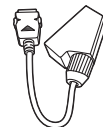
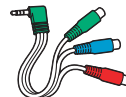
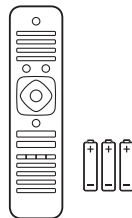
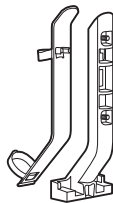
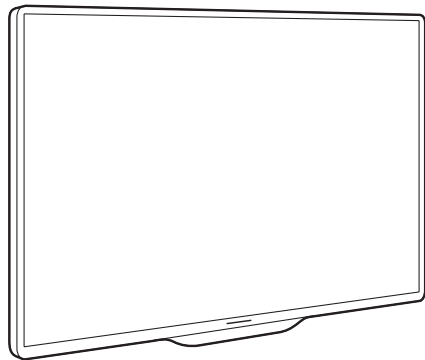


Register your product and get support at  
[www.philips.com/welcome](http://www.philips.com/welcome)

9000 series Smart LED TV

46PFL9707S

46PFL9707T

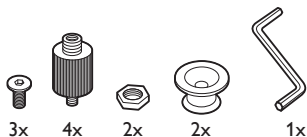


(EU)

(UK)



2x



3x

4x

2x

2x

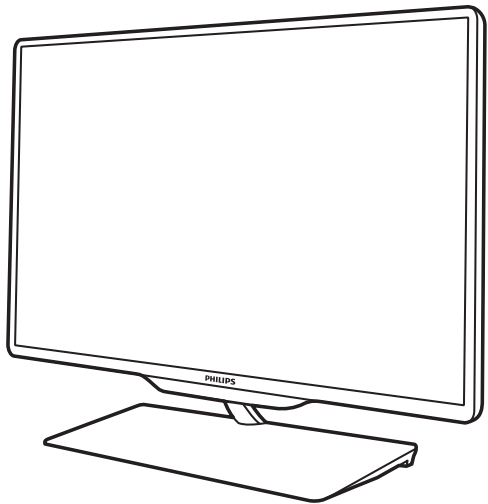
1x



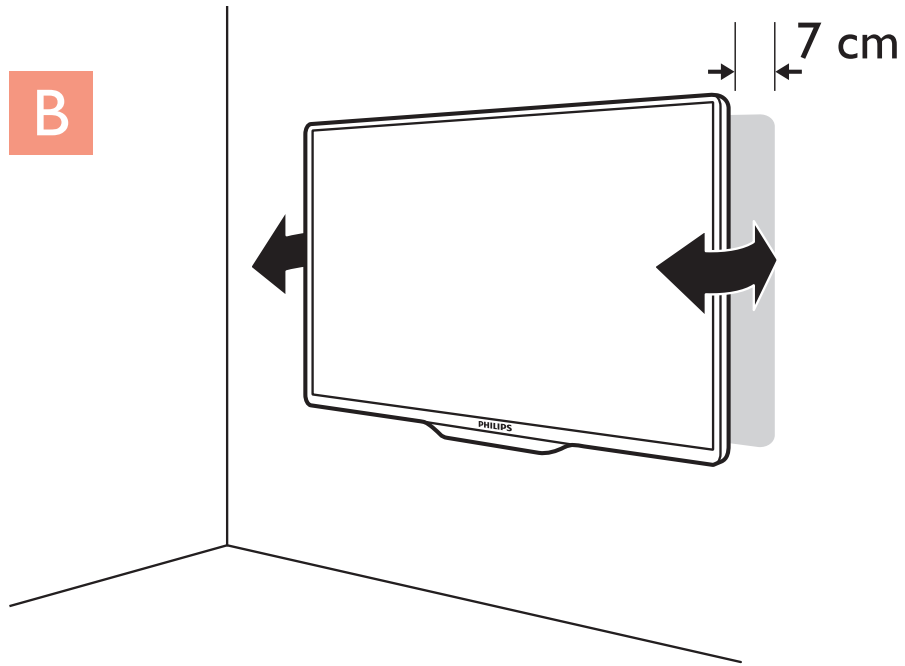
**PHILIPS**

1

A

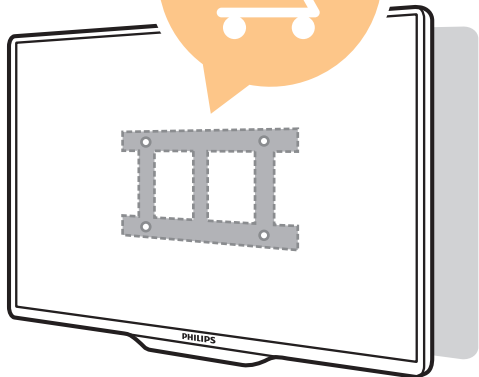
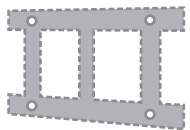


B



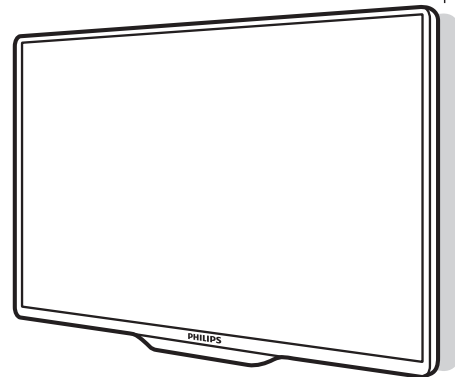
C

VESA  
300x300, M6

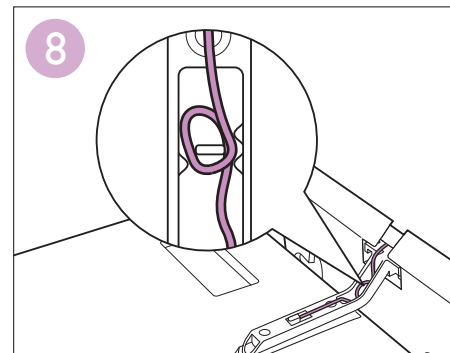
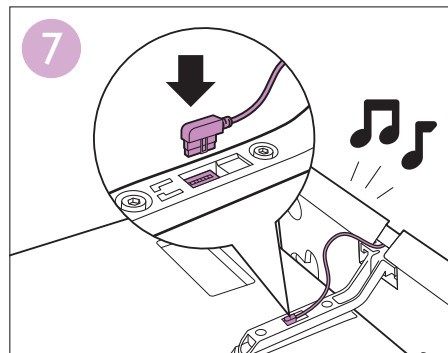
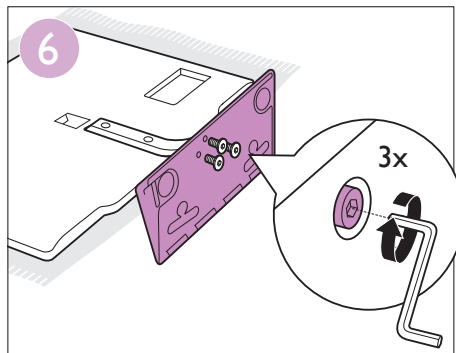
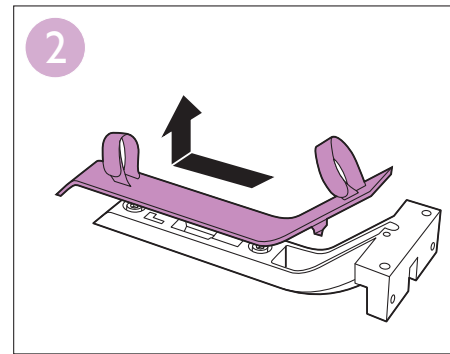
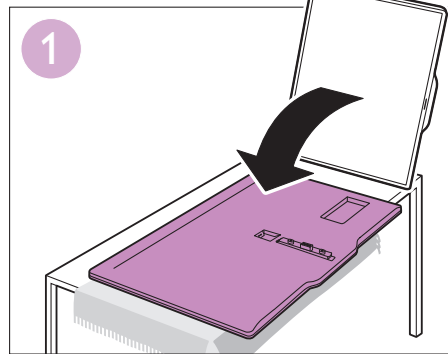
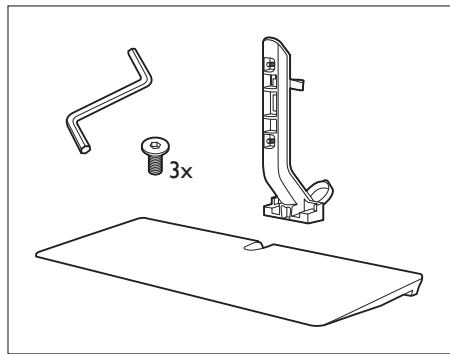
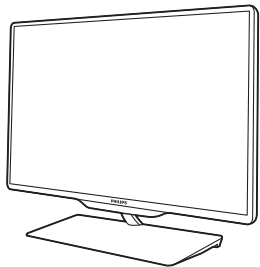


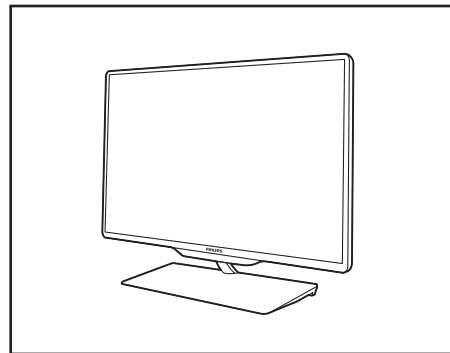
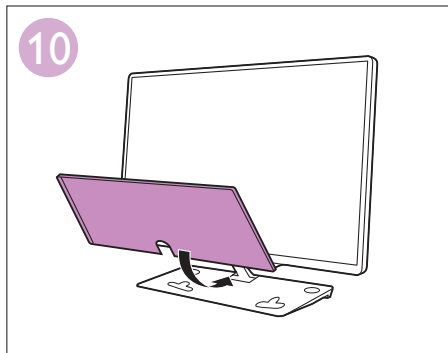
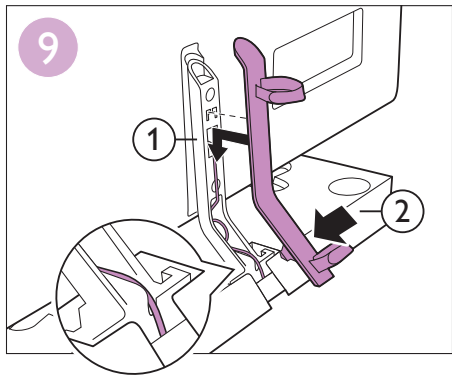
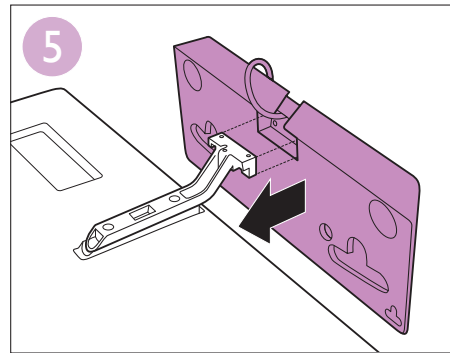
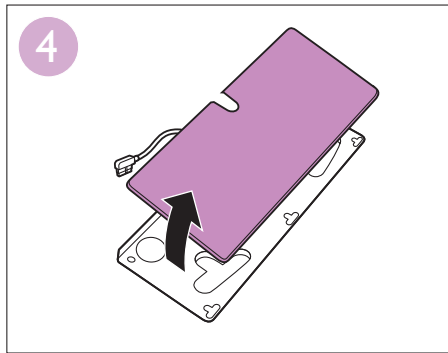
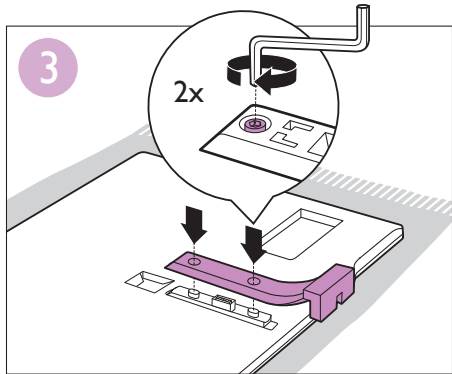
D

3 cm

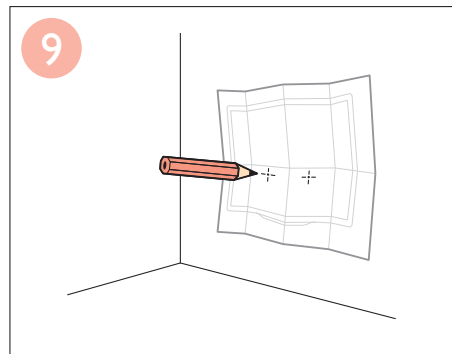
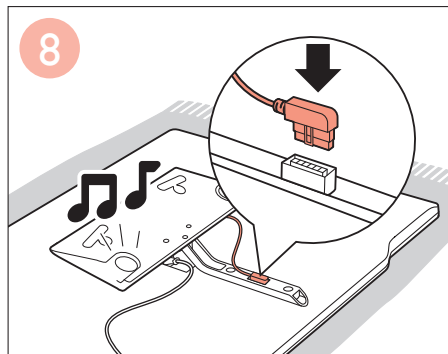
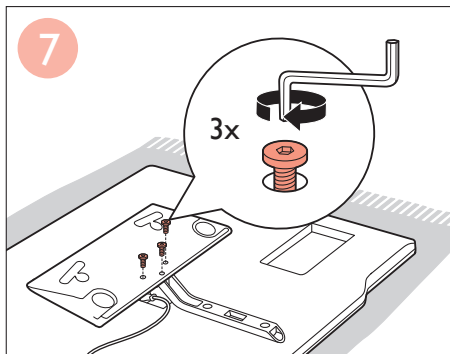
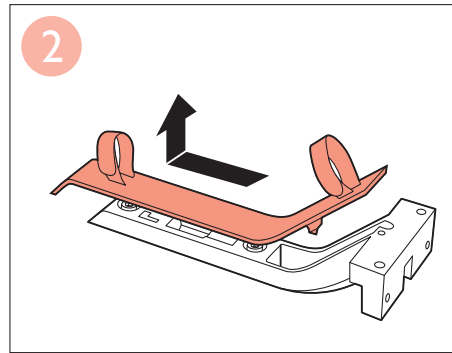
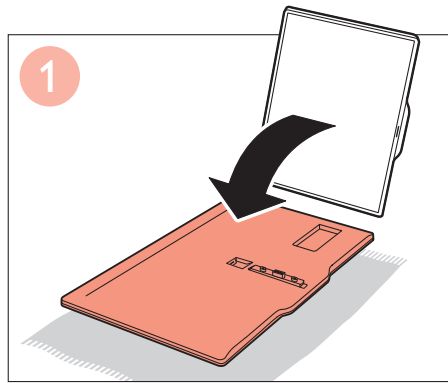
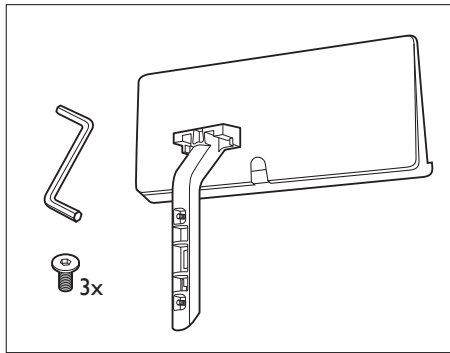
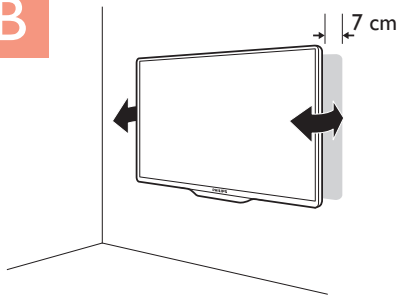


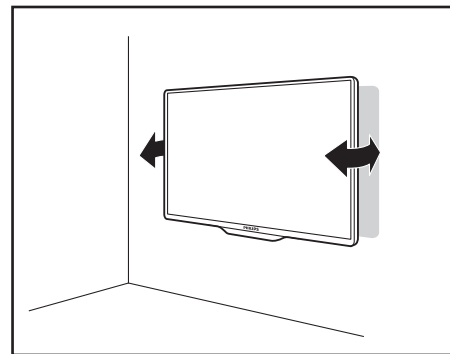
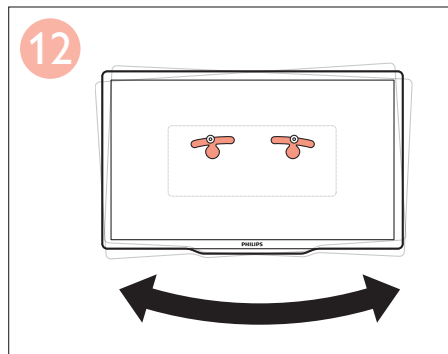
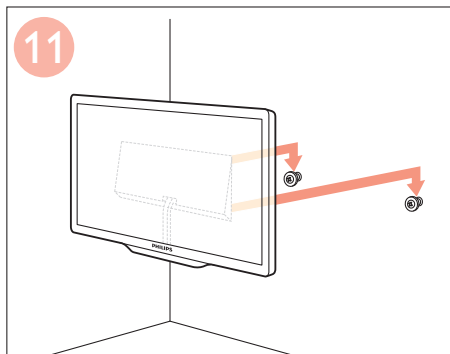
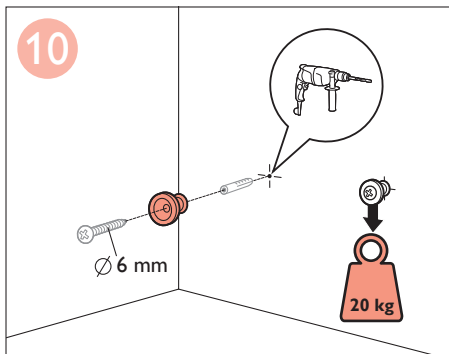
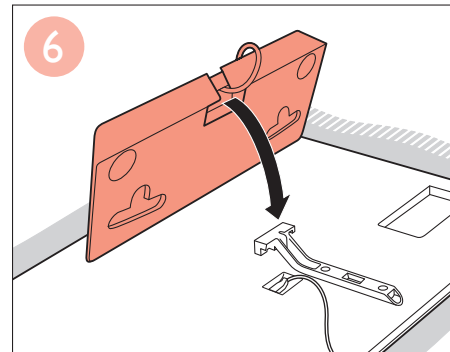
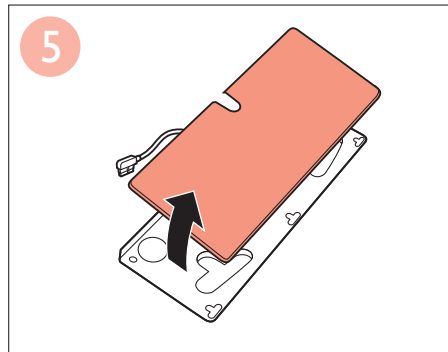
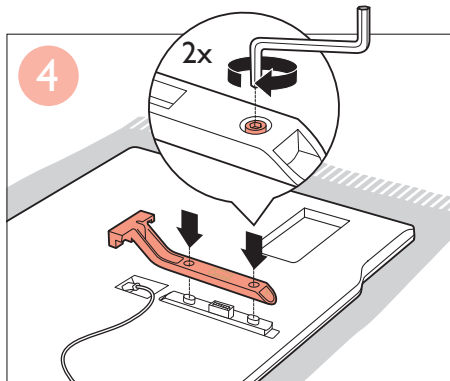
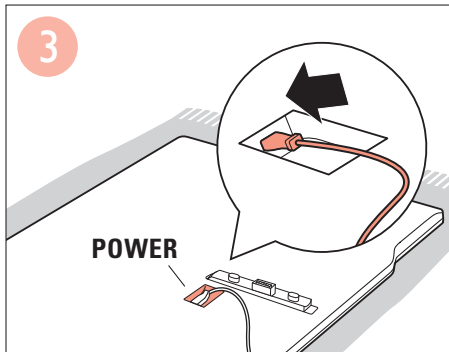
A





B

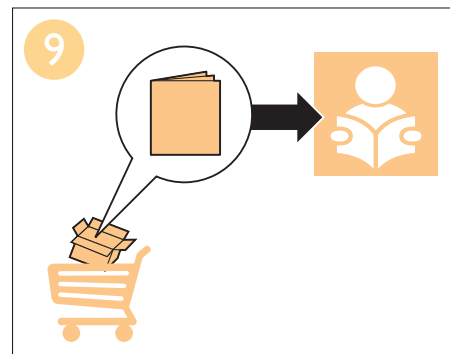
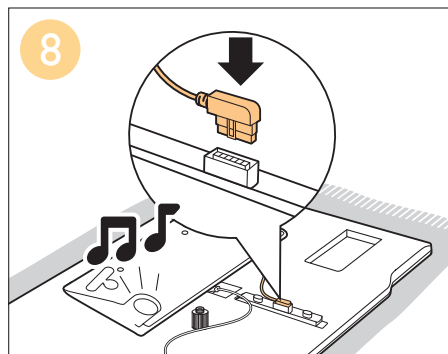
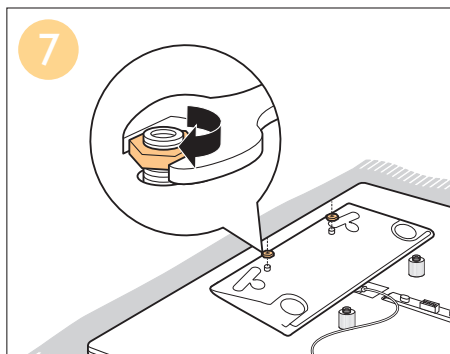
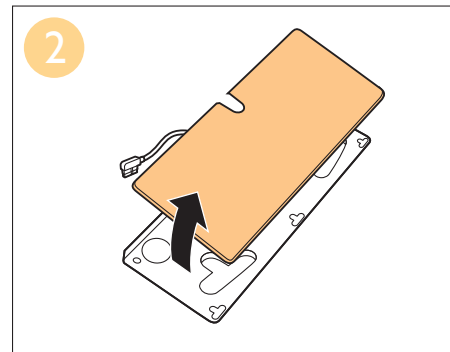
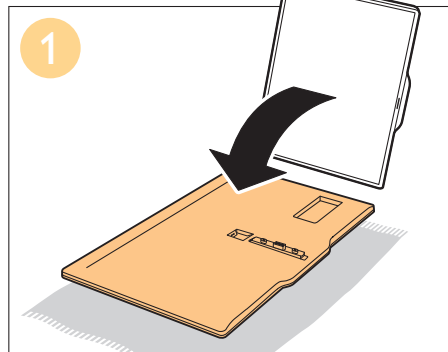
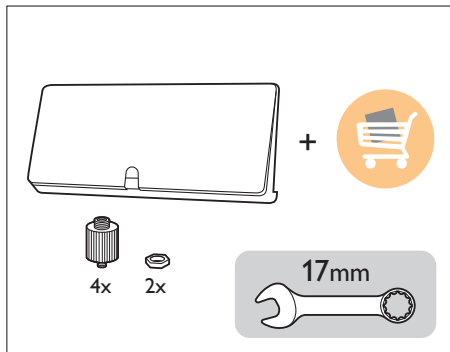




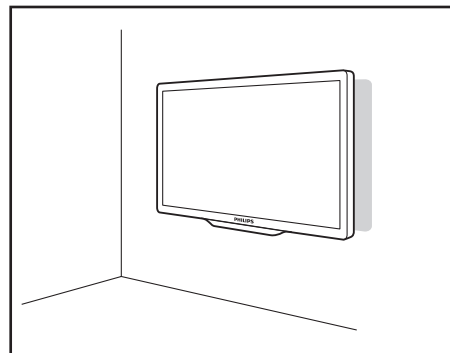
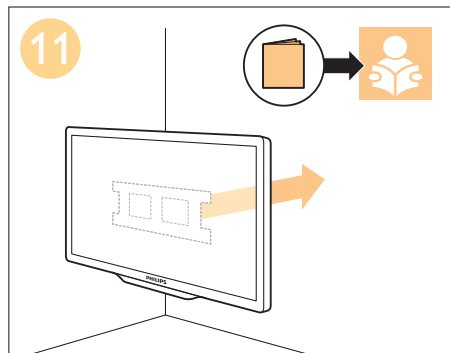
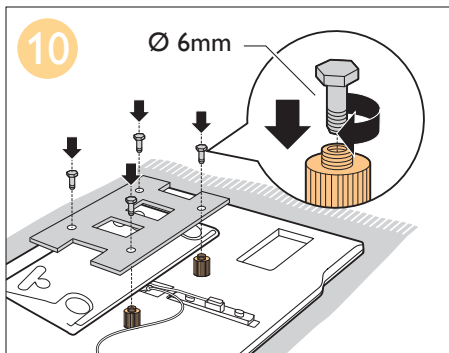
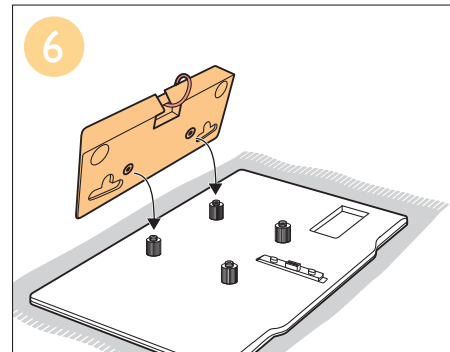
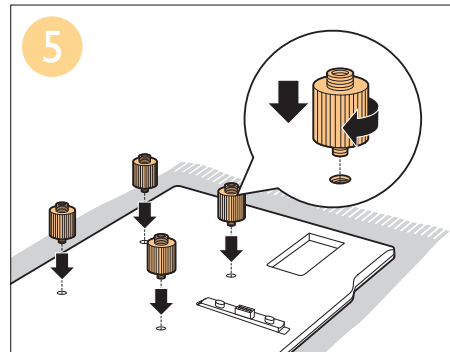
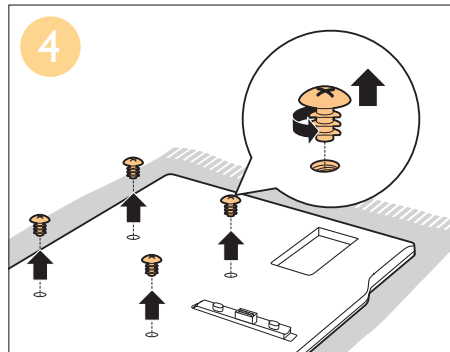
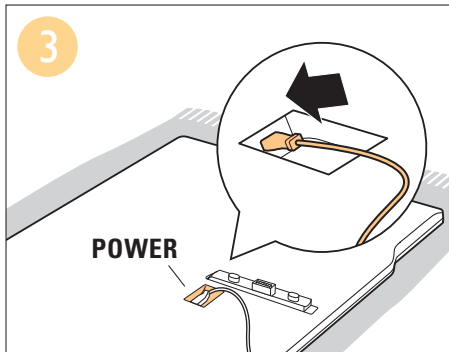
C



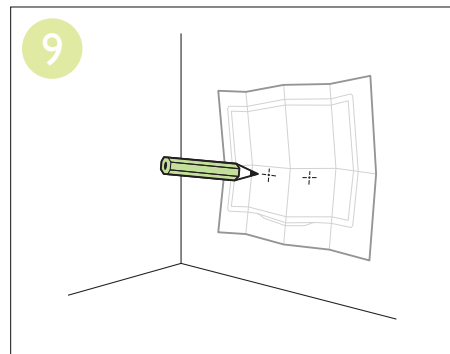
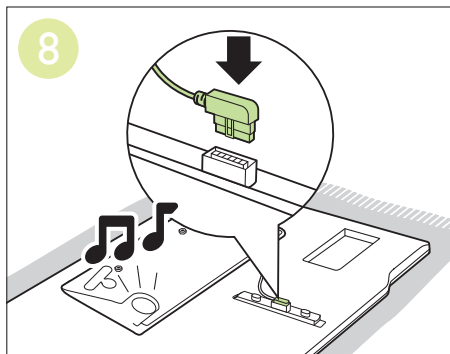
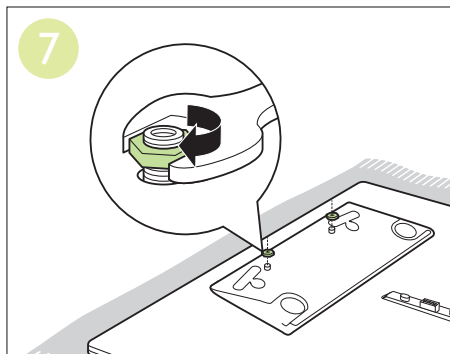
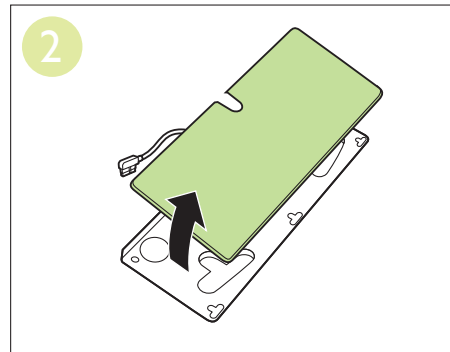
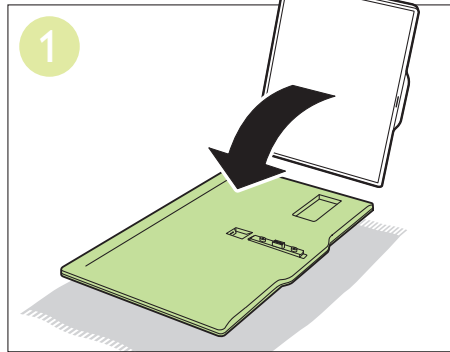
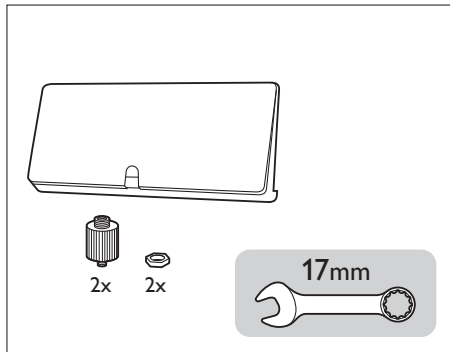
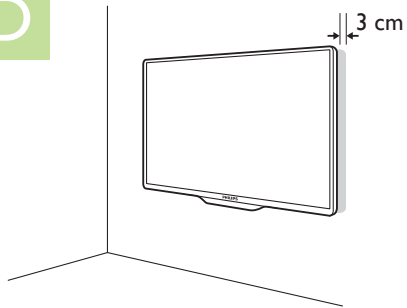
VESA  
300x300, M6

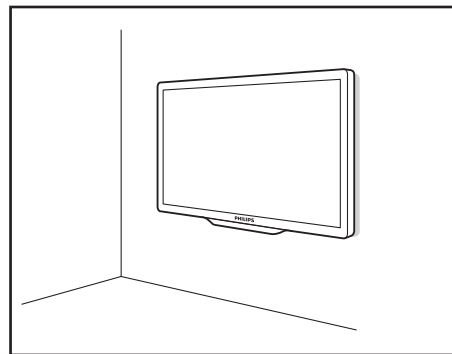
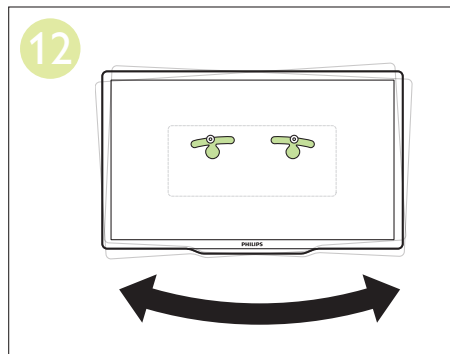
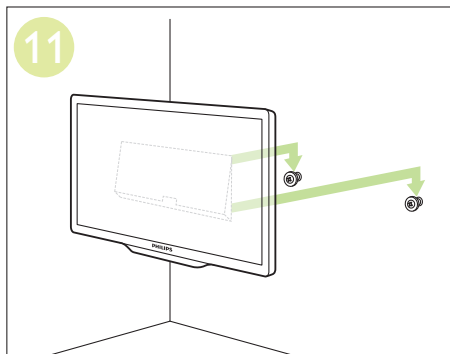
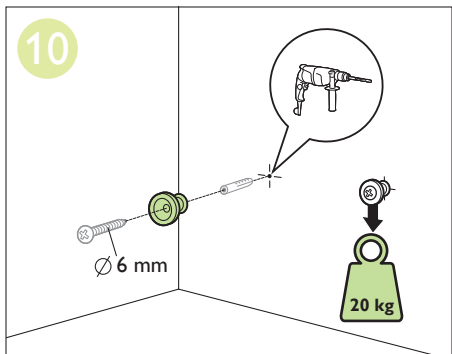
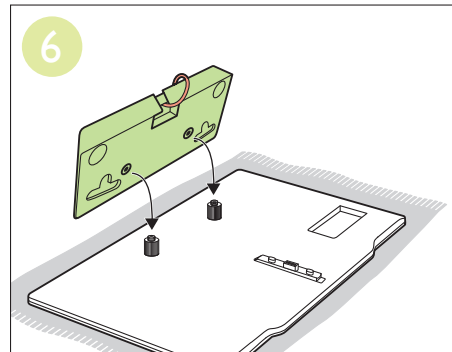
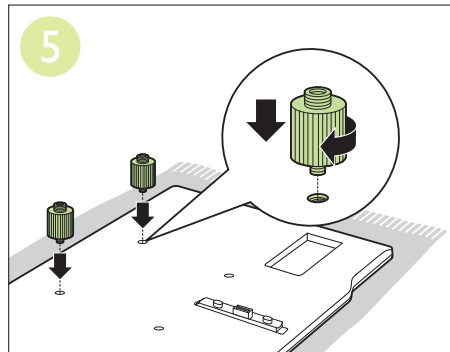
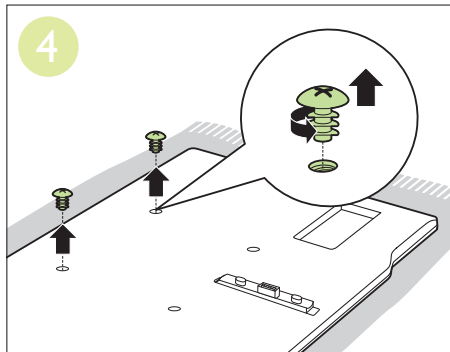
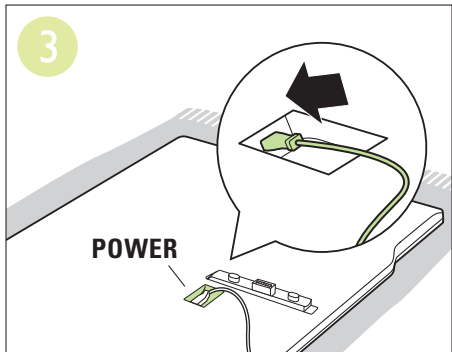




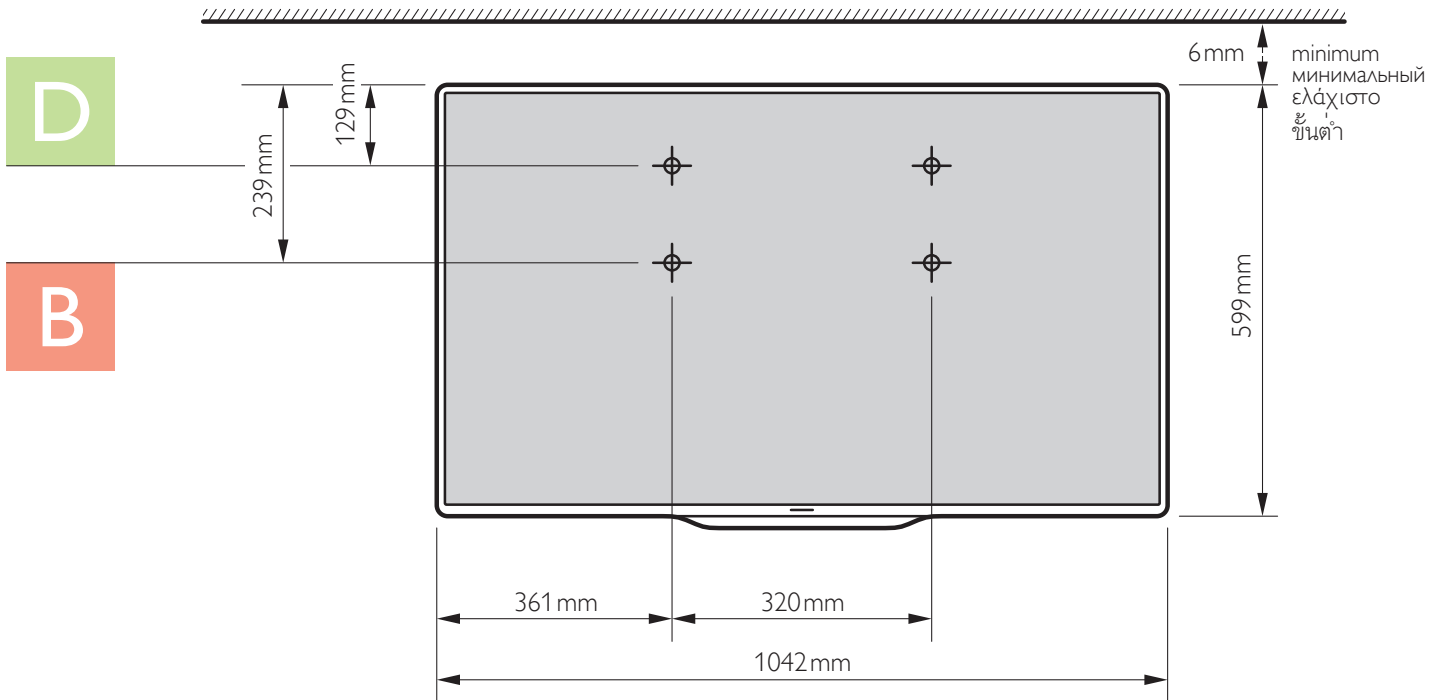
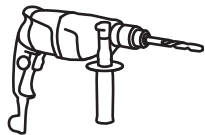


D

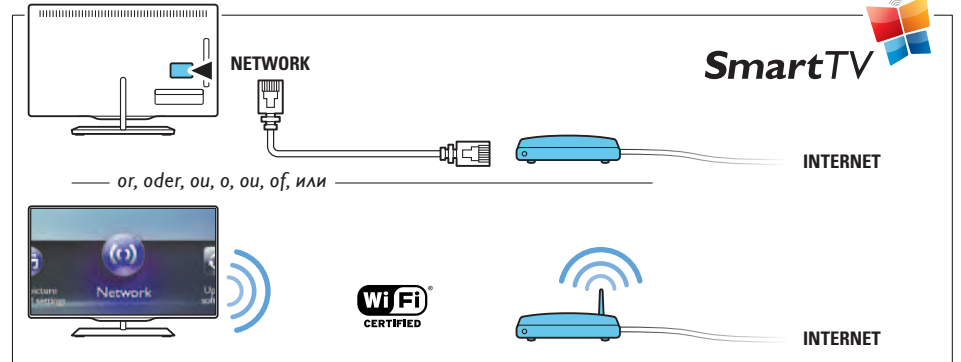
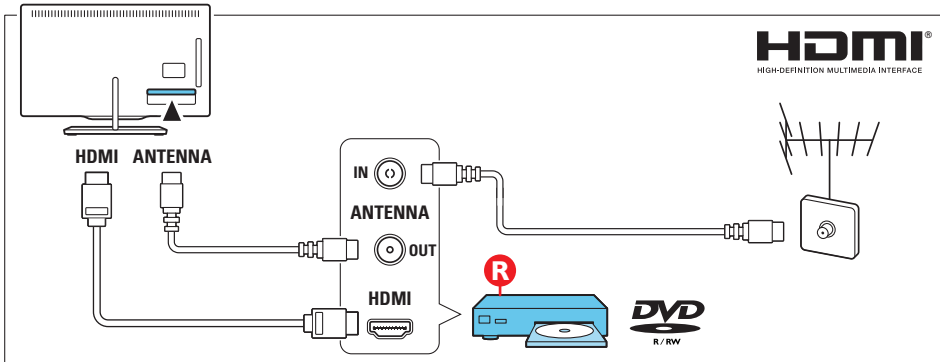
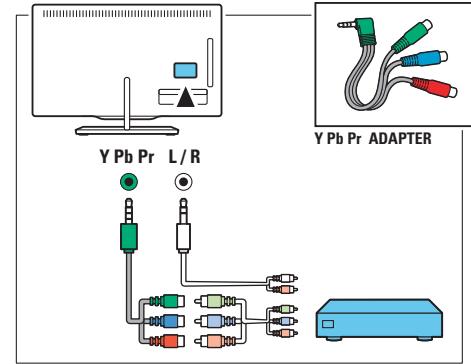
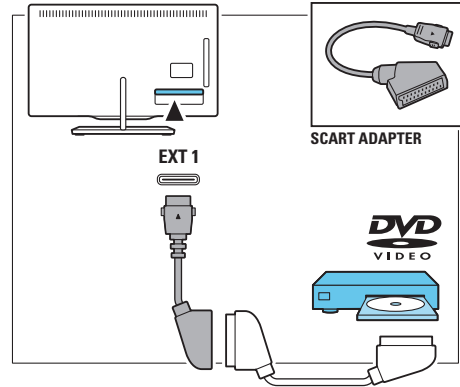
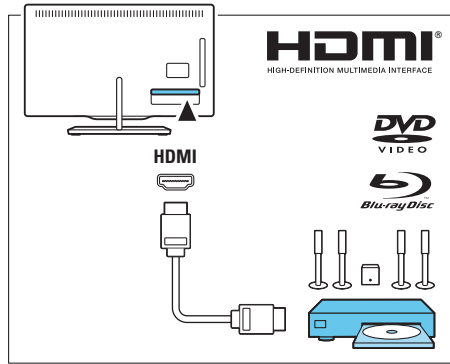


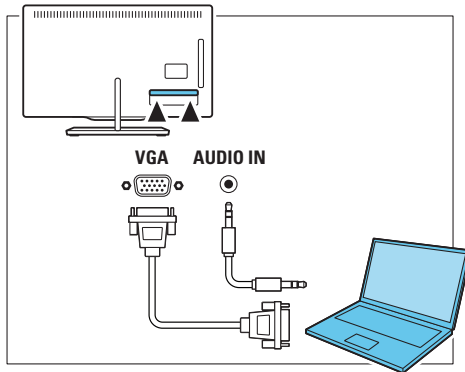
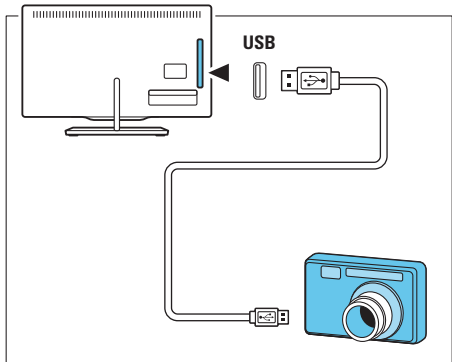
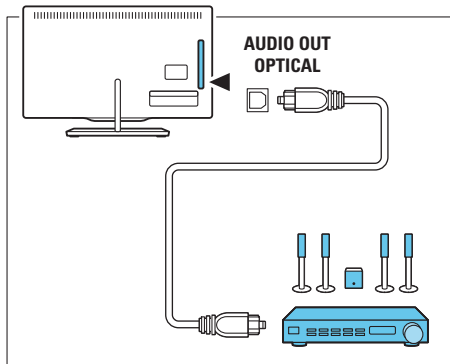
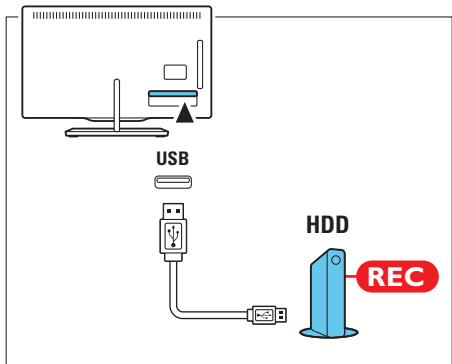


46PFL7007  
46PFL8007

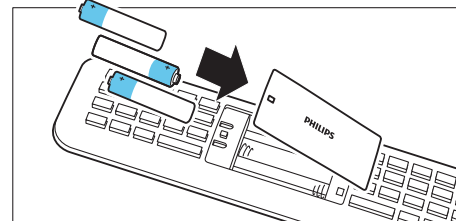
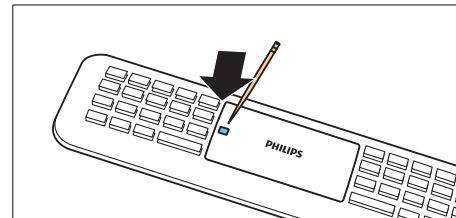


2

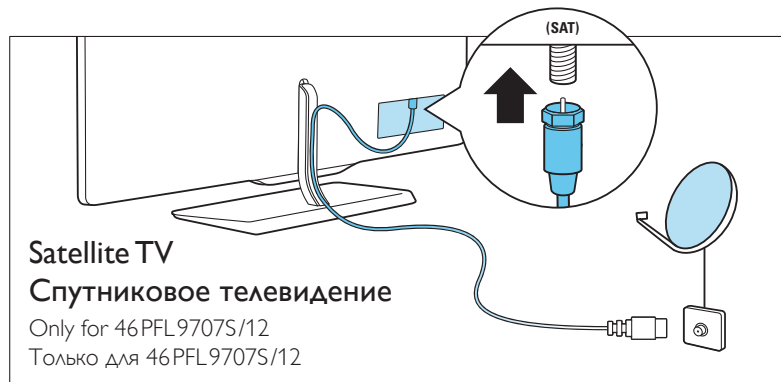
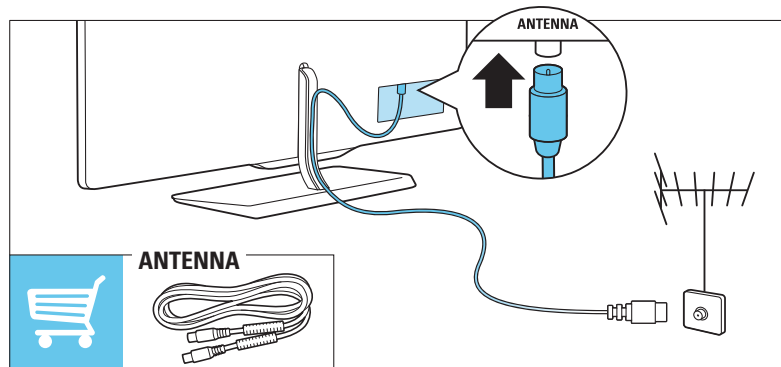




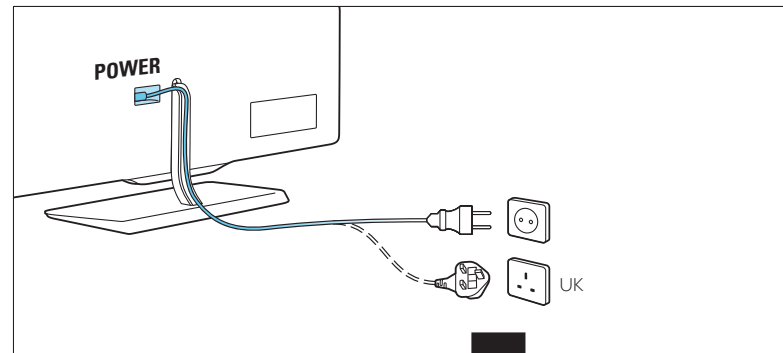
3

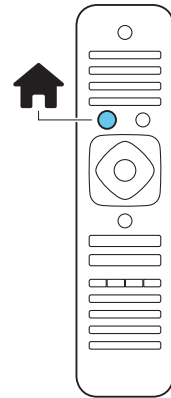


4



5





Help | Hilfe  
Aide | Guida  
Ayuda | Ajudar  
Справка



► [www.philips.com/support](http://www.philips.com/support)





**English** Safety & Warranty

**Български** Безопасност и Гаранция

**Čeština** Bezpečnost a Záruka

**Hrvatski** Sigurnost i Jamstvo

**Dansk** Sikkerhed og Garanti

**Deutsch** Sicherheit und Garantie

**Ελληνικά** Ασφάλεια και Εγγύηση

**Eesti** Ohutus ja Garantii

**Español** Seguridad y Garantía

**Français** Sécurité et Garantie

**Italiano** Sicurezza e Garanzia

**Қазақша** Қауіпсіздік - Қепілдік

**Latviešu** Drošība un Garantija

**Lietuvių** Saugumas ir Garantija

**Magyar** Biztonság és Garancia

**Nederlands** Veiligheid en Garantie

**Norsk** Sikkerhet og Garanti

**Polski** Bezpieczeństwo i Gwarancja

**Português** Segurança e Garantia

**Română** Siguranță și Garanție

**Русский** Безопасность и

Гарантировать

**Srpski** Bezbednost - Garancije

**Slovenščina** Varnost in Garancija

**Slovenský** Bezpečnosť a Záruka

**Suomi** Turvallisuus ja Takuu

**Svenska** Säkerhet och Garanti

**ภาษาไทย** ความปลอดภัยและการรับประกัน

**Türkçe** Güvenlik ve Garanti

**Українська** Безпека і Гарантія

عربي السلامة والضمان



[www.philips.com/support](http://www.philips.com/support)



Specifications are subject to change without notice.

Philips and the Philips' shield emblem are registered trademarks of Koninklijke Philips Electronics N.V.

and are used under license from Koninklijke Philips Electronics N.V.

All registered and unregistered trademarks are property of their respective owners.

2012 © TP Vision Netherlands B.V. All rights reserved.

[www.philips.com/tv](http://www.philips.com/tv)

