

User manual

Notice
d'utilisation

Microwave
Oven

Four à micro-
ondes

Contents

Safety information	2	Helpful hints and tips	8
Safety instructions	4	Care and cleaning	8
Product description	5	Troubleshooting	9
Before first use	5	Installation	10
Daily use	5	Environment concerns	11
Using the accessories	7		

Subject to change without notice.

Safety information

Before the installation and use of the appliance, carefully read the supplied instructions. The manufacturer is not responsible if an incorrect installation and use causes injuries and damages. Always keep the instructions with the appliance for future reference.

Children and vulnerable people safety

 **Warning!** Risk of suffocation, injury or permanent disability.

- This appliance can be used by children aged from 8 years and above and persons with reduced physical, sensory or mental capabilities or lack of experience and knowledge if they are supervised by an adult or a person who is responsible for their safety.
- Do not let children play with the appliance.
- Keep all packaging away from children.
- Keep children and pets away from the appliance when it operates or when it cools down. Accessible parts are hot.
- If the appliance has a child safety device, we recommend that you activate it.
- Cleaning and user maintenance shall not be made by children without supervision.
- Keep the appliance and its cord out of reach of children less than 8 years.

General Safety

- This appliance is intended to be used in household and similar applications such as:
 - staff kitchen areas in shops, offices and other working environments;
 - farm houses;

- by clients in hotels, motels and other residential environments;
- bed and breakfast type environments.
- Internally the appliance becomes hot when in operation. Do not touch the heating elements that are in the appliance. Always use oven gloves to remove or put in accessories or ovenware.
- Do not use a steam cleaner to clean the appliance.
- Before maintenance cut the power supply.
- If the door or door seals are damaged, the appliance must not be operated until it has been repaired by a competent person.
- Only a competent person can carry out any service or repair operation that involves the removal of a cover which gives protection against exposure to microwave energy.
- Do not heat liquids and other foods in sealed containers. They are liable to explode.
- Only use utensils that are suitable for use in microwave ovens.
- When heating food in plastic or paper containers, keep an eye on the appliance due to the possibility of ignition.
- The appliance is intended for heating food and beverages. Drying of food or clothing and heating of warming pads, slippers, sponges, damp cloth and similar may lead to risk of injury, ignition or fire.
- If smoke is emitted, switch off or unplug the appliance and keep the door closed in order to stifle any flames.
- Microwave heating of beverages can result in delayed eruptive boiling. Care must be taken when handling the container.
- The contents of feeding bottles and baby food jars shall be stirred or shaken and the temperature checked before consumption, in order to avoid burns.
- Eggs in their shell and whole hard-boiled eggs should not be heated in the appliance since they may explode, even after microwave heating has ended.
- The appliance should be cleaned regularly and any food deposits removed.
- Failure to maintain the appliance in a clean condition could lead to deterioration of the surface that could adversely affect the life of the appliance and possibly result in a hazardous situation.

- Pay attention to the minimum dimensions of the cabinet (if applicable). Refer to the installation chapter.
- The appliance must be operated with the decorative door open (if applicable).
- Do not use harsh abrasive cleaners or sharp metal scrapers to clean the glass door since they can scratch the surface, which may result in shattering of the glass.
- If the supply cord is damaged, it must be replaced by the manufacturer, an authorized Service or similarly qualified persons in order to avoid a hazard.



Safety instructions

Installation



Warning! Only a qualified person must install this appliance.

- Remove all the packaging.
- Do not install or use a damaged appliance.
- Obey the installation instruction supplied with the appliance.
- Always be careful when you move the appliance because it is heavy. Always wear safety gloves.
- Do not pull the appliance by the handle.
- Keep the minimum distance from the other appliances and units.
- Make sure that the appliance is installed below and adjacent safe structures.
- The sides of the appliance must stay adjacent to appliances or to units with the same height.

Electrical connection



Warning! Risk of fire and electrical shock.

- All electrical connections should be made by a qualified electrician.
- The appliance must be earthed.
- Make sure that the electrical information on the rating plate agrees with the power supply. If not, contact an electrician.
- If the appliance is connected to the socket via an extension cord, make sure the cord is earthed.
- Make sure not to cause damage to the mains plug and to the mains cable. Contact the Service or an electrician to change a damaged mains cable.

- Do not pull the mains cable to disconnect the appliance. Always pull the mains plug.

Use



Warning! Risk of injury, burns or electric shock or explosion.

- Use this appliance in a household environment.
- Do not change the specification of this appliance.
- Make sure that the ventilation openings are not blocked.
- Do not let the appliance stay unattended during operation.
- Do not apply pressure on the open door.
- Do not use the appliance as a work surface and do not use the cavity for storage purposes.

Care and Cleaning



Warning! Risk of injury, fire or damage to the appliance.

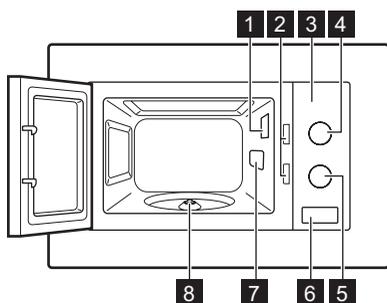
- Before maintenance, deactivate the appliance and disconnect the mains plug from the mains socket.
- Clean regularly the appliance to prevent the deterioration of the surface material.
- Do not allow food spills or cleaner residue to accumulate on door sealing surfaces.
- Remaining fat or food in the appliance can cause fire.
- Clean the appliance with a moist soft cloth. Only use neutral detergents. Do not use abrasive products, abrasive cleaning pads, solvents or metal objects.
- If you use an oven spray, obey the safety instructions on the packaging.

Disposal

 **Warning!** Risk of injury or suffocation.

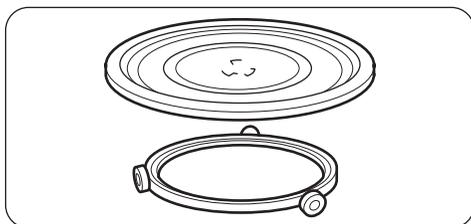
- Disconnect the appliance from the mains supply.
- Cut off the mains cable and discard it.

Product description



- 1** Lamp
- 2** Safety interlock system
- 3** Control panel
- 4** Power setting knob
- 5** Timer knob
- 6** Door opener
- 7** Waveguide cover
- 8** Turntable shaft

Accessories



Turntable set

Glass cooking tray and roller guide.

 Always use the turntable set to prepare food in the appliance.

Before first use

 **Warning!** Refer to the Safety chapters.

Initial Cleaning

- Remove all parts from the appliance.

- Clean the appliance before first use.

Important! Refer to chapter "Care and Cleaning".

Daily use

 **Warning!** Refer to the Safety chapters.

Activating and deactivating the appliance

1. Turn the power setting knob to select a power setting.
2. Turn the timer knob to set a time, this automatically activates the appliance.
3. To deactivate the appliance you can:

- wait until the appliance deactivates automatically when the timer knob reaches the **0** position.
- turn the timer knob to the **0** position.
- push the door opener. The appliance stops automatically. Close the door to continue cooking. Use this option to inspect the food. When the timer knob reaches the **0** position an acoustic signal sounds.

 **Caution!** Do not let the appliance operate when there is no food in it.

General information about using the appliance

General:

- After you deactivate the appliance, let the food stand for some minutes.
- Remove the aluminium foil packaging, metal containers, etc. before you prepare the food.

Cooking:

- If possible, cook food covered with material suitable for use in the microwave. Only cook food without a cover if you want to keep it crusty
- Do not overcook the dishes by setting the power and time too high. The food can dry out, burn or catch fire in some places.
- Do not use the appliance to cook eggs or snails in their shells, because they can explode. With fried eggs, pierce the yolks first.
- Prick food with "skin" or "peel", such as potatoes, tomatoes, sausages, with a fork several times before cooking so that the food does not explode.
- For chilled or frozen food, set a longer cooking time.
- Dishes which contain sauce must be stirred from time to time.
- Vegetables that have a firm structure, such as carrots, peas or cauliflower, must be cooked in water.
- Turn larger pieces after half of the cooking time.
- If possible, cut vegetables into similar-sized pieces.
- Use flat, wide dishes.
- Do not use cookware made of porcelain, ceramic or earthenware with small holes, e. g. on handles or un-

glazed bottoms. Moisture going into the holes can cause the cookware to crack when it is heated.

- The glass cooking tray is a work space for heating food or liquids. It is necessary for the operation of the microwave.

Defrosting meat, poultry, fish:

- Put the frozen, unwrapped food on a small upturned plate with a container below it so that the defrosting liquid collects in the container.
- Turn the food after half of the defrosting time. If possible, divide and then remove the pieces that started to defrost.

Defrosting butter, portions of gâteau, quark:

- Do not fully defrost the food in the appliance, but let it defrost at room temperature. This gives a more even result. Fully remove all metal or aluminium packaging before defrosting.

Defrosting fruit, vegetables:

- Do not fully defrost fruit and vegetables, which are to be further prepared while raw, in the appliance. Let them defrost at room temperature.
- You can use a higher microwave power to cook fruit and vegetables without defrosting them first.

Ready meals:

- You can prepare ready meals in the appliance only if their packaging is suitable for microwave use.
- You must follow the manufacturer's instructions printed on the packaging (e.g. remove the metal cover and pierce the plastic film).

Suitable cookware and materials

Cookware / Material	Microwave		
	Defrosting	Heating	Cooking
Ovenproof glass and porcelain (with no metal components, e.g. Pyrex, heat-proof glass)	X	X	X
Non-ovenproof glass and porcelain ¹⁾	X	--	--
Glass and glass ceramic made of ovenproof / frost-proof material (e.g. Arcoflam), grill shelf	X	X	X
Ceramic ²⁾ , earthenware ²⁾	X	X	X

Cookware / Material	Microwave		
	Defrosting	Heating	Cooking
Heat-resistant plastic up to 200 °C ³⁾	X	X	X
Cardboard, paper	X	--	--
Clingfilm	X	--	--
Roasting film with microwave safe closure ³⁾	X	X	X
Roasting dishes made of metal, e.g. enamel, cast iron	--	--	--
Baking tins, black lacquer or silicon-coated ³⁾	--	--	--
Baking tray	--	--	--
Browning cookware, e.g. Crisp pan or Crunch plate	--	X	X
Ready meals in packaging ³⁾	X	X	X

1) With no silver, gold, platinum or metal plating / decorations

2) Without quartz or metal components, or glazes which contain metals

3) You must follow the manufacturer's instructions about the maximum temperatures.

X suitable

-- not suitable

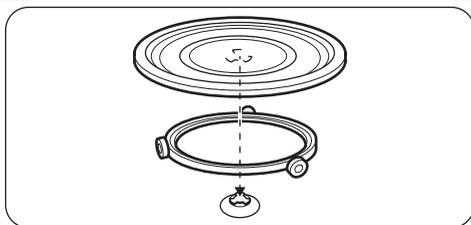
Power setting table

Symbol	Power setting	Power
	Low Stage	119 W
	Medium Low / Defrost	231 W
	Medium	385 W
	Medium High	539 W
	High	700 W

Using the accessories

 **Warning!** Refer to the Safety chapters.

Inserting the turntable set



1. Place the roller guide around the turntable shaft.
2. Place the glass cooking tray on the roller guide

Caution! Do not cook food without the turntable set. Use only the turntable set provided with the appliance.

i Never cook food directly on the glass cooking tray.

Helpful hints and tips

Tips for the microwave

Problem	Remedy
You cannot find details for the amount of food prepared.	Look for a similar food. Increase or shorten the length of the cooking times according to the following rule: Double the amount = almost double the time, Half the amount = half the time
The food got too dry.	Set shorter cooking time or select lower microwave power.
The food is not defrosted, hot or cooked after the time came to an end.	Set longer cooking time or set higher power. Note that large dishes need longer time.
After the cooking time comes to an end, the food is overheated at the edge but is still not ready in the middle.	Next time set a lower power and a longer time. Stir liquids half-way through, e.g. soup.

To get better results for rice use a flat, wide dish.

Defrosting

Always defrost roast with the fat side down.

Do not defrost covered meat because this may cause cooking instead of defrosting.

Always defrost whole poultry breast side down.

Cooking

Always remove chilled meat and poultry from the refrigerator at least 30 minutes before cooking.

Let the meat, poultry, fish and vegetables stay covered after cooking.

Brush a little oil or melted butter over the fish.

Add 30 - 45 ml of cold water for every 250 g of vegetables. Cut the fresh vegetables into even size pieces before cooking. Cook all vegetables with a cover on the container.

Reheating

When you reheat packed ready meals always follow the instruction written on the packaging.

Care and cleaning

Warning! Refer to the Safety chapters.

Notes on cleaning:

- Clean the front of the appliance with a soft cloth with warm water and a cleaning agent.
- To clean metal surfaces, use a usual cleaning agent.
- Clean the appliance interior after each use. Then you can remove dirt more easily and it does not burn on.
- Clean stubborn dirt with a special cleaner.

- Clean all accessories regularly and let them dry. Use a soft cloth with warm water and a cleaning agent.
- To soften the hard to remove remains, boil a glass of water at full microwave power for 2 to 3 minutes.
- To remove odours, mix a glass of water with 2 tsp of lemon juice and boil at full microwave power for 5 minutes.

Troubleshooting

 **Warning!** Refer to the Safety chapters.

Problem	Possible cause	Remedy
The appliance does not operate.	The appliance is deactivated.	Activate the appliance.
The appliance does not operate.	The appliance is not plugged in.	Plug in the appliance.
The appliance does not operate.	The fuse in the fuse box is blown.	Check the fuse. If the fuse blows more than one time, contact a qualified electrician.
The appliance does not operate.	The door is not closed properly.	Make sure that nothing blocks the door.
The lamp does not operate.	The lamp is defective.	The lamp has to be replaced.
There is sparking in the cavity.	There are metal dishes or dishes with metal trim.	Remove the dish from the appliance.
There is sparking in the cavity.	There are metal skewers or aluminium foil that touches the interior walls.	Make sure that the skewers and foil does not touch the interior walls.
The turntable set makes scratching or grinding noise.	There is an object or dirt below the glass cooking tray.	Clean the area below the glass cooking tray.
The appliance stop to operate without a clear reason.	There is a malfunction.	If this situation repeats call the customer service center.

If you cannot find a solution to the problem yourself, contact your dealer or the customer service centre.

The necessary data for the customer service center is on the rating plate on the appliance.

We recommend that you write the data here:

Model (MOD.)

Product number (PNC)

Serial number (S.N.)

Installation

-  **Warning!** Refer to the Safety chapters.
-  **Caution!** Do not block the air vents. If you do that, the appliance can overheat.
-  **Caution!** Do not connect the appliance to adapters or extension leads. This can cause overloading and risk of fire.

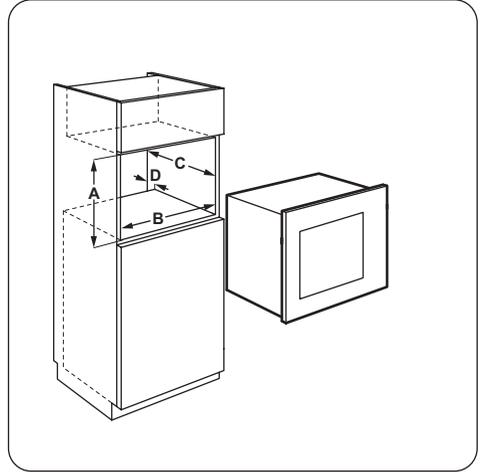
- The appliance is for built-in use only.
- The fitted cabinet must not have a back wall behind the appliance.
- Put the appliance far away from steam, hot air and water splashes.
- If you transport the appliance in cold weather, do not activate it immediately after the installation. Let it stand in the room temperature and absorb the heat.

Electrical installation

-  **Warning!** Only a qualified person must do the electrical installation.
-  The manufacturer is not responsible if you do not follow the safety precautions from the chapter "Safety Information".

This appliance is supplied with a main cable and main plug.

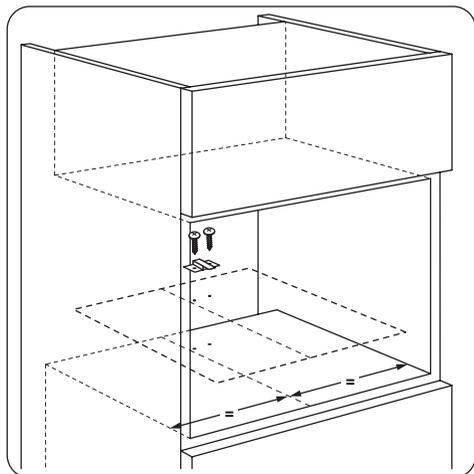
-  **Caution!** Minimum installation height is 85 cm.
1. Check if the dimensions of the furniture meet the installation distances.



Installation distances

Dimension	mm
A	380 + 2
B	560 + 8
C	300 - 550
D	18

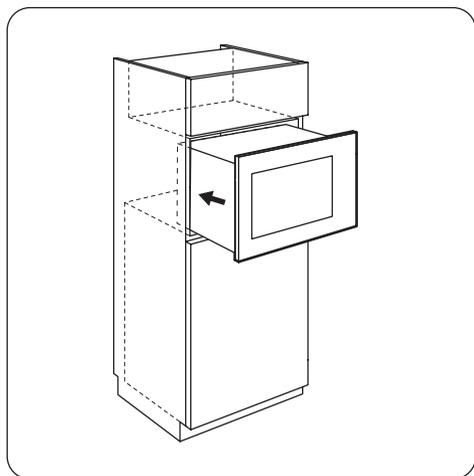
2. If the cabinet depth is over 300 mm, put the template on the bottom of cabinet and check if it fits. If yes, mark the spots for screws. Remove the template and fix the bracket with the screws.



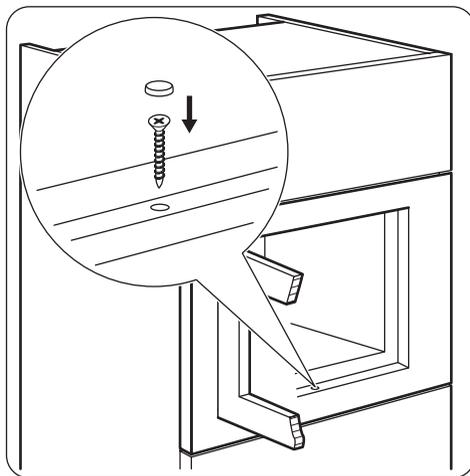
i Skip this step if the cabinet depth is 300 mm.

3. Install the appliance.

i If you fixed the bracket, make sure it locks the back of the appliance.



4. Open the door and fix the appliance to the cabinet with screw.



Environment concerns

Recycle the materials with the symbol ♻️. Put the packaging in applicable containers to recycle it. Help protect the environment and human health and to recycle waste of electrical and electronic appliances. Do not dispose appliances marked with the symbol  with

the household waste. Return the product to your local recycling facility or contact your municipal office.



Packaging material

The packaging material is environmentally-friendly and recyclable. Plastic parts are marked with interna-

tional abbreviations such as PE, PS, etc. Dispose of the packaging material in the containers provided for this purpose at your local waste management facility.

Sommaire

Consignes de sécurité	13	Conseils utiles	20
Instructions de sécurité	15	Entretien et nettoyage	21
Description de l'appareil	16	En cas d'anomalie de fonctionnement	21
Avant la première utilisation	17	Installation	22
Utilisation quotidienne	17	En matière de protection de l'environnement	23
Utilisation des accessoires	19		

Sous réserve de modifications.

Consignes de sécurité

Avant d'installer et d'utiliser cet appareil, lisez soigneusement les instructions fournies. Le fabricant ne peut être tenu pour responsable des dommages et blessures liés à une mauvaise installation ou utilisation. Conservez toujours cette notice avec votre appareil pour vous y référer ultérieurement.

Sécurité des enfants et des personnes vulnérables

 **Avertissement** Risque d'asphyxie, de blessure ou d'invalidité permanente.

- Cet appareil peut être utilisé par des enfants de plus de 8 ans, ainsi que des personnes dont les capacités physiques, sensorielles et mentales sont réduites ou dont les connaissances et l'expérience sont insuffisantes, à condition d'être surveillés par une personne responsable de leur sécurité.
- Ne laissez pas les enfants jouer avec l'appareil.
- Ne laissez pas les emballages à la portée des enfants.
- Tenez les enfants et les animaux éloignés de l'appareil lorsqu'il est en cours de fonctionnement ou lorsqu'il refroidit. Les parties accessibles sont chaudes.
- Si l'appareil est équipé d'un dispositif de sécurité enfants, nous vous recommandons de l'activer.
- Les enfants ne doivent pas nettoyer ni entreprendre une opération de maintenance sur l'appareil sans surveillance.
- L'appareil et son cordon d'alimentation doivent être conservés hors de portée des enfants âgés de moins de 8 ans.

Sécurité générale

- Cet appareil est conçu uniquement pour un usage domestique et des situations telles que :

- dans des cuisines réservées aux employés dans des magasins, bureaux et autres lieux de travail ;
 - des bâtiments de ferme ;
 - par les clients, dans des hôtels et autres lieux de séjour ;
 - en chambre d'hôtes.
- L'intérieur de l'appareil devient chaud lorsqu'il est en fonctionnement. Ne touchez pas les éléments chauffants se trouvant dans l'appareil. Utilisez toujours des gants de cuisine pour retirer ou enfourner des accessoires ou des plats allant au four.
 - N'utilisez pas de nettoyeur vapeur pour nettoyer l'appareil.
 - Avant toute opération de maintenance, déconnectez l'alimentation électrique.
 - Si la porte ou les joints de la porte sont endommagés, vous ne devez pas utiliser l'appareil tant qu'il n'a pas été réparé par un professionnel qualifié.
 - Toute opération de maintenance ou réparation nécessitant le retrait d'un des caches assurant la protection contre les micro-ondes ne doit être confiée qu'à un professionnel qualifié.
 - Ne faites pas chauffer de liquides ou d'autres aliments dans des récipients hermétiquement fermés. Ils pourraient exploser.
 - N'utilisez que des ustensiles adaptés à une utilisation dans un four à micro-ondes.
 - Lorsque vous faites cuire des aliments dans des récipients en plastique ou en papier, surveillez toujours l'appareil car ces matières peuvent s'enflammer.
 - Cet appareil est uniquement destiné à chauffer des aliments et des boissons. L'utiliser pour sécher des aliments ou des vêtements, ou pour faire chauffer des compresses chauffantes, des chaussons, des éponges, des tissus humides ou autres pourrait provoquer des blessures ou un incendie.
 - En présence de fumée, éteignez ou débranchez l'appareil et laissez la porte fermée pour étouffer les flammes.
 - Si vous chauffez des boissons au micro-ondes, celles-ci peuvent entrer en ébullition après être sorties de l'appareil. Soyez prudent lorsque vous manipulez le récipient.

- Mélangez ou remuez le contenu des biberons et des petits pots pour bébés, puis vérifiez la température avant de nourrir votre enfant afin d'éviter les brûlures.
- Les œufs dans leur coquille et les œufs durs entiers ne doivent pas être chauffés dans l'appareil car ils pourraient exploser, même après la fin de la cuisson.
- Nettoyez régulièrement l'appareil et retirez-en les résidus alimentaires.
- Si vous ne nettoyez pas régulièrement l'appareil, sa surface peut se détériorer, ce qui pourrait réduire sa durée de vie et provoquer des situations dangereuses.
- Faites attention aux dimensions minimales du meuble (le cas échéant). Reportez-vous au chapitre « Installation ».
- L'appareil doit être mis en marche avec la porte décorative du meuble ouverte (si présente).
- N'utilisez pas de produits abrasifs ni de racloirs pointus en métal pour nettoyer la porte en verre car ils peuvent rayer sa surface, ce qui peut briser le verre.
- Si le câble d'alimentation est endommagé, il ne doit être remplacé que par un professionnel qualifié afin d'éviter tout danger.



Instructions de sécurité

Installation



Avertissement L'appareil doit être installé uniquement par un professionnel qualifié.

- Retirez l'intégralité de l'emballage.
- N'installez pas et ne branchez pas un appareil endommagé.
- Suivez scrupuleusement les instructions d'installation fournies avec l'appareil.
- L'appareil est lourd, prenez toujours des précautions lorsque vous le déplacez. Portez toujours des gants de sécurité.
- Ne tirez jamais l'appareil par la poignée.
- Respectez l'espacement minimal requis par rapport aux autres appareils.

- Vérifiez que l'appareil est installé sous et à proximité de structures sûres.
- Les côtés de l'appareil doivent rester à côté d'appareils ou d'éléments ayant la même hauteur.

Branchement électrique



Avertissement Risque d'incendie ou d'électrocution.

- L'ensemble des branchements électriques doit être effectué par un technicien qualifié.
- L'appareil doit être relié à la terre.
- Vérifiez que les données électriques figurant sur la plaque signalétique correspondent à celles de votre réseau. Si ce n'est pas le cas, contactez un électricien.

- Si l'appareil est branché à la prise murale en utilisant une rallonge électrique, assurez-vous qu'elle est reliée à la terre.
- Veillez à ne pas endommager la fiche secteur ni le câble d'alimentation. Contactez le service après-vente ou un électricien pour remplacer le câble d'alimentation s'il est endommagé.
- Ne tirez jamais sur le câble d'alimentation pour débrancher l'appareil. Tirez toujours sur la fiche.

Utilisation

⚠ Avertissement Risque de blessures, de brûlures, d'électrocution ou d'explosion.

- Utilisez cet appareil dans un environnement domestique.
- Ne modifiez pas les caractéristiques de cet appareil.
- Assurez-vous que les orifices de ventilation ne sont pas bouchés.
- Ne laissez jamais l'appareil sans surveillance pendant son fonctionnement.
- N'exercez jamais de pression sur la porte ouverte.
- N'utilisez jamais l'appareil comme plan de travail, ni la cavité comme un espace de rangement.

Entretien et nettoyage

⚠ Avertissement Risque de blessure corporelle, d'incendie ou de dommage matériel à l'appareil.

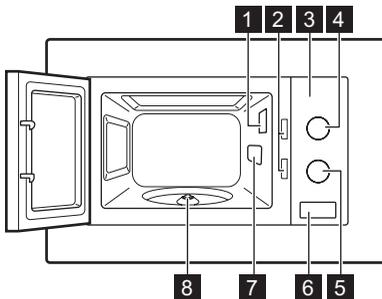
- Avant toute opération d'entretien, éteignez l'appareil et débranchez la fiche de la prise secteur.
- Nettoyez régulièrement l'appareil afin de maintenir le revêtement en bon état.
- Ne laissez pas les résidus alimentaires ou de produits nettoyants s'accumuler sur les joints de la porte.
- Des graisses ou de la nourriture restant dans l'appareil peuvent provoquer un incendie.
- Nettoyez l'appareil avec un chiffon doux humide. Utilisez uniquement des produits de lavage neutres. N'utilisez pas de produits abrasifs, de tampons à récurer, de solvants ni d'objets métalliques.
- Si vous utilisez un spray pour four, suivez les consignes de sécurité figurant sur l'emballage.

Mise au rebut

⚠ Avertissement Risque de blessure ou d'asphyxie.

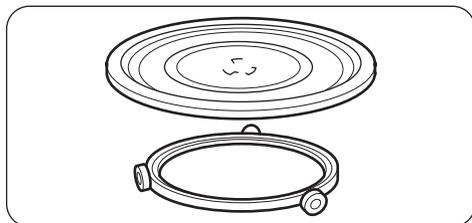
- Débranchez l'appareil de l'alimentation électrique.
- Coupez le câble d'alimentation et mettez-le au rebut.

Description de l'appareil



- 1 Éclairage
- 2 Système d'interverrouillage de sécurité
- 3 Bandeau de commande
- 4 Manette de réglage de la puissance
- 5 Manette du minuteur
- 6 Bouton d'ouverture de la porte
- 7 Couvercle de guide d'ondes
- 8 Axe du plateau tournant

Accessoires



Ensemble du plateau tournant

Plateau de cuisson en verre et support à roulettes.

- i** Utilisez toujours l'ensemble du plateau tournant pour cuire des aliments dans l'appareil.

Avant la première utilisation

- !** **Avertissement** Reportez-vous aux chapitres concernant la sécurité.

Premier nettoyage

- Retirez tous les accessoires de l'appareil.

- Nettoyez l'appareil avant de l'utiliser pour la première fois.

Important Reportez-vous au chapitre « Entretien et nettoyage ».

Utilisation quotidienne

- !** **Avertissement** Reportez-vous aux chapitres concernant la sécurité.

Activation et désactivation de l'appareil

- Tournez la manette de réglage de la puissance pour sélectionner la puissance.
- Tournez la manette du minuteur pour sélectionner une durée ; cela met automatiquement l'appareil en marche.
- Pour éteindre l'appareil, vous pouvez :
 - attendre qu'il s'éteigne automatiquement lorsque la manette du minuteur atteint la position **0**.
 - tourner la manette du minuteur jusqu'à la position **0**.
 - appuyer sur le bouton d'ouverture de la porte. L'appareil s'arrête automatiquement. Refermez la porte pour poursuivre la cuisson. Choisissez cette option si vous souhaitez simplement surveiller la cuisson des aliments.

Lorsque la manette du minuteur atteint la position **0**, un signal sonore retentit.

- !** **Attention** Ne faites pas fonctionner l'appareil à vide.

Informations générales sur le fonctionnement de l'appareil

Généralités :

- Après avoir éteint l'appareil, laissez reposer les aliments pendant quelques minutes.
- Retirez les emballages en aluminium, les récipients en métal, etc. avant de préparer les aliments.

Cuisson :

- Si possible, cuisinez les aliments en les couvrant avec un ustensile d'une matière adaptée à l'utilisation au micro-ondes. Ne cuisinez les aliments sans les couvrir que si vous souhaitez conserver leur croustillant.
- Ne cuisez pas trop les plats en réglant une puissance ou une durée trop élevées. Les aliments peuvent se dessécher, brûler ou prendre feu.
- N'utilisez pas l'appareil pour cuisiner des œufs ou des escargots dans leur coquille car ils peuvent exploser. Pour les œufs sur le plat, percez d'abord les jaunes.
- Piquez plusieurs fois les aliments couverts d'une « peau », comme les pommes de terre, les tomates ou les saucisses, avec une fourchette avant de les cuire afin qu'ils n'explorent pas.

- Pour les aliments congelés ou les plats surgelés, régler un temps de cuisson plus long.
- Les plats contenant de la sauce doivent être remués de temps en temps.
- Les légumes fermes tels que les carottes, les petits pois ou le chou-fleur doivent être cuits dans l'eau.
- Retournez les grosses pièces à la moitié du temps de cuisson.
- Si possible, coupez les légumes en morceaux de même taille.
- Utilisez des plats larges et à fond plat.
- N'utilisez pas d'ustensile de cuisine en porcelaine, en céramique ou en faïence avec de petits trous, par exemple sur les poignées ou dans le fond. L'humidité s'infiltrerait dans les trous et peut causer un craquement de l'ustensile de cuisine lorsqu'il chauffe.
- Le plateau de cuisson en verre permet de chauffer des aliments ou des liquides. Il est nécessaire au fonctionnement du four à micro-ondes.

Décongélation de viande, volaille, poisson :

- Posez l'aliment surgelé sans emballage sur une petite assiette retournée, puis placez un récipient dessous pour recueillir l'eau de décongélation.
- Retournez les aliments à la moitié du temps de décongélation. Si possible, séparez puis retirez les morceaux ayant commencé à décongeler.

Décongélation de beurre, de morceaux de gâteau, de fromage :

- Ne décongelez pas ces aliments entièrement dans l'appareil mais laissez-les décongeler à température ambiante. Cela vous assure un résultat plus homogène. Retirez tout emballage en métal ou en aluminium avant la décongélation.

Décongélation de fruits et légumes :

- Ne décongelez pas entièrement dans l'appareil les fruits et légumes devant être préparés crus. Laissez-les décongeler à température ambiante.
- Vous pouvez utiliser une puissance de micro-ondes plus élevée pour cuire les fruits et légumes sans les décongeler.

Plats préparés :

- Vous pouvez cuire des plats préparés dans l'appareil, uniquement si leur emballage est adapté à une utilisation dans un four à micro-ondes.
- Vous devez suivre les instructions imprimées sur l'emballage (par exemple « Retirez le couvercle en métal et percez le film plastique »).

Ustensiles de cuisine et matériaux compatibles

Ustensile de cuisine/matériaux	Micro-ondes		
	Décongélation	Chauffage	Cuisson
Verre et porcelaine allant au four (ne contenant aucun composant métallique, par exemple le Pyrex, le verre résistant à la chaleur)	X	X	X
Verre et porcelaine n'allant pas au four ¹⁾	X	--	--
Verre et vitrocéramique composés d'un matériau allant au four/résistant au gel (par exemple l'Arcoflam), grille	X	X	X
Céramique ²⁾ , faïence ²⁾	X	X	X
Plastique résistant à une chaleur de 200 °C ³⁾	X	X	X
Carton, papier	X	--	--
Film étirable	X	--	--

Ustensile de cuisine/matériaux	Micro-ondes		
	Décongélation	Chauffage	Cuisson
Sachet de cuisson avec fermeture de sûreté pour micro-ondes ³⁾	X	X	X
Plats à rôtis composés de métal, par exemple en émail ou en fonte	--	--	--
Moules, laqués noirs ou revêtement en silicone ³⁾	--	--	--
Plateau de cuisson	--	--	--
Ustensiles de cuisine pour dorer, par exemple plat « Crisp » ou plateau « Crunch »	--	X	X
Plats préparés et emballés ³⁾	X	X	X

1) Sans placage/décoration en argent, or, platine ou métal

2) Sans composants en quartz ou en métal ou avec un revêtement contenant du métal

3) Vous devez suivre les instructions du fabricant concernant les températures maximales.

X compatible

-- non compatible

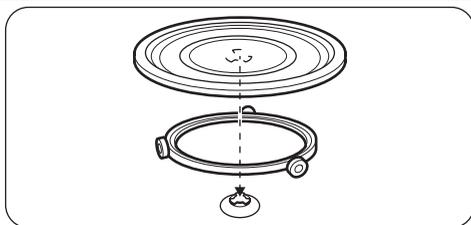
Tableau des réglages de puissance

Symbole	Réglage de la puissance	Puissance
	Faible	119 W
	Moyennement faible / Décongélation	231 W
	Moyenne	385 W
	Moyennement élevée	539 W
	Élevée	700 W

Utilisation des accessoires

 **Avertissement** Reportez-vous aux chapitres concernant la sécurité.

Installation de l'ensemble du plateau tournant



1. Placez le support à roulettes autour de l'axe du plateau tournant.
2. Posez le plateau de cuisson en verre sur le support à roulettes

⚠ Attention Ne cuisez pas les aliments sans l'ensemble du plateau tournant. N'utilisez que l'ensemble du plateau tournant fourni avec l'appareil.

i Ne cuisez jamais les aliments directement sur le plateau de cuisson en verre.

Conseils utiles

Conseils pour le micro-ondes

Problème	Solution
Vous ne trouvez pas les détails pour la quantité de nourriture préparée.	Recherchez un aliment similaire. Diminuez ou rallongez le temps de cuisson selon la règle suivante : Double quantité = presque le double de temps Moitié de la quantité = moitié du temps
La nourriture a trop séché.	Réduisez le temps de cuisson ou sélectionnez une puissance de micro-ondes plus basse.
La nourriture n'est pas décongelée, chaude ou cuite à la fin du temps défini.	Rallongez le temps de cuisson ou sélectionnez une puissance plus élevée. Veuillez noter que les plats de grande taille ont besoin de plus de temps.
Une fois la durée de cuisson écoulée, les aliments sont trop cuits sur les bords mais ne sont pas prêts au centre.	La prochaine fois, diminuez la puissance et allongez le temps. Remuez les liquides à la moitié du temps, par exemple la soupe.

Pour de meilleurs résultats, cuisez le riz dans un récipient plat et large.

Décongélation

Décongelez toujours les rôtis avec le côté gras vers le bas.

Ne couvrez pas la viande pour la décongeler car elle risquerait de cuire.

Décongelez toujours la volaille entière poitrail vers le bas.

Cuisson

Sortez toujours la viande et la volaille froides du réfrigérateur au moins 30 minutes avant de les cuire.

Après la cuisson, laissez reposer la viande, la volaille ou les légumes en les couvrant.

Huiliez ou beurrez légèrement le poisson.

Pour cuire des légumes, ajoutez 30 à 45 ml d'eau froide par tranche de 250 g. Coupez les légumes frais en morceaux de même taille avant de les cuire. Faites chauffer tous les légumes en couvrant le récipient.

Réchauffage

Lorsque vous réchauffez des plats cuisinés emballés, suivez toujours les instructions figurant sur l'emballage.

Entretien et nettoyage

 **Avertissement** Reportez-vous aux chapitres concernant la sécurité.

Remarques concernant le nettoyage :

- Nettoyez la façade de l'appareil à l'aide d'une éponge humide additionnée d'eau savonneuse.
- Utilisez un produit courant destiné au nettoyage des surfaces en métal.
- Nettoyez l'intérieur de l'appareil après chaque utilisation. Les salissures s'éliminent alors plus facilement et ne risquent pas de brûler.
- En cas de salissures importantes, nettoyez à l'aide de produits de nettoyage spécifiques.

- Nettoyez régulièrement tous les accessoires et laissez-les sécher. Utilisez un chiffon doux additionné d'eau chaude savonneuse.
- Pour ramollir les résidus alimentaires secs, faites bouillir un verre d'eau à pleine puissance de micro-ondes pendant 2 ou 3 minutes.
- Pour éliminer les odeurs, versez 2 cuillères à café de jus de citron dans un verre d'eau, puis faites bouillir ce mélange à pleine puissance de micro-ondes pendant 5 minutes.

En cas d'anomalie de fonctionnement

 **Avertissement** Reportez-vous aux chapitres concernant la sécurité.

Problème	Cause probable	Solution
L'appareil ne fonctionne pas.	L'appareil est éteint.	Allumez l'appareil.
L'appareil ne fonctionne pas.	L'appareil n'est pas branché.	Branchez l'appareil.
L'appareil ne fonctionne pas.	Le fusible dans la boîte à fusibles a disjoncté.	Vérifiez le fusible. Si le fusible disjoncte de manière répétée, faites appel à un électricien qualifié.
L'appareil ne fonctionne pas.	La porte n'est pas fermée correctement.	Assurez-vous que rien ne bloque la porte.
L'éclairage ne fonctionne pas.	L'éclairage est défectueux.	L'ampoule doit être remplacée.
Des étincelles jaillissent dans la cavité.	Vous avez placé des plats en métal ou ayant des éléments en métal dans l'appareil.	Retirez le plat de l'appareil.
Des étincelles jaillissent dans la cavité.	Des brochettes en métal ou du papier d'aluminium touchent les parois intérieures.	Assurez-vous que les brochettes et le papier d'aluminium ne touchent pas les parois intérieures.
L'ensemble du plateau tournant émet un grincement.	Il y a un objet ou de la salissure sous le plateau de cuisson en verre.	Nettoyez le dessous du plateau de cuisson en verre.
L'appareil s'arrête de fonctionner sans raison apparente.	Une anomalie de fonctionnement s'est produite.	Si cette situation se reproduit, contactez le service après-vente.

Si vous ne trouvez pas de solution au problème, veuillez contacter votre revendeur ou le service après-vente.

Les informations à fournir au service après-vente figurent sur la plaque signalétique.

Nous vous recommandons de noter ces informations ici :

Modèle (MOD.)

.....

Référence du produit (PNC)

.....

Numéro de série (S.N.)

.....

Installation

- ⚠ Avertissement** Reportez-vous aux chapitres concernant la sécurité.
- ⚠ Attention** Ne bloquez pas les aérations. Cela pourrait provoquer une surchauffe de l'appareil.
- ⚠ Attention** L'appareil ne doit pas être raccordé à l'aide d'un prolongateur, d'une prise multiple ou d'un raccordement multiple. Cela pourrait provoquer une surchauffe et un incendie.

- Cet appareil est uniquement destiné à être utilisé encastré.
- Veillez à ce qu'il n'y ait pas de paroi au fond de la niche d'encastrement, à l'arrière de l'appareil.
- Éloignez le plus possible l'appareil de la vapeur, de l'air chaud et des projections d'eau.
- Si vous devez transporter l'appareil par temps froid, ne l'allumez pas immédiatement après l'installation. Laissez-le atteindre la température de la pièce et absorber la chaleur.

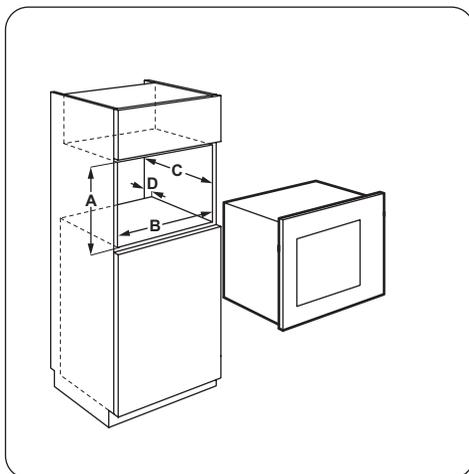
Installation électrique

- ⚠ Avertissement** Le branchement électrique doit être confié à un électricien qualifié.
- i** Le fabricant ne pourra être tenu pour responsable si vous ne respectez pas les précautions de sécurité du chapitre « Consignes de sécurité ».

Cet appareil est fourni avec un câble d'alimentation et une fiche d'alimentation.

- ⚠ Attention** La hauteur d'installation minimale est de 85 cm.

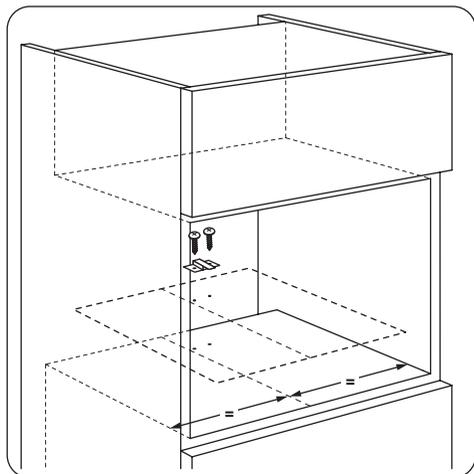
1. Vérifiez que les dimensions du meuble respectent les distances d'installation.



Distances d'installation

Dimensions	mm
A	380 + 2
B	560 + 8
C	300 - 550
D	18

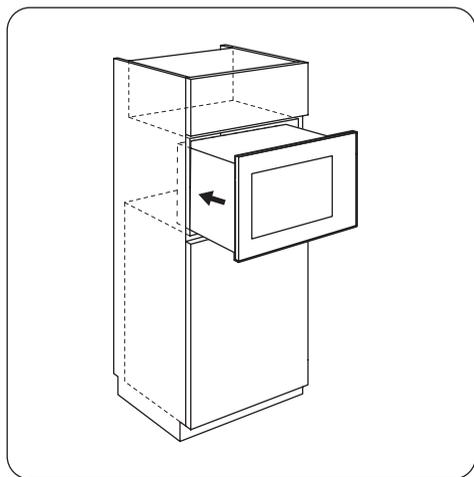
2. Si la profondeur du meuble est supérieure à 300 mm, placez le gabarit dans le meuble pour voir si ses dimensions conviennent. Si oui, faites une marque pour indiquer l'emplacement des vis. Retirez le gabarit et vissez le support.



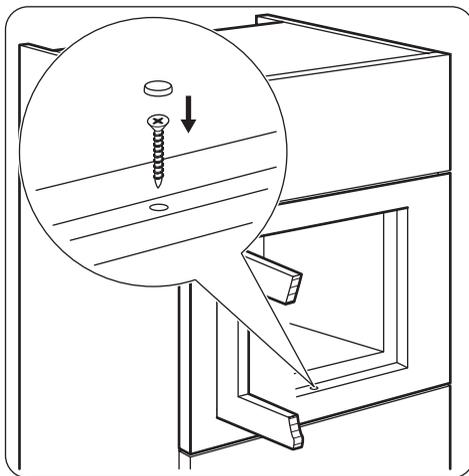
i Ignorez cette étape si la profondeur du meuble est inférieure à 300 mm.

3. Installez l'appareil.

i Si vous avez vissé le support, veillez à ce qu'il bloque l'arrière de l'appareil pour l'empêcher de reculer.



4. Ouvrez la porte et fixez l'appareil au meuble à l'aide d'une vis.



En matière de protection de l'environnement

Recyclez les matériaux portant le symbole ♻️. Déposez les emballages dans les conteneurs prévus à cet effet. Contribuez à la protection de l'environnement et à votre sécurité, recyclez vos produits électriques et

électroniques. Ne jetez pas les appareils portant le symbole 🗑️ avec les ordures ménagères. Emmenez un tel produit dans votre centre local de recyclage ou contactez vos services municipaux.



Matériau d'emballage

Les matériaux d'emballage sont conçus dans le respect de l'environnement et sont recyclables. Les piè-

ces en plastique sont marquées d'abréviations internationales telles que PE, PS, etc. Jetez les emballages dans les conteneurs de la commune prévus à cet effet.



www.electrolux.com/shop

