



**REFRIGERATOR
LÓDÓWKA**

REFRIGERATEUR

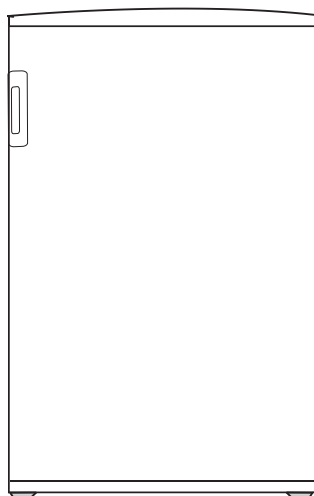
Hűtőgép

CHLADNIČKA

ХОЛОДИЛЬНИК

FRIGIDER

USER'S MANUAL



INSTRUCTION MANUAL

Please read this instruction booklet carefully before using your Candy fridge

BEFORE USING THE APPLIANCE

Your new appliance is designed exclusively for domestic use.

To ensure best use of your appliance, carefully read the operating instructions which contain a description of the appliance and advice on storing and preserving food. Keep this handbook for future reference.

1. After unpacking the appliance, make sure it is not damaged and that the door closes properly. Any damage must be reported to the dealer within 24 hours of delivery of the appliance.
2. Wait at least two hours before switching the appliance on, in order to ensure that the refrigerant circuit is fully efficient.
3. Make sure installation and the electrical connection are carried out by a qualified technician according to the manufacturer's instructions and in compliance with the local safety regulations.
4. Clean the inside of the appliance before using it.

BEFORE USING THE APPLIANCE


1. Packing

The packing material is 100% recyclable and bears the recycling symbol. Comply with the local regulations for disposal. Keep the packing materials (plastic bags, polystyrene parts, etc.) out of the reach of children, as they are a potential source of danger.

2. Scrapping/Disposal

The appliance is manufactured using recyclable material.

This appliance is marked in compliance with European Directive 2002/96/EC on Waste Electrical and Electronic Equipment (WEEE). By ensuring the correct scrapping of this appliance, you can help prevent potentially negative consequences for the environment and the health of persons.

The symbol  on the appliance, or on the accompanying documents, indicates that this appliance should not be treated as domestic waste but must be taken to a suitable collection centre for the recycling of electrical and electronic equipment. When scrapping the appliance, make it unusable by cutting off the power cable and removing the doors and shelves so that children cannot easily climb inside. Scrap the appliance in compliance with local regulations on waste disposal, taking it to a special collection centre; do not leave the appliance unattended even for a few days, since it is a potential source of danger for children. For further information on the treatment, recovery and recycling of this appliance, contact your competent local office, the household waste collection service or the shop where you purchased the appliance.

Information:

This appliance does not contain CFC (the refrigerant circuit contains R134a) or HFC (the refrigerant circuit contains R600a) (refer to the rating plate inside the appliance).

Appliances with isobutane (R600a): Isobutane is a natural gas without environmental impact but is flammable. Therefore, make sure the refrigerant circuit pipes are not damaged.

Declaration of conformity

This appliance is intended for storing food and is manufactured in conformity with European regulation (EC) No. 1935/2004.



- This product has been designed, manufactured and marketed in compliance with:
 - the safety objectives of Low Voltage Directive 73/23/EEC;
 - the protection requirements of "EMC" Directive 89/336/EEC, amended by Directive 93/68/EEC.
- Electrical safety of the appliance is guaranteed only if it is connected to an efficient and approved earthing system.



IMPORTANT SAFETY INSTRUCTIONS

These warnings are provided in the interests of your safety. Ensure that you understand Them all before installing or using this appliance. Your safety is of paramount importance. If you are unsure about any of the meanings or these warnings contact the Customer Care Department.

Installation

- This appliance is heavy. Care should be taken when moving it.
- It is dangerous to alter the specifications or attempt to modify this product in any way.
- Ensure that the appliance does not stand on the electrical supply cable. If the supply cord is damaged, it must be replaced by a special cord available from your local Service Force Centre.
- Any electrical work required to install this appliance should be carried out by a qualified electrician or competent person.
- Parts which heat up should not be exposed. Whenever possible, the back of the appliance should be close to a wall but leaving the required distance for ventilation as stated in the installation instructions.
- The appliance should be left for 2 hours after installation before it is turned on, in order to allow the refrigerant to settle.

CAUTION: You must keep the appliance stand in the place where is ventilative anytime.

Child Safety

- This appliance is not intended for use by young children or infirm persons unless they have been adequately supervised by a responsible person to ensure that they can use the appliance safely.
- Young children should be supervised to ensure that they do not play with the appliance.

During Use

- This appliance is designed for domestic use only, specifically for the storage of edible foodstuffs only.
- Frozen food should not be refrozen once it has thawed out.
- Do not place carbonated or fizzy drinks in the freezer.
- Ice lollies can cause 'frost/freezer burns' if consumed straight from the freezer.
- Do not remove items from the freezer if your hands are damp/wet, as this could cause skin abrasions or frost/freezer burns.

Maintenance and Cleaning

- Switch off, and unplug the appliance before carrying out any cleaning or maintenance work.

- Do not use sharp instruments to scrape off frost or ice. (See defrosting instructions).

CAUTION: You must not use any mechanical equipment or other way that quicken up the defrosting process to defrost the appliance.

Do not damage the refrigerant circuit.

You must not use any electric appliance inside the appliance except that are commended by the manufacturer.

Servicing

- This product should be serviced by an authorised engineer, and only genuine spare parts should be used.
- Under no circumstances should you attempt to repair the machine yourself. Repairs carried out by inexperienced persons may cause injury or serious malfunctioning. Contact your local Service Force Centre.

At the End of the Appliance Life

NOTE: Before discarding an old wine cooler, switch off and disconnect it from the power supply. Cut off and render any plug useless. Ensure that the door cannot jam (removing it is best), regardless of whether or not it can be pushed open from inside.

AN OLD WINE COOLER CAN BE A DEADLY PLAYTHING FOR CHILDREN!

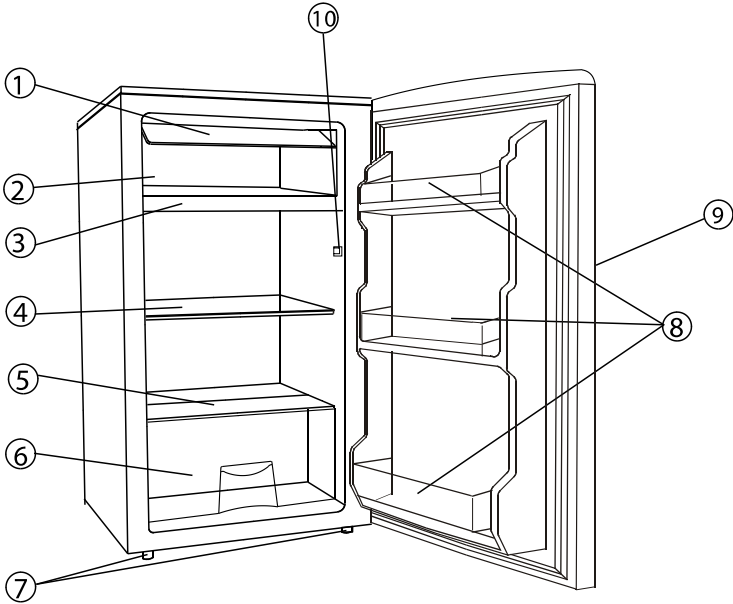
CAUTION: At the end of the function life of the appliance it must be disposed in accordance with the W.E.E directive (See below). You appliance contains R600a refrigerant and inflammable gas in the insulating foam.

- Before discarding your wine cooler, switch it off and disconnect it from the power supply. Cut off and render any plug useless.
- Ensure that the door cannot shut completely, regardless of whether or not it can be pushed open from the inside (removing the door is best).



Please read this instruction book carefully before use and retain for future reference.

PARTS AND FEATURES

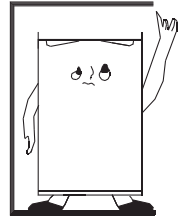


- ① Negative temperature compartment door
- ② Negative temperature compartment
- ③ Drip Tray
- ④ Shelves of refrigerator chamber
- ⑤ Glass cover
- ⑥ Crisper box
- ⑦ Leveling Legs
- ⑧ Door Balconies
- ⑨ Handle
- ⑩ Door switch

2. Correctly positioning

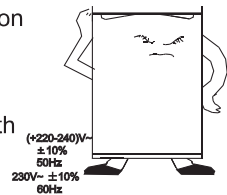
Well Ventilating

There is need of good ventilation around the refrigerator for easy dissipation of heat, high efficiency of refrigeration and low power consumption. For this purpose, sufficient clear space should be need around the refrigerator. Its back is at least 100mm away from the wall, its sides at least have a space of 100mm separately and the height from over its top is not less than 200mm. A clear space should be left to open its doors to 160°



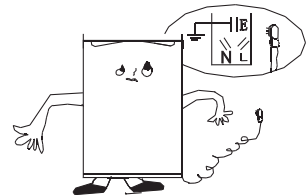
Power Supply

The refrigerator is only applied with power supply of single phase alternating current of (220-240)V~/50Hz;230V~/60Hz.If fluctuation of voltage in the district user is of so large that the voltage exceeds the above scope, for safety sake, be sure to apply a.c. automatic voltage regulator to the refrigerator. The refrigerator must employ a special power socket instead of common one with other electric appliances. Its plug must match the socket with ground wire.



Power Line Cord

The cord should be neither lengthened nor folded into coil during operation. Moreover, it is forbidden that cord is kept close onto the compressor at the back of the refrigerator, the surface temperature of which is quite high when operating. Touching with it would deactivate the insulation or cause leakage for electricity.



Protection from Moisture

Avoiding placing the refrigerator in a place where heavy moisture is present so as to minimize possibility of rusty for its metal parts. Still more, the refrigerator is forbidden to be directly sprayed by water, otherwise, poor insulation and current leakage would occur.



2. Correctly Positioning

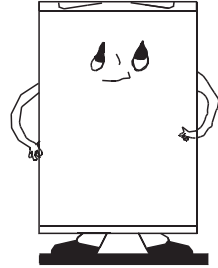
Protection from Heat

The refrigerator should be far away from any heat source or direct sunshine.



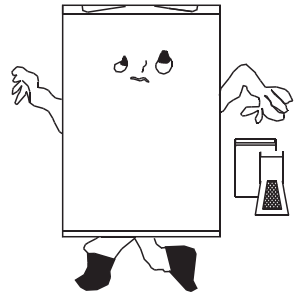
Fixing Stable

Floor on which refrigerator will be placed must be flat and solid. It should not be laid on any soft material such as foam plastic, etc. If the refrigerator is not on the same level, adjust the screws suitably. The refrigerator should not be placed near anything which may echo.



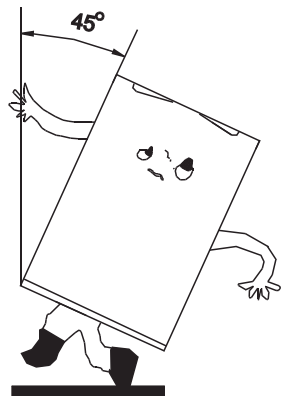
Keep Away from Danger

It is inadvisable that the refrigerator is placed near any volatilizable or combustible such as gas, petrol, alcohol, lacquer and banana oil, etc. The above-mentioned objects can not be stored in the refrigerator.



Moving

When fixed or moved, the refrigerator can not be set horizontally or declined to more than 45° or upside-down.



3.Cautions

- ★ Water contained in food or getting into air inside the refrigerator by opening doors may form a layer of frost inside. It will weaken the refrigerator when the frost is thick, while it is more than 2mm thick, you should defrost.
- ★ Defrosting in freezer chamber is operated manually. Before defrosting, take the food, the ice tray and the shelf out into the cold storing chamber temporarily then set the knob of the temperature regulator to position "0"(where the compressor will stop working) and leave the door open until ice and frost dissolve thoroughly deposited at the bottom of the freezer chamber, wipe off the water with soft cloth.,In the case of speeding up the defrosting, you may put a bowl of warm water (about 50°C)into the freezer chamber, and be sure to set the knob of the temperature regulator to original position after defrosting.
- ★ It's inadvisable to heat the freezer chamber directly with hot water or hair dryer while defrosting to prevent deformation of the inner case.
- ★ It's also inadvisable to scrape of ice and frost or separate food from the containers which have been congealed together with the food with sharp tool or wooden bars, so as not to damage the inner casing or the surface of the evaporator.
- ★ If the supply cord of this appliance is damaged, it must only be replaced by a repair shop appointed by the manufacturer, because special purpose tools are required.

4.Changing the reversible door

This refrigerator has been built with the door hinges on the right. If you wish to change the opening direction, follow the instructions below:

1. Remove the small plastic cover (7) and the screws (6) which fix the worktop to disassembly the worktop.
2. Remove the two screws (1) that hold the upper hinge (5) (right side) to the frame. Take away the upper hinge (5).
- 3.Lift the door and place it on a padded surface to prevent scratching it.
4. Remove the two screws(8) that hold the lower hinge(2) and Make sure to Remove the lower hinge(2).
5. Remove the left front leg (4) and transfer it to the right side.
6. Before placing this lower hinge(2), remove the bolt-pin (9) and reverse the direction of the lower hinge(2). Then install the lower hinge (2) onto the left side of the lower frame with two screws (8).
7. Insert the bolt-pin(9) to the lower hinge (2).
8. Set the door to its place making sure the door seat at the lower hinge(2)
- 9..While holding the door in the closed position secure the upper hinge (5) in the top frame of left side with two screws (1). Please remember that do not tighten the two screws(1) until the top of the door is levelled with the counter top.
10. Install the worktop onto the top of the cabinet with screws(6) and cover the small plastic cover(7)
11. Remove the door handle (10) from the left side to the right side.

4. Changing the reversible door

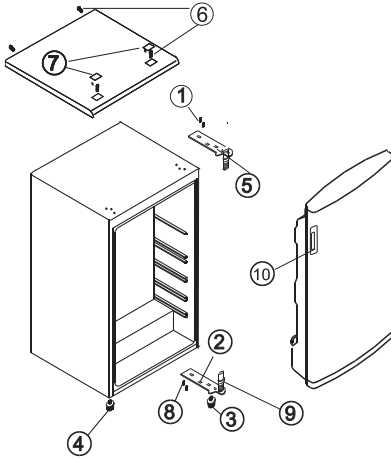


FIGURE 1

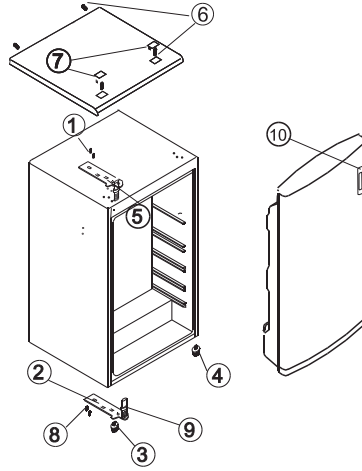


FIGURE 2

FIGURE 1 - REPRESENTS POSITION OF COMPONENTS PRIOR TO DOOR REVERSAL.

FIGURE 2 - REPRESENTS POSITION OF COMPONENTS AFTER DOOR REVERSAL.

5. Troubleshooting

1. When the refrigerator does not work
 - Check if there is a power failure.
 - Check if the power plug is plugged into the power outlet.
 - Check that the fuse has not blown.
2. When the refrigerator is cooling excessively
 - The temperature control dial may be set too high.
 - If you place foodstuffs containing a lot of moisture directly under the cool air outlets, they will freeze easily. This does not indicate a malfunction.
3. When the refrigerator is not cooling sufficiently
 - The food may be packed too tightly together which will block the flow of cool air. You may have put something hot or a lot of foodstuffs into the refrigerator .
 - The door may not have been closed properly.
 - The door gaskets may be damaged.
 - The refrigerator may not be ventilated.
 - There may be insufficient clearance between the refrigerator and the surfaces immediately both sides and above.
 - The temperature control dial may not be set properly.
4. When the defrosting water overflows inside the refrigerator and onto the floor.
 - Check that the drain pipe and the drain hose are not clogged.
 - Check that the drain pan is housed properly.
5. When condensation form on the outside of the refrigerator.
 - Condensation may form on the outside when the humidity is high such as during a wet season. This is the same result as the condensation formed when chilled water is poured into a glass. It does not, therefore, indicate a failure, wipe dry with a dry cloth.
6. When you hear a sound like water flowing .
 - A sound like water flowing is the refrigerant flowing. It does not Indicate a malfunction.
7. When the cabinet's side panel heats up
 - The side panel of the cabinet will heat up when the door is opened or closed frequently, when starting the unit and when the unit operates in summer with high ambient outside temperature, In such case, do not touch the panel, it results from the dissipation of the heat from inside the cabinet, and it does not mean that something is wrong with the refrigerator.

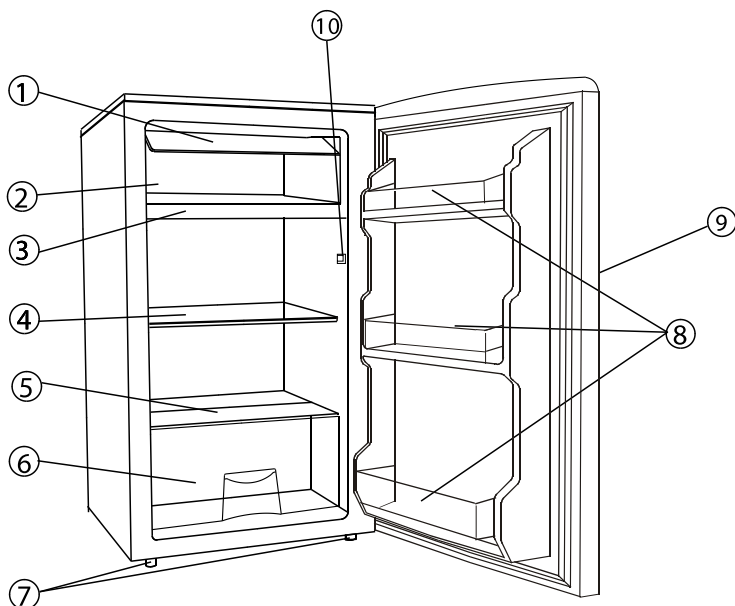
6. Technical specifications

*For the detailed technical specifications, please refer to the nameplate at the back of the refrigerator..

*Specifications are subject to change without prior notice.

CZĘŚCI I WŁAŚCIWOŚĆ

POLISH

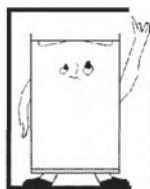


- ① Pokrywa komory niskich temperatur
- ② Komora niskich temperatur
- ③ Taca zbierająca wodę
- ④ Półki komory chłodzącej
- ⑤ Pokrywa szklana
- ⑥ Pojemnik na warzywa
- ⑦ Nóżki regulowane
- ⑧ Półka na butelki
- ⑨ Uchwyt drzwiowy
- ⑩ Wyłącznik światła

2. Poprawne umieszczenie urządzenia

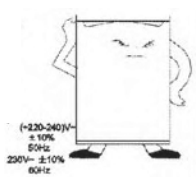
Właściwa wentylacja

Konieczna jest dobra wentylacja wokół lodówki, aby zwiększyć wydajność chłodzenia i obniżyć zużycie energii. Lodówka powinna zostać umieszczona w taki sposób, aby jej tylna część znajdowała się przynajmniej w odległości 100mm od ściany, po bokach zapewnić przestrzeń około 100mm, natomiast w górnej części należy zapewnić przestrzeń nie mniejszą niż 200mm. Należy również zapewnić swobodne otwieranie się drzwi na szerokość 160 stopni.



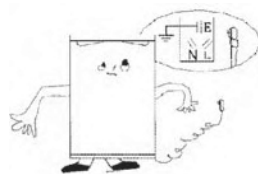
Źródło zasilania

Lodówka została przystosowana do zasilania jednofazowym prądem zmiennym o napięciu (220-240)V~/50Hz;230V~/60Hz. Jeśli wahania napięcia będą tak duże, że napięcie przekroczy ustalony powyżej zakres, należy zainstalować automatyczny regulator napięcia. Lodówka musi być podłączona do osobnego gniazdka, nie razem z innymi urządzeniami elektrycznymi. Wtyczka lodówki powinna pasować do gniazdka w ścianie i posiadać uziemienie.



Przewód zasilający

Podczas pracy urządzenia, przewód zasilający nie powinien być zwijany ani przedłużany. Ponadto niedozwolone jest, by przewód był umieszczany zbyt blisko tylnej części lodówki, gdyż temperatura umieszczonego tam kompresora jest duża i może być przyczyną zniszczenia przewodu. Zniszczeniu może ulec izolacja przewodu, co z kolei może być przyczyną przebiegów elektrycznych.



Ochrona przed wilgocią

Należy unikać umieszczania lodówki w miejscach występowania dużej wilgoci, aby zminimalizować możliwość zardzewienia metalowych części lodówki. Ponadto, należy unikać bezpośredniego kontaktu lodówki z wodą, gdyż może to być przyczyną osłabienia izolacji i wystąpienia przebiegów elektrycznych.



2. Poprawne umieszczenie urządzenia

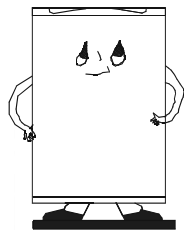
Ochrona przed przegrzewaniem się

Lodówka powinna znajdować się z dala od źródeł ciepła i nie powinna być wystawiana na bezpośrednie działanie promieni słonecznych.



Zapewnienie stabilności

Podłoże, na którym jest umieszczana lodówka, powinno być płaskie i stabilne. Nie należy umieszczać urządzenia na miękkim podłożu, takim jak gąbka plastikowa, i tym podobne. Lodówka nie powinna być umieszczana w pobliżu materiałów i przedmiotów odbijających dźwięk.



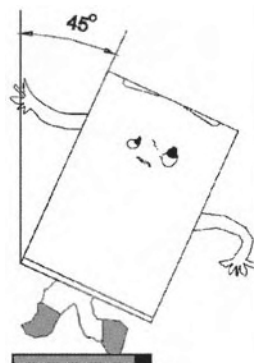
Unikać niebezpiecznych materiałów

Nie należy umieszczać lodówki w pobliżu materiałów łatwopalnych, takich jak gaz, benzyna, alkohol, lakier, octan amylu, etc. Wymienione powyżej materiały nie mogą być również przechowywane w lodówce.



Przesuwanie

Podczas przesuwania lub naprawiania lodówki, nie wolno ustawiać jej w pozycji poziomej, lub przechylać o więcej niż 45 stopni od pozycji pionowej.



3. Uwagi

- ★ Woda zawarta w żywności lub przedostająca się do powietrza wewnątrz lodówki, może być przyczyną powstawania warstwy lodu i szronu. Gdy warstwa lodu stanie się gruba, może być przyczyną zmniejszenia sprawności działania urządzenia. Gdy warstwa lodu osiągnie grubość 2mm lub więcej, należy lodówkę rozmrozić.

- ★ Rozmrażanie komory zamrażalnika lodówki przeprowadza się ręcznie. Przed rozpoczęciem rozmrażania, należy wyjąć z lodówki żywność, tace na lód oraz półki i umieścić je w chłodnym miejscu. Pokrętko regulatora temperatury ustawić na wartość „0” (kompresor przestanie pracować). Drzwi lodówki pozostawić otwarte, dopóki lód i szron osadzony na ścianach lodówki rozmrozi się. Wodę powstałą podczas rozmrażania w dolnej części lodówki, należy wytrzeć miękką szmatką. Aby przyspieszyć proces rozmrażania, można w dolnej części lodówki umieścić miskę z ciepłą wodą (temp. około 50°C). Po zakończeniu rozmrażania należy ustawić temperaturę na poprzednią wartość.

- ★ Podczas rozmrażania nie należy podgrzewać zamrażalnika bezpośrednio gorącą wodą lub suszarką do włosów. Może to spowodować deformację wewnętrznej obudowy lodówki pod wpływem ciepła.

- ★ Nie należy zeszkrobywać lodu ani szronu ze ścianek zamrażalnika, ani nie próbować oddzielać żywności od pojemników, w których jest przechowywana za pomocą ostrych lub drewnianych narzędzi, aby nie zniszczyć wewnętrznej powierzchni obudowy parownika.

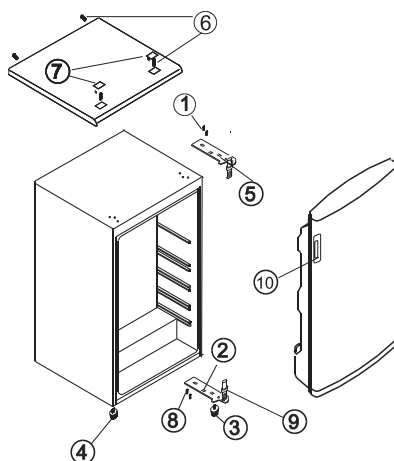
- ★ W przypadku, gdy uszkodzeniu ulegnie przewód zasilający, należy go wymienić. Wymianę przewodu należy powierzyć warsztatowi wyznaczonemu przez sprzedawcę, ponieważ czynność ta wymaga użycia specjalistycznych narzędzi.

4. Zmiana kierunku otwierania drzwi

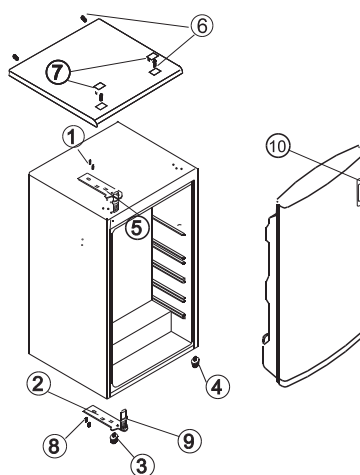
Lodówka została zaopatrzona w zawiasy drzwiowe znajdujące się po prawej stronie. Jeśli istnieje potrzeba zmiany kierunku otwierania drzwi, należy postępować zgodnie z poniższymi wskazówkami:

1. Zdjąć osłonę zawiasu (6).
2. Odkręcić dwie śruby (1) przytrzymujące górny zawias (5) (prawa strona) do framugi drzwi. Zdjąć górny zawias (5).
3. Podnieść drzwi i umieścić je na miękkim podłożu, zabezpieczającym przed przypadkowym zarysowaniem.
4. Odkręcić dwie śruby (8) przytrzymujące dolny zawias (2), a następnie zdjąć dolny zawias (2).
5. Wyjąć przednią lewą nóżkę (4) i zamontować ją po prawej stronie.
6. Zamontować osłonę otworu (7) na stronę prawą lodówki.
7. Przed instalacją dolnego zawiasu (2), wyjąć sworzeń (9) i zmienić kierunek montowania dolnego zawiasu (2). Zamontować dolny zawias (2) po lewej stronie dolnej części framugi za pomocą dwóch śrub (8).
8. Włożyć sworzeń (9) do dolnego zawiasu (2).
9. Umieścić drzwi we właściwym położeniu, upewnić się, czy drzwi wiszą na dolnym zawiasie (2).
10. Przytrzymując drzwi w pozycji zamkniętej, umocować górny zawias (5) w górnej części framugi po lewej stronie za pomocą dwóch śrub (1). Nie dociskać śrub mocujących (1), dopóki górna część drzwi nie zostanie wyrównana z górną częścią obudowy lodówki.
11. Zainstalować osłonę górnego zawiasu (6).

4. Zmiana kierunku otwierania drzwi



RYSUNEK 1



RYSUNEK 2

RYSUNEK 1 – SCHEMAT UMIESZCZENIA POSZCZEGÓLNYCH CZĘŚCI PRZED ZMIANĄ KIERUNKU OTWIERANIA DRZWI

RYSUNEK 2 – SCHEMAT UMIESZCZENIA POSZCZEGÓLNYCH CZĘŚCI PO ZMIANIE KIERUNKU OTWIERANIA DRZWI

5. Konserwacja

- ★ Lodówka powinna być myta i konserwowana raz na miesiąc.
- ★ Przed rozpoczęciem konserwacji, należy wyłączyć zasilanie wyciągając wtyczkę z gniazdka zasilającego.
- ★ Wyrzeć wewnętrzne i zewnętrzne powierzchnie lodówki oraz jej poszczególne części za pomocą wilgotnej szmatki. Jeśli są zbyt brudne, należy użyć neutralnego środka chemicznego, a następnie umyć wodą i wyrzeć do sucha. Następnie zaleca się wyrzeć do połysku powierzchnię lodówki flanelową szmatką.
- ★ W przypadku mycia lodówki nie używać gorącej wody, rozcieńczaczy, benzyny, alkoholu, nafty, proszku do prania, płynów do czyszczenia, środków alkalicznych, kwasów, itp. Wszystkie wymienione powyżej substancje mogą zniszczyć warstwę lakieru oraz części plastikowe lodówki. Nie wolno narażać lodówki na bezpośredni kontakt z wodą. Może to być przyczyną rdzewienia lub niszczenia izolacji lodówki.
- ★ Należy szczególnie dbać o gumowe uszczelki zamontowane na drzwiach lodówki. Powinny być zawsze czyszczone.
- ★ Jeśli części plastikowe lodówki zostaną zanieczyszczone przez dłuższy okres czasu olejem (pochodzenia zwierzęcego lub roślinnego), mogą szybciej ulec zniszczeniu. Wewnętrzne pojemniki lodówki łatwo ulegają zabrudzeniu, jeśli nie są często myte, ponadto może to być przyczyną powstawania nieprzyjemnego zapachu we wnętrzu urządzenia. Należy dopilnować częstego ich mycia.

6. Rozwiązywanie problemów

1. Jeśli lodówka nie działa:
Sprawdzić, czy nie ma przerwy w dostawie energii.
Sprawdzić, czy przewód zasilający jest podłączony do gniazdka.
Sprawdzić, czy bezpieczniki są sprawne.
2. Jeśli lodówka nadmiernie mrozi:
Pokrętko regulatora temperatury może być ustawione na zbyt dużą wartość.
Jeśli produkty żywnościowe zawierające dużo wilgoci zostaną umieszczone bezpośrednio pod wylotami zimnego powietrza, ulegną szybkiemu zamrożeniu. Nie jest to wynikiem złego funkcjonowanie urządzenia.
3. Jeśli lodówka nie chłodzi w sposób wystarczający:
Żywność umieszczona w lodówce może być ułożona zbyt blisko siebie, co z kolei może być przyczyną złego przepływu chłodzącego powietrza we wnętrzu urządzenia.
W lodówce zostało umieszczona gorąca żywność lub lodówka jest przeładowana.
Drzwi lodówki są niedomknięte.
Uszczelki drzwiowe są zniszczone.
Lodówka nie jest wentylowana.
Nie został zapewniony odpowiedni prześwit pomiędzy powierzchniami lodówki a sąsiadującymi z nią powierzchniami.
Pokrętko regulatora temperatury nie jest we właściwej pozycji.
4. Jeśli woda powstała w wyniku rozmrażania przelewa się z lodówki na podłogę:
Sprawdzić, czy rurka odprowadzająca wodę oraz wąż odprowadzający wodę nie są zatkane
Sprawdzić, czy zbiornik odprowadzający wodę jest właściwie zamontowany.
5. Jeśli para wodna skrapla się na zewnątrz lodówki:
Para wodna może skraplać się na zewnątrz lodówki, jeśli wilgotność powietrza jest bardzo duża, np. w porze deszczowej (podczas deszczu). Jest to ten sam efekt, gdy podczas wlewania zimnej wody do szklanki woda skrapla się na zewnętrznych ściankach szklanki. Nie jest to wynikiem niepoprawnego funkcjonowania urządzenia. Należy te miejsca wycierać do sucha szmatką.
6. Gdy słyszalny jest odgłos przypominający przepływającą wodę:
Odgłos ten towarzyszy przepływowi środka chłodzącego systemie chłodzenia. Nie jest to oznaką awarii urządzenia.
7. Jeśli obudowa lodówki nagrzeje się zbyttnio:
Boczna obudowa lodówki nagrzewa się, gdy drzwi lodówki są otwierane i zamykane zbyt często, podczas uruchamiania urządzenia oraz, gdy lodówka pracuje w wysokiej temperaturze otoczenia (na przykład w lecie). Jest to wynikiem przekazywania ciepła do wnętrza obudowy i nie oznacza, że lodówka pracuje niepoprawnie.

7. Specyfikacje techniczne

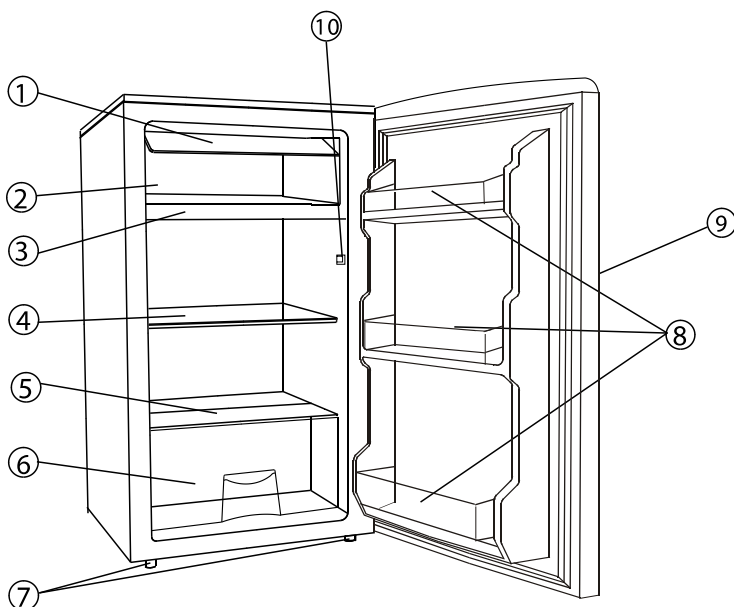
*Szczegółowe specyfikacje techniczne umieszczone są na tabliczce znamionowej w tylnej części lodówki.

*Specyfikacje techniczne mogą być przedmiotem zmian bez uprzedniego powiadomienia.

1. Nom des pièces

PIECES ET CARACTERISTIQUES

FRENCH



- 1 Porte du compartiment à température négative
- 2 Compartiment à température négative
- 3 Plateau de dégivrage
- 4 Grilles du compartiment réfrigérateur
- 5 Plaque-couverture en verre
- 6 Bac à légumes et fruits
- 7 Pieds de mise à niveau
- 8 Balconnets
- 9 Poignée encastrée
- 10 Interrupteur de porte

2. MISE EN SERVICE DES APPAREILS

Cet appareil est uniquement destiné à une utilisation domestique et intérieure.
Le produit doit être installé en respectant les règles nationales d'installation.

Alimentation en électricité

Il faut une alimentation en courant alternatif 230V~ de fréquence 50Hz . Si les variations de tension sont importantes au point qu'on soit hors des limites, il faut alors, pour plus de sécurité, un régulateur de tension automatique de courant alternatif. Il faut une fiche d'alimentation spéciale pour ce réfrigérateur au lieu de la fiche habituelle utilisée avec d'autres appareils électriques. La prise, y compris le fil de mise à la terre, doit se raccorder à la fiche. La prise de l'installation doit toujours être munie d'un raccordement à la terre. Si l'approvisionnement en courant n'est pas connecté à la terre, vous ne devez pas connecter l'appareil.

Cordon d'alimentation

La prise de courant doit rester accessible après l'installation de l'appareil.
Le cordon ne doit pas être allongé et ne doit pas être plié en spirale lorsqu'il est utilisé. De plus, il est interdit de garder le cordon près du compresseur à l'arrière du réfrigérateur, car la température à la surface de celui-ci est très élevée lorsqu'il fonctionne. Le toucher désactiverait l'isolation ou provoquerait des fuites de courant.

Protection contre l'Humidité

Eviter de placer le réfrigérateur dans un endroit très humide pour que les pièces métalliques ne rouillent pas (ou tout au moins pour minimiser un tel risque). En outre, il est interdit de pulvériser de l'eau directement sur le réfrigérateur pour qu'il n'y ait pas de fuite de courant ou que l'isolation soit moins bonne.

Comment bien Ventiler

Une bonne ventilation autour du réfrigérateur est nécessaire pour que la chaleur se dissipe facilement, que la réfrigération soit plus efficace et pour réduire la consommation d'électricité. C'est pourquoi, il faut suffisamment d'espace libre autour du réfrigérateur. Il faut au moins 100 mm d'espace libre entre le mur et l'arrière et de chaque côté, ainsi que 200 mm au-dessus de l'appareil. Il faut également suffisamment d'espace pour ouvrir la porte à 160°.

Protection contre la Chaleur

Le réfrigérateur doit être loin de toute source de chaleur ou de la lumière directe du soleil.

Mise en Place

Le sol sur lequel le réfrigérateur sera placé doit être plat et solide. Il ne doit pas être posé sur un matériau mou, comme de la mousse plastique, etc. Si le réfrigérateur penche, réglez les vis pour qu'il soit à niveau. Le réfrigérateur ne doit pas être placé près que quelque chose qui peut faire des échos,

A Placer loin de Dangers Potentiels

Il n'est pas recommandé de placer le réfrigérateur près de produits combustibles ou qui se volatilisent, comme du gaz, de l'essence, de l'alcool, du vernis ou de l'huile de banane, etc. Les produits susmentionnés ne peuvent pas être stockés dans le réfrigérateur.

Comment déplacer le réfrigérateur

Qu'il soit fixe ou bougé, le réfrigérateur ne peut pas être mis à l'horizontal ou penché de plus de 45° ou mis à l'envers.

3. Précautions – Mises en garde

L'eau contenue dans la nourriture ou se trouvant dans l'air et introduite à l'intérieur du réfrigérateur en ouvrant les portes peut former une couche de givre. Le réfrigérateur est moins efficace lorsque l'épaisseur de givre est épaisse. Lorsqu'elle est supérieure à 2 mm, il vous faut dégivrer.

Le dégivrage du compartiment congélateur se fait manuellement. Avant de dégivrer, mettez la nourriture, le bac à glaçons et la clayette temporairement dans le compartiment réfrigérateur, puis placez le bouton du régulateur de température sur « 0 » (le compresseur s'arrêtera alors de fonctionner) et laissez la porte ouverte jusqu'à ce que la glace et le givre se dissolvent complètement et se trouvent en bas du compartiment. Nettoyez alors l'eau avec un chiffon doux. Pour aller plus vite, vous pouvez mettre un récipient d'eau tiède (environ 50° C) dans le compartiment congélateur. Assurez-vous que le bouton du régulateur de température est remis à sa position d'origine après dégivrage.

Il n'est pas recommandé de chauffer le compartiment congélateur directement avec de l'eau chaude ou un séchoir à cheveux pendant le dégivrage pour ne pas déformer les parois intérieures.

Il n'est pas recommandé non plus de racler la glace et le givre ou de séparer des aliments congelés de leurs containers (lorsqu'ils ont été congelés ensemble) avec des outils coupants ou des barres en bois, pour ne pas endommager les parois intérieures ou la surface de l'évaporateur.

Si le cordon d'alimentation est endommagé, il doit être remplacé par le fabricant, son service après vente ou des personnes de qualification similaire afin d'éviter un danger.

Mise en garde- Maintenir dégagées les ouvertures de ventilation dans l'enceinte de l'appareil ou dans la structure d'encastrement.

Mise en garde- Ne pas utiliser de dispositifs mécaniques ou autres moyens pour accélérer le processus de dégivrage, autres que ceux recommandés par le fabricant.

Mise en garde- Ne pas endommager le circuit de réfrigération.

Mise en garde- Ne pas utiliser d'appareils électriques à l'intérieur du compartiment destinés à la conservation des denrées, à moins qu'ils ne soient du type recommandé par le fabricant.

5. Comment changer la porte réversible

Ce réfrigérateur a été construit avec des charnières de porte sur la droite. Si vous voulez changer le sens d'ouverture, voici comment le faire :

1. Enlevez les petits cache-vis en plastique (7) et les vis (6) qui fixent le plan de travail pour démonter le plan en question.
2. Enlevez les deux vis (1) qui maintiennent la charnière supérieure (côté droit) à la structure. Enlevez la charnière supérieure (5).
3. Soulevez la porte et placez la sur une surface rembourrée pour qu'elle ne se raye pas.
4. Enlevez les deux vis (8) qui maintiennent la charnière inférieure (2) et enlevez la charnière inférieure (2).
5. Enlevez le pied avant gauche (4) et transférez le à droite.
6. Avant de placer la charnière inférieure (2), enlevez la tige-boulon (9) et changez le sens de la charnière inférieure (2). Installez alors la charnière inférieure (2) sur le côté gauche de la structure du bas avec deux vis (8).
7. Insérez la tige-boulon (9) dans la charnière inférieure (2)
8. Mettez la porte en place en vous assurant que la porte est bien placée dans la charnière inférieure (2).
9. En maintenant la porte fermée, placez la charnière supérieure (5) dans la structure du haut côté gauche avec deux vis (1). Souvenez-vous de ne pas serrez les deux vis (1) avant que le haut de la porte soit à niveau par rapport au plan de travail.
10. Installez le plan de travail par dessus l'appareil avec des vis (6) et couvrez les vis avec les cache-vis.

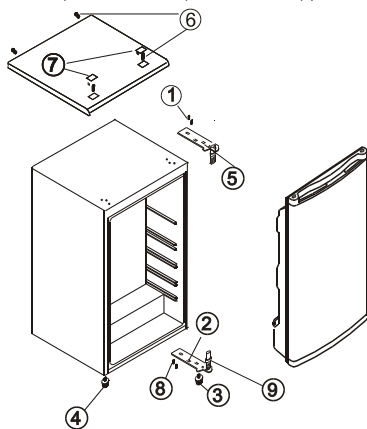


FIGURE 1

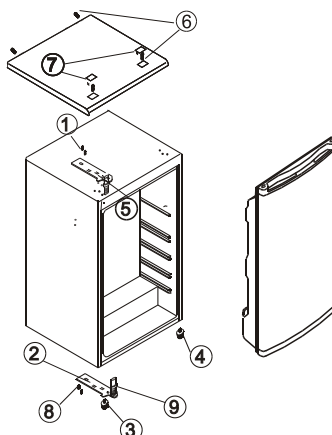


FIGURE 2

FIGURE 1 : REPRESENTE LA POSITION DES COMPOSANTS AVANT DE RENVERSER LA PORTE

FIGURE 2 : REPRESENTE LA POSITION DES COMPOSANTS APRES QUE LA PORTE AIT ETE RENVERSEE

6. Maintenance

Le réfrigérateur doit être nettoyé et entretenu une fois par mois.

Lorsque vous effectuez un nettoyage/entretien, il faut absolument vous assurer tout d'abord que la fiche d'alimentation est bien déconnectée de la prise.

Nettoyez la surface intérieure et la surface extérieure du réfrigérateur et ses accessoires avec un chiffon sec. Si elles sont trop sales, lavez les avec un détergent neutre, puis nettoyez les avec de l'eau et séchez les avec un chiffon sec. Ensuite, il est recommandé de polir la surface du réfrigérateur avec une petite quantité de cire pour verre avec de la flanelle de coton.

Pour nettoyer, n'utilisez pas d'eau chaude, de diluant, de l'essence, de l'alcool, du kérosène, de la poudre de lavage, du détergent, un détergent alcalin, de l'acide, un chiffon chimique, etc., pour ne pas endommager le revêtement verni et les plastiques. Il est interdit de pulvériser de l'eau directement sur le réfrigérateur pour ne pas réduire sa capacité d'isolation ou pour qu'il ne rouille pas.

Prenez bien soin des joints en caoutchouc des portes. Ils doivent toujours être propres.

Si les pièces en plastique dans le réfrigérateur restent souillées pendant longtemps par de l'huile (animale ou végétale), elles vieilliront plus vite et des fissures apparaîtront éventuellement. Le plateau de dégivrage se salit facilement s'il n'est pas nettoyé régulièrement, de plus il y aura des mauvaises odeurs. Prenez l'habitude de nettoyer ce plateau régulièrement.

7. Diagnostic des Pannes

1. Quand le réfrigérateur ne fonctionne pas :

Vérifiez s'il y a une panne de courant.

Vérifiez si la fiche d'alimentation est bien mise dans la prise de courant.

Vérifiez que le fusible n'a pas grillé.

2. Lorsque le réfrigérateur refroidit de façon excessive :

Le réglage de la température peut être sur une position trop élevée.

Si vous mettez des aliments contenant beaucoup d'humidité directement sous les sorties d'air frais, ils gèleront facilement. Cela ne signifie pas qu'il y a un défaut de fonctionnement.

3. Lorsque le réfrigérateur ne refroidit pas suffisamment :

Si les aliments sont trop ensemble (les uns sur les autres), il se peut que le flux d'air frais ne puisse pas passer.

Il se peut que vous ayez mis quelque chose de chaud ou trop d'aliments dans le réfrigérateur.

Il est possible que la porte n'ait pas été fermée correctement.

Les joints de porte peuvent être endommagés.

Le réfrigérateur peut ne pas être ventilé.

Il n'y a peut-être pas assez d'espace libre au-dessus ou sur les côtés du réfrigérateur.

La température peut ne pas être réglée correctement.

4. Lorsque l'eau de dégivrage se répand à l'intérieur du réfrigérateur et sur le sol.

Vérifiez que les tuyaux de vidange et d'évacuation ne sont pas bouchés.

Vérifiez que le plateau de vidange est dans la bonne position.

5. Lorsque de la condensation se forme sur l'extérieur du réfrigérateur.

La condensation peut se former sur l'extérieur quand il y a beaucoup d'humidité, comme pendant une saison humide. C'est le même type de condensation que celle qui se forme quand on verse de l'eau froide dans un verre. Il ne s'agit donc pas d'un défaut, essayez simplement avec un chiffon sec.

6. Lorsque vous entendez un son semblable à de l'eau qui coule.

En coulant, le réfrigérant émet un son semblable à de l'eau qui coule. Ce n'est donc pas un dysfonctionnement.

7. Lorsque le panneau de côté de l'appareil chauffe :

Le panneau de côté de l'appareil chauffe lorsque la porte est ouverte ou fermée fréquemment, lors du démarrage de l'appareil et quand il marche en été dans des conditions de températures ambiantes extérieures élevées. Dans ce cas,

ne touchez pas le panneau, c'est dû à la dissipation de la chaleur de l'intérieur de l'appareil et ça ne veut pas dire que le réfrigérateur ne fonctionne pas correctement.



- Le logo apposé sur le produit signifie qu'il s'agit d'un appareil dont le traitement en tant que déchet rentre dans le cadre de la directive 2002/96/CE du 27 janvier 2003, relative aux déchets d'équipements électriques et électroniques (DEEE).

- La présence de substances dangereuses dans les équipements électriques et électroniques peut avoir des effets potentiels sur l'environnement et la santé humaine dans le cycle de retraitement de ce produit.

- Ainsi, lors de la fin de vie de cet appareil, celui-ci ne doit pas être débarrassé avec les déchets municipaux non triés.

- En tant que consommateur final, votre rôle est primordial dans le cycle de réutilisation, de recyclage et les autres formes de valorisation de cet équipement électrique et électronique. Des systèmes de reprise et de collecte sont mis à votre disposition par les collectivités locales (déchetteries) et les distributeurs.

- Vous avez l'obligation d'utiliser les systèmes de collecte sélective mis à votre disposition.

8. Spécifications techniques

*Les spécifications peuvent être modifiées sans avertissement préalable.

*Pour le détail des spécifications techniques, veuillez consulter la plaque signalétique à l'intérieur du réfrigérateur.

Cher client, en plus des instructions du mode d'emploi, nous vous remercions de lire attentivement ce document qui comporte des conseils utiles.

ZONE LA PLUS FROIDE DU REFRIGERATEUR



Le symbole ci-contre indique l'emplacement de la zone la plus froide de votre réfrigérateur. Cette zone est délimitée en bas par la vitre du bac à légumes, et en haut par le symbole ou bien la clayette positionnée à la même hauteur. Afin de garantir les températures dans cette zone, veillez à ne pas modifier le positionnement de cette clayette.

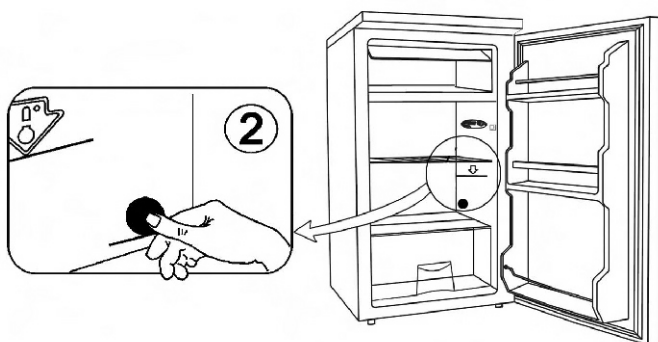
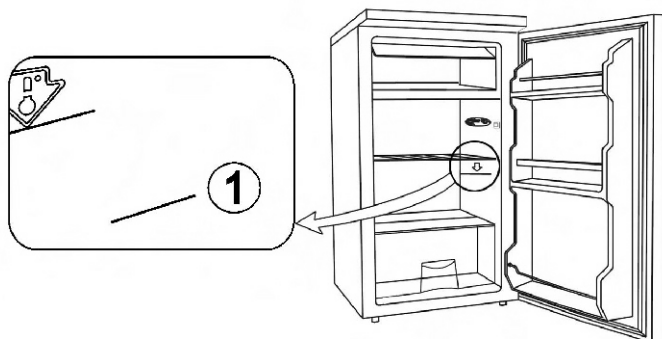
Dans les réfrigérateurs à air pulsé (équipés d'un ventilateur ou modèles No Frost), le symbole de la zone la plus froide n'est pas représenté car la température à l'intérieur de ceux-ci est homogène.

INSTALLATION DE L'INDICATEUR DE TEMPERATURE

Pour vous aider à bien régler votre réfrigérateur, celui-ci est équipé d'un indicateur de température qui permettra de contrôler la température moyenne dans la zone la plus froide.

ATTENTION: Cet indicateur est prévu pour fonctionner uniquement avec votre réfrigérateur, veillez à ne pas l'utiliser dans un autre réfrigérateur (en effet, la zone la plus froide n'est pas identique), ou pour toute autre utilisation.

INDICATEUR DE TEMPERATURE: ZONE LA PLUS FROIDE DE VOTRE REFRIGERATEUR.



VERIFICATION DE LA TEMPERATURE DANS LA ZONE LA PLUS FROIDE

• Grâce à l'indicateur de température, vous pourrez vérifier régulièrement que la température de la zone la plus froide est correcte. En effet, la température à l'intérieur du réfrigérateur est fonction de plusieurs facteurs tels que la température ambiante du local, la quantité de denrées stockées, la fréquence d'ouverture de la porte. Prenez ces facteurs en considération lors du réglage de l'appareil.

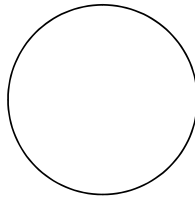
Lorsque l'indicateur indique « OK », cela signifie que votre thermostat est bien réglé, et que la température intérieure est correcte.

Si la couleur de l'indicateur est blanche, cela signifie que la température est trop élevée, il faut dans ce cas augmenter le réglage du thermostat et attendre 12 heures pour effectuer un nouveau contrôle visuel de l'indicateur.

Après chargement ou ouverture de la porte, il est possible que l'indicateur devienne blanc au bout de quelques instants.



Réglage correct



Température trop élevée, réglez le thermostat

RESPECT DES REGLES D'HYGIENE ALIMENTAIRE

Nettoyer fréquemment l'intérieur du réfrigérateur en utilisant un produit d'entretien doux, sans effet oxydant sur les parties métalliques, puis rincer avec de l'eau additionnée de jus de citron, de vinaigre blanc ou avec tout produit désinfectant adapté au réfrigérateur.

Retirer les emballages du commerce avant de placer les aliments dans le réfrigérateur (par exemple, emballages des packs de yaourts).

L'observation des conseils suivants est de nature à éviter la contamination croisée et à éviter une mauvaise conservation des aliments:

Emballer systématiquement les produits pour éviter que les denrées ne se contaminent mutuellement. Se laver les mains avant de toucher les aliments et plusieurs fois pendant la préparation du repas si celle-ci implique des manipulations successives de produits différents, et après, bien sûr, au moment de passer à table comme les règles d'hygiène l'imposent.

Ne pas réutiliser des ustensiles ayant déjà servi (cuillère en bois, planche à découper) sans les avoir bien nettoyés au préalable.

Attendre le refroidissement complet des préparations avant de les stocker (exemple: soupe).

Limiter le nombre d'ouvertures de la porte et, en tout état de cause, ne pas la laisser ouverte trop longtemps pour éviter une remontée en température du réfrigérateur.

Disposer les aliments de telle sorte que l'air puisse circuler librement tout autour.

CONSERVATION DES ALIMENTS DANS LE REFRIGERATEUR EN FONCTION DE LEUR NATURE

- Stocker les aliments selon leur nature dans la zone appropriée:

Zone la plus froide: Viandes, volailles, poissons, charcuteries, plats préparés, salades composées, préparations et pâtisseries à base d'œufs ou de crème, pâtes fraîches, pâte à tarte, pizza/quiches, produits frais et fromages au lait cru, légumes prêts à l'emploi vendus sous sachet plastique et plus généralement, tout produit frais dont la date limite de consommation (DLC) est associée à une température de conservation inférieure ou égale à +4°C.

A KÉSZÜLÉK HASZNÁLATA ELŐTT

A készüléket kizárólag háztartási célra tervezték.

A készülék legjobb kihasználása érdekében olvassa el figyelmesen a kezelési utasítást, amely a készülék leírását, valamint az élelmiszerek tárolásával és tartósításával kapcsolatos tanácsokat tartalmazza. Kérjük, őrizze meg a kézikönyvet, hogy a későbbiekben is belelapozhasson.

1. A készülék kicsomagolása után győződjön meg arról, hogy nincs-e sérülés és az ajtó megfelelően záródik-e. A sérülésekről a készülék leszállításától számított 24 órán belül kell a kereskedőt értesíteni.
2. A készülék bekapcsolása előtt várjon legalább két óráig a hűtőkör teljes hatékonyságának biztosítása céljából.
3. Gondoskodjon arról, hogy a telepítést és az elektromos csatlakoztatást szakképzett szerelő végezze a gyártó utasításainak és a helyi biztonsági előírásoknak megfelelően.
4. A használatbavétel előtt tisztítsa ki a készülék belsejét.

A KÉSZÜLÉK HASZNÁLATA ELŐTT

1. Csomagolás

A csomagolóanyag 100%-ban újrahasznosítható, és megtalálható rajta az újrahasznosítást jelző szimbólum. Tartsa be az ártalmatlanítással kapcsolatos helyi előírásokat. A csomagolóanyagokat (műanyag zsákok, polisztrén stb.) gyermekektől távol kell tartani, mivel azok potenciális veszélyforrást jelentenek.

2. Kiselejtezés/Ártalmatlanítás

A készülék újrahasznosítható anyagokból készült.

A készülék jelölése megfelel az elektromos és az elektronikus berendezések hulladék-elhelyezéséről szóló 2002/96/EK európai irányelvnek (WEEE). A készülék megfelelő kiselejtezésével Ön is segíthet a környezetre és az emberi egészségre gyakorolt potenciálisan kedvezőtlen következmények megelőzésében.

A készüléken vagy a kísérő dokumentumokban lévő szimbólum azt jelzi, hogy a készülék nem kezelhető háztartási hulladékként, hanem az elektromos és elektronikus berendezések újrahasznosításával foglalkozó gyűjtőhelyre kell szállítani. Kiselejtezésekor tegye használhatatlanná a készüléket a hálózati kábel elvágásával, illetve az ajtók és a polcok leszerelésével, hogy a gyerekek ne mászhassanak be a készülékbe. A készülék kiselejtezését a hulladék-elhelyezésre vonatkozó helyi előírásokkal összhangban kell végezni és egy speciális gyűjtőhelyre kell szállítani; még néhány napra se hagyja felügyelet nélkül a készüléket, mivel potenciális veszélyforrást jelent a gyerekek számára. A termék kezelésével, visszanyerésével és újrahasznosításával kapcsolatos további információkért kérjük, vegye fel a kapcsolatot az illetékes helyi hivatallal, a hulladékkezelő szolgálattal vagy azzal az üzlettel, ahol a terméket vásárolta.

Tájékoztató:

A készülék nem tartalmaz CFC-t (a hűtőkör R134a hűtőközeget tartalmaz) vagy HFC-t (a hűtőkör R600a-t tartalmaz) (lásd a készülék belsejében lévő adattáblát). Az izobutánt (R600a) tartalmazó készülékek: Az izobután a természetben előforduló, kis környezeti hatást kifejtő, de gyúlékony gáz. Ezért vigyázzon, hogy a hűtőkör csövei ne sérüljenek meg.

Megfelelőségi nyilatkozat

A készülék élelmiszerek tárolására szolgál és az 1935/2004/EK európai rendelettel összhangban készült. 

A készülék tervezése, gyártása és kiskereskedelmi értékesítése az alábbiakkal összhangban történt:

- a kifestésről szóló 73/23/EGK irányelv biztonságtechnikai célkitűzései;
- a 93/68/EGK irányelvvel módosított, az elektromágneses kompatibilitásról szóló 89/336/EGK irányelv követelményei.

A készülék elektromos biztonsága csak akkor garantált, ha hatékony és engedélyezett földelőrendszerhez van csatlakoztatva.



FONTOS BIZTONSÁGI UTASÍTÁSOK

A figyelmeztetések az Ön biztonságát szolgálják. Kérjük, hogy a készülék telepítése vagy használatba vétele előtt ismerkedjen meg az utasításokkal. Az Ön biztonsága a legfontosabb. Ha bizonytalan a figyelmeztetések jelentését illetően, kérjük, vegye fel a kapcsolatot az Ügyfélszolgálattal.

Telepítés

- A készülék nehéz. Mozgatásakor körültekintően kell eljárni.
- A műszaki adatok megváltoztatása vagy a készülék bármilyen módon történő módosítása veszélyes.
- Ügyeljen arra, hogy a készülék alatt ne legyen elektromos hálózati kábel. Ha a hálózati kábel megsérült, akkor azt a helyi szervizközpontban beszerezhető speciális kábellel kell kicserélni.
- A készülék telepítéséhez szükséges elektromos munkákat szakképzett villanyszerelőnek vagy arra illetékes személynek kell elvégezni.
- A készülék felmelegedő részeit nem szabad megérinteni. Hacsak lehet, a készülék hátoldala a fal felé legyen, a szellőzéshez szükséges távolság megtartásával, a telepítési utasításban foglaltak szerint.
- A telepítés után és a bekapcsolás előtt a készüléket 2 órán keresztül állni kell hagyni a hűtőközeg leülepedése céljából.

FIGYELMEZTETÉS: A készüléket állandó szellőzésű helyen kell felállítani.

Gyermekbiztonság

- A készüléket nem használhatják kisgyermek vagy beteg emberek, hacsak az érték felelős személy nem kíséri figyelemmel a készülék biztonságos használatát.
- Ügyelni kell arra, hogy kisgyerekek ne játsszanak a készülékkel.

• **A készülék használata közben**

- A készüléket kizárólag háztartási célra, kizárólag élelmiszerek tárolására tervezték.
- A fagyasztott ételeket a kiolvasztás után nem szabad visszafagyasztani.
- Ne tegyen szénsavas vagy pezsgő italokat a fagyasztóba.
- A jégkrém „fagysérüléseket” okozhat, ha közvetlenül a fagyasztóból fogyasztják.
- Ne vegyen ki semmit a fagyasztóból, ha vizes/nedves a keze, mert az bőr- vagy fagysérüléseket okozhat.

• **Karbantartás és tisztítás**

- A tisztítás vagy a karbantartás megkezdése előtt kapcsolja ki a készüléket és húzza ki a csatlakozódugót.

A zúzvara vagy a jég lekaparásához ne használjon éles eszközöket. (Lásd a leolvasztási utasításokat).

FIGYELMEZTETÉS: A leolvasztás meggyorsításához nem szabad mechanikai eszközöket vagy más módszereket használni.

Vigyázzon, hogy ne sérüljön meg a hűtőkör.

A gyártó által ajánlottakon kívül semmilyen elektromos készüléket nem szabad használni a készülék belsejében.

Szerviz

A készülék szervizelését csak szakképzett szerelő végezheti, és kizárólag eredeti tartalék alkatrészek használhatók.

- Semmilyen körülmények között se próbálja meg saját maga kijavítani a készüléket. A tapasztalatlan személyek által végzett javítások sérüléseket és komoly rendellenességeket okozhatnak. Vegye fel a kapcsolatot a helyi szervizközponttal.

A készülék élettartama végén

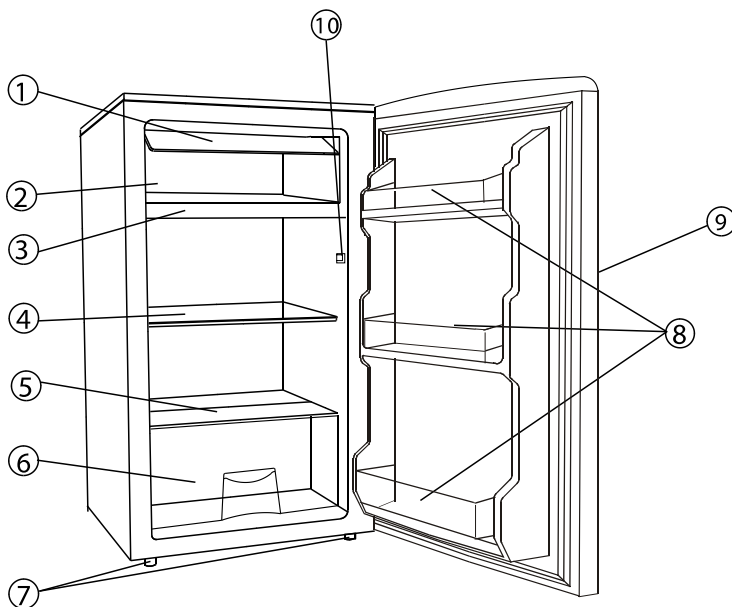
MEGJEGYZÉS: A régi borhűtő kiselejtezése előtt kapcsolja ki és csatlakoztassa le a készüléket az elektromos hálózatról. Vágja le és tegye használhatatlanná a csatlakozódugót. Ügyeljen arra, hogy az ajtó ne szorulhasson be (a legjobb, ha leszereli), függetlenül attól, hogy belülről ki lehet-e nyitni vagy sem.

A RÉGI BORHŰTŐ HALÁLÓS VESZÉLYT JELENTHET A GYERMEKEKRE!

FIGYELMEZTETÉS: Az üzemi élettartam végén a készüléket a WEEE-irányelvnek megfelelően kell ártalmatlanítani (lásd alább). A készülék R600a hűtőközeget, és a szigetelőhabban gyúlékony gázt tartalmaz.

- A borhűtő kiselejtezése előtt kapcsolja ki és csatlakoztassa le a készüléket az elektromos hálózatról. Vágja le és tegye használhatatlanná a csatlakozódugót.
- Ügyeljen arra, hogy az ajtót ne lehessen teljesen becsukni, függetlenül attól, hogy belülről ki lehet-e nyitni vagy sem (a legjobb, ha leszereli az ajtót). Kérjük, hogy a használatbavétel előtt olvassa el az utasítást, majd pedig őrizze meg, hogy később is belelapozhasson.

ALKATRÉSZEK ÉS TULAJDONSÁGOK



- (1) Negatív hőmérsékletű rekesz ajtó
- (2) Negatív hőmérsékletű rekesz
- (3) Csepegtetőtálca
- (4) A hűtőrekesz polcai
- (5) Üvegborítás
- (6) Tárolófiók
- (7) Szintbeállító lábak
- (8) Ajtórekeszek
- (9) Fogantyú
- (10) Ajtókapcsoló

2. Helyes beállítás

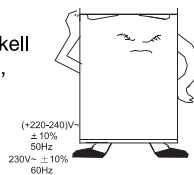
Megfelelő szellőzés

A megfelelő hőterjedéshez, a hűtőszekrény hatékony működésének eléréséhez és a kis energiafogyasztáshoz jó szellőzésnek kell lennie a hűtőszekrény körül. Ezért megfelelő szabad helynek kell lennie a hűtőszekrény körül. Hátlapja legalább 100 mm-re, oldalapjai legalább 100-100 mm-re legyenek a faltól, a készülék teteje fölött pedig legalább 200 mm szabad helyet kell hagyni. Szabad helyet kell hagyni az ajtó 160°-os nyitásához.



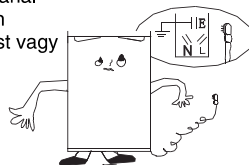
Áramellátás

A hűtőszekrény egyfázisú váltakozó árammal működik (220-240 V~/50 Hz; 230 V~/60 Hz). Ha a felhasználó lakóhelyén a feszültségingadozás olyan nagy, hogy a feszültség meghaladja a fenti értéket, akkor automatikus feszültségszabályozóval kell ellátni a hűtőszekrényt. A hűtőszekrényhez külön csatlakozóaljzatot kell biztosítani, nem szabad más elektromos készülékekkel közös csatlakozóaljzatot használni. A csatlakozódugót földelt csatlakozóaljzatba kell csatlakoztatni.



Hálózati csatlakozózsín

A készülék működése közben nem szabad a csatlakozózsínort meghosszabbítani vagy feltekercselni. Tilos továbbá a csatlakozózsínort a hűtőszekrény hátoldalánál lévő kompresszor közelében tartani, amelynek hőmérséklete működés közben meglehetősen nagy. A kompresszorral való érintkezés tönkreteszi a szigetelést vagy elektromos veszteséget okozhat.



Nedvesség elleni védelem

A fémrészek rozsdásodásának elkerülése érdekében ne tegye a hűtőszekrényt nagyon nedves helyre. Ezen kívül tilos a hűtőszekrényt közvetlenül vízzel permetezni, mert meggyengül a szigetelés és elektromos veszteség keletkezik.



2. Helyes beállítás

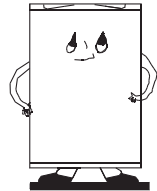
Hővédelem

A hűtőszekrényt hőforrástól vagy a közvetlen napsugárzástól távol kell elhelyezni.



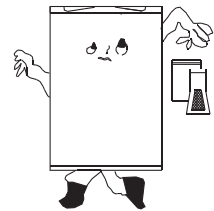
Stabil rögzítés

A hűtőszekrény elhelyezésére szolgáló padló legyen sima és szilárd. A hűtőszekrényt nem szabad puha anyagra, például műanyagbabra stb. helyezni. Ha a hűtőszekrény nincs szintben, akkor állítsa be a csavarokkal. A hűtőszekrényt nem szabad visszhangzó tárgyak mellé helyezni.



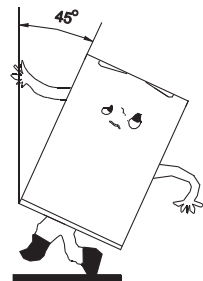
A veszélyek elkerülése

Nem tanácsos a hűtőszekrényt illékony vagy éghető anyagok, például gáz, benzin, alkohol, lakk és amil-acetát stb. közelében elhelyezni. A fent említett anyagok nem tárolhatók a hűtőszekrényben.



A készülék mozgatása

Rögzítéskor vagy mozgatáskor nem szabad a hűtőszekrényt lefektetni, 45 fokban szögben nagyobb mértékben megdőlni vagy felfordítani.



* Az élelmiszerekben lévő víz, vagy az ajtónyitáskor a hűtőszekrénybe kerülő levegő a készülék belsejében zúzmararéteget képezhet. Gyengíti a hűtőszekrényt, ha a zúzmararéteg vastag, így ha az eléri a 2 mm-es vastagságot, akkor leolvasztást kell végezni.

* A fagyasztórekesz leolvasztása manuálisan történik. A leolvasztás megkezdése előtt tegye át ideiglenesen az ételeket, a jégtálcát és a polcot a hideg tárolókamrába, majd pedig állítsa a hőmérsékletszabályozó gombot a „0” állásba (ekkor nem működik a kompresszor), és hagyja az ajtót nyitva, amíg a jég és a zúzmara leolvad a fagyasztórekesz aljáról. Puha ruhával itassa fel a vizet. A leolvasztás felgyorsítása érdekében egy edényben meleg vizet (kb. 50°C) tehet a fagyasztórekeszbe. A leolvasztás után ne felejtse el eredeti állásába visszaállítani a hőmérsékletszabályozó gombot.

* A belső burkolat alakváltozásának megelőzése érdekében nem tanácsos a fagyasztórekeszt forró vízzel vagy hajszárítóval közvetlenül melegíteni.

* Ugyancsak nem tanácsos éles eszközzel vagy farúddal lekaparni a jeget és a zúzmarát, vagy az edényhez fagyott ételt az edénytől elválasztani azért, hogy ne sérüljön meg a belső burkolat vagy a párologtató felülete.

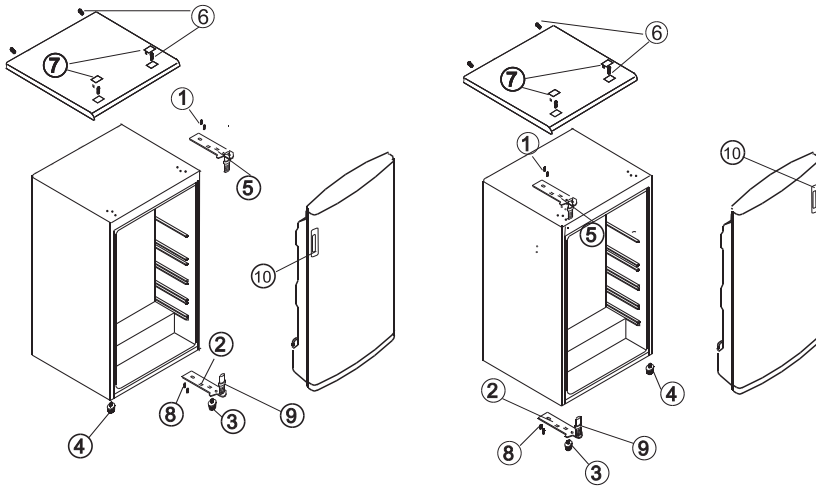
* Ha megsérült a készülék hálózati kábele, akkor azt csak a gyártó által kijelölt javítóműhely cserélheti ki, mert a cseréhez speciális célszerszámokra van szükség.

4. Az átállítható ajtó kicserélése

A hűtőszekrény csuklópántjai gyárilag a jobb oldalon vannak. Ha meg szeretné változtatni a nyitás irányát, akkor kövesse az alábbi utasítást:

1. A munkalap szétszereléséhez vegye le a kis műanyag takarót (7) és a munkalapot rögzítő csavarokat (6).
2. Vegye le a felső csuklópántot (5) (jobb oldal) a kerethez rögzítő két csavart (1). Vegye ki a felső csuklópántot (5).
3. Emelje le az ajtót, és a karcoldás megelőzése érdekében helyezze párnázott felületre.
4. Vegye le az alsó csuklópántot (2) tartó két csavart (8), majd vegye ki az alsó csuklópántot (2).
5. Vegye ki a bal első lábat (4) és tegye át a jobb oldalra.
6. Az alsó csuklópánt (2) elhelyezése előtt vegye ki a csapszeget (9) és fordítsa meg az alsó csuklópánt (2) irányát. Ezután szerelje fel az alsó csuklópántot (2) a két csavarral (8) az alsó keret bal oldalára.
7. Helyezze be a csapszeget (9) az alsó csuklópántba (2).
8. Az ajtót az alsó csuklópánthoz (2) illesztve tegye a helyére az ajtót.
9. Az ajtót csukott helyzetben tartva rögzítse a felső csuklópántot (5) a két csavarral (1) a bal oldali felső kerethez. Ne húzza meg teljesen a két csavart (1), amíg az ajtó teteje nincs egy szintbe állítva a pult tetejével.
10. Szerelje a munkalapot a szekrény tetejére a csavarokkal (6), és illessze be a kis műanyag takarót (7).
11. Tegye át az ajtófogantyút (10) a bal oldalról a jobb oldalra.

4. Az átállítható ajtó kicserélése



1.ÁBRA

2.ÁBRA

1. ÁBRA - AZ ALKATRÉSZEK ELHELYEZKEDÉSE AZ AJTÓ ÁTHELVEZÉSE ELŐTT.

2. ÁBRA - AZ ALKATRÉSZEK ELHELYEZKEDÉSE AZ AJTÓ ÁTHELVEZÉSE UTÁN.

5. Hibaelhárítás

1. Ha a hűtőszekrény nem működik
Ellenőrizze, hogy nincs-e áramszünet.

Ellenőrizze, hogy a csatlakozódugó be van-e dugva a csatlakozóaljzatba. Ellenőrizze, hogy nem égett-e ki a biztosíték.

2. Ha a hűtőszekrény túl erősen hűt
Lehet, hogy a hőmérsékletszabályozó tárcsa túl magas értékre van állítva.
Ha nagy nedvességtartalmú ételt helyez a hideglevegő-nyílások alá, akkor az étel könnyen megfagyhat. Ez nem minősül hibás működésnek.

3. Ha a hűtőszekrény nem hűt megfelelően
Az élelmiszerek túl szorosan vannak egymás mellett, ami akadályozza a hideg levegő áramlását. Meleg vagy túl sok élelmiszert helyezett a hűtőszekrénybe. Az ajtó nincs rendesen becsukva. Megsérült az ajtótomítás. A hűtőszekrény nem szellőzik. Nincs elegendő távolság a hűtőszekrény és a falak között vagy a hűtőszekrény fölött.

Lehet, hogy a hőmérsékletszabályozó tárcsa nincs megfelelően beállítva.

4. Ha a leolvadt víz túlcserdül a hűtőszekrény belsejében vagy a padlóra folyik
Ellenőrizze, hogy az elvezetőcső és az elvezetőtömlő nem tömődött-e el.
Ellenőrizze, hogy az elvezetőtálca megfelelően van-e elhelyezve.

5. Ha lecsapódás észlelhető a hűtőszekrény külső oldalán
Ha magas a páratartalom, például nedves időben, lecsapódás keletkezhet a hűtőszekrény külső oldalán. Ez ugyanolyan jelenség, mint amikor lehűtött vizet töltünk egy üvegpohárba. Ezért ez nem jelent hibát. Száraz ruhával törölje szárazra a felületet.

6. Ha vízáramláshoz hasonló hang hallható
A vízáramláshoz hasonló hang a hűtőközeg áramlásából keletkezik. Ez nem minősül hibának.

7. Ha a szekrény oldallapja felmelegszik
A szekrény oldallapja akkor melegszik fel, ha az ajtót gyakran nyitják vagy csukják, amikor bekapcsolódik a készülék, illetve amikor a készülék nyáron magas környezeti hőmérsékleten működik. Ebben az esetben ne érintse meg a lapot. A felmelegedés abból adódik, hogy a hő szétszóródik a szekrény belsejében, és nem azt jelenti, hogy valami baj van a hűtőszekrényvel.

6. Műszaki adatok

*A részletes műszaki adatokat lásd a hűtőszekrény hátoldalán elhelyezett adattáblán.

*A műszaki adatok előzetes értesítés nélkül változhatnak.

Před použitím spotřebiče

- Váš nový spotřebič je navržen výhradně pro použití v domácnosti.

K zajištění nejlepšího využití spotřebiče si pozorně přečtete návod k obsluze, který obsahuje popis spotřebiče a pokyny o skladování a uchovávání potravin. Uschovejte si tento návod pro použití v budoucnosti.


1. Po vybalení spotřebiče se ujistěte, zda spotřebič není poškozen a zda se dvířka zavírají správně. Jakékoliv poškození nahláste prodejci do 24 hodin od doručení spotřebiče.
2. Před zapnutím spotřebiče počkejte nejméně dvě hodiny, pro ustálení chladicího média.
3. Instalaci a připojení k elektrické síti by měl provádět kvalifikovaný servisní technik podle pokynů výrobce a v souladu s bezpečnostními předpisy.
4. Před použitím spotřebiče vyčistěte jeho vnitřní prostor.

1. Obaly

Obalový materiál je 100% recyklovatelný na kterém je uveden symbol recyklace. Při likvidaci postupujte podle místních předpisů. Plastové obaly (sáčky, polystyrenové díly, apod.) udržujte mimo dosahu dětí, protože představují možné nebezpečí.

2. Likvidace

Spotřebič je vyrobený z recyklovatelných materiálů. Tento spotřebič je označen v souladu s Evropskou směrnicí 2002/96/EC o Likvidaci elektrických a elektronických spotřebičů (WEEE). Zajištěním správné likvidace spotřebiče pomůžete chránit před možnými negativními vlivy na životní prostředí a zdraví lidí.

Symbol  na spotřebiči nebo v návodu znamená, že tento spotřebič nesmí být likvidován s domovním odpadem, ale musíte jej odnést do příslušného centra k recyklaci elektrických zařízení. Při likvidaci spotřebiče jej učiňte nepoužitelným přeriznutím přírodního kabelu a odstraněním dvířek a polic tak, aby děti nemohly po spotřebiči lézt nebo se uvítní případně uvěznit. Spotřebič likvidujte v souladu s místními předpisy o likvidaci, odnešte jej do specializovaného střediska; nenechávejte spotřebič bez dohledu ani na pár dní, protože je možným zdrojem nebezpečí pro děti.

Pro podrobnější informace o likvidaci a recyklaci spotřebiče kontaktujte místní samosprávu, recyklační středisko nebo prodejnu, kde jste spotřebič zakoupili.

Informace:

Tento spotřebič neobsahuje CFC (chladicí okruh obsahuje R134a) nebo HFC (chladicí okruh obsahuje R600a) (viz výrobní štítek uvnitř spotřebiče).

Spotřebiče s izobutanem (R600a): Izobutan je ekologický zemní plyn ale je hořlavý. Proto se ujistěte, zda nejsou poškozené trubky chladicího média.

Prohlášení o shodě

- Tento spotřebič je určen pro skladování potravin a je vyroben v souladu s evropskou směrnicí (EC) Č. 1935/2004.



- Tento spotřebič byl navržen, vyroben a prodává se v souladu s:
 - bezpečnostní směrnice o Nízkém napětí 73/23/EEC;
 - ochranné požadavky EMC směrnice 89/336/EEC, doplněné směrnicí 93/68/EEC.
- Elektrická bezpečnost spotřebiče je zajištěna pouze tehdy, pokud je připojen k účinnému a schválenému systému s uzemněním.

40



POZOR!



VYSOKÉ NAPĚTÍ

Nesnímejte kryty!
Uvnitř je vysoké napětí

Důležité bezpečnostní pokyny

Tato varování jsou v zájmu Vaší bezpečnosti. Před instalací nebo použitím spotřebiče si je důkladně přečtěte. Vaše bezpečnost je nejdůležitější. Pokud si nejste jisti významem varování, kontaktujte zákaznické středisko.

Instalace

- Tento spotřebič je těžký. Při přemísťování to berte v úvahu.
- Je nebezpečné měnit technické parametry nebo upravovat spotřebič jakýmkoliv způsobem.
- Zajistěte, aby spotřebič nestál na přívodním kabelu. Pokud je poškozen přívodní kabel, musí být vyměněný za speciální kabel z našeho servisního střediska.
- Jakékoliv elektronické zásahy k instalaci tohoto spotřebiče může provádět pouze kvalifikovaný servisní technik.
- Části, které se zahřívají, nesmí být odkryté. Kdykoliv je to možné, otočte zadní panel spotřebiče směrem k stěně ale ponechte požadovaný prostor pro větrání.
- Po instalaci nechte spotřebič před zapnutím v klidu 2 hodiny, pro stabilizaci chladicího okruhu.

POZOR: Spotřebič postavte na dobře větrané místo.

Bezpečnost dětí

- Tento spotřebič nesmí obsluhovat děti nebo nezpůsobilé osoby, pokud nejsou pod dohledem odpovědné osoby.
- Nedovolte dětem hrát si se spotřebičem.

Během provozu

- Spotřebič je navržen pouze pro použití v domácnosti, zejména ke skladování potravin.
- Mrazené potraviny po odmrazení opět nezmrazujte.
- V mrazáku neskladujte sycené nápoje.
- Zmrzlinu nekonzumujte ihned po vyjmutí z mrazáku, může dojít k „popálení mrazem“.
- Nevynávejte potraviny z mrazáku mokřýma nebo vlhkýma rukama, protože se můžete poranit.

Údržba a čištění

- Před jakoukoliv údržbou nejdříve spotřebič vypněte a odpojte od elektrické sítě.

- Nepoužívejte ostré předměty k odstraňování námrazy nebo ledu. (Viz pokyny k omrazování).

POZOR: Nepoužívejte mechanické náčiní ani jiné způsoby k urychlení odmrazování. Zabraňte poškození chladicího okruhu. Uvnitř spotřebiče nepoužívejte elektrické přístroje, kromě doporučených výrobcem.

Servis

- Spotřebič může opravovat pouze autorizovaný servis použitím originálních náhradních dílů. Seznam servisních partnerů je uvedeno na našich webových stránkách www.candy-hoover.cz v sekci servis.
- Za žádných okolností se nepokoušejte sami opravovat spotřebič. Opravy provedené nezkušenými osobami mohou způsobit úraz nebo poruchu. V případě potřeby kontaktujte autorizované servisní středisko.

Likvidace starého spotřebiče

Poznámka: Před likvidací starého spotřebiče jej vypněte a odpojte od elektrické sítě. Uřízněte přívodní kabel. Zajistěte, aby se dvířka nedaly zavírat (nejvhodnější je sundat), bez ohledu, zda je možné nebo nikoliv otevření zevnitř. STARÝ SPOTŘEBIČ PŘEDSTAVUJE RIZIKO PRO DĚTI!

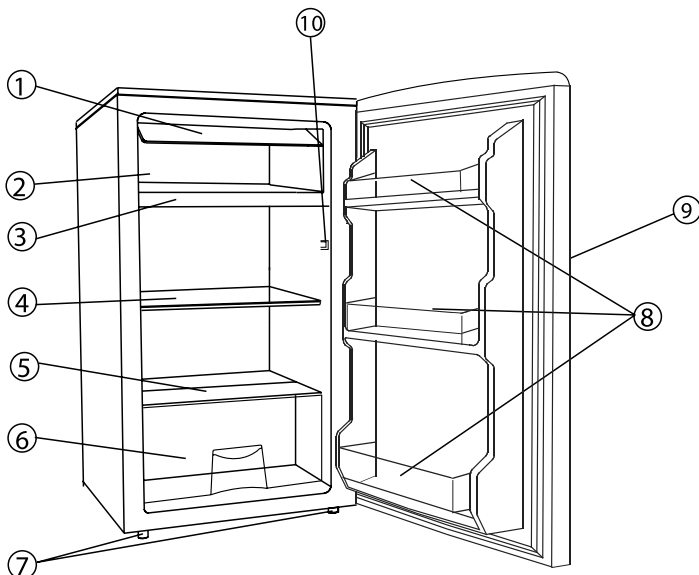
POZOR: Na konci životnosti spotřebiče jej musíte zlikvidovat v souladu s W.E.E.E směrnici. Váš spotřebič obsahuje R600a chladicí médium a hořlavý plyn v izolační pění.



Přečtěte si prosím tento návod pozorně před použitím a uschovejte pro případ použití v budoucnosti.

1. Popis spotřebiče

Části a funkce



- ① Dvířka mrazícího prostoru
- ② Prostor s minusovou teplotou
- ③ Odkapávací zásobník
- ④ Příhrádky chladničky
- ⑤ Skleněný kryt
- ⑥ Zásuvka
- ⑦ Nastavitelné nožičky
- ⑧ Příhrádky dvířek
- ⑨ Rukojeť
- ⑩ Spínač osvětlení

POZOR!



VYSOKÉ NAPĚTÍ

Nesnímejte kryty!

Uvnitř je vysoké napětí

2. Správné umístění

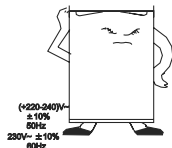
Dobré větrání

Pro odvod tepla, vysokou účinnost a nízkou spotřebu energie je potřebné dobré větrání. Proto nechejte kolem chladničky dodatečný volný prostor. Ze zadní strany nejméně 100 mm od stěny, po stranách spotřebiče nejméně 100 mm a z horní strany spotřebiče nejméně 200 mm. Volný prostor potřebný pro otevření dveří by měl být 160°.



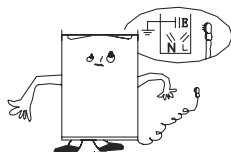
Napájení

Chladnička je vhodná na jednofázový střídavý proud (220-240)V~/50Hz; 230V~/60Hz. Pokud je kolísání proudu v různých zemích mimo uvedený rozsah, z důvodu bezpečnosti aplikuje automaticky napěťový regulátor. Chladnička musí obsahovat speciální vidlici přívodního kabelu namísto standardního. Její konektor musí odpovídat zásuvce s uzemňovacím vodičem.



Přívodní kabel

Kabel nesmí být prodlužován ani smotán do cívky během provozu. Dbejte na to, aby se přívodní kabel nedotýkal kompresoru na zadní stěně spotřebiče, protože povrch může být horký během provozu a kontakt s kabelem může poškodit izolaci a způsobit zkrat.



Ochrana proti vlhkosti

Neumísťujte chladničku na místa, kde je vysoký obsah vlhkosti, zabráníte tím možné korozi kovových částí. Spotřebič nesmí být vystaven vodě, protože to způsobí nesprávnou izolaci a zkrat.



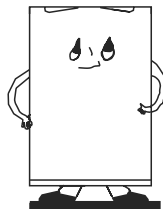
Ochrana před teplem

Spotřebič by měl být umístěn mimo zdrojů tepla a přímého slunečního záření.



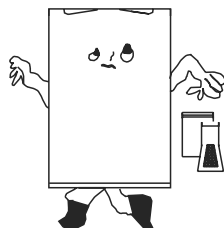
Vyvážení

Povrch, na kterém bude stát spotřebič musí být pevný a rovný. Nedoporučujeme žádný měkký povrch. Pokud není spotřebič vyvážen, přizpůsobte jej pomocí nastavitelných nožiček.



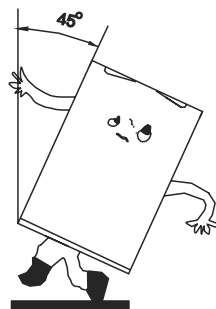
Zabraňte nebezpečí

Neumísťujte spotřebič do blízkosti hořlavých látek jako je plyn, benzín, alkohol, lak, acylacetát, atd. Tyto předměty nevkládejte do spotřebiče.



Přemísťování

Při přemísťování spotřebiče jej nenaklánějte horizontálně ani do úhlu pod 45°.



3. Upozornění

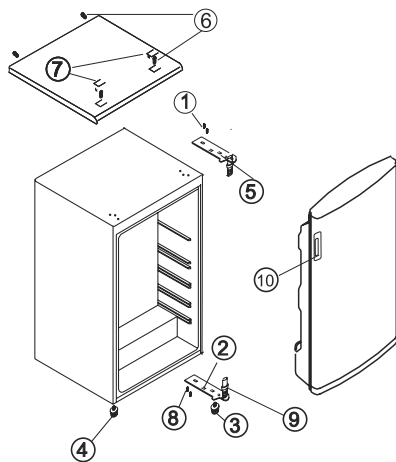
- Voda obsažena v potravinách nebo ve vzduchu se dostává do chladničky při otevření dveří a způsobuje formování námrazy, ovlivňuje správný chod chladničky v případě silné vrstvy. Když je silnější než 2 mm, musíte chladničku odmrazit.
- Odmrazování chladničky se provádí manuálně. Před odmrazováním vyjměte potraviny, zásobník ledu a dočasně uložte na chladné místo, poté nastavte ovladač teploty do pozice „0“ (kompresor přestane pracovat) a nechte otevřené dvířka, dokud se led a námraza nerozpustí na dno chladničky. Vodu utřete jemným hadrem. V případě urychlení odmrazování můžete umístit nádobu s horkou vodou (přibližně 50°C) do vnitřního prostoru chladničky. Po odmrazení nezapomeňte nastavit ovladač teploty do původní pozice.
- Není vhodné odmrazovat chladničku přímo horkou vodou nebo fénem na vlasy, protože můžete poškodit vnitřní prostor.
- Neodstraňujte led a námrazu ani neoddělujte potraviny, které jsou zmrazené dohromady, ostrými předměty nebo dřevěnými hůlkami, protože můžete poškodit vnitřní prostor chladničky nebo výparníku.
- Pokud je poškozen přívodní kabel spotřebiče, musí jej vyměnit servisní technik.

4. Pokyny ke změně směru otevírání dveří

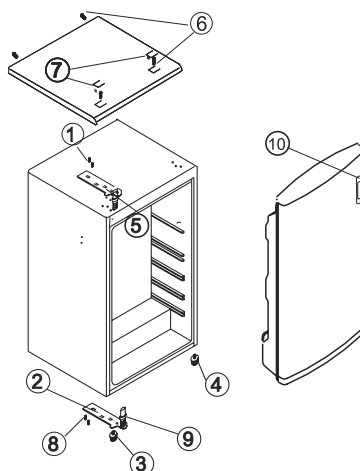
Chladnička je dodávána se závěsy dveří na pravé straně. Pokud chcete změnit směr otvírání, postupujte podle následujících pokynů:

1. Sundejte malý plastový kryt (7) a šrouby (6) upevňující pracovní desku.
2. Vyjměte dva šrouby (1), které drží horní závěs (5) (pravá strana) na chladniče. Sejměte horní závěs (5).
3. Nadzvedněte dveře a uložte je na měkký podklad, aby se nepoškrábaly.
4. Vyjměte dva šrouby (8), které drží spodní závěs (2) a sejměte spodní závěs (2).
5. Vyjměte přední levou nožičku (4) a přeložte ji na pravou stranu.
6. Před nasazením spodního závěsu (2) vyjměte kolík (9) a otočte směr spodního závěsu (2). Instalujte spodní závěs (2) na levou spodní stranu chladničky pomocí dvou šroubů (8).
7. Vsuňte kolík (9) do spodního závěsu (2).
8. Nasadte dveře na spodní závěs (2)
9. V uzavřené pozici dveří upevněte horní závěs (5) v horní levé části chladničky dvěma šrouby (1). Neutahujte dva šrouby (1), dokud nejsou dvěře srovnány s horním panelem spotřebiče.
10. Instalujte pracovní desku na skříňku spotřebiče pomocí šroubů (6) a nasadte malý plastový kryt (7).
11. Přemontujte rukojeť (10) z levé na pravou stranu.

4. Pokyny ke změně směru otevírání dveří



OBRÁZEK 1



OBRÁZEK 2

Obrázek 1: představuje pozici komponentů před výměnou závěsu dveří.

Obrázek 2: představuje pozici komponentů po změně závěsu dveří.

5. Odstranění případných problémů

1. Pokud chladnička nepracuje:
Zkontrolujte, zda není výpadek proudu.
Zkontrolujte, za je vidlice přívodního kabelu připojena k elektrické zásuvce.
Zkontrolujte, zda není vypálena pojistka.
2. Pokud chladnička příliš chladí:
Ovladač nastavení teploty je nastaven na vysokou hodnotu.
Pokud umístíte potraviny s velkým množstvím vlhkosti přímo pod výstup chladného vzduchu, rychle namrznou. Toto neznamená poruchu.
3. Pokud chladnička dostatečně nechladí:
Potraviny jsou baleny příliš těsně při sobě, což brání proudění chladného vzduchu.
Vložili jste něco horkého nebo velké množství do chladničky.
Dveře nejsou zavřené správně.
Těsnění dveří je poškozené.
Chladnička není větraná.
Je nedostatečný prostor mezi chladničkou a stěnami kolem spotřebiče a nad spotřebičem.
Nastavení teploty je nesprávné.
4. Při rozmrazování voda teče po vnitřku chladničky a na podlahu:
Zkontrolujte, zda není odtoková hadička ucpaná.
Zkontrolujte, zda je odkapávací zásobník umístěn správně.
5. Když se tvoří kondenzace na vnějších stěnách chladničky:
Kondenzace se může tvořit na vnějších stranách, když je vysoká vlhkost, například během vlhkého ročního období. Toto je stejný výsledek, jako když nalijete studenou vodu do sklenice. Nejedná se o závadu, proto vlhkost pouze otřete suchým hadrem.
6. Když slyšíte zvuk, jako když teče voda:
Zvuk tekoucí vody představuje tok chladicí náplně. Nejedná se o závadu.
7. Když se hřejí stěny chladničky:
Boční panel spotřebiče se ohřívá, pokud se dveře otevírají příliš často, při spuštění spotřebiče a když spotřebič pracuje v létě při vysoké okolní vlhkosti. V takovém případě se nedotýkejte panelu, je to výsledkem odvodu tepla zevnitř spotřebiče a nejedná se o poruchu chladničky.

6. Technické údaje

*Pro podrobnější technické informace viz výrobní štítek na zadním panelu chladničky.

*Právo na změnu technických údajů vyhrazené.

Informace pro uživatele k likvidaci elektrických a elektronických zařízení (domácnosti)



Tento symbol na produktech anebo v průvodních dokumentech znamená, že použité elektrické a elektronické výrobky nesmí být přidány do běžného komunálního odpadu.

Ke správné likvidaci, obnově a recyklaci doručte tyto výrobky na určená sběrná místa, kde budou přijata zdarma. Alternativně v některých zemích můžete vrátit své výrobky místnímu prodejci při koupi ekvivalentního nového produktu.

Správnou likvidací tohoto produktu pomůžete zachovat cenné přírodní zdroje a napomáháte prevenci potenciálních negativních dopadů na životní prostředí a lidské zdraví, což by mohly být důsledky nesprávné likvidace odpadů. Pro získání informací o likvidaci a recyklaci tohoto spotřebiče se prosím obraťte na společnost Elektrowin a.s. tel. 241 091 843 nebo www.elektrowin.cz, kde naleznete i seznam míst zpětného odběru.

Při nesprávné likvidaci tohoto druhu odpadu mohou být v souladu s národními předpisy uděleny pokuty.

Pro podnikové uživatele v zemích Evropské unie

Chcete-li likvidovat elektrická a elektronická zařízení, vyžádejte si potřebné informace od svého prodejce nebo dodavatele.

Informace k likvidaci v ostatních zemích mimo Evropskou unii

Tento symbol je platný jen v Evropské unii.

Chcete-li tento výrobek zlikvidovat, vyžádejte si potřebné informace o správném způsobu likvidace od místních úřadů nebo od svého prodejce.

ПЕРЕД ВВЕДЕННЯМ ПРИЛАДУ В ЕКСПЛУАТАЦІЮ

- Даний пристрій призначений для використання в домашніх умовах.

Просимо уважно ознайомитися з даною інструкцією, щоб правильно і швидко зрозуміти роботу нового пристрою. Підкресліть ті елементи, які у вашому розумінні є особливо важливими. Зберігайте цю інструкцію так, щоб в майбутньому можна було її ще раз прочитати, а також, у випадку передачі пристрою іншим особам, передати його разом з даною інструкцією.

1. Після того як Ви розпакували прилад, переконайтеся, що його не було пошкоджено під час транспортування. У разі виявлення будь-яких пошкоджень, зверніться до торгової організації протягом 24 годин.
2. Для гарантованого забезпечення правильного функціонування приладу зачекайте 2 години до того, як під'єднати його до головного джерела живлення.
3. Перш ніж під'єднати прилад до мережі електроживлення слід упевнитися, що значення напруги на щитку відповідає напрузі електричної мережі у Вашому помешканні.
4. Після встановлення добре вимийте внутрішні елементи теплою водою з оцтом.

ПЕРЕД ВИКОРИСТАННЯМ ПРИЛАДУ

1. Упаковка

Пакування приладу на 100% виконано з матеріалу, який слід утилізувати.

2. Цей прилад має маркування згідно з Європейською Директивою 2002/96/ЄС щодо відпрацьованого електричного та електронного устаткування (WEEE). Відповідна утилізація відпрацьованого продукту сприяє уникненню потенційно шкідливих для здоров'я людей і навколишнього середовища наслідків, причиною яких є неналежна утилізація відпрацьованого продукту.



■ Таке маркування вказує на те, що цей прилад не можна трактувати як комунальні відходи.

Продукт слід передати до відповідного пункту, який збирає електричне та електронне устаткування з метою рециклінгу.

Утилізація має проводитися згідно з місцевими нормативами щодо охорони навколишнього середовища, які стосуються утилізації відходів. Більш докладну інформацію на тему поводження, регенерації та рециклінгу цього продукту можна отримати в місцевих органах, комунальних службах або в магазині, у якому продукт був придбаний.

ІНФОРМАЦІЯ


Якщо у Вашій моделі використано холодоагент ізобутан R600a (інформація знаходиться на щитку всередині приладу), який є природним та нешкідливим для навколишнього середовища, проте легкозаймистим газом, потрібно дотримуватися заходів безпеки під час

транспортування та монтажу приладу таким чином, щоб не пошкодити жодний з елементів охолоджувального контуру. Якщо, незважаючи на запобіжні заходи, трапиться пошкодження, то необхідно уникати відкритого полум'я та джерел займання, а також провітрити приміщення на декілька хвилин.

ДЕКЛАРАЦІЯ ВІДПОВІДНОСТІ

Виробник нижчеописаного пристрою, про який йдеться далі, заявляє виключно на власну відповідальність, що цей продукт відповідає основним вимогам щодо безпеки та охорони здоров'я, викладеним у відповідних постановках ЄС, а також на вимогу відповідних органів влади доступними є результати тестів, які можуть вимагатися від продавця пристроїв, особливо по відношенню до Декларації відповідності CE, опублікованої виробником або за згодою виробника. **CE**

Додатково виробник заявляє, що описані в цій інструкції елементи пристрою, які безпосередньо використовуються у роботі зі свіжими харчовими продуктами, не містять жодних токсичних речовин.

 Цей пристрій відповідає сучасним вимогам правил безпеки. Також доводимо до Вашого відома, що цей виріб сертифікований згідно з вимогами безпеки органом по сертифікації промислової продукції Державним комітетом України з питань технічного регулювання та споживчої політики державна система сертифікації УкрСЕПРО.



Інструкції з техніки безпеки

Ця техніка призначена тільки для зберігання продуктів. Будь-яке інше використання вважається небезпечним, і виробник не несе відповідальність за будь-які збитки, пов'язані з таким використанням.

ВСТАНОВЛЕННЯ

Техніку необхідно установити таким чином, щоб завжди була можливість дістатися мережевого штепселя.

У разі пошкодження мережевого шнуру, його необхідно замінити, звернувшись до виробника, сервісного агента або персоналу аналогічної кваліфікації. Це забезпечить уникнення негативних наслідків.

Перед підключенням приладу до мережі, переконайтеся, що напруга на табличці технічних даних відповідає напрузі в Вашому домі. Табличка технічних даних знаходиться всередині приладу, в лівому нижньому куті холодильної камери.

Виробник не несе відповідальність за будь-яку шкоду, спричинену незаземленою системою електропроводки.

Після того, як Ви встановили холодильник, почекайте, принаймні, дві години, перед тим як його включити.

РЕКОМЕНДАЦІЇ

- Не зберігати у морозильній камері скляні пляшки або банки з рідиною (особливо газовані напої). Пляшки та банки можуть лопнути у процесі заморожування.

- Напої з високим вмістом спирту щільно закрити і зберігати в морозильній камері у вертикальному положенні.

- Уникайте контакту з охолоджувальними поверхнями, особливо мокрими руками. Це може призвести до опіків або поранень.

- Не слід класти до рота заморожені продукти та лід одразу після того, як їх витягнули з морозильної камери.

Чищення

Регулярно протирайте зовнішню поверхню холодильника вологою тканиною. Для чищення внутрішньої поверхні використовуйте розчин харчової соди і води. Не використовуйте абразивні засоби для чищення.

Відливний отвір розташовується в центрі задньої частини холодильника. Не блокуйте цей отвір та регулярно очищуйте його.

Застереження

• Не використовуйте адаптери та розгалужувачів, які можуть зумовити перегрівання і навіть займання приладу.

• Для під'єднання приладу не можна використовувати старі, деформовані кабелі живлення.

• Не можна згинати або скручувати кабелі живлення.

• Не дозволяйте дітям бавитися з приладом. Прослідкуйте, щоб діти В ЖОДНОМУ РАЗІ не сідали на полиці/ящики та не спиралися на дверцята приладу.

• Не застосовувати гострі металеві предмети для видалення шарів інею з камери морозильника, оскільки вони можуть пошкодити систему охолодження і спричинити пошкодження, які не підлягатимуть ремонту. Для видалення інею слід використовувати пластиковий скребок, який постачається разом із приладом.

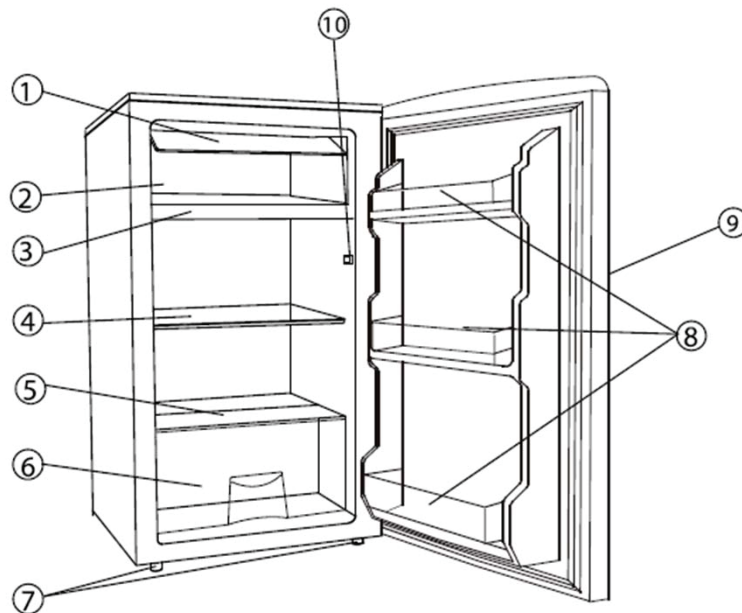
• Не під'єднуйте прилад до мережі електроживлення мокрими руками.

Даний пристрій не призначений для використання особами (дітьми) з обмеженими фізичними, чуттєвими або психічними можливостями, або особами, які не мають досвіду або не ознайомлені з пристроєм, експлуатація може відбуватися під наглядом або згідно з інструкцією експлуатації пристрою, переданої особами, які відповідають за їхню безпеку. Слід звертати увагу на дітей, щоб вони не гралися з пристроєм.



Будь-ласка
прочитайте уважно
дану інструкцію.

ОПИС ПРОДУКТУ



1. Дверцята морозильної камери.
2. Морозильна камера
3. Резервуар для стоку води
4. Полиці холодильного відділення
5. Складна полиця над ящиком для овочів
6. Ящик для овочів
7. Ножки, що регулюються
8. Дверні полиці
9. Ручка
10. Дверний вимикач

ПРАВИЛЬНЕ ВСТАНОВЛЕННЯ

Належна вентиляція

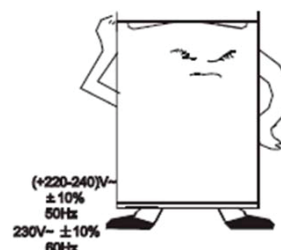
При встановленні приладу слід забезпечити хорошу вентиляцію повітря, це забезпечить вищу продуктивність роботи та знизить споживання електроенергії. Відстань між стіною та холодильником має бути не менша ніж 100 мм, бокова відстань між іншими предметами також має перевищувати 100мм, зверху відстань має бути не менше ніж 200 мм. Також слід залишити простір для відкриття дверцят 160°.



Електричне під'єднання

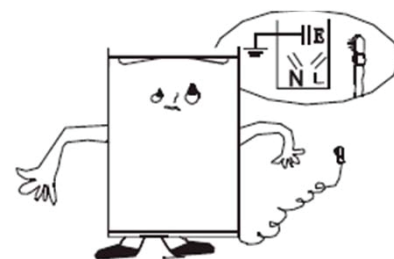
Під'єднайте прилад до мережі з напругою 220-240Вт і частотою 50Гц, або 230Вт і частотою 60Гц.

Перш ніж під'єднати прилад до мережі електроживлення слід упевнитися, що значення напруги на щитку відповідає напрузі електричної мережі у Вашому помешканні.



Шнур живлення

Не використовуйте адаптери та подовжувачі, які можуть зумовити перегрівання і навіть займання приладу. Прослідкуйте, щоб шнур не торкався до компресора, температура якого є досить високою. Це може спричинити пошкодження ізоляції.



Захист від вологи

Задля запобіганні появи корозії, не ставте прилад в приміщенні з високим рівнем вологи. Забороняється виливати воду на прилад, щоб не було короткого замикання.



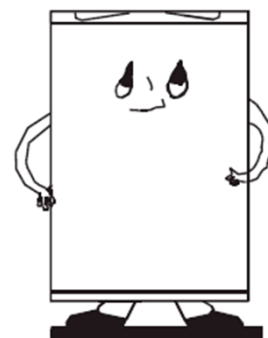
Захист від перегрівання

Слід уникати високої температури та прямого сонячного світла. Рекомендуємо встановлення пристрою в холодному, сухому, добре провітрюваному приміщенні. Установка близько до джерела тепла (обігрівачів, плит і т.д.) є категорично неправильною (оскільки це призведе до перенавантаження компресора, а відповідно до значного підвищення споживання електроенергії).



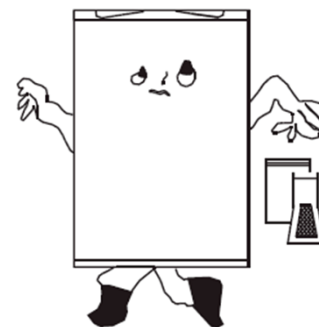
Належна фіксація

Встановіть прилад на горизонтальній поверхні у стабільне та рівне положення. З цією метою слід використати дві передні ніжки, які допомагають знівелювати нерівності підлоги.



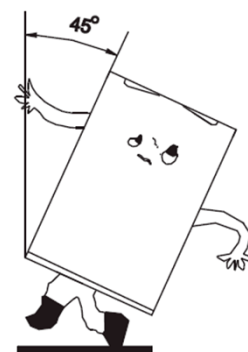
Подалі від небезпеки

Не рекомендовано встановлювати прилад біля таких легкозаймистих речовин, як газовий балон, канистра з бензином, резервуар з пальмовою олією і т.д.



Транспортування

При транспортуванні холодильник не можна нести в горизонтальному положенні або під нахилом більше ніж 45° , або догори низом.



УВАГА!

❖ Волога, яка міститься всередині продуктів чи яка потрапляє в середину при відкриванні дверцят, може утворювати іній на стінках холодильника. Товстий шар льоду може зменшити ефективність роботи приладу. Коли наліт буде більше 2 мм, холодильник слід розморозити.

❖ Рекомендується розморозувати холодильник кожен раз, коли утворюється товстий шар інею. Для прискорення процесу розморозування залиште дверцята холодильника відкритими, а саму техніку вимкніть. Для видалення льоду з внутрішньої частини не використовуйте гострі або механічні предмети (ножі, ножиці або будь-які інші предмети, крім рекомендованих заводом-виробником). Це допоможе запобігти пошкодженню контуру циркуляції хладагенту.
ПРИМІТКА: невелика кількість льоду на задній панелі холодильника є нормальним явищем.

❖ Не рекомендовано при розмороженні морозильної камери використовувати гарячу воду чи фен, це може призвести до деформації внутрішніх частин камери.

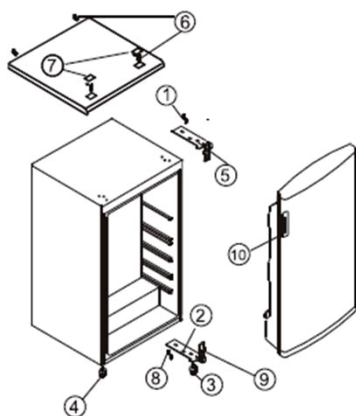
❖ Завжди витягуйте мережевий штепсель з розетки, перед тим як почати чистити/розморозувати холодильник, або перед тим як змінити лампочку і т.д.

❖ У разі пошкодження мережевого шнуру, його необхідно замінити, звернувшись до виробника, сервісного агента або персоналу аналогічної кваліфікації. Це забезпечить уникнення негативних наслідків.

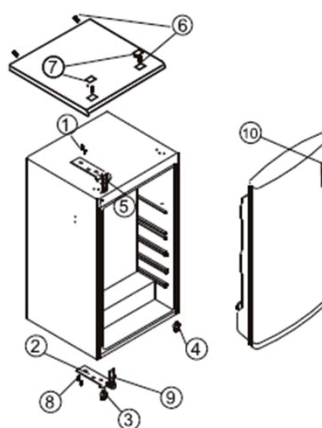
ПЕРЕНАВІШУВАННЯ ДВЕРЦЯТ

На заводі дверні петлі встановлюються з правої сторони, для того що змінити напрямок відкривання дверцят виконайте наступні дії:

1. Вийміть пластикові заглушки (7) та гвинти (6), які фіксують верхню кришку.
2. Відгвинтіть два гвинта (1), що фіксують верхню петлю (5). Зніміть петлю.
1. Припідніміть дверцята та підтримуйте, щоб вони не подряпалися.
2. Відгвинтіть два гвинта (8), які тримають нижню петлю (2). Зніміть петлю.
3. Зніміть ліву передню ніжку (4) і перемістіть її на праву сторону.
4. Перед встановленням нижньої петлі (2) зніміть фіксуючий гвинт (9) і змініть напрямок петлі. Потім встановіть нижню петлю (2) з іншої сторони на пригвинтіть гвинтом (8).
5. Вставте фіксуючий гвинт (9) в нижню петлю (2).
6. Встановіть дверцята, переконавшись, що вони зафіксовані ні нижній петлі.
7. Підтримуючи дверцята та встановіть верхню петлю (5), зафіксуйте петлю гвинтами (1).
8. Встановіть верхню кришку за допомогою гвинтів (6). Та вставте заглушки (7).
9. Перевісьте дверну ручку (10).



Мал. 1



Мал. 2

На малюнку 1 зображено початковий етап.

На малюнку 2 зображено завершальний етап.

Усунення несправностей

Якщо у Вас виникли будь-які труднощі, будь ласка, зв'яжіться з нашою сервісною службою. Проте невеликі або очевидні несправності часто можна вирішити самостійно. Насправді, несправності можуть бути викликані неправильним використанням або установкою або непридатними зовнішніми умовами, і в цих випадках відповідальність за усунення несправностей залишається за Вами.

ХОЛОДИЛЬНИК НЕ ПРАЦЮЄ

- Переконайтеся, що мережевий штепсель вставлений в розетку до кінця.
- Переконайтеся, що терморегулятор не встановлений в положенні «0» або Стоп.
- Переконайтеся, що є електроживлення.

ТЕМПЕРАТУРА В ХОЛОДИЛЬНИКУ НЕДОСТАТНЬО НИЗЬКА

- Переконайтеся, що терморегулятор встановлений правильно. Встановіть більш низьку температуру.
- Переконайтеся, що двері холодильника не були залишені відкритими надто довго.
- Переконайтеся, що Ви не зберігаєте занадто багато продуктів у холодильнику.
- Переконайтеся, що Ви не поклали гарячі продукти в холодильник.

ЗАНАДТО БАГАТО ІНЕЮ

- Переконайтеся, що двері холодильника не були залишені відкритими надто довго. Вимкніть холодильник, розморозьте, а потім увімкніть його знову.
- Переконайтеся, що терморегулятор не встановлений на занадто низькій температурі. Встановіть більш високу температуру.

ЗАНАДТО БАГАТО КОНДЕНСАЦІЇ

- Переконайтеся, що двері холодильника не були залишені відкритими надто довго.
- Переконайтеся, що Ви не зберігаєте занадто багато продуктів у холодильнику.
- Переконайтеся, що Ви не поклали гарячі продукти в холодильник.

ВОДА В МОРОЗИЛЬНІЙ КАМЕРІ

- Кілька крапель води на стінках холодильника є нормальним явищем, особливо якщо в кімнаті підвищена вологість.
- Переконайтеся, що відливний отвір не заблоковано.

ОСВІТЛЕННЯ НЕ ПРАЦЮЄ

- Переконайтеся, що мережевий штепсель вставлений в розетку до кінця.
- Переконайтеся, що є електроживлення.
- Щоб зняти лампочку, дотримуйтесь інструкцій, що містяться в технічному описі приладу або в даному керівництві.

Якщо проблема не була усунена, зверніться в нашу сервісну службу, вказавши номер приладу і серійний номер з таблички технічних даних.

7. ТЕХНІЧНІ ДАНІ

*Деталі щодо технічних особливостей приладу, можна знайти на таблиці на задній стінці холодильника.

* Виробник має право вдосконалювати технічні особливості не попереджаючи про це.

Шановні клієнти, разом з інструкцією по експлуатації, ми рекомендуємо прочитати вказівки зазначені в цьому інформаційному листі. Тут вказана інформація з техніки безпеки та користування шкалою температури повітря. Якщо в Вашому приладі бракує шкали температури повітря зверніться до продавця.

1. Найхолодніша зона в холодильному відділенні

Даний символ позначає найхолоднішу зону в холодильному відділенні.

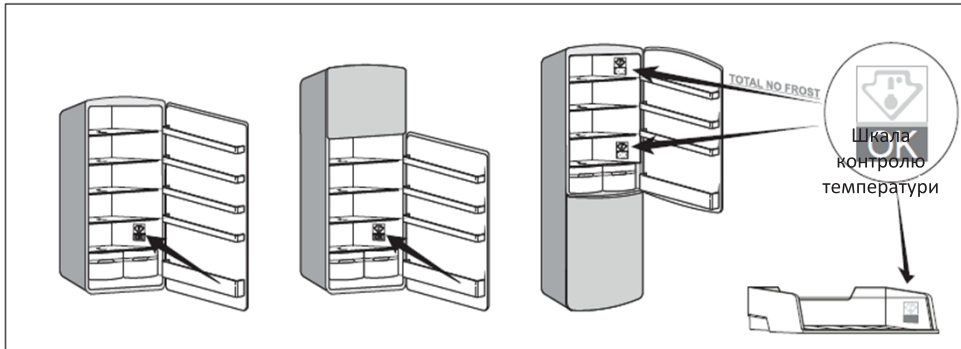


2. Індикатор температури повітря

Щоб допомогти Вам правильно налаштувати Ваш холодильник, ми додаємо шкалу регулювання температури, яка буде визначати температуру в зоні, яка має бути найхолоднішою.

УВАГА: Індикатор був розроблений для застосування тільки в даній моделі. Його не можливо використовувати в інших холодильниках, чи для якихось інших цілей.

ЗОНА КОНТРОЛЮ ТЕМПЕРАТУРИ



КОНТРОЛЬ ТЕМПЕРАТУРИ

Використовуючи регулятор температури повітря у Вас буде можливість постійно контролювати, щоб температура самої холодної була на належному рівні. Якщо шкала нічого не показує, то необхідно змінити положення термостата.

Температура в кімнаті та частота відкриття холодильного відділення впливають на температуру в середині холодильника.

Щоб підтримувати потрібну температуру, слідкуйте за тим, щоб шкала була зеленого кольору. (ма.1)

Якщо шкала контролю температури стала білого кольору (ма.2), це означає, що температура надто висока. Потрібно переналаштувати термостат і через 12 годин перевірити шкалу ще раз. Після вимкнення приладу з мережі або при відкритих дверцятах шкала почне біліти.



Мал. 1



Мал. 2

3. ПРАВИЛА ЗБЕРІГАННЯ ПРОДУКТІВ ТА ПРАВИЛА КОРИСТУВАННЯ ХОЛОДИЛЬНИКОМ

Правильне користування холодильником, збільшить термін зберігання ваших продуктів.

Для уникнення появи бактерій регулярно протирайте в середині холодильного відділення м'якою тканиною та водою з додаванням антибактеріальних речовин.

Перш ніж покласти продукти до холодильника, завжди знімайте зовнішню упаковку (наприклад картонну упаковку з йогуртів). Щоб уникнути взаємного забруднення завжди обгортайте кожен продукт окремою плівкою.

Ніколи не кладіть до холодильника кухонне приладдя, яким вже користувалися і не помили (наприклад ножі, виделки на яких є шматочки їжі).

Покладіть продукти так, щоб забезпечити належну циркуляцію повітря.

Продукти розміщайте відповідно від їх природного походження та особливостей. В зону найбільшого охолодження слід класти наступні продукти: м'ясо, птиця, сосиски, приготовані страви, салати, яйця, молочні продукти, тісто, піца, сир, овочі та всі ті продукти, які мають зберігатися при температурі +4° або нижче.





Безпека дітей та людей з обмеженими можливостями

Українська:

Даний пристрій не призначений для використання особами (дітьми) з обмеженими фізичними, чуттєвими або психічними можливостями, або особами, які не мають досвіду або не ознайомлені з пристроєм, експлуатація може відбуватися під наглядом або згідно з інструкцією експлуатації пристрою, переданої особами, які відповідають за їхню безпеку.

Слід звертати увагу на дітей, щоб вони не гралися з пристроєм.



Обережно: ризик займання

Якщо у Вашій моделі використано холодоагент ізобутан R600a (інформація знаходиться на щитку всередині приладу), який є природним та нешкідливим для навколишнього середовища, проте легкозаймистим газом, потрібно дотримуватися заходів безпеки під час транспортування та монтажу приладу таким чином, щоб не пошкодити жодний з елементів охолоджувального контуру. Якщо, незважаючи на запобіжні заходи, трапиться пошкодження, то необхідно уникати відкритого полум'я та джерел займання, а також провітрити приміщення на декілька хвилин.

УВАГА – не зберігайте в холодильнику вибухонебезпечні предмети, такі як аерозолі.

ÎNAINTE DE UTILIZAREA APARATULUI

Acest aparat este destinat numai pentru uz casnic.

Pentru ca acest aparat să funcționeze în cele mai bune condiții, citiți cu atenție instrucțiunile referitoare la prezentarea aparatului și recomandările privind depozitarea și păstrarea alimentelor.

Păstrați acest manual pentru referințe ulterioare.

1. După îndepărtarea ambalajului, verificați ca aparatul să nu prezinte deteriorări și ușa să se închidă etanș. Orice deteriorare a aparatului trebuie anunțată în maximum 24 de ore de la livrarea aparatului.
2. Așteptați cel puțin 2 ore înainte de a pune aparatul în funcțiune, pentru a se asigura o funcționare eficientă a circuitului de refrigerare.
3. Verificați ca instalarea și conexiunile electrice să fie realizate de către o persoană calificată, în conformitate cu recomandările producătorului și reglementările locale în vigoare.
4. Curățați interiorul aparatului înainte de a îl pune în funcțiune.


ÎNAINTE DE UTILIZAREA APARATULUI

1. Ambalajul

Materialul utilizat pentru ambalare este reciclabil 100% și este marcat cu simbolul de reciclare. Vă rugăm să respectați reglementările locale referitoare la reciclarea ambalajului. Nu lăsați materialul de ambalare (folie de plastic, bucăți de polistiren etc.) la îndemâna copiilor, deoarece acestea reprezintă o potențială sursă de pericol.

2. Reciclare

Acest aparat este realizat din materiale reciclabile. Acest aparat este marcat în conformitate cu Directiva Europeană CE/96/2002 referitoare la eliminarea deșeurilor de echipamente electrice și electronice (DEEE). Prin reciclarea corespunzătoare a acestui aparat puteți contribui la reducerea unor potențiale consecințe negative asupra mediului și sănătății persoanelor.

Simbolul  de pe aparat sau de pe documentația aferentă acestuia indică faptul că acest aparat nu trebuie reciclat împreună cu gunoiul menajer ci trebuie reciclat la centrele speciale pentru eliminarea deșeurilor de echipamente electrice și electronice. În momentul în care doriți să nu mai utilizați aparatul, trebuie să îi tăiați cablul de alimentare, să scoateți ușa și rafturile din interiorul aparatului, astfel încât copiii să nu se poată urca pe acestea. Aparatele trebuie reciclate la centrele specializate. Nu lăsați aparatul nesupravegheat, deoarece reprezintă un potențial pericol pentru copii. Pentru mai multe informații referitoare la depozitarea și reciclarea aparatelor uzate, vă rugăm să luați legătura cu autoritățile locale sau cu

Informație:

Acest aparat nu conține CFC (circuitul de refrigerare conține R134a) sau HFC (circuitul de refrigerare conține R600a) (verificați plăcuța cu date tehnice din interiorul aparatului).

Aparate cu izobutan (R600a):

Izobutanul este un gaz natural care nu are impact asupra mediului dar este inflamabil. De aceea, conductele agentului de refrigerare nu trebuie să fie deteriorate.

Declarație de conformitate

Acest aparat este destinat pentru depozitarea alimentelor și este produs în conformitate cu reglementarea europeană (CE) nr. 1935/2004



Acest aparat a fost proiectat, produs și marcat în conformitate cu:

- măsurile de siguranță din Directiva referitoare la voltajul scăzut 73/23/EEC

- cerințele de protecție ale Directivei referitoare la compatibilitatea electromagnetică 89/336/EEC modificată prin directiva 93/68/EEC

Siguranța electrică este garantată numai dacă aparatul este conectat la un sistem electric prevăzut cu un sistem de împământare eficient și aprobat. magazinul de unde ați achiziționat aparatul.



MĂSURI IMPORTANTE PRIVIND SIGURANȚA

Aceste avertizări sunt furnizate pentru siguranța dumneavoastră. Vă recomandăm să le citiți cu atenție înainte de a instala sau utiliza aparatul. Siguranța dumneavoastră este extrem de importantă. În cazul în care aveți nelămuriri cu privire la anumite avertizări sau atenționări, vă rugăm să luați legătura cu un centru de service autorizat.

Instalare

- Acest aparat este greu. Trebuie deplasat cu atenție.
- Este interzisă modificarea aparatului în vreun mod.
- Verificați ca aparatul să nu fie așezat pe cablul de alimentare. În cazul în care cablul de alimentare este deteriorat, acesta trebuie înlocuit numai de către personalul calificat de la centrele de service autorizate sau de către un electrician calificat, pentru a se evita orice pericol.
- Orice lucrări electrice necesare pentru instalarea acestui aparat trebuie realizate de către un electrician autorizat sau de către o persoană calificată.
- Părțile care se încălzesc nu trebuie expuse la acțiunea directă a luminii sau soarelui. Pe cât posibil, aparatul trebuie așezat cu spatele către un perete însă trebuie lăsat un spațiu de ventilație, așa cum este specificat în instrucțiunile de instalare.
- Acest aparat trebuie lăsat după instalare 2 ore înainte de a fi pus în funcțiune, astfel ca agentul de refrigerare să se distribuie uniform.

AVERTIZARE: Nu blocați fantele de ventilație în cazul în care aparatul este încorporat în mobilier.

Siguranța copiilor

- Este interzisă utilizarea acestui aparat de către copii sau de către persoanele cu dizabilități, fără supravegherea atentă a unui adult responsabil.
- Copii trebuie supravegheați și nu trebuie să li să permită să se joace cu acest aparat.

În timpul utilizării

- Acest aparat este destinat numai pentru uz casnic, în special pentru depozitarea alimentelor.
- Nu depozitați băuturi carbogazoase sau acide în compartimentul de temperatura negativă.
- Nu se recomandă consumarea de înghețată imediat după ce a fost scoasă din compartimentul de temperatura negativă.

Curățare și întreținere

- Opriți funcționarea aparatului și scoateți ștecherul cablului de alimentare din priză înainte de a efectua orice operațiune de curățare sau întreținere.

- Nu utilizați instrumente ascuțite pentru a îndepărta depunerile de gheață (vezi instrucțiunile de decongelare)

AVERTIZARE: Nu utilizați dispozitive mecanice sau alte mijloace pentru a accelera procesul de decongelare, altele decât cele recomandate de către producător.

Nu deteriorați circuitul de refrigerare.

Nu utilizați aparate electrice în interiorul

compartimentelor de depozitare ale aparatului dacă acestea nu sunt recomandate de către producător.

Service

- Orice verificare sau reparație trebuie efectuată numai de către un tehnician calificat de la un centru de service autorizat.
- Nu încercați să reparați dumneavoastră acest aparat. Reparațiile efectuate de către persoane nespecializate pot provoca deteriorări ale aparatului. Luați legătura cu centrele de service autorizate.

La finalul duratei de utilizare a aparatului

OBSERVAȚIE: Înainte de a recicla produsul, opriți funcționarea acestuia și scoateți ștecherul cablului de alimentare din priză. Tăiați cablul de alimentare și verificați ca ușa să rămână închisă. Se recomandă scoaterea acesteia.

APARATELE UZATE CARE NU MAI SUNT UTILIZATE SUNT EXTREM DE PERICULOASE PENTRU COPII!

ATENȚIE: La finalul duratei de utilizare a aparatului, acesta trebuie reciclat în conformitate cu directiva DEEE. Acest aparat conține agent de refrigerare R600a și gaz inflamabil în spuma izolatoare.

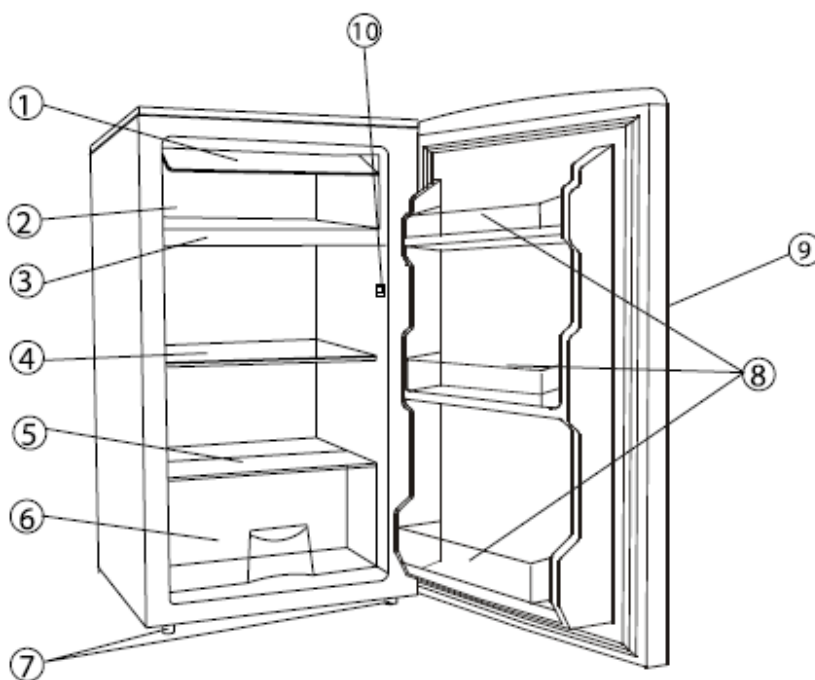
- Înainte de a recicla produsul, opriți funcționarea acestuia și scoateți ștecherul cablului de alimentare din priză. Tăiați cablul de alimentare.
- Verificați ca ușa să nu rămână închisă. Se recomandă scoaterea acesteia.



Vă rugăm să citiți cu atenție acest manual înainte de utilizarea aparatului și să îl păstrați pentru referințe ulterioare.

1. Părți componente

PĂRȚI COMPONENTE ȘI CARACTERISTICI



1. Ușă compartiment temperatura negativa
2. Compartiment temperatura negativa de 1 *
3. Tavă colectoare
4. Rafturi frigider
5. Capac de sticlă
6. Cutie pentru fructe și legume
7. Picioare reglabile
8. Rafturi pe ușă
9. Mâner
10. Sistem închidere ușă

2. Amplasare corectă

Ventilație corespunzătoare

Trebuie asigurată o ventilație corespunzătoare în jurul aparatului astfel încât căldura să se disipeze ușor și să se asigure o refrigerare eficientă și un consum redus de energie. În acest scop, trebuie lăsat un spațiu suficient în jurul frigiderului. Spațiul dintre spatele aparatului și perete trebuie să fie de cel puțin 100mm și distanța de deasupra să fie de cel puțin 200mm. Spațiul din fața aparatului trebuie să permită deschiderea ușii la 160°.



Sursa de alimentare

Aparatul trebuie conectat numai la o priză de curent alternativ monofazic (220-240V ~/50Hz; 230V~/60Hz). În cazul în care fluctuațiile de curent din zona în care locuiți nu se încadrează în limitele menționate mai sus, pentru mai multă siguranță, se recomandă instalarea unui dispozitiv de reglare automată a voltajului. Acest aparat trebuie alimentat de la o priză separată. Priza trebuie să fie prevăzută cu împământare.



Cablul de alimentare

Cablul de alimentare nu trebuie răsucit sau întins prea puternic. Se interzice menținerea cablului de alimentare pe compresorul amplasat în partea din spate a aparatului, deoarece suprafața acestuia este destul de ridicată în timpul funcționării aparatului. Atingerea cablului de alimentare poate duce la dezactivarea izolației sau există pericolul scurgerii de electricitate.



Protecție împotriva umezelii

Evitați amplasarea frigiderului în locuri cu multă umezeală pentru a minimiza posibilitatea ca părțile din metal să ruginescă. În plus, se interzice stropirea cu apă a aparatului pentru a se evita dezactivarea izolației sau pericolul scurgerii de electricitate.



2. Amplasare corectă

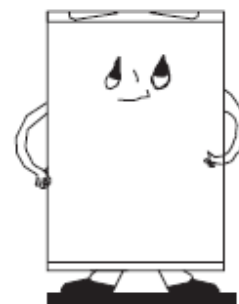
Protecție împotriva căldurii

Frigiderul trebuie amplasat la distanță de orice sursă de căldură și trebuie evitată lumina directă a soarelui.



Amplasare

Suprafața pe care va fi așezat frigiderul trebuie să fie uniformă și stabilă. Aparatul nu trebuie așezat pe materiale moi cum ar fi burete etc. În cazul în care frigiderul nu este așezat la nivel, reglați înălțimea picioarelor frigiderului. Aparatul nu trebuie așezat lângă obiecte care pot produce ecou.



Eliminarea riscurilor

Se interzice amplasarea lângă frigider a unor substanțe volatile sau combustibile cum ar fi gaz, petrol, alcool, lacuri și diluanți etc. Se interzice depozitarea substanțelor mai sus menționate în frigider.



Deplasare

Când este fix sau deplasat, frigiderul nu poate fi așezat pe orizontală sau înclinat la mai mult de 45°.



3. Avertizări

- Apa din alimente sau aerul care pătrunde în interiorul frigiderului prin deschiderea ușii duc la formarea unui strat de gheață în interiorul aparatului. Când grosimea stratului de gheață este mai mare de 2mm, trebuie să decongeleți aparatul.

- Decongelarea compartimentului de temperatura negativa se realizează manual. Înainte de a realiza decongelarea, scoateți alimentele, tava pentru cuburi de gheață și raftul și setați butonul pentru reglarea temperaturii la poziția 0 (compersorul se va opri din funcționare). Lăsați ușa deschisă pentru ca gheața să se topească. Ștergeți apa acumulată în partea de jos a compartimentului cu o lavetă uscată. În cazul în care doriți să accelerați procesul de decongelare, puneți un bol cu apă caldă (circa 50⁰) în compartiment. După terminarea procesului de decongelare, readuceți butonul pentru setarea temperaturii la poziția originală.

- Nu se recomandă utilizarea de apă fierbinte sau a unui uscător de păr în timpul realizării decongelării pentru a se preveni deformarea părților din inteiorul aparatului.

- Se interzice utilizarea unor instrumente ascuțite pentru îndepărtarea stratului de gheață de pe alimente sau de pe pereții frigiderului, pentru a se preveni deteriorarea pereților din interiorul aparatului sau a suprafeței evaporatorului.

- În cazul în care cablul de alimentare este deteriorat, acesta trebuie înlocuit sau reparat numai de către un tehnician de la un centru de service autorizat.

4. Schimbarea sensului de deschidere a ușii

Acest frigider este livrat din fabricație cu balamalele ușii pe partea dreaptă. În cazul în care doriți să modificați sensul de deschidere a ușii, procedați astfel:

1. Scoateți capacele mici de plastic (7) și șuruburile (6) care fixează blatul superior pentru a demonta blatul.
2. Deșurubați ele două șuruburi (1) care mențin balamaua superioară (5) (din partea dreaptă) pe cadru. Scoateți balamaua superioară (5).
3. Ridicați ușa și așezați-o pe o suprafață moale, pentru a preveni zgârierea acesteia.
4. Scoateți cele două șuruburi (8) care mențin balamaua inferioară (2) și scoateți balamaua inferioară (2).
5. Scoateți piciorul din stânga față (4) și transferați-l pe partea dreaptă.
6. Înainte de a fixa balamaua inferioară (2), scoateți bolțul de prindere (9) și inversați direcția balamalei inferioare (2). Apoi, instalați balamaua inferioară (2) pe partea stângă a cadrului inferior cu ajutorul a două șuruburi (8).
7. Introduceți bolțul de prindere (9) în balamaua inferioară (2).
8. Așezați ușa pe poziție, verificând ca ușa să fie fixată pe balamaua inferioară (2).
9. În timp ce ușa se află în poziția închis, fixați balamaua superioară (5) pe cardul superior, în stânga, cu două șuruburi (1). Dorim să vă atragem atenția să nu strâbgeți cele două șuruburi (1) decât după ce ușa s-a aliniat cu blatul.
10. Fixați blatul superior cu ajutorul șuruburilor (6) și acoperiți șuruburile cu căpăcelele de plastic (7).
11. Scoateți mânerul ușii (10) și fixați-l din stânga în dreapta.

4. Schimbarea sensului de deschidere a ușii

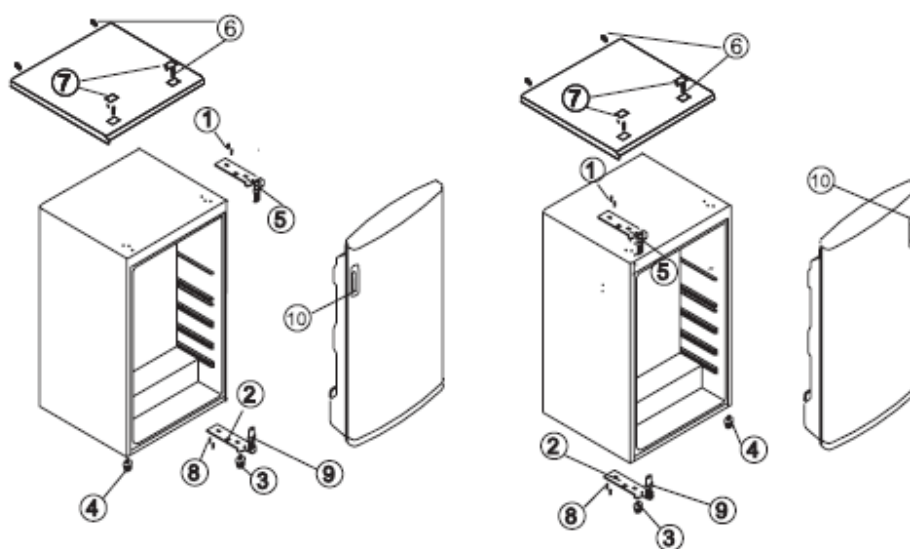


FIGURA 1

FIGURA 2

FIGURA 1 – POZIȚIA PĂRȚILOR COMPONENTE ÎNAINTE DE SCHIMBAREA SENSULUI DE DESCHIDERE A UȘII

FIGURA 2 – POZIȚIA PĂRȚILOR COMPONENTE DUPĂ SCHIMBAREA SENSULUI DE DESCHIDERE A UȘII

5. Probleme în funcționare

1. Dacă frigiderul nu funcționează
Verificați dacă este o întrerupere a alimentării cu energie.
Verificați dacă ștecherul cablului de alimentare este introdus în priză.
Verificați siguranța.
2. Dacă frigiderul răcește prea puternic.
Este posibil ca butonul pentru setarea temperaturii să fie reglat la o temperatură prea ridicată.
Dacă așezați direct sub orificiile de aer rece alimente care au un conținut mare de apă, acestea se vor congela mai rapid. Aceasta nu este o problemă de funcționare a aparatului.
3. Dacă frigiderul nu răcește suficient.
Pachetele cu alimente sunt prea înghesuite și se blochează fluxul de aer.
Ați introdus alimente calde sau prea multe alimente în frigider.
Este posibil ca ușa să nu fie bine închisă.
Garnitura de etanșare a ușii este deteriorată.
Nu este asigurată o ventilație optimă a aparatului.
Nu este spațiu suficient între frigider și celelalte obiecte din jurul acestuia.
4. Dacă în interiorul frigiderului și pe podea se scurge apă.
Verificați dacă orificiul de evacuare și conducta de evacuare sunt blocate.
Verificați dacă tava colectoare este corect așezată.
5. Dacă se formează condens pe exteriorul frigiderului.
Este posibil ca pe exteriorul frigiderului să se formeze condens atunci când nivelul de umiditate este ridicat, în special în timpul sezonului uscat. La fel se întâmplă și când turnați apă rece într-un pahar. Aceasta nu indică o problemă în funcționarea aparatului. Ștergeți umezeala cu un material textil uscat.
6. Dacă se aude un zgomot ca și cum se scurge apă.
Un astfel de sunet este produs de circulația agentului de refrigerare. Nu este o problemă în funcționarea aparatului.
7. Dacă părțile laterale ale carcsei se încălzesc.
Părțile laterale ale carcsei aparatului de încălzesc atunci când deschiderile sau închiderile ușii sunt frecvente, când puneți aparatul în funcțiune sau în timpul verii, când temperatura ambientală este foarte ridicată. În astfel de situații, nu atingeți părțile laterale. Acest fenomen se produce ca urmare a disipării căldurii din interiorul aparatului și nu reprezintă o problemă în funcționare.

6. Specificații tehnice

* Pentru detalii referitoare la specificațiile tehnice, vă rugăm să verificați plăcuța cu date tehnice fixată în partea din spate a frigiderului.

* Specificațiile pot fi modificate fără o notificare prealabilă.



CKCD-S01-B