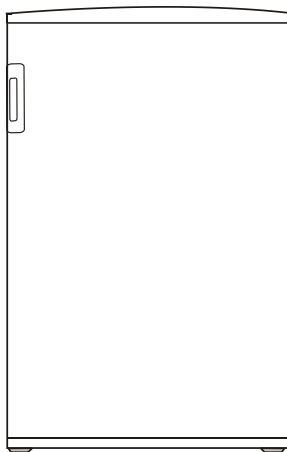




## USER'S MANUAL



(GB) REFRIGERATOR

(PL) **ŁODÓWKA**

(CZ) **CHLADNIČKA**

(IT) FRIGORIFERO

(FR) REFRIGERATEUR

(RO) FRIGIDER

(SP) **FRIGORÍFICO**

(SV) INSTRUKTIONSHANDBOK

(NO) BRUKSANVISNING

(FI) **KÄYTTÖOPAS**

(GR) ΟΔΗΓΙΕΣ ΧΡΗΣΗΣ

(DE) **Kühlschrank**

(UA) **ХОЛОДИЛЬНИК**

Please read this instruction booklet carefully before using your Candy Refrigerator

## BEFORE USING THE APPLIANCE

. Your new appliance is designed exclusively for domestic use.

**To ensure best use of your appliance, carefully read the operating instructions which contain a description of the appliance and advice on storing and preserving food. Keep this handbook for future reference.**

1. After unpacking the appliance, make sure it is not damaged and that the door closes properly. Any damage must be reported to the dealer within 24 hours of delivery of the appliance.
2. Wait at least two hours before switching the appliance on, in order to ensure that the refrigerant circuit is fully efficient.
3. Make sure installation and the electrical connection are carried out by a qualified technician according to the manufacturer's instructions and in compliance with the local safety regulations.
4. Clean the inside of the appliance before using it.

## BEFORE USING THE APPLIANCE


### 1. Packing

The packing material is 100% recyclable and bears the recycling symbol. Comply with the local regulations for disposal. Keep the packing materials (plastic bags, polystyrene parts, etc.) out of the reach of children, as they are a potential source of danger.

### 2. Scrapping/Disposal

The appliance is manufactured using recyclable material.

This appliance is marked in compliance with European Directive 2002/96/EC on Waste Electrical and Electronic Equipment (WEEE). By ensuring the correct scrapping of this appliance, you can help prevent potentially negative consequences for the environment and the health of persons.

The symbol  on the appliance, or on the accompanying documents, indicates that this appliance should not be treated as domestic waste but must be taken to a suitable collection centre for the recycling of electrical and electronic equipment. When scrapping the appliance, make it unusable by cutting off the power cable and removing the doors and shelves so that children cannot easily climb inside. Scrap the appliance in compliance with local regulations on waste disposal, taking it to a special collection centre; do not leave the appliance unattended even for a few days, since it is a potential source of danger for children. For further information on the treatment, recovery and recycling of this appliance, contact your competent local office, the household waste collection service or the shop where you purchased the appliance.

### Information:

This appliance does not contain CFC (the refrigerant circuit contains R134a) or HFC (the refrigerant circuit contains R600a) (refer to the rating plate inside the appliance).

Appliances with isobutane (R600a): Isobutane is a natural gas without environmental impact but is flammable. Therefore, make sure the refrigerant circuit pipes are not damaged.

### Declaration of conformity

. This appliance is intended for storing food and is manufactured in conformity with European regulation (EC) No. 1935/2004.



- . This product has been designed, manufactured and marketed in compliance with:
  - the safety objectives of Low Voltage Directive 73/23/EEC;
  - the protection requirements of "EMC" Directive 89/336/EEC, amended by Directive 93/68/EEC.
- . Electrical safety of the appliance is guaranteed only if it is connected to an efficient and approved earthing system.



# IMPORTANT SAFETY INSTRUCTIONS

These warnings are provided in the interests of your safety. Ensure that you understand Them all before installing or using this appliance. Your safety is of paramount importance. If you are unsure about any of the meanings or these warnings contact the Customer Care Department.

## Installation

- This appliance is heavy. Care should be taken when moving it.
- It is dangerous to alter the specifications or attempt to modify this product in any way.
- Ensure that the appliance does not stand on the electrical supply cable. If the supply cord is damaged, it must be replaced by a special cord available from your local Service Force Centre.
- Any electrical work required to install this appliance should be carried out by a qualified electrician or competent person.
- Parts which heat up should not be exposed. Whenever possible, the back of the appliance should be close to a wall but leaving the required distance for ventilation as stated in the installation instructions.
- The appliance should be left for 2 hours after installation before it is turned on, in order to allow the refrigerant to settle.

**CAUTION:** You must keep the appliance stand in the place where is ventilative anytime.

## Child Safety

- This appliance is not intended for use by young children or infirm persons unless they have been adequately supervised by a responsible person to ensure that they can use the appliance safely.
- Young children should be supervised to ensure that they do not play with the appliance.

## During Use

- This appliance is designed for domestic use only, specifically for the storage of edible foodstuffs only.
- Frozen food should not be refrozen once it has thawed out.
- Do not place carbonated or fizzy drinks in the freezer.
- Ice lollies can cause 'frost/freezer burns' if consumed straight from the freezer.
- Do not remove items from the freezer if your hands are damp/wet, as this could cause skin abrasions or frost/freezer burns.

## Maintenance and Cleaning

- Switch off, and unplug the appliance before carrying out any cleaning or maintenance work.

- Do not use sharp instruments to scrape off frost or ice. (See defrosting instructions).

**CAUTION:** You must not use any mechanical equipment or other way that quicken up the defrosting process to defrost the appliance.

**Do not damage the refrigerant circuit.**

**You must not use any electric appliance inside the appliance except that are commended by the manufacturer.**

## Servicing

- This product should be serviced by an authorised engineer, and only genuine spare parts should be used.
- Under no circumstances should you attempt to repair the machine yourself. Repairs carried out by inexperienced persons may cause injury or serious malfunctioning. Contact your local Service Force Centre.

## At the End of the Appliance Life

**NOTE:** Before discarding an old wine cooler, switch off and disconnect it from the power supply. Cut off and render any plug useless. Ensure that the door cannot jam (removing it is best), regardless of whether or not it can be pushed open from inside.

**AN OLD WINE COOLER CAN BE A DEADLY PLAYTHING FOR CHILDREN!**

**CAUTION:** At the end of the function life of the appliance it must be disposed in accordance with the W.E.E.E directive (See below). You appliance contains R600a refrigerant and inflammable gas in the insulating foam.

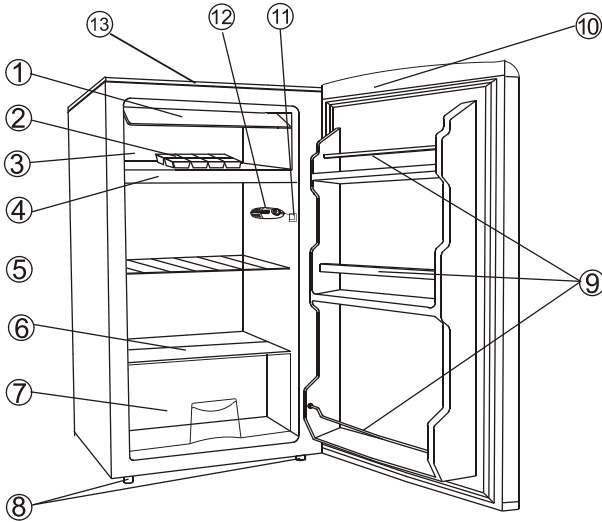
- Before discarding your wine cooler, switch it off and disconnect it from the power supply. Cut off and render any plug useless.
- Ensure that the door cannot shut completely, regardless of whether or not it can be pushed open from the inside (removing the door is best).



Please read this instruction book carefully before use and retain for future reference.

# 1.Name of parts

## PARTS AND FEATURES

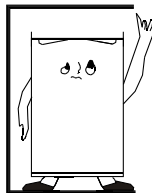


- ① Freezer Compartment Door
- ② Ice Cube Tray(optional)
- ③ Freezer Compartment
- ④ Drip Tray
- ⑤ Shelves of refrigerator chamber
- ⑥ Glass cover
- ⑦ Crisper box
- ⑧ Leveling Legs
- ⑨ Bottle Racks
- ⑩ Recessed Handle
- ⑪ Door switch
- ⑫ Temperature Control Knob
- ⑬ Top Cover

## 2. Correctly positioning

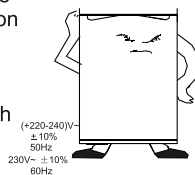
### Well Ventilating

There is need of good ventilation around the refrigerator for easy dissipation of heat, high efficiency of refrigeration and low power consumption. For this purpose, sufficient clear space should be need around the refrigerator. Its back is at least 100mm away from the wall, its sides at least have a space of 100mm separately and the height from over its top is not less than 200mm. A clear space should be left to open its doors to 160°



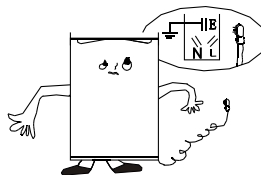
### Power Supply

The refrigerator is only applied with power supply of single phase alternating current of (220-240)V~/50Hz; 230V~/60Hz. If fluctuation of voltage in the district user is of so large that the voltage exceeds the above scope, for safety sake, be sure to apply a.c. automatic voltage regulator to the refrigerator. The refrigerator must employ a special power socket instead of common one with other electric appliances. Its plug must match the socket with ground wire.



### Power Line Cord

The cord should be neither lengthened nor folded into coil during operation. Moreover, it is forbidden that cord is kept close onto the compressor at the back of the refrigerator, the surface temperature of which is quite high when operating. Touching with it would deactivate the insulation or cause leakage for electricity.



### Protection from Moisture

Avoiding placing the refrigerator in a place where heavy moisture is present so as to minimize possibility of rusty for its metal parts. Still more, the refrigerator is forbidden to be directly sprayed by water, otherwise, poor insulation and current leakage would occur.



## 2. Correctly positioning

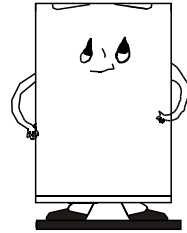
### Protection from Heat

The refrigerator should be far away from any heat source or direct sunshine.



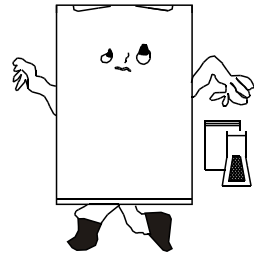
### Fixing Stable

Floor on which refrigerator will be placed must be flat and solid. It should not be laid on any soft material such as foam plastic, etc. If the refrigerator is not on the same level, adjust the screws suitably. The refrigerator should not be placed near anything which may echo.



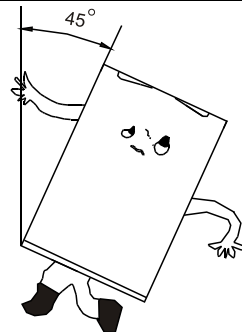
### Keep Away from Danger

It is inadvisable that the refrigerator is placed near any volatilizable or combustible such as gas, petrol, alcohol, lacquer and banana oil, etc. The above-mentioned objects can not be stored in the refrigerator.



### Moving

When fixed or moved, the refrigerator can not be set horizontally or declined to more than  $45^\circ$  or upside-down.



### 3.Cautions

- ★ Water contained in food or getting into air inside the refrigerator by opening doors may form a layer of frost inside. It will weaken the refrigerator when the frost is thick, while it is more than 2mm thick, you should defrost.
- ★ Defrosting in freezer chamber is operated manually. Before defrosting, take the food, the ice tray and the shelf out into the cold storing chamber temporarily then set the knob of the temperature regulator to position "0" (where the compressor will stop working) and leave the door open until ice and frost dissolve thoroughly deposited at the bottom of the freezer chamber, wipe off the water with soft cloth. In the case of speeding up the defrosting, you may put a bowl of warm water (about 50°C) into the freezer chamber, and be sure to set the knob of the temperature regulator to original position after defrosting.
- ★ It's inadvisable to heat the freezer chamber directly with hot water or hair dryer while defrosting to prevent deformation of the inner case.
- ★ It's also inadvisable to scrape of ice and frost or separate food from the containers which have been congealed together with the food with sharp tool or wooden bars, so as not to damage the inner casing or the surface of the evaporator.
- ★ If the supply cord of this appliance is damaged, it must only be replaced by a repair shop appointed by the manufacturer, because special purpose tools are required.

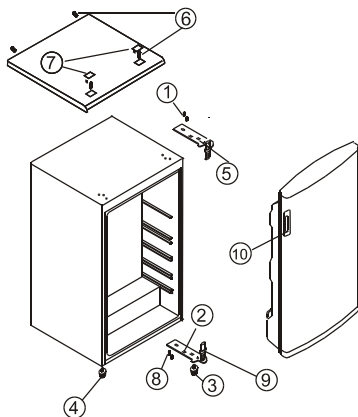
## 4.Changing the reversible do

This refrigerator has been built with the door hinges on the right. If you wish to change the opening direction, follow the instructions below:

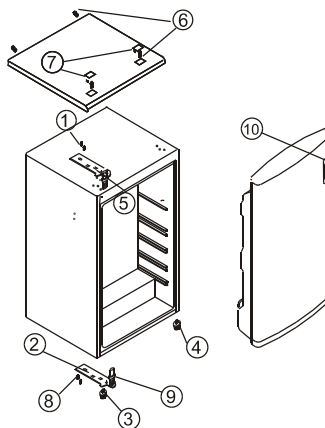
1. Remove the small plastic cover (7) and the screws (6) which fix the worktop to disassembly the worktop.
2. Remove the two screws (1) that hold the upper hinge (5) (right side) to the frame. Take away the upper hinge (5).
3. Lift the door and place it on a padded surface to prevent scratching it.
4. Remove the two screws(8) that hold the lower hinge(2) and Make sure to Remove the lower hinge(2).
5. Remove the left front leg (4) and transfer it to the right side.
6. Before placing this lower hinge(2), remove the bolt-pin (9) and reverse the direction of the lower hinge(2). Then install the lower hinge (2) onto the left side of the lower frame with two screws (8).
7. Insert the bolt-pin(9) to the lower hinge (2).
8. Set the door to its place making sure the door seat at the lower hinge(2)
9. While holding the door in the closed position secure the upper hinge (5) in the top frame of left side with two screws (1). Please remember that do not tighten the two screws(1) until the top of the door is levelled with the counter top.
10. Install the worktop onto the top of the cabinet with screws(6) and cover the small plastic cover(7)
11. Remove the door handle (10) from the left side to the right side.



## 4. Changing the reversible door



**FIGURE 1**



**FIGURE 2**

FIGURE 1 - REPRESENTS POSITION OF COMPONENTS PRIOR TO DOOR REVERSAL.

FIGURE 2 - REPRESENTS POSITION OF COMPONENTS AFTER DOOR REVERSAL.

## 5.Maintenance

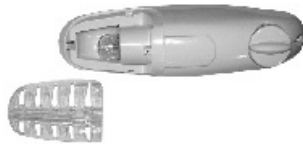
### Clean the outside using a soft cloth.

#### Prolonged disuse

1. Empty the refrigerator.
2. Disconnect the appliance from the power supply.
3. Defrost and clean the interior.
4. In the event of prolonged disuse, leave the door open to prevent the formation of mould, odours and oxidation.
5. Clean the appliance.
  - . Clean the inside of the low temperature compartment (where fitted) when defrosting.
  - . Periodically clean the inside of the refrigerator compartment with a sponge dampened in warm water and/or neutral detergent. Rinse and dry with a soft cloth.Do not use abrasive products. Do not use abrasive products, scourers, stain-removers e.g. acetone, trichloroethylene) or vinegar.

#### Replacing bulbs:

When replacing the bulb, Unplug the appliance from the mains, proceed as follows: Squeeze the tabs on the sides of the lamp cover and remove it. Replace the bulb with a new one maximum 10 W. Put the lamp cover back on and wait 5 minutes before plugging the appliance back into the mains.



## 6. Troubleshooting

1. When the refrigerator does not work
  - Check if there is a power failure.
  - Check if the power plug is plugged into the power outlet.
  - Check that the fuse has not blown.
2. When the refrigerator is cooling excessively
  - The temperature control dial may be set too high.
  - If you place foodstuffs containing a lot of moisture directly under the cool air outlets, they will freeze easily. This does not indicate a malfunction.
3. When the refrigerator is not cooling sufficiently
  - The food may be packed too tightly together which will block the flow of cool air. You may have put something hot or a lot of foodstuffs into the refrigerator .
  - The door may not have been closed properly.
  - The door gaskets may be damaged.
  - The refrigerator may not be ventilated.
  - There may be insufficient clearance between the refrigerator and the surfaces immediately both sides and above.
  - The temperature control dial may not be set properly.
4. When the defrosting water overflows inside the refrigerator and onto the floor.
  - Check that the drain pipe and the drain hose are not clogged.
  - Check that the drain pan is housed properly.
5. When condensation form on the outside of the refrigerator.
  - Condensation may form on the outside when the humidity is high such as during a wet season. This is the same result as the condensation formed when chilled water is poured into a glass. It does not, therefore, indicate a failure, wipe dry with a dry cloth.
6. When you hear a sound like water flowing .
  - A sound like water flowing is the refrigerant flowing. It does not Indicate a malfunction.
7. When the cabinet's side panel heats up
  - The side panel of the cabinet will heat up when the door is opened or closed frequently, when starting the unit and when the unit operates in summer with high ambient outside temperature, In such case, do not touch the panel, it results from the dissipation of the heat from inside the cabinet, and it does not mean that something is wrong with the refrigerator.

## 7. Technical specifications

\*For the detailed technical specifications, please refer to the nameplate at the back of the refrigerator..

\*Specifications are subject to change without prior notice.

# PRZED PRZYSTĄPIENIEM DO EKSPLOATACJI URZĄDZENIA

- Urządzenie, które Państwo zakupili, jest przeznaczone wyłącznie do użytku domowego.

Zapraszamy Państwa do dokładnego zapoznania się z instrukcją użytkowania, w której znajdziecie Państwo opis Waszego urządzenia oraz pomocne wskazówki, dotyczące przechowywania produktów spożywczych.

Instrukcję należy zachować, aby można było z niej korzystać w przyszłości.

1. Po rozpakowaniu urządzenia należy upewnić się, czy nie ma uszkodzeń oraz czy drzwi zamykają się prawidłowo. Eventualne szkody powinny być zgłoszone sprzedawcy w ciągu 24 godzin od dostawy urządzenia.
2. Przed uruchomieniem należy odczekać co najmniej dwie godziny, w celu zwiększenia efektywności obrotu chłodniczego.
3. Należy dopilnować, aby montaż i podłączenia elektryczne urządzenia zostały wykonane przez wykwalifikowanego technika, według instrukcji producenta i zgodnie z lokalnymi przepisami dotyczącymi bezpieczeństwa.
4. Przed przystąpieniem do użytkowania należy wyczyścić wnętrze urządzenia.


## PORADY DOTYCZĄCE OCHRONY ŚRODOWISKA

### 1. Opakowanie

Materiały z opakowania nadają się w 100% do wykorzystania jako surowiec wtórny i są oznakowane symbolem recyklingu. Składowanie zgodnie z lokalnymi przepisami. Materiały opakowania (woreczki plastikowe, kawałki styropianu, itp.) należy przechowywać poza zasięgiem dzieci, gdyż stanowią potencjalnie źródło zagrożenia.

### 2. Złomowanie/Utylizacja

Urządzenie zostało wykonane z materiału, który można poddać recyklingowi. To urządzenie jest oznaczone zgodnie z Dyrektywą Europejską 2002/96/WE oraz polską Ustawą o zużytych sprzęcie elektrycznym i elektronicznym symbolem przekreślonego kontenera na odpady. Właściwe postępowanie ze użytym sprzętem elektrycznym i elektronicznym przyczynia się do uniknięcia szkodliwych dla zdrowia ludzi i środowiska naturalnego konsekwencji, wynikających z obecności składników niebezpiecznych oraz niewłaściwego składowania i przetwarzania takiego sprzętu.

Symbol  umieszczony na produkcie lub na dołączonych do niego dokumentach oznacza, że niniejszy produkt nie jest klasyfikowany jako odpad z gospodarstwa domowego. Urządzenie do złomowania, należy zdać w odpowiednim punkcie utylizacji odpadów w celu recyklingu komponentów elektrycznych i elektronicznych.

W razie złomowania urządzenia należy uniemożliwić jego dalsze użytkowanie odcinając kabel zasilający oraz wyjmując drzwi i półki, aby dzieci nie mogły zamknąć się w środku.

Złomować urządzenie zgodnie z lokalnymi przepisami odnośnie składowania odpadów i dostarczyć urządzenie do autoryzowanego punktu zbiórki odpadów; urządzenia nie można zostawić bez nadzoru nawet na kilka dni, ponieważ jest źródłem zagrożenia dla dzieci. Prowadzący zbieranie, w tym lokalne punkty zbiórki, sklepy oraz gminne jednostki, tworzą odpowiedni system umożliwiający oddanie tego sprzętu.

### Informacja:

Urządzenie nie zawiera CFC (obwód chłodniczy jest napełniony R134a) ani HFC (w tym wypadku jest zastosowany R600a) (patrz tabliczka znamionowa wewnątrz urządzenia).

Dla urządzeń z Izobutanem (R600a): Izobutan jest gazem naturalnym, nieszkodliwym dla środowiska, ale zapalnym. Należy więc koniecznie upewnić się, czy rury obrotu chłodniczego nie są uszkodzone

### Deklaracja zgodności

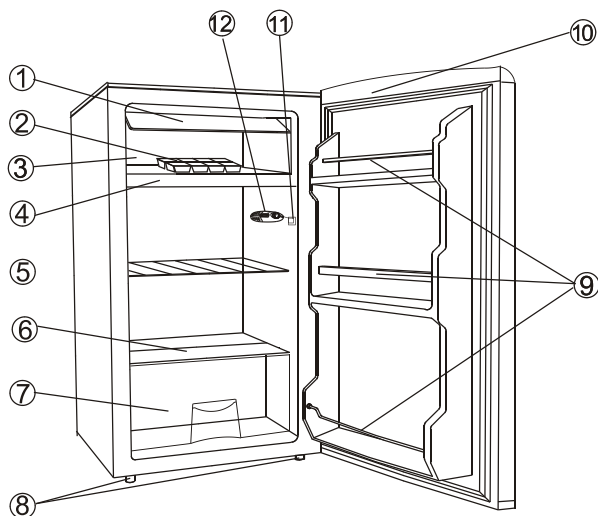
• Niniejsze urządzenie przeznaczone jest do przechowywania produktów żywnościowych i zostało wyprodukowane zgodnie z Rozporządzeniem (WE) nr 1935/2004.



- Niniejsze urządzenie zostało zaprojektowane, zbudowane i wprowadzone do obrotu zgodnie z:
  - zasadami bezpieczeństwa zawartymi w Dyrektywie "Niskie Napięcie" 73/23/EWG;
  - wymogami odnośnie zabezpieczeń zawartymi w Dyrektywie "EMC" (Kompatybilność Elektromagnetyczna) 89/336/EWG, z późniejszymi zmianami wprowadzonymi przez Dyrektywę 93/68/EWG.
- Urządzenie jest bezpieczne jedynie w przypadku, gdy zostało ono poprawnie podłączone do zgodnego z normami uziemienia.



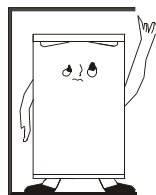
## CZĘŚCI I WŁAŚCIWOŚĆ



- ① Drzwi zamrażalnika
- ② Taca na lód (opcjonalne)
- ③ Zamrażalnik
- ④ Taca zbierająca wodę
- ⑤ Półki komory chłodzącej
- ⑥ Pokrywa szklana
- ⑦ Pojemnik na warzywa
- ⑧ Nóżki regulowane
- ⑨ Półka na butelki
- ⑩ Uchwyt drzwiowy
- ⑪ Wyłącznik światła
- ⑫ Pokrętko regulatora temperatury

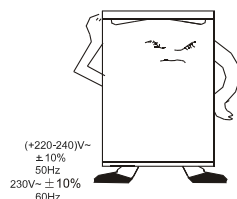
### Właściwa wentylacja

Konieczna jest dobra wentylacja wokół lodówki, aby zwiększyć wydajność chłodzenia i obniżyć zużycie energii. Lodówka powinna zostać umieszczona w taki sposób, aby jej tylna część znajdowała się przynajmniej w odległości 100mm od ściany, po bokach zapewnić przestrzeń około 100mm, natomiast w górnej części należy zapewnić przestrzeń nie mniejszą niż 200mm. Należy również zapewnić swobodne otwieranie się drzwi na szerokość 160 stopni.



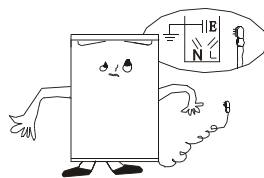
### Źródło zasilania

Lodówka została przystosowana do zasilania jednofazowym prądem zmiennym o napięciu (220-240)V~/50Hz;230V~/60Hz. Jeśli wahania napięcia będą tak duże, że napięcie przekroczy ustalony powyżej zakres, należy zainstalować automatyczny regulator napięcia. Lodówka musi być podłączona do osobnego gniazdka, nie razem z innymi urządzeniami elektrycznymi. Wtyczka lodówki powinna pasować do gniazdka w ścianie i posiadać uziemienie.



### Przewód zasilający

Podczas pracy urządzenia, przewód zasilający nie powinien być zwijany ani przedłużany. Ponadto niedozwolone jest, by przewód był umieszczany zbyt blisko tylnej części lodówki, gdyż temperatura umieszczonego tam kompresora jest duża i może być przyczyną zniszczenia przewodu. Zniszczeniu może ulec izolacja przewodu, co z kolei może być przyczyną przebieć elektrycznych.



### Ochrona przed wilgocią

Należy unikać umieszczania lodówki w miejscach występowania dużej wilgoci, aby zminimalizować możliwość zardzewienia metalowych części lodówki. Ponadto, należy unikać bezpośredniego kontaktu lodówki z wodą, gdyż może to być przyczyną osłabienia izolacji i wystąpienia przebieć elektrycznych.



## 2. Poprawne umieszczenie urządzenia

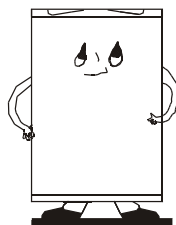
### Ochrona przed przegrzewaniem się

Lodówka powinna znajdować się z dala od źródeł ciepła i nie powinna być wystawiana na bezpośrednie działanie promieni słonecznych.



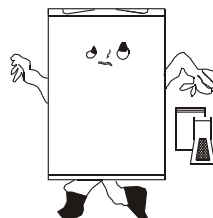
### Zapewnienie stabilności

Podłoże, na którym jest umieszczana lodówka, powinno być płaskie i stabilne. Nie należy umieszczać urządzenia na miękkim podłożu, takim jak gąbka plastikowa, i tym podobne. Lodówka nie powinna być umieszczana w pobliżu materiałów i przedmiotów odbijających dźwięk.



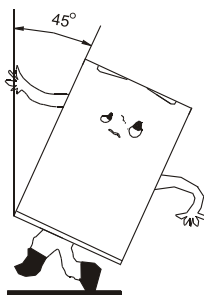
### Unikać niebezpiecznych materiałów

Nie należy umieszczać lodówki w pobliżu materiałów łatwopalnych, takich jak gaz, benzyna, alkohol, lakier, octan amylu, etc. Wymienione powyżej materiały nie mogą być również przechowywane w lodówce.



### Przesuwanie

Podczas przesuwania lub naprawiania lodówki, nie wolno ustawiać jej w pozycji poziomej, lub przechylać o więcej niż 45 stopni od pozycji pionowej.





### 3. Uwagi

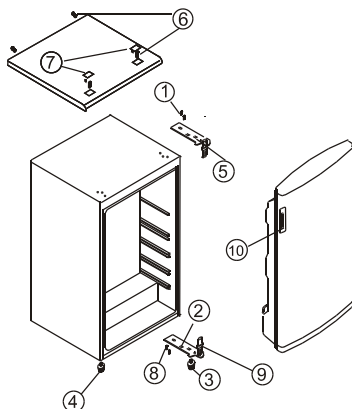
- ★ Woda zawarta w żywności lub przedostająca się do powietrza wewnątrz lodówki, może być przyczyną powstawania warstwy lodu i szronu. Gdy warstwa lodu stanie się gruba, może być przyczyną zmniejszenia sprawności działania urządzenia. Gdy warstwa lodu osiągnie grubość 2mm lub więcej, należy lodówkę rozmrozić.
- ★ Rozmrażanie komory zamrażalnika lodówki przeprowadza się ręcznie. Przed rozpoczęciem rozmrażania, należy wyjąć z lodówki żywność, tace na lód oraz półki i umieścić je w chłodnym miejscu. Pokrętko regulatora temperatury ustawić na wartość „0” (kompresor przestanie pracować). Drzwi lodówki pozostawić otwarte, dopóki lód i szron osadzony na ścianach lodówki rozmrozi się. Wodę powstałą podczas rozmrażania w dolnej części lodówki, należy wytrzeć miękką szmatką. Aby przyspieszyć proces rozmrażania, można w dolnej części lodówki umieścić miskę z ciepłą wodą (temp. około 50°C). Po zakończeniu rozmrażania należy ustawić temperaturę na poprzednią wartość.
- ★ Podczas rozmrażania nie należy podgrzewać zamrażalnika bezpośrednio gorącą wodą lub suszarką do włosów. Może to spowodować deformację wewnętrznej obudowy lodówki pod wpływem ciepła.
- ★ Nie należy zeszkrobywać lodu ani szronu ze ścianek zamrażalnika, ani nie próbować oddzielać żywności od pojemników, w których jest przechowywana za pomocą ostrych lub drewnianych narzędzi, aby nie zniszczyć wewnętrznej powierzchni obudowy parownika.
- ★ W przypadku, gdy uszkodzeniu ulegnie przewód zasilający, należy go wymienić. Wymianę przewodu należy powierzyć warsztatowi wyznaczonemu przez sprzedawcę, ponieważ czynność ta wymaga użycia specjalistycznych narzędzi.

## 4. Zmiana kierunku otwierania drzwi

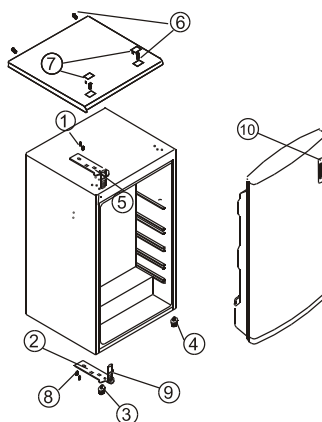
Lodówka została zaopatrzona w zawiasy drzwiowe znajdujące się po prawej stronie. Jeśli istnieje potrzeba zmiany kierunku otwierania drzwi, należy postępować zgodnie z poniższymi wskazówkami:

1. Zdjąć osłonę zawiasu (6).
2. Odkręcić dwie śruby (1) przytrzymujące górny zawias (5) (prawa strona) do framugi drzwi. Zdjąć górny zawias (5).
3. Podnieść drzwi i umieścić je na miękkim podłożu, zabezpieczającym przed przypadkowym zarysowaniem.
4. Odkręcić dwie śruby (8) przytrzymujące dolny zawias (2), a następnie zdjąć dolny zawias (2).
5. Wyjąć przednią lewą nóżkę (4) i zamontować ją po prawej stronie.
6. Zamontować osłonę otworu (7) na stronę prawą lodówki.
7. Przed instalacją dolnego zawiasu (2), wyjąć sworzeń (9) i zmienić kierunek montowania dolnego zawiasu (2). Zamontować dolny zawias (2) po lewej stronie dolnej części framugi za pomocą dwóch śrub (8).
8. Włożyć sworzeń (9) do dolnego zawiasu (2).
9. Umieścić drzwi we właściwym położeniu, upewnić się, czy drzwi wiszą na dolnym zawiasie (2).
10. Przytrzymując drzwi w pozycji zamkniętej, umocować górny zawias (5) w górnej części framugi po lewej stronie za pomocą dwóch śrub (1). Nie dociskać śrub mocujących (1), dopóki górna część drzwi nie zostanie wyrównana z górną częścią obudowy lodówki.
11. Zainstalować osłonę górnego zawiasu (6).

## 4. Zmiana kierunku otwierania drzwi



**RYSUNEK 1**



**RYSUNEK 2**

RYSUNEK 1 – SCHEMAT UMIESZCZENIA POSZCZEGÓLNYCH CZĘŚCI PRZED ZMIANĄ KIERUNKU OTWIERANIA DRZWI

RYSUNEK 2 – SCHEMAT UMIESZCZENIA POSZCZEGÓLNYCH CZĘŚCI PO ZMIANIE KIERUNKU OTWIERANIA DRZWI

## 5. Konserwacja

- ★ Lodówka powinna być myta i konserwowana raz na miesiąc.
- ★ Przed rozpoczęciem konserwacji, należy wyłączyć zasilanie wyciągając wtyczkę z gniazdka zasilającego.
- ★ Wytrzeć wewnętrzne i zewnętrzne powierzchnie lodówki oraz jej poszczególne części za pomocą wilgotnej szmatki. Jeśli są zbyt brudne, należy użyć neutralnego środka chemicznego, a następnie umyć wodą i wytrzeć do sucha. Następnie zaleca się wytrzeć do połysku powierzchnię lodówki flanelową szmatką.
- ★ W przypadku mycia lodówki nie używać gorącej wody, rozcieńczaczy, benzyny, alkoholu, nafty, proszku do prania, płynów do czyszczenia, środków alkaicznych, kwasów, itp. Wszystkie wymienione powyżej substancje mogą zniszczyć warstwę lakieru oraz części plastikowe lodówki. Nie wolno narażać lodówki na bezpośredni kontakt z wodą. Może to być przyczyną rdzewienia lub niszczenia izolacji lodówki.
- ★ Należy szczególnie dbać o gumowe uszczelki zamontowane na drzwiach lodówki. Powinny być zawsze czyszczone.
- ★ Jeśli części plastikowe lodówki zostaną zanieczyszczone przez dłuższy okres czasu olejem (pochodzenia zwierzęcego lub roślinnego), mogą szybciej ulec zniszczeniu. Wewnętrzne pojemniki lodówki łatwo ulegają zabrudzeniu, jeśli nie są często myte, ponadto może to być przyczyną powstawania nieprzyjemnego zapachu we wnętrzu urządzenia. Należy dopilnować częstego ich mycia.

## 6. Rozwiązywanie problemów

1. Jeśli lodówka nie działa:  
Sprawdzić, czy nie ma przerwy w dostawie energii.  
Sprawdzić, czy przewód zasilający jest podłączony do gniazdka.  
Sprawdzić, czy bezpieczniki są sprawne.
2. Jeśli lodówka nadmiernie mrozi:  
Pokrętko regulatora temperatury może być ustawione na zbyt dużą wartość.  
Jeśli produkty żywnościowe zawierające dużo wilgoci zostaną umieszczone bezpośrednio pod wylotami zimnego powietrza, ulegną szybkiemu zamrożeniu. Nie jest to wynikiem złego funkcjonowania urządzenia.
3. Jeśli lodówka nie chłodzi w sposób wystarczający:  
Żywność umieszczona w lodówce może być ułożona zbyt blisko siebie, co z kolei może być przyczyną złego przepływu chłodzącego powietrza we wnętrzu urządzenia.  
W lodówce zostało umieszczona gorąca żywność lub lodówka jest przeładowana.  
Drzwi lodówki są niedomknięte.  
Uszczelki drzwiowe są zniszczone.  
Lodówka nie jest wentylowana.  
Nie został zapewniony odpowiedni prześwit pomiędzy powierzchniami lodówki a sąsiadującymi z nią powierzchniami.  
Pokrętko regulatora temperatury nie jest we właściwej pozycji.
4. Jeśli woda powstała w wyniku rozmrażania przelewa się z lodówki na podłogę:  
Sprawdzić, czy rurka odprowadzająca wodę oraz wąż odprowadzający wodę nie są zatkane  
Sprawdzić, czy zbiornik odprowadzający wodę jest właściwie zamontowany.
5. Jeśli para wodna skrapla się na zewnątrz lodówki:  
Para wodna może skraplać się na zewnątrz lodówki, jeśli wilgotność powietrza jest bardzo duża, np. w porze deszczowej (podczas deszczu). Jest to ten sam efekt, gdy podczas wlewania zimnej wody do szklanki woda skrapla się na zewnętrznych ściankach szklanki. Nie jest to wynikiem niepoprawnego funkcjonowania urządzenia. Należy te miejsca wycierać do sucha szmatką.
6. Gdy słyszalny jest odgłos przypominający przepływającą wodę:  
Odgłos ten towarzyszy przepływowi środka chłodzącego systemie chłodzenia. Nie jest to oznaką awarii urządzenia.
7. Jeśli obudowa lodówki nagrzej się zbyt mocno:  
Boczna obudowa lodówki nagrzewa się, gdy drzwi lodówki są otwierane i zamykane zbyt często, podczas uruchamiania urządzenia oraz, gdy lodówka pracuje w wysokiej temperaturze otoczenia (na przykład w lecie). Jest to wynikiem przekazywania ciepła do wnętrza obudowy i nie oznacza, że lodówka pracuje niepoprawnie.

## 7. Specyfikacje techniczne

\*Szczegółowe specyfikacje techniczne umieszczone są na tabliczce znamionowej w tylnej części lodówki.

\*Specyfikacja techniczne mogą być przedmiotem zmian bez uprzedniego powiadomienia.

- Váš nový spotřebič je navržen výhradně pro použití v domácnosti.

K zajištění nejlepšího využití spotřebiče si pozorně přečtěte návod k obsluze, který obsahuje popis spotřebiče a pokyny o skladování a uchovávání potravin.

Odložte si tento návod pro použití v budoucnosti.

1. Po vybalení spotřebiče se ujistěte, zda spotřebič není poškozen a zda se dvířka zavírají správně. Jakékoliv poškození nahlasejte prodejci do 24 hodin od doručení spotřebiče.
2. Před zapnutím spotřebiče počkejte nejméně dvě hodiny, pro ustálení chladicího obvodu.
3. Instalaci a připojení k elektrické síti by měl provádět kvalifikovaný servisní technik podle pokynů výrobce a v souladu s bezpečnostními předpisy.
4. Před použitím spotřebiče vyčistěte jeho vnitřní prostor.

### 1. Obaly

Obalový materiál je 100% recyklovatelný a obsahuje symbol recyklace. Při likvidaci postupujte podle místních předpisů. Plastové obaly (sáčky, polystyrénové díly, apod.) udržujte mimo dosahu dětí, protože představují možné nebezpečí.

### 2. Likvidace

Spotřebič je vyrobený z recyklovatelných materiálů. Tento spotřebič je označen v souladu s Evropskou směrnicí 2002/96/EC o Likvidaci elektrických a elektronických spotřebičů (WEEE). Zajištěním správné likvidace spotřebiče pomůžete chránit před možnými negativními vlivy na životní prostředí a zdraví lidí.

Symbol přeškrtnuté nádoby na odpadky na spotřebiči nebo v návodu znamená, že tento spotřebič nesmí být likvidován s domovním odpadem, ale jej musíte odnést do příslušného centra k recyklaci elektrických zařízení. Při likvidaci spotřebiče jej učiňte nepoužitelným přeříznutím přívodního kabelu a odstraněním dvířek a polič tak, aby děti nemohli po spotřebiči lézt. Spotřebič likvidujte v souladu s místními předpisy o likvidaci, odnešte jej do specializovaného střediska; nenechávejte spotřebič bez dohledu ani na pár dní, protože je možným

zdrojem nebezpečí pro děti. Pro podrobnější informace o likvidaci a recyklaci spotřebiče kontaktujte místní samosprávu, recyklační středisko nebo prodejnu, kde jste spotřebič zakoupili.

### Informace:

Tento spotřebič neobsahuje CFC (chladicí obvod obsahuje R134a) nebo HFC (chladicí obvod obsahuje R600a) (viz výrobní štítek uvnitř spotřebiče). Spotřebiče s izobutanem (R600a): Izobutan je ekologický zemní plyn ale je hořlavý. Proto se ujistěte, zda nejsou poškozené trubky chladicího obvodu.

### Prohlášení o shodě

- Tento spotřebič je určen pro skladování potravin a je vyroben v souladu s evropskou směrnicí (EC) Č. 1935/2004.
- Tento spotřebič byl navržen, vyroben a prodává se v souladu s:
  - bezpečnostní směrnice o Nízkém napětí 73/23/EEC;
  - ochranní požadavky EMC směrnice 89/336/EEC, doplněné směrnicí 93/68/EEC.
- Elektrická bezpečnost spotřebiče je zajištěná pouze tehdy, pokud je připojen k účinnému a schválenému systému s uzemněním.



## Důležité bezpečnostní pokyny

Toto varování je určeno pro vaši bezpečnost. Před instalací se ujistěte, zda jste porozuměli všemu před instalací nebo použitím tohoto spotřebiče. Vaše bezpečnost je nejdůležitější. Pokud nejste si jisti významem těchto varování, kontaktujte prodejce nebo servisní středisko.

### Instalace

- Tento spotřebič je těžký. Zvyšte pozornost během transportu.
- Je nebezpečné měnit technické parametry nebo upravovat tento produkt jakýmkoliv způsobem.
- Zajistěte, aby spotřebič nestál na přírodním kabelu. Pokud se poškodí přírodní kabel, musí být vyměněn za speciální kabel v servisním středisku.
- Jakékoliv elektrické práce vyžadující si instalace tohoto spotřebiče musí provádět kvalifikovaný servisní technik nebo kompetentní osoba.
- Části, které se ohřívají, nesmí být vystaveny. Pokud je to možné, zadní panel spotřebiče by měl být co nejbližší ke stěně ale v dostatečné vzdálenosti pro zajištění dostatečného větrání podle pokynů v návodu.
- Spotřebič nezapínejte nejméně 2 hodiny po instalaci, aby se ustálil chladicí obvod.

**UPOZORNĚNÍ:** Spotřebič postavte na dobře větrané místo.

### Bezpečnost dětí

- Tento spotřebič není určen pro použití dětmi nebo nezpůsobilými osobami, pokud nejsou pod dohledem odpovědné osoby.
- Zabraňte dětem ve hře se spotřebičem.

### Během použití

- Tento spotřebič je navržen pouze pro použití v domácnosti, zejména ke skladování potravin.
- Mrazené potraviny po rozmrazení opět nezmrazujte.
- Nevkládejte syčené nápoje do mrazáku.
- Po vyjmutí zmrzliny z mrazáku ji ihned nekonzumujte, hrozí riziko „popálení“.
- Nevynádvějte potraviny z mrazáku mokrými rukama, protože se můžete přilepit.

### Údržba a čištění

- Před čištěním spotřebič vypněte a odpojte od elektrické zásuvky.
- K odstranění námrazy nepoužívejte ostré předměty. (Viz pokyny k odmrazení).

**UPOZORNĚNÍ:** Nepoužívejte elektrické mechanické prostředky k urychlení odmrazování spotřebiče. Dbejte na to, abyste nepoškodili chladicí obvod. Nepoužívejte elektrické spotřebiče uvnitř spotřebiče, kromě doporučených výrobcem.

### Servis

Tento spotřebič může opravovat pouze autorizovaný servisní technik.

- Za žádných okolností se nepokoušejte sami opravovat spotřebič. Opravy prováděné neautorizovanými osobami mohou způsobit zranění nebo poruchu. Pro servis kontaktujte autorizované servisní středisko.

### Na konci životnosti spotřebiče

**POZNÁMKA:** Před likvidací starého spotřebiče jej vypněte a odpojte od elektrické zásuvky. Odřezte přírodní kabel. Zajistěte, aby se dvířka nedala uzamknout.

**STARÝ SPOTŘEBIČ MŮŽE BÝT NEBEZPEČNÝ PRO MALÉ DĚTI!**

**UPOZORNĚNÍ:** Na konci životnosti spotřebiče jej musíte zlikvidovat v souladu s W.E.E.E směrnici (viz níže). Váš spotřebič obsahuje R600a chladicí hořlavý plyn v izolační pění.

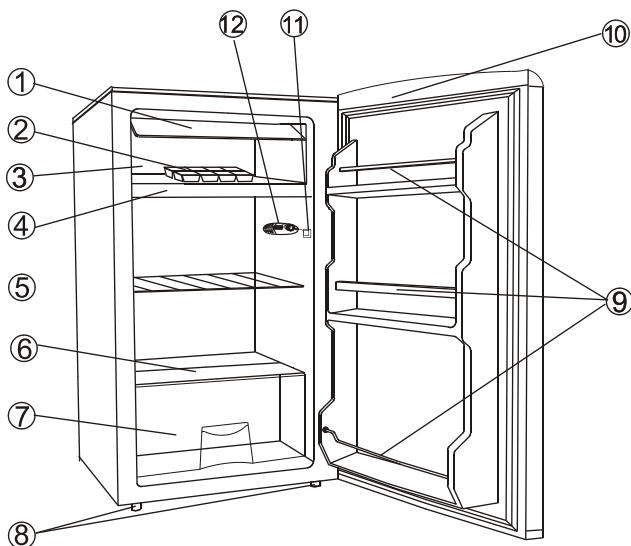
- Před likvidací vinotéky ji vypněte a odpojte od elektrické zásuvky. Odřízněte přírodní kabel a učiňte jej nepoužitelným.
- Zajistěte, aby se dvířka nedala uzamknout, bez ohledu zda je to zevnitř nebo zvenku (nejlepší je jejich odstranění).

Přečtěte si prosím pozorně tento návod a odložte si jej pro použití v budoucnosti.



# 1. Popis spotřebiče

## Části a funkce



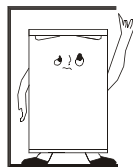
- ① Dvířka mrazícího prostoru
- ② Zásobník na kostky ledu (volitelné)
- ③ Mrazící prostor
- ④ Odkapávací zásobník
- ⑤ Poličky chladícího prostoru
- ⑥ Skleněný kryt
- ⑦ Zásobník na potraviny
- ⑧ Nastavitelné nožičky
- ⑨ Přehrádky na láhve
- ⑩ Zapuštěná rukojeť
- ⑪ Dveřní spínač
- ⑫ Ovladač nastavení teploty
- ⑬ Horní kryt



## 2. Správné umístění

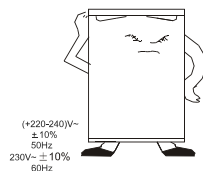
### Dobré větrání

Pro odvod tepla, vysokou účinnost a nízkou spotřebu energie je potřebné dobré větrání. Proto nechejte kolem chladničky dodatečný volný prostor. Ze zadní strany nejméně 100 mm od stěny, po stranách spotřebiče nejméně 100 mm a z horní strany spotřebiče nejméně 200 mm. Volný prostor potřebný pro otevření dveří by měl být 160°.



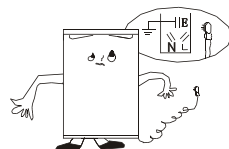
### Napájení

Chladnička je vhodná na jednofázový střídavý proud (220-240)V~/50Hz; 230V~/60Hz. Pokud je kolísání proudu v různých zemích mimo uvedený rozsah, z důvodu bezpečnosti aplikuje automatický napěťový regulátor. Chladnička musí obsahovat speciální vidlici přívodního kabelu namísto standardního. Její konektor musí odpovídat zásuvce s uzemňovacím vodičem.



### Přívodní kabel

Kabel nesmí být prodlužován ani smotán do cívky během provozu. Dbejte na to, aby se přívodní kabel nedotýkal kompresoru na zadní stěně spotřebiče, protože povrch může být horký během provozu a kontakt s kabelem může poškodit izolaci a způsobit zkrat.



### Ochrana proti vlhkosti

Neumísťujte chladničku na místa, kde je vysoký obsah vlhkosti, zabráníte tím možné korozi kovových částí. Spotřebič nesmí být vystaven vodě, protože to způsobí nesprávnou izolaci a zkrat.



## 2. Správné umístění

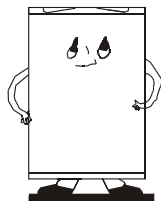
### Ochrana před teplem

Spotřebič by měl být umístěn mimo zdroje tepla a přímého slunečního záření.



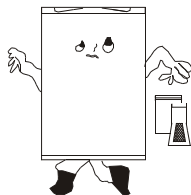
### Vyvážení

Povrch, na kterém bude stát spotřebič musí být pevný a rovný. Nedoporučujeme žádný měkký povrch. Pokud není spotřebič vyvážen, přizpůsobte jej pomocí nastavitelných nožiček.



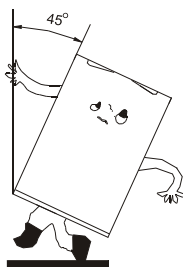
### Zabraňte nebezpečí

Neumísťujte spotřebič do blízkosti hořlavých látek jako je plyn, benzín, alkohol, lak, amylacetát, atd. Tyto předměty nevkládejte do spotřebiče.



### Přemísťování

Při přemísťování spotřebiče jej nenaklánějte horizontálně ani do úhlu pod 45°.



### 3. Upozornění

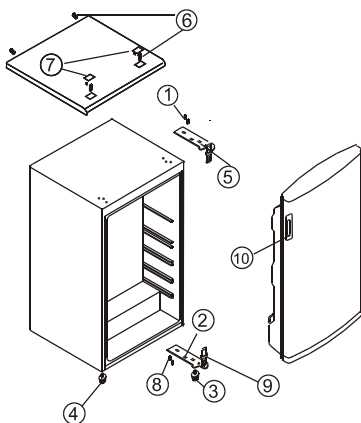
- Voda obsažená v potravinách nebo ve vzduchu se dostává do chladničky při otevření dveří a způsobuje formování námrazy, ovlivňuje správný chod chladničky v případě silné vrstvy. Když je silnější než 2 mm, musíte chladničku odmrazit.
- Odmrazování chladničky se provádí manuálně. Před odmrazováním vyjměte potraviny, zásobník ledu a dočasně uložte na chladné místo, poté nastavte ovladač teploty do pozice „0“ (kompresor přestane pracovat) a nechejte otevřené dvířka, dokud se led a námraza nerozpustí na dno chladničky. Vodu utřete jemným hadrem. V případě urychlení odmrazování můžete umístit nádobu s horkou vodou (přibližně 50°C) do vnitřního prostoru chladničky. Po odmrazení nezapomeňte nastavit ovladač teploty do původní pozice.
- Není vhodné odmrazovat chladničku přímo horkou vodou nebo fénem na vlasy, protože můžete poškodit vnitřní prostor.
- Neodstraňujte led a námrazu ani neoddělujte potraviny, které jsou zmrazené dohromady, ostrými předměty nebo dřevěnými hůlkami, protože můžete poškodit vnitřní prostor chladničky nebo výparníku.
- Pokud je poškozen přírodní kabel spotřebiče, musí jej vyměnit servisní technik.

### 4. Pokyny ke změně směru otevírání dveří

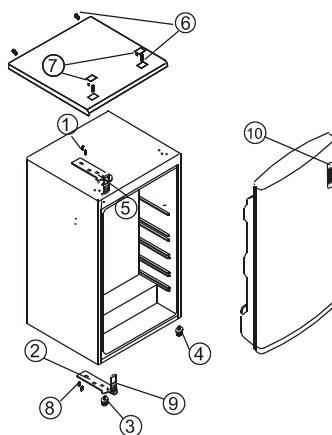
Chladnička je dodávána se závěsy dveří na pravé straně. Pokud chcete změnit směr otvírání, postupujte podle následujících pokynů:

1. Sundejte plastový kryt (7) a šrouby (6) upevňující pracovní desku.
2. Vyjměte dva šrouby (1), které drží horní závěs (5) (pravá strana) na chladničce. Sundejte horní závěs (5).
3. Nadzvedněte dveře a uložte je na měkký podklad, aby se nepoškrábaly.
4. Vyjměte dva šrouby (8), které drží spodní závěs (2) a sejměte spodní závěs (2).
5. Vyjměte přední levou nožičku (4) a přeložte ji na pravou stranu.
6. Před nasazením spodního závěsu (2) vyndejte kolík (9) a otočte směr spodního závěsu (2). Instalujte spodní závěs (2). Poté instalujte spodní závěs (2) na levou spodní stranu chladničky pomocí dvou šroubů (8).
7. Založte kolík (9) do spodního závěsu (2).
8. Založte dveře na spodní závěs (2)
9. V uzavřené pozici dveří upevněte horní závěs (5) v horní levé části chladničky dvěma šrouby (1). Neutahujte dva šrouby (1), dokud nejsou dveře srovnány s horním panelem spotřebiče.
10. Instalujte pracovní desku na spotřebič pomocí šroubů (6) a nasadte malý plastový kryt (7).
11. Sundejte rukověť (10) a nasadte na pravou stranu.

## 4. Pokyny ke změně směru otevírání dveří



**OBRÁZEK 1**



**OBRÁZEK 2**

Obrázek 1: představuje pozici komponentů před výměnou závěsu dveří.  
Obrázek 2: představuje pozici komponentů po změně závěsu dveří.

## 5. Údržba

### Vnější povrch čistíte jemným hadříkem.

1. Vyprázdněte chladničku.
2. Odpojte spotřebič od elektrické zásuvky.
3. Odmrazte a vyčistěte vnitřek.
4. V případě delšího nepoužívání nechejte dvířka otevřená, abyste zabránili tvorbě plísní, zápachů a oxidace.
5. Vyčistěte spotřebič.
  - Po odmrazení vyčistěte mrazicí prostor.
  - Pravidelně čistěte vnitřní prostor chladničky pomocí houby namočené v teplé vodě a/nebo neutrálním saponátu. Opláchněte a vysušte jemným hadříkem.Nepoužívejte drsné prostředky. Nepoužívejte drsné prostředky, škrabky, odstraňovače skvrn např. aceton, třichlor nebo ocet.

### Výměna žárovek:

Před výměnou žárovky odpojte spotřebič od elektrické zásuvky, postupujte následovně:

Stiskněte pojistky po stranách krytu žárovky a sundejte jej.

Vyměňte žárovku za novou s hodnotou maximálně 10 W.

Nasadte kryt žárovky a počkejte 5 minut před opětovným připojením spotřebiče k elektrické zásuvce.



## 6. Odstranění případných problémů

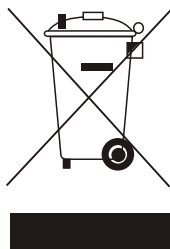
1. Pokud chladnička nefunguje:  
Zkontrolujte, zda není výpadek proudu.  
Zkontrolujte, za je vidlice přívodního kabelu připojena k elektrické zásuvce.  
Zkontrolujte, zda není vypálena pojistka.
2. Pokud chladnička příliš chladí:  
Ovladač nastavení teploty je nastaven na vysokou hodnotu.  
Pokud umístíte potraviny s velkým množstvím vlhkosti přímo pod výstup chladného vzduchu, rychle namrznou. Toto neznamená poruchu.
3. Pokud chladnička dostatečně nechladí:  
Potraviny jsou baleny příliš těsně při sobě, což brání proudění chladného vzduchu.  
Vložili jste něco horkého nebo velké množství do chladničky.  
Dveře nejsou zavřené správně.  
Těsnění dveří je poškozené.  
Chladnička není větraná.  
Je nedostatečný prostor mezi chladničkou a stěnami kolem spotřebiče a nad spotřebičem.  
Nastavení teploty je nesprávné.
4. Během rozmrazování voda teče po vnitřku chladničky a na podlahu:  
Zkontrolujte, zda není odtoková hadička ucpaná.  
Zkontrolujte, zda je odkapávací zásobník umístěn správně.
5. Když se tvoří kondenzace na vnějších stěnách chladničky:  
Kondenzace se může tvořit na vnějších stranách, když je vysoká vlhkost, například během vlhkého ročního období. Toto je stejný výsledek, jako když nalijete studenou vodu do sklenice. Nejedná se o závadu, proto vlhkost pouze otřete suchým hadrem.
6. Když slyšíte zvuk, jako když teče voda:  
Zvuk tekoucí vody představuje tok chladicí náplně. Nejedná se o závadu.
7. Když se hřejí stěny chladničky:  
Boční panel spotřebiče se ohřívá, pokud se dveře otevírají příliš často, při spuštění spotřebiče a když spotřebič pracuje v létě při vysoké okolní vlhkosti. V takovém případě se nedotýkejte panelu, je to výsledkem odvodu tepla zevnitř spotřebiče a nejedná se o poruchu chladničky.

## 7. Technické údaje

\*Pro podrobnější technické informace viz výrobní štítek na zadním panelu chladničky.

\*Právo na změnu technických údajů vyhrazené.

## Informace pro uživatele k likvidaci elektrických a elektronických zařízení (domácnosti)



Tento symbol na produktech anebo v průvodních dokumentech znamená, že použité elektrické a elektronické výrobky nesmí být přidány do běžného komunálního odpadu.

Ke správné likvidaci, obnově a recyklaci doručte tyto výrobky na určená sběrná místa, kde budou přijata zdarma. Alternativně v některých zemích můžete vrátit své výrobky místnímu prodejci při koupi ekvivalentního nového produktu.

Správnou likvidací tohoto produktu pomůžete zachovat cenné přírodní zdroje a napomáháte prevenci potenciálních negativních dopadů na životní prostředí a lidské zdraví, což by mohly být důsledky nesprávné likvidace odpadů. Pro získání informací o likvidaci a recyklaci tohoto spotřebiče se prosím obraťte na společnost Elektrowin a.s. tel. 241 091 843 nebo [www.elektrowin.cz](http://www.elektrowin.cz), kde naleznete i seznam míst zpětného odběru.

Při nesprávné likvidaci tohoto druhu odpadu mohou být v souladu s národními předpisy uděleny pokuty.

### Pro podnikové uživatele v zemích Evropské unie

Chcete-li likvidovat elektrická a elektronická zařízení, vyžádejte si potřebné informace od svého prodejce nebo dodavatele.

### Informace k likvidaci v ostatních zemích mimo Evropskou unii

Tento symbol je platný jen v Evropské unii.

Chcete-li tento výrobek zlikvidovat, vyžádejte si potřebné informace o správném způsobu likvidace od místních úřadů nebo od svého prodejce.



## PRIMA DI USARE L'UNITÀ

- Questa unità è progettata per essere usata solo in ambito domestico.

**Per utilizzare in modo ottimale l'unità, leggere sempre attentamente le istruzioni per l'uso che descrivono le caratteristiche dell'unità e forniscono istruzioni sulla conservazione e la refrigerazione degli alimenti.**

**Conservare sempre questo manuale in un luogo sicuro per poterlo consultare in caso di necessità.**

1. Dopo aver rimosso l'unità dall'imballaggio, verificare che non sia danneggiata e che lo sportello si chiuda correttamente. Segnalare gli eventuali danni visibili al rivenditore entro 24 ore dalla ricezione.
2. Attendere almeno due ore prima di accendere l'unità, per essere certi che il circuito di refrigerazione funzioni correttamente.
3. Verificare che l'installazione dell'unità e i collegamenti elettrici vengano sempre effettuati da un tecnico qualificato, in conformità con le istruzioni del produttore e in accordo con le norme sulla sicurezza locali.
4. Pulire l'interno dell'unità prima di usarla.

## PRIMA DI USARE L'UNITÀ

### 1. Imballaggio

Il materiale di imballaggio è completamente riciclabile, come indica il simbolo riportato sul materiale stesso. Smaltire tale materiale in conformità con le norme locali. Conservare sempre il materiale dell'imballaggio (buste di plastica, parti in polipropilene, ecc.) fuori dalla portata dei bambini, poiché possono essere potenzialmente pericolosi.

### 2. Smantellamento e smaltimento

L'unità è stata fabbricata utilizzando materiale riciclabile.

Sull'unità è riportato il simbolo di conformità con la direttiva europea 2002/96/CE relativa allo smaltimento di apparecchiature elettriche ed elettroniche usate (WEEE).

Uno smaltimento corretto dell'unità è essenziale per limitare al minimo i danni all'ambiente e la salute delle persone.

Il simbolo riportato sull'unità o nell'eventuale documentazione di accompagnamento indica

che non deve essere smaltita come normale rifiuto domestico e che deve invece essere consegnata a un centro per lo smaltimento di apparecchiature elettriche ed elettroniche usate. Al momento dello smantellamento, è necessario renderla inutilizzabile, tagliando il cavo di alimentazione e rimuovendo gli sportelli/i ripiani in modo che i bambini non possano arrampicarsi.

Smaltire l'unità in conformità con le normative locali in materia di smaltimento rifiuti, consegnandola a un centro di raccolta autorizzato. Non lasciare l'unità incustodita, nemmeno per pochi giorni, poiché rappresenta una potenziale fonte di pericolo per i bambini. Per ulteriori informazioni sul trattamento, il recupero e il riciclaggio dell'unità, rivolgersi all'ufficio pertinente di zona, alla società responsabile della raccolta di rifiuti urbani o al rivenditore dal quale è stata acquistata.

### Informazione

Questa unità non contiene CFC (poiché il circuito di refrigerazione contiene R134a) o HFC (poiché il circuito di refrigerazione contiene R600a). Per ulteriori informazioni, consultare la targhetta applicata all'unità.

Unità che utilizzano isobutano (R600a): l'isobutano è un gas naturale con un basso impatto ambientale, ma è infiammabile. Quindi, è indispensabile fare attenzione a non danneggiare le tubazioni del circuito.

### Dichiarazione di conformità

- Questa unità è progettata per essere usata per la conservazione di alimenti ed è stata fabbricata in conformità con il regolamento europeo n. 1935/2004. L'unità è stata progettata e prodotta, e viene commercializzata nel rispetto:

- Dei requisiti di sicurezza della Direttiva europea sulle apparecchiature a basso voltaggio (73/23/CEE).

- Dei requisiti di sicurezza della Direttiva europea sulla compatibilità elettromagnetica 89/336/CEE, successivamente modificata dalla Direttiva 93/68/CEE.

- La sicurezza elettrica dell'unità è garantita solo se viene collegata a un impianto elettrico funzionante e approvato, dotato di idonea messa a terra.

## ISTRUZIONI IMPORTANTI PER LA SICUREZZA

Le seguenti avvertenze vengono fornite a ulteriore tutela dell'utente. Accertarsi sempre di aver letto e compreso tutte le avvertenze prima di installare o usare questa unità. La sicurezza è molto importante. In caso di dubbi su quando indicato nelle avvertenze, è possibile rivolgersi al Servizio Clienti per ulteriore assistenza.

### Installazione

L'unità è pesante e deve quindi essere movimentata con cautela.

Non modificare le caratteristiche tecniche o il prodotto in alcun modo, poiché modifiche non autorizzate possono causare problemi.

Verificare che il cavo di alimentazione non sia collocato sotto all'unità. Se il cavo di alimentazione risulta danneggiato, richiedere un cavo sostitutivo al Centro di assistenza locale.

Tutti gli interventi sull'impianto elettrico necessari per installare l'unità devono essere effettuati da un elettricista qualificato o da una persona esperta.

Non lasciare esposte le parti che tendono a surriscaldarsi.

Se possibile, collocare il retro dell'unità contro il muro, alla distanza di sicurezza indicata nelle istruzioni di montaggio, al fine di garantire una ventilazione ottimale. Al termine dell'installazione, attendere sempre 2 ore prima di accendere l'unità per dare modo al refrigerante di stabilizzarsi.

**ATTENZIONE!** Installare sempre l'unità in un luogo adeguatamente ventilato.

### Precauzioni specifiche per l'incolumità dei bambini

Questa unità può essere usata dai bambini e le persone inferme solo sotto la supervisione di un adulto responsabile, che verifichi che l'unità viene usata in condizioni di sicurezza.

Verificare sempre che i bambini molto piccoli non giochino con l'unità.

### Precauzioni da seguire durante l'uso

Questa unità è progettata per essere usata esclusivamente in ambiente domestico e in particolare per la conservazione di alimenti.

Non ricongelare gli alimenti scongelati.

Non collocare bevande gassose nel congelatore.

Non consumare subito gli alimenti (ad esempio ghiaccioli) rimossi dal congelatore, per evitare congestioni.

Non rimuovere alimenti dal congelatore con le mani umide/bagnate per evitare abrasioni o ustioni da freddo.

### Pulizia e manutenzione

Spegnerne sempre l'unità o scollegarla dall'alimentazione elettrica prima di effettuare interventi di pulizia o manutenzione.

Non utilizzare utensili appuntiti per rimuovere la brina o il ghiaccio. Per ulteriori informazioni, vedere le istruzioni per lo sbrinamento.

**ATTENZIONE!** Non usare dispositivi meccanici o altre apparecchiature per accelerare lo scongelamento.

Non danneggiare il circuito di refrigerazione.

Utilizzare all'interno dell'unità solo le apparecchiature elettriche consigliate dal produttore.

### Riparazioni

Verificare che l'unità venga riparata solo da un tecnico qualificato e utilizzando parti di ricambio originali.

Non tentare mai di riparare direttamente l'unità. Le riparazioni non autorizzate possono provocare gravi lesioni o danni. Rivolgersi sempre al Centro di assistenza locale per le riparazioni.

### Al termine della vita utile

**NOTA:** prima di smaltire un frigorifero per vini, spegnerlo e scollegarlo dalla rete elettrica. Tagliare o rendere la spina inutilizzabile. Verificare che lo sportello non possa bloccarsi (oppure rimuoverlo), indipendentemente dal fatto che possa aperto da un lato.

**I FRIGORIFERI PER VINI RAPPRESENTANO UN PERICOLO PER I BAMBINI!**

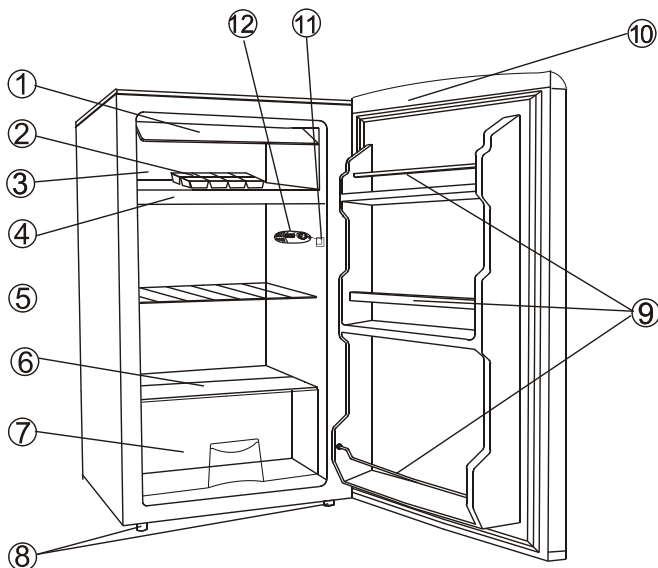
**ATTENZIONE!** Al termine della vita utile, smaltire l'unità in conformità con quanto indicato nella Direttiva W.E.E.E (vedere sezione successiva). L'unità contiene sia refrigerante R600a che un gas infiammabile, usato sotto forma di rivestimento di isolamento in schiuma.

Prima di smaltire il frigorifero per vini, spegnerlo e scollegarlo dall'alimentazione elettrica. Tagliare o rendere la spina inutilizzabile. Verificare che lo sportello non possa chiudersi completamente, anche nel caso in cui possa essere aperto dall'interno. Generalmente, è preferibile rimuovere lo sportello.

Leggere attentamente le istruzioni riportate in questo documento e conservarle in un luogo sicuro per poterle consegnare in caso di necessità.

## 1. Nome delle parti

### PARTI E FUNZIONI



1. Sportello del vano congelatore
2. Vassoio porta-ghiaccio (opzionale)
3. Vano congelatore
4. Vassoio di gocciolamento
5. Ripiani del vano frigorifero
6. Copertura in vetro
7. Cassetto verdure
8. Piedini di livellamento
9. Porta-bottiglie
10. Maniglia incassata
11. Interruttore sportello
12. Manopola per l'impostazione della temperatura
13. Copertura superiore

## 2. Posizionamento corretto

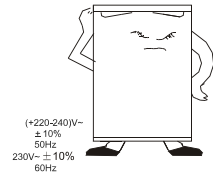
### Ventilazione adeguata

Una buona ventilazione su tutti i lati dell'unità è essenziale per garantire la corretta dissipazione del calore, un funzionamento ottimale dell'unità e consumi elettrici ridotti. Per questo motivo, è sempre necessario lasciare spazio sufficiente intorno a tutti e quattro i lati del frigorifero. Il retro dell'unità deve essere collocato ad almeno 100 mm dalla parete, i lati ad almeno 100 mm e sul lato superiore è necessario mantenere una distanza di sicurezza minima di 200 mm. Tenere conto anche che lo sportello deve poter essere aperto a 160°.



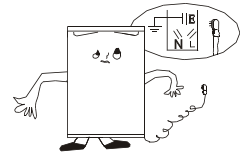
### Alimentazione

L'unità può essere alimentata solo tramite un'alimentazione monofase a corrente alternata a (220-240)V~50Hz;230V~60Hz. Se nell'area di residenza ci sono frequenti oscillazioni di tensione oppure se la tensione supera i valori indicati, è consigliabile installare un dispositivo automatico di regolazione della tensione CA per proteggere l'unità stessa. Collegare l'unità a una presa elettrica dedicata diversa da quella usata per le altre apparecchiature elettriche. Verificare che le caratteristiche della spina corrispondano a quelle della presa a muro con messa a terra.



### Cavo di alimentazione

Non piegare il cavo di alimentazione e non collegarlo a prolunghe mentre l'unità è in uso. Inoltre, fare molta attenzione a non collocare il cavo di alimentazione vicino al compressore sul retro dell'unità, poiché la superficie di questo componente può raggiungere temperature molto alte durante l'uso. L'eventuale contatto con questo componente può rendere inefficace l'isolamento oppure provocare la dispersione di corrente.



### Protezione dall'umidità

Non installare l'unità in luoghi molto umidi, anche per evitare che le parti in metallo del frigorifero possano arrugginirsi. Inoltre, non spruzzare direttamente acqua sul frigorifero per evitare di rendere l'isolamento inefficace e provocare la dispersione di corrente.



## 2. Posizionamento corretto

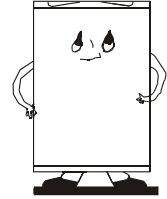
### Protezione dal calore

Non installare l'unità vicino a fonti di calore o alla luce diretta del sole.



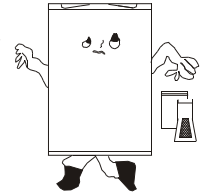
### Stabilità

Installare sempre l'unità su una superficie resistente e stabile. Non collocare il frigorifero su materiali morbidi come schiuma, plastica o altro materiale di questo tipo. Se l'unità non è allineata, regolare le viti. Non collocare l'unità vicino a oggetti che producono echi.



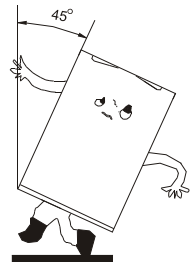
### Fonti di pericolo

Non installare l'unità vicino a materiali volatili o combustibili, quali gas, petrolio, alcol, lacca, olio vegetale, ecc. Non usare mai l'unità per conservare questi materiali.



### Movimentazione

Durante l'installazione o lo spostamento del frigorifero, non collocarlo mai in una posizione orizzontale, inclinarlo di 45° o capovolgerlo.



### 3. Indicazioni di pericolo

L'acqua contenuta in alcuni alimenti o nell'aria che penetra all'interno del frigorifero durante l'apertura delle porte, può formare una patina di brina all'interno dello stesso. Uno strato di brina molto spesso può ridurre le prestazioni del frigorifero. Quindi, se lo strato di brina supera lo spessore di 2 mm, è opportuno sbrinare il frigorifero.

Lo sbrinamento del vano congelatore deve essere effettuata manualmente. Prima di eseguire questa operazione, rimuovere gli alimenti, il vassoio porta-ghiaccio e i ripiani, spostandoli temporaneamente nel vano frigorifero. Quindi, impostare la manopola per la regolazione della temperatura in posizione "0" (per arrestare il compressore) e lasciare lo sportello aperto fino a quando il ghiaccio non si scioglie completamente depositandosi in fondo al vano congelatore. A questo punto, è possibile asciugare l'acqua con un panno morbido. Per rendere l'operazione più veloce, è possibile collocare un contenitore di acqua calda (a una temperatura di circa 50°C) nel vano congelatore. Ricordarsi di riportare la manopola di impostazione della temperatura nella posizione di origine al termine dello sbrinamento.

Non tentare di riscaldare direttamente il vano congelatore con acqua calda o un asciugacapelli per rendere più veloce lo sbrinamento, poiché questa operazione può deformare il rivestimento interno.

Non è generalmente consigliabile raschiare il ghiaccio o la brina oppure tentare di staccare gli alimenti da contenitori congelati utilizzando un utensile appuntito o aste di legno, poiché queste operazioni possono danneggiare il rivestimento interno oppure la superficie dell'evaporatore.

Se il cavo di alimentazione è danneggiato, farlo sostituire solo a un centro di assistenza autorizzato del produttore. L'operazione di sostituzione del cavo di alimentazione richiede l'uso di utensili speciali.

## 4. Spostamento dello sportello sull'altro lato

Questo frigorifero è munito di cerniere per lo sportello sul lato destro. Per modificare la direzione di apertura dello sportello, è sufficiente effettuare le seguenti operazioni:

1. Rimuovere la piccola copertura in plastica (7) e le viti (6) che fissano in posizione il ripiano di lavoro per smontarlo.
2. Rimuovere le due viti (1) che fissano in posizione la cerniera superiore (5) (sul lato destro) alla struttura. Rimuovere la cerniera superiore (5).
3. Sollevare lo sportello e collocarlo su una superficie imbottita per evitare di graffiarlo.
4. Rimuovere le due viti (8) che fissano in posizione la cerniera inferiore (2) e rimuoverla.
5. Rimuovere il piedino anteriore sinistro (4) e montarlo sul lato destro.
6. Prima di montare la cerniera inferiore (2), rimuovere il perno di fissaggio (9) e invertire la direzione della cerniera inferiore (2). Quindi, montare la cerniera inferiore (2) sul lato sinistro della struttura inferiore, bloccandola in posizione con due viti (8).
7. Inserire il perno di fissaggio (9) nella cerniera inferiore (2).
8. Collocare lo sportello in posizione, verificando che sia inserito nella cerniera inferiore (2).
9. Tenendo lo sportello in posizione chiusa, fissare la cerniera superiore (5) al lato sinistro della struttura superiore e bloccarla in posizione con due viti (1). Fare attenzione a serrare saldamente le due viti (1) solo dopo aver allineato lo sportello con la contropiastra.
10. Rimuovere la maniglia dello sportello (10) dal lato sinistro e montarla sul lato destro.

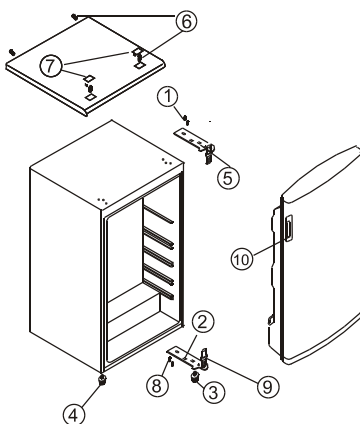


FIGURA 1

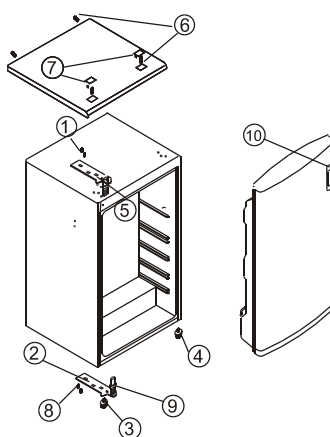


FIGURA 2

FIGURA 1 – POSIZIONE DELLE PARTI PRIMA DELL'INVERSIONE DELLO SPORTELLLO.  
FIGURA 2 – POSIZIONE DELLE PARTI DOPO L'INVERSIONE DELLO SPORTELLLO.

## 5. Manutenzione

### **Pulire le superfici esterne con un panno morbido.**

#### **Assenze per lunghi periodi di tempo**

1. Svuotare il frigorifero.
  2. Scollegare il frigorifero dalla rete elettrica.
  3. Sbrinare e pulire l'interno del frigorifero.
  4. Se si prevede di non usare l'unità per lunghi periodi di tempo, lasciare la porta aperta per evitare che si formino muffa, cattivi odori e ossidazione.
  5. Pulire l'unità.
    - . Pulire l'interno del vano a bassa temperatura (se presente).
    - . Pulire regolarmente l'interno del vano frigorifero con una spugna imbevuta di acqua calda e/o detergente neutro. Sciacquare e asciugare con un panno morbido.
- Non usare prodotti abrasivi, candeggina, smacchiatori (come acetone o tricloroetilene) o aceto.

#### **Sostituzione delle lampadine**

Prima di sostituire la lampadina, scollegare l'unità dalla rete elettrica. Quindi, eseguire le operazioni descritte di seguito.

Premere le linguette sui lati della copertura della lampadina e rimuovere la stessa.

Sostituire la lampadina con una nuova della potenza massima di 10 W.

Rimontare il coperchio della lampadina e attendere 5 minuti prima di ricollegare l'unità alla rete elettrica.



## 6. Risoluzione dei problemi

1. Se il frigorifero non funziona:

Verificare che non ci siano interruzioni nell'alimentazione.  
Verificare che la spina di alimentazione sia inserita nella presa a muro.  
Verificare che il fusibile non sia bruciato.

2. Se la temperatura di refrigerazione è troppo alta:

Verificare che la manopola di impostazione della temperatura sia impostata sul valore corretto.  
Se gli alimenti contenenti molta condensa vengono collocati direttamente sotto alle prese dell'aria, è possibile che si congelino velocemente. Questa condizione non indica un guasto.

3. Se la temperatura di refrigerazione è troppo bassa:

Gli alimenti sono troppo vicini gli uni agli altri e ostruiscono il flusso dell'aria.  
Si sono inseriti alimenti troppo caldi o una quantità eccessiva di alimenti nel frigorifero.  
Lo sportello non è stato chiuso correttamente.  
Le guarnizioni dello sportello sono danneggiate.  
La ventilazione è insufficiente.  
Il frigorifero è stato installato troppo vicino alla parete o ad altri oggetti (sopra o ai lati).  
La manopola di regolazione della temperatura non è stata impostata correttamente.

4. Se l'acqua prodotta durante lo sbrinatorio cade nel frigorifero e sul pavimento:

Verificare che il tubo e l'apertura di scarico non siano danneggiati.  
Verificare che il contenitore di raccolta dell'acqua sia stato posizionato correttamente.

5. Se si forma condensa sulle superfici esterne del frigorifero:

La condensa può talvolta formarsi sulle superfici esterne del frigorifero se l'umidità è molto alta o l'ambiente è molto umido. Questa condensa è simile a quella che si forma quando si versa acqua fredda in un bicchiere e non indica quindi un problema del frigorifero. Rimuovere la condensa con un panno asciutto.

6. Se si sente un rumore simile all'acqua che scorre:

Questo rumore è generalmente prodotto dal refrigerante che scorre e non indica un guasto.

7. Se il pannello laterale del vano si riscalda:

Il pannello laterale del vano si riscalda quando si apre e si chiude frequentemente la porta, quando si accende l'unità o se la temperatura ambientale esterna è molto alta. In questo caso, è opportuno non toccare il pannello. Il surriscaldamento del pannello è prodotto dalla dissipazione del calore all'interno del vano e non indica un guasto.

## 7. Specifiche tecniche

\*Per informazioni dettagliate sulle specifiche tecniche, fare riferimento alla targhetta applicata sul retro del frigorifero.

\*Le specifiche possono essere modificate senza preavviso.

## AVANT TOUTE UTILISATION

Cette notice contient des informations importantes relatives à l'installation, à l'utilisation et à la maintenance de votre nouveau réfrigérateur. Nous vous recommandons de la lire attentivement avant toute utilisation.

Ces avertissements vous sont donnés en vue d'assurer votre sécurité. Assurez-vous d'avoir tout compris avant d'installer et d'utiliser votre appareil et n'hésitez pas à contacter votre revendeur ou votre service client si un doute relatif à la compréhension des informations contenues dans cette notice subsiste.

FRANCE

Conservez ce document et n'oubliez pas de le confier à l'acquéreur en cas de revente.

Votre appareil est exclusivement réservé à un usage domestique.

## INSTRUCTIONS DE SECURITE IMPORTANTES

### **Déclaration de conformité**

Cet appareil est destiné au stockage et à la conservation de nourriture en conformité avec la directive européenne (CE) n° 1935/2004.

Cet appareil a été créé, produit et commercialisé en accord avec les spécifications des directives 73/23/EEC et 89/336/EEC, et de l'amendement 93/68/EEC.

La sécurité du circuit électrique de votre appareil n'est garantie que sous réserve d'un branchement à une installation électrique aux normes en vigueur.

### **Installation**

- 1/ Après avoir retiré l'emballage intérieur et extérieur de l'appareil, assurez-vous que celui-ci soit en bon état et que la porte se referme correctement. Tout appareil endommagé doit être signalé à votre revendeur dans les 24 heures après la livraison.
- 2/ Laissez reposer l'appareil en position verticale pendant au moins 2 heures avant de le raccorder au réseau d'électricité. Ceci réduit le risque de défaillance du système de réfrigération liée au déplacement.
- 3/ Assurez-vous que le branchement électrique soit aux normes.
- 4/ Nettoyez l'intérieur de l'appareil à l'eau tiède et avec un chiffon doux.

- Cet appareil est lourd. Il doit être déplacé avec prudence.
- Il peut être dangereux de chercher à modifier le produit ou ses spécificités techniques.
- Assurez-vous que l'appareil ne soit pas posé sur son câble électrique. Si ce dernier venait à être endommagé, il devrait être remplacé par un câble spécifique par les soins d'un centre de services agréé.
- L'installation électrique sur laquelle votre réfrigérateur est branché doit avoir été réalisée par un professionnel qualifié.
- Les parties du réfrigérateur amenées à chauffer ne doivent pas être directement accessibles. Lorsque cela est possible, il est conseillé de positionner l'arrière de l'appareil contre un mur (en veillant à laisser un espace suffisant pour la ventilation comme décrit dans les instructions ci-après).

**ATTENTION !** L'appareil doit être placé dans une pièce suffisamment ventilée.

**L'emballage** de cet appareil a été construit avec des matériaux 100% recyclables. Merci de prendre vos dispositions pour le jeter en accord avec les réglementations locales. Veillez à ne pas laisser l'emballage de l'appareil à la portée des enfants.

**Le réfrigérant** isobutane (R600a) est contenu dans le circuit de votre appareil. Il s'agit d'un gaz naturel respectueux de l'environnement, qui est cependant inflammable. Assurez-vous

qu'aucun composant du circuit de réfrigération ne vienne à être endommagé lors du transport ou de l'installation de l'appareil.

Si le circuit réfrigérant venait à être endommagé :

- tenez l'appareil à l'écart de toutes flammes et sources inflammables;
- ventilez au maximum la pièce dans laquelle se trouve l'appareil.

### **Pour la sécurité des enfants**

Cet appareil ne doit pas être utilisé par des enfants ou par une personne déficiente sans l'accord et la surveillance d'un adulte.

### **Conseils d'utilisation**

- Cet appareil a été exclusivement conçu pour le stockage de nourriture dans le cadre d'un usage domestique.
- Les aliments ne doivent pas être recongelés s'ils l'ont déjà été.
- Ne pas stocker de boissons gazeuses ou pétillantes dans le congélateur.
- Ne pas déplacer d'aliments du congélateur lorsque vous avez les mains mouillées ou humides. Vous risqueriez de vous abîmer la peau ou de vous brûler.

### **Entretien et nettoyage**

- Eteignez et débranchez l'appareil avant de le nettoyer.

ATTENTION ! N'utilisez jamais d'instruments coupants pour enlever manuellement du givre ou de la glace (lire attentivement les instructions spécifiques au dégivrage).

Ne pas endommager le circuit réfrigérant.

Vous ne devez en aucun cas placer un appareil électrique à l'intérieur de l'appareil.


### **Réparation**

Cet appareil doit être réparé par un professionnel agréé, ceci exclusivement avec des pièces d'origine. Vous ne devez en aucun cas tenter de réparer votre appareil par vos propres moyens. Un réparateur non qualifié pourrait provoquer un danger pour les utilisateurs. Si votre appareil a besoin d'être réparé, contactez votre revendeur.

### **Mise hors d'usage**

Cet appareil a été conçu avec des matériaux recyclables. Il est commercialisé en accord avec la directive européenne 2002/96/CE sur les déchets des équipements électriques et électroniques (DEEE). En vous assurant que ce produit est correctement recyclé, vous participez à la prévention des conséquences négatives sur l'environnement et la santé publique qui pourraient être causées par une mise au rebut inappropriée du produit.

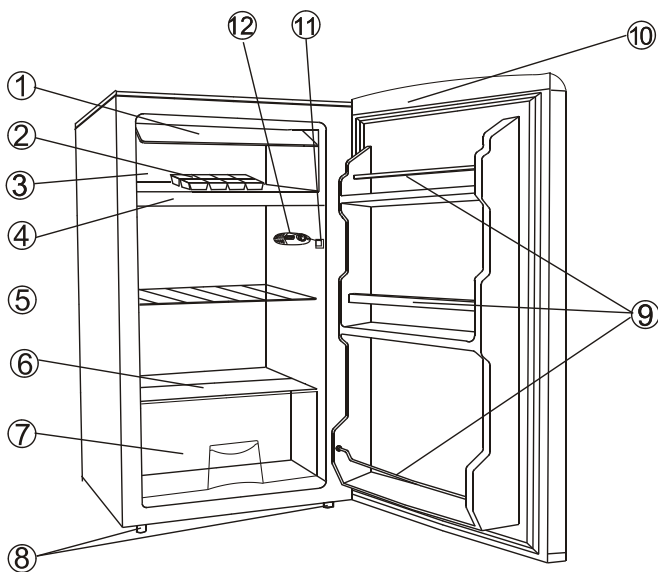
ATTENTION !

Le symbole  sur ce produit ou sur les documents indique qu'il ne doit pas être traité comme un déchet ménager. Il doit être rapporté jusqu'à un point de recyclage des déchets électriques et électroniques.

Avant de le jeter, démontez la porte, laissez les clayettes en place afin que les enfants ne puissent pas jouer dans le produit.

Pour plus d'informations, nous vous encourageons à vous rapprocher de vos services locaux de collecte des déchets ou de votre revendeur.

## 1/ VUE D'ENSEMBLE DE L'APPAREIL

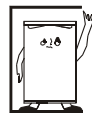


- 1/ Porte du compartiment congélateur
- 2/ Bac à glaçons (optionnel)
- 3/ Compartiment congélateur
- 4/ Plateau anti-gouttes
- 5/ Clayettes du réfrigérateur
- 6/ Clayette de couverture du bac à légumes en verre
- 7/ Bac à légumes
- 8/ Pieds réglables
- 9/ Balconnets à bouteilles
- 10/ Poignée
- 11/ Témoin de fermeture de porte
- 12/ Contrôle des températures
- 13/ Plateau supérieur

## 2/ INSTRUCTIONS D'INSTALLATION

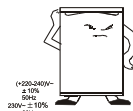
### Une bonne ventilation

Pour des raisons de sécurité, d'économies d'énergie et de longévité de votre appareil, vous devez veiller à laisser un espace suffisant sur les côtés et à l'arrière de l'appareil : au moins 100mm entre l'arrière de l'appareil et le mur ainsi que sur les côtés, et au moins 200mm au-dessus de l'appareil. Un espace suffisant doit également être prévu pour permettre une ouverture de porte à 160°.



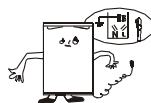
### Alimentation électrique

L'appareil est seulement compatible avec une prise de 220-240V~/ 50Hz ; 230V~/ 60Hz. Si vous souhaitez brancher votre réfrigérateur dans un lieu où le voltage ou la fréquence sont différents de ceux précédemment préconisés, il est important, par mesure de sécurité, que vous vous rapprochiez d'un électricien ou d'un professionnel qualifié de manière à faire les adaptations nécessaires.



### Cordon d'alimentation

Le fil ne doit pas être plié lorsque l'appareil est en service ni rallongé. Par ailleurs, il est important de veiller à ce que le fil ne soit pas proche ou ne touche pas le compresseur à l'arrière de l'appareil car il peut chauffer lorsqu'il fonctionne et l'isolant peut ainsi s'altérer et provoquer une fuite électrique.



### Protection de l'humidité

Évitez de placer l'appareil dans une pièce où il y a un fort taux d'humidité afin de minimiser la possibilité qu'une pièce métallique ne rouille. Il est également impératif de veiller à ce que l'appareil ne soit pas éclaboussé d'eau. Cela pourrait impacter le pouvoir d'isolation et causer une perte d'énergie.



### Protection de la chaleur

Le réfrigérateur ne doit pas être directement exposé à une source de chaleur et aux rayons du soleil.



### La surface au sol

La surface sur laquelle le réfrigérateur est positionné doit être parfaitement plate et solide. Il ne doit absolument pas être posé sur une surface instable. Les pieds de l'appareil vous permettent d'ajuster sa hauteur à souhait.



### Éviter tout danger

Il est déconseillé de placer le réfrigérateur à proximité d'un quelconque combustible tel que du gaz, de l'essence, de l'alcool... Ces derniers ne doivent pas non plus être stockés dans votre appareil.



### Déplacer l'appareil

Ne couchez pas l'appareil horizontalement ou à un angle inférieur à 45° lorsque vous le déplacez.



### **3/ PRECAUTIONS D'EMPLOI**

- L'eau contenue dans les aliments ou dans l'air du réfrigérateur est susceptible de former une couche de glace à l'intérieur de l'appareil. Une fine couche affaiblira légèrement la puissance du réfrigérateur. Il est nécessaire de procéder à un dégivrage lorsqu'elle atteint une épaisseur de 2mm.
- Le dégivrage du compartiment congélateur doit être effectué manuellement. Avant d'y procéder, veillez à enlever toute la nourriture se trouvant dans l'appareil ainsi que le bac à glaçons et les étagères, puis tournez le bouton de contrôle sur la position « 0 » (l'appareil s'arrêtera alors de fonctionner). Il convient de laisser la porte ouverte jusqu'à ce que la totalité de la glace et du givre soit fondue. Si vous souhaitez accélérer le dégivrage, placez un récipient d'eau chaude (à environ 50°C) à l'intérieur du compartiment congélateur. Veillez à repositionner le bouton de contrôle sur la position initiale lorsque le dégivrage est terminé.
- Il est déconseillé de réchauffer le compartiment congélateur en y déposant directement de l'eau chaude ou avec un sèche-cheveux afin d'éviter la déformation de la cuve.
- Il est également déconseillé de gratter la glace et le givre ou de séparer les aliments qui se sont collés à la surface du compartiment avec des instruments coupants ou en bois ; cela risquerait d'endommager la cuve intérieure ou l'évaporateur.
- Si le câble électrique de l'appareil est endommagé, il doit impérativement être remplacé par un réparateur agréé qui est muni d'outils spécifiques adaptés.

#### **4/ INVERSION DU SENS D'OUVERTURE DES PORTES**

Votre réfrigérateur vous est livré avec les charnières de la porte montées à droite. Voici les instructions à suivre si vous désirez changer le sens d'ouverture de la porte :

- 1/ Retirer les petits caches en plastique (7) et les vis (6) qui fixent le plateau supérieur.
- 2/ Enlever les deux vis (1) qui lient la charnière supérieure (5) (côté droit) au cadre.
- 3/ Soulever la porte et la placer dans un endroit sûr pour éviter de l'abîmer.
- 4/ Retirer les deux vis (8) qui tiennent la charnière inférieure et enlever cette charnière (2).
- 5/ Enlever le pied gauche avant (4) et le repositionner du côté droit.
- 6/ Avant de replacer la charnière inférieure (2), enlever l'écrou et inverser le sens de la charnière (2). Puis installer cette dernière du côté gauche à l'aide de deux vis (8).
- 7/ Revisser l'écrou (9) de la charnière inférieure (2).
- 8/ Replacer la porte en veillant à ce qu'elle s'encastre bien dans la charnière inférieure (2).
- 9/ Après avoir repoussé la porte pour la fermer, replacer la charnière supérieure (5) du côté gauche avec deux vis (1). Veiller à ne pas resserrer les deux vis (1) avant que le positionnement du haut de la porte ne soit ajusté avec celui du plateau supérieur.
- 10/ Réinstaller le plateau sur le dessus de l'appareil avec des vis (6), puis remettre les petits caches en plastique à leurs emplacements (7).
- 11/ Déplacer la poignée de la porte du côté gauche au côté droit.

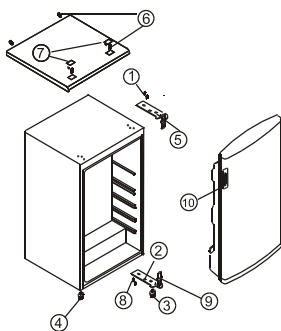


Schéma 1

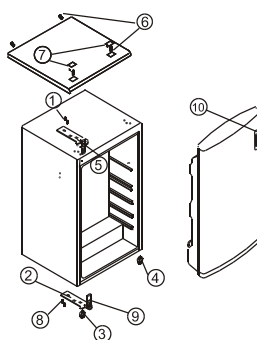


Schéma 2

Schéma 1 – Positionnement de chaque pièce avant l'inversion du sens d'ouverture.  
Schéma 2 – Positionnement de chaque pièce après l'inversion du sens d'ouverture.

## 5/ ENTRETIEN DE L'APPAREIL

Il convient de nettoyer votre appareil à l'aide d'un chiffon doux.

### **En cas de non-utilisation prolongée**

1/ Vider le réfrigérateur

2/ Débrancher l'appareil de la prise de courant.

3/ Dégivrer et nettoyer l'intérieur de l'appareil.

4/ Laisser la porte entrouverte pour prévenir de la formation moisissure, d'odeurs inopportunes ou d'oxydation.

5/ Nettoyer l'appareil :

- Laver l'intérieur du compartiment congélateur lorsque ce dernier est dégivré.
- Laver l'intérieur du compartiment réfrigérateur avec une éponge mouillée et/ou un détergent doux. Rincer et essuyer avec un chiffon.
- Ne pas utiliser de produits abrasifs pour récuser ou enlever les tâches tels que de l'acétone, du trichloréthylène ou du vinaigre.

### **Remplacement d'une ampoule**

Lors du remplacement de l'ampoule, débrancher l'appareil et procéder comme suit :

Enlever le cache sur le côté du bloc où se trouve l'ampoule.

Remplacer l'ampoule avec une nouvelle de 10W maximum.

Remettre le cache et attendre 5 minutes avant de rebrancher l'appareil.





## 6/ DYSFONCTIONNEMENTS EVENTUELS

Vous pouvez résoudre facilement la plupart des problèmes classiques de votre réfrigérateur, en vous économisant un appel au service après-vente.

Prenez soin de lire attentivement les informations ci-dessous avant d'appeler votre service après-vente.

PROBLEME	CAUSE POSSIBLE
Le réfrigérateur ne fonctionne pas.	<ul style="list-style-type: none"><li>- Vérifier qu'il soit bien branché.</li><li>- Vérifier que le bouton soit bien en position de marche.</li><li>- Vérifier que le disjoncteur de la maison n'ai pas sauté ou qu'un fusible ne soit pas grillé.</li></ul>
Le réfrigérateur est trop froid.	<ul style="list-style-type: none"><li>- Le bouton de contrôle du thermostat est peut-être réglé sur une position trop élevée.</li><li>- Si vous placez des aliments très humides directement sous les ouïes d'évacuation d'air, ils sont susceptibles de congeler facilement. Cela n'est pas témoin d'un mauvais fonctionnement.</li></ul>
Le réfrigérateur n'est pas assez froid.	<ul style="list-style-type: none"><li>- Les aliments sont peut-être stockés trop près les uns des autres, ce qui empêche une bonne circulation de l'air.</li><li>- Vous avez peut-être mis de la nourriture chaude dans votre réfrigérateur ou stocké un trop grand nombre d'aliments.</li><li>- La porte n'est pas correctement fermée.</li><li>- Les joints des portes sont endommagés.</li><li>- Le réfrigérateur n'est peut-être pas suffisamment ventilé. Veillez à respecter une espace suffisant entre l'appareil et les éléments qui l'entourent.</li><li>- Le bouton de contrôle du thermostat est-il bien réglé ?</li></ul>
L'eau de dégivrage se déverse par terre ou dans l'appareil.	<ul style="list-style-type: none"><li>- Vérifier que le tuyau et le trou d'évacuation ne sont pas bouchés.</li><li>- Vérifier que le récipient de récupération d'eau est correctement positionné.</li></ul>
De la condensation apparaît à l'extérieur de l'appareil.	<ul style="list-style-type: none"><li>- De la condensation est susceptible d'apparaître quand l'air a un taux d'humidité élevé (notamment pendant la saison des pluies). Ce phénomène n'est pas le signe d'un problème. Il suffit d'essuyer l'humidité avec un chiffon propre.</li></ul>
Vous entendez un bruit d'eau.	<p>Ce bruit d'eau est du au fonctionnement du circuit de réfrigération et est normal.</p>
La carrosserie de l'appareil se réchauffe.	<p>Les côtés du réfrigérateur peuvent se réchauffer si vous ouvrez et fermez trop fréquemment la porte, lorsque vous allumez l'appareil ou que ce dernier fonctionne en été alors qu'il fait très chaud. Dans ce cas, ne touchez pas les côtés de l'appareil. Cela résulte de la dissipation de la chaleur contenue dans l'appareil et ne signale en aucun cas un dysfonctionnement.</p>

## 7/ SPECIFICATIONS TECHNIQUES

Pour des spécifications techniques détaillées, merci de vous référer à la plaque de données située à l'arrière du produit.

Les spécifications techniques du produit sont susceptibles de changer en raison d'améliorations constantes.

## ÎNAINTE DE A UTILIZA APARATUL

Acest aparat este destinat numai pentru uz casnic. Pentru o utilizare cât mai bună, citiți cu atenție instrucțiunile de utilizare ce conțin descrierea aparatului și recomandările privind depozitarea și păstrarea alimentelor. Păstrați acest manual pentru referințe ulterioare.

1. După ce despachetați aparatul, asigurați-vă de faptul că nu este avariat iar ușile se închid corespunzător. Avariile trebuie să fie raportate dealer-ului în maxim 24 de ore de la livrarea aparatului.
2. Așteptați cel puțin 2 ore înainte de a porni aparatul pentru a asigura eficiența circuitului refrigerant.
3. Asigurați-vă de faptul că instalarea și conexiunile electrice sunt realizate de către un tehnician calificat în conformitate cu instrucțiunile producătorului în conformitate cu regulile de siguranță.
4. Curățați partea interioară a aparatului înainte de utilizare.


## ÎNAINTE DE A UTILIZA APARATUL

### 1. Ambalare

Ambalajele sunt 100% reciclabile. Respectați regulile locale privind reciclarea. Nu lăsați ambalajele la îndemâna copiilor deoarece reprezintă un potențial pericol.

### 2. Reciclarea

Aparatul este realizat din material reciclabile. Acest aparat este marcat în conformitate cu Directiva europeană 2002/96/EC privind reciclarea echipamentelor electrice și electronice (WEEE). Prin reciclarea corespunzătoare a acestui aparat, veți ajuta la prevenirea consecințelor negative asupra mediului înconjurător și a sănătății.

Simbolul  de pe aparat sau de pe manual indică faptul că aparatul nu trebuie să fie tratat ca și gunoi menajer și trebuie să fie predat unui centru de colectare potrivit. Atunci când reciclați aparatul, tăiați cablul de alimentare și îndepărtați ușa și rafturile pentru a împiedica blocarea copiilor în interior. Reciclați aparatul în conformitate cu regulile locale privind reciclarea; nu lăsați aparatul nesupravegheat chiar și pentru câteva zile, deoarece poate fi un pericol pentru copii. Pentru mai multe informații, contactați autoritățile locale, centrele de colectare sau magazinul de unde ați cumpărat aparatul.

### Informații:

Acest aparat nu conține CFC (circuitul refrigerant conține R134a) sau HFC (circuitul refrigerant conține R600a) (vezi plăcuța cu date tehnice din interiorul aparatului).

Aparatele cu izobutan (R600a):

Izobutanul este un gaz natural ce nu are un impact asupra mediului înconjurător însă este inflamabil. De aceea, asigurați-vă de faptul că nu sunt avariate conductele circuitului refrigerant.

### Declarație de conformitate

Acest aparat este destinat pentru depozitarea alimentelor și este produs în conformitate cu regulile europene (EC) Nr. 1935/2004.



- Acest produs a fost creat și marcat în conformitate cu:
- Măsurile de siguranță ale Directivelor privind voltajul scăzut 73/23/EEC.
- Cerințele privind protecția Directivelor „EMC” 89/336/EEC, îmbunătățite de Directiva 93/68/EEC.

Siguranța electrică a aparatului este garantată doar dacă este conectat la un sistem de împământare eficient.



## MĂSURILE IMPORTANTE DE SIGURANȚĂ

Aceste avertizări sunt furnizate pentru siguranța dumneavoastră. Asigurați-vă de faptul că le-ați înțeles înainte de a instala și utiliza aparatul. Siguranța dumneavoastră este foarte importantă. Dacă nu sunteți siguri de semnificația acestor avertismente, contactați Departamentul de relații cu clienții.

### Instalare

- Acest aparat este greu. Aveți grijă atunci când îl deplasați.
- Este periculos să modificați specificațiile sau să modificați produsul în orice fel.
- Asigurați-vă de faptul că aparatul nu este așezat pe cablul de alimentare. În cazul în care cablul este avariât, acesta trebuie să fie înlocuit de către un centru de service autorizat.
- Orice operațiuni necesare pentru a instala acest aparat trebuie să fie realizate de către un electrician sau de persoane competente.
- Părțile care se încălzesc nu trebuie să fie expuse. Atunci când este posibil, partea din spatele aparatului trebuie să fie îndreptată către perete însă la distanță pentru a permite aerisirea așa cum este indicat în instrucțiunile de instalare.
- Aparatul trebuie să fie lăsat 2 ore după instalare înainte de a-l porni, pentru a permite agentului refrigerant să se liniștească.

**ATENȚIE: Asigurați întotdeauna aerisire pentru aparat.**

### Siguranța copiilor

- Acest aparat nu este destinat pentru a fi utilizat de către copii mici sau persoane infirme, doar sub supraveghere pentru a fi siguri de faptul că este utilizat corespunzător.
- Copiii mici trebuie să fie supravegheați pentru a vă asigura de faptul că nu se joacă cu aparatul.

### În timpul utilizării

- Acest aparat este destinat uzului casnic, pentru depozitarea produselor comestibile.
- Alimentele congelate nu pot fi recongelate după ce au fost decongelate.
- Nu introduceți băuturi carbogazoase în frigider.
- Înghețata poate produce „arsuri de gheață” dacă sunt consumate direct din congelator.
- Nu îndepărtați alimentele din congelator dacă aveți mâinile umede, deoarece vă puteți răni.

### Întreținere și curățare

- Oprțiți și scoateți aparatul din priză înainte de a realiza operațiunea de curățare și întreținere.

- Nu utilizați instrumente ascuțite pentru a îndepărta gheața (vezi instrucțiunile privind decongelarea).

**ATENȚIE: NU trebuie să utilizați echipamente mecanice sau alte moduri pentru a grăbi procesul de decongelare. Nu avariați circuitul refrigerant. Nu utilizați un echipament electric din interiorul aparatului cu excepția celor recomandate de către producător.**

### Service

Acest produs trebuie să fie reparat de către un personal autorizat și cu piese de schimb originale.

- Nu încercați să reparați singuri aparatul. Reparațiile realizate de către o persoană fără experiență poate duce la producerea de leziuni sau avarii serioase. Contactați un centru de service autorizat.

### La finalul duratei de viață

**OBSERVAȚIE: Înainte de a recicla un aparat vechi, oprțiți-l, deconectați-l de la sursa de alimentare cu energie și tăiați ștecherul. Asigurați-vă de faptul că ușa nu se poate bloca (îndepărtarea este recomandabilă), indiferent dacă poate fi deschisă din interior.**

**NU LĂSAȚI COPIII SĂ SE JOACE ÎN ACEST APARAT.**

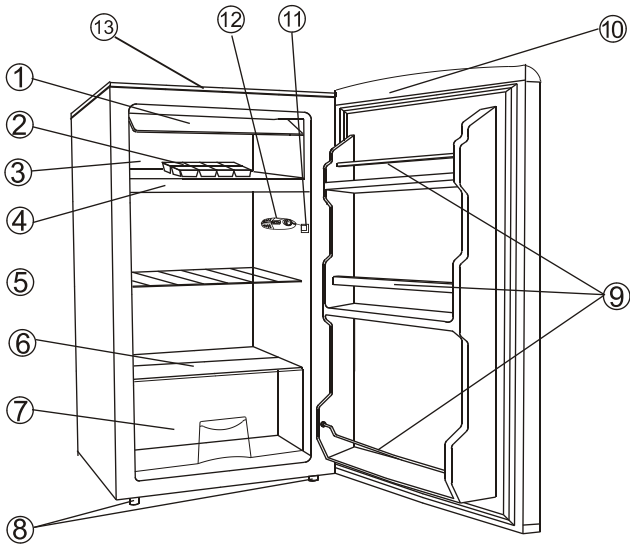
**ATENȚIE: La finalul duratei de viață, aparatul trebuie să fie reciclat în conformitate cu directiva W.E.E.E (vezi mai jos). Aparatul conține agent refrigerant R600a și gaz inflamabil în spuma izolatoare.**

- Înainte de a recicla aparatul, oprțiți-l și deconectați cablul de alimentare de la priză. Tăiați-l.
- Asigurați-vă de faptul că ușa nu se închide complet indiferent dacă poate fi deschisă din interior (cel mai bine îndepărtați ușa).



Citiți cu atenție manualul de utilizare și păstrați-l pentru referințe ulterioare.

## 1. Numele părților componente

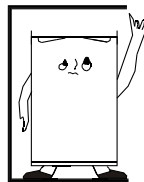


1. Ușă compartiment congelator
2. Tăviță pentru cuburi de gheață (opțional)
3. Compartiment congelator
4. Tavă colectoare
5. Rafturile compartimentului frigiderului
6. Capac din sticlă
7. Cutie legume și fructe
8. Picioare reglabile
9. Rafturi pentru sticle
10. Mâner
11. Buton ușă
12. Buton control temperatură
13. Capac superior

## 2. Poziționare corespunzătoare

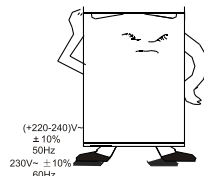
### Aerisire corespunzătoare

Trebuie să existe o aerisire corespunzătoare în jurul frigiderului pentru disiparea corespunzătoare a căldurii, pentru eficiență maximă a frigiderului cu un consum redus. Lăsați un spațiu suficient în jurul frigiderului. În spate trebuie să existe un spațiu de cel puțin 100 mm față de perete iar în părțile laterale de minim 200 mm. Trebuie să fie lăsat un spațiu deschis pentru a deschide ușile la 160°.



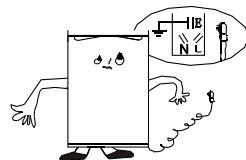
### Alimentare

Frigiderul poate fi alimentat de la o sursă de alimentare ce furnizează un curent alternativ monofazic (220-240)V ~/50Hz; 230V~/60Hz. Dacă fluctuațiile sunt mari, pentru siguranța dumneavoastră aplicați un dispozitiv de reglare al voltajului pentru frigider. Acesta trebuie să utilizeze o priză special în locul celei normale împreună cu alte echipamente electrice. Ștecherul trebuie să se potrivească cu priza prevăzută cu împământare.



### Cablul alimentare

Cablul nu trebuie să fie prelungit sau îndoit în timpul utilizării. Este interzisă așezarea cablului prea aproape de compresorul din partea din spate a frigiderului deoarece suprafața acestuia este ridicată în timpul utilizării. Aingerea poate dezactiva izolația sau se pot produce scurgeri de electricitate.



### Protecția împotriva umezelii

Evitați așezarea frigiderului în locuri cu multă umezeală pentru a reduce posibilitatea de ruginire a părților metalice. Mai mult, este interzisă stropirea frigiderului cu apă deoarece în cazul unei izolații necorespunzătoare, se pot produce scurgeri de energie.



## 2. Poziționare corespunzătoare

### Protejarea împotriva căldurii

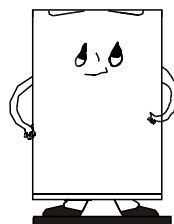
Frigiderul trebuie să fie instalat la distanță de sursele de căldură sau de acțiunea directă a soarelui.



---

### Suport stabil

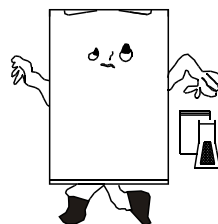
Pardoseala pe care este așezată aparatul trebuie să fie dreaptă și solidă. Nu trebuie să fie așezat pe un material moale cum ar fi plasticul spumă, etc. Dacă frigiderul nu se află la același nivel, ajustați șuruburile corespunzător. Frigiderul nu trebuie să fie așezat în locuri unde se poate produce ecou.



---

### Protejați aparatul de pericole

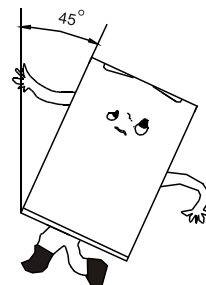
Nu este recomandabil ca frigiderul să fie așezat în apropierea produselor volatile sau combustibile cum ar fi gaz, petrol, alcool, lacuri, etc. Obiectele menționate mai sus nu pot fi depozitate în frigider.



---

### Transportarea

Atunci când este fixat sau este transportat, frigiderul nu poate fi setat orizontal sau înclinat la un unghi mai mare de 45° sau cu partea de jos în sus.



### 3. Avertizări

- Apa din alimente sau cea din aerul care pătrunde în frigider prin deschiderea ușii poate duce la formarea unui strat de gheață în interior. Va fi redusă capacitatea frigiderului atunci când stratul de gheață este gros. Atunci când aceasta depășește 2mm grosime, trebuie să fie decongelată.
- Decongelarea din compartimentul congelatorului este realizată manual. Înainte de decongelare, scoateți alimentele, tava pentru gheață și rafturile în compartimentul pentru depozitare rece apoi setați butonul pentru temperatură pe poziția „0” (compresorul s-a oprit din funcționare) și lăsați ușa deschisă până când gheața este topită din partea de jos a congelatorului, ștergeți cu un material moale. În cazul în care doriți să grăbiți procesul de decongelare, puteți introduce un recipient cu apă caldă (în jur de 50°C) în compartimentul congelatorului și setați butonul pentru temperatură în poziția originală după decongelare.
- Nu este recomandabil să încălziți compartimentul congelatorului în mod direct cu apă caldă sau cu un uscător de păr în timpul decongelării pentru a preveni deformarea carcsei.
- Nu este recomandabil să îndepărtați gheața sau să separați alimentele din recipiente care au fost congelate împreună cu obiecte ascuțite deoarece puteți avaria carcasa sau suprafața evaporatorului.

#### 4. Schimbarea sensului de deschidere a ușii

Acest frigider a fost prevăzut cu balamale pentru ușă în partea dreaptă. Dacă doriți să modificați direcția de deschidere, respectați instrucțiunile de mai jos:

1. Îndepărtați dispozitivele mici din plastic (7) și șuruburile (6) care fixează suprafața de lucru și dezamblați suprafața de lucru.
2. Îndepărtați cele două șuruburi (1) care susțin balamaua superioară (5) (partea dreaptă) de cadru. Scoateți balamaua superioară (5).
3. Ridicați ușa și așezați-o pe o suprafață moale pentru a împiedica zgârierea.
4. Îndepărtați cele două șuruburi (8) care susțin balamaua inferioară (2). Asigurați-vă de faptul că ați îndepărtat balamaua inferioară (2).
5. Îndepărtați piciorul din față stânga (4) și transferați-l în partea dreaptă.
6. Înainte de a fixa balamaua inferioară (2), îndepărtați bolțul (9) și inversați direcția balamalei inferioare (2). Instalați balamaua inferioară (2) în partea stângă a cadrului inferior cu două șuruburi (8).
7. Introduceți bolțul (9) în balamaua de jos (2).
8. Fixați ușa asigurându-vă de faptul că ușa se sprijină în balamaua de jos (2).
9. Atunci când susțineți ușa în poziția închisă, fixați balamaua superioară (5) în cadrul de sus în partea stângă a celor două șuruburi (1). Nu uitați să strângeți cele două șuruburi (1) până când partea superioară este așezată la nivel cu suprafața de lucru.
10. Instalați suprafața de lucru în partea de sus a carcasei cu ajutorul șuruburilor (6) și acoperiți cu dispozitivele mici din plastic (7).
11. Îndepărtați mânerul (10) din partea stângă pe partea dreaptă.



#### 4. Schimbarea sensului de deschidere a ușii

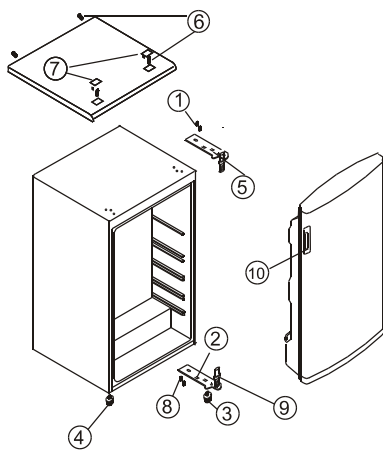


FIGURA 1

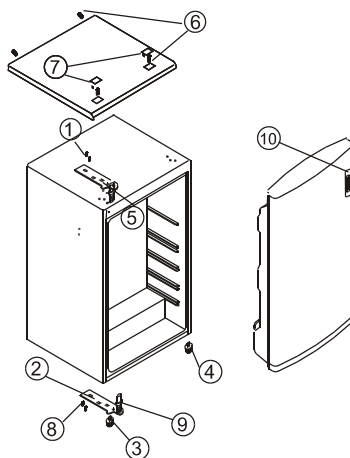


FIGURA 2

FIGURA 1 – REPREZINTĂ POZIȚIA COMPONENTELOR ÎNAINTE DE INVERSAREA SENSULUI DE DESCHIDERE AL UȘII.

FIGURA 2 – REPREZINTĂ POZIȚIA COMPONENTELOR DUPĂ INVERSAREA SENSULUI DE DESCHIDERE AL UȘII.

## 5. Întreținere

**Curățați partea exterioară cu ajutorul unui material moale.**

**Aparatul nu va fi utilizat o perioadă îndelungată de timp**

1. Goliți frigiderul.
2. Deconectați cablul de alimentare din priză.
3. Decongelați și curățați partea interioară.
4. În cazul unei perioade îndelungate de neutilizare, lăsați ușa deschisă pentru a preveni formarea de mucegai, mirosuri neplăcute sau oxidare.
5. Curățați aparatul.

Curățați partea interioară a compartimentului cu temperatura scăzută (dacă există) atunci când decongelați.

Curățați în mod periodic interiorul compartimentului frigiderului cu ajutorul unui burete umezit cu apă caldă și / sau detergent neutru. Clătiți și ștergeți cu ajutorul unui material moale. Nu utilizați produse abrazive. Nu utilizați produse abrazive, produse pentru îndepărtarea petelor, de exemplu acetona, tricloretilenă sau oțet.

**Înlocuirea becului:**

Atunci când înlocuiți becul, scoateți aparatul din priză și procedați în felul următor:

Strângeți dispozitivele din părțile laterale ale capacului becului și îndepărtați-l.

Înlocuiți becul cu unul nou de maxim 10W.

Puneți capacul la loc și așteptați 5 minute înainte de a introduce aparatul înapoi în priză.



## 5. Întreținere

1. Verificați dacă frigiderul funcționează.

Verificați dacă există o întrerupere de alimentare cu energie.

Verificați dacă ștecherul este introdus în priză.

Verificați dacă siguranța este arsă.

2. Atunci când frigiderul răcește în exces.

Butonul pentru controlul temperaturii poate fi setat pe o valoare prea mare.

Dacă introduceți alimente cu un conținut mare de umezeală direct sub orificiile pentru aer rece, acesta vor îngheța ușor. Acest lucru nu reprezintă o defecțiune.

3. Atunci când frigiderul nu răcește suficient.

Alimentele pot fi ambalate prea strâns, blocând aerul rece.

Ați introdus alimente calde în frigider.

Ușa nu s-a închis corespunzător.

Frigiderul nu se aerisește corespunzător.

Nu există un spațiu suficient între frigider și suprafețele laterale sau de deasupra.

Butonul pentru controlul temperaturii se poate întâmpla să nu fie setat corespunzător.

4. Atunci când apa produsă în urma decongelării pătrunde în interiorul frigiderului și curge pe pardoseală.

Verificați dacă conducta de evacuare și furtunul de evacuare nu sunt blocate.

Verificați recipientul de colectare.

5. Atunci când se formează condensare pe partea exterioară a frigiderului.

Se poate forma condensare pe partea exterioară atunci când umiditatea este ridicată în sezonul umed de exemplu. Este același rezultat ca atunci când se formează condensare în urma turnării de apă rece în pahar. Ștergeți cu un material uscat.

6. Atunci când se aude un sunet ca și cum ar curge apă.

Se va auzi un zgomot de apă curgând. Nu indică o defecțiune.

7. Partea laterală a aparatului se încălzește.

Panoul lateral al carcasei se va încălzi atunci când ușa este deschisă sau închisă în mod frecvent, atunci când porniți aparatul și atunci când funcționează pe timpul verii, în medii cu temperatură ridicată. În acest caz, nu atingeți panoul de control. Se va disipa căldura din interiorul aparatului iar acest lucru nu reprezintă o defecțiune.

## 7. Specificații tehnice

\* Pentru specificații tehnice mai detaliate, vezi plăcuța cu date tehnice din partea din spate a frigiderului.

\* Specificațiile pot fi modificate fără o notificare prealabilă.

\* Versiunea în limba engleză este de referință.

*Conform prevederilor legislației privind gestionarea deșeurilor, este interzisă eliminarea deșeurilor de echipamente electrice și electronice (DEEE) alături de deșeurile municipale nesortate. Ele trebuie predate la punctele municipale de colectare, societățile autorizate de colectare/reciclare sau distribuitori (în cazul în care se achiziționează echipamente noi de același tip).*

*Autoritățile locale trebuie să asigure spațiile necesare pentru colectarea selectivă a deșeurilor precum și funcționalitatea acestora. Contactați societatea de salubritate sau compartimentul specializat din cadrul primăriei pentru informații detaliate.*

*Deșeurile de echipamente electrice și electronice pot fi predate și distribuitorilor, la achiziționarea de echipamente noi de același tip (schimb 1 la 1).*

*Predarea, de către utilizatori, a deșeurilor de echipamente electrice și electronice, la punctele de colectare municipale, societățile autorizate de colectare/reciclare sau distribuitori (în cazul în care se achiziționează de echipamente noi de același tip) facilitează refolosirea, reciclarea sau alte forme de valorificare a acestora.*



*Deșeurile de echipamente electrice și electronice pot conține substanțe periculoase care pot avea un impact negativ asupra mediului și sănătății umane în cazul în care DEEE nu sunt colectate selectiv și gestionate conform prevederilor legale.*

*Simbolul alaturat (o pubeză cu roți barată cu două linii în formă de X), aplicat pe un echipament electric sau electronic, semnifică faptul că acesta face obiectul unei colectări separate și nu poate fi eliminat împreună cu deșeurile municipale nesortate.*

Importator: CANDY HOOVER ROMANIA SRL  
Calea Victoriei, 155, bl.D1, sc.7, et.4, sector 1, Bucuresti  
Tel/Fax: 021 318 32 97; 021 318 32 98

## ANTES DE UTILIZAR EL ELECTRODOMÉSTICO

- Su nuevo electrodoméstico ha sido diseñado exclusivamente para uso doméstico.

**Con el fin de garantizar que hace el mejor uso del electrodoméstico, le rogamos que lea atentamente las instrucciones de manejo y utilización que incluyen una descripción del aparato y consejos sobre la forma de guardar y conservar alimentos. Guarde este manual para futuras consultas.**

1. Después de desenvolver el electrodoméstico, compruebe que no presenta daños y que la puerta cierra correctamente. Si observara algún daño en el aparato, deberá comunicarlo al comerciante en el plazo de 24 horas a contar desde la entrega del electrodoméstico.
2. Espere al menos dos horas antes de encender el electrodoméstico para asegurarse de que el circuito refrigerador está totalmente operativo.
3. Haga que un electricista cualificado se encargue de llevar a cabo la instalación y realizar las conexiones eléctricas siguiendo las instrucciones del fabricante y en cumplimiento de las normativas locales en materia de seguridad.
4. Limpie el interior del electrodoméstico antes de utilizarlo.

## ANTES DE UTILIZAR EL ELECTRODOMÉSTICO


### 1. Embalaje

El material de embalaje es un material 100% reciclable y lleva impreso el símbolo de reciclaje. Cumpla con la normativa local en materia de eliminación y desecho de residuos. Guarde los materiales de embalaje (bolsas de plástico, piezas de poliestireno, etc.) fuera del alcance de los niños, ya que constituyen un peligro potencial.

### 2. Puesta fuera de servicio / eliminación de desechos

El electrodoméstico ha sido fabricado utilizando materiales reciclables. Este electrodoméstico cumple las disposiciones de la Directiva europea 2002/96/CE sobre residuos eléctricos y equipos electrónicos (WEEE). Al garantizar una correcta puesta fuera de

servicio de este electrodoméstico, contribuimos a evitar consecuencias potencialmente perjudiciales para el medio ambiente y para la salud de las personas.

El símbolo  en el electrodoméstico o en la documentación adjunta indica que este electrodoméstico no debe tratarse como un residuo doméstico, sino que para deshacerse del mismo deberá llevarlo al centro de recogida de residuos local para que se proceda al reciclaje de las piezas electrónicas y eléctricas. Al poner fuera de servicio este electrodoméstico deberá inutilizarlo cortando el cable de alimentación y retirando las puertas y baldas para que los niños no puedan trepar dentro. Ponga fuera de servicio el electrodoméstico siguiendo las

estipulaciones de la normativa local vigente sobre eliminación de residuos llevándolo a un centro especial para la recogida de residuos; no deje el electrodoméstico abandonado, ni siquiera durante unos días, ya que podría representar un peligro para los niños. Si desea obtener más información sobre el tratamiento, recuperación y reciclado de este electrodoméstico, póngase en contacto con la oficina local, el servicio de recogida de residuos domésticos o con el establecimiento donde lo adquirió.

**Información:**

Este electrodoméstico no contiene CFC (el circuito refrigerador contiene R134a) ni tampoco HFC (el circuito refrigerador contiene R600a). Consulte la placa identificativa que encontrará en el interior del aparato.

Electrodomésticos que contienen isobutano (R600a):

El isobutano es un gas natural que no resulta perjudicial para el medio ambiente pero que es inflamable. Por lo tanto, asegúrese de que las tuberías del

circuito refrigerante no presentan daño alguno.

**Declaración de conformidad**

- Este aparato ha sido diseñado para guardar alimentos y ha sido fabricado en cumplimiento de las disposiciones del Reglamento europeo (CE) nº 1935/2004.

**CE**

- Este producto ha sido diseñado, fabricado y comercializado en cumplimiento con:
  - las disposiciones en materia de seguridad de la Directiva sobre “Baja Tensión” 73/23/CEE;
  - los requisitos de protección de la Directiva 89/336/CEE sobre “Compatibilidad Electromagnética” modificada por la Directiva 93/68/CEE.
- Únicamente se garantiza la seguridad eléctrica del electrodoméstico cuando esté conectado a una toma de tierra certificada y en buen funcionamiento.



## INSTRUCCIONES DE SEGURIDAD IMPORTANTES

Las siguientes advertencias y avisos se facilitan por su seguridad. Asegúrese de entender perfectamente todas ellas antes de proceder a la instalación o utilización de este aparato. Su seguridad es de vital importancia. Si tuviera alguna duda acerca de alguno del significado de las advertencias, póngase en contacto con el Departamento de Atención al Cliente.

### Instalación

- Este es un aparato pesado. Tenga cuidado a la hora de moverlo.
- Resultaría peligroso cambiar las especificaciones de este producto o tratar de modificarlo en modo alguno.
- Asegúrese de que el aparato no está encima del cable de alimentación eléctrica. Si el cable de alimentación estuviera estropeado, deberá cambiarlo por otro cable nuevo especial que podrá conseguir poniéndose en contacto con su Centro de Servicios local.
- Cualquier tarea u operación eléctrica necesaria para la instalación de este aparato deberá ser llevada a cabo por un electricista cualificado o por una persona capacitada.
- Las piezas que tiendan a calentarse no deben estar expuestas. Siempre que sea posible debe situar la parte posterior del aparato cerca de una pared, pero dejando el espacio suficiente para permitir la ventilación, tal como se indica en las instrucciones de instalación del aparato.
- Antes de proceder a la instalación del aparato, espere dos horas antes de encenderlo para dar tiempo a que el refrigerante se distribuya y asiente.

**AVISO: Coloque el aparato en un lugar que permita la ventilación del mismo.**

### Seguridad de los niños

- Este electrodoméstico no ha sido diseñado para ser utilizado por niños ni por personas débiles a menos que estén

bajo la supervisión de un responsable que garantice que utilizan el aparato correctamente.

- Debe controlar que sus hijos no juegan con el aparato.

### Durante el uso

- Este aparato ha sido diseñado exclusivamente para uso doméstico, Más concretamente, únicamente para guardar comestibles.
- Los alimentos congelados no deben volver a congelarse una vez que se han descongelado.
- No coloque bebidas gaseosas o efervescentes en el congelador.
- Los helados pueden provocar “quemaduras por hielo” si se consumen nada más sacarlos del congelador.
- No saque alimentos del congelador si tiene las manos mojadas o húmedas, ya que podría sufrir abrasiones en la piel o quemaduras por hielo.

### Mantenimiento y limpieza

- Desconecte y desenchufe el electrodoméstico antes de llevar a cabo cualquier tarea de mantenimiento o limpieza.
- No utilice instrumentos afilados para raspar la escarcha o el hielo. (Ver las instrucciones para descongelar).

**AVISO: No utilice ningún aparato eléctrico ni ninguna otra fórmula para acelerar el proceso de descongelación del electrodoméstico.**

**No dañe el circuito del refrigerante.**

**No utilice ningún aparato eléctrico en el interior del electrodoméstico salvo cuando el fabricante lo recomiende expresamente.**

## Reparaciones

Las reparaciones del electrodoméstico deberán ser efectuadas únicamente por un técnico autorizado para lo que utilizará, exclusivamente, piezas originales.

- En ningún caso tratará de reparar usted mismo el aparato. Los intentos de reparación a manos de personas no experimentadas podrían dar lugar a lesiones personales o provocar un mal funcionamiento del aparato. Póngase en contacto con su Centro de Servicios local.

### Al finalizar la vida útil del electrodoméstico.

**NOTA: Antes de desechar un enfriador de vino viejo, apáguelo y desenchúfelo de la fuente de alimentación. Corte e inutilice la toma de corriente. Asegúrese de que la puerta no se atasca (lo mejor es quitarla), independientemente de si se puede empujar desde dentro para abrirla.**

**UN ENFRIADOR DE VINO VIEJO PUEDE LLEGAR A CONVERTIRSE EN UN JUGUETE MORTAL PARA LOS NIÑOS.**

**AVISO: Al finalizar la vida útil del electrodoméstico deberá deshacerse del mismo en conformidad con lo estipulado en la directiva WEEE (véase más abajo). Su electrodoméstico contiene refrigerante R600a y gas inflamable en la espuma aislante.**

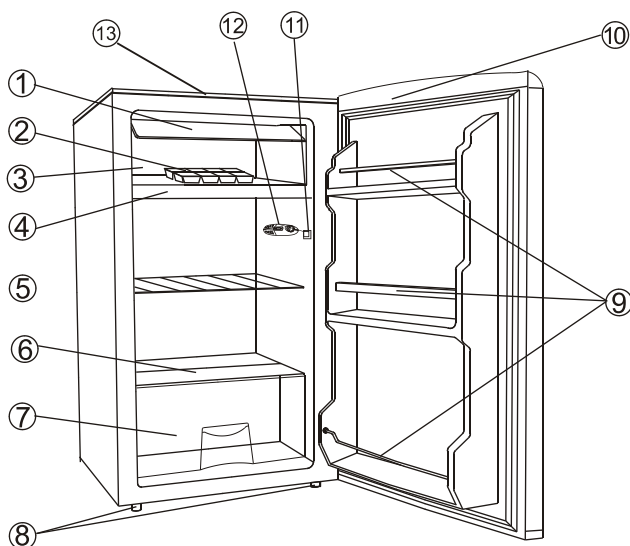
- Antes de desechar el enfriador de vino desconéctelo y desenchúfelo de la toma de corriente. Corte e inutilice la toma de corriente.
- Asegúrese de que la puerta no se puede cerrar por completo, independientemente de si se puede abrir desde el interior (lo mejor es quitar la puerta).



**Lea atentamente este manual de instrucciones antes de utilizar el aparato y guárdelo para futuras consultas**



## PIEZAS Y FUNCIONES

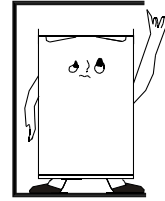


1. Puerta del congelador
2. Bandeja para los cubitos de hielo (opcional)
3. Compartimento del congelador
4. Depósito de deshielo
5. Baldas de la cámara frigorífica
6. Balda de cristal
7. Cajón para fruta y verdura
8. Patas de nivelación
9. Estantes para botellas
10. Tirador encastrado
11. Interruptor de puerta
12. Regulador de temperatura
13. Tapa superior

## 2. Colocación correcta

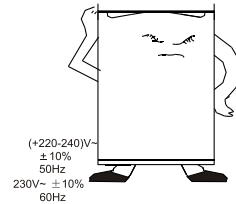
### Buena ventilación

El frigorífico debe contar con una buena ventilación en torno al mismo para facilitar la disipación del calor, un buen rendimiento del frigorífico y un bajo consumo energético. Para ello debe disponer de hueco suficiente alrededor del frigorífico. Su parte trasera debe estar, como mínimo, a 100mm de la pared, sus laterales a un mínimo de 100mm y la parte superior a una distancia mínima de 200mm de ningún obstáculo o pared. Las puertas deben tener espacio suficiente para poder abrirse a 160°.



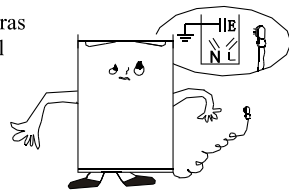
### Suministro eléctrico

El frigorífico solo se puede utilizar con un suministro eléctrico monofásico de corriente alterna de (220 – 240) V ~ / 50Hz; 230V~ / 60Hz. Si la fluctuación de tensión en la zona donde reside el usuario fuera tan grande como para que la tensión superara el rango anterior, deberá utilizar, por motivos de seguridad, un regulador automático de tensión para CA con el frigorífico. El frigorífico debe contar con una toma de corriente especial en lugar de un estándar igual a la del resto de electrodomésticos. Su enchufe debe encajar en la toma de corriente provista de toma de tierra.



### Cable de alimentación

No debe alargarse el cable ni enrollarlo en espiral mientras esté funcionando. Asimismo, está prohibido colocar el cable cerca del compresor de la parte posterior del aparato, ya que esta superficie alcanza temperaturas elevadas mientras está en funcionamiento. Si el cable llegara a entrar en contacto con esta superficie podría desactivar el aislamiento o provocar pérdidas de electricidad.



## 2. Colocación correcta

### Protección contra la humedad

Procure no colocar el frigorífico en lugares de elevada humedad ambiental con el fin de reducir al mínimo la posibilidad de oxidación de las piezas metálicas. Más aún, queda terminantemente prohibido pulverizar agua directamente sobre el electrodoméstico, de lo contrario, ocasionaría daños en el aislamiento y podrían incluso provocar pérdidas de corriente.



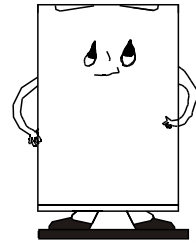
### Protección contra el calor

El frigorífico debe situarse lejos de toda fuente de calor y alejado de la luz directa del sol.



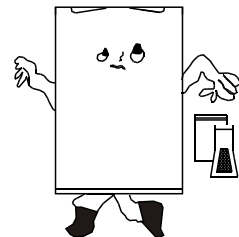
### Ubicación estable

El frigorífico debe colocarse sobre un suelo liso y firme. No debe colocarse sobre materiales blandos como espuma de plástico o similares. Si el frigorífico no estuviera nivelado deberá regular los tornillos para conseguir nivelarlo. No debe situar el frigorífico cerca de un aparato que pueda vibrar.



### Mantenerlo alejado de peligros

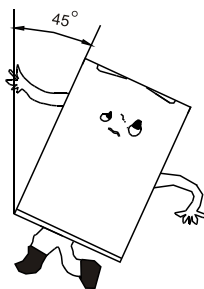
No se recomienda colocar el frigorífico cerca de materiales volátiles o combustibles como por ejemplo gas, gasolina, alcohol, lacas o aceite de plátano, etc. Los elementos anteriormente citados no pueden guardarse en el interior del frigorífico.



## 2. Colocación correcta

### Manipulación

Al colocar o al mover el frigorífico no lo sitúe nunca en posición horizontal ni lo incline más de 45°.



### 3. Precauciones

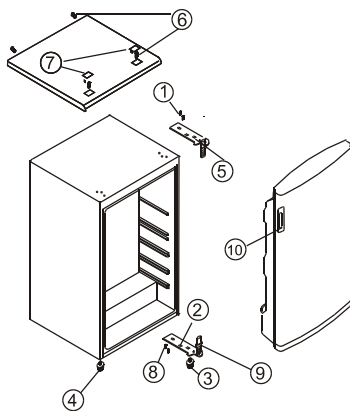
- ❖ El agua que contienen los alimentos o que entra en el frigorífico al abrir y cerrar las puertas podría llegar a formar una capa de escarcha en el interior. Si esta capa de escarcha llegara a tener cierto espesor, influiría negativamente en el rendimiento del frigorífico. Cuando el grosor de la escarcha alcance los 2mm deberá descongelar el frigorífico.
- ❖ La descongelación del congelador se realiza manualmente. Antes de proceder a descongelarlo, saque los alimentos, la bandeja de los hielos y la balda, y déjelos temporalmente en la cámara frigorífica. Gire el regulador de temperatura para colocarlo en la posición “0” (el compresor dejará de funcionar) y deje la puerta abierta hasta que el hielo y la escarcha se disuelvan por completo y se depositen en el fondo del congelador. A continuación, seque el agua con una bayeta. Para acelerar el proceso de descongelación puede meter un recipiente con agua caliente (a unos 50° C) en el congelador y asegurarse de que el regulador de temperatura está en la posición original después de descongelarse.
- ❖ No se recomienda calentar el congelador directamente con agua caliente o con un secador de pelo mientras se está descongelando para evitar que se produzcan deformaciones en la caja interior.
- ❖ Tampoco se recomienda rascar el hielo o la escarcha ni despegar los alimentos de los recipientes donde se han solidificado con ayuda de herramientas afiladas o de madera para no causar daños en el revestimiento interior ni en la superficie del evaporador.
- ❖ Si el cable de alimentación estuviera estropeado solamente podrá ser sustituido en una tienda de reparaciones certificada por el fabricante, ya que es necesario utilizar herramientas especiales.

## 4. Cambiar la puerta reversible

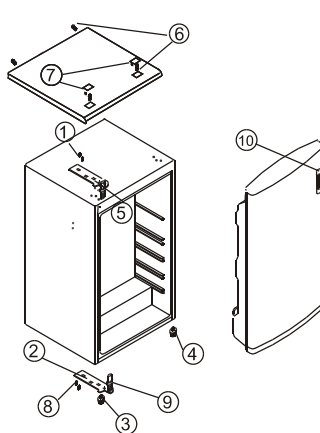
Este frigorífico ha sido fabricado con las bisagras situadas en el lado derecho. Si quisiera cambiar el sentido de apertura de la puerta, siga las instrucciones que constan a continuación:

1. Retire la tapita de plástico (7) y los tornillos (6) que sujetan la pieza superior del frigorífico para desmontarla.
2. Quite los dos tornillos (1) que sujetan la bisagra de arriba (5) (lado derecho) al bastidor del aparato. Extraiga la bisagra superior (5).
3. Tire de la puerta hacia arriba para sacarla y apóyela en una superficie acolchada para evitar que se raye.
4. Quite los dos tornillos (8) mientras sujeta la bisagra inferior (2) No se olvide de extraer la bisagra inferior (2).
5. Quite la pata delantera izquierda (4) y cámbiela al lado derecho.
6. Antes de colocar la bisagra inferior (2) quite el pasador (9) y cambie el sentido de la bisagra inferior (2). A continuación, instale la bisagra inferior (2) en el lado izquierdo de la parte inferior del bastidor y sujétela con dos tornillos (8).
7. Introduzca el pasador (9) en la bisagra inferior (2).
8. Coloque la puerta en su sitio asegurándose de que encaja en la bisagra inferior (2)
9. Mientras sujeta la puerta en la posición de cerrado, instale la bisagra superior (5) en la parte superior izquierda del bastidor con ayuda de dos tornillos (1). No se olvide de que no debe apretar los dos tornillos (1) hasta que la parte superior de la puerta esté nivelada con la parte superior del bastidor del frigorífico.
10. Vuelva a colocar la pieza superior del electrodoméstico sujetándola con tornillos (5) y la tapita de plástico (7).
11. Cambie el asa de la puerta (10) del lado derecho al izquierdo.

## 4. Cambiar la puerta reversible



**FIGURA 1**



**FIGURA 2**

**FIGURA 1 – REPRESENTA LA POSICIÓN DE LOS COMPONENTES ANTES DE CAMBIAR LA PUERTA DE POSICIÓN**

**FIGURA 2 – REPRESENTA LA POSICIÓN DE LOS COMPONENTES DESPUÉS DE CAMBIAR LA PUERTA DE POSICIÓN**

**Limpie la `parte exterior del aparato utilizando una bayeta.**

### **Periodos prolongados sin utilizar**

1. Vacíe el frigorífico.
2. Desconecte el aparato de la alimentación de corriente.
3. Descongele el aparato y limpie su interior
4. En caso de que se disponga a no utilizar el frigorífico durante un periodo prolongado, deje la puerta abierta para evitar que se formen moho o malos olores o se oxide.

### 5. Limpie el electrodoméstico

· Limpie el interior del compartimento de baja temperatura (cuando lo haya) tras descongelarlo.

· Limpie regularmente el interior del compartimento del frigorífico con una esponja humedecida en agua caliente o con un detergente neutro. Aclárelo y séquelo con una bayeta.

No utilice productos abrasivos como por ejemplo limpiadores en polvo, quitamanchas como acetona, tricloroetileno o vinagre.

### **Cambiar las bombillas:**

Para cambiar una bombilla, desenchufe el aparato de la toma de corriente y siga estos pasos:

Presione en las pestañas situadas en los laterales de la carcasa de la bombilla y quítela. Cambie la bombilla por otra nueva de máximo 10 vatios.

Vuelva a colocar la carcasa de la bombilla en su sitio y espere 5 minutos antes de conectar el electrodoméstico de nuevo a la toma de corriente.





## 6. Resolución de problemas

### 1. Cuando el frigorífico no funciona:

Compruebe si hay un fallo en la alimentación eléctrica.

Compruebe que el enchufe está conectado al aparato y a la toma de corriente.

Compruebe el fusible por si estuviera fundido.

### 2. Cuando el frigorífico enfría demasiado:

Puede que el regulador de temperatura esté colocado en una temperatura demasiado alta.

Si coloca alimentos con un alto grado de humedad justo debajo de las salidas de aire refrigerante es muy fácil que se congelen. Esto no indica que el electrodoméstico no funcione correctamente.

### 3. Cuando el frigorífico no enfría lo suficiente:

Puede que los alimentos estén guardados demasiado juntos impidiendo circular el aire frío.

Puede que haya metido algún alimento caliente o demasiados alimentos en el frigorífico.

Puede que la puerta esté mal cerrada.

Puede que las juntas de la puerta estén en mal estado.

Puede que el frigorífico no cuente con la ventilación adecuada

Puede que no haya suficiente espacio entre el frigorífico y las superficies colindantes por los laterales y por la parte superior.

Puede que el regulador de temperatura esté en una posición inadecuada.

### 4. Cuando el agua del deshielo se desborda por el interior del frigorífico y por el suelo:

Compruebe que la tubería y el manguito de desagüe no están atascados

Compruebe que la bandeja de drenaje está bien colocada.

### 5. Cuando se forma condensación en el exterior del frigorífico:

Se puede formar condensación en el exterior del frigorífico cuando existe un alto grado de humedad ambiental, como por ejemplo durante la temporada de lluvias.

Esta condensación es la misma que se forma cuando se vierte agua muy fría en un vaso. Por consiguiente, no significa que exista un mal funcionamiento del aparato, séquelo con una bayeta.

### 6. Cuando oiga un sonido parecido al de agua corriendo:

Un sonido como el de agua corriendo se debe al fluir del refrigerante y no indica un mal funcionamiento del electrodoméstico.

### 7. Cuando los paneles laterales del electrodoméstico se calientan:

Los paneles laterales del electrodoméstico se calentarán cuando abra y cierre la puerta muchas veces, cuando ponga en marcha el aparato y cuando el electrodoméstico funcione en temporada estival con elevadas temperaturas en el exterior. En estos casos, no toque los paneles laterales, el calor que presentan se debe a la disipación del calor procedente del interior del aparato y no implica que le pase nada al frigorífico.

## 7. Especificaciones técnicas

\* Si desea obtener las especificaciones técnicas pormenorizadas, le rogamos que se remita a la placa identificativa que encontrará en la parte posterior del electrodoméstico.

\* Las especificaciones están sujetas a sufrir modificaciones sin necesidad de previo aviso.

## INNAN KYLSKÅPET ANVÄNDS

- Detta kylskåp har projekterats för att endast användas i hushåll.

**För att använda kylskåpet på ett optimalt sätt skall man alltid noga läsa instruktionerna för användning som beskriver kylskåpets egenskaper och som ger instruktioner om förvaring och kylning av livsmedlen.**

**Förvara denna instruktionshandbok på en säker plats för att kunna konsultera den vid behov.**

1. Efter att man avlägsnat kylskåpets emballage skall man kontrollera att det inte är skadat och att luckan stängs på rätt sätt. Informera återförsäljaren om eventuella synliga skador inom 24 timmar efter mottagandet.
2. Vänta i minst två timmar innan kylskåpet sätts på, detta för att vara säker på att kylkretsen fungerar korrekt.
3. Kontrollera att installationen av kylskåpet och dess elektriska anslutning alltid utförs av en kvalificerad tekniker, och i enlighet med instruktionerna från tillverkaren och i enlighet med gällande lokala säkerhetsnormer.
4. Rengör insidan på kylskåpet innan det tas i bruk.

## INNAN KYLSKÅPET ANVÄNDS

### 1. Emballage

Emballagematerialet kan återvinnas helt och hållet, i enlighet med vad symbolen på själva materialet anger. Avyttra detta material i enlighet med gällande lokala normer. Förvara alltid emballagematerialet (plastpåsar, delar i polypropylen, etc.) utom räckhåll för barn, eftersom dessa kan medföra risker för dem.

### 2. Skrotning och avyttring

Kylskåpet har tillverkats med återanvändbart material.

På kylskåpet finns symbolen för förenlighet med EU-direktivet 2002/96/EG gällande avyttring av begagnade elektriska och elektroniska apparater (WEEE).

En korrekt avyttring av kylskåpet är grundläggande för att begränsa skador på miljön och människors hälsa till ett minimum.

Symbolen på kylskåpet eller den eventuella medföljande dokumentationen indikerar

att den inte skall avyttras som vanligt hushållsavfall utan skall lämnas in på ett uppsamlingscentrum för avyttring av använda elektriska och elektroniska apparater. Då kylskåpet ska skrotas skall det göras oanvändbart, detta görs genom att man skär av strömkabeln och tar bort dörrar/hyllor så att barn inte kan klättra på det.

Avyttra kylskåpet i enlighet med lokala normer för avyttring av avfall genom att lämna in det på en auktoriserad uppsamlingscentral. Lämna inte kylskåpet obevakat, inte ens för bara ett par dagar, eftersom det utgör en potentiell risk för barn. För ytterligare detaljer gällande hantering, uppsamling och återvinning av kylskåpet kontakta kontoret i ditt område, det företag som är ansvarigt för uppsamling av vanligt avfall eller återförsäljaren av produkten.

### Information

Detta kylskåp innehåller inte CFC (eftersom kylkretsen innehåller R134a) eller HFC (eftersom kylkretsen innehåller R600a) . För ytterligare information se skylten som sitter på kylskåpet).

Kylskåp som använder isobutan (R600a): isobutan är en naturgas som har en låg inverkan på miljön, men den är brandfarlig. Det är därför nödvändigt att vara försiktig så att kretsens rör inte skadas.

### Konformitetsdeklaration

- Detta kylskåp har projekterats för att användas för förvaring av livsmedel och har tillverkats i enlighet med det europeiska regelverket nr. 1935/2004. Kylskåpet har projekterats, tillverkats och sålts i enlighet med:
- Säkerhetskraven i EU-direktivet om lågspanningsapparater (73/23/EEG).
- Säkerhetskraven i EU-direktivet om elektromagnetisk kompatibilitet 89/336/EEG, senare ändrat med direktiv 93/68/EEG.
- Kylskåpets elektriska säkerhet garanteras endast om den ansluts till ett fungerande och godkänt elektriskt system, utrustat med jordanslutning.



# VIKTIGA INSTRUKTIONER FÖR SÄKERHETEN

Följande säkerhetsföreskrifter ges till ytterligare skydd för användaren. Innan detta kylskåp installeras eller används skall man noga ha läst igenom och förstått alla dessa säkerhetsföreskrifter. Säkerheten är mycket viktig. Vid eventuell tveksamhet om innehållet i dessa säkerhetsföreskrifter kontakta vår Kundtjänst för ytterligare upplysningar.

## Installation

Kylskåpet är tungt och skall därför flyttas med försiktighet.

Ändra inte de tekniska egenskaperna eller produkten på något sätt, eftersom icke auktoriserade ändringar kan orsaka problem.

Kontrollera att elsladden inte befinner sig under kylskåpet. Om elsladden är trasig eller skadad kontakta den lokala kundtjänsten om en ny.

Alla ingrepp på det elektriska systemet som behövs för att installera kylskåpet skall göras av en kvalificerad elektriker eller av en sakkunnig person.

Låt inte de delar som har en tendens att överhettas vara oskyddade.

Placera, om möjligt, kylskåpets baksida mot väggen, på det säkerhetsavstånd som indikeras i instruktionerna för montering, detta för att garantera en optimal ventilation.

Efter avslutad installation skall man alltid vänta 2 timmar innan man slår på kylskåpet för att ge kylsystemet möjligheten att stabilisera sig.

**VIKTIGT!** Installera alltid kylskåpet på en väl ventilerad plats.

## Speciella försiktighetsåtgärder för barns säkerhet

Detta kylskåp får endast användas av barn under en vuxen och ansvarig persons övervakning som kontrollerar att kylskåpet används under säkra förhållanden.

Kontrollera alltid att mycket små barn inte leker med kylskåpet.

## Försiktighetsåtgärder under användning

Detta kylskåp har projekterats för att endast användas i hushåll och till förvaring av livsmedel.

Frys inte tinade livsmedel på nytt.

Placera inte kolsyrade drycker i frysen.

Ät inte frysta livsmedel omedelbart (till exempel isglass) som tagits ur frysen, detta för att undvika kongestion.

Ta inte ut livsmedel ur frysen med fuktiga/våta händer, detta för att undvika kylskador.

## Rengöring och underhåll

Stäng alltid av kylskåpet eller koppla ur det från strömförsörjningen innan rengöring och underhåll görs.

Använd inte spetsiga verktyg för att avlägsna is och frost. För ytterligare information se instruktionerna för avfrostning.

**VIKTIGT!** Använd inte mekaniska anordningar eller andra apparater för att påskynda avfrostningen.

Skada inte kylkretsen.

Använd endast de elektriska apparater inuti kylskåpet som rekommenderats av tillverkaren.

## Reparationer

Kontrollera att kylskåpet endast repareras av kvalificerad tekniker och att endast originalreservdelar används.

Försök aldrig att direkt reparera kylskåpet. Icke auktoriserade reparationer kan orsaka allvarliga skador. Kontakta alltid den lokala kundtjänsten för reparationer.

## Efter avslutad användning

**OBS:** innan ett kylskåp avyttras skall det stängas av och kopplas ur från strömförsörjningen. Klipp av eller se på annat sätt till att proppen inte kan användas.

Kontrollera att dörren inte kan blockeras (eller ta bort den), oberoende av att den kan öppnas på en sida.

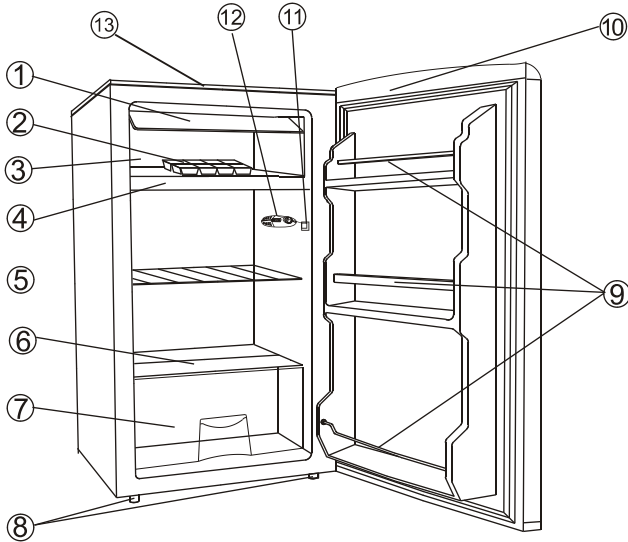
**KYLSKÅP UTGÖR EN FARA FÖR BARN!**

**VIKTIGT!** Efter avslutad användning skall man avyttra kylskåpet i enlighet med vad som anges i W.E.E.E-direktivet (se nästa sektion). Kylskåpet innehåller kylmedel R600a som är en brandfarlig gas, som används i skumform till isolering.

Innan ett kylskåp avyttras skall det stängas av och kopplas ur från strömförsörjningen. Klipp av eller se på annat sätt till att proppen inte kan användas. Kontrollera att dörren inte kan stängas helt, även i de fall då den kan öppnas inifrån. Det är vanligtvis bäst att ta bort dörren.

Läs noga igenom de instruktioner som ges i detta dokument och förvara den på en säker plats för framtida bruk.

## DELAR OCH FUNKTIONER

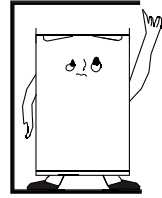


1. Dörr till frysen
2. Isbricka (tillval)
3. Frys
4. Droppuppsamlingsbricka
5. Hylla i kylskåpet
6. Glastäckning
7. Låda till grönsaker
8. Inställningsfötter
9. Flaskhylla
10. Inbyggt handtag
11. Strömbrytare i dörr
12. Knapp för inställning av temperatur
13. Övre täckning

## 2. Rätt uppställning

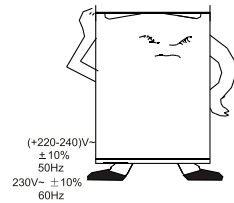
### Lämplig ventilation

En god ventilation på alla kylskåpets sidor är nödvändig för att garantera en korrekt avledning av värmen, en optimal funktion av kylskåpet och minskad elektrisk förbrukning. Av denna orsak skall man alltid lämna ett tillräckligt stort utrymme runt kylskåpets alla fyra sidor. Kylskåpets baksida skall placeras på minst 100 mm från väggen, sidorna på minst 100 mm och för den övre delen måste man bibehålla ett säkerhetsavstånd på minst 200 mm. Kom även i håg att dörren måste kunna öppnas i 160°.



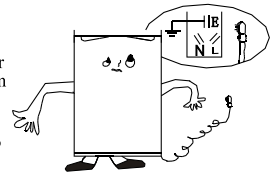
### Strömförsörjning

Kylskåpet kan endast strömförsörjas med enfas växelström på (220-240)V~/50Hz;230V~/60Hz. Om det på området ofta förekommer spänningssvängningar eller om spänningen överskrider de indikerade värdena, bör man installera en automatisk anordning för reglering av spänningen (växelström) för att skydda själva kylskåpet. Anslut kylskåpet till ett elektriskt separat uttag som inte används till andra elektriska apparater. Kontrollera att elproppens egenskaper motsvarar de i väggtuttaget med jordanslutning.



### Elektrisk sladd

Vik inte den elektriska sladden och anslut den inte till förlängningsladdar då kylskåpet är i funktion. Se dessutom noga till att den elektriska sladden placeras i närheten av kompressorn på kylskåpets baksida, eftersom denna komponents yta kan uppnå mycket höga temperaturer under användningen. En eventuell kontakt med denna komponent kan förstöra isoleringen eller orsaka läckström.



### Skydd mot fukt

Installera inte kylskåpet på mycket fuktiga platser, detta även för att undvika att kylskåpets metalldelar skall rosta. Spruta inte heller vatten direkt på kylskåpet, detta för att undvika att isoleringen förstörs och läckström uppstår.



## 2. Rätt uppställning

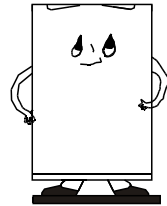
### Skydd mot värme

Installera inte kylskåpet i närheten av värmekällor eller i direkt solljus.



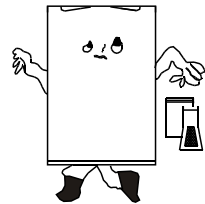
### Stabilitet

Installera alltid kylskåpet på en motståndskraftig och stabil yta. Placera inte kylskåpet på mjuka material som skum, plast eller annat material av denna typ. Om kylskåpet inte är uppriktad reglera med skruvarna. Placera inte kylskåpet i närheten av föremål som skapar eko.



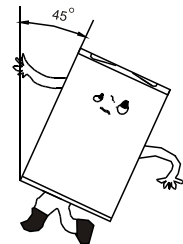
### Riskkällor

Installera inte kylskåpet i närheten av flyktiga eller brännbara material som gas, råolja, sprit, spray, vegetabilisk olja, etc. Använd aldrig kylskåpet för att bevara dessa typer av material.



### Förflyttning

Under installation eller förflyttning av kylskåpet skall det aldrig placeras horisontalt, lutas i 45 grader eller vändas upp och ned.



### 3. Indikation om fara

Vattnet som finns i vissa livsmedel eller i luften och som tränger in i kylskåpet när dörren öppnas kan skapa en hinna med frost inuti detta. Ett tjockt frostsikt kan mycket ofta minska kylskåpets effektivitet. Om frostsiktet överskrider 2 mm bör man frosta av kylskåpet.

Avfrostningen av frysen skall göras manuellt. Innan detta görs skall man tömma den på livsmedel, isbrickan och hyllorna, och tillfälligt placera dem i kylskåpet. Ställ alltså in knappen för reglering av temperatur på position "0" (för att stänga av kompressorn) och lämna dörren öppen tills isen smälter helt och hamnar på botten av frysen. Det är nu möjligt att torka upp vattnet med en mjuk trasa. För att göra denna operation snabbare är det möjligt att placera en behållare med varmt vatten (med en temperatur på cirka 50°C) i frysen. Kom ihåg att ställa tillbaka knappen för reglering av temperatur i den position den tidigare befann sig i efter avslutad avfrostning.

Försök inte att direkt värma upp frysen med varmt vatten eller med en hårtork för att göra avfrostningen snabbare, eftersom detta kan leda till att det inre höljet deformeras.

Vanligtvis rekommenderas det inte att man försöker skrapa bort isen eller frosten eller försöka lossa livsmedel från behållare med hjälp av ett spetsigt verktyg eller träpinnar eftersom dessa operationer kan skada det inre höljet eller evaporatorns yta.

Om den elektriska sladden är skadad skall den endast bytas ut av ett av tillverkaren auktoriserat assistanscentrum. Byte av den elektriska sladden kräver användning av speciella verktyg.

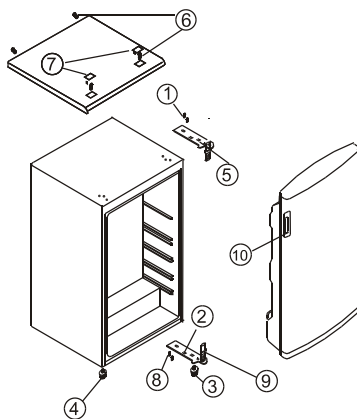


## 4. Att flytta dörren till den andra sidan

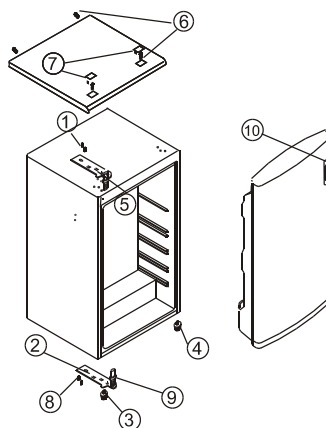
Detta kylskåp är utrustat med gångjärn till dörren placerade på höger sida. För att ändra riktning på dörrens öppning räcker det att utföra följande operationer:

1. Ta bort den lilla plastkåpan (7) och skruvarna (6) som håller fast arbetsytan på plats för att kunna montera ned den.
2. Ta bort de två skruvarna (1) som håller fast det övre gångjärnet (5) på plats (på höger sida) på strukturen. Ta bort det övre gångjärnet (5).
3. Lyft av dörren och placera den på en mjuk yta så att den inte repas.
4. Ta bort de två skruvarna (8) som håller fast det nedre gångjärnet (2) på plats och ta bort det.
5. Ta bort den vänstra främre foten (4) och montera på den på höger sida.
6. Innan man monterar på det nedre gångjärnet (2), skall man ta bort fäststiftet (9) och invertera riktningen för det nedre gångjärnet (2). Montera därefter på det nedre gångjärnet (2) på vänster sida på den nedre strukturen och blockera den på plats med hjälp av två skruvar (8).
7. Sätt i fäststiftet (9) i det nedre gångjärnet (2).
8. Placera dörren i position och kontrollera att den är isatt i det nedre gångjärnet (2).
9. Håll dörren stängd, sätt fast det övre gångjärnet (5) på vänster sida på den övre strukturen och blockera den på plats med hjälp av två skruvar (1). Se till att de två skruvarna (1) skruvas fast ordentligt först efter att dörren har upplinjerats med motplattan.
10. Montera på arbetsytan på den övre sektionen och sätt fast den i position med hjälp av skruvarna (6), täck den sedan med den lilla plastkåpan (7).
11. Skruva loss handtaget från dörrens vänstra sida (10) och montera på det på den högra sidan.

## 4. Att flytta dörren till den andra sidan



Figur 1



FIGUR "2"

FIGUR 1 – DELARNAS POSITION INNAN DÖRRENS ÖPPNING ÄNDRAS.

FIGUR 2 – DELARNAS POSITION EFTER ATT DÖRRENS ÖPPNING ÄNDRATS.

### Rengör de yttre ytorna med en mjuk trasa.

#### Om kylskåpet inte skall användas under en längre period.

1. Töm kylskåpet.
2. Koppla ur kylskåpet från det elektriska nätet.
3. Frosta av och rengör insidan på kylskåpet.
4. Om kylskåpet inte skall användas under en längre period skall man lämna dörren öppen för att undvika att mögel, dålig lukt och oxidering uppstår.
5. Att rengöra kylskåpet.
  - Rengör insidan på en låg temperatur (om befintlig).
  - Rengör regelbundet insidan av kylskåpet med en svamp som blöts i varmt vatten och/eller ett neutralt rengöringsmedel. Skölj och torka torrt med en mjuk trasa.Använd inte repande produkter eller produkter som innehåller blekmedel, fläckborttagningsmedel (som aceton eller trikloretylen) eller vinäger.

#### Att byta lampa

Innan man byter lampa skall man koppla ur kylskåpet från det elektriska nätet. Utför sedan nedan beskrivna operationer.

Tryck på flikarna på lampans skydd och ta bort det.

Byt ut lampan mot en ny med maximal effekt 10 W.

Sätt tillbaka lampans skydd och vänta i 5 minuter innan du kopplar kylskåpet till det elektriska nätet igen.



## 6. Åtgärdande av problem

1. Om kylskåpet inte fungerar:

Kontrollera att strömförsörjningen inte är avbruten.

Kontrollera att elkontakten sitter i vägguttaget.

Kontrollera att säkringen inte är utbränd.

2. Om kyltemperaturen är alltför hög:

Kontrollera att knappen för reglering av temperaturen står på rätt värde.

Om livsmedel som innehåller mycket kondens placeras direkt under luftintagen är det möjligt att dessa fryses snabbt. Detta förhållande betyder inte att ett fel uppstått.

3. Om kyltemperaturen är alltför låg:

Livsmedlen är placerade alltför nära varandra och täpper till luftströmmen.

Alltför varm mat eller alltför mycket mat har lagts i kylskåpet.

Dörren har inte stängts på rätt sätt.

Tätninglisterna på dörren är skadade.

Ventilationen är otillräcklig.

Kylskåpet har installerats alltför nära väggen eller andra föremål

(ovanför eller på sidorna).

Inställningsknappen för temperaturen har inte ställts in på rätt sätt.

4. Om det vatten som uppstår under avfrostningen rinner ner i kylskåpet eller på golvet:

Kontrollera att slangen och avrinningsöppningen inte är skadade.

Kontrollera att vattenuppsamlingsbehållaren har placerats på rätt sätt.

5. Om kondens bildas på kylskåpets utsidor:

Kondens kan ibland bildas på kylskåpets utsidor om fuktnivån är mycket hög eller om miljön är mycket fuktig. Denna kondens liknar den som formas när man håller kallt vatten i ett glas och indikerar inte att fel uppstått med kylskåpet. Ta bort kondensen med en torr trasa.

6. Om man hör ett ljud som påminner om rinnande vatten:

Detta ljud kommer vanligtvis från kylmedlet som flyter och indikerar inte att ett fel har uppstått.

7. Om sidopanelen värms upp:

Sidopanelen värms upp när man ofta öppnar och stänger dörren, när man slår på kylskåpet eller om temperaturen i den yttre miljön är mycket hög. I detta fall bör man inte vidröra panelen. Överhettningen av panelen beror på avledning av värmen inuti kylskåpet och indikerar inte att ett fel har uppstått.

## 7. Tekniska detaljer

\*För detaljerad information vad det gäller de tekniska detaljerna se märkplåten som sitter på kylskåpets baksida.

\*Detaljerna kan ändras när som helst utan att meddelandeplikt föreligger.

## FØR KJØLESKAPET TAS I BRUK

- Denne kjøleskapet er prosjektert for å brukes bare til hjemmebruk.

**For å bruke kjøleskapet på optimalt vis, les alltid nøye bruksanvisningene som beskriver dets egenskaper og gir anvisninger om oppbevaring og kjøling av matvarene.**

**Oppbevare alltid denne bruksanvisningen på en sikker plass slik at den kan brukes ved behov.**

1. Etter at kjøleskapet er fjernet fra emballasjen, kontrollere at den ikke er skadet og at døren lukkes korrekt. Meld fra om eventuelle synlige skader til forhandleren innen 24 timer fra mottak.
2. Vent i minst to timer før kjøleskapet slås på, for å være sikker på at kjølekretsen fungerer som den skal.
3. Se til at installasjonen av kjøleskapet og de elektriske koblingene alltid utføres av en fagkyndig tekniker, i samsvar med produsentens anvisninger og i henhold til lokale sikkerhetsforskrifter.
4. Rengjøre kjøleskapet innvendig før det tas i bruk.

## FØR KJØLESKAPET TAS I BRUK

### 1. Emballasje

Emballasjematerialet er fullstendig gjenvinnbart, som symbolet på selve materialet angir. Avfallsbehandle dette materialet i samsvar med lokale forskrifter. Oppbevare alltid emballasjematerialet (plastikkposer, deler i polypropylen, osv.) utenfor barns rekkevidde, da de kan utgjøre en fare.

### 2. Kassering og avfallsbehandling

Kjøleskapet er laget av resirkulerbart materiale.

På kjøleskapet finnes symbolet for samsvar med Europa-direktivet 2002/96/EØS gjeldende kassering av brukte elektriske og elektroniske apparater (WEEE).

En korrekt avfallsbehandling av kjøleskapet er grunnleggende for å begrense miljø- og personers helseskader til et minimum.

Symbolet på kjøleskapet eller i den eventuelle medfølgende dokumentasjonen angir at den ikke skal kasseres som vanlig husholdningsavfall, men at den derimot skal leveres inn til et avfallsverk for kassering av brukte elektriske og elektroniske apparater.

Idet den kasseres er det nødvendig å sørge for å gjøre kjøleskapet ubrukelig, ved å kutte over strømkabelen og å fjerne dørene/hyllene slik at barn ikke kan klatre opp på den.

Kassere kjøleskapet i samsvar med gjeldende forskrifter for avfallsbehandling, ved å levere den inn til et godkjent avfallsverk. La ikke kjøleskapet stå uten tilsyn, selv ikke for få dager, fordi den utgjør en mulig farekilde for barn. For ytterligere opplysninger om behandling, gjenvinning og resirkulasjon av kjøleskapet, henvend deg til det lokale ansvarlige kontoret, til renholdsverket som er ansvarlig for søppeltømming eller til forhandleren du kjøpte den av.

### Opplysninger

Dette kjøleskapet inneholder ikke CFC (fordi kjølekretsen inneholder R134a) eller HFC (fordi kjølekretsen inneholder R600a) . For ytterligere opplysninger, se merkeskiltet på kjøleskapet).

Enheter som bruker isobutan (R600a): Isobutan er en naturgass med lav miljøinnvirkning, men den er antennelig. Det er derfor nødvendig å utvise oppmerksomhet og ikke skade kretsens rør og ledninger.

### Samsvarserklæring

- Dette kjøleskapet er prosjektert for å brukes til å oppbevare matvarer og er fremstilt i samsvar med det europeiske reglementet nr. 1935/2004. Kjøleskapet er prosjektert og produsert, og selges i overensstemmelse med:

- Sikkerhetskravene i Det europeiske direktivet gjeldende lavspenningsapparater (73/23/EØS).

- Sikkerhetskravene i Det europeiske direktivet gjeldende elektromagnetisk kompatibilitet 89/336/EØS, senere endret gjennom Direktivet 93/68/EØS.

- Kjøleskapets elektriske sikkerhet garanteres bare hvis den tilkobles et fungerende og godkjent el-anlegg, som er utstyrt med passende jording.

## VIKTIGE SIKKERHETSANVISNINGER

Følgende advarsler leveres for å beskytte brukeren ytterligere. Se alltid til å ha lest og forstått alle advarene for dette kjøleskapet installeres eller tas i bruk. Sikkerheten er veldig viktig. I tilfelle tvil om innholdet som angis i advarene, er det mulig å henvende seg til Kundetjenesten for ytterligere assistanse.

### Installering

Kjøleskapet er tung og må derfor bevegges forsiktig.

Ikke endre de tekniske egenskapene eller produktet på noe vis, da ikke godkjente endringer kan medføre problemer.

Kontrollere at den strømførende kabelen ikke befinner seg under kjøleskapet. Hvis den strømførende kabelen skulle være ødelagt, be om en reservenkabel hos det lokale assistansesenteret.

Alle inngrepene på el-anlegget som er nødvendige for å installere kjøleskapet skal utføres av en fagelektriker eller en kyndig person.

Ikke la delene som har en tendens til å overopphetes, være utdekket.

Om mulig, plassere kjøleskapets bakre del mot en vegg, med den avstanden som angis i monteringsanvisningene, slik at en optimal ventilasjon oppnås. Etter endt installasjon, vent alltid 2 timer før kjøleskapet slås på, slik at kjølevæsken kan stabiliseres.

**ADVARSEL!** Installer alltid kjøleskapet på en plass med tilstrekkelig ventilasjon.

### Spesifikke forholdsregler for barns sikkerhet

Dette kjøleskapet kan brukes av barn og uføre bare under oppsyn av en ansvarlig voksen, som kontrollerer at det brukes under sikkerhetsforhold.

Kontrollere alltid at veldig små barn ikke leker med kjøleskapet.

### Forholdsregler som må følges ved bruk

Dette kjøleskapet er utelukkende prosjektert for hjemmebruk og spesielt for oppbevaring av matvarer.

Ikke frys ned matvarer som har vært tint.

Ikke legg drikkevarer med kullsyre (brus) i fryseren.

Ikke spis maten (for eksempel saftis) med en gang de tas ut av fryseren, for å unngå mageknip.

Ikke fjern matvarene fra fryseren med fuktige/våte hender for å unngå skrapår eller kuldeskader.

### Rengjøring og vedlikehold

Slå alltid av kjøleskapet eller koble den fra el-tilførselen før rengjørings- eller vedlikeholdsinngrep utføres.

Ikke bruk skarpe gjenstander for å fjerne rim eller is. For ytterligere opplysninger, se anvisninger for avriming.

**ADVARSEL!** Ikke bruk mekaniske innretninger eller andre apparater for å sette fart på opptiningen.

Ikke skade kjølekreften.

Bruk bare de elektriske apparatene som anbefales av produsenten inne i kjøleskapet.

### Reparasjoner

Kontrollere at kjøleskapet repareres bare av en kyndig tekniker og at vedkommende bruker originale reservedeler.

Prøv aldri å reparere kjøleskapet selv. Ikke godkjente reparasjoner kan medføre alvorlige skader eller ubehag. Ta alltid kontakt med det lokale assistansesenteret for reparasjoner.

### Etter endt nyttig levetid

**MERKNAD:** Før et vinkjøleskap kasseres, slå den av og koble den fra el-nettet. Kutt støpselet eller gjør det ubrukelig. Se til at døren ikke kan forrigles (eller fjern den), uavhengig av at den kan åpnes på en side.

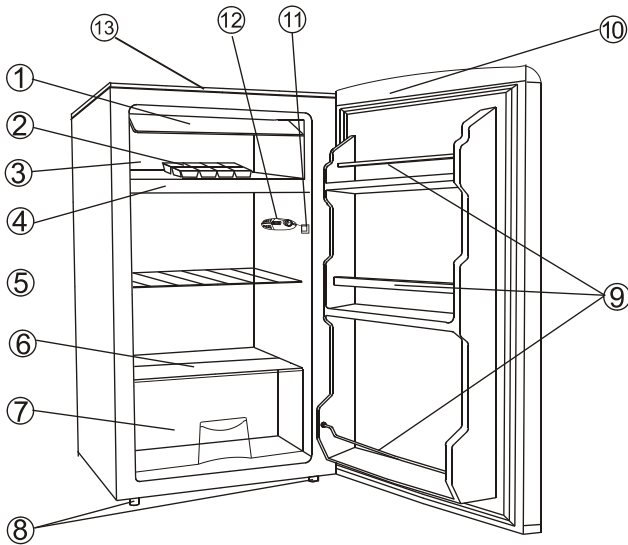
**VINKJØLESKAP UTGJØR EN FARE FOR BARN!**

**ADVARSEL!** Etter endt nyttig levetid, avfallsbehandle kjøleskapet i samsvar med det som angis i Direktivet W.E.E.E (se neste avsnitt). Kjøleskapet inneholder både kjølevæske R600a og en antennelett gass, som brukes for isoleringsbekledning i skumform.

Før vinkjøleskapet kasseres, slå den av og koble den fra el-nettet. Kutt støpselet eller gjør det ubrukelig. Se til at døren ikke kan lukkes fullstendig, også i de tilfeller der den kan åpnes fra innsiden. Normalt er det best å fjerne døren.

Les nøye anvisningene i dette dokumentet og oppbevar dem på en sikker plass slik at de kan brukes ved behov.

## DELER OG FUNKSJONER



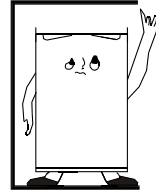
1. Fryserens dør
2. Isholderbrett (ekstrautstyr)
3. Fryser
4. Dryppbrett
5. Hyller i fryseren
6. Deksel i glass
7. Grønnsaksskuff
8. Nivelleringsføtter
9. Flaskeholder
10. Innfelt dørhåndtak
11. Dørbryter
12. Knott for innstilling av temperaturen
13. Øvre deksel



## 2. Korrekt plassering

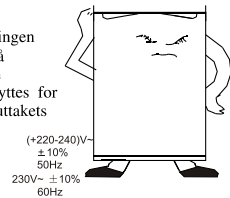
### Passende ventilasjon

En god ventilasjon på alle sidene av kjøleskapet er grunnleggende for å sikre korrekt bortføring av varmen, en optimal drift av kjøleskapet og begrenset energiforbruk. Av denne årsaken er det alltid nødvendig å la det være igjen nødvendig plass på alle fire sidene av kjøleskapet. Kjøleskapets bakre del må plasseres minst 100 mm fra veggen, sidene ved minst 100 mm og på den øvre siden er det nødvendig å holde en sikkerhetsavstand på minimum 200 mm. Husk også på at døren skal kunne åpnes med 160°.



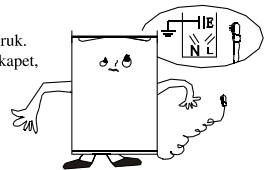
### Strømtilførsel

Kjøleskapet kan bare strømføres med en enfaset strømtilførsel med vekselstrøm ac ved (220-240)V~/50Hz; 230V~/60Hz. Hvis det oppstår hyppige svingninger i spenningen eller hvis spenningen overskrider angitte verdier i boligstrøket ditt, anbefales det å installere en innretning for automatisk justering av spenningen AC for å beskytte selve kjøleskapet. Koble kjøleskapet til et dedisert uttak som ikke er det samme som benyttes for de andre elektriske apparatene. Kontroller at støpselets egenskaper tilsvarer vegguttaket med jording.



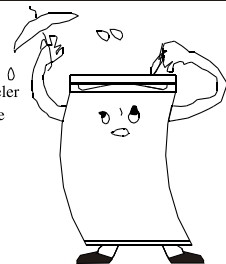
### El-kabel

Ikke brykk strømkabelen og koble den ikke til skjøteledninger mens kjøleskapet er i bruk. Pass dessuten på å ikke plassere el-kabelen nær kompressoren på baksiden av kjøleskapet, fordi overflaten til denne kompressoren kan nå svært høye temperaturer under bruk. En eventuell kontakt med denne komponenten kan gjøre isoleringen ubrukelig eller medføre strømtap.



### Beskyttelse mot fuktighet

Ikke installer kjøleskapet på svært fuktige steder, også for å unngå at kjøleskapets deler i metall kan ruste. Sprut dessuten ikke direkte vann på kjøleskapet, for å unngå og gjøre isoleringen ubrukelig og medføre strømtap.



## 2. Korrekt plassering

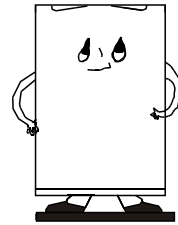
### Beskyttelse mot varme

Ikke installere kjøleskapet nær varmekilder eller i direkte sollys.



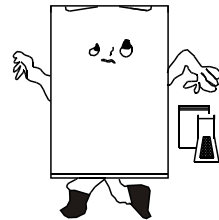
### Stabilitet

Installer alltid kjøleskapet på en motstandsdyktig og stabil overflate. Ikke plassere kjøleskapet på myke materialer som skum, plast eller andre lignende materialer. Hvis kjøleskapet ikke står rett, justere skruene. Ikke plassere kjøleskapet nær gjenstander som lager ekko.



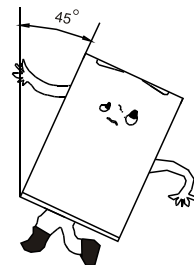
### Farekilder

Ikke installere kjøleskapet nær flyktige eller brennbare materialer, som gass, olje, alkohol, sprayflasker, vegetabilsk olje, etc. Bruk aldri kjøleskapet for å oppbevare noen av disse materialene.



### Bevegelse

Under installasjonen eller forflytting av kjøleskapet, plassere det aldri horisontalt, len det med 45° eller snu det opp ned.



### 3. Varsel om fare

Vannet som finnes i noen matvarer eller i luften som trenger inn i kjøleskapet når dørene åpnes, kan danne et lag rim inne i selve kjøleskapet. Et veldig tykt lag med rim kan forringe kjøleskapets ytelse. Så hvis tykkelsen på rimet overskrider 2 mm, anbefales det å avrime kjøleskapet.

Avrimingen av fryseren skal utføres for hånd. Før dette inngrepet utføres, ta ut matvarene, isholderbrettet og hyllene, og sett dem midlertidig inn i kjøleskapet. Sett deretter knotten for justering av temperaturen i stilling "0" (for å stanse kompressoren) og la døren stå åpen inntil isen smelter fullstendig og renner ned på bunnen av fryseren. Det er nå mulig å tørke opp vannet med en myk klut. For å gjøre inngrepet hurtigere, er det mulig å sette en beholder med varmt vann (med en temperatur på cirka 50°C) i fryseren. Husk å sette knotten for innstilling av temperaturen i den opprinnelige stillingen etter endt avriming.

Ikke forsøk å varme opp direkte fryseren med varmt vann eller med en fønne for å påskynde avrimingen, siden dette inngrepet kan deformere den innvendige bekleddingen.

Det er generelt ikke tilrådelig å skrape bort isen eller rimet eller forsøke å løsne matvarene fra frosne beholdere ved bruk av spisse gjenstander eller tresleiver, fordi disse inngrepene kan skade den innvendige bekleddingen eller overflaten til fordampere.

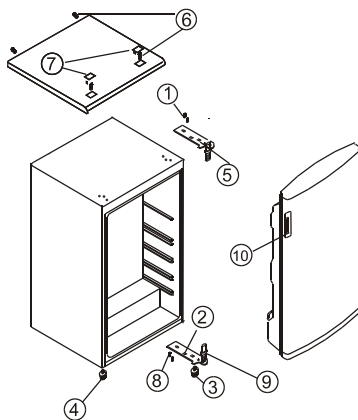
Hvis el-kabelen er skadet, la bare et assistansesenter som er godkjent av produsenten skifte den ut. Inngrepet med utskifting av el-kabelen krever bruk av spesialutstyr.

## 4. Flytte døren på den andre siden

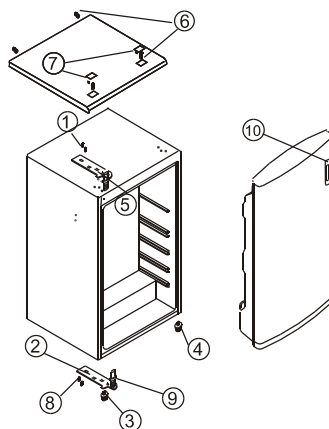
Dette kjøleskapet er utstyrt med hengsler for feste av døren høyre side. For å endre retningen som døren åpner, er det tilstrekkelig å utføre følgende inngrep:

1. Fjern det lille plastdekslet (7) og skruene (6) som fester arbeidshyllen i posisjon for å demontere den.
2. Fjern de to skruene (1) som fester det øvre hengslet i posisjon (5) (på høyre side) til strukturen. Fjern det øvre hengslet (5).
3. Løft døren og plassere den på en vattert overflate for å unngå å lage riper på den.
4. Fjern de to skruene (8) som fester det nedre hengslet i posisjon (2) og fjern hengselet.
5. Ta bort den fremre venstre foten (4) og monter den på høyre side.
6. Før det nedre hengslet (2) monteres, fjern festestiften (9) og bytt om det nedre hengselets retning (2). Monter derefter det nedre hengselet (2) på venstre side til den nedre strukturen, og forrigle det i stilling med to skruer (8).
7. Sett inn festestiften (9) i det nedre hengselet (2).
8. Sett døren i stilling, og kontrollere at den er satt inn i det nedre hengselet (2).
9. Idet døren holdes i lukket posisjon, fest det øvre hengselet (5) på venstre side til den øvre strukturen, og forrigle det i stilling med to skruer (1). Pass på at de to skruene (1) festes ordentlig bare etter at døren er satt på linje med motslagplaten.
10. Monter arbeidsplaten på den øvre delen og fest den i stilling med skruene (6), så dekk den til med et lite plastdeksel (7).
11. Fjern dørhåndtaket (10) fra den venstre siden og monter den på høyre side.

## 4. Flytte døren på den andre siden



Figur 1



FIGUR "2"

FIGUR 1 – DELENES POSISJON FØR DØRENS SLAGRETNING SKIFTES.

FIGUR 2 – DELENES POSISJON ETTER AT DØRENS SLAGRETNING ER ENDRET.

## 5. Vedlikehold

### Rengjøre de ytre overflatene med en myk klut.

#### Fravær over lengre tid

1. Tøm kjøleskapet.
  2. Koble kjøleskapet fra el-nettet.
  3. Avrime og rengjøre kjøleskapet innvendig.
  4. Hvis kjøleskapet ikke skal brukes over en lengre periode, la døren stå åpen for å unngå at det dannes mugg, dårlig lukt eller oksydering.
  5. Rengjøre kjøleskapet.
    - . Rengjøre innsiden ved lav temperatur (der dette finnes).
    - . Rengjøre innsiden av kjøleskapet regelmessig med en svamp dyppet i varmt vann og/eller nøytral såpe. Skyll og tørk med en myk klut.
- Bruk ikke produkter som lager riper, klor, flekkjernere (som aceton eller trikloretylen) eller eddik.

#### Utskifting av lyspærene

Før lyspæren skiftes ut, koble kjøleskapet fra el-nettet. Utføre deretter inngrepene som beskrives her:  
Trykk på vingene på siden av lyspærens deksel og fjern lyspæren.  
Skift ut lyspæren med en ny en med maksimal effekt på 10 W.  
Montere lyspærens deksel og vent 5 minutter før kjøleskapet kobles til el-nettet på nytt.



## 6. Problemløsning

1. Hvis kjøleskapet ikke virker:

Kontrollere at det ikke oppstår strømbrudd.

Kontrollere at strømtøpsselet er satt inn i vegguttaket.

Kontrollere at sikringen ikke er gått.

2. Hvis kjøletemperaturen er altfor høy:

Kontrollere at knotten for innstilling av temperaturen er satt på riktig verdi.

Hvis matvarene som inneholder mye kondens plasseres direkte under lufinntakene, er det mulig at de fryses fort. Dette forholdet angir ikke en driftsfeil.

3. Hvis kjøletemperaturen er altfor lav:

Matvarene ligger altfor tett sammen og hindrer fri flyt av luft.

Matvarene som er lagt inn, er for varme, eller for mye mat er lagt inn i kjøleskapet.

Døren er ikke ordentlig lukket igjen.

Dørens tetningslister er skadet.

Ventilasjonen er utilstrekkelig.

Kjøleskapet er installert for nært veggen eller andre gjenstander (over eller på sidene).

Knotten for innstilling av temperaturen er ikke stilt inn på riktig verdi.

4. Hvis vannet som dannes under avrimingen faller ned i kjøleskapet eller på gulvet:

Kontrollere at slangen og tømmeåpningen ikke er skadet.

Kontrollere at beholderen for oppsamling av vann er korrekt plassert.

5. Hvis det oppstår kondens på kjøleskapets ytre overflater:

Kondens kan noen ganger dannes på kjøleskapets ytre overflater hvis fuktigheten er høy eller rommet er veldig fuktig. Denne kondensen er lik den som dannes når det helles kaldt vann i et glass og angir derfor ikke et problem med kjøleskapet. Fjern kondensen med en tørr klut.

6. Hvis du hører en lyd som ligner på rennende vann:

Denne lyden dannes normalt av kjølevæsken og angir ikke en feil.

7. Hvis kjøleskapets sidepanel varmes opp:

Kjøleskapets sidepanel varmes opp når døren åpnes og lukkes hyppig, når kjøleskapet settes i gang eller hvis den ytre romtemperaturen er veldig høy. I dette tilfellet anbefales det å ikke ta på panelet. Overopphetingen av panelet produseres av bortføringen av varme inne i kjøleskapet og angir ikke en driftsfeil.

## 7. Tekniske spesifikasjoner

\*For detaljerte opplysninger om de tekniske spesifikasjonene, se merkeskiltet som er plassert bak på kjøleskapet.

\*Spesifikasjonene kan endres uten forhåndsvarsel.



# ENNEN LAITTEEN KÄYTTÖNOTTOA

- Tämä laite on tarkoitettu ainoastaan kotikäyttöön.

Saat laitteesta kaiken hyödyn jos luet huolellisesti käyttöohjeet, jotka kertovat laitteen ominaisuuksista sekä antavat tietoja elintarvikkeiden säilytyksestä.

Säilytä tätä opasta aina varmassa paikassa, josta saat sen helposti käsiisi tarpeen vaatiessa.

1. Kun olet ottanut laitteen pois pakkauksestaan, tarkasta, että se on ehjä ja että ovi menee kiinni asianmukaisesti. Ilmoita mahdollisista vaurioista jälleenmyyjälle 24 tunnin kuluessa tavaran vastaanottamisesta.
2. Odota vähintään kaksi tuntia ennen kuin käynnistät laitteen, jotta jäähytyspiiri toimii täydellä teholla.
3. Laitteen asennuksen ja sähköliitännät saa suorittaa ainoastaan pätevä ammattimies valmistajan ohjeiden sekä paikallisten turvallisuusmääräysten mukaisesti.
4. Puhdista laite sisältä ennen käyttöä.

# ENNEN LAITTEEN KÄYTTÖNOTTOA

## 1. Pakkaus

Pakkausmateriaali on kokonaan kierrätyskelpoista, mikä näkyy myös kierrätysmerkinnästä. Hävitä nämä materiaalit paikallisten jätehuoltomääräysten mukaisesti. Pidä pakkausmateriaalit (muovipussit, polypropeeniset osat, jne.) poissa lasten ulottuvilta, koska ne saattavat aiheuttaa vaaratilanteita.

## 2. Romutus ja hävittäminen

Laite on valmistettu kierrätettävistä materiaaleista.

Laitteessa oleva merkintä osoittaa sen olevan yhdenmukainen direktiivissä 2002/96/EY annettujen sähkö- ja elektronisten laitteiden hävittämistä koskevien määräysten kanssa (WEEE).

Laitteen asianmukainen hävittäminen on oleellisen tärkeää, koska tällöin ympäristöön ja ihmisten terveyteen kohdistuvat vauriot jäävät mahdollisimman pieniksi.

Laitteessa tai sen mukana tulevissa asiakirjoissa oleva merkintä tarkoittaa, että sitä ei saa hävittää tavallisena kotitalousjätteenä vaan se on toimitettava käytettyjen sähkö- ja elektronisten laitteiden hävittämiseen erikoistuneeseen laitokseen. Käytöstä poiston yhteydessä on laite tehtävä käyttökelvottomaksi katkaisemalla virtajohto ja poistamalla ovi/ovet sekä hyllyt, siten että lapset eivät pääse kiipeilemään laitteen päällä.

Hävitä laite paikallisten jätehuoltomääräysten mukaisesti toimittamalla se valtuutettuun keräyspisteeseen. Älä jätä laitetta ilman valvontaa edes muutamaksi päiväksi, koska se voi aiheuttaa vaaratilanteita erityisesti lapsille. Lisätietoja laitteen käsittelystä, hävittämisestä sekä kierrätyksestä on saatavana alueellisesta jätehuoltotoimistosta, jätelaitoksilta tai jälleenmyyntiliikkeestä, josta laite on hankittu.

## Teknisiä tietoja

Tässä laitteessa ei käytetä CFC- (jäähdytyspiiri sisältää R134a-kaasua) eikä HFC-kaasua (jäähdytyspiiri sisältää R600a-kaasua). Lisätietoja löytyy laitteen arvokilvestä).

Isobutaania (R600a) käyttävät laitteet: isobutaani on luonnonkaasu, jolla ei ole haitallisia ympäristövaikutuksia, mutta se on tulenarkaa. On siis ehdottomasti huolehdittava siitä, että jäähdytysputkisto ei pääse vahingoittumaan.

## Vaatumustenmukaisuusvakuutus

- Tämä laite on tarkoitettu elintarvikkeiden säilyttämistä varten ja sen valmistuksessa on noudatettu eurooppalaisen säädöksen 1935/2004 vaatimuksia. Tämän laitteen suunnittelussa, valmistuksessa ja markkinoinnissa noudatetaan seuraavien EU-direktiivien vaatimuksia:

- pienjännitedirektiivin turvallisuusmääräykset (73/23/ETY)

- sähkömagneettista yhteensopivuutta koskevan direktiivin 89/336/ETY (sekä sen muutokset direktiivissä 93/68/ETY) turvallisuusmääräykset.

- Laitteen sähköturvallisuus on varmistettu vain, kun se on kytketty asianmukaisesti maadoitettuun ja määräysten mukaiseen sähköverkkostoon.



# TÄRKEITÄ TURVALLISUUSTIETOJA

Seuraavien varoitusten tarkoituksena on lisätä käyttäjän turvallisuutta. Varmista, että olet lukenut ja ymmärtänyt kaikki varoitimet ennen kuin asennat laitteen tai käytät sitä. Turvallisuus on erittäin tärkeää. Jos et ymmärrä täysin jotain kohtaa varoitoissa, pyydä lisä tietoja Asiakaspalvelusta.

## Asennus

Laitte on painava ja sitä on siis siirrettävä varovaisesti.

Älä muuta laitteen teknisiä ominaisuuksia tai itse laitetta millään tavalla, koska luvattomat muutokset voivat aiheuttaa ongelmia.

Tarkasta, että virtajohto ei ole laitteen alla. Jos virtajohto on vaurioitunut, hanki vaihtejohto paikallisesta huoltopalvelusta.

Kaikki laitteen asennuksen yhteydessä sähkölaitteistoon tehtävät toimenpiteet on jätettävä pätevän sähköasentajan tai kokeneen suorittettaviksi.

Älä jätä kuumevia osia kosketukselle alttiiksi.

Mikäli vain mahdollista, aseta laite siten, että sen takaosa tulee seinää kohti. Varmista hyvä ilmankierto noudattamalla kokoomsioheijissa annettuja turvaetäisyyksiä.

Asennuksen loputtua on odotettava aina 2 tuntia ennen kuin jääkaappi voidaan käynnistää, koska jäähdytysaineen on saatava tasaantua.

**HUOMIO!** Asenna laite aina ympäristöön, jossa on riittävän hyvä ilmankierto.

## Lasten turvallisuutta koskevia varoituksia

Lapset saavat käyttää jääkaappia ainoastaan vastuuntuntoisen aikuisen valvonnassa, joka huolehtii siitä, että laitetta käytetään turvallisesti.

Pida huolta siitä, että pikkulapset eivät leiki laitteella.

## Käyttöä koskevia varoituksia

Tämä laite on suunniteltu ainoastaan kotikäyttöä varten ja sitä käytetään elintarvikkeiden säilyttämiseen.

Älä pakasta sulatettuja elintarvikkeita uudelleen.

Älä laita hiilihapollisia juomia pakastimeen.

Älä nauti elintarvikkeita (esimerkiksi mehujäätä) suoraan pakastimesta. Seurauksena saattaa olla vatsavaivoja.

Älä ota elintarvikkeita pakastimesta kosteilla tai märillä käsillä. Seurauksena saattaa olla kylmän aiheuttamia naarmuja tai polttamia.

## Puhdistus ja huolto

Sammuta laite tai irrota sen virtajohto aina ennen puhdistusta tai huoltoa.

Älä yritä poistaa jäätä tai huurreta teräväkärkisillä esineillä. Lisätietoja löytyy sulatusta koskevista ohjeista.

**HUOMIO!** Älä yritä nopeuttaa sulamista mekaanisilla tai muunlaisilla laitteilla.

Älä vahingoita jäähdytyspiiriä.

Käytä laitteen sisällä ainoastaan valmistajan suosittelemia sähkölaitteita.

## Korjaukset

Toimita laite korjattavaksi ainoastaan pätevälle korjaajalle, joka käyttää alkuperäisiä varaosia.

Älä yritä koskaan korjata laitetta itse. Luvatta tehdyt korjaukset saattavat aiheuttaa vakavia vammoja ja vaurioittaa laitetta. Kun tarvitset korjauksia, käänny aina huoltopalvelun puoleen.

## Käyttöön lopussa

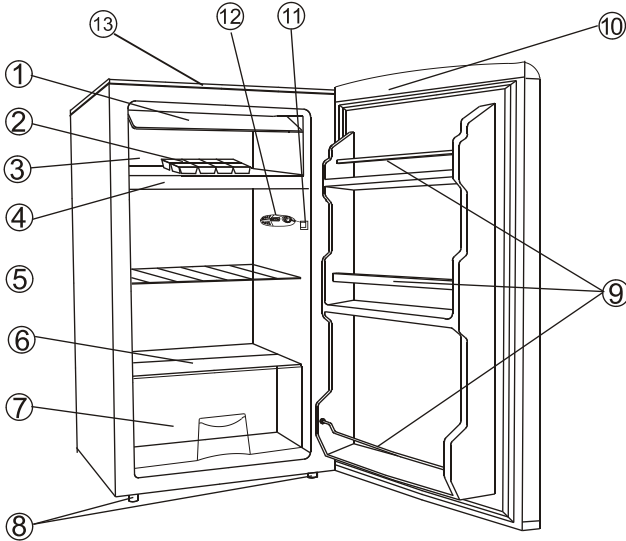
**HUOMAA:** ennen kuin hävität jääkaapin, sammuta se ja irrota virtajohto. Leikkaa pistoke pois tai tee se muuten käyttökelvottomaksi. Varmista, että jääkaapin ovi ei voi mennä kiinni, näin myös siinä tapauksessa, että se aukeaa työntämällä sivulta (parasta on ottaa ovi pois).  
**JÄÄKAAPIT VOIVAT OLLA VAARALLISIA LAPSELLE!**

**HUOMIO!** Hävitä elinkaarensa loppuun tullut laite WEEE-direktiivissä ilmoitetulla tavalla (ks. asianomainen kohta). Laitte käyttää R600a-kylmäainetta sekä eristevaahdon sisältämää tulenarkaa kaasua.

Ennen kuin hävität jääkaapin, sammuta se ja irrota sähkövirrasta. Leikkaa pistoke pois tai tee se muuten käyttökelvottomaksi. Tarkasta, että ovi ei voi mennä kokonaan kiinni siinäkin tapauksessa, että sen voi avata sisäpuolelta. Yleisesti ottaen on parasta irrottaa ovi kokonaan.

Lue huolellisesti tämän oppaan sisältämät ohjeet ja säilytä opasta varmassa paikassa, josta se on tarpeen vaatiessa helposti saatavilla.

## OSAT JA TOIMINNOT

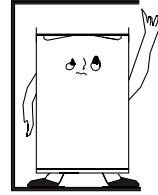


1. Pakasteosaston ovi
2. Jääkuutioastia (lisävaruste)
3. Pakasteosasto
4. Tippa-astia
5. Jääkaappiosan hyllyt
6. Lasikansi
7. Vihanneslaatikko
8. Säädetävät jalat
9. Pullohyllyt
10. Upotettu kahva
11. Ovikatkaisija
12. Lämpötilan säädin
13. Yläkansi

## 2. Oikea sijoituspaikka

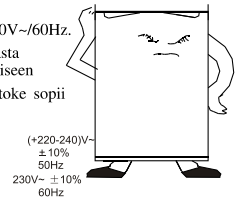
### Riittävä ilmankierto

Hyvä ilmankierto laitteen ympärillä on lämmön haihtumisen kannalta olennainen seikka, koska tällöin laite toimii paremmin ja kuluttaa vähemmän. Tästä syystä on jääkaapin neljälle sivulle aina jätettävä riittävästi tilaa. Laitteen taka- ja sivukuorien on oltava vähintään 100 mm:n etäisyydellä seinästä ja yläkuoren suhteen on noudatettava vähintään 200 mm:n turvaetäisyyttä. Ota myös huomioon, että oven on voitava avautua 160°.



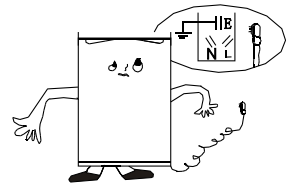
### Virta

Laitetta voidaan käyttää ainoastaan yksivaiheisella vaihtovirralla (220 - 240) V~/50Hz; 230V~/60Hz. Mikäli asuinalueella esiintyy usein jännitevaihteluita tai jännite ylittää annetut arvot, on parasta hankkia automaattinen vaihtovirran suojaalaite itse laitteen suojaksi. Kytke laite omaan erityiseen pistorasiansa, joka on erilainen kuin muille sähkölaitteille tarkoitettu. Tarkasta, että pistoke sopii maadoitettuun pistorasiaan.



### Virtajohto

Älä taivuta virtajohtoa äläkä kytke sitä jatkojohtoihin silloin kun laite on käynnissä. Koska laitteen takaosassa sijaitsevan kompressorin pintalämpötila voi kohota erittäin korkeaksi käytön aikana, pidä myös huolta siitä, että virtajohto ei joudu kompressorin läheisyyteen. Mahdollinen kontakti tämän osan kanssa saattaa tehdä eristyksen hyödyttömäksi tai aiheuttaa vuotovirtaa.



### Kosteudelta suojaaminen

Älä asenna laitetta erittäin kosteisiin tiloihin jo senkään vuoksi, että jääkaapin metalliosat saattavat ruostua. Älä myöskään ruiskuta vettä suoraan jääkaappiin, koska seurauksena saattaa olla eristyksen tuleminen hyödyttömäksi tai vuotovirran syntyminen.



## 2. Oikea sijoituspaikka

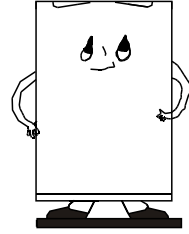
### Lämmöltä suojaaminen

Älä asenna laitetta lämmönlähteiden läheisyyteen tai suoraan auringonvaloon.



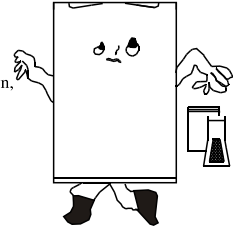
### Vakaa alusta

Asenna laite aina kestäväälle ja vakaalle alustalle. Älä aseta jääkaappia pehmeiden materiaalien kuten vaahtojen, muovin tai vastaavien varaan. Jos laite ei ole tasapainossa, säädä ruuveista. Älä aseta laitetta lähelle esineitä, jotka tuottavat ääniaaltoja.



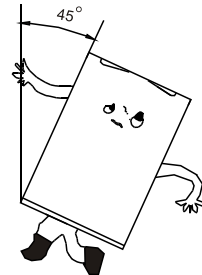
### Vaaran aiheuttajia

Älä asenna laitetta herkästi lentävien tai syttyvien aineiden, kuten kaasujen, paloöljyn, spriin, lakkojen, kasvoöljyjen jne. läheisyyteen. Älä käytä laitetta koskaan näiden aineiden säilytykseen.



### Siirtäminen

Älä koskaan aseta jääkaappia vaaka-asentoon sen asennuksen tai siirtämisen aikana. Kallista sitä 45° tai käännä se ylösalaisin.



### 3. Vaarallisia tilanteita

Joidenkin elintarvikkeiden sisältämä vesi tai oven auetessa ilman mukana tuleva kosteus voi aiheuttaa huurrekerroksen syntymistä jääkaapin sisälle. Paksu huurrekerros puolestaan alentaa jääkaapin tehokkuutta. Jos siis huurrekerros on paksumpi kuin 2 mm, on jääkaapin sulattaminen aiheellista.

Pakasteosaston sulattaminen on tehtävä manuaalisesti. Ennen toimenpiteen suorittamista on pakasteosasta poistettava elintarvikkeet, jääkuutioastia sekä hyllyt. Voit laittaa ne väliaikaisesti jääkaappiosaan. Käännä tämän jälkeen lämpötilan säädin asentoon "0" (kompessori sammuu) ja jätä ovi auki kunnes jää sulaa kokonaan ja valuu pakasteosan pohjalle. Nyt voit kuivata veden pehmeällä liinalla pyyhkien. Sulattaminen sujuu nopeammin jos laitat lämmintä vettä (noin 50 °C) sisältävän astian pakasteosan sisälle. Muista kääntää lämpötilan säädin takaisin alkuperäiseen asentoon sulatuksen lopuksi.

Älä yritä nopeuttaa sulamista lämmitämällä pakasteosaa suoraan lämpimällä vedellä tai hiustenkuivaajalla, koska vaarana saattaa olla pakasteosan sisävaipan vioittuminen.

Älä myöskään yritä poistaa jäätä tai huurretta tai elintarvikkeita jäätyneistä astioista teräväkärkisillä välineillä tai puulastoilla raaputtamalla, koska vaarana saattaa olla sisäkuoren tai haihduttimen pinnan vioittuminen.

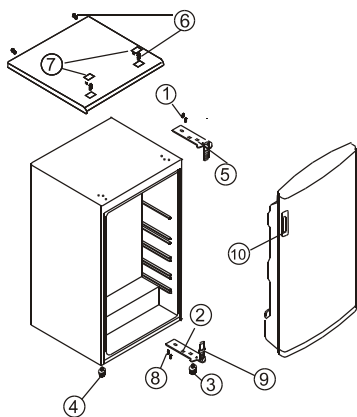
Jos virtajohto on vaurioitunut, käänny valmistajan valtuuttaman paikallisen huoltopalvelupisteen puoleen sen vaihtamiseksi. Virtajohdon vaihdossa tarvitaan erityistyökaluja.

## 4. Oven avautumissuunnan vaihtaminen

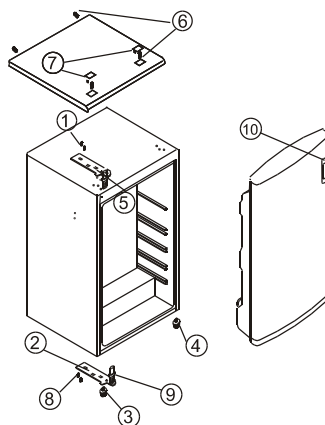
Tämä jääkaappi on varustettu saranoilla oikeanpuoleista ovea varten. Oven avautumissuunnan vaihtamiseksi on suoritettava seuraavat yksinkertaiset toimenpiteet:

1. Irrota pieni muovikansi (7) ja ruuvit (6), jotka kiinnittävät paikalleen työtason, joka nyt poistetaan.
2. Irrota kaksi ruuvia (1), jotka kiinnittävät yläsaranan (5) (oikealla puolella) paikalleen runkoon. Irrota yläsarana (5).
3. Nosta ovi pois paikaltaan ja aseta se pehmustetulle pinnalle, jotta se ei naarmuuntuisi.
4. Irrota kaksi ruuvia (8), jotka kiinnittävät alasaranan (2) paikalleen ja irrota se.
5. Irrota vasemmalla puolella edessä sijaitseva tukijalka (4) ja asenna se oikealle puolelle.
6. Irrota kiinnitystappi (9) ennen alasaranan (2) asennusta ja vaihda alasaranan (2) suunta. Asenna nyt alasarana (2) alarakenteen vasemmalle puolelle ja kiinnitä se paikalleen kahdella ruuvilla (8).
7. Laita kiinnitystappi (9) alasaranaan (2).
8. Laita ovi paikalleen ja varmista, että se asettuu asianmukaisesti alasaranaan (2).
9. Pidä ovea kiinni, kiinnitä yläsarana (5) ylärakenteen vasemmalle puolelle ja kiinnitä se paikalleen kahdella ruuvilla (1). Kiristä kaksi ruuvia (1) loppuun asti vasta kun olet asettanut oven tasan vastalevyn kanssa.
10. Asenna työtaso paikalleen laitteen päälle ja kiinnitä se paikalleen ruuveilla (6). Aseta sitten pieni muovikansi (7) takaisin paikalleen.
11. Irrota ovenkahva (10) vasemmalta puolelta ja asenna se oikealle puolelle.

## 4. Oven avautumissuunnan vaihtaminen



Kuva 1



KUVA "2"

KUVA 1 – OSIEN SIJAINTI ENNEN OVEN AVAUSSUUNNAN KÄÄNTÄMISTÄ

KUVA 2 – OSIEN SIJAINTI OVEN AVAUSSUUNNAN KÄÄNTÄMISEN JÄLKEEN



### Puhdista ulkopinnat pehmeällä liinalla.

### Jos et käytä jääkaappia pitkään aikaan:

1. Tyhjennä jääkaappi.
  2. Kytke jääkaapista virta pois.
  3. Sulata jääkaappi ja puhdista se.
  4. Jos et käytä jääkaappia pitkään aikaan, jätä sen ovi auki homeen, hajujen ja ruostumisen ehkäisemiseksi.
  5. Puhdista laite.
    - Puhdista kylmäosan sisäpuoli (mikäli sellainen laitteessa on).
    - Puhdista jääkaappiosan sisäosa säännöllisesti lämpimään veteen ja/tai neutraaliin pesuaineeseen kastetulla sienellä. Huuhtele ja kuivaa pehmeällä liinalla.
- Älä käytä hankaavia tuotteita, klooripitoisia pesuaineita, tahranpoistoaineita (kuten aetonia tai trikloorietyleenä) tai etikkaa.

### Lamppujen vaihto

Kytke jääkaapista virta pois ennen kuin vaihdat lampun. Toimi sitten seuraavalla tavalla.

Paina lampun kuoren sivuilla olevista painikkeista ja ota kuori pois.

Vaihda lampun tilalle uusi, korkeintaan 10 W:n tehoinen lamppu.

Aseta lampun kuori takaisin paikalleen ja odota 5 minuuttia ennen kuin kytket virran uudestaan.



## 6. Vianhaku

1. Jos jääkaappi ei toimi:

Tarkasta että sähkönjälkelussa ei ole katkoksia.

Tarkasta että pistoke on kytketty pistorasiaan.

Tarkasta että sulake ei ole palanut.

2. Jos pakastuslämpötila on liian korkea:

Tarkasta että lämpötilan säätönappula on asetettu oikeaan arvoon.

Jos erittäin vesipitoiset elintarvikkeet asetetaan välittömästi ilmanottoaukkojen alle, ne saattavat jäätyä nopeasti. Tämä ei tarkoita, että laitteessa olisi vikaa.

3. Jos pakastuslämpötila on liian matala:

Elintarvikkeet ovat liian lähellä toisiaan ja estävät ilmankiertoa.

Jääkaappiin on laitettu liian lämpimiä elintarvikkeita tai niiden määrä on liian suuri.

Ovi on jäänyt auki.

Oven tiivisteet eivät ole kunnossa.

Tuuletus on riittämätön.

Jääkaappi on asennettu liian lähelle seinää tai muita esineitä (yläpuolella tai sivuilla).

Lämpötilan säätönappulaa ei ole asetettu oikeaan asentoon.

4. Jos sulatuksen aikana syntyvä vesi valuu jääkaappiin ja lattialle:

Tarkasta että poistoputki ja -aukko ovat kunnossa.

Tarkasta että vedenkeruustasia on asetettu asianmukaisesti.

5. Jos jääkaapin ulkopinnoille tiivistyy kosteutta:

Kosteutta saattaa toisinaan tiivistyä jääkaapin ulkopinnoille jos ympäristön ilmankosteus on erittäin korkea. Samanlaista kosteutta syntyy kylmää vettä sisältävän juomalasin pinnalle eikä tämä tarkoita, että jääkaapissa olisi vikaa. Pyyhi kosteus pois kuivalla liinalla.

6. Jos kuuluu juoksevaa vettä muistuttavaa ääntä:

Ääni syntyy tavallisesti jäähdytysaineen kierrosta eikä se tarkoita, että jääkaapissa olisi vikaa.

7. Jos jääkaappi tilan sivupaneeli lämpiää:

Jääkaappi tilan sivupaneeli lämpiää silloin kun ovea avataan ja suljetaan usein, silloin kun laite käynnistetään tai silloin kun jääkaappi on sijoitettu erittäin lämpimään paikkaan. Tässä tapauksessa on parasta olla koskematta paneeliin. Paneelin lämpiäminen johtuu tilan sisäisestä lämmön haihtumisesta eikä se tarkoita, että jääkaapissa olisi vikaa.

## 7. Teknisiä tietoja

\*Tekniset yksityiskohdat on merkitty jääkaapin takapuolelle kiinnitettyyn arvokilpeen.

\*Tekniset tiedot saattavat muuttua ilman ennakoilmoitusta.

## ZONE LA PLUS FROIDE DU REFRIGERATEUR



Le symbole ci-contre indique l'emplacement de la zone la plus froide de votre réfrigérateur. Cette zone est délimitée en bas par la vitre du bac à légumes, et en haut par le symbole ou bien la clayette positionnée à la même hauteur. Afin de garantir les températures dans cette zone, veuillez à ne pas modifier le positionnement de cette clayette.

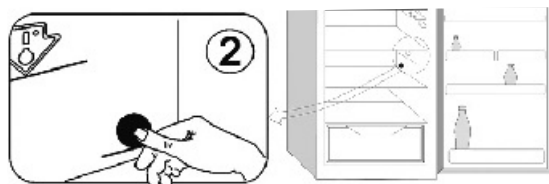
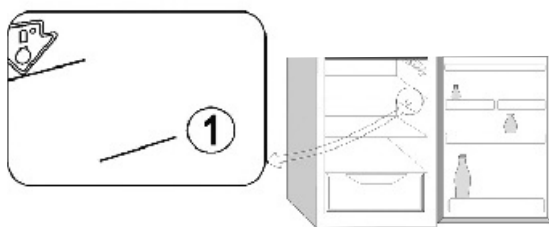
Dans les réfrigérateurs à air pulsé (équipés d'un ventilateur ou modèles No Frost), le symbole de la zone la plus froide n'est pas représenté car la température à l'intérieur de ceux-ci est homogène.

### INSTALLATION DE L'INDICATEUR DE TEMPERATURE

Pour vous aider à bien régler votre réfrigérateur, celui-ci est équipé d'un indicateur de température qui permettra de contrôler la température moyenne dans la zone la plus froide.

ATTENTION: Cet indicateur est prévu pour fonctionner uniquement avec votre réfrigérateur, veuillez à ne pas l'utiliser dans un autre réfrigérateur (en effet, la zone la plus froide n'est pas identique), ou pour toute autre utilisation.

### INDICATEUR DE TEMPERATURE: ZONE LA PLUS FROIDE DE VOTRE REFRIGERATEUR.



## VERIFICATION DE LA TEMPERATURE DANS LA ZONE LA PLUS FROIDE

• Grâce à l'indicateur de température, vous pourrez vérifier régulièrement que la température de la zone la plus froide est correcte. En effet, la température à l'intérieur du réfrigérateur est fonction de plusieurs facteurs tels que la température ambiante du local, la quantité de denrées stockées, la fréquence d'ouverture de la porte. Prenez ces facteurs en considération lors du réglage de l'appareil.

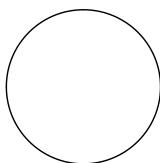
Lorsque l'indicateur indique « OK », cela signifie que votre thermostat est bien réglé, et que la température intérieure est correcte.

Si la couleur de l'indicateur est blanche, cela signifie que la température est trop élevée, il faut dans ce cas augmenter le réglage du thermostat et attendre 12 heures pour effectuer un nouveau contrôle visuel de l'indicateur.

Après chargement ou ouverture de la porte, il est possible que l'indicateur devienne blanc au bout de quelques instants.



Réglage correct



Température trop élevée, réglez le thermostat

## RESPECT DES REGLES D'HYGIENE ALIMENTAIRE

Nettoyer fréquemment l'intérieur du réfrigérateur en utilisant un produit d'entretien doux, sans effet oxydant sur les parties métalliques, puis rincer avec de l'eau additionnée de jus de citron, de vinaigre blanc ou avec tout produit désinfectant adapté au réfrigérateur.

Retirer les emballages du commerce avant de placer les aliments dans le réfrigérateur (par exemple, emballages des packs de yaourts).

L'observation des conseils suivants est de nature à éviter la contamination croisée et à éviter une mauvaise conservation des aliments:

Emballer systématiquement les produits pour éviter que les denrées ne se contaminent mutuellement. Se laver les mains avant de toucher les aliments et plusieurs fois pendant la préparation du repas si celle-ci implique des manipulations successives de produits différents, et après, bien sûr, au moment de passer à table comme les règles d'hygiène l'imposent.

Ne pas réutiliser des ustensiles ayant déjà servi (cuillère en bois, planche à découper) sans les avoir bien nettoyés au préalable.

Attendre le refroidissement complet des préparations avant de les stocker (exemple: soupe).

Limiter le nombre d'ouvertures de la porte et, en tout état de cause, ne pas la laisser ouverte trop longtemps pour éviter une remontée en température du réfrigérateur.

Disposer les aliments de telle sorte que l'air puisse circuler librement tout autour.

## CONSERVATION DES ALIMENTS DANS LE REFRIGERATEUR EN FONCTION DE LEUR NATURE

• Stocker les aliments selon leur nature dans la zone appropriée:

**Zone la plus froide:** Viandes, volailles, poissons, charcuteries, plats préparés, salades composées, préparations et pâtisseries à base d'œufs ou de crème, pâtes fraîches, pâte à tarte, pizza/quiches, produits frais et fromages au lait cru, légumes prêts à l'emploi vendus sous sachet plastique et plus généralement, tout produit frais dont la date limite de consommation (DLC) est associée à une température de conservation inférieure ou égale à +4°C.

## ΠΡΙΝ ΛΕΙΤΟΥΡΓΗΣΕΤΕ ΤΗΝ ΣΥΣΚΕΥΗ

Η συσκευή αυτή έχει σχεδιαστεί για οικιακή χρήση.

Για την καλύτερη αξιοποίηση της συσκευής διαβάστε προσεκτικά τις οδηγίες χρήσης που αναφέρονται στα χαρακτηριστικά της συσκευής και περιέχουν οδηγίες για την σωστή συντήρηση και κατάφυξη των τροφίμων.

Διατηρείστε το εγχειρίδιο προκειμένου να το συμβουλευέστε όποτε παραστεί ανάγκη.

1.- Αφαιρέστε την συσκευή από την συσκευασία και ελέγξτε ότι δεν έχει υποστεί καμία ζημία κατά την μεταφορά και ότι η πόρτα κλείνει σωστά. Σε περίπτωση ζημιάς επικοινωνήστε εντός 24 ωρών με το κέντρο τεχνικής εξυπηρέτησης τηλ. 80111505050 (αστική χρέωση σε όλη την επικράτεια) για αποτύπωση της ζημιάς .

2.- Πριν ενεργοποιήσετε την συσκευή πρέπει να περιμένετε τουλάχιστον 2 ώρες ώστε να αποκατασταθεί η στάθμη του ψυκτικού υγρού.

3.-Φροντίστε ώστε η σύνδεση και εγκατάσταση της συσκευής να γίνει από επαγγελματία τεχνικό σύμφωνα με την ισχύουσα νομοθεσία για θέματα ασφάλειας.

## ΠΡΙΝ ΛΕΙΤΟΥΡΓΗΣΕΤΕ ΤΗΝ ΣΥΣΚΕΥΗ

### 1.- Συσκευασία

Τα υλικά της συσκευασίας είναι ανακυκλώσιμα όπως πιστοποιείται και από το σήμα που υπάρχει επάνω σε αυτά. Φροντίστε για την απόσυρση των υλικών σύμφωνα με την ισχύουσα νομοθεσία. Τα υλικά συσκευασίας πρέπει να φυλάσσονται σε σημεία ασφαλή στα οποία δεν έχουν πρόσβαση τα παιδιά προς αποφυγή ατυχήματος.

### 2.- Απόσυρση και θέση σε αχρησία της συσκευής

Τα υλικά με τα οποία κατασκευάστηκε αυτή η συσκευή είναι όλα ανακυκλώσιμα. Επάνω στην συσκευή υπάρχει το σύμβολο που αφορά την απόσυρση και καταστροφή των ηλεκτρονικών συσκευιών WEEE σύμφωνα με την ισχύουσα Ευρωπαϊκή οδηγία 2002/96/CE .

Η σωστή απόσυρση της συσκευής είναι απαραίτητη για θέματα προστασίας περιβάλλοντος και υγείας . Το σύμβολο το οποίο υπάρχει επάνω στην συσκευή και στα έγγραφα που την συνοδεύουν υποδηλώνει ότι η συσκευή πρέπει να παραδοθεί στα ειδικά κέντρα ανακύκλωσης μεταχειρισμένων ηλεκτρικών και ηλεκτρονικών συσκευιών. Πριν παραδώσετε την συσκευή για απόσυρση φροντίστε να αφαιρέσετε το καλώδιο παροχής ,να αφαιρέσετε τις πόρτες, τα ράφια ώστε να μην υπάρχει κίνδυνος εγκλωβισμού ζώων ή παιδιών σε αυτές.Μην εγκαταλείψετε αφύλακτη την συσκευή γιατί εγκυμονεί κίνδυνο για τα παιδιά. Για περισσότερες πληροφορίες σχετικά με τον τρόπο ανακύκλωσης της συσκευής απευθυνθείτε στα κατά τόπους αρμόδια κέντρα ανακύκλωσης ή στον μεταπωλητή σας.

### Πληροφορίες

Αυτή η συσκευή δεν περιέχει CFC (δεδομένου ότι το κύκλωμα ψύξης περιέχει R134a) ή HFC (δεδομένου ότι το κύκλωμα ψύξης περιέχει R600a).Για περισσότερες πληροφορίες συμβουλευθείτε την πινακίδα του κατασκευαστή που βρίσκεται επάνω στην συσκευή. Συσκευές που περιέχουν ισοβουτάνιο (R600a) :το ισοβουτάνιο είναι ένα φυσικό αέριο με χαμηλό Δίκτυο ρύπανσης του περιβάλλοντος ,είναι όμως εύφλεκτο, ως εκ τούτου είναι αναγκαία η προσοχή για την διατήρηση ακεραιών των σωλήνων του ψυκτικού κυκλώματος.

### Δήλωση συμβατότητας

-Αυτή η συσκευή έχει κατασκευαστεί για την συντήρηση τροφίμων σύμφωνα με την ισχύουσα ευρωπαϊκή ρύθμιση αριθμ.1935/2004. Η συσκευή κατασκευάστηκε και παράχθηκε σύμφωνα :

Με την ευρωπαϊκή οδηγία για θέματα ασφάλειας συσκευών χαμηλής ισχύος υπάριθμ.

(73/23/CEE)



Με την ευρωπαϊκή οδηγία για θέματα ηλεκτρομαγνητικής συμβατότητας με αριθμό 89/336/CEE όπως αυτή τροποποιήθηκε με τον οδηγία 93/68/CEE .

Η ασφαλής χρήση της συσκευής εξασφαλίζεται μόνο εφόσον αυτή συνδέεται με ένα ενεργό ενκεκλιμένο δίκτυο το οποίο διαθέτει την κατάλληλη γείωση.

## **ΣΗΜΑΝΤΙΚΕΣ ΟΔΗΓΙΕΣ ΓΙΑ ΘΕΜΑΤΑ ΑΣΦΑΛΕΙΑΣ**

Οι οδηγίες που ακολουθούν δίδονται για πρόσθετη ασφάλεια του χρήστη. Πριν χρησιμοποιήσετε την συσκευή βεβαιωθείτε ότι έχετε κατανοήσει όλα τα σημεία που αφορούν στην ασφαλή χρήση και εγκατάσταση της ίδιας. Για περισσότερες πληροφορίες και για τυχόν απορίες απευθυνθείτε στα κέντρα τεχνικής υποστήριξης *Gias Service* στο 8011150505 .

### **Εγκατάσταση**

Η συσκευή πρέπει να μεταφέρεται με προσοχή δεδομένου ότι είναι βαριά.

Μην επιχειρήσετε να αλλάξετε τα χαρακτηριστικά της συσκευής γιατί μπορεί να δημιουργηθούν προβλήματα. Βεβαιωθείτε ότι το καλώδιο παροχής ηλεκτρικής ενέργειας δεν περνά κάτω από την βάση της συσκευής. Εάν το καλώδιο παροχής ενέργειας έχει φθαρεί ζητήστε να σας το αντικαταστήσουν με άλλο όμοιο από το πλησιέστερο κέντρο τεχνικής υποστήριξης *Gias Service*.

Η εγκατάσταση της συσκευής και κάθε σχετική εργασία πρέπει να γίνει από εγκαταστάτη τεχνικό ή άλλο εξειδικευμένο άτομο. Μην αφήνετε ακάλυπτα τα μέρη εκείνα της συσκευής στα οποία αναπτύσσονται θερμοκρασίες. Εφόσον υπάρχει η δυνατότητα, φροντίστε ώστε η πλάτη της συσκευής να κοιτάζει τοίχο αφήνοντας την απαιτούμενη απόσταση που θα εξασφαλίζει τον εξαερισμό της. Αφού εγκαταστήσετε την συσκευή αφήστε να περάσουν δύο ώρες πριν την βάλετε σε λειτουργία, έτσι εξασφαλίζεται η αποκατάσταση της στάθμης του ψυκτικού υγρού στο κύκλωμα ψύξης της συσκευής.

**ΠΡΟΣΟΧΗ!** Η συσκευή πρέπει να εγκαθίσταται σε χώρο που αερίζεται επαρκώς .

### **Προφυλάξεις για την ασφάλεια των παιδιών**

Μην αφήνετε να χρησιμοποιούν τη συσκευή άτομα με νοητικά προβλήματα και τα παιδιά χωρίς την επίβλεψη υπεύθυνου ενήλικα. Μην αφήνετε τα πολύ μικρά παιδιά να παίζουν με τη συσκευή.

### **Οδηγίες για την ασφαλή χρήση.**

Αυτή η συσκευή έχει κατασκευαστεί για οικιακή χρήση και ειδικά για την συντήρηση τροφίμων.

Μην ξαναψύχετε τα τρόφιμα που έχετε αποψύξει.

Μην τοποθετείτε αεριούχα ποτά στην κατάψυξη

Μην καταναλώνετε αμέσως τα τρόφιμα (παγωτά) που βγάλατε από την κατάψυξη γιατί μπορεί να προκληθεί στομαχικό άλγος.

Μην αφαιρείτε τα τρόφιμα από την κατάψυξη με βρεγμένα χέρια γιατί μπορεί να πάθετε διάβρωση ή κρουπάγημα.

### **Καθαρισμός και συντήρηση**

Απομονώστε ή αποσυνδέστε την συσκευή από το δίκτυο ηλεκτρικής ενέργειας πριν από κάθε εργασία συντήρησης ή καθαρισμού.

Μην χρησιμοποιείτε αιχμηρά αντικείμενα για τον καθαρισμό της συσκευής. Για περισσότερες πληροφορίες διαβάστε την σχετική με την απόψυξη παράγραφο.

**ΠΡΟΣΟΧΗ :** Μην χρησιμοποιείτε μηχανικά ή άλλα μέσα για να επιταχύνετε την διαδικασία απόψυξης της συσκευής. Μην επεμβαίνετε στο κύκλωμα ψύξης της συσκευής. Στο εσωτερικό της συσκευής χρησιμοποιείτε μόνο τα εργαλεία που προτείνει ο κατασκευαστής.

#### **Επισκευές**

Βεβαιωθείτε ότι οι εργασίες επισκευής της συσκευής γίνονται αποκλειστικά από ειδικευμένο εχνικό ο οποίος χρησιμοποιεί γνήσια ανταλλακτικά. Μην δοκιμάσετε να επισκευάσετε μόνο ας την συσκευή. Επεμβάσεις στην συσκευή από μη εξουσιοδοτημένο άτομο μπορεί να προκαλέσουν ζημιές και ατυχήματα. Απευθυνθείτε στο πλησιέστερο κέντρο τεχνικής ποστήριξης *Gias Service* για την αποκατάσταση της λειτουργίας της συσκευής.

#### **Τέλος χρήσης της συσκευής**

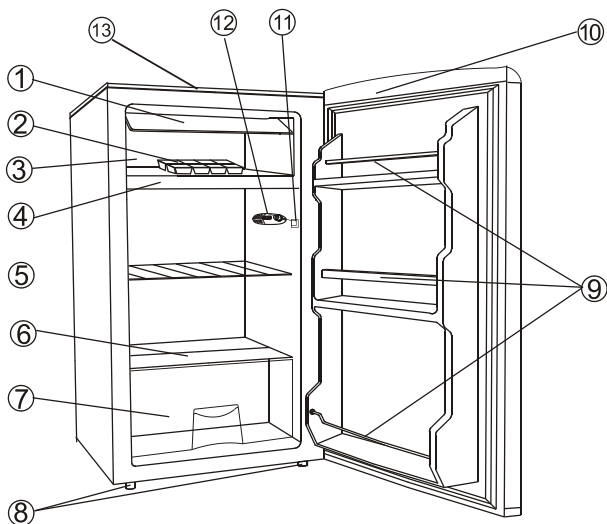
**ΣΗΜΕΙΩΣΗ :** Πριν αποσύρετε το ψυγείο, απομονώστε το, αποσυνδέστε το από το δίκτυο.

Κόψτε το καλώδιο ηλεκτρικής παροχής. Βεβαιωθείτε ότι η πόρτα δεν κλείνει (ή φαιρέστε την). **ΤΑ ΨΥΓΕΙΑ ΚΡΑΣΙΟΥ ΕΓΚΥΜΟΝΟΥΝ ΚΙΝΔΥΝΟ ΓΙΑ ΤΑ ΠΑΙΔΙΑ.**

**ΠΡΟΣΟΧΗ :** Στο τέλος του κύκλου χρήσης της συσκευής αποσύρετε την συσκευή σύμφωνα με την οδηγία WEEE. Η συσκευή περιέχει το ψυκτικό υγρό R600a και ένα ύφλεκτο αέριο σε μορφή αφρού που χρησιμοποιείται για μόνωση.

Διαβάστε προσεκτικά τις οδηγίες αυτού του εγχειριδίου, φυλάξτε το βιβλίο ώστε να απο συμβουλευέστε όποτε παραστεί ανάγκη.





### 1.- ΠΕΡΙΓΡΑΦΗ ΤΗΣ ΣΥΣΚΕΥΗΣ

- 1.- Πόρτα του χώρου ψύξης
- 2.- Δίσκος πάγου(προαιρετικός)
- 3.- Θάλαμος ψύξης
- 4.- Λεκάνη συγκέντρωσης υγρασίας
- 5.- Ράφια του χώρου συντήρησης
- 6.- Κάλυμα από γυαλί
- 7.- Συρτάρι χορταρικών
- 8.- Ποδαράκια στήριξης και ευθυγράμμισης
- 9.- Θήκη για μπουκάλια
- 10.- Χωνευτή χειρολαβή
- 11.- Διακόπτης πόρτας
- 12.- Επιλογέας θερμοκρασίας
- 13.- Κάλυμμα εξωτερικό.

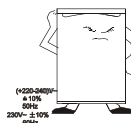
### Επαρκής εξαερισμός

Ο καλός αερισμός από όλες τις πλευρές της συσκευής είναι απαραίτητος για την εξασφάλιση της διάχυσης της θερμότητας ώστε να εξασφαλίζεται η σωστή λειτουργία της συσκευής και μείωση στην κατανάλωση ενέργειας. Για αυτό το λόγο είναι απαραίτητο γύρω από τις πλευρές της συσκευής να υπάρχει επαρκές κενό (100mm) ενώ η οροφή πρέπει να απέχει από το υπερεπίπεδο έπιπλο τουλάχιστον (200mm). Λάβετε υπόψη ότι η πόρτα πρέπει να ανοίγει στις 160°.



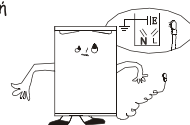
### Τροφοδοσία

Η συσκευή πρέπει να συνδέεται αποκλειστικά με εναλλασσόμενο μονοφασικό ρεύμα (220-240)V 50Hz, 230V/60Hz. Εάν στην περιοχή που θα εγκατασταθεί η συσκευή υφίστανται αυξομειώσεις στην τάση του ρεύματος ή η τάση είναι μεγαλύτερη από την προβλεπόμενη είναι σκόπιμο να συνδέσετε την συσκευή με ένα αυτόματο μηχανισμό ρύθμισης της τάσης CA προκειμένου να προστατέψετε την συσκευή. Συνδέστε την συσκευή σε μια πρίζα διαφορετική από εκείνη την οποία θα χρησιμοποιήσετε για τις άλλες συσκευές. Βεβαιωθείτε ότι τα χαρακτηριστικά της πρίζας ανταποκρίνονται σε εκείνα του φιν με γείωση.



### Καλώδιο τροφοδοσίας

Μην τσακίζετε το καλώδιο τροφοδοσίας και μην το συνδέετε με παλαντζές ενόσω η συσκευή βρίσκεται σε λειτουργία, προσέξτε ώστε το καλώδιο να μην ακουμπά επάνω στον συμπιεστή που βρίσκεται στην πλάτη της συσκευής γιατί στην επιφάνεια του μπορεί να αναπτυχθούν πολύ υψηλές θερμοκρασίες ενόσω η συσκευή βρίσκεται σε λειτουργία. Τυχόν επαφή του καλωδίου με τον συμπιεστή μπορεί να προκαλέσει ζημιά στην μόνωση ή να προκαλέσει διαφυγή ρεύματος.



### Προστασία από την υγρασία

Μην τοποθετείτε την συσκευή σε χώρους με υψηλή υγρασία έτσι απομακρύνεται η πιθανότητα οξείδωσης των μεταλλικών τμημάτων της συσκευής. Μην ψεκάζετε νερό στην συσκευή γιατί έτσι καταστρέφεται η μόνωση και υπάρχει κίνδυνος διαρροής του ρεύματος.



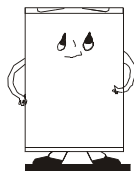
### Προστασία από την ζέστη

Μην τοποθετείτε την συσκευή κοντά σε πηγές θερμότητας ή απευθείας στο φως του ήλιου



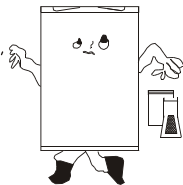
### Σταθερότητα

Τοποθετείτε την συσκευή επάνω σε ανθεκτική και σταθερή επιφάνεια. Μην ακουμπάτε το ψυγείο επάνω σε μαλακές επιφάνειες όπως αφρώδεις επιφάνειες, πλαστικό ή άλλο υλικό παρόμοιας υφής. Ευθυγραμμίστε την συσκευή. Μην τοποθετείτε την συσκευή κοντά σε αντικείμενα που αντηχούν.



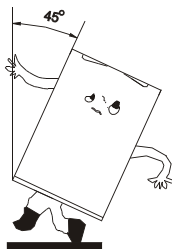
### Πηγές κινδύνου

Μην τοποθετείτε την συσκευή κοντά σε πτητικά ή εύφλεκτα υλικά όπως υγραέριο, πετρέλαιο, αλκοόλ, λάκα, λάδι φυτικό. Μην χρησιμοποιήσετε ποτέ την συσκευή για την φύλαξη τους.



### Μεταφορά

Μην τοποθετείτε την συσκευή οριζόντια, μην την αναποδογυρίζετε, μην την γέρνετε 45°.



Το νερό που περιέχεται σε μερικά τρόφιμα ή στον περιβάλλοντα χώρο εισέρχεται στο εσωτερικό της συσκευής και διαμορφώνει ένα λεπτό στρώμα πάγου. Όταν το λεπτό αυτό στρώμα ξεπεράσει τα 2mm ,πρέπει να αποψύξετε την συσκευή ,διαφορετικά μειώνεται η αποτελεσματικότητα της λειτουργίας της συσκευής.

Η απόψυξη του χώρου ψύξης πρέπει να γίνει με το χέρι. Πριν κάνετε αυτή την εργασία πρέπει να αφαιρέσετε τα τρόφιμα ,το δίσκο για τον πάγο, τα ράφια και να τα τοποθετήσετε προσωρινά μέσα στο χώρο συντήρησης. Περιστρέψτε τον επιλογέα θερμοκρασίας στην θέση Ο και αφήστε την πόρτα ανοικτή έως ότου να λειώσει εντελώς ο πάγος και να πέσει στην βάση της κατάψυξης. Μετά την διαδικασία απόψυξης πρέπει να επαναφέρετε τον θερμοστάτη στην θέση που επιθυμείτε .

Μην δοκιμάσετε να θερμάνετε το χώρο απόψυξης με ζεστό νερό ή με το πιστολάκι των μαλλιών για να επιταχύνετε την διαδικασία απόψυξης γιατί έτσι υπάρχει κίνδυνος να καταστρέψετε την εσωτερική επένδυση.

Μην δοκιμάστε να απομακρύνετε τον πάγο ή τα παγωμένα τρόφιμα με την βοήθεια αιχμηρού αντικείμενου ή ξύλινης σπάτουλας γιατί μπορεί να προκαλέσετε ζημιά στην εσωτερική επιφάνεια της συσκευής.

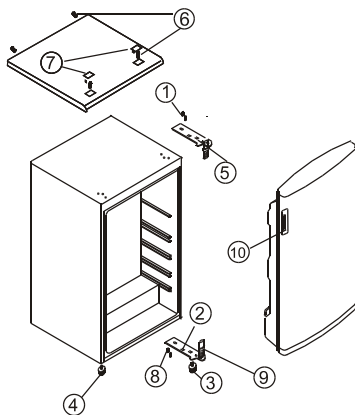
Εάν το καλωδίο παροχής έχει φθαρεί και πρέπει να αντικατασταθεί απευθυνθείτε αποκλειστικά στα κέντρα τεχνικής υποστήριξης GIAS SERVICE. Η αντικατάσταση του καλωδίου απαιτεί ειδικά εργαλεία.

#### 4. -Μετάθεση της πόρτας από την μία πλευρά στην άλλη

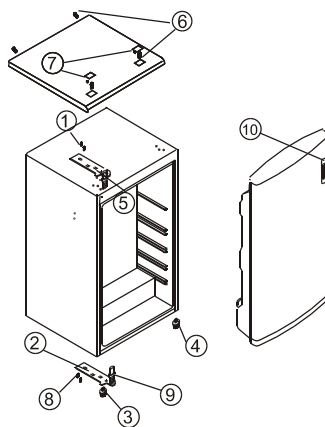
Αυτό το ψυγείο είναι εφοδιασμένο με μεντεσέδες τοποθετημένους στην δεξιά πλευρά της συσκευής .Για να αλλάξετε την φορά στο άνοιγμα της πόρτας πρέπει:

- 1.- Να αφαιρέσετε το πλαστικό κάλυμμα (7) και τις βίδες (6) που στερεώνουν την επιφάνεια στήριξης έτσι ώστε να την αφαιρέσετε.
- 2.-Να αφαιρέσετε τις δύο βίδες (1) που στερεώνουν τον επάνω μεντεσέ (5) στην δεξιά πλευρά .Αφαιρέστε τον μεντεσέ(5)
- 3.-Ανασηκώστε την πόρτα και τοποθετήστε την σε μια μαλακή επιφάνεια ώστε να μην γδαρθεί.
- 4.-Αφαιρέστε τις δύο βίδες (8) που στερεώνουν τον κάτω μεντεσέ (2) και αφαιρέστε τον μεντεσέ.
- 5.-Αφαιρέστε το αριστερό εμπρόσθιο ποδαράκι (4) και τοποθετήστε το στην δεξιά πλευρά.
- 6.- Πριν τοποθετήσετε τον κάτω μεντεσέ (2) αφαιρέστε τον πύρο στήριξης (9) και αντιστρέψτε την κατεύθυνση του κάτω μεντεσέ(2)Τοποθετήστε τον κάτω μεντεσέ (2) στην αριστερή πλευρά και στερεώστε τον με τις δύο βίδες(8)
- 7.- Τοποθετήστε τον πύρο στήριξης (9) στον κάτω μεντεσέ (2)
- 8.-Τοποθετήστε την πόρτα στην θέση του ελέγχοντας ότι έχει θηλυκώσει στον κάτω μεντεσέ (2)
- 9.-Κρατώντας την πόρτα κλειστή, στερεώστε τον επάνω μεντεσέ (5) στο αριστερό μέρος και στερεώστε με δύο βίδες (1).Βιδώστε καλά τις δύο βίδες (1) μόνο αφού ευθυγραμμίσετε την πόρτα με την επιφάνεια στήριξης.
- 10.-Τοποθετήστε την επιφάνεια στην οροφή της συσκευής και στηρίξτε το με τις βίδες (6) σκεπάστε το με το πλαστικό κάλυμμα (7)
- 11.-Αφαιρέστε την χειρολαβή της πόρτας (10) από την αριστερή πλευρά και τοποθετήστε την στην δεξιά.

4. - Μετάθεση της πόρτας από την μία πλευρά στην άλλη



Εικόνα 1



Εικόνα 2

ΕΙΚΟΝΑ 1- ΘΕΣΗ ΤΩΝ ΤΜΗΜΑΤΩΝ ΠΡΙΝ ΤΗΝ ΑΝΑΣΤΡΟΦΗ ΤΗΣ ΠΟΡΤΑΣ

ΕΙΚΟΝΑ 2.- ΘΕΣΗ ΤΩΝ ΤΜΗΜΑΤΩΝ ΜΕΤΑ ΤΗΝ ΕΠΕΜΒΑΣΗ ΑΝΑΣΤΡΟΦΗΣ

**Καθαρίστε τις εξωτερικές επιφάνειες με ένα μαλακό πανί**

**Μακροχρόνια απουσία**

- 1.-Αδειάστε το ψυγείο.
- 2.-Αποσυνδέστε το ψυγείο από το δίκτυο ηλεκτρικής ενέργειας.
- 3.-Αποψύξτε το ψυγείο και καθαρίστε το εσωτερικό της συσκευής.
- 4.-Εάν η συσκευή πρόκειται να μείνει για μεγάλο χρονικό διάστημα εκτός λειτουργίας αφήστε την πόρτα ανοικτή ώστε να μην μouxλιάσει, μυρίσει ή οξειδωθεί το εσωτερικό της.
- 5.-Καθαρίστε καλά

Το εσωτερικό του χώρου χαμηλής θερμοκρασίας (όπου υφίσταται)

Καθαρίστε τακτικά τον θάλαμο της συντήρησης με ένα βρεγμένο σφουγγάρι και ουδέτερο απορρυπαντικό. Ξεβγάλτε και στεγνώστε με ένα μαλακό πανί.

Μην χρησιμοποιείτε λειαντικές σκόνες, χλωρίνη ή ξύδι ασετόν ή άλλες ουσίες αφαίρεσης λεκέδων.

**Αντικατάσταση των λαμπτήρων**

Πριν ξεκινήσετε τις εργασίες αντικατάστασης των λαμπτήρων αποσυνδέστε την συσκευή από το δίκτυο ηλεκτρικής ενέργειας.

Πιέστε τα γλωσσάκια που βρίσκονται στο πλάι του καλύμματος του λαμπτήρα και αφαιρέστε τον λαμπτήρα.

Αντικαταστήστε τον λαμπτήρα με ένα άλλο μέγιστης ισχύος 10W

Τοποθετήστε το κάλυμμα στην θέση του και περιμένετε 5 λεπτά πριν συνδέσετε την συσκευή με το δίκτυο.



1.-Εάν το ψυγείο δεν λειτουργεί :

Βεβαιωθείτε ότι δεν έχετε διακοπή ρεύματος

Βεβαιωθείτε ότι η πρίζα παροχής είναι σωστά τοποθετημένη στο φως στον τοίχο.

Βεβαιωθείτε ότι δεν έχει καεί η ασφάλεια

2.- Εάν η θερμοκρασία ψύξης είναι πολύ ψιλή

Ελέγξτε ότι ο επιλογέας θερμοκρασίας είναι σωστά ρυθμισμένος

Εάν τα τρόφιμα που περιέχουν πολύ υγρασία τοποθετηθούν πολύ κοντά στους αγωγούς κρύου αέρα είναι πιθανόν να παγώσουν. Αυτή η κατάσταση δεν υποδηλώνει βλάβη.

3.- Εάν η θερμοκρασία ψύξης είναι πολύ χαμηλή

Τα τρόφιμα είναι πολύ κοντά το ένα στο άλλο και παρεμποδίζουν την κυκλοφορία του αέρα

Έχετε τοποθετήσει πολύ ζεστά τρόφιμα ή μεγάλη ποσότητα μέσα στο ψυγείο

Δεν έχετε κλείσει σωστά την πόρτα

Οι ταιμούχες της πόρτας έχουν φθαρεί

Ο αερισμός της συσκευής είναι ανεπαρκής

Η συσκευή έχει τοποθετηθεί πολύ κοντά στο τοίχο -δεν υπάρχει επαρκές κενό μεταξύ των πλευρών της συσκευής και των επίπλων που βρίσκονται τριγύρω της (κακός αερισμός)

Λάθος ρύθμιση του επιλογέα θερμοκρασίας

4.- Εάν κατά την διαδικασία απόψυξης το νερό από τους πάγους κυλά στο πάτωμα

Ελέγξτε τον αγωγό και την οπή αποχέτευσης της συσκευής. Βεβαιωθείτε ότι η λεκάνη συλλογής νερού είναι σωστά τοποθετημένη.

5.- Εάν στις εξωτερικές επιφάνειες της συσκευής συγκεντρώνεται υγρασία:

Αυτό μπορεί να συμβεί είτε γιατί υπάρχει πολύ υγρασία είτε γιατί το περιβάλλον είναι υγρό.

Αυτή η υγρασία είναι όμοια με εκείνη που σχηματίζεται σε ένα ποτήρι στο οποίο βάζουμε κρύο νερό. Στεγνώστε τις επιφάνειες με ένα στεγνό πανί.


6.-Εάν ακούτε ένα θόρυβο όμοιο με το νερό που τρέχει.

Αυτός ο θόρυβος παράγεται από το ψυκτικό υγρό ,δεν πρόκειται για βλάβη

7.-Εάν οι πλευρικές επιφάνειες θερμαίνονται.

Αυτό συμβαίνει όταν ανοιγοκλείνουμε συχνά την πόρτα, όταν η θερμοκρασία περιβάλλοντος είναι υψηλή. Δεν πρόκειται για βλάβη μην πειράξετε την επιφάνεια.





Λεπτομερής απεικόνιση των τεχνικών χαρακτηριστικών της συσκευής αναγράφεται στην ετικέτα του κατασκευαστή που βρίσκεται τοποθετημένη στην πλάτη του ψυγείου. Τα τεχνικά χαρακτηριστικά της συσκευής μπορεί να διαφοροποιηθούν.

# VOR INBETRIEBNAHME

Dieses Gerät ist ausschließlich für den häuslichen Gebrauch bestimmt.


**Um Ihr Gerät bestmöglich zu nutzen, lesen Sie die Bedienungsanleitung aufmerksam durch: sie enthält eine Beschreibung des Gerätes und Hinweise zur korrekten Lagerung und Aufbewahrung der Weinflaschen. Bewahren Sie dieses Handbuch zur späteren Benutzung gut auf.**

# VOR INBETRIEBNAHME

## 1. Verpackung

Das Verpackungsmaterial ist zu 100% wiederverwertbar und trägt das Recycling-Symbol. Bitte entsorgen Sie es ordnungsgemäß. Verpackungsmaterialien (Plastikfolie, Styroporteile usw.) können eine Gefahrenquelle für Kinder sein, halten Sie sie daher davon fern.

## 2. Entsorgung/Verschrottung

Das Gerät ist aus recyclefähigen Materialien hergestellt. Dieses Gerät ist entsprechend der EU-Richtlinie 2002/96/EC über Elektro- und Elektronik-Altgeräte (WEEE) gekennzeichnet. Bitte sorgen Sie dafür, dass das Gerät ordnungsgemäß entsorgt wird, damit mögliche negative Auswirkungen auf Umwelt und Gesundheit vermieden werden, die bei einer unsachgemäßen Entsorgung des Altgerätes entstehen könnten. Das Symbol  auf dem Gerät bedeutet, dass dieses Gerät nicht in den normalen Hausmüll gehört, sondern den jeweiligen kommunalen Rücknahmesystemen für Elektround Elektronik-Altgeräte übergeben werden muss. Bevor Sie das Gerät verschrotten, machen Sie es durch Abschneiden des Netzkabels unbrauchbar und entfernen Sie die Tür und die Ablageböden, damit Kinder nicht hinein klettern können. Lassen sie das Altgerät nicht unbeaufsichtigt stehen, auch nicht für kurze Zeit, da es eine potentielle Gefahr für Kinder sein kann. Für nähere Informationen über Entsorgung und

1. Nach dem Auspacken untersuchen Sie das Gerät auf eventuelle Transportschäden hin und prüfen Sie, ob die Tür korrekt schließt. Eventuelle Schäden sind innerhalb von 24 Stunden nach Lieferung dem Händler anzuzeigen.
2. Warten Sie mindestens zwei Stunden, bevor Sie das Gerät einschalten, damit das Kühlsystem sich stabilisieren kann.
3. Stellen Sie sicher, dass die Installation und der elektrische Anschluss von einem qualifizierten Fachmann und im Einklang mit den Herstellerangaben und den geltenden Sicherheitsvorschriften ausgeführt werden.
4. Reinigen Sie das Geräteinnere, bevor Sie das Gerät in Betrieb nehmen.

Recycling dieses Produktes wenden Sie sich bitte an Ihre kommunalen Einrichtungen (Umweltamt) oder an die Abfallentsorgungsgesellschaft Ihrer Stadt bzw. an Ihren Händler.

## Information:

Dieses Gerät ist je nach Ausführung FCKW-frei (Kühlmittel R134a) bzw. FKW-frei (Kühlmittel R600a) (schauen Sie bitte auf dem Typenschild im Geräteinneren nach).

Für Geräte mit Kühlmittel Isobutan (R600a) gilt: Isobutan ist ein umweltfreundliches, aber brennbares Naturgas. Stellen Sie daher sicher, dass die Rohre des Kühlsystems nicht beschädigt werden.

## Konformitätserklärung

. Dieses Gerät ist für die Aufbewahrung von Lebensmitteln bestimmt und entspricht der europäischen Richtlinie (EC) Nr. 1935/2004.



- . Dieses Gerät wurde im Einklang mit folgenden Vorschriften entwickelt, hergestellt und vertrieben:
  - Sicherheitsbestimmungen der Niederspannungsrichtlinie 73/23/EEC;
  - Schutzanforderungen der "EMC"-Richtlinie 89/336/EEC über elektromagnetische Verträglichkeit, ergänzt mit Richtlinie 93/68/EEC.
  - . Die elektrische Sicherheit des Gerätes ist nur gewährleistet, wenn das Gerät an einer ordnungsgemäß geerdeten Anlage angeschlossen ist.



# WICHTIGE SICHERHEITSHINWEISE

Um Ihrem Kühlschrank den bestmöglichen Nutzen abzugewinnen, lesen Sie bitte diese Betriebsanleitung sorgfältig durch, bevor Sie das Gerät installieren und in Betrieb nehmen. Sie enthält wichtige Hinweise über die Installation, die Bedienung und die Sicherheit dieses Gerätes. Bewahren Sie dieses Heft für eine spätere Nutzung und für eventuelle neue Besitzer sorgfältig auf. Bei Fragen oder Unsicherheiten wenden Sie sich an Ihren örtlichen Service

## Installation

- Das Gerät ist schwer. Bitte seien Sie vorsichtig beim Bewegen
- Damit die Sicherheit gewährleistet ist, dürfen keine technischen Änderungen oder sonstige Maßnahmen, welche die Eigenschaften des Produktes verändern, am Gerät vorgenommen werden
- Stellen Sie sicher, dass das Gerät nicht auf dem Netzkabel steht. Sollte das Netzkabel beschädigt sein, muss es durch ein anderes gleichen Typs von einem qualifizierten Techniker des Kundendienstes ausgetauscht werden.
- Jegliche elektrische Arbeit, die zur Installation des Gerätes notwendig sein sollte, muss von einem qualifizierten Elektriker oder durch einen ähnlich kompetenten Fachmann durchgeführt werden.
- Teile, die sich erhitzen, sollten nicht zugänglich sein. Die Rückseite des Gerätes sollte möglichst so an einer Wand angrenzen, dass die Luftzirkulation, wie in der Installationsanleitung angegeben, gewährleistet ist.
- Nachdem das Gerät aufgestellt wurde, warten Sie mindestens zwei Stunden, bevor Sie das Gerät einschalten, damit das Kühlsystem sich stabilisieren kann.

**ACHTUNG:** Das Gerät muss an einem Ort aufgestellt werden, der jederzeit gut belüftet ist.

## Kindersicherheit

- Kinder oder unfähige Personen dürfen das Gerät nur dann unbeaufsichtigt benutzen, wenn sie hinreichend Anweisungen zur sicheren Behandlung des Gerätes erhalten haben und auch um die Gefahren bei unsachgemäßer Handhabung wissen.
- Hindern Sie Kinder daran, mit dem Gerät zu spielen. Lassen Sie Kinder nicht unbeaufsichtigt in der Nähe des Gerätes.

## Sicherheitsmaßnahmen beim Betrieb

- Dieses Gerät ist ausschließlich für den häuslichen Gebrauch konzipiert und ist speziell nur für die Aufbewahrung von Lebensmitteln gedacht.
- Bereits aufgetaute Lebensmittel dürfen nicht wieder eingefroren werden.
- Stellen oder legen Sie keine Getränke mit Kohlensäure in das Gefrierfach.
- Eis am Stiel kann „Frostverbrennungen/Erfrierungen“ verursachen, wenn es direkt nach der Entnahme aus dem Gefrierfach konsumiert wird.
- Entnehmen Sie keine Lebensmittel aus dem Gefrierfach, wenn Sie feuchte oder nasse Hände haben, da dadurch Erfrierungen oder Hautabschürfungen verursacht werden könnten.

## Wartung und Pflege

Schalten Sie das Gerät aus und ziehen Sie den Stecker aus

der Steckdose, bevor Sie das Gerät reinigen oder andere Wartungsmaßnahmen durchführen.

Verwenden Sie keine scharfen Werkzeuge, um die Frostschicht im Gefrierfach abzuschaben (siehe Hinweise zum Abtauen).

**ACHTUNG:** Benutzen Sie keine mechanischen Vorrichtungen, um den Abtauvorgang zu beschleunigen. Das könnte den Kühlkreislauf unwiederbringlich beschädigen. Benutzen Sie niemals elektrische Geräte im Inneren des Kühlgerätes, wenn dies nicht ausdrücklich vom Hersteller empfohlen ist.

## Kundendienst

Das Gerät darf in Servicefall ausschließlich durch einen qualifizierten Kundendienst repariert werden. Achten Sie darauf, dass nur Original- Ersatzteile verwendet werden. Versuchen Sie nicht, das Gerät auf eigene Faust zu reparieren! Eingriffe durch nicht qualifizierte Personen können die Sicherheit des Gerätes beeinträchtigen und zu Fehlfunktionen oder gar Verletzungen führen. Wenden Sie sich an unseren autorisierten Werkskundendienst.

## Altgerätesorgung

**WICHTIG:** Bevor Sie Ihren alten Kühlschrank entsorgen, schalten Sie das Gerät aus und trennen Sie es von der Stromversorgung. Schneiden Sie das Netzkabel durch und machen Sie den Stecker unbrauchbar. Stellen Sie sicher, dass die Tür nicht zufallen kann, gleich, ob sie von innen geöffnet werden kann oder nicht (am besten entfernen Sie diese).

**EIN ALTGERÄT KANN EINE TÖDLICHE GEFAHR FÜR SPIELLENDE KINDER BEDEUTEN!**

**ACHTUNG:** Das Gerät muss im Einklang mit der EU-Richtlinie über die Entsorgung von Elektro- und Elektronikgeräten (WEEE, siehe unten) entsorgt werden. Ihr Gerät enthält das Kühlmittel R600 und brennbares Gas in der verschäumten Isolation.

Dieses Gerät ist entsprechend der EU-Richtlinie 2002/96/CE über Elektro- und Elektronik-Altgeräte (WEEE) gekennzeichnet. Bitte sorgen Sie dafür, dass das Gerät ordnungsgemäß entsorgt wird, damit mögliche negative Auswirkungen auf die Umwelt und die Gesundheit vermieden werden, die bei einer unsachgemäßen Entsorgung des Altgerätes entstehen könnten. Das Symbol auf dem Produkt bedeutet, dass dieses Gerät nicht in den normalen Haushaltsmüll gehört, sondern an die nächste Entsorgungsstelle für Elektro- und Elektronik-Altgeräte abgegeben werden muss. Die Entsorgung muss im Einklang mit den geltenden Umweltrichtlinien für die Abfallentsorgung erfolgen. Für nähere Informationen über die Entsorgung, Wiederverwertung und Recycling dieses Produktes wenden Sie sich bitte an Ihre kommunalen Einrichtungen (Umweltamt) oder an die Abfallentsorgungsgesellschaft Ihrer Stadt oder an Ihren Händler.

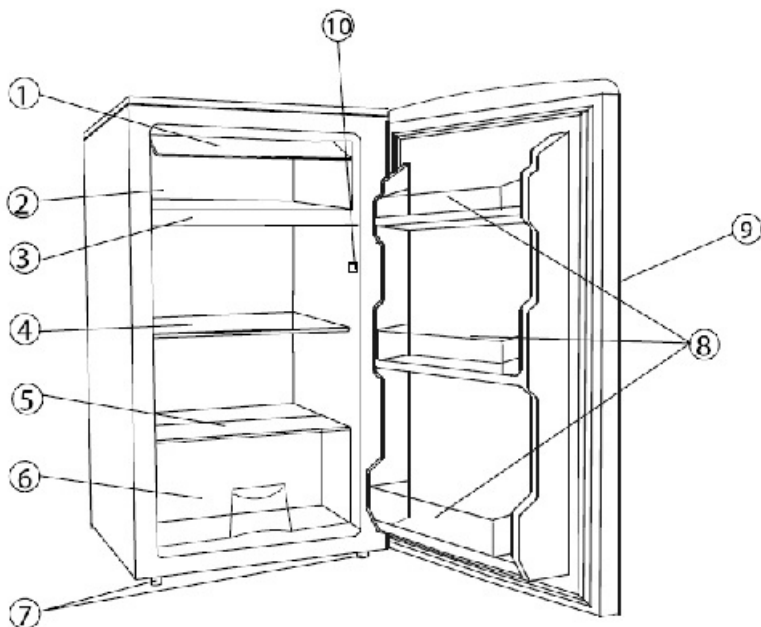
Bitte lesen Sie diese Bedienungsanleitung sorgfältig durch und bewahren Sie sie für eine spätere Benutzung gut auf.



# 1. Benennung der Einzelteile

## EINZELTEILE UND EINRICHTUNG

DEUTSCH



1. Klappe für Gefrierfach
2. Gefrierfach
3. Abtropffach
4. Ablagefläche
5. Glas Abdeckung
6. Gemüsefach
7. höhenverstellbare Füße
8. Türfächer
9. Türgriff
10. Türschalter

# AUFSTELLUNG

## **Belüftung**

Damit die warme Luft gut abgeleitet werden kann und das Gerät effizient und Energie sparend arbeitet, ist eine ausreichende Belüftung unerlässlich. Sehen Sie daher einen ausreichenden Abstand von den Wänden oder den angrenzenden Möbeln um das Gerät vor. So ist hinten ein Abstand von mindestens 100 mm zur Wand freizulassen, an den Seiten von jeweils mindestens 100 mm und oberhalb des Gerätes von nicht weniger als 200 mm. Für das hindernisfreie Öffnen der Tür um 160° sollte ebenfalls ein entsprechender Freiraum berücksichtigt werden.

---

## **Stromanschluss**

Das Gerät ist für den Betrieb mit einer Stromversorgung über Einzelphase im Wechselstrom von 220-240V und 50Hz bzw. 230 V bei 60 Hz Frequenz vorgesehen. Sollte die Stromversorgung so stark schwanken, dass die Spannung die angegebenen Werte übersteigt, ist aus Sicherheitsgründen ein automatischer Wechselstromspannungsregler am Gerät anzuschließen. Das Gerät ist an eine einzelne Steckdose anzuschließen, die nicht von anderen Geräten gemeinsam genutzt wird. Der Stecker muss für eine geerdete Steckdose geeignet sein.

---

## **Netzkabel**

Verwenden Sie keine Verlängerungskabel und vermeiden Sie es auch, das Netzkabel zusammenzurollen, wenn das Gerät in Betrieb ist. Auch darf das Netzkabel an der Rückseite des Gerätes nicht dicht am Kompressor liegen, da sich dieser während des Betriebs stark erhitzt. Durch die hohe Temperatur würde die Isolierung beschädigt werden und Stromverlust wäre die Folge.

---

## **Schutz vor Feuchtigkeit**

Vermeiden Sie es, das Gerät an einen Ort aufzustellen, an dem Feuchtigkeit sich niederschlagen kann, um die Metallteile des Kühlschranks vor Rostbildung zu schützen. Der Kühlschrank darf auch nicht direkt mit Wasser besprüht werden, um dem Risiko von Isolations- und Stromverlust vorzubeugen.

### **Schutz vor Wärme**

Halten Sie das Gerät fern von Wärmequellen und von direkter Sonneneinstrahlung.

---

### **Waagerechte Ausrichtung**

Stellen Sie das Gerät auf einen ebenen und stabilen Boden. Der Boden darf nicht mit weichem Material wie Schaumgummi o.Ä. ausgelegt sein. Richten Sie das Gerät über die entsprechenden Schrauben waagerecht aus, falls es nicht eben steht. Stellen Sie das Gerät nicht in die Nähe von Gegenständen, die Resonanzgeräusche produzieren könnten.

---

### **Fernhalten von Gefahrenquellen**

Es ist dringend davon abzuraten, den Kühlschrank in die Nähe von brennbaren oder leicht entzündlichen Stoffen wie Gas, Benzin, Alkohol, Lack oder Öl usw. aufzustellen. Diese Stoffe dürfen auch nicht im Kühlschrank aufbewahrt werden.

---

### **Transport**

Beim Transport oder an seiner endgültigen Stelle darf das Gerät weder waagerecht hingelegt noch mit mehr als 45

## VORSICHTSMAßNAHMEN

- Das Wasser, das in den Lebensmitteln enthalten ist, oder die Luftfeuchtigkeit, die durch Öffnen der Tür in das Gerät gelangt, können im Gefrierschrank zu einer Frostschrift gefrieren, welche die Kühlung beeinträchtigen kann. Tauen Sie den Gefrierschrank ab, wenn diese Frostschrift dicker als 2 mm ist.
- Das Abtauen erfolgt im Gefrierbereich manuell. Vor dem Abtauen entnehmen Sie das Gefriergut, den Eiswürfelbehälter und die Ablage aus der Gefrierzelle. Stellen Sie dann den Temperaturknopf vorübergehend auf „0“, so dass der Kompressor aufhört zu arbeiten, und lassen Sie die Tür offen, bis die Frostschrift vollständig aufgetaut ist. Wischen Sie das Wasser ab und trocknen Sie sorgfältig mit einem weichen Tuch. Um das Abtauen zu beschleunigen, können Sie einen Behälter mit warmem Wasser (ca. 50°C) in die Gefrierzelle stellen. Nach dem Abtauen stellen Sie sicher, dass der Temperaturknopf wieder auf die ursprüngliche Position gestellt wird.
- Es ist dringend davon abzuraten, die Gefrierzelle direkt mit heißem Wasser zu begießen oder mit einem Haartrockner aufzuheizen, da sonst das Innengehäuse dadurch deformiert werden könnte.
- Benutzen Sie niemals scharfe Gegenstände wie Messer, Schaber o. Ä., um die Eisfläche oder die Frostschrift abzukratzen oder die am Gefrierschrankboden haftenden Behältnisse mit Gefriergut zu trennen. Das könnte das Innengehäuse oder gar die Oberfläche des Verdampfers unwiederbringlich beschädigen.
- Sollte das Netzkabel des Gerätes beschädigt werden, ist dieses durch einen gleichen Typs zu ersetzen. Die Arbeiten dürfen nur von einem autorisierten Werkskundendienst durchgeführt werden, da hierfür spezielles Werkzeug notwendig ist.

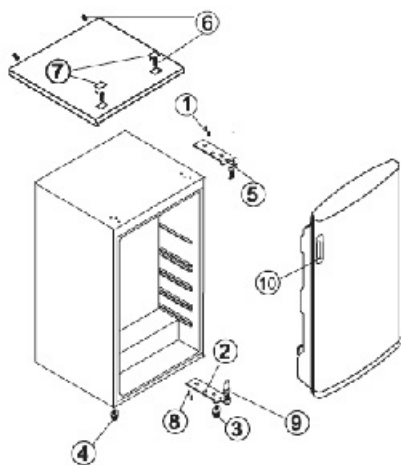
## 4. Wechseln des Türanschlages

Um die Türöffnung von rechts nach links zu wechseln, folgen Sie bitte den untenstehenden Anweisungen:

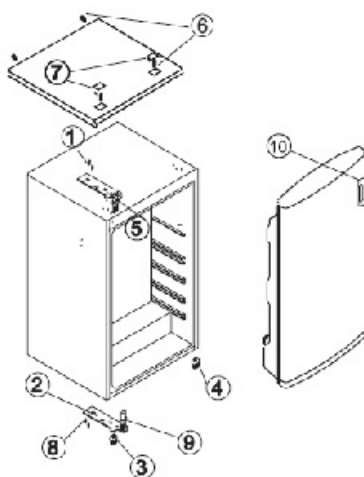
1. Entfernen Sie die kleinen Plastikabdeckungen (7) und die Schrauben (6), welche die Arbeitsplatte fixieren und nehmen Sie diese vom Gerät.
2. Lösen Sie die 2 Schrauben (8), welche das obere Scharnier im Rahmen halten (5) (rechts), und entfernen Sie das obere Scharnier.
3. Heben Sie die Tür ab und legen Sie sie auf eine weiche Unterlage, um Kratzer zu vermeiden.
4. Lösen Sie die 2 Schrauben (8), welche das untere Scharnier halten (2) und entfernen Sie dieses.
5. Lösen Sie das linke Füßchen (4) und bringen Sie es auf der rechten Seite an.
6. Vor Einsetzen des unteren Scharniers (2), entfernen Sie den Bolzen (9) and ändern Sie die Richtung des unteren Scharniers (2). Dann installieren Sie dieses (2) auf der linken Seite des unteren Rahmens mit zwei Schrauben (8).
7. Setzen Sie den Bolzen (9) ins untere Scharnier (2).
8. Setzen Sie die Tür im unteren Scharnier ein (2).
9. Halten Sie die Tür in geschlossener Position, sichern Sie das obere Scharnier (5) im Rahmen auf der linken Seite mit zwei Schrauben (1). Bitte beachten Sie, dass Sie diese zwei Schrauben (1) nicht allzu fest anziehen bis der obere Teil der Tür mit dem oberen Kante des Kühlschranks gleich hoch ist.
10. Montieren Sie die Arbeitsplatte oben mit den Schrauben (6) und setzen Sie die Plastikabdeckungen (7) ein.
11. Wechseln Sie den Türgriff (10) von der linken auf die rechte Seite.



## 4. Wechseln des Türanschlages



**ABBILDUNG 1**



**ABBILDUNG 2**

ABBILDUNG 1 - Zeigt die Positionen der Einzelteile vor Wechseln des Türanschlages

ABBILDUNG 2 - Zeigt die Positionen der Einzelteile nach Wechseln des Türanschlages

## 5. PROBLEMLÖSUNG

Sollten Ihnen beim Betrieb des Gerätes einmal Unregelmäßigkeiten auffallen, lesen Sie bitte zunächst die nachfolgenden Anweisungen durch, bevor Sie den Kundendienst anrufen. Viele Symptome lassen sich selbst beheben.

1. Das Gerät funktioniert nicht

- Der Stecker ist nicht in der Steckdose
- Die Sicherung hat ausgelöst
- Der Strom ist ausgefallen

2. Das Gerät kühlt zu stark

- Der Temperaturregler ist zu hoch eingestellt
- Wenn Lebensmittel mit hohem Feuchtigkeitsgehalt direkt unter die Auslassöffnungen der Kaltluft gestellt werden, können sie leicht gefrieren. Das ist kein Hinweis auf eine Fehlfunktion des Gerätes.

3. Das Gerät kühlt nicht ausreichend

- Das Kühlgut liegt zu dicht beieinander, und verhindert so die Zirkulation der Kaltluft.
- Eine große Menge von frischen oder warmen Lebensmitteln wurde in den Kühlschrank gestellt.
- Die Tür schließt nicht richtig
- Die Türdichtung ist beschädigt
- Das Gerät ist nicht ausreichend belüftet
- Das Gerät hat nicht die erforderlichen Abstände zu den Seitenwänden und zur Decke hin

4. Das Abtauwasser tropft ins Innere des Gerätes und auf den Boden

- Prüfen Sie, dass die Abflusssrinne nicht verstopft ist und der Abflussschlauch nicht eingeklemmt ist
- Prüfen Sie, dass die Abtauschale richtig sitzt

5. Kondenswasser bildet sich außen am Gerät

- Kondenswasser kann sich an der Außenseite des Gerätes bilden, wenn die Luftfeuchtigkeit sehr hoch ist, besonders während der feuchten Jahreszeiten. Das ist das gleiche Phänomen wie das, wenn kaltes Wasser in ein Glas gegeben wird, und stellt keinen Fehler dar, sondern ist völlig normal. Wischen Sie das Wasser einfach mit einem trockenen Tuch ab.

6. Gurgelgeräusche sind zu hören

- Rassel- oder Gurgelgeräusche werden durch das Fließen der Kühlflüssigkeit erzeugt. Das ist völlig normal und kein Indiz einer Fehlfunktion.

7. Die Seitenwände des Gehäuses heizen sich auf

- Die Seitenwand des Gehäuses heizt sich auf, wenn das Gerät in Betrieb genommen wird, wenn die Tür häufig geöffnet und wieder geschlossen wird, oder auch wenn das Gerät bei sehr hoher Umgebungstemperatur arbeiten muss, z.B. im Sommer oder in schlecht belüfteten Räumen. Die Wärme aus dem Inneren des Gehäuses wird so nach außen abgeleitet, das ist kein Zeichen einer Fehlfunktion des Kühlschranks.

## ПЕРЕД ВВЕДЕННЯМ ПРИЛАДУ В ЕКСПЛУАТАЦІЮ

- Даний пристрій призначений для використання в домашніх умовах.

Просимо уважно ознайомитися з даною інструкцією, щоб правильно і швидко зрозуміти роботу нового пристрою. Підкресліть ті елементи, які у вашому розумінні є особливо важливими. Зберігайте цю інструкцію так, щоб в майбутньому можна було її ще раз прочитати, а також, у випадку передачі пристрою іншим особам, передати його разом з даною інструкцією.

1. Після того як Ви розпакували прилад, переконайтеся, що його не було пошкоджено під час транспортування. У разі виявлення будь-яких пошкоджень, зверніться до торгової організації протягом 24 годин.
2. Для гарантованого забезпечення правильного функціонування приладу зачекайте 2 години до того, як під'єднати його до головного джерела живлення.
3. Перш ніж під'єднати прилад до мережі електроживлення слід упевнитися, що значення напруги на щитку відповідає напрузі електричної мережі у Вашому помешканні.
4. Після встановлення добре вимийте внутрішні елементи теплою водою з оцтом.

## ПЕРЕД ВИКОРИСТАННЯМ ПРИЛАДУ

### 1. Упаковка

Пакування приладу на 100% виконано з матеріалу, який слід утилізувати.

2. Цей прилад має маркування згідно з Європейською Директивою 2002/96/ЄС щодо відпрацьованого електричного та електронного устаткування (WEEE). Відповідна утилізація відпрацьованого продукту сприяє уникненню потенційно шкідливих для здоров'я людей і навколишнього середовища наслідків, причиною яких є неналежна утилізація відпрацьованого продукту.



Таке маркування вказує на те, що цей прилад не можна трактувати як комунальні відходи.

Продукт слід передати до відповідного пункту, який збирає електричне та електронне устаткування з метою рециклінгу.

Утилізація має проводитися згідно з місцевими нормативами щодо охорони навколишнього середовища, які стосуються утилізації відходів. Більш докладну інформацію на тему поводження, регенерації та рециклінгу цього продукту можна отримати в місцевих органах, комунальних службах або в магазині, у якому продукт був придбаний.

### ІНФОРМАЦІЯ


Якщо у Вашій моделі використано холодоагент ізобутан R600a (інформація знаходиться на щитку всередині приладу), який є природним та нешкідливим для навколишнього середовища, проте легкозаймистим газом, потрібно дотримуватися заходів безпеки під час

транспортування та монтажу приладу таким чином, щоб не пошкодити жодний з елементів охолоджувального контуру. Якщо, незважаючи на запобіжні заходи, трапиться пошкодження, то необхідно уникати відкритого полум'я та джерел займання, а також провітрити приміщення на декілька хвилин.

### ДЕКЛАРАЦІЯ ВІДПОВІДНОСТІ

Виробник нижчеописаного пристрою, про який йдеться далі, заявляє виключно на власну відповідальність, що цей продукт відповідає основним вимогам щодо безпеки та охорони здоров'я, викладеним у відповідних постановах ЄС, а також на вимогу відповідних органів влади доступними є результати тестів, які можуть вимагатися від продавця пристроїв, особливо по відношенню до Декларації відповідності CE, опублікованої виробником або за згодою виробника. **CE**

Додатково виробник заявляє, що описані в цій інструкції елементи пристрою, які безпосередньо використовуються у роботі зі свіжими харчовими продуктами, не містять жодних токсичних речовин.

 Цей пристрій відповідає сучасним вимогам правил безпеки. Також доводимо до Вашого відома, що цей виріб сертифікований згідно з вимогами безпеки органом по сертифікації промислової продукції Державним комітетом України з питань технічного регулювання та споживчої політики державна система сертифікації УкрСЕПРО.



# Інструкції з техніки безпеки

Ця техніка призначена тільки для зберігання продуктів. Будь-яке інше використання вважається небезпечним, і виробник не несе відповідальність за будь-які збитки, пов'язані з таким використанням.

## ВСТАНОВЛЕННЯ

Техніку необхідно установити таким чином, щоб завжди була можливість дістатися мережевого штепселя.

У разі пошкодження мережевого шнуру, його необхідно замінити, звернувшись до виробника, сервісного агента або персоналу аналогічної кваліфікації. Це забезпечить уникнення негативних наслідків.

Перед підключенням приладу до мережі, переконайтеся, що напруга на табличці технічних даних відповідає напрузі в Вашому домі. Табличка технічних даних знаходиться всередині приладу, в лівому нижньому куті холодильної камери.

Виробник не несе відповідальність за будь-яку шкоду, спричинену незаземленою системою електропроводки.

Після того, як Ви встановили холодильник, почекайте, принаймні, дві години, перед тим як його включити.

## РЕКОМЕНДАЦІЇ

- Не зберігати у морозильній камері скляні пляшки або банки з рідиною (особливо газовані напої). Пляшки та банки можуть лопнути у процесі заморожування.

- Напої з високим вмістом спирту щільно закрити і зберігати в морозильній камері у вертикальному положенні.

- Уникайте контакту з охолоджувальними поверхнями, особливо мокрими руками. Це може призвести до опіків або поранень.

- Не слід класти до рота заморожені продукти та лід одразу після того, як їх витягнули з морозильної камери.

## Чищення

Регулярно протирайте зовнішню поверхню холодильника вологою тканиною. Для чищення внутрішньої поверхні використовуйте розчин харчової соди і води. Не використовуйте абразивні засоби для чищення.

Відливний отвір розташовується в центрі задньої частини холодильника. Не блокуйте цей отвір та регулярно очищуйте його.

## Застереження

• Не використовуйте адаптери та розгалужувачів, які можуть зумовити перегрівання і навіть займання приладу.

• Для під'єднання приладу не можна використовувати старі, деформовані кабелі живлення.

• Не можна згинати або скручувати кабелі живлення.

• Не дозволяйте дітям бавитися з приладом. Прослідкуйте, щоб діти В ЖОДНОМУ РАЗІ не сідали на полиці/ящики та не спиралися на дверцята приладу.

• Не застосовувати гострі металеві предмети для видалення шарів інею з камери морозильника, оскільки вони можуть пошкодити систему охолодження і спричинити пошкодження, які не підлягатимуть ремонту. Для видалення інею слід використовувати пластиковий скребок, який постачається разом із приладом.

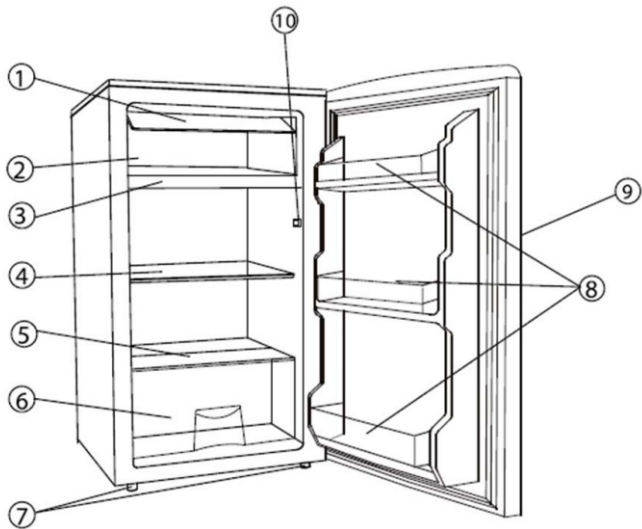
• Не під'єднуйте прилад до мережі електроживлення мокрими руками.

Даний пристрій не призначений для використання особами (дітьми) з обмеженими фізичними, чуттєвими або психічними можливостями, або особами, які не мають досвіду або не ознайомлені з пристроєм, експлуатація може відбуватися під наглядом або згідно з інструкцією експлуатації пристрою, переданою особами, які відповідають за їхню безпеку. Слід звертати увагу на дітей, щоб вони не гралися з пристроєм.



Будь-ласка прочитайте уважно дану інструкцію.

# ОПИС ПРОДУКТУ



1. Дверцята морозильної камери.
2. Морозильна камера
3. Резервуар для стоку води
4. Полиці холодильного відділення
5. Скляна полиця над ящиком для овочів
6. Ящик для овочів
7. Ніжки, що регулюються
8. Дверні полиці
9. Ручка
10. Дверний вимикач

# ПРАВИЛЬНЕ ВСТАНОВЛЕННЯ

## Належна вентиляція

При встановленні приладу слід забезпечити хорошу вентиляцію повітря, це забезпечить вищу продуктивність роботи та знизить споживання електроенергії. Відстань між стіною та холодильником має бути не менша ніж 100 мм, бокова відстань між іншими предметами також має перевищувати 100мм, зверху відстань має бути не менше ніж 200 мм. Також слід залишити простір для відкривання дверцят 160°.



## Електричне під'єднання

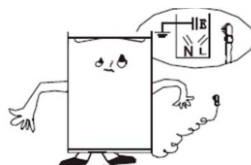
Під'єднайте прилад до мережі з напругою 220-240Вт і частотою 50Гц, або 230Вт і частотою 60Гц.

Перш ніж під'єднати прилад до мережі електроживлення слід упевнитися, що значення напруги на щитку відповідає напрузі електричної мережі у Вашому помешканні.



## Шнур живлення

Не використовуйте адаптери та подовжувачі, які можуть зумовити перегрівання і навіть займання приладу. Прослідкуйте, щоб шнур не торкався до компресора, температура якого є досить високою. Це може спричинити пошкодження ізоляції.



## Захист від вологи

Задля запобіганні появи корозії, не ставте прилад в приміщенні з високим рівнем вологи. Забороняється виливати воду на прилад, щоб не було короткого замикання.



### Захист від перегрівання

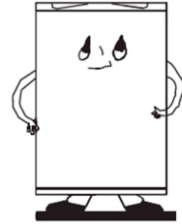
Слід уникати високої температури та прямого сонячного світла. Рекомендуємо встановлення пристрою в холодному, сухому, добре провітрюваному приміщенні. Установка близько до джерела тепла (обігрівачів, плит і т.д.) є категорично неправильною (оскільки це призведе до перенавантаження компресора, а відповідно до значного підвищення споживання електроенергії).



---

### Належна фіксація

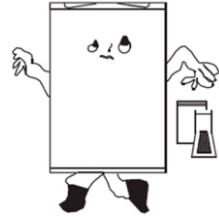
Встановіть прилад на горизонтальній поверхні у стабільне та рівне положення. З цією метою слід використати дві передні ніжки, які допомагають знівелювати нерівності підлоги.



---

### Подаль від небезпеки

Не рекомендовано встановлювати прилад біля таких легкозаймистих речовин, як газовий балон, канистра з бензином, резервуар з пальмовою олією і т.д.



---

### Транспортування

При транспортуванні холодильник не можна нести в горизонтальному положенні або під нахилом більше ніж 45°, або дотори низом.



## УВАГА!

❖ Волога, яка міститься всередині продуктів чи яка потрапляє в середину при відкриванні дверцят, може утворювати іній на стінках холодильника. Товстий шар льоду може зменшити ефективність роботи приладу. Коли наліт буде більше 2 мм, холодильник слід розморозити.

❖ Рекомендується розморозувати холодильник кожен раз, коли утворюється товстий шар інею. Для прискорення процесу розморозування залиште дверцята холодильника відкритими, а саму техніку вимкніть. Для видалення льоду з внутрішньої частини не використовуйте гострі або механічні предмети (ножі, ножиці або будь-які інші предмети, крім рекомендованих заводом-виробником). Це допоможе запобігти пошкодженню контуру циркуляції хладагенту.

ПРИМІТКА: невелика кількість льоду на задній панелі холодильника є нормальним явищем.

❖ Не рекомендовано при розмороженні морозильної камери використовувати гарячу воду чи фен, це може призвести до деформації внутрішніх частин камери.

❖ Завжди витягуйте мережевий штепсель з розетки, перед тим як почати чистити/розморозувати холодильник, або перед тим як змінити лампочку і т.д.

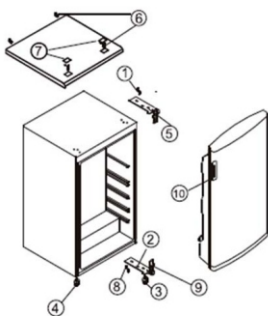
❖ У разі пошкодження мережевого шнуру, його необхідно замінити, звернувшись до виробника, сервісного агента або персоналу аналогічної кваліфікації. Це забезпечить уникнення негативних наслідків.



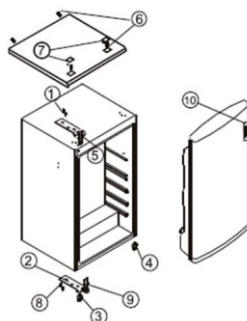
## ПЕРЕНАВІШУВАННЯ ДВЕРЦЯТ

На заводі дверні петлі встановлюються з правої сторони, для того що змінити напрямок відкриття дверцят виконайте наступні дії:

1. Вийміть пластикові заглушки (7) та гвинти (6), які фіксують верхню кришку.
2. Відгвинтіть два гвинта (1), що фіксують верхню петлю (5). Зніміть петлю.
1. Припідніміть дверцята та підтримуйте, щоб вони не подряпалися.
2. Відгвинтіть два гвинта (8), які тримають нижню петлю (2). Зніміть петлю.
3. Зніміть ліву передню ніжку (4) і перемістіть її на праву сторону.
4. Перед встановленням нижньої петлі (2) зніміть фіксуючий гвинт (9) і змініть напрямок петлі. Потім встановіть нижню петлю (2) з іншої сторони на пригвинтіть гвинтом (8).
5. Вставте фіксуючий гвинт (9) в нижню петлю (2).
6. Встановіть дверцята, переконавшись, що вони зафіксовані ні нижній петлі.
7. Підтримуючи дверцята та встановіть верхню петлю (5), зафіксуйте петлю гвинтами (1).
8. Встановіть верхню кришку за допомогою гвинтів (6). Та вставте заглушки (7).
9. Перевісьте дверну ручку (10).



Мал. 1



Мал. 2

На малюнку 1 зображено початковий етап.

На малюнку 2 зображено завершальний етап.

## ЧИЩЕННЯ ТА ДОГЛЯД

- **Перед очищенням прилад необхідно від'єднати від мережі електроживлення.**
- Не очищуйте прилад, поливаючи його водою.
- Морозильну камеру приладу слід періодично очищувати розчином двовуглекислої соди та теплої води.
- Аксесуари слід мити окремо, використовуючи мильну воду. Не мийте аксесуари у посудомийній машині.
- Не використовуйте для миття абразивні миючі засоби, детергенти або мило. Після очищення сполосніть чистою водою і витріть насухо. Після завершення миття під'єднайте штепсель приладу до розетки. Зверніть особливу увагу на те, що робити це необхідно сухими руками.
- Для економії енергії та більшої продуктивності роботи приладу конденсатор, розміщений позаду приладу, потрібно очищати віничком один раз на рік.

### Заміна лампочки в холодильнику

Для заміни лампочки, вимкніть прилад з розетки. За допомогою пласкої викрутки підніміть решітку і зніміть прозору кришку. Викрутіть лампочку і замініть її лампочкою того ж типу і тієї ж напруги (макс. 10 вт). Встановіть кришку назад і через 5 хвилин увімкніть прилад.



## Усунення несправностей

Якщо у Вас виникли будь-які труднощі, будь ласка, зв'яжіться з нашою сервісною службою. Проте невеликі або очевидні несправності часто можна вирішити самостійно. Насправді, несправності можуть бути викликані неправильним використанням або установкою або непридатними зовнішніми умовами, і в цих випадках відповідальність за усунення несправностей залишається за Вами.

### **ХОЛОДИЛЬНИК НЕ ПРАЦЮЄ**

- Переконайтеся, що мережевий штепсель вставлений в розетку до кінця.
- Переконайтеся, що терморегулятор не встановлений в положенні «0» або Стоп.
- Переконайтеся, що є електроживлення.

### **ТЕМПЕРАТУРА В ХОЛОДИЛЬНИКУ НЕДОСТАТНЬО НИЗЬКА**

- Переконайтеся, що терморегулятор встановлений правильно. Встановіть більш низьку температуру.
- Переконайтеся, що двері холодильника не були залишені відкритими надто довго.
- Переконайтеся, що Ви не зберігаєте занадто багато продуктів у холодильнику.
- Переконайтеся, що Ви не поклали гарячі продукти в холодильник.

### **ЗНАДТО БАГАТО ІНЕЮ**

- Переконайтеся, що двері холодильника не були залишені відкритими надто довго. Вимкніть холодильник, розморозьте, а потім увімкніть його знову.
- Переконайтеся, що терморегулятор не встановлений на занадто низькій температурі. Встановіть більш високу температуру.

### **ЗНАДТО БАГАТО КОНДЕНСАЦІЇ**

- Переконайтеся, що двері холодильника не були залишені відкритими надто довго.
- Переконайтеся, що Ви не зберігаєте занадто багато продуктів у холодильнику.
- Переконайтеся, що Ви не поклали гарячі продукти в холодильник.

### **ВОДА В МОРОЗИЛЬНІЙ КАМЕРІ**

- Кілька крапель води на стінках холодильника є нормальним явищем, особливо якщо в кімнаті підвищена вологість.
- Переконайтеся, що відливний отвір не заблоковано.

### **ОСВІТЛЕННЯ НЕ ПРАЦЮЄ**

- Переконайтеся, що мережевий штепсель вставлений в розетку до кінця.
- Переконайтеся, що є електроживлення.
- Щоб зняти лампочку, дотримуйтесь інструкцій, що містяться в технічному описі приладу або в даному керівництві.

Якщо проблема не була усунена, зверніться в нашу сервісну службу, вказавши номер приладу і серійний номер з таблички технічних даних.

## 7. ТЕХНІЧНІ ДАНІ

\*Деталі щодо технічних особливостей приладу, можна знайти на табличці на задній стінці холодильника.

\* Виробник має право вдосконалювати технічні особливості не попереджаючи про це.

Шановні клієнти, разом з інструкцією по експлуатації, ми рекомендуємо прочитати вказівки зазначені в цьому інформаційному листі. Тут вказана інформація з техніки безпеки та користування шкалою температури повітря. Якщо в Вашому приладі бракує шкали температури повітря зверніться до продавця.

### 1. Найхолодніша зона в холодильному відділенні

Даний символ позначає найхолоднішу зону в холодильному відділенні.

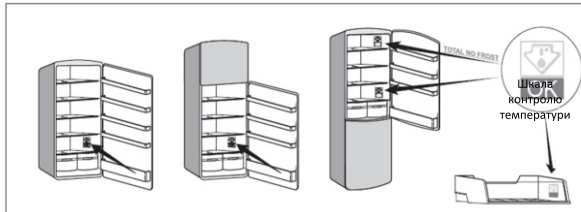


### 2. Індикатор температури повітря

Щоб допомогти Вам правильно налаштувати Ваш холодильник, ми додаємо шкалу регулювання температури, яка буде визначати температуру в зоні, яка має бути найхолоднішою.

УВАГА: Індикатор був розроблений для застосування тільки в даній моделі. Його не можливо використовувати в інших холодильниках, чи для якихось інших цілей.

#### ЗОНА КОНТРОЛЮ TEMПЕРАТУРИ



#### КОНТРОЛЬ TEMПЕРАТУРИ

Використовуючи регулятор температури повітря у Вас буде можливість постійно контролювати, щоб температура самої холодної була на належному рівні. Якщо шкала нічого не показує, то необхідно змінити положення термостата.

Температура в кімнаті та частота відкриття холодильного відділення впливають на температуру в середині холодильника.

Щоб підтримувати потрібну температуру, слідкуйте за тим, щоб шкала була зеленого кольору. (мал.1)

Якщо шкала контролю температури стала білого кольору (мал.2), це означає, що температура надто висока. Потрібно переналаштувати термостат і через 12 годин перевірити шкалу ще раз.

Після вимкнення приладу з мережі або при відкритих дверцятках шкала почне біліти.



Мал. 1



Мал. 2

### 3. ПРАВИЛА ЗБЕРІГАННЯ ПРОДУКТІВ ТА ПРАВИЛА КОРИСТУВАННЯ ХОЛОДИЛЬНИКОМ

Правильне користування холодильником, збільшить термін зберігання ваших продуктів.

Для уникнення появи бактерій регулярно протирайте в середині холодильного відділення м'якою тканиною та водою з додаванням антибактеріальних речовин.

Перш ніж покласти продукти до холодильника, завжди знімайте зовнішню упаковку (наприклад картонну упаковку з йогуртів). Щоб уникнути взаємного забруднення завжди обгортайте кожен продукт окремою плівкою.

Ніколи не кладіть до холодильника кухонне приладдя, яким вже користувалися і не помили (наприклад ножі, виделки на яких є шматочки їжі).

Покладіть продукти так, щоб забезпечити належну циркуляцію повітря.

Продукти розміщайте відповідно від їх природного походження та особливостей. В зону найбільшого охолодження слід класти наступні продукти: м'ясо, птиця, сосиски, приготовані страви, салати, яйця, молочні продукти, тісто, піца, сир, овочі та всі ті продукти, які мають зберігатися при температурі +4° або нижче.





## Безпека дітей та людей з обмеженими можливостями

Українська:

Даний пристрій не призначений для використання особами (дітьми) з обмеженими фізичними, чуттєвими або психічними можливостями, або особами, які не мають досвіду або не ознайомлені з пристроєм, експлуатація може відбуватися під наглядом або згідно з інструкцією експлуатації пристрою, переданої особами, які відповідають за їхню безпеку.

Слід звертати увагу на дітей, щоб вони не гралися з пристроєм.



## Обережно: ризик займання

Якщо у Вашій моделі використано холодоагент ізобутан R600a (інформація знаходиться на щитку всередині приладу), який є природним та нешкідливим для навколишнього середовища, проте легкозаймистим газом, потрібно дотримуватися заходів безпеки під час транспортування та монтажу приладу таким чином, щоб не пошкодити жодний з елементів охолоджувального контуру. Якщо, незважаючи на запобіжні заходи, трапиться пошкодження, то необхідно уникати відкритого полум'я та джерел займання, а також провітрити приміщення на декілька хвилин.

**УВАГА** – не зберігайте в холодильнику вибухонебезпечні предмети, такі як аерозолі.

