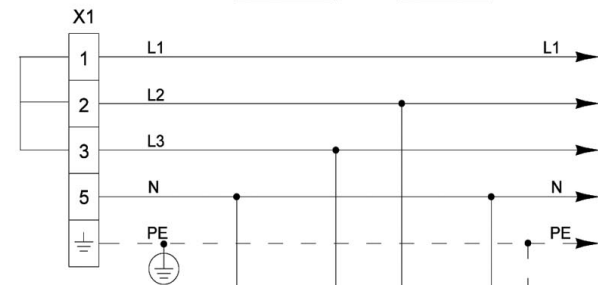
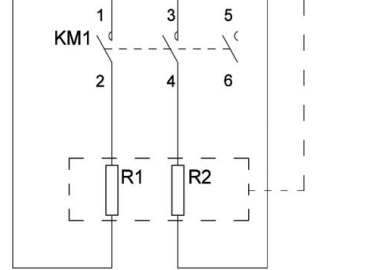
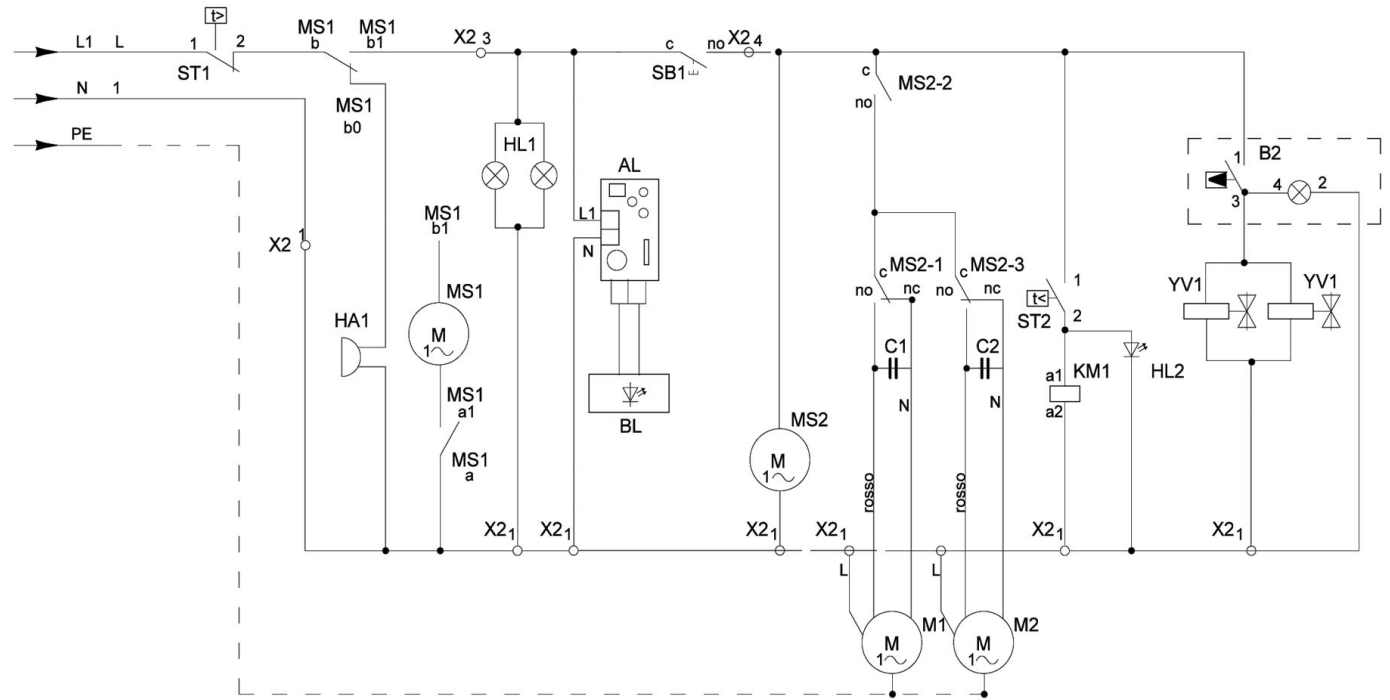
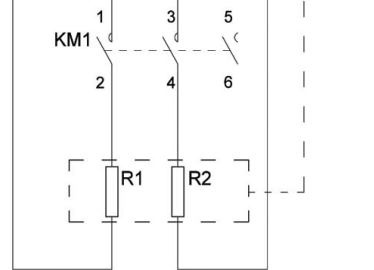


~ 400V 3N 50/60Hz



~ 230V 50/60Hz



## GB

AL TRANSFORMER  
 C1 CAPACITOR  
 C2 CAPACITOR  
 BL BACK LIGTH -  
 B2 HUMIDITY REGULATION  
 HA1 BUZZER  
 HL1 HALLOGEN LAMP  
 HL2 LIGHT THERMOSTAT  
 KM1 ELEMENTS CONTACTOR  
 M1 MOTOR FAN  
 M2 MOTOR FAN  
 MS1 TIMER  
 MS2 REVERSING SWITCH  
 R1-R2 HEATING ELEMENT  
 SB1 DOOR SWITCH  
 ST1 SAFETY THERMOSTAT  
 ST2 COKING THERMOSTAT  
 X1 SUPPLY TERMINAL BOARD  
 X2 BRANCH TERMINAL BOARD  
 YV1-2 SOLENOID VALVE HUMIDIFIER

## FR

AL TRANSFORMATEUR  
 C1 CONDENSATEUR  
 C2 CONDENSATEUR  
 BL BACK LIGTH -  
 B2 REGULATEUR UMIDIFICATION  
 HA1 AVERTISSEUR ACOUSTIQUE  
 HL1 HALLOGENE LAMPE  
 HL2 LAMPE THERMOSTAT  
 KM1 CONTACTEUR RESISTENCE  
 M1 MOTEUR  
 M2 MOTEUR  
 MS1 TEMPORISATEUR  
 MS2 INVERSEUR  
 R1-R2 RESISTANCE  
 SB1 MICRO PORTE  
 ST1 THERMOSTAT DE SECURITE  
 ST2 THERMOSTAT MOUFLE  
 X1 BORNE ALIMENTATION  
 X2 BORNE DE DERIVATION  
 YV1-2 ELECTROVANNE HUMIDIFICATEUR

## DE

AL TRANSFORMATOR  
 C1 KONDENSATOR  
 C2 KONDENSATOR  
 BL HINTERGRUNDBELEUCHTUNG  
 B2 BASCHWADUNGSREGULATOR  
 HA1 ALLARMSUMMER  
 HL1 HALOGENBELEUCHTUNG  
 HL2 KONTROLLLAMPE  
 KM1 HEIZKÖRPERSCHUTZ GARRAUM  
 M1 MOTOR  
 M2 MOTOR  
 MS1 TIMER  
 MS2 POLWENDER  
 R1-R2 HEIZKÖRPER  
 SB1 TÜRKONTAKTSCHALTER  
 ST1 SICHERHEITSTHERMOSTAT  
 ST2 THERMOSTAT  
 X1 VERSORGUNGSKLEMMLEISTE  
 X2 ABZWEIGUNGSKLEMMLEISTE  
 YV1-2 MAGNETVENTIL BESCHWADUNG

## ES

AL TRANSFORMADOR  
 C1 CONDENSATOR  
 C2 CONDENSATOR  
 BL BACK LIGTH -  
 B2 REGULATION UMIDIFICACION  
 HA1 SONERIA  
 HL1 LAMPARA  
 HL2 LAMPE THERMOSTATO  
 KM1 CONTACTOR RESISTENCIA  
 M1 MOTOR  
 M2 MOTOR  
 MS1 TEMPORISADOR  
 MS2 INVERSOR ROTACION MOTOR  
 R1-R2 RESISTANCIA  
 SB1 MICRO PUERTA  
 ST1 THERMOSTATO DE SEGURIDAD  
 ST2 THERMOSTATO  
 X1 REGLETE DE ALIMENTACION  
 X2 REGLETE DE DERIVACION  
 YV1-2 ELECTROVALVULA HUMIDIFICADOR

## IT

AL ALIMENTATORE  
 C1 CONDENSATORE  
 C2 CONDENSATORE  
 BL BACK LIGTH - RETROILLUMINAZIONE  
 B2 PULSANTE UMIDIFICAZIONE  
 HA1 AVVISATORE ACUSTICO  
 HL1 LAMPADA CELLA  
 HL2 SEGNALETERE SPIA THERMOSTATO  
 KM1 CONTATTORE RESISTENZE  
 M1-M2 MOTORE VENTILATORE  
 MS1 TEMPORIZZATORE  
 MS2 INVERTITORE DI MARCIA  
 R1-R2 RESISTENZA  
 SB1 MICROINTERRUTTORE PORTA  
 ST1 THERMOSTATO DI SICUREZZA  
 ST2 THERMOSTATO DI COTTURA  
 X1 MORSETTIERA DI ALIMENTAZIONE  
 X2 MORSETTIERA DI DERIVAZIONE  
 YV1 ELETTROVALVOLA ACQUA