

CONTAX



RTS III

Instruction manual • Bedienungsanleitung
Mode d'emploi • Manual de instrucciones

Thank you for your purchase of a Contax RTS III. Based on the "Real Time" concept of the Contax RTS series, this Contax camera of the highest class offers, in addition, more sophisticated features such as ultra-fast 1/8000 sec. shutter speed, RTV (Real Time Vacuum) system, TTL pre-flash capability, and narrow-area spot metering.

To make full advantage of its functions and capabilities, please read this manual carefully through before using the camera so that you can understand them well and use it correctly.

This manual uses a multi-mode Planar T* 50mm F1.4 (MM) lens equipped on the camera for explaining its operating procedures. However, you can also use it in the same way as described in this manual when it is equipped with other multi-mode Carl Zeiss interchangeable lenses.

Wir danken Ihnen, daß Sie sich für die Contax RTS III entschieden haben.

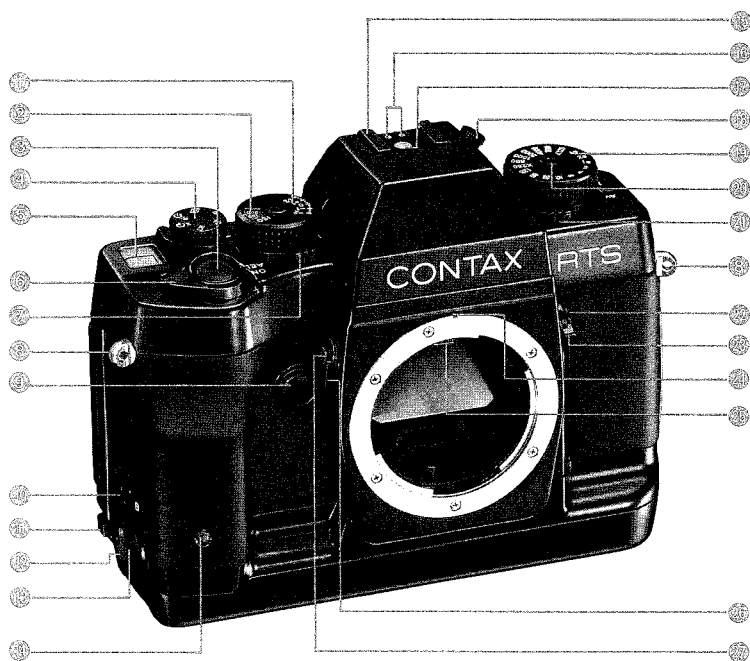
Auf der Grundlage des Echtzeitkonzeptes der Contax RTS-Serie bietet Ihnen diese Contax-Kamera der höchsten Güteklasse zusätzliche fortschrittliche Merkmale, u.a. eine ultrakurze Verschlußzeit von 1/8000 Sek., ein RTV-System (Real Time Vacuum), TTL-Vorblitz-Lichtmessung und Engbereichs-Spotmessung. Bitte lesen Sie diese Bedienungsanleitung vor Inbetriebnahme der Kamera aufmerksam durch, damit Sie mit allen Funktionen vertraut werden und optimalen Gebrauch von ihren Möglichkeiten machen können.

Die Erklärungen dieser Bedienungsanleitung gehen davon aus, daß ein Mehrbetriebsarten-Objektiv (MM) Planar T* f1,4/50 mm an der Kamera angesetzt ist, doch gelten die gleichen Bedienungsverfahren auch für alle anderen Mehrbetriebsarten-Wechselobjektive von Carl Zeiss.

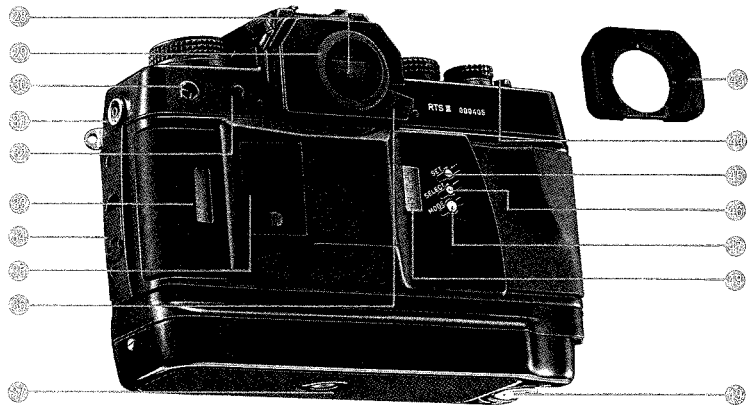
Contents

Name of Parts	8	<3> Using the A.B.C. Mode	
Basic Steps	12	(Automatic Bracketing Control)	90
● Basic Operation Before Shooting		Depth of Field	96
Mounting and Dismounting the Lens	18	Using the Self-timer	100
Loading the Batteries	20	Multiple Exposure	102
<Main Switch>	22	Flash Photography	104
<Battery Check>	24	Mirror-up Lever/Release Socket	122
Diopter Adjustment	28	Infrared Compensation Mark	124
Setting the Film Speed	30	Printing the Date or Time	126
Loading the Film	32	Camera Care and Precautions	130
Display in the Viewfinder and Display Panel	36	Dedicated Accessories	134
Drive Mode Selector Dial	44	Specifications	142
Exposure Mode Selector Lever	46		
Shutter Speed Dial	48		
Holding the Camera	50		
Focusing the Lens	52		
Rewinding the Film	54		
<RTV (Real Time Vacuum) System>	56		
● Camera Functions and Applied Techniques			
Selecting the Exposure Mode	58		
Aperture-priority Auto Exposure	62		
Shutter-speed-priority Auto Exposure	64		
Manual Exposure	72		
Bulb Exposure	74		
Metering System	78		
Exposure Compensation	82		
<1> Using the Exposure Compensation Dial	82		
<2> Using the AE Lock	86		

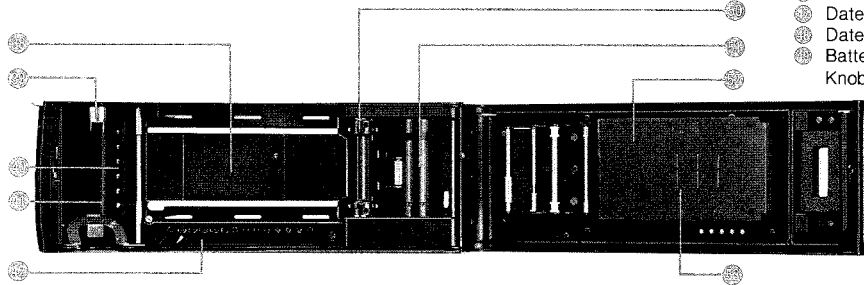
Name of Parts



- 1 Exposure Compensation Dial
- 2 Film Speed Window
- 3 Shutter Release
- 4 Drive Mode Selector Dial
- 5 Display Panel
- 6 Main Switch
- 7 A.B.C. Lever
- 8 Strap Lug
- 9 Exposure Check Button
- 10 Cable Release Socket for Bulb Exposure
- 11 Rewind Lever
- 12 Vertical-position Shutter Release Lock
- 13 Vertical-position Shutter Release
- 14 Self-timer LED
- 15 Accessory Shoe
- 16 Dedicated-flash Contact
- 17 Direct X-contact
- 18 Diopter Adjuster
- 19 Shutter Speed Dial
- 20 Shutter Speed Dial Lock Release Button
- 21 Exposure Mode Selector Lever
- 22 Aperture Stop-down Button
- 23 Metering Mode Selector Lever
- 24 Lens Index
- 25 Screen Release Claw
- 26 Mirror Up Lever
- 27 Lens Release Button

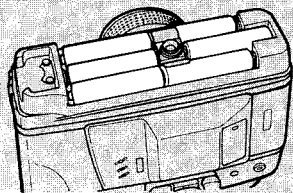


- 1 Viewfinder Eyepiece
- 2 Eyepiece Ring
- 3 Release Socket
- 4 Sync Terminal
- 5 Exposure Mode Lock Release Button
- 6 Film Check Window
- 7 Camera Back Release Knob
- 8 Dating-unit Battery Compartment Cover
- 9 Eyepiece Shutter Lever
- 10 Tripod Socket
- 11 Shutter Curtain
- 12 Film Mounting Spindle
- 13 DX Contact
- 14 Film Chamber
- 15 Data-back Contact
- 16 Eyecup
- 17 Pre-flash Lever
- 18 Date Set Button
- 19 Date Select Button
- 20 Date Mode Button
- 21 Date Display window
- 22 Battery Compartment Cover Locking Knob

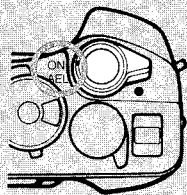


- 23 Sprocket
- 24 Spool
- 25 Film Pressure Plate
- 26 RTV Suction Slit

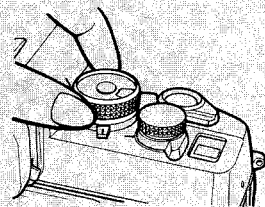
Basic Steps/Grundlegendes Verfahren Etapas de base/Pasos básicos



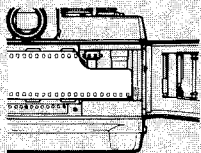
- 1 Load the batteries.
- 1 Legen Sie die Batterien ein.
- 1 Mettez les piles en place.
- 1 Cargue las pilas.



- 2 Set the main switch to "ON".
- 2 Schalten Sie den Hauptschalter ein ("ON").
- 2 Placez le commutateur principal sur "ON".
- 2 Ajuste el interruptor principal en "ON".



- 3 Set the film speed to "DX" with the exposure compensation dial.
- 3 Stellen Sie die Filmempfindlichkeit mit dem Belichtungskorrekturring auf "DX" ein.
- 3 Réglez la sensibilité du film sur "DX" avec le cadran de compensation d'exposition.
- 3 Ajuste la velocidad de la película a "DX" con el aro de compensación de exposición.

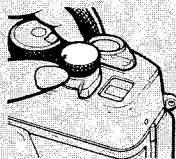


4 Load film, pull out its tip as far as the orange "☐" mark and place it on the spool.

4 Legen Sie den Film ein, ziehen Sie den Filmanfang bis zur orangefarbenen Marke "☐" aus der Patrone und legen Sie ihn auf die Filmtransportrolle.

4 Chargez un film, extraire son amorce jusqu'à la marque orange "☐" et placez-le sur la bobine.

4 Cargue la película, tire hacia fuera de su punta hasta la marca naranja "☐" y colóquela en el carrete.



5 Set the drive mode Selector Dial to "S", "CL" or "CH".

5 Stellen Sie den Filmtransport-Wahring auf "S", "CL" oder "CH".

5 Réglez le cadran de sélection de mode d'entraînement sur "S", "CL" ou "CH".

5 Ajuste el aro del selector del modo motorizado a "S", "CL" o "CH".

Av

Av

Av

Aperture-priority auto exposure

(see page 62)

Belichtungsautomatik mit Blendenvorwahl

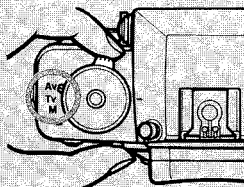
(Siehe Seite 63.)

Exposition automatique à priorité au diaphragme

(voir page 63)

Exposición automática con prioridad de abertura

(vea la página 63)

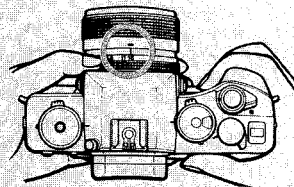


6 Set the exposure mode selector lever to "Av".

6 Stellen Sie den Belichtungs-betriebsarten-Wahlschieber auf "Av".

6 Placez le levier de sélection de mode d'exposition sur "Av".

6 Ajuste la palanca del selector del modo de exposición a "Av".



7 Set the aperture and shoot.

7 Stellen Sie das Objektiv auf den gewünschten Blendenwert ein und machen Sie die Aufnahme.

7 Réglez le diaphragme et déclenchez.

7 Ajuste la abertura y dispare.

Shutter-speed-priority auto exposure

(with MM type lenses only) (see page 64)

Belichtungsautomatik mit Verschlusszeitenvorwahl

(nur bei Verwendung von Objektiven mit MM-Anschluß) (Siehe Seite 65.)

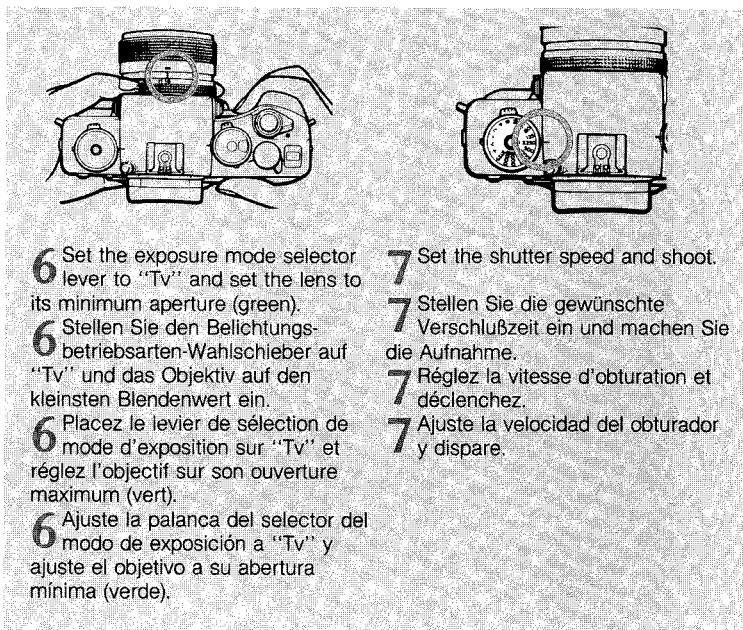
Exposition automatique à priorité à la vitesse

(avec objectifs de type MM seulement) (voir page 65)

Exposición automática con prioridad de velocidad del obturador

(sólo con objetivo del tipo MM) (vea la página 65)

Tv



Shutter-speed-priority auto exposure

(with MM type lenses only) (see page 64)

Belichtungsautomatik mit Verschlusszeitenvorwahl

(nur bei Verwendung von Objektiven mit MM-Anschluß) (Siehe Seite 65.)

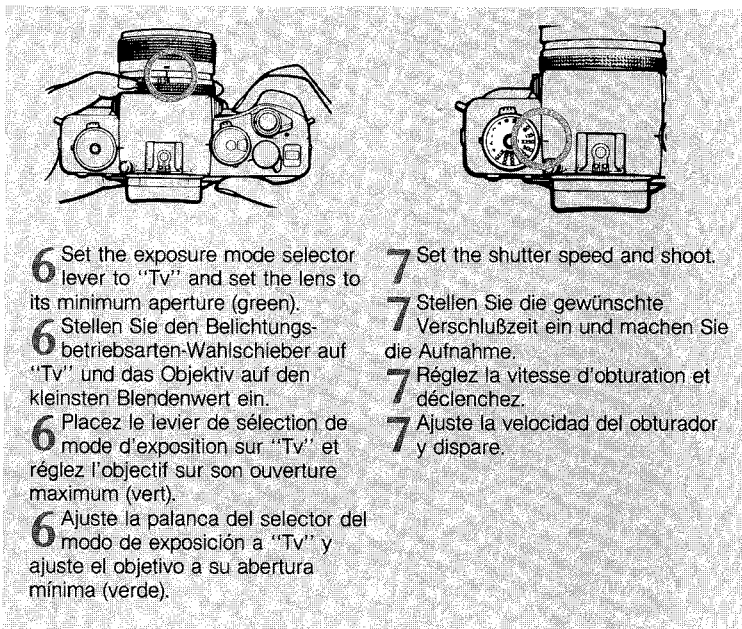
Exposition automatique à priorité à la vitesse

(avec objectifs de type MM seulement)
(voir page 65)

Exposición automática con prioridad de velocidad del obturador

(sólo con objetivo del tipo MM)
(vea la página 65)

Tv



**Attach the Strap
(standard accessory)**

Attach the strap as shown in the illustration.

**Anbringen des Tragriemens
(Standardzubehör)**

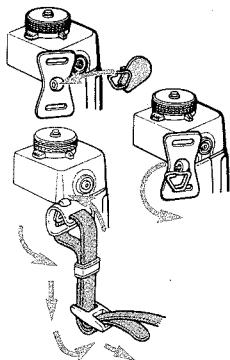
Bringen Sie den Tragriemen wie in der Abbildung gezeigt an.

**Fixation de la courroie
(accessoire standard)**

Fixez la courroie comme indiqué dans l'illustration.

**Unión de la correa
(accessorio estándar)**

Una la correa como se muestra en la ilustración.



**Attaching the Eyecup F-4
(standard accessory)**

- ① Remove the eyepiece ring by turning it as shown.
- ② Attach the Eyecup to the eyepiece and fix the eyepiece ring again in place by screwing it in.

**Anbringen der Augenmuschel F-4
(Standardzubehör)**

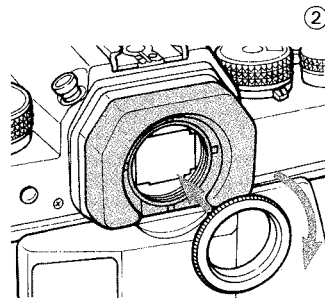
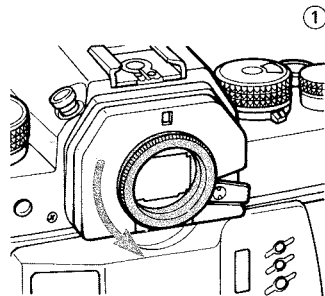
- ① Drehen Sie den Okularring wie gezeigt, um ihn zu entfernen.
- ② Bringen Sie die Augenmuschel am Okular an und schrauben Sie den Okularring wieder ein.

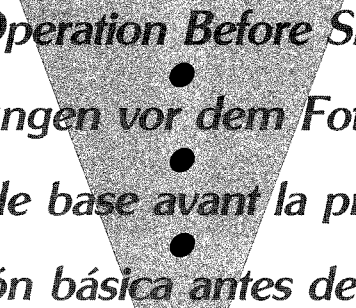
**Fixation de l'ocilleton F-4
(accessoire standard)**

- ① Retirez la bague de l'ocilleton en la tournant comme indiqué.
- ② Fixez l'oculaire sur l'ocilleton et fixez la bague de l'ocilleton de nouveau en place en la vissant.

**Unión del marco del ocular F-4
(accessorio estándar)**

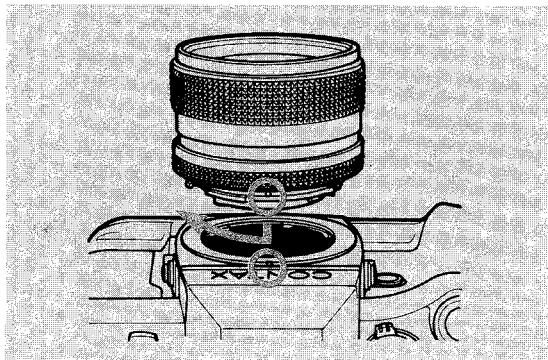
- ① Extraiga el anillo del ocular girándolo como se muestra.
- ② Una el marco del ocular en el ocular y fije el anillo del ocular en su lugar enroscándolo.





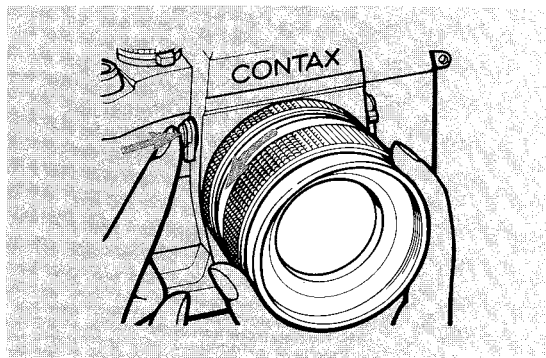
Basic Operation Before Shooting
Vorbereitungen vor dem Fotografieren
Opération de base avant la prise de vues
Operación básica antes del disparo

Mounting and Dismounting the Lens



< Mounting the Lens >

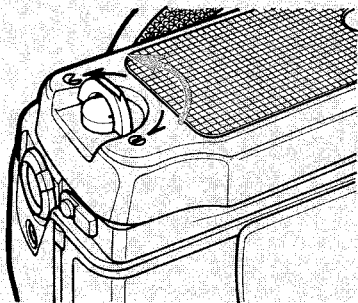
First, remove the camera's body cap and the lens' rear cap by turning them counterclockwise. Then, align the red dot on the lens with the lens index on the camera, fit it in and turn it clockwise until it locks with a click.



< Dismounting the Lens >

While pressing in the lens release button, turn the lens counterclockwise as far as it will go and pull it out toward you. After dismounting the lens from the camera, protect the lens with the rear cap, and the camera with the body cap.

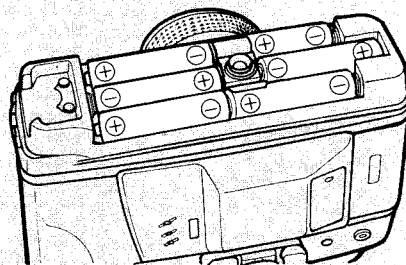
- Do not touch the lens surface and camera inside with your fingers when attaching and detaching the lens.
- Avoid direct sunlight when changing the lens with film loaded in the camera.



All mechanisms of the Contax RTS III including the shutter, film winding and rewinding mechanism are battery operated. It will not operate without batteries.

1 Erect the battery compartment cover locking knob, turn it in the direction of the arrow (the mark "•" will move from "⊖" to "⊕"), then remove the battery compartment cover.

2 Insert the batteries with the plus ⊕ and minus ⊖ ends correctly, as illustrated inside the battery compartment. The camera will not operate if the ⊕ and ⊖ ends are wrong.



• The batteries that come with the camera are sample batteries that can be used only for testing the camera operation.

Use the following batteries depending on the application.

① Six 1.5V alkaline batteries (AA size)

Recommended for general use.

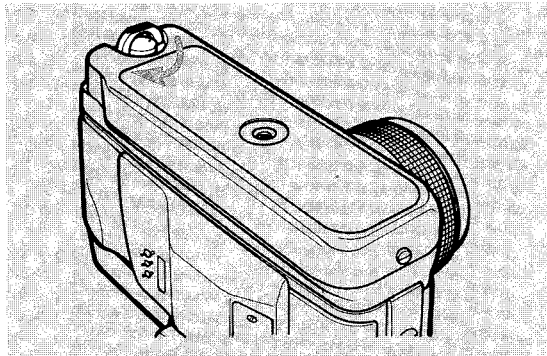
② Six 1.2V Ni-Cd batteries (AA size)

Recommended especially for shooting in cold weather.

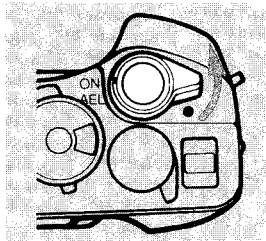
③ One 6V lithium battery (2CR5)

Recommended when you are to use the same battery for a long time, because of its low natural discharge.

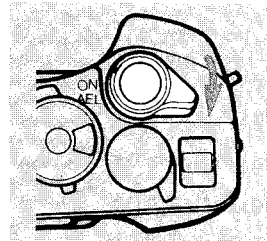
It is also good as a spare battery to take with you on a trip. However, it is not recommended for use at low temperatures because it has a lower voltage than other batteries.



3 Fit the guide pin on the camera into the fixing hole in the battery chamber cover and replace the cover. Then fix it in place by turning the locking knob in the direction of the arrow as far as it will go (the mark “•” will move from “⊗” to “⊙”).



*In ON position/Position EIN
Position ON/En la posición ON*



*In OFF position/Position AUS
Position OFF/En la posición OFF*

< Main Switch >

The main switch has three positions: “OFF”, “ON”, and “AEL” (AE lock).

OFF: To set the main switch to OFF, turn it so that the red dot is concealed.

At OFF, the camera’s power switch will turn off.

If you are not using the camera, set the main switch at OFF to prevent tripping the shutter by mistake.

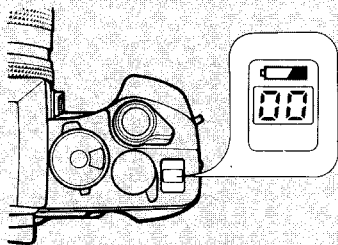
ON: Turn the main switch so that the dot on it comes opposite “ON”.

At ON, the camera’s power switch will turn on.

AEL: Turn the main switch so that the dot it comes opposite “AEL”.

At AEL, exposure is locked. This AE lock is useful for shooting in backlight or continuous shooting of a moving object at a fixed exposure.

- For details on the AE lock, see page 86.



< Battery Check >

The battery voltage is normal if the mark "⚡" (battery warning mark) does not appear in the display panel. For details on the display in the panel, see page 36.

< Battery Replacement >

If the mark "⚡" turns on in the display panel, it is time to replace the batteries. Set the main switch at OFF, open the battery compartment cover and change the batteries with new ones.

- Though you can take picture even after the mark "⚡" has turned on, it is recommended to replace the batteries as soon as possible. Be careful because the mark "⚡" will blink or go out and the camera will no longer operate if the battery capacity has dropped below the effective limit.

- If you are using a lithium battery, the mark "⚡" may turn on soon after it was loaded, because it provides a lower voltage than other batteries. But it has no problem and you can take pictures with it.

Batteries and their capacity (number of rolls of 36-exposure film that can be exposed with new batteries)

Batterietypen und ihre Kapazität (Anzahl von Rollen 36er Films, die mit frischen Batterien belichtet werden können)

Les piles et leur capacité (nombre de rouleaux de 36 poses pouvant être exposés avec des piles neuves)

Pilas y su capacidad (número de rollos de 36 exposiciones que pueden exponerse con pilas nuevas)

Type of Battery Batterietyp Type de pile Tipo de pilas	Ordinary temperature Normal- temperatur Température ordinaire Temperatura normal	- 10°C
Six 1.5V alkaline batteries (AA size) Sechs 1,5-V-Alkalibatterien (AA) Six piles alcalines de 1,5 V (taille AA) Seis pilas alcalinas de 1,5 voltios (Tamaño AA)	About 120 ca. 120 Environ 120 Cerca de 120	About 7 ca. 7 Environ 7 Cerca de 7
Six 1.2V Ni-Cd batteries (AA size) Sechs 1,2-V-NiCd-Akkus (AA) Six piles Ni-Cd de 1,2 V (taille AA) Seis pilas de Ni-Cd de 1,2 voltios (Tamaño AA)	About 50 ca. 50 Environ 50 Cerca de 50	About 20 ca. 20 Environ 20 Cerca de 20
One 6V lithium battery Eine 6-V-Lithiumbatterie Une pile au lithium de 6 V Una pila de litio de 6 voltios	About 120* ca. 120* Environ 120* Cerca de 120*	—————

The number marked with "*" represents the battery capacity until the mark "⚡" blinks and the camera no longer operates.

< Battery Precautions >

- Always replace the batteries with new ones of the same type. Do not mix different kinds of batteries or old batteries.
- Generally, battery performance is reduced by cold temperatures (under 0°C). If you are shooting in cold weather, it is advisable to keep the camera warm in a bag or an outfit for protection against cold. The battery performance reduced by low temperatures will return to normal when you take pictures at an ordinary temperature.
- Before loading the batteries, wipe both poles clean with a dry cloth because poor contact may result if they are soiled with sweat or grease.
- Do not throw used batteries into fire or try to charge or disassemble them because it is dangerous.
- If you are going on a long trip, bring a new set of spare batteries with you.

The Contax RTS III accepts alkaline, Ni-Cd and lithium batteries. To make full use of its performance, it is recommended to use alkaline penlight batteries.

< Vorsichtsmaßnahmen für die Batterien >

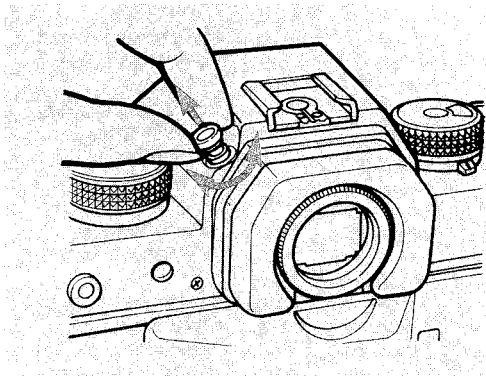
- Tauschen Sie immer alle Batterien gleichzeitig gegen frische Batterien des gleichen Typs aus. Mischen Sie nicht alte und neue Batterien und solche verschiedener Typen.
- Bei Temperaturen unter Null nimmt die Batterieleistung vorübergehend ab. Beim Fotografieren in kaltem Wetter sollten daher frische Batterien verwendet und die Kamera vor den Aufnahmen warmgehalten werden. Die durch tiefe Temperaturen beeinträchtigte Batterieleistung wird jedoch wiederhergestellt, wenn Aufnahmen später bei normaler Temperatur gemacht werden.
- Vor dem Einlegen der Batterien beide Pole mit einem trockenen Tuch abreiben, da bei einer Verschmutzung der Pole mit Schweiß oder Fett kein einwandfreier elektrischer Kontakt gewährleistet ist.
- Verbrauchte Batterien auf keinen Fall in ein offenes Feuer werfen, aufladen versuchen oder zerlegen, da Verletzungsgefahr besteht!
- Wenn Sie auf längere Reisen gehen, nehmen Sie einen Satz frischer Batterien als Reserve mit.

Die Spannungsversorgung der Contax RTS III kann wahlweise über Alkalibatterien, NiCd-Akkus und Lithiumbatterien erfolgen. Für optimale Leistung der Kamera empfehlen wir den Gebrauch von Alkalibatterien.

Diopter Adjustment

This camera has a built-in diopter adjustment unit. To adjust the viewfinder eyepiece to your eyesight, lift up the diopter adjuster and turn it until the circle in the center of the viewfinder appears clear. The adjustable range is +1 ~ -3 diopters.

- After adjustment, push in the diopter adjuster.
- If you cannot adjust with the camera's built-in diopter adjuster, use the optional FM type diopter corrector lenses. See page 136.



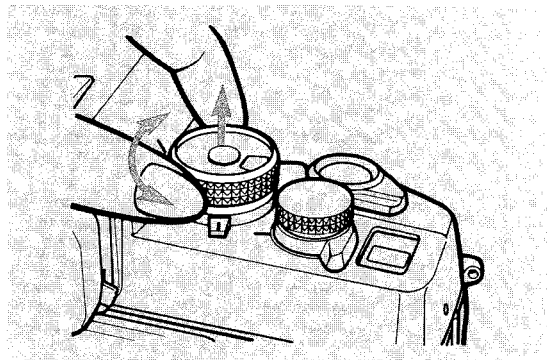
Setting the Film Speed

You can set the film speed in two ways: automatic setting with DX film and manual setting.

< Automatic Setting >

Turn the exposure compensation dial while lifting it up so that the "DX" marking in the film speed window comes opposite the film speed index, then lock it with a click. If you use DX-coded film (ISO 25 ~ 5000), the camera will automatically set its film speed. The DX marking and film speed are printed on the film box.

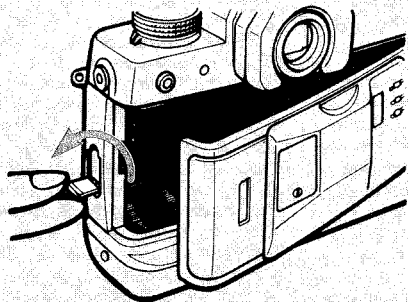
- Automatically set film speeds are not displayed on the camera.
- If non-DX-coded film is used in the automatic setting mode, its film speed will be set to ISO 100.



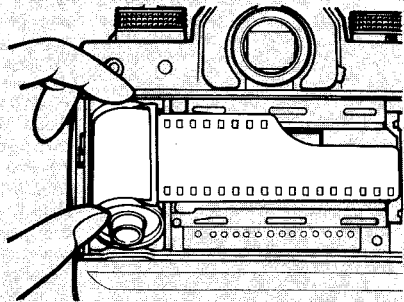
< Manual Setting >

If you use non-DX-coded film, or if you want to shoot with a film speed that is different from that of the film you are using, use the manual setting mode. Turn the exposure compensation dial while lifting it up, and set it at your desired speed. In this mode, the camera is set to the manual speed even if you use DX-coded film. Film speeds can be set in a range of ISO 6 ~ 6400 in 1/3-step increments.

Loading the Film



1 Erect the camera back release knob, turn it in the direction of the arrow and open the camera back. After opening the camera back, return the knob to its original position.



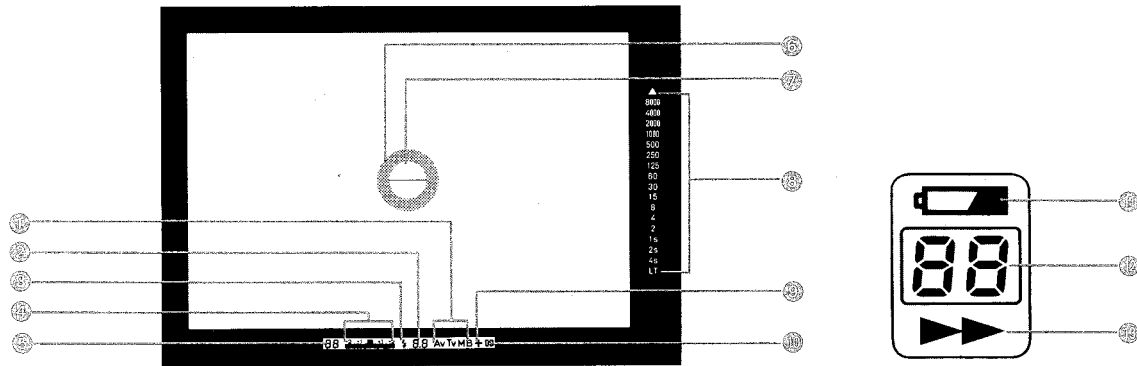
2 Insert the film cassette slantwise into the film chamber with its protruding end downward as illustrated.

Note on the shutter curtain:

The shutter curtain is a precision part. Never touch it with your finger or strike it with the film tip. When the film tip lies on the shutter curtain, in particular, never trip the shutter.

- Take care not to touch or contaminate the DX contacts and data back contact.
- Always load and unload film in subdued light.

Display in the Viewfinder and Display Panel



< Display in the Viewfinder >

The display in the viewfinder is a backlight type and uses a power-saving design so that it turns on for 16 seconds in the following cases then turns off automatically.

- ① When the main switch is set at ON.
- ② When the main switch is at ON:
 - When the shutter release, exposure check button, or aperture stop-down button is depressed.
 - When the pre-flash lever or rewind lever is set at ON.

If a dial or other controls are switched while the display appears in the viewfinder, it will remain on for additional 16 seconds.

① **Exposure Mode Indicator** The exposure mode is displayed. "Av" shows aperture-priority auto exposure, "Tv" shutter-speed priority auto exposure, "M" manual exposure, and "B" bulb exposure.

② **Aperture Value** In the aperture-priority auto exposure mode and manual exposure mode, the aperture that is set on the camera will be displayed, and in the shutter-speed-priority auto exposure, the aperture determined in accordance with the shutter speed.

③ **Flash Mark** When shooting with the TTL flash system, the flash mark " ⚡ " will turn on as soon as the flash is fully charged.

Flashmeter When the pre-flash is "ON", the bar will turn on in a range of ± 2 EV to show an exposure error relative to the correct exposure in 1/2-EV steps. If the error exceeds ± 2 EV, all bars on the corresponding side will turn on. The flashmeter will also show the light control condition after flash exposure on TTL direct light control.

Exposure Counter The exposure counter will advance one by one each time the film is wound. It will count down while the film is rewinding.

In addition, the counter has the following functions:

- Displays the time on bulb exposure (repetition of 00~59 seconds) (excepting when the cable release socket for bulb exposure is used).
- Displays the remaining time when the self-timer is operating (10 sec. ~00).
- Displays the operation order on A.B.C. mode.
- Displays when the end of the film is reached.

ø 5mm Pre-flash Metering Range

ø 3mm Spot Metering Range

Shutter Speed The shutter speed from 1/8000 to 4 seconds and LT (6~32 seconds) are displayed. "8000" shows 1/8000 seconds, and "4s" shows 4 seconds.

If two shutter speeds are displayed, their intermediate value is the shutter speed being set.

If the mark "▲" blinks, it means overexposure; and if "LT" blinks, it means underexposure.

The shutter speed determined by the camera will be displayed.

If the shutter speed has been fixed in an exposure mode "Tv", "M" or "AEL", it will blink. The shutter speed will also blink when it has been automatically switched for flash photography.

Exposure Compensation Mark If the exposure compensation dial is set for exposure compensation (other than "0"), the "+" or "-" sign will blink.

Metering Mark For display of the metering mode and AE lock:

Center-weighted metering: The mark "☐" lights.

Spot metering: The mark "☐" lights.

AE lock on center-weighted metering: The mark "☐" blinks.

AE lock on spot metering : The mark "●" blinks.

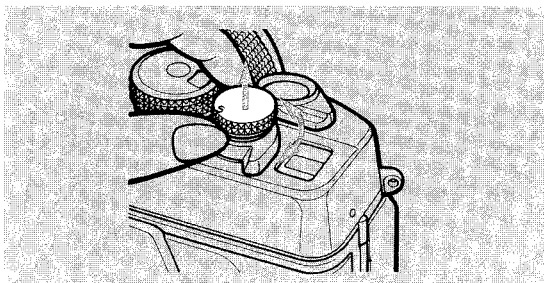
< Display Panel >

Battery Warning Mark For details, see "Battery check" on page 24.

Exposure Counter Shows the number of exposures taken, even when the main switch is at OFF.

Film Transport Mark

Drive Mode Selector Dial



You can choose the following drive modes depending on your shooting object. To set the drive mode selector dial, turn it while lifting it up.

S Single-frame Shooting

Each time the shutter release is depressed, the camera will expose one frame, wind the film for the next shot and stop winding.

CL and CH Continuous Shooting

As long as the shutter release is depressed, you can take pictures in succession at a rate of up to about three frames/sec. (CL) or about five frames/sec. (CH). (The frame rate will differ with the shutter speed and the conditions of batteries in the camera.)

2 and 10 Self-timer Shooting

You can take picture with self-timer with a delay of 2 or 10 seconds. For details, see page 100.

.... Multiple Exposure

See page 102.

Frame rates with different batteries

(shutter speed 1/250 or faster, ISO 32 or higher)

Aufnahmegeschwindigkeiten bei verschiedenen Batterien

(Verschlußzeit 1/250 Sek. oder kürzer, ISO 32 oder höher)

Fréquences de photos avec les différents types de piles

(vitesse d'obturation 1/250 ou plus, ISO 32 ou plus)

Margen de fotogramas con pilas diferentes

(Velocidad del obturador de 1/250 o mayor, ISO 32 o mayor)

Battery Batterietyp Pile Pilas	Drive mode Aufnahmebetriebsart Mode d'entraînement Modo motorizado	
	CL	CH
Alkaline batteries Alkalibatterien Piles alcalines Pilas alcalinas	About 3 frames/sec. ca. 3 Bilder/Sek. Environ 3 photos/sec. Unos 3 fotogramas/seg.	About 5 frames/sec. ca. 5 Bilder/Sek. Environ 5 photos/sec. Unos 5 fotogramas/seg.
Ni-Cd batteries NiCd-Akkus Piles Ni-Cd Pilas de Ni-Cd	About 3 frames/sec. ca. 3 Bilder/Sek. Environ 3 photos/sec. Unos 3 fotogramas/seg.	About 4.5 frames/sec. ca. 4,5 Bilder/Sek. Environ 4,5 photos/sec. Unos 4,5 fotogramas/seg.
2CR5	About 2 frames/sec. ca. 2 Bilder/Sek. Environ 2 photos/sec. Unos 2 fotogramas/seg.	About 3.5 frames/sec. ca. 3,5 Bilder/Sek. Environ 3,5 photos/sec. Unos 3,5 fotogramas/seg.

* With new batteries

* Gilt für frische Batterien

* Avec des piles neuves

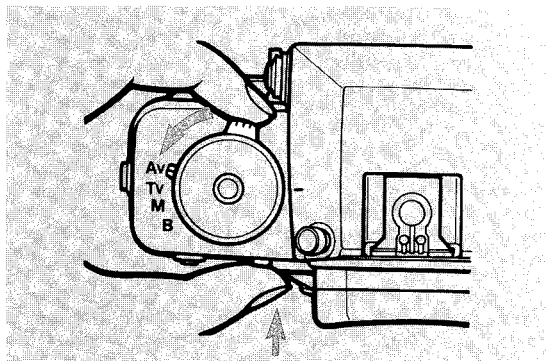
* Con pilas nuevas

Exposure Mode Selector Lever

The Contax RTS III offers the following exposure modes: aperture-priority auto exposure, shutter-speed-priority auto exposure (with MM type lenses only), manual exposure and bulb exposure. Set your desired mode with the exposure mode selector lever while pressing in the exposure mode lock release button. For details on the exposure modes, see pages 58 ~ 76.

< Exposure Check Button >

When the main switch is at ON, depress the exposure check button. The display in the viewfinder will turn on to let you check the exposure. You can also check the exposure by depressing the shutter release halfway.

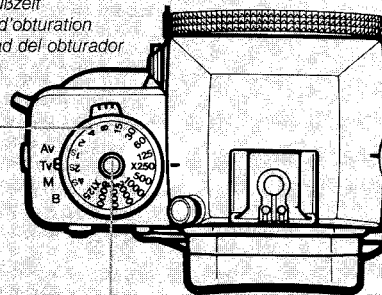


Shutter Speed Dial

The shutter speed dial can be used for adjusting the exposure time of the film in the shutter-speed-priority auto exposure and manual exposure modes.

It can be set at X125 (1/125 sec.) and speeds from 4 sec. to 1/8000 sec. in 1-step increments. It can be locked only at X125.

Shutter speed
Verschlußzeit
Vitesse d'obturation
Velocidad del obturador



Shutter speed dial lock release button
Verschlußzeitenringsperre-Freigabeknopf
Bouton de dégagement de verrou de cadran de vitesse
d'obturation
Botón de liberación del bloqueo del aro de velocidad del
obturador

Holding the Camera

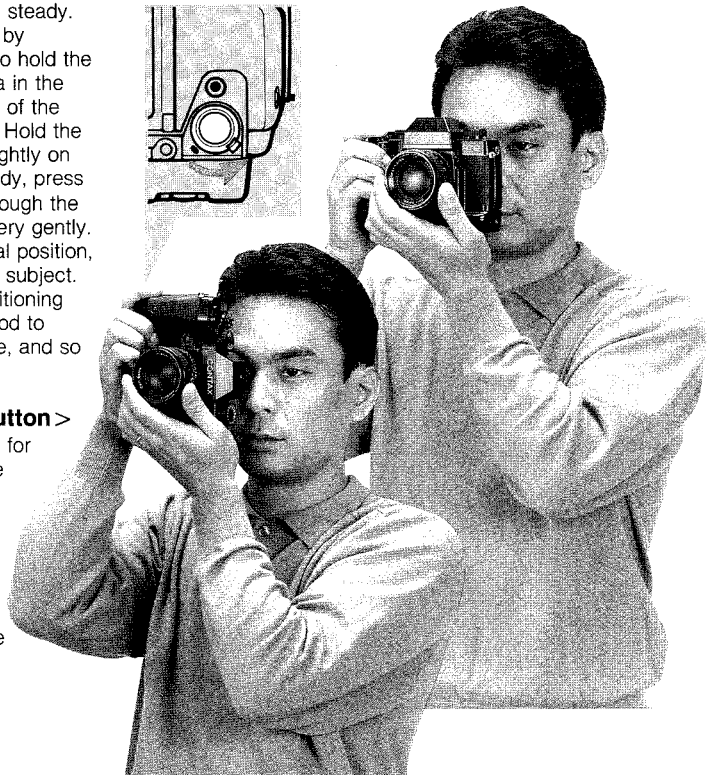
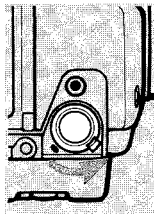
To take sharp pictures, the camera must be held steady. Because blurred pictures are most often caused by camera shake, it is recommended to learn how to hold the camera steady by practicing it. Place the camera in the palm of your left hand and hold the distance ring of the lens so that you can operate it with your fingers. Hold the grip with your right hand and put the forefinger lightly on the shutter release. Stick the left elbow to the body, press the camera lightly against your face and look through the viewfinder. Always depress the shutter release very gently. The camera can be held not only in the horizontal position, but also in the vertical position depending on the subject. In any case, study your comfortable camera positioning and practice until you get used to it. It is also good to support your body or camera with a building, tree, and so on.

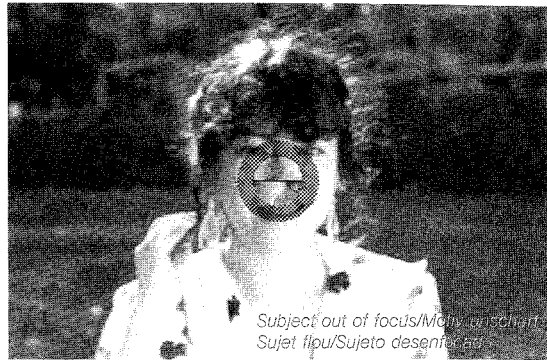
< Using the Vertical-position Release Button >

The vertical-position release button is convenient for taking pictures of people and other objects in the vertical position. It allows you to operate the shutter release in a natural posture.

First, unlock the release button by turning the vertical-position release lock lever toward the arrow as far as it will go, then depress it to take your picture.

If you do not use this button, turn the lever to the position where the red mark is concealed.





The Contax RTS III is provided with a focusing screen FV-1 (horizontal split-image/micropism type) as standard equipment. Focusing can be done on a horizontal split-image spot in the center of the viewfinder, a micropism collar, and a matte screen around it.

< Horizontal Split-image Spot >

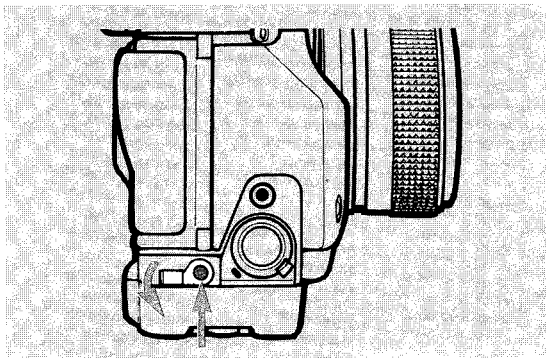
While looking through the viewfinder, turn the distance ring until the upper and lower segments of the image coincide. If the subject is not in sharp focus, the two segments will not coincide.

< Micropism Collar and Matte Screen >

Turn the distance ring until the image on the micropism collar or matte screen appears sharp. If the subject is not in sharp focus, the image on the micropism collar will appear grainy and that on the matte screen blurred.

- When using a slow lens or taking close-ups with a high magnification, focusing may be difficult. In such cases, use the matte screen to focus.

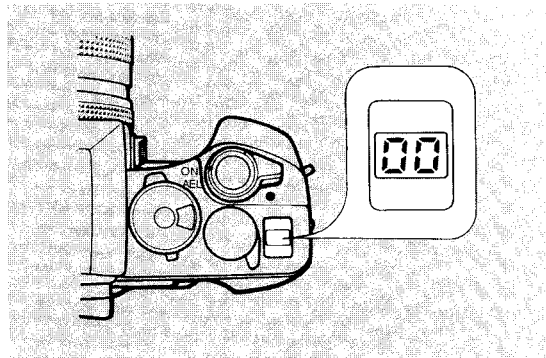
Rewinding the Film



After the last frame is exposed, the camera will stop winding the film and the upper and lower digits of the number on the exposure counter will blink alternately.

1 With the main switch at ON, turn the rewind lever in the direction of the arrow while pressing in the rewinding lock release button. The film will start rewinding itself. The exposure counter will count down and return to "00" when rewinding is completed and the motor stops.

- Be sure to remove your finger from the rewind lever when the rewinding operation has started. The lever will automatically return to its original position.
- After rewinding is completed, the film tip will remain outside the cassette. If you want to wind the film back completely into the cassette, repeat the above-mentioned procedure after rewinding was ended.



2 After making sure the motor has stopped and the exposure counter has returned to "00", open the camera back and unload the film in subdued light.

- To rewind the film in the middle of a roll, follow the foregoing steps 1 and 2.
- Be sure to unload the film after it has been rewound. After the film has been rewound, the camera will not operate unless the camera back is once opened.

< RTV (Real Time Vacuum) System >

By adopting a ceramic pressure plate and RTV System, it has become possible to secure the flatness of the film to an upgraded extent that was impossible with the conventional system.

The RTV System can attract the film on the pressure plate just before the first curtain of the shutter travels and release the suction after the second curtain has traveled. It operates in the "Av", "Tv" and "M" modes.

- The RTV System does not operate in the bulb exposure ("B") mode.
- It does not operate, to save power when the battery warning mark "☐" lights.

< RTV-System (Real Time Vacuum) >

Der Einsatz einer Keramik-Andruckplatte und des RTV-Systems sorgt bei dieser Kamera für eine gegenüber dem herkömmlichen System stark verbesserte Planlage des Films.

Das RTV-System saugt den Film an die Andruckplatte, kurz bevor die ersten Lamellen des Verschlusses betätigt werden. Nach Betätigung der zweiten Lamellen wird die Ansaugung wieder aufgehoben. Diese Einrichtung ist in den Betriebsarten "Av", "Tv" und "M" wirksam.

- Das RTV-System steht in der Zeitbelichtungs-Betriebsart ("B") nicht zur Verfügung.
- Es arbeitet außerdem bei blinkendem Batterie-Warnsymbol "☐" nicht, um die Batterien zu schonen.

< Système RTV (Real Time Vacuum) >

En adoptant une plaque de pression céramique et le système RTV, il est devenu possible de fixer la planéité du film d'une manière impossible avec le système conventionnel. Le système RTV peut attirer le film sur la plaque de pression, juste avant le déplacement du premier rideau de l'obturateur et relâche l'aspiration lorsque le deuxième rideau a fini de bouger. Il fonctionne dans les modes "Av", "Tv" et "M".

- Le système RTV ne fonctionne pas dans le mode d'exposition prolongée ("B").
- Il ne fonctionne pas non plus, pour des raisons d'économie d'énergie, lorsque la marque d'avertissement des piles ("☐") s'allume.

< Sistema RTV (Vacío de tiempo real) >

Adoptando una placa de presión cerámica y el sistema RTV, ha sido posible asegurar la planitud de la película a un punto mejorado el cual fué imposible con el sistema convencional.

El sistema RTV puede atraer la película en la placa de presión justo antes de que la primera cortina del obturador se desplace y libere la succión después de que la segunda cortina se haya desplazado. Opera en los modos "Av", "Tv" y "M".

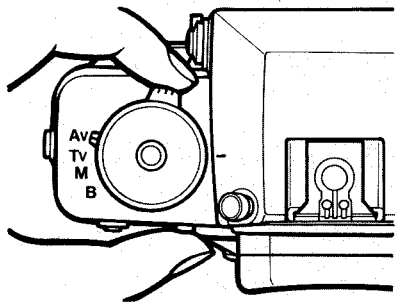
- El sistema RTV no opera en el modo de exposición de pose ("B").
- Cuando la marca "☐" de advertencia de las pilas se encienda, no operará para ahorrar energía.



Camera Functions and Applied Techniques
Kamerafunktionen und Aufnahmetechniken
Functions de l'appareil et techniques appliquées
Funciones de la cámara y técnicas aplicadas

Selecting the Exposure Mode

You can choose the following exposure modes depending on your shooting object and application.



Av: Aperture-priority Auto Exposure

If you choose your desired aperture, the camera will automatically select the shutter speed suited for it to provide correct exposure. This mode is useful for taking pictures by utilizing the lens depth of field.

Tv: Shutter-speed-priority Auto Exposure (with MM type lenses only)

If you choose your desired shutter speed, the camera will automatically select the aperture suited for it to provide correct exposure. This mode is useful for taking fast moving objects.

M: Manual Exposure

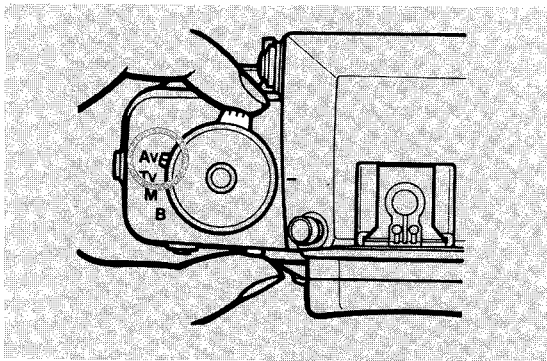
In this mode, you can choose the aperture and shutter speed as desired. Intentional over- or underexposure is also easy.

B: Bulb Exposure

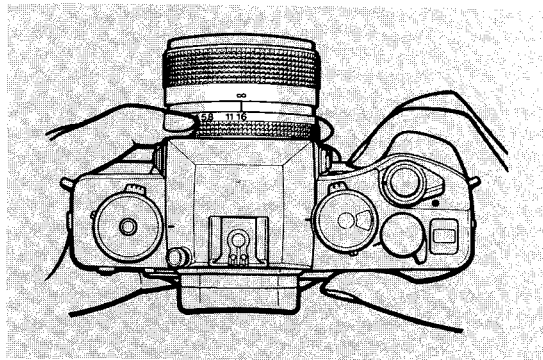
This mode can be used for taking night scenes or pictures of the sky at night which require long exposure. As long as the shutter release is depressed, the shutter will open to expose the film.

- When an AE lens is mounted, it is impossible to take pictures in the "Tv" mode. Even if the camera is set to the "Tv" mode, it will operate in the "Av" mode.
- When no lens is mounted on the camera, it will operate in the "Av" mode even if it is set to the "Tv" mode.

Aperture-priority Auto Exposure

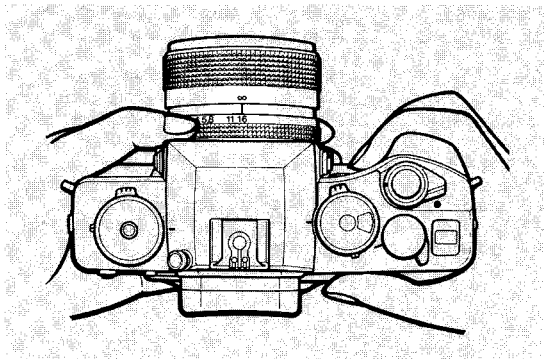


1 Set the exposure mode selector lever to "Av".



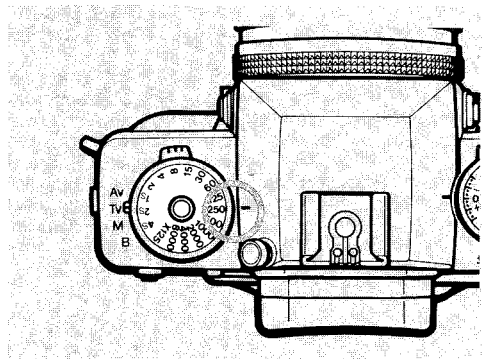
2 Set the aperture and shoot.
If you set the aperture with the lens' aperture ring, the camera will automatically set the shutter speed suited for it.
In the viewfinder, the aperture you have set and the shutter speed automatically set by the camera will turn on.

Shutter-speed-priority Auto Exposure



1 Set the lens aperture to the minimum aperture (green) and set the exposure mode selector lever to “Tv”.

The minimum aperture on the aperture ring of MM type lenses is marked in green to show you that you should set the lens to it in the programmed auto exposure and shutter-speed-priority auto exposure modes.



2 Set the shutter speed and shoot.

If you set the shutter speed by turning the shutter speed dial, the camera will automatically set the aperture suited for it.

In the viewfinder, the shutter speed you have set will blink and the aperture automatically set by the camera will turn on.

If the shutter speed you have selected cannot provide correct exposure because the aperture suited for it is beyond the lens' aperture range, the camera will automatically shift the shutter speed to always provide correct exposure. The shifted shutter speed will then turn on.

- If the correct shutter speed is faster than that you have selected, the aperture will blink. Make sure the lens is set at its minimum aperture.

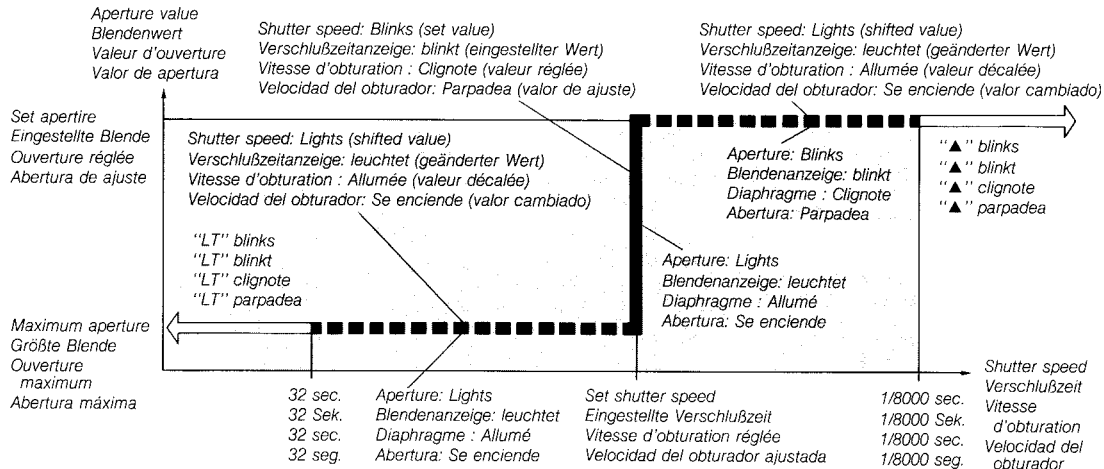
- If an MM type lens is set to an aperture that is not its minimum aperture, the camera will automatically choose an appropriate aperture between the maximum aperture and the aperture being set.

Shutter speed shift and warning in the shutter-speed-priority auto exposure mode

Änderung der Verschlusszeit und Warnung bei Belichtungsautomatik mit Verschlusszeitenvorwahl

Décalage de vitesse d'obturation et avertissement dans le mode d'exposition automatique à priorité à la vitesse

Cambio de velocidad del obturador y advertencia en el modo de exposición automática con prioridad de velocidad del obturador.



< Over/Underexposure Warning in Auto Exposure >

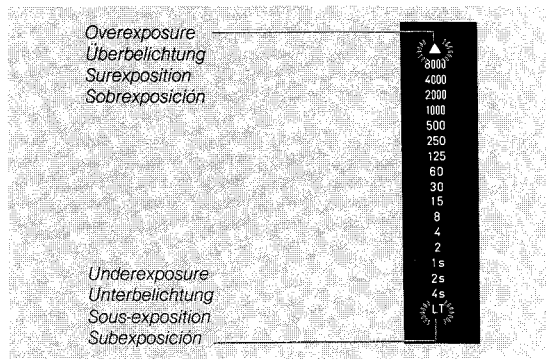
Overexposure warning

If the mark "▲" blinks in the shutter speed scale on the right edge of the viewfinder, it means overexposure. Because the subject is too bright, readjust the aperture so that any speed indicator turns on with steady light. It is also possible to reduce the light intensity with an optional ND filter.

Underexposure warning

If "LT" blinks on the shutter speed scale, it means underexposure. Because the subject is too dark, use an additional light to brighten up the subject or change the aperture so that "LT" stops blinking. Also, a dedicated flash unit will let you take correctly exposed pictures.

- Even when an over- or underexposure warning appears, you can take pictures by depressing the shutter release.



< Cautions on Use of Accessories >

If you use a lens with its maximum aperture smaller than f/5.6 or an accessory with which the lens' automatic diaphragm does not operate (Auto Bellows PC, Microscope Adapter, Extension Ring 7.5mm, Reverse Adapter, etc.), be careful about the following things:

- ① Though the aperture displayed in the viewfinder is fixed at "1.4", the camera's light metering system will operate properly.
- ② Shutter-speed-priority auto exposure is not possible. Take pictures by using aperture-priority auto exposure or manual exposure.

< Using the Eyepiece Shutter >

If you are taking auto-exposure pictures (Av or Tv mode) with the self-timer or remote control system, the exposure may be affected by extraneous light entering through the viewfinder eyepiece because you remove your face from the eyepiece. In this case, block the eyepiece with the eyepiece shutter or use the AE lock.

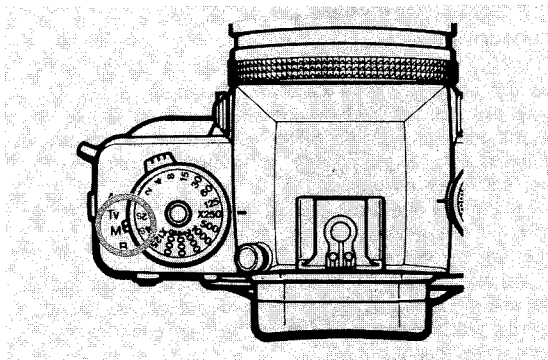
< Hinweise zum Gebrauch von Kamerazubehör >

Die folgenden Hinweise sind bei Verwendung eines Objektivs mit einer Lichtstärke unter f/5,6 oder anderen Kamerazubehörs zu beachten, das mit der automatischen Blendenübertragung der Kamera nicht kompatibel ist (Auto-Balgen PC, Mikroskopadapter, Zwischenring 7,5 mm, Umkehrring usw.):

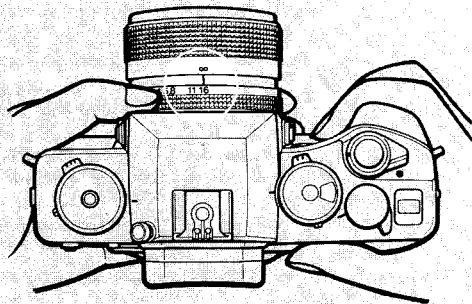
- ① Die Blendenanzeige im Sucher zeigt stets "1.4", doch die Meßfunktion arbeitet normal.
- ② Bei Gebrauch dieses Zubehörs sind keine Aufnahmen mit Verschußzeitenvorwahl-Belichtungsautomatik möglich. Verwenden Sie statt dessen die Betriebsarten Belichtungsautomatik mit Blendenvorwahl oder manuelle Belichtung.

< Gebrauch des Okularschutzes >

Wenn Aufnahmen mit Belichtungsautomatik (Av oder Tv) über Selbst- oder Fernauslöser gemacht werden, wird die Belichtung durch Streulicht beeinträchtigt, das durch das Sucherokular eintritt, wenn Sie Ihr Gesicht wegbewegen. In einem solchen Fall empfiehlt es sich, das Okular mit dem mit der Kamera gelieferten Okularschutz zu blockieren oder die AE-Verriegelung zu verwenden.

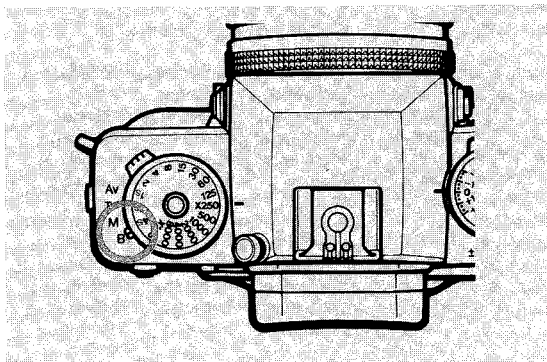


1 Set the exposure mode selector lever to “M”.



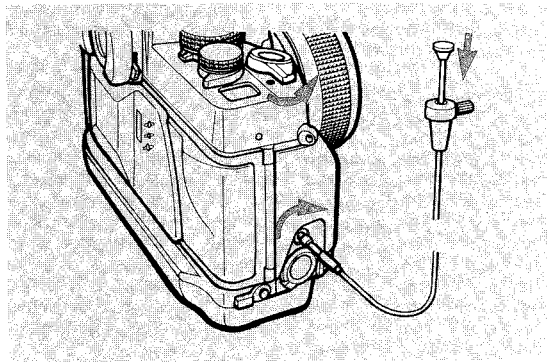
2 Set the shutter speed and aperture and shoot.
The shutter speed can be set by turning the shutter speed dial, and the aperture with the aperture ring. In the viewfinder, the shutter speed you have set will blink and the correct shutter speed selected by the camera will light. Operate the shutter speed dial or aperture ring so that the same shutter speed lights.

Bulb Exposure



Set the exposure mode selector lever to "B". As long as the shutter release is depressed, the shutter will open to expose the film. To prevent camera shake, mount the camera on a tripod or a stable support and trip the shutter with an optional Cable Switch L by connecting it to the camera's cable release socket.

- In the bulb exposure mode, the exposure counter will indicate the time that has passed during bulb exposure. It will count from "00" to "59 (seconds)" and repeat this display after that.



< Cable Release Socket for Bulb Exposure >

The shutter can be opened for any desired period of time by connecting a commercially available mechanical cable release to this socket. This method is suited for taking photographs of stars which require long exposure, because batteries are not spent during exposure in contrast with the above-mentioned bulb exposure. However, the exposure counter does not show the exposure time.

- 1 Set the exposure mode selector lever to "B".

- 2** Set the main switch to "ON", press the mechanical cable release and lock it.
 - 3** If you depress the camera's shutter release, the shutter will open to expose the film. There is no need to hold it depressed.
 - 4** You can expose the film for any desired period of time. The batteries are not spent during this period.
 - 5** If you release the lock of the mechanical cable release, the shutter will close to stop shooting.
- Do not connect the optional electric cable release to this cable release socket for bulb exposure, because it does not operate.
 - If you use a mechanical cable release which goes back slightly when it is locked, make preliminary test before using it because it may not be able to keep the shutter open. In this case, take your picture while pushing on it with your hand without using the lock mechanism.
 - Bulbs exposure of 32 seconds or longer can be made in any exposure mode.



The Contax RTS III provides two metering methods: Center-weighted average light and spot metering in a \varnothing 3mm spot in the center of the viewfinder. Choose the method best suited for your shooting object and conditions and set it with the metering mode selector lever.

< Center-weighted Average Light Metering > (☐)

In this method, the camera measures the light intensity with emphasis on the subject in the center of the viewfinder and also takes into account the brightness in the surrounding area to determine the exposure value. As it reacts well to fluctuations of light, it is suited for ordinary objects as well as for fast moving objects.

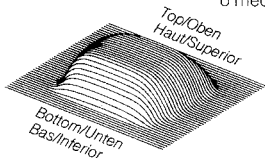
< Spot Metering > (◻)

In this method, the camera measures the brightness of the subject only in a \varnothing 3mm spot in the center of the viewfinder to determine the exposure value. It is suited for shooting backlit portraits or spotlighted stage scenes in which there is a great difference in brightness between the subject and the background, as well as for measuring the light intensity only on a part of the subject.

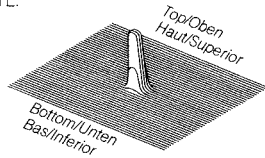
- In the continuous shooting modes (CL and CH), the exposure value measured for the first shot will be applied for a series of shots in continuous exposure.

Metering Sensitivity Chart
Meßempfindlichkeits-Tabelle
Tableau de sensibilité de mesure
Gráfico de sensibilidad de medición

Center-Weighted Average Light Metering
Lichtmessung mit Mittenbetonung
Mesure de lumière moyenne pondérée centrale
Medición de luz promedia centralmente ponderada



Spot Metering
Spotmessung
Mesure ponctuelle
Medición de punto



< Shooting with a Polarizing Filter >

Use a circle polarizing filter. A straight-line polarizing filter may cause a measuring error on spot metering or pre-flash TTL spot metering, because a half-mirror is used in the measuring system. Center-weighted average light metering or TTL direct light metering is recommended in this case.

< Aufnahmen mit Polarisationsfilter >

Achten Sie darauf, ein Kreispolarisationsfilter zu verwenden. Ein gerades Polarisationsfilter kann zu Meßfehlern bei Spotmessung oder Vorblitz-TTL-Spotmessung führen, da ein Halbspiegel in der Meßoptik eingesetzt wird. In einem solchen Fall empfiehlt sich der Gebrauch von Lichtmessung mit Mittenbetonung oder direkter TTL-Lichtmessung.

< Prise de vues avec un filtre polarisant >

Utiliser un filtre polarisant circulaire. Un filtre polarisant à ligne droite peut être la cause d'erreur de mesure sur la mesure ponctuelle ou la mesure ponctuelle TTL pré-flash car un demi-miroir est utilisé dans le système de mesure. La mesure de la lumière moyenne pondérée centrale ou la mesure de la lumière directe TTL sont recommandées dans ce cas.

< Fotografía con un filtro de polarización >

Emplee un filtro de polarización circular. Los filtros de polarización de línea recta pueden causar un error de medición durante la medición de punto o medición de punto TTL antes del flash, porque se utiliza medio espejular en el sistema de medición. En estos casos se recomienda la medición de la luz promedia ponderada centralmente o medición de la luz directa TTL.

ISO	Aperture/Blende/Ouverture/Abertura																				
	1.4	1.8	2.2	2.8	3.6	4.5	5.6	7.1	9.0	11.2	14.0	17.5	22.4	28.0	36.0	45.0	56.0	71.0	90.0	112.0	140.0
6400	1/4	1/4	1/4	1/4	1/4	1/4	1/4	1/4	1/4	1/4	1/4	1/4	1/4	1/4	1/4	1/4	1/4	1/4	1/4	1/4	1/4
3200	1/4	1/4	1/4	1/4	1/4	1/4	1/4	1/4	1/4	1/4	1/4	1/4	1/4	1/4	1/4	1/4	1/4	1/4	1/4	1/4	1/4
1600	1/4	1/4	1/4	1/4	1/4	1/4	1/4	1/4	1/4	1/4	1/4	1/4	1/4	1/4	1/4	1/4	1/4	1/4	1/4	1/4	1/4
800	1/4	1/4	1/4	1/4	1/4	1/4	1/4	1/4	1/4	1/4	1/4	1/4	1/4	1/4	1/4	1/4	1/4	1/4	1/4	1/4	1/4
400	1/4	1/4	1/4	1/4	1/4	1/4	1/4	1/4	1/4	1/4	1/4	1/4	1/4	1/4	1/4	1/4	1/4	1/4	1/4	1/4	1/4
200	1/4	1/4	1/4	1/4	1/4	1/4	1/4	1/4	1/4	1/4	1/4	1/4	1/4	1/4	1/4	1/4	1/4	1/4	1/4	1/4	1/4
100	1/4	1/4	1/4	1/4	1/4	1/4	1/4	1/4	1/4	1/4	1/4	1/4	1/4	1/4	1/4	1/4	1/4	1/4	1/4	1/4	1/4
50	1/4	1/4	1/4	1/4	1/4	1/4	1/4	1/4	1/4	1/4	1/4	1/4	1/4	1/4	1/4	1/4	1/4	1/4	1/4	1/4	1/4
25	1/4	1/4	1/4	1/4	1/4	1/4	1/4	1/4	1/4	1/4	1/4	1/4	1/4	1/4	1/4	1/4	1/4	1/4	1/4	1/4	1/4
12	1/4	1/4	1/4	1/4	1/4	1/4	1/4	1/4	1/4	1/4	1/4	1/4	1/4	1/4	1/4	1/4	1/4	1/4	1/4	1/4	1/4
6	1/4	1/4	1/4	1/4	1/4	1/4	1/4	1/4	1/4	1/4	1/4	1/4	1/4	1/4	1/4	1/4	1/4	1/4	1/4	1/4	1/4

< Metering Range >

This chart shows the relationship of the aperture, shutter speed and EV value, and you can check the metering range of your lens on it. If you are shooting with an ISO 100 film and F1.4 lens in the center-weighted average light metering mode, for example, first find "100" on the ISO column in the Lens Aperture table and locate "1.4" and "16" in this row (the minimum aperture of the Planar T* 50mm is F16).

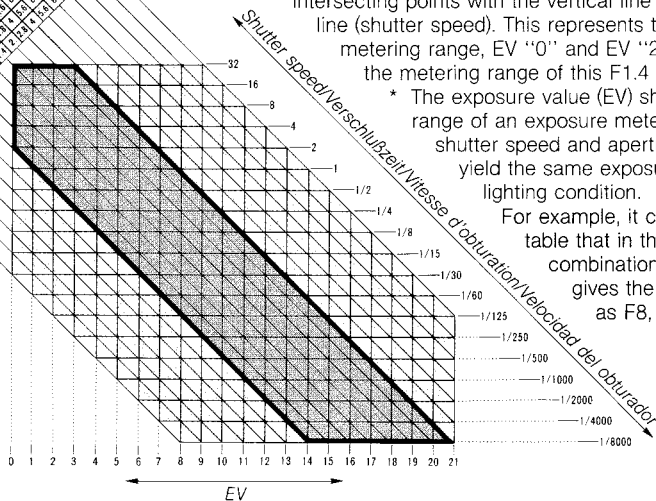
Then, follow the corresponding oblique lines and find their intersecting points with the vertical line (EV) and horizontal line (shutter speed). This represents the limits of the metering range, EV "0" and EV "21", which means that the metering range of this F1.4 lens is EV 0 ~ 21.

* The exposure value (EV) shows the coupling range of an exposure meter and represents the shutter speed and aperture combinations that yield the same exposure effect in a given lighting condition.

For example, it can be seen from the table that in the case of EV 13, a combination of F16, 1/30 sec. gives the same exposure effect as F8, 1/125 sec.

The area marked by colored lines in the table represents the range of shutter speeds from 1/8000 sec. to 32 sec. in which the camera can measure exposure in the auto exposure modes (EV 0 ~ 21).

The range marked by thick lines represents the metering range with an F1.4 lens and ISO 100 film.



Exposure Compensation

If there is a great difference in brightness between the subject and its background, the subject will not be correctly exposed. In this case, use exposure compensation. Exposure compensation can also be used for intentional over- and underexposure. There are three methods:

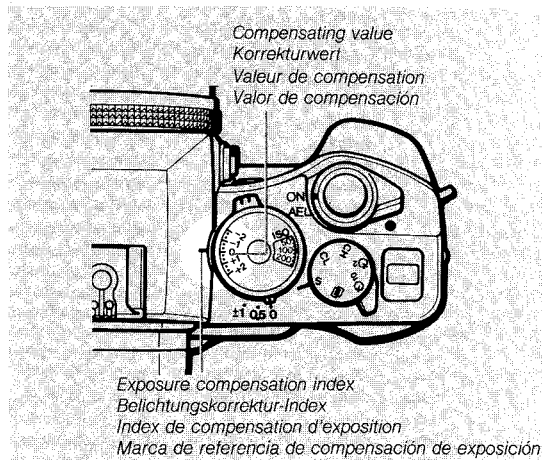
<1> Using the Exposure Compensation Dial

Normally, the exposure compensation dial is set at "0" for aperture-priority auto exposure, shutter-speed-priority auto exposure, and manual exposure. To compensate exposure, however, turn the dial until your desired compensating value comes opposite the exposure compensation index. It can be set in 1/3-EV increments in a range of +2 EV to -2 EV.

In the viewfinder, the "+" or "-" sign will blink to show you that exposure has been compensated.

The camera will change the aperture in the shutter-speed-priority mode depending on the compensating value, and the shutter speed in the aperture-priority mode.

In the manual exposure mode, the shutter speed will be changed. Operate the shutter speed dial or aperture ring so that the blinking shutter speed shifts to fall into one with the lighting shutter speed.



After taking pictures with exposure compensation, be sure to return the dial to "0".

Achten Sie nach beendeten Aufnahmen darauf, den Belichtungskorrekturring auf "0" zurückzustellen.

Après avoir pris les photos avec la compensation d'exposition, toujours ramener le cadran sur "0".

Después de tomar fotografías con la compensación de exposición, asegúrese de volver a colocar el aro a "0".



For backlighting subjects

Exposure compensation of “+ 1/3” ~ “+ 2”

If you are shooting your subject against the light, under a bright sky, on an ocean beach, in front of a window, and so on, where the greater part of your picture is occupied by a bright background, the subject will be underexposed and turn out dark like a silhouette when it is taken on center-weighted average light metering. In such cases, use exposure compensation of + 1/3 ~ + 2 to give more exposure.



For spotlighted subjects

Exposure compensation of “- 1/3” ~ “- 2”

If you are shooting a spotlighted subject on a stage where a dark background predominates in the scene, it will be underexposed and turn out light when it is taken on center-weighted average light metering. In such cases, use exposure compensation of - 1/3 ~ - 2 to reduce the amount of light on it.



<2> Using the AE Lock

The AE lock is used for storing the exposure value (combination of shutter speed and aperture) of the subject in memory during auto exposure. If the main switch is set to "AEL", the exposure value at that time will be stored in the camera memory so that you can trip the shutter with the same exposure value, unaffected by changes in brightness on the background.

1 First, face the central part of the viewfinder toward your subject then switch the main switch from "ON" to "AEL". The exposure will thus be locked.

To measure exposure in a narrow area and lock it, set the metering mode selector lever for spot metering and use the AE lock.

- The metering mark in the viewfinder will blink while the AE lock is activated.
- You can take pictures with the same exposure value as many times as you want while the exposure is locked.
- The exposure value will remain locked even if the metering mode is switched while the AE lock is activated.



- If you change the film speed or switch the exposure compensation while the AE lock is activated, exposure is made as follows:

Av mode: The shutter speed will change.
Tv mode: The aperture will change.

- Set the main switch to "AEL" when the display in the viewfinder lights.

2 Recompose your subject and shoot.

- The exposure value will remain in memory while the AE lock is activated, but the display will turn off after 16 seconds to save battery.
- In the continuous-shooting modes ("CL" and "CH"), you can take pictures in succession with the same exposure value, unaffected by changes in brightness on the background, if you have locked the exposure.
- This camera stores in memory the exposure value in a combination of shutter speed and aperture. For example, if the aperture is changed in the "Av" mode after the AE lock is activated, the shutter speed will follow to maintain the same exposure value.

- Wenn Sie die Einstellung der Filmempfindlichkeit oder der Belichtungskorrektur bei aktiviertem Meßwertspeicher ändern, wird die Belichtung wie folgt geändert:

Av-Betriebsart: Die Verschlusszeit ändert sich.
Tv-Betriebsart: Die Blende ändert sich.

- Stellen Sie den Hauptschalter auf "AEL", wenn die Anzeige im Sucher sichtbar ist.

2 Wählen Sie wieder den ursprünglichen Bildausschnitt und machen Sie die Aufnahme.

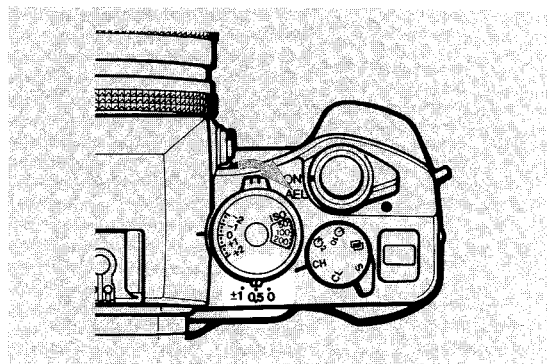
- Der Belichtungswert bleibt solange gespeichert, wie der Meßwertspeicher aktiviert ist, doch die Anzeige im Sucher verschwindet nach 16 Sekunden, um die Batterien zu schonen.
- Wenn der Belichtungswert des Motivs bei Serienaufnahmen (Filmtransport "CL" oder "CH") über den Meßwertspeicher festgehalten wurde, werden alle Aufnahmen identisch belichtet, ohne daß Helligkeitsänderungen des Hintergrunds berücksichtigt werden.
- Diese Kamera speichert den Belichtungswert als eine Kombination von Verschlusszeit und Blende. Wenn Sie bei aktiviertem Meßwertspeicher in der Betriebsart "Av" beispielsweise die Blendeneinstellung verändern, so ändert die Kamera automatisch die Verschlusszeit auf einen der neuen Blende entsprechenden Wert, um den Belichtungswert konstant zu halten.

<3> Using the A.B.C. Mode (Automatic Bracketing Control)

This mode allows you to take pictures successively in three steps of different exposure (standard, over- and underexposure) while watching the subject in the viewfinder. Freed from the trouble of exposure determination even under very subtle exposure conditions, you can keep your finger on the shutter release to capture any shooting opportunity.

1 Move the A.B.C. lever and set the compensating value. The camera will switch to the A.B.C. mode. The compensating values of ± 0.5 EV and ± 1 EV are available.

This function can be used in the following exposure modes, and automatic exposure compensation is effected through the shutter speed or aperture.



Exposure Mode/Belichtungsbetriebsart	Control Item/Geänderte Einstellung
Aperture-priority auto exposure (Av) Belichtungsautomatik mit Blendenvorwahl (Av)	Shutter speed Verschlußzeit
Shutter-speed-priority auto exposure (Tv) Belichtungsautomatik mit Verschlusszeitenvorwahl (Tv)	Aperture (If it is beyond the aperture control range, the shutter speed will automatically be controlled.) Blende (Wenn der richtige Blendenwert außerhalb des Steuerbereiches liegt, wird die Verschlusszeit automatisch geändert.)
Manual exposure (M) Manuelle Belichtung (M)	Shutter speed Verschlußzeit

- If the exposure compensation dial is set to other positions than "0", the A.B.C. mode is established on the basis of the compensating value being set.




- If you want to shoot unaffected by changes in brightness in the surroundings, it is recommended to use the AE lock in the A.B.C. mode, too.

- After taking pictures in the A.B.C. mode, be sure to return the A.B.C. lever to "0".

- Flash pictures cannot be taken in the A.B.C. mode.

2 If you set the drive mode to "CL" or "CH" (continuous exposure) and continue to depress the shutter release, exposure will be effected in the order of standard exposure, over- (+) and underexposure (-) depending on the compensating value. After exposing three frames, the camera will stop.

This mode can be used repeatedly by depressing the shutter release again.

- If you set the drive mode to "S" or "", you can take pictures frame by frame in the A.B.C. mode. If you set it to " 2" or " 10", you can take pictures continuously 2 or 10 seconds after depressing the shutter release.

- Wenn sich der Belichtungskorrekturring auf einer anderen Einstellung als "0" befindet, arbeitet die A.B.C.-Betriebsart auf der Grundlage des jeweils eingestellten Korrekturwerts.




- Wenn Helligkeitsänderungen im Umfeld des Motivs nicht berücksichtigt werden sollen, empfiehlt sich auch in der A.B.C.-Betriebsart der Gebrauch des Meßwertspeichers.

- Achten Sie nach beendeten Aufnahmen in der A.B.C.-Betriebsart darauf, den A.B.C.-Schieber auf "0" zurückzustellen.

- Diese Funktion steht bei Blitzaufnahmen nicht zur Verfügung.

2 Wenn Sie eine Serienaufnahmen-Betriebsart einstellen (Filmtransport "CL" oder "CH") und den Auslöser durchgedrückt halten, so werden je nach Korrekturwert drei Aufnahmen hintereinander gemacht, und zwar in der Reihenfolge Normalbelichtung, Überbelichtung ("+") und Unterbelichtung ("-"). Nach der dritten Aufnahme hält der Film an.

Sie können diese Betriebsart wiederholt verwenden, indem Sie den Auslöser erneut drücken.

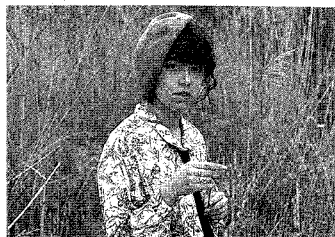
- Bei Einstellung auf Filmtransport "S" oder "" lassen sich Einzelaufnahmen in der A.B.C.-Betriebsart machen. Bei Wahl der Einstellung " 2" oder " 10" werden die Serienaufnahmen 2 bzw. 10 Sekunden nach Drücken des Auslösers gemacht.



*Standard Exposure
Normalbelichtung
Exposition standard
Exposición estándar*



*Overexposure
Überbelichtung
Surexposition
Sobrexposición*



*Underexposure
Unterbelichtung
Sous-exposition
Subexposición*

In the A.B.C. mode, the exposure counter will change in the following order to show the order of shots.
Example: Pictures are taken in the A.B.C. mode from the frame No. 18.

*Frame No. 18
Standard
Exposure*

*Frame No. 19
Overexposure*

*Frame No. 20
Underexposure*

*Frame No. 21
Standard
Exposure
(repeated)*



*Blinks on
both sides.*



*Blinks on
left side.*



*Blinks on
right side.*



*Blinks on
both sides.*

- If the camera's control range is exceeded by the compensating value, the limiting compensation value will apply.
- To cancel the A.B.C. mode after it has been activated, set the A.B.C. lever to "0".

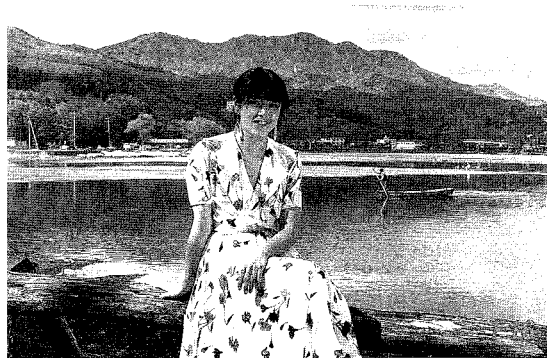
- If the main switch is set to "OFF" and then to "ON" again in the A.B.C. mode, three frames will be exposed again in the A.B.C. mode as described above.

Depth of Field



When the lens is focused on a subject, not only the subject itself, but also a certain zone in front of and behind it will turn out sharp in the picture. This is called the depth of field of a lens and it varies as follows:

① The smaller the aperture, the wider the depth of field, and vice versa.

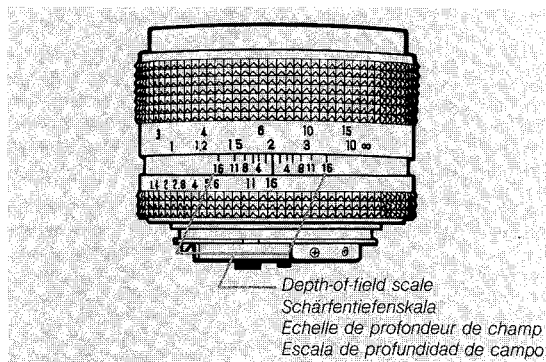


② The longer the subject distance, the wider the depth of field, and vice versa.

③ The zone of sharpness behind the point on which the lens is focused is wider than that in front of it. In the case of different lenses, lenses with a shorter focal length have a wider depth of field than those with a longer focal length.

< Depth of Field Scale >

The zone of sharpness can be checked on the depth-of-field scale of a lens. For example, if you use an F1.4, 50 mm lens and shoot a subject at 2 m with an aperture of F16, all objects within the range between the two "16" on the scale, that is, from approximately 1.4 m to 5 m, will turn out sharp in your picture.

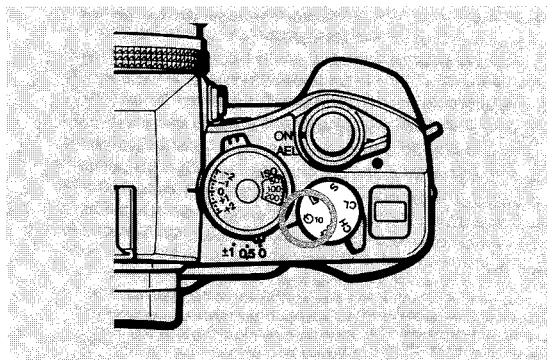


< Aperture Stop-down Button >

The lens will always remain wide open to provide a clearer view through the viewfinder. However, it can be stopped down to your desired aperture by depressing this button (the image in the viewfinder will become darker accordingly) to check the depth of field or the blurred effect on the background.

- While you keep your finger on the aperture stop-down button, you cannot trip the shutter by depressing the shutter release.
- The aperture cannot be stopped down in the Tv mode.

Using the Self-timer



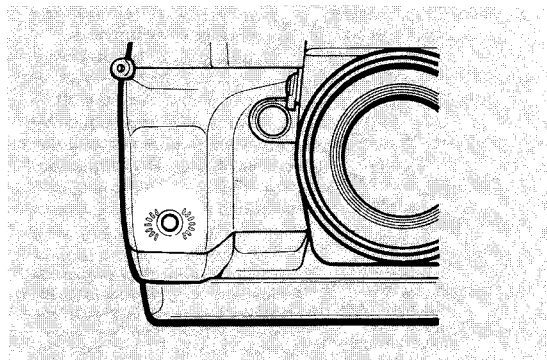
The self-timer will operate with a delay of 2 or 10 seconds.

1 Focus the lens on your subject and set the drive mode selector dial to "2" or "10".

- The self-timer cannot be used when the camera is set for bulb exposure.
- To shoot with the self-timer, mount the camera on a tripod.

2 Start the self-timer by depressing the shutter release. The shutter will trip after 2 or 10 seconds.



While the self-timer is operating, the exposure counter will show the remaining time in seconds until the shutter trips and the self-timer LED will blink.

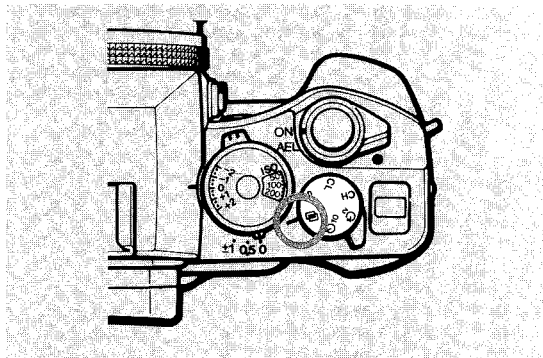


- In the auto exposure modes (Av or Tv), block the viewfinder eyepiece with the eyepiece shutter or use the AE lock so that the exposure is not affected by light entering through the eyepiece.
- If the shutter release is depressed while the self-timer is operating, the exposure counter will return to 00 and count the remaining time.
- The self-timer will stop in the following cases:
 - ① When the main switch is set to OFF;
 - ② When the drive mode is switched;
 - ③ When the rewind lever is set to ON;
 - ④ When the aperture stop-down button is depressed;
 - ⑤ When the exposure mode is set to "B".

Multiple Exposure

Special photographic effects are obtained by multiple exposures of the same image or different images on the same frame.

- 1** Lift up the drive mode selector dial and set it to “” (multiple exposure).
- 2** Make the first exposure by depressing the shutter release. As soon as the shutter trips, the drive mode will automatically be reset to “S” and the shutter will be cocked for the next exposure. The film will not advance and the exposure counter will not move.
- 3** Make the second exposure by depressing the shutter release again. For multiple exposures of three or more times, repeat the foregoing steps **1** and **2**, or fix the drive mode selector dial at “” with your finger and depress the shutter release each time.



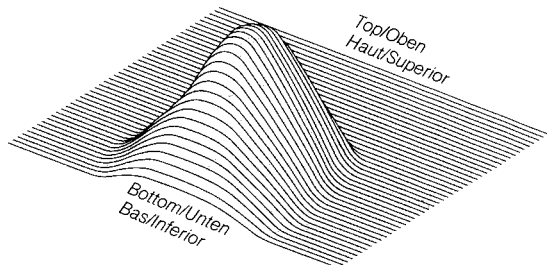
< TLA Flash System and Pre-flash Capability >

In combination with the Contax TLA Flash System, the Contax RTS III enables "TTL direct light metering" which automatically controls the flash light on the camera. The pre-flash unit can fire pre-flash for TTL spot metering before shooting, to enable more accurate exposure control on flash than in the case of conventional cameras. This pre-flash capability can be used on a Contax TLA flash unit as well as an ordinary flash unit having an X contact only that is not provided with a dedicated flash contact.

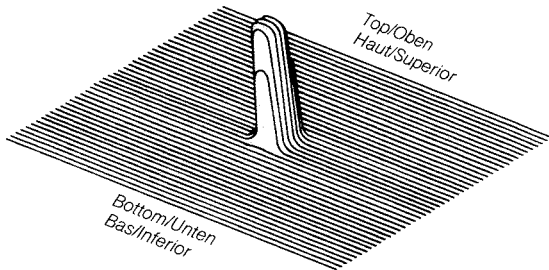
- In flash photography, the automatic aperture setting does not operate in any exposure mode.
- Our flash units (CS-250 AF and others) using a coupling contact cannot be used excepting Contax-brand ones.



TTL Direct Light Metering Sensitivity Chart
Empfindlichkeitstabelle für direkte TTL-Lichtmessung
Tableau de sensibilité de mesure au flash directe TTL
Gráfico de sensibilidad de medición de luz directa TTL



Pre-flash Metering Sensitivity Chart
Vorblitz-Meßempfindlichkeitstabelle
Tableau de sensibilité de mesure pre-flash
Gráfico de sensibilidad de medición del flash previo



< Taking Pictures on TTL Direct Light Metering >

1 Mount the TLA flash unit on the camera.

Set the flash unit to "TTL AUTO" and turn on the power switch.

As soon as the flash is fully charged, the mark "⚡" will turn on in the viewfinder and the shutter speed will automatically be set depending on the camera's exposure mode.

Aperture-priority auto exposure (Av)

Metering value in natural light	Automatically set shutter speed (display)
LT ~ 1/60 sec.	60 (blinking)
1/60 ~ 1/250 sec.	60 ~ 250 (blinking)*
1/250 ~ 1/8000 sec.	250 (blinking)*

Shutter-speed-priority auto exposure (Tv)

Shutter speed setting on the dial	Automatically set shutter speed (display)
4 ~ 1/250 sec.	4s ~ 250 (same value as that on the dial)
1/500 ~ 1/8000 sec.	250 (blinking)*

* The automatically set shutter speeds of 1/250 sec. (blinking) marked with an * are actually 1/200 sec.

< Blitzaufnahmen mit direkter TTL-Lichtmessung >

1 Bringen Sie das TLA-Blitzgerät an der Kamera an.

Stellen Sie das Blitzgerät auf "TTL AUTO" und schalten Sie das Blitzgerät ein.

Sobald der Blitz vollständig aufgeladen ist, erscheint das Blitzsymbol "⚡" im Sucher, und die Verschlusszeit wird automatisch entsprechend der Belichtungsbetriebsart der Kamera eingestellt.

Belichtungsautomatik mit Blendenvorwahl (Av)

Meßwert bei natürlichem Licht	Automatisch eingestellte Verschlusszeit (Anzeige)
LT ~ 1/60 Sek.	60 (blinkt)
1/60 ~ 1/250 Sek.	60 ~ 250 (blinkt)*
1/250 ~ 1/8000 Sek.	250 (blinkt)*

Belichtungsautomatik mit Verschlusszeitenvorwahl (Tv)

Mit Verschlusszeiten-Wahlring eingestellte Verschlusszeit	Automatisch eingestellte Verschlusszeit (Anzeige)
4 ~ 1/250 Sek.	4s ~ 250 (gleicher Wert wie am Wahlring eingestellt)
1/500 ~ 1/8000 Sek.	250 (blinkt)*

* Wenn als automatisch eingestellte Verschlusszeit "1/250" (blinkt) Sek. angezeigt wird, beträgt die tatsächliche Verschlusszeit in den mit einem Sternzeichen (*) in der Tabelle gekennzeichneten Fällen 1/200 Sek.




Manual (M) and bulb (B) exposure

- Be sure to set the shutter speed to 1/250 sec. or slower because the automatic shutter speed setting does not work in these modes.
- The shutter speed you have set will blink and the metering value in natural light will turn on.
- To prevent operating error, it is recommended to set the shutter speed dial to "X125" (locked position).

2 Set the aperture and shoot.

After shooting, the light adjustment result will be displayed for 4 seconds on the flashmeter in the viewfinder.

Display of Light Adjustment

Result of Light Adjustment	Display	
Correct	-2 -1  +1 +2	(lighting)
Over	-2 -1  +1 +2	(blinking)
Under	-2 -1  +1 +2	(blinking)




Manuelle Belichtung ("M") und Zeitaufnahmen ("B")

- Achten Sie darauf, eine Verschlusszeit von 1/250 Sek. oder länger einzustellen, da die automatische Korrektur der Verschlusszeit in diesen Betriebsarten nicht zur Verfügung steht.
- Die Anzeige der von Ihnen eingestellten Verschlusszeit blinkt, und der bei natürlichem Licht gemessene Wert erscheint.
- Um einen Bedienungsfehler auszuschließen, empfiehlt es sich, den Verschlusszeiten-Wahlring in der Stellung "X125" zu verriegeln.

2 Stellen Sie die gewünschte Blende am Objektiv ein und machen Sie die Aufnahme.

Nach der Aufnahme wird das Ergebnis der Lichtmengenregelung 4 Sekunden lang auf dem Blitzmesser im Sucher angezeigt.

Anzeige der Lichtmengenregelung

Ergebnis der Lichtmengenregelung	Anzeige	
Richtige Belichtung	-2 -1  +1 +2	(leuchtet)
Überbelichtung	-2 -1  +1 +2	(blinkt)
Unterbelichtung	-2 -1  +1 +2	(blinkt)

Caution

- If the flashmeter displays "over" or "under", it means that the result is outside the light adjustment range. Change the aperture or shooting distance and shoot.
- The result of light adjustment on TTL direct light metering is displayed in three steps: "Correct", "over" and "under". No intermediate position is displayed.
- Be sure to set the A.B.C. lever to "0".
- Set the drive mode to the single-frame or self-timer modes. It is impossible to take flash pictures in the continuous shooting modes (CL and CH).
- The coupling range of film speeds is ISO 25 ~ 400 (without exposure compensation).

< Slow-shutter Synchronization Using a TLA Flash Unit >

Slow-shutter synchronization at 1/30 sec. or slower is effective for taking nighttime pictures and twilight scenes with flash.

This camera facilitates slow-shutter synchronization in combination with a TLA flash unit.

In the exposure mode "Av":

Set the main switch at "AEL".

Because the shutter speed is fixed at the metering value in natural light, make sure the flash is fully charged before you shoot.

Vorsicht

- Wenn der Blitzmesser eine Über- oder Unterbelichtung anzeigt, bedeutet dies, daß sich das Ergebnis außerhalb des Bereichs der Lichtmengenregelung befindet. Verändern Sie in einem solchen Fall die Blendeneinstellung oder Aufnahmeentfernung und machen Sie die Aufnahme.
- Das Ergebnis der Lichtmengenregelung bei direkter TTL-Lichtmessung wird in drei Stufen angezeigt: richtige Belichtung, Überbelichtung und Unterbelichtung. Zwischenwerte werden nicht angezeigt.
- Achten Sie darauf, daß der A.B.C.-Schieber auf "0" eingestellt ist.
- Stellen Sie als Filmtransport-Betriebsart entweder Einzel- oder Selbstauslöseraufnahmen ein. In den Serienaufnahmen-Betriebsarten ("CL" und "CH") sind keine Blitzaufnahmen möglich.
- Der Kopplungsbereich der Filmempfindlichkeit beträgt ISO 25 bis 400 (ohne Belichtungskorrektur).

< Synchronisation bei langen Verschußzeiten mit einem TLA-Blitzgerät >

Eine Blitzsynchronisation mit langen Verschußzeiten von 1/30 Sek. oder länger ist besonders wirksam bei Blitzaufnahmen von Nachtszenen und in der Dämmerung.

Bei dieser Kamera wird die Blitzsynchronisation mit langen Verschußzeiten bei Verwendung eines TLA-Elektronenblitzes stark vereinfacht.

In Belichtungsbetriebsart "Av":

Stellen Sie den Hauptschalter auf "AEL".

Überzeugen Sie sich, daß der Blitz vor der Aufnahme vollständig aufgeladen ist, da die Verschußzeit auf den bei natürlichem Licht gemessenen Wert fixiert wird.

In the exposure mode “Tv” or “M”:

After the flash is fully charged, operate the shutter speed dial or aperture ring so that the set shutter speed (blinking) and the metering value (lighting) coincide, then shoot.

- When you take slow-shutter synchro flash pictures, use a tripod to prevent camera shake with a slow shutter speed.

■ Daylight flash

Subjects under direct sunlight or backlighted subjects will turn out dark without exposure compensation or fill-in flash. If you use flash as fill-in light in such cases, both the subject and background will be beautifully exposed.

- If the metering value in natural light turns on at 1/500 sec. or faster, stop down the aperture so that the shutter speed is reduced to 1/250 sec. or slower.

- If you are shooting in the exposure mode “M”, be sure to set the shutter speed to 1/250 sec. or slower.

■ Using the exposure compensation dial

If you want to enhance the effect by adjusting the flash light, use the exposure compensation dial.

In Belichtungsbetriebsart “Tv” oder “M”:

Betätigen Sie nach vollständigem Aufladen des Blitzes den Verschlusszeiten-Wahring bzw. den Blendenring, so daß die Anzeige der vorgewählten Verschlußzeit (blinkt) und die des Meßwertes (leuchtet) übereinstimmen, und machen Sie dann die Aufnahme.

- Bringen Sie die Kamera bei Beitzufnahmen mit Synchronisation bei langen Verschlußzeiten an einem Stativ an, um ein Verwackeln zu verhindern.

■ Tageslicht-Blitzaufnahmen

Motive in direkter Sonneneinstrahlung oder im Gegenlicht erscheinen oft dunkel im Bild, wenn die Aufnahmen ohne Belichtungskorrektur oder Aufhellblitz gemacht werden. Wenn Sie in einem solchen Fall mit Tageslichtblitz arbeiten, werden Motiv und Hintergrund einwandfrei belichtet.

- Wenn die Anzeige des bei natürlichem Licht gemessenen Wertes bei einer Verschlußzeit von 1/500 Sek. oder kürzer aufleuchtet, schließen Sie die Blende soweit, daß die Verschlußzeit auf 1/250 Sek. oder länger erhöht wird.

- Achten Sie bei Blitzaufnahmen in der Belichtungsbetriebsart “M” darauf, eine Verschlußzeit von 1/250 Sek. oder länger einzustellen.

■ Gebrauch des Belichtungskorrekturrings

Der Belichtungskorrekturring kann dazu verwendet werden, die Blitzlichtmenge so zu regeln, daß gewünschte Effekte erzielt werden.

< Pre-flash TTL Automatic Flash >

If you pre-flash with a TLA flash unit, the adjusted flash duration (amount of flash light) can be memorized.

1 Mount the TLA flash unit on the camera.

- Regarding the exposure mode, shutter speed and display, refer to "Taking Pictures on TTL Direct Light Metering".

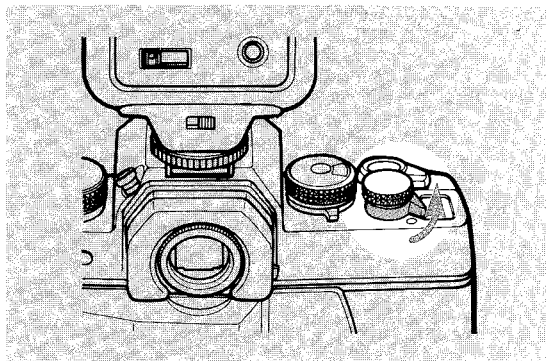
2 Turn on the power switch of the flash unit and make sure that it has been fully charged.

- If you have used additional flash with the TLA additional flash system, make sure all of these flash units have been fully charged.

3 Set the aperture, face the camera toward the subject on which you want to measure exposure, and turn the pre-flash lever of the flash unit in the direction of the arrow.

The camera will automatically stop down the aperture and fire the flash (but without taking a picture). An error relative to the correct value will be displayed in a range of ± 2 EV on the flashmeter in the viewfinder, and the adjusted flash duration (amount of flash light) will be memorized at the same time.

- The light metering area is inside a $\varnothing 5$ mm circle in the center of the viewfinder (a circle outside the microprism).



- 4** If the flashmeter indicates the correct value, make sure the flash is fully charged and shoot. If it indicates other values, adjust the aperture so that it indicates the correct value and shoot. If it is impossible to adjust with the aperture, or if the measured value blinks because the error exceeds ± 2 EV, readjust the aperture and use pre-flash again.
- The adjusted flash duration (amount of flash light) will be kept in memory unless the pre-flash lever is returned to its original position, so you can shoot as many times as you want with the same flash duration (amount of flash light).
 - If exposure compensation has been made before pre-flash is activated, an error will be displayed in a range of ± 2 EV around the compensated value.
 - The coupling range of film speeds is ISO 25 ~ 800 (without exposure compensation).

< Pre-flash TTL Manual Flash >

The Pre-flash TTL manual flash mode can be used for TTL metering with pre-flash when you use a TLA flash unit in the manual mode or an ordinary flash unit.

- 1** Mount the flash unit on the camera's accessory shoe or connect it to the sync terminal.
- 2** Set the camera's exposure mode to "M". Set the shutter speed to 1/250 sec. or slower and set the aperture.
 - To prevent operating error, it is recommended to set the shutter speed dial to "X125" (locked position).

- 4** Wenn der Blitzmesser den richtigen Wert anzeigt, vergewissern Sie sich, daß der Blitz vollständig aufgeladen ist, und machen die Aufnahme. Wird ein anderer Wert angezeigt, verändern Sie die Blendeneinstellung, bis der richtige Wert erscheint, und machen die Aufnahme. Läßt sich der richtige Wert durch eine Veränderung der Blendeneinstellung nicht erzielen, oder wenn die Anzeige des gemessenen Wertes blinkt, weil die Abweichung ± 2 EV überschreitet, stellen Sie die Blende neu ein und verwenden den Vorblitz erneut.
- Da die geregelte Blitzdauer (Blitzlichtmenge) gespeichert bleibt, bis Sie den Vorblitzschieber in seine Ausgangsstellung zurückdrehen, können Sie eine beliebige Anzahl von Blitzaufnahmen mit der identischen Blitzdauer (Lichtmenge des Blitzes) machen.
 - Falls die Belichtungskorrektur vor Verwendung des Vorblitzes aktiviert wurde, wird eine Abweichung innerhalb eines Bereiches von ± 2 EV vom Korrekturwert angezeigt.
 - Der Kopplungsbereich der Filmempfindlichkeit beträgt ISO 25 bis 800 (ohne Belichtungskorrektur).

< Manuelle TTL-Blitzaufnahmen mit Vorblitz >

Bei Einsatz eines TLA-Blitzgeräts in der manuellen Betriebsart oder eines herkömmlichen Blitzgeräts kann die manuelle TTL-Blitzbetriebsart mit Vorblitz zur TTL-Lichtmessung mit Vorblitz verwendet werden.

- 1** Befestigen Sie das Blitzgerät am Zubehörschuh der Kamera oder schließen Sie es an den Synchronisationsanschluß an.
- 2** Stellen Sie die Kamera auf die Belichtungsbetriebsart "M" ein. Wählen Sie eine Verschußzeit von 1/250 oder länger und stellen Sie die gewünschte Blende ein.
 - Um einen Bedienungsfehler auszuschließen, empfiehlt es sich, den Verschußzeiten-Wählring in der Stellung "X125" zu verriegeln.

3 Make sure that all connected flash units are fully charged. Face the camera toward the subject on which you want to measure exposure, and turn the pre-flash lever.

The camera will automatically stop down the aperture and fire the flash (but without taking a picture).

An error relative to the correct value will be displayed in a range of ± 2 EV on the flashmeter in the viewfinder.

- The light metering area is inside a \varnothing 5mm circle in the center of the viewfinder (a circle outside the microprism).

4 If the flashmeter indicates the correct value, make sure the flash is fully charged and shoot.

If it indicates other values, adjust the aperture so that it indicates the correct value and shoot.

If it is impossible to adjust the aperture, or if the measured value blinks because the error exceeds ± 2 EV, readjust the aperture and use pre-flash again.

- Because some large-size flash units do not synchronize at 1/250 sec., it is recommended to make preliminary tests before use.

- The pre-flash is designed to fire by means of an electronic switch. Therefore, some flash units do not enable light metering by pre-flash with the flashmeter.

3 Überzeugen Sie sich, daß alle angeschlossenen Blitzgeräte vollständig aufgeladen sind. Richten Sie die Kamera auf das Motiv, auf dem der Belichtungswert gemessen werden soll, und drehen Sie den Vorblitzschieber. Danach schließt die Kamera die Blende automatisch, und der Blitz wird ausgelöst (ohne eine Aufnahme zu machen).

Auf dem Blitzmesser im Sucher wird die Abweichung gegenüber dem richtigen Wert innerhalb eines Bereiches von ± 2 EV angezeigt. Gleichzeitig wird die geregelte Blitzdauer (Lichtmenge des Blitzes) gespeichert.

- Der Lichtmeßbereich liegt innerhalb eines Kreises mit einem Durchmesser von 5 mm in der Suchermitte (der Kreis außerhalb des Mikroprismenkreises).

4 Wenn der Blitzmesser den richtigen Wert anzeigt, vergewissern Sie sich, daß der Blitz vollständig aufgeladen ist, und machen die Aufnahme.

Wird ein anderer Wert angezeigt, verändern Sie die Blendeneinstellung, bis der richtige Wert erscheint, und machen die Aufnahme.

Läßt sich der richtige Wert durch eine Veränderung der Blendeneinstellung nicht erzielen, oder wenn die Anzeige des gemessenen Wertes blinkt, weil die Abweichung ± 2 EV überschreitet, stellen Sie die Blende neu ein und verwenden den Vorblitz erneut.

- Einige große Blitzgeräte (Studioblitz) benötigen eine längere Synchronisationszeit als 1/250 Sek. Beachten Sie die Angaben des Blitzherstellers.

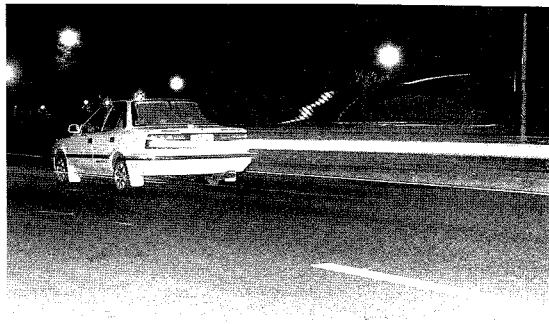
- Der Vorblitz wird über einen elektronischen Schalter ausgelöst. Daher steht bei bestimmten Blitzgeräten mit dem Blitzmesser keine Lichtmessung über Vorblitz zur Verfügung.

< Second Curtain Synchronization >

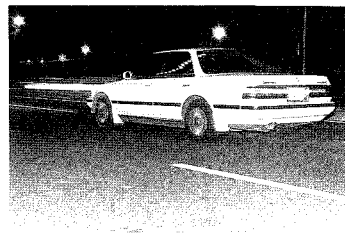
Second curtain synchronization is very useful for shooting moving objects using slow-shutter synchronization. In ordinary flash photography, the flash is fired immediately after the first curtain of the shutter has completed traveling (first curtain synchronization). In combination with the TLA 280, however, the Contax RTS III can fire the flash just before the second curtain starts traveling (second curtain synchronization).

Behind the subject illuminated by flash light, the movement of the subject illuminated by natural light will be captured like a flowing line so that its natural movement is depicted clearly.

- The exposure is controlled in the same way as in the case of first curtain synchronization.
- Second curtain synchronization is not possible for bulb exposure using a mechanical cable release.



*Picture taken with second curtain synchronization
Aufnahme mit zweiter Verschlusslamellen-Synchronisation
Photo prise avec synchronisation du deuxième rideau
Fotografía tomada con sincronización de la segunda cortina*



*Picture taken with first curtain synchronization
Aufnahme mit erster Verschlusslamellen-Synchronisation
Photo prise avec synchronisation du premier rideau
Fotografía tomada con sincronización de la primera cortina*

Mirror-up Lever/Release Socket

< Mirror-up Lever >

This lever is used for raising the mirror and fixing it in this position. It is useful for alleviating the effect of slight vibration caused by mirror operation in photomicrography and copying work. The mirror is raised and fixed by turning the lever toward the arrow as far as it will go. (The viewfinder image is not visible.)

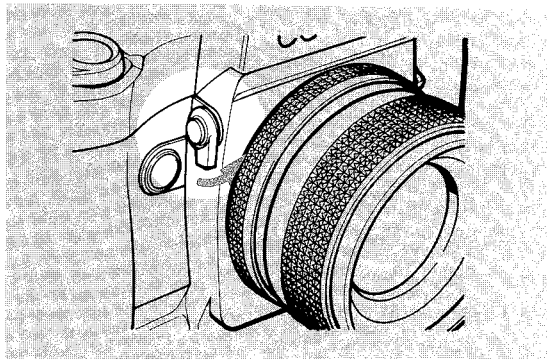
To return the mirror, move back the lever to its original position.

- Correct exposure is not possible when taking auto exposure pictures or making exposure check with the mirror up. To shoot, make exposure check before the mirror is raised and switch the camera to the manual mode according to the exposure value measured at that time, or raise the mirror after locking the exposure with the AE lock.

< Release Socket >

The release socket has a contact for transmitting electric signals from the Cable Switch L and Auto Bellows to operate the shutter.

- Do not connect a commercially available, ordinary cable release (mechanically operated type) to this socket, because it will cause malfunction.

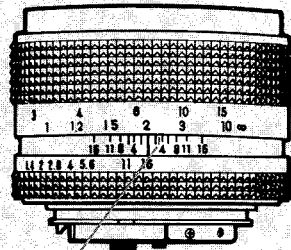


Infrared Compensation Mark

< Infrared Compensation Mark >

If you take infrared pictures with B & W infrared film (and red filter), infrared compensation is necessary because the point of focus will shift slightly compared to normal photography. Carl Zeiss lenses are provided with an infrared compensation mark for this purpose. First, focus the lens without filter as you would do normally, then attach the filter, shift that distance to the infrared mark and shoot.

- If you use color infrared film, follow the instructions in the sheet packed with it.

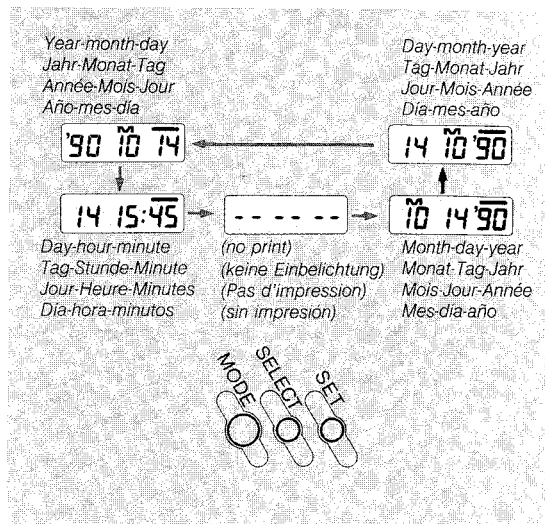


*Infrared compensation mark
Infrarotkorrektur-Marke
Marque de compensation pour film infrarouge
Marca de compensación de infrarrojos*

Printing the Date or Time

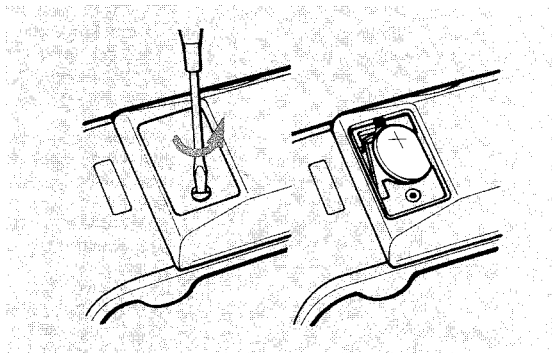
The built-in auto dating unit in the camera back lets you print the date or time automatically between the picture frames.

- ① Each time you press the date mode button, the date display will switch from "year-month-day" to "day-hour-minute", "-- --" (dating off), "month-day-year", and "day-month-year" in this order. Set your desired mode with this button.
- ② Depress the shutter release to take your picture. The mark "—" above the number on the right side of the display will turn on to show you that the date has been printed.
 - No date or time will be printed within the picture frame.
 - The letter "M" above the month number stands for Month. It will not be printed.



< Correcting the Date and Time >

- ① Press the date mode button to show the number you want to correct.
- ② Press the date select button to make that number blink.
- ③ Press the date set button to set the correct date or time. (If " : " blinks in the day-hour-minute mode, you can set the correct time to 00 seconds. Press the date set button simultaneously with the time signal.)
- ④ After setting the correct date or time, press the date select button until the number stops blinking.



< Replacing the Data Back Battery >

The data back battery is a long life lithium battery (CR2025) which will normally last about 3 or 4 years. However, if the battery power becomes weaker, the date will appear faint and light on your picture or the liquid crystal display will function erratically. In such cases, replace the battery as illustrated in the above sketch.

Camera Care and Precautions

- Do not leave the camera in hot places (on an ocean beach in summer, in a parked car under direct sunlight, etc.) for a long time, because the camera, film and batteries may be adversely affected.
 - After taking pictures at the seaside or on mountains, clean the camera thoroughly. Salt air will cause corrosion and sand and dust will adversely affect the internal precision parts of the camera.
 - To remove dust and dirt on the lens and viewfinder glass, use an air blower or a soft lens brush. If they are soiled with fingerprints, wipe off lightly with lens tissue. Remove dust and dirt on the mirror with a lens brush.
 - The lens and viewfinder may be clouded if the camera is brought into a warm room from outside where it is cold. This cloudiness will disappear soon, but it is always advisable to avoid sudden temperature changes because water droplets will cause internal corrosion.
 - **If you are going to use the camera for important events such as an overseas trip or wedding ceremony, be sure to test it beforehand to make sure it functions properly. It is also advisable to bring spare batteries with you.**
 - To clean the camera exterior, wipe with a soft cloth. Never use benzine, thinner or other solvents.

< Camera Storage >

- Keep the camera away from heat, moisture and dust. Do not store it in a wardrobe drawer containing mothballs or in a laboratory where there are chemicals that will cause damage to it.
- If you are not likely to use the camera for an extended period of time, remove the batteries to prevent possible damage by battery leakage.

Note on the shutter curtain

The shutter curtain is made of a very thin material. Never push it or touch it with your finger. When changing film, take particular care so that the film leading edge does not come into contact with it. If you use a blower to clean the camera interior, blow off very gently to avoid deformation or damage on it. Never use a pressurized blower.

Microcomputer protection circuit

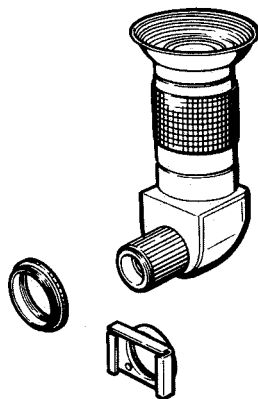
This camera incorporates a safety circuit to protect its microcomputer against strong external static electricity. Though rarely, it may fail to function because this safety circuit has come into action. In this case, set the main switch to OFF, remove the batteries, reload them and use the camera again.

Dedicated Accessories (separately sold)

< Right-angle Finder N >

This right-angle finder is used by mounting it on the camera's viewfinder eyepiece. It is not only useful for low-angle shooting, but can be rotated 360 degrees while mounted on the camera, facilitating copying work with a copy stand and close-ups in a comfortable position.

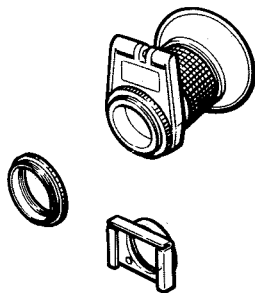
It provides a right-way round image and comes with an eyecup and eyesight correction ring.



< Magnifier F-2N >

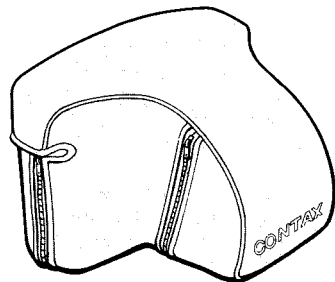
The magnifier F-2N is installed on the viewfinder eyepiece. It magnifies the image in the center portion of the viewfinder by a factor of 2.1, thus permitting more accurate focusing for close-up photography, etc.

Also, if you want to view the entire area of the viewfinder screen, the magnifier can be flipped up while installed on the eyepiece. It can also be rotated in a suitable direction when a flash unit is installed, for example.



< Flex Case C-1 >

By extending or contracting its front end, this case accommodates the Contax RTS III with a Carl Zeiss T* lens with a focal length of 135mm or shorter, or a Vario-Sonnar zoom lens 40 ~ 80mm, 35 ~ 70mm or 28 ~ 85mm.



< Diopter Adjustment Lenses, FM Type >

If you cannot adjust the eyepiece to your eyesight with the camera's diopter adjuster (+1D ~ -3D), use the eyesight adjustment lenses, FM type (optional accessories). The diopter correcting ranges with these lenses are as follows:

Diopter Adjustment Lens	Diopter Correcting Range
FM-3	-5.0D ~ -1.5D
FM+2	-0.5D ~ +4.0D

Attachment:

Remove the eyepiece ring on the camera and screw in the diopter adjustment lens.

- Store the removed eyepiece ring carefully so that it does not get lost.

< Diopterlinsen Typ FM >

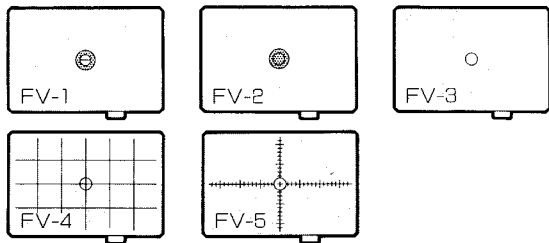
Wenn Sie das Okular mit dem eingebauten Dioptereinsteller (+1D bis -3D) der Kamera nicht auf Ihre Sehschärfe einstellen können, verwenden Sie die als Sonderzubehör lieferbaren Diopterlinsen vom Typ FM. Der Diopter-Korrekturbereich dieser Linsen ist folgender:

Diopterlinse	Diopter-Korrekturbereich
FM-3	-5,0D ~ -1,5D
FM+2	-0,5D ~ +4,0D

Anbringen:

Entfernen Sie den Okularring von der Kamera und schrauben Sie die Diopterlinse in die Fassung.

- Bewahren Sie den entfernten Okularring sorgfältig auf, damit er nicht verlorengeht.



< Focusing Screens, FV Type >

The following five focusing screens are available as dedicated accessories for the Contax RTS III. Change these screens depending on your shooting object and application. The FV-1 and FV-2 have a \varnothing 3mm circle in the center which indicates the spot metering area, and a \varnothing 5mm circle (outside the microprism) which indicates the metering area with pre-flash. On the FV-3, FV-4 and FV-5, only a \varnothing 3mm circle in the center is drawn on the screen. Be careful, however, because light metering with pre-flash is effected in a slightly larger area than in a \varnothing 3 mm spot.

- Never touch the focusing screens because they have been finished with high precision.
- When changing focusing screens, read the instructions packed with each unit carefully and always use the tweezers packed with it.

FV-1 (horizontal split-image/microprism screen)

Standard equipment on the Contax RTS III. This screen enables you to focus on a split-image spot in the center, a microprism collar around it, and a surrounding matte area, and it is suited for a wide range of subjects.

FV-2 (microprism dot/collar combination screen)

This screen has microprisms of different angles in the center and around, and it is suited for a wide range of subjects. The microprism in the center allows you to focus precisely with a wide-aperture lens, and the surrounding one allows you to focus effectively with a narrow-aperture lens.

FV-3 (matte screen) This screen consists of a matte area all around and is suited for a relatively narrow-aperture lens such as a long-focus lens. It is also suited when it is difficult to focus with a microprism or split-image spot for close-ups and others.

FV-4 (sectioned matte screen) It has ruled lines at 6mm intervals on a matte screen and is especially suited for taking pictures by using camera movements with Auto Bellows or PC Distagon or when it is necessary to determine the composition strictly for copying work, etc.

FV-5 (cross-scale screen) This screen is used for photomicrography and high-magnification close-ups. It has a cross scale with a bright, transmitting spot in the center. Adjust the focus so that the image does not shift with regard to the cross line by shifting the eye slightly to the left or right. Focusing can also be done on a surrounding matte area. The scale lines (1mm steps) enable you to estimate the size and magnification of the image.

Specifications

Type: 35mm focal-plane shutter, auto exposure single-lens-reflex camera.

Picture Size: 24 × 36mm.

Lens Mount: Contax/Yashica MM mount.

Shutter: Vertical-travel metal focal-plane shutter.

Shutter Speeds: 1/8000 to 32 sec. on auto, 1/8000 to 4 sec., B, and X (1/125 and 1/250 sec.) on manual.

Sync Contacts: Direct X contact (synchronizes at 1/250 sec. or slower) and sync terminal.

Self-timer: Electronic self-timer with a delay of 2 or 10 sec.

Shutter Release: Electromagnetic release, provided with a vertical-position release button, dedicated release socket, and cable release socket for bulb exposure.

Exposure Modes: ① Aperture-priority auto exposure, ② Shutter-speed-priority auto exposure, ③ Manual exposure, ④ TTL auto-flash, ⑤ Pre-flash TTL automatic flash, ⑥ Pre-flash TTL manual flash.

Metering System: TTL center-weighted average light metering/TTL spot metering (switchable).

Metering Range: EV 0 ~ 21 on center-weighted average light metering and EV 3 ~ 21 on spot metering (ISO 100, F1.4).

Film Speed Range: ISO 25 ~ 5000 on automatic setting with DX code, ISO 6 ~ 6400 on manual setting.

AE Lock: The quantity of light on the image surface is stored in memory.

Exposure Compensation: +2 EV ~ -2 EV (can be set in 1/3-step increments).

A.B.C. Unit: ±0.5 EV and ±1 EV exposure compensating values with A.B.C. lever.

Flash Light Control: TTL direct light control.

Flash Synchronization Control: Automatic shutter speed setting when flash charging is completed on dedicated flash units.

Viewfinder: Pentaprism eye-level finder (long eye-point type), approx. 100% field of view (no mirror cut-off up to 600mm), 0.74X magnification (with 50mm lens at infinity).

Diopter Adjustment: Built-in diopter adjuster, +1D ~ -3D correcting range.

Focusing Screen: Horizontal split-image/microprism type (standard), interchangeable screens available.

Display in Viewfinder: Shutter speed, overexposure/underexposure warning, exposure counter, A.B.C. mode, flashmeter, flash ready indicator, aperture, exposure modes, exposure compensation warning, metering mark.

Display Panel: Exposure counter, film transport mark, battery warning mark.

Film Loading: Auto loading, automatic film positioning to "01" on counter.

Film Advance: Automatic winding with built-in motor.

Film Rewinding: Automatic rewinding with built-in motor, automatically stops with film tip outside the cassette; can be rewound in mid-roll; about 13 sec. rewinding time (with 36-exposure film).

Exposure Counter: Automatically resetting, additive type; counts down on rewinding; indicates the time that has passed on bulb exposure and self-timer shots as well as the shooting sequence in A.B.C. mode.

Accessory Shoe: Direct X-contact hot shoe (provided with TLA flash contact).

Drive Modes: Single-frame, continuous shooting (CL and CH), self-timer (2 sec. and 10 sec.) and multiple exposure modes.

Winding Speed: Up to about 3 frames/sec. at CL (with new alkaline batteries), up to about 5 frames/sec. at CH (with new alkaline batteries).

- Camera Back:** Can be opened by camera back release knob; detachable; provided with dating unit and film check window.
- Pressure Plate:** Ceramic pressure plate, RTV attraction system.
- Aperture Stop-down:** With aperture stop-down button (not in "Tv" mode).
- Mirror Up:** With mirror-up lever.
- Power Source:** Six 1.5V AA-size alkaline batteries, six 1.2V AA-size Ni-Cd batteries, or one 6V lithium battery (2CR5); built-in lithium data back battery (CR2025) in camera back.
- Battery Check:** Automatic check, battery warning mark in display panel.
- Battery Capacity:** About 120 rolls of 36-exposure film (with AA-size alkaline batteries, at ordinary temperature; as tested according to Contax testing standard).
- Dimensions:** 156 (W) × 121 (H) × 66 (D) mm.
- Weight:** 1150 g (without batteries).

* *Specifications and design are subject to change without notice.*

To make full use of the capabilities of this camera, it is recommended to use our interchangeable lenses and accessories with it. We may not be able to make repair for the damage or trouble that has occurred when it was used with products of other makers offered for use with Contax camera.

- Kameratyp:** Einäugige Spiegelreflexkamera mit Belichtungsautomatik und Schlitzverschluss
- Bildformat:** 24 × 36 mm
- Objektivfassung:** Contax/Yashica-MM-Anschluß
- Verschluss:** Vertikal ablaufender Metall-Schlitzverschluss
- Verschlusszeiten:** 1/8000 bis 32 Sek. bei Automatikbetrieb, 1/8000 bis 4 Sek., "B" und "X" (1/125 und 1/250 Sek.) bei manuellem Betrieb
- Synchronisationskontakte:** Direkt-X-Kontakt (Synchronisation bei 1/250 Sek. oder länger) und Synchronisationsanschluß
- Selbstausröser:** Elektronischer Selbstauslöser mit 2 oder 10 Sek. Vorlaufzeit
- Verschlussauslöser:** Elektromagnetisches Auslösesystem mit Vertikalauslöser, Spezial-Auslöserbuchse und Drahtauslöserbuchse für Zeitaufnahmen
- Belichtungsbetriebsarten:** ① Belichtungsautomatik mit Blendenvorwahl, ② Belichtungsautomatik mit Verschlusszeitenvorwahl, ③ manuelle Belichtung, ④ TTL-Blitzautomatik, ⑤ TTL-Blitzautomatik mit Vorblitz, ⑥ manueller TTL-Blitz mit Vorblitz
- Meßsystem:** TTL-Offenblenden-Lichtmessung mit Mittenbetonung und TTL-Offenblenden-Spotmessung (umschaltbar)
- Meßbereich:** EV 0 bis EV 21 bei mittenbetonter Lichtmessung, EV 3 bis 21 bei Spotmessung (f/1,4-Objektiv, ISO 100)
- Fillempfindlichkeitsbereich:** ISO 25 bis 5000 in DX-Auto-Betriebsart, ISO 6 bis 6400 in manueller Betriebsart
- Meßwertspeicher:** Der Wert der auf dem Motiv gemessenen Lichtmenge wird festgehalten.
- Belichtungskorrektur:** +2 EV bis -2 EV (mit 1/3-Schritt-Raststellungen)
- A.B.C.-Einrichtung:** Belichtungskorrekturwerte von ±0,5 EV und ±1 EV über A.B.C.-Schieber
- Blitzlichtregelung:** Direkte TTL-Lichtregelung



KYOCERA CORPORATION

Optical Equipment Division

27-8, 6-chome, Jingumae, Shibuya-ku, Tokyo 150, Japan

Tel: (03) 3797-4631

YASHICA INC., USA Main Office 100 Randolph Road, CN 6802,
Somerset, New Jersey 08875-6802, U.S.A. Tel: (201) 560-0060

YASHICA INC., Western Regional Office 344 Mira Loma Avenue,
Glendale, California 91204, U.S.A. Tel: (818) 247-2140

KYOCERA CANADA INC. 7470 Bath Road, Mississauga, Ontario,
L4T 1L2, Canada Tel: (416) 671-4300

Kyocera YASHICA (U.K.) Ltd. 4 Bennet Court, Bennet Road,
Reading, Berkshire RG2 0QX, U.K. Tel: (0734) 311919

YASHICA Kyocera GmbH Eiffestraße 76, W-2000 Hamburg 26,
F.R. Germany Tel: (040) 25 15 07-0

YASHICA Handelsges. mbH Rustenschacherallee 38, A-1020 Wien,
Austria Tel: (0222) 218-10-85-0, 218-09-26-0

YASHICA AG. Zürcherstraße 73, CH-8800 Thalwil, Switzerland
Tel: (01) 720 34 34

YASHICA DO BRASIL INDUSTRIA E COMERCIO LTDA. Rua Cruz e
Souza 59, Aclimacao, São Paulo, Brazil Tel: 283-4244

UNIVERSAL OPTICAL INDUSTRIES LTD. 14/FL Piazza Industrial
Building, 133 Hoi-Bun Road, Kwun Tong, Kowloon, Hong Kong
Tel: 3435151