

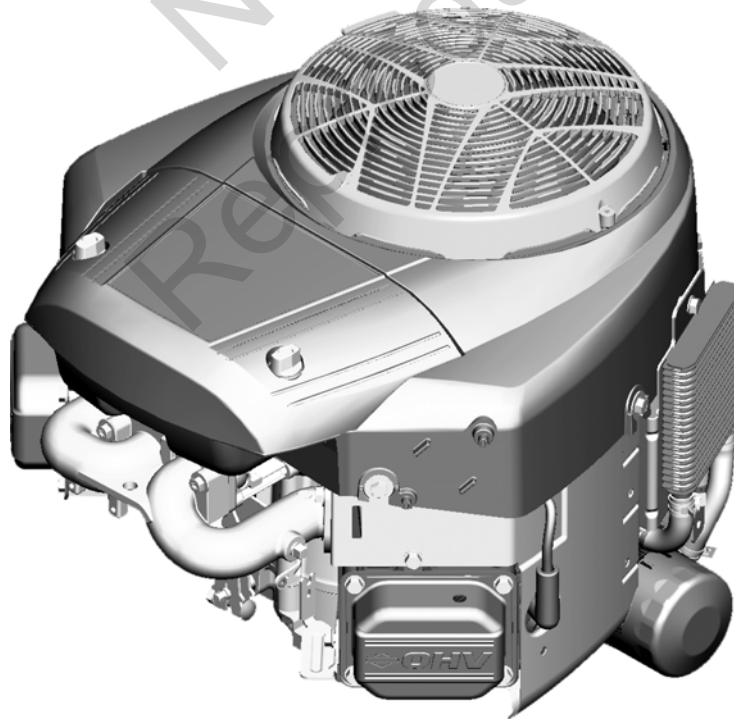


**en** *Operator's Manual*  
**es** *Manual del Operario*  
**fr** *Manuel de l'opérateur*



**Model 490000**

**Professional Series™  
Gaseous**



Briggs & Stratton is a registered trademark of Briggs & Stratton Corporation

© 2011 Briggs & Stratton Corporation, Milwaukee, WI, USA. All rights reserved.

Form No. 279144TRI  
Revision: A

English

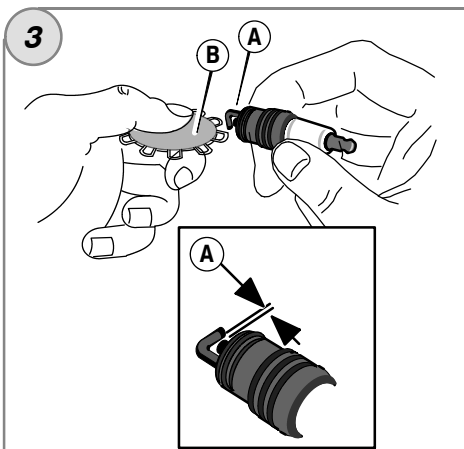
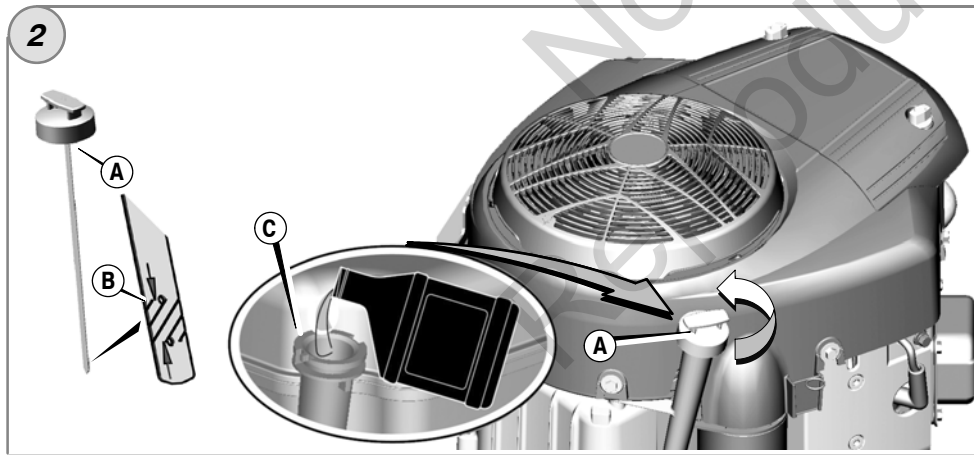
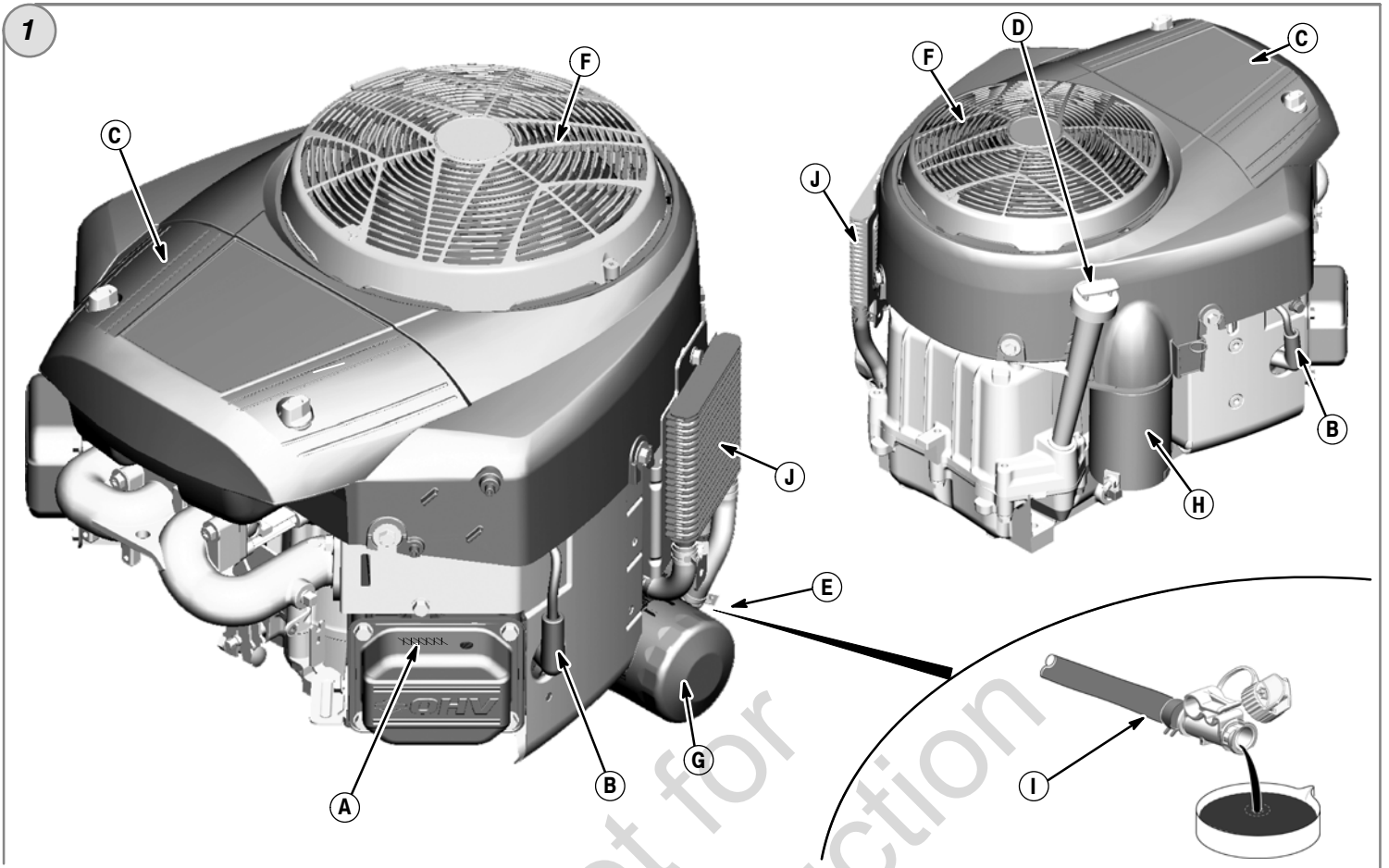
**en**

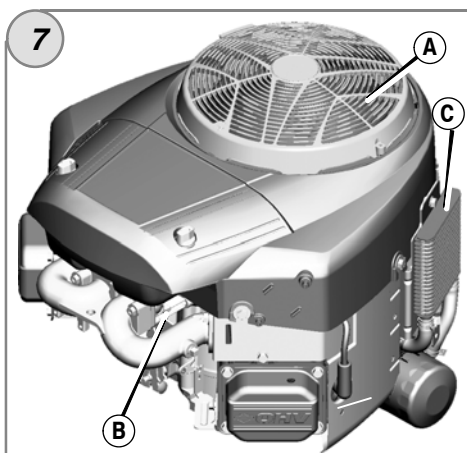
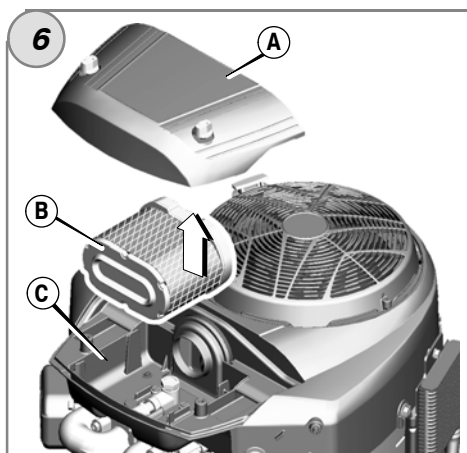
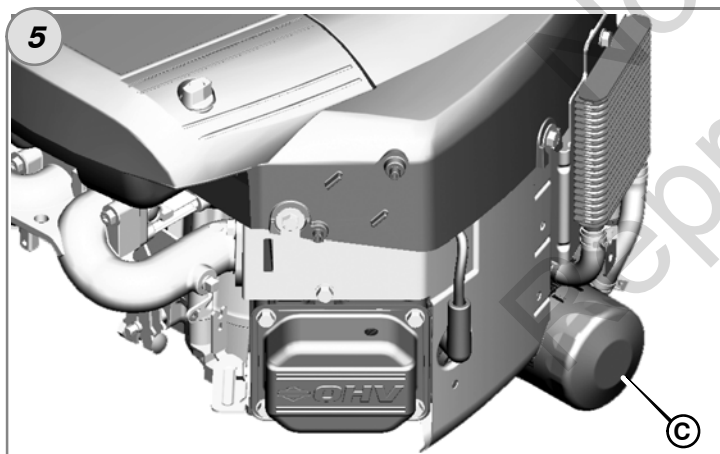
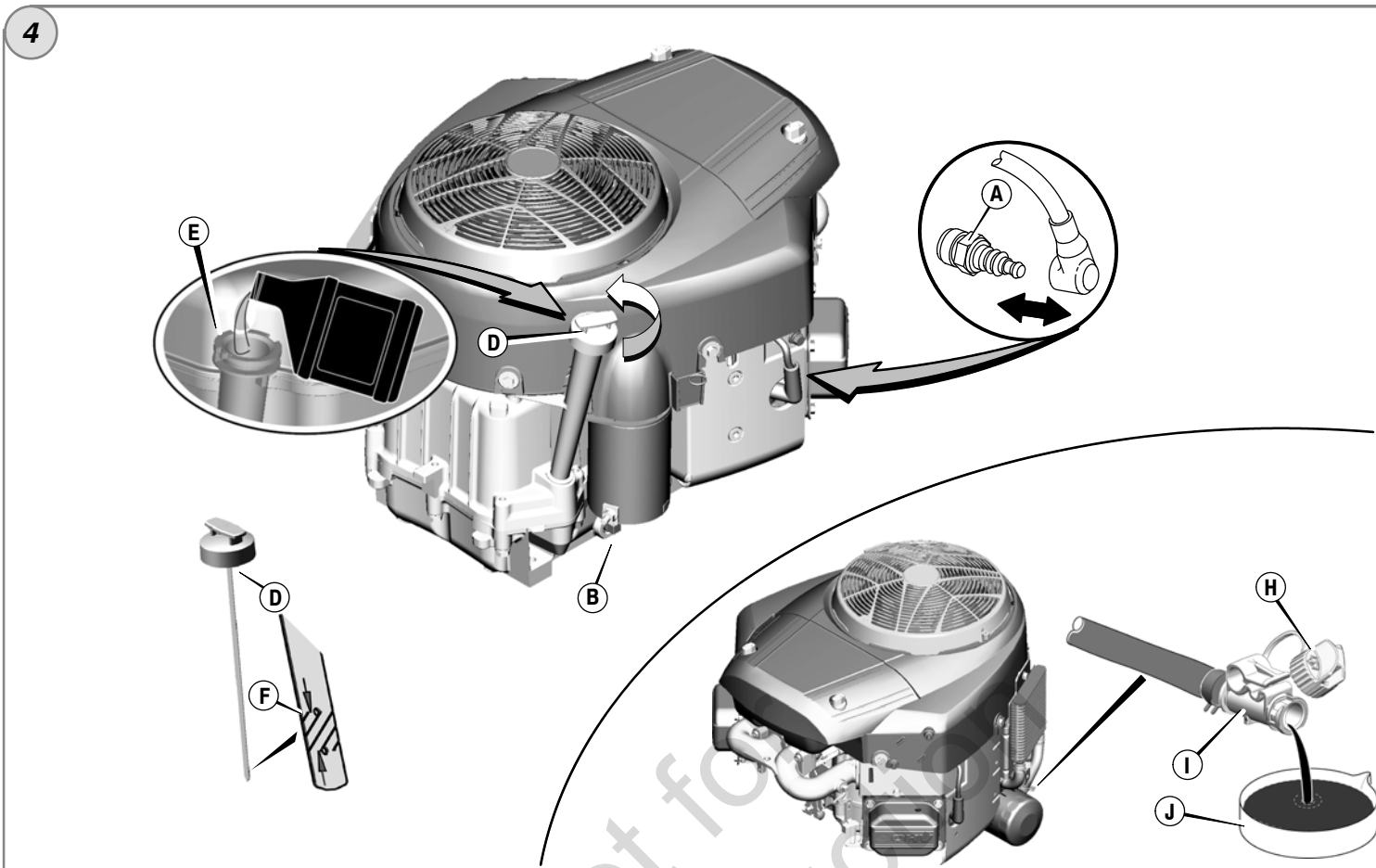
Español

**es**

Français

**fr**





## General Information

This manual contains safety information to make you aware of the hazards and risks associated with engines and how to avoid them. It also contains instructions for the proper use and care of the engine. Because Briggs & Stratton Corporation does not necessarily know what equipment this engine will power, it is important that you read and understand these instructions and the instructions for the equipment. **Save these original instructions for future reference.**

For replacement parts or technical assistance, record below the engine model, type, and code numbers along with the date of purchase. These numbers are located on your engine (see the *Features and Controls* page).

**Date of purchase:** \_\_\_\_\_

MM/DD/YYYY

**Engine model:** \_\_\_\_\_

Model:

Type:

Code:

## Power Rating

The gross power rating for individual gas engine models is labeled in accordance with SAE (Society of Automotive Engineers) code J1940 (Small Engine Power & Torque Rating Procedure), and rating performance has been obtained and corrected in accordance with SAE J1995 (Revision 2002-05). Torque values are derived at 3060 RPM; horsepower values are derived at 3600 RPM. Net power values are taken with exhaust and air cleaner installed whereas gross power values are collected without these attachments. Actual gross engine power will be higher than net engine power and is affected by, among other things, ambient operating conditions and engine-to-engine variability. Given the wide array of products on which engines are placed, the gas engine may not develop the rated gross power when used in a given piece of power equipment. This difference is due to a variety of factors including, but not limited to, the variety of engine components (air cleaner, exhaust, charging, cooling, carburetor, fuel pump, etc.), application limitations, ambient operating conditions (temperature, humidity, altitude), and engine-to-engine variability.

Due to manufacturing and capacity limitations, Briggs & Stratton may substitute an engine of higher rated power for this Series engine.

## Operator Safety

### SAFETY AND CONTROL SYMBOLS



Fire



Moving Parts



Oil



Toxic Fumes



Slow



Fast



Stop



Explosion



Shock



Fuel



Choke



On Off



Fuel Shutoff



Kickback



Wear Eye Protection



Hazardous Chemical




Read Manual





Hot Surface




Frostbite

The safety alert symbol  is used to identify safety information about hazards that can result in personal injury. A signal word (DANGER, WARNING, or CAUTION) is used with the alert symbol to indicate the likelihood and the potential severity of injury. In addition, a hazard symbol may be used to represent the type of hazard.

 **DANGER** indicates a hazard which, if not avoided, **will result in death or serious injury.**

 **WARNING** indicates a hazard which, if not avoided, **could result in death or serious injury.**

 **CAUTION** indicates a hazard which, if not avoided, **could result in minor or moderate injury.**

**NOTICE** indicates a situation that **could result in damage to the product.**



### WARNING

Certain components in this product and its related accessories contain chemicals known to the State of California to cause cancer, birth defects, or other reproductive harm. Wash hands after handling.



### WARNING

The engine exhaust from this product contains chemicals known to the State of California to cause cancer, birth defects, or other reproductive harm.



### WARNING

Briggs & Stratton does not approve or authorize the use of these engines on 3-wheel All Terrain Vehicles (ATVs), motor bikes, fun/recreational go-karts, aircraft products, or vehicles intended for use in competitive events. Use of these engines in such applications could result in property damage, serious injury (including paralysis), or even death.

**NOTICE:** This engine was shipped from Briggs & Stratton without oil. Before you start the engine, make sure you add oil according to the instructions in this manual. If you start the engine without oil, it will be damaged beyond repair and will not be covered under warranty.



### WARNING

**Fuel and its vapors are extremely flammable and explosive. Fire or explosion can cause severe burns or death.**



#### When Adding Fuel

- Fill fuel tank outdoors or in well-ventilated area.
- Check fuel lines, tank, cap, and fittings frequently for cracks or leaks. Replace if necessary.

#### When Starting Engine

- Ensure that spark plug, muffler, and air cleaner (if equipped) are in place and secured.
- Do not crank engine with spark plug removed.

#### When Operating Equipment

- Never start or run the engine with the air cleaner assembly (if equipped) or the air filter (if equipped) removed.

#### When Transporting Equipment

- On Natural/Liquid Petroleum (LP) Gas engines, transport with fuel cylinder empty or valve closed, or fuel tank disconnected.

#### When Storing Fuel Or Equipment With Fuel In Tank

- Store away from furnaces, stoves, water heaters or other appliances that have pilot lights or other ignition sources because they can ignite fuel vapors.



### WARNING



**Starting engine creates sparking. Sparking can ignite nearby flammable gases. Explosion and fire could result.**

- If there is natural or LP gas leakage in area, do not start engine.
- Do not use pressurized starting fluids because vapors are flammable.



### WARNING



**Engines give off carbon monoxide, an odorless, colorless, poison gas. Breathing carbon monoxide can cause nausea, fainting or death.**

- Start and run engine outdoors.
- Do not start or run engine in enclosed area, even if doors or windows are open.



### WARNING



**Rapid retraction of starter cord (kickback) will pull hand and arm toward engine faster than you can let go.**

**Broken bones, fractures, bruises or sprains could result.**

- When starting engine, pull the starter cord slowly until resistance is felt and then pull rapidly to avoid kickback.
- Remove all external equipment/engine loads before starting engine.
- Direct-coupled equipment components such as, but not limited to, blades, impellers, pulleys, sprockets, etc., must be securely attached.



### WARNING



**Rotating parts can contact or entangle hands, feet, hair, clothing, or accessories.**

**Traumatic amputation or severe laceration can result.**

- Operate equipment with guards in place.
- Keep hands and feet away from rotating parts.
- Tie up long hair and remove jewelry.
- Do not wear loose-fitting clothing, dangling drawstrings or items that could become caught.



### WARNING



**Running engines produce heat. Engine parts, especially muffler, become extremely hot.**

**Severe thermal burns can occur on contact.**



**Combustible debris, such as leaves, grass, brush, etc. can catch fire.**

- Allow muffler, engine cylinder and fins to cool before touching.
- Remove accumulated debris from muffler area and cylinder area.
- It is a violation of California Public Resource Code, Section 4442, to use or operate the engine on any forest-covered, brush-covered, or grass-covered land unless the exhaust system is equipped with a spark arrester, as defined in Section 4442, maintained in effective working order. Other states or federal jurisdictions may have similar laws. Contact the original equipment manufacturer, retailer, or dealer to obtain a spark arrester designed for the exhaust system installed on this engine.



### WARNING



**Unintentional sparking can result in fire or electric shock.**



**Unintentional start-up can result in entanglement, traumatic amputation, or laceration.**



**Fire hazard**

#### Before performing adjustments or repairs:

- Disconnect the spark plug wire and keep it away from the spark plug.
- Disconnect battery at negative terminal (only engines with electric start.)
- Use only correct tools.
- Do not tamper with governor spring, links or other parts to increase engine speed.
- Replacement parts must be of the same design and installed in the same position as the original parts. Other parts may not perform as well, may damage the unit, and may result in injury.
- Do not strike the flywheel with a hammer or hard object because the flywheel may later shatter during operation.

#### When testing for spark:

- Use approved spark plug tester.
- Do not check for spark with spark plug removed.



### WARNING



**Gaseous fuels are extremely flammable and readily form explosive air-vapor mixtures at ambient temperatures.**



- **Do not** start the engine.
- **Do not** actuate any electrical switches.
- **Do not** use a phone in the vicinity.
- Evacuate the area.
- Contact the gas supplier or fire department.



### WARNING



**Wear eye protection when doing repair work.**



**Frostbite can result from skin/eye contact with leaking LP liquid.**

- Installation, adjustment and repair work should be done by a qualified technician.
- Regularly check flexible supply line. Make sure they are in good condition. Replace damaged or leaking components.



### WARNING



**Missing or inoperative "fuel lock-off" valve can cause a fire or explosion.**



- **Do not** operate the equipment if the "fuel lock-off" valve is missing or inoperative.

# Features and Controls

Compare the illustration **1** with your engine to familiarize yourself with the location of various features and controls.

- A. Engine Identification  
**Model Type Code**
- B. Spark Plug
- C. Air Cleaner
- D. Dipstick
- E. Oil Drain Plug
- F. Finger Guard
- G. Oil Filter
- H. Electric Starter
- I. Quick Oil Drain (optional)
- J. Oil Cooler

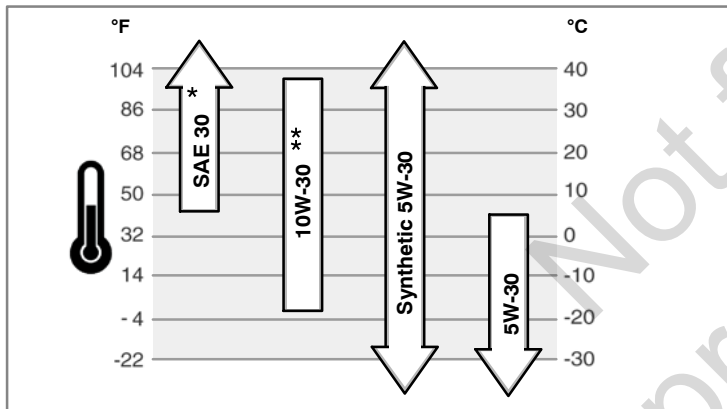
## Operation

Oil capacity (see the **Specifications** section)

### Oil Recommendations

We recommend the use of Briggs & Stratton Warranty Certified oils for best performance. Other high-quality detergent oils are acceptable if classified for service SF, SG, SH, SJ or higher. Do not use special additives.

Outdoor temperatures determine the proper oil viscosity for the engine. Use the chart to select the best viscosity for the outdoor temperature range expected.



\* Below 40°F (4°C) the use of SAE 30 will result in hard starting.

\*\* Above 80°F (27°C) the use of 10W-30 may cause increased oil consumption. Check oil level more frequently.

### How To Check/Add Oil - Figure **2**

Before adding or checking the oil

- Place engine level.
  - Clean the oil fill area of any debris.
1. Remove the dipstick (**A**) and wipe with a clean cloth (Figure 2).
  2. Insert and tighten the dipstick.
  3. Remove the dipstick and check the oil level. It should be at the FULL mark (**B**) on the dipstick.
  4. If low, add oil slowly into the engine oil fill (**C**). **Do not overfill**. After adding oil, wait one minute and then recheck the oil level.  
*Note:* Do not add oil at the quick oil drain (**L**, Figure 1) (if equipped).
  5. Replace and tighten the dipstick.

### Oil Pressure

If the oil pressure is too low, a pressure switch (if equipped) will either stop the engine or activate a warning device on the equipment. If this occurs, stop the engine and check the oil level with the dipstick.

If the oil level is below the ADD mark, add oil until it reaches the FULL mark. Start the engine and check for proper pressure before continuing to operate.

If the oil level is between the ADD and FULL marks, **do not start** the engine. Contact an Authorized Briggs & Stratton Dealer to have the oil pressure problem corrected.

### Fuel Recommendations



#### WARNING

Missing or inoperative "fuel lock-off" valve can cause a fire or explosion.

- Do not operate the equipment if the "fuel lock-off" valve is missing or inoperative.

#### Fuel must meet these requirements:

- Use clean, dry fuel, free of moisture or any particulate material. Using fuels outside the following recommended values may cause performance problems.
- In engines set up to run on LPG, commercial grade HD5 LPG is recommended. Recommended fuel composition is fuel with a minimum fuel energy of 2500 BTU's/ft<sup>3</sup> with maximum propylene content of 5% and butane and heavier gas content of 2.5% and minimum propane content of 90%.

NG or LPG engines are certified to operate on natural or liquid propane gas. The emissions control system for this engine is EM (Engine Modifications).

### How To Add Fuel

For information on refueling natural or LP gas engines, read the operating instructions supplied by the equipment manufacturer.

### How To Start The Engine



#### WARNING

Fuel and its vapors are extremely flammable and explosive. Fire or explosion can cause severe burns or death.

#### When Starting Engine

- Ensure that spark plug, muffler, and air cleaner (if equipped) are in place and secured.
- Do not crank engine with spark plug removed.



#### WARNING

Engines give off carbon monoxide, an odorless, colorless, poison gas. Breathing carbon monoxide can cause nausea, fainting or death.

- Start and run engine outdoors.
- Do not start or run engine in enclosed area, even if doors or windows are open.

**NOTICE:** This engine was shipped from Briggs & Stratton without oil. Before you start the engine, make sure you add oil according to the instructions in this manual. If you start the engine without oil, it will be damaged beyond repair and will not be covered under warranty.

1. Check the oil level. See the **How To Check/Add Oil** section.
2. See the equipment manual for starting procedure.

### How To Stop The Engine

See the equipment manual for stopping procedure.


# Maintenance

We recommend that you see any Briggs & Stratton Authorized Dealer for all maintenance and service of the engine and engine parts.


**NOTICE:** All the components used to build this engine must remain in place for proper operation.

## Emissions Control


Maintenance, replacement, or repair of the emissions control devices and systems may be performed by any non-road engine repair establishment or individual. However, to obtain "no charge" emissions control service, the work must be performed by a factory authorized dealer. See the Emissions Warranty.




**WARNING**



**Unintentional sparking can result in fire or electric shock.**



**Unintentional start-up can result in entanglement, traumatic amputation, or laceration.**



**Fire hazard**

**Before performing adjustments or repairs:**


- Disconnect the spark plug wire and keep it away from the spark plug.
- Disconnect battery at negative terminal (only engines with electric start.)
- Use only correct tools.
- Do not tamper with governor spring, links or other parts to increase engine speed.
- Replacement parts must be of the same design and installed in the same position as the original parts. Other parts may not perform as well, may damage the unit, and may result in injury.
- Do not strike the flywheel with a hammer or hard object because the flywheel may later shatter during operation.

**When testing for spark:**


- Use approved spark plug tester.
- Do not check for spark with spark plug removed.

*Note:* In some areas, local law requires using a resistor spark plug to suppress ignition signals. If this engine was originally equipped with a resistor spark plug, use the same type for replacement.


## Inspect Muffler And Spark Arrester



**WARNING**



**Running engines produce heat. Engine parts, especially muffler, become extremely hot.**




**Severe thermal burns can occur on contact.**

**Combustible debris, such as leaves, grass, brush, etc. can catch fire.**

- Allow muffler, engine cylinder and fins to cool before touching.
- Remove accumulated debris from muffler area and cylinder area.
- It is a violation of California Public Resource Code, Section 4442, to use or operate the engine on any forest-covered, brush-covered, or grass-covered land unless the exhaust system is equipped with a spark arrester, as defined in Section 4442, maintained in effective working order. Other states or federal jurisdictions may have similar laws. Contact the original equipment manufacturer, retailer, or dealer to obtain a spark arrester designed for the exhaust system installed on this engine.

Exhaust system parts are installed by the equipment manufacturer. For specific maintenance and replacement information, contact the equipment manufacturer.

Remove accumulated debris from muffler area and cylinder area. Inspect the muffler for cracks, corrosion, or other damage. Remove the spark arrester, if equipped, and inspect for damage or carbon blockage. If damage is found, install replacement parts before operating.



**WARNING:** Replacement parts must be of the same design and installed in the same position as the original parts. Other parts may not perform as well, may damage the unit, and may result in injury.

## How To Change The Oil - Figure 4 5

Used oil is a hazardous waste product and must be disposed of properly. Do not discard with household waste. Check with your local authorities, service center, or dealer for safe disposal/recycling facilities.

### Remove Oil

1. With engine off but still warm, disconnect the spark plug wire (A) and keep it away from the spark plug (Figure 4).
2. Remove the dipstick (D).

### Standard Oil Drain Plug

1. Remove the oil drain plug (B). Drain the oil into an approved container.

*Note:* Any of the oil drain plugs shown below may be installed in the engine.



2. After the oil has drained, install and tighten the oil drain plug.

### Optional Quick Oil Drain

1. Turn and remove the oil drain cap (H). Carefully lower the quick oil drain (I) into an approved container (J).
2. After the oil has drained, install the oil drain cap.

### Change The Oil Filter (if equipped)

For replacement intervals, see the *Maintenance* chart.

1. Drain the oil from the engine. See *Remove Oil* section.
2. Remove the oil filter (C) and dispose of properly. See Figure 5.
3. Before you install the new oil filter, lightly lubricate the oil filter gasket with fresh, clean oil.
4. Install the oil filter by hand until the gasket contacts the oil filter adapter, then tighten the oil filter 1/2 to 3/4 turns.
5. Add oil. See *Add Oil* section.
6. Start and run the engine. As the engine warms up, check for oil leaks.
7. Stop the engine and check the oil level. It should be at the FULL mark on the dipstick.

## Maintenance Chart

<b>First 5 Hours</b>
<ul style="list-style-type: none"> <li>• Change oil</li> </ul>
<b>Every 8 Hours or Daily</b>
<ul style="list-style-type: none"> <li>• Check engine oil level</li> </ul>
<b>Every 50 Hours or Annually</b>
<ul style="list-style-type: none"> <li>• Clean air filter *</li> <li>• Change engine oil</li> <li>• Replace oil filter (if equipped)</li> <li>• Check muffler and spark arrester (if equipped)</li> </ul>
<b>Every 100 Hours or Annually</b>
<ul style="list-style-type: none"> <li>• Replace air filter</li> <li>• Replace spark plugs</li> <li>• Clean air cooling system *</li> <li>• Check valve clearance. Adjust if necessary.</li> </ul>
<b>Annually</b>
<ul style="list-style-type: none"> <li>• Replace air filter</li> <li>• Replace spark plugs</li> <li>• Clean air cooling system *</li> </ul>

\* In dusty conditions or when airborne debris is present, clean more often.

## How To Replace The Spark Plug - Figure 3

Check the gap (A, Figure 3) with a wire gauge (B). If necessary, reset the gap. Install and tighten the spark plug to the recommended torque. For gap setting or torque, see the *Specifications* section.

## Add Oil

- Place engine level.
  - Clean the oil fill area of any debris.
  - See the **Specifications** section for oil capacity.
- Remove the dipstick (D) and wipe with a clean cloth (Figure 4).
  - Pour the oil slowly into the engine oil fill (E). **Do not overfill.** After adding oil, wait one minute and then check the oil level.
  - Install and tighten the dipstick.
  - Remove the dipstick and check the oil level. It should be at the FULL mark (F) on the dipstick.
  - Install and tighten the dipstick.

## How To Service The Air Filter - Figure 6



### WARNING



**Fuel and its vapors are extremely flammable and explosive. Fire or explosion can cause severe burns or death.**

- Never start or run the engine with the air cleaner assembly (if equipped) or the air filter (if equipped) removed.

**NOTICE:** Do not use pressurized air or solvents to clean the filter. Pressurized air can damage the filter and solvents will dissolve the filter.

- Remove the cover (A, Figure 6).
- To remove the filter (B), lift the end of the filter.
- To loosen debris, gently tap the filter on a hard surface. If the filter is excessively dirty, replace with a new filter.
- Install the filter into the engine base (C) and push down until the filter snaps in place.
- Install the cover.

## How To Clean The Air Cooling System - Figure 7



### WARNING



**Running engines produce heat. Engine parts, especially muffler, become extremely hot.**

**Severe thermal burns can occur on contact.**



**Combustible debris, such as leaves, grass, brush, etc. can catch fire.**

- Allow muffler, engine cylinder and fins to cool before touching.
- Remove accumulated debris from muffler area and cylinder area.

**NOTICE:** Do not use water to clean the engine. Water could contaminate the fuel system. Use a brush or dry cloth to clean the engine.

This is an air cooled engine. Dirt or debris can restrict air flow and cause the engine to overheat, resulting in poor performance and reduced engine life.

Use a brush or dry cloth to remove debris from the finger guard/rotating screen (A). Keep linkage, springs and controls (B) clean. Keep the area around and behind the muffler free of any combustible debris (Figure 7). Make sure the oil cooler fins (C) are free of dirt and debris.

## Storage



### WARNING



**Fuel and its vapors are extremely flammable and explosive. Fire or explosion can cause severe burns or death.**

#### When Storing Fuel Or Equipment With Fuel In Tank

- Store away from furnaces, stoves, water heaters or other appliances that have pilot lights or other ignition sources because they can ignite fuel vapors.

## Engine Oil

While the engine is still warm, change the engine oil. See the **How To Change The Oil** section.

## Troubleshooting

Need Assistance? Go to [BRIGGSandSTRATTON.COM](http://BRIGGSandSTRATTON.COM) or call 1-800-233-3723.

## Specifications

Engine Specifications	
Model	490000
Displacement	49.42 ci (810 cc)
Bore	3.300 in (83.81 mm)
Stroke	2.890 in (73.41 mm)
Oil Capacity	62 - 64 oz (1.8 - 1.9 L)

### Tune-up Specifications \*

Model	490000
Spark Plug Gap	0.020 in (0.51 mm)
Spark Plug Torque	180 lb-in (20 Nm)
Armature Air Gap	0.008 - 0.012 in (0.20 - 0.30 mm)
Intake Valve Clearance	0.004 - 0.006 in (0.10 - 0.15 mm)
Exhaust Valve Clearance	0.009 - 0.011 in (0.23 - 0.28 mm)

\* Engine power will decrease 3.5% for each 1,000 feet (300 meters) above sea level and 1% for each 10° F (5.6° C) above 77° F (25° C). The engine will operate satisfactorily at an angle up to 15°. Refer to the equipment operator's manual for safe allowable operating limits on slopes.

### Common Service Parts ✓

Service Part	Part Number
Air Filter, Oval	798748
Oil - SAE 5W-30	100074
Oil Filter	492932
Resistor Spark Plug	692051
Long Life Platinum Spark Plug	5066
Spark Plug Wrench	19374
Spark Tester	19368

✓ We recommend that you see any Briggs & Stratton Authorized Dealer for all maintenance and service of the engine and engine parts.



**LIMITED WARRANTY**

Briggs & Stratton Corporation will repair or replace, free of charge, any part(s) of the engine that is defective in material or workmanship or both. Transportation charges on product submitted for repair or replacement under this warranty must be borne by purchaser. This warranty is effective for and is subject to the time periods and conditions stated below. For warranty service, find the nearest Authorized Service Dealer in our dealer locator map at BRIGGSandSTRATTON.COM, or by calling 1-800-233-3723, or as listed in the 'Yellow Pages'.

**There is no other expressed warranty. Implied warranties, including those of merchantability and fitness for a particular purpose, are limited to one year from purchase, or to the extent permitted by law. All other implied warranties are excluded. Liability for incidental or consequential damages are excluded to the extent exclusion is permitted by law.** Some states or countries do not allow limitations on how long an implied warranty lasts, and some states or countries do not allow the exclusion or limitation of incidental or consequential damages, so the above limitation and exclusion may not apply to you. This warranty gives you specific legal rights and you may also have other rights which vary from state to state and country to country.

**STANDARD WARRANTY TERMS \* ▲**

Brand/Product Type	Consumer Use	Commercial Use
Vanguard™ ■	3 years	3 years
Extended Life Series™; I/C®; Intek™ I/C®; Intek™ Pro; Commercial Turf Series™ Professional Series™ with Dura-Bore™ Cast Iron Sleeve; 850 Series™ with Dura-Bore™ Cast Iron Sleeve; Snow Series MAX™ with Dura-Bore™ Cast Iron Sleeve All Other Briggs & Stratton Engines Featuring Dura-Bore™ Cast Iron Sleeve	2 years	1 year
All Other Briggs & Stratton Engines	2 years	90 days

- \* These are our standard warranty terms, but occasionally there may be additional warranty coverage that was not determined at time of publication. For a listing of current warranty terms for your engine, go to BRIGGSandSTRATTON.COM or contact your Authorized Briggs & Stratton Service Dealer.
- ▲ Home Standby Generator applications: 2 years consumer warranty only. No commercial warranty. This warranty does not apply to engines on equipment used for prime power in place of a utility. **Engines used in competitive racing or on commercial or rental tracks are not warranted.**
- Vanguard installed on standby generators: 2 years consumer use, no warranty commercial use. Vanguard installed on utility vehicles: 2 years consumer use, 2 years commercial use. Vanguard 3-cylinder liquid cooled: see Briggs & Stratton 3/LC Engine Owner Warranty Policy.

The warranty period begins on the date of purchase by the first retail consumer or commercial end user, and continues for the period of time stated in the table above. "Consumer use" means personal residential household use by a retail consumer. "Commercial use" means all other uses, including use for commercial, income producing or rental purposes. Once an engine has experienced commercial use, it shall thereafter be considered as a commercial use engine for purposes of this warranty.

**No warranty registration is necessary to obtain warranty on Briggs & Stratton Products. Save your proof of purchase receipt. If you do not provide proof of the initial purchase date at the time warranty service is requested, the manufacturing date of the product will be used to determine the warranty period.**

**About Your Warranty**

Briggs & Stratton welcomes warranty repair and apologizes to you for being inconvenienced. Any Authorized Service Dealer may perform warranty repairs. Most warranty repairs are handled routinely, but sometimes requests for warranty service may not be appropriate.

If a customer differs with the decision of the Service Dealer, an investigation will be made to determine whether the warranty applies. Ask the Service Dealer to submit all supporting facts to his Distributor or the Factory for review. If the Distributor or the Factory decides that the claim is justified, the customer will be fully reimbursed for those items that are defective. To avoid misunderstanding which might occur between the customer and the Dealer, listed below are some of the causes of engine failure that the warranty does not cover.

**Normal wear:** Engines, like all mechanical devices, need periodic parts service and replacement to perform well. Warranty will not cover repair when normal use has exhausted the life of a part or an engine. Warranty would not apply if engine damage occurred because of misuse, lack of routine maintenance, shipping, handling, warehousing or improper installation. Similarly, warranty is void if the serial number of the engine has been removed or the engine has been altered or modified.

**Improper maintenance:** The life of an engine depends upon the conditions under which it operates, and the care it receives. Some applications, such as tillers, pumps and rotary mowers, are very often used in dusty or dirty conditions, which can cause what appears to be premature wear. Such wear, when caused by dirt, dust, spark plug cleaning grit, or other abrasive material that has entered the engine because of improper maintenance, is not covered by warranty.

**This warranty covers engine related defective material and/or workmanship only, and not replacement or refund of the equipment to which the engine may be mounted. Nor does the warranty extend to repairs required because of:**

- 1 Problems caused by parts that are not original Briggs & Stratton parts.
- 2 Equipment controls or installations that prevent starting, cause unsatisfactory engine performance, or shorten engine life. (Contact equipment manufacturer.)

- 3 Leaking carburetors, clogged fuel pipes, sticking valves, or other damage, caused by using contaminated or stale fuel.
- 4 Parts which are scored or broken because an engine was operated with insufficient or contaminated lubricating oil, or an incorrect grade of lubricating oil (check and refill when necessary, and change at recommended intervals). OIL GARD may not shut down running engine. Engine damage may occur if oil level is not properly maintained.
- 5 Repair or adjustment of associated parts or assemblies such as clutches, transmissions, remote controls, etc., which are not manufactured by Briggs & Stratton.
- 6 Damage or wear to parts caused by dirt, which entered the engine because of improper air cleaner maintenance, re-assembly, or use of a non-original air cleaner element or cartridge. At recommended intervals, clean and/or replace the filter as stated in the Operator's Manual.
- 7 Parts damaged by over-speeding, or overheating caused by grass, debris, or dirt, which plugs or clogs the cooling fins, or flywheel area, or damage caused by operating the engine in a confined area without sufficient ventilation. Clean engine debris at recommended intervals as stated in the Operator's Manual.
- 8 Engine or equipment parts broken by excessive vibration caused by a loose engine mounting, loose cutter blades, unbalanced blades or loose or unbalanced impellers, improper attachment of equipment to engine crankshaft, over-speeding or other abuse in operation.
- 9 A bent or broken crankshaft, caused by striking a solid object with the cutter blade of a rotary lawn mower, or excessive v-belt tightness.
- 10 Routine tune-up or adjustment of the engine.

**Warranty service is available only through authorized service dealers by Briggs & Stratton Corporation. Locate your nearest Authorized Service Dealer in our dealer locator map on BRIGGSandSTRATTON.COM or by calling 1-800-233-3723, or as listed in the 'Yellow Pages'.**

The California Air Resources Board, U.S. EPA, and Briggs & Stratton (B&S) are pleased to explain the emissions control system warranty on your Model Year 2011–2012 engine/equipment. In California, new small off-road engines and large spark ignited engines less than or equal to 1.0 liter must be designed, built, and equipped to meet the State's stringent anti-smog standards. B&S must warrant the emissions control system on your engine/equipment for the periods of time listed below provided there has been no abuse, neglect, or improper maintenance of your engine or equipment.

Your emissions control system may include parts such as the carburetor or fuel injection system, fuel tank, ignition system, and catalytic converter. Also included may be hoses, belts, connectors, sensors, and other emissions-related assemblies.

Where a warrantable condition exists, B&S will repair your engine/equipment at no cost to you including diagnosis, parts, and labor.

**Manufacturer's Warranty Coverage:**

Small off-road engines and large spark ignited engines less than or equal to 1.0 liter are warranted for two years. If any emissions-related part on your engine/equipment is defective, the part will be repaired or replaced by B&S.

**Owner's Warranty Responsibilities:**

- As the engine/equipment owner, you are responsible for the performance of the required maintenance listed in your owner's manual. B&S recommends that you retain all receipts covering maintenance on your engine/equipment, but B&S cannot deny warranty solely for the lack of receipts or your failure to ensure the performance of all scheduled maintenance.
- As the engine/equipment owner, you should however be aware that B&S may deny you warranty coverage if your engine/equipment or a part has failed due to abuse, neglect, improper maintenance, or unapproved modifications.
- You are responsible for presenting your engine/equipment to a B&S distribution center, servicing dealer, or other equivalent entity, as applicable, as soon as a problem exists. The warranty repairs should be completed in a reasonable amount of time, not to exceed 30 days. If you have any questions regarding your warranty rights and responsibilities, you should contact B&S at (414) 259-5262.

**Briggs & Stratton Emissions Control Warranty Provisions**

The following are specific provisions relative to your Emissions Control Warranty Coverage. It is in addition to the B&S engine warranty for non-regulated engines found in the Operator's Manual.

1. Warranted Emissions Parts

Coverage under this warranty extends only to the parts listed below (the emissions control systems parts) to the extent these parts were present on the engine purchased.

- Fuel Metering System
  - Cold start enrichment system (soft choke)
  - Carburetor and internal parts
  - Fuel pump
  - Fuel line, fuel line fittings, clamps
  - Fuel tank, cap and tether
  - Carbon canister
- Air Induction System
  - Air cleaner
  - Intake manifold
  - Purge and vent line
- Ignition System
  - Spark plug(s)
  - Magneto ignition system
- Catalyst System
  - Catalytic converter
  - Exhaust manifold
  - Air injection system or pulse valve
- Miscellaneous Items Used in Above Systems
  - Vacuum, temperature, position, time sensitive valves and switches
  - Connectors and assemblies

2. Length of Coverage

For a period of two years from date of original purchase, B&S warrants to the original purchaser and each subsequent purchaser that the engine is designed, built, and equipped so as to conform with all applicable regulations adopted by the Air Resources Board; that it is free from defects in material and workmanship that could cause the failure of a warranted part; and that it is identical in all material respects to the engine described in the manufacturer's application for certification. The warranty period begins on the date the engine is originally purchased.

The warranty on emissions-related parts is as follows:

- Any warranted part that is not scheduled for replacement as required maintenance in the owner's manual supplied, is warranted for the warranty period stated above. If any such part fails during the period of warranty coverage, the part will be repaired or replaced by B&S at no charge to the owner. Any such part repaired or replaced under the warranty will be warranted for the remaining warranty period.
  - Any warranted part that is scheduled only for regular inspection in the owner's manual supplied, is warranted for the warranty period stated above. Any such part repaired or replaced under warranty will be warranted for the remaining warranty period.
  - Any warranted part that is scheduled for replacement as required maintenance in the owner's manual supplied, is warranted for the period of time prior to the first scheduled replacement point for that part. If the part fails prior to the first scheduled replacement, the part will be repaired or replaced by B&S at no charge to the owner. Any such part repaired or replaced under warranty will be warranted for the remainder of the period prior to the first scheduled replacement point for the part.
  - Add on or modified parts that are not exempted by the Air Resources Board may not be used. The use of any non exempted add on or modified parts by the owner will be grounds for disallowing a warranty claim. The manufacturer will not be liable to warrant failures of warranted parts caused by the use of a non exempted add on or modified part.
3. Consequential Coverage
- Coverage shall extend to the failure of any engine components caused by the failure of any warranted emissions parts.
4. Claims and Coverage Exclusions

Warranty claims shall be filed according to the provisions of the B&S engine warranty policy. Warranty coverage does not apply to failures of emissions parts that are not original equipment B&S parts or to parts that fail due to abuse, neglect, or improper maintenance as set forth in the B&S engine warranty policy. B&S is not liable for warranty coverage of failures of emissions parts caused by the use of add-on or modified parts.

**Look For Relevant Emissions Durability Period and Air Index Information On Your Small Off-Road Engine Emissions Label**

Engines that are certified to meet the California Air Resources Board (CARB) small off-road Emissions Standard must display information regarding the Emissions Durability Period and the Air Index. Briggs & Stratton makes this information available to the consumer on our emissions labels. The engine emissions label will indicate certification information.

The **Emissions Durability Period** describes the number of hours of actual running time for which the engine is certified to be emissions compliant, assuming proper maintenance in accordance with the Operating & Maintenance Instructions. The following categories are used:

**Moderate:**  
Engine is certified to be emissions compliant for 125 hours of actual engine running time.

**Intermediate:**  
Engine is certified to be emissions compliant for 250 hours of actual engine running time.

**Extended:**  
Engine is certified to be emissions compliant for 500 hours of actual engine running time. For example, a typical walk-behind lawn mower is used 20 to 25 hours per year. Therefore, the **Emissions Durability Period** of an engine with an **intermediate** rating would equate to 10 to 12 years.

Briggs & Stratton engines are certified to meet the United States Environmental Protection Agency (USEPA) Phase 2 emissions standards. For Phase 2 certified engines, the Emissions Compliance Period referred to on the Emissions Compliance label indicates the number of operating hours for which the engine has been shown to meet Federal emissions requirements.

For engines less than 225 cc displacement.  
Category C = 125 hours, Category B = 250 hours, Category A = 500 hours

For engines of 225 cc or more displacement.  
Category C = 250 hours, Category B = 500 hours, Category A = 1000 hours

## Información General

Este manual contiene información de seguridad para que usted tome conciencia de los peligros y riesgos asociados con los motores, y cómo evitarlos. También contiene instrucciones para el uso y cuidado apropiados del motor. Ya que Briggs & Stratton Corporation no conoce necesariamente cuál equipo impulsará este motor, es importante que usted lea y entienda estas instrucciones y las instrucciones del equipo. **Guarde estas instrucciones para consultarlas en el futuro.**

Para conseguir repuestos o asistencia técnica registre los números de modelo, tipo y código de su motor junto con la fecha de compra. Estos números los encuentra localizados en su motor (consulte la página de **Características y Controles**).

**Fecha de compra:** \_\_\_\_\_  
MES/DIA/AÑO

**Modelo del motor:** \_\_\_\_\_  
Modelo: Tipo: Código:


## Clasificación de Potencia


La clasificación de potencia total para los modelos individuales de motores a gas se etiqueta de acuerdo con el código J1940 de SAE (Sociedad de Ingenieros Automotrices) (Procedimiento de Clasificación de Potencia & Torque del Motor Pequeño) y la clasificación de desempeño se ha obtenido y se ha corregido de acuerdo con SAE J1995 (Revisión 2002-05). Los valores de Torque se derivan a 3060 RPM; los valores de potencia se derivan a 3600 RPM. Los valores netos de potencia se toman con escape y filtro de aire instalado mientras que los valores de potencia total se recogen sin estos accesorios. La potencia total real del motor puede ser mayor que la potencia neta del motor y estar afectada por, entre otras cosas, condiciones ambientales de operación y variabilidad de motor a motor. Dado el amplio conjunto de productos en los cuales son puestos los motores, el motor a gas podría no desarrollar la potencia total nominal cuando sea usado en una parte dada del equipo acoplado. Esta diferencia se debe a una variedad de factores que incluyen, sin limitarse a, la avierdad de componentes del motor (filtro de aire, sistema de escape, sistema de carga, sistema de enfriamiento, carburador, bomba de combustible, etc.), limitaciones de la aplicación, condiciones ambientales de operación (temperatura, humedad, altitud), y a la variabilidad de motor a motor. Debido a las limitaciones de fabricación y capacidad Briggs & Stratton puede sustituir un motor de potencia nominal más alta por esta Serie de motor.


## Seguridad del Operario


### SÍMBOLOS DE SEGURIDAD Y CONTROL



El símbolo de aviso de seguridad  se utiliza para identificar la información de seguridad relacionada con los peligros que pueden ocasionar lesiones personales. Se señala con una palabra (PELIGRO, ADVERTENCIA o PRECAUCIÓN) con el símbolo de aviso para indicar la probabilidad de una lesión y su gravedad potencial. Además, un símbolo de peligro puede ser utilizado para representar el tipo de peligro.

 **PELIGRO** indica un peligro que si no es evitado, **ocasionará la muerte o heridas graves.**

 **ADVERTENCIA** indica un peligro que si no es evitado, **podría ocasionar la muerte o heridas graves.**

 **PRECAUCIÓN** indica un peligro que, si no es evitado, **podría ocasionar lesiones menores o moderadas.**

**NOTIFICACIÓN** indica una situación que **podría ocasionar daños al producto.**

### **ADVERTENCIA**

Ciertos componentes en este producto y sus accesorios relacionados contienen químicos que el Estado de California considera que ocasionan cáncer, defectos congénitos y otros daños en el aparato reproductivo. Lávese las manos después de manejarlos.

### **ADVERTENCIA**

La descarga de escape que expelle este motor por este producto contiene químicos conocidos para el Estado de California que pueden ocasionar cáncer, defectos de nacimiento u otros daños que pueden ser perjudiciales para la reproducción.


### **ADVERTENCIA**

Briggs & Stratton no aprueba ni autoriza el uso de estos motores en Vehículos Todo Terreno de 3-ruedas (ATVs), bicicletas motorizadas, karts para diversión/recreo, productos para aviación o vehículos para uso en eventos competitivos. El uso de estos motores en tales aplicaciones podría ocasionar daños a la propiedad, lesiones graves (incluyendo parálisis), o incluso la muerte.

**NOTIFICACIÓN:** Este motor fue despachado de Briggs & Stratton sin aceite. Antes de darle arranque al motor, asegúrese de agregar aceite de acuerdo con las instrucciones de este manual. Si da arranque al motor sin que éste tenga aceite, se dañará hasta tal punto que no podrá ser reparado y no será cubierto por la garantía.

### **ADVERTENCIA**

 **El combustible y sus vapores son extremadamente inflamables y explosivos.**

 **Un incendio o una explosión pueden causar graves quemaduras o la muerte.**

#### Quando Aprovechone con Combustible

- Llene el tanque de combustible en exteriores o en un área bien ventilada.
- Compruebe con frecuencia si existen grietas o fugas en las mangueras de combustible, el tanque, la tapa y en los accesorios. Cámbielos si es necesario.

#### Quando le de Arranque al motor

- Asegúrese que la bujía, el mofle y el filtro de aire (si está equipado) estén en su lugar y firmemente asegurados.
- No haga girar el motor si removió la bujía.

#### Quando Opere El Equipo

- Nunca arranque u opere el motor si removió el conjunto del filtro de aire (si está equipado) o el filtro de aire (si está equipado).


#### Quando Transporte el Equipo


- Transporte los motores que operen con Gas Natural/Gas Propano (LP) con el cilindro de combustible vacío o con la válvula cerrada, o con el tanque desconectado.

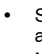
#### Quando Almacene el Combustible o el Equipo con Combustible en el Tanque

- Almacene a distancia de hornos, estufas, calentadores de agua u otros aparatos que utilicen testigos piloto u otras fuentes de encendido ya que estos pueden encender los vapores combustibles.

### **ADVERTENCIA**


 **Dar arranque al motor crea chispeo.**

 **El chispeo puede encender los gases inflamables cercanos.**

 **Podría ocurrir una explosión o un incendio.**

- Si hay una fuga de gas natural o gas propano LP en el área, no le de arranque al motor.
- No use líquidos de arranque presurizado ya que los vapores son inflamables.

### **ADVERTENCIA**

 **Los motores emiten monóxido de carbono, un gas venenoso que carece de olor y de color.**

 **Respirar monóxido de carbono puede ocasionar náuseas, desmayos o la muerte.**

- Dele arranque al motor y opérela en exteriores.
- No le de arranque al motor ni lo opere en un área encerrada, aun cuando las puertas o las ventanas se encuentren abiertas.



### ADVERTENCIA



La retracción rápida de la cuerda de arranque (contragolpe) le halará la mano y el brazo hacia el motor más rápido de lo que usted la pueda dejar ir.

Podrían ocasionarse roturas de huesos, fracturas, moretones o torceduras.

- Cuando le de arranque al motor, hale lentamente la cuerda hasta que se sienta resistencia y después hálela rápidamente para evitar un contragolpe.
- Remueva todas las cargas externas del equipo/motor antes de darle arranque al motor.
- Los componentes de acople directo del equipo tal como, pero sin limitarse a, cuchillas, impulsores, poleas, dientes de piñones, etc. se deben asegurar firmemente.



### ADVERTENCIA



Las partes rotantes pueden tener contacto o enredar las manos, los pies, el cabello, la ropa o los accesorios.

Puede producirse una traumática amputación o una grave laceración.

- Opere el equipo con los protectores en su lugar.
- Mantenga sus manos y sus pies a distancia de las partes rotantes.
- Recójase el cabello largo y quítese las joyas.
- No use ropa floja, tiras que cuelguen ni artículos que puedan ser agarrados.



### ADVERTENCIA



El funcionamiento de los motores produce calor. Las partes de los motores, especialmente el mofle, se calientan demasiado.

Pueden ocurrir graves quemaduras a causa de su contacto.



Desechos combustibles, tal como hojas, grama, maleza, etc. pueden alcanzar a encenderse.

- Deje que el mofle, el cilindro y las aletas del motor se enfríen antes de tocarlos.
- Remueva los desechos acumulados en el área del mofle y en el área del cilindro.
- Usar u operar el motor en un terreno que contenga bosques, arbustos o pasto es una violación al Código de Recursos Públicos de California, Sección 4442, a menos que el sistema de escape esté equipado con un atrapachispas, según se define en la Sección 4442, mantenido en excelente estado de funcionamiento. Otros estados o jurisdicciones federales pueden tener leyes similares. Contacte al fabricante, comerciante o distribuidor del equipo original para obtener un atrapachispas diseñado para el sistema de escape instalado en este motor.



### ADVERTENCIA



Un chispeo involuntario puede producir un incendio o una descarga eléctrica.



Una puesta en marcha involuntaria puede ocasionar un enredo, una amputación traumática o una laceración.



Peligro de incendio

#### Antes de hacer ajustes o reparaciones:

- Desconecte el cable de la bujía y mántegalo a distancia de la bujía.
- Desconecte la batería en la terminal negativa (únicamente motores con arranque eléctrico).
- Use únicamente las herramientas correctas.
- No manipule los resortes del regulador, las varillas u otras partes para incrementar la velocidad del motor.
- Los repuestos deben ser del mismo diseño y ser instalados en la misma posición que tenían las partes originales. Es posible que otros repuestos no funcionen tan bien, dañen la unidad y hasta pueden ocasionar lesiones.
- No golpee la volante con un martillo ni con un objeto pesado ya que la volante podría astillarse más adelante durante la operación.

#### Cuando compruebe chispa:

- Utilice un probador aprobado.
- No compruebe chispa si removió la bujía.



### ADVERTENCIA



Los combustibles gaseosos son extremadamente inflamables y fácilmente forman mezclas explosivas de aire-vapor en temperaturas ambiente.



- No le de arranque al motor.
- No accione ninguno de los suiches eléctricos.
- No use el teléfono cerca.
- Evacúe el área.
- Contacte al proveedor de gas o al departamento de bomberos.



### ADVERTENCIA



Protéjase los ojos cuando realice un trabajo de reparación.



Se puede presentar congelamiento por el contacto de la piel/ojos con una fuga de gas propano.

- La instalación, el ajuste y las labores de reparación deben hacerse por un técnico calificado.
- Las mangueras flexibles de suministro deben revisarse con regularidad para asegurarse que están en buenas condiciones. Reemplace los componentes que estén dañados o que presenten fugas.



### ADVERTENCIA



Si falta la válvula de "paso de combustible" o si es inoperante se podría presentar una explosión o un incendio.



- No opere el equipo si falta la válvula de "paso de combustible" o si es inoperante.

# Características y Controles

Compare la ilustración ① con su motor para que se familiarice con la ubicación de las diversas características y controles.

## A. Identificación del Motor

**Modelo Tipo Código**

- B. Bujía
- C. Filtro de Aire
- D. Varilla Indicadora Nivel de Aceite
- E. Tapón Drenaje Aceite
- F. Protector de Dedos
- G. Filtro de Aceite
- H. Arranque eléctrico
- I. Drenaje rápido del aceite (opcional)
- J. Refrigerador de Aceite

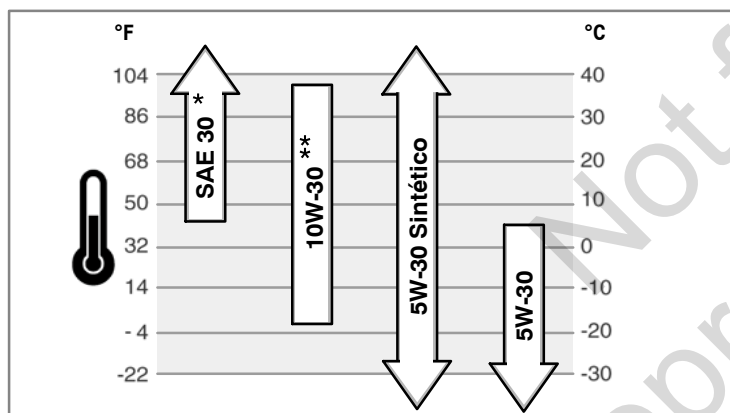
# Operación

Capacidad de aceite (vea la sección de **Especificaciones**)

## Recomendaciones de Aceite

Se recomienda el uso de aceites Certificados por la Garantía Briggs & Stratton para mejor rendimiento. Otros aceites detergentes de alta calidad son aceptables si están clasificados para servicio SF, SG, SH, SJ o superior. No utilice aditivos especiales.

Las temperaturas exteriores determinan la viscosidad del aceite apropiada para el motor. Utilice el cuadro para seleccionar la mejor viscosidad para el rango de temperatura exterior esperado.



\* El uso de aceite SAE 30 a temperaturas inferiores a 40°F (4°C) producirá dificultad de arranque.

\*\* El uso de aceite 10W-30 a temperaturas superiores a 80°F (27°C) puede producir un incremento en el consumo de aceite. Compruebe el nivel de aceite con mayor frecuencia.

## Cómo verificar/Añadir aceite - Figura ②

### Antes de aprovisionar con aceite o de comprobar el nivel de aceite

- Coloque el motor a nivel.
  - Limpie el área de llenado de aceite de todo desecho.
1. Remueva la varilla indicadora de nivel de aceite (A) y límpiela con un trapo limpio (Figura 2).
  2. Inserte y apriete la varilla indicadora de nivel de aceite.
  3. Remueva la varilla indicadora de nivel de aceite y compruebe el nivel de aceite. El aceite debe alcanzar la marca FULL (B) en la varilla indicadora de nivel de aceite.
  4. Si el nivel de aceite es bajo, añada aceite lentamente por dentro del tubo de llenado de aceite (C). **No llene excesivamente.** Después de aprovisionar con aceite, espere un minuto y después vuelva a comprobar el nivel de aceite.  
*Note:* No agregue aceite al drenaje rápido del aceite (L, Figura 1) (si está equipado).
  5. Coloque y apriete la varilla indicadora de nivel de aceite.

## Presión de Aceite

Si la presión de aceite es muy baja, un suiche de presión (si está equipado) detendrá el motor o activará un dispositivo de advertencia en el equipo. Si esto ocurre, detenga el motor y compruebe el nivel de aceite con la varilla indicadora de nivel de aceite.

Si el nivel de aceite está por debajo de la marca ADD, agregue aceite hasta que alcance la marca FULL. De arranque al motor y compruebe que tenga la presión correcta antes de continuar la operación.

Si el nivel de aceite está entre las marcas ADD y FULL, **no de arranque** al motor. Contacte un Distribuidor Autorizado Briggs & Stratton para corregir el problema de presión de aceite.

## Recomendaciones para el Combustible



### ADVERTENCIA



Si falta la válvula de "paso de combustible" o si es inoperante se podría presentar una explosión o un incendio.



- No opere el equipo si falta la válvula de "paso de combustible" o si es inoperante.

### El combustible debe cumplir con estos requerimientos:

- Use combustible limpio, seco, libre de humedad o cualquier partícula. El uso de combustibles por fuera de los siguientes valores recomendados podría ocasionar problemas de rendimiento.
- En motores ajustados para operar con gas propano LPG, se recomienda un grado comercial HD5 LPG. La composición recomendada de combustible es combustible con una energía mínima de combustible de 2500 BTU's/pies<sup>3</sup> con un contenido máximo de propileno del 5% y butano y un contenido más denso de gas del 2.5% y un contenido mínimo de propano del 90%.

Los motores que operan con NG o LPG están certificados para funcionar con gas natural o con gas propano. El sistema de control de emisiones para este motor es EM (Modificaciones del Motor).

## Cómo Aprovisionar con Combustible

Para obtener información acerca del aprovisionamiento de combustible para motores que funcionan con gas natural o con gas propano LP, lea las instrucciones de operación suministradas por el fabricante del equipo.

## Cómo Darle Arranque al Motor



### ADVERTENCIA



El combustible y sus vapores son extremadamente inflamables y explosivos.



Un incendio o una explosión pueden causar graves quemaduras o la muerte.

### Cuando le de Arranque al motor

- Asegúrese que la bujía, el mofle y el filtro de aire (si está equipado) estén en su lugar y firmemente asegurados.
- No haga girar el motor si removió la bujía.



### ADVERTENCIA



Los motores emiten monóxido de carbono, un gas venenoso que carece de olor y de color.

Respirar monóxido de carbono puede ocasionar náuseas, desmayos o la muerte.

- Dele arranque al motor y opérela en exteriores.
- No le de arranque al motor ni lo opere en un área encerrada, aun cuando las puertas o las ventanas se encuentren abiertas.

**NOTIFICACIÓN:** Este motor fue despachado de Briggs & Stratton sin aceite. Antes de darle arranque al motor, asegúrese de agregar aceite de acuerdo con las instrucciones de este manual. Si da arranque al motor sin que éste tenga aceite, se dañará hasta tal punto que no podrá ser reparado y no será cubierto por la garantía.

1. Compruebe el nivel de aceite. Vea la sección **Cómo Comprobar/Aprovisionar con Aceite**.
2. Consulte el manual del equipo acerca del procedimiento de arranque.

## Cómo Detener el Motor

Consulte el manual del equipo acerca del procedimiento de detención.

# Mantenimiento

Recomendamos contactar un Distribuidor Autorizado Briggs & Stratton para todo lo relacionado con el mantenimiento y el servicio del motor y sus partes.

**NOTIFICACIÓN:** Todos los componentes utilizados para fabricar este motor deben mantenerse en su lugar para una correcta operación.

## Control de Emisiones

El mantenimiento, cambio o reparación de los dispositivos y sistemas del control de emisiones pueden ser realizados por cualquier establecimiento o persona que repare motores todo terreno. Sin embargo, para obtener servicio de control de emisiones "sin costo", la labor debe ser realizada por un distribuidor autorizado por la fábrica. Vea la Garantía de Emisiones.



### ADVERTENCIA

Un chispeo involuntario puede producir un incendio o una descarga eléctrica.



Una puesta en marcha involuntaria puede ocasionar un enredo, una amputación traumática o una laceración.



Peligro de incendio



#### Antes de hacer ajustes o reparaciones:

- Desconecte el cable de la bujía y mántegalo a distancia de la bujía.
- Desconecte la batería en la terminal negativa (únicamente motores con arranque eléctrico).
- Use únicamente las herramientas correctas.
- No manipule los resortes del regulador, las varillas u otras partes para incrementar la velocidad del motor.
- Los repuestos deben ser del mismo diseño y ser instalados en la misma posición que tenían las partes originales. Es posible que otros repuestos no funcionen tan bien, dañen la unidad y hasta pueden ocasionar lesiones.
- No golpee la volante con un martillo ni con un objeto pesado ya que la volante podría astillarse más adelante durante la operación.

#### Cuando compruebe chispa:

- Utilice un probador aprobado.
- No compruebe chispa si removió la bujía.

## Cuadro de Mantenimiento

<b>Las Primeras 5 horas</b>
<ul style="list-style-type: none"> <li>• Cambie aceite</li> </ul>
<b>Cada 8 Horas o diariamente</b>
<ul style="list-style-type: none"> <li>• Compruebe el nivel de aceite del motor</li> </ul>
<b>Cada 50 horas o anualmente</b>
<ul style="list-style-type: none"> <li>• Limpie el filtro de aire *</li> <li>• Cambie el aceite del motor</li> <li>• Reemplace el filtro de aceite (si está equipado)</li> <li>• Revise el Mofle y el Atrapachispas (si están equipados)</li> </ul>
<b>Cada 100 horas o anualmente</b>
<ul style="list-style-type: none"> <li>• Cambie el filtro de aire.</li> <li>• Sustituya las bujías</li> <li>• Limpie el sistema de enfriamiento de aire *</li> <li>• Compruebe la tolerancia de la válvula. Ajuste de ser necesario.</li> </ul>
<b>Anualmente</b>
<ul style="list-style-type: none"> <li>• Cambie el filtro de aire.</li> <li>• Sustituya las bujías</li> <li>• Limpie el sistema de enfriamiento de aire *</li> </ul>

\* Limpie con mayor frecuencia en condiciones de mucho polvo o cuando el aire contenga muchas partículas.

## Cómo reemplazar la bujía - Figure 3

Compruebe el entrehierro (A, Figura 3) con un calibrador de alambre (B). Si es necesario, reajuste el entrehierro. Instale y apriete la bujía al par de apriete recomendado. Para el ajuste del entrehierro o el par de apriete, consulte la sección de **Especificaciones**.

**Nota:** En algunas áreas, las leyes locales requieren el uso de una bujía con resistencia para suprimir las señales de encendido. Si este motor vino originalmente equipado con una bujía con resistencia, utilice el mismo tipo de bujía para el cambio.

## Inspección del Mofle y el Atrapachispas



### ADVERTENCIA



El funcionamiento de los motores produce calor. Las partes de los motores, especialmente el mofle, se calientan demasiado.

Pueden ocurrir graves quemaduras a causa de su contacto.



Desechos combustibles, tal como hojas, grama, maleza, etc. pueden alcanzar a encenderse.

- Deje que el mofle, el cilindro y las aletas del motor se enfríen antes de tocarlos.
- Remueva los desechos acumulados en el área del mofle y en el área del cilindro.
- Constituye una violación del Código de Recursos Públicos de California, Sección 4442, el utilizar u operar el motor en terrenos cubiertos con bosques, maleza o grama, a menos que el sistema de escape esté equipado con un atrapachispas, tal como se define en la Sección 4442, mantenido en correcto orden de funcionamiento. Otros estados pueden tener leyes similares. Póngase en contacto con el fabricante, minorista o distribuidor del equipo original para obtener un atrapachispas diseñado para el sistema de escape instalado en este motor.

Las partes del sistema de escape son instaladas por el fabricante del equipo. Para información específica sobre mantenimiento y reemplazo, póngase en contacto con el fabricante del equipo.

Remueva los desechos acumulados en el área del mofle y en el área del cilindro. Inspeccione el mofle en busca de grietas, corrosión u otros daños. Remueva el atrapachispas, en caso de estar equipado, e inspeccione en búsqueda de daños u obstrucciones de carbón. Si se encuentran daños, instale los repuestos antes de operar



### ADVERTENCIA:

Los repuestos deben ser del mismo diseño y ser instalados en la misma posición que tenían las partes originales. Es posible que otros repuestos no funcionen tan bien, dañen la unidad y hasta pueden ocasionar lesiones.

## Cómo cambiar el aceite - Figure 4 5

El aceite usado es un producto de desecho peligroso y debe ser desechado en forma apropiada. No lo descarte con la basura de la casa. Verifique con sus autoridades locales, con el centro de servicio, o con su distribuidor para obtener información acerca de las instalaciones para su destrucción/reciclaje seguros

## Remoción del Aceite

1. Con el motor apagado pero aún caliente, desconecte el cable de la bujía (A) y mántegalo a distancia de la bujía (Figura 4).
2. Retire la varilla indicadora de nivel de aceite (D).

### Tapón de drenaje de aceite estándar

1. Remueva el tapón de drenaje de aceite (B). Drene el aceite en un recipiente aprobado.

**Nota:** Cualquiera de los tapones de drenaje de aceite mostrados a continuación puede estar instalado en el motor.



2. Después de haber drenado el aceite del motor, instale y apriete el tapón de drenaje de aceite.

### Tapón de drenaje de aceite opcional

1. Gire y retire la tapa de drenaje del aceite (H). Cuidadosamente haga descender el drenaje rápido del aceite (I) a un recipiente aprobado (J).
2. Después de haber drenado el aceite, instale y apriete la tapa de drenaje del aceite.

## Cambie el Filtro de Aceite (si está equipado)

Para saber cada cuánto requiere ser reemplazado, consulte el cuadro de **Mantenimiento**.

1. Drene el aceite del motor. Consulte la sección **Remoción del Aceite**.
2. Remueva el filtro de aceite (C) y deséchelo de manera adecuada. Vea la Figura 5.
3. Antes de instalar el nuevo filtro de aceite, lubrique un poco el empaque del filtro de aceite con aceite fresco y limpio.
4. Instale manualmente el filtro de aceite de hasta que el empaque haga contacto con el adaptador del filtro de aceite, luego apriete el filtro de aceite dándole 1/2 a 3/4 de giro.
5. Añada aceite. Consulte la sección **Aprovisionamiento de Aceite**.
6. De arranque y opere el motor. A medida que el motor se caliente compruebe si hay fugas de aceite.
7. Detenga el motor y compruebe el nivel de aceite. El nivel de aceite debe alcanzar la marca FULL en la varilla indicadora de nivel de aceite.

## Aprovisionamiento de Aceite

- Coloque el motor a nivel.
  - Limpie el área de llenado de aceite de todo desecho.
  - Consulte la sección de **Especificaciones** para la capacidad de aceite.
1. Remueva la varilla indicadora de nivel de aceite (D) y límpiela con un trapo limpio (Figura 4).
  2. Vierta el aceite lentamente por dentro del tubo de llenado de aceite (E). **No lo llene excesivamente.** Después de aprovisionar con aceite, espere un minuto y vuelva a comprobar el nivel de aceite.
  3. Coloque y ajuste la varilla indicadora.
  4. Remueva la varilla indicadora de nivel de aceite y compruebe el nivel de aceite en la varilla. El nivel de aceite debe alcanzar la marca FULL (F) en la varilla indicadora de nivel de aceite.
  5. Coloque y ajuste la varilla indicadora.

## Cómo mantener el filtro de aire - Figura 6



### ADVERTENCIA



El combustible y sus vapores son extremadamente inflamables y explosivos.



Un incendio o una explosión pueden causar graves quemaduras o la muerte.

- Nunca arranque u opere el motor si removió el conjunto del filtro de aire (si está equipado) o el filtro de aire (si está equipado).

**NOTIFICACIÓN:** No use aire a presión ni solventes para limpiar el filtro. El aire a presión puede dañar el filtro y los solventes pueden disolverlo.

1. Retire la cubierta (A, Figura 6).
2. Para retirar el filtro (B), levante el extremo del filtro.
3. Para aflojar los desechos, golpee suavemente el filtro sobre una superficie dura. Si el filtro está excesivamente sucio, reemplácelo con un nuevo filtro.
4. Instale el filtro sobre la base del motor (C) y empuje hacia abajo hasta que el filtro encaje en su lugar.
5. Instale la tapa.

## Cómo Limpiar el Sistema de Enfriamiento de Aire - Figura 7



### ADVERTENCIA



El funcionamiento de los motores produce calor. Las partes de los motores, especialmente el mofle, se calientan demasiado.



Pueden ocurrir graves quemaduras a causa de su contacto.



Desechos combustibles, tal como hojas, grama, maleza, etc. pueden alcanzar a encenderse.

- Deje que el mofle, el cilindro y las aletas del motor se enfríen antes de tocarlos.
- Remueva los desechos acumulados en el área del mofle y en el área del cilindro.

**NOTIFICACIÓN:** No use agua para limpiar el motor. El agua podría contaminar el sistema de combustible. Utilice un cepillo o un trapo seco para limpiar el motor.

Este es un motor enfriado por aire. Las suciedades o los desechos pueden restringir el flujo de aire y ocasionar recalentamiento en el motor, produciendo un desempeño pobre y una vida del motor reducida.

Utilice un cepillo o un trapo seco para remover los desechos del protector de dedos/malla de la volante (A). Mantenga las varillas, los resortes y los controles (B) limpios. Mantenga el área alrededor y por detrás del mofle libre de todo desecho combustible (Figure 7). Asegúrese que las aletas del refrigerador de aceite (C) estén libres de mugre y de desechos.

## Bodegaje



### ADVERTENCIA



El combustible y sus vapores son extremadamente inflamables y explosivos.



Un incendio o una explosión pueden causar graves quemaduras o la muerte.

#### Quando Almacene el Combustible o el Equipo con Combustible en el Tanque

- Almacene a distancia de hornos, estufas, calentadores de agua u otros aparatos que utilicen testigos piloto u otras fuentes de encendido ya que estos pueden encender los vapores combustibles.

### Aceite del Motor

Mientras el motor se encuentre aún caliente, cambie el aceite del motor. Consulte la sección **Cómo cambiar el aceite.**

### Detección de Fallas

¿Necesita Asistencia? Vaya a [BRIGGSandSTRATTON.COM](http://BRIGGSandSTRATTON.COM) o marque el teléfono 1-800-233-3723.

## Especificaciones

### Especificaciones del Motor

Modelo	490000
Desplazamiento	49,42 in <sup>3</sup> (810 cm <sup>3</sup> )
Diámetro Interno del Cilindro	3,300 in (83,81 mm)
Carrera	2,890 in (73,41 mm)
Capacidad de Aceite	62 - 64 oz (1,8 - 1,9 L)

### Especificaciones de Ajuste \*

Modelo	490000
Entrehierro de la Bujía	0,020 in (0,51 mm)
Torque de la Bujía	180 lb-in (20 Nm)
Entrehierro Inducido	0,008 - 0,012 in (0,20 - 0,30 mm)
Tolerancia de la Válvula de Admisión	0,004 - 0,006 in (0,10 - 0,15 mm)
Tolerancia de la Válvula de Escape	0,009 - 0,011 in (0,23 - 0,28 mm)

\* La potencia del motor disminuirá 3.5% por cada 1,000 pies (300 metros) sobre el nivel del mar y un 1% por cada 10° F (5.6° C) por encima de 77° F (25° C). El motor operará satisfactoriamente a un ángulo de hasta 15°. Refiérase al manual del operador del equipo para obtener información acerca de los límites de operación permitidos en pendientes.

### Partes de Servicio Comunes ✓

Parte de Servicio	Numero de parte
Filtro de Aire, Ovalado	798748
Aceite - SAE 5W-30	100074
Filtro de Aceite	492932
Bujía con Resistencia	692051
Bujía de Platino de Larga Vida	5066
Llave de Bujía	19374
Probador de Chispa	19368

✓ Recomendamos que contacte un Distribuidor de Servicio Autorizado Briggs & Stratton para todo lo relacionado con el mantenimiento y el servicio del motor y sus partes.

**GARANTIA LIMITADA**

Briggs & Stratton Corporation reparará o reemplazará, sin costo alguno, cual(es)quier parte(s) del motor considerada(s) como defectuosas en material, mano de obra o ambos. Los gastos de transporte del producto sometido a reparación o cambio bajo esta Garantía deben ser abonados por el comprador. Esta garantía tiene vigencia y está sujeta a los períodos y condiciones establecidos a continuación. Para recibir servicio de garantía, contacte el Distribuidor de Servicio Autorizado más cercano en nuestro mapa de localización de distribuidores en BRIGGSandSTRATTON.COM, o marque el 1-800-233-3723, o según aparezca listado en las 'Páginas Amarillas'.

**No existe ninguna otra garantía expresa. Las garantías implícitas, incluso aquellas de mercantilidad y adaptabilidad para un fin determinado quedan limitadas a un año a partir de la fecha de compra o a la extensión permitida por la ley. Quedan excluidas todas las garantías implícitas. La responsabilidad por daños fortuitos o consecuentes bajo cualesquier y todas las garantías queda excluida en la medida que dicha exclusión sea permitida por la ley.** Algunos estados o países no contemplan limitaciones en cuanto a la duración de una garantía implícita, y otros países o estados no permiten la exclusión o limitación de daños consecuentes o incidentales, en cuyo caso la limitación y la exclusión anteriores pueden no ser aplicables para usted. Esta garantía le otorga derechos legales específicos, pudiendo tener a su vez otros derechos que varían de un país a otro y de un estado a otro.

**TÉRMINOS ESTÁNDAR PARA GARANTÍA \* ▲**

Marca/Tipo de Producto	Uso Privado	Uso Comercial
Vanguard™ ■	3 años	3 años
Extended Life Series™; I/C®; Intek™ I/C®; Intek™ Pro; Commercial Turf Series™ Professional Series™ con Funda de Hierro Colado Dura-Bore™; 850 Series™ con Funda de Hierro Colado Dura-Bore™; Snow Series MAX™ con Funda de Hierro Colado Dura-Bore™ Todos los otros motores Briggs & Stratton que incorporan Funda de Hierro Colado Dura-Bore™	2 años	1 año
Todos los otros motores Briggs & Stratton	2 años	90 días

- \* Éstos son nuestros términos de garantía estándares, pero de vez en cuando puede existir una cobertura adicional de la garantía que no fue determinada en el momento de la publicación. Para obtener un listado de los términos de garantía corrientes para su motor, vaya a BRIGGSandSTRATTON.COM o póngase en contacto con su Distribuidor de Servicio autorizado de Briggs & Stratton.
- ▲ Aplicaciones para Generadores Domésticos: Garantía de sólo 2 años para el consumidor. Los motores usados en aplicaciones de Generadores Domésticos están garantizados únicamente para uso privado. Esta garantía no se aplica a motores en equipos usados para energía principal en lugar de un servicio. **Los motores usados en eventos competitivos o en trayectorias comerciales o de renta no están cubiertos por la garantía.**
- Vanguard instalado en generadores standby: 2 años de uso por el consumidor, la garantía solo aplica para generadores en uso privado. Vanguard instalado en vehículos de servicio: 2 años de uso por el consumidor, 2 años para uso comercial. Vanguard para líquido enfriado de 3-cilindros: ver la Garantía en la Póliza de Propiedad 3/LC de Briggs & Stratton.

El período de garantía comienza a partir de la fecha en la cual lo compró el consumidor detallista original o usuario final comercial, y continúa por el período de tiempo establecido en la tabla anterior. "Uso privado" significa uso doméstico personal por el consumidor detallista original. "Uso Comercial" significa todos los otros usos, incluyendo fines comerciales o que produzcan ingresos o renta. Una vez que el motor haya experimentado uso comercial, será considerado en adelante como motor de uso comercial para fines de esta garantía.

**No es necesario registrar la garantía para obtener servicio de Briggs & Stratton Products. Guarde su recibo de compra. Si no aporta la prueba de la fecha de compra inicial en el momento de requerir servicio de garantía, se utilizará la fecha de fabricación del producto para determinar el período de garantía.**

**Acerca de su Garantía**

Briggs & Stratton recibe con agrado la reparación bajo garantía y le pedimos disculpas por los inconvenientes presentados. Cualquier Distribuidor de Servicio Autorizado puede hacer reparaciones bajo garantía. La mayor parte de las reparaciones bajo garantía se atienden de manera rutinaria, pero algunas veces las peticiones para el servicio de garantía pueden no ser apropiadas.

Si un cliente no está de acuerdo con la decisión del Distribuidor de Servicio, se realizará una investigación para determinar la aplicabilidad de la garantía. Pida a su Distribuidor de Servicio que envíe toda la información pertinente a su Distribuidor o a la Fábrica para proceder a su revisión. Si el Distribuidor o la Fábrica deciden que su reclamación es justificada, al cliente le será reembolsado totalmente el importe de aquellas partes que son defectuosas. Para evitar cualquier malentendido que pudiera presentarse entre el cliente y el Distribuidor de Servicio, listamos a continuación algunas de las causas de fallas del motor que no cubre la garantía.

**Desgaste Normal:** Los motores necesitan, como todos los dispositivos mecánicos, el cambio y el servicio periódico de las partes para desempeñarse bien. La garantía no cubrirá la reparación cuando el uso normal haya agotado la vida de una parte o del motor. La garantía no podrá aplicarse si el daño del motor ocurrió debido a abuso, falta del mantenimiento habitual, transporte, manejo, bodegaje o instalación inapropiados. De igual manera se invalidará la garantía si el número serial del motor ha sido removido o si el motor ha sido alterado o modificado.

**Mantenimiento Incorrecto:** La vida útil de un motor depende de las condiciones bajo las cuales opere el motor y del cuidado que éste reciba. Algunas aplicaciones, tales como cultivadoras, bombas y máquinas cortacésped rotantes, se utilizan con mucha frecuencia en condiciones de mucho polvo o en condiciones muy sucias, las cuales pueden hacer que parezca un desgaste prematuro del motor. Tal desgaste, cuando es ocasionado por suciedad, polvo o por el hecho de limpiar la bujía con chorro de arena, o porque otro material abrasivo haya entrado al motor debido a un mantenimiento no apropiado, no será cubierto por la garantía.

**Esta garantía cubre únicamente, material defectuoso y/o mano de obra relacionados con el motor, y no el cambio o reembolso del equipo en el cual haya sido montado el motor. Ni extenderá la garantía a reparaciones requeridas debido a:**

- 1 Problemas ocasionados por el uso de partes que no sean partes originales Briggs & Stratton.
- 2 Controles del equipo o instalaciones que impidan el arranque, ocasionando un rendimiento poco satisfactorio del motor, o que acorten la vida del motor. (Contacte al fabricante del equipo.)

- 3 Carburadores con fugas, conductos de combustible obstruidos, válvulas atascadas u otros daños causados por el uso de combustible contaminado o pasado.
- 4 Partes que se hayan rayado o reventado por operar el motor con aceite lubricante insuficiente o contaminado, o por el uso del grado de viscosidad de aceite incorrecto (compruebe el nivel de aceite y termine de aprovisionar cuando sea necesario, y cambie aceite según los intervalos recomendados.) El dispositivo protector del aceite OIL GARD no se puede apagar durante la operación del motor. Se podrían presentar daños en el motor si el nivel de aceite no se mantiene correctamente.
- 5 Reparación o ajuste de partes asociadas o conjuntos tales como embragues, transmisiones, controles remoto, etc., los cuales no son fabricados por Briggs & Stratton.
- 6 Daño o desgaste de partes causado por la entrada de suciedades al motor debido al mantenimiento incorrecto del filtro de aire, montaje incorrecto, o por el uso de un elemento o cartucho para el filtro de aire que no sea original. Limpie y/o cambie el filtro según los intervalos recomendados de acuerdo a lo establecido en el Manual del Operador.
- 7 Partes dañadas por velocidad excesiva o recalentamiento causado por residuos de grama, desechos o suciedades los cuales taponan u obstruyen las aletas de enfriamiento, o el área de la volante, o por daños causados por operar el motor en un área confinada sin la suficiente ventilación. Limpie los desechos del motor según los intervalos recomendados de acuerdo a lo establecido en el Manual del Operador.
- 8 Partes del motor o del equipo quebradas por vibración excesiva causada por un montaje flojo del motor, cuchillas de corte flojas, cuchillas o impulsores flojos o no balanceados, fijación incorrecta del equipo al cigüeñal del motor, velocidad excesiva u otro abuso en la operación.
- 9 Un cigüeñal deformado o quebrado causado por golpear con un objeto sólido la cuchilla de corte de una máquina cortacésped rotante, o por tensión excesiva de las correas en v.
- 10 Afinación o ajuste de rutina del motor.

**Se dispone del servicio de garantía únicamente a través de distribuidores de servicio autorizados por Briggs & Stratton Corporation. Localice su Distribuidor de Servicio Autorizado más cercano en nuestro mapa de localización de distribuidores en BRIGGSandSTRATTON.COM, o marcando el teléfono 1-800-233-3723, o según aparezca listado en las 'Páginas Amarillas'.**



## Informations générales

Ce manuel contient des informations concernant la sécurité visant à attirer l'attention des usagers sur les dangers et les risques associés aux moteurs. Il contient aussi des instructions d'utilisation et d'entretien appropriées à ce moteur. Briggs & Stratton Corporation ne sachant pas forcément sur quel équipement ce moteur est monté, il est important de lire et de comprendre ces instructions ainsi que celles concernant l'équipement utilisé. **Conserver ces instructions originales pour un usage ultérieur.**

Pour obtenir des pièces de rechange ou une assistance technique, reporter ici les numéros de Modèle, Type et Code du moteur ainsi que la date d'achat. Ces numéros sont situés sur le moteur (voir la page **Caractéristiques et commandes**).

Date d'achat: \_\_\_\_\_

JJ/MM/AAAA

Modèle de moteur: \_\_\_\_\_

Modèle:

Type:

Code:

## Puissance théorique

La puissance théorique brute pour chaque modèle de moteur à essence est indiquée conformément à la norme J1940 (procédure de calcul de la puissance et du couple des petits moteurs) de la SAE (Society of Automotive Engineers) et les performances théoriques ont été obtenues et corrigées selon SAE J1995 (révision 2002-05). Les valeurs de couple sont définies à 3060 tr/min et les valeurs de puissance sont définies à 3600 tr/min. Les valeurs nettes de puissance sont établies avec l'échappement et le filtre à air installés tandis que les valeurs brutes de puissance sont définies sans ces accessoires. La puissance brute réelle du moteur sera supérieure à la puissance nette et est influencée notamment par les conditions ambiantes de fonctionnement et les variations d'un moteur à l'autre. Compte tenu de la grande variété de machines sur lesquelles nos moteurs sont utilisés, il se peut que le moteur à essence ne développe pas sa puissance brute théorique une fois qu'il est monté sur une machine particulière. Cette différence s'explique par un grand nombre de facteurs, tels que (liste non limitative), les accessoires (filtre à air, échappement, admission, refroidissement, carburateur, pompe à essence, etc.), les limites d'utilisation, les conditions ambiantes d'utilisation (température, humidité, altitude) et les variations d'un moteur à l'autre. Pour des raisons de fabrication et de capacité limitées, Briggs & Stratton est susceptible de remplacer un moteur par une version plus puissante pour ces moteurs de série.

## Sécurité de l'utilisateur

### SYMBOLES DE SÉCURITÉ ET DE COMMANDE



Incendie



Pièces en mouvement



Huile



Fumées toxiques



Slow



Fast



Arrêter



Explosion



Choc



Essence



Starter



Marche Arrêt



Robinet d'essence



Retour brutal



Porter des lunettes



Produits chimiques dangereux




Lire le manuel



Surface très chaude



Engelures

Le symbole d'alerte de sécurité  est utilisé pour identifier des informations sur des risques qui peuvent entraîner des blessures. Un mot (DANGER, AVERTISSEMENT, ATTENTION) est utilisé avec le symbole d'alerte pour indiquer le risque de blessure. En outre, un signal de danger peut être utilisé pour représenter le type de risque.



**DANGER** indique un risque qui, s'il n'est pas éliminé, **entraînera la mort ou des blessures très graves.**



**AVERTISSEMENT** indique un risque qui, s'il n'est pas éliminé, **pourrait entraîner la mort ou des blessures très graves.**



**ATTENTION** indique un risque qui, s'il n'est pas éliminé, **pourrait entraîner des blessures mineures ou légères.**

**AVIS** indique une situation qui **pourrait endommager l'appareil.**



### AVERTISSEMENT

Certains composants de ce produit et de ses accessoires contiennent des produits chimiques connus dans l'État de Californie pour provoquer des cancers et des troubles de la procréation. Se laver les mains après chaque manipulation.



### AVERTISSEMENT

Les gaz d'échappement de ce moteur contiennent des substances chimiques pouvant causer des cancers, des malformations fœtales ou d'autres problèmes de fécondation.



### AVERTISSEMENT

Briggs & Stratton n'approuve pas et n'autorise pas l'utilisation de ces moteurs sur les véhicules tout-terrain à 3 roues, les motocyclettes, les karts de loisir, les avions ou les véhicules destinés à être utilisés en compétition. L'utilisation de ces moteurs pour ces applications peut entraîner des dommages matériels, des lésions graves (y compris la paralysie) ou la mort.

**AVIS:** Ce moteur a été expédié par Briggs & Stratton sans huile. Avant de le démarrer, s'assurer d'avoir fait le plein d'huile selon les instructions de ce manuel. Si le moteur est démarré sans huile, il sera endommagé irrémédiablement et ne sera pas couvert par la garantie.



### AVERTISSEMENT



**Le combustible et ses vapeurs sont extrêmement inflammables et explosifs.**



**Un incendie ou une explosion peut entraîner des blessures très graves ou même la mort.**

#### Pour faire le plein

- Remplir le réservoir de carburant à l'extérieur ou dans un local extrêmement bien ventilé.
- Contrôler que les durites, le réservoir, le bouchon et les raccords de carburant ne présentent ni fissures ni fuites. Remplacer si nécessaire.

#### Pour démarrer le moteur

- S'assurer que la bougie, le bouchon du réservoir de carburant et le filtre à air sont le cas échéant montés et solidement fixés.
- Ne pas faire tourner le moteur avec la bougie enlevée.

#### Lors de l'utilisation de l'équipement

- Ne pas démarrer ou faire fonctionner un moteur sans filtre à air ou avec le filtre à air enlevé (le cas échéant).

#### Pour transporter l'équipement

- Pour les moteurs à gaz naturel/GPL, transporter avec le cylindre de carburant vide, le robinet fermé ou le réservoir débranché.

#### Pour stocker du carburant ou l'équipement avec un réservoir plein

- Les ranger loin des chaudières, cuisinières, chauffe-eau ou tout autre appareil comportant une veilleuse ou une source susceptible de produire une étincelle, car ils pourraient enflammer les vapeurs de carburant.



### AVERTISSEMENT



**Le démarrage du moteur produit des étincelles.**



**Les étincelles peuvent enflammer les gaz inflammables à proximité. Ceci pourrait provoquer une explosion ou un incendie.**

- S'il y a une fuite de gaz naturel ou de GPL à proximité, ne pas démarrer le moteur.
- Ne pas utiliser de liquides de démarrage sous pression car leurs vapeurs sont inflammables.



### AVERTISSEMENT



**Les moteurs produisent du monoxyde de carbone, qui est un gaz toxique inodore et invisible.**



**L'inhalation de monoxyde de carbone peut provoquer des nausées, un évanouissement et entraîner la mort.**

- Démarrer et faire fonctionner le moteur à l'extérieur.
- Ne pas démarrer ou faire fonctionner le moteur dans un local fermé, même si les portes et les fenêtres sont ouvertes.



### AVERTISSEMENT



La rétraction rapide de la corde de lanceur (retour brutal) tirera votre main et votre bras vers le moteur beaucoup plus vite que vous ne pourrez les laisser partir.

Ceci pourrait entraîner des fêlures, des fractures, des ecchymoses ou des foulures.

- Pour démarrer le moteur, tirer lentement sur la corde jusqu'à sentir une résistance et tirer alors rapidement afin d'éviter l'effet de rétraction.
- Retirer tout équipement extérieur/charge avant de démarrer le moteur.
- Les composants directement couplés à l'équipement, tels que lames, turbines, poulies, engrenages, etc. sans que cette liste soit limitative, devront être fermement arrimés.



### AVERTISSEMENT



Les combustibles gazeux sont extrêmement inflammables et forment facilement un mélange air-vapeur explosif à la température ambiante.



- **Ne pas** démarrer le moteur.
- **Ne pas** manipuler d'interrupteur électrique.
- **Ne pas** utiliser de téléphone à proximité.
- Évacuer la zone.
- Prendre contact avec la compagnie du gaz ou avec les pompiers.



### AVERTISSEMENT



Les pièces en rotation peuvent toucher ou saisir les mains, les pieds, les cheveux, les vêtements ou les accessoires.

Le résultat peut en être une amputation ou une lacération grave.

- Ne faire fonctionner l'équipement qu'avec les protections en place.
- Ne pas approcher les mains ou les pieds des pièces en mouvement.
- Attacher les cheveux longs et retirer les bijoux.
- Ne pas porter de vêtements amples, de ceintures larges pendantes ou tout vêtement pouvant être saisi.



### AVERTISSEMENT



Porter des lunettes de protection pour faire des réparations.

Le contact du gaz liquéfié sur la peau ou les yeux peut provoquer des engelures.



- L'installation, les réglages et les réparations doivent être effectués par un technicien qualifié.
- Vérifier régulièrement les Durits d'alimentation pour s'assurer qu'elles sont en bon état. Remplacer les composants endommagés ou présentant des fuites.



### AVERTISSEMENT



Un moteur en marche produit de la chaleur. Les pièces du moteur, et plus particulièrement le silencieux, deviennent extrêmement chaudes. Les toucher peut provoquer des brûlures sévères.



Les débris combustibles comme les feuilles, l'herbe, les broussailles peuvent s'enflammer.

- Laisser le silencieux, le cylindre du moteur et les ailettes refroidir avant de les toucher.
- Retirer les débris accumulés autour du silencieux et du cylindre.
- La Section 4442 du California Public Resource Code (Code des ressources publiques de Californie) interdit l'utilisation ou le fonctionnement du moteur dans des espaces recouverts de forêts, de broussailles ou d'herbe sauf si le système d'échappement est équipé d'un pare-étincelles, tel que défini dans la Section 4442, en bon état de fonctionnement. D'autres états ou juridictions fédérales peuvent appliquer des lois similaires. Contacter le fabricant, le distributeur ou le fournisseur d'origine de l'équipement pour obtenir un pare-étincelles conçu pour le système d'échappement installé sur ce moteur.



### AVERTISSEMENT



Un «détendeur» enlevé ou ne fonctionnant pas, peut provoquer une explosion ou un incendie.



- **Ne pas** faire fonctionner l'équipement si le «détendeur» a été enlevé ou ne fonctionne pas.



### AVERTISSEMENT



Une étincelle accidentelle peut provoquer un incendie ou un choc électrique.



Un démarrage accidentel peut causer un étranglement, l'amputation ou la lacération d'un membre.



Risque d'incendie

#### Avant d'effectuer des réglages ou des réparations

- Débrancher le fil de bougie et l'attacher à bonne distance de la bougie.
- Débrancher le câble Négatif de la batterie (seulement pour les moteurs à démarrage électrique).
- N'utiliser que les outils corrects.
- Ne pas modifier les ressorts du régulateur, les tringles et autres pièces pour augmenter le régime du moteur.
- Les pièces de rechange doivent être strictement identiques et être installées dans la même position que les pièces d'origine. Des pièces autres risquent de ne pas fonctionner aussi bien, d'endommager l'unité et d'entraîner des blessures.
- Ne pas taper sur le volant moteur avec un marteau ou un objet dur cela pourrait entraîner une rupture ultérieure du volant pendant que le moteur fonctionne.

#### Contrôle de l'étincelle

- Utiliser un contrôleur homologué.
- Ne pas contrôler l'étincelle avec la bougie retirée.

# Caractéristiques et commandes

Comparer l'illustration **1** avec le moteur pour se familiariser avec l'emplacement des différents composants et commandes.

## A. Identification du moteur

**Modèle Type Code**

- B. Bougie
- C. Filtre à air
- D. Jauge à huile
- E. Bouchon de vidange
- F. Protège-mains
- G. Filtre à huile
- H. Démarreur électrique
- I. Vidange d'huile rapide (en option)
- J. Refroidisseur d'huile

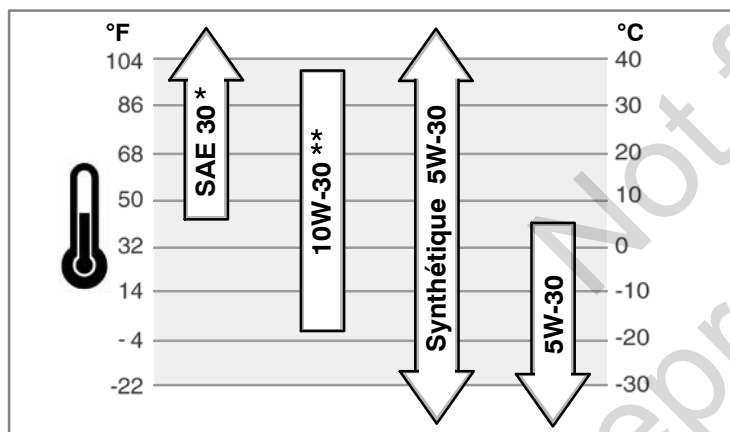
# Fonctionnement

Capacité d'huile (voir la section **Spécifications**)

## Recommandations concernant l'huile

Nous recommandons l'utilisation des huiles certifiées par la garantie Briggs & Stratton pour obtenir les meilleures performances. D'autres huiles détergentes sont acceptables si elles sont classées SF, SG, SH, SJ ou supérieures. Ne pas utiliser d'additifs pour huile.

La température extérieure détermine la viscosité de l'huile. Utiliser le tableau pour sélectionner la viscosité qui correspond à la gamme de température attendue.



\* L'emploi d'huile SAE 30 au-dessous de 4°C rend le démarrage difficile.

\*\* L'utilisation d'une huile 10W-30 à des températures supérieures à 27°C entraînera une consommation d'huile supérieure à la normale. Vérifier le niveau d'huile plus souvent.

## Vérification/Plein d'huile - Figure 2

### Avant de vérifier ou de faire le plein d'huile

- Mettre le moteur de niveau.
- Nettoyer le pourtour de l'orifice de remplissage de tout débris.
- 1. Sortir la jauge (A) et nettoyer avec un chiffon propre (Figure 2).
- 2. Mettre la jauge et la serrer.
- 3. Sortir la jauge et vérifier le niveau d'huile. Il doit se situer sur la marque FULL (B).
- 4. S'il est plus bas, verser doucement de l'huile dans l'orifice de remplissage du moteur (C). **Ne pas trop remplir.** Après avoir ajouté de l'huile, attendre une minute et revérifier le niveau d'huile.

*Remarque:* ne pas ajouter d'huile au niveau de la vidange d'huile rapide (L, Figure 1) (le cas échéant).

- 5. Remettre la jauge et la serrer.

## Pression d'huile

Si la pression de l'huile est trop basse, un contacteur de pression (le cas échéant) arrête le moteur ou active un dispositif sonore sur l'équipement. Dans ce cas, arrêter le moteur et vérifier le niveau d'huile avec la jauge.

Si le niveau d'huile est situé au-dessous du repère ADD, verser de l'huile jusqu'au repère FULL. Démarrer le moteur et vérifier que la pression est correcte avant de continuer.

Si le niveau d'huile est situé entre les repères ADD et FULL, **ne pas démarrer** le moteur. Contacter un Réparateur Agréé Briggs & Stratton pour corriger le problème de pression de l'huile.

## Recommandations concernant le carburant



### AVERTISSEMENT



Un «détendeur» enlevé ou ne fonctionnant pas, peut provoquer une explosion ou un incendie.



- **Ne pas** faire fonctionner l'équipement si le «détendeur» a été enlevé ou ne fonctionne pas.

### Le carburant doit répondre aux critères suivants:

- Utiliser un carburant récent, propre, sans humidité ni particules solides. Le fait d'utiliser des carburants qui ne correspondent pas aux spécifications requises peut entraîner des problèmes de performances.
- Pour les moteurs qui sont réglés pour fonctionner au GPL, la qualité recommandée est HD5 GPL. La composition recommandée pour ce carburant doit permettre de disposer d'une énergie minimale de 18Kcal/m<sup>3</sup>, d'une concentration maximale de propylène de 5%, de butane et de gaz lourd de 2,5% et d'une concentration minimale de propane de 90%.

Les moteurs NG et LPG sont certifiés pour fonctionner avec du gaz naturel ou du gaz propane liquéfié. Le système de contrôle des émissions pour ce moteur est EM (Modifications du moteur).

## Plein d'essence

Lire les instructions fournies par le constructeur de l'équipement sur le plein de gaz naturel ou de GPL.

## Démarrage du moteur



### AVERTISSEMENT



Le combustible et ses vapeurs sont extrêmement inflammables et explosifs.



Un incendie ou une explosion peut entraîner des blessures très graves ou même la mort.

### Pour démarrer le moteur

- S'assurer que la bougie, le bouchon du réservoir de carburant et le filtre à air sont le cas échéant montés et solidement fixés.
- Ne pas faire tourner le moteur avec la bougie enlevée.



### AVERTISSEMENT



Les moteurs produisent du monoxyde de carbone, qui est un gaz toxique inodore et invisible.

L'inhalation de monoxyde de carbone peut provoquer des nausées, un évanouissement et entraîner la mort.

- Démarrer et faire fonctionner le moteur à l'extérieur.
- Ne pas démarrer ou faire fonctionner le moteur dans un local fermé, même si les portes et les fenêtres sont ouvertes.

**AVIS:** Ce moteur a été expédié par Briggs & Stratton sans huile. Avant de le démarrer, s'assurer d'avoir fait le plein d'huile selon les instructions de ce manuel. Si le moteur est démarré sans huile, il sera endommagé irrémédiablement et ne sera pas couvert par la garantie.

1. Vérifier le niveau d'huile. Voir la section **Vérification/Plein d'huile**.
2. Voir le manuel de l'équipement pour la procédure de démarrage.

## Arrêt du moteur

Voir le manuel de l'équipement pour la procédure d'arrêt.

# Entretien

Nous recommandons de voir un Réparateur Agréé Briggs & Stratton pour tout l'entretien de votre moteur et l'acquisition de pièces.

**AVIS:** Tous les composants de ce moteur doivent rester à leur place d'origine pour que le moteur fonctionne correctement.

## Contrôle des émissions

L'entretien, le remplacement ou la réparation des dispositifs et des systèmes de contrôle des émissions gazeuses peut être effectué par tout établissement ou individu spécialisé dans la réparation des moteurs autres que les moteurs automobiles. Néanmoins, pour que les réparations soient prises en charge par Briggs & Stratton au titre de la garantie, l'intervention doit être effectuée par un Réparateur Agréé. Voir la garantie des émissions.



### AVERTISSEMENT



Une étincelle accidentelle peut provoquer un incendie ou un choc électrique.



Un démarrage accidentel peut causer un étranglement, l'amputation ou la lacération d'un membre.



Risque d'incendie

#### Avant d'effectuer des réglages ou des réparations :

- Débrancher le fil de bougie et l'attacher à bonne distance de la bougie.
- Débrancher le câble Négatif de la batterie (seulement pour les moteurs à démarrage électrique).
- N'utiliser que les outils corrects.
- Ne pas modifier les ressorts du régulateur, les tringles et autres pièces pour augmenter le régime du moteur.
- Les pièces de rechange doivent être strictement identiques et être installées dans la même position que les pièces d'origine. Des pièces autres risquent de ne pas fonctionner aussi bien, d'endommager l'unité et d'entraîner des blessures.
- Ne pas taper sur le volant moteur avec un marteau ou un objet dur cela pourrait entraîner une rupture ultérieure du volant pendant que le moteur fonctionne.

#### Contrôle de l'étincelle

- Utiliser un contrôleur homologué.
- Ne pas contrôler l'étincelle avec la bougie retirée.

## Tableau d'entretien

<b>Après les 5 premières heures</b>
<ul style="list-style-type: none"><li>• Vidanger l'huile</li></ul>
<b>Toutes les 8 heures ou chaque jour</b>
<ul style="list-style-type: none"><li>• Vérifier le niveau d'huile du moteur.</li></ul>
<b>Toutes les 50 heures ou une fois par an</b>
<ul style="list-style-type: none"><li>• Nettoyer le filtre à air *</li><li>• Vidanger l'huile moteur</li><li>• Remplacer le filtre à huile (le cas échéant)</li><li>• Vérifier le silencieux/pare-étincelles (le cas échéant)</li></ul>
<b>Toutes les 100 heures ou une fois par an</b>
<ul style="list-style-type: none"><li>• Remplacer le filtre à air</li><li>• Remplacer les bougies</li><li>• Nettoyer le système de refroidissement par air *</li><li>• Vérifier le jeu de la soupape. Ajuster si besoin.</li></ul>
<b>Une fois par an</b>
<ul style="list-style-type: none"><li>• Remplacer le filtre à air</li><li>• Remplacer les bougies</li><li>• Nettoyer le système de refroidissement par air *</li></ul>

\* Nettoyer plus souvent dans des conditions d'utilisation en atmosphère poussiéreuse ou chargée de débris aériens.

## Remplacement de la bougie - Figure 3

Vérifier l'écartement des électrodes (A, Figure 3) avec une jauge à fil (B). Le cas échéant, régler l'écartement. Remettre la bougie et la serrer au couple recommandé. Pour régler l'écartement et trouver le couple de serrage, voir la section **Spécifications**.

*Remarque:* Dans certains pays, la législation impose l'emploi de bougies à résistance pour supprimer les parasites de l'allumage. Si ce moteur était équipé d'une bougie avec résistance, utiliser le même type de bougie lors de son remplacement.

## Inspecter le silencieux et le pare-étincelles



### AVERTISSEMENT



Un moteur en marche produit de la chaleur. Les pièces du moteur, et plus particulièrement le silencieux, deviennent extrêmement chaudes.



Les toucher peut provoquer des brûlures sévères.



Les débris combustibles comme les feuilles, l'herbe, les broussailles peuvent s'enflammer.

- Laisser le silencieux, le cylindre du moteur et les ailettes refroidir avant de les toucher.
- Retirer les débris accumulés autour du silencieux et du cylindre.
- La Section 4442 du California Public Resource Code (Code des ressources publiques de Californie) interdit l'utilisation ou le fonctionnement du moteur dans des espaces recouverts de forêts, de broussailles ou d'herbe sauf si le système d'échappement est équipé d'un pare-étincelles, tel que défini dans la Section 4442, en bon état de fonctionnement. D'autres états ou juridictions fédérales peuvent appliquer des lois similaires. Contacter le fabricant, le distributeur ou le fournisseur d'origine de l'équipement pour obtenir un pare-étincelles conçu pour le système d'échappement installé sur ce moteur.

Les pièces du système d'échappement sont installées par le fabricant de l'équipement. Pour obtenir des informations spécifiques à la maintenance et au remplacement, contacter le fabricant.

Retirer les débris accumulés autour du silencieux et du cylindre. Inspecter le silencieux à la recherche de fissures, de corrosion ou autre dommage. Enlever le pare-étincelles, le cas échéant, et inspecter s'il est endommagé ou obstrué par des dépôts de carbone. En présence de pièces endommagées, les remplacer avant toute utilisation.



**AVERTISSEMENT:** Les pièces de rechange doivent être strictement identiques et être installées dans la même position que les pièces d'origine. Des pièces autres risquent de ne pas fonctionner aussi bien, d'endommager l'unité et d'entraîner des blessures.

## Changement d'huile - Figure 4 5

L'huile usagée est un produit dangereux. S'en débarrasser correctement. Ne pas la jeter avec les ordures ménagères. Vérifier le lieu de collecte/ou de recyclage avec les autorités locales, le centre de services ou le vendeur.

### Vidange de l'huile

1. Quand le moteur est arrêté mais encore chaud, débrancher le fil de bougie (A) et l'éloigner de la bougie (Figure 4).
2. Retirer la jauge (D).

#### Bouchon de vidange standard

1. Retirer le bouchon de vidange d'huile (B). Vidanger l'huile du moteur dans un récipient approuvé.

*Remarque:* chacun des bouchons de vidange illustrés ci-après peut être monté sur ce moteur.



2. Quand l'huile a été vidangée, remettre le bouchon de vidange. Le serrer.

#### Vidange d'huile rapide optionnelle

1. Dévisser et retirer le bouchon de vidange (H). Abaisser soigneusement la vidange rapide (I) dans un conteneur homologué (J).
2. Quand toute l'huile a été vidangée, remettre le bouchon de vidange.

## Changer le filtre à huile (le cas échéant)

Pour connaître les intervalles de maintenance, se reporter au **Tableau d'entretien**.

1. Vidanger l'huile du moteur. Voir la section **Vidange de l'huile**.
2. Enlever le filtre à huile (C) et le jeter correctement. Voir Figure 5.
3. Avant d'installer le nouveau filtre à huile, lubrifier légèrement le joint du filtre avec de l'huile neuve.
4. Installer le filtre à huile à la main jusqu'à ce que le joint soit au contact de l'adaptateur du filtre puis visser le filtre de 1/2 à 3/4 tours.
5. Ajouter de l'huile. Voir la section **Faire le plein d'huile**.
6. Démarrer puis faire tourner le moteur. Lorsque le moteur chauffe, détecter les éventuelles fuites d'huile.
7. Arrêter le moteur et vérifier le niveau d'huile. Il doit être sur FULL sur la jauge.

## Faire le plein d'huile

- Mettre le moteur de niveau.
  - Nettoyer le pourtour de l'orifice de remplissage de tout débris.
  - Voir la capacité en huile dans la section **Spécifications**.
1. Sortir la jauge (D) et nettoyer avec un chiffon propre (Figure 4).
  2. Verser doucement l'huile dans l'orifice de remplissage (E). **Ne pas trop remplir.** Après avoir fait le plein d'huile, attendre une minute et vérifier le niveau d'huile.
  3. Installer et serrer la jauge.
  4. Sortir la jauge et vérifier le niveau d'huile. Il doit se situer sur FULL (F).
  5. Installer et serrer la jauge.

## Entretien du filtre à air - Figure 6



### AVERTISSEMENT



**Le combustible et ses vapeurs sont extrêmement inflammables et explosifs.**



**Un incendie ou une explosion peut entraîner des blessures très graves ou même la mort.**

- Ne pas démarrer ou faire fonctionner un moteur sans filtre à air ou avec le filtre à air enlevé (le cas échéant).

**AVIS:** Ne pas utiliser d'air comprimé ni de solvant pour nettoyer le filtre à air. L'air comprimé peut endommager le filtre, les solvants le dissoudre.

1. Déposer le couvercle (A, Figure 6).
2. Pour déposer le filtre (B), soulever son extrémité.
3. Pour le nettoyer, le tapoter doucement contre une surface dure. Si le filtre est excessivement encrassé, le remplacer par un neuf.
4. Installer le filtre sur l'embase du moteur (C) et l'enfoncer jusqu'à ce qu'il soit bien en place.
5. Installer le couvercle.

## Nettoyage du système de refroidissement par air - Figure 7



### AVERTISSEMENT



**Un moteur en marche produit de la chaleur. Les pièces du moteur, et plus particulièrement le silencieux, deviennent extrêmement chaudes.**



**Les débris combustibles comme les feuilles, l'herbe, les broussailles peuvent s'enflammer.**

- Laisser le silencieux, le cylindre du moteur et les ailettes refroidir avant de les toucher.
- Retirer les débris accumulés autour du silencieux et du cylindre.

**AVIS:** Ne pas utiliser d'eau pour nettoyer le moteur. L'eau peut contaminer le système d'alimentation en essence. Utiliser une brosse ou un chiffon sec pour nettoyer le moteur. Ce moteur est refroidi par air. De la poussière ou des débris peuvent affecter le débit d'air et faire chauffer le moteur, ce qui réduit ses performances et sa durée de vie. Utiliser une brosse ou un chiffon sec pour enlever les débris du protège-doigts/grille de volant (A). Nettoyer les biellettes, les ressorts et les commandes (B). Ne pas laisser les débris combustibles s'accumuler autour et derrière le silencieux d'échappement (Figure 7). Vérifier que les ailettes du refroidisseur d'huile (C) sont exemptes de saletés et de débris.

## Stockage



### AVERTISSEMENT



**Le combustible et ses vapeurs sont extrêmement inflammables et explosifs.**



**Un incendie ou une explosion peut entraîner des blessures très graves ou même la mort.**

#### Pour stocker du carburant ou l'équipement avec un réservoir plein

- Les ranger loin des chaudières, cuisinières, chauffe-eau ou tout autre appareil comportant une veilleuse ou une source susceptible de produire une étincelle, car ils pourraient enflammer les vapeurs de carburant.

## Huile moteur

Pendant que le moteur est encore chaud, changer l'huile du moteur. Voir la section **Changement d'huile**.

## Dépannage

Besoin d'aide? Aller sur [BRIGGSandSTRATTON.COM](http://BRIGGSandSTRATTON.COM) ou appeler au 1-800-233-3723.

## Spécifications

### Spécifications du moteur

Modèle	490000
Cylindrée	49,42 ci (810 cm <sup>3</sup> )
Alésage	3,300 in (83,81 mm)
Course	2,890 in (73,41 mm)
Capacité d'huile	62 - 64 oz (1,8 - 1,9 l)

### Spécifications de réglage \*

Modèle	490000
Écartement des électrodes	0,020 in (0,51 mm)
Couple de serrage de la bougie	180 lb-in (20 Nm)
Entrefer bobine	0,008 - 0,012 in (0,20 - 0,30 mm)
Jeu de soupape d'admission	0,004 - 0,006 in (0,10 - 0,15 mm)
Jeu de soupape d'échappement	0,009 - 0,011 in (0,23 - 0,28 mm)

\* La puissance du moteur décroît de 3,5% par 300 mètres d'altitude au-dessus du niveau de la mer et de 1% par 5,6° C au-delà de 25° C. Le moteur fonctionne normalement jusqu'à 15° d'inclinaison. Voir le manuel d'utilisation de l'équipement pour les limites autorisées de fonctionnement en pente.

### Pièces d'entretien courant

Pièce d'entretien	Référence
Filtre à air ovale	798748
Huile - SAE 5W-30	100074
Filtre à huile	492932
Bougie à résistance	692051
Bougie en platine longue durée	5066
Clé à bougie	19374
Éclateur	19368

➤ Nous recommandons de confier tout l'entretien du moteur et de ses pièces à un Réparateur Agréé Briggs & Stratton.

## GARANTIE LIMITÉE

Briggs & Stratton remplacera ou réparera gratuitement toute(s) pièce(s) du moteur présentant un défaut de matière ou de fabrication ou les deux. Tous les frais de transport du produit destiné à être remplacé ou réparé au titre de la présente garantie restent à charge de l'acheteur. Cette garantie est applicable pendant la période et aux conditions prévues dans le présent document. Pour toute intervention sous garantie, cherchez le Réparateur Agréé Briggs & Stratton le plus proche dans la liste des Réparateurs sur notre site Internet BRIGGSandSTRATTON.COM ou en consultant les Pages Jaunes.

**Il n'existe aucune autre garantie expresse. Les garanties implicites, y compris celles de la valeur marchande et d'adaptation à un objectif particulier, sont limitées à un an à partir de la date d'achat ou à la période légale admise. Toute autre garantie implicite est exclue. Notre responsabilité pour les dégâts provoqués par l'équipement ou les dommages-intérêts accessoires est exclue dans la limite des exclusions autorisées par la loi.** Certains pays ou États n'autorisent pas la limitation de la durée de la garantie implicite et certains pays ou États n'autorisent pas l'exclusion ou la limitation des dégâts provoqués ou consécutifs à un accident, ce qui fait que les limitation et exclusion ci-dessus peuvent ne pas s'appliquer à vous. Cette garantie vous donne des droits légaux et vous pouvez bénéficier d'autres droits qui peuvent varier d'un pays à l'autre ou d'un État à l'autre.

## CONDITIONS DE GARANTIE STANDARD \* ▲

Marque/Type de produit	Usage privé	Usage professionnel
Vanguard™ ■	3 ans	3 ans
Extended Life Series™ ; I/C®; Intek™ I/C®; Intek™ Pro; Commercial Turf Series™ Professional Series™ avec chemise en fonte Dura-Bore™ ; 850 Series™ avec chemise en fonte Dura-Bore™ ; Snow Series MAX™ avec chemise en fonte Dura-Bore™ Tous les autres moteurs Briggs & Stratton avec chemise en fonte Dura-Bore™	2 ans	1 an
Tous les autres moteurs Briggs & Stratton	2 ans	90 jours

\* Ces conditions sont nos conditions de garantie standard. Néanmoins, dans certains cas, nos produits peuvent bénéficier d'une couverture supplémentaire qui n'était pas déterminée au moment de la publication. Pour consulter les conditions de garantie actuelles de votre moteur, rendez-vous sur BRIGGSandSTRATTON.COM ou contactez le Réparateur Agréé Briggs & Stratton.

▲ Groupes électrogènes stationnaires: 2ans de garantie en usage privé. Pas de garantie en usage professionnel. Les équipements utilisés pour une alimentation principale en remplacement du réseau public d'électricité ne sont pas couverts par la présente garantie. **Les moteurs utilisés en compétition ou avec un but d'exploitation commerciale ou de location ne sont pas garantis.**

■ Vanguard installés sur les groupes électrogènes stationnaires: 2ans de garantie en usage privé, pas de garantie en usage professionnel. Vanguard installés sur des véhicules utilitaires: 2ans de garantie en usage privé, 2ans de garantie en usage professionnel. Vanguard 3cylindres refroidis à eau: consulter l'application de la garantie sur les moteurs Briggs & Stratton 3/LC.

La période de garantie débute à la date d'achat par l'acheteur particulier initial ou l'utilisateur professionnel final et continue pendant la période indiquée dans le tableau ci-dessus. «Usage privé» signifie utilisation pour l'entretien de sa résidence personnelle par un acheteur particulier. «Usage commercial» couvre toutes les autres utilisations, y compris dans un but commercial, de rentabilité ou de location. Dès qu'un moteur a servi à un usage commercial, il sera considéré comme moteur à usage commercial dans le cadre de la présente garantie.

**Pour tous les équipements fabriqués par Briggs & Stratton, l'enregistrement de la garantie n'est pas obligatoire pour qu'elle prenne effet. Conservez le reçu comme preuve d'achat. Si, lors d'une demande d'intervention sous garantie, la date initiale d'achat ne peut être fournie, la date de fabrication du produit sert de référence pour déterminer la période de garantie.**

## Au sujet de la garantie

Briggs & Stratton se fera un plaisir d'effectuer une réparation en garantie tout en déplorant les inconvénients qu'elle peut vous occasionner. Tout Réparateur Agréé peut effectuer des réparations en garantie. La plupart des réparations en garantie sont effectuées sans discussion mais il peut arriver que la demande de réparation en garantie soit injustifiée.

Si le client n'est pas d'accord avec la décision d'un Réparateur Agréé, une enquête sera effectuée afin de déterminer si la garantie peut être appliquée. Demandez au Réparateur Agréé de soumettre tous les faits au Grossiste ou à l'usine pour examen. Si le Grossiste ou l'usine décide que la demande est justifiée, les articles reconnus défectueux seront intégralement remboursés au client. Afin d'éviter tout malentendu entre les propriétaires de moteurs et les Réparateurs Agréés Briggs & Stratton, nous indiquons ci-après quelques-unes des causes de défaillance des moteurs pour lesquelles le remplacement ou la réparation n'est pas couvert par la garantie.

**Usure normale:** Les moteurs, comme tous les dispositifs mécanisés, nécessitent un entretien régulier et le remplacement des pièces d'usure pour fonctionner correctement. Cette garantie ne couvre pas la réparation de pièces ou d'équipements usés par un usage normal. La garantie ne s'applique pas quand la défaillance du moteur est due à un abus, un manque d'entretien courant, l'expédition, la manutention, l'entreposage ou une mauvaise installation. Il en va de même si le numéro de série du moteur a été éliminé ou que le moteur a été modifié ou trafiqué.

**Entretien inadéquat:** La longévité d'un moteur dépend des conditions dans lesquelles il est utilisé et de l'entretien qu'il reçoit. Certaines applications, comme les motoculteurs, les pompes et les tondeuses, sont souvent utilisées dans un environnement poussiéreux ou sale, ce qui peut être la cause d'une usure pouvant paraître prématurée. Une telle usure, lorsqu'elle est consécutive à l'entrée de poussière, sable ou autre produit abrasif à cause d'un mauvais entretien, n'est pas couverte par la garantie.

**Cette garantie couvre uniquement les pièces défectueuses et/ou la main-d'œuvre et pas le remplacement ou le remboursement de l'équipement sur lequel est monté le moteur. La garantie ne s'applique pas non plus aux réparations dues à:**

1 Des problèmes provoqués par l'emploi de pièces non d'origine Briggs & Stratton.

2 Les commandes de l'équipement ou les dispositifs qui empêchent le démarrage, perturbent le fonctionnement du moteur ou abrègent sa durée de vie. (Contactez le fabricant de l'équipement.)

3 Les fuites de carburateur, l'obstruction des Durits d'alimentation, le gommage des soupapes ou autres dommages provoqués par une essence souillée ou trop vieille.

4 Les pièces qui seraient rayées ou cassées du fait du fonctionnement du moteur avec un manque d'huile ou d'une huile polluée, ou encore d'un indice de viscosité de l'huile inadéquat (vérifier et refaire le niveau quand c'est nécessaire et vidanger aux périodes recommandées). Le dispositif OIL GARD peut ne pas couper un moteur en marche. Le moteur peut être endommagé si le niveau d'huile n'est pas maintenu régulièrement.

5 La réparation ou le réglage de pièces ou d'un groupe de pièces associées tels que les embrayages, transmissions, commandes à distance, etc., qui ne sont pas fabriqués par Briggs & Stratton.

6 Les dommages ou l'usure de pièces provoqués par la pénétration de poussière due au manque d'entretien ou au mauvais montage du filtre à air ou à l'emploi d'un élément ou d'une cartouche de filtre à air non d'origine. Aux intervalles recommandés, nettoyer et/ou remplacer le filtre comme indiqué dans le manuel d'utilisation.

7 Les pièces endommagées suite à un surrégime ou une surchauffe provoqués par l'obstruction des ailettes de refroidissement et de la zone du volant par des débris d'herbe ou de la poussière ou par l'utilisation du moteur dans un local fermé insuffisamment ventilé. Nettoyer les débris aux intervalles recommandés comme indiqué dans le manuel d'utilisation.

8 Le bris de pièces du moteur ou de l'équipement dû à des vibrations excessives résultant d'un serrage insuffisant des boulons de fixation du moteur, d'une lame ou d'une turbine desserrée ou mal équilibrée, d'une mauvaise adaptation de l'équipement sur le vilebrequin du moteur, d'un surrégime ou d'une mauvaise utilisation.

9 Vilebrequin faussé ou cassé suite au choc de la lame d'une tondeuse rotative sur un corps dur, ou d'une courroie trapézoïdale trop tendue.

10 Réglage ou mise au point normale du moteur.

**Les interventions sous garantie ne sont effectuées que par les Réparateurs Agréés par Briggs & Stratton Corporation. Recherchez-les dans la liste des Réparateurs sur notre site Internet BRIGGSandSTRATTON.COM ou en consultant les Pages Jaunes.**

## Déclaration de garantie du système de contrôle des émissions de l'État de Californie, de l'U.S. EPA et de Briggs & Stratton Corporation Droits et obligations du propriétaire au titre de la garantie

Le California Air Resources Board (CARB), l'U.S. EPA et Briggs & Stratton (B&S) ont le plaisir de vous expliquer la garantie du système de contrôle des émissions pour votre moteur/équipement fabriqué 2011-2012. En Californie, les petits moteurs à usage non routier et les gros moteurs à explosion d'un litre ou moins, neufs, doivent être conçus, fabriqués et équipés pour répondre aux normes sévères anti-effet de serre de l'État. B&S doit garantir le système de contrôle des émissions de votre moteur/équipement pendant les durées indiquées ci-après, en supposant que le moteur ou l'équipement n'ait pas fait l'objet d'abus, de négligence ou d'un mauvais entretien.

Le système de contrôle des émissions peut comprendre des pièces comme le carburateur ou le système d'injection de carburant, le réservoir de carburant, le système d'allumage et le convertisseur catalytique. Des durites, des courroies, des connecteurs, des capteurs et d'autres assemblages impliqués dans les émissions peuvent aussi en faire partie.

Si la condition de garantie est remplie, B&S réparera gratuitement votre moteur/équipement y compris le diagnostic, les pièces et la main-d'œuvre.

### Couverture de la garantie du fabricant:

Les petits moteurs à usage non routier et les gros moteurs à explosion d'un litre ou moins sont garantis pendant une période de deux (2) ans. Si une pièce liée aux émissions de votre moteur/équipement est défectueuse, Briggs & Stratton la réparera ou la remplacera.

### Dispositions de la garantie du système de contrôle des émissions de Briggs & Stratton

Suivent les dispositions particulières de la couverture de la garantie du système de contrôle des émissions. Elles viennent en complément de la garantie des moteurs B&S pour les moteurs non réglementés qui se trouve dans le manuel d'utilisation.

#### 1. Pièces relatives au contrôle des émissions garanties

La couverture au titre de cette garantie ne s'étend qu'aux pièces énumérées ci-dessous (celles du système de contrôle des émissions) dans la mesure où ces pièces étaient présentes dans le moteur au moment de l'achat.

##### a. Système de dosage du carburant

- Système d'enrichissement pour démarrages à froid (starter)
- Carburateur et pièces internes
- Pompe à carburant
- Durit et raccords de carburant, colliers
- Réservoir de carburant, bouchon et câble d'attache
- Réservoir à charbon activé

##### b. Système d'admission d'air

- Filtre à air
- Collecteur d'admission
- Conduite de vidange et de mise à l'air

##### c. Système d'allumage

- Bougie(s)
- Système d'allumage par volant magnétique

##### d. Système catalytique

- Convertisseur catalytique
- Collecteur d'échappement
- Système d'injection d'air ou soupape d'impulsion

##### e. Pièces diverses utilisées dans les systèmes ci-dessus

- Soupapes et contacteurs de dépression, de température, de position et de durée
- Raccords et assemblages

#### 2. Durée de la couverture

Pendant une période de deux (2) ans à compter de la date de l'achat initial, B&S garantit à l'acheteur initial et à chaque acheteur suivant que le moteur est conçu, fabriqué et équipé de manière à être en conformité avec toutes les réglementations applicables adoptées par l'Air Resources Board, qu'il est exempt de tout défaut de matière ou de construction susceptible d'entraîner la défaillance d'une pièce garantie et qu'il est matériellement identique en tous points au moteur décrit dans la demande de certification du fabricant. La période de garantie démarre à la date de l'achat initial du moteur.

### Responsabilités du propriétaire au titre de la garantie:

- En tant que propriétaire d'un moteur/équipement, vous êtes responsable de l'entretien nécessaire indiqué dans le manuel d'utilisation. B&S recommande de conserver toutes les factures de maintenance de votre moteur/équipement mais B&S ne peut renier la garantie uniquement à cause de l'absence de factures ou parce que tous les entretiens n'ont pas été effectués en temps prévu.
- En tant que propriétaire d'un moteur/équipement, vous devez néanmoins savoir que B&S peut refuser d'appliquer la garantie si la défectuosité de votre moteur/équipement ou d'une partie de celui-ci est due à un abus, une négligence, un entretien non correct ou des modifications non approuvées.
- Vous avez la responsabilité de confier votre moteur/équipement à un centre de distribution, un Réparateur Agréé ou toute entité équivalente de B&S, selon la solution applicable, dès que le problème apparaît. Les réparations effectuées sous garantie doivent l'être en un temps raisonnable qui ne doit pas excéder trente (30) jours. Si vous avez des questions concernant vos droits et vos responsabilités au titre de la garantie, contactez B&S au (414) 259-5262.

La garantie sur les pièces liées aux émissions est comme suit:

- Toute pièce garantie dont le remplacement n'est pas prévu dans le cadre de la maintenance obligatoire indiquée dans le manuel d'utilisation fourni est garantie pendant la période susmentionnée. Si cette pièce se révélait être défectueuse au cours de la période de garantie, elle serait réparée ou remplacée par B&S sans aucun frais pour le propriétaire. La pièce ainsi réparée ou remplacée sera garantie pour la période restante.
- Toute pièce garantie dont seule une inspection régulière est prévue dans le manuel d'utilisation fourni est garantie pendant la période susmentionnée. La pièce réparée ou remplacée dans le cadre de la garantie sera garantie pour la période restante.
- Toute pièce garantie dont le remplacement est prévu dans le cadre de la maintenance obligatoire indiquée dans le manuel d'utilisation fourni est garantie pendant la période précédant le premier remplacement prévu de cette pièce. Si cette pièce se révélait être défectueuse avant le premier remplacement prévu, elle serait réparée ou remplacée par B&S sans aucun frais pour le propriétaire. La pièce ainsi réparée ou remplacée sera garantie pour la période restante précédant le premier remplacement prévu de ladite pièce.
- Les pièces ajoutées ou modifiées qui ne sont pas exemptées par l'Air Resources Board ne peuvent être utilisées. L'utilisation par le propriétaire de pièces ajoutées ou modifiées non exemptées sera un motif de rejet de toute réclamation. Le fabricant ne peut en aucun cas être tenu de garantir les défaillances de pièces garanties dues à l'utilisation de pièces non exemptées ajoutées ou modifiées.

#### 3. Couverture des conséquences

La présente couverture s'étend à la défaillance de tout composant du moteur due à la défaillance d'une pièce liée aux émissions garantie.

#### 4. Réclamations et exclusions de garantie

Les réclamations sous garantie seront présentées selon les dispositions de la police de garantie des moteurs de B&S. La garantie ne couvre pas les défaillances de pièces liées aux émissions qui ne sont pas des pièces B&S d'origine ou les défaillances de pièces qui ont fait l'objet d'abus, de négligence ou d'un mauvais entretien ainsi qu'indiqué dans la police de garantie des moteurs de B&S. B&S n'est pas tenu de couvrir la garantie des défaillances des pièces liées aux émissions dues à l'utilisation de pièces rajoutées ou modifiées.

### Consultez les informations sur la période de durabilité des émissions et l'indice d'air sur l'étiquette d'émissions du petit moteur à usage non routier

Les moteurs qui sont certifiés conformes à la norme d'émissions relatives aux petits moteurs à usage non routier du California Air Resources Board (CARB) doivent afficher l'information concernant la période de durabilité des émissions et l'indice d'air. Cette information est indiquée sur les étiquettes apposées sur les moteurs par Briggs & Stratton. L'étiquette du moteur indique les informations de certification.

La **période de durabilité des émissions** indique le nombre d'heures d'utilisation normale pour lequel le moteur est certifié conforme aux normes d'émissions sous réserve d'un entretien approprié tel qu'indiqué dans le manuel d'utilisation et d'entretien. Les catégories suivantes sont utilisées:

#### Modéré:

le moteur est certifié conforme pour 125 heures d'utilisation normale.

#### Intermédiaire:

le moteur est certifié conforme pour 250 heures d'utilisation normale.

#### Étendu:

le moteur est certifié conforme pour 500 heures d'utilisation normale. Par exemple, une tondeuse à conducteur marchant classique est utilisée 20 à 25 heures par an. Par conséquent, la **période de durabilité des émissions** d'un moteur de catégorie **intermédiaire** équivaudrait à une douzaine d'années.

Les moteurs Briggs & Stratton sont certifiés conformes aux normes environnementales d'émissions de la United States Environmental Protection Agency (U.S. EPA) Phase 2. Pour les moteurs certifiés Phase 2, la période de conformité d'émissions mentionnée sur les étiquettes indique le nombre d'heures d'utilisation pour lequel le moteur est en conformité avec les normes fédérales.

Pour les moteurs de cylindrée inférieure à 225cm<sup>3</sup>.

Catégorie C = 125heures, catégorie B = 250heures et catégorie A = 500heures.

Pour les moteurs de plus de 225 cm<sup>3</sup>.

Catégorie C = 250 heures, catégorie B = 500 heures et catégorie A = 1000 heures.



**THE POWER WITHIN™**

Not for  
Reproduction