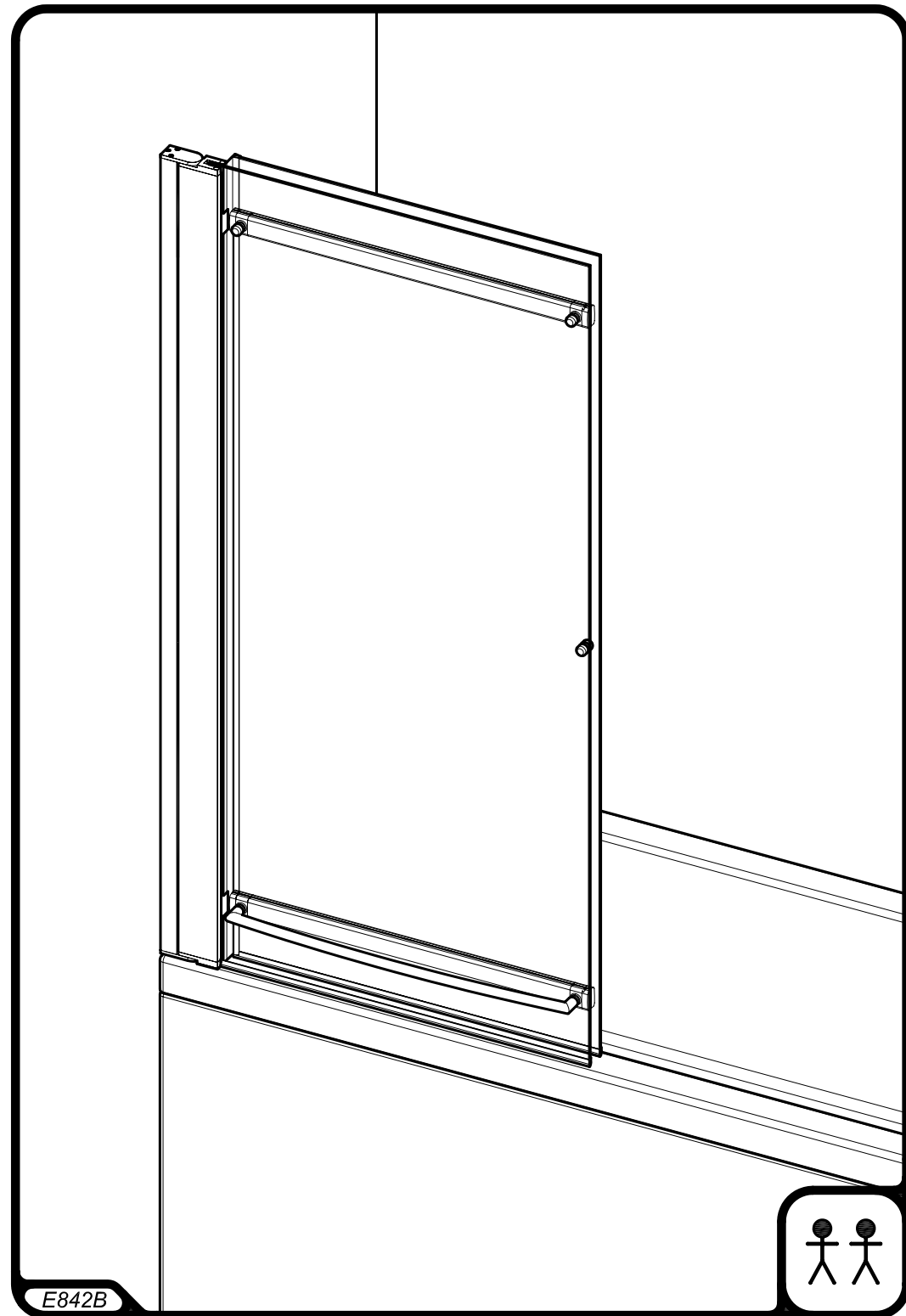


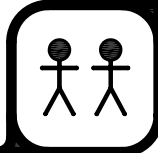
JACUZZI FRANCE
8, Route de Paris
BP 70203
03305 CUSSET CEDEX

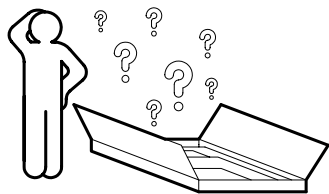
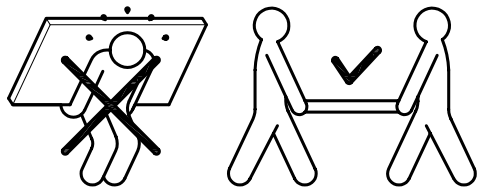
10

EN 14428+A1



E842B



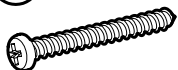


13



24H.

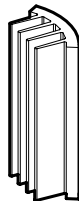
A x3



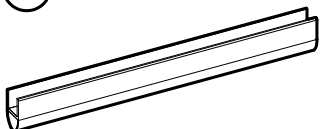
B x3



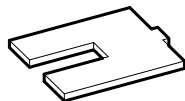
C x1



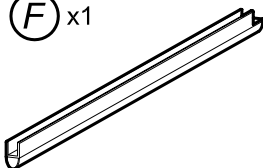
D x1



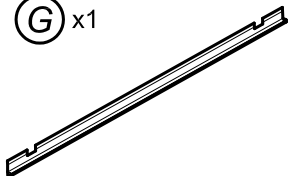
E x1



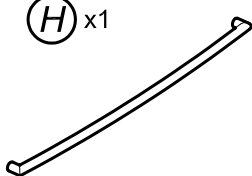
F x1



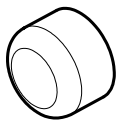
G x1



H x1



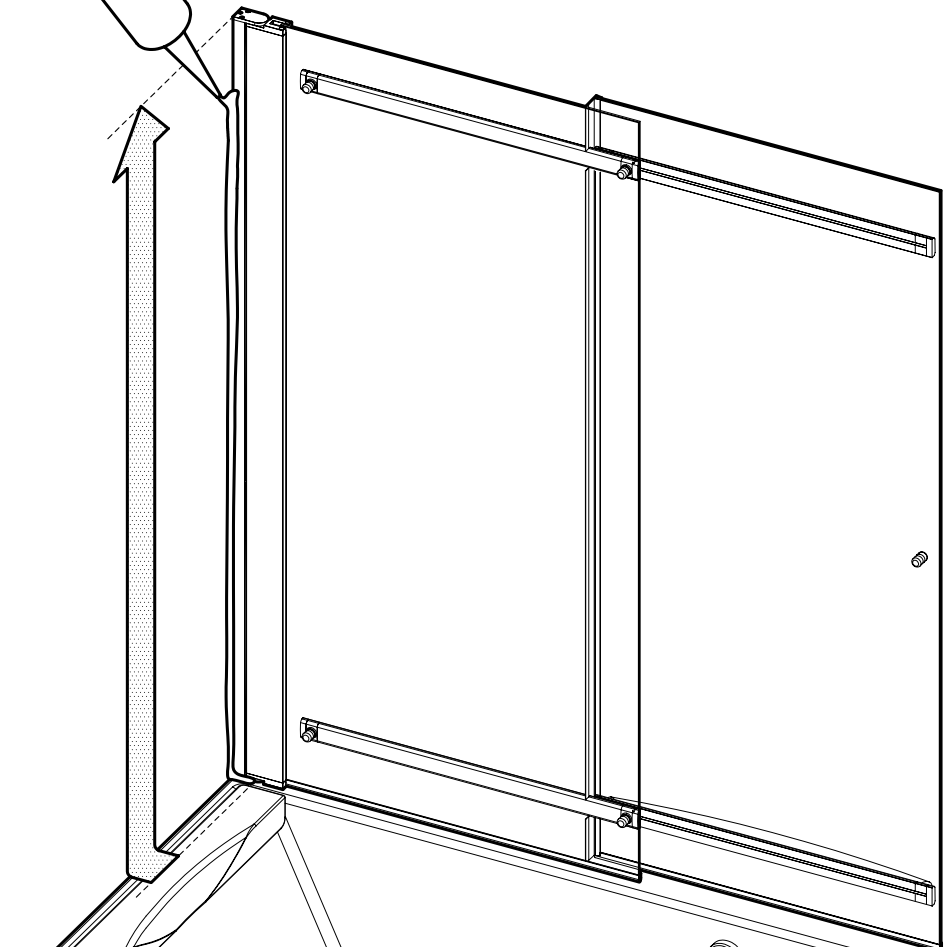
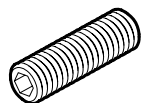
I x6



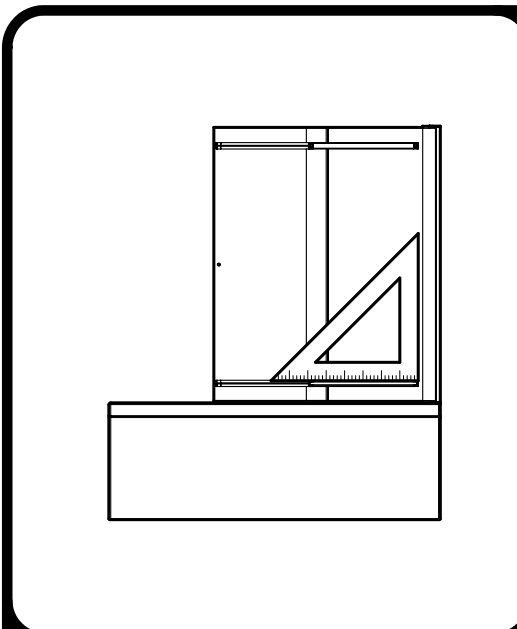
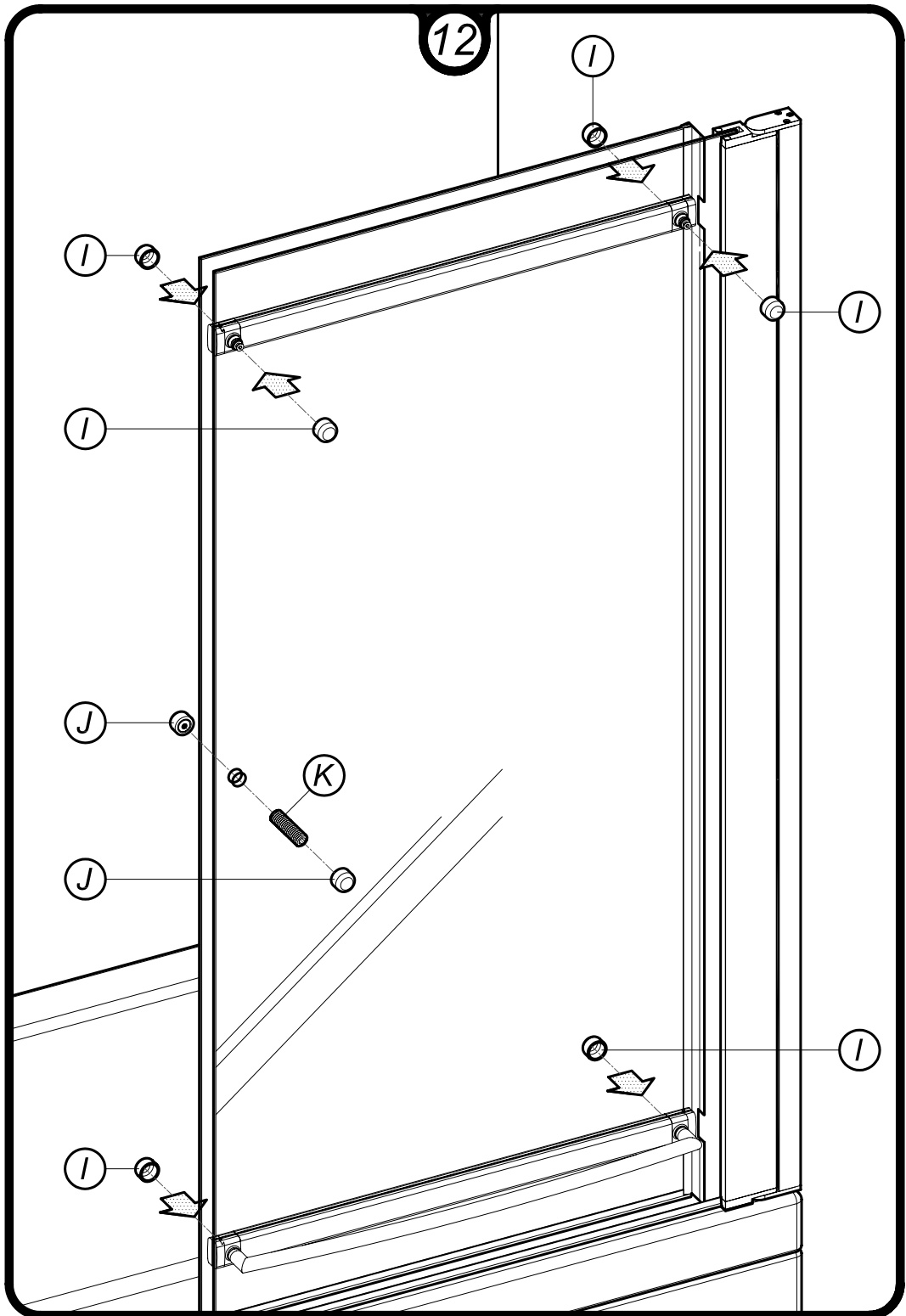
J x2



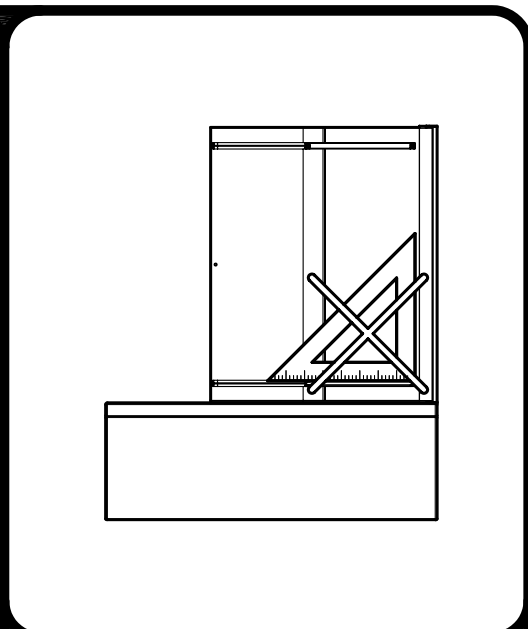
K x1



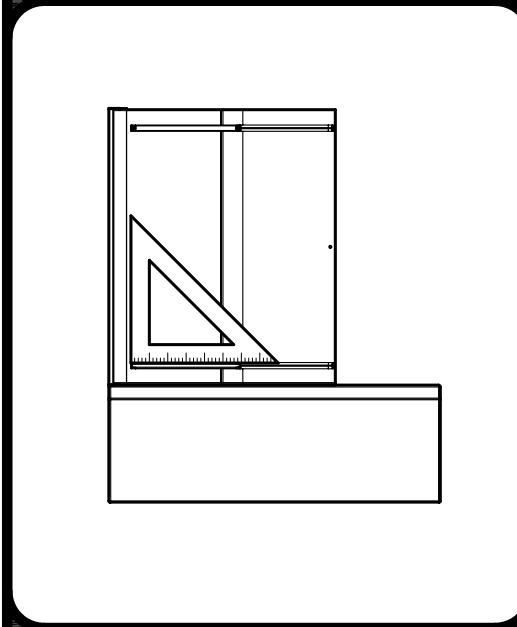
SILICONE



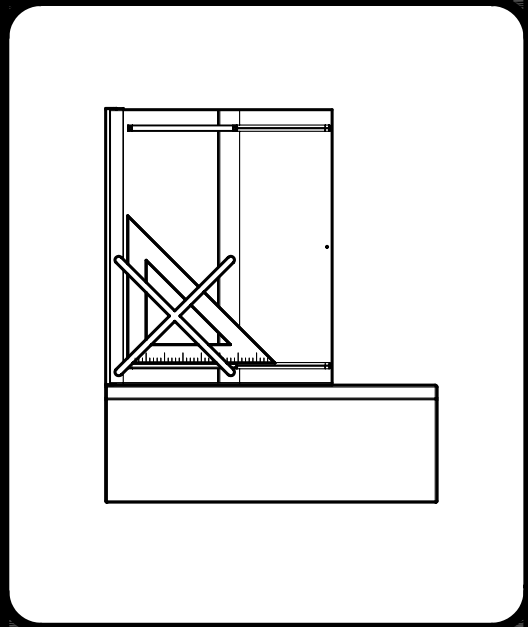
Navigation icons: left arrow, right arrow, and a sequence of 13 numbered circles (1-13). Circles 8, 9, 10, 11, and 12 are shaded.



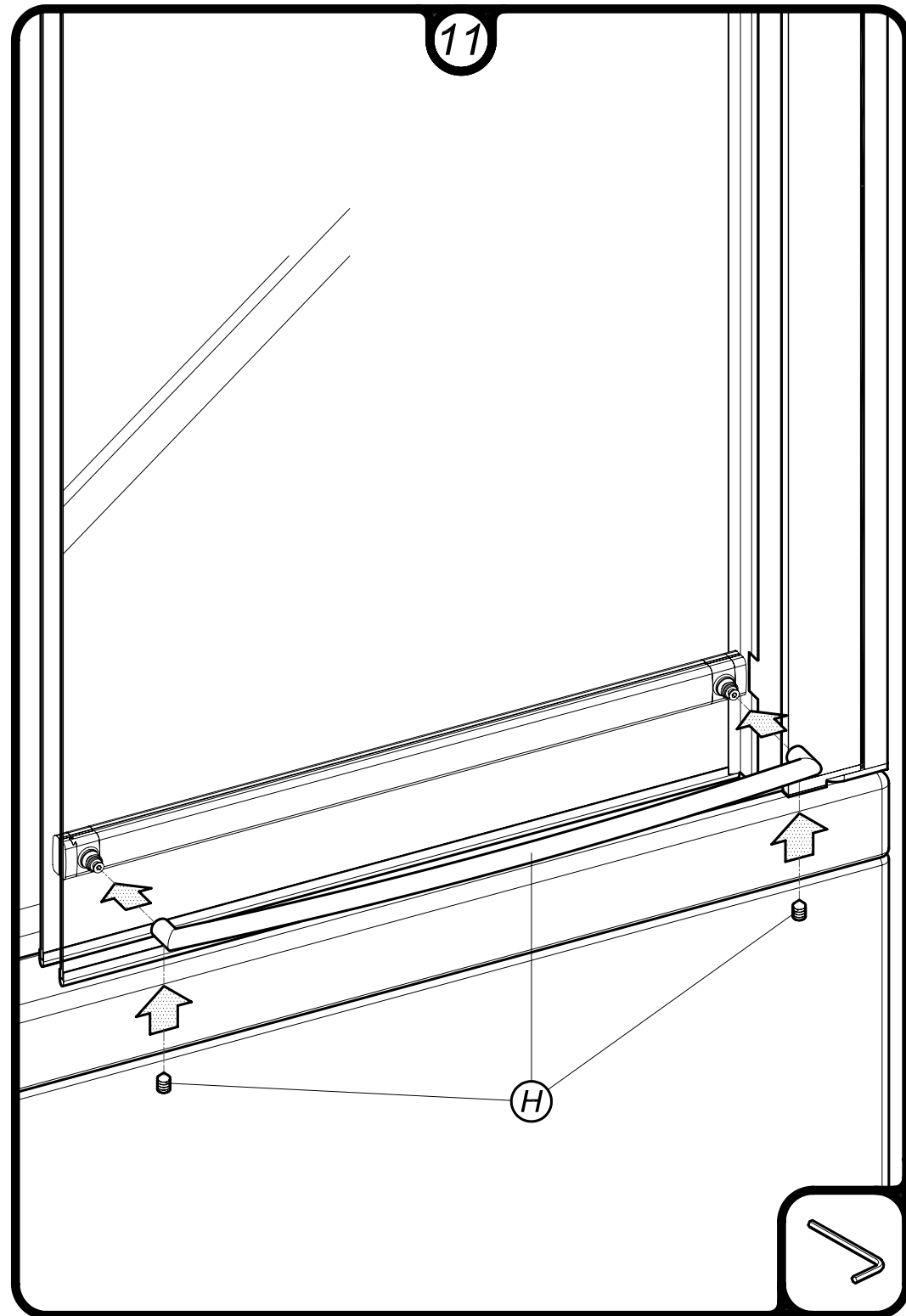
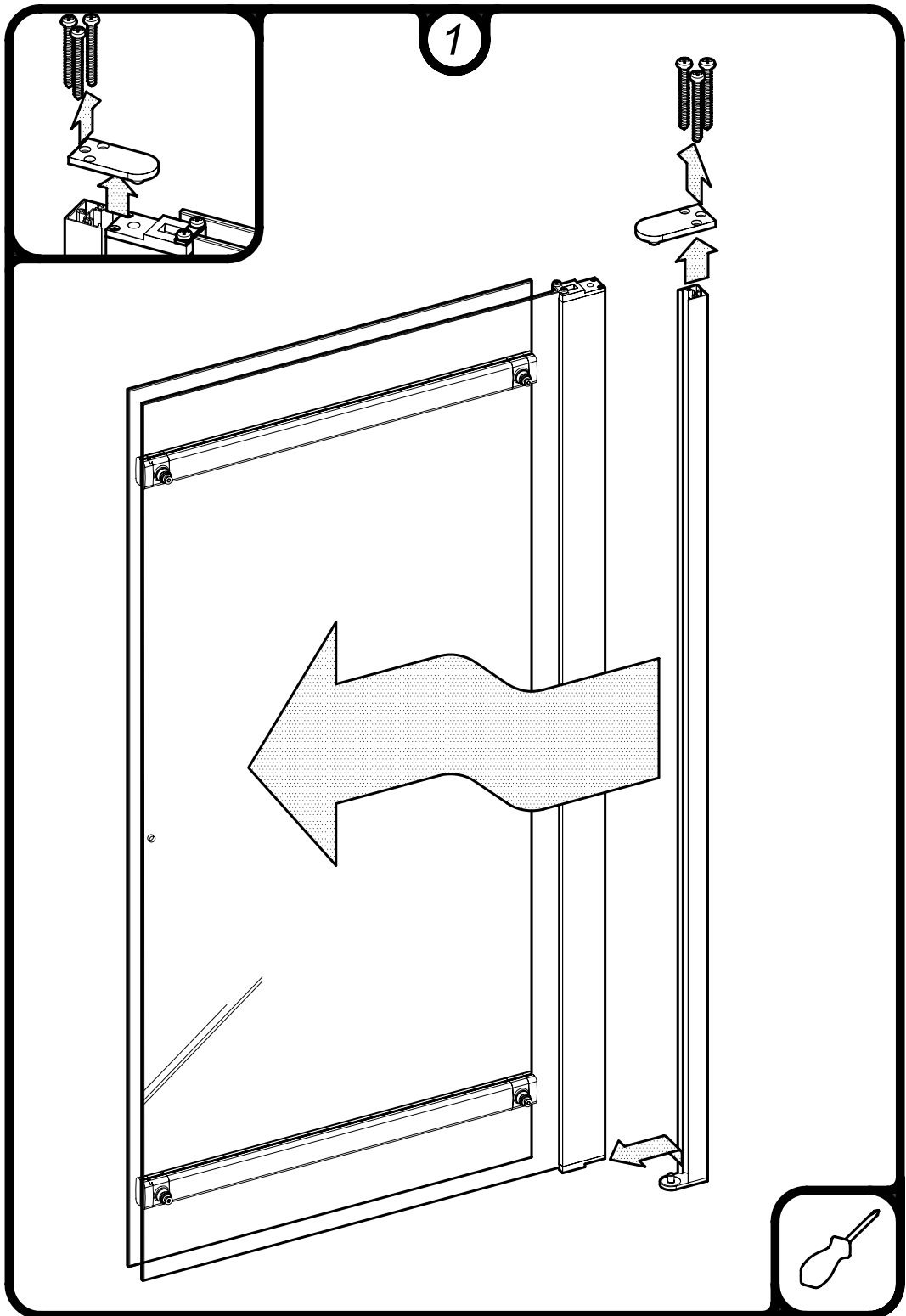
Navigation icons: left arrow, right arrow, and a sequence of 13 numbered circles (1-13). Circles 7, 8, 9, 10, 11, 12, and 13 are shaded.

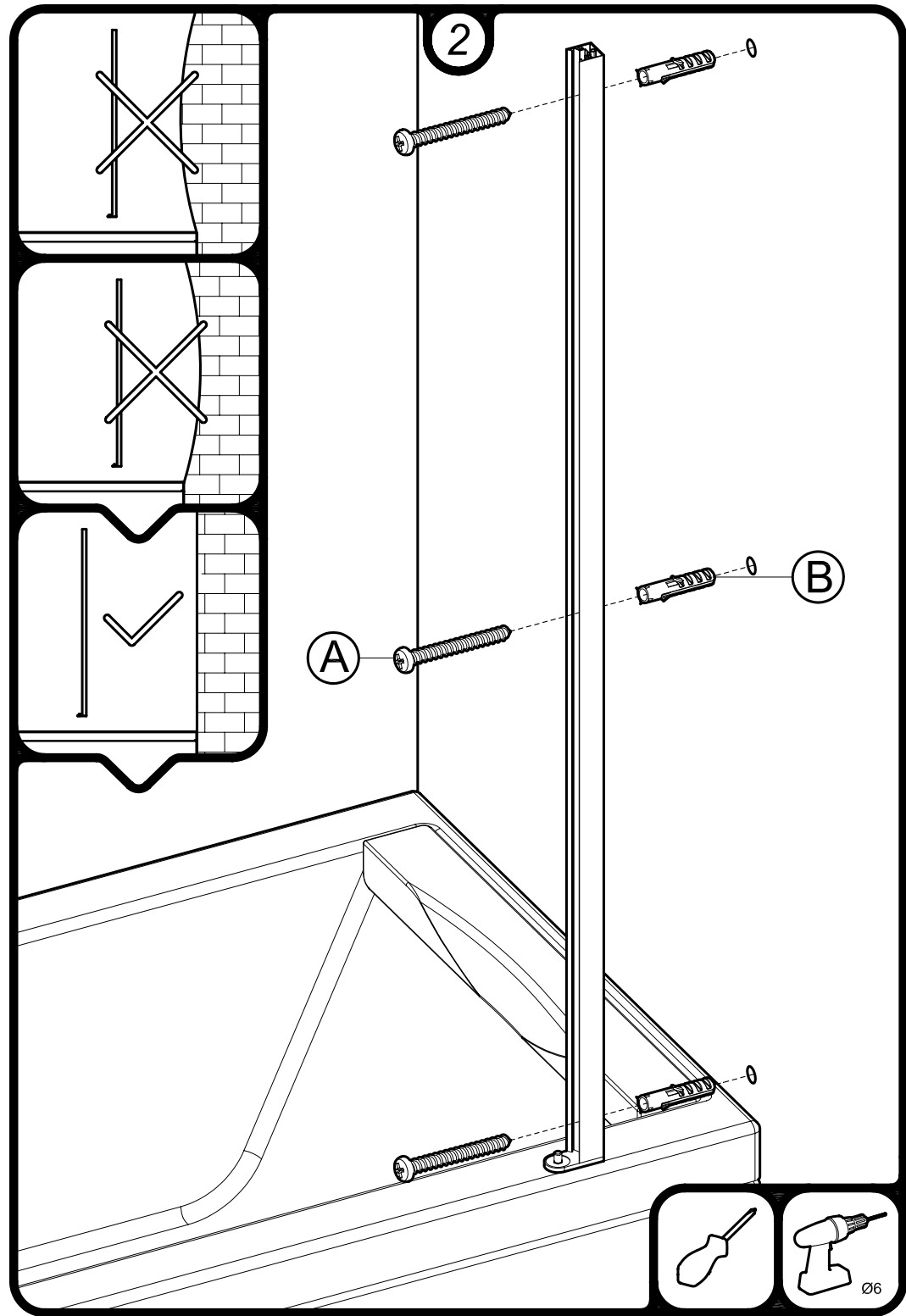
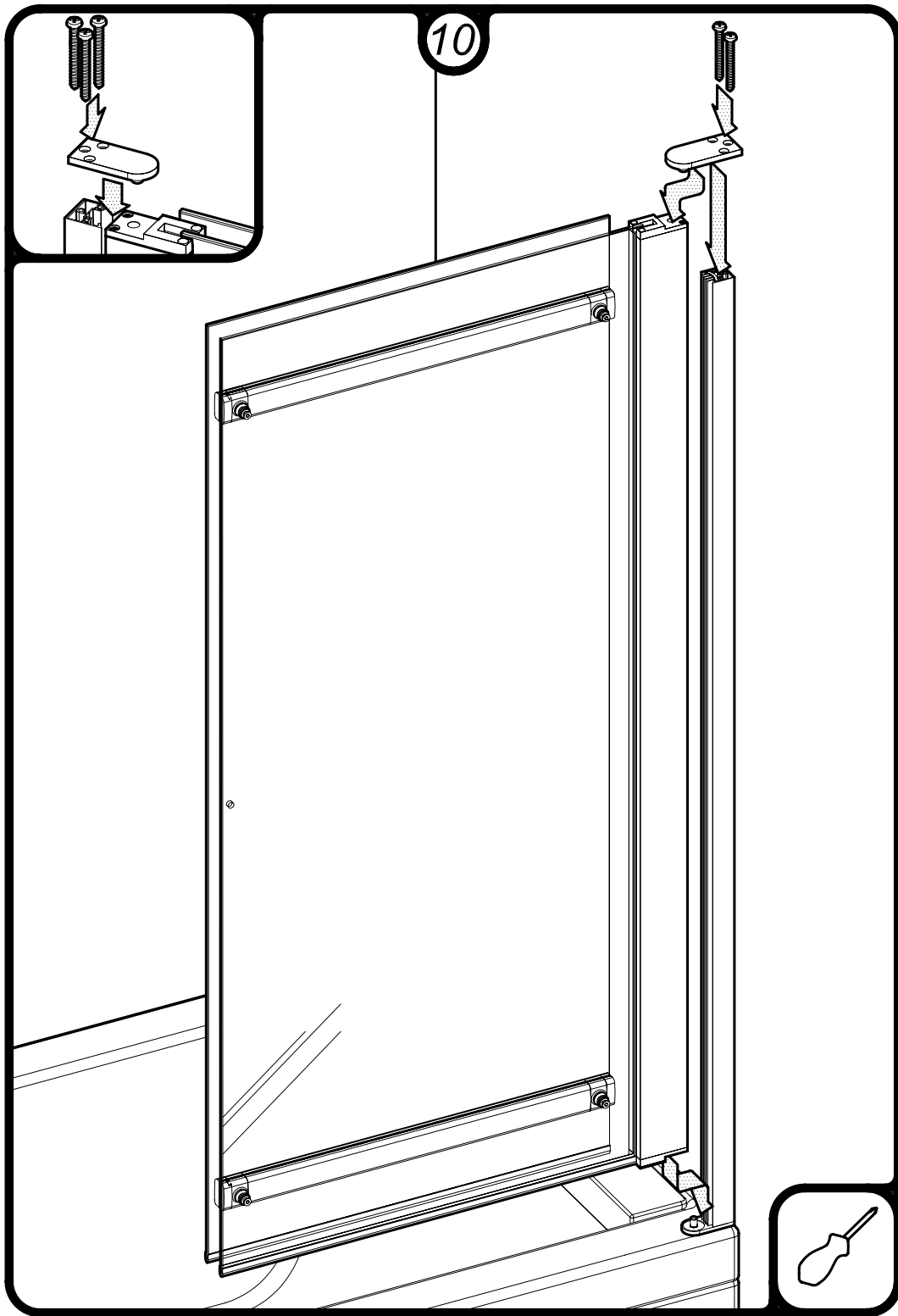


Navigation icons: left arrow, right arrow, and a sequence of 13 numbered circles (1-13). Circles 6, 7, 8, 9, 10, 11, and 12 are shaded.



Navigation icons: left arrow, right arrow, and a sequence of 13 numbered circles (1-13). Circles 6, 7, 8, 9, 10, 11, and 12 are shaded.





Peut se libérer brusquement

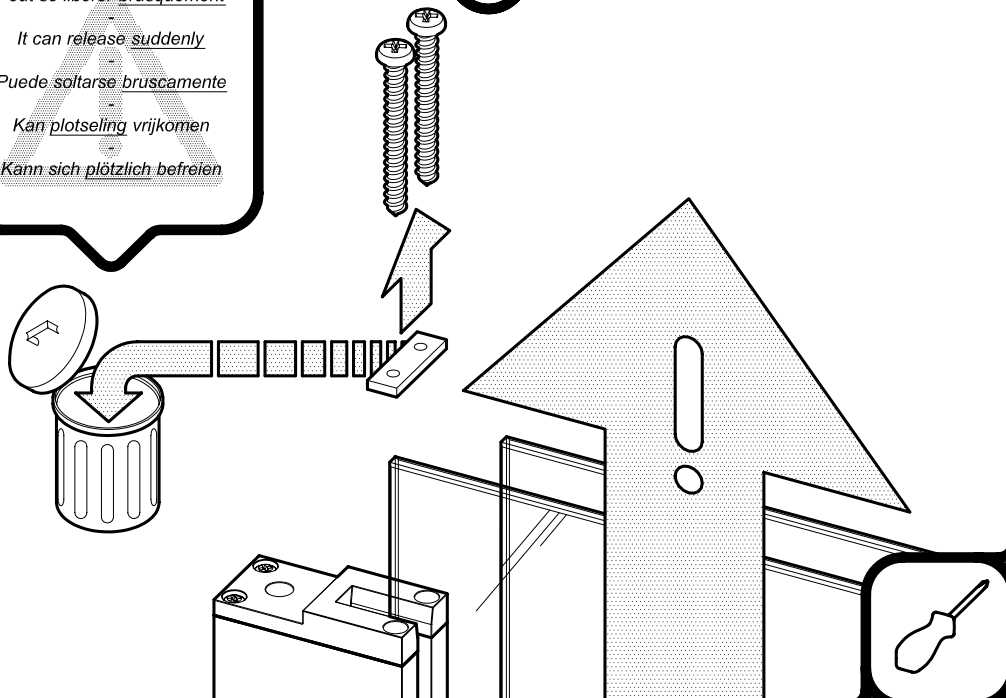
It can release suddenly

Puede saltarse bruscamente

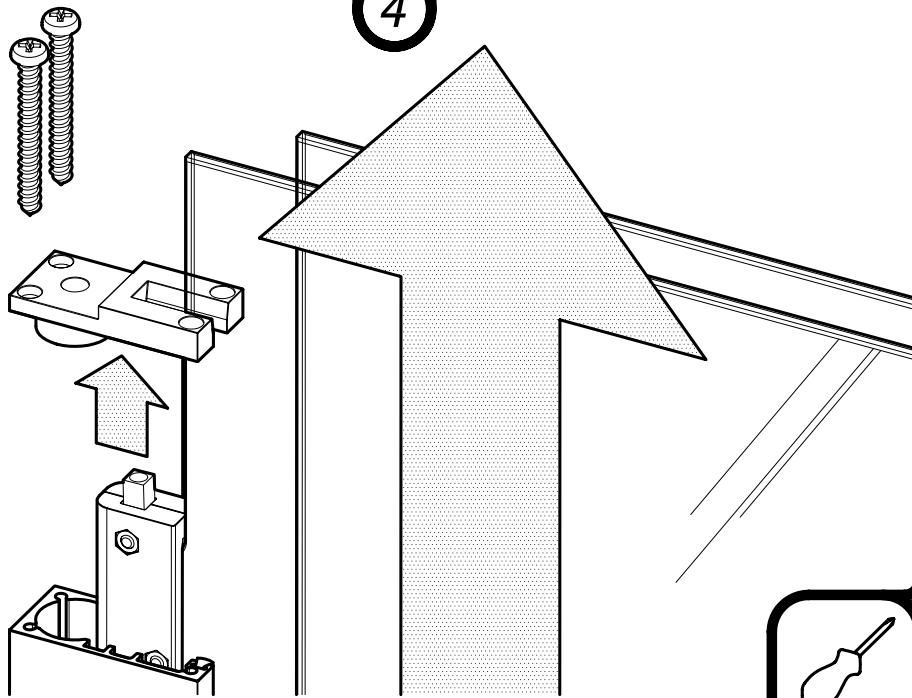
Kan plotseling vrijkomen

Kann sich plötzlich befreien

3

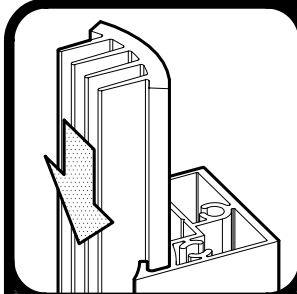


4



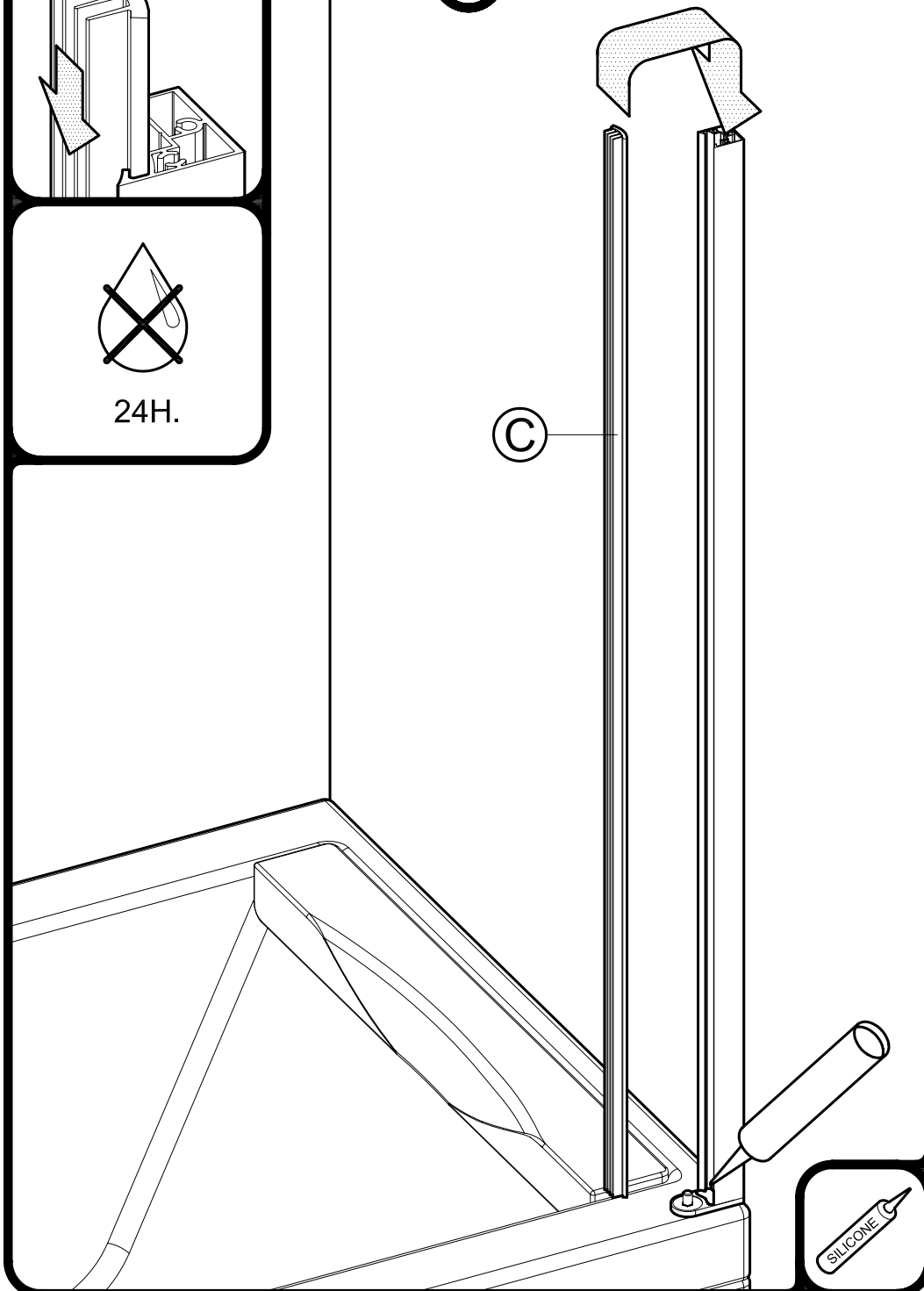
(* Seulement si nécessaire / Only if needed / Solo si requerido / Alleen indien nodig / Nur wenn notwendig)

9



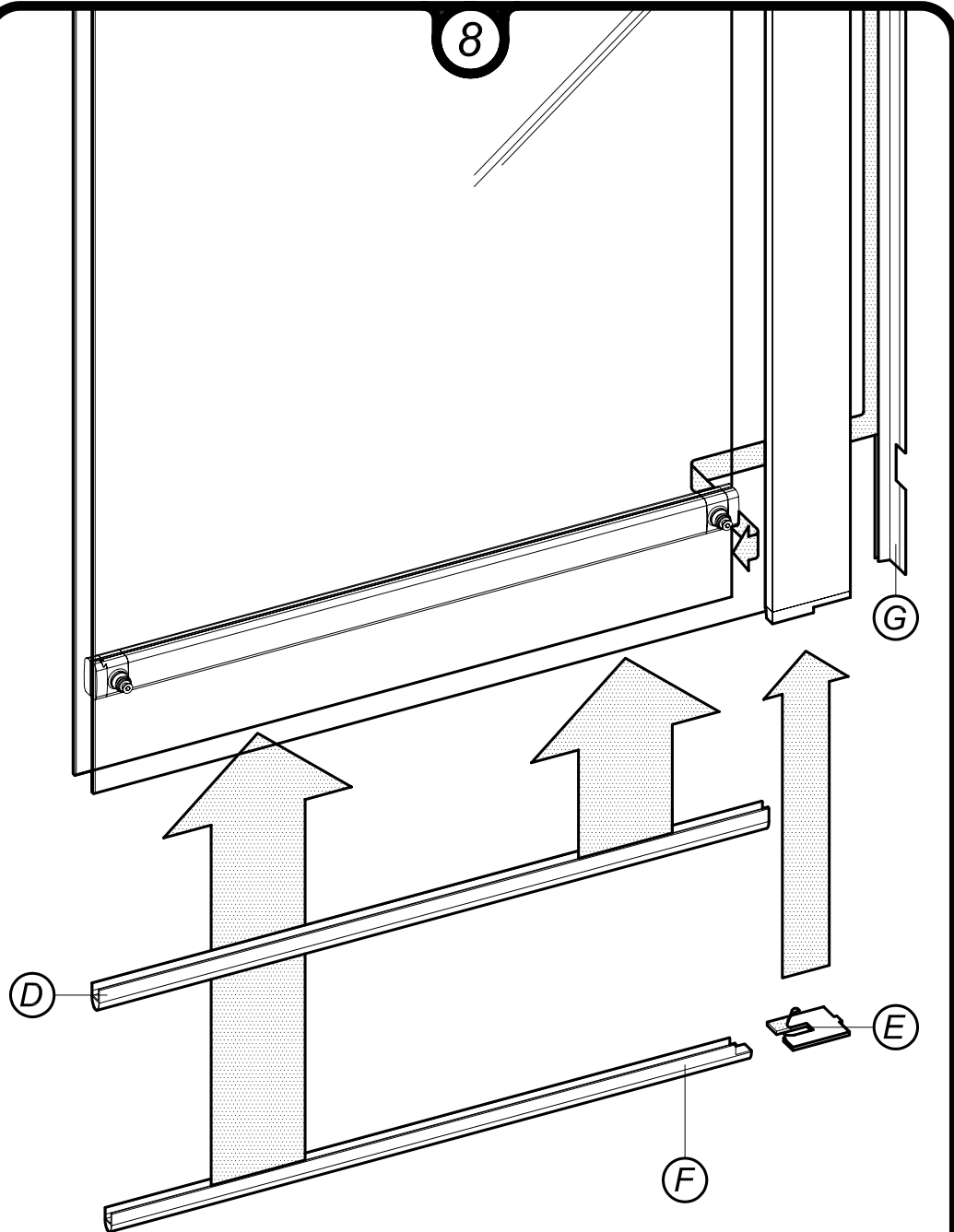
24H.

C

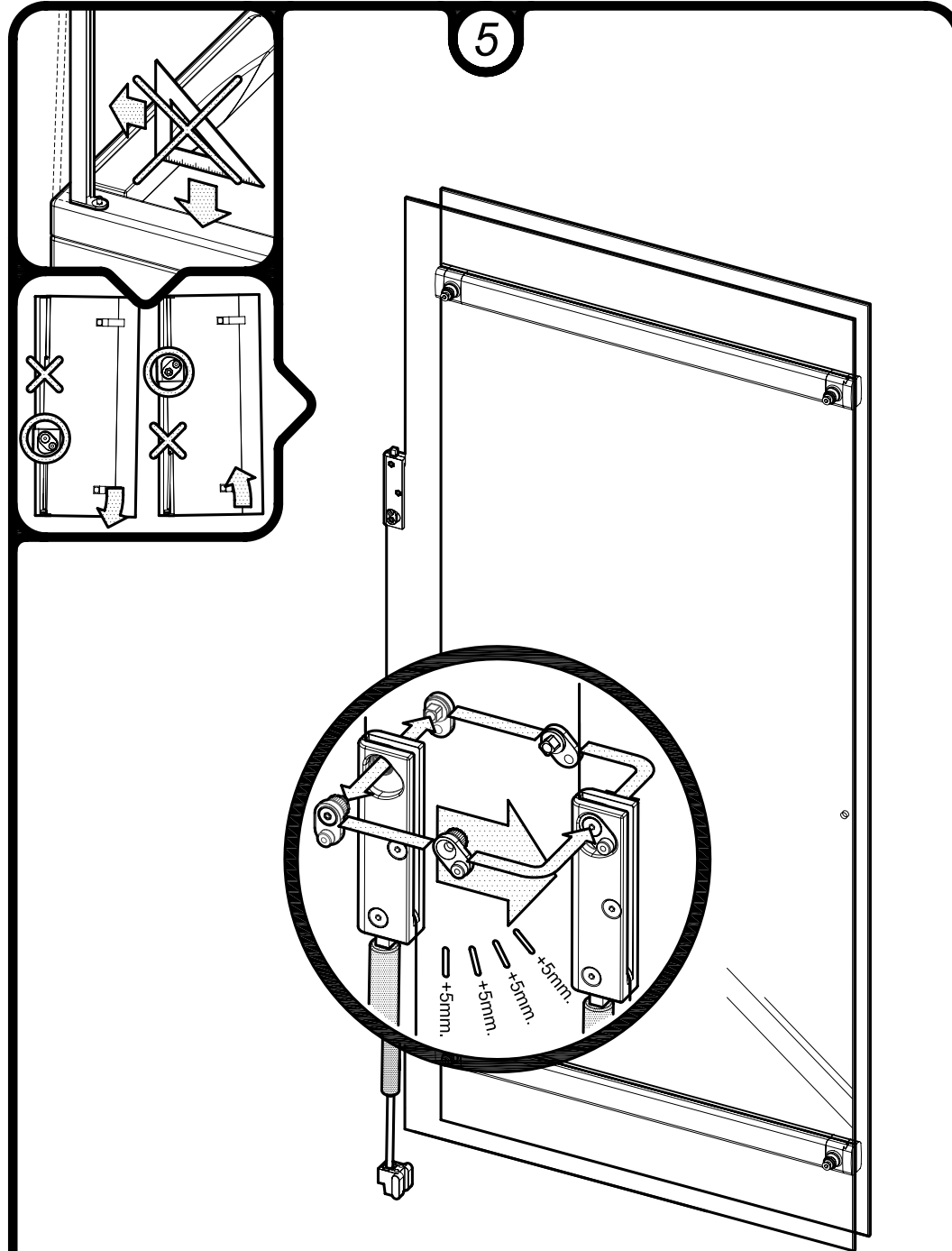


SILICONE

8

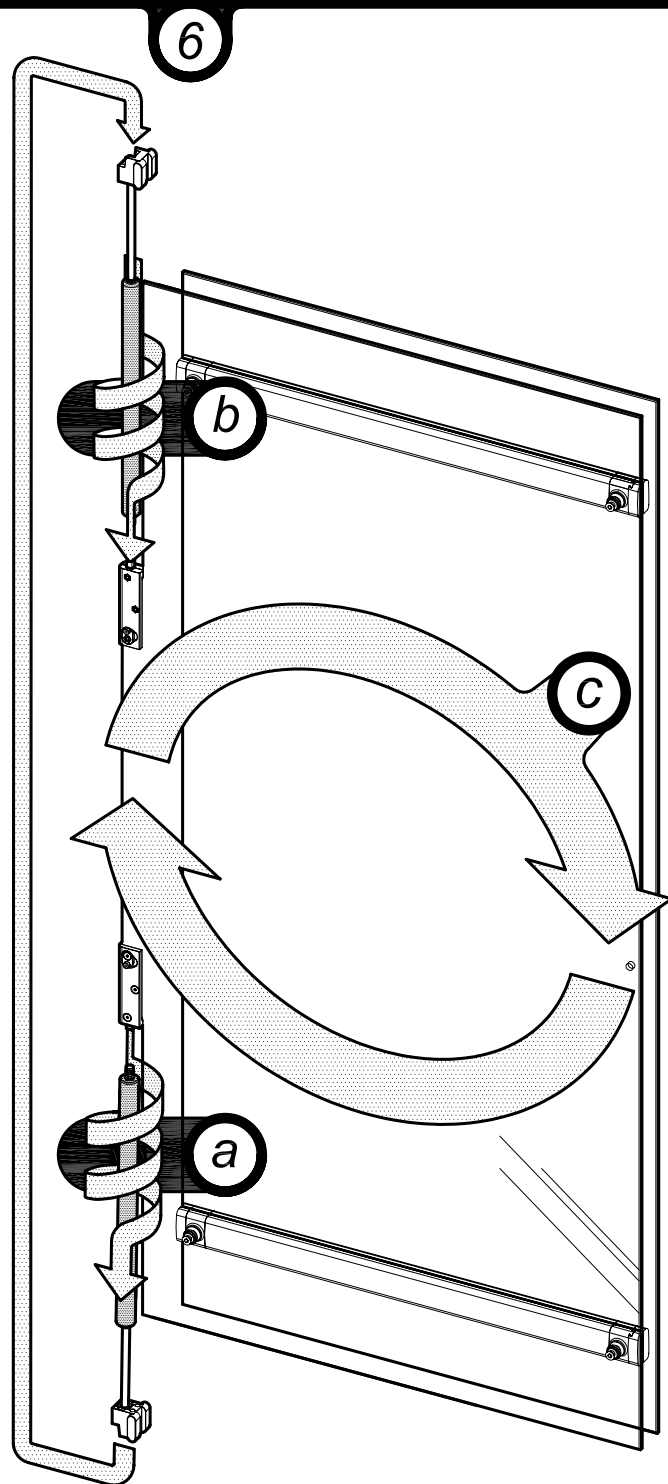
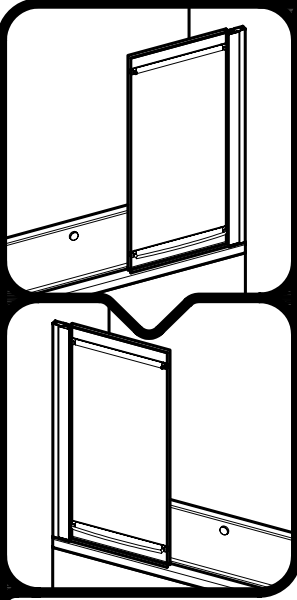


5

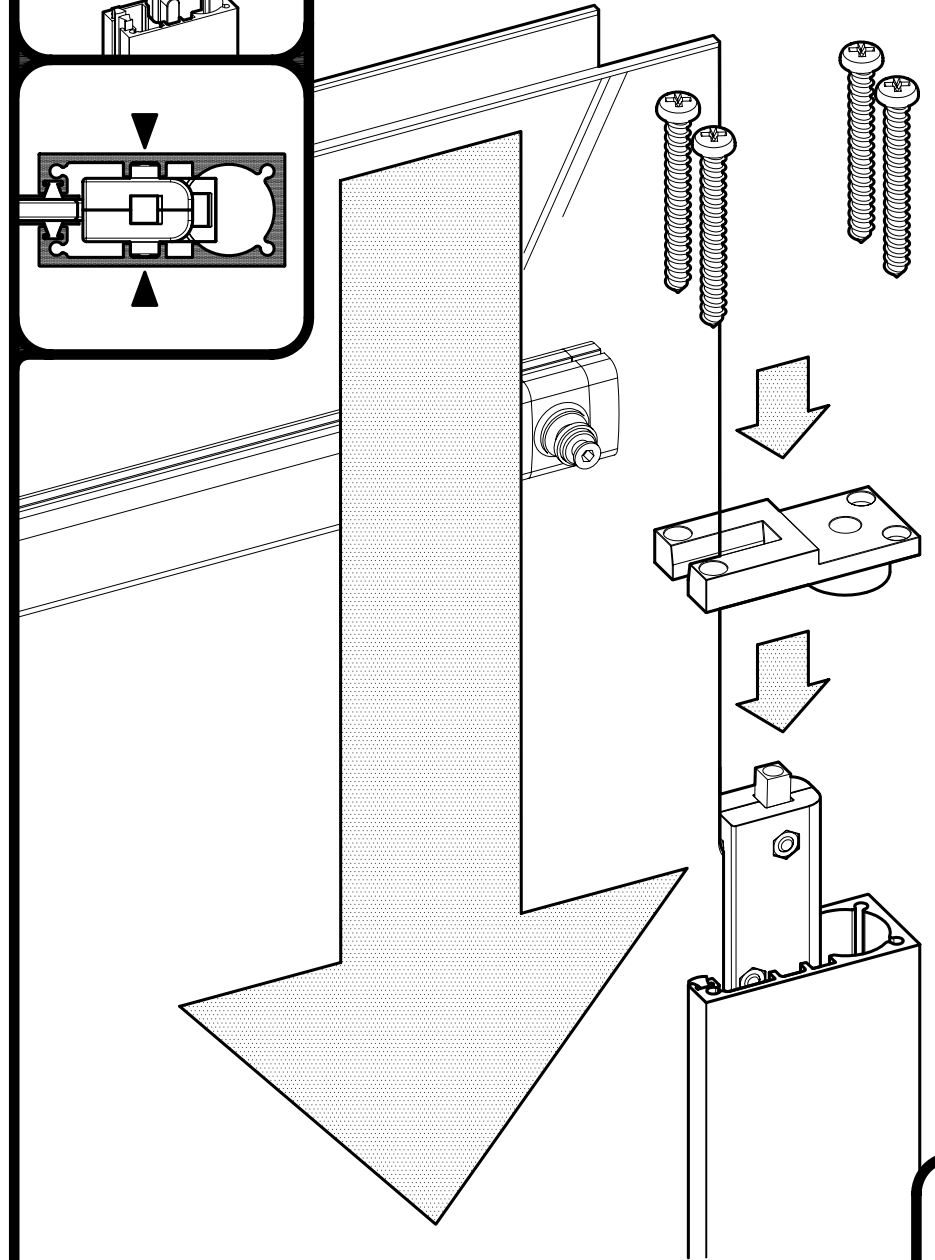
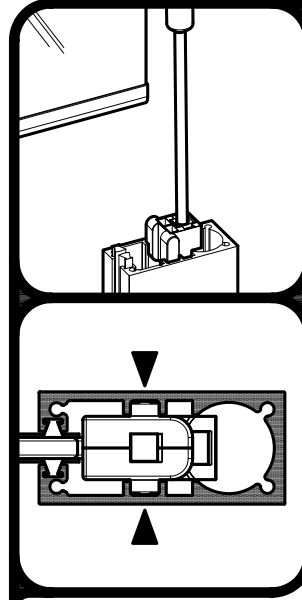


(* Seulement si nécessaire / Only if needed / Solo si requerido / Alleen indien nodig / Nur wenn notwendig)





(* Seulement si nécessaire / Only if needed / Solo si requerido / Alleen indien nodig / Nur wenn notwendig)



(* Seulement si nécessaire / Only if needed / Solo si requerido / Alleen indien nodig / Nur wenn notwendig)

