

# TEAC

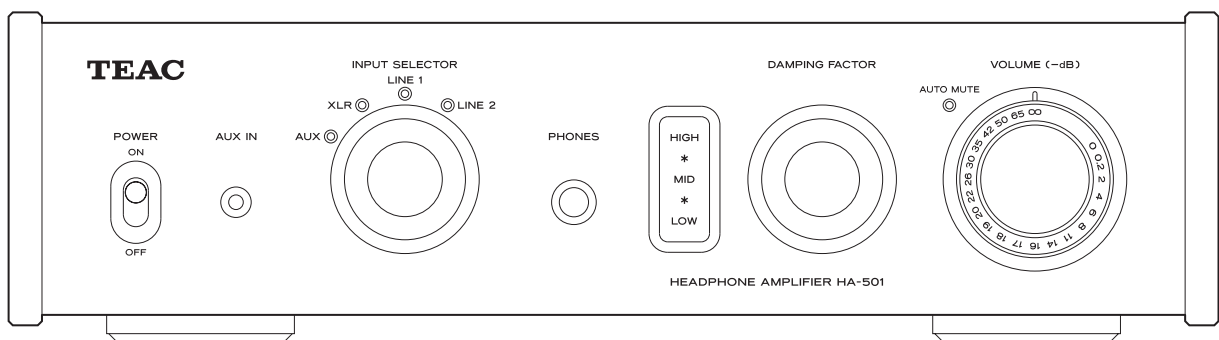
# HA-501

## Headphone Amplifier

OWNER'S MANUAL

MODE D'EMPLOI

MANUAL DEL USUARIO



# IMPORTANT SAFETY PRECAUTIONS

---

	<b>CAUTION</b> RISK OF ELECTRIC SHOCK DO NOT OPEN	
<p>CAUTION: TO REDUCE THE RISK OF ELECTRIC SHOCK, DO NOT REMOVE COVER (OR BACK). NO USER-SERVICEABLE PARTS INSIDE. REFER SERVICING TO QUALIFIED SERVICE PERSONNEL.</p>		



The lightning flash with arrowhead symbol, within an equilateral triangle, is intended to alert the user to the presence of uninsulated “dangerous voltage” within the product’s enclosure that may be of sufficient magnitude to constitute a risk of electric shock to persons.




The exclamation point within an equilateral triangle is intended to alert the user to the presence of important operating and maintenance (servicing) instructions in the literature accompanying the appliance.

<p>WARNING: TO PREVENT FIRE OR SHOCK HAZARD, DO NOT EXPOSE THIS APPLIANCE TO RAIN OR MOISTURE.</p>
--

## CAUTION

- DO NOT REMOVE THE EXTERNAL CASES OR CABINETS TO EXPOSE THE ELECTRONICS. NO USER SERVICEABLE PARTS ARE INSIDE.
- IF YOU ARE EXPERIENCING PROBLEMS WITH THIS PRODUCT, CONTACT TEAC FOR A SERVICE REFERRAL. DO NOT USE THE PRODUCT UNTIL IT HAS BEEN REPAIRED.
- USE OF CONTROLS OR ADJUSTMENTS OR PERFORMANCE OF PROCEDURES OTHER THAN THOSE SPECIFIED HEREIN MAY RESULT IN HAZARDOUS RADIATION EXPOSURE.

# IMPORTANT SAFETY INSTRUCTIONS

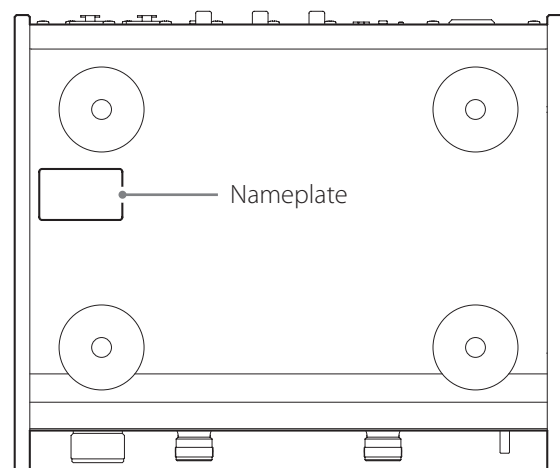
- 1) Read these instructions.
  - 2) Keep these instructions.
  - 3) Heed all warnings.
  - 4) Follow all instructions.
  - 5) Do not use this apparatus near water.
  - 6) Clean only with dry cloth.
  - 7) Do not block any ventilation openings. Install in accordance with the manufacturer's instructions.
  - 8) Do not install near any heat sources such as radiators, heat registers, stoves, or other apparatus (including amplifiers) that produce heat.
  - 9) Do not defeat the safety purpose of the polarized or grounding-type plug. A polarized plug has two blades with one wider than the other. A grounding type plug has two blades and a third grounding prong. The wide blade or the third prong are provided for your safety. If the provided plug does not fit into your outlet, consult an electrician for replacement of the obsolete outlet.
  - 10) Protect the power cord from being walked on or pinched particularly at plugs, convenience receptacles, and the point where they exit from the apparatus.
  - 11) Only use attachments/accessories specified by the manufacturer.
  - 12) Use only with the cart, stand, tripod, bracket, or table specified by the manufacturer, or sold with the apparatus. When a cart is used, use caution when moving the cart/apparatus combination to avoid injury from tip-over.
- 
- 13) Unplug this apparatus during lightning storms or when unused for long periods of time.
  - 14) Refer all servicing to qualified service personnel. Servicing is required when the apparatus has been damaged in any way, such as power-supply cord or plug is damaged, liquid has been spilled or objects have fallen into the apparatus, the apparatus has been exposed to rain or moisture, does not operate normally, or has been dropped.
    - The apparatus draws nominal non-operating power from the AC outlet with its POWER or STANDBY/ON switch not in the ON position.
    - The mains plug is used as the disconnect device, the disconnect device shall remain readily operable.
    - Caution should be taken when using earphones or headphones with the product because excessive sound pressure (volume) from earphones or headphones can cause hearing loss.

## CAUTION

- Do not expose this apparatus to drips or splashes.
- Do not place any objects filled with liquids, such as vases, on the apparatus.
- Do not install this apparatus in a confined space such as a book case or similar unit.
- The apparatus should be located close enough to the AC outlet so that you can easily reach the power cord plug at any time.
- If the product uses batteries (including a battery pack or installed batteries), they should not be exposed to sunshine, fire or excessive heat.
- CAUTION for products that use replaceable lithium batteries: there is danger of explosion if a battery is replaced with an incorrect type of battery. Replace only with the same or equivalent type.

## WARNING


Products with Class I construction are equipped with a power supply cord that has a grounding plug. The cord of such a product must be plugged into an AC outlet that has a protective grounding connection.




Front side

## For European Customers

### Disposal of electrical and electronic equipment

- (a) All electrical and electronic equipment should be disposed of separately from the municipal waste stream via collection facilities designated by the government or local authorities.
- (b) By disposing of electrical and electronic equipment correctly, you will help save valuable resources and prevent any potential negative effects on human health and the environment.
- (c) Improper disposal of waste electrical and electronic equipment can have serious effects on the environment and human health because of the presence of hazardous substances in the equipment.
- (d) The Waste Electrical and Electronic Equipment (WEEE) symbol, which shows a wheeled bin that has been crossed out, indicates that electrical and electronic equipment must be collected and disposed of separately from household waste. 
- (e) Return and collection systems are available to end users. For more detailed information about the disposal of old electrical and electronic equipment, please contact your city office, waste disposal service or the shop where you purchased the equipment.

### Disposal of batteries and/or accumulators

- (a) Waste batteries and/or accumulators should be disposed of separately from the municipal waste stream via collection facilities designated by the government or local authorities.
- (b) By disposing of waste batteries and/or accumulators correctly, you will help save valuable resources and prevent any potential negative effects on human health and the environment.
- (c) Improper disposal of waste batteries and/or accumulators can have serious effects on the environment and human health because of the presence of hazardous substances in them.
- (d) The WEEE symbol, which shows a wheeled bin that has been crossed out, indicates that batteries and/or accumulators must be collected and disposed of separately from household waste.   
**Pb, Hg, Cd**

If a battery or accumulator contains more than the specified values of lead (Pb), mercury (Hg), and/or cadmium (Cd) as defined in the Battery Directive (2006/66/EC), then the chemical symbols for those elements will be indicated beneath the WEEE symbol.

- (e) Return and collection systems are available to end users. For more detailed information about the disposal of waste batteries and/or accumulators, please contact your city office, waste disposal service or the shop where you purchased them.

## Contents

---

Thank you for choosing TEAC. Read this manual carefully to get the best performance from this unit.

Included items.....	5
Before use.....	6
Maintenance.....	6
Names and functions of parts.....	7
Connecting equipment.....	8
Connecting headphones.....	10
Basic operation.....	11
Automatic muting.....	12
Troubleshooting.....	12
Specifications.....	13

## Included items

---

Check to be sure the box contains all the included items shown below.

Please contact the store where you purchased this unit if any of these items are missing or have been damaged during transportation.

### **Power cord × 1**

### **Owner's manual (this document) × 1**

- Keep this manual in a safe place for future reference.

### **Warranty card × 1**

## Before use

---

### Placement precautions

- Do not put anything on top of the unit.
- Avoid placing the unit in direct sunlight or close to any source of heat, such as a radiator, heater, open fireplace or amplifier. Also avoid locations that are subject to vibrations or exposed to excessive dust, cold or moisture.
- Place the unit in a stable location near the audio system that you will use with it.
- Do not move the unit during use.
- The voltage supplied to the unit should match the voltage printed on the rear panel. If you are in any doubt regarding this matter, consult an electrician.
- As the unit could become warm during operation, always leave sufficient space around it for ventilation. When placing this unit, position it so that it is at least 3 cm (1.2") from walls and other devices in order to allow good heat dissipation. When installing it in a rack, leave at least 5 cm (2") open above the unit and 10 cm (4") open behind it.
- Do not open the body of the unit as this might result in damage to the circuitry or cause electric shock. If a foreign object should get into the unit, contact your dealer or TEAC customer service.
- When removing the power plug from the wall outlet, always pull directly on the plug; never yank on the cord.
- Depending on the electromagnetic waves of television broadcasts, interference might appear on television screens when this unit's power is on. This does not mean that this unit or the TV is malfunctioning. If this occurs, turn this unit's power off.

### Use precaution

Listening to anything at a high volume for a long time could be harmful to your hearing. In order to protect your ears, be careful not to set the volume too high when listening with headphones for a long time.

## Maintenance

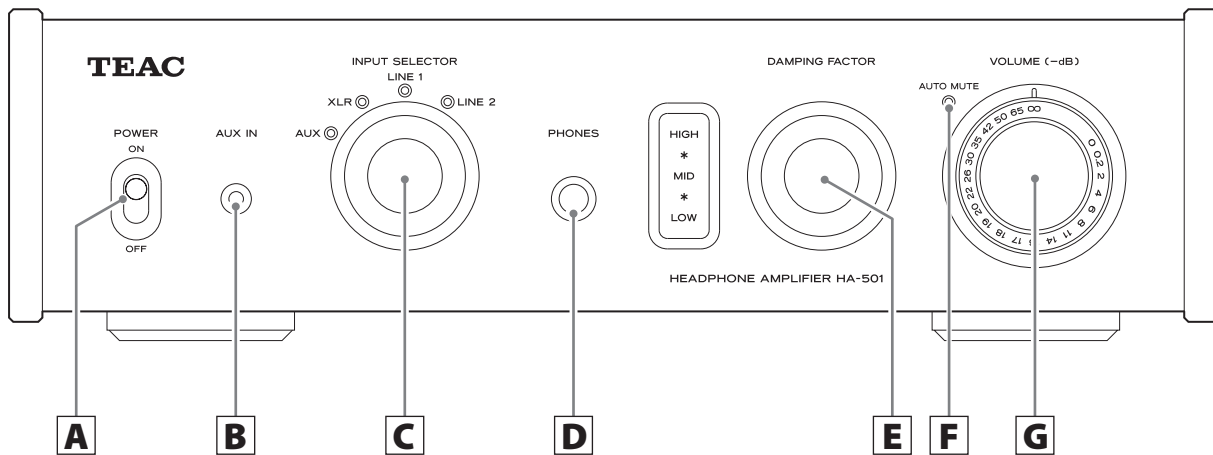
---

If the surface of the unit becomes dirty, wipe it with a soft dry cloth. If the unit becomes very dirty, dampen a soft cloth slightly with a diluted neutral cleanser and thoroughly wring out any excess fluid before using the cloth to wipe the unit.

### For your safety, disconnect the power cord from the socket before cleaning.

- Never spray liquid directly on the unit.
- Do not use thinner or alcohol as they could damage the surface of the unit.
- Avoid allowing rubber or plastic materials to touch this product for long periods of time, because they could damage the cabinet.

# Names and functions of parts



## **A** POWER switch

Use to turn the power ON and OFF.

## **B** Analog audio input jack (AUX IN)

This is a two-channel analog audio input jack. Use a 3.5 mm (1/8") stereo mini plug to connect the audio output of a portable music player, for example, to this unit. Use commercially available cables to make the connections.

## **C** INPUT SELECTOR knob

Use to select the input source. The indicator lights next to the selected input source.

## **D** PHONES jack

Connect headphones with a standard 6.3 mm (1/4") stereo plug here. (See page 10.)

## **E** DAMPING FACTOR knob

This setting will change the audio quality depending on the headphones you are using, the music you are listening to and other factors. Set it as you like. (See page 10.)

- Use caution because changing the damping factor can cause the volume to increase greatly.

## **F** AUTO MUTE indicator

This lights when automatic muting is active. (See page 12.)

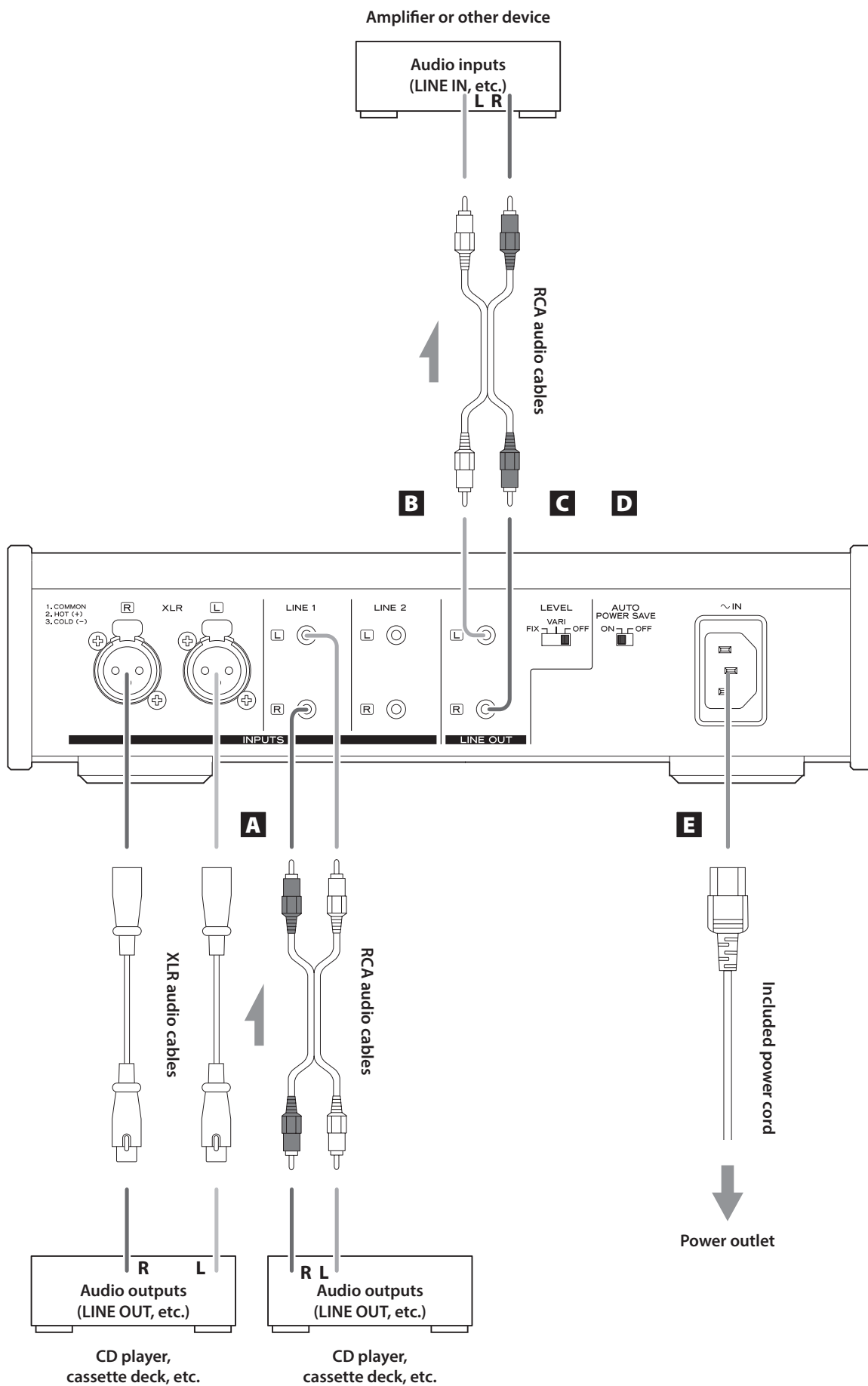
- Even when automatic muting is active, audio is output from the LINE OUT outputs.

## **G** VOLUME knob

Use to adjust the volume. Turn right to increase and left to decrease the volume.

- Minimizing the volume ( $-\infty$  dB) ends automatic muting. (See page 12.)

# Connecting equipment





### A Analog audio input connectors (INPUTS)

These are two-channel analog audio input pairs. Connect cassette decks, CD players and other devices that output audio.

Connect the L connectors of this unit with the L connectors of audio output devices. Connect the R connectors of this unit with the R connectors of audio output devices.

- This unit's XLR connectors are pin 2 "hot".

Use commercially available cables to make the connections.

XLR:	Balanced XLR cables
LINE 1:	RCA audio cable
LINE 2:	RCA audio cable

### B LEVEL switch

Set the level of the audio output from the analog audio output connectors (LINE OUT).

- FIX: Output the same level as input.
- VARI: Output according to the VOLUME knob setting.
- OFF: No output.

### C Analog audio output jacks (LINE OUT)

These are a two-channel analog audio output pair. Connect these to an amplifier or other device with audio inputs.

Use commercially available cables to make the connections.



### D AUTO POWER SAVE switch

Use to turn the automatic power saving function ON and OFF. When set to ON, if there is no audio input for about 30 to 45 minutes, the power will turn off automatically. (The POWER switch will stay in the ON position when this occurs.)

- After the automatic power saving function has turned the power off, shift the POWER switch to OFF and then back to ON to turn the power on again.

### E Power inlet (~IN)

Insert the included power cord here. After completing all other connections, insert the power plug into a power outlet.

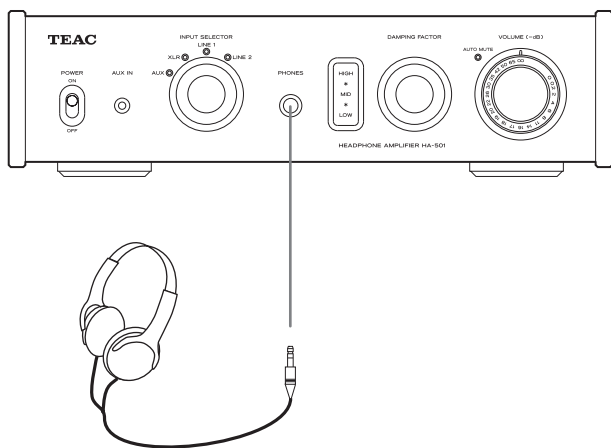
Unplug the cord from the outlet when not using the unit for a long time.

- ⚠ Use only the included power cord. Use of a different cord could cause fire or electric shock.

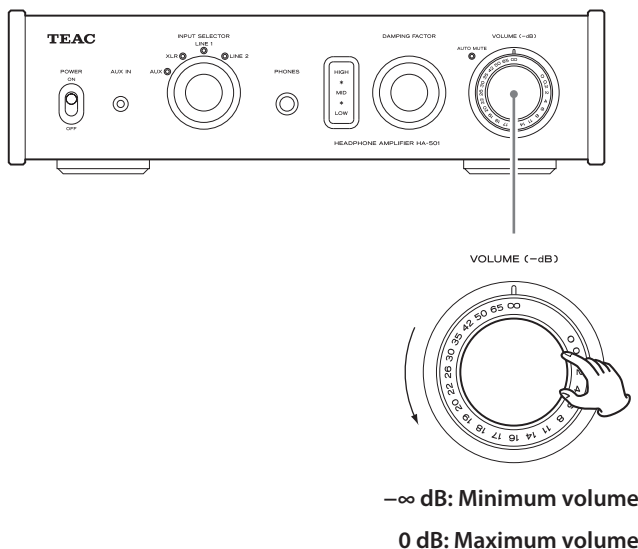
**⚠ Do not turn the power on until after making all connections.**

- Carefully read the manuals of the devices that you are connecting and follow their instructions when making connections.
- Do not bundle connecting cables with power cords. Doing so could cause noise.
- Connect all plugs completely.

# Connecting headphones



- 1 Turn the VOLUME knob to its minimum value ( $-\infty$  dB).**



- 2 Turn the power ON.**
- 3 Insert the headphones' plug (standard 6.3 mm (1/4") stereo) into the PHONES jack.**
- 4 Gradually adjust the VOLUME knob.**

**⚠ Do not connect or disconnect headphones or turn the power ON or OFF while wearing them.**

**Sudden loud noises could occur, which might cause hearing damage.**

Always minimize the volume ( $-\infty$  dB) before putting on headphones.

## Using the DAMPING FACTOR knob

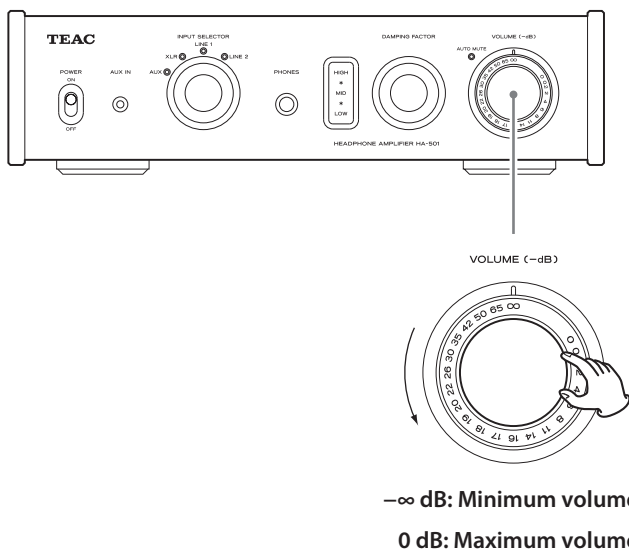
Impedance differs among models of headphones. In order to allow you to enjoy optimal audio quality from a variety of headphones, this unit has a DAMPING FACTOR knob.

Adjust this setting as you like according to the headphones and music.

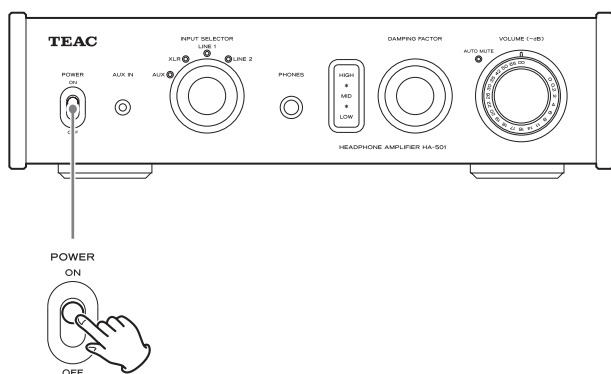
- When set to a high value, the sound will be crisper and livelier. When set to a low value, the sound will be calmer and softer.
- Use headphones with impedance ratings between  $16 \Omega$  and  $600 \Omega$  with this unit.

# Basic operation

- 1 Turn the VOLUME knob to its minimum value ( $-\infty$  dB).

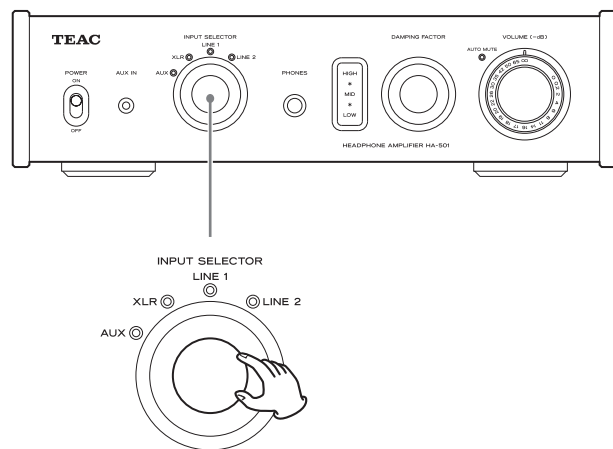


- 2 Shift the POWER switch to its ON position.



- After setting the POWER switch to ON, the output will stay muted for about ten seconds while the circuits stabilize. End automatic muting after about ten seconds.
- If you turn the VOLUME knob to its minimum level ( $-\infty$  dB) before setting the POWER switch to ON, automatic muting will end after about ten seconds and the AUTO MUTE indicator will become unlit.

- 3 Use the INPUT SELECTOR knob to set the input source.

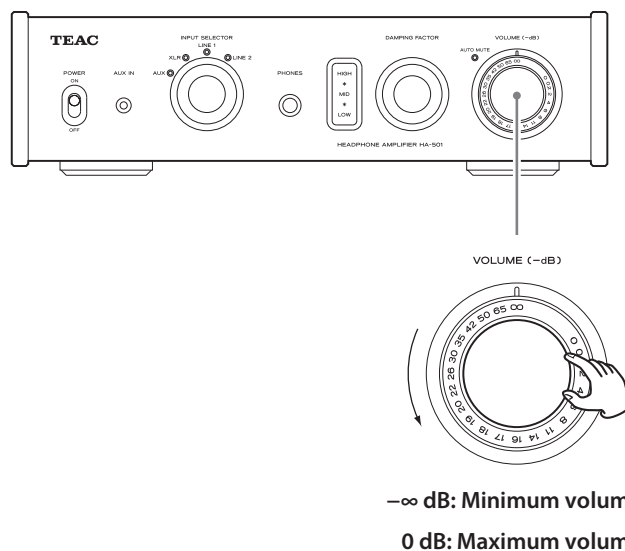


The indicator for the selected input source lights.

- 4 Operate the playback device.

Refer to the operation manual of that device.

- 5 Adjust the volume.

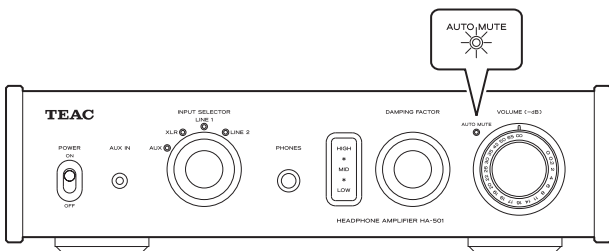


Use the VOLUME knob to adjust the volume to its optimal level.

## Automatic muting

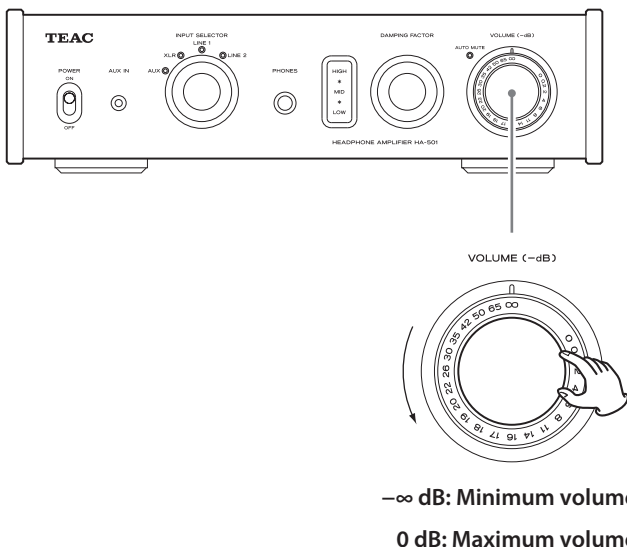
In order to protect your hearing from harm and headphones from damage caused by excessive volume, this unit has an automatic muting function. The following actions cause the unit to automatically mute regardless of the VOLUME knob setting. The AUTO MUTE indicator lights when this function is active.

- When the power is turned ON
- When a headphones plug is inserted into or removed from the PHONES jack



## Ending automatic muting

Turn the VOLUME knob to the minimum value ( $-\infty$  dB) to end automatic muting. The AUTO MUTE indicator will become unlit.



## Troubleshooting

If you experience a problem with this unit, please check the following items before requesting service. If it still does not operate correctly, contact the retailer where you purchased the unit or TEAC customer support (see the back cover for contact information).

### The power will not turn on.

- ➔ Check that the power cord is completely plugged into the power outlet. If the outlet is switched, confirm that the switch is in the ON position.
- ➔ Connect a different electrical device to the outlet to confirm that it is supplying power.
- ➔ If the automatic power saving function has turned the power off, shift the POWER switch to OFF and then back to ON to turn the power on again (page 9).

### No sound is output.

- ➔ If the AUTO MUTE indicator is lit, turn the VOLUME knob to the minimum value ( $-\infty$  dB), and then gradually increase the volume level.
- ➔ Adjust the VOLUME knob.
- ➔ Use the INPUT SELECTOR to select the input that is connected to the source that you want to hear.
- ➔ Reconfirm the connections with other equipment.

### There is a humming noise.

- ➔ If a connecting cable is near a power cord, fluorescent light or similar cause of interference, increase the distance between them as much as possible.

### There is no sound from one side of the headphones.

- ➔ Confirm that the headphones plug is inserted completely.

# Specifications

EN

## Amplifier

### Inputs

XLR connectors 1 pair (2: HOT)  
Input impedance ..... 20 k $\Omega$   
Input sensitivity ..... 2 Vrms

RCA jacks 2 pairs (LINE 1, LINE 2)  
Input impedance ..... 10 k $\Omega$   
Input sensitivity ..... 1 Vrms

AUX Stereo 3.5 mm mini jack  
Input impedance ..... 13 k $\Omega$   
Input sensitivity ..... 0.5 Vrms

### Outputs

Headphones Stereo 6.3 mm standard jack  
Adjustable impedance range ..... 16 - 600  $\Omega$   
Effective maximum output ..... 1400 mW + 1400 mW  
(into 32  $\Omega$  impedance)  
135 mW + 135 mW  
(into 600  $\Omega$  impedance)  
Rated output ..... 600 mW + 600 mW  
(into 32  $\Omega$  impedance)  
34 mW + 34 mW  
(into 600  $\Omega$  impedance)  
Total harmonic distortion ..... 0.01% or less  
(20 Hz - 20 kHz, into 32  $\Omega$  impedance)  
S/N ratio ..... 110 dB  
(A-weight, RCA input 2 Vrms, 1 kHz)  
Frequency range ..... 10 Hz - 100 kHz  $\pm$ 3 dB

RCA jacks 1 pair line  
Output impedance ..... 100  $\Omega$   
Standard output voltage level ..... 316 mV

## General

Power supply ..... AC 220 - 240 V, 50 Hz

Power consumption ..... 22 W

Dimensions (W  $\times$  H  $\times$  D) (including protrusions)  
290 mm  $\times$  81.2 mm  $\times$  244 mm  
(11 3/8"  $\times$  3 1/4"  $\times$  9 5/8")

Weight ..... 4.1 kg (9 lb)

Operating temperature range ..... +5 $^{\circ}$ C to +35 $^{\circ}$ C

Operating humidity range ..... 5 - 85% (no condensation)

Storage temperature range ..... -20 $^{\circ}$ C to +55 $^{\circ}$ C

## Included accessories

Power cord  $\times$  1  
Owner's Manual (this document)  $\times$  1  
Warranty card  $\times$  1

- Specifications and appearance are subject to change without notice.
- Weight and dimensions are approximate.
- Illustrations in this owner's manual might differ slightly from production models.


- N'exposez pas cet appareil aux gouttes ni aux éclaboussures.
- Ne placez pas d'objet rempli de liquide sur l'appareil, comme par exemple un vase.
- N'installez pas cet appareil dans un espace confiné comme une bibliothèque ou un meuble similaire.
- L'appareil tire un courant nominal de veille de la prise secteur quand son interrupteur POWER ou STANDBY/ON n'est pas en position ON.
- L'appareil doit être placé suffisamment près de la prise de courant pour que vous puissiez à tout moment atteindre facilement la fiche du cordon d'alimentation
- La fiche secteur est utilisée comme dispositif de déconnexion et doit donc toujours rester disponible.
- Les produits de Classe I sont équipés d'un cordon d'alimentation ayant une fiche de terre. Le cordon de ces produits doit être branché dans une prise de terre.
- Si le produit utilise des batteries (y compris un pack d'accus ou des piles), elles ne doivent pas être exposées au soleil, au feu ou à une chaleur excessive.
- PRÉCAUTION pour les produits utilisant des batteries au lithium remplaçables : il existe un danger d'explosion en cas de remplacement par un type de batterie incorrect. Remplacez-les uniquement par des modèles identiques ou équivalents.
- Des précautions doivent être prises pour l'emploi d'écouteurs ou d'un casque avec le produit car une pression acoustique (volume) excessive dans les écouteurs ou dans le casque peut provoquer une perte d'audition.

## Pour les consommateurs européens

### Mise au rebut des équipements électriques et électroniques

- Tout équipement électrique et électronique doit être traité séparément de la collecte municipale d'ordures ménagères dans des points de collecte désignés par le gouvernement ou les autorités locales.
- En vous débarrassant correctement des équipements électriques et électroniques, vous contribuerez à la sauvegarde de précieuses ressources et à la prévention de potentiels effets négatifs sur la santé humaine et l'environnement.
- Le traitement incorrect des déchets d'équipements électriques et électroniques peut avoir des effets graves sur l'environnement et la santé humaine en raison de la présence de substances dangereuses dans les équipements.
- Le symbole de déchets d'équipements électriques et électroniques (DEEE), qui représente une poubelle à roulettes barrée d'une croix, indique que l'équipement électrique et électronique doit être collecté et traité séparément des déchets ménagers. 
- Des systèmes de retour et de collecte sont disponibles pour l'utilisateur final. Pour des informations plus détaillées sur la mise au rebut des vieux équipements électriques et électroniques, veuillez contacter votre mairie, le service d'ordures ménagères ou le magasin dans lequel vous avez acquis l'équipement.

### Mise au rebut des batteries et/ou accumulateurs

- Les batteries et/ou accumulateurs hors d'usage doivent être traités séparément de la collecte municipale d'ordures ménagères dans des points de collecte désignés par le gouvernement ou les autorités locales.
- En vous débarrassant correctement des batteries et/ou accumulateurs hors d'usage, vous contribuerez à la sauvegarde de précieuses ressources et à la prévention de potentiels effets négatifs sur la santé humaine et l'environnement.
- Le traitement incorrect des batteries et/ou accumulateurs hors d'usage peut avoir des effets graves sur l'environnement et la santé humaine car ils contiennent des substances dangereuses.
- Le symbole de déchets d'équipements électriques et électroniques (DEEE), qui représente une poubelle à roulettes barrée d'une croix, indique que les batteries et/ou accumulateurs doivent être collectés et traités séparément des déchets ménagers.  **Pb, Hg, Cd**
- Si une batterie ou un accumulateur contient plus que les valeurs spécifiées de plomb (Pb), mercure (Hg) et/ou cadmium (Cd) telles que définies dans la directive sur les batteries (2006/66/EC), alors les symboles chimiques de ces éléments seront indiqués sous le symbole DEEE.
- Des systèmes de retour et de collecte sont disponibles pour l'utilisateur final. Pour des informations plus détaillées sur la mise au rebut des batteries et/ou accumulateurs, veuillez contacter votre mairie, le service d'ordures ménagères ou le magasin dans lequel vous les avez achetés.

## Sommaire

---

Nous vous remercions d'avoir choisi TEAC. Lisez ce mode d'emploi avec attention pour tirer les meilleures performances de cette unité.

Éléments fournis.....	15
Avant l'utilisation.....	16
Entretien.....	16
Nomenclature et fonctions des parties.....	17
Branchement de l'équipement.....	18
Branchement d'un casque.....	20
Fonctionnement de base.....	21
Coupure automatique du son.....	22
Guide de dépannage.....	22
Caractéristiques techniques.....	23

## Éléments fournis

---

Vérifiez que l'emballage contient bien tous les éléments représentés ci-dessous.

Veillez contacter le magasin dans lequel vous avez acheté cette unité si l'un de ces éléments manque ou a été endommagé durant le transport.

### **Cordon d'alimentation × 1**

### **Mode d'emploi (ce document) × 1**

- Conservez ce mode d'emploi dans un endroit sûr pour référence ultérieure.

### **Carte de garantie × 1**

FR

## Avant l'utilisation

---

### Précautions de placement

- Ne posez rien sur l'unité.
- Évitez d'exposer l'unité directement au soleil et de la placer près d'une quelconque source de chaleur telle qu'un radiateur, une bouche de chauffage, une cheminée ou un amplificateur. Évitez aussi les endroits sujets aux vibrations ou exposés à une poussière excessive, au froid et à l'humidité.
- Placez l'unité sur une surface stable près du système audio que vous allez utiliser avec elle.
- Ne déplacez pas l'unité durant l'utilisation.
- La tension d'alimentation de l'unité doit correspondre à la tension imprimée sur son panneau arrière. Si vous avez des doutes à ce sujet, consultez un électricien.
- Il est possible que l'unité chauffe durant l'utilisation, laissez donc toujours un espace suffisant autour d'elle pour sa ventilation. Quand vous posez cette unité, positionnez-la pour qu'elle soit au moins à 3 cm des murs et autres appareils afin de permettre une bonne dissipation thermique. Si vous l'installez dans un rack, laissez au moins 5 cm de libre au-dessus de l'unité et 10 cm derrière elle.
- N'ouvrez pas le boîtier de l'unité car cela peut endommager le circuit ou causer un choc électrique. Si un objet étranger pénètre dans l'unité, consultez votre revendeur ou le service après-vente TEAC.
- Quand vous débranchez le cordon d'alimentation de la prise secteur, tirez toujours sur la prise, jamais sur le cordon.
- En fonction des ondes électromagnétiques de télédiffusion, des parasites peuvent apparaître sur les écrans de télévision quand cette unité est sous tension. Ce n'est pas un mauvais fonctionnement de cette unité ou du téléviseur. Si cela se produit, éteignez cette unité.

### Précautions d'emploi

L'écoute prolongée à fort volume peut entraîner des dommages auditifs. Pour protéger votre audition, veillez à ne pas régler le volume trop haut quand vous écoutez longtemps au casque.

## Entretien

---

Si la surface de l'unité est sale, essuyez-la avec un chiffon sec et doux. Si la surface de l'unité est très sale, humidifiez légèrement un chiffon doux avec un détergent neutre dilué et essorez-le bien pour éliminer tout liquide excessif avant de vous en servir pour nettoyer l'unité.

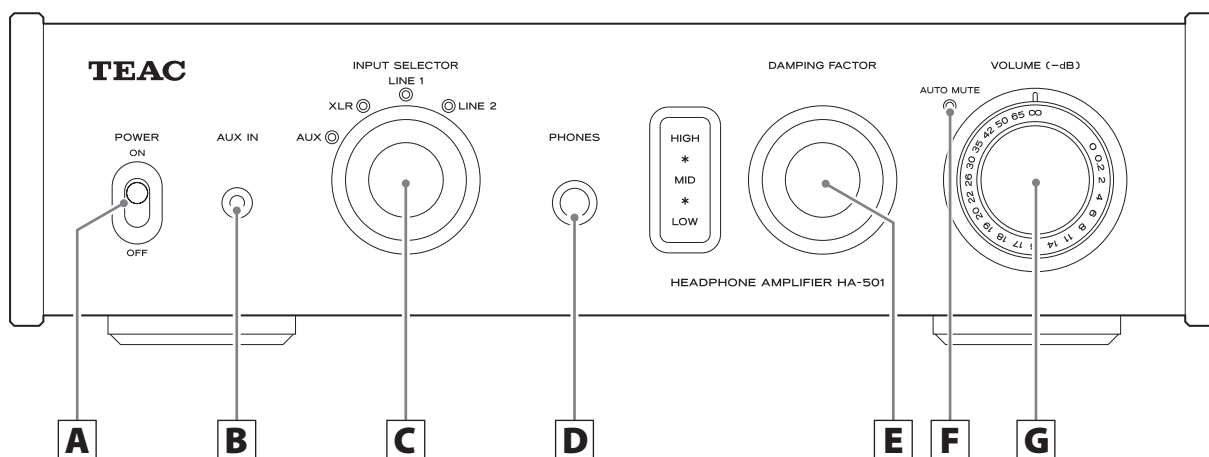
### Pour votre sécurité, débranchez le cordon d'alimentation de la prise secteur avant tout nettoyage.

- Ne vaporisez jamais du liquide directement sur l'unité.
- N'utilisez pas de diluant ni d'alcool car ils peuvent endommager la surface de l'unité.
- Évitez un contact prolongé de l'unité avec des matériaux caoutchouteux ou plastiques car ceux-ci peuvent endommager le boîtier.



# Nomenclature et fonctions des parties

FR



## **A** Interrupteur d'alimentation POWER

Sert à mettre sous et hors tension.

## **B** Prise d'entrée audio analogique auxiliaire (AUX IN)

C'est une prise d'entrée audio analogique deux canaux.

Utilisez une fiche mini-jack 3,5 mm stéréo pour y brancher par exemple la sortie audio d'un lecteur de musique portable.

Utilisez des câbles du commerce pour faire les connexions.

## **C** Bouton INPUT SELECTOR

Sert à sélectionner la source d'entrée. Le voyant de la source d'entrée sélectionnée s'allume.

## **D** Prise PHONES

Branchez ici un casque à fiche jack 6,35 mm stéréo standard (voir page 20).

## **E** Bouton DAMPING FACTOR

Ce réglage change la qualité audio en fonction du casque que vous utilisez, de la musique que vous écoutez et d'autres facteurs. Réglez-le à votre goût (voir page 20).

- Faites attention car changer le facteur d'amortissement (Damping Factor) peut entraîner un fort accroissement du volume.

## **F** Voyant AUTO MUTE

S'allume quand la coupure automatique du son est activée (voir page 22).

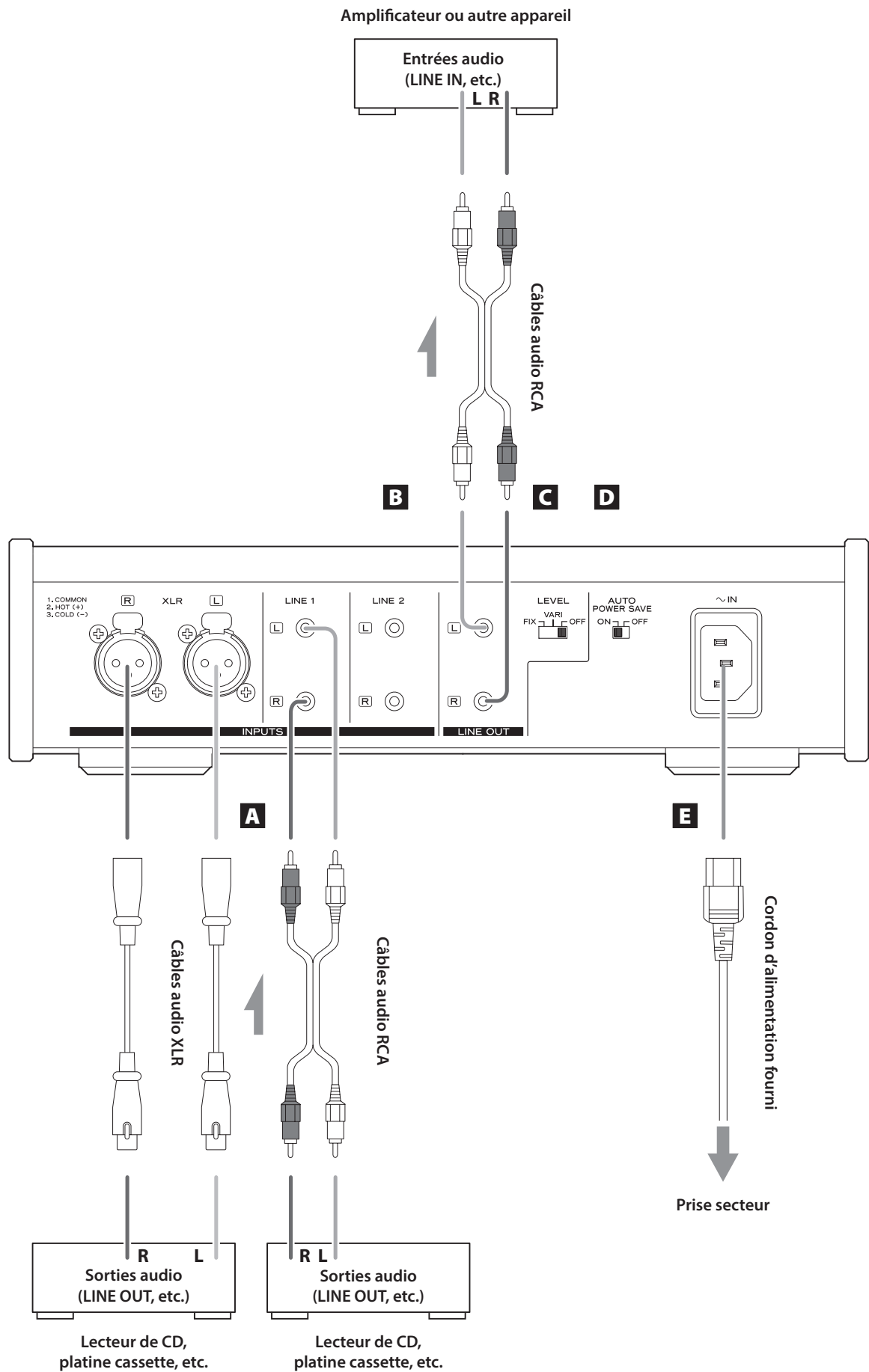
- Même quand la coupure automatique du son est activée, l'audio reste produit par les sorties LINE OUT.

## **G** Bouton VOLUME

Sert à régler le volume. Tournez-le vers la droite pour monter le volume et vers la gauche pour le baisser.

- Ramener le volume au minimum ( $-\infty$  dB) met fin à la coupure automatique du son (voir page 22).

# Branchement de l'équipement



## A Prises d'entrée audio analogique (INPUTS)

Ce sont les paires d'entrées audio analogiques pour deux canaux. Branchez-y des platines cassette, lecteurs de CD et autres appareils produisant de l'audio. Reliez les connecteurs L de cette unité aux connecteurs L des appareils de sortie audio. Reliez les connecteurs R de cette unité aux connecteurs R des appareils de sortie audio.

- Les connecteurs XLR de cette unité ont le « point chaud » sur la broche 2.

Utilisez des câbles du commerce pour faire les connexions.

XLR :	câble XLR symétrique
LINE 1 :	câble audio RCA
LINE 2 :	câble audio RCA

## B Sélecteur LEVEL

Règle le niveau de la sortie audio par les connecteurs de sortie audio analogique (LINE OUT).

FIX :	donne le même niveau en sortie qu'en entrée.
VARI :	niveau de sortie dépendant du réglage du bouton VOLUME.
OFF :	pas de sortie.

## C Prises de sortie audio analogique (LINE OUT)

C'est la paire de sorties audio analogiques pour deux canaux. Reliez-les à un amplificateur ou à un autre appareil à entrées audio.

Utilisez des câbles du commerce pour faire les connexions.



## D Commutateur AUTO POWER SAVE

Sert à mettre en ou hors service la fonction d'économie automatique d'énergie. Sur ON, sans entrée audio durant 30 à 45 minutes, l'alimentation se coupe automatiquement (dans ce cas, l'interrupteur d'alimentation POWER reste en position ON).

- Après désactivation de la fonction d'économie automatique d'énergie, basculez l'interrupteur d'alimentation POWER sur OFF puis de nouveau sur ON pour rétablir l'alimentation.

## E Prise d'entrée secteur (~IN)

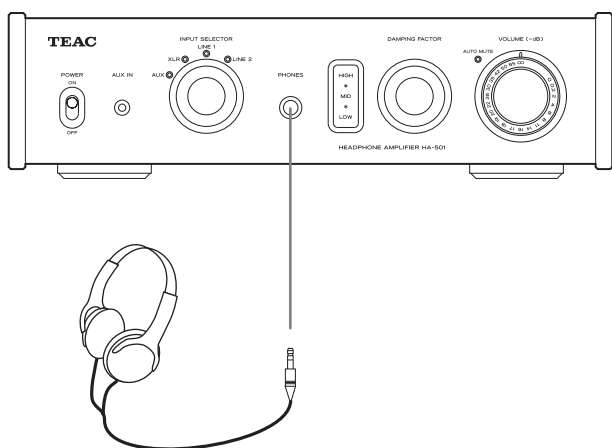
Branchez ici le cordon d'alimentation fourni. Après avoir terminé tous les autres branchements, insérez la fiche du cordon d'alimentation dans une prise secteur. Débranchez le cordon de la prise secteur en cas de non-utilisation prolongée de l'unité.

- ⚠ N'utilisez que le cordon d'alimentation fourni. L'emploi d'un autre cordon peut entraîner un incendie ou un choc électrique.

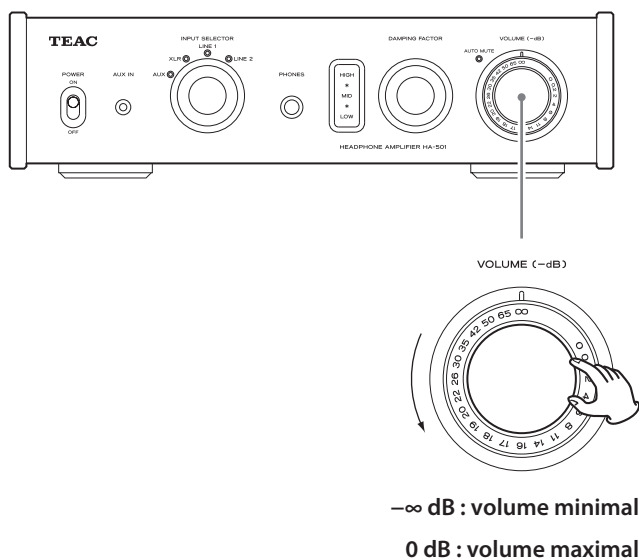
### ⚠ Ne mettez sous tension qu'une fois toutes les connexions effectuées.

- Lisez attentivement les modes d'emploi des appareils que vous branchez et suivez leurs instructions quand vous faites les branchements.
- Ne regroupez pas les câbles de connexion avec des cordons d'alimentation. Cela pourrait entraîner des bruits.
- Branchez à fond toutes les fiches.

# Branchement d'un casque



## 1 Abaissez le bouton VOLUME jusqu'à sa valeur minimale ( $-\infty$ dB).



## 2 Mettez sous tension.

## 3 Insérez la fiche du casque (jack 6,35 mm stéréo standard) dans la prise PHONES.

## 4 Montez progressivement le bouton VOLUME.

**⚠ Ne le branchez/débranchez pas et n'allumez/n'éteignez pas l'unité quand vous le portez.**

**De forts bruits soudains pourraient être produits, risquant d'endommager votre audition.**

Réduisez toujours le volume au minimum ( $-\infty$  dB) avant de mettre le casque.

## Emploi du bouton DAMPING FACTOR

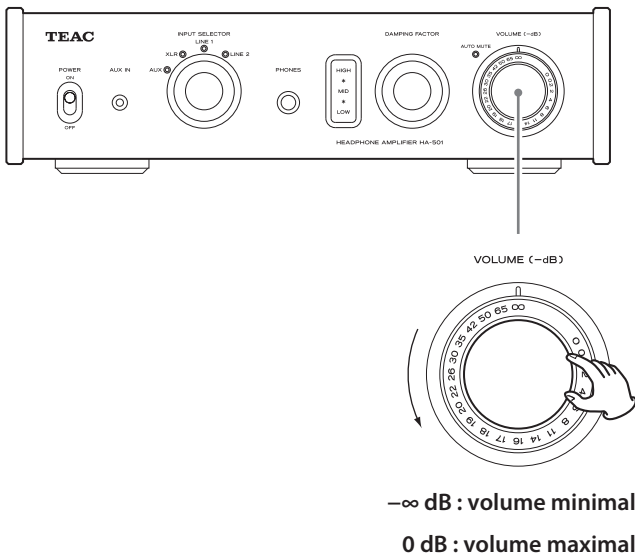
L'impédance est différente d'un modèle de casque à l'autre.

Pour vous permettre de bénéficier d'une qualité audio optimale avec divers casques, cette unité possède un bouton de facteur d'amortissement (DAMPING FACTOR). Réglez-le à votre goût en fonction du casque et de la musique.

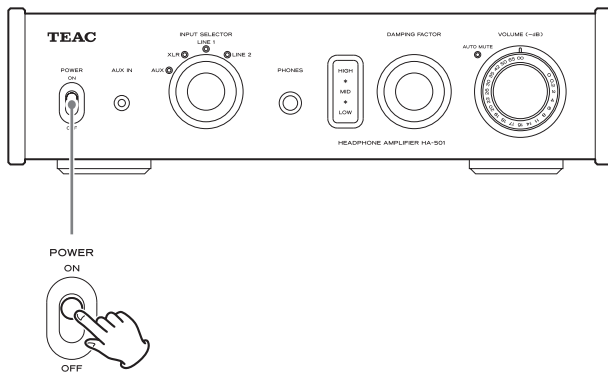
- Sur une valeur élevée, le son sera plus nerveux et plus percutant. Sur une valeur basse, le son sera plus calme et plus doux.
- Avec cette unité, utilisez un casque ayant une impédance comprise entre 16  $\Omega$  et 600  $\Omega$ .

# Fonctionnement de base

- 1** Abaissez le bouton VOLUME jusqu'à sa valeur minimale ( $-\infty$  dB).

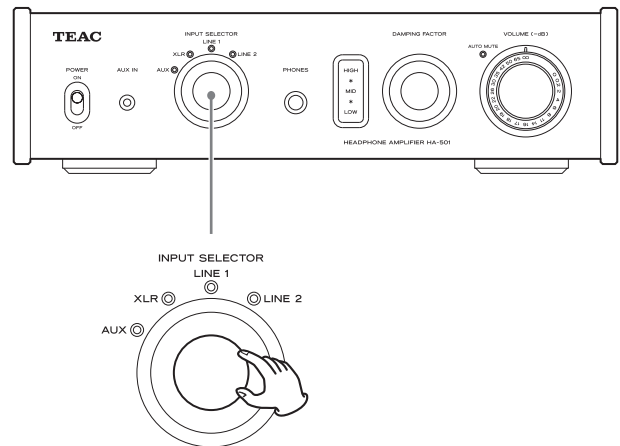


- 2** Basculez l'interrupteur d'alimentation POWER en position ON.



- Après avoir basculé l'interrupteur d'alimentation POWER sur ON, la sortie restera coupée environ dix secondes, le temps que les circuits se stabilisent. Mettez fin à la coupure automatique après environ dix secondes.
- Si vous ramenez le bouton VOLUME à son niveau minimal ( $-\infty$  dB) avant de basculer l'interrupteur d'alimentation POWER sur ON, la coupure automatique cessera après environ dix secondes et le voyant AUTO MUTE s'éteindra.

- 3** Utilisez le bouton INPUT SELECTEUR pour choisir la source d'entrée.

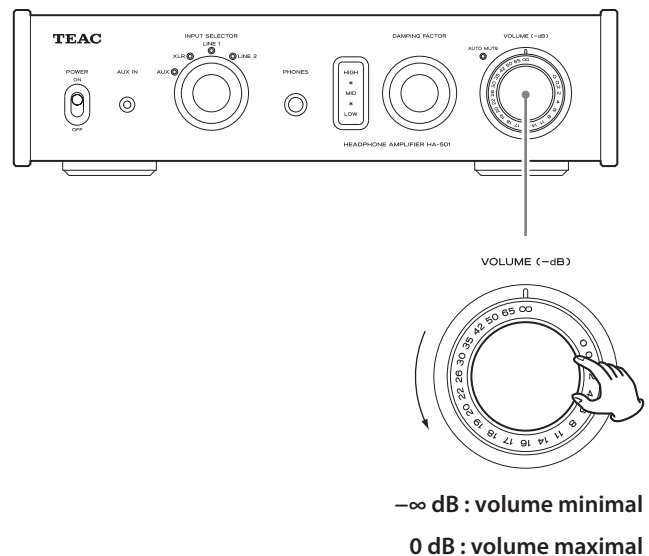


Le voyant de la source d'entrée sélectionnée s'allume.

- 4** Faites jouer l'appareil source.

Référez-vous au mode d'emploi de cet appareil.

- 5** Réglez le volume.

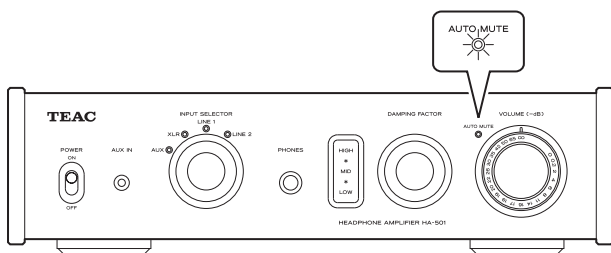


Utilisez le bouton VOLUME pour régler un niveau de volume optimal.

## Coupure automatique du son

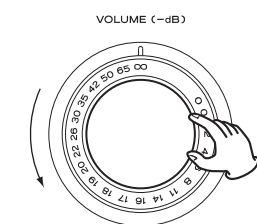
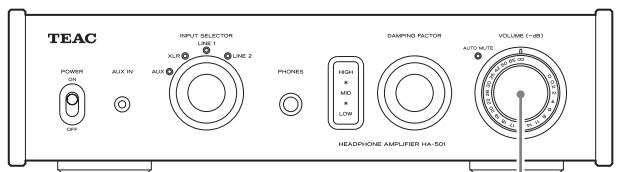
Pour protéger votre audition et votre casque de tout dommage causé par un volume excessif, cette unité a une fonction de coupure automatique du son. Les actions suivantes amènent l'unité à automatiquement couper le son quel que soit le réglage du bouton VOLUME. Le voyant AUTO MUTE s'allume quand cette fonction est activée.

- À la mise sous tension
- Quand une fiche de casque est insérée ou extraite de la prise PHONES



## Fin de la coupure automatique du son

Ramenez le bouton VOLUME sur sa valeur minimale ( $-\infty$  dB) pour mettre fin à la coupure automatique du son. Le voyant AUTO MUTE s'éteindra.



$-\infty$  dB : volume minimal  
0 dB : volume maximal

## Guide de dépannage

Si vous avez des problèmes avec cette unité, veuillez vérifier les points suivants avant de demander une intervention. Si elle ne fonctionne toujours pas correctement, contactez le revendeur qui vous a vendu l'unité ou le service clientèle TEAC (coordonnées au dos).

### L'unité ne s'allume pas.

- ➔ Vérifiez que le cordon d'alimentation est complètement enfoncé dans la prise secteur. Si la prise a un commutateur, vérifiez que celui-ci est en position ON.
- ➔ Branchez un autre appareil électrique à la prise pour vérifier qu'elle fournit bien du courant.
- ➔ Si la fonction d'économie automatique d'énergie a coupé l'alimentation, basculez l'interrupteur d'alimentation POWER sur OFF puis de nouveau sur ON pour la rétablir (page 19).

### Aucun son n'est produit.

- ➔ Si le voyant AUTO MUTE est allumé, ramenez le bouton VOLUME à sa valeur minimale ( $-\infty$  dB), puis montez progressivement le niveau de volume.
- ➔ Réglez le bouton VOLUME.
- ➔ Avec INPUT SELECTOR, sélectionnez l'entrée à laquelle est branchée la source que vous désirez entendre.
- ➔ Re-vérifiez les branchements aux autres équipements.

### Il y a un bruit de ronflement.

- ➔ Si un câble de liaison est proche d'un cordon d'alimentation, d'un éclairage fluorescent ou d'une cause de parasites similaire, écartez-les autant que possible l'un de l'autre.

### Il n'y a pas de son d'un côté du casque.

- ➔ Vérifiez que la fiche du casque est enfoncée à fond.

# Caractéristiques techniques

## Amplificateur

### Entrées

Connecteurs XLR 1 paire (broche 2 : point chaud)  
Impédance d'entrée ..... 20 k $\Omega$   
Sensibilité d'entrée ..... 2 Vrms

Prises RCA 2 paires (LINE 1, LINE 2)  
Impédance d'entrée ..... 10 k $\Omega$   
Sensibilité d'entrée ..... 1 Vrms

AUX Mini-jack 3,5 mm stéréo  
Impédance d'entrée ..... 13 k $\Omega$   
Sensibilité d'entrée ..... 0,5 Vrms

### Sorties

Casque Jack 6,35 mm stéréo standard  
Plage de réglage d'impédance ..... 16 - 600  $\Omega$   
Sortie maximale efficace ..... 1400 mW + 1400 mW  
(sous impédance de 32  $\Omega$ )  
135 mW + 135 mW  
(sous impédance de 600  $\Omega$ )  
Sortie nominale ..... 600 mW + 600 mW  
(sous impédance de 32  $\Omega$ )  
34 mW + 34 mW  
(sous impédance de 600  $\Omega$ )  
Distorsion harmonique totale ..... 0,01% ou moins  
(20 Hz - 20 kHz, sous impédance de 32  $\Omega$ )  
Rapport signal/bruit ..... 110 dB  
(pondération A, entrée RCA 2 Vrms, 1 kHz)  
Réponse en fréquence ..... 10 Hz - 100 kHz  $\pm$ 3 dB

Prises RCA 1 paire de niveau ligne  
Impédance de sortie ..... 100  $\Omega$   
Niveau standard de tension de sortie ..... 316 mV

## Générales

Alimentation électrique ..... CA 220 - 240 V, 50 Hz

Consommation électrique ..... 22 W

Dimensions (L x H x P) (hors tout)  
290 mm x 81,2 mm x 244 mm

Poids ..... 4,1 kg

Température de fonctionnement ..... +5°C à +35°C

Hygrométrie de fonctionnement ..... 5 - 85%  
(sans condensation)

Température de stockage ..... -20°C à +55°C

## Accessoires fournis

Cordon d'alimentation x 1  
Mode d'emploi (ce document) x 1  
Carte de garantie x 1


- Caractéristiques techniques et aspect sont sujets à changements sans préavis.
- Le poids et les dimensions sont des valeurs approchées.
- Les illustrations de ce mode d'emploi peuvent légèrement différer des modèles de production.

FR


- No exponga este aparato a salpicaduras ni goteras.
- No coloque objetos que contengan líquidos, como por ejemplo jarrones, sobre el aparato.
- No instale este aparato en lugares cerrados tales como estanterías o similares.
- Este aparato libera corriente nominal no válida para el funcionamiento a través de la toma de corriente, aún cuando el interruptor de encendido y activación (POWER o STANDBY/ON) no esté en la posición de encendido (ON).
- Este aparato debe situarse lo suficientemente cerca de una toma de electricidad como para poder alcanzar fácilmente el cable de corriente en cualquier momento.
- El enchufe que se conecta a la red es el dispositivo de desconexión, por lo que deberá permanecer siempre en perfecto estado de uso.
- Los productos con construcción de Clase I están equipados con un cable de alimentación que tiene conexión de tierra. El cable de estos productos deberá conectarse a una toma de corriente que tenga conexión de protección de tierra.
- Si el producto utiliza pilas (esto incluye las pilas instaladas y los "packs" de pilas), se evitará su exposición directa al sol, al fuego o a cualquier otra fuente de calor excesivo.
- PRECAUCIÓN con los productos que emplean baterías de litio reemplazables: existe peligro de explosión si la batería se reemplaza por otra de tipo incorrecto. Reemplácela sólo por otra igual o de tipo equivalente.
- Deberá llevar cuidado si utiliza auriculares con este producto, ya que una excesiva presión sonora (volumen) procedente de los mismos puede causar pérdidas de audición.

## Para consumidores europeos

### Deshacerse de aparatos eléctricos y electrónicos

- Todos los aparatos eléctricos y electrónicos deben ser eliminados separados del resto de basura común y únicamente en los "puntos limpios" o bajo los procedimientos especificados por el gobierno o autoridades municipales locales.
- Con la eliminación correcta de los equipos eléctricos y electrónicos estará ayudando a conservar recursos muy valiosos y a evitar los posibles efectos negativos en la salud humana y en el medio ambiente.
- La eliminación incorrecta de los equipos eléctricos y electrónicos puede producir efectos muy dañinos en el medio ambiente y en la salud humana a causa de las sustancias peligrosas que pueden encontrarse en estos equipos.
- El símbolo de Eliminación de Aparatos Eléctricos y Electrónicos (WEEE en inglés), identificado por un cubo de basura con ruedas tachado, indica que los equipos eléctricos y electrónicos deben ser eliminados de forma totalmente independiente con respecto a la basura doméstica. 
- Existen sistemas para la eliminación y recogida de este tipo de aparatos a disposición del usuario final. Si necesita más información acerca de la forma de deshacerse de aparatos eléctricos y electrónicos antiguos, póngase en contacto con su Ayuntamiento, con la correspondiente empresa del servicio de recogida de residuos o con el comercio en el que adquirió ese aparato.

### Deshacerse de pilas y/o acumuladores

- Las pilas y/o acumuladores gastados deben ser eliminados separados del resto de basura común y únicamente en los "puntos de recogida" o bajo los procedimientos especificados por el gobierno o autoridades municipales locales.
- Con la eliminación correcta de las pilas y/o acumuladores gastados estará ayudando a conservar recursos muy valiosos y a evitar los posibles efectos negativos en la salud humana y en el medio ambiente.
- La eliminación incorrecta de las pilas y/o acumuladores gastados puede producir efectos muy dañinos en el medio ambiente y en la salud humana con motivo de las sustancias peligrosas que pueden encontrarse en estos equipos.
- El símbolo WEEE, identificado por un cubo de basura con ruedas tachado, indica que las pilas y/o acumuladores gastados deben ser eliminados de forma totalmente independiente con respecto a la **Pb, Hg, Cd** basura doméstica.   
Si una pila o un acumulador contienen más cantidad de los valores especificados de plomo (Pb), mercurio (Hg), y/o cadmio (Cd) según está definido en la Directiva relativa a las pilas (2006/66/EC), entonces los símbolos químicos correspondientes a estos elementos estarán indicados debajo del símbolo WEEE.
- Existen sistemas para la eliminación y recogida a disposición del usuario final. Si necesita más información acerca de la forma de eliminar pilas y/o acumuladores gastados, póngase en contacto con su Ayuntamiento, con la correspondiente empresa del servicio de recogida de residuos o con el comercio donde se adquirieron.



## Índice

---

Gracias por elegir TEAC. Leas este manual atentamente para obtener el mejor rendimiento de esta unidad.

Accesorios incluidos .....	25
Antes de su utilización .....	26
Mantenimiento .....	26
Nombres y funciones de las partes .....	27
Conexión del equipo .....	28
Conexión de los auriculares .....	30
Funcionamiento básico .....	31
Silenciamiento automático .....	32
Solución de posibles fallos .....	32
Especificaciones .....	33

## Accesorios incluidos

---

Asegúrese de que la caja contiene todos los accesorios descritos a continuación.

Por favor, póngase en contacto con el establecimiento donde adquirió esta unidad si falta alguno de estos accesorios o si alguno de ellos ha resultado dañado durante el transporte.

### **Cable de corriente × 1**

### **Manual del usuario (este documento) × 1**

- Conserve este manual en un lugar seguro para futuras consultas.

### **Tarjeta de garantía × 1**

ES

## Antes de su utilización

---

### Precauciones de emplazamiento

- No coloque nada sobre la unidad.
- Evite colocar la unidad donde reciba directamente la luz del sol o cerca de cualquier fuente de calor, como por ejemplo un radiador, calefactor, chimenea o amplificador. Evite también lugares que estén sujetos a vibraciones o expuestos a polvo, frío o humedad excesivos.
- Coloque la unidad en un emplazamiento estable cerca del equipo de audio con el que vaya a utilizarla.
- No mueva la unidad durante su utilización.
- El voltaje suministrado a la unidad deberá coincidir con el voltaje impreso en el panel posterior. Si tiene dudas al respecto, consulte a un electricista.
- Como la unidad puede calentarse durante el funcionamiento, deje siempre suficiente espacio a su alrededor para la ventilación. Cuando la sitúe, colóquela de modo que exista una separación de al menos 3 cm con las paredes y otros aparatos para permitir una buena disipación del calor. Si la instala en un rack, deje al menos 5 cm libres por encima de la unidad y 10 cm libres por detrás.
- No abra la carcasa ya que podría causar daños en los circuitos o una descarga eléctrica. Si se introduce un objeto extraño en la unidad, contacte con su distribuidor o con un servicio técnico TEAC autorizado.
- Cuando desenchufe el cable de corriente de una toma de electricidad, tire siempre directamente del conector, nunca del cable.
- Dependiendo de las ondas electromagnéticas de las emisiones de televisión, pueden aparecer interferencias en las pantallas de las televisiones cuando esta unidad esté encendida. Esto no significa ninguna anomalía de funcionamiento ni en la unidad ni en la televisión. Si esto ocurre, apague esta unidad.

### Precaución de uso

Cualquier escucha a alto volumen durante mucho tiempo puede causarle daños auditivos. Para proteger sus oídos, lleve cuidado de no poner el volumen demasiado alto cuando escuche con auriculares durante un tiempo prolongado.

## Mantenimiento

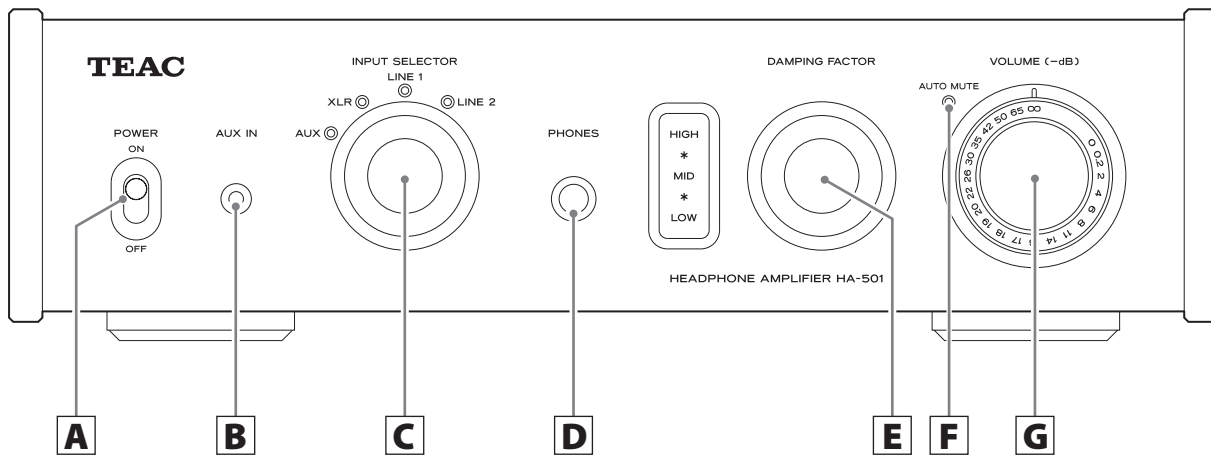
---

Si la superficie de la unidad se ensucia, límpiela con un paño suave y seco. Si la unidad se ensucia mucho, humedezca ligeramente un paño suave con un limpiador neutro diluido y escurra por completo cualquier exceso de líquido que pueda quedar antes de utilizar el paño para limpiar la unidad.

### Por su seguridad, desconecte el cable de corriente de la toma eléctrica antes de proceder a la limpieza.

- Nunca aplique ni rocíe líquidos directamente sobre esta unidad.
- No use disolvente ni alcohol, ya que pueden dañar la superficie de la unidad.
- Evite que materiales plásticos o de goma entren en contacto con este producto durante periodos de tiempo prolongados porque pueden dañar la carcasa.

# Nombres y funciones de las partes



## **A** Interruptor POWER

Se utiliza para encender (ON) y apagar (OFF) la unidad.

## **B** Terminal de entrada de audio analógico (AUX IN)

Es una entrada de jack de audio analógico de dos canales.

Use un mini-jack estéreo de 3.5 mm (1/8") para conectar la salida de audio de un reproductor de música portátil, por ejemplo, a esta unidad.

Use cables de los disponibles en establecimientos comerciales para realizar las conexiones.

## **C** Mando giratorio INPUT SELECTOR

Utilícelo para seleccionar la fuente de entrada. Se ilumina el indicador luminoso que hay junto a la fuente de entrada seleccionada.

## **D** Salida de auriculares PHONES

Conecte aquí unos auriculares con un jack estéreo estándar de 6.3 mm (1/4") (ver página 30).

## **E** Mando giratorio DAMPING FACTOR

El ajuste de "Damping Factor" (factor de amortiguamiento) cambiará la calidad del audio dependiendo de los auriculares que esté utilizando, de la música que esté escuchando y de otros factores. Ajústelo a su gusto (Ver página 30).

- Utilícelo con precaución, porque al cambiar el "Damping Factor" o Factor de Amortiguamiento se puede producir un notable aumento del volumen.

## **F** Indicador AUTO MUTE

Se ilumina cuando está activo el silenciamiento automático (Ver página 32).

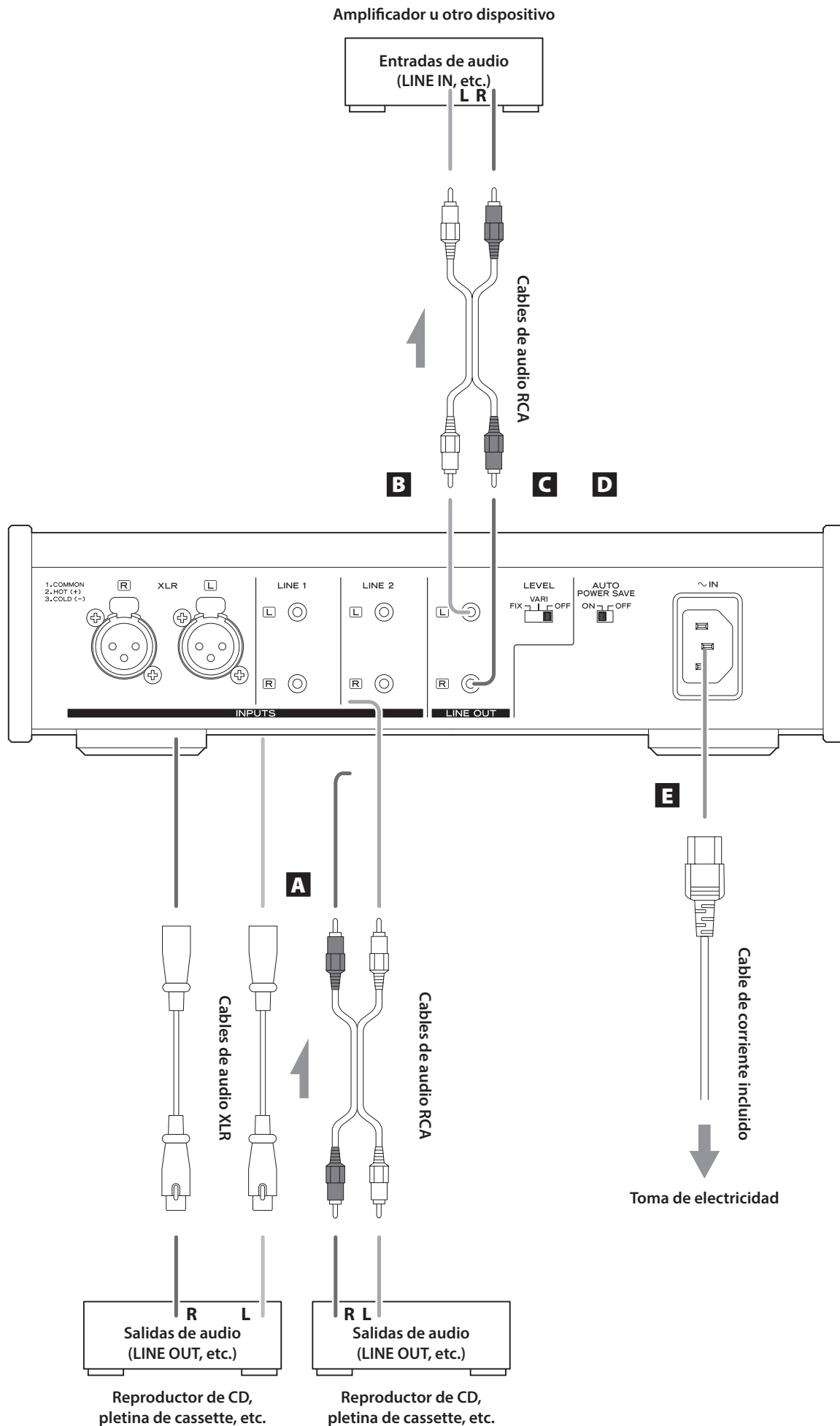
- Por las salidas de línea LINE OUT sale audio, incluso aunque esté activo el silenciamiento automático.

## **G** Mando giratorio VOLUME

Úselo para ajustar el volumen. Gírelo hacia la derecha para subir el volumen y hacia la izquierda para bajarlo.

- Minimizar el volumen ( $-\infty$  dB) finaliza el silenciamiento automático (ver página 32).

# Conexión del equipo



## A Terminales de entrada de audio analógico (INPUTS)

Son entradas de audio analógico de dos canales cada una. Conecte aquí pletinas de cassette, reproductores de CD y otros dispositivos con salidas de audio.

Conecte los terminales "L" (izquierda) de esta unidad a los terminales "L" de los dispositivos de salida de audio. Conecte los terminales "R" (derecha) de esta unidad a los terminales "R" de los dispositivos de salida de audio.

- Los terminales XLR de esta unidad están configurados con el pin 2 como "vivo".

Use cables de los disponibles en establecimientos comerciales para realizar las conexiones.

XLR:	Cables XLR balanceados
LINE 1:	Cable de audio RCA
LINE 2:	Cable de audio RCA

## B Interruptor LEVEL

Determina el nivel del audio que sale por los terminales de salida de audio analógico (LINE OUT).

FIX:	Nivel de salida igual al de entrada.
VARI:	Nivel de salida de acuerdo al ajuste del mando giratorio VOLUME.
OFF:	Salida desactivada.

## C Terminales de salida de audio analógico (LINE OUT)

Es una salida de audio analógico de dos canales. Conecte estos terminales a un amplificador u otro dispositivo con entradas de audio.

Use cables de los disponibles en establecimientos comerciales para realizar las conexiones.



## D Interruptor AUTO POWER SAVE

Utilícelo para activar (ON) y desactivar (OFF) la función de ahorro de energía automático. Cuando esta función está activada, si no se produce ninguna entrada de audio durante un periodo de 30 a 45 minutos, la unidad se apagará automáticamente (el interruptor POWER permanecerá en su posición de encendido si esto ocurre).

- Después de que la función de ahorro de energía automático ha apagado la unidad, cambie el interruptor POWER a la posición de apagado y después vuelva a ponerlo en la posición de encendido para encender la unidad otra vez.

## E Entrada de corriente (~IN)

Inserte aquí el cable de corriente incluido. Una vez terminadas todas las demás conexiones, enchufe el cable de corriente a la toma de electricidad.

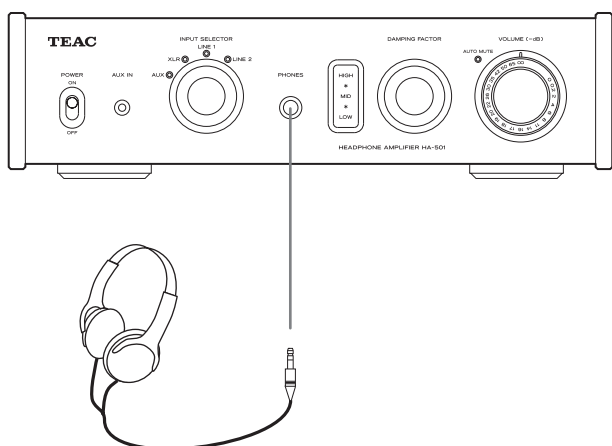
Desenchufe el cable de corriente de la toma de electricidad si no va a usar la unidad durante un periodo prolongado de tiempo.

- ⚠ Use exclusivamente el cable de corriente incluido. La utilización de un cable diferente puede causar fuego o descargas eléctricas.

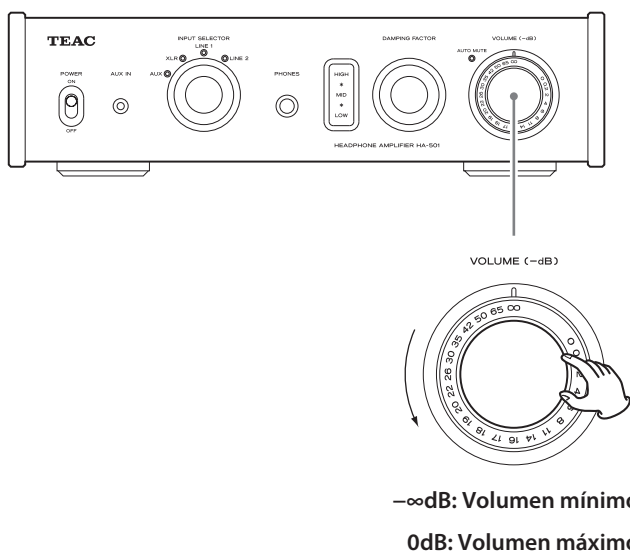
### ⚠ No encienda la unidad hasta que estén hechas todas las conexiones.

- Lea atentamente los manuales de los dispositivos que esté conectando y siga sus instrucciones cuando haga las conexiones.
- No agrupe ni mezcle los cables de las conexiones con cables de corriente. Si lo hace puede originarse ruido.
- Inserte todos los conectores completamente.

## Conexión de los auriculares



### 1 Gire el mando VOLUME hasta su valor mínimo ( $-\infty$ dB).



### 2 Encienda (ON) la unidad.

### 3 Inserte el jack de los auriculares, estéreo estándar de 6.3 mm (1/4"), en la salida de auriculares PHONES.

### 4 Ajuste gradualmente el mando VOLUME.

**⚠ No conecte ni desconecte los auriculares ni encienda (ON) ni apague (OFF) la unidad mientras tenga los auriculares puestos.**

**Pueden producirse ruidos repentinos a alto volumen y causarle daños auditivos.**

Ponga siempre el volumen al mínimo ( $-\infty$  dB) antes de ponerse los auriculares.

## Utilización del mando giratorio DAMPING FACTOR

La impedancia difiere según los distintos modelos de auriculares.

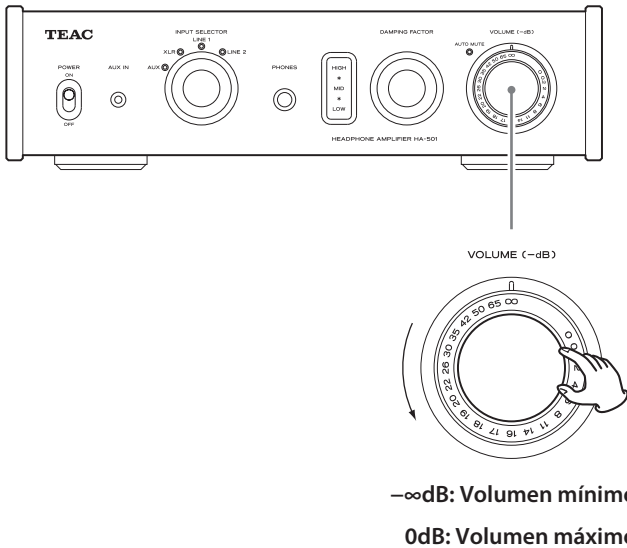
Para que pueda disfrutar de una calidad de audio óptima con una gran variedad de auriculares, esta unidad tiene un mando giratorio que regula el Factor de Amortiguación (DAMPING FACTOR).

Ajústelo como usted quiera de acuerdo con los auriculares utilizados y la música que escuche.

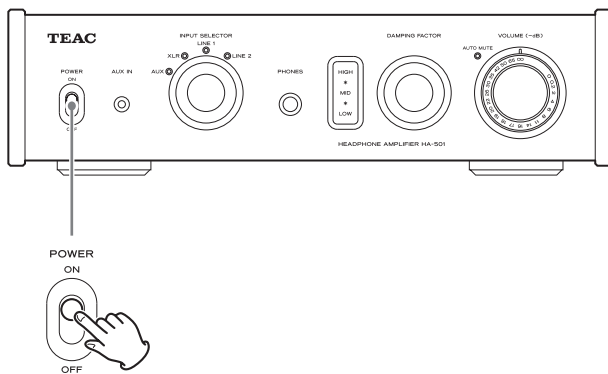
- Cuando se pone en un valor alto, el sonido es más nítido y más vivo. Cuando se pone en un valor bajo, el sonido es más calmado y más suave.
- Use auriculares con valores de impedancia entre  $16 \Omega$  y  $600 \Omega$  con esta unidad.

# Funcionamiento básico

- 1** Gire el mando VOLUME hasta su valor mínimo ( $-\infty$  dB).

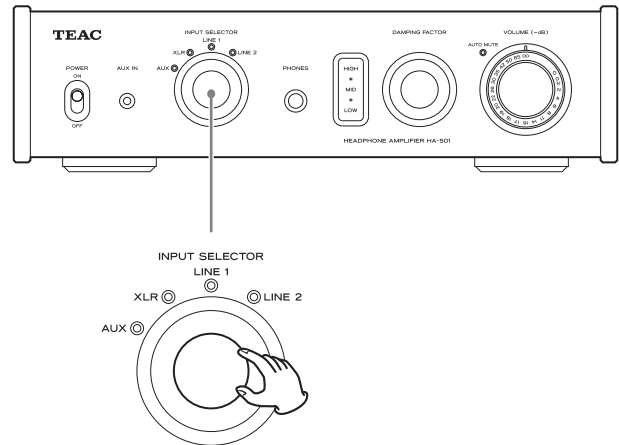


- 2** Ponga el interruptor POWER en su posición de encendido (ON).



- Después de poner el interruptor POWER en su posición de encendido (ON), la salida permanecerá silenciada durante unos diez segundos mientras el circuito se estabiliza. El silenciamiento automático finalizará después de unos diez segundos.
- Si gira el mando VOLUME hasta su nivel mínimo ( $-\infty$  dB) antes de poner el interruptor POWER en su posición de encendido (ON), el silenciamiento automático finalizará después de diez segundos y el indicador AUTO MUTE se apagará.

- 3** Utilice el mando INPUT SELECTOR para determinar la fuente de entrada.

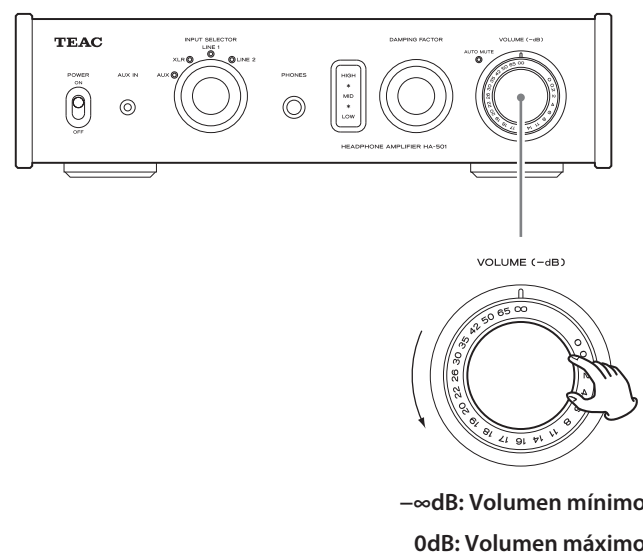


El indicador correspondiente a la fuente de entrada seleccionada se iluminará.

- 4** Ponga a funcionar el dispositivo de reproducción.

Remítase al manual de instrucciones de dicho dispositivo.

- 5** Ajuste el volumen.

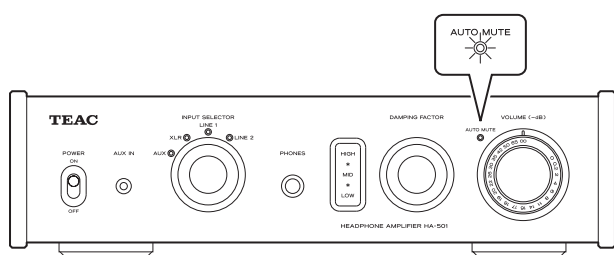


Utilice el mando VOLUME para ajustar el volumen en su nivel óptimo.

## Silenciamiento automático

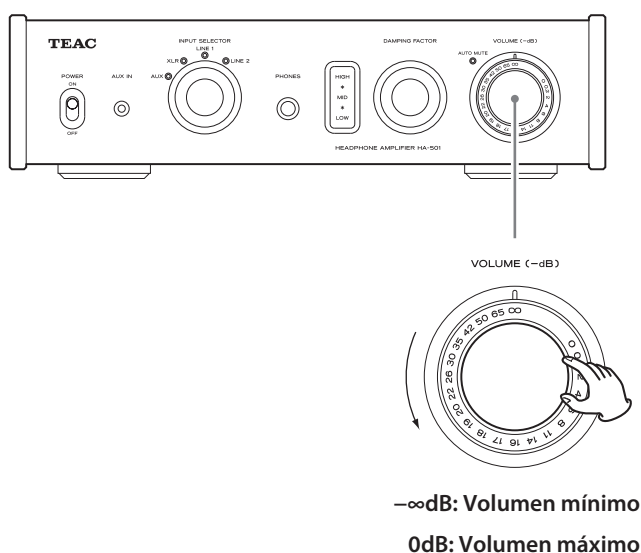
Para proteger sus oídos y los auriculares de posibles daños a causa de un excesivo volumen, esta unidad tiene una función de silenciamiento automático. Las acciones enumeradas a continuación hacen que la unidad se silencie automáticamente independientemente del ajuste que tenga el mando giratorio VOLUME. El indicador AUTO MUTE se ilumina cuando esta función está activa.

- Cuando se enciende la unidad (ON)
- Cuando se conectan o desconectan unos auriculares en la salida de auriculares PHONES



## Fin del silenciamiento automático

Gire el mando VOLUME hasta su valor mínimo ( $-\infty$  dB) para finalizar el silenciamiento automático. Se apagará entonces el indicador AUTO MUTE.



## Solución de posibles fallos

Si tiene problemas con esta unidad, por favor compruebe los siguientes puntos antes de solicitar asistencia técnica. Si aún así no se restablece el funcionamiento correcto, póngase en contacto con el establecimiento donde compró la unidad o con el servicio de soporte al cliente de TEAC (consulte la contraportada donde encontrará la información de contacto).

### La unidad no se enciende.

- ➔ Compruebe que el enchufe del cable de corriente está insertado completamente en la toma de electricidad. Si dicha toma tiene un interruptor de activación, confirme que el interruptor está en la posición de encendido (ON).
- ➔ Enchufe otro aparato eléctrico diferente en la toma de electricidad para confirmar que llega corriente a la misma.
- ➔ Si la función de ahorro de energía automático ha apagado la unidad, cambie el interruptor POWER a la posición de apagado y después vuelva a ponerlo en la posición de encendido para encender la unidad otra vez (página 29).

### No sale sonido.

- ➔ Si el indicador AUTO MUTE está iluminado, gire el mando VOLUME hasta su valor mínimo ( $-\infty$  dB) y después suba gradualmente el nivel del volumen.
- ➔ Ajuste el mando giratorio VOLUME.
- ➔ Utilice el selector INPUT SELECTOR para seleccionar la entrada que esté conectada a la fuente que desee escuchar.
- ➔ Revise las conexiones con los demás componentes del equipo.

### Hay un ruido o zumbido.

- ➔ Si algún cable de conexión está cerca de un cable de corriente, de un fluorescente o de una causa de interferencias similar, aumente la distancia entre ambos lo más posible.

### No hay sonido en un lado de los auriculares.

- ➔ Confirme que el jack está insertado por completo en el terminal de salida PHONES.



# Especificaciones

## Amplificador

### Entradas

Conectores XLR 1 par (2: VIVO)  
Impedancia de entrada ..... 20 k $\Omega$   
Sensibilidad de entrada ..... 2 Vrms

Terminales RCA 2 pares (LINE 1, LINE 2)  
Impedancia de entrada ..... 10 k $\Omega$   
Sensibilidad de entrada ..... 1 Vrms

AUX Mini-jack estéreo de 3.5 mm  
Impedancia de entrada ..... 13 k $\Omega$   
Sensibilidad de entrada ..... 0.5 Vrms

### Salidas

Auriculares Jack estándar estéreo de 6.3 mm  
Rango de impedancia ajustable ..... 16 - 600  $\Omega$   
Salida máxima efectiva ..... 1400 mW + 1400 mW  
(a 32  $\Omega$  de impedancia)  
135 mW + 135 mW  
(a 600  $\Omega$  de impedancia)  
Salida nominal ..... 600 mW + 600 mW  
(a 32  $\Omega$  de impedancia)  
34 mW + 34 mW  
(a 600  $\Omega$  de impedancia)  
Distorsión armónica total ..... 0.01% o menos  
(20 Hz - 20 kHz, a 32  $\Omega$  de impedancia)  
Relación señal/ruido ..... 110 dB  
(Ponderado A, 2 Vrms entradas RCA, 1 kHz)  
Rango de frecuencias ..... 10 Hz - 100 kHz  $\pm$ 3 dB

Jacks RCA Línea de 1 par  
Impedancia de salida ..... 100  $\Omega$   
Nivel de voltaje de salida estándar ..... 316 mV

## General

Alimentación de corriente ..... CA 220 - 240 V, 50 Hz

Consumo de corriente ..... 22 W

Dimensiones (ancho  $\times$  alto  $\times$  profundo) (incluyendo salientes)  
290 mm  $\times$  81.2 mm  $\times$  244 mm

Peso ..... 4.1 kg

Margen operativo de temperatura ..... de +5°C a +35°C

Margen operativo de humedad ..... 5 - 85%  
(sin condensación)

Temperatura de almacenamiento ..... de -20°C a +55°C

## Accesorios incluidos

Cable de corriente  $\times$  1  
Manual del usuario (este documento)  $\times$  1  
Tarjeta de garantía  $\times$  1

- Las especificaciones y el diseño están sujetos a cambios sin previo aviso.
- El peso y las dimensiones son aproximados.
- Las ilustraciones que aparecen en este manual del usuario pueden diferir ligeramente de los modelos de producción.





# TEAC

---

TEAC CORPORATION	1-47 Ochiai, Tama-shi, Tokyo 206-8530 Japan	Phone: +81-42-356-9156
TEAC AMERICA, INC.	7733 Telegraph Road, Montebello, California 90640 U.S.A.	Phone: +1-323-726-0303
TEAC MEXICO, S.A. DE C.V.	Río Churubusco 364, Colonia Del Carmen, Delegación Coyoacán, CP 04100, México DF, México	Phone: +52-55-5010-6000
TEAC AUDIO EUROPE	Liegnitzer Straße 6, 82194 Gröbenzell, Germany	Phone: +49-8142-4208-141

---

This device has a serial number located on its rear panel. Please record the serial number and retain it for your records.

Model name: HA-501      Serial number: \_\_\_\_\_