



XP PRO UPS

1000 / 1500 / 2000 / 2500 / 3000VA



USER GUIDE	1
NOTICE D'UTILISATION	13

CONTENTS

1	IMPORTANT SAFETY INSTRUCTIONS	1
2	CAUTION	2
3	INTRODUCTION	3
3.1	System Description	3
3.2	Features	3
4	SYSTEM CONCEPT	4
4.1	Block Diagram	4
4.2	Normal Operation	4
4.3	AC Utility Failure	4
5	OVERVIEW	5
5.1	Front Panel	5
5.2	Rear Panel	5
5.3	Position	7
6	INSTALLATION AND OPERATION	8
7	COMPUTER INTERFACE	9
8	BATTERY FACTS	10
9	SPECIFICATIONS	11
10	TROUBLE SHOOTING	12

SOMMAIRE

1	IMPORTANT	13
2	AVERTISSEMENT	14
3	INTRODUCTION	15
3.1	Description Générale	15
3.2	Caractéristiques.....	15
4	PRINCIPE DE FONCTIONNEMENT	16
4.1	Diagramme	16
4.2	Fonctionnement normal : Mode Secteur.....	16
4.3	Mode Batterie	16
5	DESCRIPTION	17
5.1	Face Avant	17
5.2	Face Arrière	17
5.3	Positionnement.....	19
6	INSTALLATION ET MISE EN OEUVRE	20
7	INTERFACE DE COMMUNICATION	21
8	BATTERIE	22
9	SPECIFICATIONS	23
10	DEPANNAGE	24



User guide

1 IMPORTANT SAFETY INSTRUCTIONS

Thank you for selecting this uninterruptible power system (UPS) XP PRO series. It will provide you with better protection for your connected equipment.

Please read this manual !

This manual informs you about safety, installation and operating instructions that will help you derive the fullest performance from the UPS..

Please save this manual !

It includes important instructions for the safe and good use of this UPS.
Should the UPS fail to function correctly we recommend to contact your local service center.

Please save or recycle the packaging materials!

The UPS shipping materials were designed with great care to provide protection from transportation related damage. Please keep the original packaging. In case of return to the after-sales service, it will be required.

Damage sustained during transit is not covered under the warranty.

2 CAUTION

- The UPS contains voltages that are potentially hazardous. All repairs should be performed by qualified service personal.
- The UPS has its own internal energy source (battery). The output receptacles may be alive even when the UPS is not connected to an AC supply.
- **Do not plug laser printer.**
- The UPS is suitable only to computers and electronic equipment with substantially rectifier or capacitive loads. It is not suitable to electronic equipment with significant inductive loads, such as motors & fluorescent lamps.
- **Be sure to operate within the power rating of the UPS. Below 1/2 or 1/3 of rated power is recommended for longer backup time & longer battery life.**
- Do not place the UPS near excessive humidity, under sunshine, or close to heat-emitting sources.
- If the UPS is out of order, please unplug power cord and consult your dealer right away. Do not remove cover if there is no serviceable part inside.
- The unit should be supplied by grounded source. Do not operate the unit without ground source.
- The socket-outlet should be installed near the equipment and be easily accessible.
- Do not plug the UPS power cord into itself. That will result in a safety hazard.
- Installation should be performed by a qualified technician or electrician in accordance with local electrical codes.

3 INTRODUCTION

3.1 System Description

The XP PRO product is line interactive UPS with the newest technology and powerful function. The Line Interactive UPS with AVR function allows input voltage range from 75% to 125%, including on line voltage boost-up & buck down. An ideal protection equipment for critical connected loads.

In addition, this UPS provides advanced single telephone line or modem surge suppression through the modular connectors on the back panel.

The XP PRO UPS and RUPS 2000 monitoring software make your computer operate intelligent and provide you with the ability of a perfect protection of your critical devices.

3.2 Features

- Line interactive design.
- User-friendly LCD display.
- Provides boost and buck AVR to stabilize input voltage.
- Provides lightning, surge, overload, and short-circuit protection.
- Built-in battery charger and battery over drain protection.
- No load auto shutdown (Dip switch set up).
- Load level and Battery level display.
- Buzzer alarm auto-reset (Dip switch set up).
- Auto restart when AC recovery.
- Cold start function (Dip switch set up).
- Tel / Modem / Fax protection against power surge.
- Bundle software : Automatically save your valuable files before auto shutdown.

4 SYSTEM CONCEPT

The purpose to present this chapter is to give you more precise conception about how UPS works.

4.1 Block Diagram

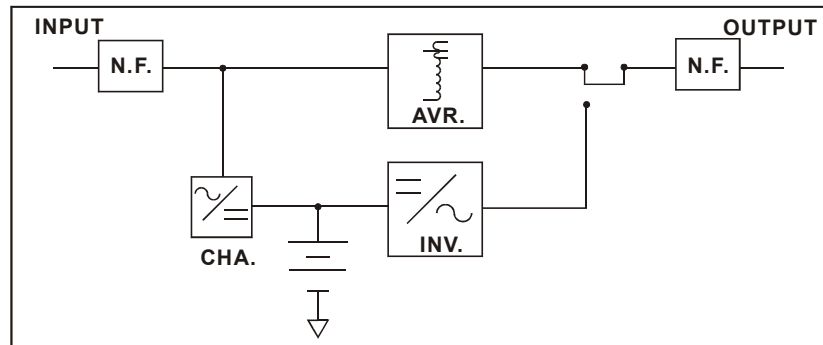


Fig. 1 shows how UPS works.

4.2 Normal Operation

There are two main loops when AC utility is normal : the AC output loop and the battery charging loop. The AC output gets power from AC utility input and pass through AVR to support power to load. In the same time, the AC utility input is converted by AC/DC CHA and support charging power to charge batteries.

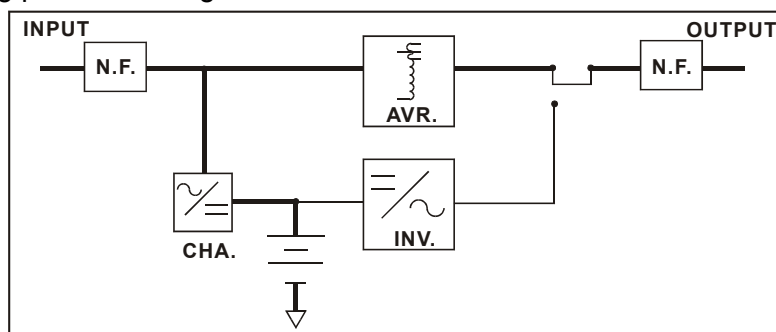


Fig. 2 shows how the UPS works when AC Utility normal.

4.3 AC Utility Failure

If AC utility fails, the UPS quickly detects the problem and activates the inverter. The DC/AC inverter changes DC power from the batteries into AC and provides continuous uninterruptible power to load.

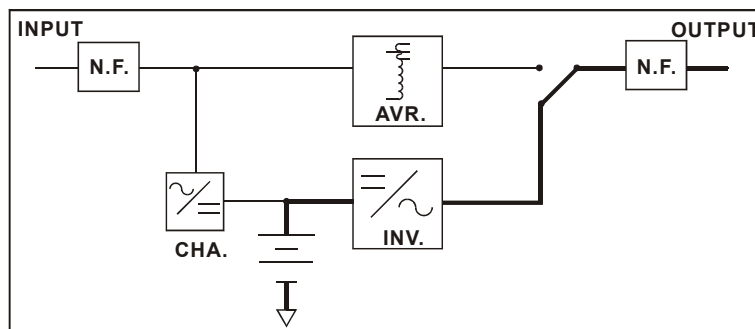
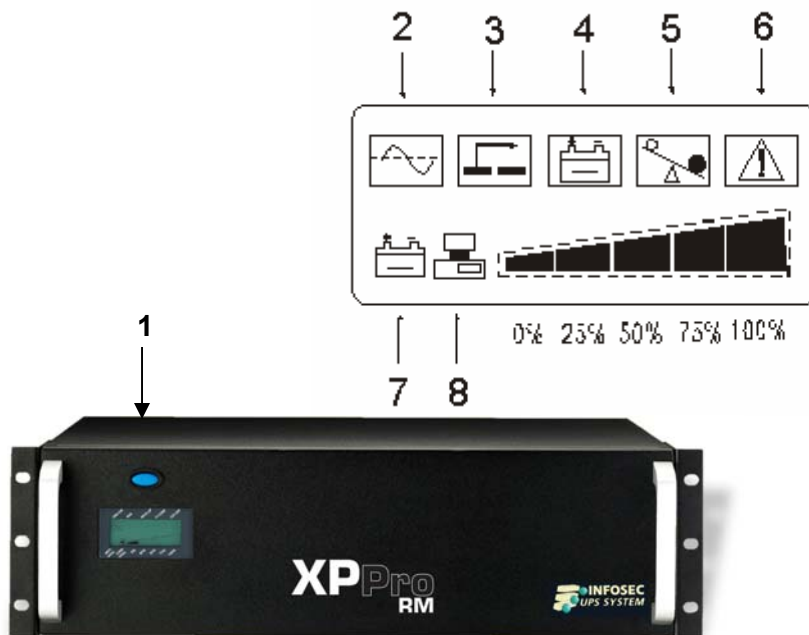


Fig. 3 shows how the UPS works when AC Utility Failure

5 OVERVIEW

5.1 Front Panel

1. **Master Power Switch:** Turn ON/OFF the UPS.
2. **Line-On:** AC Normal .
3. **AVR Protection :** When AVR is working under regulation mode, the light will turn on.
4. **Backup mode:** Battery in backup
5. **Over Load:** If the UPS is overloaded, this light will turn on and the alarm will beep.
6. **UPS Cut-Off:** Overload or cut-off
7. **Battery Level:** A bar graph showing how much of the UPS battery is being used.
8. **Load Level:** A bar graph showing how much of the UPS power is being used.

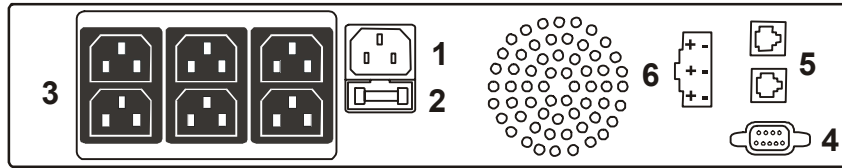


5.2 Rear Panel

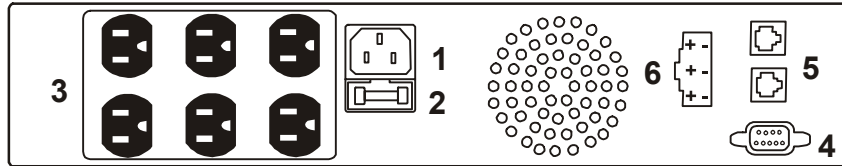
1. **AC line input socket:** Connect power cable from the UPS to AC utility.
2. **AC input fuse:** Contain the fuse to protect the UPS from over current from incoming AC utility.
3. **Output receptacles:** Connect power cables of computer equipment to these outlets.
4. **Computer interface:** This socket combines relay contact signals and RS-232 signals (Option) on DB9 connector.
5. **Phone / Fax / Modem jack:** Telecom transfer ports provide users to extend the applications.
6. **EXT. Battery:** no available
7. **UPS setup switch:**
 - Dip1. ↑ Low load (below 50w) auto-shut OFF.
↓ Low load auto-shut ON.
 - Dip2. ↓ DC-start ON.
↑ DC-start OFF.
 - Dip3. ↓ Buzzer auto-reset OFF.
↑ Buzzer auto-reset ON.

Rear Panel (2U): XP PRO RM 1000VA

IEC – 320 :

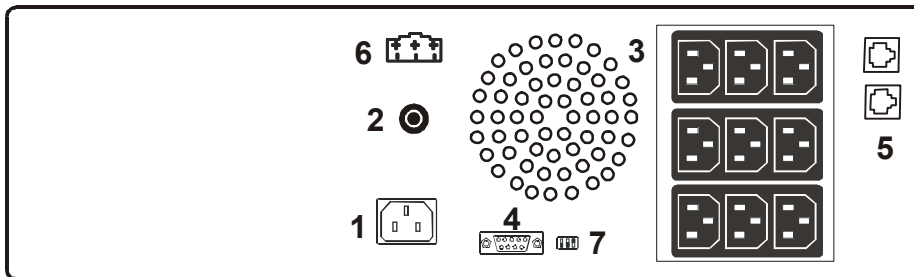


NEMA5 – 15R :

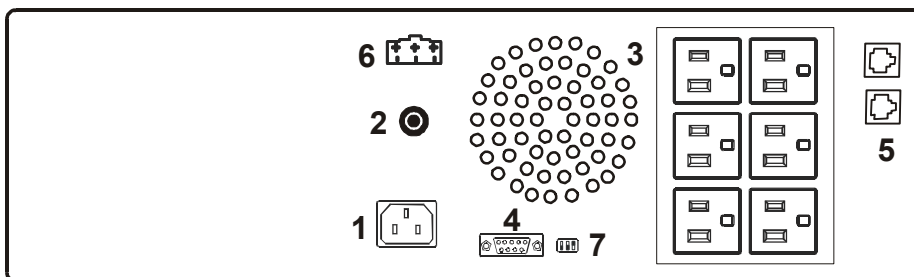


Rear Panel (3U): XP PRO RM 1500 / 2000 / 2500 / 3000 VA

IEC-320:



NEMA5-15R:



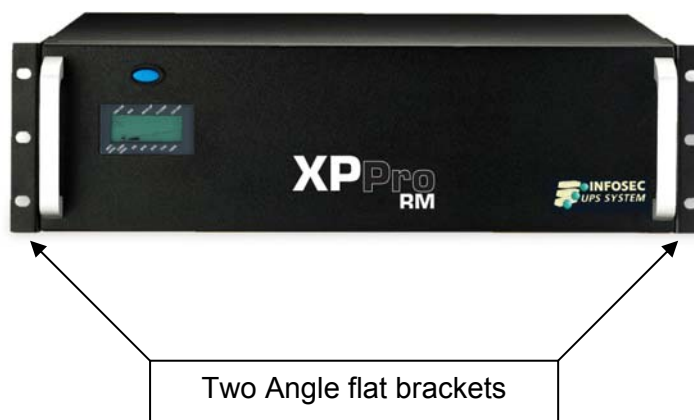
5.3 Position

XP PRO UPS may be installed either in a horizontal or in a vertical position. It is provided with one UPS stand to stabilize the UPS in tower position and two angle flat brackets allow the installation of the UPS as a 19" equipment rack.

Tour Position



Rack Position



6 INSTALLATION AND OPERATION

Upon receipt of the UPS, inspect the shipping carton for damage. If there is any obvious damage, immediately report it to the selling dealer or the delivering carrier. If there is no damage to the shipping carton, unpack the unit and inspect the unit for damage.

The UPS is designed for installation in a protected environment within a temperature range from 32°F to 104°F and relative humidity of 0~90% without condensation. Do not block inlets and outlets. Install the system in a location free from excessive dust and chemical fumes.

Check the identification label to verify the UPS voltage and power rating match the available line voltage and load requirements.

Installation:

1. Check if the main switch on the UPS front panel is in the off position and insure that the voltage of the AC utility source corresponds to the nameplate on the UPS rear panel.
2. Plug the power cable into the grounded socket. If indicators of LINE-ON & CUT-OFF LCD light on, it means AC power is normal, but UPS is under CUT-OFF status and it will automatically start to charge by itself.
3. Push the main switch, then the Load Level LCD will light on for 2 seconds and CUT-OFF LCD will light off. The UPS is ready to start working normally.
4. Connect your PCs to the UPS and then turn them on. Be sure to check the Load Level LCD indicator and do not overload it over 100%. To simulate AC failure (simply by disconnecting the AC power) may help to insure whether UPS is in good condition or not. When disconnecting the UPS from AC power, the BACKUP LCD lights on and the alarm is sounding every 3 seconds. If the CUT-OFF LCD is on, it means UPS fault or BATTERY fault. Then you have to contact your local service center.
5. When battery approaches low level, alarm will beep every second until auto shut down.
6. The 4 conditions UPS will automatically shut down :
 - a. Battery low
 - b. Short circuit
 - c. Overload
 - d. UPS fault

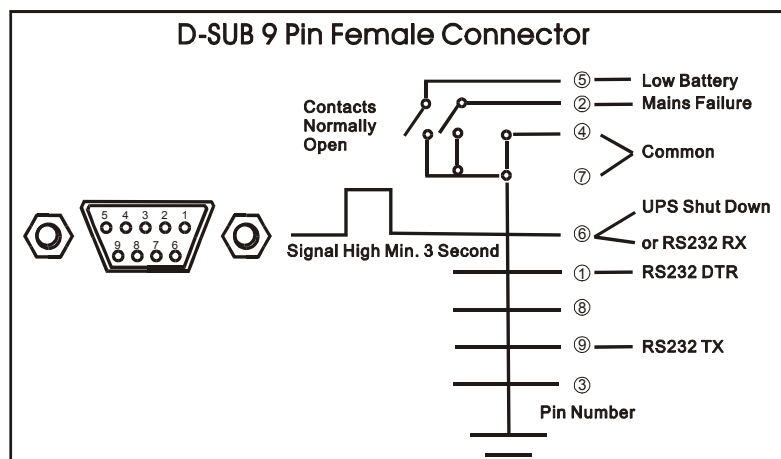
7 COMPUTER INTERFACE

The computer interface (DB9 port) on the back of the UPS may be connected to a host computer. This port allows the computer to monitor the status of the UPS and control the operation of the UPS. The RUPS2000 provides complete On-Screen power management to the UPS and computer systems. Its major functions normally include some or all the following:

- Real-time UPS status on screen.
- All history records in memory.
- Auto orderly shutdown for computer & UPS.
- Multi-server support.
- Auto file save even without filename preset.
- Scheduled switch on/off daily or weekly.

Pin out information:

PIN#	Description	I/O
PIN1	RS232 DTR, must keep in high state	Input
PIN2	Line fail, normally open, active close	Output
PIN3	N.C.	
PIN4	Common for PIN 2,5	
PIN5	Battery low, normally open, active close	Output
PIN6	Two purposes on this pin (1)Remote shut down, keep this pin high (+5~+12V) for 3S will turn off the UPS (2)RS232 Receiver Rx	Input
PIN7	Ground for PIN 6,9	
PIN8	N.C.	
PIN9	RS232 Transmitter TX	Output



8 BATTERY FACTS

The battery is the only periodically serviceable parts in the UPS. An expected life is approx. 3~5 years. However, frequent long discharges or ambient temperatures above 25°C (80°F) will shorten battery life. Therefore, it is recommended to replace the batteries every 3 years after initiating the unit.

Recharge batteries every 3 months is necessary if it is not in use because it may cause batteries over-drain.

WARNING

Only a qualified technician should replace the battery. Batteries have high short-circuit current capacity; mistakes in connecting or disconnecting can cause connections to arc or weld and could cause severe burns.

STORAGE

The UPS should only be stored if the battery is fully charged. Avoid storage temperatures above 25°C (80°F) as battery life is significantly shortened. Every 90 days remove the unit from storage and plug it in for 24 hours to recharge the batteries. Batteries may be damaged if left in storage and not recharge every 90 days.

IMPORTANT NOTICE

**Please use same type and same rating of batteries for replacement.
Do not replace it with the battery that exceeds specified rating.**

9 SPECIFICATIONS

Capacity	VA	1000VA	1500VA	2000VA	2500VA	3000VA
Input	Voltage	110VAC, 115VAC, 120VAC, 220VAC, 230VAC or 240VAC \pm 25%				
	Frequency	50Hz or 60Hz \pm 5%				
Output	Voltage (Batt. Mode)	110VAC, 115VAC, 120VAC, 220VAC, 230VAC or 240VAC \pm 5%				
	Frequency	50Hz or 60Hz \pm 1Hz				
	Waveform	Modified sine wave				
	Transfer Time	Less than 4ms (typical)				
Battery	Battery Type	12V / 7AH *2PCS	12V / 7AH *4PCS	12V / 9AH *4PCS		
	Recharge Time	5 hours to 90% of full capacity				
Indicator	LCD	LCD indicator for line on, battery back-up, AVR protection, Overload and cut-off, Load and battery level				
Alarm	Battery Back-up	Sounding every 3 seconds				
	Battery Low	Sounding every 1 second				
	Overload	Continue beeping sound				
Protection	Overload	Fuse & current limited				
	Short Circuit	Fuse & current limited & cut-off				
	Batt. Low Cut-off	No battery drain after cut-off				
Physical	Dimension, D*W*H	2U / 280*440*88 mm	3U / 280*440*132 mm			
Environment	Operating Temperature	0°C-40°C (32°F-104°F) at full load, 0~90% relative humidity (non-condensing)				
	Noise Level	Less than 40db (at 1 meter)				
Interface	Contact Closure	DB9 connector for connecting with Rups-2000 software				

10 TROUBLE SHOOTING

If the UPS failed to operate properly, please review the following checks firstly. If the problem remains, please consult sales agent for service.

- Is the Master power switched on?
- Is the UPS plugged into a correctly working outlet?
- Is the line voltage within the rating specified?
- Is the fuse on the rear panel blown?
- Is the UPS over loaded?
- Is battery not fully charged? Dead battery? Charger failure?

Please provide the following information when call for service to +33 2 40 76 15 82.

- Model number, serial number.
- Date of the problem occurred, date of purchase.
- Full description of the problem including load, LCD, and alarm status, installation condition, working environment, etc.

Trouble-Shooting Chart		
Problem	Possible Cause	Caution To Take
No light, and no alarm (UPS not on)	Front panel switch in off position.	Turn on switch.
	Rear panel fuse burnout.	Replace fuse restart UPS.
	Power cord lose	Check input power.
No "Line-on LCD" light, and alarm beeps every few seconds.	Power cord lose	Check input power.
	AC Fuse burnout.	Replace fuse, if problem remains, call for service.
Backup time is less than the rating.	Battery is not fully charger failure.	Recharge the battery for at least 6 hours, re-test the backup time. If problem remains, call for service.

1 IMPORTANT

Merci pour le choix de cet onduleur (UPS) de la gamme XP PRO RM. Il vous fournira la meilleure protection pour votre matériel.

Prendre connaissance de ce manuel !

Ce manuel vous informe sur la sécurité, ainsi que sur les instructions d'installation et de bon fonctionnement de ce matériel afin de vous offrir un maximum de performance et de longévité.

Garder de coté ce manuel !

Il indique les conditions de sécurité pour son utilisation ainsi que des informations pour un bon fonctionnement.

En cas de problème vous pouvez contacter notre SAV au 02.40.76.15.82

Vérification emballage !

L'emballage de cet appareil a été conçu pour fournir une bonne protection lors de son transport. Si le matériel arrive endommagé, prendre immédiatement contact avec le transporteur.

Nous vous conseillons de conserver cet emballage, il sera indispensable pour un éventuel retour de l'onduleur en nos locaux.

2 AVERTISSEMENT

- L'onduleur délivre des tensions potentiellement dangereuses. Toute intervention doit être réalisée par un personnel qualifié.
- L'onduleur possède sa propre source d'énergie interne (batterie). Les prises de sortie peuvent délivrer une tension même si l'onduleur n'est pas raccordé au secteur.
- **Ne pas brancher d'imprimante laser.**
- L'onduleur est conçu pour l'alimentation d'ordinateurs et d'équipements électroniques avec alimentation à découpage ou charge capacitive. Il est déconseillé pour les charges inductives telles que les moteurs et les lampes fluorescentes.
- **S'assurer que la charge à protéger est en dessous de la puissance nominale de l'onduleur. Une charge de 1 /2 ou 1/3 de la puissance nominale est recommandée pour une durée de vie et une autonomie plus grandes de la batterie.**
- Ne pas placer l'onduleur à proximité d'une source de chaleur, ne pas exposer au soleil ni à une humidité excessive.
- En cas de non fonctionnement de l'onduleur, débrancher le cordon d'alimentation et appeler votre revendeur. Ne pas démonter l'onduleur.
- L'onduleur doit être alimenté impérativement avec une prise de courant possédant une borne de terre.
- Les prises de sortie doivent être facilement accessibles.
- Ne pas raccorder l'entrée de l'onduleur sur ses prises de sortie, ceci provoquerait sa destruction.
- L'installation doit être réalisée par un électricien qualifié en conformité avec les normes en vigueur.

3 INTRODUCTION

3.1 Description Générale

L'onduleur fournit une alimentation sans interruption pour protéger vos équipements électroniques sensibles et ordinateurs contre les coupures de tension et perturbations du secteur. Un régulateur de tension en mode secteur permet de compenser les baisses de tension (de 75% à 125%) sans puiser d'énergie dans les batteries.

Une protection Fax/Modem contre les surtensions sur la ligne téléphonique est située à l'arrière de l'appareil.

Le logiciel RUPS2000 permet la communication avec l'UPS (contacts secs).

3.2 Caractéristiques

- Design Line interactive.
- Ecran LCD.
- Autorégulation (AVR) pour compenser les variations de tensions.
- Protection contre surtension transitoire, surcharge et, court-circuit.
- Conçu avec un chargeur batterie et une protection d'autodécharge.
- Mode éco : arrêt automatique si pas de charge en mode batterie (Réglage par micro-switch).
- Voyants indiquant les niveaux de la batterie et de la charge.
- Buzzer alarm auto-reset (Réglage par micro-switch).
- Démarrage automatique au retour secteur.
- Démarrage sur batterie (Réglage par micro-switch).
- Protection Tel / Modem / Fax / Internet contre les variations de tension
- Logiciel de fermeture automatique des fichiers et arrêt de l'onduleur.

4 PRINCIPE DE FONCTIONNEMENT

L'objectif de ce chapitre est de vous donner une idée du fonctionnement de l'onduleur.

4.1 Diagramme

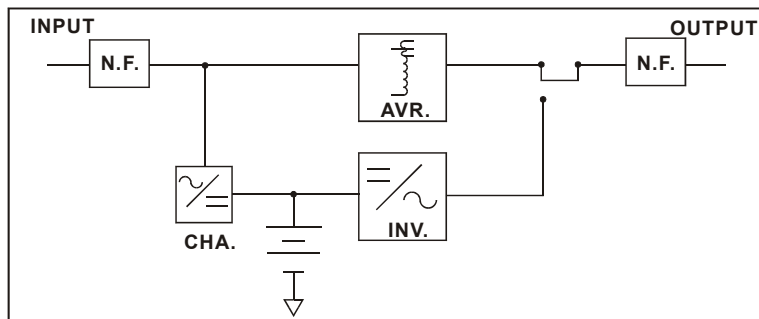


Fig. 1 schématisation de l'UPS.

4.2 Fonctionnement normal : Mode Secteur

La tension du secteur alimente deux circuits, le premier va vers la sortie et le second vers le chargeur batterie. La tension d'entrée (INPUT) traverse l'AVR et est acheminée vers la sortie (OUTPUT) pour alimenter la charge. Parallèlement, le circuit AC/DC CHA convertit la tension d'entrée pour recharger les batteries.

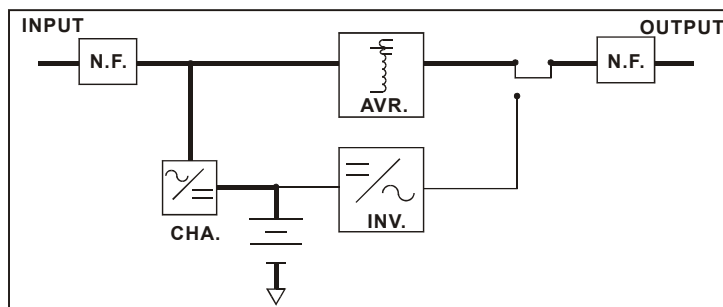


Fig. 2 UPS secteur présent.

4.3 Mode Batterie

En cas de panne du secteur, l'onduleur va rapidement le détecter et activer le circuit INVERTER. L'INVERTER DC/AC converti la tension continue provenant des batteries en tension 230Vac pseudo sinusoïdale pour alimenter la charge.

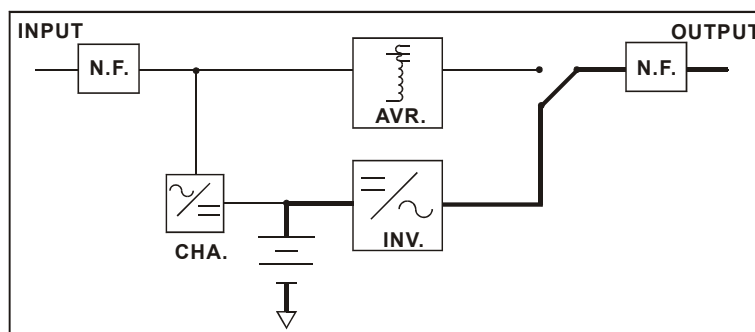
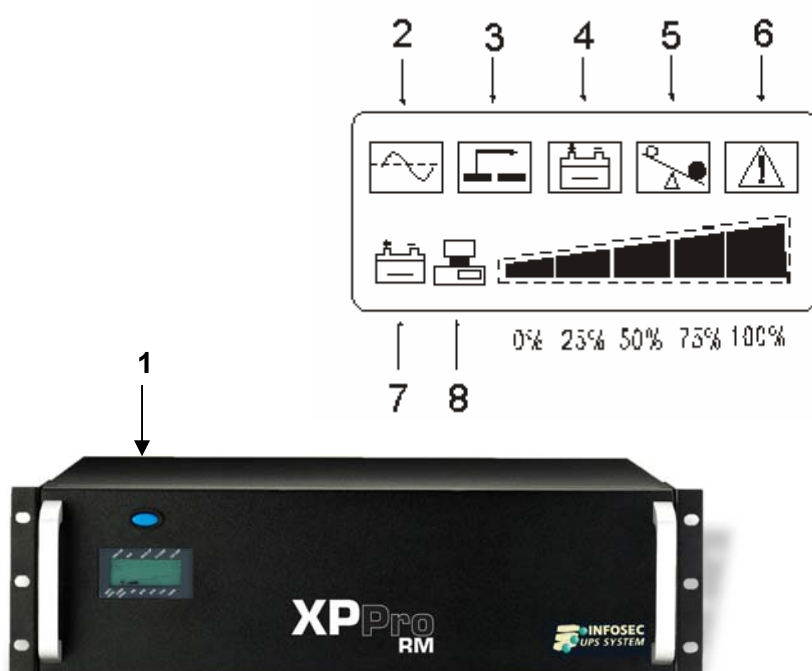


Fig. 3 Fonctionnement de l'UPS en mode batterie

5 DESCRIPTION

5.1 Face Avant :

1. **BOUTON ON/OFF:** bouton MARCHE / ARRET.
2. **SECTEUR PRESENT:** Voyant Mode secteur, secteur présent.
3. **AVR :** voyant mode AVR éclairé quand l'UPS régule la tension.
4. **ONDULEUR SUR BATTERIE:** Fonctionnement en Mode batterie, secteur absent.
5. **SURCHARGE:** UPS en surcharge, le voyant s'éclaire et l'alarme sonne en continu.
6. **SORTIE UPS COUPEE:** Défaut onduleur.
7. **NIVEAU BATTERIE:** % niveau de décharge des batteries en mode batterie.
8. **NIVEAU DE CHARGE:** % niveau de charge indique la quantité de matériel connecté.

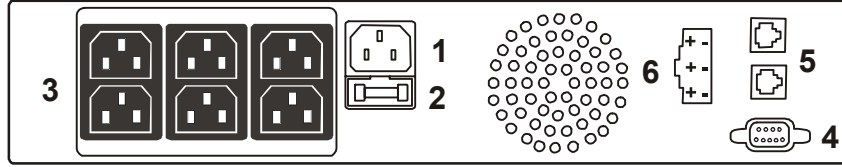


5.2 Face Arrière:

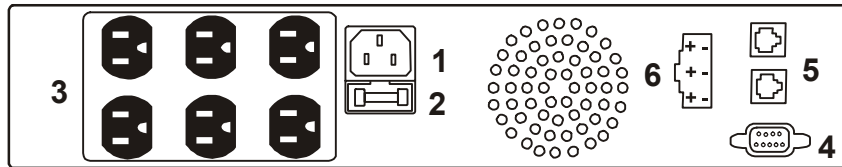
1. **PRISE ALIMENTATION SECTEUR :** Prise d'entrée pour le câble d'alimentation.
2. **FUSIBLE D'ALIMENTATION :** Logement du fusible de protection d'entrée.
3. **PRISES DE SORTIE:** Prises de sortie pour connecter le matériel à protéger.
4. **INTERFACE ORDINATEUR :** Port de communication DB9.
5. **PROTECTION TEL/FAX/MODEM :** connexion RJ téléphone/fax.
6. **EXT. Battery:** Absent sur ce modèle.
7. **MICRO SWITCH REGLAGE UPS:**
 - Dip1. ↑ En mode batterie : si charge < 50W pas d'arrêt automatique de l'UPS.
↓ En mode batterie : si charge < 50W arrêt automatique de l'UPS.
 - Dip2. ↓ Possibilité de démarrage sur batteries activée.
↑ Possibilité de démarrage sur batteries désactivée.
 - Dip3. ↓ Alarme sonore auto-reset OFF.
↑ Alarme sonore auto-reset ON.

Face Arrière 2U : XP PRO RM 1000VA

IEC – 320 :

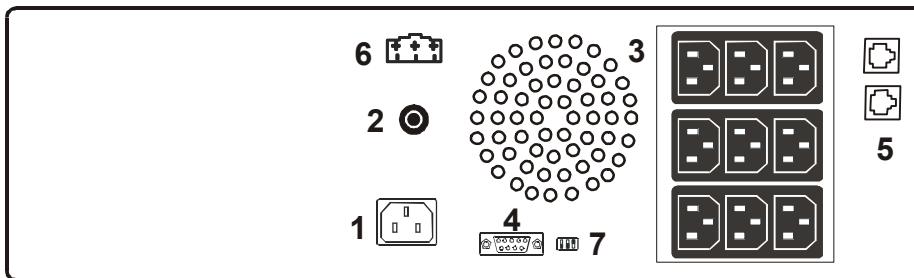


NEMA5 – 15R :

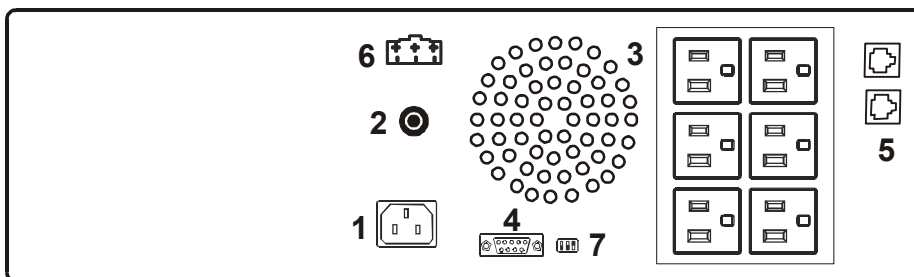


Face Arrière 3U : XP PRO RM 1500 / 2000 / 2500 / 3000 VA

IEC-320:



NEMA5-15R:



5.3 Positionnement

Les onduleurs XP PRO peuvent être positionnés soit horizontalement soit verticalement. Ils sont fournis avec un pied pour la stabilisation en position tour et avec deux équerres pour la fixation en position rack dans une baie de brassage 19".

Position Tour



Position Rack



6 INSTALLATION ET MISE EN OEUVRE

Dès réception de l'onduleur, ouvrir l'emballage et vérifier méticuleusement son état en présence du livreur. En cas de dégâts, procéder aux réserves d'usage et avvertir le livreur.

L'onduleur doit être installé dans un endroit protégé, avec une température comprise entre 0°C et 40°C (20°C conseillé pour une meilleure durée de vie des batteries), avec un taux d'humidité relatif de 0 à 90% sans condensation, et dans une ambiance exempte de poussière et de vapeurs corrosives.

Vérifier sur la plaque signalétique que la tension et la puissance de l'onduleur soit en accord avec la tension d'alimentation et la charge à protéger.

Installation:

1. Vérifiez que le bouton ON/OFF ne soit pas enfoncé. La tension d'alimentation doit être la même que sur la plaque signalétique à l'arrière de l'appareil.
2. Branchez la prise d'alimentation à une prise secteur. Si les voyants SECTEUR PRESENT (2) et SORTIE UPS COUPEE (6) sont allumés : le secteur est normal mais l'onduleur est en mode Arrêt et la batterie se recharge.
3. Appuyez sur le bouton ON/OFF, les voyants de niveau de charge (8) s'allument 2 secondes. Le voyant SORTIE UPS COUPEE (6) s'éteint. L'onduleur est alors prêt pour un fonctionnement normal.
4. Vous pouvez maintenant raccorder vos ordinateurs puis les démarrer. Assurez-vous que l'onduleur n'est pas surchargé (voyant de niveau de charge en dessous de 100%). Pour tester le bon fonctionnement de l'UPS en mode batterie, débranchez le cordon d'alimentation. Le voyant SUR BATTERIE (4) s'allume et l'alarme sonore retentit toutes les 3 secondes. Si le voyant SORTIE UPS COUPEE (6) s'allume, cela indique un défaut UPS ou un défaut batterie. Contacter le SAV 02.40.76.15.82.
5. Lorsque la batterie arrive en fin d'autonomie, l'alarme sonore retentit toutes les secondes jusqu'à l'arrêt de l'onduleur.
6. Les 4 conditions d'arrêt de l'onduleur sont:
 - a. Batterie en fin d'autonomie
 - b. Court circuit
 - c. Surcharge
 - d. Défaut onduleur

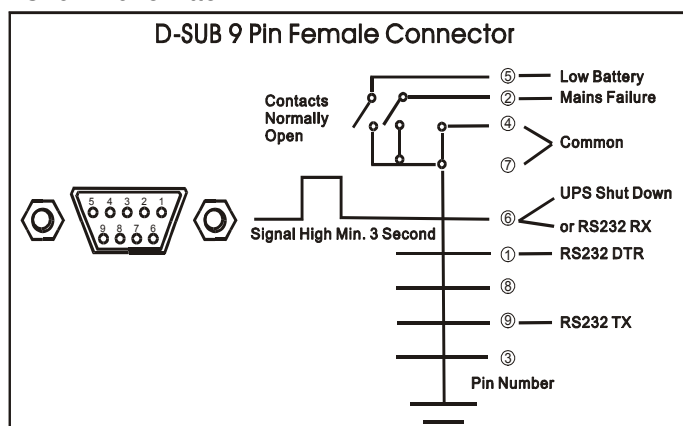
7 INTERFACE DE COMMUNICATION

L'interface (DB9) à l'arrière de l'onduleur peut être raccordée à l'ordinateur. Ce port permet à l'ordinateur de contrôler l'état de l'onduleur. Les fonctions principales sont les suivantes:

- L'état de l'onduleur en temps réel sur votre écran.
- Enregistrements en mémoire de tous les événements.
- Fermeture automatique de vos PC et onduleur.
- Sauvegarde automatique des fichiers.
- Une horloge permet d'allumer ou d'éteindre l'UPS chaque jour ou chaque semaine.

Utilisation des broches du connecteur DB 9:

Broche#	Description	I/O
Broche1	RS232 DTR, doit rester à l'état haut	Entrée
Broche2	Secteur absent, contact normalement ouvert	Sortie
Broche3	N.C.	
Broche4	Commun pour broches 2,5	
Broche5	Batterie basse, contact normalement ouvert	Sortie
Broche6	2 fonctions pour cette broche (1)Arrêt de l'UPS, Un état haut (+5~+12V) pendant 3s éteint l'UPS (2)RS232 Receiver Rx	Entrée
Broche7	Terre pour broche 6,9	
Broche8	N.C.	
Broche9	RS232 Transmitter TX	Sortie



8 BATTERIE

La batterie est le seul élément de l'onduleur qui doit être remplacé périodiquement. Sa durée de vie est de l'ordre de 3 à 5 ans. Cependant, des décharges fréquentes et profondes ou une température supérieure à 25°C, réduisent cette durée de vie. En conséquence, il est conseillé de remplacer les batteries tous les 3 ans.

En cas de non utilisation de l'onduleur ou pendant le stockage, il est recommandé de recharger les batteries au moins tous les 3 mois pour éviter les décharges profondes et leurs détériorations.

ATTENTION

Seul un technicien est habilité à remplacer les batteries. Les batteries possèdent un fort courant de court-circuit; une erreur de manipulation, de raccordement ou un court-circuit entre les bornes peut provoquer un arc électrique et des brûlures graves.

STOCKAGE

L'onduleur doit être stocké avec des batteries complètement chargées. Une température de stockage supérieure à 25°C réduira sensiblement la durée de vie des batteries. Tous les 3 mois brancher l'onduleur sur le secteur pendant un minimum de 24 heures pour recharger la batterie. Sinon elle risque de se détériorer.

NOTE IMPORTANTE

Lors du remplacement des batteries, il est conseillé d'utiliser le même type et le même modèle que celles installées à l'origine.

9 SPECIFICATIONS

Capacité	VA	1000VA	1500VA	2000VA	2500VA	3000VA
Entrée	Tension	[110VAC, 115VAC, 120VAC] ou [220VAC, 230VAC, 240VAC] ±25%				
	Fréquence	50Hz or 60Hz ±5%				
Sortie	Tension (Batt. Mode)	[110VAC, 115VAC, 120VAC] ou [220VAC, 230VAC, 240VAC] ±5%				
	Fréquence	50Hz ou 60Hz ±1Hz				
	Forme d'onde	Pseudo - sinusoïde				
	Temps Transfert	Moins de 4ms (typique)				
Batteries	Type de batterie	12V / 7AH *2PCS	12V / 7AH *4PCS	12V / 9AH *4PCS		
	Temps de recharge	5 heures à 90% de sa capacité				
Ecran	LCD	Ecrans LCD indiquant présence secteur, autonomie des batteries (backup), AVR régulation de tension, surcharge et défauts (cut-off), les niveaux de charge et de batterie				
Alarmes	Autonomie Batterie	Signal sonore toutes les 3 secondes				
	Batterie basse	Signal sonore toutes les secondes				
	Surcharge	Signal sonore en continu				
Protection	Surcharge	Fusible et courant limité				
	Court-Circuit	Fusible & courant limité & cut-off				
	Auto-décharge Batterie	Protection décharge profonde de la batterie				
Dimensions	L x l x H	2U/280*440*88mm	3U / 280*440*132 mm			
Environnement	Température de fonctionnement	0°C-40°C à pleine charge, 0~90% d'humidité (sans condensation)				
	Niveau de bruit	Moins de 40db (à 1 mètre)				
Interface	Contacts secs	RUPS 2000 software				

10 DEPANNAGE

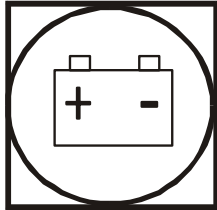
Si l'onduleur ne fonctionne pas correctement, procéder aux tests ci-dessous avant de faire appel au service après vente.

- L'interrupteur est-il en position " Marche"?
- L'onduleur est-il raccordé à une source d'alimentation correcte?
- La tension d'alimentation est-elle dans les tolérances requises?
- Le fusible de protection à l'arrière est-il grillé?
- L'onduleur est-il en surcharge?
- La batterie est-elle rechargée? Défectueuse? Défaut chargeur ?

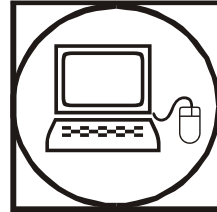
Relevez les informations suivantes avant de contacter le S.A.V. au 02 40 76 15 82?

- Modèle, numéro de série de l'onduleur (voir plaque signalétique au dos)
- Date d'apparition du problème, date d'achat de l'onduleur.
- Description complète du problème, matériel connecté, états des voyants du LCD, conditions d'installation, environnement, etc.

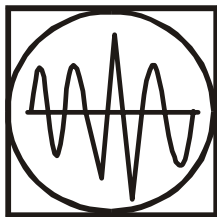
Résolution de problèmes		
Problème	Cause Possible	Solution
Aucune voyant et aucune alarme.	L'interrupteur est éteint	Appuyer sur le bouton poussoir (1)
	Le fusible à l'arrière est fondu	Remplacer le fusible redémarrer l'UPS.
	Câble secteur débranché	Vérifier le câble d'alimentation secteur.
Voyant SECTEUR PRESENT éteint et alarme sonne toutes les quelques secondes.	Câble secteur débranché	Vérifier le câble d'alimentation secteur.
	Fusible fondu.	Remplacer le fusible, si le problème persiste, appeler le SAV.
Autonomie réduite.	Batterie déchargée ou défaut chargeur.	Recharger la batterie pendant au moins 6 heures. Vérifier l'autonomie. Si le problème persiste, appeler le SAV.



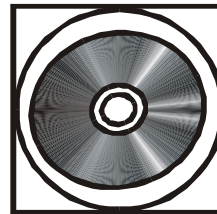
Emergency Backup Power Supply



For Use With Computer Loads Only



Power Surge/Noise Protection



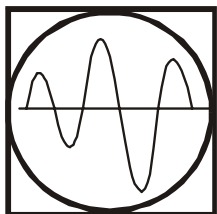
Intelligent Auto-Shutdown Software



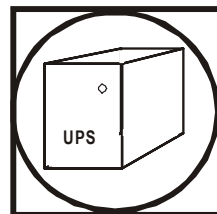
Internet Line Protection



Cost Efficiency



AVR Protection



Compact & Reliable Design