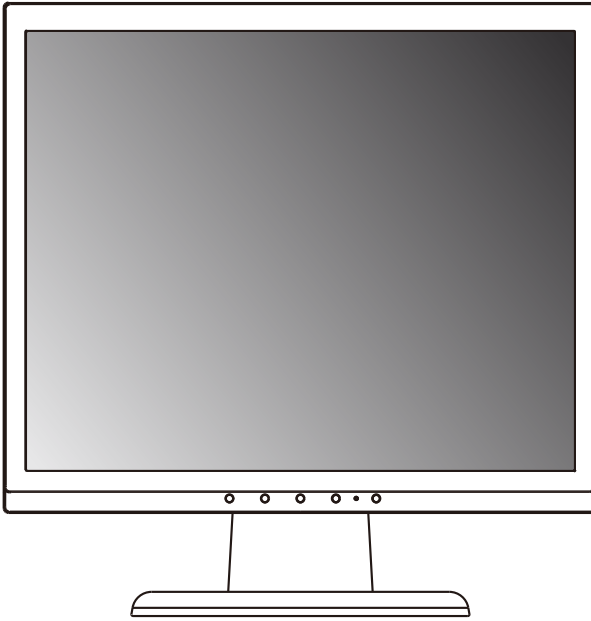


NEC



USER'S MANUAL
MANUEL D'UTILISATION
MANUAL DEL USUARIO

AccuSync LCD73VX™/93VX™

AccuSync LCD73VXM™/LCD93VXM™

To learn about other special offers, register online at www.necdisplay.com.

Pour en savoir plus long sur d'autres offres spéciales, inscrivez-vous en ligne à www.necdisplay.com.

Para informarse sobre otras ofertas especiales, regístrese en línea en www.necdisplay.com.

Index

Warning	1
Contents.....	2
Quick Start	3
Controls	8
Recommended Use	11
Specifications.....	13
Features	17
Troubleshooting.....	18
References	19
Limited Warranty	20
TCO'03	21
Manufacturer's Recycling and Energy Information	22
Avertissement	25
Contenu	26
Mise en marche rapide	27
Commandes	32
Usage recommandé.....	35
Fiche technique	37
Fonctions.....	41
Dépannage	42
Références	44
Garantie limitée.....	45
TCO'03	46
Informations du fabricant relatives au recyclage et aux économies d'énergie.....	47
Advertencia	52
Contenidos.....	53
Inicio rápido	54
Controles.....	59
Uso recomendado.....	62
Especificaciones	65
Características	69
Solución de problemas	70
Referencias	72
Garantía limitada	73
TCO'03	74
Información del fabricante sobre reciclado y energía	75



WARNING



TO PREVENT FIRE OR SHOCK HAZARDS, DO NOT EXPOSE THIS UNIT TO RAIN OR MOISTURE. ALSO, DO NOT USE THIS UNIT'S POLARIZED PLUG WITH AN EXTENSION CORD RECEPTACLE OR OTHER OUTLETS UNLESS THE PRONGS CAN BE FULLY INSERTED.
REFRAIN FROM OPENING THE CABINET AS THERE ARE HIGH VOLTAGE COMPONENTS INSIDE. REFER SERVICING TO QUALIFIED SERVICE PERSONNEL.



CAUTION



CAUTION: TO REDUCE THE RISK OF ELECTRIC SHOCK, MAKE SURE POWER CORD IS UNPLUGGED FROM WALL SOCKET. TO FULLY DISENGAGE THE POWER TO THE UNIT, PLEASE DISCONNECT THE POWER CORD FROM THE AC OUTLET. DO NOT REMOVE COVER (OR BACK). NO USER SERVICEABLE PARTS INSIDE. REFER SERVICING TO QUALIFIED SERVICE PERSONNEL.



This symbol warns user that uninsulated voltage within the unit may have sufficient magnitude to cause electric shock. Therefore, it is dangerous to make any kind of contact with any part inside this unit.



This symbol alerts the user that important literature concerning the operation and maintenance of this unit has been included. Therefore, it should be read carefully in order to avoid any problems.

Canadian Department of Communications Compliance Statement

DOC: This Class B digital apparatus meets all requirements of the Canadian Interference-Causing Equipment Regulations.

C-UL: Bears the C-UL Mark and is in compliance with Canadian Safety Regulations according to CAN/CSA C22.2 No. 60950-1.

FCC Information

1. Use the attached specified cables with the AccuSync LCD73VX™ (L175GZ), or AccuSync LCD93VX™ (L195GY), or AccuSync LCD73VXM™ (L175GZ), or AccuSync LCD93VXM™ (L195GY) color monitor so as not to interfere with radio and television reception.
 - (1) Please use the supplied power cord, signal cable and audio cable or equivalent to ensure FCC compliance.
 - (2) Please use the supplied shielded video signal cable and audio cable.
Use of other cables and adapters may cause interference with radio and television reception.
2. This equipment has been tested and found to comply with the limits for a Class B digital device, pursuant to part 15 of the FCC Rules. These limits are designed to provide reasonable protection against harmful interference in a residential installation. This equipment generates, uses, and can radiate radio frequency energy, and, if not installed and used in accordance with the instructions, may cause harmful interference to radio communications. However, there is no guarantee that interference will not occur in a particular installation. If this equipment does cause harmful interference to radio or television reception, which can be determined by turning the equipment off and on, the user is encouraged to try to correct the interference by one or more of the following measures:
 - Reorient or relocate the receiving antenna.
 - Increase the separation between the equipment and receiver.
 - Connect the equipment into an outlet on a circuit different from that to which the receiver is connected.
 - Consult your dealer or an experienced radio/TV technician for help.

Changes or modifications not expressly approved by the party responsible for compliance could void the user's authority to operate the equipment.

If necessary, the user should contact the dealer or an experienced radio/television technician for additional suggestions. The user may find the following booklet, prepared by the Federal Communications Commission, helpful: "How to Identify and Resolve Radio-TV Interference Problems." This booklet is available from the U.S. Government Printing Office, Washington, D.C., 20402, Stock No. 004-000-00345-4.

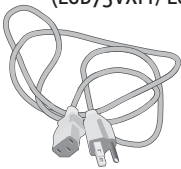
Contents

Your new NEC LCD monitor box* should contain the following:

- LCD monitor
- Power Cord
- Video Signal Cable
- Audio Cable (LCD73VXM / LCD93VXM only)
- User's Manual
- Base Stand
- Cable Holder



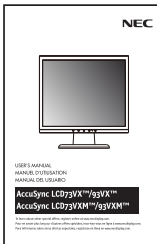
Audio Cable
(LCD73VXM/LCD93VXM only)



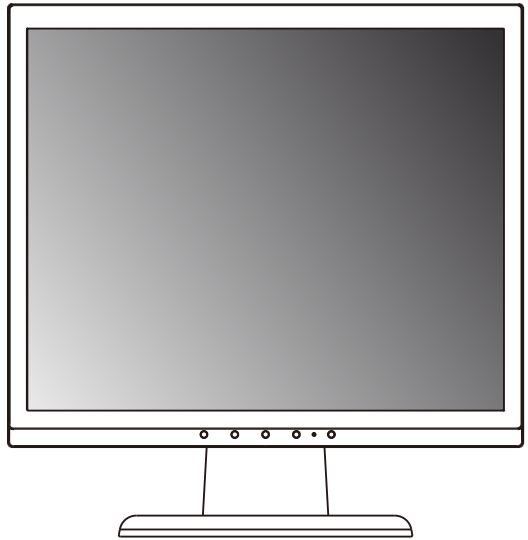
Power Cord



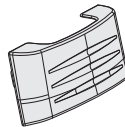
Video Signal Cable



User's Manual



LCD Monitor
(Stand not connected)



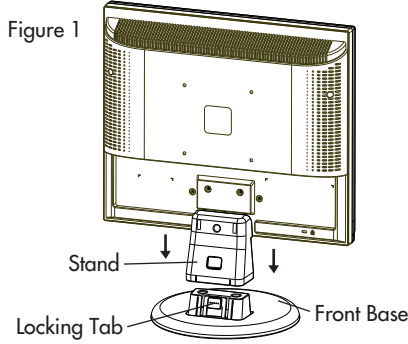
Cable Holder

* Remember to save your original box and packing material to transport or ship the monitor.

Quick Start

To attach the Base to the LCD Stand:

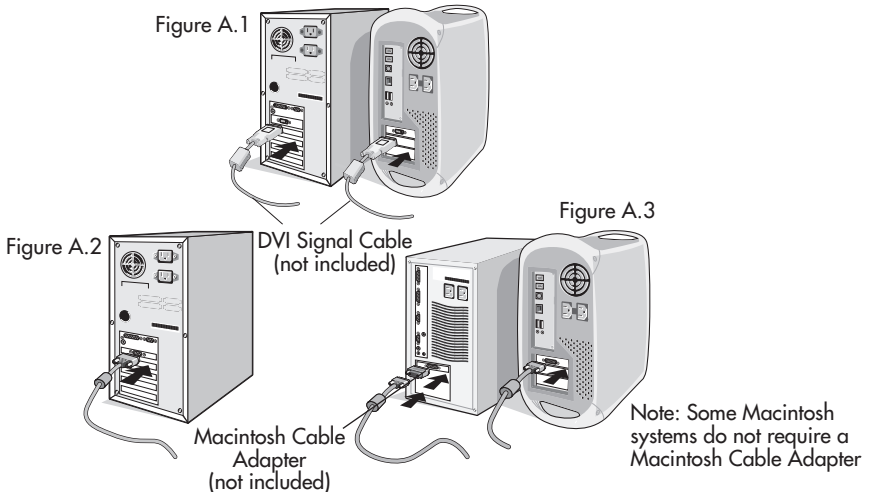
1. Insert the front of the LCD Stand into the holes in the front of the Base (**Figure 1**).
2. Attach the Base to the Stand. The locking tab on the Base should fit into the hole on the back of the Stand.



To attach the LCD monitor to your system, follow these instructions:

1. Turn off the power to your computer.
2. For the PC or Mac with DVI digital output: Connect the DVI signal cable (not included) to the connection of the display card in your system (**Figure A.1**). Tighten all screws.
For the PC with Analog output: Connect the 15-pin mini D-SUB signal cable to the connector of the display card in your system (**Figure A.2**). Tighten all screws.
For the MAC: Connect the Macintosh cable adapter to the computer, then attach the 15-pin mini D-SUB signal cable to the Macintosh cable adapter (**Figure A.3**). Tighten all screws.

NOTE: To obtain the Macintosh cable adapter, call NEC Display Solutions of America, Inc. at (800) 632-4662.



Quick Start *-continued*

3. Connect all cables to the appropriate connectors on the back of the monitor (**Figure B.1**). Headphones may be connected to the "Headphones" output, "🔊" on the front of the monitor. While headphones are connected, the sound from the speakers will be disabled.

NOTE: If you use this monitor at AC125-240V, please refer to Recommended Use section of this manual for proper selection of power cord.

4. Attach the Cable Holder onto the Base (**Figure C.1**). Place all cables together between holes at the back of the stand. Insert the hooks on the Cable Holder into the holes at the back of the Stand and slide the Cable Holder downward into place. Adjust the position of cables between the holder too avoid damage.
5. Turn on the monitor with the front power button. (**Figure D.1**)
6. No-touch Auto Adjust automatically adjusts the monitor to optimal settings upon initial setup for most timings. For further adjustments, use the following OSD controls:

- Auto Adjust Contrast
- Auto Adjust

Refer to the Controls section of this User's Manual for a full description of these OSD controls.

NOTE: For download information on the Windows® INF file for your NEC monitor, visit www.necdisplay.com.

NOTE: If you have any problems, please refer to the Troubleshooting section of this User's Manual.

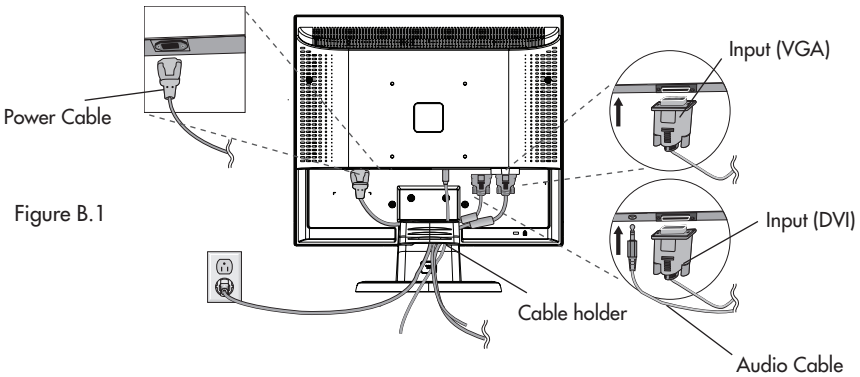


Figure B.1

Figure C.1

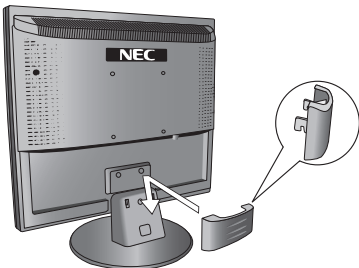
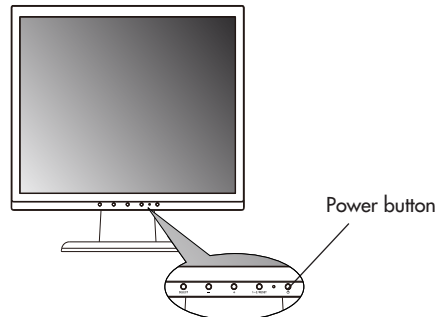


Figure D.1



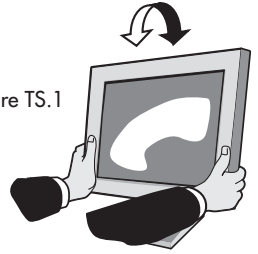
Quick Start *–continued*

Tilt

Grasp both sides of the monitor screen with your hands and adjust the tilt as desired (**Figure TS.1**).

NOTE: Handle with care when tilting the monitor screen.

Figure TS.1



Remove Monitor Stand for Mounting

To prepare the monitor for alternate mounting purposes:

1. Disconnect all cables.
2. Place monitor face down on a nonabrasive surface (**Figure R.1**).
3. Remove the 3 screws connecting the monitor to the stand and slide the stand off from the LCD (**Figure R.1**).

The monitor is now ready for mounting in an alternate manner.

4. Connect the AC cord and the video signal cable to the back of the monitor (**Figure R.2**).

5. Reverse this process to reattach stand.

NOTE: Use only VESA-compatible alternative mounting method.

NOTE: Handle with care when removing monitor stand.

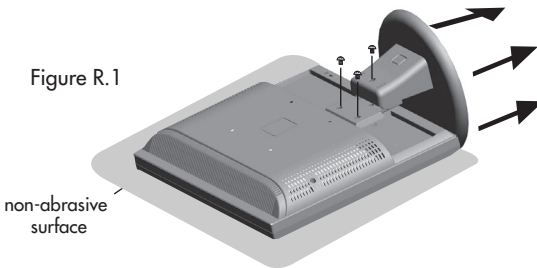
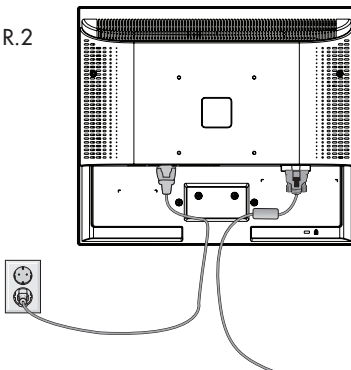


Figure R.1

non-abrasive
surface

Figure R.2

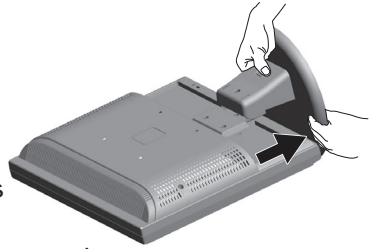


Quick Start *-continued*

Removing the Base

Note: Always remove the Base when shipping the LCD.

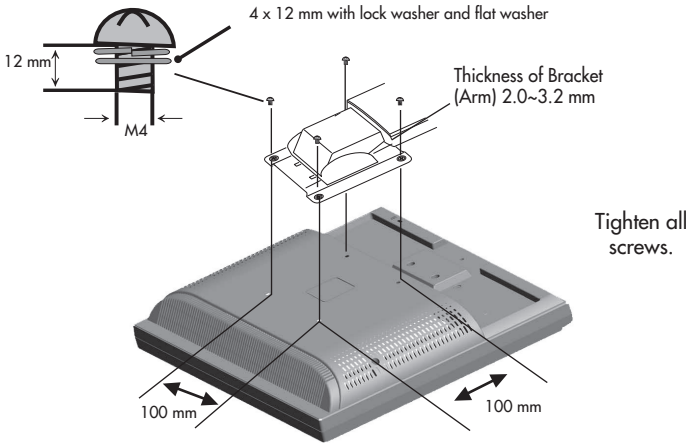
1. Place monitor face down on a non-abrasive surface.
2. While using your thumbs, press the bottom tabs upward to unlock.
3. Press the top tabs down to unlock and pull off the stand.



Connecting a Flexible Arm

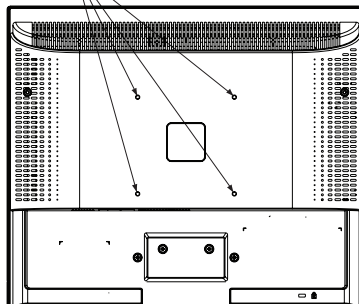
This LCD monitor is designed for use with a flexible arm. Please use the attached screws (4pcs) as shown in the picture when installing.

To meet the safety requirements, the monitor must be mounted to an arm which guaranties the necessary stability under consideration of the weight of the monitor. The LCD monitor should only be used with an approved arm (e.g. GS mark).



Specifications

4-SCREWS (M4)
(MAX depth: 8.5 mm)



Weight of LCD assembly:
3.9kg - LCD73VX(MAX)
4.3kg - LCD93VX(MAX)
3.9kg - LCD73VXM(MAX)
4.3kg - LCD93VXM(MAX)

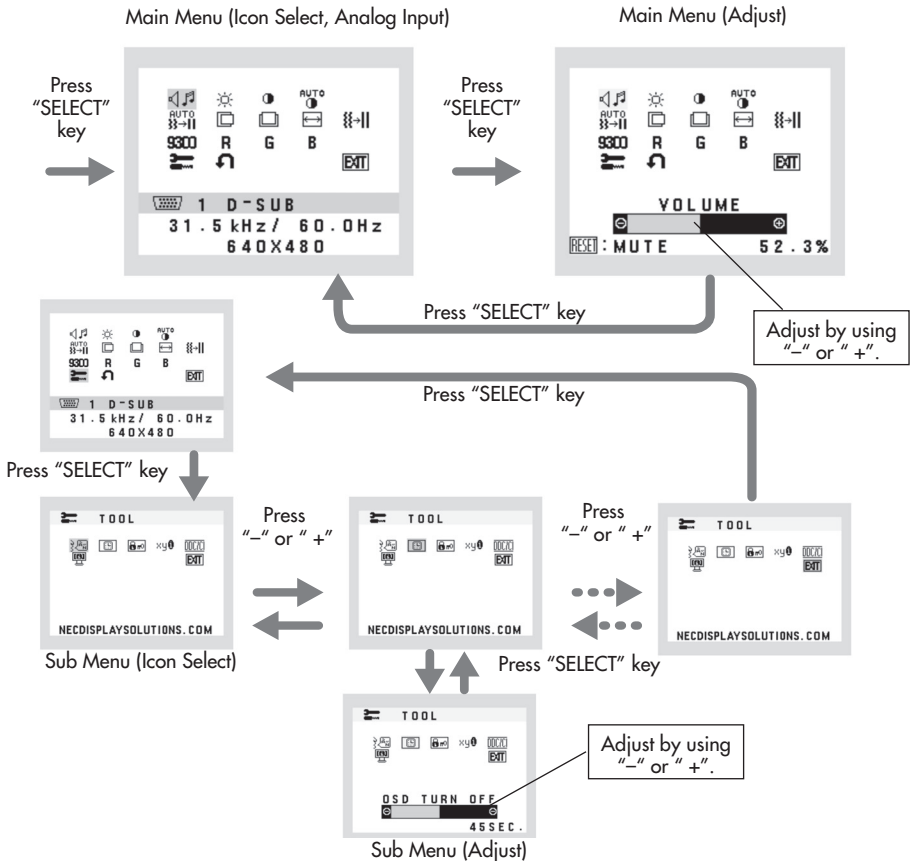
Controls

OSD (On-Screen Display) control buttons on the front of the monitor function as follows:

1. Basic key function

Button	SELECT	-	+	1 <-> 2 / RESET
OSD Off	OSD displayed	Shortcut to bright adjust window	Shortcut to volume adjust window (LCD73VXM/LCD-93VXM) Shortcut to contrast adjust window (LCD73VX/LCD-93VX)	Input signal select
OSD On (Icon selection stage)	Go to Adjustment stage	Cursor moves left	Cursor moves right	
OSD On (Adjustment stage)	Go to Icon selection stage	Adjust value decrease or Cursor for adjust moves left	Adjust value increase or Cursor for adjust moves right	Reset operation

2. OSD structure



Controls *-continued*



AUDIO (LCD73VXM/93VXM only)

Controls the volume of the speaker or headphones.

To mute the speaker output, press the "1<->2/RESET" button.



BRIGHTNESS

Adjusts the overall image and background screen brightness. To enter the Eco mode, press the "1<->2/RESET" button.



CONTRAST

Adjusts the image brightness in relation to the background.



AUTO CONTRAST

Adjusts the image displayed for non-standard video inputs (Analog input only).



AUTO ADJUST

Automatically adjusts the Image Position, H. Size and Fine setting (Analog input only).



LEFT/RIGHT

Controls Horizontal Image Position within the display area of the LCD (Analog input only).



DOWN/UP

Controls Vertical Image Position within the display area of the LCD (Analog input only).



H. SIZE

Adjusts the horizontal size by increasing or decreasing this setting (Analog input only).



FINE

Improves focus, clarity and image stability by increasing or decreasing this setting (Analog input only).



COLOR CONTROL SYSTEMS

Five color presets (9300/7500/sRGB/USER/NATIVE) to choose from for the desired color setting. The sRGB and NATIVE color presets are standard and cannot be changed.



COLOR RED

Increase or decreases Red. The change will appear on screen.



COLOR GREEN

Increase or decreases Green. The change will appear on screen.



COLOR BLUE

Increase or decreases Blue. The change will appear on screen.



TOOL

Selecting TOOL allows you to get into the sub menu.



FACTORY PRESET

Selecting Factory Preset allows you to reset all OSD control settings back to the factory settings. The “1<->2/RESET” button will need to be held down for several seconds to take effect. Individual settings can be reset by highlighting the control to be reset and pressing the “1<->2/RESET” button.



EXIT

Selecting EXIT allows you exit OSD menu/sub menu.



LANGUAGE

OSD control menus are available in eight languages.



OSD TURN OFF

The OSD control menu will stay on as long as it is in use. In the OSD Turn OFF submenu, you can select how long the monitor waits after the last touch of a button to shut off the OSD control menu. The preset choices are 10 - 120 seconds in 5 second intervals.



OSD LOCK OUT

This control completely locks out access to all OSD control functions without Brightness and Contrast. When attempting to activate OSD controls while in the Lock Out mode, a screen will appear indicating the OSD are locked out. To activate the OSD Lock Out function, press “1<->2/RESET”, then “+” key and hold down simultaneously. To deactivate the OSD Lock Out, press “1<->2/RESET”, then “+” key and hold down simultaneously.



RESOLUTION NOTIFIER

If ON is selected, a message will appear on the screen after 30 seconds, notifying you that the resolution is not at optimal resolution.



DDC/CI

Turns on or off the two-way communication and control of the monitor. With DDC/CI turned on, some monitor settings can be adjusted through the graphics card using a computer.



MONITOR INFO

Indicates the model and serial numbers of your monitor.

OSD Warning: OSD Warning menus disappear with SELECT button.

NO SIGNAL: This warning appears when there is no signal present. After power is turned on or when there is a change of input signal or video is inactive, the No Signal window will appear.

RESOLUTION NOTIFIER: This function gives a warning of use with optimized resolution. After power is turned on or when there is a change of input signal or the video signal doesn't have proper resolution, the Resolution Notifier window will open. This function can be disabled in the TOOL menu.

OUT OF RANGE: This function gives a recommendation of the optimized resolution and refresh rate. After the power is turned on or there is a change of input signal or the video signal doesn't have proper timing, the Out Of Range menu will appear.

Recommended Use

Safety Precautions and Maintenance



FOR OPTIMUM PERFORMANCE, PLEASE NOTE THE FOLLOWING WHEN SETTING UP AND USING THE LCD COLOR MONITOR:



- **DO NOT OPEN THE MONITOR.** There are no user serviceable parts inside and opening or removing covers may expose you to dangerous shock hazards or other risks. Refer all servicing to qualified service personnel.
- Do not spill any liquids into the cabinet or use your monitor near water.
- Do not insert objects of any kind into the cabinet slots, as they may touch dangerous voltage points, which can be harmful or fatal or may cause electric shock, fire or equipment failure.
- Do not place any heavy objects on the power cord. Damage to the cord may cause shock or fire.
- Do not place this product on a sloping or unstable cart, stand or table, as the monitor may fall, causing serious damage to the monitor.
- When operating the LCD monitor with its AC 125-240V power supply, use a power supply cord that matches the power supply voltage of the AC power outlet being used. The power supply cord you use must have been approved by and comply with the safety standards of your country. (Type H05VV-F should be used in Europe)
- In UK, use a BS-approved power cord with molded plug having a black (5A) fuse installed for use with this monitor. If a power cord is not supplied with this monitor, please contact your supplier.
- Do not place any objects onto the monitor and do not use the monitor outdoors.
- The lamps in this product contain mercury. Please dispose according to state, local or federal law.
- Do not bend power cord.
- Do not use monitor in high temperature, humid, dusty, or oily areas.
- If glass is broken, handle with care.
- Do not cover vent on monitor.

Immediately unplug your monitor from the wall outlet and refer servicing to qualified service personnel under the following conditions:

- When the power supply cord or plug is damaged.
- If liquid has been spilled, or objects have fallen into the monitor.
- If the monitor has been exposed to rain or water.
- If the monitor has been dropped or the cabinet damaged.
- If the monitor does not operate normally by following operating instructions.
- If monitor or glass is broken, do not come in contact with the liquid crystal and handle with care.



CAUTION

- Allow adequate ventilation around the monitor so that heat can properly dissipate. Do not block ventilated openings or place the monitor near a radiator or other heat sources. Do not put anything on top of monitor.
- The power cable connector is the primary means of detaching the system from the power supply. The monitor should be installed close to a power outlet which is easily accessible.
- Handle with care when transporting. Save packaging for transporting.

Recommended Use *–continued*

Image Persistence

Image persistence is when a residual or “ghost” image of a previous image remains visible on the screen. Unlike CRT monitors, LCD monitors’ image persistence is not permanent, but constant images being displayed for a long period of time should be avoided.

To alleviate image persistence, turn off the monitor for as long as the previous image was displayed. For example, if an image was on the monitor for one hour and a residual image remains, the monitor should be turned off for one hour to erase the image.

NOTE: As with all personal display devices, NEC Display Solution of America, Inc. recommends using a moving screen saver at regular intervals whenever the screen is idle or turning off the monitor when not in use.

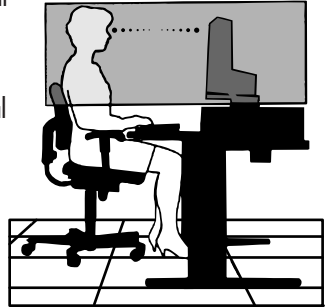
Recommended Use –continued



CORRECT PLACEMENT AND ADJUSTMENT OF THE MONITOR CAN REDUCE EYE, SHOULDER AND NECK FATIGUE. CHECK THE FOLLOWING WHEN YOU POSITION THE MONITOR:



- For optimum performance, allow 20 minutes for warm-up.
- Adjust the monitor height so that the top of the screen is at or slightly below eye level. Your eyes should look slightly downward when viewing the middle of the screen.
- Position your monitor no closer than 16 inches and no further away than 28 inches from your eyes. The optimal distance is 20 inches.
- Rest your eyes periodically by focusing on an object at least 20 feet away. Blink often.
- Position the monitor at a 90° angle to windows and other light sources to minimize glare and reflections. Adjust the monitor tilt so that ceiling lights do not reflect on your screen.
- If reflected light makes it hard for you to see your screen, use an antiglare filter.
- Adjust the monitor's brightness and contrast controls to enhance readability.
- Use a document holder placed close to the screen.
- Position whatever you are looking at most of the time (the screen or reference material) directly in front of you to minimize turning your head while you are typing.
- Get regular eye checkups.



Ergonomics

To realize the maximum ergonomics benefits, we recommend the following:

- Use the preset Size and Position controls with standard signals
- Use the preset Color Setting
- Use non-interlaced signals with a vertical refresh rate between 60-75Hz
- Do not use primary color blue on a dark background, as it is difficult to see and may produce eye fatigue to insufficient contrast.

Cleaning the LCD Panel

- When the liquid crystal panel becomes dusty or dirty, wipe gently with a soft cloth.
- Do not rub the LCD panel with coarse or hard material.
- Do not apply pressure to the LCD surface
- Do not use OA cleaner as it will cause deterioration or discoloration to the LCD surface.

Cleaning the Cabinet

- Unplug the power supply.
- Dampen a soft cloth with water and a neutral detergent. Gently wipe the cabinet then dry gently with a soft cloth.

NOTE: Many plastics are used on the surface of the cabinet. DO NOT clean with benzene, thinner, alkaline detergent, alcoholic system detergent, glass cleaner, wax, polish cleaner, soap powder, or insecticide. Do not touch rubber or vinyl to the cabinet for a long period of time. These type of fluids and fabrics can cause the paint to deteriorate crack or peel.

For more detailed information on setting up a healthy work environment, write the American National Standard for Human Factors Engineering of Visual Display Terminal Workstations – ANSI-HFS Standard No. 100-1988 – The Human Factors Society, Inc. P.O. Box 1369, Santa Monica, California 90406.

Specifications

Monitor Specifications

AccuSync™ LCD73VX

Notes

LCD Module	Diagonal: 17.0 inch Viewable Image Size: 17.0 inch Native Resolution (Pixel Count): 1280 x 1024	Active matrix; thin film transistor (TFT) liquid crystal display (LCD); 0.264 mm dot pitch; 280cd/m ² white luminance; 700:1 contrast ratio, typical
Input Signal	Video: Analog RGB 0.7 Vp-p/75 Ohms Sync: Separate sync TTL Level (Positive/Negative)	Digital Input: DVI
Display Colors	16.7M	Depending on display card used.
Maximum Viewing Angles	Left/right: 80°/80° (CR>10) Up/Down: 75°/80° (CR>10)	
Synchronization Range	Horizontal: 31.5 kHz to 81.1 kHz Vertical: 56 Hz to 76 Hz	Automatically Automatically
Resolutions Supported	720 x 400*1 : VGA text 640 x 480*1 at 60 Hz to 75 Hz 800 x 600*1 at 56 Hz to 75 Hz 832 x 624*1 at 75 Hz 1024 x 768*1 at 60 Hz to 75 Hz 1152 x 864*1 at 70 Hz to 75 Hz 1152 x 870*1 at 75 Hz 1280 x 960*1 at 60 Hz to 75 Hz 1280 x 1024 at 60 Hz to 75 Hz.....	Some systems may not support all modes listed. NEC DISPLAY SOLUTIONS cites recommended resolution at 60 Hz for optimal display performance.
Active Display Area	Horizontal: 338mm/13.3 inches Vertical: 270mm/10.6 inches	
Power Supply	100-240 V ~ 50/60 Hz	
Current Rating	0.7 - 0.35 A/100-240V 1.5A/100-240V (for Mexico)	
Dimensions	368.0mm (W) x 381.5mm (H) x 209.6mm (D) 14.5 inches (W) x 15.0 inches (H) x 8.3 inches (D)	
Weight	4.3kg 9.5lbs	
Environmental Considerations	Operating Temp.: 5°C to 35°C/41°F to 95°F Humidity: 10% to 80% Altitude: 0 to 10,000 Feet Storage Temperature: -10°C to +60°C/14°F to 140°F Humidity: 10% to 85% Altitude: 0 to 40,000 Feet	

*1 Interpolated Resolutions: When resolutions are shown that are lower than the pixel count of the LCD module, text may appear different. This is normal and necessary for all current flat panel technologies when displaying non-native resolutions full screen. In flat panel technologies, each dot on the screen is actually one pixel, so to expand resolutions to full screen, an interpolation of the resolution must be done.

NOTE: Technical specifications are subject to change without notice.

Specifications –continued

Monitor

Specifications

AccuSync™ LCD93VX

Notes

LCD Module	Diagonal: 19.0 inch Viewable Image Size: 19.0 inch Native Resolution (Pixel Count): 1280 x 1024	Active matrix; thin film transistor (TFT) liquid crystal display (LCD); 0.294 mm dot pitch; 300cd/m ² white luminance; 800:1 contrast ratio, typical
Input Signal	Video: Analog RGB 0.7 Vp-p/75 Ohms Sync: Separate sync TTL Level (Positive/Negative)	Digital Input: DVI
Display Colors	16.7M	Depending on display card used.
Maximum Viewing Angles	Left/right: 80°/80° (CR>10) Up/Down: 80°/80° (CR>10)	
Synchronization Range	Horizontal: 31.5 kHz to 81.1 kHz Vertical: 56 Hz to 76 Hz	Automatically Automatically
Resolutions Supported	720 x 400*1 : VGA text 640 x 480*1 at 60 Hz to 75 Hz 800 x 600*1 at 56 Hz to 75 Hz 832 x 624*1 at 75 Hz 1024 x 768*1 at 60 Hz to 75 Hz 1152 x 864*1 at 70 Hz to 75 Hz 1152 x 870*1 at 75 Hz 1280 x 960*1 at 60 Hz to 75 Hz 1280 x 1024 at 60 Hz to 75 Hz.....	Some systems may not support all modes listed. NEC DISPLAY SOLUTIONS cites recommended resolution at 60 Hz for optimal display performance.
Active Display Area	Horizontal: 376mm/14.8 inches Vertical: 301mm/11.9 inches	
Power Supply	100-240 V ~ 50/60 Hz	
Current Rating	0.75 - 0.4 A/100-240V 1.5A/100-240V (for Mexico)	
Dimensions	405.5mm (W) x 405.5mm (H) x 222.0mm (D) 16.0 inches (W) x 16.0 inches(W) x 8.7 inches (D)	
Weight	4.7kg 10.4lbs	
Environmental Considerations	Operating Temp.: 5°C to 35°C/41°F to 95°F Humidity: 10% to 80% Altitude: 0 to 10,000 Feet Storage Temperature: -10°C to +60°C/14°F to 140°F Humidity: 10% to 85% Altitude: 0 to 40,000 Feet	

*1 Interpolated Resolutions: When resolutions are shown that are lower than the pixel count of the LCD module, text may appear different. This is normal and necessary for all current flat panel technologies when displaying non-native resolutions full screen. In flat panel technologies, each dot on the screen is actually one pixel, so to expand resolutions to full screen, an interpolation of the resolution must be done.

NOTE: Technical specifications are subject to change without notice.

Specifications –continued

Monitor Specifications

AccuSync™ LCD73VXM

Notes

LCD Module	Diagonal: 17.0 inch Viewable Image Size: 17.0 inch Native Resolution (Pixel Count): 1280 x 1024	Active matrix; thin film transistor (TFT) liquid crystal display (LCD); 0.264 mm dot pitch; 280cd/m ² white luminance; 700:1 contrast ratio, typical
Input Signal	Video: Analog RGB 0.7 Vp-p/75 Ohms Sync: Separate sync TTL Level (Positive/Negative) Audio Input: Stereo Mini Jack 1V rms Input	Digital Input: DVI
Output Signal	Headphones: Stereo Mini Jack	
Display Colors	16.7M	Depending on display card used.
Maximum Viewing Angles	Left/right: 80°/80° (CR>10) Up/Down: 75°/80° (CR>10)	
Synchronization Range	Horizontal: 31.5 kHz to 81.1 kHz Vertical: 56 Hz to 76 Hz	Automatically Automatically
Resolutions Supported	720 x 400*1 : VGA text 640 x 480*1 at 60 Hz to 75 Hz 800 x 600*1 at 56 Hz to 75 Hz 832 x 624*1 at 75 Hz 1024 x 768*1 at 60 Hz to 75 Hz 1152 x 864*1 at 60 Hz to 75 Hz 1152 x 870*1 at 75 Hz 1280 x 960*1 at 60 Hz to 75 Hz 1280 x 1024 at 60 Hz to 75 Hz.....	Some systems may not support all modes listed. NEC DISPLAY SOLUTIONS cites recommended resolution at 60 Hz for optimal display performance.
Active Display Area	Horizontal: 338mm/13.3 inches Vertical: 270mm/10.6 inches	
Power Supply	100-240 V ~ 50/60 Hz	
Current Rating	0.7 - 0.35 A/100-240V 1.5A/100-240V (for Mexico)	
Speaker Practical Audio Output	1+1 watts	
Dimensions	368.0mm (W) x 381.5mm (H) x 209.6mm (D) 14.5 inches (W) x 15.0 inches (H) x 8.3 inches (D)	
Weight	4.3kg 9.5lbs	
Environmental Considerations	Operating Temp.: 5°C to 35°C/41°F to 95°F Humidity: 10% to 80% Altitude: 0 to 10,000 Feet Storage Temperature: -10°C to +60°C/14°F to 140°F Humidity: 10% to 85% Altitude: 0 to 40,000 Feet	

*1 Interpolated Resolutions: When resolutions are shown that are lower than the pixel count of the LCD module, text may appear different. This is normal and necessary for all current flat panel technologies when displaying non-native resolutions full screen. In flat panel technologies, each dot on the screen is actually one pixel, so to expand resolutions to full screen, an interpolation of the resolution must be done.

NOTE: Technical specifications are subject to change without notice.

Specifications –continued

Monitor

Specifications

AccuSync™ LCD93VXM

Notes

LCD Module	Diagonal: Viewable Image Size: Native Resolution (Pixel Count):	19.0 inch 19.0 inch 1280 x 1024	Active matrix; thin film transistor (TFT) liquid crystal display (LCD); 0.294 mm dot pitch; 300cd/m ² white luminance; 800:1 contrast ratio, typical
Input Signal	Video: Sync: Audio Input:	Analog RGB 0.7 Vp-p/75 Ohms Separate sync TTL Level (Positive/Negative) Stereo Mini Jack 1V rms Input	Digital Input: DVI
Output Signal	Headphones:	Stereo Mini Jack	
Display Colors		16.7M	Depending on display card used.
Maximum Viewing Angles	Left/right: Up/Down:	80°/80° (CR>10) 80°/80° (CR>10)	
Synchronization Range	Horizontal: Vertical:	31.5 kHz to 81.1 kHz 56 Hz to 76 Hz	Automatically Automatically
Resolutions Supported		720 x 400*1 : VGA text 640 x 480*1 at 60 Hz to 75 Hz 800 x 600*1 at 56 Hz to 75 Hz 832 x 624*1 at 75 Hz 1024 x 768*1 at 60 Hz to 75 Hz 1152 x 864*1 at 70 Hz to 75 Hz 1152 x 870*1 at 75 Hz 1280 x 960*1 at 60 Hz to 75 Hz 1280 x 1024 at 60 Hz to 75 Hz.....	Some systems may not support all modes listed. NEC DISPLAY SOLUTIONS cites recommended resolution at 60 Hz for optimal display performance.
Active Display Area	Horizontal: Vertical:	376mm/14.8 inches 301mm/11.9 inches	
Power Supply		100-240 V ~ 50/60 Hz	
Current Rating		0.75 - 0.4 A/100-240V 1.5A/100-240V (for Mexico)	
Speaker Practical Audio Output		1+1 watts	
Dimensions		405.5mm (W) x 405.5mm (H) x 222.0mm (D) 16.0 inches (W) x 16.0 inches(W) x 8.7 inches (D)	
Weight		4.7kg 10.4lbs	
Environmental Considerations	Operating Temp.: Humidity: Altitude: Storage Temperature: Humidity: Altitude:	5°C to 35°C/41°F to 95°F 10% to 80% 0 to 10,000 Feet -10°C to +60°C/14°F to 140°F 10% to 85% 0 to 40,000 Feet	

*1 Interpolated Resolutions: When resolutions are shown that are lower than the pixel count of the LCD module, text may appear different. This is normal and necessary for all current flat panel technologies when displaying non-native resolutions full screen. In flat panel technologies, each dot on the screen is actually one pixel, so to expand resolutions to full screen, an interpolation of the resolution must be done.

NOTE: Technical specifications are subject to change without notice.

Features

Reduced Footprint: Provides the ideal solution for environments requiring superior image quality but with size and weight limitations. The monitor's small footprint and low weight allow it to be moved or transported easily from one location to another.

AccuColor® Control Systems: Allows you to adjust the colors on your screen and customize the color accuracy of your monitor to a variety of standards.

OSD (On-Screen Display) Controls: Allow you to quickly and easily adjust all elements of your screen image via simple to use on-screen menus.

NaViSet™ Software: NaViSet offers an expanded and intuitive graphical interface, allowing you to more easily adjust OSD display settings via mouse and keyboard.

No-touch Auto Adjust™: No-touch Auto Adjust automatically adjusts the monitor to optimal settings upon initial setup.

ErgoDesign® Features: Enhance human ergonomics to improve the working environment, protect the health of the user and save money. Examples include OSD controls for quick and easy image adjustments, tilt base for preferred angle of vision, small footprint and compliance with MPRII and TCO guidelines for lower emissions.

Plug and Play: The Microsoft® solution with the Windows® operating system facilitates setup and installation by allowing the monitor to send its capabilities (such as screen size and resolutions supported) directly to your computer, automatically optimizing display performance.

IPM® (Intelligent Power Manager) System: Provides innovative power-saving methods that allow the monitor to shift to a lower power consumption level when on but not in use, saving two-thirds of your monitor energy costs, reducing emissions and lowering the air conditioning costs of the workplace.

Multiple Frequency Technology: Automatically adjusts monitor to the display card's scanning frequency, thus displaying the resolution required.

FullScan® Capability: Allows you to use the entire screen area in most resolutions, significantly expanding image size.

VESA® Standard Mounting Interface: Allows users to connect their monitor to any VESA standard third party mounting arm or bracket. Allows for the monitor to be mounted on a wall or an arm using any third party compliant device.

Troubleshooting

No picture

- The signal cable should be completely connected to the display card/computer.
- The display card should be completely seated in its slot.
- Front Power Switch and computer power switch should be in the ON position.
- Check to make sure that a supported mode has been selected on the display card or system being used. (Please consult display card or system manual to change graphics mode.)
- Check the monitor and your display card with respect to compatibility and recommended settings.
- Check the signal input.

Power Button does not respond

- Unplug the power cord of the monitor from the AC outlet to turn off and reset the monitor.

Image Persistence

- Image persistence is when a residual or “ghost” image of a previous image remains visible on the screen. Unlike CRT monitors, LCD monitors’ image persistence is not permanent, but constant images being displayed for a long period of time should be avoided.

To alleviate image persistence, turn off the monitor for as long as the previous image was displayed. For example, if an image was on the monitor for one hour and a residual image remains, the monitor should be turned off for one hour to erase the image.

NOTE: As with all personal display devices, NEC Display Solutions of America, Inc. recommends displaying moving images or using a moving screen saver at regular intervals whenever the screen is idle or turning off the monitor when not in use.

Image is unstable, unfocused or swimming is apparent

- Signal cable should be completely attached to the computer.
- Use the OSD Image Adjust controls to focus and adjust display by increasing or decreasing the FINE control. When the display mode is changed, the OSD Image Adjust settings may need to be readjusted.
- Check the monitor and your display card with respect to compatibility and recommended signal timings.
- If your text is garbled, change the video mode to non-interlace and use 60Hz refresh rate.

LED on monitor is not lit (no green or amber color can be seen)

- Power Switch should be in the ON position and power cord should be connected.

Display image is not sized properly

- Use the OSD Image Adjust controls to increase or decrease the H.SIZE.
- Check to make sure that a supported mode has been selected on the display card or system being used. (Please consult display card or system manual to change graphics mode.)

No Video

- If no video is present on the screen, turn the Power button off and on again.
- Make certain the computer is not in a power-saving mode (touch the keyboard or mouse).

No Sound

- Make sure the speaker cable is properly connected.
- Check to see if mute is activated.
- Check the volume in the OSD menu.

No Sound from Headphones

- Make sure the headphones are properly connected.

References

NEC Monitor Customer Service & Support

Customer Service and Technical Support: (800) 632-4662
Fax: (800) 695-3044

Parts and Accessories/Macintosh

Cable Adapter: (800) 632-4662
Warranty Information: www.necdisplay.com

Online Technical Support www.necdisplay.com

Sales and Product Information

Sales Information Line: (888) 632-6487
Canadian Customers: (866) 771-0266, Ext#: 4037
Government Sales: (800) 284-6320
Government Sales email: gov@necdisplay.com

Electronic Channels

World Wide Web: www.necdisplay.com
Product Registration: www.necdisplay.com
European Operations: www.nec-display-solutions.com

Drivers and Downloads www.necdisplay.com

Limited Warranty

NEC Display Solutions of America, Inc. (hereinafter “NEC DISPLAY SOLUTIONS”) warrants this Product to be free from defects in material and workmanship and, subject to the conditions set forth below, agrees to repair or replace (at NEC DISPLAY SOLUTIONS’ sole option) any part of the enclosed unit which proves defective for a period of one (3) years from the date of first consumer purchase. Spare parts are warranted for ninety (90) days. Replacement parts or unit may be new or refurbished and will meet specifications of the original parts or unit.

This warranty gives you specific legal rights and you may also have other rights, which vary from state to state. This warranty is limited to the original purchaser of the Product and is not transferable. This warranty covers only NEC DISPLAY SOLUTIONS-supplied components. Service required as a result of third party components is not covered under this warranty. In order to be covered under this warranty, the Product must have been purchased in the U.S.A. or Canada by the original purchaser. This warranty only covers Product distribution in the U.S.A. or Canada by NEC DISPLAY SOLUTIONS. No warranty service is provided outside of the U.S.A. or Canada. Proof of Purchase will be required by NEC DISPLAY SOLUTIONS to substantiate date of purchase. Such proof of purchase must be an original bill of sale or receipt containing name and address of seller, purchaser, and the serial number of the product.

It shall be your obligation and expense to have the Product shipped, freight prepaid, or delivered to the authorized reseller from whom it was purchased or other facility authorized by NEC DISPLAY SOLUTIONS to render the services provided hereunder in either the original package or a similar package affording an equal degree of protection. All Products returned to NEC DISPLAY SOLUTIONS for service MUST have prior approval, which may be obtained by calling 1-800-632-4662. The Product shall not have been previously altered, repaired, or serviced by anyone other than a service facility authorized by NEC DISPLAY SOLUTIONS to render such service, the serial number of the product shall not have been altered or removed. In order to be covered by this warranty the Product shall not have been subjected to displaying of fixed images for long periods of time resulting in image persistence (afterimage effects), accident, misuse or abuse or operated contrary to the instructions contained in the User’s Manual. Any such conditions will void this warranty.

NEC DISPLAY SOLUTIONS SHALL NOT BE LIABLE FOR DIRECT, INDIRECT, INCIDENTAL, CONSEQUENTIAL, OR OTHER TYPES OF DAMAGES RESULTING FROM THE USE OF ANY NEC DISPLAY SOLUTIONS PRODUCT OTHER THAN THE LIABILITY STATED ABOVE. THESE WARRANTIES ARE IN LIEU OF ALL OTHER WARRANTIES EXPRESS OR IMPLIED, INCLUDING, BUT NOT LIMITED TO, THE IMPLIED WARRANTIES OF MERCHANTABILITY OR FITNESS FOR A PARTICULAR PURPOSE. SOME STATES DO NOT ALLOW THE EXCLUSION OF IMPLIED WARRANTIES OR THE LIMITATION OR EXCLUSION OF LIABILITY FOR INCIDENTAL OR CONSEQUENTIAL DAMAGES SO THE ABOVE EXCLUSIONS OR LIMITATIONS MAY NOT APPLY TO YOU.

This Product is warranted in accordance with the terms of this limited warranty. Consumers are cautioned that Product performance is affected by system configuration, software, the application, customer data, and operator control of the system, among other factors. While NEC DISPLAY SOLUTIONS Products are considered to be compatible with many systems, specific functional implementation by the customers of the Product may vary. Therefore, suitability of a Product for a specific purpose or application must be determined by consumer and is not warranted by NEC DISPLAY SOLUTIONS.

For the name of your nearest authorized NEC Display Solutions of America, Inc. service facility, contact NEC Display Solutions of America, Inc. at 1-800-632-4662.

TCODevelopment



Congratulations!

The display you have just purchased carries the TCO'03 Displays label. This means that your display is designed, manufactured and tested according to some of the strictest quality and environmental requirements in the world. This makes for a high performance product, designed with the user in focus that also minimizes the impact on our natural environment.

Some of the features of the TCO'03 Display requirements:

Ergonomics

- Good visual ergonomics and image quality in order to improve the working environment for the user and to reduce sight and strain problems. Important parameters are luminance, contrast, resolution, reflectance, colour rendition and image stability.

Energy

- Energy-saving mode after a certain time – beneficial both for the user and the environment
- Electrical safety

Emissions

- Electromagnetic fields
- Noise emissions

Ecology

- The product must be prepared for recycling and the manufacturer must have a certified environmental management system such as EMAS or ISO 14 001
- Restrictions on:
 - chlorinated and brominated flame retardants and polymers
 - heavy metals such as cadmium, mercury and lead.

The requirements included in this label have been developed by TCO Development in co-operation with scientists, experts, users as well as manufacturers all over the world. Since the end of the 1980s TCO has been involved in influencing the development of IT equipment in a more user-friendly direction. Our labelling system started with displays in 1992 and is now requested by users and IT-manufacturers all over the world.

For more information, please visit
www.tcodevelopment.com

Manufacturer's Recycling and Energy Information

NEC DISPLAY SOLUTIONS is strongly committed to environmental protection and sees recycling as one of the company's top priorities in trying to minimize the burden placed on the environment. We are engaged in developing environmentally-friendly products, and always strive to help define and comply with the latest independent standards from agencies such as ISO (International Organization for Standardization) and TCO (Swedish Trades Union).

Disposing of old NEC product

The aim of recycling is to gain environmental benefits by means of reusing, upgrading, reconditioning, or reclaiming old material. Dedicated recycling sites ensure that environmentally harmful components are properly handled and securely disposed.

To ensure the best recycling of our products, NEC DISPLAY SOLUTIONS offers a variety of recycling procedures and gives advice on how to handle the product, in an environmentally sensitive way, once it has reached the end of its life.

All required information concerning the disposal of the product and country-specific information can be found on our following websites:

USA: <http://www.necdisplay.com>

Europe: <http://www.nec-display-solutions.com/greencompany/>

Japan: <http://www.nec-display.com>

Energy saving

This monitor features an advanced energy saving capability. When a VESA Display Power Management Signaling (DPMS) Standard signal is sent to the monitor, the Energy Saving mode is activated. The monitor enters a single Energy Saving mode..

LCD73VX™

Mode	Power Consumption	LED Color
Normal Operation	Approx. 28W	Green
Energy Saving Mode	Less than 2W	Amber
Off Mode	Less than 1W	Unlit

LCD93VX™

Mode	Power Consumption	LED Color
Normal Operation	Approx. 33W	Green
Energy Saving Mode	Less than 2W	Amber
Off Mode	Less than 1W	Unlit

Manufacturer's Recycling and Energy Information *–continued*

LCD73VXM™

Mode	Power Consumption	LED Color
Normal Operation	Approx. 32W	Green
Energy Saving Mode	Less than 2W	Amber
Off Mode	Less than 1W	Unlit

LCD93VXM™

Mode	Power Consumption	LED Color
Normal Operation	Approx. 39W	Green
Energy Saving Mode	Less than 2W	Amber
Off Mode	Less than 1W	Unlit

Declaration of the Manufacturer

We hereby certify that the color monitor LCD73VX™ (L175GZ), LCD93VX™ (L195GY) or LCD73VXM™ (L175GZ), LCD93VXM™ (L195GY)

is in compliance with
Council Directive 73/23/EEC:
– EN 60950-1

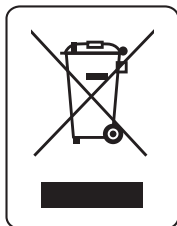
Council Directive 89/336/EEC:
– EN 55022
– EN 61000-3-2
– EN 61000-3-3
– EN 55024

and marked with



NEC Display Solutions, Ltd.
4-13-23, Shibaura,
Minato-Ku
Tokyo 108-0023, Japan

Disposing of your old NEC Products



Within the European Union

EU-wide legislation, as implemented in each Member State, requires that waste electrical and electronic products carrying the mark (left) must be disposed of separately from normal household waste. This includes monitors and electrical accessories, such as signal cables or power cords. When you need to dispose of your NEC display products, please follow the guidance of your local authority, or ask the shop where you purchased the product, or if applicable, follow any agreements made between yourself and NEC. The mark on electrical and electronic products only applies to the current European Union Member States.

Outside the European Union

If you wish to dispose of used electrical and electronic products outside the European Union, please contact your local authority so as to comply with the correct disposal method.



AVERTISSEMENT



AFIN D'ÉVITER TOUT RISQUE D'INCENDIE OU D'ÉLECTROCUTION, NE PAS EXPOSER CET APPAREIL À LA PLUIE OU À L'HUMIDITÉ. NE PAS UTILISER LA FICHE D'ALIMENTATION POLARISÉE AVEC UNE PRISE DE CORDON DE RALLONGE OU AUTRE PRISE SAUF SI LES BROCHES PEUVENT ÊTRE ENTIÈREMENT INTRODUITES.
NE PAS OUVRIR LE BOÎTIER, LEQUEL CONTIENT DES COMPOSANTS À HAUTE TENSION. CONFIER TOUS TRAVAUX À DU PERSONNEL TECHNIQUE QUALIFIÉ.



ATTENTION



ATTENTION : POUR ÉVITER TOUT RISQUE D'ÉLECTROCUTION, NE PAS OUVRIR LE COUVERCLE (L'ARRIÈRE). À L'INTÉRIEUR, AUCUNE PIÈCE NE NÉCESSITE L'INTERVENTION DE L'UTILISATEUR. EN CAS DE PROBLÈME, S'ADRESSER À DU PERSONNEL TECHNIQUE QUALIFIÉ.



Ce symbole est une mise en garde contre les risques d'électrocution que présentent certaines parties dépourvues d'isolation à l'intérieur de l'appareil. Il est donc dangereux d'établir le moindre contact avec ces parties.



Ce symbole prévient l'utilisateur que des directives d'utilisation et de maintenance de cet appareil sont fournies avec ce guide d'utilisateur. Par conséquent, celles-ci doivent être lues attentivement pour éviter tout incident.

Déclaration de conformité – Département des Communications du Canada

DOC : Cet appareil numérique de classe B respecte toutes les exigences du Règlement sur le matériel à l'origine d'interférences du Canada.

C-UL : Ce produit porte la marque «C-UL» et est conforme aux règlements de sécurité canadiens selon CAN/CSA C22.2 No. 60950-1.

Informations FCC

- Utiliser les câbles spécifiés fournis avec le moniteur couleur AccuSync LCD73VX™ (L175GZ), ou AccuSync LCD93VX™ (L195GY), ou AccuSync LCD73VXM™ (L175GZ), ou AccuSync LCD93VXM™ (L195GY) afin de ne pas provoquer d'interférences avec la réception radio et télévision.
 - Prière d'utiliser le câble d'alimentation, câble de signal et câble audio fourni ou équivalent pour assurer la conformité FCC.
 - Veuillez utiliser le câble de signal vidéo et le câble audio blindé fourni.
L'utilisation d'autres câbles et adaptateurs peut provoquer des interférences avec la réception radio et télévision.
- Cet appareil a été testé et s'avère conforme avec les spécifications d'équipements de Classe B, section 1.5 de la réglementation FCC. Ces spécifications ont été établies pour garantir une protection raisonnable contre les interférences nuisibles dans une installation résidentielle. Cet appareil génère, utilise et peut émettre des fréquences radio et, s'il n'est pas installé et utilisé selon les directives de ce guide, il peut perturber les communications radio. Cependant, il n'est pas garanti qu'aucune interférence ne se produira dans une installation donnée.

Si cet appareil provoque des interférences nuisibles à la réception radio ou télévision, ce que vous pouvez déterminer en allumant et en éteignant l'appareil, essayez de remédier au problème en prenant une ou plusieurs des mesures suivantes :

- Réorienter ou repositionner l'antenne de réception.
- Augmenter la distance entre l'appareil et le récepteur.
- Connecter l'appareil à une prise de courant sur un circuit différent de celui sur lequel le récepteur est connecté.
- Consulter son revendeur ou un technicien radio/TV pour obtenir de l'aide.

Changements ou modifications approuvés pas explicitement par la réception responsable pour l'acquiescement pouvons évacuer pour opérer l'équipement l'autorité de l'utilisateur.

Si nécessaire, l'utilisateur doit contacter le revendeur ou un technicien radio/TV afin d'obtenir des informations supplémentaires. L'utilisateur peut se procurer le livret utile suivant, préparé par la Federal Communications Commission : «How to Identify and Resolve Radio-TV Interference Problems» (Comment cerner et résoudre les problèmes d'interférences radio/TV). Ce livret est disponible auprès du U.S. Government Printing Office, Washington, D.C., 20402, Stock No. 004-000-00345-4.

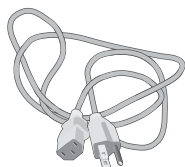
Contenu

La boîte* de votre nouveau moniteur NEC LCD contient :

- Moniteur LCD
- Cordon d'alimentation
- Le Câble de Signal Vidéo
- Le Câble Audio
- Manuel de l'utilisateur
- Support de base
- Support de câble



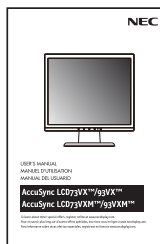
Câble audio
(LCD73VXM / LCD93VXM seulement)



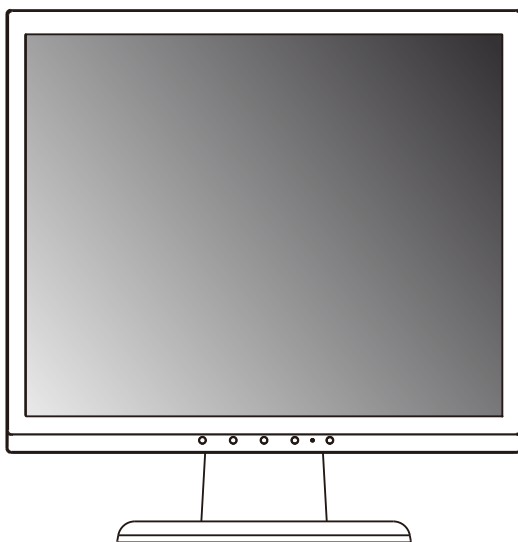
Cordon d'alimentation



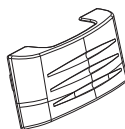
Câble de signal vidéo



Manuel de l'utilisateur



Moniteur LCD
(Socle non connecté)



Support de câble

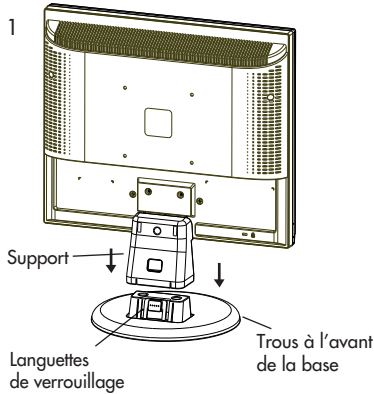
* Ne pas oublier de conserver la boîte et le matériel d'emballage d'origine pour transporter ou expédier le moniteur.

Mise en marche rapide

Pour attacher la base au support LCD :

1. Insérez la partie avant du support LCD dans les trous à l'avant de la base (**Figure 1**).
2. Fixez la base au pied. La languette de sûreté devrait s'insérer dans le trou à l'arrière du pied.

Figure 1



Pour raccorder le moniteur LCD au système, suivez les directives ci-après:

1. Mettez l'ordinateur hors tension.
2. Pour le PC ou le MAC avec le rendement numérique de DVI : Relier le câble de signal de DVI (ne pas inclure) au relieur de la carte d'affichage dans votre système (figure A.1) serrent toutes les vis. Pour le PC avec sortie analogique: Branchez le mini D-SUB à 15 broches du câble de signal au connecteur de la carte d'écran de votre système (**Figure A.2**). Serrez toutes les vis. Pour une configuration MAC: Branchez l'adaptateur de câble Macintosh à l'ordinateur, puis fixez le mini D-SUB à 15 broches du câble de signal à l'adaptateur de câble Macintosh (**Figure A.3**). Serrez toutes les vis.

NOTA : Pour obtenir un adaptateur de câble Macintosh pour le appelez
NEC Display Solutions of America, Inc. au (800) 632-4662.

Figure A.1

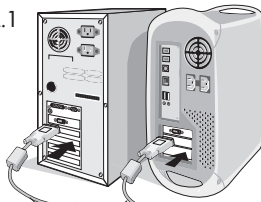


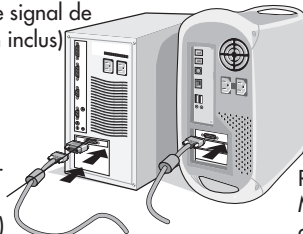
Figure A.2



Câble de signal de DVI (non inclus)

Adaptateur Macintosh (non fourni)

Figure A.3



Remarque: Certains systèmes Macintosh ne nécessitent pas un adaptateur de câble Macintosh.

Mise en marche rapide (suite)

3. Relier tous les câbles aux connecteurs appropriés sur le dos du moniteur (**Figure B.1**). Des écouteurs peuvent être reliés au "Headphones", "O" rendement, sur l'avant du moniteur. Tandis que des écouteurs sont reliés, le bruit des haut-parleurs sera handicapé.
NOTA : Régler la position des câbles sous la fixation pour éviter d'endommager l'appareil.
NOTA : Si vous utilisez ce moniteur à AC125-240V, s'il vous plaît faites référence à section de l'Usage Recommandée de ce manuel pour sélection adéquate d'AC pouvoir cordon.
4. Fixez le support de câble à la base (**Figure C.1**). Placer tous les câbles ensemble entre les trous au fond du stand. Insérez les crochets du support de câble dans les trous à l'arrière du pied et bloquez le support en place en le glissant vers le bas. Ajuster la position des câbles entre le support pour éviter des dommages.
5. Allume l'écran de Silhouette de bouton et l'ordinateur (**Figure D.1**)
6. Auto aucune de tact ajuste automatiquement ajuste l'écran à réglages optimaux sur setup initial pour les plus nombreux minutages. Pour les réajustements plus further, following OSD utilise des réglages:
 - Contraste automatique
 - Réglage automatiquePour une description complète de ces commandes OSD, consultez la section Commandes de ce manuel.
NOTA: des informations sur le télé chargement du fichier INF Windows® pour le moniteur, consultez www.necdisplay.com.
NOTA: case de probl è me, consultez la section Dépannage de ce manuel.

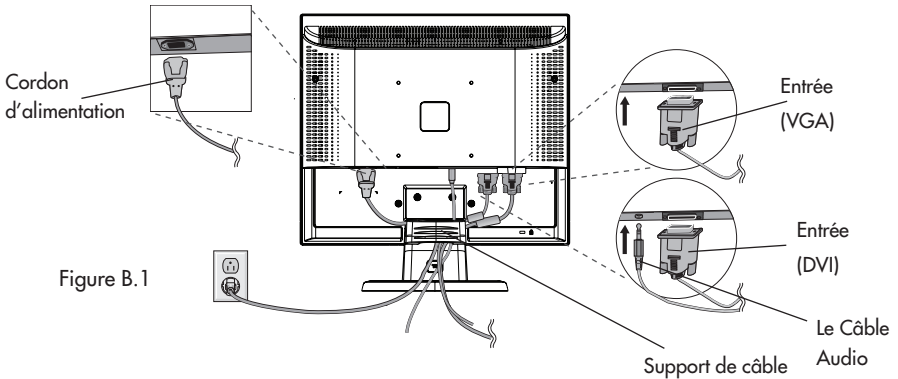


Figure B.1

Figure D.1

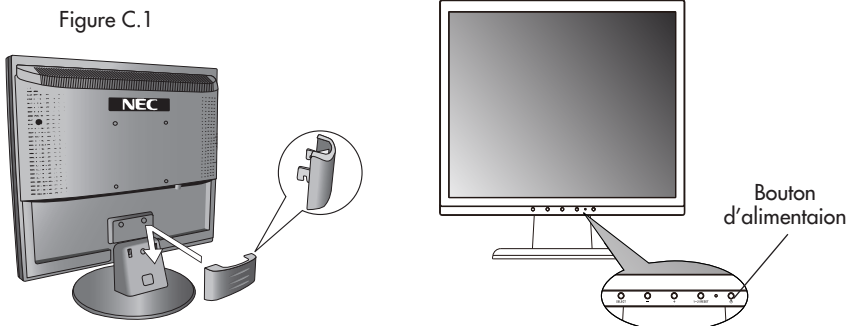


Figure C.1

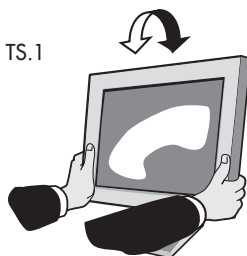
Mise en marche rapide (suite)

Incliner

Attrapez des deux mains l'écran du moniteur par les deux côtés et réglez l'inclinaison et l'orientation selon votre goût. (Figure TS.1)

NOTA: manipulez avec soin en inclinant l'écran de moniteur.

Figure TS.1



Enlever le support du moniteur pour le montage

Pour préparer le moniteur à différents types de montage :

1. Déconnectez tous les câbles.
2. Placez le moniteur avec l'écran vers le bas sur une surface non abrasive (Figure R.1).
3. Enlever les 3 vis qui fixent le moniteur au support et enlever la plaque métallique (Figure R.1).

Vous pouvez à présent modifier le montage du moniteur.

4. Connectez les AC attachent et le Câble de signal vidéo avec une corde au dos du moniteur (Figure R.2).

5. Inversez la marche à suivre pour réinstaller le support.

NOTA : Utilisez uniquement une méthode de montage compatible VESA.

NOTA : Prenez des précautions pour ôter le support du moniteur.

Figure R.1

Surface non
abrasive

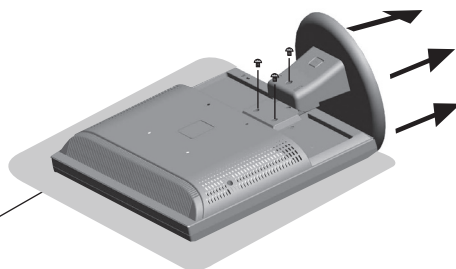
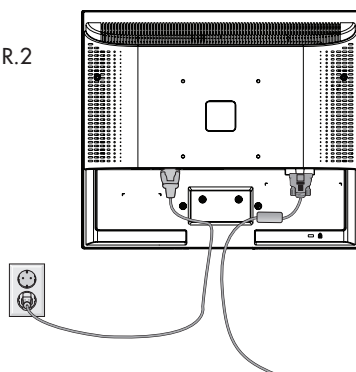


Figure R.2

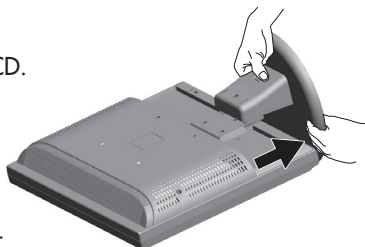


Mise en marche rapide (suite)

Enlever la Base

NOTA : Toujours enlever la base avant d'expédier le LCD.

1. Placer le moniteur partie avant en contact avec une surface non abrasive (**Figure R. 1**).
2. À l'aide de vos pouces, appuyez sur les onglets inférieurs pour déverrouiller.
3. Appuyez sur les onglets supérieurs pour déverrouiller et pour tirer sur le pied.

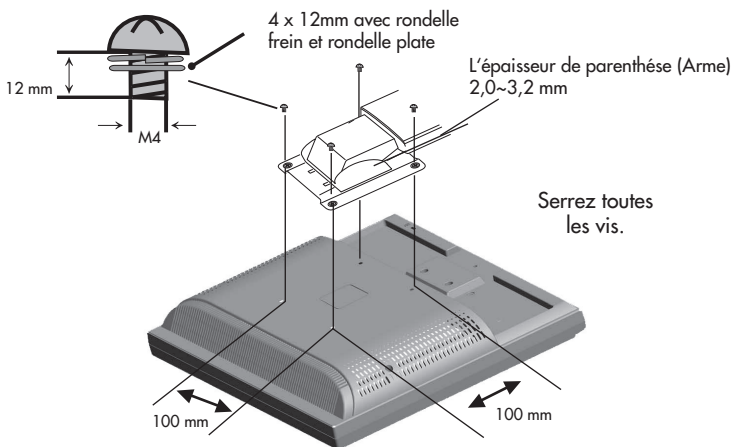


Connexion d'un bras souple

Ce moniteur LCD a été conçu pour être utilisé avec un bras flexible. Utiliser les vis fournies (4pièces) lors de l'installation comme indiqué sur la figure.

Le moniteur doit être installé sur un bras garantissant la stabilité nécessaire correspondant au poids du moniteur.

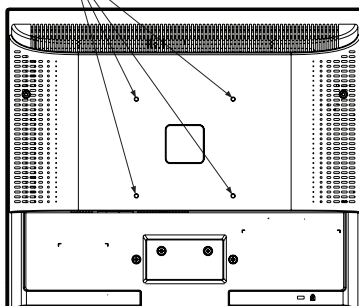
Ce moniteur LCD ne peut être utilisé qu' avec un bras homologué (par ex. marque GS).



Fiche Technique

4 vis (M4)

(MAX depth: 8,5 mm)



Poids of assemblée:

3,9kg - LCD73VX(MAX)

4,3kg - LCD93VX(MAX)

3,9kg - LCD73VXM(MAX)

4,3kg - LCD93VXM(MAX)

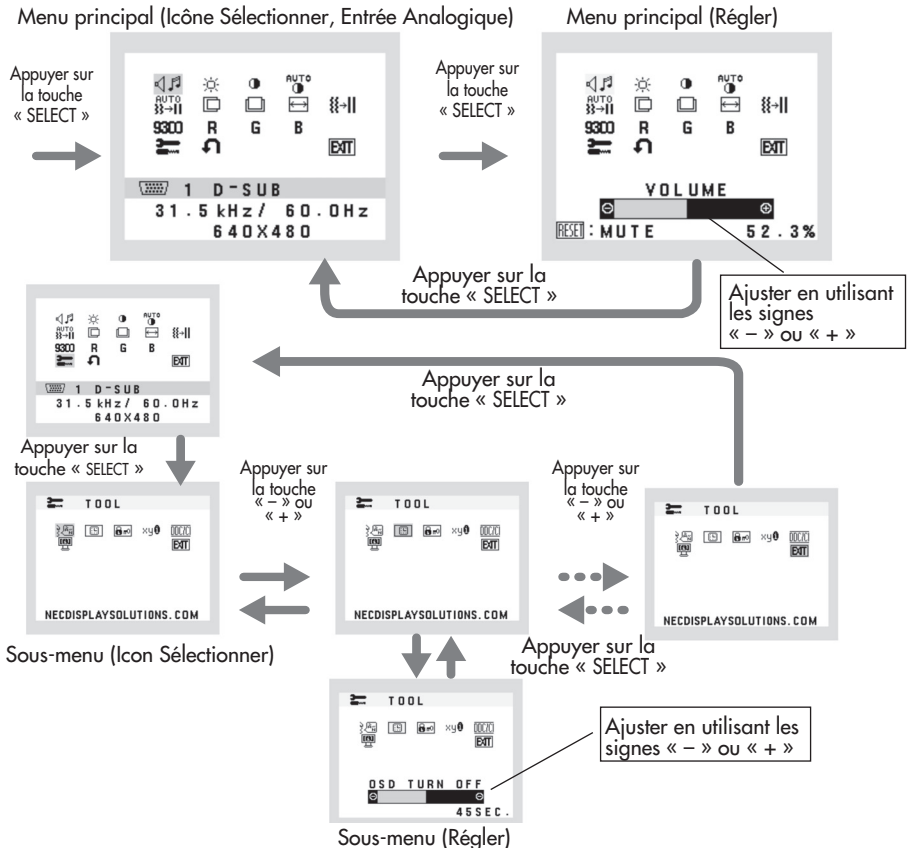
Commandes

Les boutons de réglage OSD situés sur l'avant du moniteur fournissent les fonctions suivantes :

1. Fonction de la touche de base

Button	SELECT	-	+	1 <-> 2 / RESET
Arrêt OSD	OSD affiché	Raccourci à la fenêtre de réglage de luminosité	Raccourci à la fenêtre de réglage de volume (LCD37VXM / LCD93VXM) Raccourci à la fenêtre de contraste ajustent (LCD37VX / LCD93VX)	Signal d'entrée choisi.
OSD en marche (Étage de sélection d'icône)	Permet de se déplacer à l'étage de réglage	Le curseur se déplace vers la gauche	Le curseur se déplace vers la droite	
OSD en marche (étage de réglage)	Permet de se déplacer à l'étage de sélection d'icône	Régler la diminution de valeur ou Le curseur de réglage se déplace à gauche	Régler l'augmentation de valeur ou Le curseur de réglage se déplace à droite	Opération de réinitialisation

2. Structure OSD



Commandes (suite)



AUDIO

Contrôle le volume sain de locuteurs et headphone.

Pour mettre le haut-parleur en sourdine, appuyez sur la touche « 1<->2 / RESET ».



LUMINOSITÉ

Règle la luminosité de l'image générale et de l'écran d'arrière-plan. Pour entrer le mode d'eco, appuyez sur la touche « 1<->2 / RESET ».



CONTRASTE

Règle la luminosité de l'image par rapport à l'arrière-plan.



RÉGLAGE AUTO

Règle l'image affichée pour les modes vidéo non standard (Entrée analogique seulement).



RÉGLAGE AUTOMATIQUE

Règle automatiquement la position, le format horizontal ou la résolution fine (Entrée analogique seulement).



GAUCHE/DROITET

Contrôle la position horizontale de l'image dans la zone d'affichage du LCD (Entrée analogique seulement).



BAS/HAUT

Contrôle la position verticale de l'image dans la zone d'affichage du LCD (Entrée analogique seulement).



SIMPLE

Corrige automatiquement la position horizontale et verticale dans la zone d'affichage du LCD (Entrée analogique seulement).



FIN

Améliore la mise au point, la netteté et la stabilité de l'image en augmentant ou en diminuant la valeur Fin.



SYSTÈMES DE CONTRÔLE DES COULEURS

Cinq préréglages de couleur (9300/7500/sRGB/USER/NATIVE) à choisir de pour l'arrangement désiré de couleur. Le sRGB et les préréglages INDIGÈNES de couleur sont standard et ne peuvent pas être changés.



COULEUR ROUGE

Augmente ou diminue le Rouge. Le changement apparaît à l'écran.



COULEUR VERTE

Augmente ou diminue le Vert. Le changement apparaît à l'écran.



COULEUR BLEUE

Augmente ou diminue le Bleu. Le changement apparaît à l'écran.



OUTIL

La sélection de OUTIL permet d'accéder au sous-menu.



PRÉRÉGLAGE USINE

Cette fonction vous permet de remettre tous les paramètres de l'OSD à leur état d'origine. Une fenêtre d'alerte vous demandera de confirmer si vous désirez rappeler tous les réglages usine. Les réglages individuels peuvent être réinitialisés en mettant en surbrillance la commande à réinitialiser, puis en appuyant sur le bouton "1<->2/RESET".



EXIT

La sélection de QUITTER permet de quitter le menu/ sous-menu OSD.



LANGUE

Les menus de contrôle OSD sont disponibles en huit langues.



EXTINCTION DE L'OSD

Le menu de l'OSD restera actif aussi longtemps que vous l'utiliserez. Dans le menu d'extinction de l'OSD, vous pouvez choisir le temps que mettra l'affichage pour s'effacer après la dernière pression sur une touche. Les temps pré-réglés sont de 10-120 secondes.



VERROUILLAGE OSD

Cette commande permet de verrouiller l'accès à toutes les fonctions de contrôle OSD à l'exception des fonctions Sourdis, Son, Volume, Luminosité et Contraste. En essayant d'accéder au menu lorsqu'il est verrouillé, une fenêtre s'ouvrira à l'écran et vous indiquera que les réglages ne sont pas accessibles. Pour verrouiller, appuyer sur les touches "1<->2/RESET" et "+" simultanément. Pour déverrouiller, appuyer sur les touches "1<->2/RESET" et "+" simultanément.



RESOLUTION NOTIFIER

Lorsque ON est sélectionné pour cette fonction, le message Notification de résolution apparaît de 30 secondes après la non reconnaissance du signal d'entrée en tant que signal la résolution optimale.



MONITOR INFO

Le numéro du modèle et le numéro de série y sont indiqués.



DDC/CI

Tours "Marche/Arrêt" la communication bi-directionnelle et la commande du moniteur. Le DDC/CI étant allumé, quelques arrangements de moniteur peuvent être ajustés par la carte graphique using un ordinateur.

Avertissement OSD: OSD pré-muni menu disparaît sur SELECT bouton.

PAS DE SIGNAL : Cette fonction vous avertit de l'absence de signal. Après la mise sous tension ou si le signal d'entrée a été changé ou si la vidéo est inactive, la fenêtre PAS DE SIGNAL s'affiche.

ERREUR RESOLUTION : Cette fonction vous met en garde contre l'utilisation de la résolution optimale. Après la mise sous tension ou si le signal d'entrée a été changé ou si le signal vidéo ne présente pas la résolution appropriée, la fenêtre Resolution Notifier window s'ouvre. Cette fonction peut être désactivée dans le menu Outils.

HORS LIMITE : Cette fonction recommande la résolution et la fréquence de rafraîchissement optimales. Après la mise sous tension ou si le signal d'entrée a été changé ou si le signal vidéo ne présente pas la synchronisation appropriée, le menu Hors Limite s'affiche.

Usage recommandé

Consignes de sécurité et d'entretien



POUR UN FONCTIONNEMENT OPTIMAL, PRIÈRE DE NOTER CE QUI SUIT POUR LE RÉGLAGE ET L'UTILISATION DU MONITEUR COULEUR LCD :



- **NE PAS OUVRIR LE MONITEUR.** Aucune pièce intérieure ne nécessite l'intervention de l'utilisateur, et l'ouverture ou la dépose des couvercles peut entraîner des risques de décharges électriques dangereuses ou d'autres risques. Confier tous travaux à du personnel technique qualifié.
- Ne pas renverser de liquides dans le boîtier, ni utiliser le moniteur près de l'eau.
- Ne pas introduire d'objets de quelque nature que ce soit dans les fentes du boîtier car ceux-ci pourraient toucher des endroits sous tension dangereuse, ce qui peut provoquer des blessures, voire être fatal, ou peut occasionner une décharge électrique, un incendie ou une panne de l'appareil.
- Ne pas placer d'objets lourds sur le cordon d'alimentation. Un cordon endommagé peut occasionner une décharge électrique ou un incendie.
- Ne pas placer cet appareil sur un chariot, un support ou une table inclinée ou instable, afin d'éviter que le moniteur ne tombe, occasionnant de sérieux dommages au moniteur.
- Pour l'utilisation du moniteur LCD avec l'alimentation AC mondiale de 125-240 V, utiliser un cordon d'alimentation qui correspond à la tension de l'alimentation fournie à la prise de courant AC. Le cordon d'alimentation utilisé doit être agréé et en conformité avec les normes de sécurité de son pays. (Type H05VV-F à utiliser sauf au Europe.)
- Au R, -U., utilisez avec ce moniteur un cordon d'alimentation approuvé BS avec fiche moulée d'un fusible noir (5A). Si un cordon d'alimentation n'a pas été fourni avec ce moniteur, veuillez contacter votre fournisseur.
- Ne placer aucun objet sur le moniteur et ne pas l'utiliser en extérieur.
- Les lampes à l'intérieur de ce produit contiennent du mercure. Veuillez en disposer conformément aux lois locales, provinciales ou fédérales sur l'évacuation des déchets.
- Ne courbe pas le pouvoir du cordon.
- N'utilise pas votre écran dans de hautes températures humides poussiéreuses près d'huile ou.
- Regal toujours glass sur soin.
- Ne couvre pas l'armoire fente ou usage rayonnai mauvaise chaleur.

Débrancher immédiatement le moniteur de la prise murale et confier la réparation à du personnel technique qualifié dans les cas suivants :

- Lorsque le cordon d'alimentation ou la fiche est endommagé(e).
 - Si du liquide a été renversé ou des objets sont tombés à l'intérieur du moniteur.
 - Si le moniteur a été exposé à la pluie ou à de l'eau.
 - Si le moniteur est tombé ou le boîtier est endommagé.
 - Si le moniteur ne fonctionne pas normalement en suivant les directives d'utilisation.
 - Si écran ou verre est rodé, ne supporter pas ne venir pas touche le liquide crystal et manche sur soin.
- Prévoir une aération suffisante autour du moniteur pour que la chaleur puisse se dissiper correctement. Ne pas obstruer les ouvertures de ventilation ni placer le moniteur près d'un radiateur ou autre source de chaleur. Ne rien poser sur le moniteur.
 - La fiche du cordon d'alimentation est le moyen principal de débrancher le système de l'alimentation. Le moniteur doit être installé à proximité d'une prise de courant facilement accessible.
 - Manipuler avec soin lors du transport. Conserver l'emballage pour le transport.



AVERTISSEMENT

Usage recommandé *(suite)*

Persistence de l'image

la persistence de l'image se présente lorsqu'une image résiduelle ou " fantôme " d'une image précédente reste visible sur l'écran. Contrairement aux moniteurs à tube cathodique, la persistence de le l'image des moniteurs LCD n'est pas permanente, mais l'affichage d'images constantes pendant une longue période de temps doit être évitée. Pour remédier à la persistence de l'image, mettez le moniteur hors tension pendant une durée égale à celle de l'affichage de l'image précédente. Par exemple, si une image est restée affichée sur l'écran pendant une heure et qu'il reste une image résiduelle, le moniteur doit être mis hors tension pendant une heure pour effacer l'image.

NOTA: Comme pour tous les équipements d'affichage personnels, NEC Display Solutions of America, Ltd. recommande l'utilisation d'un économiseur d'écran mobile à des intervalles réguliers, à chaque fois que l'écran est en veille, ou d'éteindre le moniteur lorsqu'il n'est pas utilisé.

Usage recommandé (suite)

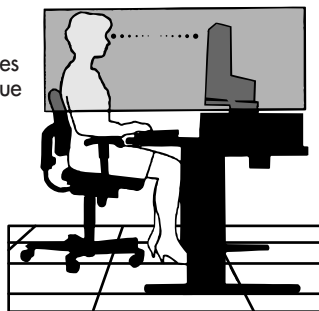


LA MODIFICATION DE LA POSITION ET DU RÉGLAGE DU MONITEUR PEUT RÉDUIRE LA FATIGUE DES YEUX, DES ÉPAULES ET DE LA NUQUE.



OBSERVER LES DIRECTIVES CI-APRÈS LORS DU POSITIONNEMENT DU MONITEUR :

- Pour une performance optimale, laissez le moniteur se réchauffer pendant 20 minutes.
- Régler la hauteur du moniteur de sorte que le dessus de l'écran soit au niveau ou légèrement en-dessous du niveau des yeux. Les yeux doivent regarder légèrement vers le bas lorsque l'on regarde le milieu de l'écran.
- Positionner le moniteur à une distance minimale de 40 cm (16 po) et maximale de 70 cm (28 po) des yeux. La distance optimale est de 50 cm (20 po).
- Reposer ses yeux régulièrement en regardant vers un objet situé à au moins 6 m (20 pieds). Cligner régulièrement.
- Positionner le moniteur à un angle de 90° par rapport aux fenêtres et autres sources de lumière, afin de réduire au maximum les reflets et l'éblouissement. Régler l'inclinaison du moniteur de sorte que l'éclairage du plafond ne soit pas reflété sur l'écran.
- Si une lumière réfléchie rend la vision de l'écran difficile, utiliser un filtre anti-reflet.
- Régler les commandes de luminosité et de contraste du moniteur pour améliorer la lisibilité.
- Utiliser un support de document placé près de l'écran.
- Positionner ce que l'on regarde le plus souvent (l'écran ou les documents de référence) directement devant soi pour réduire au maximum les mouvements de la tête lorsque l'on dactylographie.
- Consulter régulièrement un ophtalmologiste.



Ergonomie

Pour optimiser les avantages ergonomiques, observez les directives suivantes :

- Utiliser les commandes de format et position préprogrammées avec signaux standard .
- Utiliser le réglage couleur et les commandes gauche/droite préprogrammés.
- Utiliser des signaux non entrelacés avec fréquence de rafraîchissement vertical de 60 à 75 Hz.
- Ne pas utiliser la couleur bleu primaire sur fond foncé car cela rend la lecture difficile et peut occasionner de la fatigue oculaire en raison de contraste insuffisant.

Nettoyage de l'écran ACL

- Lorsque l'écran à cristaux liquides est tâché avec de la poussière ou de la saleté, veuillez essuyer la surface doucement avec un chiffon doux.
- Ne frottez pas l'écran ACL avec un matériel rigide.
- N'exercez pas de pression sur le panneau ACL.
- Veuillez ne pas utiliser du nettoyant OA parce qu'il causera une détérioration ou une décoloration continuez avec un chiffon sec.

Nettoyage du coffret

- Débranchez la source d'alimentation.
- Essuyez délicatement le coffret avec un chiffon doux.
- Pour nettoyer le coffret, humidifiez le chiffon avec un détergent neutre et de l'eau, essuyez-le et continuez avec un chiffon sec.

REMARQUE : De nombreux plastiques sont utilisés sur la surface du coffret. N'utilisez PAS de benzène, de diluant, de détergent alcalin, de détergent de système à base d'alcool, de produit nettoyant pour vitres, de cire, de nettoyant pour vernis, de poudre de savon ou d'insecticide. Ne touchez pas le coffret avec du caoutchouc ou du vinyle pendant une longue période. Ces types de liquides ou de matériaux peuvent détériorer, fissurer ou peeler la peinture.

Pour des informations plus détaillées sur l'établissement d'un environnement de travail sain, écrire à American National Standard for Human Factors Engineering of Visual Display Terminal Workstations - ANSI-HFS Standard No. 100-1988 - The Human Factors Society, Inc. P.O. Box 1369, Santa Monica, California 90406.

Fiche technique

Caractér. techn. du moniteur

AccuSync™ LCD73VX

Remarques

Module LCD	Diagonale : 17,0 po Surface utile : 17,0 po Résolution (nombre de pixels) : 1280 x 1024	Matrice active; transistor à film fin (TFT); (affichage à cristaux liquides (LCD)); pas 0,264 mm; luminance blanche 280cd/m ² ; taux de contraste caractéristique 700:1
Signal d'entrée	Vidéo : Analogique RGB 0,7 Vp-p/75 Ohms Sync : Synchro séparée niveau TTL	Entrée digital : DVI
Couleurs d'affichage	16,7M	Dépend de la carte vidéo et synchronisation utilisée.
Angles de visionnement maximal	Gauche/droite : 80°/80° (CR>10) Haut/bas : 75°/80° (CR>10)	
Gamme de synchronisation	Horizontale : 31,5 kHz à 81,1 kHz Verticale : 56 Hz à 76 Hz	Automatique Automatique
Résolutions acceptées	720 x 400*1 : texte VGA 640 x 480*1 @ 60 Hz à 75 Hz 800 x 600*1 @ 56 Hz à 75 Hz 832 x 624*1 @ 75 Hz 1024 x 768*1 @ 60 Hz à 75 Hz 1152 x 864*1 @ 70 Hz à 75 Hz 1152 x 870*1 @ 70 Hz 1280 x 960*1 60 Hz à 75 Hz 1280 x 1024 at 60 Hz à 75 Hz.....	Certains systèmes peuvent ne pas prendre en charge tous les modes listés. NEC DISPLAY SOLUTIONS recommande une résolution à 60 Hz pour des performances d'affichage optimales et couleurs.
Zone d'affichage active	Horizontale : 338 mm/13,3 pouces Verticale : 270 mm/10,6 pouces	
Alimentation	100-240 V ~ 50/60 Hz	
Tension d'alimentation	0,7 - 0,35 A/100-240V 1,5A/100 - 240V (pour le Mexique)	
Dimensions	368,0 mm(L) x 381,5 mm(H) x 209,6 mm(P) 14,5 pouces(L) x 15,0 pouces(H) x 8,3 pouces(P)	
Poids	4,3kg 9,5livres	
Considérations environnementales	Temp. de fonctionnement : 5°C to 35°C/41°F to 95°F Humidité : 10% to 80% Altitude : 0 to 10,000 Feet Temp. de stockage : -10°C to +60°C/14°F to 140°F Humidité : 10% to 85% Altitude : 0 to 40,000 Feet	

*1 Résolutions interpolées : Quand les résolutions affichées sont inférieures au nombre de pixels du module LCD, le texte peut apparaître craquelé et les lignes plus épaisses. Ceci est normal et nécessaire pour toutes les technologies d'affichage sur panneaux plats pour lesquels chaque point de l'écran occupe réellement un pixel. Pour agrandir la résolution à celle du plein écran, une interpolation mathématique de celle-ci est nécessaire. Quand cette résolution interpolée ne correspond pas exactement à un multiple entier de la résolution d'origine, la nécessaire interpolation mathématique peut faire que certaines lignes apparaissent plus épaisses que d'autres.

NOTA : Les spécifications techniques sont susceptibles d'être modifiées sans préavis.

Fiche technique (suite)

Caractéristiques techn. du moniteur

AccuSync™ LCD93VX

Remarques

Module LCD	Diagonale : 19,0 po Surface utile : 19,0 po Résolution (nombre de pixels) : 1280 x 1024	Matrice active; transistor à film fin (TFT); (affichage à cristaux liquides (LCD)); pas 0,294 mm; luminance blanche 300cd/m ² ; taux de contraste caractéristique 800:1
Signal d'entrée	Vidéo : Analogique RGB 0,7 Vp-p/75 Ohms Sync : Synchro séparée niveau TTL.	Entrée digital : DVI
Couleurs d'affichage	16,7M	Dépend de la carte vidéo et synchronisation utilisée.
Angles de visionnement maximal	Gauche/droite : 80°/80° (CR>10) Haut/bas : 80°/80° (CR>10)	
Gamme de synchronisation	Horizontale : 31,5 kHz à 81,1 kHz Verticale : 56 Hz à 76 Hz	Automatique Automatique
Résolutions acceptées	720 x 400* ¹ : texte VGA 640 x 480* ¹ @ 60 Hz à 75 Hz 800 x 600* ¹ @ 56 Hz à 75 Hz 832 x 624* ¹ @ 75 Hz 1024 x 768* ¹ @ 60 Hz à 75 Hz 1152 x 864* ¹ @ 70 Hz à 75 Hz 1152 x 870* ¹ @ 75 Hz 1280 x 960* ¹ 60 Hz à 75 Hz 1280 x 1024 @ 60 Hz à 75 Hz.....	Certains systèmes peuvent ne pas prendre en charge tous les modes listés. NEC DISPLAY SOLUTIONS recommande une résolution à 60 Hz pour des performances d'affichage optimales et couleurs.
Zone d'affichage active	Horizontale : 376 mm/14,8 pouces Verticale : 301 mm/11,9 pouces	
Alimentation	100-240 V ~ 50/60 Hz	
Tension d'alimentation	0,75 - 0,4 A/100-240V 1,5A/100 - 240V (pour le Mexique)	
Dimensions	405,5 mm(L) x 405,5 mm(H) x 222,0 mm(P) 16,0 pouces(L) x 16,0 pouces(H) x 8,7pouces(P)	
Poids	4,7kg 10,4livres	
Considérations environnementales	Temp. de fonctionnement : 5°C to 35°C/41°F to 95°F Humidité : 10% to 80% Altitude : 0 to 10,000 Feet Temp. de stockage : -10°C to +60°C/14°F to 140°F Humidité : 10% to 85% Altitude : 0 to 40,000 Feet	

*¹ Résolutions interpolées : Quand les résolutions affichées sont inférieures au nombre de pixels du module LCD, le texte peut apparaître craquelé et les lignes plus épaisses. Ceci est normal et nécessaire pour toutes les technologies d'affichage sur panneaux plats pour lesquels chaque point de l'écran occupe réellement un pixel. Pour agrandir la résolution à celle du plein écran, une interpolation mathématique de celle-ci est nécessaire. Quand cette résolution interpolée ne correspond pas exactement à un multiple entier de la résolution d'origine, la nécessaire interpolation mathématique peut faire que certaines lignes apparaissent plus épaisses que d'autres.

NOTA : Les spécifications techniques sont susceptibles d'être modifiées sans préavis.

Fiche technique (suite)

Caractér. techn. du moniteur

AccuSync™ LCD73VXM

Remarques

Module LCD	Diagonale : 17,0 po Surface utile : 17,0 po Résolution (nombre de pixels) : 1280 x 1024	Matrice active; transistor à film fin (TFT); (affichage à cristaux liquides (LCD)); pas 0,264 mm; luminance blanche 280cd/m ² ; taux de contraste caractéristique 700:1
Signal d'entrée	Vidéo : Analogique RGB 0,7 Vp-p/75 Ohms Sync : Synchro séparée niveau TTL. Entrée audio : Mini Jack stéréo TV rms entrée	Entrée digital : DVI
Signal de sortie	Écouteurs : Mini Jack stéréo	
Couleurs d'affichage	16,7M	Dépend de la carte vidéo et synchronisation utilisée.
Angles de visionnement maximal	Gauche/droite : 80°/80° (CR>10) Haut/bas : 75°/80° (CR>10)	
Gamme de synchronisation	Horizontale : 31,5 kHz à 81,1 kHz Verticale : 56 Hz à 76 Hz	Automatique Automatique
Résolutions acceptées	720 x 400*1 : texte VGA 640 x 480*1 @ 60 Hz à 75 Hz 800 x 600*1 @ 56 Hz à 75 Hz 832 x 624*1 @ 75 Hz 1024 x 768*1 @ 60 Hz à 75 Hz 1152 x 864*1 @ 60 Hz à 75 Hz 1152 x 870*1 @ 70 Hz 1280 x 960*1 60 Hz à 75 Hz 1280 x 1024 at 60 Hz à 75 Hz.....	Certains systèmes peuvent ne pas prendre en charge tous les modes listés. NEC DISPLAY SOLUTIONS recommande une résolution à 60 Hz pour des performances d'affichage optimales et couleurs.
Zone d'affichage active	Horizontale : 338 mm/13,3 pouces Verticale : 270 mm/10,6 pouces	
Alimentation	100-240 V ~ 50/60 Hz	
Tension d'alimentation	0,7 - 0,35 A/100-240V 1,5A/100 - 240V (pour le Mexique)	
Rendement audio pratique d'orateur	1+1 watts	
Dimensions	368,0 mm(L) x 381,5 mm(H) x 209,6 mm(P) 14,5 pouces(L) x 15,0 pouces(H) x 8,3 pouces(P)	
Poids	4,3kg 9,5livres	
Considérations environnementales	Temp. de fonctionnement : 5°C to 35°C/41°F to 95°F Humidité : 10% to 80% Altitude : 0 to 10,000 Feet Temp. de stockage : -10°C to +60°C/14°F to 140°F Humidité : 10% to 85% Altitude : 0 to 40,000 Feet	

*1 Résolutions interpolées : Quand les résolutions affichées sont inférieures au nombre de pixels du module LCD, le texte peut apparaître craquelé et les lignes plus épaisses. Ceci est normal et nécessaire pour toutes les technologies d'affichage sur panneaux plats pour lesquels chaque point de l'écran occupe réellement un pixel. Pour agrandir la résolution à celle du plein écran, une interpolation mathématique de celle-ci est nécessaire. Quand cette résolution interpolée ne correspond pas exactement à un multiple entier de la résolution d'origine, la nécessaire interpolation mathématique peut faire que certaines lignes apparaissent plus épaisses que d'autres.

NOTA : Les spécifications techniques sont susceptibles d'être modifiées sans préavis.

Fiche technique (suite)

Caractér. techn.

du moniteur

AccuSync™ LCD93VXM

Remarques

Module LCD	Diagonale : 19,0 po Surface utile : 19,0 po Résolution (nombre de pixels) : 1280 x 1024	Matrice active; transistor à film fin (TFT); (affichage à cristaux liquides (LCD)); pas 0,294 mm; luminance blanche 300cd/m ² ; taux de contraste caractéristique 800:1
Signal d'entrée	Vidéo : Analogique RGB 0,7 Vp-p/75 Ohms Sync : Synchro séparée niveau TTL Entrée audio : Mini Jack stéréo 1V rms entrée	Entrée digital : DVI
Signal de sortie	Écouteurs : Mini Jack stéréo	
Couleurs d'affichage	16,7M	Dépend de la carte vidéo et synchronisation utilisée.
Angles de visionnement maximal	Gauche/droite : 80°/80° (CR>10) Haut/bas : 80°/80° (CR>10)	
Gamme de synchronisation	Horizontale : 31,5 kHz à 81,1 kHz Verticale : 56 Hz à 76 Hz	Automatique Automatique
Résolutions acceptées	720 x 400*1 : texte VGA 640 x 480*1 @ 60 Hz à 75 Hz 800 x 600*1 @ 56 Hz à 75 Hz 832 x 624*1 @ 75 Hz 1024 x 768*1 @ 60 Hz à 75 Hz 1152 x 864*1 @ 70Hz à 75 Hz 1152 x 870*1 @ 75 Hz 1280 x 960*1 60 Hz à 75 Hz 1280 x 1024 at 60 Hz à 75 Hz.....	Certains systèmes peuvent ne pas prendre en charge tous les modes listés. NEC DISPLAY SOLUTIONS recommande une résolution à 60 Hz pour des performances d'affichage optimales et couleurs.
Zone d'affichage active	Horizontale : 376 mm/14,8 pouces Verticale : 301 mm/11,9 pouces	
Alimentation	100-240 V ~ 50/60 Hz	
Tension d'alimentation	0,75 - 0,4 A/100-240V 1,5A/100 - 240V (pour le Mexique)	
Rendement audio pratique d'orateur	1+1 watts	
Dimensions	405,5 mm(L) x 405,5 mm(H) x 222,0 mm(P) 16,0 pouces(L) x 16,0 pouces(H) x 8,7pouces(P)	
Poids	4,7kg 10,4livres	
Considérations environnementales	Temp. de fonctionnement : 5°C to 35°C/41°F to 95°F Humidité : 10% to 80% Altitude : 0 to 10,000 Feet Temp. de stockage : -10°C to +60°C/14°F to 140°F Humidité : 10% to 85% Altitude : 0 to 40,000 Feet	

*1 Résolutions interpolées : Quand les résolutions affichées sont inférieures au nombre de pixels du module LCD, le texte peut apparaître craquelé et les lignes plus épaisses. Ceci est normal et nécessaire pour toutes les technologies d'affichage sur panneaux plats pour lesquels chaque point de l'écran occupe réellement un pixel. Pour agrandir la résolution à celle du plein écran, une interpolation mathématique de celle-ci est nécessaire. Quand cette résolution interpolée ne correspond pas exactement à un multiple entier de la résolution d'origine, la nécessaire interpolation mathématique peut faire que certaines lignes apparaissent plus épaisses que d'autres.

NOTA : Les spécifications techniques sont susceptibles d'être modifiées sans préavis.

Encombrement réduit : Constitue la solution idéale pour les environnements qui nécessitent une image de haute qualité et un encombrement et un poids limités. L'encombrement réduit et le faible poids du moniteur permettent de le déplacer ou de le transporter rapidement d'un point à un autre.

Système de commande AccuColor® : Permet de régler les couleurs à l'écran et de personnaliser la précision des couleurs selon diverses normes.

Commandes OSD Display Screen (Gestionnaire à l'écran) : Permet de régler facilement et rapidement tous les éléments de l'image de l'écran via les menus à l'écran simples à utiliser.

Logiciel de NaViSet™ : NaViSet offre augmentée et l'interface graphique intuitive, vous permettant à ajuster plus facilement des configurations d'affichage d'OSD par l'intermédiaire de souris et de clavier.

Auto aucune de tact n'Ajuste™ : pas qu'auto de tact ajuste automatiquement ajuste l'écran à réglages optimaux sur setup initial.

Fonctions ErgoDesign® : Améliore l'ergonomie humaine pour améliorer l'environnement de travail, protéger la santé de l'utilisateur et épargner de l'argent. On peut citer comme exemple les commandes OSD pour un réglage rapide et facile de l'image, un socle inclinable pour un meilleur confort de visualisation et la conformité aux directives MPRII et TCO concernant les réductions d'émissions.

Plug and Play : La solution Microsoft® avec le système d'exploitation Windows® facilite la configuration et l'installation en permettant au moniteur d'envoyer ses capacités (telles que le format et les résolutions d'écran acceptés) directement à l'ordinateur, optimisant ainsi automatiquement les performances d'affichage.

Système IPM® (Intelligent Power Manager/Gestionnaire d'énergie intelligent) : Procure des méthodes d'économie d'énergie novatrices qui permettent au moniteur de passer à un niveau de consommation d'énergie plus faible lorsqu'il est allumé mais non utilisé, épargnant deux tiers des coûts énergétiques, réduisant les émissions et diminuant les coûts de conditionnement d'air du lieu de travail.

Technologie à fréquence multiple : Règle automatiquement le moniteur à la fréquence de la carte vidéo, affichant ainsi la résolution requise.

Capacité FullScan™ (balayage complet) : Permet d'utiliser la totalité de la surface d'écran dans la plupart des résolutions, augmentant ainsi de façon significative la taille de l'image.

Standard VESA® de montage d'interface : Permet à l'utilisateur de raccorder son moniteur à n'importe quel autre bras au baie de montage conforme VESA. Permet de monter le moniteur sur un mur ou un bras à l'aide de n'importe quel autre dispositif compatible.

Dépannage

Pas d'image

- Le câble vidéo doit être bien connecté à la carte d'affichage et à l'ordinateur.
- La carte d'affichage doit être insérée à fond dans son logement.
- Les interrupteurs d'alimentation du moniteur à l'avant et de l'ordinateur doivent être sur la position MARCHE.
- Vérifiez qu'un mode d'affichage autorisé a été sélectionné pour la carte d'affichage ou le système utilisé (veuillez consulter le manuel de votre carte d'affichage ou de votre système pour modifier le mode graphique).
- Vérifier la compatibilité et les paramètres recommandés de votre moniteur et de votre carte d'affichage.
- Vérifiez que le connecteur du câble vidéo ne comporte aucune broche tordue ou rentrée.
- Contrôlez l'entrée de signal.

L'interrupteur d'alimentation ne fonctionne pas

- Déconnectez le cordon d'alimentation de la prise secteur pour mettre le moniteur sous puis hors tension.

Persistance de l'image

- La persistance de l'image se produit lorsque «le fantôme» d'une image reste sur l'écran même après la mise hors tension du moniteur. A la différence de la persistance d'image sur les moniteurs TRC, celle observée sur les moniteurs LCD n'est pas permanente. Pour remédier à la persistance de l'image, mettre le moniteur hors tension pendant une durée égale à celle de l'affichage de l'image. Si une image est restée affichée sur l'écran pendant une heure et qu'il y a «fantôme» de cette image, il faut mettre le moniteur hors tension pendant une heure pour effacer l'image.

NOTE : Tout comme dans le cas des écrans personnels, NEC Display Solutions of America, Inc. recommande images mobiles d'affichage l'utilisation d'un économiseur d'énergie à intervalles réguliers lorsque l'écran n'est pas utilisé.

L'image défile ou est instable

- Le câble vidéo doit être bien connecté à la carte d'affichage et à l'ordinateur.
- Utilisez les boutons de Réglage image OSD pour mettre au point et régler l'affichage en augmentant ou en diminuant la valeur Fin. Lorsque l'affichage est réglé, le Réglage image OSD peut nécessiter un réajustement.
- Vérifier la compatibilité et les réglages recommandés de votre moniteur et de votre carte d'affichage.
- Si votre texte n'est pas net, con Figurez le mode vidéo en non entrelacé à 60Hz.

La LED sur le moniteur n'est pas allumée (Couleur non verte ou ambrée peut être vue)

- L'interrupteur d'alimentation doit être en position MARCHE et le cordon d'alimentation doit être connecté.

L'image n'a pas la bonne taille

- Utilisez les boutons de Réglage image OSD pour augmenter ou diminuer le SIMPLE.
- Vérifiez qu'un mode d'affichage supporté a été sélectionné pour la carte d'affichage ou le système utilisé (veuillez consulter le manuel de votre carte d'affichage ou de votre système pour modifier le mode graphique).

Pas de vidéo

- Si pas de vidéo n'est présent sur l'écran, appuyez le bouton d'alimentation marche et arrêtez encore.
- Assurez-vous que l'ordinateur n'est pas réglé dans le mode d'économie d'énergie (touchez le clavier ou la souris).

Aucun bruit

- S'assurer que le câble de haut-parleur est correctement relié.
- Vérifier pour voir si le muet est activé.
- Vérifier le volume dans le menu d'OSD.

Dépannage *(suite)*

Aucun bruit

- S'assurer que le câble de haut-parleur est correctement relié.
- Vérifier pour voir si le muet est activé.
- Vérifier le volume dans le menu d'OSD.

Aucun bruit des écouteurs

- S'assurer que les écouteurs sont correctement reliés.

Références

Service à la clientèle et assistance technique du moniteur NEC

Service à la clientèle et assistance technique: (800) 632-4662

Télécopieur: (800) 695-3044

Pièces et accessoires/adaptateur
de câble Macintosh:

(800) 632-4662

Information sur la garantie:

www.necdisplay.com

Assistance technique en ligne

www.necdisplay.com

Ventes et information produit

Ligne d'information sur les ventes:

(888) 888-632-6487

Clientèle canadienne:

(866) 771-0266, Ext#: 4037

Ventes au gouvernement:

(800) 284-6320

Adresse électronique du service
des ventes au gouvernement:

gov@necdisplay.com

Courrier électronique

World Wide Web:

www.necdisplay.com

Produit enregistré:

www.necdisplay.com

Opérations Européennes:

www.nec-display-solutions.com

Pilotes et téléchargements

www.necdisplay.com

Garantie limitée

NEC Display Solutions of America, Inc. (ci-après «NEC DISPLAY SOLUTIONS») garantit que ce produit est exempt de vice de fabrication et de main-d'oeuvre et, selon les conditions énoncées ci-dessous, accepte de réparer ou remplacer, à sa discrétion, toute pièce de l'appareil concerné qui s'avérerait défectueuse et ce, pendant une période de un (3) ans à partir de la date d'achat initial. Les pièces de rechange sont garanties pendant quatre-vingt dix (90) jours. Les pièces de rechange ou unités peuvent être neuves ou reconditionnées et seront conformes aux spécifications des pièces et des unités d'origine. Cette garantie vous accorde des droits légaux spécifiques auxquels peuvent s'ajouter d'autres droits pouvant varier d'une juridiction à l'autre. Cette garantie est limitée à l'acheteur d'origine du produit et n'est pas transférable. Cette garantie couvre uniquement les composants fournis par NEC DISPLAY SOLUTIONS. Une réparation requise à la suite de l'utilisation des pièces provenant d'un tiers n'est pas couverte par cette garantie. Pour être couvert par cette garantie, le produit doit avoir été acheté aux États-Unis ou au Canada par l'acheteur d'origine. Cette garantie couvre uniquement la distribution du produit aux États-Unis ou au Canada par NEC DISPLAY SOLUTIONS. Aucune garantie n'est offerte à l'extérieur des États-Unis et du Canada. La preuve d'achat sera exigée par NEC DISPLAY SOLUTIONS pour prouver la date d'achat. Une telle preuve d'achat doit être une facture de vente d'origine ou un reçu reprenant le nom et l'adresse du vendeur, de l'acheteur et le numéro de série du produit.

Pour obtenir un service au titre de la garantie, vous devez expédier le produit en port prépayé ou le déposer chez le revendeur agréé qui vous l'a vendu ou dans un autre centre autorisé par NEC DISPLAY SOLUTIONS, soit dans l'emballage d'origine, soit dans un emballage similaire procurant un niveau équivalent de protection. Avant de retourner tout produit à NEC DISPLAY SOLUTIONS, vous devez d'abord obtenir une autorisation de retour de marchandise en composant le 1-800-632-4662. Le produit ne pourra avoir été enlevé ou modifié, réparé ou entretenu au préalable par personne d'autre que du personnel technique autorisé par NEC DISPLAY SOLUTIONS, et le numéro de série du produit ne pourra pas avoir été enlevé. Pour être couvert par cette garantie, le produit ne pourra pas avoir été soumis à l'affichage d'une image fixe pendant de longues périodes de temps résultant en une persistance de l'image, un accident, une utilisation incorrecte ou abusive ou une utilisation contraire aux directives contenues dans le guide de l'utilisateur. Une seule de ces conditions annulera la garantie.

NEC DISPLAY SOLUTIONS NE POURRA ÊTRE TENUE RESPONSABLE DE DOMMAGES DIRECTS, INDIRECTS, ACCIDENTELS, SECONDAIRES OU D'AUTRES TYPES DE DOMMAGES RÉSULTANT DE L'UTILISATION D'UN PRODUIT QUI N'ENTRENT PAS SOUS LA RESPONSABILITÉ DÉCRITE CI-DESSUS. CES GARANTIES REMPLACENT TOUTE AUTRE GARANTIE EXPLICITE OU IMPLICITE, Y COMPRIS, MAIS SANS S'Y LIMITER, TOUTE GARANTIE DE QUALITÉ MARCHANDE OU D'APTITUDE À UNE FIN PARTICULIÈRE. CERTAINES JURIDICTIONS NE PERMETTANT PAS L'EXCLUSION DE GARANTIES IMPLICITES OU LA LIMITATION OU L'EXCLUSION DE RESPONSABILITÉ POUR DOMMAGES ACCIDENTELS OU SECONDAIRES, LES EXCLUSIONS OU LIMITATIONS CI-DESSUS POURRAIENT NE PAS S'APPLIQUER DANS VOTRE CAS.

Ce produit est garanti selon les termes de cette garantie limitée. Les consommateurs doivent savoir que les performances du produit peuvent varier selon la configuration du système, le logiciel, l'application, les données du client et la manière dont le produit est utilisé par l'opérateur, ainsi que d'autres facteurs. Bien que les produits NEC DISPLAY SOLUTIONS soient considérés compatibles avec de nombreux systèmes, la mise en oeuvre fonctionnelle du produit peut varier d'un client à l'autre. Par conséquent, l'adéquation d'un produit à un besoin ou une application spécifique doit être déterminée par le consommateur et n'est pas garantie par NEC DISPLAY SOLUTIONS.

Pour connaître le nom du centre de service technique agréé NEC Display Solutions of America, Inc. le plus proche, appeler NEC Display Solutions of America, Inc. au 1-800-632-4662.

TCO Development

Félicitations !

L'écran que vous venez d'acheter porte l'étiquette « Displays TCO'03 ». Ceci signifie que votre écran a été conçu, fabriqué, et vérifié selon certaines des directives relatives à la qualité et aux exigences environnementales les plus strictes au monde. Cela permet à un produit de haute performance, conçu avec l'utilisateur comme priorité, de réduire son impact sur notre environnement naturel.



Voici certaines caractéristiques de ces directives « TCO'03 Display » :

Ergonomie

- Bonne ergonomie visuelle et qualité de l'image afin d'améliorer l'environnement de travail des utilisateurs, et afin de réduire les problèmes de vue et de tension nerveuse. Les paramètres importants sont la luminance, le contraste, la résolution, la rémission, le rendu des couleurs et la stabilité de l'image.

Consommation

- Mode économie d'énergie après un certain temps, un avantage à la fois pour l'utilisateur et l'environnement
- Sécurité électrique

Émissions

- Champs électromagnétiques
- Émissions de parasites

Écologie

- Le produit doit être conçu afin d'être recyclable et le fabricant doit disposer d'une certification relative à l'environnement telle qu'EMAS ou ISO 14 001
- Restrictions sur l'usage des :
 - polymères et retardants au feu chlorés ou bromés
 - métaux lourds tels que cadmium, mercure et plomb.

Les directives comprises sous cette étiquette ont été mises au point par « TCO Development » en coopération avec des scientifiques, des experts, des utilisateurs, ainsi que des fabricants du monde entier. Depuis la fin des années 1980, TCO s'est efforcée d'influencer le développement du matériel informatique grâce à une orientation plus conviviale. Notre système d'étiquetage a débuté avec des écrans en 1992 et se retrouve maintenant demandé par des utilisateurs et des fabricants informatiques du monde entier.

Pour obtenir des renseignements supplémentaires, veuillez visiter
www.tcodevelopment.com

Informations du fabricant relatives au recyclage et aux économies d'énergie

NEC-DISPLAY SOLUTIONS est extrêmement résolu à protéger l'environnement et considère le recyclage comme l'une des principales priorités de l'entreprise en essayant de minimiser les répercussions sur l'environnement. Nous nous engageons à développer des produits qui n'ont pas d'impact négatif sur l'environnement et nous nous efforçons toujours de favoriser la définition et le respect des normes indépendantes les plus récentes édictées par les organismes tels ISO (International Organization for Standardization) et TCO (Swedish Trades Union).

Élimination des produits NEC usagés

Le but du recyclage est d'améliorer l'environnement en réutilisant, mettant à niveau, reconditionnant ou en récupérant le matériel. Des sites de recyclage spécialisés s'assurent que les composants nocifs pour l'environnement soient correctement manipulés et éliminés. Pour garantir le meilleur recyclage possible de nos produits, NEC DISPLAY SOLUTIONS propose diverses procédures de recyclage et émet des recommandations quant à la manipulation du produit dans le respect de l'environnement lorsqu'il est arrivé en fin de vie.

Toutes les informations requises concernant l'élimination du produit ainsi que les informations spécifiques à chaque pays concernant les sites de recyclage sont disponibles sur les sites Web suivants :

Etats-Unis : <http://www.necdisplay.com>

Europe : <http://www.nec-display-solutions.com/greencompany/>

Japon : <http://www.nec-display.com>

Économie d'énergie :

Ce moniteur est équipé d'une capacité d'économie d'énergie avancée. Lorsqu'un signal standard VESA de signalisation de gestion de la consommation de l'affichage (DPMS) est envoyé au moniteur, le mode Économie d'énergie est activé. Le moniteur entre en mode simple Économie d'énergie.

LCD73VX™

Mode	Consommation d'énergie	Couleur DEL
Fonctionnement normal	Approx. 28W	vert
Mode économie d'énergie	Moins de 2W	orangé
Mode Arrêt	Moins de 1W	éteint

LCD93VX™

Mode	Consommation d'énergie	Couleur DEL
Fonctionnement normal	Approx. 33W	vert
Mode économie d'énergie	Moins de 2W	orangé
Mode Arrêt	Moins de 1W	éteint

Informations du fabricant relatives au recyclage et aux économies d'énergie (suite)

LCD73VXM™

Mode	Consommation d'énergie	Couleur DEL
Fonctionnement normal	Approx. 32W	vert
Mode économie d'énergie	Moins de 2W	orangé
Mode Arrêt	Moins de 1W	éteint

LCD93VXM™

Mode	Consommation d'énergie	Couleur DEL
Fonctionnement normal	Approx. 39W	vert
Mode économie d'énergie	Moins de 2W	orangé
Mode Arrêt	Moins de 1W	éteint

Déclaration du fabricant

Nous certifions par la présente que les
moniteurs
LCD73VX™ (L175GZ), LCD93VX™
(L195GY) ou
LCD73VXM™ (L175GZ), LCD93VXM™
(L195GY)

sont conformes à
la directive 73/23/EEC du Conseil:
– EN 60950-1

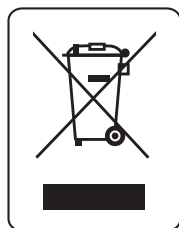
la directive 89/336/EEC du Conseil:
– EN 55022
– EN 61000-3-2
– EN 61000-3-3
– EN 55024

et porte le sigle



NEC Display Solutions, Ltd.
4-13-23, Shibaura,
Minato-Ku
Tokyo 108-0023, Japan

Elimination des anciens produits NEC



Au sein de l'Union Européenne

La législation en vigueur dans tous les états membres de l'Union Européenne exige que tous les déchets électriques et électroniques portant le symbole ci-contre (à gauche) ne soient pas mélangés au reste des déchets ménagers lors de leur élimination. Ceci inclut notamment les moniteurs et accessoires électriques, tels que les câbles-signaux et les cordons d'alimentation. Lorsque vous avez vendu le produit en question, vous pouvez aussi respecter tout accord passé entre NEC et vous-même, le cas échéant. Ce symbole présent sur les produits électriques et électroniques ne s'applique qu'aux membres actuels de l'Union Européenne.

En dehors de l'Union Européenne

Si vous souhaitez vous débarrasser de produits électriques ou électroniques usagés en dehors de l'Union Européenne, veuillez contracter les autorités locales concernées pour respecter les modes de traitement acceptés.

AVIS DE PROPRIÉTÉ EXCLUSIVE ET DE DÉGAGEMENT DE RESPONSABILITÉ

Les informations contenues dans ce document, y compris tous les designs et matériel s'y rapportant, sont la propriété de NEC Display Solutions of America, Inc. et/ou ses concédants. NEC Display Solutions of America, Inc. se réserve les droits de fabrication brevetée, les droits d'auteurs et autres propriétés exclusives à ce document, y compris tous les droits de design, de fabrication, de reproduction, d'utilisation et de vente y afférent, à condition que ces droits n'ont pas été directement délivrés à d'autres.

Les produits de NEC Display Solutions of America, Inc. dont il est question dans ce document sont garantis conformément aux termes de la déclaration de garantie limitée accompagnant chaque produit. Cependant, les performances réelles de chaque produit dépendent de facteurs tels que la configuration du système, les données du client et la manière dont le produit est utilisé. Étant donné que la mise en oeuvre fonctionnelle du produit peut varier d'un client à l'autre, l'adéquation et l'application de configurations spécifiques du produit peuvent être déterminées par le client et ne sont pas garanties par NEC Display Solutions of America, Inc.

Afin de permettre l'amélioration du design et des caractéristiques techniques, les informations contenues dans ce document sont sujettes à modifications sans préavis. La reproduction totale ou partielle de ce document sans l'accord préalable de NEC Display Solutions of America, Inc. est interdite.

DÉCLARATION DE CONFORMITÉ

Cet appareil est conforme à l'article 15 du règlement de la FCC. L'utilisation est soumise à deux conditions. 1) Cet appareil ne peut pas occasionner d'interférences nuisibles, et 2) cet appareil doit accepter toutes interférences reçues, y compris les interférences qui peuvent occasionner un mauvais fonctionnement.

Partie responsable américaine :	NEC Display Solutions of America, Inc.
Adresse :	500 Park Blvd, Suite 1100 Itasca, Illinois 60143
N° tél. :	(630) 467-3000

Type de produit :	Moniteur d'affichage
Classification de l'appareil :	Périphérique classe B
Modèle :	LCD73VX™ (L175GZ) / LCD93VX™ (L195GY) LCD73VXM™ (L175GZ) / LCD93VXM™ (L195GY)



Nous déclarons par la présente que les appareils mentionnés ci-dessus sont conformes aux normes techniques spécifiées dans le règlement de la FCC.

Windows est une marque déposée de Microsoft Corporation. NEC est une marque déposée de NEC Corporation. ENERGY STAR est une marque déposée aux États-Unis. Tous les autres noms de marques et de produits sont des marques de commerce ou des marques déposées de leurs propriétaires respectifs.

En tant que partenaire ENERGY STAR®, NEC Display Solutions of America, Inc. a veillé à ce que ce produit respecte les normes ENERGY STAR en matière de rendement énergétique. Le logo ENERGY STAR ne représente aucun aval par l'EPA de quelque produit ou service que ce soit.

NEC



ADVERTENCIA



PARA EVITAR RIESGOS DE INCENDIO O DESCARGA, NO EXPONGA ESTA UNIDAD A LA LLUVIA O HUMEDAD. TAMPOCO USE EL TOMACORRIENTES POLARIZADO DE ESTA UNIDAD CON EL RECEPTÁCULO DE UN PROLONGADOR U OTRAS SALIDAS A NO SER QUE LAS PUNTAS SE PUEDAN INSERTAR COMPLETAMENTE. ABSTÉNGASE DE ABRIR EL GABINETE YA QUE HAY COMPONENTES DE ALTO VOLTAJE EN SU INTERIOR. CONSULTE AL PERSONAL DE MANTENIMIENTO CAPACITADO.



PRECAUCIÓN:



ADVERTENCIA: PARA REDUCIR EL RIESGO DE DESCARGA ELÉCTRICA, ASEGÚRESE DE QUE EL CABLE DE ALIMENTACIÓN ESTÉ DESENCHUFADO DEL TOMACORRIENTES DE LA PARED. PARA DESCONECTAR COMPLETAMENTE LA CORRIENTE DE LA UNIDAD, DESCONECTE EL CABLE DE ALIMENTACIÓN DEL TOMACORRIENTES CA. NO quite la tapa (o parte trasera). EN EL INTERIOR NO HAY PIEZAS QUE EL USUARIO PUEDA REPARAR. CONSULTE AL PERSONAL DE MANTENIMIENTO CAPACITADO.



Este símbolo le advierte al usuario que el voltaje no aislado dentro de la unidad puede tener la magnitud suficiente para provocar una descarga eléctrica. Por lo tanto, es peligroso hacer cualquier tipo de contacto con cualquier parte dentro de esta unidad.



Este símbolo alerta al usuario que se ha incluido información importante concerniente al funcionamiento y mantenimiento de esta unidad. Por lo tanto, debe leerse cuidadosamente para evitar cualquier problema.

Declaración de Cumplimiento del Departamento Canadiense de Comunicaciones.

DOC: Este aparato digital Clase B cumple con todos los requisitos del Reglamento de Equipos Canadienses Causantes de Interferencias.

C-UL: Tiene la Marca C-UL y cumple con el Reglamento de Seguridad Canadiense de acuerdo con CAN/CSA C22.2 N° 60950-1.

Información FCC

1. Use los cables específicos que se suministran con el monitor a color AccuSync LCD73VX™ (L175GZ), o AccuSync LCD93VX™ (L195GY), o AccuSync LCD73VXM™ (L175GZ), o AccuSync LCD93VXM™ (L175GY) para no provocar interferencias en la recepción de radio y televisión.

(1) Use el cable de alimentación provisto o un equivalente para asegurar el cumplimiento con FCC.

(2) Use la señal de cable de video y el cable del audio revestido provista.

El uso de otros cables y adaptadores puede causar interferencia con la recepción radial y televisiva.

2. Este equipo fue examinado y se concluyó que cumple con los límites para dispositivo digital Clase B, de acuerdo con la sección 15 del Reglamento FCC. Estos límites brindan protección razonable contra interferencia perjudicial en una instalación residencial. Este equipo genera, usa y puede irradiar energía de frecuencia radial, y, si no se instala y usa de acuerdo con las instrucciones, puede causar interferencia nociva a las comunicaciones radiales. Si embargo, no se garantiza que la interferencia no ocurrirá en una instalación particular. Si este equipo causa interferencia nociva a la recepción radial o televisiva, lo cual puede determinarse apagando y prendiendo el equipo, se aconseja al usuario a que trate de corregir la interferencia a través de una o más de las siguientes medidas:

- Reorientar o trasladar la antena receptora.
- Aumentar el espacio entre el equipo y el receptor.
- Conectar el equipo a un tomacorriente de un circuito diferente de aquel al que está conectado el receptor.
- Solicite la asistencia de su vendedor o un técnico especialista en radio/TV.

Los cambios o modificaciones que no estén expresamente aprobados por la parte responsable de los cumplimientos podrían anular los derechos del usuario a utilizar este equipo.

De ser necesario, el usuario deberá contactar al vendedor o a un técnico de radio/televisión capacitado para obtener más sugerencias. Al usuario le puede resultar útil este folleto, preparado por la Comisión Federal de Comunicaciones. "Cómo identificar y resolver problemas de interferencias de radio-televisión". Este folleto está disponible en la Oficina de Prensa de Estados Unidos, Washington D. C., 20402, Stock N° 004-000-00345-4.

Contenidos

La caja del monitor NEC LCD* debe contener lo siguiente:

- Monitor LCD
- Cable de alimentación
- La Señal de Cable de Video
- Cable del Audio
- Manual del usuario
- Soporte de base
- Sujetador de cables



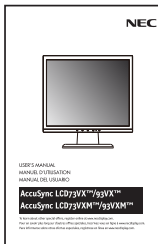
Cable audio
(LCD73VXM/LCD93VXM solamente)



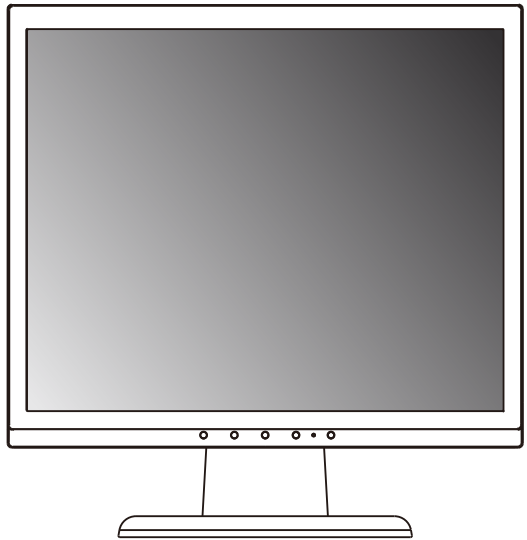
Cable de
alimentación



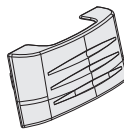
Cable de señal
video



Manual del usuario



Monitor LCD (base no
conectada)



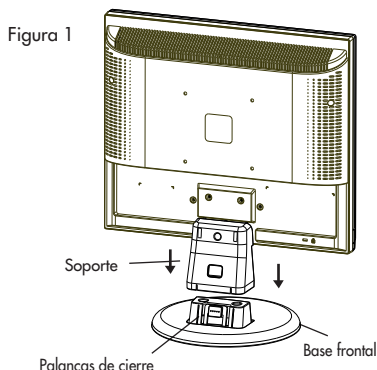
Sujetador de cables

* Recuerde guardar la caja y el material de embalaje original para transportar o enviar el monitor.

Inicio rápido

Para conectar la base al soporte del LCD:

1. Introduzca la parte frontal del soporte del LCD en los orificios del frente de la base (**Figura 1**).
2. Coloque la base en el soporte. La pestaña de cierre de la base debe caer en el orificio que se encuentra en la parte posterior del soporte.



Para conectar el monitor LCD a su sistema, siga estas instrucciones:

1. Apague su computadora.
2. Para la PC o el MAC con salida digital de DVI: Conectar el cable de señal de DVI (no incluir) con la conexión de la tarjeta de la exhibición en tu sistema (**Figura A.1**) aprietan todos los tornillos. Para las PC con salida análoga: Conecte el cable de señal de 15 clavijas mini D-SUB al conector de la tarjeta de visualización de su sistema (**Figura A.2**). Ajuste todos los tornillos.

Para MAC: Conecte el adaptador de cable MultiSync Macintosh a la computadora, luego conecte el cable de señal de 15 clavijas mini D-SUB al adaptador de cable MultiSync Macintosh (**Figura A.3**). Ajuste todos los tornillos.

NOTA: Para obtener el adaptador de cable Macintosh, comuníquese con NEC Display Solutions of America, Inc. al (800) 632-4662.

Figura A.1

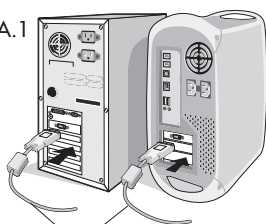
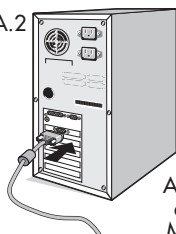


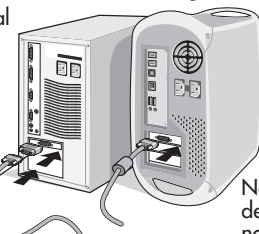
Figura A.2



Cable de señal de DVI (no incluido)

Adaptador de cable Macintosh (no incluido)

Figura A.3



Nota: Algunos sistemas de adaptación Macintosh no requieren una entrada (VGA) para el adaptador de cable Macintosh.

Inicio rápido –continuación

3. Conectar todos los cables con los conectadores apropiados en la parte posterior del monitor (**Figura B.1**). Los auriculares se pueden conectar con el "Headphones" salida, "🔊" en el frente del monitor. Mientras que los auriculares están conectados, el sonido de los altavoces será lisiado.

NOTA: Si usa este monitor a 125-240V CA, consulte la sección Uso recomendado de este manual para obtener información sobre la selección apropiada del cable de alimentación.

4. Coloque el sujetador de cables sobre la base (**Figura C.1**). Colocar todos los cables juntos entre los agujeros en la parte posterior del soporte. Inserte los ganchos en el sujetador de cables en los orificios que se encuentran en la parte posterior del soporte y deslice el sujetador de cables hacia abajo para colocarlo en su posición.

5. Encienda el monitor con el botón frontal de encendido. (**Figura D.1**)

6. El ajuste automático sin contacto ajusta automáticamente el monitor en los valores óptimos durante la configuración inicial para la mayoría de las temporizaciones. Para realizar más ajustes, use los siguientes controles OSD:

- Ajuste automático de contraste
- Ajuste automático

Consulte la sección Controles de este manual del usuario para obtener una descripción completa de estos controles OSD.

NOTA: Para obtener información de descarga sobre el archivo de Windows® INF para su monitor, consulte www.necdisplay.com

NOTA: Si tiene problemas, consulte la sección Solución de problemas de este manual del usuario.

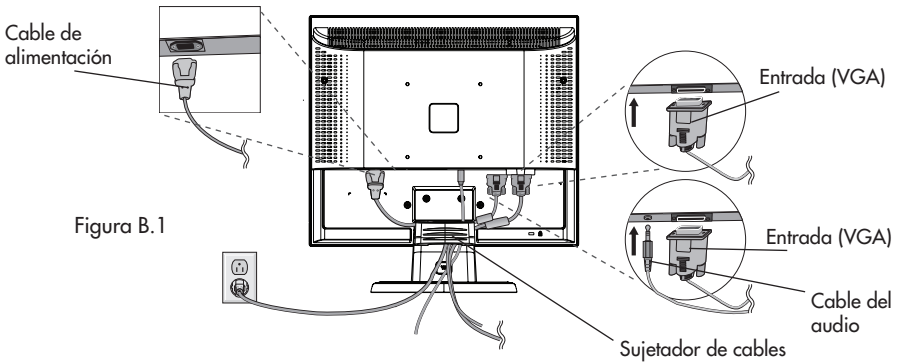


Figura B.1

Figura D.1

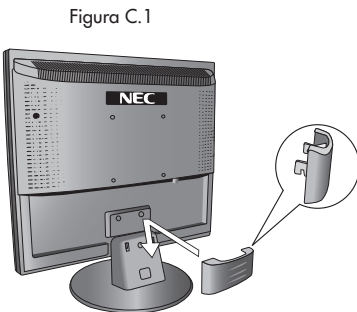
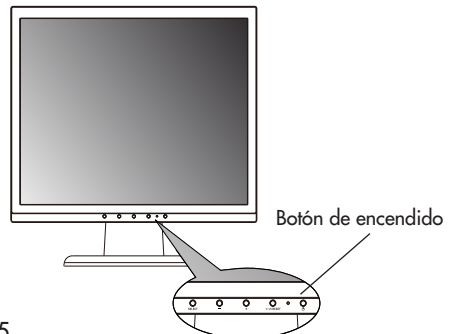


Figura C.1



Inicio rápido –continuación

Inclinación

Sujete ambos lados de la pantalla del monitor con las manos e inclínelo como desee (**Figura TS.1**).

NOTA: Sea cuidadoso cuando incline la pantalla del monitor.

Figura TS.1



Cómo quitar el soporte del monitor para el montaje

To prepare the monitor for alternate mounting purposes:

1. Desconecte todos los cables.
2. Coloque el monitor boca abajo sobre una superficie no abrasiva (**Figura R.1**).
3. Quite los 3 tornillos que conectan el monitor con el soporte y extraiga el soporte del LCD (**Figura R.1**).

El monitor está ahora listo para el montaje en una forma alternativa.

4. Conecte el cable CA y el Cable de señal video a la parte posterior del monitor (**Figura R.2**).
5. Revierta este proceso para volver a colocar la base.

NOTA: Use sólo el método de montaje compatible alternativo.

NOTA: Manipule con cuidado cuando quite el soporte del monitor.

Figura R.1

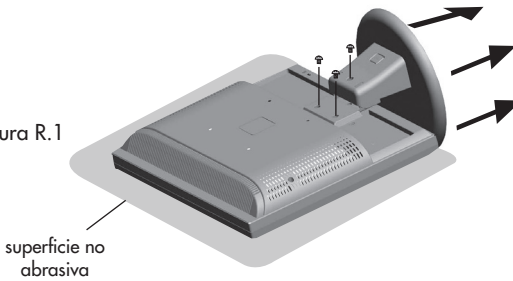
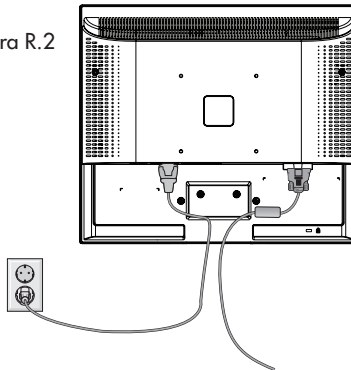


Figura R.2

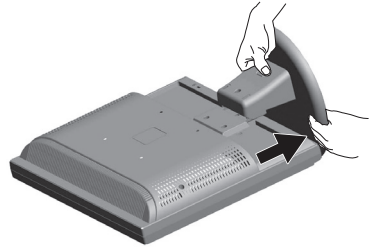


Inicio rápido –continuación

Cómo quitar la base

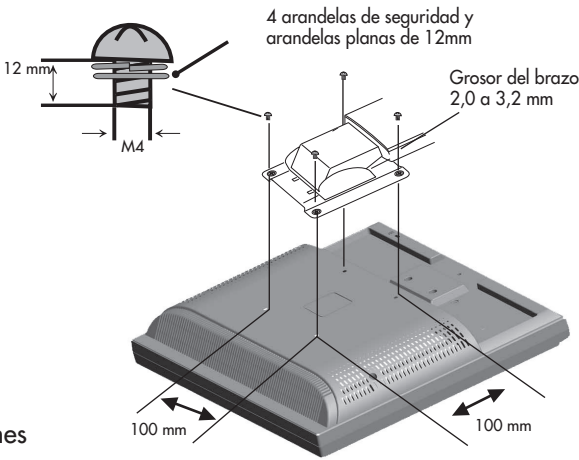
Nota: Siempre quite la base cuando envíe el LCD.

1. Coloque el monitor boca abajo sobre una superficie no abrasiva.
2. Con los pulgares, presione las pestañas inferiores hacia arriba para desbloquear.
3. Presione las pestañas inferiores hacia abajo para desbloquear y retirar el soporte.



Cómo conectar un brazo flexible

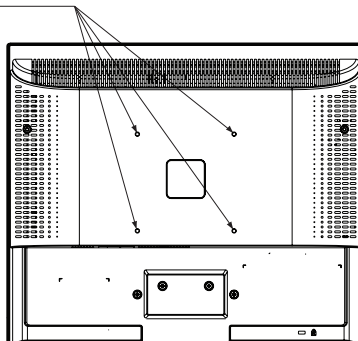
Este monitor LCD está diseñado para utilizarse con un brazo flexible. Cuando realice la instalación, use los tornillos provistos (4 piezas) como se muestra en el gráfico. Para cumplir con los requisitos de seguridad, el monitor debe montarse en un brazo que garantice la estabilidad necesaria teniendo en cuenta el peso del monitor. El monitor LCD sólo se debe utilizar con un brazo aprobado (por ejemplo: Marca GS).



Ajuste todos los tornillos.

Especificaciones

4 TORNILLOS (M4)
(Profundidad MÁXIMA:
8,5 mm)



Peso del ensamblaje del LCD:
3,9kg - LCD73VX(MAX)
4,3kg - LCD93VX(MAX)
3,9kg - LCD73VXM(MAX)
4,3kg - LCD93VXM(MAX)

Controles

Los botones de control OSD (Administrador en pantalla), ubicados en la parte frontal del monitor, funcionan de la siguiente manera:

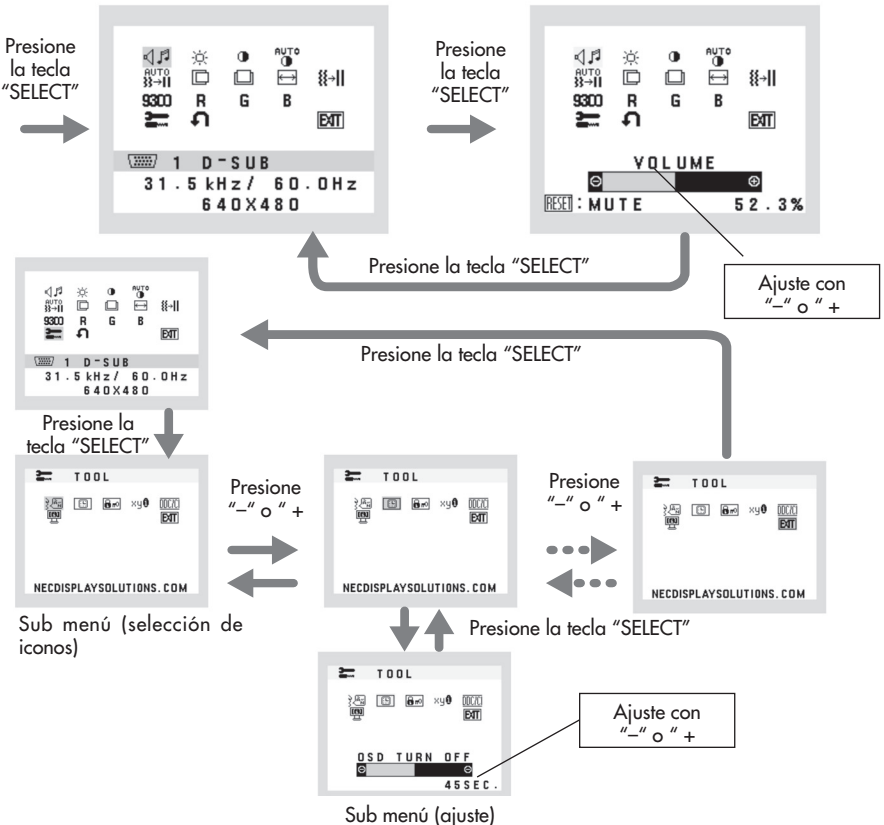
1. Funciones básicas de las teclas

Button	SELECT	-	+	1 <-> 2 / RESET
OSD Apagado	OSD en pantalla	Acceso directo a la ventana de ajuste de brillo	Acceso directo a la ventana de ajuste de volumen (LCD73VXM/LCD93VXM) Acceso directo a la ventana de ajuste al contraste (LCD73VX/LCD93VX)	Selección de señal de entrada
OSD Encendido (fase de selección de iconos)	Ir a la fase de ajuste	El cursor se desplaza hacia la izquierda	El cursor se desplaza hacia la derecha	
OSD Encendido (fase de ajuste)	Ir a la fase de selección de iconos	El valor de ajuste disminuye o el cursor de ajuste se desplaza hacia la izquierda	El valor de ajuste aumenta el cursor de ajuste se desplaza hacia la derecha	Operación de restablecimiento

2. Estructura OSD

Menú principal (selección de iconos, entrada analoga)

Menú principal (ajuste)



Controles –continuación



AUDIO

Controla el volumen de los altavoces o auriculares. Para silenciar la salida de altavoces, presione el botón "1<->2 / RESET".



BRILLO

Ajusta la imagen completa y el brillo del fondo de la pantalla. Para entrar en el modo del Eco, presione el botón "1<->2 / RESET".



CONTRASTE

Ajusta el brillo de imagen en relación con el fondo.



CONTRASTE AUTOMÁTICO

Adjusts the image displayed for non-standard video inputs.



AJUSTA AUTOMÁTICO

Ajusta automáticamente la configuración de posición de la imagen, tamaño H. y Estabilidad.



IZQUIERDA/DERECHA

Configura la posición de imagen horizontal en el área de visualización del LCD.



ABAJO/ARRIBA

Controla la posición de imagen vertical en el área de visualización del LCD.



TAMAÑO H.

Ajusta el tamaño horizontal aumentando o disminuyendo este ajuste.



ESTABILIDAD

Al aumentar o disminuir esta configuración, se mejora el foco, la claridad y la estabilidad de la imagen.



SISTEMAS DE CONTROL DE COLOR

Cinco precolocaciones del color (9300/7500/sRGB/USER/NATIVE) a elegir para del ajuste deseado del color. El sRGB y las precolocaciones NATIVAS del color son estándar y se cambie el cannto.



COLOR ROJO

Aumenta o disminuye el rojo. El cambio aparecerá en la pantalla.



COLOR AZUL

Aumenta o disminuye el azul. El cambio aparecerá en la pantalla.



COLOR BLUE

Aumenta o disminuye el azul. El cambio aparecerá en la pantalla.



HERRAMIENTA

Al seleccionar HERRAMIENTA, puede tener acceso al submenú.

Controles –continuación

PROGRAMACIÓN DE FÁBRICA

Si selecciona la programación de fábrica, puede restablecer todas las configuraciones de control OSD programadas desde fábrica. El botón "1<->2/RESET" debe mantenerse presionado por varios segundos para que funcione. Las configuraciones individuales se pueden restablecer resaltando el control que se desea restablecer y presionando el botón.

SALIDA

Si selecciona SALIDA, puede salir del menú o submenú OSD.

IDIOMA

Los menús de control OSD están disponibles en ocho idiomas.

APAGAR OSD


El menú de control de OSD permanecerá encendido mientras se use. En el submenú APAGAR OSD, usted puede seleccionar el tiempo que esperará el monitor después de la última vez que se tocó un botón para cerrar el menú de control de OSD. Las opciones preseleccionadas son de 10 a 120 segundos con intervalos de 5 segundos.

BLOQUEO DE OSD

Este control bloquea por completo el acceso a todas las funciones de control OSD excepto Brillo y Contraste. Al intentar activar los controles OSD mientras se encuentra en el modo de Bloqueo, aparecerá una pantalla que indicará que los controles OSD están bloqueados. Para activar la función de bloqueo de OSD, presione "1<->2/RESET", luego el botón "+" y manténgalos presionados simultáneamente. Para desactivar el bloqueo de OSD, presione "1<->2/RESET", luego el botón "+" y manténgalos presionados simultáneamente.

NOTIFICADOR DE RESOLUCIÓN

Cuando se lo activa, a los 30 segundos aparece un mensaje en la pantalla que le notifica que la resolución no es óptima.

 Cubas en o de la comunicación de dos vías entre la tarjeta de los gráficos y el monitor. Con DDC/CI girado, algunos ajustes del monitor se pueden ajustar a través de la tarjeta de los gráficos usando una computadora.

INFORMACIÓN SOBRE EL MONITOR

Indica el modelo y los números de serie de su monitor.

Advertencia OSD: Los menús de advertencia OSD desaparecen con el botón SELECT.

SIN SEÑAL: Esta función envía una advertencia cuando no hay señal. Después de presionar el botón de encendido, cuando hay un cambio de la señal de entrada o si el video esta inactivo, aparecerá la ventana Sin señal.

NOTIFICADOR DE RESOLUCIÓN: Esta función avisa que se está utilizando una resolución optimizada. Después de presionar el botón de encendido, cuando hay un cambio de la señal de entrada o si la señal de video no tiene la resolución apropiada, aparecerá la ventana del Notificador de resolución. Esta función se puede deshabilitar desde el menú HERRAMIENTAS.

FUERA DE ALCANCE: Esta función proporciona una recomendación sobre la resolución optimizada y la velocidad de actualización. Después de presionar el botón de encendido, cuando hay un cambio de la señal de entrada o si la señal de video no tiene la sincronización apropiada, aparecerá el menú Fuera de alcance.

Uso recomendado

Precauciones de seguridad y mantenimiento



PARA UN RENDIMIENTO ÓPTIMO, OBSERVE LO SIGUIENTE CUANDO INSTALE Y UTILICE EL MONITOR A COLOR LCD:



- **NO ABRA EL MONITOR.** No hay piezas en el interior que el usuario pueda utilizar y al abrir o sacar tapas puede exponerse a peligrosas descargas eléctricas u otros riesgos. Consulte a personal de mantenimiento capacitado.
- No derrame líquidos en el gabinete ni use su monitor cerca del agua.
- No coloque objetos de ningún tipo en las ranuras del gabinete, ya que pueden tocar puntos de voltaje peligrosos, lo que puede resultar perjudicial o fatal o puede causar descarga eléctrica, incendio o fallas en el equipo.
- No coloque objetos pesados sobre los cables de alimentación. Los daños al cable de alimentación pueden causar descargas o incendios.
- No coloque este producto en un carro, estante o mesa inclinado o inestable, ya que el monitor se puede caer y sufrir un daño importante.
- Cuando el monitor LCD esté funcionando con 125-240V CA, use un cable de alimentación acorde con el voltaje de suministro de corriente del tomacorriente de CA usado. El cable de alimentación que use debe estar aprobado y cumplir con las normas de seguridad de su país. (En Europa se debe usar el Tipo H05VV-F).
- En el Reino Unido, use un cable de alimentación BS aprobado con tomacorrientes moldeado que tenga un fusible (5A) negro instalado para uso con este monitor. Si no se provee un cable de alimentación con este monitor, contacte al proveedor.
- No coloque objetos sobre el monitor y no lo use al aire libre.
- Las lámparas de este producto contienen mercurio. Deséchelas según la ley estatal, local o federal correspondiente.
- No doble el cable de alimentación.
- No use el monitor en zonas de altas temperaturas, húmedas, polvorientas o aceitosas.
- Si se ha roto el vidrio, manipúlelo con cuidado.
- No cubra la ventilación del monitor.

Desconecte de inmediato su monitor del tomacorriente de la pared y consulte al personal de mantenimiento capacitado en los siguientes casos:

- Cuando el cable de alimentación o el tapón estén dañados.
- Si se ha derramado líquido o se han caído objetos dentro del monitor.
- Si se ha expuesto el monitor a la lluvia o al agua.
- Si el monitor se ha caído o se ha dañado el gabinete.
- Si el monitor no funciona normalmente siguiendo las instrucciones de uso.
- Si el monitor o el vidrio está roto, no entre en contacto con el cristal líquido y manipúlelo con cuidado.



PRECAUCIÓN

- Permita que haya una ventilación adecuada alrededor del monitor para que el calor se pueda disipar en forma apropiada. No bloquee aperturas de ventilación ni coloque el monitor cerca de un radiador u otras fuentes de calor. No coloque nada sobre el monitor.
- El cable de alimentación es el medio principal para desconectar el sistema del suministro de corriente. El monitor debe instalarse cerca de un tomacorriente que sea de fácil acceso.
- Manipúlelo con cuidado cuando lo transporte. Guarde el embalaje para transportarlo.

Uso recomendado –continuación

Persistencia de la imagen

La persistencia de la imagen se da cuando una imagen residual o “fantasma” de una imagen previa permanece visible en la pantalla. A diferencia de los monitores CRT, la persistencia de la imagen de los monitores LCD no es permanente, pero deberían evitarse las imágenes constantes que se muestran por un período prolongado de tiempo.

Para aliviar la persistencia de la imagen, apague el monitor durante el tiempo equivalente al que se mostró la imagen previa. Por ejemplo: si una imagen estuvo en el monitor por una hora y se mantiene una imagen residual, el monitor se debe apagar por una hora para borrar la imagen.

NOTA: Como en todos los dispositivos de visualización personales, NEC Display Solution of America, Inc. recomienda utilizar protectores de pantalla con movimiento a intervalos regulares siempre que la pantalla esté inactiva, o apague el monitor si no se va a utilizar

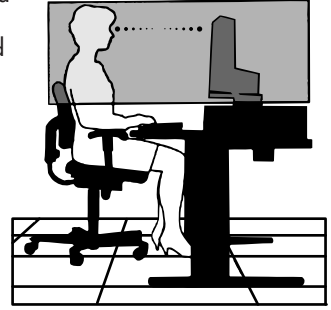
Uso recomendado –continuación



LA UBICACIÓN CORRECTA Y EL AJUSTE DEL MONITOR PUEDE REDUCIR LA FATIGA EN LOS OJOS, HOMBROS Y CUELLO. CUANDO INSTALE EL MONITOR, VERIFIQUE LO SIGUIENTE:



- Para un rendimiento óptimo, espere 20 minutos para que el monitor se caliente.
- Regule la altura del monitor de modo que la parte superior de la pantalla quede apenas por debajo de la altura de la vista. Sus ojos deben mirar apenas hacia abajo cuando visualice la mitad de la pantalla.
- Ubique su monitor a no más de 16 pulgadas (40 cm) de proximidad y no más lejos de las 28 pulgadas (70 cm) de su vista. La distancia óptima es 20 pulgadas (50 cm).
- Descanse la vista periódicamente concentrándose en un objeto ubicado al menos a 20 pies (6 m). Parpadee con frecuencia.
- Ubique el monitor en un ángulo de 90° desde las ventanas y otras fuentes de luz para minimizar el resplandor y el reflejo. Regule la inclinación del monitor de modo que la luz del techo no se refleje en su pantalla.
- Si el reflejo de la luz le dificulta la visión de la pantalla, use un filtro antirreflejos.
- Regule el brillo y los controles de contraste del monitor para mejorar la legibilidad.
- Use un sujetador de documentos cerca de la pantalla.
- Ubique lo que esté mirando la mayor parte del tiempo (la pantalla o material de referencia) directamente al frente para disminuir las veces que gira su cabeza mientras escribe.
- Contrólese la vista regularmente.



Ergonomía

Para lograr los máximos beneficios ergonómicos, le recomendamos lo siguiente:

- Use los controles de tamaño y posición programados con las indicaciones estándares.
- Use la configuración de color predeterminada.
- Use las señales no entrelazadas con un índice de actualización entre 60-75Hz.
- No use el color primario azul en un fondo oscuro, ya que es difícil de ver y puede producir cansancio visual debido al contraste insuficiente.

Limpieza del panel LCD

- Cuando el panel de cristal líquido tenga polvo o se ensucie, limpie cuidadosamente con un paño suave.
- No frote el panel LCD con materiales ásperos o rígidos.
- No ejerza presión sobre la superficie LCD.
- No use un limpiador absorbente de olores ya que deteriorará o decolorará la superficie LCD.

Limpieza del gabinete.

- Desconecte el tomacorriente.
- Humedezca un paño suave con agua y un detergente neutro. Limpie con cuidado el gabinete y luego seque cuidadosamente con un paño suave.

NOTA: Se usan muchos plásticos en la superficie del gabinete. NO limpie con benceno, tiner, detergente alcalino, detergente a base de alcohol, limpiador de vidrio, cera, pomada, jabón en polvo o insecticida. No toque el gabinete con goma o vinilo por un período prolongado. Estos tipos de fluidos y texturas pueden causar el deterioro, agrietamiento o desprendimiento de la pintura.

Para más información específica sobre cómo crear un ambiente de trabajo saludable, escriba a the American National Standard for Human Factors Engineering of Visual Display Terminal Workstations – ANSI-HFS Standard No. 100-1988 –The Human Factors Society, Inc. P.O. Box 1369, Santa Monica, California 90406.

Especificaciones

Especificaciones del monitor

AccuSync™ LCD73VX

Notas

Módulo LCD	Diagonal: Tamaño de la imagen visible: Resolución nativa (cuenta de píxeles):	17,0 pulgadas 17,0 pulgadas 1280 x 1024	Matriz activa; transistor de película delgada (TFT) pantalla de cristal líquido (LCD); tamaño de puntos de 0,264; luminiscencia blanca de 280cd/m ² ; 700:1 relación de contraste normal.
Señal de entrada	Video: Sincronización:	Análoga RGB 0.7 Vp-p/75 Ohmios Análoga separada, Nivel TTL (positivo/negativo)	Entrada digital: DVI (positivo/negativo)
Colores de pantalla		16,7M	Dependen de la tarjeta de visualización utilizada.
Ángulos de visualización máximos	Izquierda/derecha: Vertical:	80°/80° (CR>10) 75°/80° (CR>10)	
Rango de sincronización	Horizontal: Vertical:	31,5 kHz a 81,1 kHz 56 Hz a 76 Hz	Automático Automático
Resoluciones compatibles		720 x 400*1 : Texto VGA 640 x 480*1 a 60 Hz a 75 Hz 800 x 600*1 a 56 Hz a 75 Hz 832 x 624*1 a 75 Hz 1024 x 768*1 a 60 Hz a 75 Hz 1152 x 864*1 a 70 Hz a 75 Hz 1152 x 870*1 a 75 Hz 1280 x 960*1 a 60 Hz a 75 Hz 1280 x 1024 a 60 Hz a 75 Hz.....	Algunos sistemas pueden no ser compatibles con todos los modos enumerados. NEC DISPLAY SOLUTIONS menciona la resolución recomendada a 60 Hz para un rendimiento óptimo.
Área activa de la pantalla	Horizontal: Vertical:	338 mm/13,3 pulgadas 270 mm/10,6 pulgadas	
Fuente de alimentación		100-240 V ~ 50/60 Hz	
Clasificación de corriente		0.7 - 0.35 A/100-240V 1,5A/100 - 240V (para México)	
Dimensiones		368,0mm (ancho) x 381,5mm (alto) x 209,6mm (profundidad) 14,5 pulgadas (ancho) x 15,0 pulgadas (alto) x 8,3 pulgadas (profundidad)	
Peso		4,3kg 9,5libras	
Consideraciones ambientales	Temp. de operación: Humedad: Pies: Temp. de almacenamiento: Humedad: Pies:	5°C a 35°C/41°F a 95°F 10% a 80% 0 a 10,000 Feet -10°C a +60°C/14°F a 140°F 10% a 85% 0 a 40,000 Feet	

*1 Resoluciones interpoladas: Cuando se muestran resoluciones inferiores a la cuenta de píxeles del módulo LCD, el texto puede aparecer diferente. Esto es normal y necesario para todas las tecnologías de paneles planos actuales al visualizar la pantalla completa con resoluciones no nativas. En tecnologías de panel plano, cada punto en la pantalla es en realidad un píxel, por lo tanto para aumentar la resolución a pantalla completa, se debe realizar una interpolación de la resolución.

NOTA: Las especificaciones técnicas están sujetas a cambio sin aviso previo.

Especificaciones –continuación

Especificaciones del monitor

AccuSync™ LCD93VX

Notas

Módulo LCD	Diagonal: Tamaño de la imagen visible: Resolución nativa (cuenta de píxeles):	19,0 pulgadas 19,0 pulgadas 1280 x 1024	Matriz activa; transistor de película delgada (TFT) pantalla de cristal líquido (LCD); tamaño de puntos de 0,294; luminiscencia blanca de 300cd/m ² ; 800:1 relación de contraste normal.
Señal de entrada	Video: Sincronización:	Análoga RGB 0.7 Vp-p/75 Ohmios Sincronización separada, Nivel TTL	Entrada digital: DVI (positivo/negativo)
Colores de pantalla		16,7M	Dependen de la tarjeta de visualización utilizada.
Ángulos de visualización máximos	Izquierda/derecha: Vertical:	80°/80° (CR>10) 80°/80° (CR>10)	
Rango de sincronización	Horizontal: Vertical:	31,5 kHz a 81,1 kHz 56 Hz a 76 Hz	Automático Automático
Resoluciones compatibles		720 x 400*1 : Texto VGA 640 x 480*1 a 60 Hz a 75 Hz 800 x 600*1 a 56 Hz a 75 Hz 832 x 624*1 a 75 Hz 1024 x 768*1 a 60 Hz a 75 Hz 1152 x 864*1 a 70 Hz a 75 Hz 1152 x 870*1 a 75 Hz 1280 x 960*1 a 60 Hz a 75 Hz 1280 x 1024 a 60 Hz a 75 Hz.....	Algunos sistemas pueden no ser compatibles con todos los modos enumerados. NEC DISPLAY SOLUTIONS menciona la resolución recomendada a 60 Hz para un rendimiento óptimo.
Área activa de la pantalla	Horizontal: Vertical:	376 mm/14,8 pulgadas 301 mm/11,9 pulgadas	
Fuente de alimentación		100-240 V ~ 50/60 Hz	
Clasificación de corriente		0.75 - 0.4 A/100-240V 1,5A/100 - 240V (para México)	
Dimensiones		405,5mm (ancho) x 405,5mm (alto) x 222,0mm (profundidad) 16,0 pulgadas (ancho) x 16,0 pulgadas (alto) x 8,7pulgadas (profundidad)	
Peso		4,7kg 10,4libras	
Consideraciones ambientales	Temp. de operación: Humedad: Pies: Temp. de almacenamiento: Humedad: Pies:	5°C a 35°C/41°F a 95°F 10% a 80% 0 a 10,000 Feet -10°C a +60°C/14°F a 140°F 10% a 85% 0 a 40,000 Feet	

*1 Resoluciones interpoladas: Cuando se muestran resoluciones inferiores a la cuenta de píxeles del módulo LCD, el texto puede aparecer diferente. Esto es normal y necesario para todas las tecnologías de paneles planos actuales al visualizar la pantalla completa con resoluciones no nativas. En tecnologías de panel plano, cada punto en la pantalla es en realidad un píxel, por lo tanto para aumentar la resolución a pantalla completa, se debe realizar una interpolación de la resolución.

NOTA: Las especificaciones técnicas están sujetas a cambio sin aviso previo.

Especificaciones –continuación

Especificaciones del monitor

AccuSync™ LCD73VXM

Notas

Módulo LCD	Diagonal: Tamaño de la imagen visible: Resolución nativa (cuenta de píxeles):	17,0 pulgadas 17,0 pulgadas 1280 x 1024	Matriz activa; transistor de película delgada (TFT) pantalla de cristal líquido (LCD); tamaño de puntos de 0,264; luminiscencia blanca de 280cd/m ² ; 700:1 relación de contraste normal.
Señal de entrada	Video: Sincronización: Entrada del audio:	Análoga RGB 0.7 Vp-p/75 Ohmios Sincronización separada, Nivel TTL (positivo/negativo) Mini Jack estéreo entrada de 1V rms	Entrada digital: DVI
Señal de salida	Auriculares:	Mini Jack estéreo	
Colores de pantalla		16,7M	Dependen de la tarjeta de visualización utilizada.
Ángulos de visualización máximos	Izquierda/derecha: Vertical:	80°/80° (CR>10) 75°/80° (CR>10)	
Rango de sincronización	Horizontal: Vertical:	31,5 kHz a 81,1 kHz 56 Hz a 76 Hz	Automático Automático
Resoluciones compatibles		720 x 400*1 : Texto VGA 640 x 480*1 a 60 Hz a 75 Hz 800 x 600*1 a 56 Hz a 75 Hz 832 x 624*1 a 75 Hz 1024 x 768*1 a 60 Hz a 75 Hz 1152 x 864*1 a 60 Hz a 75 Hz 1152 x 870*1 a 75 Hz 1280 x 960*1 a 60 Hz a 75 Hz 1280 x 1024 a 60 Hz a 75 Hz.....	Algunos sistemas pueden no ser compatibles con todos los modos enumerados. NEC DISPLAY SOLUTIONS menciona la resolución recomendada a 60 Hz para un rendimiento óptimo.
Área activa de la pantalla	Horizontal: Vertical:	338 mm/13,3 pulgadas 270 mm/10,6 pulgadas	
Fuente de alimentación		100-240 V ~ 50/60 Hz	
Clasificación de corriente		0.7 - 0.35 A/100-240V 1,5A/100 - 240V (para México)	
Salida audio práctica del altavoz		1+1 vatios	
Dimensiones		368,0mm (ancho) x 381,5mm (alto) x 209,6mm (profundidad) 14,5 pulgadas (ancho) x 15,0 pulgadas (alto) x 8,3 pulgadas (profundidad)	
Peso		4,3kg 9,5libras	
Consideraciones ambientales	Temp. de operación: Humedad: Pies: Temp. de almacenamiento: Humedad: Pies:	5°C a 35°C/41°F a 95°F 10% a 80% 0 a 10,000 Feet -10°C a +60°C/14°F a 140°F 10% a 85% 0 a 40,000 Feet	

*1 Resoluciones interpoladas: Cuando se muestran resoluciones inferiores a la cuenta de píxeles del módulo LCD, el texto puede aparecer diferente. Esto es normal y necesario para todas las tecnologías de paneles planos actuales al visualizar la pantalla completa con resoluciones no nativas. En tecnologías de panel plano, cada punto en la pantalla es en realidad un píxel, por lo tanto para aumentar la resolución a pantalla completa, se debe realizar una interpolación de la resolución.

NOTA: Las especificaciones técnicas están sujetas a cambio sin aviso previo.

Especificaciones –continuación

Especificaciones del monitor

AccuSync™ LCD93VXM

Notas

Módulo LCD	Diagonal: Tamaño de la imagen visible: Resolución nativa (cuenta de píxeles):	19,0 pulgadas 19,0 pulgadas 1280 x 1024	Matriz activa; transistor de película delgada (TFT) pantalla de cristal líquido (LCD); tamaño de puntos de 0,294; luminiscencia blanca de 300cd/m ² ; 800:1 relación de contraste normal.
Señal de entrada	Video: Sincronización: Entrada del audio:	Análoga RGB 0.7 Vp-p/75 Ohmios Sincronización separada, Nivel TTL (positivo/negativo) Mini Jack estéreo entrada de 1V rms	Entrada digital: DVI
Señal de salida	Auriculares:	Mini Jack estéreo	
Colores de pantalla		16,7M	Dependen de la tarjeta de visualización utilizada.
Ángulos de visualización máximos	Izquierda/derecha: Vertical:	80°/80° (CR>10) 80°/80° (CR>10)	
Rango de sincronización	Horizontal: Vertical:	31,5 kHz a 81,1 kHz 56 Hz a 76 Hz	Automático Automático
Resoluciones compatibles		720 x 400*1 : Texto VGA 640 x 480*1 a 60 Hz a 75 Hz 800 x 600*1 a 56 Hz a 75 Hz 832 x 624*1 a 75 Hz 1024 x 768*1 a 60 Hz a 75 Hz 1152 x 864*1 a 70 Hz a 75 Hz 1152 x 870*1 a 75 Hz 1280 x 960*1 a 60 Hz a 75 Hz 1280 x 1024 a 60 Hz a 75 Hz.....	Algunos sistemas pueden no ser compatibles con todos los modos enumerados. NEC DISPLAY SOLUTIONS menciona la resolución recomendada a 60 Hz para un rendimiento óptimo.
Área activa de la pantalla	Horizontal: Vertical:	376 mm/14,8 pulgadas 301 mm/11,9 pulgadas	
Fuente de alimentación		100-240 V ~ 50/60 Hz	
Clasificación de corriente		0.75 - 0.4 A/100-240V 1,5A/100 - 240V (para México)	
Salida audio práctica del altavoz		1+1 vatios	
Dimensiones		405,5mm (ancho) x 405,5mm (alto) x 222,0mm (profundidad) 16,0 pulgadas (ancho) x 16,0 pulgadas (alto) x 8,7pulgadas (profundidad)	
Peso		4,7kg 10,4libras	
Consideraciones ambientales	Temp. de operación: Humedad: Pies: Temp. de almacenamiento: Humedad: Pies:	5°C a 35°C/41°F a 95°F 10% a 80% 0 a 10,000 Feet -10°C a +60°C/14°F a 140°F 10% a 85% 0 a 40,000 Feet	

*1 Resoluciones interpoladas: Cuando se muestran resoluciones inferiores a la cuenta de píxeles del módulo LCD, el texto puede aparecer diferente. Esto es normal y necesario para todas las tecnologías de paneles planos actuales al visualizar la pantalla completa con resoluciones no nativas. En tecnologías de panel plano, cada punto en la pantalla es en realidad un píxel, por lo tanto para aumentar la resolución a pantalla completa, se debe realizar una interpolación de la resolución.

NOTA: Las especificaciones técnicas están sujetas a cambio sin aviso previo.

Características

Tamaño reducido: Brinda la solución ideal para entornos que requieren una calidad de imagen superior pero con limitaciones de tamaño y peso. El tamaño pequeño y el bajo peso del monitor permiten trasladarlo o transportarlo fácilmente de un lugar a otro.

Sistemas de control AccuColor®: Le permite ajustar los colores de la pantalla y personalizar la precisión de color del monitor a una variedad de patrones de color.

Controles OSD (Administrador de pantalla): Permiten ajustar rápida y fácilmente todos los elementos de la imagen de la pantalla mediante menús en pantalla de uso sencillo.

Software NaViSet™: NaViSet ofrece una interfaz gráfica expandida e intuitiva que le permite ajustar de manera más sencilla la configuración en pantalla de OSD mediante el mouse y el teclado.

No-touch Auto Adjust™ (Ajuste automático sin contacto): El ajuste automático sin contacto ajusta automáticamente el monitor en los valores óptimos durante la configuración inicial.

Características de ErgoDesign®: Mejora la ergonomía para optimizar el entorno de trabajo, proteger la salud del usuario y ahorrar dinero. Los ejemplos comprenden los controles OSD para ajustar la imagen rápida y fácilmente, la base inclinable para obtener un mejor ángulo de visión, la superficie de apoyo reducida y el cumplimiento de las pautas de MPRII y TCO para emisiones menores.

Conectar y usar: La solución de Microsoft® con los sistemas operativos Windows® facilita la configuración e instalación al permitir que el monitor envíe directamente a su computadora sus características (como el tamaño de pantalla y las resoluciones admitidas), lo cual optimiza automáticamente la calidad de la imagen.

Sistema IPM® (Administrador inteligente de energía): Proporciona métodos de ahorro de energía innovadores que permiten que el monitor consuma menos energía cuando está encendido pero no se está utilizando, lo que supone un ahorro de dos tercios de los costos de energía del monitor, y reduce las emisiones y baja los costos de aire acondicionado del lugar de trabajo.

Tecnología de frecuencia múltiple: Ajusta automáticamente el monitor a la frecuencia de escaneo de la tarjeta del monitor que de esa manera muestra la resolución requerida.

Capacidad FullScan®: Le permite utilizar el área de la pantalla completa en la mayoría de las resoluciones, lo cual aumenta de manera significativa el tamaño de la imagen.

Interfaz de montaje estándar VESA®: Permite a los usuarios conectar su monitor a cualquier brazo o soporte de montaje estándar VESA. Permite montar el monitor en una pared o brazo usando cualquier dispositivo compatible de terceros.

Solución de problemas

Sin imagen

- El cable de señal debe estar conectado por completo a la tarjeta de visualización/computadora.
- La tarjeta de visualización debe estar colocada por completo en la ranura.
- El botón de encendido frontal y el botón de encendido de la computadora deben estar en la posición de ENCENDIDO.
- Asegúrese de que se ha elegido un modo compatible con la tarjeta de visualización o el sistema que se está utilizando. (Consulte el manual de la tarjeta de visualización o del sistema para cambiar el modo gráfico).
- Controle el monitor y la tarjeta de visualización en lo que respecta a la compatibilidad y a las configuraciones recomendadas.
- Controle la señal de entrada.

El botón de encendido no responde

- Desconecte el cable de alimentación del monitor del tomacorriente CA para apagar y reiniciar el monitor.

Persistencia de la imagen

- La persistencia de la imagen se da cuando una imagen residual o “fantasma” de una imagen previa permanece visible en la pantalla. A diferencia de los monitores CRT, la persistencia de la imagen de los monitores LCD no es permanente, pero deberían evitarse las imágenes constantes que se muestran por un período prolongado de tiempo.

Para aliviar la persistencia de la imagen, apague el monitor durante el tiempo equivalente al que se mostró la imagen previa. Por ejemplo: si una imagen estuvo en el monitor por una hora y se mantiene una imagen residual, el monitor se debe apagar por una hora para borrar la imagen.

NOTA: As with all personal display devices, NEC Display Solutions of America, Inc. recommComo en todos los dispositivos de visualización personales, NEC Display Solutions of America, Inc. recomienda utilizar imágenes o protectores de pantalla con movimiento a intervalos regulares siempre que la pantalla esté inactiva, o apague el monitor si no se va a utilizar.

La imagen es inestable, está fuera de foco o la distorsión es aparente

- El cable de señal debe estar conectado por completo a la computadora.
- Use los controles de ajuste de la imagen OSM para enfocar y ajustar la visualización aumentando o reduciendo el control de ESTABILIDAD. Cuando se cambia el modo de visualización, la configuración de ajuste de la imagen OSM puede necesitar un reajuste.
- Controle el monitor y la tarjeta de visualización en lo que respecta a la compatibilidad y a las sincronizaciones de señal recomendadas.
- Si el texto esta distorsionado, cambie el modo de video a no entrelazado y utilice una velocidad de actualización de 60Hz.

El LED en el monitor no está encendido *(no se ve ni un color verde ni ámbar)*

- El botón de encendido debe estar en la posición de ENCENDIDO y el cable de alimentación debe estar conectado.

La imagen de la pantalla no posee el tamaño apropiado

- Use los controles de ajuste de la imagen de OSM para aumentar o reducir el TAMAÑO H.
- Asegúrese de que se ha elegido un modo compatible con la tarjeta de visualización o el sistema que se está utilizando. (Consulte el manual de la tarjeta de visualización o del sistema para cambiar el modo gráfico).

Sin video

- Si no aparece un video en la pantalla, apague y encienda nuevamente con el botón de encendido.
- Asegúrese de que la computadora no esté en un modo de ahorro de energía (toque el teclado o el mouse).

Solución de problemas –*continuación*

Sin Sonido

- Asegúrese de que el cable del altavoz esté conectado correctamente.
- Comprobar para ver si activan al mudo.
- Comprobar el volumen en el menú de OSD.

Sin sonido de los auriculares

- Asegúrese de que los auriculares estén conectados correctamente.

Referencias

Servicio de atención y asistencia al cliente de monitores NEC

Servicio de atención al cliente

y soporte técnico:

(800) 632-4662

Fax: (800) 695-3044

Piezas y accesorios/Macintosh

Adaptador de cable:

(800) 632-4662

Información sobre la garantía:

www.necdisplay.com

Soporte técnico en línea

www.necdisplay.com

Información sobre ventas y productos

Línea de información sobre ventas:

(888) 632-6487

Clientes canadienses:

(866) 771-0266, Ext#: 4037

Ventas gubernamentales:

(800) 284-6320

Ventas gubernamentales

correo electrónico:

gov@necdisplay.com

Canales electrónicos

Internet:

www.necdisplay.com

Registro de productos:

www.necdisplay.com

Operaciones europeas:

www.nec-display-solutions.com

Controladores y descargas

www.necdisplay.com

Garantía limitada

NEC Display Solutions of America, Inc. (de aquí en más “NEC DISPLAY SOLUTIONS”) garantiza que este Producto está libre de defectos de material y fabricación y que está sujeto a las condiciones aquí expuestas, acepta reparar o reemplazar (a exclusivo criterio de NEC DISPLAY SOLUTIONS) cualquiera de las piezas de la unidad adjunta que se prueben defectuosas durante un período de uno (3) años a partir de la fecha de la primera compra del consumidor. Los repuestos tienen una garantía de noventa (90) días. Las piezas de repuesto o la unidad pueden ser nuevas o reconstruidas y cumplirán con las especificaciones de la unidad o de las piezas originales.

Esta garantía le otorga derechos legales específicos, además de otros derechos que usted puede tener y que varían de estado a estado. Esta garantía se extiende al comprador original del Producto y no es transferible. Esta garantía sólo cubre componentes suministrados por NEC DISPLAY SOLUTIONS. El mantenimiento que se requiera como resultado de componentes de terceros no está cubierto por esta garantía. Para que esta garantía cubra al Producto, el mismo se debe haber comprado en los EE. UU. o Canadá por el comprador original. La presente garantía sólo cubre la distribución del Producto en los EE. UU. o Canadá por parte de NEC DISPLAY SOLUTIONS. No se proporciona servicio de garantía fuera de los EE. UU. o Canadá. NEC DISPLAY SOLUTIONS requerirá la presentación de la prueba de compra para corroborar la fecha de la misma. Dicha prueba de compra debe ser una factura o recibo que contenga el nombre y domicilio del vendedor, del comprador y el número de serie del producto.

Para recibir los servicios aquí mencionados, es su obligación y correrá por su cuenta el envío, el transporte prepago o la entrega del Producto al revendedor autorizado a quien se compró dicho Producto o a otro lugar autorizado por NEC DISPLAY SOLUTIONS, ya sea en el embalaje original u otro similar que ofrezca un grado de protección equivalente. Todos los productos que se devuelvan a NEC DISPLAY SOLUTIONS para recibir mantenimiento DEBEN tener aprobación previa, la cual puede obtenerse llamando al 1-800-632-4662. El Producto no debe haberse sometido a alteraciones, reparaciones ni mantenimiento previos realizados por parte de personal no autorizado por NEC DISPLAY SOLUTIONS, tampoco se debe haber alterado ni quitado el número de serie del producto. Para que esta garantía sea válida, el Producto no se debe haber sometido a visualización de imágenes fijas durante largos períodos, lo que resulta en persistencia de la imagen (efectos de imagen superpuesta), ni tampoco a accidentes, uso inapropiado o abuso o funcionamiento contrario a las instrucciones del Manual de usuario. La presencia de cualquiera de dichas condiciones anulará esta garantía.

NEC DISPLAY SOLUTIONS NO SE HARÁ RESPONSABLE, SIN PERJUICIO DE LA RESPONSABILIDAD ANTES DECLARADA, POR OTROS DAÑOS DIRECTOS, INDIRECTOS, INCIDENTALS, DERIVADOS U OTRO TIPO QUE RESULTEN DEL USO DE CUALQUIER PRODUCTO DE NEC DISPLAY SOLUTIONS. ESTAS GARANTÍAS REEMPLAZAN CUALQUIER OTRA GARANTÍA, EXPRESA O IMPLÍCITA, INCLUIDAS, EN FORMA NO TAXATIVA, LAS GARANTÍAS IMPLÍCITAS DE COMERCIALIZACIÓN O ADAPTACIÓN PARA UN PROPÓSITO EN PARTICULAR. ALGUNOS ESTADOS NO PERMITEN LA EXCLUSIÓN DE GARANTÍAS IMPLÍCITAS O EL LÍMITE O EXCLUSIÓN DE RESPONSABILIDAD POR DAÑOS INCIDENTALES O DERIVADOS, POR LO QUE LAS EXCLUSIONES ANTERIORES PUEDEN NO SER APLICABLES A USTED.

Este Producto está garantizado según las condiciones de esta garantía limitada. Se advierte a los consumidores que el rendimiento del Producto se ve afectado por la configuración del sistema, el software, la aplicación, los datos del cliente y el control operativo del sistema, entre otros factores. Mientras que los Productos de NEC DISPLAY SOLUTIONS se consideran compatibles con muchos sistemas, la implementación funcional específica de los clientes puede variar. Por lo tanto, el consumidor debe determinar la conveniencia de un Producto para un propósito o aplicación específicos y la misma no está garantizada por NEC DISPLAY SOLUTIONS.

Para conocer el servicio de mantenimiento más cercano autorizado por NEC Display Solutions of America, Inc., contáctese con NEC Display Solutions of America, Inc. llamando al 1-800-632-4662.

TCO Development



¡Felicitaciones! El monitor que acaba de adquirir lleva está certificado por TCO'03 Displays. Esta certificación indica que su monitor está diseñado, fabricado y probado de acuerdo con algunos de los controles de calidad y medioambientales más estrictos del mundo. Esto contribuye a lograr un producto de alto rendimiento, diseñado para el usuario y que respeta el medio ambiente.

A continuación se muestran algunas de las características de TCO'03 Display:

Ergonomía

- Buena ergonomía visual y calidad de imagen para mejorar el entorno de trabajo del usuario y para reducir los problemas de vista y tensión. Los factores importantes son la luminosidad, el contraste, la resolución, el reflejo, la reproducción del color y la estabilidad de la imagen.

Energía

- Modo ahorro de energía luego de transcurrido un tiempo: es beneficioso tanto para el usuario como para el medio ambiente
- Seguridad eléctrica

Emisiones

- Campos electromagnéticos
- Emisiones acústicas

Ecología

- El producto debe estar preparado para poderse reciclar y el fabricante debe disponer de un sistema de gestión medioambiental certificado, como EMAS o ISO 1400.
- Restricciones en cuanto a
 - polímeros y retardadores de llama bromados y clorados.
 - metales pesados como cadmio, mercurio y plomo.

Los requisitos incluidos en esta certificación han sido desarrollados por TCO Development conjuntamente con científicos, expertos, usuarios y fabricantes de todo el mundo. Desde finales de los años 1980, TCO ha fomentado el desarrollo de equipos de TI más fáciles de utilizar. Nuestro sistema de certificación comenzó con los monitores en 1992 y ahora lo solicitan los usuarios y fabricantes de informática de todo el mundo.

Para obtener más información, visite
www.tcodevelopment.com

Información del fabricante sobre reciclado y energía

NEC DISPLAY SOLUTIONS está muy comprometido con la protección del medio ambiente y considera el reciclaje una de las máximas prioridades de la empresa para reducir los daños al medio ambiente. Nuestro objetivo es desarrollar productos respetuosos con el medio ambiente y poner nuestro máximo empeño en ayudar a definir y cumplir las últimas normativas de organismos independientes como ISO (Organización Internacional de Normalización) y TCO (Confederación Sueca de Trabajadores Profesionales).

Cómo reciclar su producto NEC

El objetivo del reciclado es mejorar el entorno mediante la reutilización, actualización, reacondicionamiento o recuperación de materiales. Los equipamientos dedicados al reciclaje garantizan que los componentes dañinos para el medio ambiente se manipulan y eliminan de la manera adecuada. Para asegurar que sus productos se reciclan de la forma más conveniente, NEC DISPLAY SOLUTIONS ofrece una amplia variedad de procedimientos de reciclaje y su consejo sobre la mejor forma de manipular sus productos para proteger el medio ambiente una vez que llegan al final de su vida útil.

Puede encontrar toda la información necesaria para desechar un producto y la información específica de cada país sobre los equipamientos de reciclaje disponibles en los siguientes sitios web:

EE.UU.: <http://www.necdisplay.com>

Europa: <http://www.nec-display-solutions.com/greencompany/>

Japón: <http://www.nec-display.com>

Ahorro de energía

Este monitor dispone de una función avanzada de ahorro de energía. Cuando se envía al monitor una señal del estándar VESA DPMS (señalización para administración de potencia de pantallas), se activa el modo de ahorro de energía. El monitor sólo dispone de un modo de ahorro de energía.

LCD73VX™

Modo	Consumo de energía	Color del LED
Operación Normal	Aprox. 28W	Verde
Modo Del Ahorro De la Energía	Menos que 2W	Amber
De Modo	Menos que 1W	Apagado

LCD93VX™

Modo	Consumo de energía	Color del LED
Operación Normal	Aprox. 33W	Verde
Modo Del Ahorro De la Energía	Menos que 2W	Amber
De Modo	Menos que 1W	Apagado

Información del fabricante sobre reciclado y energía –continuación

LCD73VXM™

Modo	Consumo de energía	Color del LED
Operación Normal	Aprox. 32W	Verde
Modo Del Ahorro De la Energía	Menos que 2W	Amber
De Modo	Menos que 1W	Apagado

LCD93VXM™

Modo	Consumo de energía	Color del LED
Operación Normal	Aprox. 39W	Verde
Modo Del Ahorro De la Energía	Menos que 2W	Amber
De Modo	Menos que 1W	Apagado

Declaración del fabricante

Por la presente certificamos que el monitor a color LCD73VX™ (L175GZ), LCD-93VX™ (L195GY) o LCD73VXM™ (L175GZ), LCD93VXM™ (L195GY)

– EN 60950-1

Directiva municipal 89/336/EEC

- EN 55022
- EN 61000-3-2
- EN 61000-3-3
- EN 55024

y presentan la marca



NEC Display Solutions, Ltd.
4-13-23, Shibaura,
Minato-Ku
Tokyo 108-0023, Japan

Cómo deshacerse de sus productos NEC antiguos

Dentro de la Unión Europea



La legislación de la UE, según se implemente en cada Estado Miembro, requiere que los productos eléctricos y electrónicos de desecho que poseen la marca (izquierda) se deben desechar por separado de los residuos normales de la vivienda. Esto incluye monitores y accesorios eléctricos, tales como cables de señal o cables de alimentación. Cuando necesite desechar sus productos de visualización NEC, siga las recomendaciones de su autoridad local, consulte en el comercio donde adquirió el producto o, si corresponde, cumpla con cualquier acuerdo realizado entre usted y NEC. La marca en los productos eléctricos y electrónicos solamente se aplica a los actuales Estados Miembros de la Unión Europea.

Fuera de la Unión Europea

Si desea desechar productos eléctricos y electrónicos fuera de la Unión Europea, comuníquese con su autoridad local para cumplir con el método de eliminación correcto.

Serie LCD de NEC

DECLARACIÓN DE DERECHOS DE PROPIEDAD Y DESCARGO DE RESPONSABILIDAD

La información divulgada en este documento, incluidos todos los diseños y materiales relacionados, es propiedad de valor de NEC Display Solutions of America, Inc. y/o sus licenciatarios, según corresponda, se reservan todos los derechos de patente, copyright y otros derechos de propiedad de este documento, incluidos todos los derechos de diseño, fabricación, reproducción, uso y ventas que del mismo se desprendan, excepto en los casos en que dichos derechos se otorguen expresamente a otros.

Los productos de NEC Display Solutions of America, Inc. mencionados en este documento están garantizados de acuerdo con las condiciones de la Declaración de Garantía Limitada que acompaña a cada producto. Sin embargo, el rendimiento real de cada uno de esos productos depende de factores tales como la configuración del sistema, los datos del cliente y el control operativo. Dado que la implementación de cada producto puede variar de cliente a cliente, por el consumidor debe determinar la conveniencia de las configuraciones y aplicaciones de un producto específico y no está garantizada por NEC Display Solutions of America, Inc.

Para permitir mejoras en el diseño y en las especificaciones, la información de este documento está sujeta a modificaciones en cualquier momento sin previo aviso. Se prohíbe la reproducción total o parcial de este documento sin previa autorización de NEC Display Solutions of America, Inc.

DECLARACIÓN DE CONFORMIDAD

Este dispositivo cumple con las normas de la FCC, Parte 1 5. Su funcionamiento está sujeto a las siguientes dos condiciones. (1) Es posible que este dispositivo no cause interferencia dañina, y (2) este dispositivo debe aceptar cualquier interferencia que reciba, incluida aquella interferencia que pueda provocar un funcionamiento no deseado.

Entidad responsable en los EE.UU.:	NEC Display Solutions of America, Inc.
Dirección:	500 Park Blvd, Suite 1100 Itasca, Illinois 60143
Nº de tel.:	(630) 467-3000

Tipo de producto:	Monitor
Clasificación del equipo:	Dispositivo periférico clase B
Modelos:	LCD73VX™ (L175GZ) / LCD93VX™ (L195GY) LCD73VXM™ (L175GZ) / LCD93VXM™ (L195GY)



*Por el presente declaramos que el equipo antes especificado
cumple con las normas técnicas especificadas por las disposiciones de la FCC.*

Windows es una marca registrada de Microsoft Corporation. NEC es una marca registrada de NEC Corporation. ENERGY STAR es una marca registrada de los EE. UU. Todas los otros nombres de marcas y productos son marcas o marcas registradas de sus respectivos propietarios.

Como socio de Energy Star®, NEC Display Solutions of America, Inc. ha determinado que este producto cumple con los lineamientos de Energy Star relacionados con el rendimiento energético. El emblema de ENERGY STAR no representa el aval de la EPA para ningún producto o servicio.

NEC

NEC LCD Series

PROPRIETARY NOTICE AND LIABILITY DISCLAIMER

The information disclosed in this document, including all designs and related materials, is the valuable property of NEC Display Solutions of America, Inc. and/or its licensors, as appropriate, reserve all patent, copyright and other proprietary rights to this document, including all design, manufacturing, reproduction, use and sales rights thereto, except to the extent said rights are expressly granted to others.

The NEC Display Solutions of America, Inc. product(s) discussed in this document are warranted in accordance with the terms of the Limited Warranty Statement accompanying each product. However, actual performance of each such product is dependent upon factors such as system configuration, customer data and operator control. Since implementation by customers of each product may vary, the suitability of specific product configurations and applications must be determined by the customer and is not warranted by NEC Display Solutions of America, Inc.

To allow for design and specification improvements, the information in this document is subject to change at any time without notice. Reproduction of this document or portions thereof without prior approval of NEC Display Solutions of America, Inc. is prohibited.

DECLARATION OF CONFORMITY

This device complies with Part 15 of FCC Rules. Operation is subject to the following two conditions. (1) This device may not cause harmful interference, and (2) this device must accept any interference received, including interference that may cause undesired operation.

U.S. Responsible Party:	NEC Display Solutions of America, Inc.
Address:	500 Park Blvd, Suite 1100 Itasca, Illinois 60143
Tel. No.:	(630) 467-3000
Type of Product:	Display Monitor
Equipment Classification:	Class B Peripheral
Model:	LCD73VX™ (L175GZ) / LCD93VX™ (L195GY) LCD73VXM™ (L175GZ) / LCD93VXM™ (L195GY)



*We hereby declare that the equipment specified above
conforms to the technical standards as specified in the FCC Rules.*

Windows is a registered trademark of Microsoft Corporation. NEC is a registered trademark of NEC Corporation. ENERGY STAR is a U.S. registered trademark. All other brands and product names are trademarks or registered trademarks of their respective owners.

As an ENERGY STAR® Partner, NEC Display Solutions of America, Inc. has determined that this product meets the ENERGY STAR guidelines for energy efficiency. The ENERGY STAR emblem does not represent EPA endorsement of any product or service.

NEC