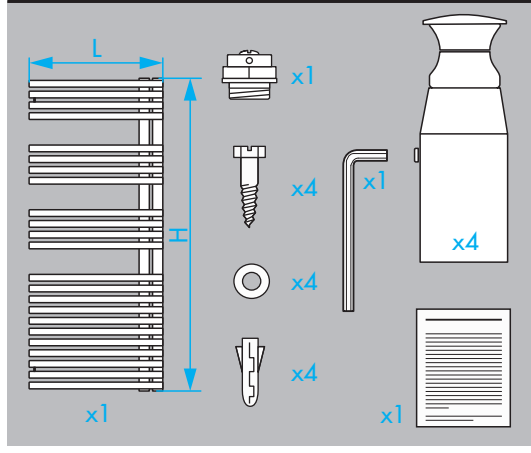
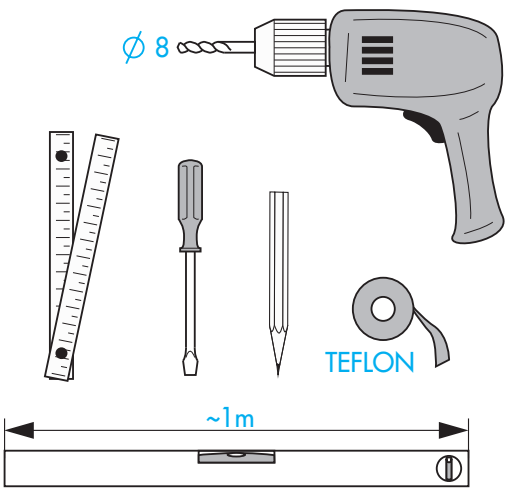
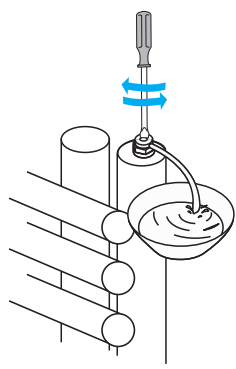
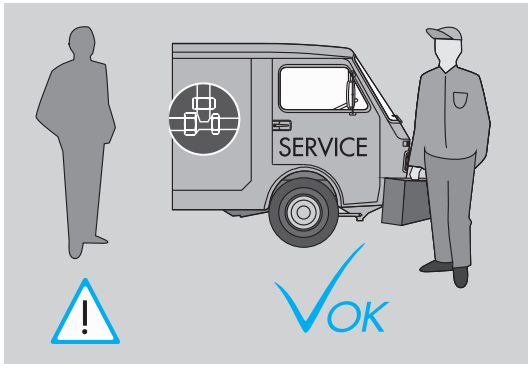
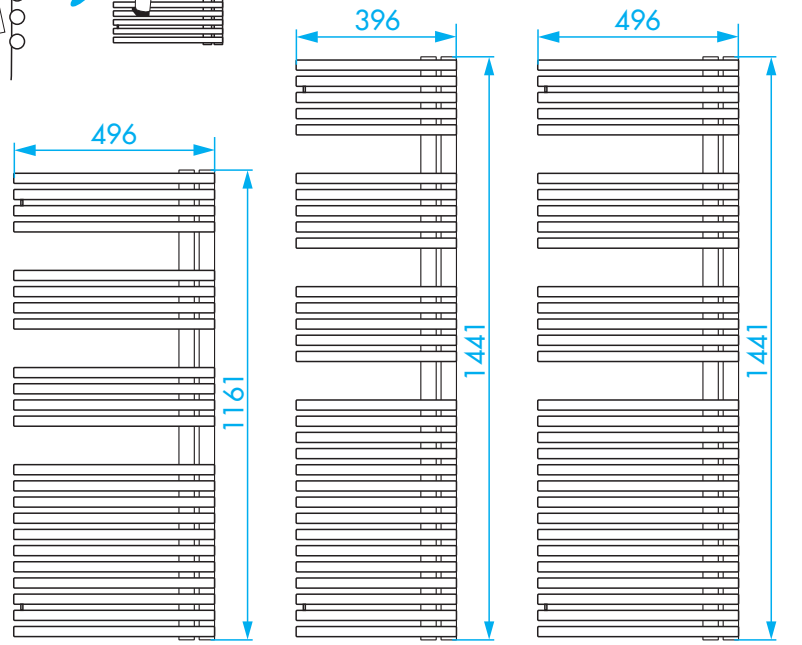
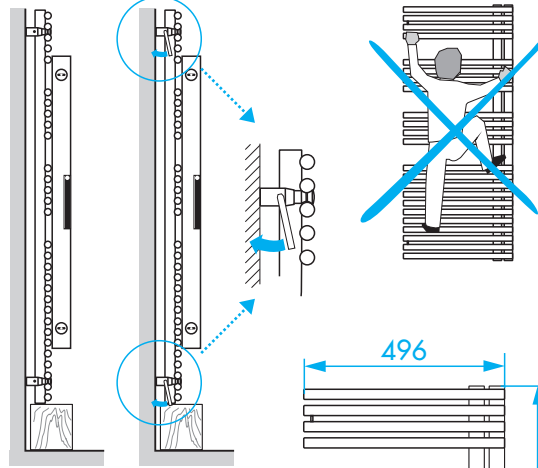
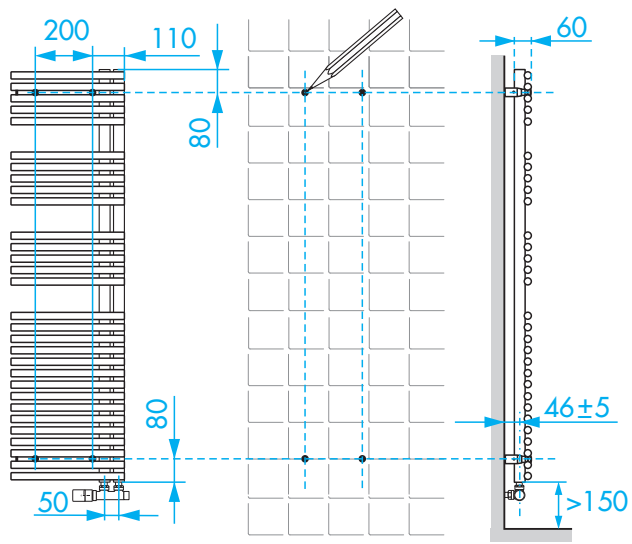
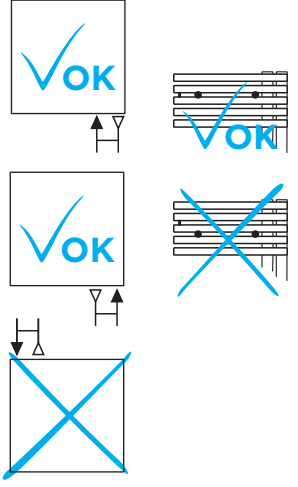
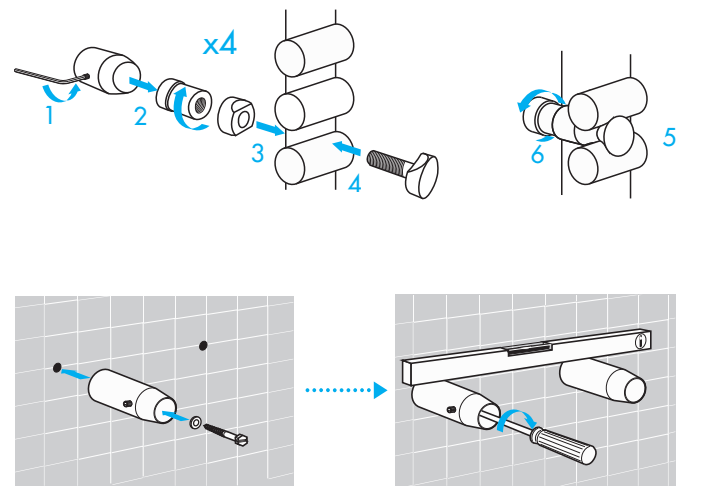
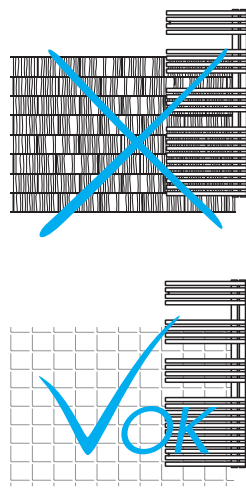


P25-M



© Copyright by PBO 06/14 1015002



P25-ME

