

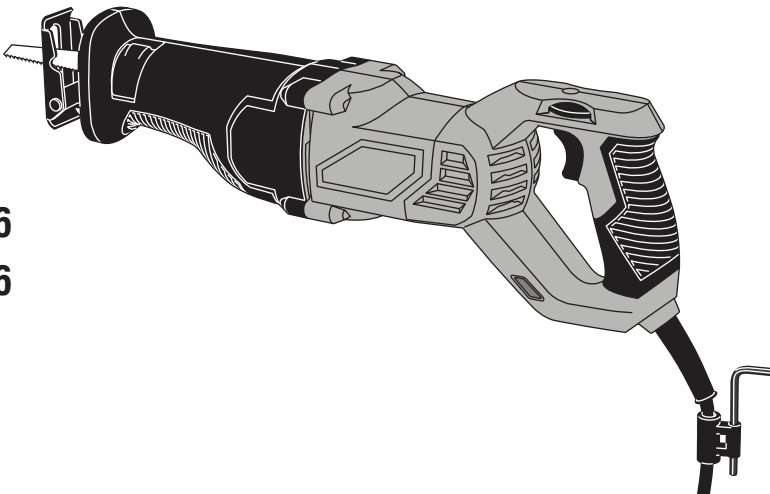
IMPORTANT:
Read Before Using

IMPORTANT :
Lire avant usage

IMPORTANTE:
Leer antes de usar



Operating/Safety Instructions
Consignes de fonctionnement/sécurité
Instrucciones de funcionamiento y seguridad



9206
9216

SKIL[®]

**Call Toll Free for
Consumer Information
& Service Locations**

**Pour obtenir des informations
et les adresses de nos centres
de service après-vente,
appelez ce numéro gratuit**

**Llame gratis para
obtener información
para el consumidor y
ubicaciones de servicio**

1-877-SKIL999 (1-877-754-5999) www.skil.com

**For English Version
See page 2**

**Version française
Voir page 13**

**Versión en español
Ver la página 24**



General Power Tool Safety Warnings

⚠ WARNING Read all safety warnings and all instructions. Failure to follow the warnings and instructions may result in electric shock, fire and/or serious injury.

SAVE ALL WARNINGS AND INSTRUCTIONS FOR FUTURE REFERENCE

The term “power tool” in the warnings refers to your mains-operated (corded) power tool or battery-operated (cordless) power tool.

Work area safety

Keep work area clean and well lit. Cluttered or dark areas invite accidents.

Do not operate power tools in explosive atmospheres, such as in the presence of flammable liquids, gases or dust. Power tools create sparks which may ignite the dust or fumes.

Keep children and bystanders away while operating a power tool. Distractions can cause you to lose control.

Electrical safety

Power tool plugs must match the outlet. Never modify the plug in any way. Do not use any adapter plugs with earthed (grounded) power tools. Unmodified plugs and matching outlets will reduce risk of electric shock.

Avoid body contact with earthed or grounded surfaces such as pipes, radiators, ranges and refrigerators. There is an increased risk of electric shock if your body is earthed or grounded.

Do not expose power tools to rain or wet conditions. Water entering a power tool will increase the risk of electric shock.

Do not abuse the cord. Never use the cord for carrying, pulling or unplugging the power tool. Keep cord away from heat, oil, sharp edges or moving parts. Damaged or entangled cords increase the risk of electric shock.

When operating a power tool outdoors, use an extension cord suitable for outdoor use. Use of a cord suitable for outdoor use reduces the risk of electric shock.

If operating the power tool in damp locations is unavoidable, use a Ground Fault Circuit Interrupter (GFCI) protected supply. Use of an GFCI reduce the risk of electric shock.

Personal safety

Stay alert, watch what you are doing and use common sense when operating a

power tool. Do not use a power tool while you are tired or under the influence of drugs, alcohol or medication. A moment of inattention while operating power tools may result in serious personal injury.

Use personal protective equipment. Always wear eye protection. Protective equipment such as dust mask, non-skid safety shoes, hard hat, or hearing protection used for appropriate conditions will reduce personal injuries.

Prevent unintentional starting. Ensure the switch is in the off-position before connecting to power source and / or battery pack, picking up or carrying the tool. Carrying power tools with your finger on the switch or energizing power tools that have the switch on invites accidents.

Remove any adjusting key or wrench before turning the power tool on. A wrench or a key left attached to a rotating part of the power tool may result in personal injury.

Do not overreach. Keep proper footing and balance at all times. This enables better control of the power tool in unexpected situations.

Dress properly. Do not wear loose clothing or jewelry. Keep your hair, clothing and gloves away from moving parts. Loose clothes, jewelry or long hair can be caught in moving parts.

If devices are provided for the connection of dust extraction and collection facilities, ensure these are connected and properly used. Use of dust collection can reduce dust-related hazards.

Power tool use and care

Do not force the power tool. Use the correct power tool for your application. The correct power tool will do the job better and safer at the rate for which it was designed.

Do not use the power tool if the switch does not turn it on and off. Any power tool that cannot be controlled with the switch is dangerous and must be repaired.





Disconnect the plug from the power source and/or the battery pack from the power tool before making any adjustments, changing accessories, or storing power tools. Such preventive safety measures reduce the risk of starting the power tool accidentally.

Store idle power tools out of the reach of children and do not allow persons unfamiliar with the power tool or these instructions to operate the power tool. Power tools are dangerous in the hands of untrained users.

Maintain power tools. Check for misalignment or binding of moving parts, breakage of parts and any other condition that may affect the power tool's operation. If damaged, have the power tool repaired before use. Many accidents are caused by poorly maintained power tools.

Keep cutting tools sharp and clean. Properly maintained cutting tools with sharp cutting edges are less likely to bind and are easier to control.

Use the power tool, accessories and tool bits etc. in accordance with these instructions, taking into account the working conditions and the work to be performed. Use of the power tool for operations different from those intended could result in a hazardous situation.

Service

Have your power tool serviced by a qualified repair person using only identical replacement parts. This will ensure that the safety of the power tool is maintained.

Safety Rules for Reciprocating Saws

Hold power tool by insulated gripping surfaces, when performing an operation where the cutting tool may contact hidden wiring or its own cord. Cutting tool contacting a "live" wire may make exposed metal parts of the power tool "live" and could give the operator an electric shock.

Use clamps or another practical way to secure and support the workpiece to a stable platform. Holding the work by hand or against your body leaves it unstable and may lead to loss of control.

Do not drill, fasten or break into existing walls or other blind areas where electrical wiring may exist. If this situation is unavoidable, disconnect all fuses or circuit breakers feeding this worksite.

Never leave the trigger locked "ON". Before plugging the tool in, check that the trigger lock is "OFF". Accidental start-ups could cause injury.

Keep hands away from cutting area. Do not reach under the material being cut. The proximity of the blade to your hand is hidden from your sight.

Keep hands from between the gear housing and saw blade holder. The

reciprocating blade holder can pinch your fingers.

Do not use dull or damaged blades. Bent blade can break easily or cause kickback.

Before starting to cut, turn tool "ON" and allow the blade to come to full speed. Tool can chatter or vibrate if blade speed is too slow at beginning of cut and possibly kickback.

Always wear safety goggles or eye protection when using this tool. Use a dust mask or respirator for applications which generate dust.

Secure material before cutting. Never hold it in your hand or across legs. Small or thin material may flex or vibrate with the blade, causing loss of control.

Make certain all adjusting screws and the blade holder are tight before making a cut. Loose adjusting screws and holders can cause the tool or blade to slip and loss of control may result.

When removing the blade from the tool avoid contact with skin and use proper protective gloves when grasping the blade or accessory. Accessories may be hot after prolonged use.





Additional Safety Warnings

GFCI and personal protection devices like electrician's rubber gloves and footwear will further enhance your personal safety.

Do not use AC only rated tools with a DC power supply. While the tool may appear to work, the electrical components of the AC rated tool are likely to fail and create a hazard to the operator.

Keep handles dry, clean and free from oil and grease. Slippery hands cannot safely control the power tool.

Develop a periodic maintenance schedule for your tool. When cleaning a tool be careful not to disassemble any portion of the tool since internal wires may be misplaced or pinched or safety guard return springs may be improperly mounted. Certain cleaning agents such as gasoline, carbon tetrachloride, ammonia, etc. may damage plastic parts.

Risk of injury to user. The power cord must only be serviced by a Skil Factory Service Center or Authorized Skil Service Station.

⚠ WARNING Some dust created by power sanding, sawing, grinding, drilling, and other construction activities contains chemicals known to cause cancer, birth defects or other reproductive harm. Some examples of these chemicals are:




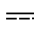
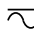

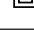





- Lead from lead-based paints,
- Crystalline silica from bricks and cement and other masonry products, and
- Arsenic and chromium from chemically-treated lumber.

Your risk from these exposures varies, depending on how often you do this type of work. To reduce your exposure to these chemicals: work in a well ventilated area, and work with approved safety equipment, such as those dust masks that are specially designed to filter out microscopic particles.



Symbols

IMPORTANT: Some of the following symbols may be used on your tool. Please study them and learn their meaning. Proper interpretation of these symbols will allow you to operate the tool better and safer.

Symbol	Name	Designation/Explanation
V	Volts	Voltage (potential)
A	Amperes	Current
Hz	Hertz	Frequency (cycles per second)
W	Watt	Power
kg	Kilograms	Weight
min	Minutes	Time
s	Seconds	Time
\varnothing	Diameter	Size of drill bits, grinding wheels, etc.
n_0	No load speed	Rotational speed, at no load
n	Rated speed	Manufacturers rated speed
.../min	Revolutions or reciprocation per minute	Revolutions, strokes, surface speed, orbits etc. per minute
0	Off position	Zero speed, zero torque...
1, 2, 3, ... I, II, III,	Selector settings	Speed, torque or position settings. Higher number means greater speed
	Infinitely variable selector with off	Speed is increasing from 0 setting
	Arrow	Action in the direction of arrow
	Alternating current	Type or a characteristic of current
	Direct current	Type or a characteristic of current
	Alternating or direct current	Type or a characteristic of current
	Class II construction	Designates Double Insulated Construction tools.
	Earthing terminal	Grounding terminal
	Warning symbol	Alerts user to warning messages
	Li-ion RBRC seal	Designates Li-ion battery recycling program
	Ni-Cad RBRC seal	Designates Ni-Cad battery recycling program
	Read manual symbol	Alerts user to read manual
	Wear eye protection symbol	Alerts user to wear eye protection



Symbols (continued)

IMPORTANT: Some of the following symbols may be used on your tool. Please study them and learn their meaning. Proper interpretation of these symbols will allow you to operate the tool better and safer.



This symbol designates that this tool is listed by Underwriters Laboratories.



This symbol designates that this tool is recognized by Underwriters Laboratories.



This symbol designates that this tool is listed by Underwriters Laboratories, to United States and Canadian Standards.



This symbol designates that this tool is listed by the Canadian Standards Association.



This symbol designates that this tool is listed by the Canadian Standards Association, to United States and Canadian Standards.



This symbol designates that this tool is listed by the Intertek Testing Services, to United States and Canadian Standards.



This symbol designates that this tool complies to NOM Mexican Standards.

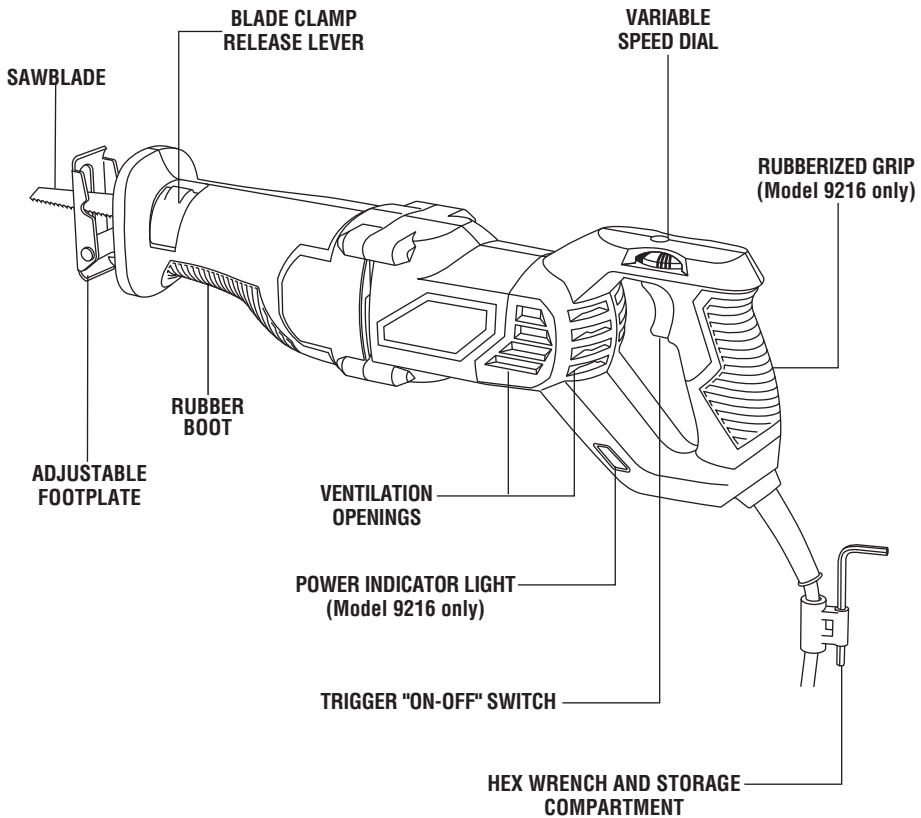


Functional Description and Specifications

⚠ WARNING Disconnect the plug from the power source before making any assembly, adjustments or changing accessories. Such preventive safety measures reduce the risk of starting the tool accidentally.

Reciprocating Saw

FIG. 1



NOTE: For tool specifications refer to the nameplate on your tool.

Assembly

Preparing the Saw

BLADE SELECTION

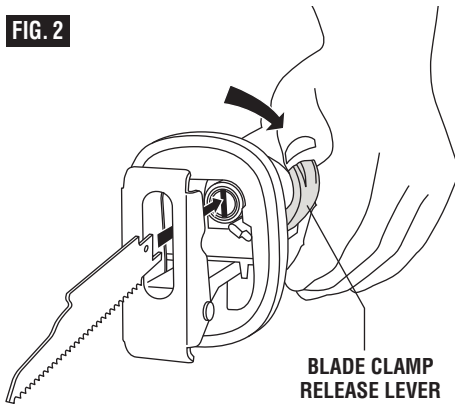
No one blade can be efficient on all cutting jobs. Different materials require specially designed blades. Since your reciprocating saw can cut so many materials, many types of SKIL blades are available. Be sure to use the proper blade to insure proper cutting performance.

INSTALLING A BLADE

⚠ WARNING Unplug tool from power source before changing blade or making any adjustments.

Pull the blade clamp release lever as far as it will go to open the tool-less clamp; insert the blade until it stops (Fig. 2).

FIG. 2

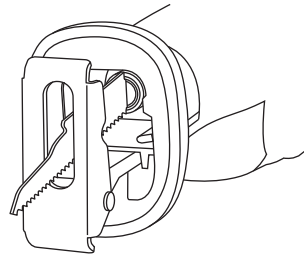


To lock the blade release the lever. The spring-loaded mechanism will lock the clamp against the blade (Fig. 3).

Push in and pull out on the blade to be sure the pin in the clamp housing goes through the hole in the blade to hold the blade securely. The blade may be inserted with the teeth facing down or up.

⚠ WARNING Make sure that the front end of the blade extends through the footplate for the entire stroke length. Do not use specialty blades that are very short or those with a significant cant. Blade must not contact footplate. A blade which is too short or canted could jam inside the foot and snap.

FIG. 3



Operating Instructions

POWER INDICATOR LIGHT (Model 9216 only)

When you plug your tool into the power source, the power indicator light will go "ON" indicating the tool is receiving power (Fig. 4).

TRIGGER "ON-OFF" SWITCH

TO TURN THE TOOL "ON" squeeze the trigger switch. TO TURN THE TOOL "OFF", release the trigger switch, which is spring loaded and will return to the "OFF" position automatically (Fig. 4).

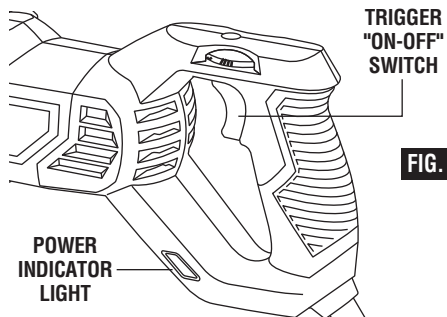


FIG. 4

VARIABLE SPEED DIAL

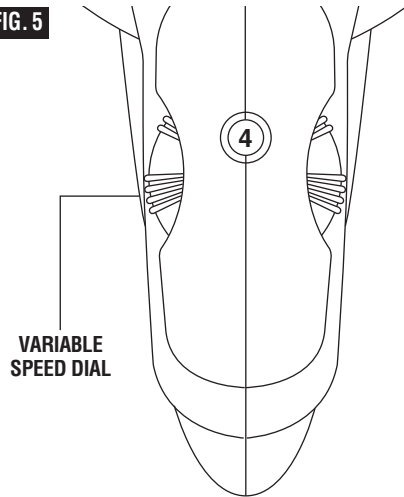
Your tool is equipped with a variable speed dial. The blade stroke rate may be adjusted during cutting operation by presetting the dial on or between any one of the six numbers (Fig. 5).

Setting SPM rating (strokes per minute)

1-2	Low stroke
3-4	Medium stroke
5-6	High stroke

Higher speed settings are generally used for fast cutting or when softer cutting materials such as wood, composite materials, and plastics. Slower speed settings are generally used when precision is required or when cutting harder materials. Materials typically cut using slower speeds include sheet metal, conduit, and pipe.

FIG. 5



FOOTPLATE ADJUSTMENT

The footplate tilts in order to keep as much of its surface in contact with the work surface (Fig. 6). To adjust, hold saw firmly and pivot footplate to desired position.

The footplate can also be locked at desired depths to optimize blade life and/or to limit blade protrusion beyond the end of the

footplate when cutting into large diameter pipe or into walls.

To adjust the footplate position depth, simply loosen the two screws in insulated rubber boot with wrench provided, slide and move the footplate to the desired position and securely tighten the screw with the wrench provided (Fig. 7).

FIG. 6

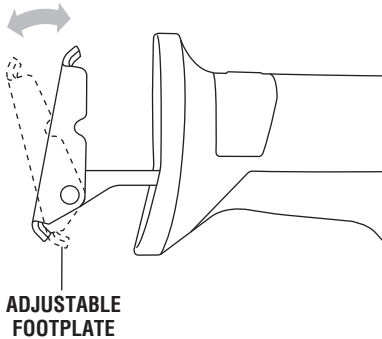
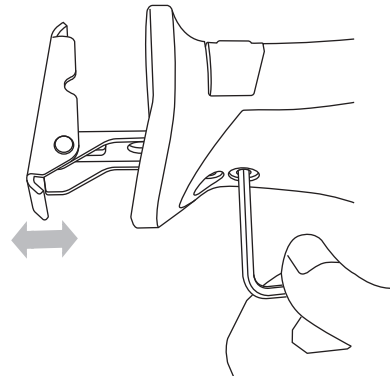


FIG. 7



Using the Saw

1. Securely clamp the work.
2. Mark the line of cut and grasp the tool with one hand on the handle and the other placed on the insulated rubber boot over the front housing.

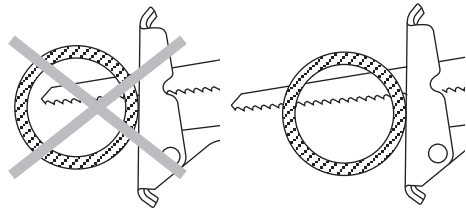
⚠ WARNING Always hold the saw by the insulated boot on the front housing. If you saw into a blind area where live wiring exists, you may be shocked or electrocuted.

3. Keep the saw footplate firmly against the work to minimize counter-force (jumping) and vibration.
4. Squeeze the trigger to start the tool. Let the saw reach full speed before starting the cut. Guide the saw so that the blade will move along the marked line.

SAWING TIPS

Following a few simple tips will reduce the wear on the workpiece, the tool and the operator.

1. Blades cut on the draw or back stroke. On fine work, such as paneling, fiberglass, etc., place the good side of workpiece facing down.
2. Use the correct saw blade for the material being cut and keep extra blades on hand to use when others become dull. Replace cracked or bent blades immediately.
3. Select the footplate projection settings, as well as the appropriate cutting speed.
4. To reduce the risk of injury, be sure the blade always extends beyond the footplate and work throughout the stroke. Blades may shatter if the front on the blade hits the work and/or the footplate.



WRONG

RIGHT

5. When cutting metal:

- Apply a lubricant for easier, smoother, faster cutting and longer blade life.
- For non-ferrous metals, aluminum, bronze or brass, use a stick wax on the blade.
- For ferrous metals, iron and steel, use machine or cutting oil along the surface to be cut.

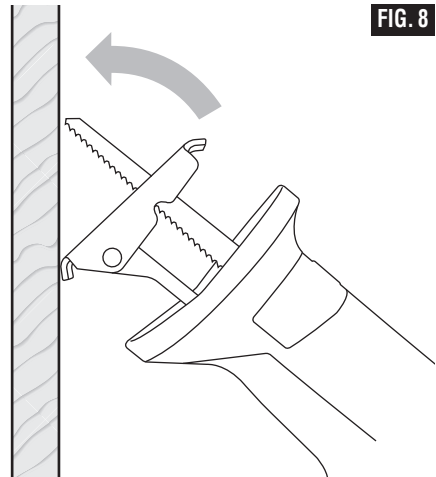
6. When cutting thin metal, "sandwich" the material between two pieces of scrap wood. Clamp or put in a bench vise. One piece of lumber on top of the metal can be used with adequate clamping. Place your cut lines or design on the wood.

7. Don't force the cutting. Let the saw and blade do the work.

POCKET/PLUNGE CUTS

The reciprocating saw can be used to make plunge cuts into softer material, (for example, wood or light building materials for walls), without a starting hole (Fig. 8).

1. Mark the line to be cut clearly on the work.
2. Set the tool with one edge of the footplate firmly against the material.
3. Place the tip of the blade (not running) on the line to be cut.
4. Tilt the saw so that the blade clears the work.
5. Squeeze the trigger switch and carefully engage the moving saw blade into the material.
6. After the blade penetrates through the work, continue sawing along the marked outline.



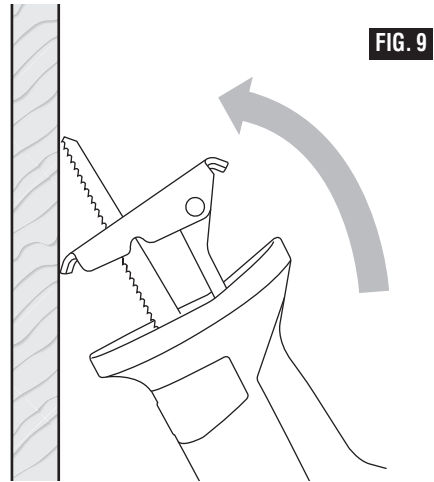
NOTES:

To make plunge cutting easier, use a heavy gauge blade, install the blade with the teeth facing upward, and hold the saw upside down as shown (Fig. 9).

Do not plunge cut in metal surfaces.

In thick materials and in harder materials, such as metal, plunge cutting should not be attempted. Such materials can be cut with the recip saw only by starting the cut from the edge of the material or from a hole drilled all the way through the material that is large enough to fit the saw blade.

WARNING The use of any accessories not specified in this manual may create a hazard.



Maintenance

Service

WARNING Preventive maintenance performed by unauthorized personnel may result in misplacing of internal wires and components which could cause serious hazard. We recommend that all tool service be performed by a Skil Factory Service Center or Authorized Skil Service Station.

TOOL LUBRICATION

Your Skil tool has been properly lubricated and is ready to use. It is recommended that tools with gears be regreased with a special gear lubricant at every brush change.

CARBON BRUSHES

The brushes and commutator in your tool have been engineered for many hours of dependable service. To maintain peak efficiency of the motor, we recommend every two to six months the brushes be examined. Only genuine Skil replacement brushes specially designed for your tool should be used.

Cleaning

WARNING To avoid accidents always disconnect the tool from the power supply before cleaning or performing any maintenance. The tool may be cleaned most effectively with compressed dry air. **Always wear safety goggles when cleaning tools with compressed air.**

Ventilation openings and switch levers must be kept clean and free of foreign matter. Do not attempt to clean by inserting pointed objects through openings.

CAUTION Certain cleaning agents and solvents damage plastic parts. Some of these are: gasoline, carbon tetrachloride, chlorinated cleaning solvents, ammonia and household detergents that contain ammonia.

Accessories

⚠ WARNING If an extension cord is necessary, a cord with adequate size conductors that is capable of carrying the current necessary for your tool must be used. This will prevent excessive voltage drop, loss of power or overheating. Grounded tools must use 3-wire extension cords that have 3-prong plugs and receptacles.

NOTE: The smaller the gauge number, the heavier the cord.

RECOMMENDED SIZES OF EXTENSION CORDS 120 VOLT ALTERNATING CURRENT TOOLS

Tool's Ampere Rating	Cord Size in A.W.G.				Wire Sizes in mm ²			
	Cord Length in Feet				Cord Length in Meters			
	25	50	100	150	15	30	60	120
3-6	18	16	16	14	0.75	0.75	1.5	2.5
6-8	18	16	14	12	0.75	1.0	2.5	4.0
8-10	18	16	14	12	0.75	1.0	2.5	4.0
10-12	16	16	14	12	1.0	2.5	4.0	—
12-16	14	12	—	—	—	—	—	—

** Carrying case

* Blade

(* = standard equipment)

(** = optional accessories)

Trouble Shooting

⚠ WARNING Read instruction manual first! Remove plug from the power source before making adjustments or assembling the blade.

PROBLEM	TROUBLE: SAW WILL NOT START 1. Power cord is not plugged in. 2. Power source fuse or circuit breaker tripped. 3. Cord damaged. 4. Burned out switch.
REMEDY	1. Plug saw in. 2. Replace fuse or reset tripped circuit breaker. 3. Inspect cord for damage. If damaged, have cord replaced by an Authorized Skill Service Center or Service Station. 4. Have switch replaced by an Authorized Skill Service Center or Service Station.
PROBLEM	TROUBLE: BLADE DOES NOT COME UP TO SPEED 1. Extension cord too light or too long. 2. Low house voltage.
REMEDY	1. Replace with adequate cord. 2. Contact your electric company.
PROBLEM	TROUBLE: EXCESSIVE VIBRATION 1. Blade is bent. 2. Blade not secure in blade holder.
REMEDY	1. Discard blade and use different blade. 2. See Assembly section, "Installing a blade" (page 8)
PROBLEM	TROUBLE: CUT BINDS, STALLS MOTOR OR KICKS BACK WHEN CUTTING 1. Dull blade with improper tooth set. 2. Tip of blade strikes workpiece or inside of pipe.
REMEDY	1. Discard blade and use a different blade. 2. Do not strike tip of blade while cutting and make sure that blade is long enough to cut through a pipe.



Avertissements généraux concernant la sécurité des outils électroportatifs

AVERTISSEMENT Veuillez lire tous les avertissements et toutes les consignes de sécurité. Si l'on n'observe pas ces avertissements et ces consignes de sécurité, il existe un risque de choc électrique, d'incendie et/ou de blessures corporelles graves.

CONSERVEZ TOUS LES AVERTISSEMENTS ET TOUTES LES CONSIGNES DE SÉCURITÉ POUR RÉFÉRENCE FUTURE.

Dans les avertissements, le terme « outil électroportatif » se rapporte à votre outil branché sur le secteur (avec fil) ou à votre outil alimenté par piles (sans fil).

Sécurité du lieu de travail

Maintenez le lieu de travail propre et bien éclairé. Les risques d'accident sont plus élevés quand on travaille dans un endroit encombré ou sombre.

N'utilisez pas d'outils électroportatifs dans des atmosphères explosives, comme par exemple en présence de gaz, de poussières ou de liquides inflammables. Les outils électroportatifs produisent des étincelles qui risquent d'enflammer les poussières ou les vapeurs.

Éloignez les enfants et les visiteurs quand vous vous servez d'un outil électroportatif. Vous risquez une perte de contrôle si on vous distrait.

Sécurité électrique

Les fiches des outils électroportatifs doivent correspondre à la prise. Il ne faut absolument jamais modifier la fiche. N'utilisez pas d'adaptateur de prise avec des outils électroportatifs munis d'une fiche de terre. Le risque de choc électrique est moindre si on utilise une fiche non modifiée sur une prise qui lui correspond.

Évitez tout contact du corps avec des surfaces reliées à la terre tels que tuyaux, radiateurs, gazinières ou réfrigérateurs. Le risque de choc électrique augmente si votre corps est relié à la terre.

N'exposez pas les outils électroportatifs à la pluie ou à l'humidité. Si de l'eau pénètre dans un outil électroportatif, le risque de choc électrique augmente.

Ne maltraitez pas le cordon. Ne vous en servez jamais pour transporter l'outil électroportatif, pour le tirer ou pour le débrancher. Éloignez le cordon de la chaleur, des huiles, des arêtes coupantes ou des pièces mobiles. Les cordons abîmés ou emmêlés augmentent les risques de choc électrique.

Si vous utilisez un outil électroportatif à l'extérieur, employez une rallonge conçue pour l'extérieur. Ces rallonges sont faites pour l'extérieur et réduisent le risque de choc électrique.

S'il est absolument nécessaire d'utiliser l'outil électroportatif dans un endroit humide, utilisez une alimentation protégée par un disjoncteur de fuite de terre (GFCI). L'utilisation d'un disjoncteur GFCI réduit les risques de choc électrique.

Sécurité personnelle

Restez concentré, faites attention à ce que vous faites, et servez-vous de votre bon sens lorsque vous utilisez un outil électroportatif. N'employez pas d'outils électroportatifs quand vous êtes fatigué ou sous l'emprise de drogues, d'alcool ou de médicaments. Quand on utilise des outils électroportatifs, il suffit d'un moment d'inattention pour causer des blessures corporelles graves.

Utilisez des équipements de sécurité personnelle. Portez toujours une protection oculaire. Le port d'équipements de sécurité tels que des masques antipoussières, des chaussures de sécurité antidérapantes, des casques de chantier et des protecteurs d'oreilles dans des conditions appropriées réduira le risque de blessure corporelle.

Évitez les démarrages intempestifs. Assurez-vous que l'interrupteur est dans la position arrêt (Off) avant de brancher l'outil dans une prise de courant et/ou un bloc-piles, de le ramasser ou de le transporter. Le transport d'un outil électroportatif avec le doigt sur la gâchette ou le branchement de cet outil quand l'interrupteur est en position de marche (ON) est une invite aux accidents.

Enlevez toutes les clés de réglage avant de mettre l'outil électroportatif en marche. Si on laisse une clé sur une pièce tournante de l'outil électroportatif, il y a risque de blessure corporelle.

Ne vous penchez pas. Conservez toujours une bonne assise et un bon équilibre. Ceci vous permettra de mieux maîtriser l'outil électroportatif dans des situations inattendues.

Habillez-vous de manière appropriée. Ne portez pas de vêtements amples ou de bijoux. Attachez les cheveux longs. N'approchez pas les cheveux, les vêtements ou les gants des pièces en mouvement. Les vêtements amples, les bijoux ou les cheveux longs risquent d'être happés par les pièces en mouvement.

Si l'outil est muni de dispositifs permettant le raccordement d'un système d'aspiration et de collecte des poussières, assurez-vous que ces dispositifs sont raccordés et utilisés correctement. L'utilisation d'un dépoussiéreur peut réduire les dangers associés à l'accumulation de poussière.





Utilisation et entretien des outils électroportatifs

Ne forcez pas sur l'outil électroportatif. Utilisez l'outil électroportatif qui convient à la tâche à effectuer. L'outil qui convient à la tâche fait un meilleur travail et est plus sûr à la vitesse pour lequel il a été conçu.

Ne vous servez pas de l'outil électroportatif si son interrupteur ne parvient pas à le mettre en marche ou à l'arrêter. Tout outil électroportatif qui ne peut pas être commandé par son interrupteur est dangereux et doit être réparé.

Débranchez la fiche de la prise ou enlevez le bloc-pile de l'outil électroportatif avant tout réglage, changement d'accessoires ou avant de ranger l'outil électroportatif. De telles mesures de sécurité préventive réduisent le risque de démarrage intempestif de l'outil électroportatif.

Rangez les outils électroportatifs dont vous ne vous servez pas hors de portée des enfants et ne permettez pas à des personnes qui ne connaissent pas l'outil électroportatif ou qui ignorent ces consignes de s'en servir. Les outils électroportatifs sont dangereux dans les mains d'utilisateurs inexpérimentés.

Entretenez les outils électroportatifs. Vérifiez que les pièces mobiles sont alignées correctement et ne coincent pas. Vérifiez qu'il n'y a pas de pièces cassées ou d'autre circonstance qui risquent d'affecter le fonctionnement de l'outil électroportatif. Si l'outil est abîmé, faites-le réparer avant de l'utiliser. De nombreux accidents sont causés par des outils électroportatifs mal entretenus.

Maintenez les outils coupants affûtés et propres. Les outils coupants entretenus correctement et dotés de bords tranchants affûtés sont moins susceptibles de coincer et sont plus faciles à maîtriser.

Utilisez l'outil électroportatif, les accessoires et les embouts d'outil, etc. conformément à ces instructions, en tenant compte des conditions de travail et des travaux à réaliser. L'emploi d'outils électroportatifs pour des tâches différentes de celles pour lesquelles ils ont été prévus peut résulter en une situation dangereuse.

Entretien

Faites réparer votre outil électroportatif par un agent de service qualifié n'utilisant que des pièces de rechange identiques. Ceci assure que la sécurité de l'outil électroportatif est préservée.

Règles de sécurité concernant les scies va-et-vient

Tenez l'outil électroportatif par ses surfaces de préhension isolées lorsque vous effectuez une opération à l'occasion de laquelle l'outil de coupe risque d'entrer en contact avec un fil caché ou avec son propre cordon d'alimentation. Tout contact de l'outil de coupe avec un fil sous tension risque de mettre aussi sous tension les parties métalliques exposées de l'outil électroportatif, ce qui pourrait causer un choc électrique pour l'opérateur.

Utilisez des brides ou d'autres moyens pratiques de brider ou de supporter la pièce sur une plate-forme stable. Tenir la pièce à la main ou contre le corps est instable et risque de résulter en une perte de contrôle.

Ne percez, fixez et ne rentrez pas dans des murs existants ou autres endroits aveugles pouvant abriter des fils électriques. Si cette situation est inévitable, débranchez tous les fusibles ou les disjoncteurs alimentant ce site.

Ne tenez jamais la gâchette bloquée en position de marche. Avant de brancher l'outil, assurez-vous que le blocage de la gâchette est inhibé. Les mises en marche accidentelles peuvent causer des blessures.

Gardez les mains à l'écart de la zone de coupe. Ne placez surtout pas la main sous le matériau que vous coupez. Il est impossible de déterminer exactement la proximité de la lame de votre main.

Évitez de vous placer les mains entre le carter d'engrenages et le porte-lame de la scie. Le porte-lame à mouvement alternatif risquerait de vous pincer les doigts.

N'utilisez pas de lames émoussées ou endommagées. Les lames pliées peuvent aisément se fracturer ou causer un rebond.

Avant de commencer à couper, mettez l'outil en marche et attendez que la lame atteigne sa vitesse maximale. L'outil peut trembler ou vibrer si la vitesse de la lame est trop lente au début de la coupe, et il peut éventuellement rebondir.

Portez toujours des lunettes à coques latérales ou des lunettes de protection en utilisant cet outil. Utilisez un respirateur ou un masque anti-poussières pour les applications produisant de la poussière.

Il importe de bien assujettir la pièce sur laquelle vous travaillez. Ne la tenez jamais dans votre main ou sur vos jambes. Les pièces minces et plus petites peuvent fléchir ou vibrer avec la lame, risquant ainsi de vous faire perdre le contrôle.

Avant de commencer à scier, assurez-vous que toutes les vis de réglage et que le porte-lame sont serrés. Les vis de réglage et porte-lame lâches peuvent faire glisser l'outil ou la lame et ainsi vous faire perdre le contrôle.

En retirant la lame de l'outil, évitez le contact avec la peau et utilisez des gants protecteurs appropriés en saisissant la lame ou l'accessoire. Les accessoires peuvent être chauds après un usage prolongé.





Avertissements supplémentaires concernant la sécurité

L'emploi d'un GFCI et de dispositifs de protection personnelle tels que gants et chaussures d'électricien en caoutchouc améliorent votre sécurité personnelle.

N'utilisez pas un outil conçu uniquement pour le C.A. sur une alimentation en C.C. Même si l'outil semble fonctionner, les composants électriques d'un outil prévu pour le C.A. tomberont probablement en panne et risquent de créer un danger pour l'utilisateur.

Maintenez les poignées sèches et exemptes d'huile et de graisse. On ne peut maîtriser un outil électroportatif en toute sécurité quand on a les mains glissantes.

Créez un agenda d'entretien périodique pour votre outil. Quand vous nettoyez un outil, faites attention de n'en démonter aucune pièce car il est toujours possible de mal remonter ou de pincer les fils internes ou de remonter incorrectement les ressorts de rappel des capots de protection. Certains agents de nettoyage tels que l'essence, le tétrachlorure de carbone, l'ammoniaque, etc. risquent d'abîmer les plastiques.

Risque de blessure pour l'utilisateur. Le cordon d'alimentation électrique ne doit être réparé que par un Centre de service usine de Skil ou par une Station service agréée de Skil.

AVERTISSEMENT

Les travaux à la machine tel que ponçage, sciage, meulage, perçage et autres travaux du bâtiment peuvent créer des poussières contenant des produits chimiques qui sont des causes reconnues de cancer, de malformation congénitale ou d'autres problèmes reproductifs. Ces produits chimiques sont, par exemple :





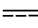







- Le plomb provenant des peintures à base de plomb,
- Les cristaux de silices provenant des briques et du ciment et d'autres produits de maçonnerie, et
- L'arsenic et le chrome provenant des bois traités chimiquement.

Le niveau de risque dû à cette exposition varie avec la fréquence de ces types de travaux. Pour réduire l'exposition à ces produits chimiques, il faut travailler dans un lieu bien ventilé et porter un équipement de sécurité approprié tel que certains masques à poussière conçus spécialement pour filtrer les particules microscopiques.



Symboles

IMPORTANT : Certains des symboles suivants peuvent être utilisés sur votre outil. Veuillez les étudier et apprendre leur signification. Une interprétation appropriée de ces symboles vous permettra d'utiliser l'outil de façon plus efficace et plus sûre.

Symbole	Nom	Désignation/Explication
V	Volts	Tension (potentielle)
A	Ampères	Courant
Hz	Hertz	Fréquence (cycles par seconde)
W	Watt	Puissance
kg	Kilogrammes	Poids
min	Minutes	Temps
s	Secondes	Temps
	Diamètre	Taille des mèches de perceuse, meules, etc.
n_0	Vitesse à vide	Vitesse de rotation, à vide
n	Vitesse nominale	Vitesse nominale stipulée par le fabricant
.../min	Tours ou mouvement alternatif par minute	Tours, coups, vitesse en surface, orbites, etc., par minute
0	Position d'arrêt	Vitesse zéro, couple zéro ...
1, 2, 3, ... I, II, III, ...	Réglages du sélecteur	Réglages de vitesse, de couple ou de position. Un nombre plus élevé signifie une vitesse plus grande
	Sélecteur variable à l'infini avec arrêt	La vitesse augmente depuis le réglage 0
	Flèche	Action dans la direction de la flèche
	Courant alternatif	Type ou caractéristique du courant
	Courant continu	Type ou caractéristique du courant
	Courant alternatif ou continu	Type ou caractéristique du courant
	Construction classe II	Désigne des outils construits avec double isolation
	Borne de terre	Borne de mise à la terre
	Symbole d'avertissement	Alerte l'utilisateur aux messages d'avertissement.
	Sceau Li-ion RBRC	Désigne le programme de recyclage des piles Li-ion.
	Sceau Ni-Cad RBRC	Désigne le programme de recyclage des piles Ni-Cad.
	Symbole de lecture du mode d'emploi d'emploi	Alerte l'utilisateur pour lire le mode
	Symbole de port de lunettes de sécurité de sécurité	Alerte l'utilisateur pour porter des lunettes

Symboles (suite)

IMPORTANT : Certains des symboles suivants peuvent être utilisés sur votre outil. Veuillez les étudier et apprendre leur signification. Une interprétation appropriée de ces symboles vous permettra d'utiliser l'outil de façon plus efficace et plus sûre.



Ce symbole signifie que cet outil est approuvé par Underwriters Laboratories.



Ce symbole indique que cet outil est reconnu par Underwriters Laboratories.



Ce symbole signifie que cet outil est approuvé par Underwriters Laboratories selon les normes des États-Unis et du Canada.



Ce symbole signifie que cet outil est approuvé par l'Association canadienne de normalisation.



Ce symbole signifie que cet outil est approuvé par l'Association canadienne de normalisation selon les normes des États-Unis et du Canada.



Ce symbole signifie que cet outil est approuvé par Intertek Testing Services selon les normes des États-Unis et du Canada.



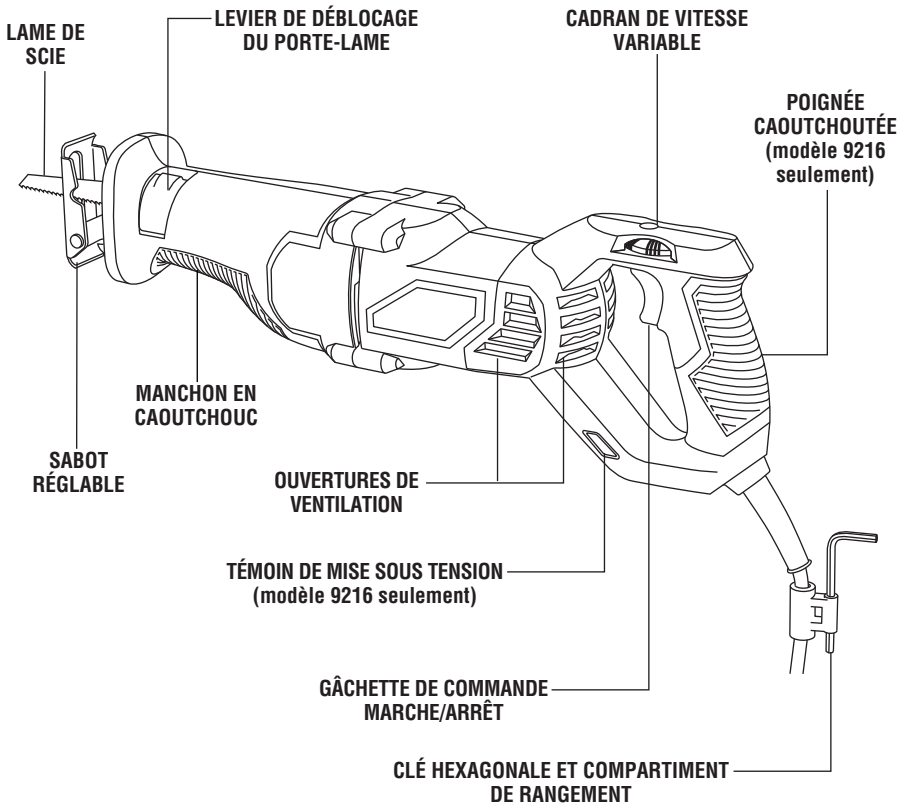
Ce symbole signifie que cet outil se conforme aux normes mexicaines NOM.

Description fonctionnelle et spécifications

AVERTISSEMENT Débranchez la fiche de la prise de courant avant d'effectuer quelque assemblage ou réglage que ce soit ou de changer les accessoires. Ces mesures de sécurité préventive réduisent le risque d'une mise en marche accidentelle de l'outil.

Scies va-et-vient

FIG. 1



REMARQUE : Pour spécifications de l'outil, reportez-vous à la plaque signalétique de votre outil.

Assemblage

Aprêt de la scie

CHOIX DE LAME

Aucune lame ne peut suffire adéquatement à toutes les tâches. Certains matériaux requièrent des lames spéciales. Étant donné que votre scie va-et-vient peut tailler tant de matériaux, SKIL met plusieurs types de lames à votre disposition. Pour de meilleurs résultats, prenez soin de choisir la lame qui convient.

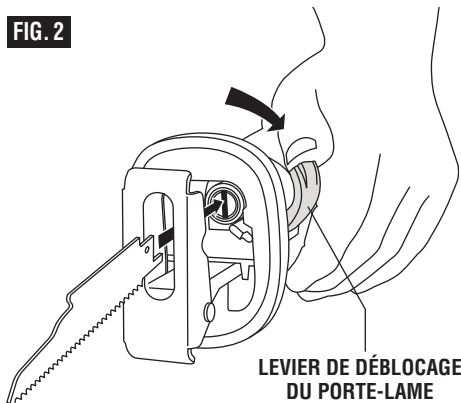
MONTAGE D'UNE LAME

AVERTISSEMENT

Débranchez l'outil de la prise de courant avant de changer la lame ou d'effectuer quelque réglage que ce soit.

Tirez sur le levier de déblocage du porte-lame aussi loin que possible pour ouvrir le porte-lame auto-serrant ; insérez la lame jusqu'à ce qu'elle bute (Fig. 2).

FIG. 2



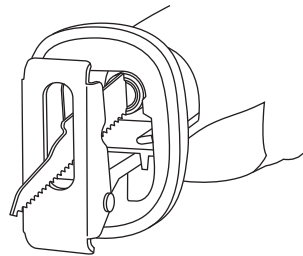
Pour bloquer la lame, relâchez le levier. Le mécanisme à ressort bloquera le porte-lame contre la lame (Fig. 3).

Tirez et poussez sur la lame pour vous assurer que la goupille du boîtier de porte-lame pénètre dans le trou de la lame afin de maintenir celle-ci fermement en place. La lame peut être montée avec les dents tournées soit vers le bas, soit vers le haut.

AVERTISSEMENT

Assurez-vous que l'extrémité avant de la lame dépasse du sabot sur toute la course de la lame. N'utilisez pas de lames spéciales très courtes ou de lames qui sont tordues de manière significative. La lame ne doit pas toucher le sabot. Les lames trop courtes ou tordues risquent de se coincer à l'intérieur du sabot et de casser.

FIG. 3



Consignes de fonctionnement

TÉMOIN DE MISE SOUS TENSION (modèle 9216 seulement)

Quand vous branchez l'outil sur une alimentation électrique, le témoin de mise sous tension s'allume pour indiquer que l'outil est sous tension (Fig. 4).

GÂCHETTE DE COMMANDE MARCHE/ARRÊT

Pour mettre l'outil en marche, appuyez sur la gâchette. Pour mettre l'outil à l'arrêt, relâchez la gâchette qui est à ressort et reviendra automatiquement à la position d'arrêt (Fig. 4).

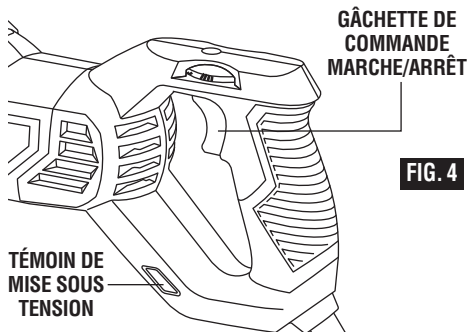


FIG. 4



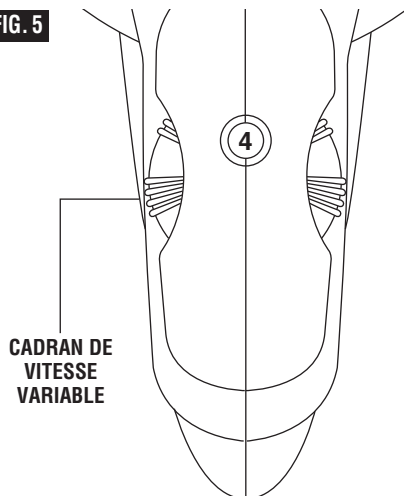
CADRAN DE VITESSE VARIABLE

Votre outil est pourvue d'un cadran de vitesse variable. On peut régler la course de la lame durant le sciage en prédéfinissant le cadran sur ou entre n'importe lequel des six chiffres (Fig. 5).

Réglage	Valeur de courses par minute
1-2	Course faible
3-4	Course moyenne
5-6	Course élevée

Les vitesses plus élevées sont généralement utilisées pour scier rapidement ou pour scier des matériaux mous tels que le bois, les composites et les plastiques. Les vitesses plus lentes sont généralement utilisées pour faire des coupes précises ou lorsqu'on scie des matériaux durs comme par exemple la tôle, les conduits électriques et les tuyaux.

FIG. 5



RÉGLAGE DU SABOT

Le sabot s'incline pour que la majorité de sa surface puisse rester en contact avec la pièce (Fig. 6). Pour régler, tenez la scie fermement et faites pivoter le sabot pour le mettre à la position désirée.

Le sabot peut également être bloqué à la profondeur désirée pour optimiser la durée de vie de la lame ou pour limiter la saillie de la lame par rapport au sabot quand on

scie des pièces de grand diamètre ou quand on découpe dans un mur.

Pour régler la profondeur du sabot, il suffit de desserrer les deux vis du manchon isolé en caoutchouc à l'aide de la clé fournie, de faire coulisser le sabot pour le mettre à la position désirée et de resserrer les vis fermement avec la clé fournie (Fig. 7).

FIG. 6

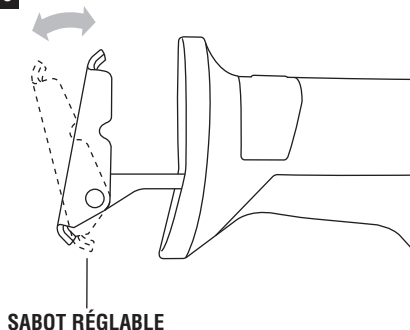
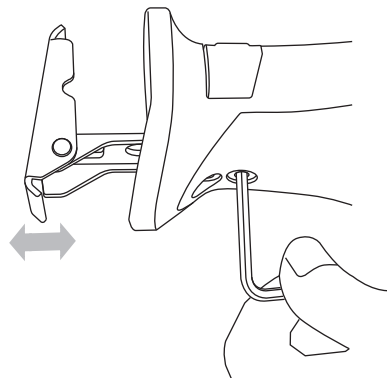


FIG. 7



Utilisation de la scie

1. Brider fermement la pièce.
2. Faire un trait de scie et saisir l'outil en mettant une main sur la poignée et l'autre sur le manchon en caoutchouc recouvrant le boîtier avant.

⚠ AVERTISSEMENT Tenez toujours la scie par le manchon isolé situé sur le devant du boîtier. Si vous sciez en aveugle dans un endroit contenant des fils sous tension, vous risquez un choc électrique ou une électrocution.

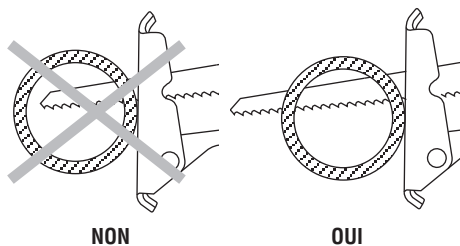


- Appuyez fermement le sabot contre la pièce pour minimiser la force de réaction (soubresauts) et les vibrations.
- Appuyez sur la gâchette pour démarrer l'outil. Laissez la scie atteindre son plein régime avant de commencer à scier. Guidez la scie pour que la lame suive le trait de scie.

CONSEILS POUR LE SCIAGE

Suivez ces quelques conseils simples pour réduire l'usure de la pièce et de l'outil et la fatigue de l'utilisateur.

- Les lames scient en tirant lors de la course de retour. Pour les travaux fins tels que les panneaux ou la fibre de verre, mettez le côté vu du panneau en dessous (et sciez sur l'envers).
- Utilisez une lame qui convient au matériau à scier et ayez des lames de rechange à portée de main pour remplacer les lames émoussées. Remplacez immédiatement les lames fissurées ou tordues.
- Choisissez un réglage approprié pour la saillie de sabot ainsi que pour la vitesse de coupe.
- Pour réduire le risque de blessures, assurez-vous que la lame dépasse toujours du sabot et de la pièce sur toute sa course. Si l'avant de la lame heurte le sabot ou la pièce, la lame risque de se fracasser.
- Lorsqu'on scie du métal :

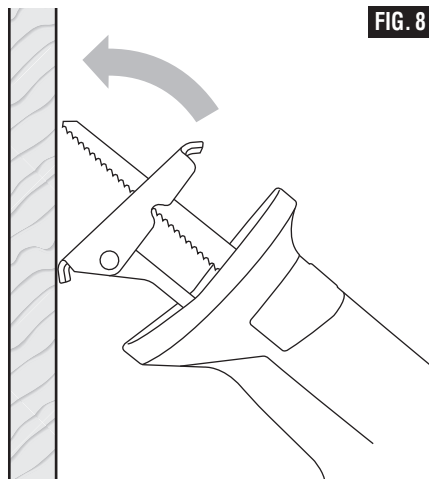


- Lubrifiez pour scier plus facilement, plus régulièrement et plus rapidement et pour allonger la durée de vie de la lame.
 - Pour les métaux non ferreux, l'aluminium, le bronze ou le laiton mettez de la cire en bâton sur la lame.
 - Pour les métaux ferreux, le fer et l'acier mettez de l'huile à machine ou de l'huile de coupe sur la surface à scier.
- Pour scier des métaux fins, mettez la pièce en sandwich entre deux chutes de bois. Bridez l'ensemble ou mettez-le dans un étau. Si le bridage est suffisant, une seule chute de bois sur le dessus suffit. Faites votre tracé sur la chute de bois.
 - Ne forcez pas sur la scie. Laissez la lame et la scie faire le travail.

SCIAGES D'ÉVIDEMENTS/EN PLONGÉE

La scie égoïne peut être utilisée pour faire des coupes en plongeant dans les matériaux mous (comme par exemple le bois ou les matériaux de construction légers pour murs) sans faire d'avant-trou (Fig. 8).

- Tracez la ligne de coupe sur la pièce.
- Maintenez le bord de la semelle fermement appuyé sur le matériau.
- Placez la pointe de la lame (au repos) sur la ligne de coupe.
- Inclinez la scie de sorte que la lame ne touche pas au matériau.
- Appuyez sur la gâchette, puis pivotez soigneusement la lame sur le matériau.
- Quand la lame pénètre dans le matériau, continuez à scier le long du tracé.



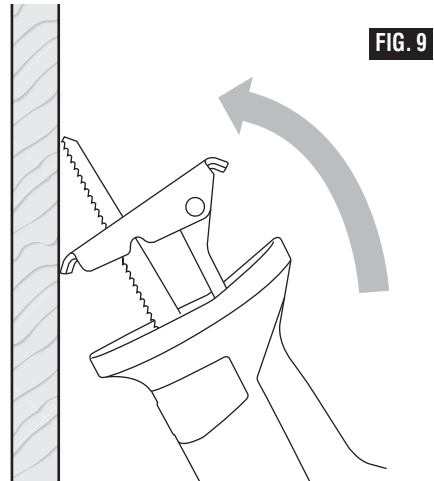
REMARQUES :

Pour faciliter le sciage en plongée, utilisez une lame épaisse, montez-la avec les dents vers le haut et tenez la scie à l'envers comme illustré (Fig. 9).

Ne sciez pas en plongeant dans le métal.

Dans les matériaux épais et dans les matériaux durs comme le métal, il ne faut pas scier en plongeant. Pour scier ces matériaux à l'égoïne, il est impératif de partir du bord de la pièce ou d'un avant-trou débouchant d'un diamètre suffisant pour accommoder la lame.

AVERTISSEMENT L'utilisation d'accessoires non mentionnés dans ce mode d'emploi risque de présenter un danger.

**FIG. 9**

Entretien

Service

AVERTISSEMENT Tout entretien préventif effectué par des personnels non autorisés peut résulter en mauvais placement de fils internes ou de pièces, ce qui peut présenter un danger grave. Nous vous conseillons de faire faire tout l'entretien par un centre de service d'usine Skil ou une station service agréée Skil.

LUBRIFICATION DE L'OUTIL

Votre outil Skil a été lubrifié correctement en usine et il est prêt à l'utilisation. Nous vous conseillons de re-graisser les outils qui comportent des engrenages avec un lubrifiant à engrenages spécial à chaque fois que vous changez les balais.

BALAIS OU CHARBONS

Les balais (ou charbons) et le collecteur de votre outil ont été conçus pour apporter de nombreuses heures de fonctionnement fiable. Pour maintenir le rendement du moteur à son maximum, nous vous conseillons de contrôler les balais tous les deux à six mois. Il ne faut utiliser que des balais de rechange Skil d'origine et conçus pour votre outil.

Nettoyage

AVERTISSEMENT Pour éviter les accidents, il faut toujours débrancher l'outil avant de le nettoyer ou de l'entretenir. Le meilleur moyen de nettoyer l'outil est d'utiliser de l'air comprimé sec. Il faut toujours porter des lunettes de protection quand on utilise de l'air comprimé.

Les ouïes de ventilation et les leviers de l'interrupteur doivent rester propres et exempts de corps étrangers. Ne tentez pas de les nettoyer en enfonçant des objets pointus dans les orifices.

MISE EN GARDE Certains agents de nettoyages et certains dissolvants abîment les pièces en plastique. Parmi ceux-ci se trouvent: l'essence, le tétrachlorure de carbone, les dissolvants de nettoyage chlorés, l'ammoniaque ainsi que les détergents domestiques qui en contiennent.

Accessoires

AVERTISSEMENT Si un cordon de rallonge s'avère nécessaire, vous devez utiliser un cordon avec conducteurs de dimension adéquate pouvant porter le courant nécessaire à votre outil. Ceci préviendra une chute excessive de tension, une perte de courant ou une surchauffe. Les outils mis à la terre doivent utiliser des cordons de rallonge trifilaires pourvus de fiches à trois broches ainsi que des prises à trois broches.

REMARQUE : Plus le calibre est petit, plus le fil est gros.

DIMENSIONS DE RALLONGES RECOMMANDÉES OUTILS 120 VOLTS COURANT ALTERNATIF

Intensité nominale de l'outil	Calibre A.W.G.				Calibre en mm ²			
	Longueur en pieds				Longueur en mètres			
	25	50	100	150	15	30	60	120
3-6	18	16	16	14	0,75	0,75	1,5	2,5
6-8	18	16	14	12	0,75	1,0	2,5	4,0
8-10	18	16	14	12	0,75	1,0	2,5	4,0
10-12	16	16	14	12	1,0	2,5	4,0	—
12-16	14	12	—	—	—	—	—	—

** Étui

* Lame

(* = équipement standard)

(** = accessoire en option)

Guide de diagnostic

AVERTISSEMENT

Commencer par lire le mode d'emploi ! Débranchez le cordon d'alimentation de la prise de courant avant d'effectuer des réglages ou d'assembler la lame.

CAUSES POSSIBLES :

PROBLÈME : LA SCIE NE DÉMARRE PAS.

1. Le cordon d'alimentation n'est pas branché.
2. Le fusible est grillé ou le disjoncteur est déclenché.
3. Le cordon d'alimentation est endommagé.
4. L'interrupteur est grillé.

SOLUTIONS :

1. Brancher le cordon de la scie.
2. Remplacer le fusible ou réenclencher le disjoncteur.
3. Inspecter le cordon pour évaluer les dommages possibles. En cas d'endommagement, faire remplacer le cordon par un Centre de service ou une station service Skil agréé.
4. Faire remplacer l'interrupteur par un Centre de service ou une station service Skil agréé.

CAUSES POSSIBLES :

PROBLÈME : LA LAME NE TOURNE PAS À UNE VITESSE SUFFISANTE.

1. La rallonge du cordon d'alimentation est trop long ou son calibre est trop faible.
2. La tension secteur est insuffisante.

SOLUTIONS :

1. Utiliser une rallonge adéquate.
2. Contacter la compagnie d'électricité.

CAUSES POSSIBLES :

PROBLÈME : VIBRATIONS EXCESSIVES

1. La lame est déformée.
2. La lame n'est pas bien assujettie dans le porte-lame.

SOLUTIONS :

1. Mettre la lame au rebut et en installer une autre.
2. Voir la section d'assemblage « Installation d'une lame » (page 19).

CAUSES POSSIBLES :

PROBLÈME : LA LAME SE COINCE, LE MOTEUR CALE OU IL Y A UN EFFET DE REBOND PENDANT LA COUPE.

1. La lame est émoussée et la voie des dents est mal adaptée.
2. La pointe de la lame entre en contact avec l'ouvrage ou l'intérieur du tuyau.

SOLUTIONS :

1. Mettre la lame au rebut et en utiliser une autre.
2. Ne pas frapper la pointe de la lame pendant la coupe et s'assurer que la lame est assez longue pour couper le tuyau sur tout son diamètre.



Advertencias generales de seguridad para herramientas mecánicas



ADVERTENCIA

Lea todas las advertencias de seguridad y todas las instrucciones. Si no se siguen las advertencias e instrucciones, el resultado podría ser sacudidas eléctricas, incendio y/o lesiones graves.

GUARDE TODAS LAS ADVERTENCIAS E INSTRUCCIONES PARA REFERENCIA FUTURA

La expresión “herramienta mecánica” en las advertencias se refiere a su herramienta mecánica alimentada por la red eléctrica (herramienta alámbrica) o su herramienta mecánica alimentada por baterías (herramienta inalámbrica).

Seguridad del área de trabajo

Mantenga el área de trabajo limpia y bien iluminada. Las áreas desordenadas u oscuras invitan a que se produzcan accidentes.

No utilice herramientas mecánicas en atmósferas explosivas, como por ejemplo en presencia de líquidos, gases o polvos inflamables. Las herramientas mecánicas generan chispas que pueden incendiar el polvo o los vapores.

Mantenga alejados a los niños y a las personas que estén presentes mientras esté utilizando una herramienta mecánica. Las distracciones pueden hacerle perder el control de la herramienta.

Seguridad eléctrica

Los enchufes de las herramientas mecánicas deben coincidir con el tomacorriente. No modifique nunca el enchufe de ningún modo. No use enchufes adaptadores con herramientas mecánicas conectadas a tierra (puestas a tierra). Los enchufes no modificados y los tomacorrientes coincidentes reducirán el riesgo de sacudidas eléctricas.

Evite el contacto del cuerpo con las superficies conectadas o puestas a tierra, tales como tuberías, radiadores, estufas y refrigeradores. Hay un aumento del riesgo de sacudidas eléctricas si el cuerpo del operador se conecta o pone a tierra.

No esponga las herramientas mecánicas a la lluvia o a condiciones mojadas. La entrada de agua en una herramienta mecánica aumentará el riesgo de que se produzcan sacudidas eléctricas.

No maltrate el cordón de energía. No use nunca el cordón para transportar la herramienta mecánica, tirar de ella o desenchufarla. Mantenga el cordón alejado del calor, el aceite, los bordes afilados o las piezas móviles. Los cordones dañados o enganchados aumentan el riesgo de que se produzcan sacudidas eléctricas.

Cuando utilice una herramienta mecánica en el exterior, use un cordón de extensión adecuado para uso a la intemperie. La utilización de un cordón adecuado para uso a la intemperie reduce el riesgo de que se produzcan sacudidas eléctricas.

Si es inevitable utilizar una herramienta mecánica en un lugar húmedo, utilice una fuente de energía

protegida por un interruptor de circuito accionado por corriente de pérdida a tierra (GFCI). El uso de un GFCI reduce el riesgo de sacudidas eléctricas.

Seguridad personal

Manténgase alerta, fíjese en lo que está haciendo y use el sentido común cuando esté utilizando una herramienta mecánica. No use una herramienta mecánica cuando esté cansado o bajo la influencia de drogas, alcohol o medicamentos. Un momento de distracción mientras esté utilizando herramientas mecánicas podría causar lesiones corporales graves.

Use equipo de protección personal. Use siempre protección de los ojos. El equipo de protección, como por ejemplo una máscara antipolvo, calzado de seguridad antideslizante, casco o protección de oídos, utilizado para las condiciones apropiadas, reducirá las lesiones corporales.

Evite el arranque accidental. Asegúrese de que el interruptor esté en la posición de apagado antes de conectar la herramienta a la fuente de energía y / o al paquete de batería, levantar la herramienta o transportarla. Transportar herramientas mecánicas con un dedo en el interruptor o encender herramientas mecánicas que tengan el interruptor en la posición de encendido invita a que se produzcan accidentes.

Quite todas las llaves de ajuste o de tuerca antes de encender la herramienta mecánica. Una llave de tuerca o de ajuste que se deje colocada en una pieza giratoria de la herramienta mecánica podría causar lesiones corporales.

No intente alcanzar demasiado lejos. Mantenga un apoyo de los pies y un equilibrio apropiados en todo momento. Esto permite controlar mejor la herramienta mecánica en situaciones inesperadas.

Vístase adecuadamente. No use ropa holgada ni alhajas holgadas. Mantenga el pelo, la ropa y los guantes alejados de las piezas móviles. La ropa holgada, las alhajas holgadas o el pelo largo pueden quedar atrapados en las piezas móviles.

Si se proporcionan dispositivos para la conexión de instalaciones de extracción y recolección de polvo, asegúrese de que dichas instalaciones estén conectadas y se usen correctamente. El uso de dispositivos de recolección de polvo puede reducir los peligros relacionados con el polvo.





Uso y cuidado de las herramientas mecánicas

No fuerce la herramienta mecánica. Use la herramienta mecánica correcta para la aplicación que desee realizar. La herramienta mecánica correcta hará el trabajo mejor y con más seguridad a la capacidad nominal para la que fue diseñada.

No use la herramienta mecánica si el interruptor no la enciende y apaga. Toda herramienta mecánica que no se pueda controlar con el interruptor es peligrosa y debe ser reparada.

Desconecte el enchufe de la fuente de energía y/o el paquete de batería de la herramienta mecánica antes de hacer cualquier ajuste, cambiar accesorios o almacenar herramientas mecánicas. Dichas medidas preventivas de seguridad reducen el riesgo de arrancar accidentalmente la herramienta mecánica.

Guarde las herramientas que no esté usando fuera del alcance de los niños y no deje que personas que no estén familiarizadas con la herramienta mecánica o con estas instrucciones utilicen la herramienta. Las herramientas mecánicas son peligrosas en manos de usuarios que no hayan recibido capacitación.

Mantenga las herramientas mecánicas. Compruebe si hay piezas móviles desalineadas o que se atorán, si

hay piezas rotas y si existe cualquier otra situación que podría afectar el funcionamiento de la herramienta mecánica. Si la herramienta mecánica está dañada, haga que la reparen antes de usarla. Muchos accidentes son causados por herramientas mecánicas mantenidas deficientemente.

Mantenga las herramientas de corte afiladas y limpias. Es menos probable que las herramientas de corte mantenidas apropiadamente, con bordes de corte afilados, se atorren, y dichas herramientas son más fáciles de controlar.

Utilice la herramienta mecánica, los accesorios, las brocas de la herramienta, etc., de acuerdo con estas instrucciones, teniendo en cuenta las condiciones de trabajo y el trabajo que se vaya a realizar. El uso de la herramienta mecánica para operaciones distintas a aquéllas para las que fue diseñada podría causar una situación peligrosa.

Servicio de ajustes y reparaciones

Haga que su herramienta mecánica reciba servicio de un técnico de reparaciones calificado, utilizando únicamente piezas de repuesto idénticas. Esto asegurará que se mantenga la seguridad de la herramienta mecánica.

Normas de seguridad para sierras alternativas

Agarre la herramienta eléctrica por las superficies de agarre con aislamiento cuando realice una operación en la que el herramienta de corte pueda entrar en contacto con cables ocultos o con su propio cable de alimentación. El herramienta de corte que entre en contacto con un cable que tenga corriente puede hacer que las partes metálicas de la herramienta eléctrica que estén al descubierto tengan corriente y podrían causar una descarga eléctrica al operador.

Use abrazaderas u otro modo práctico de sujetar y soportar la pieza de trabajo en una plataforma estable. Si se sujeta la pieza de trabajo con la mano o contra el cuerpo, se crea una situación inestable que podría causar pérdida de control.

No taladre, rompa, ni haga trabajo de sujeción en paredes existentes ni en otras áreas ciegas donde pueda haber cables eléctricos. Si esta situación es inevitable, desconecte todos los fusibles o cortacircuitos que alimentan este sitio de trabajo.

Nunca deje el gatillo fijo en la posición "ON" (encendido). Antes de enchufar la herramienta, compruebe que el cierre del gatillo esté en la posición "OFF" (apagado). Un arranque accidental podría causar lesiones.

Mantenga las manos alejadas del área de corte. No ponga la mano debajo del material que se está cortando. La proximidad de la hoja a la mano queda oculta a la vista.

Mantenga las manos alejadas del espacio entre la caja de engranajes y el soporte de la hoja de sierra. El soporte de la hoja de vaivén puede pellizcarle los dedos.

No utilice hojas desfiladas ni dañadas. Una hoja doblada puede romperse fácilmente o causar retroceso.

Antes de comenzar el corte, encienda la herramienta y deje que la hoja alcance toda su velocidad. La herramienta puede chirriar o vibrar si la velocidad de la hoja es demasiado lenta al comienzo del corte y posiblemente puede experimentar retroceso.

Use siempre gafas de seguridad o protección de los ojos cuando utilice esta herramienta. Use una máscara antipolvo o un respirador para aplicaciones que generan polvo.

Fije el material antes de cortar. Nunca lo tenga en la mano ni sobre las piernas. El material pequeño o delgado puede curvarse o vibrar con la hoja, causando pérdida de control.

Asegúrese de que todos los tornillos de ajuste y el soporte de la hoja estén apretados antes de hacer un corte. Si los tornillos de ajuste y los soportes están flojos, pueden hacer que la herramienta o la hoja resbale, pudiendo producirse pérdida de control.

Al quitar la hoja de la herramienta, evite el contacto con la piel y use guantes protectores adecuados al agarrar la hoja o el accesorio. Los accesorios pueden estar calientes después del uso prolongado.





Advertencias de seguridad adicionales

Un GFCI y los dispositivos de protección personal, como guantes de goma y calzado de goma de electricista, mejorarán más su seguridad personal.

No use herramientas mecánicas con capacidad nominal solamente para CA con una fuente de energía de CC. Aunque pueda parecer que la herramienta funciona correctamente, es probable que los componentes eléctricos de la herramienta con capacidad nominal para CA fallen y creen un peligro para el operador.

Mantenga los mangos secos, limpios y libres de aceite y grasa. Las manos resbalosas no pueden controlar de modo seguro la herramienta mecánica.

Desarrolle un programa de mantenimiento periódico de la herramienta. Cuando limpie una herramienta, tenga cuidado de no desmontar ninguna de sus partes, ya que los cables internos podrían reubicarse incorrectamente o pellizcarse, o los resortes de retorno de los protectores de seguridad podrían montarse incorrectamente. Ciertos agentes de limpieza, tales como gasolina, tetracloruro de carbono, amoníaco, etc., podrían dañar las piezas de plástico.

Riesgo de lesiones para el usuario. El cordón de energía debe recibir servicio de ajustes y reparaciones solamente por un Centro de Servicio de Fábrica Skil o una Estación de Servicio Skil Autorizada.

ADVERTENCIA

Cierto polvo generado por el lijado, aserrado, amolado y taladrado mecánicos, y por otras actividades de construcción, contiene agentes químicos que se sabe que causan cáncer, defectos de nacimiento u otros daños sobre la reproducción. Algunos ejemplos de estos agentes químicos son:

- Plomo de pinturas a base de plomo,
- Sílice cristalina de ladrillos y cemento y otros productos de mampostería, y
- Arsénico y cromo de madera tratada químicamente.

Su riesgo por causa de estas exposiciones varía, dependiendo de con cuánta frecuencia realice este tipo de trabajo. Para reducir su exposición a estos agentes químicos: trabaje en un área bien ventilada y trabaje con equipo de seguridad aprobado, como por ejemplo máscaras antipolvo que estén diseñadas especialmente para impedir mediante filtración el paso de partículas microscópicas.



Símbolos

IMPORTANTE: Es posible que algunos de los símbolos siguientes se usen en su herramienta. Por favor, estúdielos y aprenda su significado. La interpretación adecuada de estos símbolos le permitirá utilizar la herramienta mejor y con más seguridad.

Símbolo	Nombre	Designación/explicación
V	Volt	Tensión (potencial)
A	Ampere	Corriente
Hz	Hertz	Frecuencia (ciclos por segundo)
W	Watt	Potencia
kg	Kilogramo	Peso
min	Minuto	Tiempo
s	Segundo	Tiempo
\varnothing	Diámetro	Tamaño de las brocas taladradoras, muelas, etc
n_0	Velocidad sin carga	Velocidad rotacional sin carga
n	Velocidad nominal	Velocidad nominal del fabricante
.../min	Revoluciones o alternación por minuto	Revoluciones, golpes, velocidad de superficie, órbitas, etc., por minuto
0	Posición "off" (apagado)	Velocidad cero, par motor cero...
1, 2, 3, ... I, II, III,	Graduaciones del selector	Graduaciones de velocidad, par motor o posición. Un número más alto significa mayor velocidad
	Selector infinitamente variable con apagado	La velocidad aumenta desde la graduación de 0
	Flecha	Acción en la dirección de la flecha
	Corriente alterna	Tipo o una característica de corriente
	Corriente continua	Tipo o una característica de corriente
	Corriente alterna o continua	Tipo o una característica de corriente
	Construcción de clase II	Designa las herramientas de construcción con aislamiento doble.
	Terminal de toma de tierra	Terminal de conexión a tierra
	Símbolo de advertencia	Alerta al usuario sobre mensajes de advertencia
	Sello RBRC de Li-ion	Designa el programa de reciclaje de baterías de Li-ion
	Sello RBRC de Ni-Cd	Designa el programa de reciclaje de baterías de Ni-Cd
	Símbolo de lectura del manual	Alerta al usuario para que lea el manual
	Símbolo de uso de protección de los ojos	Alerta al usuario para que use protección de los ojos



Símbolos (continuación)

IMPORTANTE: Es posible que algunos de los símbolos siguientes se usen en su herramienta. Por favor, estúdielos y aprenda su significado. La interpretación adecuada de estos símbolos le permitirá utilizar la herramienta mejor y con más seguridad.



Este símbolo indica que esta herramienta está catalogada por Underwriters Laboratories.



Este símbolo indica que esta herramienta está reconocida por Underwriters Laboratories.



Este símbolo indica que Underwriters Laboratories ha catalogado esta herramienta indicando que cumple con las normas estadounidenses y canadienses.



Este símbolo indica que esta herramienta está catalogada por la Canadian Standards Association.



Este símbolo indica que la Canadian Standards Association ha catalogado esta herramienta indicando que cumple con las normas estadounidenses y canadienses.



Este símbolo indica que Intertek Testing Services ha catalogado esta herramienta indicando que cumple con las normas estadounidenses y canadienses.



Este símbolo indica que esta herramienta cumple con la norma mexicana oficial (NOM).

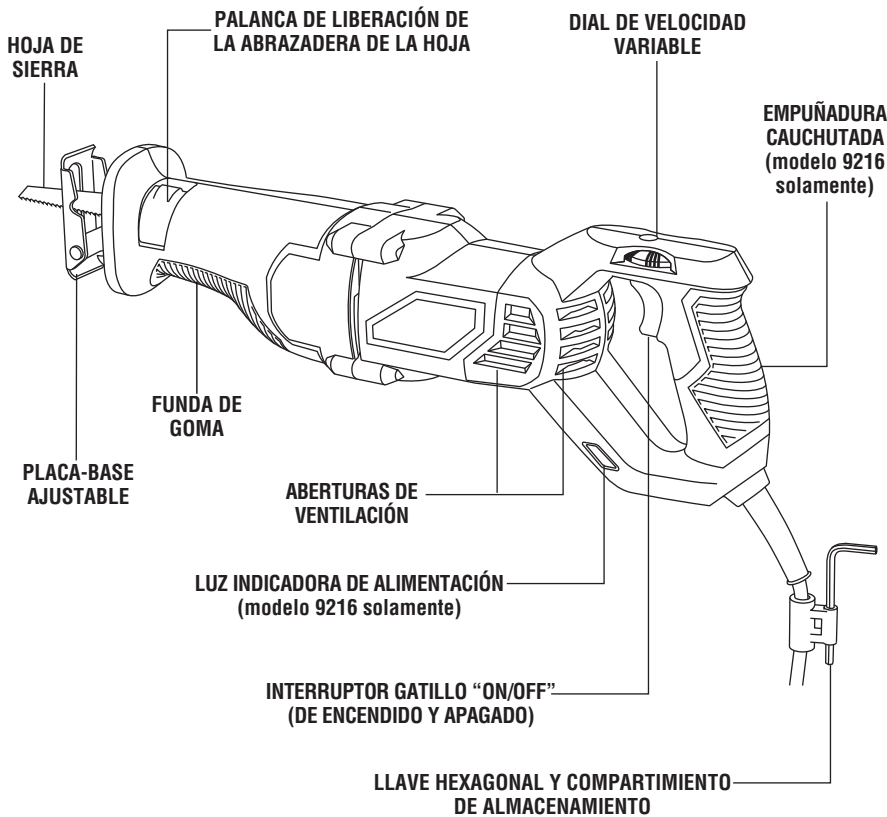


Descripción funcional y especificaciones

⚠ ADVERTENCIA Desconecte el enchufe de la fuente de energía antes de realizar cualquier ensamblaje o ajuste, o cambiar accesorios. Estas medidas de seguridad preventivas reducen el riesgo de arrancar la herramienta accidentalmente.

Sierras alternativas

FIG. 1



NOTA: Para obtener las especificaciones de la herramienta, consulte la placa del fabricante colocada en la herramienta.

Ensamblaje

Preparación de la sierra SELECCIÓN DE HOJAS

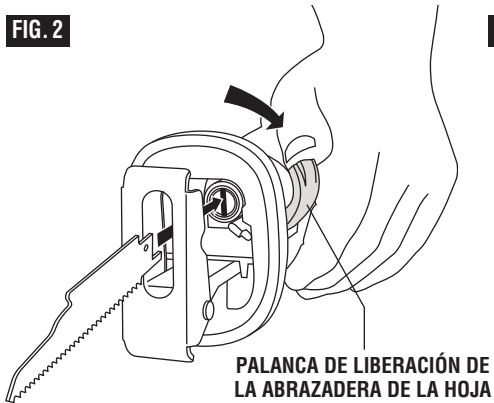
Ninguna hoja puede ser eficaz en todos los trabajos de corte. Materiales diferentes requieren hojas diseñadas especialmente. Como la sierra alternativa puede cortar tantos materiales, hay muchos tipos de hojas SKIL disponibles. Asegúrese de utilizar la hoja adecuada para asegurar un rendimiento de corte adecuado.

INSTALACIÓN DE UNA HOJA

⚠ ADVERTENCIA Desenchufe la herramienta de la fuente de energía antes de cambiar la hoja o hacer ajustes.

Jale la palanca de liberación de la abrazadera de la hoja tanto como se pueda para abrir la abrazadera que no necesita herramienta; introduzca la hoja hasta que se detenga (Fig. 2).

FIG. 2

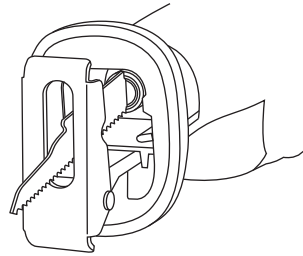


Para fijar la hoja, suelte la palanca. El mecanismo accionado por resorte fijará la abrazadera contra la hoja (Fig. 3).

Empuje la hoja hacia adentro y tire de ella hacia afuera para asegurarse de que el pasador de la carcasa de la abrazadera atraviese el agujero de la hoja para sujetarla firmemente. La hoja puede introducirse con los dientes orientados hacia abajo o hacia arriba.

⚠ ADVERTENCIA Asegúrese de que el extremo delantero de la hoja se extienda a través de la placa-base a lo largo de toda la longitud de la carrera. No utilice hojas especiales que sean muy cortas o que tengan una oblicuidad significativa. La hoja no debe hacer contacto con la placa-base. Una hoja que sea demasiado corta u oblicua podría atascarse dentro de la placa-base y romperse bruscamente.

FIG. 3



Instrucciones de funcionamiento

LUZ INDICADORA DE ALIMENTACIÓN (modelo 9216 solamente)

Cuando enchufe la herramienta en la fuente de energía, la luz indicadora de alimentación se encenderá, indicando que la herramienta está recibiendo alimentación eléctrica (Fig. 4).

INTERRUPTOR GATILLO "ON/OFF" (DE ENCENDIDO Y APAGADO)

Para encender la herramienta (posición "ON"), apriete el interruptor gatillo. Para apagar la herramienta (posición "OFF"), suelte el interruptor gatillo que está accionado por resorte y volverá a la posición "OFF" automáticamente (Fig. 4).

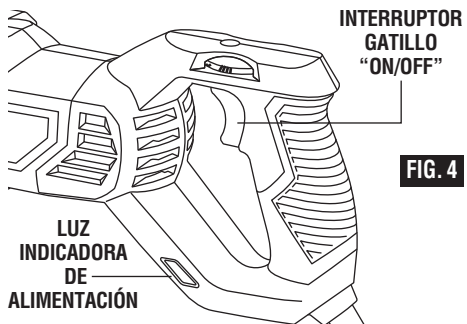


FIG. 4

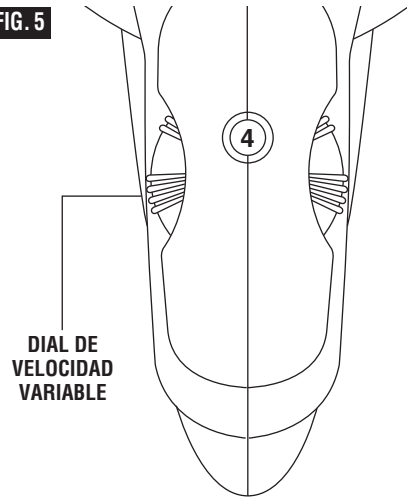
DIAL DE VELOCIDAD VARIABLE

La herramienta está equipada con un dial de velocidad variable. La velocidad de carrera de la hoja puede ajustarse durante la operación de corte pregraduando el dial en cualquiera de uno de los seis números o entre ellos (Fig. 5).

Posición	Régimen en CPM (carreras por minuto)
1-2	Carrera baja
3-4	Carrera intermedia
5-6	Carrera alta

Las posiciones de velocidad más altas se utilizan generalmente para realizar cortes rápidos o al cortar más suavemente materiales como madera, materiales compuestos y plásticos. Las posiciones de velocidad más bajas se utilizan generalmente cuando se requiere precisión o cuando se cortan materiales más duros. Los materiales que generalmente se cortan usando velocidades más bajas incluyen chapa metálica, conductos y tuberías.

FIG. 5



AJUSTE DE LA PLACA-BASE

La placa-base se inclina con el fin de mantener la mayor cantidad posible de su superficie en contacto con la superficie de trabajo Fig. 6. Para ajustar la placa-base, sujete la sierra firmemente y pivote la placa-base hasta la posición deseada.

La placa base también puede fijarse a las profundidades deseadas para optimizar la duración de la hoja y/o limitar cuánto sobresale la hoja más allá del final de la placa-

base al cortar en tubería de diámetro grande o en paredes.

Para ajustar la profundidad de la posición de la placa-base, simplemente afloje los dos tornillos ubicados en la funda de goma aislada con la llave suministrada, deslice y mueva la placa-base hasta la posición deseada y apriete firmemente el tornillo con la llave suministrada (Fig. 7).

FIG. 6

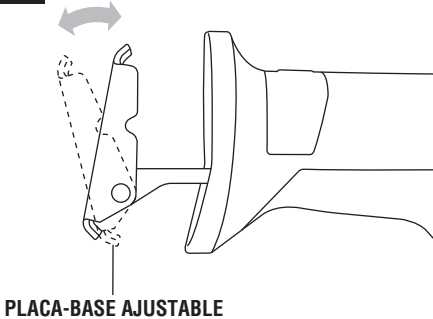
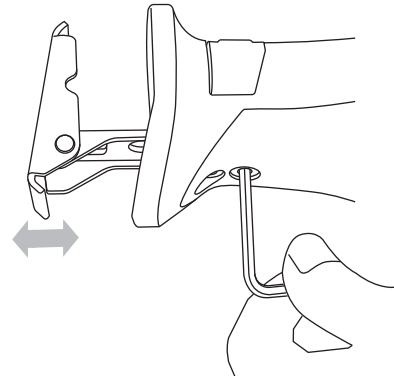


FIG. 7



Uso de la sierra

1. Fije la pieza de trabajo firmemente con abrazaderas.
2. Marque la línea de corte y agarre la herramienta con una mano en el mango y la otra mano ubicada en la funda de goma aislada que está sobre la carcasa delantera.

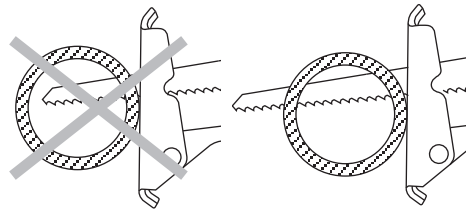
⚠ ADVERTENCIA Sujete siempre la sierra por la funda aislada que está en la carcasa delantera. Si aserra en un área ciega en la que haya cables con corriente, puede sufrir descargas eléctricas o electrocutarse.

- Mantenga la placa-base de la sierra firmemente contra la pieza de trabajo para minimizar la contrafuerza (salto) y la vibración.
- Apriete el gatillo para arrancar la herramienta. Deje que la sierra alcance toda su velocidad antes de comenzar el corte. Guíe la sierra de manera que la hoja se mueva a lo largo de la línea marcada.

CONSEJOS PARA ASERRAR

A continuación se dan unos sencillos consejos que reducirán el desgaste de la pieza de trabajo y la herramienta, y harán que el operador se canse menos.

- Las hojas cortan en la carrera de retorno o regreso. En piezas de trabajo finas, como paneles, fibra de vidrio, etc., coloque el lado bueno de la pieza de trabajo orientado hacia abajo.
- Utilice la hoja de sierra correcta para el material que se esté cortando y tenga a mano hojas adicionales para utilizarlas cuando las otras hojas se desafilan. Reemplace inmediatamente las hojas agrietadas o dobladas.
- Seleccione las posiciones de protección de la placa-base, así como la velocidad de corte apropiada.
- Para reducir el riesgo de lesiones, asegúrese de que la hoja se extienda siempre más allá de la placa-base y la pieza de trabajo a lo largo de toda la carrera. Las hojas pueden hacerse pedazos si su parte delantera golpea la pieza de trabajo y/o la placa-base.



INCORRECTO

CORRECTO

- Al cortar metal:

- Aplique un lubricante para realizar cortes más fáciles, suaves y rápidos, así como para prolongar la duración de la hoja.
- Para metales no ferrosos, aluminio, bronce o latón, utilice una barra de cera en la hoja.
- Para metales ferrosos, hierro y acero, utilice un aceite para maquinaria o de corte a lo largo de la superficie que se vaya a cortar.

- Cuando corte metal delgado, ponga el material entre dos pedazos de madera de desecho. Fíjelo con abrazaderas o póngalo en un tornillo de carpintero de banco. Puede utilizarse una pieza de madera en la parte superior del metal con sujeción adecuada con abrazaderas. Coloque las líneas de corte o el diseño de corte sobre la madera.
- No fuerce el corte. Deje que la sierra y la hoja hagan el trabajo.

CORTES DE BOLSILLO Y POR PENETRACIÓN

La sierra alternativa puede utilizarse para hacer cortes por penetración en material más blando (por ejemplo, en madera o materiales de construcción ligeros para paredes) sin tener que hacer un agujero de comienzo (Fig. 8).

- Marque la línea que se va a cortar claramente sobre la pieza de trabajo.
- Coloque la herramienta con un lado de la placa-base apoyado firmemente contra el material.
- Coloque la punta de la hoja (sin estar en marcha) sobre la línea que se va a cortar.
- Incline la sierra para que la hoja no toque la pieza de trabajo.
- Apriete el interruptor gatillo y cuidadosamente haga que la hoja de sierra en movimiento vaya penetrando en el material.
- Después de que la hoja haya atravesado la pieza de trabajo, continúe aserrando a lo largo del trazado marcado.

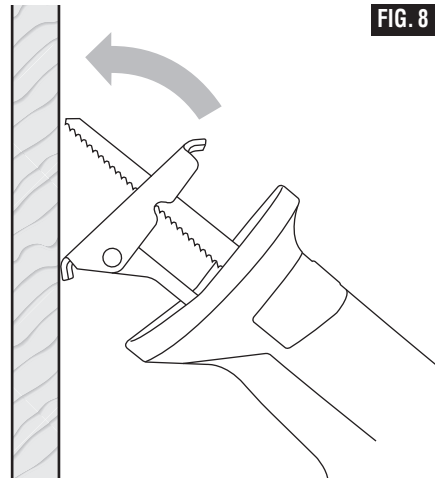


FIG. 8

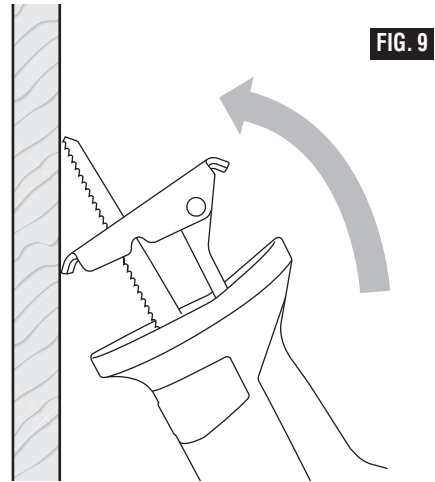
NOTAS:

Para facilitar la realización de cortes por penetración, utilice una hoja de calibre pesado, instale la hoja con los dientes orientados hacia arriba y sostenga la sierra en posición invertida de la manera que se muestra en la ilustración (Fig. 9).

No haga cortes por penetración en superficies metálicas.

En materiales gruesos y en materiales más duros, como metal, no debe intentarse hacer cortes por penetración. Dichos materiales pueden cortarse con la sierra alternativa solamente comenzando el corte desde el borde del material o desde un agujero hecho a través de todo el material que sea lo suficientemente grande como para acoplar la hoja de sierra.

⚠ ADVERTENCIA El uso de cualquier accesorio no especificado en este manual puede crear un peligro.



Mantenimiento

Servicio

⚠ ADVERTENCIA El mantenimiento preventivo realizado por personal no autorizado puede dar lugar a la colocación incorrecta de cables y componentes internos que podría constituir un peligro serio. Recomendamos que todo el servicio de las herramientas sea realizado por un Centro de servicio de fábrica Skil o por una Estación de servicio Skil autorizada.

LUBRICACIÓN DE LAS HERRAMIENTAS

Su herramienta Skil ha sido lubricada adecuadamente y está lista para la utilización. Se recomienda que las herramientas con engranajes se vuelvan a engrasar con un lubricante especial para engranajes en cada cambio de escobillas.

ESCOBILLAS DE CARBÓN

Las escobillas y el conmutador de la herramienta han sido diseñados para muchas horas de servicio fiable. Para mantener un rendimiento óptimo del motor, recomendamos que cada dos a seis meses se examinen las escobillas. Sólo se deben usar escobillas de repuesto Skil genuinas diseñadas específicamente para su herramienta.

Limpieza

⚠ ADVERTENCIA Para evitar accidentes desconecte siempre la herramienta de la fuente de energía antes de la limpieza o de la realización de cualquier mantenimiento. La herramienta se puede limpiar más eficazmente con aire comprimido seco. **Use gafas de seguridad siempre que limpie herramientas con aire comprimido.**

Las aberturas de ventilación y las palancas de interruptor deben mantenerse limpias y libres de materias extrañas. No intente limpiar introduciendo objetos puntiagudos a través de las aberturas.

⚠ PRECAUCIÓN Ciertos agentes de limpieza y disolventes dañan las piezas de plástico. Algunos de estos son: gasolina, tetracloruro de carbono, disolventes de limpieza clorados, amoníaco y detergentes domésticos que contienen amoníaco.

Accesorios

ADVERTENCIA Si es necesario un cordón de extensión, se debe usar un cordón con conductores de tamaño adecuado que sea capaz de transportar la corriente necesaria para la herramienta. Esto evitará caídas de tensión excesivas, pérdida de potencia o recalentamiento. Las herramientas conectadas a tierra deben usar cordones de extensión de 3 hilos que tengan enchufes de 3 terminales y receptáculos para 3 terminales.

NOTA: Cuanto más pequeño es el número de calibre, más grueso es el cordón.

TAMAÑOS RECOMENDADOS DE CORDONES DE EXTENSION HERRAMIENTAS DE 120 V CORRIENTE ALTERNA

Capacidad nominal en amperes de la herramienta	Tamaño del cordón en A.W.G.				Tamaños del cable en mm ²			
	Longitud del cordón en pies				Longitud del cordón en metros			
	25	50	100	150	15	30	60	120
3-6	18	16	16	14	0,75	0,75	1,5	2,5
6-8	18	16	14	12	0,75	1,0	2,5	4,0
8-10	18	16	14	12	0,75	1,0	2,5	4,0
10-12	16	16	14	12	1,0	2,5	4,0	—
12-16	14	12	—	—	—	—	—	—

** Estuche de transporte

* Hoja

(* = equipo estándar)

(** = accesorios opcionales)

Resolución de problemas

ADVERTENCIA Lea primero el manual de instrucciones! Saque el enchufe de la fuente de energía antes de hacer ajustes o ensamblar la hoja.

PROBLEMA

AVERÍA: LA SIERRA NO ARRANCA

1. El cordón de energía no está enchufado.
2. El fusible o el cortacircuitos de la fuente de energía ha saltado.
3. El cordón está dañado.
4. El interruptor está quemado.

REMEDIO

1. Enchufe la sierra.
2. Reemplace el fusible o reajuste el cortacircuitos que ha saltado.
3. Inspeccione el cordón para comprobar si está dañado. Si está dañado, haga que sea reemplazado p or un Centro de Servicio Skil Autorizado o una Estación de Servicio Skil Autorizada.
4. Haga que el interruptor sea reemplazado por un Centro de Servicio Skil Autorizado o una Estación de Servicio Skil Autorizada.

PROBLEMA

AVERÍA: LA HOJA NO ALCANZA TODA SU VELOCIDAD

1. El cordón de extensión es demasiado ligero o demasiado largo.
2. El voltaje de la red doméstica es bajo.

REMEDIO

1. Reemplace el cordón de extensión con un cordón adecuado.
2. Contacte a la compañía eléctrica.

PROBLEMA

AVERÍA: VIBRACIÓN EXCESIVA

1. La hoja está doblada
2. La hoja no está firmemente sujeta en el portahoja

REMEDIO

1. Deseche la hoja y use una hoja diferente
2. Consulte la sección de ensamblaje, "Instalación de una hoja" (página 30)

PROBLEMA

AVERÍA: EL CORTE SE ATORA, DETIENE EL MOTOR O PRODUCE RETROCESO AL REALIZARLO

1. La hoja está desafilada y tiene un triscado inadecuado de los dientes.
2. La punta de la hoja golpea la pieza de trabajo o el interior de la tubería.

REMEDIO

1. Deseche la hoja y use una hoja diferente.
2. No golpee la punta de la hoja mientras corta y asegúrese de que la hoja sea lo suficientemente larga como para cortar a través de una tubería.



Notes:

Remarques :

Notas:





LIMITED WARRANTY OF SKIL CONSUMER PORTABLE, BENCHTOP AND HD AND SHD HEAVY DUTY POWER TOOLS

Robert Bosch Tool Corporation ("Seller") warrants to the original purchaser only, that all SKIL consumer portable, benchtop and HD and SHD Heavy Duty power tools will be free from defects in material or workmanship for a period of one year from date of purchase. SKIL Benchtop and consumer portable power tool models will be free from defects in material or workmanship for a period of ninety days if the tool is used for professional use.

SELLER'S SOLE OBLIGATION AND YOUR EXCLUSIVE REMEDY under this Limited Warranty and, to the extent permitted by law, any warranty or condition implied by law, shall be the repair or replacement of parts, without charge, which are defective in material or workmanship and which have not been misused, carelessly handled, or misrepaired by persons other than Seller or Authorized Service Station. To make a claim under this Limited Warranty, you must return the complete product, transportation prepaid, to any SKIL Factory Service Center or Authorized Service Station. For Authorized SKIL Power Tool Service Stations, please visit www.skil.com or call 1-877-SKIL-999 (1-877-754-5999).

THIS LIMITED WARRANTY DOES NOT APPLY TO ACCESSORY ITEMS SUCH AS CIRCULAR SAW BLADES, DRILL BITS, ROUTER BITS, JIGSAW BLADES, SANDING BELTS, GRINDING WHEELS AND OTHER RELATED ITEMS.

ANY IMPLIED WARRANTIES SHALL BE LIMITED IN DURATION TO ONE YEAR FROM DATE OF PURCHASE. SOME STATES IN THE U.S., SOME CANADIAN PROVINCES DO NOT ALLOW LIMITATIONS ON HOW LONG AN IMPLIED WARRANTY LASTS, SO THE ABOVE LIMITATION MAY NOT APPLY TO YOU.

IN NO EVENT SHALL SELLER BE LIABLE FOR ANY INCIDENTAL OR CONSEQUENTIAL DAMAGES (INCLUDING BUT NOT LIMITED TO LIABILITY FOR LOSS OF PROFITS) ARISING FROM THE SALE OR USE OF THIS PRODUCT. SOME STATES IN THE U.S. AND SOME CANADIAN PROVINCES DO NOT ALLOW THE EXCLUSION OR LIMITATION OF INCIDENTAL OR CONSEQUENTIAL DAMAGES, SO THE ABOVE LIMITATION OR EXCLUSION MAY NOT APPLY TO YOU.

THIS LIMITED WARRANTY GIVES YOU SPECIFIC LEGAL RIGHTS, AND YOU MAY ALSO HAVE OTHER RIGHTS WHICH VARY FROM STATE TO STATE IN THE U.S., PROVINCE TO PROVINCE IN CANADA AND FROM COUNTRY TO COUNTRY.

THIS LIMITED WARRANTY APPLIES ONLY TO PRODUCTS SOLD WITHIN THE UNITED STATES OF AMERICA, CANADA AND THE COMMONWEALTH OF PUERTO RICO. FOR WARRANTY COVERAGE WITHIN OTHER COUNTRIES, CONTACT YOUR LOCAL SKIL DEALER OR IMPORTER.

GARANTIE LIMITÉE DES OUTILS ÉLECTRIQUES GRAND PUBLIC SKIL PORTATIFS, DE TABLE ET POUR USAGE INDUSTRIEL HD ET SHD

Robert Bosch Tool Corporation (le « Vendeur ») garantit à l'acheteur initial seulement que tous les outils électriques grand public SKIL portatifs, de table et pour usage industriel HD et SHD seront exempts de vices de matériau ou de façon pendant une période d'un an depuis la date d'achat. Les modèles d'outils électriques grand public SKIL portatifs et de table seront exempts de vices de matériau ou de façon pendant une période de quatre-vingt-dix jours si l'outil est utilisé professionnellement.

LA SEULE OBLIGATION DU VENDEUR ET LE SEUL RECOURS DE L'ACHETEUR sous la présente garantie limitée, et dans la mesure où la loi le permet sous toute garantie ou condition implicite qui en découlerait, sera l'obligation de remplacer ou réparer gratuitement les pièces défectueuses en termes de matériau ou de façon, pourvu que lesdites défectosités ne soient pas attribuables à un usage abusif ou à quelque réparation ou altération bricolée par quelqu'un d'autre que le Vendeur ou le personnel d'une station-service agréée. En cas de réclamation sous la présente garantie limitée, l'acheteur est tenu de renvoyer l'outil complet en port payé à un centre de service-usine SKIL ou une station-service agréée. Pour trouver les coordonnées de la station-service agréée SKIL la plus proche, veuillez visiter www.skil.com ou téléphoner au 1-877-SKIL-999 (1-877-754-5999).

LA PRÉSENTE GARANTIE NE S'APPLIQUE PAS AUX ACCESSOIRES TELS QUE LAMES DE SCIE CIRCULAIRE, MÊCHES DE PERCEUSES, FERS DE TOUPIES, LAMES DE SCIES SAUTEUSES, COURROIES DE PONÇAGE, MEULES ET AUTRES ARTICLES DU GENRE.

TOUTE GARANTIE IMPLICITE SERA LIMITÉE À UNE DURÉE À UN AN À COMPTER DE LA DATE D'ACHAT. COMME CERTAINS ÉTATS AMÉRICAINS ET CERTAINES PROVINCES CANADIENNES N'ADMETTENT PAS LE PRINCIPE DE LA LIMITATION DE LA DURÉE DES GARANTIES IMPLICITES, IL EST POSSIBLE QUE LES LIMITATIONS CI-DESSUS NE S'APPLIQUENT PAS À VOTRE CAS.

EN AUCUN CAS LE VENDEUR NE SAURAIT ÊTRE TENU POUR RESPONSABLE DES INCIDENTS OU DOMMAGES INDIRECTS (INCLUANT, MAIS NE SE LIMITANT PAS AUX PERTES DE PROFITS) CONSÉCUTIFS À LA VENTE OU À L'USAGE DE CE PRODUIT. COMME CERTAINS ÉTATS AMÉRICAINS ET CERTAINES PROVINCES CANADIENNES N'ADMETTENT PAS LE PRINCIPE DE LA LIMITATION OU DE L'EXCLUSION DES DOMMAGES INDIRECTS ET SECONDAIRES, IL EST POSSIBLE QUE LES LIMITATIONS OU EXCLUSIONS CI-DESSUS NE S'APPLIQUENT PAS À VOTRE CAS.

CETTE GARANTIE LIMITÉE VOUS DONNE DES DROITS PRÉCIS, ET VOUS POUVEZ ÉGALEMENT AVOIR D'AUTRES DROITS QUI VARIENT D'UN ÉTAT À L'AUTRE AUX ÉTATS-UNIS, D'UNE PROVINCE À L'AUTRE AU CANADA, ET D'UN PAYS À L'AUTRE.

CETTE GARANTIE LIMITÉE S'APPLIQUE UNIQUEMENT AUX OUTILS VENDUS AUX ÉTATS-UNIS D'AMÉRIQUE, AU CANADA ET DANS LE COMMONWEALTH DE PORTO RICO. POUR CONNAÎTRE LA COUVERTURE DE GARANTIE DANS LES AUTRES PAYS, CONTACTEZ VOTRE IMPORTATEUR OU REVENDEUR SKIL LOCAL.

GARANTÍA LIMITADA PARA HERRAMIENTAS MECÁNICAS PORTÁTILES DE CONSUMO, DE BANCO Y DE SERVICIO PESADO HD y SHD DE SKIL

Robert Bosch Tool Corporation ("el Vendedor") garantiza, únicamente al comprador original, que todas las herramientas mecánicas portátiles de consumo, de banco y de servicio pesado HD y SHD de SKIL estarán libres de defectos de material o de fabricación durante un período de un año a partir de la fecha de compra. Los modelos de herramientas mecánicas de banco y portátiles de consumo de SKIL estarán libres de defectos de material o de fabricación durante un período de noventa días si la herramienta se emplea para uso profesional.

LA ÚNICA OBLIGACIÓN DEL VENDEDOR Y EL RECURSO EXCLUSIVO QUE USTED TIENE bajo esta Garantía Limitada y, hasta donde la ley lo permita, bajo cualquier garantía o condición implícita por ley, consistirá en la reparación o sustitución sin costo de las piezas que presenten defectos de material o de fabricación y que no hayan sido utilizadas incorrectamente, manejadas descuidadamente o reparadas incorrectamente por personas que no sean el Vendedor o una Estación de servicio autorizada. Para efectuar una reclamación bajo esta Garantía Limitada, usted debe devolver el producto completo, con el transporte prepago, a cualquier Centro de servicio de fábrica SKIL o Estación de servicio SKIL autorizada. Para localizar Estaciones de servicio autorizadas de herramientas mecánicas SKIL, sírvase visitar www.skil.com o llame al 1-877-SKIL-999 (1-877-754-5999).

ESTA GARANTÍA LIMITADA NO SE APLICA A ARTÍCULOS ACCESORIOS TALES COMO HOJAS PARA SIERRAS CIRCULARES, BROCAS PARA TALADROS, BROCAS PARA FRESADORAS, HOJAS PARA SIERRAS DE VAIVÉN, CORREAS PARA LUJAR, RUEDAS DE AMOLAR Y OTROS ARTÍCULOS RELACIONADOS.

TODAS LAS GARANTÍAS IMPLÍCITAS TENDRÁN UNA DURACIÓN LIMITADA A UN AÑO A PARTIR DE LA FECHA DE COMPRA. ALGUNOS ESTADOS DE LOS EE.UU. Y ALGUNAS PROVINCIAS CANADIENSES NO PERMITEN LIMITACIONES EN CUANTO A LA DURACIÓN DE UNA GARANTÍA IMPLÍCITA, POR LO QUE ES POSIBLE QUE LA LIMITACIÓN ANTERIOR NO SEA APLICABLE EN EL CASO DE USTED.

EL VENDEDOR NO SERÁ RESPONSABLE EN NINGÚN CASO DE NINGÚN DAÑO INCIDENTAL O EMERGENTE (INCLUYENDO PERO NO LIMITADO A RESPONSABILIDAD POR PÉRDIDA DE BENEFICIOS) QUE SE PRODUZCA COMO CONSECUENCIA DE LA VENTA O UTILIZACIÓN DE ESTE PRODUCTO. ALGUNOS ESTADOS DE LOS EE.UU. Y ALGUNAS PROVINCIAS CANADIENSES NO PERMITEN LA EXCLUSIÓN O LIMITACIÓN DE LOS DAÑOS INCIDENTALES O EMERGENTES, POR LO QUE ES POSIBLE QUE LA LIMITACIÓN O EXCLUSIÓN ANTERIOR NO SEA APLICABLE EN EL CASO DE USTED.

ESTA GARANTÍA LIMITADA LE CONFIERE A USTED DERECHOS LEGALES ESPECÍFICOS Y ES POSIBLE QUE USTED TAMBIÉN TENGA OTROS DERECHOS QUE VARIAN DE ESTADO A ESTADO EN LOS EE.UU., DE PROVINCIA A PROVINCIA EN CANADÁ Y DE PAÍS EN PAÍS.

ESTA GARANTÍA LIMITADA SE APLICA SÓLO A LOS PRODUCTOS VENDIDOS EN LOS ESTADOS UNIDOS DE AMÉRICA, CANADÁ Y EL ESTADO LIBRE ASOCIADO DE PUERTO RICO. PARA COBERTURA DE GARANTÍA EN OTROS PAÍSES, PÓNGASE EN CONTACTO CON SU DISTRIBUIDOR O IMPORTADOR LOCAL DE SKIL.

© Robert Bosch Tool Corporation 1800 W. Central Road Mt. Prospect, IL 60056-2230

Exportado por: Robert Bosch Tool Corporation Mt. Prospect, IL 60056-2230, E.U.A.

Importado a México por: Robert Bosch, S.A. de C.V., Calle Robert Bosch No. 405, Zona Industrial, Toluca, Edo. de México, C.P. 50070, Tel. (722) 2792300

