

# Parrot®

# Zik

QUICK START GUIDE

GUIDA ALL'USO

BEDIENUNGSANLEITUNG

GUIDE D'UTILISATION RAPIDE

GEBRUIKERSHANDLEIDING

دليل التثبيت السريع

GUÍA DE INSTALACIÓN RÁPIDA

MANUAL DO UTILIZADOR

design by S+ARCK®



# Parrot®

# Zik

English .....	p.5
Français .....	p.19
Español .....	p.33
Deutsch .....	p.45
Italiano .....	p.57
Dutch .....	p.69
Português .....	p.83
العربية .....	p.97



## Warning

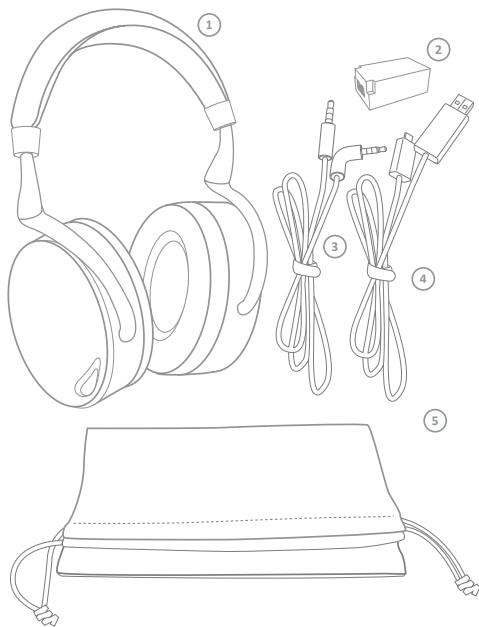
- Listening to music at high volumes for long periods can lead to hearing problems. We do not recommend using these headphones at maximum volume, particularly for long periods of time.
- To protect your hearing, turn down the volume of your music player before connecting your headphones. After putting on the headphones, gradually turn up the volume until you reach a suitable level. Sound levels are measured in decibels (dB). Exposure to sound 85 dB or above may result in gradual loss of hearing. Monitor your use. Hearing loss depends on the intensity of the sound and the duration. The higher the volume, the less your exposure capacity will last. The lower the volume, the longer your exposure period can be.
- Be responsible: pay attention to your environment (acoustic) when you are wearing your headphones and listening to music or the radio.
- Avoid hazardous behavior that may cause an accident for you or somebody else (pedestrians, motorcyclists, drivers, cyclists) or cause damage to property when you are wearing your headphones.
- Parrot would like to inform you that the use of stereo headphones is strictly forbidden when driving a motor vehicle. Parrot also recommends not listening to music or the radio through your headphones when riding a bicycle, a scooter or any other means of transport for which it is not compulsory to wear a helmet. Parrot cannot accept any responsibility if you choose to ignore these warnings.

## Content

Getting started.....	p.6
Music .....	p.9
Parrot Audio Suite .....	p.11
Telephone .....	p.12
Troubleshooting .....	p.14
General information .....	p.15

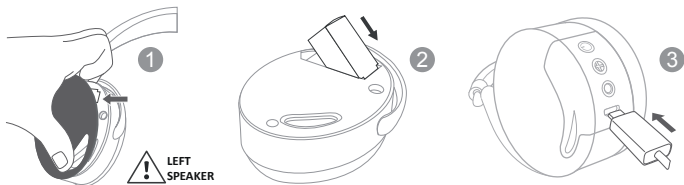
# Getting started

## Contents of the packaging



- 1 Parrot ZIK
- 2 Battery
- 3 Jack to Jack cable
- 4 USB to micro-USB cable
- 5 Carry pouch

## Battery




To install the battery, lift up the magnetic cover on the left hand speaker (1) and insert the battery in its compartment (2).

Before you use it for the first time, the Parrot ZIK must be fully charged. To do this, connect the Parrot ZIK to your computer via the USB to micro-USB cable (3). The indicator on the side of the micro-USB connector illuminates with a red light to show that the device is charging. Once charging is complete, the indicator light turns white.

When the battery is flat, you can still use the Parrot ZIK to listen to music if your audio player is connected to the headset via the Jack to Jack cable. Conversely, the telephone and *Bluetooth*® music transfer functions, audio effects and touch sensitive panel are not available.

### Switching the Parrot ZIK on/off

Press the button  to switch the product on/off.

You can also use the headset without switching it on by using the Jack to Jack cable (passive mode). In that case, the telephone and *Bluetooth*® music transfer functions, audio effects and touch sensitive panel are not available.

### Wearing the headset

Adjust the band without forcing it, so that the headphones will fit comfortably over your ears, then put the headset on, using the letters (L) and (R) to help you distinguish left and right. These letters can be seen on the headband.

*Note: The touch sensitive panel is located on the right speaker.*

## Downloading the Parrot Audio Suite application

Connect to the App Store® or Android Market® and download the free Parrot Audio Suite application. This application will allow you to change the settings of the Parrot ZIK.

## Bluetooth® Connection

Before the Parrot ZIK can be used with your telephone or Bluetooth® audio player, the two devices must be paired. Once the two devices have detected each other, it is no longer necessary to pair each time.

1. From your telephone or Bluetooth® audio player, start a search for Bluetooth® peripherals.
2. Select “Parrot ZIK”.
3. Enter “0000” on your telephone or audio player, if asked to do so. Depending on your model of telephone, it is possible that a PIN code will not be required.

Once your telephone is paired with the Parrot ZIK, the two devices will connect to each other automatically each time that the Parrot ZIK is switched on. It is not possible to simultaneously connect several devices to the Parrot ZIK.

***Note :** If your telephone has the NFC function, pairing is also possible by touching the Parrot ZIK's left loudspeaker with your telephone.*



# Music

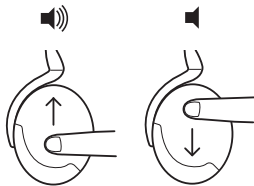
*Note: The touch sensitive panel is located on the right speaker.*

## Connecting the Parrot ZIK to the audio source

Connect the Jack to Jack cable supplied to the Parrot ZIK's right headphone and connect the other end to your audio player. If your telephone / *Bluetooth*® audio player supports *Bluetooth*® A2DP, you can also send music to your Parrot ZIK via *Bluetooth*®.

## Volume

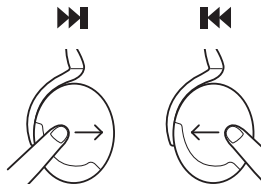
To increase the volume, swipe your finger upward on the touch sensitive panel. To decrease the volume, swipe your finger downward on the touch sensitive panel.



## Next / previous

If your audio player is connected to the Parrot ZIK via *Bluetooth*®:

- To return to the previous track, swipe your finger backward on the touch sensitive panel.
- To move to the next track, swipe your finger forward on the touch sensitive panel.



### **Pause / Play**

To pause the music, take off the headset. To start playing again, put the headset back on.



# Parrot Audio Suite

## Active noise cancellation

Use the Parrot Audio Suite application to activate / deactivate active noise cancellation.



## Parrot Concert Hall audio effect

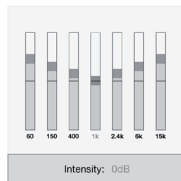
The Parrot Concert Hall audio effect allows you to simulate a musical scene. This effect can be activated and controlled using the Parrot Audio Suite application.

- Touch one of the four zones to select the dimensions of the virtual room and thus the perceived depth of the sound.
- Touch the arrows to adjust the orientation of the loudspeakers and thus the sound spread.



## Equalizer

The equalizer allows you to adjust the sound frequencies of your Parrot ZIK. Adjust the bass, tenors and trebles according to your preferences, moving the respective cursors from left to right. You can choose from among the various presets (example : Flat, Deep, Rock...) to adjust the frequencies to the style of music you are listening to.



# Telephone

*Note : The touch sensitive panel is located on the right speaker.*

## Receiving a call



An incoming call is indicated by a ring tone.

- If you want to accept the call, tap the touch sensitive panel.
- If you want to refuse the call, press and hold the touch sensitive panel for two seconds.

**Note :** *If you are not wearing the headset or you are taking it off at the moment the call arrives, it is transferred to your telephone.*

## Use during a call

To increase the volume during a call, swipe your finger upward on the touch sensitive panel. To decrease the volume during a call, swipe your finger downward on the touch sensitive panel. The volume is saved for future calls.

To transfer a call to your telephone, take the Parrot ZIK off.

To hang up, tap the touch sensitive panel.

## **Managing a second call**

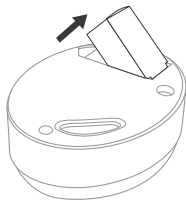
The Parrot ZIK allows you to manage two calls simultaneously, as long as your telephone supports this feature.

- Tap the touch sensitive panel to accept the second incoming call. The first call is automatically put on hold.
- Press and hold the touch sensitive panel for two seconds to refuse the second incoming call. You can also refuse the call from your telephone.
- Swipe the touch sensitive panel forward or backward to switch between calls.

# Troubleshooting

## Reset

In the event of a problem, you can reset the Parrot ZIK by removing the battery.



## Updating

Access your free product update and download directly from our website at [www.parrot.com](http://www.parrot.com), “Support” section and update the Parrot ZIK software using the provided USB / micro-USB cable. These updates allow you to improve your product’s compatibility.

## For more information

For more information or to contact our technical support team, visit our website at [www.parrot.com](http://www.parrot.com), “Support” section.

# General information

## Security information

- Do not disassemble, open, drop (mechanical abuse), crush, bend, deform, puncture, or shred.
- Do not modify or remanufacture, attempt to insert foreign objects into the battery, immerse or expose to water or other liquids, or expose to fire or excessive heat including soldering irons, or put in microwave.
- Only use the battery with the charging system specified by the manufacturer/supplier.
- Do not short-circuit a battery or allow metallic or conductive objects to contact both battery terminals simultaneously.
- Replace the battery only with another battery that has been qualified with same characteristics. Use of an unqualified battery may present a risk of fire, explosion, leakage, or other hazard.
- Dispose of used batteries promptly according to the manufacturer/supplier's instructions.
- Improper battery use may result in a fire, explosion, or other hazard.
- Battery usage by children should be supervised.

## Warranty

Without prejudice of legal warranty, Parrot products are warranted during 1 year from the date of purchase for defects in materials and workmanship, provided that no deterioration to the product has been made, and upon presentation of proof of purchase (date of purchase, location of sale and product serial number) to the retailer. Warranty does not cover: upgrading of the software items of the Parrot products with *Bluetooth*<sup>®</sup> cell phones for compatibility purpose, data recovery, deterioration of the external aspect due to normal use of the product, any damage caused by accident, misuse, misapplication, or non-Parrot products. Parrot is not responsible for storage, loss or damaged to data during transit or repair. Any product wrongfully declared to be defective will be returned to sender and inspection, process and carriage costs will be invoiced to him.

## Information relating to the battery and to the charger - Safety precautions

Only use the cigar-lighter adaptable charger provided. Never use a damaged charger. Remember to charge the device before storing for a long period of time. Do not leave your device in hot or cold areas (car in direct sunlight or parked in a garage in winter). Always store in area where temperatures remain stable. The charger and the device can become hot during charging. Do not cover. Do not use your device in the rain or in/near any damp area. Do not disassemble the device. In the event of battery leakage, avoid contact of the liquid with skin and eyes. If contact occurs, rinse affected areas with plenty of water and contact a physician.



### Correct disposal of This Product (Waste Electrical & Electronic Equipment)

This marking shown on the product or its literature indicates that it should not be disposed with other household wastes at the end of its working life. To prevent possible harm to the environment or human health from uncontrolled waste disposal, please separate this from other types of wastes and recycle it responsibly. Reset to promote the sustainable reuse of material resources. Household users should contact either the retailer where they purchased this product, or their local government office for details of where and how they can take this item for environmentally safe recycling. Business users should contract their supplier and the terms and conditions of the purchase contract. This product should not be mixed with other commercial wastes for disposal.

### Modifications

The explanations and specifications in this guide are given for information purposes only and may be modified without prior notice. They are deemed to be correct at the time of going to press. The utmost care has been taken when writing this guide as part of the aim to provide you with accurate information. However, Parrot shall not be held responsible for any consequences arising from any errors or omissions in the guide, nor for any damage or accidental loss of data resulting directly or indirectly from the use of the information herein. Parrot reserves the right to amend or improve the product design or user guide without any restrictions and without any obligation to notify users. If so, a later version of this guide might be available in electronic format at Parrot's website at [www.parrot.com](http://www.parrot.com).

### Declaration of Conformity

Parrot SA, 174 quai de Jemmapes, 75010 Paris, France, declare under their sole responsibility that the product described in this user guide complies with technical standards EN300328, EN301489-1, EN60065/A12:2011 following the provision of the Radio Equipment, Telecommunication Equipment directive (1999/5/EC R&TTE), and of the General Safety directive (2004/108/CE).

[http://www.parrot.com/uk/support/parrot-zik/zik\\_ce\\_conformity\\_declaration.pdf](http://www.parrot.com/uk/support/parrot-zik/zik_ce_conformity_declaration.pdf)

### FCC Compliance Statement

This equipment has been tested and found to comply with the limits for a Class B Digital Device, pursuant to Part 15 of the FCC Rules. These limits are designed to provide reasonable protection against harmful interference in a residential installation. This equipment generates, uses and can radiate radio frequency energy and, if not installed and used in accordance with the instructions, may cause harmful interference to radio communications. However, there is no guarantee that interference will not occur in a particular installation. If this equipment does cause harmful interference to radio or television reception, which can be determined by turning the equipment off and on, the user is encouraged to try to correct the interference by one or more of the following measures:



- Reorient or relocate the receiving antenna.
- Increase the distance between the equipment and receiver.
- Connect the equipment to an outlet on a circuit different from that to which the receiver is connected.

### IC Compliance Statement

This equipment has been tested and found to comply with the limits for a Class B Digital Device, with Industry Canada Licence-exempt RSS-GEN 7.1.3. These limits are designed to provide reasonable protection against harmful interference in a residential installation. This equipment generates, uses and can radiate radio frequency energy and, if not installed and used in accordance with the instructions, may cause harmful interference to radio communications. However, there is no guarantee that interference will not occur in a particular installation. If this equipment does cause harmful interference to radio or television reception, which can be determined by turning the equipment off and on, the user is encouraged to try to correct the interference by one or more of the following measures:

- Reorient or relocate the receiving antenna.
- Increase the distance between the equipment and receiver.
- Connect the equipment to an outlet on a circuit different from that to which the receiver is connected.

Copyright © 2012 Parrot. All rights reserved.

### Licences

Parrot and the Parrot logo are registered trademarks of PARROT SA.

ZIK is a trademark of Parrot SA.

App Store is a trademark of Apple Inc, registered in the USA and in other countries.

Android is a trademark of Google Inc.

The *Bluetooth*® word mark and logos are owned by the *Bluetooth*® SIG, Inc. and any use of such marks by Parrot S.A. is under license. *Bluetooth*® QDID : B017641 B017642 B019338

All other trademarks mentioned in this guide are protected and are the property of their respective owners.



## Avertissements

- L'écoute prolongée de musique à volume élevé peut causer des troubles auditifs. Il est conseillé de ne pas utiliser ce casque au volume maximum, en particulier pendant de longues durées.
- Pour éviter d'endommager votre audition, veillez à baisser le volume de votre lecteur de musique avant de brancher votre casque. Après avoir placé votre casque sur vos oreilles, augmentez progressivement le volume jusqu'à atteindre un niveau d'écoute agréable. Les niveaux sonores sont mesurés en décibels (dB). Toute exposition sonore égale ou supérieure à 85 dB peut engendrer la perte progressive de l'ouïe. Surveillez votre utilisation, la perte de l'ouïe dépend de l'intensité du son sur la durée. Plus le volume sera important, moins votre capacité d'exposition durera. Plus le volume sera faible, plus la durée de votre exposition pourra être importante.
- Soyez responsable : prêtez attention à votre environnement (acoustique) quand vous portez votre casque et que vous écoutez de la musique ou la radio.
- Evitez tout comportement dangereux qui pourrait causer un accident à vous-même ou à autrui (piéton, motard, conducteur, cycliste) ou occasionner des dommages aux biens lorsque vous portez votre casque.
- Parrot vous informe que l'utilisation d'un casque audio stéréo est strictement interdite pendant la conduite d'un véhicule automobile. Parrot vous recommande également de ne pas écouter de la musique ou la radio avec votre casque quand vous utilisez un vélo, une trottinette, ou tout moyen de locomotion pour lequel le port d'un casque de protection n'est pas obligatoire. Parrot dégage toute responsabilité si vous choisissez d'ignorer ces mises en garde.

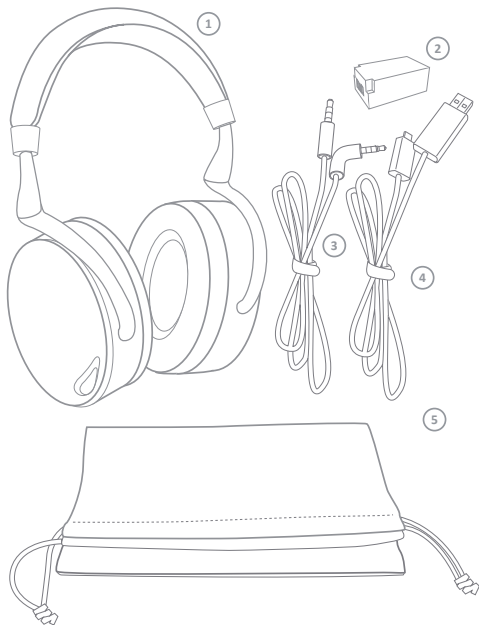
## Sommaire

Première utilisation .....	p.20
Musique .....	p.23
Parrot Audio Suite .....	p.25
Téléphone .....	p.26
En cas de problème .....	p.28
Informations générales .....	p.29

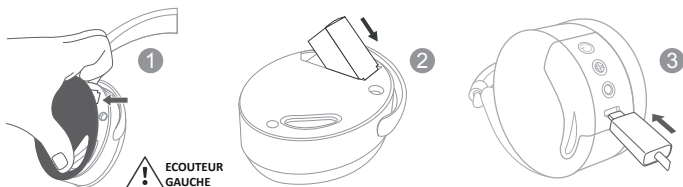
# Première utilisation

## Contenu de l'emballage

- 1 Parrot ZIK
- 2 Batterie
- 3 Câble jack / jack
- 4 Câble USB/micro-USB
- 5 Pochette de transport



## Batterie




Pour installer la batterie, soulevez la coque magnétique de l'écouteur gauche (1) et insérez la batterie dans le compartiment réservé à cet effet (2).

Avant la première utilisation, le Parrot ZIK doit être chargé complètement. Pour cela, connectez le Parrot ZIK à votre PC en utilisant le câble USB / micro-USB (3). Le voyant situé à côté de la prise micro-USB s'allume en rouge pour indiquer que la charge est en cours. Une fois la charge terminée, le voyant devient blanc.

Lorsque la batterie est vide, vous pouvez toujours utiliser le Parrot ZIK pour écouter votre musique si votre lecteur audio est connecté au casque via le câble jack/jack (mode passif). En revanche, les fonctions téléphone et transfert de musique via *Bluetooth*®, les effets audio ainsi que le panneau de commande tactile ne seront plus disponibles.

### Allumer / éteindre le Parrot ZIK

Appuyez sur la touche  pour allumer / éteindre le produit.

Vous pouvez également utiliser le casque sans l'allumer. Dans ce cas, vous pouvez utiliser le Parrot ZIK pour écouter votre musique si votre lecteur audio est connecté au casque via le câble jack/jack (mode passif). En revanche, les fonctions téléphone et transfert de musique via *Bluetooth*®, les effets audio ainsi que le panneau de commande tactile ne seront plus disponibles.

### Port du casque

Ajustez le serre-tête sans forcer afin que les écouteurs s'adaptent bien sur vos oreilles, puis mettez le casque en vous aidant des lettres qui différencient l'écouteur de gauche (L) de l'écouteur de droite (R). Ces lettres sont situées sur le serre-tête.

## Télécharger l'application Parrot Audio Suite

Connectez-vous sur l'App Store<sup>SM</sup> ou sur l'Android<sup>TM</sup> Market et téléchargez l'application gratuite Parrot Audio Suite. Cette application vous permettra d'ajuster les paramètres du casque.

### Connexion Bluetooth®

Avant d'utiliser le Parrot ZIK avec votre téléphone ou lecteur audio Bluetooth®, vous devez appairer (jume-ler) les deux appareils. Lorsque les deux appareils se seront détectés mutuellement, il ne sera plus néces-saire de procéder à cette opération.

1. Depuis votre téléphone ou lecteur audio Bluetooth®, lancez une recherche de périphériques Bluetooth®.
2. Sélectionnez « Parrot ZIK ».
3. Entrez « 0000 » sur votre téléphone ou lecteur audio si celui-ci vous y invite. Selon le modèle de votre téléphone, il est possible qu'aucun code PIN ne soit demandé.

Une fois votre téléphone appairé avec le Parrot ZIK, la connexion entre les 2 appareils sera automatique à chaque allumage du Parrot ZIK. Il n'est pas possible de connecter simultanément plusieurs appareils au Parrot ZIK.

*Note : Si votre téléphone dispose de la fonction NFC, vous pouvez également effectuer l'appairage en touchant l'écouteur gauche du Parrot ZIK avec votre téléphone.*

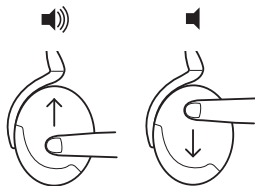
# Musique

## Connecter le Parrot ZIK à la source audio

Connectez le câble jack/jack fourni à l'écouteur droit du Parrot ZIK et connectez l'autre extrémité à votre lecteur audio. Si votre téléphone / lecteur audio *Bluetooth*® supporte le profil *Bluetooth*® A2DP, vous pouvez également envoyer de la musique via *Bluetooth*® sur votre Parrot ZIK. Pour cela, connectez votre appareil au lecteur audio, puis lancez la lecture d'un morceau.

## Volume

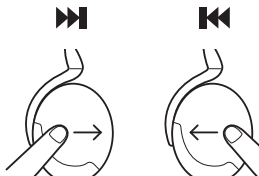
Pour augmenter le volume sonore, effleurez le panneau de commande tactile en déplaçant votre doigt vers le haut. Pour diminuer le volume sonore, effleurez le panneau de commande tactile en déplaçant votre doigt vers le bas.



## Morceau suivant / précédent

Si votre lecteur audio est connecté au Parrot ZIK via *Bluetooth*® :

- Pour revenir au morceau précédent, effleurez le panneau de commande tactile en déplaçant votre doigt vers l'arrière.
- Pour passer au morceau suivant, effleurez le panneau de commande tactile en déplaçant votre doigt vers l'avant.



## Pause / Lecture

Pour mettre votre musique en Pause, retirez le casque. Pour relancer la lecture, remettez le casque.





# Parrot Audio Suite

## Contrôle actif de bruit

Utiliser l'application Parrot Audio Suite pour activer / désactiver le contrôle actif de bruit.



## Parrot Concert Hall

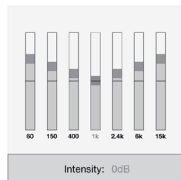
Parrot Concert Hall vous permet de simuler une scène musicale. Cet effet est activable et contrôlable via l'application Parrot Audio Suite.

- Touchez une des 4 zones pour sélectionner les dimensions de la pièce virtuelle et ainsi la profondeur ressentie du son.
- Touchez les flèches pour régler l'orientation des haut-parleurs et donc l'élargissement du son.



## Egaliseur

L'égaliseur vous permet de régler les fréquences sonores. Réglez les fréquences basses, moyennes et aigues selon vos préférences en utilisant respectivement les curseurs de gauche à droite. Vous pouvez choisir parmi les différents pré-réglages (ex : Flat, Deep, Rock...) pour adapter les fréquences au style de musique que vous écoutez.



# Téléphone

## Recevoir un appel



Un appel entrant est indiqué par une sonnerie.

- Si vous souhaitez accepter cet appel, touchez le panneau de commande tactile.
- Si vous souhaitez refuser cet appel, appuyez sur le panneau de commande tactile pendant 2 secondes.

*Note : Si vous ne portez pas le casque ou si vous retirez le casque au moment de l'appel entrant, l'appel est transféré sur votre téléphone.*

## Utilisation pendant un appel

Pour augmenter le volume sonore lors d'une communication, effleurez le panneau de commande tactile en déplaçant votre doigt vers le haut. Pour diminuer le volume sonore lors d'une communication, effleurez le panneau de commande tactile en déplaçant votre doigt vers le bas. Le volume est sauvegardé pour les communications suivantes.

Pour transférer une communication en cours sur votre téléphone, retirez le Parrot ZIK.

Pour raccrocher, appuyez sur le panneau de commande tactile.

## Double appel

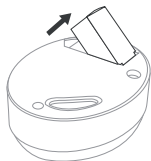
Le Parrot ZIK vous permet de gérer deux appels simultanément sous réserve que votre téléphone dispose de cette fonctionnalité.

- Appuyez sur le panneau de commande tactile pour accepter le deuxième appel entrant. Le premier appel est automatiquement mis en suspens.
- Appuyez 2 secondes sur le panneau de commande tactile pour refuser le deuxième appel entrant. Vous pouvez également refuser cet appel depuis votre téléphone.
- Effleurez le panneau de commande tactile vers l'avant ou vers l'arrière pour basculer d'un appel à l'autre.

# En cas de problème

## Redémarrage

En cas de problème, vous pouvez redémarrer le Parrot ZIK en retirant sa batterie.



## Mise à jour

Téléchargez gratuitement la dernière mise à jour de votre produit sur notre site web [www.parrot.com](http://www.parrot.com) section "Support", et installez la mise à jour en connectant le Parrot ZIK à votre ordinateur via le câble USB / micro-USB fourni. Ces mises à jour vous permettront d'améliorer la compatibilité du produit.

## Pour plus d'informations

Pour plus d'informations ou pour contacter notre support technique, connectez-vous sur notre site web [www.parrot.com](http://www.parrot.com), section "Support".

# Informations générales

## Informations de sécurité



A pleine puissance, l'écoute prolongée du baladeur peut endommager l'oreille de l'utilisateur.

- Ne pas démonter, ouvrir, jeter contre un obstacle, écraser, plier ou déformer, percer ou déchiqueter.
- Ne pas modifier la batterie, essayez d'insérer des objets étrangers dans la batterie, immerger ou exposer à l'eau ou autres liquides, exposer au feu ou à la chaleur excessive, y compris les fers à souder, ou mettre au four à micro-ondes.
- Utiliser la batterie uniquement avec le système de charge spécifié par le fabricant.
- Ne pas court-circuiter la batterie à l'aide d'objets métalliques ou conducteurs, ne pas relier les deux bornes de la batterie simultanément
- Remplacez uniquement la batterie par une autre batterie qui a été qualifiée du même type et avec les mêmes caractéristiques. L'utilisation d'une batterie non conforme peut présenter un risque d'incendie, d'explosion, de fuite ou d'autres dangers.
- Jetez la batterie usagée rapidement selon les instructions du fabricant / fournisseur.
- L'utilisation inadéquate de la batterie peut entraîner un risque d'incendie, d'explosion, ou d'autres dangers.
- Lors de l'utilisation de la batterie par des enfants, ceux-ci doivent être surveillés.

## Garantie

Sans préjudice de la garantie légale et de l'application des articles L -211-4, L 211-5 et L211-12 du code de la consommation et des articles 1641 à 1646 du code civil français, les produits PARROT sont garantis pendant une durée de 12 mois à compter de la date d'achat initial effectué par le consommateur, contre tout défaut de matériaux et de fabrication, sur présentation de la preuve d'achat (ticket de caisse, facture) au revendeur. Pendant la durée de garantie, le produit défectueux devra être retourné dans son emballage d'origine auprès du service SAV du revendeur. Après inspection du produit, PARROT, à son entière discrétion, procédera à la réparation ou au remplacement de la pièce ou du produit défectueux, à l'exclusion de tout autre dédommagement. La garantie ne couvre pas la mise à jour des logiciels inclus dans les produits Parrot avec des téléphones mobiles Bluetooth® à des fins de compatibilité, la récupération de données, la détérioration extérieure du produit due à une utilisation normale du produit, tout dommage causé par accident, une utilisation anormale ou non autorisée du produit, un produit non Parrot. Parrot n'est pas responsable du stockage, de la perte ou de l'endommagement des données durant le transport ou la réparation.

Tout produit s'avérant non défectueux sera retourné à l'expéditeur et les frais de traitement, de vérification et de transport lui seront facturés.



#### Comment recycler ce produit ?

##### Déchets d'équipements électriques et électroniques

Le symbole sur le produit ou sa documentation indique qu'il ne doit pas être éliminé en fin de vie avec les autres déchets ménagers. L'élimination incontrôlée des déchets pouvant porter préjudice à l'environnement ou à la santé humaine, veuillez le séparer des autres types de déchets et le recycler de façon responsable. Vous favoriserez ainsi la réutilisation durable des ressources matérielles. Les particuliers sont invités à contacter le distributeur leur ayant vendu le produit ou à se renseigner auprès de leur mairie pour savoir où et comment ils peuvent se débarrasser de ce produit afin qu'il soit recyclé en respectant l'environnement. Les entreprises sont invitées à contacter leurs fournisseurs et à consulter les conditions de leur contrat de vente. Ce produit ne doit pas être éliminé avec les autres déchets commerciaux.

#### Modifications

Les explications et spécifications contenues dans ce guide utilisateur ne sont fournies qu'à titre d'information et peuvent être modifiées sans notification préalable. Ces informations sont correctes au moment de l'impression et le plus grand soin est apporté lors de leur rédaction afin de vous fournir des informations les plus précises possible. Cependant, Parrot S.A. ne saurait être tenu responsable, directement ou indirectement, des éventuels préjudices ou pertes de données accidentelles résultant d'une erreur ou omission au sein du présent document. Parrot S.A. se réserve le droit d'amender ou améliorer le produit ainsi que son guide utilisateur sans aucune restriction ou obligation de prévenir l'utilisateur. Vous pourriez éventuellement trouver une nouvelle version du guide utilisateur au format électronique sur le site [www.parrot.com](http://www.parrot.com).

#### Déclaration de conformité

Parrot SA, 174 quai de Jemmapes, 75010 Paris, France, déclare sous son unique responsabilité que le produit décrit dans le présent guide utilisateur est en conformité avec les normes techniques EN300328, EN301489-1, IEC60065 suivant les dispositions de la directive R&TTE 99/5/EC et les exigences qui se rapportent à la directive EMC 2004/108/CE.

[http://www.parrot.com/fr/support/parrot-zik/zik\\_ce\\_conformity\\_declaration.pdf](http://www.parrot.com/fr/support/parrot-zik/zik_ce_conformity_declaration.pdf)

Copyright © 2012 Parrot. Tous droits réservés.

#### Marques déposées

Le nom et le logo *Bluetooth*® sont des marques déposées de *Bluetooth*® SIG, Inc. et toute utilisation de ces derniers par Parrot S.A. est faite sous licence. QDID : B017641 B017642 B019338  
App Store est une marque de service de Apple Inc.

Android™ est une marque de Google Inc.

Parrot, les logos Parrot sont des marques enregistrées de PARROT SA en France et dans d'autres pays.

ZIK est une marque de Parrot SA.

Toutes les autres marques mentionnées dans ce guide sont protégées et la propriété de leurs titulaires respectifs.

#### Déclaration de conformité Canada

L'utilisation de ce dispositif est autorisée seulement aux conditions suivantes :

1) il ne doit pas produire de brouillage et

2) l'utilisateur du dispositif doit être prêt à accepter tout brouillage radioélectrique, même si ce brouillage est susceptible de compromettre le fonctionnement du dispositif. Cet appareil numérique de la classe B est conforme à la norme NMB-003 du Canada.





## Advertencias

- La escucha prolongada de música a un volumen elevado puede causar trastornos auditivos. Es aconsejable no utilizar el auricular al volumen máximo, en particular durante tiempo prolongado.
- Para evitar daños auditivos, baje el volumen de su lector de música antes de conectar el auricular. Después, póngase el auricular en las orejas y aumente progresivamente el volumen hasta obtener un volumen de escucha agradable. Los niveles de sonido se miden en decibelios (dB). Las exposiciones a sonidos iguales o superiores a 85 dB pueden generar una pérdida progresiva del oído. Vigile el uso que realiza, la pérdida de oído depende de la intensidad del sonido en el tiempo. Cuanto mayor sea el volumen, menor será su capacidad de exposición. Cuanto más bajo sea el volumen, mayor podrá ser su capacidad de exposición.
- Sea responsable: preste atención a su entorno (acústico) cuando lleve puesto el auricular para escuchar música o la radio.
- Cuando lleve puesto el auricular, evite cualquier comportamiento peligroso que pueda causar un accidente que le implique a usted o a otra persona (peatón, motorista, conductor, ciclista) o que pueda ocasionar daños a objetos.
- Parrot le informa de que el uso del auricular audio estéreo está terminantemente prohibido mientras se conduce un vehículo automóvil. Asimismo, Parrot le recomienda no escuchar música o la radio con el auricular si utiliza bicicletas, patinetes o cualquier otro medio de locomoción para el que no sea obligatorio el uso del casco. Parrot declina cualquier responsabilidad si usted hace caso omiso de estas advertencias.

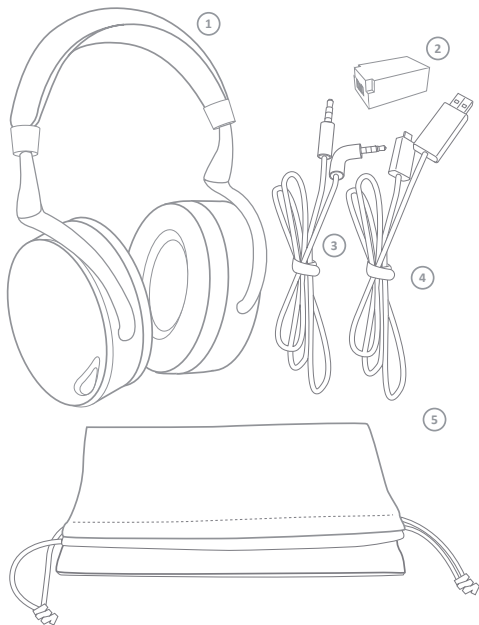
## Índice

Primera utilización .....	p.34
Música .....	p.37
Parrot Audio Suite .....	p.39
Teléfono .....	p.40
Si tiene algún problema .....	p.42
Información general .....	p.43

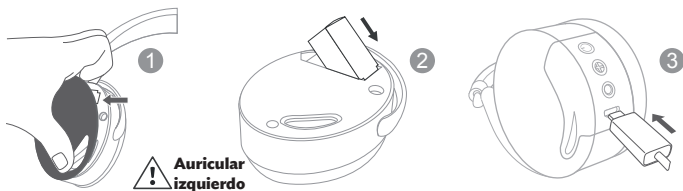
# Primera utilización

## Contenido del embalaje

- 1 Parrot ZIK
- 2 Batería
- 3 Cable jack/jack
- 4 Cable USB/micro-USB
- 5 Bolsa de transporte



## Batería



Para instalar la batería, levante la carcasa magnética del auricular izquierdo (1) e inserte la batería en el compartimento reservado para ello (2).

Antes de la primera utilización, el Parrot ZIK debe estar completamente cargado. Para ello, conecte el Parrot ZIK a su ordenador con el cable USB/micro-USB (3). Se encenderá el LED rojo situado al lado de la toma micro-USB para indicar que se está cargando. Una vez finalizada la carga, el LED cambiará a color blanco.

Cuando la batería está agotada, se puede seguir utilizando el Parrot ZIK para escuchar música si el lector de audio está conectado a los cascos con el cable jack/jack. En cambio, las funciones de teléfono y de transferencia de música por *Bluetooth*, los efectos de audio y el panel de control táctil no estarán disponibles.

## Encender/apagar el Parrot ZIK

Pulse la tecla para encender/apagar el producto.

También puede utilizar los cascos sin encenderlos. En este caso, puede utilizar el Parrot ZIK para escuchar música si el lector de audio está conectado a los cascos con el cable jack/jack. En cambio, las funciones de teléfono y de transferencia de música por *Bluetooth*, los efectos de audio y el panel de control táctil no estarán disponibles.

## Cómo ponerse los cascos

Ajuste la regulación para la cabeza para que los auriculares se adapten bien a sus orejas y póngase los cascos guiándose por las letras que distinguen el auricular izquierdo (L) del auricular derecho (R). Estas letras están situadas en la regulación para la cabeza.

## Descarga de la aplicación Parrot Audio Suite

Conéctese a la App Store<sup>SM</sup> o a Android<sup>TM</sup> Market y descargue la aplicación gratuita Parrot Audio Suite.

## Conexión Bluetooth

Antes de utilizar el Parrot ZIK con su teléfono o con un lector de audio *Bluetooth*, debe emparejar (conectar) ambos aparatos. Cuando los dos aparatos se hayan detectado mutuamente, ya no será necesario proceder a esta operación.

1. Desde su teléfono o lector de audio *Bluetooth*<sup>®</sup>, inicie una búsqueda de periféricos *Bluetooth*.
2. Seleccione «Parrot ZIK».
3. Marque «0000» en su teléfono o en el lector de audio si éste le pide el código. Según el modelo de teléfono, es posible que no le solicite ningún código PIN.

Una vez que el teléfono esté emparejado con el Parrot ZIK, la conexión entre los dos aparatos será automática cada vez que encienda el Parrot ZIK. El Parrot ZIK no admite la conexión simultánea de varios aparatos.

*Nota: si su teléfono dispone de la función NFC, también puede realizar el emparejamiento tocando el auricular izquierdo del Parrot ZIK con su teléfono.*

# Música

*Nota: el panel de control táctil está situado en el auricular derecho.*

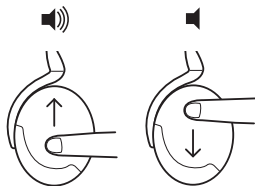
## Conexión del Parrot ZIK a la fuente de audio

Conecte un extremo del cable jack/jack incluido en el auricular derecho del Parrot ZIK y el otro extremo a su lector de audio. Si su teléfono/lector de audio *Bluetooth* soporta el perfil *Bluetooth* A2DP, también podrá enviar música por *Bluetooth* a su Parrot ZIK. Para ello, conecte su aparato al lector de audio e inicie la lectura de una canción.

## Volumen

Para subir el volumen, deslice el dedo sobre la superficie del panel de control táctil hacia arriba.

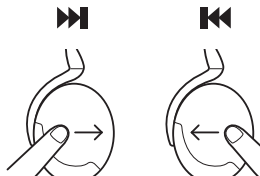
Para bajar el volumen, deslice el dedo sobre la superficie del panel de control táctil hacia abajo.



## Siguiente/anterior

Si el lector de audio está conectado al Parrot ZIK por *Bluetooth*:

- Para volver a la canción anterior, deslice el dedo sobre la superficie del panel de control táctil hacia atrás.
- Para pasar a la canción siguiente, deslice el dedo sobre la superficie del panel de control táctil hacia delante.



## **Pausa / Reproducción**

Para activar la pausa de la música, quítese los cascos. Para reiniciar la lectura, póngase los cascos.



# Parrot Audio Suite

## Control activo de ruido

Utilice la aplicación Parrot Audio Suite para activar/desactivar el control activo de ruido.



## Efecto Parrot Concert Hall

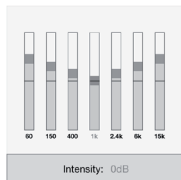
El efecto Parrot Concert Hall le permite simular una escena musical. Este efecto se activa y se controla con la aplicación Parrot Audio Suite.

- Toque una de las cuatro zonas para seleccionar las medidas de la sala virtual y con ello la profundidad que notará del sonido.
- Toque las flechas para regular la orientación de los altavoces y con ello la ampliación del sonido.



## Utilizar el ecualizador

El ecualizador le permite regular las frecuencias de sonido. Regule las frecuencias bajas, medias y agudas a su gusto, utilizando los cursores de izquierda a derecha. Puede elegir entre los distintos preajustes (ej.: Flat, Deep, Rock...) para adaptar las frecuencias al estilo de música que escuche.



# Teléfono

## Recibir una llamada



La llamada entrante se anuncia con una melodía.

- Para aceptar la llamada, toque el panel de control táctil.
- Para rechazar la llamada, pulse el panel de control táctil durante dos segundos.

*Nota: si no lleva puestos los cascos o si se quita los cascos en el momento de la llamada entrante, la llamada se transfiere a su teléfono*

## Utilización durante una llamada

Para subir el volumen del sonido durante una comunicación, deslice el dedo sobre la superficie del panel de control táctil hacia arriba. Para bajar el volumen del sonido durante una comunicación, deslice el dedo sobre la superficie del panel de control táctil hacia abajo. El volumen queda guardado para las siguientes comunicaciones.

Para transferir una comunicación en curso a su teléfono, quítese el Parrot ZIK.

Para colgar, pulse el panel de control táctil.



## Doble llamada

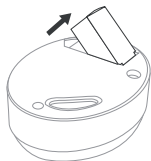
El Parrot ZIK le permite gestionar dos llamadas simultáneamente siempre que su teléfono cuente con esa función.

- Pulse el panel de control táctil para aceptar la segunda llamada entrante. La primera llamada queda automáticamente en suspenso.
- Pulse durante dos segundos el panel de control táctil para rechazar la segunda llamada entrante. También puede rechazar esa llamada desde el teléfono.
- Deslice el dedo sobre la superficie del panel de control táctil desplazándolo hacia adelante o hacia atrás para cambiar de una llamada a otra.

# Si tiene algún problema

## Reinicio

En caso de problema, puede reiniciar el Parrot ZIK quitándole la batería.



## Actualización

Descargue gratuitamente la última actualización de su producto en nuestra web [www.parrot.com](http://www.parrot.com) sección “Soporte”, e instale la actualización conectando el Parrot ZIK a su ordenador con el cable USB/micro-USB incluido. Las actualizaciones le permitirán mejorar la compatibilidad del producto.

## Para más información

Si desea más información o para contactar con nuestro soporte técnico, conéctese a nuestra web [www.parrot.com](http://www.parrot.com), sección “Soporte”.

# Información general

## Información relativa a la seguridad



Escuchar el reproductor a plena potencia durante un tiempo prolongado puede producir lesiones en el oído del usuario.

- No desmonte, abra, lance contra un obstáculo, aplaste, pliegue o deforme, perforo o descomponga la batería ni el aparato.
- No modifique la batería, no intente introducir objetos extraños en la batería, no la sumerja o exponga al agua o a otros líquidos, no la exponga al fuego o a calor excesivo, incluidos soldadores, ni la introduzca en el microondas.
- Utilice la batería únicamente con el sistema de carga especificado por el fabricante.
- No cortocircuite la batería con objetos metálicos o conductores, no conecte los dos bornes de la batería simultáneamente.
- Sustituya la batería únicamente por otra batería del mismo tipo y con características idénticas. El uso de una batería no conforme puede conllevar riesgos de incendio, explosión, fugas u otros peligros.
- Deseche la batería usada rápidamente siguiendo las instrucciones del fabricante/proveedor.
- El uso inadecuado de la batería puede conllevar riesgos de incendio, explosión u otros peligros.
- En caso de uso de la batería por parte de niños, éstos deben estar bajo vigilancia.

## Garantía

Sin perjudicar la garantía legal, Parrot garantiza sus productos, piezas y mano de obra incluidos, por el período de 1 año a partir de la fecha de compra, salvo en caso de alteración del producto. Esta fecha de compra debe estar certificada por una prueba de compra original del producto (recibo de caja) presentada al dependiente. La garantía no cubre: la actualización de los programas incluidos en los productos Parrot con teléfonos móviles dotados de la funcionalidad *Bluetooth*<sup>®</sup> con objetivo de compatibilidad, la recuperación de datos, la deterioración exterior causada por la desgaste cotidiana del producto, cualquier daño causado por un accidente, un uso anormal o no autorizado del producto, un producto de una marca diferente. Parrot no es responsable del almacenamiento de los datos, de sus pérdidas o de daños ocurridos durante el transporte o la reparación. Cualquier producto que no estuviese defectuoso se devolverá al cliente, y los gastos de intervención y de transporte serán a su cargo.

### Eliminación correcta de este producto



La presencia de esta marca en el producto o en el material informativo que lo acompaña, indica que al finalizar su vida útil no deberá eliminarse junto con otros residuos domésticos. Para evitar los posibles daños al medio ambiente o a la salud humana que representa la eliminación incontrolada de residuos, separe este producto de otros tipos de residuos y recíclalo correctamente para promover la reutilización sostenible de recursos materiales. Los usuarios particulares pueden contactar con el establecimiento donde adquirieron el producto, o con las autoridades locales pertinentes, para informarse sobre cómo y dónde pueden llevarlo para que sea sometido a un reciclaje ecológico y seguro. Los usuarios comerciales pueden contactar con su proveedor y consultar las condiciones del contrato de compra. Este producto no debe eliminarse mezclado con otros residuos comerciales.

### Modificaciones

Las explicaciones y especificaciones contenidas en este manual son meramente informativas y pueden ser modificadas sin previo aviso. Se consideran correctas en el momento de enviar la publicación a imprenta. Este manual se ha redactado con el máximo cuidado, con el fin de proporcionarle una información precisa. Sin embargo, Parrot no asume responsabilidad alguna por las consecuencias derivadas de los errores u omisiones que pueda haber en el manual, ni por los daños o pérdidas accidentales de datos que se produzcan como consecuencia directa o indirecta del uso de la información aquí contenida. Parrot se reserva el derecho a modificar o mejorar el diseño del producto o el manual de usuario sin restricciones y sin la obligación de notificárselo a los usuarios. En aras de actualizar y mejorar nuestros productos, es posible que el producto que usted haya adquirido sea ligeramente distinto al modelo que se describe en este manual. En tal caso, tiene a su disposición una versión más reciente de este manual en formato electrónico en la página web de Parrot: [www.parrot.com](http://www.parrot.com).

### Copyright

Copyright © 2012 Parrot.

### Marcas registradas

El nombre y el logotipo *Bluetooth*® son marcas registradas de *Bluetooth*® SIG, Inc. y el uso de los mismos por parte de Parrot S.A. se realiza bajo licencia. QDID : B017641 B017642 B019338

App Store es una marca de servicio de Apple Inc.

Android™ es una marca de Google Inc.

Parrot y el logotipo Parrot son marcas registradas de PARROT SA en Francia y en otros países.

ZIK es una marca de Parrot SA.

El resto de marcas citadas en la presente guía están protegidas y son propiedad de sus titulares respectivos.

## Warnhinweis

- Längeres Musikhören bei hoher Lautstärke kann Hörstörungen verursachen. Wir empfehlen, den Kopfhörer nicht bei maximaler Lautstärke zu verwenden, insbesondere über eine lange Dauer hinweg.
- Um eine Schädigung Ihres Hörvermögens zu vermeiden, stellen Sie die Lautstärke Ihrer Musikquelle leise, bevor Sie Ihren Kopfhörer anschließen. Nachdem Sie den Kopfhörer aufgesetzt haben, erhöhen Sie die Lautstärke schrittweise auf einen für Sie angenehmen Pegel. Der Schalldruckpegel wird in Dezibel (dB) gemessen. Ein Schalldruckpegel ab 85 dB kann einen progressiven Hörverlust zur Folge haben. Beachten Sie: Der Hörverlust hängt von der Dauer der Schallintensität ab. Je höher die Lautstärke ist, umso höher ist der Risikofaktor. Je niedriger die Lautstärke ist, umso länger können Sie ohne Bedenken Ihre Musik hören.
- Beweisen Sie Verantwortungsbewusstsein: Achten Sie auf Ihr (akustisches) Umfeld, wenn Sie Ihren Kopfhörer tragen und Musik oder Radio hören.
- Vermeiden Sie jegliche gefährliche Verhaltensweise, welche einen Unfall für Sie oder Mitmenschen (Fußgänger, Motorrad-, Auto- oder Radfahrer) oder Sachschäden verursachen könnten, wenn Sie Ihren Kopfhörer tragen.
- Parrot weist Sie darauf hin, dass die Nutzung eines Stereo-Kopfhörers am Steuer eines Fahrzeugs streng verboten ist. Parrot empfiehlt Ihnen ebenfalls, keine Musik oder Radio über Ihren Kopfhörer zu hören, wenn Sie ein Fahrrad, einen Roller oder sonstige persönliche Fortbewegungsmittel benutzen, für welche das Tragen eines Schutzhelms nicht gesetzlich vorgeschrieben ist. Parrot übernimmt keine Haftung, wenn Sie diese Warnhinweise nicht beachten.

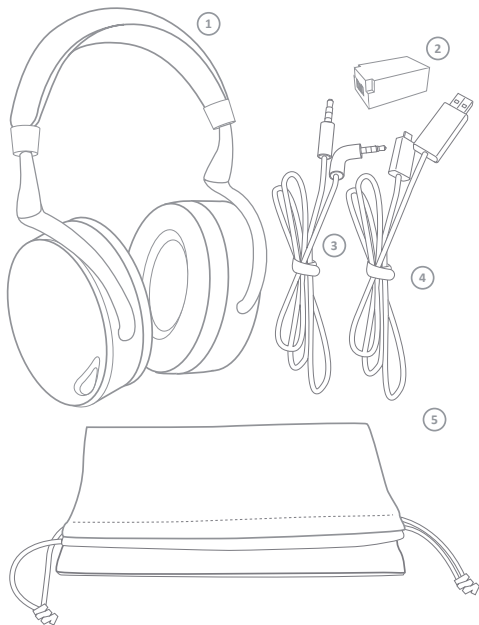
## Inhalt

Erste Verwendung .....	p.46
Musik .....	p.49
Parrot Audio Suite .....	p.51
Telefon .....	p.52
Im Fall von Problemen .....	p.54
Allgemeine Hinweise .....	p.55

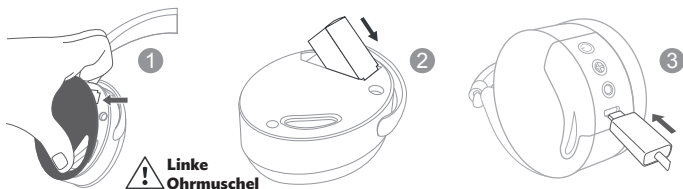
# Erste Verwendung

## Inhalt der Verpackung

- 1 Parrot ZIK
- 2 Batterie
- 3 Klinkenkabel
- 4 USB/Micro-USB-Kabel
- 5 Transporttasche



## Batterie

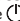


Heben Sie zum Einlegen der Batterie die linke Magnet-Ohrmuschel an und legen Sie die Batterie in das hierfür vorgesehene Fach ein.

Vor dem ersten Gebrauch muss der Parrot ZIK komplett geladen werden. Schließen Sie hierfür Ihren Parrot ZIK über das USB/Micro-USB-Kabel an Ihren PC an. Die LED neben der Micro-USB-Buchse leuchtet rot, um anzuzeigen, dass der Kopfhörer geladen wird. Sobald er voll geladen ist, leuchtet die LED weiß.

Wenn die Batterie leer ist, können Sie den Parrot ZIK weiterhin benutzen, um Musik von Ihrem Audio-Player zu hören, wenn dieser über das Klinkenkabel mit dem Kopfhörer verbunden ist. Allerdings sind dann die Funktionen Telefon und Musikübertragung über *Bluetooth* sowie die Audio-Effekte und das Soft-Touch-Bedienfeld nicht mehr verfügbar.

## Parrot ZIK ein-/ausschalten

Drücken Sie die Taste  um Ihren Kopfhörer ein-/auszuschalten.

Sie können den Parrot ZIK ebenfalls benutzen, ohne ihn einzuschalten, um Musik zu hören, wenn Ihr Audio-Player über das Klinkenkabel mit dem Kopfhörer verbunden ist. Allerdings sind dann die Funktionen Telefon und Musikübertragung über *Bluetooth* sowie die Audio-Effekte und das Soft-Touch-Bedienfeld nicht mehr verfügbar.

## Tragen des Kopfhörers

Stellen Sie den Bügel des Kopfhörers ohne Kraftanwendung so ein, dass die Ohrmuscheln genau über Ihre Ohren passen, und setzen Sie den Kopfhörer unter Beachtung der Buchstaben, die die Ohrmuscheln unterscheiden, auf (L = links, R = rechts). Diese Buchstaben befinden sich auf dem Bügel.

## Anwendung Parrot Audio Suite herunterladen

Melden Sie sich bei App Store<sup>SM</sup> oder Android<sup>TM</sup> Market an und laden Sie die kostenlose Anwendung Parrot Audio Suite herunter.

## Bluetooth®-Verbindung

Bevor Sie den Parrot ZIK mit Ihrem Telefon oder Bluetooth-Audio-Player benutzen können, müssen Sie beide Geräte koppeln. Sobald sich die Geräte gegenseitig erkannt haben, ist dieser Vorgang nicht mehr erforderlich.

1. Starten Sie eine Suche nach Bluetooth-Peripheriegeräten über Ihr Telefon oder Ihren Bluetooth®-Audio-Player.
2. Wählen Sie „Parrot ZIK“.
3. Geben Sie „0000“ auf Ihrem Telefon oder Audio-Player ein, wenn dieser Sie hierzu auffordert. Je nach dem Modell Ihres Telefons wird eventuell auch kein PIN-Code verlangt.

Sobald Ihr Telefon mit dem Parrot ZIK gekoppelt ist, wird die Verbindung zwischen den beiden Geräten automatisch bei jedem Einschalten des Parrot ZIK hergestellt. Es ist nicht möglich, mehrere Geräte gleichzeitig mit dem Parrot ZIK zu verbinden.

*Hinweis: Wenn Ihr Telefon über die Funktion NFC verfügt, können Sie die Kopplung ebenfalls vornehmen, indem Sie die linke Ohrmuschel des Parrot ZIK mit Ihrem Telefon berühren.*



# Musik

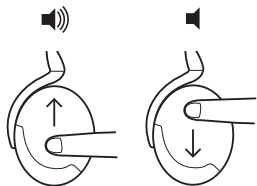
*Hinweis: Das Soft-Touch-Bedienfeld befindet sich auf der rechten Ohrmuschel.*

## Parrot ZIK an die Audioquelle anschließen

Schließen Sie das mitgelieferte Klinkenkabel an die rechte Ohrmuschel des Parrot ZIK und das andere Ende an Ihren Audio-Player an. Wenn Ihr Telefon / Bluetooth-Audio-Player das Profil *Bluetooth A2DP* unterstützt, können Sie Ihre Musik ebenfalls über *Bluetooth* auf Ihren Parrot ZIK übertragen. Schließen Sie hierzu Ihr Gerät an den Audio-Player an und starten Sie das Abspielen eines Stückes.

## Lautstärke

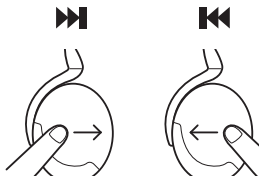
Um die Lautstärke zu erhöhen, streichen Sie mit Ihrem Finger sanft über das Soft-Touch-Bedienfeld nach oben. Um sie zu senken, streichen Sie mit Ihrem Finger sanft über das Soft-Touch-Bedienfeld nach unten.



## Vorwärts / Zurück

Wenn Ihr Audio-Player über *Bluetooth* an den Parrot ZIK angeschlossen ist:

- Um zum letzten Stück zurückzukehren, streichen Sie mit Ihrem Finger sanft über das Soft-Touch-Bedienfeld nach hinten.
- Um zum nächsten Stück zu springen, streichen Sie mit Ihrem Finger sanft über das Soft-Touch-Bedienfeld nach vorne.



### **Pause / Play**

Um Ihre Musik zu unterbrechen, nehmen Sie den Kopfhörer ab. Um die Musik erneut zu starten, setzen Sie ihn wieder auf.



# Parrot Audio Suite

## Aktive Geräuschregelung

Benutzen Sie die Anwendung Parrot Audio Suite, um die aktive Geräuschregelung zu aktivieren / deaktivieren.



## Effekt Parrot Concert Hall

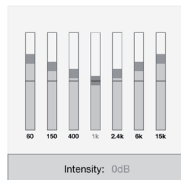
Der Audio-Effekt Parrot Concert Hall ermöglicht es Ihnen, eine Musikbühne zu simulieren. Dieser Effekt ist über die Anwendung Parrot Audio Suite aktivier- und steuerbar.

- Berühren Sie eine der 4 Zonen, um die Abmessungen des virtuellen Saals und die empfundene Klangtiefe auszuwählen.
- Berühren Sie die Pfeile, um die Ausrichtung der Lautsprecher und damit die Klangverbreitung zu justieren.



## Equalizer verwenden

Über den Equalizer können Sie die Klangfrequenzen einstellen. Passen Sie die niedrigen, mittleren und hohen Frequenzen je nach Ihren Vorlieben wie eine Möglichkeit an, indem Sie jeweils den linken und rechten Cursor benutzen. Es stehen verschiedene Voreinstellungen zur Wahl (z. B. Flat, Deep, Rock...), sodass Sie die Frequenzen dem Stil der gehörten Musik anpassen können.



# Telefon

## Einen Anruf entgegennehmen



Ein eingehender Anruf wird durch einen Klingelton gemeldet.

- Wenn Sie das Gespräch entgegennehmen möchten, berühren Sie das Soft-Touch-Bedienfeld.
- Wenn Sie den Anruf ablehnen möchten, drücken Sie 2 Sekunden lang auf das Soft-Touch-Bedienfeld.

*Hinweis: Wenn Sie keinen Kopfhörer tragen oder den Kopfhörer abnehmen, wenn ein Anruf eingeht, wird dieser auf Ihr Telefon umgeleitet.*

## Verwendung während eines Anrufs

Wenn Sie die Lautstärke während eines Gesprächs erhöhen möchten, streichen Sie mit Ihrem Finger sanft über das Soft-Touch-Bedienfeld nach oben. Um die Lautstärke während eines Gesprächs zu senken, streichen Sie mit Ihrem Finger sanft über das Soft-Touch-Bedienfeld nach unten. Die Lautstärke wird für die zukünftigen Anrufe gespeichert.

Um ein laufendes Gespräch auf Ihr Telefon umzuschalten, nehmen Sie den Parrot ZIK ab.

Zum Auflegen drücken Sie auf das Soft-Touch-Bedienfeld.

## Zweiter Anruf

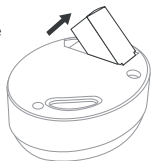
Mit dem Parrot ZIK können Sie zwei Anrufe gleichzeitig verwalten, vorausgesetzt, dass Ihr Telefon über diese Funktion verfügt.

- Drücken sie auf das Soft-Touch-Bedienfeld, um den eingehenden zweiten Anruf entgegenzunehmen. Der erste Anruf wird automatisch gehalten.
- Drücken Sie 2 Sekunden lang auf das Soft-Touch-Bedienfeld, um den eingehenden zweiten Anruf abzulehnen. Sie können diesen Anruf ebenfalls von Ihrem Telefon aus ablehnen.
- Streichen Sie mit Ihrem Finger sanft über das Soft-Touch-Bedienfeld nach vorne oder nach hinten, um von einem Anruf zum Anderen zu schalten.

# Im Fall von Problemen

## Neustart

Wenn ein Problem auftritt, können Sie den Parrot ZIK neu starten, indem Sie die Batterie herausnehmen.



## Aktualisierung

Laden Sie kostenlos die letzte Aktualisierung Ihres Gerätes auf unserer Website [www.parrot.com](http://www.parrot.com), Teilbereich „Unterstützung“, herunter und installieren Sie diese, indem Sie den Parrot ZIK über das mitgelieferte USB-/Micro-USB-Kabel an Ihren Computer anschließen. Diese Aktualisierungen ermöglichen es Ihnen, die Kompatibilität des Produktes zu optimieren.

## Weitere Informationen

Für weitere Informationen, oder um unseren technischen Unterstützungsdienst zu kontaktieren, melden Sie sich auf unserer Website [www.parrot.com](http://www.parrot.com), Teilbereich „Unterstützung“, an.

# Allgemeine Hinweise

## Sicherheitshinweise



Ein längeres Hören in maximaler Lautstärke kann zu Hörschäden führen.

- Gerät nicht zerlegen, öffnen, gegen werfen, quetschen, falten oder verformen, durchstechen oder zerreißen.
- Batterie nicht verändern und nicht versuchen, Fremdkörper in die Batterie einzuführen; Batterie nicht in Wasser oder sonstige Flüssigkeiten tauchen. Batterie nicht Feuer oder übermäßiger Wärme (einschließlich Lötkolben) aussetzen oder in ein Mikrowellengerät legen.
- Batterie nur mit dem vom Hersteller angegebenen Ladesystem verwenden.
- Batterie nicht anhand von Metall- oder elektrisch leitenden Gegenständen kurzschließen oder beide Batterieklemmen gleichzeitig anschließen.
- Ersetzen Sie die Batterie nur durch eine geeignete Batterie desselben Typs mit denselben Merkmalen. Die Verwendung einer nicht entsprechenden Batterie kann zu Brand, Explosion, Entweichen der Batterieflüssigkeit oder sonstigen Gefahren führen.
- Entsorgen Sie die alte Batterie umgehend und unter Berücksichtigung der Anweisungen des Herstellers / Lieferanten.
- Eine zweckwidrige Verwendung der Batterie kann zu Brand, Explosion oder sonstigen Gefahren führen.
- Kinder sind zu überwachen, wenn sie die Batterie benutzen.

## Garantie

Unbeschadet der gesetzlichen Garantie gilt für die Produkte von Parrot eine 1-jährige Garantie ab Kaufdatum für Ersatzteile und Reparaturkosten, sofern am Produkt keine Änderungen vorgenommen werden. Für die Inanspruchnahme der Garantie ist dem Fachhändler ein Kaufnachweis (Kassenzettel) vorzulegen. Die Garantie deckt weder die Aktualisierung der im Lieferumfang der Parrot Produkte enthaltenen Software-programme zu Kompatibilitätszwecken mit *Bluetooth*-Mobiltelefonen, noch die Wiederherstellung von Daten, die Abnutzung aufgrund eines normalen Verschleiß der Produkte, die auf einen durch Unfall oder eine unsachgemäße bzw. nicht autorisierte Verwendung der Produkte oder Produkte eines anderen Herstellers zurückzuführenden Schäden ab. Parrot haftet keinesfalls für die Speicherung, den Verlust oder die Beschädigung von Daten während des Transports oder im Rahmen von Reparaturarbeiten. Jedes Produkt, an dem keine Mängel festzustellen sind, wird an den Absender

zurückgeschickt, wobei die Kosten für Bearbeitung, Prüfung und Transport dem Absender in Rechnung gestellt werden.



#### Korrekte Entsorgung dieses Produkts(Elektromüll)

Die Kennzeichnung auf dem Produkt bzw. auf der dazugehörigen Literatur gibt an, dass es nach seiner Lebensdauer nicht zusammen mit dem normalen Haushaltsmüll entsorgt werden darf. Entsorgen Sie dieses Gerät bitte getrennt von anderen Abfällen, um der Umwelt bzw. der menschlichen Gesundheit nicht durch unkontrollierte Müllbeseitigung zu schaden. Recyceln Sie das Gerät, um die nachhaltige Wiederverwertung von stofflichen Ressourcen zu fördern. Private Nutzer sollten den Händler, bei dem das Produkt gekauft wurde, oder die zuständigen Behörden kontaktieren, um in Erfahrung zu bringen, wie sie das Gerät auf umweltfreundliche Weise recyceln können. Gewerbliche Nutzer sollten sich an Ihren Lieferanten wenden und die Bedingungen des Verkaufsvertrags konsultieren. Dieses Produkt darf nicht zusammen mit anderem Gewerbemüll entsorgt werden.

#### Änderungen

Die in dieser Anleitung enthaltenen Beschreibungen und technischen Kenndaten dienen ausschließlich der Information und können Änderungen ohne vorhergehende Ankündigung unterliegen. Zum Zeitpunkt des Drucks galten die enthaltenen Angaben als zutreffend. Bei der Fassung dieser Anleitung wurde größte Sorgfalt auf deren Inhalt angewendet, damit Ihnen möglichst präzise Informationen bereitgestellt werden können. Parrot haftet jedoch weder für Folgen, die sich aus ggf. in dieser Anleitung enthaltenen Fehlern oder Unterlassungen ergeben, noch für Schäden oder den versehentlichen Verlust von Daten als direkte oder indirekte Folge der Verwendung der enthaltenen Informationen. Parrot behält sich das Recht vor, das Produktdesign oder die Bedienungsanleitung zu ändern bzw. zu verbessern, ohne dass diesbezüglich Beschränkung vorliegen und ohne jede Verpflichtung, die Benutzer hiervon in Kenntnis zu setzen.

Copyright © 2012 Parrot. Alle Rechte vorbehalten.

#### Eingetragene Marken

Der Name und das Logo *Bluetooth®* sind eingetragene Marken von *Bluetooth® SIG, Inc.* Die Verwendung dieser Marken durch Parrot S.A. erfolgt in Lizenz. QDID : B017641 B017642 B019338

App Store ist eine Dienstmarke von Apple Inc.

Android™ ist eine Marke von Google Inc.

Parrot und die Logos sind in Frankreich und in anderen Ländern eingetragene Marken von PARROT SA.

ZIK ist eine Marke von Parrot SA.

Alle anderen in dieser Bedienungsanleitung genannten Marken sind geschützt und Eigentum der jeweiligen Inhaber.



## Avvertenza

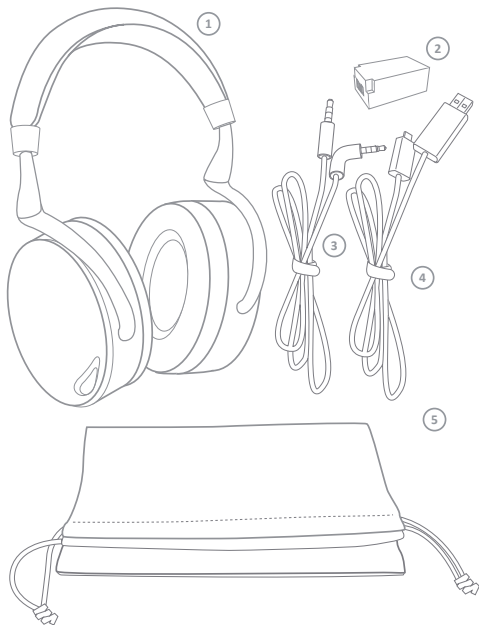
- L'ascolto prolungato di musica ad alto volume può causare disturbi all'udito. Si consiglia di non utilizzare le cuffie al volume massimo, in particolar modo per lunghi intervalli di tempo.
- Per evitare danni all'udito, abbassare il volume del lettore musicale prima di collegare le cuffie. Dopo avere sistemato le cuffie sulle orecchie, aumentare progressivamente il volume fino a raggiungere un livello di ascolto gradevole. I livelli sonori vengono misurati in decibel (dB). L'esposizione a un livello sonoro pari o superiore a 85 dB può causare la perdita progressiva dell'udito. Si raccomanda di utilizzare il prodotto in modo oculato: la perdita dell'udito dipende dall'intensità del suono e dalla sua durata. Quanto più il volume è elevato, tanto minore è la capacità di esposizione dell'utilizzatore. Quanto più il volume è ridotto, tanto maggiore potrà invece essere la durata dell'esposizione.
- Agire in modo responsabile, prestando attenzione all'ambiente (acustico) quando si indossano le cuffie e si ascolta la musica o la radio.
- Mentre s'indossano le cuffie, evitare comportamenti pericolosi che potrebbero causare incidenti a se stessi o ad altri (pedoni, motociclisti, conducenti, ciclisti) o provocare danni agli oggetti.
- Parrot ricorda che l'uso di una cuffia audio stereo è rigorosamente vietato durante la guida di un autoveicolo. Parrot raccomanda inoltre di non ascoltare la musica o la radio con la cuffia mentre si utilizza una bicicletta, un monopattino o qualunque altro mezzo di locomozione per il quale non è obbligatorio indossare un casco di protezione. Parrot declina ogni responsabilità nel caso in cui l'utilizzatore decida di ignorare le presenti avvertenze.

## Indice

Primo utilizzo .....	p.58
Musica .....	p.61
Parrot Audio Suite .....	p.63
Telefono .....	p.64
In caso di problemi .....	p.66
Informazioni di sicurezza .....	p.67

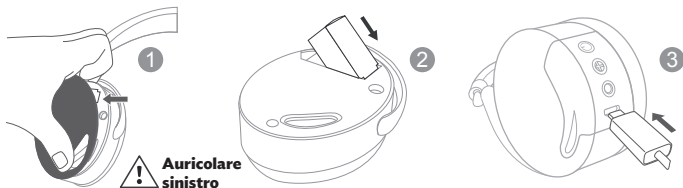
# Primo utilizzo

## Contenuto dell'imballaggio



- 1 Parrot ZIK
- 2 Batteria
- 3 Cavo jack/jack
- 4 Cavo USB/micro-USB
- 5 Astuccio di trasporto

## Batteria




Per installare la batteria, sollevare il guscio magnetico dell'auricolare sinistro (1) e inserirla nell'apposito scomparto (2).

Prima di utilizzarla per la prima volta, le Parrot Zik devono essere caricate completamente. Per consentire tale operazione, collegare le Parrot ZIK al PC utilizzando il cavo USB/micro-USB (3). La spia situata a lato della presa micro-USB si illumina in rosso per indicare che la carica è in corso. Al termine della fase di carica, la spia diventa bianca.

Se la batteria è scarica, è comunque possibile utilizzare le Parrot ZIK per ascoltare la musica se il lettore audio è collegato alle cuffie tramite il cavo jack/jack. Non saranno invece disponibili le funzioni telefono e trasferimento di musica tramite *Bluetooth* né gli effetti audio e il pannello di comando a sfioramento.

## Accensione/spengimento delle Parrot ZIK

Premere l'apposito tasto  per accendere/spengere l'apparecchio.

È possibile utilizzare le cuffie anche senza accenderla. In tal caso, è possibile utilizzare le Parrot ZIK per ascoltare la musica se il lettore audio è collegato alle cuffie tramite il cavo jack/jack. Non saranno invece disponibili le funzioni telefono e trasferimento di musica tramite *Bluetooth* né gli effetti audio e il pannello di comando a sfioramento.

## Come indossare le cuffie

Regolare l'archetto senza forzarlo, in modo tale da sistemare comodamente gli auricolari in corrispondenza delle orecchie, quindi indossare le cuffie aiutandosi con le lettere che distinguono l'auricolare sinistro (L) da quello destro (R). Le lettere sono riportate sugli archetti.

*Nota* : il pannello di comando a sfioramento è situato sull'auricolare destro.

## Download dell'applicazione Parrot Audio Suite

Collegarsi all'App StoreSM o all'AndroidTM Market e scaricare l'applicazione gratuita Parrot Audio Suite.

## Connessione Bluetooth

Prima di utilizzare le Parrot ZIK con un telefono o un lettore audio *Bluetooth*, è necessario abbinare i due apparecchi. Quando i due apparecchi si saranno rilevati a vicenda, non sarà più necessario eseguire questa operazione.

1. Dal telefono o dal lettore audio *Bluetooth*® lanciare una ricerca delle periferiche *Bluetooth*.
2. Selezionare « Parrot ZIK ».
3. Digitare « 0000 » sul telefono o sul lettore audio, se richiesto. A seconda del modello di telefono, è possibile che non venga richiesto alcun codice PIN.

Dopo avere abbinato il telefono alle Parrot ZIK, la connessione tra i due apparecchi avverrà automaticamente ad ogni accensione della Parrot ZIK. Non è possibile collegare più apparecchi contemporaneamente alle Parrot ZIK.

*Nota* : se il telefono possiede la funzione NFC, è possibile effettuare l'abbinamento anche toccando l'auricolare sinistro delle Parrot Zik con il telefono stesso

# Musica

*Nota* : il pannello di comando a sfioramento è situato sull'auricolare destro.

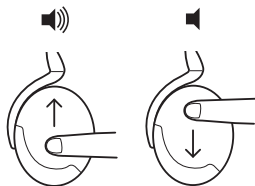
## Collegamento delle Parrot ZIK alla sorgente audio

Collegare il cavo jack/jack fornito in dotazione all'auricolare destro delle Parrot ZIK e collegare l'altra estremità al lettore audio. Se il telefono/lettore audio *Bluetooth* supporta il profilo *Bluetooth* A2DP, è possibile inviare musica alle Parrot ZIK tramite *Bluetooth*. A tale scopo, collegare l'apparecchio al lettore audio e quindi avviare la riproduzione di un brano.

## Volume

Per aumentare il volume sonoro, sfiorare il pannello di comando spostando il dito verso l'alto.

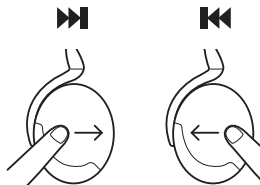
Per diminuire il volume sonoro, sfiorare il pannello spostando il dito verso il basso.



## Next / previous

Se il lettore audio è collegato alle Parrot ZIK tramite *Bluetooth*:

- Per ritornare al brano precedente, sfiorare il pannello di comando spostando il dito all'indietro;
- Per passare al brano successivo, sfiorare il pannello spostando il dito in avanti.



### **Pause / Play**

Per mettere in pausa la musica, togliere le cuffie. Per riavviare la riproduzione, rimettere le cuffie.



# Parrot Audio Suite

## Controllo attivo del rumore

Utilizzare l'applicazione Parrot Audio Suite per attivare/disattivare il controllo attivo del rumore.



## Effetto Parrot Concert Hall

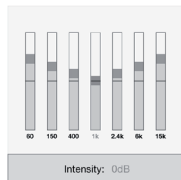
L'effetto Parrot Concert Hall consente di simulare un palcoscenico musicale. Questo effetto può essere attivato e controllato mediante l'applicazione Parrot Audio Suite.

- Toccare una delle quattro zone per selezionare le dimensioni della stanza virtuale e pertanto la profondità del suono percepita.
- Toccare le frecce per regolare l'orientamento degli altoparlanti e quindi l'allargamento del suono.



## Utilizzo dell'equalizzatore

L'equalizzatore consente di regolare le frequenze sonore. Regolare le frequenze basse, medie ed acute secondo le proprie preferenze utilizzando rispettivamente i cursori da sinistra a destra. È possibile scegliere tra le varie preimpostazioni (ad es. Flat, Deep, Rock, ecc.) per adattare le frequenze allo stile di musica che si ascolta.



# Telefono

*Nota* : il pannello di comando a sfioramento è situato sull'auricolare destro.

## Ricevimento di una chiamata



Le chiamate in entrata sono segnalate da una suoneria.

- Per accettare una chiamata in entrata, toccare il pannello di comando a sfioramento.
- Per rifiutare una chiamata in entrata, tenere invece premuto il pannello per 2 secondi.

*Nota* : se al ricevimento di una chiamata non si indossa le cuffie o la si toglie, la chiamata viene trasferita al telefono.

## Utilizzo durante una chiamata

Per aumentare il volume sonoro durante una conversazione, sfiorare il pannello di comando spostando il dito verso l'alto. Per diminuire il volume sonoro durante una conversazione, sfiorare il pannello spostando il dito verso il basso. Il volume viene salvato per le conversazioni successive.

Per trasferire una conversazione in corso sul telefono, togliere le Parrot ZIK.

Per riagganciare, premere il pannello di comando a sfioramento.



## **Doppia chiamata**

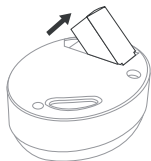
Le Parrot ZIK permettono di gestire due chiamate contemporaneamente, a condizione che il telefono disponga di questa funzione.

- Premere il pannello di comando a sfioramento per accettare la seconda chiamata in entrata. La prima chiamata viene messa automaticamente in attesa.
- Tenere invece premuto per 2 secondi il pannello per rifiutare la seconda chiamata in entrata. La chiamata può essere rifiutata anche dal telefono.
- Sfiore il pannello di comando in avanti o all'indietro per passare da una chiamata all'altra.

# In caso di problemi

## Riavvio

In caso di problemi, è possibile riavviare le Parrot ZIK togliendo la batteria.



## Aggiornamento

Scaricare gratuitamente l'ultimo aggiornamento dell'apparecchio dal sito web [www.parrot.com](http://www.parrot.com), sezione "Supporto", e installarlo collegando le Parrot ZIK al computer mediante il cavo USB/micro-USB fornito in dotazione. Questi aggiornamenti consentiranno di migliorare la compatibilità dell'apparecchio.

## Per ulteriori informazioni...

Per richiedere ulteriori informazioni o contattare il servizio di assistenza tecnica, è possibile consultare il sito [web www.parrot.com](http://www.parrot.com), sezione "Supporto".

# Informazioni generali

## Informazioni di sicurezza



Alla massima potenza, l'ascolto prolungato di questo apparecchio può danneggiare l'udito di chi ne fa uso.

- Non smontare, aprire, gettare contro un ostacolo, schiacciare, piegare, deformare, forare o frantumare l'apparecchio.
- Non modificare la batteria né provare ad inserire oggetti estranei al suo interno né immergere o esporre all'acqua o ad altri liquidi, al fuoco o a calore eccessivo, compreso quello prodotto da un saldatore, né introdurre nel forno a microonde.
- Utilizzare la batteria esclusivamente con il sistema di carica indicato dal produttore.
- Non mettere in cortocircuito la batteria con oggetti metallici o conduttori né collegarne contemporaneamente i due morsetti.
- Sostituire la batteria esclusivamente con un'altra batteria dello stesso tipo e con le medesime caratteristiche. L'utilizzo di una batteria non conforme può generare un rischio di incendio, esplosione o perdita o altri pericoli.
- Smaltire la batteria usata in tempi rapidi seguendo le istruzioni del produttore/fornitore.
- L'utilizzo improprio della batteria può generare un rischio di incendio o esplosione o altri pericoli.
- In caso di utilizzo della batteria da parte di bambini, si raccomanda di sorvegliarli.

## Garanzia

Senza pregiudizio della garanzia legale, i prodotti Parrot sono garantiti, per sostituzione pezzi e mano d'opera, per 1 anno a partire dalla data di acquisto, salvo alterazioni del prodotto, e su presentazione di una prova di acquisto (data e luogo di acquisto, numero di serie del prodotto) al rivenditore. La garanzia non copre gli aggiornamenti dei software inclusi nei prodotti Parrot con i telefoni cellulari *Bluetooth*® ai fini di compatibilità, il recupero di dati, il deterioramento esterno del prodotto dovuto al normale uso del prodotto stesso, i danni causati accidentalmente, da un uso anomalo o non autorizzato del prodotto, un prodotto non Parrot. Parrot non è responsabile della memoria, della perdita o del danneggiamento dei dati durante il trasporto o la riparazione. Parrot non potrà in alcun caso essere ritenuta responsabile per eventuali problemi di funzionamento dovuti ad un'installazione non conforme a quanto indicato nelle istruzioni e/o ad un'installazione non conforme effettuata dall'utente stesso.



#### Corretto smaltimento del prodotto

(rifiuti elettrici ed elettronici) (Applicabile nei Paesi dell'Unione Europea e in quelli con sistema di raccolta differenziata) Il marchio riportato sul prodotto o sulla sua documentazione indica che il prodotto non deve essere smaltito con altri rifiuti domestici al termine del ciclo di vita. Per evitare eventuali danni all'ambiente o alla salute causati dall'inopportuno smaltimento dei rifiuti, si invita l'utente a separare questo prodotto da altri tipi di rifiuti e di riciclarlo in maniera responsabile per favorire il riutilizzo sostenibile delle risorse materiali. Gli utenti domestici sono invitati a contattare il rivenditore presso il quale è stato acquistato il prodotto o l'ufficio locale preposto per tutte le informazioni relative alla raccolta differenziata e al riciclaggio per questo tipo di prodotto. Gli utenti aziendali sono invitati a contattare il proprio fornitore e verificare i termini e le condizioni del contratto di acquisto. Questo prodotto non deve essere smaltito unitamente ad altri rifiuti commerciali.

#### Modifiche

Le spiegazioni e le specifiche riportate nella presente guida sono solo a scopo informativo e possono subire modifiche senza preavviso. Tali informazioni sono da considerarsi corrette al momento della pubblicazione. La presente guida è stata redatta prestando grande attenzione, al fine di fornire ai clienti informazioni precise e attendibili. Tuttavia, Parrot non può essere ritenuta responsabile per eventuali conseguenze derivanti da omissioni o errori nella presente guida, né per eventuali danni o perdite accidentali di dati causati direttamente o indirettamente dall'uso delle informazioni ivi contenute. Parrot si riserva il diritto di modificare/migliorare il prodotto o la guida per l'utente senza limitazione alcuna e senza l'obbligo di notifica agli utenti. Poiché il costante impegno dell'azienda è volto a garantire continui aggiornamenti e miglioramenti, il prodotto acquistato dall'utente potrebbe risultare leggermente diverso dal modello descritto nella presente guida. In tal caso, verificare la disponibilità di una versione aggiornata della guida in formato elettronico nel sito Web di Parrot all'indirizzo [www.parrot.com](http://www.parrot.com).

#### Copyright

Copyright © 2012 Parrot.

#### Marchi depositati

Il nome e il logo **Bluetooth**® sono marchi depositati di **Bluetooth**® SIG, Inc. e il loro utilizzo da parte di Parrot S.A. avviene in condizioni di licenza. QDID : B017641 B017642 B019338

App Store è un marchio di servizio di Apple Inc.

Android™ è un marchio di Google Inc.

Parrot e i loghi Parrot sono marchi registrati di PARROT SA in Francia e in altri paesi.

ZIK è un marchio di Parrot SA.

Tutti gli altri marchi citati in questa guida sono protetti e di proprietà dei rispettivi titolari.

## Waarschuwingen

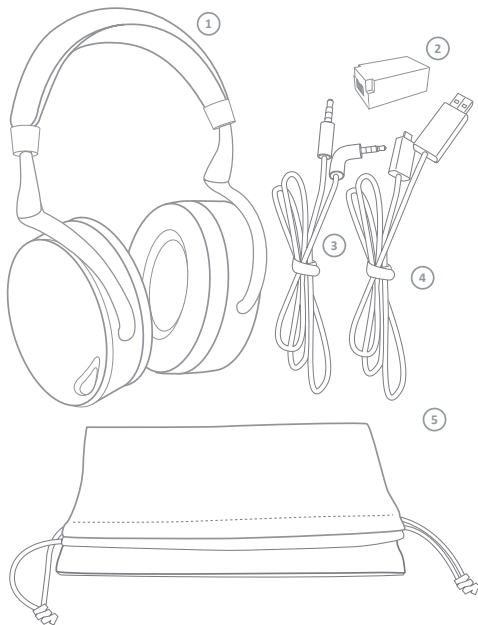
- Langdurig naar harde muziek luisteren kan leiden tot gehoorproblemen. Wij raden aan deze koptelefoon niet op het maximale geluidsvolume te gebruiken, vooral niet gedurende langere tijd.
- Verlaag het volume van uw muzikspeler voordat u de koptelefoon aansluit, om gehoorbeschadiging te voorkomen. Verhoog nadat u de koptelefoon heeft opgezet geleidelijk het volume totdat u een aangenaam luisterniveau bereikt. Geluidsniveaus worden gemeten in decibel (dB). Blootstelling aan een geluidsniveau van 85 dB of hoger kan leiden tot voortschrijdend gehoorverlies. Wees voorzichtig met het gebruik van de koptelefoon: gehoorverlies is afhankelijk van de geluidsintensiteit en de blootstellingsduur. Hoe hoger het geluidsvolume, hoe korter u het kunt verdragen. Hoe lager het geluidsvolume, hoe langer u het kunt verdragen.
- Wees verantwoordelijk: let op uw (akoestische) omgeving wanneer u de koptelefoon draagt en muziek of de radio beluistert.
- Vermijd gevaarlijk gedrag dat een ongeval zou kunnen veroorzaken waarvan uzelf of iemand anders (voetganger, motorrijder, bestuurder, fietser) slachtoffer zou kunnen worden of dat schade aan goederen zou kunnen veroorzaken wanneer u de koptelefoon draagt.
- Parrot deelt u mee dat het dragen van een koptelefoon streng verboden is wanneer u een auto bestuurt. Parrot onttraadt u tevens muziek of de radio met de koptelefoon te beluisteren wanneer u een fiets, step of enig ander vervoermiddel gebruikt waarvoor het dragen van een helm niet verplicht is. Parrot wijst elke verantwoordelijkheid af als u deze waarschuwingen niet in acht neemt.

## Inhoudsopgave

Ingebruikname .....	p.70
Muziek .....	p.73
Parrot Audio Suite .....	p.75
Telefoon .....	p.76
Bij problemen .....	p.78
Algemene informatie .....	p.79

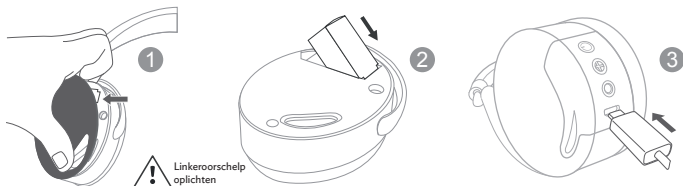
# Ingebruikname

## Inhoud van de verpakking



- 1 Parrot ZIK
- 2 Accu
- 3 Snoer / jackplug
- 4 USB / micro-USB kabel
- 5 Etui

## Accu




De magnetische dop van de linkeroorschelp oplichten (1) en de accu in de accuimte plaatsen (2).

Voordat u de Parrot ZIK gaat gebruiken dient de accu geheel te worden opgeladen. Sluit de Parrot ZIK hiervoor aan op uw pc via de USB / micro-USB kabel (3). Het lampje naast de micro-USB-aansluiting brandt rood om aan te geven dat het bezig is met laden. Wanneer het volledig is opgeladen brandt het lampje wit.

Wanneer de accu leeg is, kunt u de Parrot ZIK toch gebruiken om naar uw muziek te luisteren als de koptelefoon met de jackplug is aangesloten op het audioapparaat. Echter, de functies telefoon en muziekoverdracht via *Bluetooth*, de geluidseffecten en het touch panel zijn dan niet langer beschikbaar.

## De Parrot ZIK aan- en uitzetten

Druk op de knop  om het product aan of uit te zetten.

U kunt de koptelefoon ook gebruiken zonder hem aan te zetten. In dit geval kunt u de Parrot ZIK gebruiken om naar uw muziek te luisteren als uw audioapparaat met de jackplug is aangesloten op de koptelefoon. Echter, de functies telefoon en muziekoverdracht via *Bluetooth*, de geluidseffecten en het touch panel zijn dan niet langer beschikbaar.

## De koptelefoon dragen

Stel de hoofdband zonder te forceren in om de oorschelpen zo goed mogelijk aan uw oren aan te passen, en zet de koptelefoon op waarbij u let op de markeringen die de linkeroorschelp (L) en rechterschelp (R) aangeven. Deze letters worden aangegeven op de hoofdband.

## De Parrot Audio Suite downloaden

Log in op de App Store<sup>SM</sup> of op de Android<sup>TM</sup> Market en download de gratis Parrot Audio Suite applicatie.

## Bluetooth verbinding

Voordat u de Parrot ZIK met uw telefoon of *Bluetooth* geluidsapparaat gebruikt, moet u de twee apparaten met elkaar koppelen. Wanneer de twee apparaten elkaar eenmaal wederzijds hebben gedetecteerd, hoeft u deze handeling voortaan niet meer uit te voeren.

1. Start het zoeken van *Bluetooth*<sup>®</sup> randapparatuur vanaf uw mobiele telefoon of *Bluetooth* geluidsapparatuur.
2. Selecteer 'Parrot ZIK'.
3. Toets '0000' in op uw telefoon of geluidsapparatuur indien hier naar wordt gevraagd. Afhankelijk van het model van uw telefoon, zal wel of niet naar uw PIN-code worden gevraagd.

Wanneer uw telefoon eenmaal met de Parrot ZIK is gekoppeld, zullen de 2 apparaten automatisch worden verbonden wanneer u de Parrot ZIK aanzet. Het is niet mogelijk meerdere apparaten tegelijk met de ZIK Parrot te verbinden.

*Opmerking: Als uw telefoon beschikt over NFC-ondersteuning, kunt u de koppeling bewerkstelligen door de linkeroerschelp van de Parrot ZIK met uw telefoon aan te raken.*



# Muziek

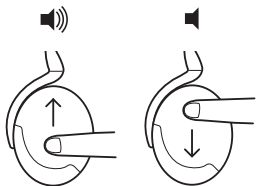
*Opmerking: Het touch panel bevindt zich op de linkeroorschelp.*

## **Opmerking: Het touch panel bevindt zich op de linkeroorschelp.**

Sluit het snoer/de jackplug aan op de rechteroorschelp van de Parrot ZIK en het andere uiteinde op het geluidsapparaat. Als uw telefoon / Bluetooth geluidsapparaat het Bluetooth A2DP profiel ondersteunt, kunt u tevens muziek via Bluetooth naar uw Parrot ZIK sturen. Hiervoor sluit u uw koptelefoon aan op het geluidsapparaat en speelt u een song af.

## **Volume**

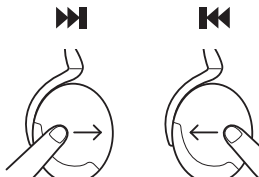
Ga met uw vinger van beneden naar boven over het touch panel om het geluid harder te zetten. Ga met uw vinger van boven naar beneden over het touch panel om het geluid zachter te zetten.



## **Next / previous**

Als uw audioapparaat is verbonden met de Parrot ZIK via Bluetooth:

- Haal uw vinger naar achteren over het touch panel om terug te keren naar de vorige song.
- Haal uw vinger naar voren over het touch panel om naar de volgende song te gaan.



### Pause / Play

Zet de koptelefoon af om uw muziek in de stand-by modus te zetten. Zet de koptelefoon weer op om het afspelen voort te zetten.



# Parrot Audio Suite

## Actieve geluidscontrole

Gebruik de Parrot Audio Suite applicatie om de actieve geluidscontrole te activeren / deactiveren.



## Parrot Concert Hall effect

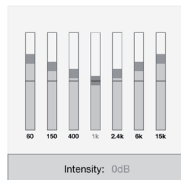
Met het Parrot Concert Hall effect krijgt u de indruk een concert bij te wonen. Dit effect kan via de Parrot Audio Suite applicatie worden geactiveerd en gecontroleerd.

- Raak één van de 4 zones aan om de grootte van de virtuele concertzaal en aldus de diepte van het geluid te selecteren.
- Raak de pijlen aan om de richting van de speakers in te stellen en aldus het geluid uit te breiden.



## De equalizer gebruiken

Met de equalizer kunt u de geluidsfrequenties instellen. Stel de lage, mid-den- en hoge frequentie naar wens in door de regelaars van links naar rechts te schuiven. U kunt kiezen uit verschillende voorinstellingen (bijv. Flat, Deep, Rock...) om de frequenties aan de muziekstijl aan te passen.



# Telefoon

## Een oproep ontvangen



Een binnenkomende oproep wordt met een signaal aangegeven.

- Raak het touch panel aan als u de oproep wilt beantwoorden.
- Druk 2 seconden lang op het touch panel als u de oproep niet wilt beantwoorden.

*Opmerking: Als u de koptelefoon niet draagt of als u de koptelefoon afzet op het moment dat de oproep binnenkomt, wordt de oproep doorgeschakeld naar uw telefoon.*

## Gebruik tijdens een oproep

Ga met uw vinger van beneden naar boven over het touch panel om het geluid tijdens het gesprek harder te zetten. Ga met uw vinger van boven naar beneden over het touch panel om het geluid tijdens het gesprek zachter te zetten. Het volume wordt opgeslagen voor de volgende gesprekken.

Zet de Parrot ZIK af om een lopend gesprek door te schakelen naar uw telefoon.

Druk op het touch panel om een gesprek te beëindigen.

## **Dubbele oproep**

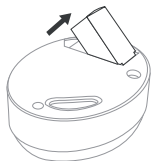
Met de Parrok ZIK kunt u gelijktijdig twee oproepen beheren, op voorwaarde dat uw telefoon over deze functie beschikt.

- Druk op het touch panel om de tweede binnenkomende oproep te accepteren. De eerste oproep wordt automatisch in wachtstand gezet.
- Druk 2 seconden lang op het touch panel om de tweede binnenkomende oproep te weigeren. U kunt deze oproep ook vanaf uw telefoon weigeren.
- Ga met uw vinger naar voren of naar achteren over het touch panel om van de ene oproep naar de andere te gaan.

# Bij problemen

## Opnieuw starten

Bij problemen kunt u de Parrot ZIK opnieuw starten door de accu te verwijderen.



## Update

Download de laatste update van uw product gratis op onze website [www.parrot.com](http://www.parrot.com) onder de rubriek 'Support', en installeer de update door de Parrot ZIK op uw computer aan te sluiten via de bijgeleverde USB / micro-USB kabel. Met deze updates kunt u de compatibiliteit van het product verbeteren.

## Voor meer informatie

Voor meer informatie of om contact op te nemen met onze technische ondersteuning, kunt u terecht op onze website [www.parrot.com](http://www.parrot.com) onder de rubriek 'Support'.

# Algemene informatie

## Veiligheidsinformatie



Als koptelefoons met een hoog volume worden gebruikt, kan permanente schade aan het gehoor optreden.

- Niet demonteren, openen, tegen iets aangooien, platdrukken, buigen of vervormen, doorboren of verbrijzelen.
- De accu niet wijzigen, er geen vreemde lichamen in plaatsen, in water of andere vloeistof onderdompelen of blootstellen, aan vuur of uitzonderlijke hitte blootstellen, inclusief soldeerbouten, of in een magnetron plaatsen.
- De accu uitsluitend gebruiken met de door de fabrikant aanbevolen oplader.
- De batterij niet met metalen voorwerpen of geleiders kortsluiten, de twee aansluitklemmen van de accu niet gelijktijdig aansluiten.
- Vervang de accu uitsluitend door een andere accu van hetzelfde type en met dezelfde kenmerken. Gebruik van een niet in overeenstemming zijnde accu kan risico op brand, explosie, lekken of andere gevaren opleveren.
- Voer gebruikte accu's snel volgens de aanwijzingen van de fabrikant / leverancier af.
- Onjuist gebruik van de accu kan risico op brand, explosie of andere gevaren opleveren.
- Gebruik van de accu door kinderen dient onder toezicht te geschieden.

## Garantie

Op de Parrot producten rust gedurende 1 jaar vanaf de aankoopdatum garantie op onderdelen en arbeidsloon, behoudens aan het product aangebrachte veranderingen, tegen overlegging van de koopbon (met datum en plaats van aankoop en serienummer van het product) aan de leverancier. De garantie heeft geen betrekking op het voor doeleinden van compatibiliteit met de mobiele Bluetooth® telefoons updaten van de in de Parrot producten inbegrepen software, het terughalen van gegevens, de uitwendige verslechtering van het product tengevolge van normaal gebruik van het product, per ongeluk veroorzaakte schade, abnormaal of ongeoorloofd gebruik van het product, een niet-Parrot product. Parrot is niet aansprakelijk voor de opslag, het verlies of de beschadiging van gegevens tijdens het transport of de reparatie. Ieder product dat niet defect blijkt te zijn zal aan de afzender worden geretourneerd en de kosten voor behandeling, verificatie en transport zullen hem in rekening worden gebracht. Wegens het technisch karakter van dit product raden wij u aan de installatie te laten verrichten door uw garagehouder. Parrot is in geen geval aansprakelijk voor een

verkeerde werking veroorzaakt door een installatie die niet overeenkomt met de in de gebruiksaanwijzing gegeven aanwijzingen en/of een door uzelf uitgevoerde niet-conforme installatie.



#### Afgedankte elektrische en elektronische apparatuur (WEEE)

In overeenstemming met de Europese richtlijn 2002/96/EG betreffende afgedankte elektrische en elektronische apparatuur (AEEA) geeft de vermelding van het hierboven vermelde symbool op het product of de verpakking aan dat dit artikel niet in de normale, niet-gesorteerde stedelijke afvalstroom mag worden verwerkt. In plaats daarvan ligt de verantwoordelijkheid van de afvoer van dit product bij de gebruiker, die het dient aan te bieden bij een inzamelpunt voor de recyclage van afgedankte elektrische en elektronische apparatuur. De gescheiden inzameling van dit afval helpt de eventuele te recupereren materialen terug te winnen of te recyclen en vermindert de impact ervan op het milieu en de gezondheid van de mens. Voor meer informatie betreffende de juiste afvoermethode.

#### Wijzigingen

De in deze handleiding gegeven uitleg en technische gegevens dienen uitsluitend ter informatie en kunnen zonder voorafgaande kennisgeving worden gewijzigd. Deze gegevens worden geacht correct te zijn op het moment van het ter perse gaan van deze handleiding. Aan het opstellen van deze handleiding is de uiterste zorg besteed in het kader van ons streven u accurate informatie te verschaffen. Parrot zal echter niet aansprakelijk gesteld kunnen worden voor de gevolgen die voortvloeien uit vergissingen of weglatingen in deze handleiding, evenmin als voor enige beschadiging of accidenteel verlies van gegevens die direct of indirect voortkomen uit het gebruik van de in deze handleiding vervatte informatie. Parrot behoudt zich het recht voor het productontwerp of de gebruikershandleiding te wijzigen of verbeteren zonder enige beperkingen en zonder de verplichting de gebruikers hiervan op de hoogte te stellen. In het kader van ons voortdurende streven om onze producten uit te breiden en te verbeteren, kan het door u gekochte product enigszins verschillen van het in deze handleiding beschreven model. In dit geval is mogelijk een recentere versie van deze handleiding in elektronische vorm beschikbaar op de Parrot website: [www.parrot.com](http://www.parrot.com).

#### Copyright

Copyright © 2012 Parrot.

#### Gedeponeerde handelsmerken

De naam en het logo *Bluetooth*® zijn gedeponeerde handelsmerken van *Bluetooth*® SIG, Inc. en gebruik van deze laatstedeoer Parrot S.A. geschiedt onder licentie. QDID : B017641 B017642 B019338

App Store is een dienstmerk van Apple Inc.

Android™ is een merk van Google Inc.

Parrot en de Parrot logo's zijn ingeschreven merken van PARROT SA in Frankrijk en andere landen.

ZIK is een merk van Parrot SA.



Alle andere merken die in deze handleiding worden vermeld zijn beschermd en eigendom van hun respectievelijke eigenaars.



## Advertências

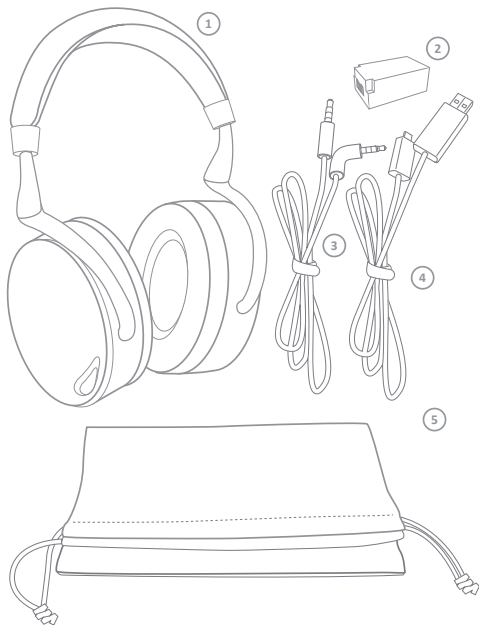
- A escuta prolongada de música com um volume elevado pode causar problemas auditivos. Aconselhamos a não utilizar estes auscultadores com o volume no máximo, especialmente durante longos períodos.
- Para evitar lesões auditivas, baixe o volume do seu leitor de música antes de ligar os auscultadores. Após ter colocado os auscultadores nos ouvidos, aumente progressivamente o volume até atingir um nível de escuta agradável. Os níveis sonoros são medidos em decibéis (dB). Qualquer exposição sonora igual ou superior a 85 dB pode dar origem à perda progressiva de audição. Supervisione a sua utilização. A perda de audição depende da intensidade do som ao longo do tempo. Quanto mais elevado for o volume, menor será a sua capacidade de exposição. Quanto mais fraco for o volume, maior poderá ser a duração da sua exposição.
- Seja responsável: Preste atenção ao ambiente (acústico) que o rodeia quando utilizar os auscultadores e quando ouvir música ou rádio.
- Evite qualquer comportamento perigoso que possa causar um acidente a si ou a outra pessoa (peão, motard, condutor, ciclista), ou dar origem a danos a bens, quando utilizar os seus auscultadores.
- A Parrot informa-o que a utilização de auscultadores de áudio estéreo é completamente proibida durante a condução de um veículo automóvel. A Parrot recomenda também que não ouça música ou rádio com os auscultadores quando andar de bicicleta, trotineta ou qualquer outro meio de locomoção em que a utilização de um capacete não seja obrigatória. A Parrot recusa qualquer responsabilidade caso escolha ignorar esta advertência.
- 

## Índice

Primeira utilização .....	p.84
Música .....	p.87
Parrot Audio Suite .....	p.89
Telemóvel .....	p.90
No caso de problemas .....	p.92
Informação geral .....	p.93

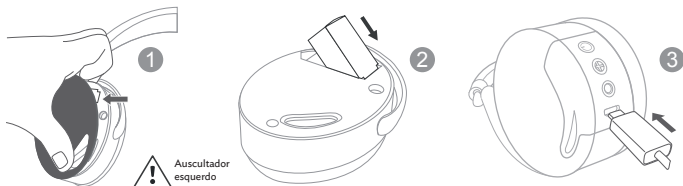
# Primeira utilização

## Conteúdo da embalagem



- 1 Parrot ZIK
- 2 Bateria
- 3 Cabo jack/jack
- 4 Cabo USB/Micro-USB
- 5 Bolsa de transporte

## Bateria



Para instalar a bateria, levante a estrutura magnética do auscultador esquerdo (1) e insira a bateria no respectivo compartimento (2).

Antes da primeira utilização, o Parrot ZIK deve ser carregado por completo. Para isso, ligue o Parrot ZIK ao seu PC, utilizando o cabo USB / micro-USB (3). O indicador luminoso que se encontra ao lado da entrada micro-USB acende a vermelho para indicar que o carregamento está a ser efectuado. Quando o carregamento terminar, o indicador luminoso fica branco.

Quando a bateria estiver gasta, pode utilizar sempre o Parrot ZIK para escutar a sua música se o seu leitor de áudio estiver ligado aos auscultadores através do cabo jack/jack. No entanto, as funções de telefone e transferência de música por *Bluetooth*, os efeitos de áudio e o painel de comandos táctil deixam de estar disponíveis.

## Ligar / desligar o Parrot ZIK

Prima o botão  para ligar/desligar o produto.

Também pode utilizar os auscultadores sem ligar. Nesse caso, pode utilizar o Parrot ZIK para escutar a sua música se o seu leitor de áudio estiver ligado aos auscultadores através do cabo jack/jack. No entanto, as funções de telefone e transferência de música por *Bluetooth*, os efeitos de áudio e o painel de comandos táctil deixam de estar disponíveis.

## Utilização dos auscultadores

Ajuste o fixador para a cabeça sem forçar, de modo a que os auscultadores fiquem bem adaptados às suas orelhas, depois coloque os auscultadores, utilizando as letras que diferenciam o auscultador esquerdo (L) do direito (R). Estas letras encontram-se no fixador para a cabeça.

## Descarregar a aplicação Parrot Audio Suite

Aceda à App StoreSM ou ao AndroidTM Market e descarregue a aplicação gratuita Parrot Audio Suite.

## Ligação por Bluetooth

Antes de utilizar o Parrot ZIK com o seu telemóvel ou leitor de áudio *Bluetooth*, deve emparelhar os dois aparelhos. Quando os dois aparelhos se tiverem detectado mutuamente, já não será necessário proceder a esta operação.

1. A partir do seu telemóvel ou leitor de áudio *Bluetooth*<sup>®</sup>, inicie uma pesquisa de periféricos *Bluetooth*.
2. Seleccione «Parrot ZIK».
3. Insira “0000” no seu telemóvel ou leitor de áudio, caso este o peça. De acordo com o modelo do seu telemóvel, é possível que nenhum código PIN seja pedido.

Quando o seu telemóvel estiver emparelhado ao Parrot ZIK, a ligação entre os 2 aparelhos será automática cada vez que ligar o Parrot ZIK. Não é possível ligar em simultâneo vários aparelhos ao Parrot ZIK.

*Nota: Se o seu telemóvel tiver a função NFC, pode também efectuar o emparelhamento, tocando no auscultador esquerdo do Parrot ZIK com o seu telemóvel.*

# Música

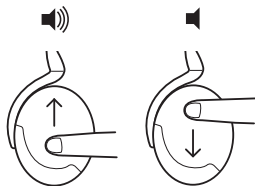
*Nota: O painel de comandos táctil encontra-se no auscultador direito.*

## Ligar o Parrot ZIK à fonte de áudio

Ligue o cabo jack/jack fornecido ao auscultador direito do Parrot ZIK, e ligue a outra extremidade ao seu leitor de áudio. Se o seu telemóvel / leitor de áudio *Bluetooth* suportar o perfil *Bluetooth* A2DP, também pode enviar música por *Bluetooth* para o seu Parrot ZIK. Para isso, ligue o seu aparelho ao leitor de áudio, depois inicie a reprodução de uma faixa.

## Volume

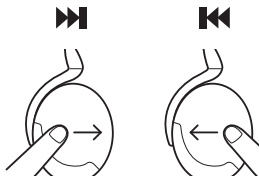
Para aumentar o volume do som, passe o dedo no painel de comandos táctil para cima. Para diminuir o volume do som, passe o dedo no painel de comandos táctil para baixo.



## Seguinte / anterior

Se o seu leitor de áudio estiver ligado ao Parrot ZIK por *Bluetooth*:

- Para voltar à faixa anterior, passe o dedo no painel de comandos táctil para trás.
- Para ir para a faixa seguinte, passe o dedo no painel de comandos táctil para a frente.



## **Pausa / Reprodução**

Para colocar a sua música em Pausa, retire os auscultadores. Para continuar a reprodução, volte a colocar os auscultadores.





# Parrot Audio Suite

## Controlo activo do ruído

Utilize a aplicação Parrot Audio Suite para activar / desactivar o controlo activo do ruído.



## Efeito de áudio Parrot Concert Hall

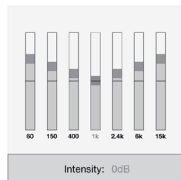
O efeito de áudio Parrot Concert Hall permite-lhe simular uma cena musical. Este efeito pode ser activado e controlado através da aplicação Parrot Audio Suite.

- Toque numa das 4 zonas para seleccionar as dimensões da divisão virtual e assim a profundidade sentida do som.
- Toque nas setas para regular a orientação dos altifalantes e assim do alargamento do som.



## Utilizar o equalizador

O equalizador permite-lhe regular as frequências sonoras. Regule as frequências baixas, médias e agudos de acordo com as suas preferências, utilizando respectivamente os cursores da esquerda para a direita. Pode escolher entre as diferentes predefinições (ex: Flat, Deep, Rock...) para adaptar as frequências ao estilo de música que escutar.



# Telemóvel

## Receber uma chamada



Quando receber uma chamada, ouvirá um toque.

- Se desejar aceitar esta chamada, toque no painel de comandos táctil.
- Se desejar recusar esta chamada, prima o painel de comandos táctil durante 2 segundos.

*Nota: Se não utilizar os auscultadores ou retirar os auscultadores no momento em que recebe uma chamada, a chamada é transferida para o seu telemóvel.*

## Utilização durante uma chamada

Para aumentar o volume do som durante uma chamada, passe o dedo no painel de comandos táctil para cima. Para diminuir o volume do som durante uma chamada, passe o dedo no painel de comandos táctil para baixo. O volume é guardado para as comunicações seguintes.

Para transferir uma chamada em curso para o seu telemóvel, retire o Parrot ZIK.

Para desligar a chamada, prima o painel de comandos táctil.

## Chamada dupla

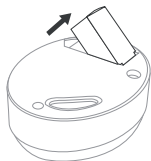
O Parrot ZIK permite-lhe gerir duas chamadas em simultâneo, desde que o seu telemóvel disponha desta funcionalidade.

- Prima o painel de comandos táctil para aceitar a segunda chamada recebida. A primeira chamada é automaticamente colocada em espera.
- Prima durante 2 segundos o painel de comandos táctil para recusar a segunda chamada recebida. Pode igualmente recusar esta chamada a partir do seu telemóvel.
- Passe o dedo no painel de comandos táctil para a frente ou para trás para alternar entre chamadas.

# No caso de problemas

## Reiniciar

No caso de problemas, pode reiniciar o Parrot ZIK, retirando a sua bateria.



## Actualização

Descarregue gratuitamente a última actualização do seu produto no nosso website [www.parrot.com](http://www.parrot.com), na secção «Suporte», e instale a actualização, ligando o Parrot ZIK ao seu computador através do cabo USB / micro-USB fornecido. Estas actualizações permitem-lhe melhorar a compatibilidade do produto.

## Para obter mais informações

Para mais informações, ou para contactar a nossa assistência técnica, acesse ao nosso website [www.parrot.com](http://www.parrot.com), secção «Suporte».

# Algemene informatie

## Informações de segurança



Com a potência máxima, a escuta prolongada pode causar lesões auditivas ao utilizador.

- Não desmonte, abra, atire contra um obstáculo, pise, dobre ou deforme, fure ou corte.
- Não modifique a bateria, não tente inserir objectos estranhos na bateria, não a coloque nem a exponha à água ou a outros líquidos, não a exponha ao fogo ou calor excessivo, incluindo ferros de soldar, nem a coloque dentro de um microondas.
- Utilize a bateria apenas com o sistema de carregamento especificado pelo fabricante.
- Não coloque a bateria em curto-circuito com objectos metálicos ou condutores, nem ligue os dois terminais da bateria em simultâneo.
- Substitua a bateria apenas por uma bateria do mesmo tipo e com as mesmas características. A utilização de uma bateria que não esteja em conformidade pode constituir um risco de incêndio, explosão, derrames ou outros perigos.
- Elimine rapidamente a bateria usada, de acordo com as instruções do fabricante/fornecedor.
- A utilização inadequada da bateria pode dar origem a um risco de incêndio, explosão ou outros perigos.
- Durante a utilização da bateria por crianças, estas devem ser supervisionadas.

## Garantia

Os produtos Parrot, peças e mão-de-obra, têm garantia de 1 ano a contar da data de aquisição, salvo alteração do produto e mediante a apresentação da prova de compra (data e local de compra, n.º de série do produto) ao revendedor. A garantia não cobre a actualização dos softwares incluídos nos produtos Parrot com telemóveis *Bluetooth*® com vista a torná-los compatíveis, a recuperação de dados, a deterioração exterior do produto causada pelo seu uso normal, qualquer dano resultante de acidentes, uma utilização anormal ou não conforme do produto, um produto que não seja Parrot. A Parrot não é responsável pela armazenagem, perda ou dano de dados durante o transporte ou reparação. Todos os produtos considerados sem defeito serão remetidos ao expeditor e os custos de tratamento, de verificação e transporte ser-lhe-ão imputados. Devido à especificidade técnica deste produto, recomendamos que a sua instalação seja feita pelo seu mecânico. Em nenhum caso a Parrot será responsável por qualquer dano causado por uma instalação que não esteja em conformidade com as instruções constantes no folheto informativo e/ou uma instalação incorrecta efectuada pelo cliente.

### Eliminação correta deste produto



(Resíduos de Equipamentos Elétricos e Eletrônicos) Esta marca, apresentada no produto ou no seu manual indica que ele não deverá ser eliminado juntamente com os resíduos domésticos comuns no final do seu período de vida útil. Para impedir danos ao ambiente e à saúde humana causados pela eliminação incontrolada de resíduos, este equipamento deverá ser separado de outros tipos de resíduos e reciclado de forma responsável, para promover uma reutilização sustentável dos recursos materiais. Informações relativas à bateria e ao carregador Precauções de segurança Carregamento: Utilize apenas o carregador para isqueiro fornecido. Nunca utilize um carregador danificado. Carregue o produto antes de guardá-lo durante um longo período de tempo. Temperatura: Não deixe o seu aparelho em locais quentes ou frios (automóvel em dias de muito calor ou estacionado numa garagem durante o Inverno). Tente manter sempre a temperatura ambiente. O carregador e o produto podem aquecer durante o carregamento. Não os cubra. Protecção contra a água e humidade: Não utilize o seu aparelho à chuva, nem perto de qualquer local húmido. Fuga: Não desmonte o aparelho. No caso de uma fuga da bateria, impeça o líquido de entrar em contacto com a sua pele ou olhos. Se isso acontecer, passe imediatamente as zonas afectadas com água abundante e contacte um médico.

### Modificações

As explicações e especificações presentes neste manual são meras informações concedidas, podendo ser modificadas sem aviso prévio. Poderão ainda ser sujeitas a correcções aquando da sua impressão. Este manual foi redigido com bastante atenção, visando o fornecimento de informação o mais precisa possível. No entanto, a Parrot não será responsável por consequências resultantes de erros ou omissões no presente manual, nem por danos ou perdas acidentais resultante directa ou indirectamente da utilização da informação aqui constante. A Parrot reserva-se o direito de alterar ou aperfeiçoar o design do produto ou o manual de utilização sem quaisquer restrições e sem qualquer obrigação de notificar o utilizador. Como parte da nossa preocupação contínua em actualizar e aperfeiçoar os nossos produtos, o produto que adquiriu pode ser ligeiramente diferente do modelo descrito no presente manual. Se for o caso, poderá existir uma versão mais recente do presente manual em formato electrónico no sítio da Internet da Parrot, em [www.parrot.com](http://www.parrot.com).

### Copyright

Copyright © 2012 Parrot.

### Marcas registadas

O nome e o logótipo *Bluetooth*<sup>®</sup> são marcas registadas da *Bluetooth*<sup>®</sup> SIG, Inc. e qualquer utilização destas pela Parrot S.A. é feita sob licença. QDID : B017641 B017642 B019338

App Store is een dienstmerk van Apple Inc.

Android<sup>™</sup> is een merk van Google Inc.

Parrot en de Parrot logo's zijn ingeschreven merken van PARROT SA in Frankrijk en andere landen.

ZIK is een merk van Parrot SA.

Alle andere merken die in deze handleiding worden vermeld zijn beschermd en eigendom van hun respectievelijke eigenaars.





# طريقة الاستعمال

Parrot  
Zik

## تنبيهات لتشغيل الجهاز

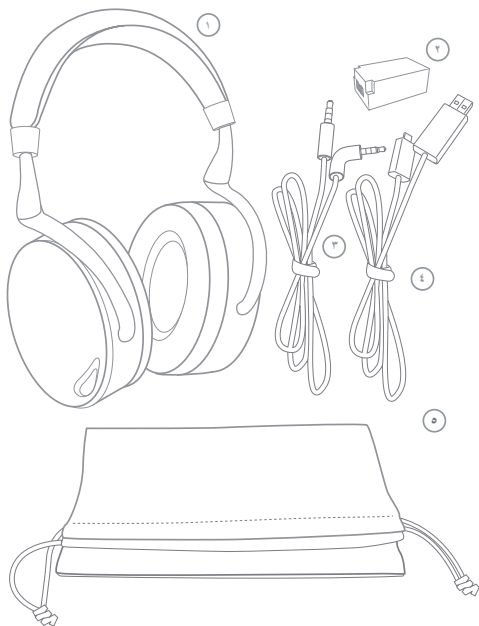
- يؤدي الاستماع إلى الموسيقى بصوت مرتفع لأوقات طويلة إلى حدوث اضطرابات سمعية. يُنصح بعدم استخدام السماعات بصوت مرتفع، خاصة لفترات طويلة.
- الرجاء خفض مستوى صوت مشغّل الموسيقى قبل توصيل السماعات لتجنب تلف السمع. ارفعوا مستوى الصوت تدريجيًا حتى الوصول للمستوى المناسب وذلك بعد وضع السماعات على الأذن. تقاس مستويات الصوت بالديسيبل. ومن ثمّ يؤدي التعرض لصوت يعادل أو يفوق ٨٥ ديسيبل إلى الفقد التدريجي للسمع. راقبوا إذن استخدامكم، ففقدان السمع يتوقف على شدة الصوت ومدة التعرض له. فكلما ارتفع الصوت، قلت قدرتكم على التعرض للصوت. وكلما انخفض الصوت، زادت قدرتكم على التعرض للصوت.
- كونوا على قدر المسؤولية: اهتموا ببيئتكم السمعية عند وضع السماعات والاستماع للموسيقى أو الراديو.
- تجنبوا كل تصرف خطير قد يتسبب في حادث يؤذيكم أو يؤذي غيركم (المشاة وقائدي الموتوسيكلات، والسيارات والدراجات) أو يسبب أضرارًا للممتلكات وذلك عند وضعكم للسماعات.
- تود شركة Parrot لفت انتباهكم إلى أن استخدام سماعات الاستريو ممنوع منعًا باتًا خلال قيادة السيارات. كما توصيكم الشركة أيضًا بعدم الاستماع إلى الموسيقى أو الراديو من خلال السماعات عند قيادة الدراجة أو عند استخدام دراجة سكوتر أو أية وسيلة انتقال لا يكون ارتداء الخوذة إلزاميًا خلال قيادتها. وفي حالة تجاهل هذه التحذيرات، لا تتحمل شركة Parrot أية مسؤولية.

## مُلخَص

الاستخدام الأول .....	ص 98
الموسيقى .....	ص 101
تطبيق Parrot Audio Suite .....	ص 103
التليفون .....	ص 104
في حالة حدوث مشكلة .....	ص 106
المعلومات العامة .....	ص 107

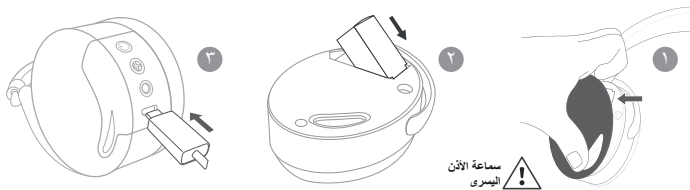
# الاستخدام الأول

## محتويات العبوة



- ١ سماعة الرأس Parrot ZIK
- ٢ بطارية
- ٣ مقبس الكابل/المقبس
- ٤ كابل micro-USB/USB
- ٥ جراب صغير للنقل

## بطارية



لتركيب البطارية، قوموا برفع الغطاء المغناطيسي للسماعة اليسرى (١)، ثم ضعوا البطارية في المكان المخصص لذلك (٢).

يجب شحن بطارية سماعة الرأس Parrot ZIK تمامًا، قبل أول استخدام، لذلك، يجب توصيل سماعة الرأس Parrot ZIK بجهاز الكمبيوتر باستخدام كابل micro-USB/USB (٣). تُصنّء لمبة المؤشر الموجودة بجانب فتحة mini-USB باللون الأحمر لتشير إلى أنه جارٍ الشحن. وما إن يتم الشحن تُصنّء لمبة المؤشر باللون الأبيض.

وعند هبوط مستوى شحن البطارية، يمكنكم دائماً استخدام سماعة الرأس Parrot ZIK للاستماع لأغانكم إذا كان مُشغّل الصوت متصلاً بسماعة الرأس بواسطة مقيس كابل التوصيل/المقيس (الوضع السالب) وفي المقابل، فإن قيام الجهاز بوظائف الهاتف أو نقل الموسيقى عن طريق تقنية® Bluetooth، وكذلك المؤثرات الصوتية ولوحة التحكم عن طريق اللمس لن تكون متاحة.

### تشغيل/إطفاء سماعة الرأس Parrot ZIK

قوموا بالضغط على الزر ⏻ لتشغيل/إطفاء المُنتج.

يمكنكم أيضاً استخدام سماعة الرأس دون تشغيلها. وفي هذه الحالة، يمكنكم استخدام سماعة الرأس Parrot ZIK للاستماع لأغانكم إذا كان مُشغّل الصوت متصلاً بالسماعة عن طريق مقيس الكابل/المقيس (الوضع السالب). وفي المقابل، فإن قيام الجهاز بوظائف الهاتف أو نقل الموسيقى عن طريق تقنية® Bluetooth، وكذلك المؤثرات الصوتية ولوحة التحكم عن طريق اللمس لن تكون متاحة.

### وضع سماعة الرأس

قوموا بضبط طوق الرأس دون الضغط عليه حتى يتم ضبط السماعات جيداً على أذنيكم، ثم ضعوا سماعة الرأس مستعينين بالحروف المدونة على كل جهة (L) بالنسبة لسماعة الأذن اليسرى و(R) لسماعة الأذن اليمنى. وهذه الحروف مدونة على طوق الرأس.

## تحميل تطبيق Parrot Audio Suite

قوموا بالاتصال بموقع App Store<sup>SM</sup>، أو بموقع Android<sup>TM</sup> Market، ثم قوموا بتحميل التطبيق المجاني Parrot Audio Suite. سوف يسمح لكم هذا التطبيق بالقيام بضبط إعدادات سماعة الرأس.

## الاتصال عن طريق تقنية Bluetooth®

قبل استخدام سماعة الرأس Parrot ZIK مع هاتفكم أو مُشغّل الصوت عن طريق تقنية Bluetooth®، يجب عليكم تعريف الجهازين وربطهما معاً. وبمجرد أن يتم التعارف المتبادل بين الجهازين، سوف لا يكون من الضروري القيام بهذا الإجراء مرة ثانية.

١. ابدأوا البحث عن أجهزة Bluetooth® من خلال تقنية Bluetooth® الخاصة بهاتفكم أو بمُشغّل الصوت.
٢. ثم اختاروا " Parrot ZIK " .
٣. أدخلوا " 0000 " على هاتفكم أو مُشغّل الصوت إذا طُلب منكم ذلك. وفقاً لطراز هاتفكم، يمكن ألا يطلب منكم إدخال رمز PIN.

وما إن يتم تعريف سماعة الرأس Parrot ZIK على هاتفكم، سوف يتم الاتصال تلقائياً بين الجهازين عند تشغيل سماعة Parrot ZIK. ليس من الممكن توصيل أكثر من جهاز بسماعة الرأس Parrot ZIK في آن واحد.

ملحوظة: إذا كان هاتفكم مزوداً بخاصية NFC، يمكنكم أيضاً إجراء التعريف من خلال لمس سماعة الأذن اليسرى الخاصة بسماعة الرأس Parrot ZIK بهاتفكم.

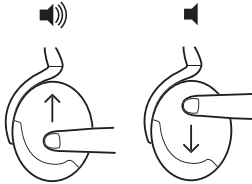
# الموسيقى

## توصيل سماعة الرأس Parrot ZIK بالمصدر الصوتي

قوموا بتوصيل مقبس الكابل/المقبس الموجود بسماعة الأذن اليمنى الخاصة بسماعة الرأس Parrot ZIK، وقوموا بتوصيل الطرف الآخر بمشغل الصوت. إذا كان هاتفكم/مشغل الصوت Bluetooth® يدعم خاصية Bluetooth® A2DP، يمكنكم أيضاً إرسال الموسيقى عن طريق تقنية Bluetooth® إلى سماعة الرأس Parrot ZIK. ولذلك، يجب توصيل جهازكم بمشغل الصوت أولاً ثم البدء في تشغيل القطعة الموسيقية.

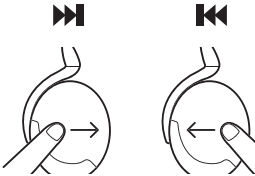
## الصوت

لرفع مستوى الصوت، قوموا بلمس لوحة التحكم التي تعمل بتقنية اللمس بتحريك إصبعكم إلى أعلى. ولخفض مستوى الصوت، قوموا بلمس لوحة التحكم التي تعمل بتقنية اللمس بتحريك إصبعكم إلى أسفل.



## التالي/السابق

- إذا كان مشغل الصوت متصلاً بسماعة الرأس Parrot ZIK عن طريق تقنية Bluetooth®:
- للعودة للقطعة الموسيقية السابقة، قوموا بلمس لوحة التحكم التي تعمل بتقنية اللمس بتحريك إصبعكم نحو الخلف.
  - للانتقال للقطعة الموسيقية التالية، قوموا بلمس لوحة التحكم التي تعمل بتقنية اللمس بتحريك إصبعكم نحو الأمام.



## إيقاف مؤقت/تشغيل

لإيقاف تشغيل الموسيقى مؤقتًا، قوموا بفصل السماعة. لاستئناف الاستماع للموسيقى، قوموا بإعادة توصيل السماعة.



# تطبيق Parrot Audio Suite



## التحكم النشط في الضوضاء

قوموا باستخدام تطبيق Parrot Audio Suite لتشغيل/إيقاف التحكم النشط في الضوضاء.



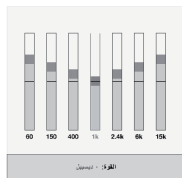
## المؤثر الموسيقي Parrot Concert Hall

يُمكّنكم المؤثر الموسيقي Parrot Concert Hall من محاكاة مشهد لحفل موسيقي. ويمكن تشغيل هذا المؤثر والتحكم فيه عن طريق تطبيق Parrot Audio Suite.

- قوموا بلمس واحدة من المناطق الأربع لاختيار إعدادات الصوت للقطعة الافتراضية وكذلك عمق الصوت الذي يمكن استماعه.
- قوموا بلمس الأسهم لضبط اتجاه مكبر الصوت وبالتالي تكبير الصوت.

## مُعادل الصوت

يُمكّنكم معادل الصوت من ضبط الترددات الصوتية. قوموا بضبط الترددات المنخفضة والمتوسطة والحادة حسبما تفضلون باستخدام المؤشرات من اليسار إلى اليمين على التوالي. يُمكنكم الاختيار من بين القطع الموسيقية التي تم ضبطها مسبقاً (على سبيل المثال: فلات، ديب، روك...) لضبط الترددات تبعاً لأسلوب الموسيقى التي تسمعونها.



# الهاتف

## استقبال مكالمة

- تتم الإشارة للمكالمات الواردة عن طريق صدور نغمة صوتية.
- إذا أردتم استقبال هذه المكالمة، قوموا بلمس لوحة التحكم التي تعمل بتقنية اللمس.
  - وإذا أردتم رفض هذه المكالمة، قوموا بالضغط على لوحة التحكم التي تعمل بتقنية اللمس لثانيتين.

ملحوظة: إذا كنتم لا تضعون سماعة الرأس أو إذا كنتم تريدون فصلها لحظة استلام المكالمة، يتم نقل المكالمة إلى هاتفكم.



## استخدام السماعة خلال المكالمة التليفونية

لرفع مستوى الصوت خلال الاتصال، قوموا بلمس لوحة التحكم التي تعمل بتقنية اللمس بتحريك إصبعكم إلى أعلى. ولخفض مستوى الصوت خلال الاتصال، قوموا بلمس لوحة التحكم التي تعمل بتقنية اللمس بتحريك إصبعكم إلى أسفل. يتم حفظ مستوى الصوت للمكالمات التالية.

لنقل إتصال جاري إلى هاتفكم، قوموا بفصل سماعة الرأس Parrot ZIK.

ولإنهاء المكالمة، قوموا بالضغط على لوحة التحكم التي تعمل بتقنية اللمس.



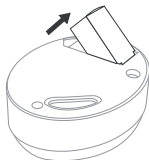
### الاتصال المزدوج

- تسمح سماعة الرأس Parrot ZIK بالتحكم في مكالمتين في نفس الوقت شريطة أن يكون هاتفكم مزودًا بهذه الخاصية.
- قوموا بالضغط على لوحة التحكم التي تعمل بتقنية اللمس لاستقبال المكالمة الأخرى. يتم تعليق المكالمة الأولى تلقائيًا.
- قوموا بالضغط على لوحة التحكم التي تعمل بتقنية اللمس لرفض المكالمة الثانية الصادرة. ويمكنكم أيضًا رفض هذه المكالمة من خلال هاتفكم.
- قوموا بلمس لوحة التحكم التي تعمل بتقنية اللمس نحو الأمام والخلف للتبديل من مكالمة للأخرى.

# في حالة حدوث مشكلة

## إعادة التشغيل

في حالة حدوث مشكلة، يمكنكم إعادة تشغيل سماعة الرأس Parrot ZIK وذلك بنزع البطارية من السماعة.



## التحديث

قوموا بتحميل آخر تحديث للمنتج عبر موقعنا على الويب [www.parrot.com](http://www.parrot.com) قسم "الدعم والتحميل" وقوموا بتثبيت التحديث عن طريق توصيل سماعة الرأس Parrot ZIK بجهاز الكمبيوتر عن طريق الكابل الذي تم تزويدكم به. سوف تسمح هذه التحديثات بتحسين ملاءمة المنتج.

## لمزيد من المعلومات

للحصول على مزيد من المعلومات أو للاتصال بالدعم الفني، اتصلوا بنا على موقعنا على الإنترنت [www.parrot.com](http://www.parrot.com) قسم الدعم والتحميل.

# المعلومات العامة

معلومات السلامة



قد يتسبب الاستماع للموسيقى بأعلى حد للصوت عن طريق مشغل الموسيقى ولمدة طويلة في الإضرار بأذن المستخدم.

- لا يجب فك أجزاء أو فتح أو إلقاء أو صدم أو ثني أو تبديل شكل أو ثقب أو تقطيع الجهاز.
- كما لا يجب تحويل البطارية أو محاولة إدخال أجسام غريبة عليها أو غمرها أو تعرضها للماء أو أي سائل آخر، كما يجب عدم تعرضها للنار أو الحرارة الشديدة مثل أفران صهر الحديد أو الميكروويف.
- يجب استخدام البطارية فقط وفق نظام الشحن المحدد عن طريق المُصنِّع.
- كما لا يجب قطع دائرة البطارية بواسطة أدوات معدنية أو موصلات، أو توصيل كلا طرفيها في آن واحد.
- استبدلوا فقط البطارية التالفة ببطارية أخرى من نفس النوع وبنفس المواصفات. فاستخدام بطارية غير مطابقة يمكن أن يُسبب خطر اندلاع حريق أو انفجار أو تسرب ما أو أية أضرارٍ أخرى.
- قوموا بالتخلص من البطارية المستهلكة سريعاً وفقاً لتعليمات الصانع/المورد.
- إن استخدام بطارية بشكل غير مناسب يمكن أن يُسبب خطر اندلاع حريق أو انفجار أو تسرب ما أو أية أضرار أخرى.
- وعند استخدام الأطفال للبطارية، يجب أن تتم مراقبتهم.

الضمان

بدون الإضرار بالضمان القانوني وتطبيق مواد القانون رقم ٢١١-٤ و٢١١-٥ و٢١١-١٢ من قانون المستهلك والمواد من ١٦٤١ إلى ١٦٤٦ من القانون المدني الفرنسي، يطبق الضمان على منتجات شركة Parrot لمدة ١٢ شهراً بدءاً من تاريخ الشراء الأول للمستهلك على عيوب المواد والصنع وذلك بتقديم دليل الشراء (قسمة الشراء، الفاتورة) للبائع. وخلال فترة الضمان، يجب إعادة المنتج المعيب في غلافه الأصلي للبائع عن طريق منافذ خدمة ما بعد البيع SAV. وبعد فحص المنتج، تلجأ شركة Parrot، حسب إرادتها، إلى تصليح أو استبدال المنتج أو القطعة المعيبة باستثناء كل العيوب الأخرى. لا يشمل الضمان تحديث البرامج المدرجة في منتجات Parrot عن طريق الهوائيات المحمولة ذات تقنية® Bluetooth وذلك لغايات توافقية. كما لا يشمل الضمان استعادة البيانات أو إصلاح التلفيات الخارجية للمنتج والتي يسببها الاستخدام المعتاد، أو أية خسائر أخرى ناجمة عن حادث أو الاستخدام غير المعتاد أو غير المسموح به للمنتج، أو أي منتج آخر بخلاف منتجات شركة Parrot. إن شركة Parrot غير مسؤولة عن التخزين أو الضياع أو تلف البيانات خلال النقل أو التصليح.

كل منتج يتضح أنه غير معيب سوف يتم إعادته للموزع، كما يتم إصدار فاتورة بمصاريف المعالجة والكشف والنقل.

كيف يتم تدوير المنتج؟

مُخلفات الأجهزة الكهربائية والإلكترونية



يشير الرمز الموجود على المنتج وكذلك الوثيقة الخاصة به إلى أنه لا يجب التخلص منه بعد استهلاكه مع المخلفات المنزلية الأخرى. حيث إن التخلص غير المضبوط من المخلفات يمكن أن يسبب ضررًا للبيئة ولصحة الإنسان، ولذلك يُرجى القيام بفصل المنتج عن أنواع المخلفات الأخرى وإعادة تدويره بطريقة مسؤولة. بذلك سوف تسهلون إعادة الاستخدام الدائمة للموارد المادية. وتدعو الأفراد للاتصال بالموزع الذي بعاهم المنتج أو الاستعلام من البلدية لمعرفة أين وكيف يمكنهم التخلص من هذا المنتج بحيث يمكن إعادة تدويره بطريقة صديقة للبيئة. وكذلك ندعو الشركات للاتصال بالموزعين ومراجعة شروط عقد البيع الخاص بهم، فلا يجب التخلص من هذا المنتج مع المخلفات التجارية الأخرى.

التعديلات

إن الشرح والمواصفات اللذين يتضمنهما دليل المستخدم يتم التزويد بهما على سبيل المعلومات ويمكن تعديلها دون بيان مُسبق. لقد كانت هذه المعلومات صحيحة عند الطبع وأوليانها اهتمامًا كبيرًا عند الكتابة لإمدادكم بالمعلومات الأكثر دقة. ومع ذلك، فإن شركة Parrot S.A، ليست مسؤولة بطريق مباشر أو غير مباشر عن الأضرار المحتملة أو فقدان العرضي للبيانات والذي ينجم عن الخطأ أو الإغفال داخل الوثيقة نفسها. تحتفظ شركة Parrot S.A لنفسها بحق تعديل أو تحسين المنتج وكذلك دليل المستخدم دون قيود أو التزامات بإخطار المستخدم. يمكنكم الحصول على نسخة معدلة من دليل المستخدم في صيغة إلكترونية على الموقع [www.parrot.com](http://www.parrot.com).

© حقوق النشر لعام ٢٠١٢ محفوظة لشركة Parrot. جميع الحقوق محفوظة.

ماركات مسجلة

الاسم والشعار **Bluetooth®** يمثلان ماركات مسجلة لشركة SIG, Inc. **Bluetooth®** وأي استخدام لهما من قبل شركة Parrot S.A. يتم وفقًا لتصريح. QDID: B019338 B017642 B017641  
إن App Store هي ماركة خدمة تابعة لشركة Apple Inc.  
إن Android™ هي ماركة تابعة لشركة Google Inc.  
إن Parrot وشعارات Parrot هي ماركات مسجلة لشركة Parrot SA في فرنسا وبلدان أخرى.  
إن ZIK هي ماركة تابعة لشركة Parrot SA.  
وجميع الماركات التي تم ذكرها في هذا الدليل تعتبر محمية وكذلك الملكية الخاصة بمالكها المعنيين.





# Technical support

If you have any questions regarding your Parrot product, contact our hotline by phone or using our technical contact form available on our website (support section).

**Italy :** [+39] 02 59 90 15 97

**Spain :** [+34] 902 404 202

**UK :** [+44] (0)844 472 2360

**Germany :** 0900 1727768

**USA :** [+1] (877) 9 Parrot (toll free)

**China :** [+86] 755 8203 3307

**Hong Kong :** [+852] 2736 1169

**France :** 01 48 03 60 69

**Europe :** [+33] 1 48 03 60 69 (Spoken languages : French, English and Spanish)



Our hotline is at your disposal from Monday to Friday. Refer to our website for more information about the service hours.



Parrot<sup>®</sup>

Zik



PI031358AC