

E U R O —
— *t e c h*

PRODUCT DOSSIER

BLACK & DECKER

HEDGETRIMMER

GT520, GT530, GT540

01-11-97

GT520_1D.PDF

Contents

Attached to this dossier:

Copy of service parts lists	GT520,GT530, GT540
Copy of service parts drawings	E12367
Copy of service wiring diagram	E10904
Copy of repair information	R11021

Introduction

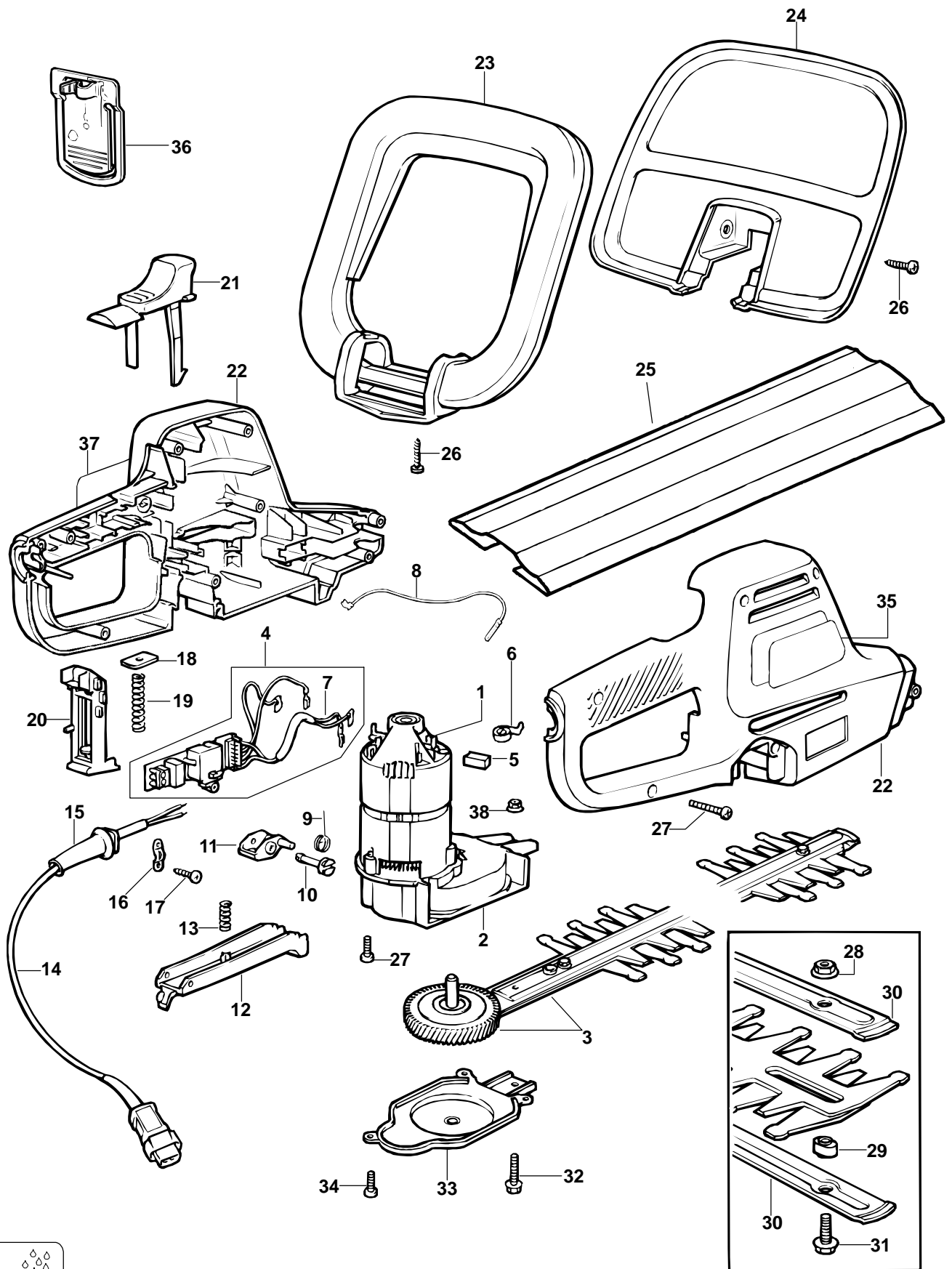
Catalogue number(s)	GT520, GT530, GT540
Type number	TYPE 1
Description	HEDGETRIMMER
Manufacturing plant	Spennymoor, UK
Service parts warehouse	Perth Avenue, UK
Euro Tech engineer	Mike Lenahan

Launch planner

Launch markets	QS, GB, CH
Launch date	01-12-97
Other markets	N/A
Date	N/A

Product overview

	GT520	GT530	GT540
OUTPUT	500	500	500
VOLTAGE (v)	230	230	230
CURRENT (A)	2.17	2.17	2.17
BLADE LENGTH (CM)	40	53	63



881

©

GT520-----A
GT540-----A

TY-1
TY-1

GT530-----A TY-1

ITEM	DESCRIPTION	PART NO.	QTY	PRICE	VARIANT	DESCRIPTION
1	MOTOR & GEARCASE	376128	1			
2	GEARCASE SA	798886	1			
3	BLADE SA	798894-09	1		T-GT520	
3	BLADE SA	798894-10	1		T-GT530	
3	BLADE SA 24"	798894-11	1		T-GT540	
4	SWITCH SA	798936-01	1			
5	BRUSH	832998-04	2			
6	SPRING BRUSH	747634	2			
7	LEAD SA	796324	1			
8	LEAD SA	811594	1			
9	SPRING	798935	1			
10	PIN	799317	1			
11	PIVOT	799318	1			
12	TRIGGER	798897-01	1			
13	SPRING	806128	1			
14	CORDSET	330048-08	1		M-AT-GR-ES-PT-DE-FR	
14	CORDSET	330048-08	1		M-BE-NL-LU	
14	CORDSET	330048-25	1		M-CH	
14	CORDSET	330048-08	1		M-DK-SE-NO-FI-IT-ZA	
14	CORDSET (SPLASH)	330048-52	1		M-GB-IE-KW	
15	PROTECTOR	770235	1			
16	CORD CLAMP	821070	1			
17	SCREW	821057	2			
18	RETAINER	805608	1			
19	SPRING	806189	1			
20	PUSHROD	798934	1			
21	LOCK BUTTON	373081	1			
22	CLAMSHELL	798666-01	1			
23	HANDLE SA	798911-02	1			
24	GUARD	798901-03	1			
25	SHEATH	374071-02	2		T-GT520	
25	SHEATH	374071-03	2		T-GT530	
25	SHEATH	374071-04	2		T-GT540	
26	SCREW	748636	6			
27	SCREW	747329	10			
28	NUT M5	798755	7			
29	SPACER	798753	8			
30	SUPPORT	798745-03	2		T-GT530	
30	SUPPORT	798745-04	2		T-GT540	
31	BLADE BOLT	371954-01	7			
32	BOLT	798754-03	1			
33	GEARCASE COVER	798896	1			
34	SCREW	809015	3			
35	WARNING LABEL	798908-01	1			
36	CLIP	373083	1			
37	BRAND LABEL	798907-10	1			
38	NUT M5	807817-01	1			
881	COUPLER (SPLASH)	844840	1		M-GB-IE-KW	

GT520-----A
GT540-----A

TY-1
TY-1

GT530-----A TY-1

ITEM DESCRIPTION PART NO. QTY PRICE VARIANT DESCRIPTION

VOLTAGE #1			230	VOLTS	
AMPERE #1			2.17	AMPS	
INPUT WATTS			500	WATTS	



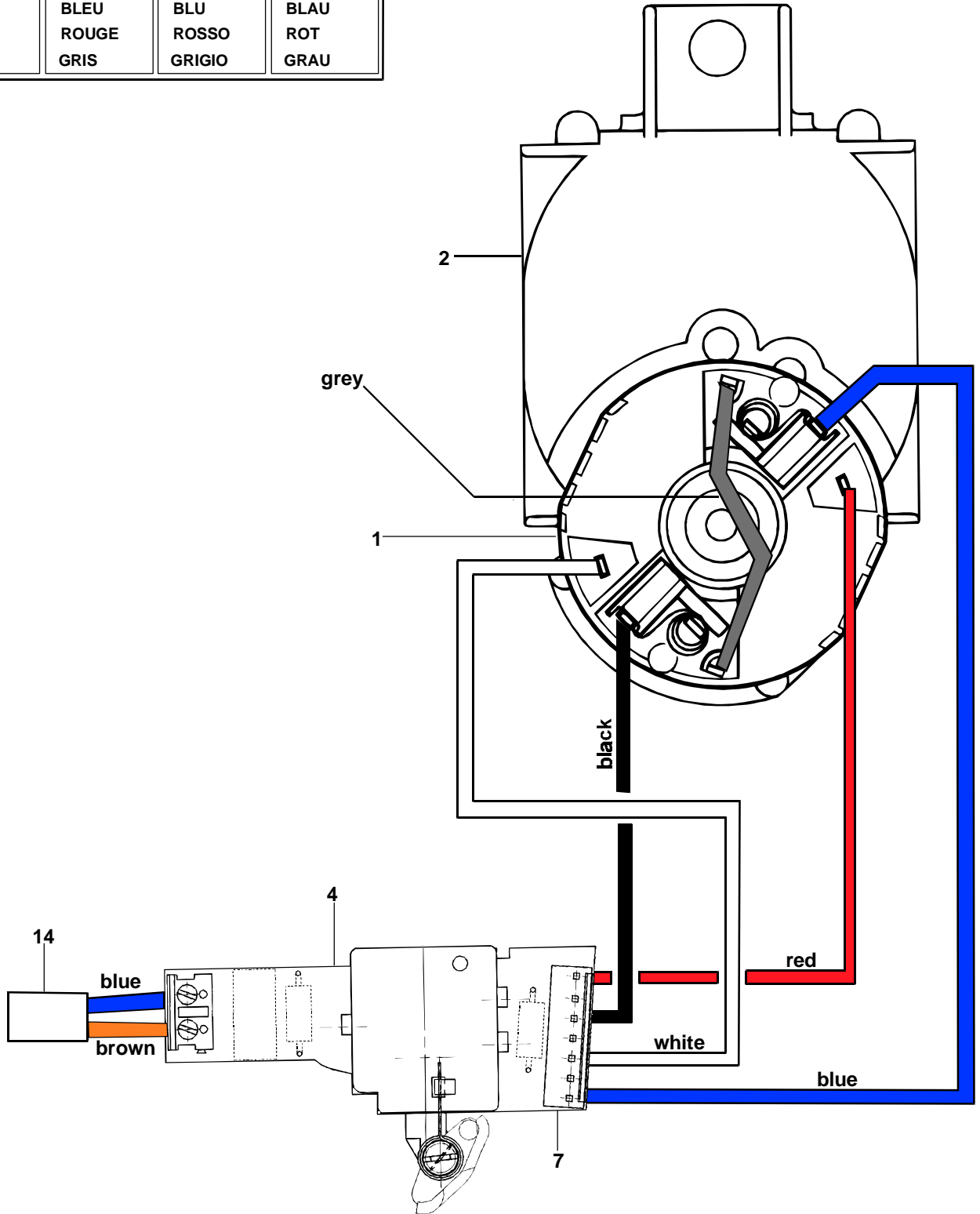
BLACK & DECKER

**GT410 - GT420 - GT425 - GT430 - GT435
GT440 - GT445 - GT520 - GT530 - GT540
D43HS - D60HS**

TYP.
1 - 2 - 3

COLOUR KEY

ENGLISH	FRENCH	ITALIAN	GERMAN
BLACK	NOIR	NERO	SCHWARZ
WHITE	BLANC	BIANCO	WEISS
BROWN	BRUN	MARRONE	BRAUN
BLUE	BLEU	BLU	BLAU
RED	ROUGE	ROSSO	ROT
GREY	GRIS	GRIGIO	GRAU



©

R11021

GT420 GT425 GT435 GT445 GT520 GT530 GT540 Hedgetrimmer

Gearcase screws item 34:

Remove using a Torx T10 screwdriver.

Blade nuts 28 and bolts 31:

Remove using an 8 mm spanner.

Tighten to a torque of 4.5 Nm +/- 0.2.

General:

For wiring layout refer to wiring diagram E10904.

Gearbox grease specification is Duckhams ADAMAX LM2, 1 g.

For full repair instructions refer to product dossier.