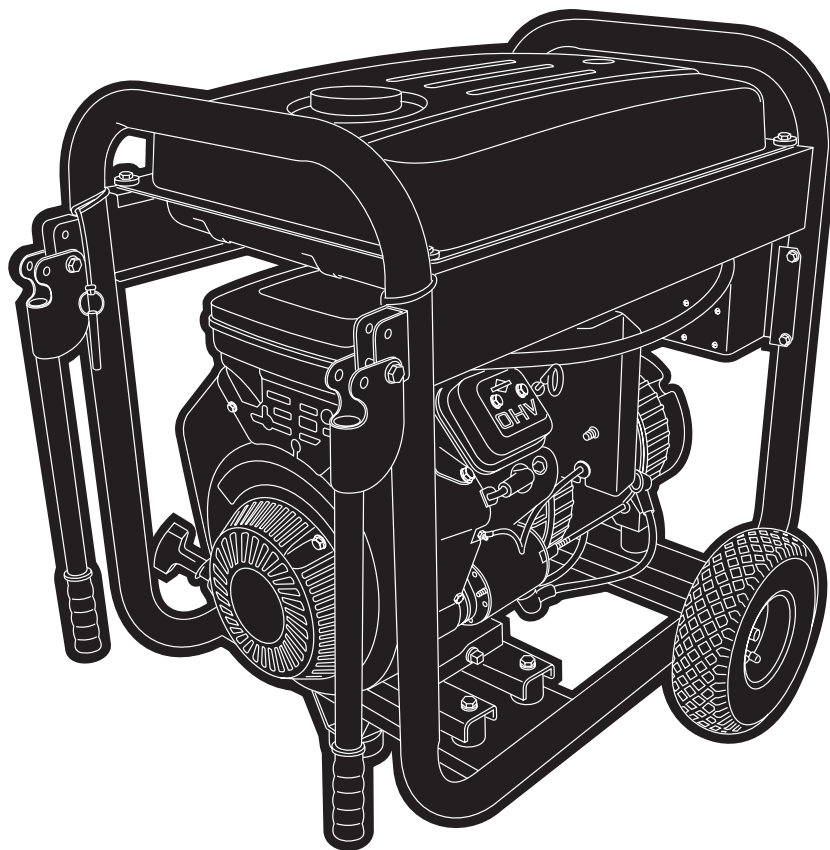




# PORTABLE GENERATOR GÉNÉRATEUR PORTATIF GENERADOR PORTÁTIL

Model may vary slightly from  
that shown



Model / Modèle / Modelo

**PRO8000**

**01934**

## Illustrated Parts List

Questions? Help is just a  
moment away!

Call: Generator Helpline -  
1-800-743-4115 M-F 8-5 CT

## Les Parties illustrées Enumèrent

Vous avez des questions?  
Vous n'avez pas besoin d'aller loin  
pour trouver de l'aide!

Appelez: Ligne d'assistance de  
Générateur - 1-800-743-4115  
M-F 8-5 CT

## Las Partes ilustradas Listan

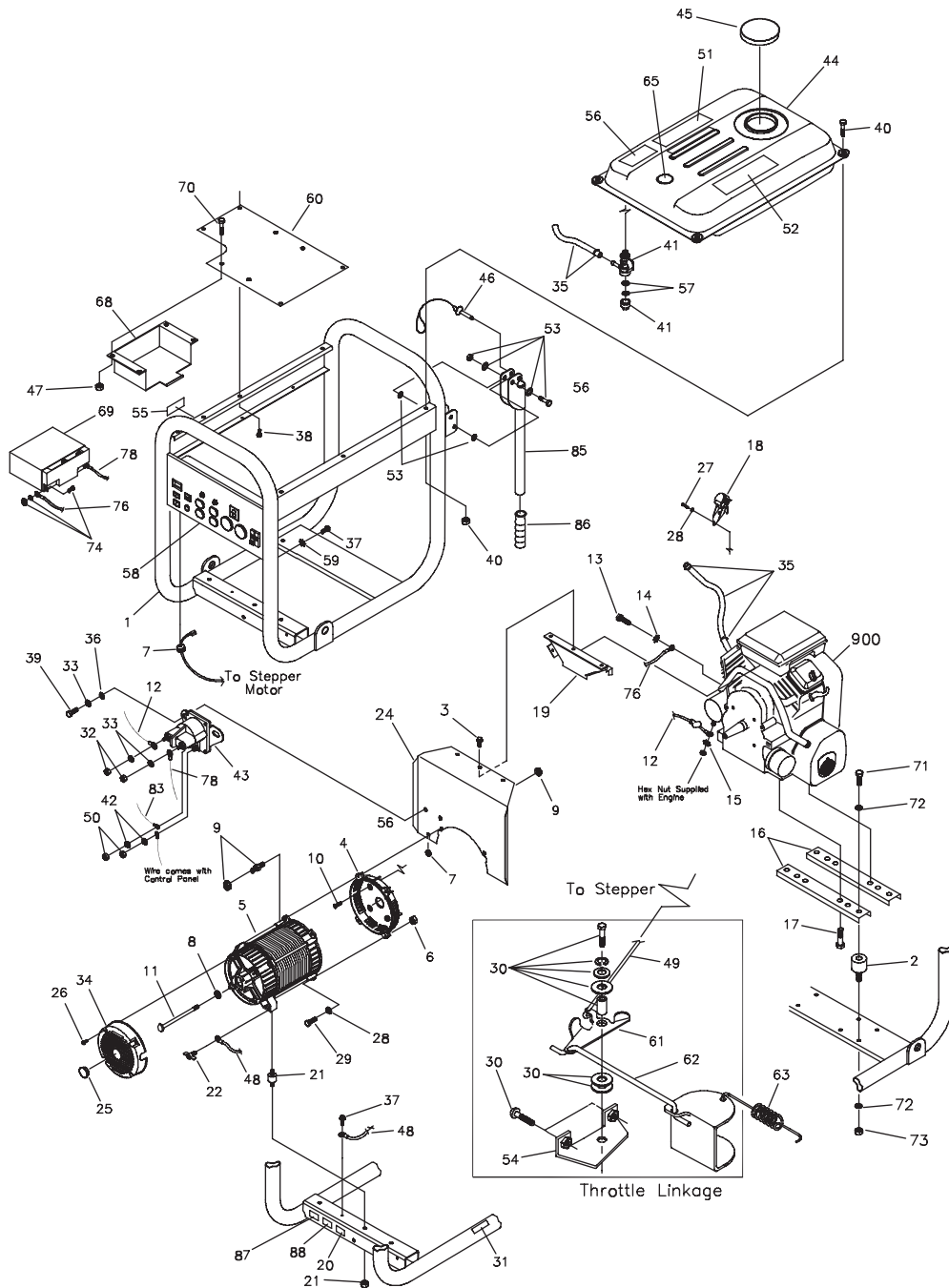
Preguntas? La ayuda es justa un  
momento lejos!

Llamada: Generador Helpline -  
1-800-743-4115 M-F 8-5 CT

**BRIGGS & STRATTON POWER PRODUCTS GROUP, LLC**  
**JEFFERSON, WISCONSIN, U.S.A.**

Manual No. 195511A  
Revision H (11/29/2007)

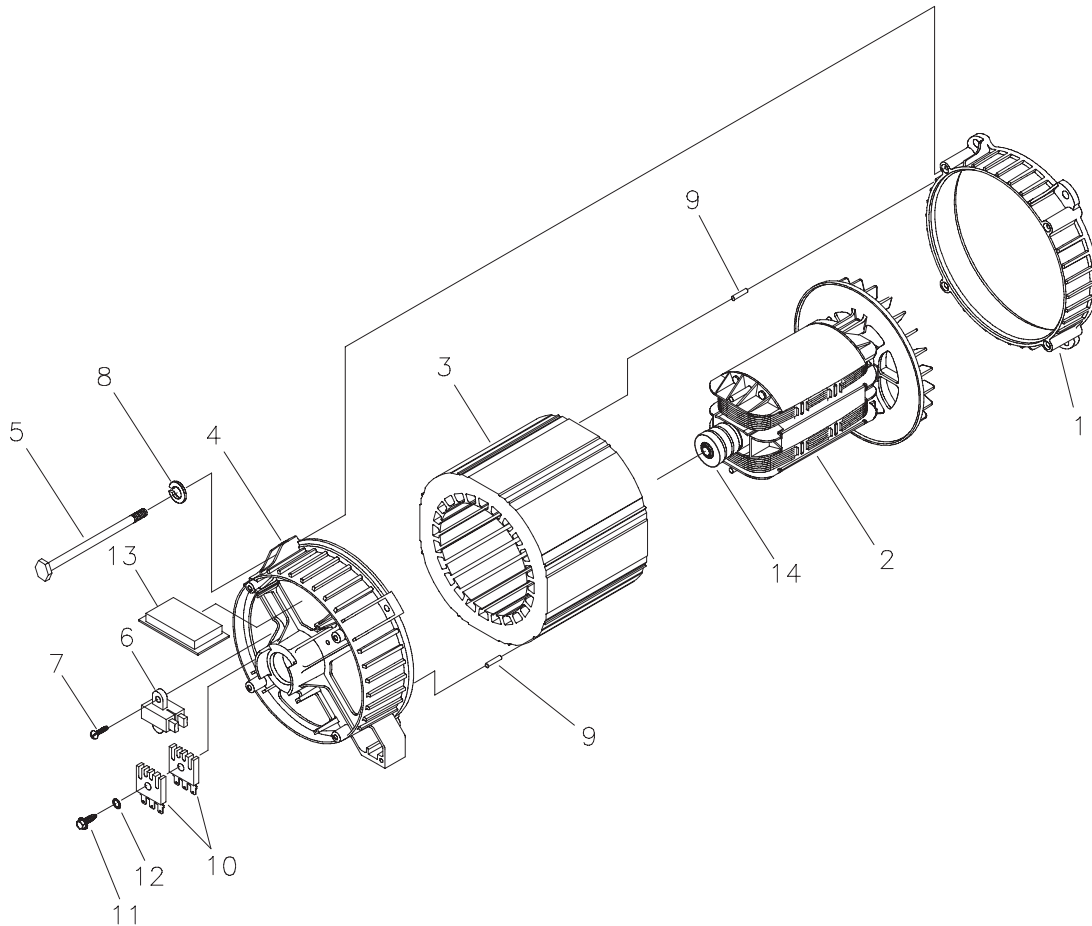
# EXPLODED VIEW - MAIN UNIT



Copyright © 2007 Briggs & Stratton Power Products Group, LLC. All rights reserved. No part of this material may be reproduced or transmitted in any form by any means without the express written permission of Briggs & Stratton Power Products Group, LLC.



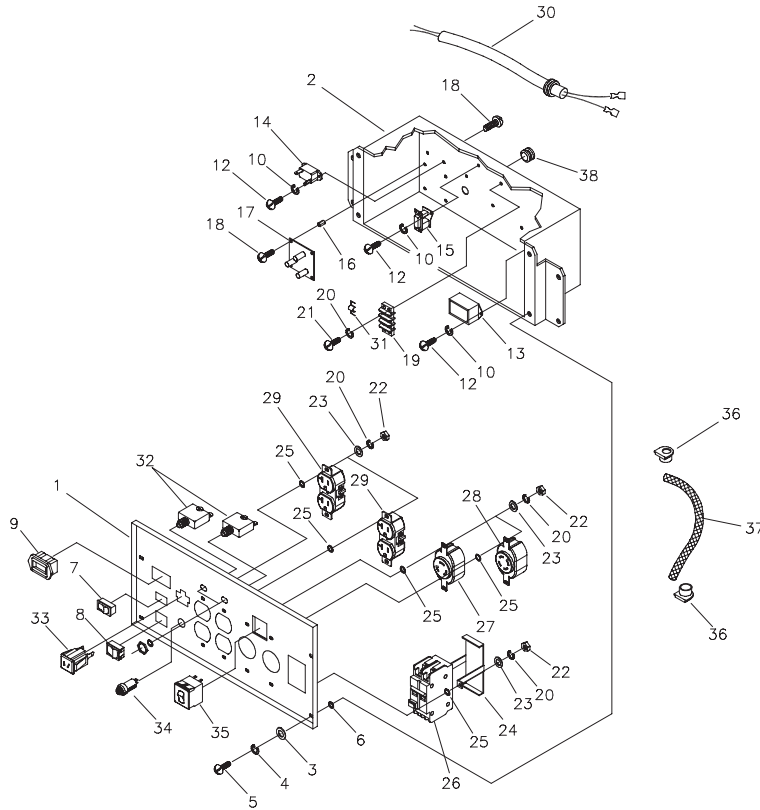
## EXPLODED VIEW AND PARTS LIST - ALTERNATOR



Item	Part #	Description
1	186059GS	ADAPTER, Mounting, Alternator
2	192938GS	ROTOR
3	192937AGS	STATOR
4	186060GS	RBC, with O-Ring (p/n 189197GS)
5	66449LGS	HHCS, M6 - 1.0 x 190 SEMS
6	66386GS	ASSY, Holder, Rectifier/Brush
7	66849GS	TAPTITE, M5 - 0.8 x 16
8	*	LOCKWASHER, 1/4 - M6
9	81917GS	PIN, Roll, 4mm x 10
10	65795GS	RECTIFIER, Battery Charge
11	66849CGS	TAPTITE, M5 - 0.8 x 30
12	*	WASHER, Shakeproof, Ext. #10
13	189769GS	REGULATOR, Voltage-AVR
14	65791GS	BEARING

\* - Items without part numbers are common fasteners and are available at local hardware stores.

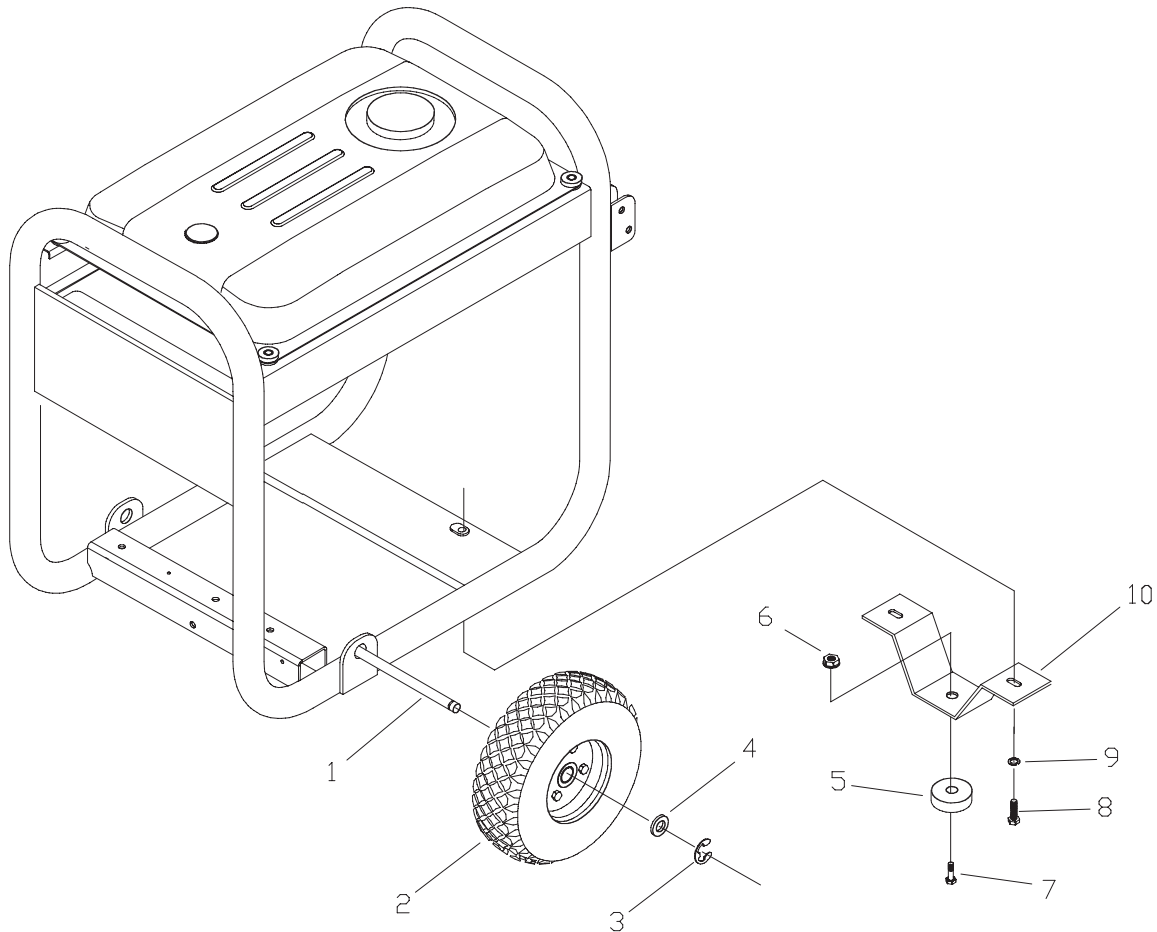
## EXPLODED VIEW AND PARTS LIST - CONTROL PANEL



Item	Part #	Description	Item	Part #	Description
1	B195397GS	PANEL, Control	22	*	NUT, M4 - 0.7
2	B192837GS	BOX, Control Panel	23	*	WASHER, Flat, M4
3	*	WASHER, Flat, #10 - M5	24	192931GS	BRACKET, GFCI Breaker
4	*	LOCKWASHER, M5	25	*	WASHER, Shakeproof, Int. #8
5	*	PPHMS, M5 - 0.8 x 12	26	192828EGS	BREAKER, Circuit, GFCI, 40A
6	*	WASHER, M6 - 1/4, Int. Shakeproof	27	68868GS	OUTLET, 120V, 30A
7	82538GS	SWITCH, Rocker	28	43437GS	OUTLET, 120/240V, 30A
8	192855GS	SWITCH, Rocker	29	68759GS	OUTLET, 120V, 20A, Duplex
9	202602GS	HOUR METER	30	194953GS	HARNES, Wire
10	*	LOCKWASHER, M3	31	193597GS	JUMPER, Terminal Block
11	*	NUT, M3 - 0.5	32	202394GS	BREAKER, Circuit, 20A with Hardware
12	*	PHMS, M3 - 0.5 x 10	33	90418GS	OUTLET, 12VDC, Snap
13	77314GS	THERMAL, Relay	34	B4694GS	JACK, Coaxial
14	87962GS	BREAKER, Circuit, 10A, 12V	35	202033GS	BREAKER, Circuit, 30A, 2P
15	84028GS	TRANSFORMER, Idle Cnt	36	188632GS	BOOT, Rubber Wire Outlet
16	64525GS	STANDOFF, Hex, 3/4"	37	77043BGS	CONDUIT, Flex, .50 I.D. x 9.5
17	195406GS	PCB, Idle Control, 10KW	38	62265GS	GROMMET
18	*	PHTS, 6 - 32 x 3/8"			
19	92953GS	TERMINAL, Block			
20	*	LOCKWASHER, M4			
21	*	PPHMS, M4 - 0.7 x 20			

\* - Items without part numbers are common fasteners and are available at local hardware stores.

## EXPLODED VIEW AND PARTS LIST - WHEEL KIT



Item	Part #	Description
1	191267JGS	AXLE, 5/8" x 25.59"
2	B4966GS	WHEEL
3	191265GS	E-RING, 5/8
4	*	WASHER, 5/8
5	191413GS	VIBE MOUNT, with Washer
6	192432GS	NUT, 1/4 - 20 Serrated Lock
7	*	HHCS, 1/4 - 20 x 1.00 Lg.
8	*	HHCS, M8 - 1.25 x 20 Lg.
9	*	WASHER, M8 Lock
10	B189085GS	LEG, Support

**Items Not Illustrated**  
 187319GS SUBKIT, Hardware

\* - Items without part numbers are common fasteners and are available at local hardware stores.