

SS-H10

SERVICE MANUAL

*US Model
Canadian Model
AEP Model
UK Model
E Model
Australian Model*



Photo: L-CH

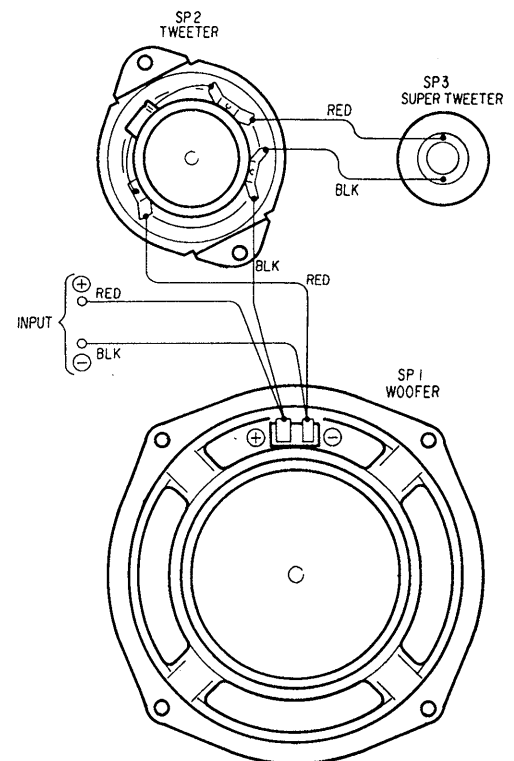
This set is the speaker system in FH-B500, FH-B500K, FH-B700, MHC-510 and MHC-610.

SPECIFICATIONS

Speaker system	3 - way system
Speaker units	Woofer : 13 cm dia., cone type Tweeter : 5 cm dis., cone type Super tweeter: 2 cm dia., dome type
Enclosure	Bass reflex
Frequency range	65 Hz - 20 kHz
Sensitivity	88 dB/W/m
Rated impedance	6 ohms
Dimensions	Approx. 175 x 285 x 235 mm (7 x 11 ¹ / ₄ x 9 ³ / ₈ inches)
Mass	Approx. 2.9 kg (6 lb 6 oz) net per speaker

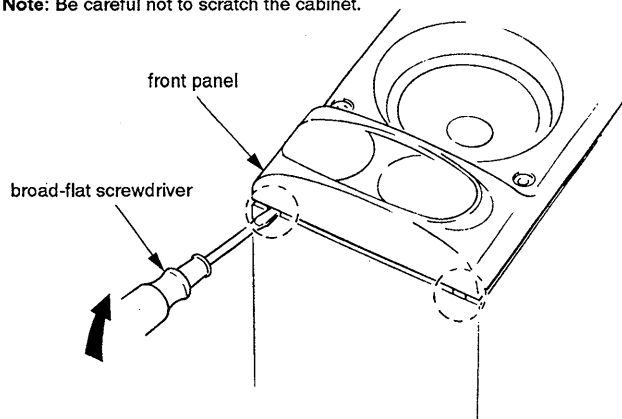
Design and specifications subject to change without notice.

2. WIRING DIAGRAM



1. FRONT PANEL REMOVAL

Note: Be careful not to scratch the cabinet.



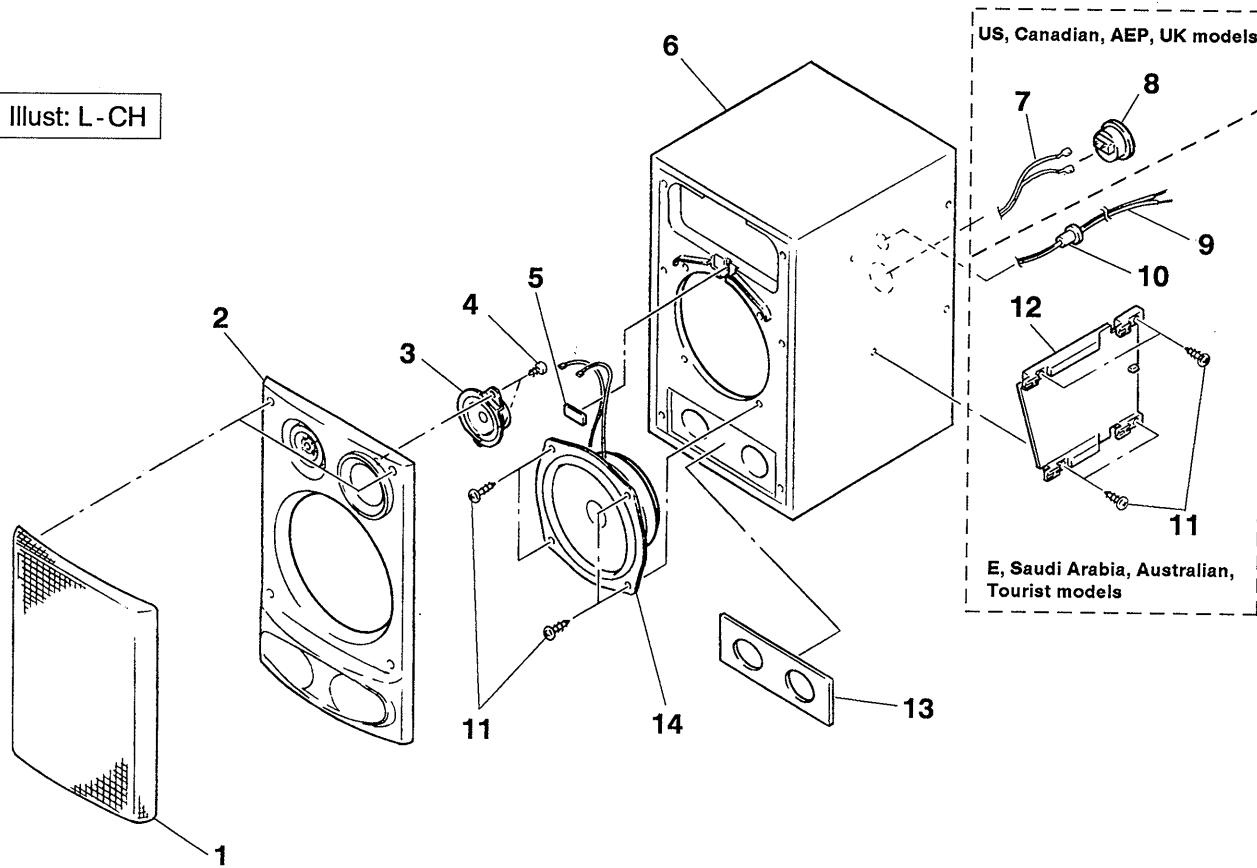
SPEAKER SYSTEM
SONY[®]

3. EXPLODED VIEW AND PARTS LIST

NOTE:

- -XX, -X mean standardized parts, so they may have some difference from the original one.
- Items marked "*" are not stocked since they are seldom required for routine service. Some delay should be anticipated when ordering these items.
- The mechanical parts with no reference number in the exploded views are not supplied.

Illust: L-CH



Ref. No.	Part No.	Description	Remark	Ref. No.	Part No.	Description	Remark
1	X-4943-048-1	FRAME ASSY, GRILLE		12	4-950-752-01	PANEL (L), SIDE (E, Saudi Arabia, Australian, Tourist)	
2	X-4943-049-1	PANEL (L) ASSY, FRONT (Including super tweeter)		12	4-950-753-01	PANEL (R), SIDE (E, Saudi Arabia, Australian, Tourist)	
2	X-4943-050-1	PANEL (R) ASSY, FRONT (Including super tweeter)		* 13	4-955-257-01	PACKING	
3	1-504-158-11	SPEAKER (5CM) (Including capacitor)		14	1-504-157-11	SPEAKER (12CM)	
4	3-703-564-01	SCREW, TAPPING		*****			
5	9-911-844-XX	PACKING		ACCESSORIES & PACKING MATERIALS			
6	X-4943-044-1	CABINET ASSY, SPEAKER (E, Saudi Arabia, Australian, Tourist)		*****			
6	X-4943-047-1	CABINET ASSY, SPEAKER (US, Canadian, AEP, UK)		1-575-495-11	CORD, SPEAKER (UK)		
7	1-696-940-11	CORD, SPEAKER (US, Canadian, AEP, UK)		*	4-956-394-01	CUSHION (US, Canadian, AEP, E, Saudi Arabia, Australian, Tourist)	
8	1-537-332-11	TERMINAL BOARD (US, Canadian, AEP, UK)			4-956-543-01	CUSHION (UK)	
9	1-696-941-11	CORD, SPEAKER (E, Saudi Arabia, Australian, Tourist)		*	4-957-589-01	INDIVIDUAL CARTON (UK)	
10	4-870-003-00	CLIPPER, CORD (E, Saudi Arabia, Australian, Tourist)					
11	4-874-614-61	SCREW (4) (3.5X16), TAPPING					