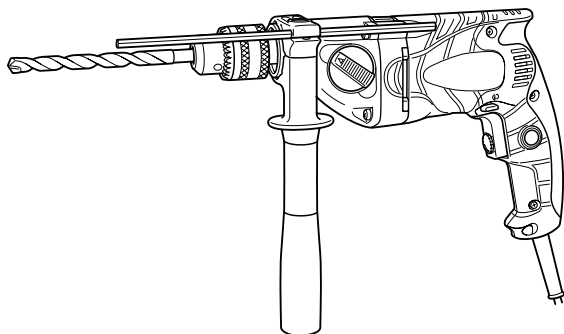


# HITACHI

**Impact Drill**  
**Schlagbohrmaschine**  
**Perceuse percussion**  
**Trapano a percussione**  
**Klop-boormachine**  
**Taladro de percusión**  
**Berbequim com percussão**  
**Κρουστικό δραπανο**

**DV 18V**

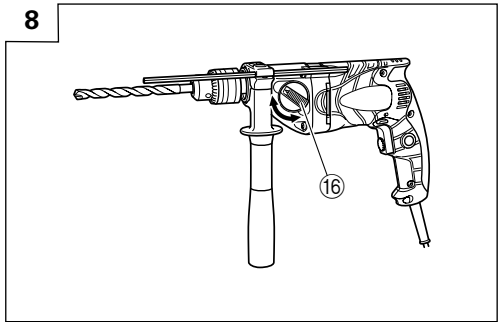
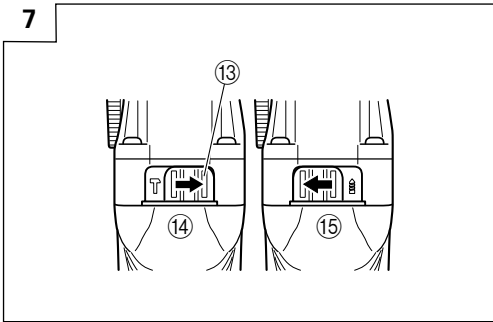
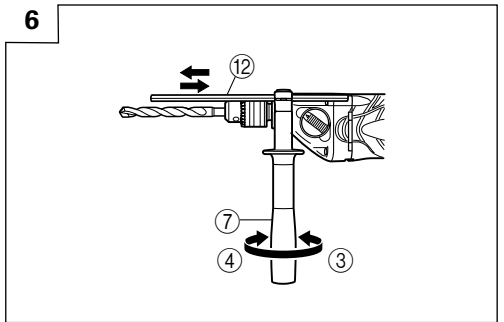
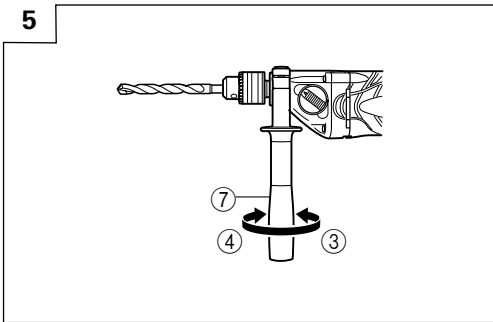
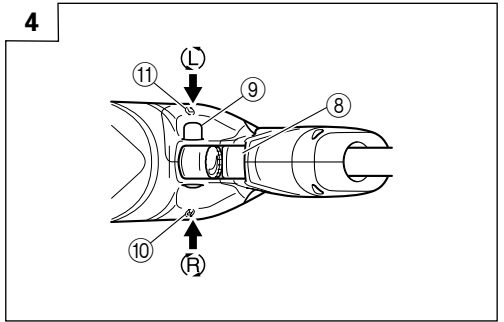
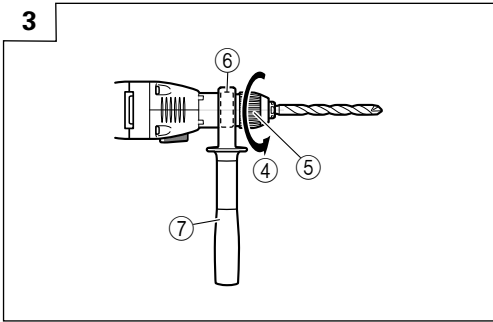
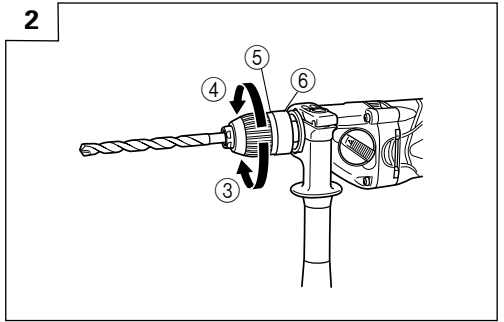
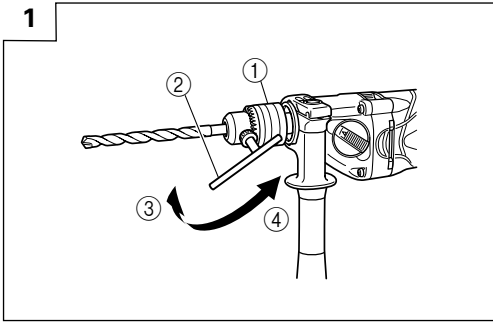


Read through carefully and understand these instructions before use.  
Diese Anleitung vor Benutzung des Werkzeugs sorgfältig durchlesen und verstehen.  
Lire soigneusement et bien assimiler ces instructions avant usage.  
Prima dell'uso leggere attentamente e comprendere queste istruzioni.  
Deze gebruiksaanwijzing s.v.p. voor gebruik zorgvuldig doorlezen.  
Leer cuidadosamente y comprender estas instrucciones antes del uso.  
Antes de usar, leia com cuidado para assimilar estas instruções.  
Διαβάστε προσεκτικά και κατανοήσετε αυτές τις οδηγίες πριν τη χρήση.

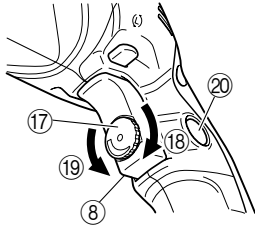


Handling instructions  
Bedienungsanleitung  
Mode d'emploi  
Istruzioni per l'uso  
Gebruiksaanwijzing  
Instrucciones de manejo  
Instruções de uso  
Οδηγίες χειρισμού

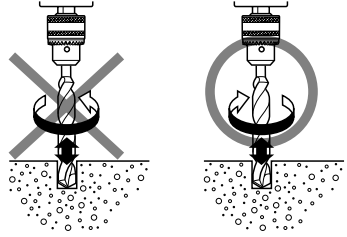
**Hitachi Koki**



9








10



	English	Deutsch	Français	Italiano
①	Drill chuck	Bohrfutter	Mandrin	Mandrino trapano
②	Chuck wrench	Futterschlüssel	Clé de serrage	Chiave mandrino
③	Tighten	Anziehen	Serrer	Stringere
④	Loosen	Lösen	Desserrer	Allentare
⑤	Sleeve	Manschette	Manchon	Collare
⑥	Retaining ring	Haltering	Bague de retenue	Anello di trattenimento
⑦	Side handle	Seitengriff	Poignée latérale	Maniglia laterale
⑧	Switch trigger	Abzugschalter	Gâchette	Grilletto interruttore
⑨	Push button	Druckknopf	Bouton poussoir	Pulsante
⑩	(R) mark	Markierung (R)	Repère (R)	Segno (R)
⑪	(L) mark	Markierung (L)	Repère (L)	Segno (L)
⑫	Depth gauge	Tiefenlehre	Jauge de profondeur	Calibro di profondità
⑬	Change lever	Umschalthebel	Levier de changement	Leva di cambiamento
⑭	Impact	Schlagbohre	Percussion	Impatto
⑮	Rotation	Bohren	Rotation	Rotazione
⑯	Gear shift dial	Gangschaltscheibe	Bouton de changement de vitesse	Regolazione di velocità
⑰	Speed control dial	Drehzahlskala	Molette de commande de la vitesse	Comando di velocità
⑱	High speed	Hohe Drehzahl	Vitesse élevée	Alta velocità
⑲	Low speed	Niedrige Drehzahl	Petite vitesse	Bassa velocità
⑳	Stopper	Stopper	Butée	Fermo

	Nederlands	Español	Português	Ελληνικά
①	Boorkop	Portabrocas	Mandril	Σφικτήρας δραπάνου
②	Boorkopsleutel	Llave	Chave do mandril	Κλειδί σφικτήρα
③	Aandraaien	Apretar	Apertar	Σφίξτε
④	Losdraaien	Aflojar	Afrouxar	Χαλαρώστε
⑤	Klembus	Manguito	Manguito	Συνδετικός δακτύλιος
⑥	Borgring	Anillo de retención	Anel de retenção	Δακτύλιος συγκράτησης
⑦	Zijhendel	Asa lateral	Empunhadura lateral	Πλευρική λαβή
⑧	Trekkerschakelaar	Interruptor de gatillo	Interruptor de gatilho	Σκανδάλη διακόπτης
⑨	Drukknop	Botón pulsador	Botão-interruptor	Κουμπί ώθησης
⑩	(R) merkteken	Marca (R)	Marca (R)	(R) σημάδι
⑪	(L) merkteken	Marca (L)	Marca (L)	(L) σημάδι
⑫	Dieptemeter	Calibrador de profundidad	Sonda	Μετρητής βάθους
⑬	Wisselhendel	Palanca de cambio	Seletor	Μοχλός αλλαγής
⑭	Slagboor	Impacto	Impacto	Κρούση
⑮	Rotatie	Rotación	Rotação	Περιστροφή
⑯	Toerentalkiezer	Dial de cambio	Botão de engrenagem	Καντράν αλλαγής ταχύτητας
⑰	Toerentalregeling	Dial de control de velocidad	Dial de controle de velocidade	Καντράν ελέγχου ταχύτητας
⑱	Hoog toerental	Alta velocidad	rotação	Υψηλή ταχύτητα
⑲	Laag toerental	Baja velocidad	Baixa rotação	Χαμηλή ταχύτητα
⑳	Stopper	Tope	Obturador	Στόπερ

	<p><b>Symbols</b>  <b>⚠ WARNING</b>  The following show symbols used for the machine. Be sure that you understand their meaning before use.</p>	<p><b>Symbole</b>  <b>⚠ WARNUNG</b>  Die folgenden Symbole werden für diese Maschine verwendet. Achten Sie darauf, diese vor der Verwendung zu verstehen.</p>	<p><b>Symboles</b>  <b>⚠ AVERTISSEMENT</b>  Les symboles suivants sont utilisés pour l'outil. Bien se familiariser avec leur signification avant d'utiliser l'outil.</p>	<p><b>Simboli</b>  <b>⚠ AVVERTENZA</b>  Di seguito mostriamo i simboli usati per la macchina. Assicurarsi di comprenderne il significato prima dell'uso.</p>
	<p><b>Read all safety warnings and all instructions.</b>  Failure to follow the warnings and instructions may result in electric shock, fire and/or serious injury.</p>	<p><b>Lesen Sie sämtliche Sicherheitshinweise und Anweisungen durch.</b>  Wenn die Warnungen und Anweisungen nicht befolgt werden, kann es zu Stromschlag, Brand und/oder ernsthaften Verletzungen kommen.</p>	<p><b>Lire tous les avertissements de sécurité et toutes les instructions.</b>  Tout manquement à observer ces avertissements et instructions peut engendrer des chocs électriques, des incendies et/ou des blessures graves.</p>	<p><b>Leggere tutti gli avvertimenti di sicurezza e tutte le istruzioni.</b>  La mancata osservanza degli avvertimenti e delle istruzioni potrebbe essere causa di scosse elettriche, incendi e/o gravi lesioni.</p>
	<p>Only for EU countries  Do not dispose of electric tools together with household waste material!  In observance of European Directive 2002/96/EC on waste electrical and electronic equipment and its implementation in accordance with national law, electric tools that have reached the end of their life must be collected separately and returned to an environmentally compatible recycling facility.</p>	<p>Nur für EU-Länder  Werfen Sie Elektrowerkzeuge nicht in den Hausmüll!  Gemäss Europäischer Richtlinie 2002/96/EG über Elektro- und Elektronik-Altgeräte und Umsetzung in nationales Recht müssen verbrauchte Elektrowerkzeuge getrennt gesammelt und einer umweltgerechten Wiederverwertung zugeführt werden.</p>	<p>Pour les pays européens uniquement  Ne pas jeter les appareils électriques dans les ordures ménagères!  Conformément à la directive européenne 2002/96/EG relative aux déchets d'équipements électriques ou électroniques (DEEE), et à sa transposition dans la législation nationale, les appareils électriques doivent être collectés à part et être soumis à un recyclage respectueux de l'environnement.</p>	<p>Solo per Paesi UE  Non gettare le apparecchiature elettriche tra i rifiuti domestici.  Secondo la Direttiva Europea 2002/96/CE sui rifiuti di apparecchiature elettriche ed elettroniche e la sua attuazione in conformità alle norme nazionali, le apparecchiature elettriche esauste devono essere raccolte separatamente, al fine di essere reimpiegate in modo eco-compatibile.</p>
	<p><b>Symboelen</b>  <b>⚠ WAARSCHUWING</b>  Hieronder staan symbolen afgebeeld die van toepassing zijn op deze machine. U moet de betekenis hiervan begrijpen voor gebruik.</p>	<p><b> Símbolos</b>  <b>⚠ ADVERTENCIA</b>  A continuación se muestran los símbolos usados para la máquina. Asegúrese de comprender su significado antes del uso.</p>	<p><b> Símbolos</b>  <b>⚠ AVISO</b>  A seguir aparecem os símbolos utilizados pela máquina. Assimile bem seus significados antes do uso.</p>	<p><b>Σύμβολα</b>  <b>⚠ ΠΡΟΣΟΧΗ</b>  Τα παρακάτω δείχνουν τα σύμβολα που χρησιμοποιούνται στο μηχανήμα. Βεβαιωθείτε ότι κατανοείτε τη σημασία τους πριν τη χρήση.</p>
	<p><b>Lees alle waarschuwingen en instructies aandachtig door.</b>  Nalating om de waarschuwingen en instructies op te volgen kan in een elektrische schok, brand en/of ernstig letsel resulteren.</p>	<p><b>Lea todas las instrucciones y advertencias de seguridad.</b>  Si no se siguen las advertencias e instrucciones, podría producirse una descarga eléctrica, un incendio y/o daños graves.</p>	<p><b>Leia todas as instruções e avisos de segurança.</b>  Se não seguir todas as instruções e os avisos, pode provocar um choque eléctrico, incêndio e/ou ferimentos graves.</p>	<p><b>Διαβάστε όλες τις προειδοποιήσεις ασφαλείας και όλες τις οδηγίες.</b>  Η μη τήρηση των προειδοποιήσεων και οδηγιών μπορεί να προκαλέσει ηλεκτροπληξία, πυρκαγιά και/ή σοβαρό τραυματισμό.</p>
	<p>Alleen voor EU-landen  Geef elektrisch gereedschap niet met het huisvuil mee!  Volgens de Europese richtlijn 2002/96/EG inzake oude elektrische en elektronische apparaten en de toepassing daarvan binnen de nationale wetgeving, dient gebruikt elektrisch gereedschap gescheiden te worden ingezameld en te worden afgevoerd naar een recycle bedrijf dat voldoet aan de geldende milieu-eisen.</p>	<p>Sólo para países de la Unión Europea  ¡No deseches los aparatos eléctricos junto con los residuos domésticos!  De conformidad con la Directiva Europea 2002/96/CE sobre residuos de aparatos eléctricos y electrónicos y su aplicación de acuerdo con la legislación nacional, las herramientas eléctricas cuya vida útil haya llegado a su fin se deberán recoger por separado y trasladar a una planta de reciclaje que cumpla con las exigencias ecológicas.</p>	<p>Apenas para países da UE  Não deite ferramentas eléctricas no lixo doméstico!  De acordo com a directiva europeia 2002/96/CE sobre ferramentas eléctricas e electrónicas usadas e a transposição para as leis nacionais, as ferramentas eléctricas usadas devem ser recolhidas em separado e encaminhadas a uma instalação de reciclagem dos materiais ecológica.</p>	<p>Μόνο για τις χώρες της ΕΕ  Μην πετάτε τα ηλεκτρικά εργαλεία στον κάδο οικιακών απορριμμάτων!  Σύμφωνα με την ευρωπαϊκή οδηγία 2002/96/ΕΚ περί ηλεκτρικών και ηλεκτρονικών συσκευών και την ενσωμάτωσή της στο εθνικό δίκαιο, τα ηλεκτρικά εργαλεία πρέπει να συλλέγονται ξεχωριστά και να επιστρέφονται για ανακύκλωση με τρόπο φιλικό προς το περιβάλλον.</p>

## GENERAL POWER TOOL SAFETY WARNINGS

### WARNING

Read all safety warnings and all instructions.

Failure to follow the warnings and instructions may result in electric shock, fire and/or serious injury.

Save all warnings and instructions for future reference.

The term "power tool" in the warnings refers to your mains-operated (corded) power tool or battery-operated (cordless) power tool.

#### 1) Work area safety

- a) **Keep work area clean and well lit.**  
*Cluttered or dark areas invite accidents.*
- b) **Do not operate power tools in explosive atmospheres, such as in the presence of flammable liquids, gases or dust.**  
*Power tools create sparks which may ignite the dust or fumes.*
- c) **Keep children and bystanders away while operating a power tool.**  
*Distractions can cause you to lose control.*

#### 2) Electrical safety

- a) **Power tool plugs must match the outlet. Never modify the plug in any way. Do not use any adapter plugs with earthed (grounded) power tools.**  
*Unmodified plugs and matching outlets will reduce risk of electric shock.*
- b) **Avoid body contact with earthed or grounded surfaces, such as pipes, radiators, ranges and refrigerators.**  
*There is an increased risk of electric shock if your body is earthed or grounded.*
- c) **Do not expose power tools to rain or wet conditions.**  
*Water entering a power tool will increase the risk of electric shock.*
- d) **Do not abuse the cord. Never use the cord for carrying, pulling or unplugging the power tool. Keep cord away from heat, oil, sharp edges or moving parts.**  
*Damaged or entangled cords increase the risk of electric shock.*
- e) **When operating a power tool outdoors, use an extension cord suitable for outdoor use.**  
*Use of a cord suitable for outdoor use reduces the risk of electric shock.*
- f) **If operating a power tool in a damp location is unavoidable, use a residual current device (RCD) protected supply.**  
*Use of an RCD reduces the risk of electric shock.*

#### 3) Personal safety

- a) **Stay alert, watch what you are doing and use common sense when operating a power tool. Do not use a power tool while you are tired or under the influence of drugs, alcohol or medication.**  
*A moment of inattention while operating power tools may result in serious personal injury.*
- b) **Use personal protective equipment. Always wear eye protection.**  
*Protective equipment such as dust mask, non-skid safety shoes, hard hat, or hearing protection used for appropriate conditions will reduce personal injuries.*
- c) **Prevent unintentional starting. Ensure the switch is in the off-position before connecting to power source and/or battery pack, picking up or carrying the tool.**

*Carrying power tools with your finger on the switch or energising power tools that have the switch on invites accidents.*

- d) **Remove any adjusting key or wrench before turning the power tool on.**  
*A wrench or a key left attached to a rotating part of the power tool may result in personal injury.*
- e) **Do not overreach. Keep proper footing and balance at all times.**  
*This enables better control of the power tool in unexpected situations.*
- f) **Dress properly. Do not wear loose clothing or jewellery. Keep your hair, clothing and gloves away from moving parts.**  
*Loose clothes, jewellery or long hair can be caught in moving parts.*
- g) **If devices are provided for the connection of dust extraction and collection facilities, ensure these are connected and properly used.**  
*Use of dust collection can reduce dust related hazards.*

#### 4) Power tool use and care

- a) **Do not force the power tool. Use the correct power tool for your application.**  
*The correct power tool will do the job better and safer at the rate for which it was designed.*
- b) **Do not use the power tool if the switch does not turn it on and off.**  
*Any power tool that cannot be controlled with the switch is dangerous and must be repaired.*
- c) **Disconnect the plug from the power source and/or the battery pack from the power tool before making any adjustments, changing accessories, or storing power tools.**  
*Such preventive safety measures reduce the risk of starting the power tool accidentally.*
- d) **Store idle power tools out of the reach of children and do not allow persons unfamiliar with the power tool or these instructions to operate the power tool. Power tools are dangerous in the hands of untrained users.**
- e) **Maintain power tools. Check for misalignment or binding of moving parts, breakage of parts and any other condition that may affect the power tool's operation. If damaged, have the power tool repaired before use. Many accidents are caused by poorly maintained power tools.**
- f) **Keep cutting tools sharp and clean.**  
*Properly maintained cutting tools with sharp cutting edges are less likely to bind and are easier to control.*
- g) **Use the power tool, accessories and tool bits etc. in accordance with these instructions, taking into account the working conditions and the work to be performed.**  
*Use of the power tool for operations different from those intended could result in a hazardous situation.*

#### 5) Service

- a) **Have your power tool serviced by a qualified repair person using only identical replacement parts.**  
*This will ensure that the safety of the power tool is maintained.*

### PRECAUTION

Keep children and infirm persons away.

When not in use, tools should be stored out of reach of children and infirm persons.

## IMPACT DRILL SAFETY WARNINGS

- Wear ear protectors with impact drills.**  
Exposure to noise can cause hearing loss.
- Use auxiliary handles supplied with the tool.**  
Loss of control can cause personal injury.
- Before drilling into walls, ceilings or floors, ensure that there are no concealed power cables inside.
- Always use side handle and hold the tool firmly with both hands.
- Always use the impact drill with clockwise rotation, when using it as an impact drill. (Fig. 10)

## SPECIFICATIONS

Voltage (by areas)*	(110V, 220V, 230V, 240V) ~	
Power input	690 W*	
Speed change	1	2
No load speed	Forward rotation	0 – 1000 min <sup>-1</sup>
	Reverse rotation	0 – 600 min <sup>-1</sup>
Capacity	Steel	13 mm
	Concrete	18 mm
	Wood	40 mm
Full load impact rate	8400 min <sup>-1</sup>	27300 min <sup>-1</sup>
Weight (without cord)	2.0 kg	

\*Be sure to check the nameplate on product as it is subject to change by areas.

## STANDARD ACCESSORIES

- Chuck Wrench (Spec. only for keyed chuck) ..... 1
  - Side Handle ..... 1
  - Depth Gauge ..... 1
- Standard accessories are subject to change without notice.

## OPTIONAL ACCESSORIES (sold separately)

- Impact Drill Bit (for concrete)  
3.2 mm – 18 mm dia.
- Optional accessories are subject to change without notice.

## APPLICATIONS

- By combined actions of ROTATION and IMPACT:  
Boring holes in hard materials (concrete, marble, granite, tiles, etc.)
- By ROTATIONAL action:  
Boring holes in metal, wood and plastic.

## PRIOR TO OPERATION

- Power source**  
Ensure that the power source to be utilized conforms to the power requirements specified on the product nameplate.
- Power switch**  
Ensure that the power switch is in the OFF position. If the plug is connected to a receptacle while the power switch is in the ON position, the power tool will start operating immediately, inviting serious accident.
- Extension cord**  
When the work area is removed from the power source, use an extension cord of sufficient thickness and rated capacity. The extension cord should be kept as short as practicable.
- Selecting the appropriate drill bit**
  - When boring concrete or stone  
Use the drill bits specified in the Optional Accessories.
  - When boring metal or plastic  
Use an ordinary metalworking drill bit.
  - When boring wood  
Use an ordinary woodworking drill bit.  
However, when drilling 6.5 mm or smaller holes, use a metalworking drill bit.
- Mounting and dismounting of the bit.**  
**For keyed chuck (Fig. 1)**
  - Open the chuck jaws, and insert the bit into the chuck.
  - Place the chuck wrench in each of the three holes in the chuck, and turn it in the clockwise direction (viewed from the front side). Tighten securely.
  - To remove the bit, place the chuck wrench into one of the holes in the chuck and turn it in the counterclockwise direction.**For keyless chuck (Fig. 2)**
  - Mounting the bit  
Turn the sleeve counterclockwise and open the chuck. After inserting the drill bit into the chuck as far it will go, grip the retaining ring and close the chuck by turning the sleeve clockwise as viewed from the front.
  - Dismounting the bit  
Grip the retaining ring and open the chuck by turning the sleeve counterclockwise.

### NOTE

When the sleeve does not become loose any further, fix the side handle to retaining ring, hold side handle firmly, then turn the sleeve to loosen by hand. (Fig. 3)

### 6. Check the rotational direction (Fig. 4)

The bit rotates clockwise (viewed from the rear side) by pushing the R-side of the push button.

The L-side of the push button is pushed to turn the bit counterclockwise.

(The (L) and (R) marks are provided on the body.)

## CAUTION

Always use the impact drill with clockwise rotation, when using it as an impact drill.

### 7. Fixing the side handle (Fig. 5)

Attach the side handle to the mounting part. Rotate the side handle grip in a clockwise direction to secure it.

Set the side handle to a position that is suited to the operation and then securely tighten the side handle grip.

To attach a depth gauge on the side handle, insert the gauge into the U-shaped groove on the side handle, adjust the position of the depth gauge in accordance with the desired depth of the hole, and firmly tighten the side handle grip. (Fig. 6)

### 8. IMPACT to ROTATION changeover (Fig. 7)

Shift the change lever between the right and left positions to switch easily between IMPACT (rotation and impact) and ROTATION (rotation only), respectively.

To bore holes in hard materials such as concrete, stone and tiles, shift the change lever to the right-hand position (as indicated by the **T** mark).

The drill bit operates by the combined actions of impact and rotation.

To bore holes in metal, wood and plastic, shift the change lever to the left-hand position (as indicated by the **I** mark). The drill bit operates by rotational action only, as in the case of a conventional electric drill.

## CAUTION

- Do not use the Impact Drill in the IMPACT function if the material can be bored by rotation only. Such action will not only reduce drill efficiency, but may also damage the drill tip.
- Operating the Impact Drill with the change lever in mid-position may result in damage. When switching, make sure that you shift the change lever to the correct position.

### 9. High-speed/Low-speed changeover:

Prior to changing speed, ensure that the switch is in the OFF position, and the drill has come to a complete stop.

To change speed, rotate the gear shift dial as indicated by the arrow in Fig. 8. The numeral "1" engraved on the drill body denotes low speed, the numeral "2" denotes high speed.

If it is hard to turn the gear shift dial, turn the chuck slightly in either direction and then turn the gear shift dial again.

## HOW TO USE

### 1. Switch operation

- When the trigger is depressed, the tool rotates. When the trigger is released, the tool stops.
- The rotational speed of the drill can be controlled by varying the amount that the trigger switch is pulled. Speed is low when the trigger switch is pulled slightly and increases as the trigger switch is pulled more.
- The desired rotation speed can be pre-selected with the speed control dial.

Turn the speed control dial clockwise for higher speed and counterclockwise for lower speed. (Fig. 9)

- Pulling the trigger and pushing the stopper, it keeps the switched-on condition which is convenient for continuous running. When switching off, the stopper can be disconnected by pulling the trigger again.

## CAUTION

If the L-side of push button is pressed for reverse bit rotation, the stopper cannot be used.

### 2. Drilling

- When drilling, start the drill slowly, and gradually increasing speed as you drill.
- Always apply pressure in a straight line with the bit. Use enough pressure to keep drilling, but do not push hard enough to stall the motor or deflect the bit.
- To minimize stalling or breaking through the material, reduce pressure on drill and ease the bit through the last part of the hole.
- If the drill stalls, release the trigger immediately, remove the bit from the work and start again. Do not click the trigger on and off in an attempt to start a stalled drill. This can damage the drill.
- The larger the drill bit diameter, the larger the reactive force on your arm.

Be careful not to lose control of the drill because of this reactive force.

To maintain firm control, establish a good foothold, use side handle, hold the drill tightly with both hands, and ensure that the drill is vertical to the material being drilled.

## MAINTENANCE AND INSPECTION

### 1. Inspecting the drill bits

Since use of an abraded drill bits will cause motor malfunctioning and degraded efficiency, replace the drill bits with a new one or resharpening without delay when abrasion is noted.

### 2. Inspecting the mounting screws

Regularly inspect all mounting screws and ensure that they are properly tightened. Should any of the screws be loose, retighten them immediately. Failure to do so could result in serious hazard.

### 3. Maintenance of the motor

The motor unit winding is the very "heart" of the power tool. Exercise due care to ensure the winding does not become damaged and/or wet with oil or water.

### 4. Inspecting the carbon brushes

For your continued safety and electrical shock protection, carbon brush inspection and replacement on this tool should ONLY be performed by a Hitachi Authorized Service Center.

### 5. Replacing supply cord

If the supply cord of Tool is damaged, the Tool must be returned to Hitachi Authorized Service Center for the cord to be replaced.

### 6. Service parts list

- A: Item No.
- B: Code No.
- C: No. Used
- D: Remarks

## CAUTION

Repair, modification and inspection of Hitachi Power Tools must be carried out by a Hitachi Authorized Service Center.



This Parts List will be helpful if presented with the tool to the Hitachi Authorized Service Center when requesting repair or other maintenance.

In the operation and maintenance of power tools, the safety regulations and standards prescribed in each country must be observed.

#### MODIFICATION

Hitachi Power Tools are constantly being improved and modified to incorporate the latest technological advancements.

Accordingly, some parts (i.e. code numbers and/or design) may be changed without prior notice.

#### GUARANTEE

We guarantee Hitachi Power Tools in accordance with statutory/country specific regulation. This guarantee does not cover defects or damage due to misuse, abuse, or normal wear and tear. In case of complaint, please send the Power Tool, undismantled, with the GUARANTEE CERTIFICATE found at the end of this Handling instruction, to a Hitachi Authorized Service Center.

#### NOTE

Due to HITACHI's continuing program of research and development, the specifications herein are subject to change without prior notice.

#### IMPORTANT

##### Correct connection of the plug

The wires of the mains lead are coloured in accordance with the following code:

Blue:- Neutral

Brown:- Live

As the colours of the wires in the mains lead of this tool may not correspond with the coloured markings identifying the terminals in your plug proceed as follows: The wire coloured blue must be connected to the terminal marked with the letter N or coloured black.

The wire coloured brown must be connected to the terminal marked with the letter L or coloured red.

Neither core must be connected to the earth terminal.

#### NOTE

This requirement is provided according to BRITISH STANDARD 2769: 1984.

Therefore, the letter code and colour code may not be applicable to other markets except United Kingdom.

#### Information concerning airborne noise and vibration

The measured values were determined according to EN60745 and declared in accordance with ISO 4871.

Measured A-weighted sound power level: 110 dB (A).

Measured A-weighted sound pressure level: 99 dB (A).

Uncertainty KpA: 3 dB (A).

Wear hearing protection.

Vibration total values (triax vector sum) determined according to EN60745.

Impact drilling into concrete:

Vibration emission value **a<sub>h, ID</sub>** = 16.0 m/s<sup>2</sup>

Uncertainty K = 1.8 m/s<sup>2</sup>

#### WARNING

- The vibration emission value during actual use of the power tool can differ from the declared value depending on the ways in which the tool is used.
- To identify the safety measures to protect the operator that are based on an estimation of exposure in the actual conditions of use (taking account of all parts of the operating cycle such as the times when the tool is switched off and when it is running idle in addition to the trigger time).

## ALLGEMEINE SICHERHEITSHINWEISE FÜR ELEKTROGERÄTE

### WARNUNG

Lesen Sie sämtliche Sicherheitshinweise und Anweisungen durch. Wenn die Warnungen und Anweisungen nicht befolgt werden, kann es zu Stromschlag, Brand und/oder ernsthaften Verletzungen kommen.

Bitte bewahren Sie alle Warnhinweise und Anweisungen zum späteren Nachschlagen auf.

Der Begriff „Elektrowerkzeug“ bezieht sich in den Warnhinweisen auf Elektrowerkzeuge mit Netz- (schnurgebunden) oder Akkubetrieb (schnurlos).

#### 1) Sicherheit im Arbeitsbereich

- a) Sorgen Sie für einen sauberen und gut ausgeleuchteten Arbeitsbereich.

*Zugestellte oder dunkle Bereiche ziehen Unfälle förmlich an.*

- b) Verwenden Sie Elektrowerkzeuge niemals an Orten, an denen Explosionsgefahr besteht – zum Beispiel in der Nähe von leicht entflammaren Flüssigkeiten, Gasen oder Stäuben.

*Bei der Arbeit mit Elektrowerkzeugen kann es zu Funkenbildung kommen, wodurch sich Stäube oder Dämpfe entzünden können.*

- c) Sorgen Sie bei der Arbeit mit Elektrowerkzeugen dafür, dass sich keine Zuschauer (insbesondere Kinder) in der Nähe befinden.

*Wenn Sie abgelenkt werden, können Sie die Kontrolle über das Werkzeug verlieren.*

#### 2) Elektrische Sicherheit

- a) Elektrowerkzeuge müssen mit passender Stromversorgung betrieben werden.

*Nehmen Sie niemals irgendwelche Änderungen am Anschlussstecker vor.*

*Verwenden Sie bei Elektrowerkzeugen mit Schutzkontakt (geerdet) niemals Adapterstecker. Stecker im Originalzustand und passende Steckdosen reduzieren das Stromschlagrisiko.*

- b) Vermeiden Sie Körperkontakt mit geerdeten Gegenständen wie Rohrleitungen, Heizungen, Herden oder Kühlschränken.

*Bei Körperkontakt mit geerdeten Gegenständen besteht ein erhöhtes Stromschlagrisiko.*

- c) Setzen Sie Elektrowerkzeuge niemals Regen oder sonstiger Feuchtigkeit aus.

*Wenn Flüssigkeiten in ein Elektrowerkzeug eindringen, erhöht sich das Stromschlagrisiko.*

- d) Verwenden Sie die Anschlusschnur nicht missbräuchlich. Tragen Sie das Elektrowerkzeug niemals an der Anschlusschnur, ziehen Sie es nicht damit heran und ziehen Sie den Stecker nicht an der Anschlusschnur aus der Steckdose.

*Halten Sie die Anschlusschnur von Hitzequellen, Öl, scharfen Kanten und beweglichen Teilen fern. Beschädigte oder verdrehte Anschlusschnüre erhöhen das Stromschlagrisiko.*

- e) Wenn Sie ein Elektrowerkzeug im Freien benutzen, verwenden Sie ein für den Außeneinsatz geeignetes Verlängerungskabel.

*Ein für den Außeneinsatz geeignetes Kabel vermindert das Stromschlagrisiko.*

- f) Falls sich der Betrieb des Elektrowerkzeuges in feuchter Umgebung nicht vermeiden lässt, verwenden Sie eine Stromversorgung mit Fehlerstromschutzeinrichtung (Residual Current Device, RCD).

*Durch den Einsatz einer Fehlerstromschutzeinrichtung wird das Risiko eines elektrischen Schlages reduziert.*

#### 3) Persönliche Sicherheit

- a) Bleiben Sie wachsam, achten Sie auf das, was Sie tun, und setzen Sie Ihren Verstand ein, wenn Sie mit Elektrowerkzeugen arbeiten.

*Benutzen Sie keine Elektrowerkzeuge, wenn Sie müde sind oder unter Einfluss von Drogen, Alkohol oder Medikamenten stehen.*

*Bei der Arbeit mit Elektrowerkzeugen können bereits kurze Phasen der Unaufmerksamkeit zu schweren Verletzungen führen.*

- b) Benutzen Sie eine persönliche Schutzausrüstung. Tragen Sie immer einen Augenschutz.

*Schutzausrüstung wie Staubmaske, rutschsichere Sicherheitsschuhe, Schutzhelm und Gehörschutz senken das Verletzungsrisiko bei angemessenem Einsatz.*

- c) Vermeiden Sie unbeabsichtigten Anlauf. Achten Sie darauf, dass sich der Schalter in der Aus- (Off-) Position befindet, ehe Sie das Gerät mit der Stromversorgung und/oder Batteriestromversorgung verbinden, es aufheben oder herumtragen.

*Das Herumtragen von Elektrowerkzeugen mit dem Finger am Schalter oder das Herstellen der Stromversorgung bei betätigtem Schalter zieht Unfälle regelrecht an.*

- d) Entfernen Sie sämtliche Einstellwerkzeuge (Einstellschlüssel), ehe Sie das Elektrowerkzeug einschalten.

*Ein an einem beweglichen Teil des Elektrowerkzeugs angebrachter Schlüssel kann zu Verletzungen führen.*

- e) Sorgen Sie für einen festen Stand. Achten Sie jederzeit darauf, sicher zu stehen und das Gleichgewicht zu bewahren.

*Dadurch haben Sie das Elektrowerkzeug in unerwarteten Situationen besser im Griff.*

- f) Kleiden Sie sich richtig. Tragen Sie keine lose Kleidung oder Schmuck. Halten Sie Haar, Kleidung und Handschuhe von beweglichen Teilen fern.

*Lose Kleidung, Schmuck oder langes Haar kann von beweglichen Teilen erfasst werden.*

- g) Wenn Anschlüsse für Staubabsaug- und -sammelvorrichtungen vorhanden sind, sorgen Sie dafür, dass diese richtig angeschlossen und eingesetzt werden.

*Durch Entfernen des Staubes können staubbezogene Gefahren vermindert werden.*

#### 4) Einsatz und Pflege von Elektrowerkzeugen

- a) Überansprechen Sie Elektrowerkzeuge nicht. Benutzen Sie das richtige Elektrowerkzeug für Ihren Einsatzzweck.

*Das richtige Elektrowerkzeug erledigt seine Arbeit bei bestimmungsgemäßem Einsatz besser und sicherer.*

- b) Benutzen Sie das Elektrowerkzeug nicht, wenn es sich nicht am Schalter ein- und ausschalten lässt.

*Jedes Elektrowerkzeug, das nicht mit dem Schalter betätigt werden kann, stellt eine Gefahr dar und muss repariert werden.*

- c) Stecken Sie den Stecker der Stromversorgung oder Batteriestromversorgung vom Gerät ab, ehe Sie Einstellarbeiten vornehmen, Zubehörteile tauschen oder das Elektrowerkzeug verstauen.

*Solche präventiven Sicherheitsmaßnahmen verhindern den unbeabsichtigten Anlauf des Elektrowerkzeugs und die damit verbundenen Gefahren.*

- d) Lagern Sie nicht benutzte Elektrowerkzeuge außerhalb der Reichweite von Kindern, lassen Sie nicht zu, dass Personen das Elektrowerkzeug bedienen, die nicht mit dem Werkzeug selbst und/oder diesen Anweisungen vertraut sind.

*Elektrowerkzeuge in ungeschulten Händen sind gefährlich. Halten Sie Elektrowerkzeuge in Stand. Prüfen Sie auf Fehlausrichtungen, sicheren Halt und Leichtgängigkeit beweglicher Teile, Beschädigungen von Teilen und auf jegliche andere Zustände, die sich auf den Betrieb des Elektrowerkzeugs auswirken können.*

Bei Beschädigungen lassen Sie das Elektrowerkzeug reparieren, ehe Sie es benutzen.

Viele Unfälle mit Elektrowerkzeugen sind auf schlechte Wartung zurückzuführen.

f) Halten Sie Schneidwerkzeuge scharf und sauber. Richtig gewartete Schneidwerkzeuge mit scharfen Schneidkanten bleiben weniger häufig hängen und sind einfacher zu beherrschen.

g) Benutzen Sie Elektrowerkzeuge, Zubehör, Werkzeugspitzen und Ähnliches in Übereinstimmung mit diesen Anweisungen – beachten Sie dabei die jeweiligen Arbeitsbedingungen und die Art und Weise der auszuführenden Arbeiten.

Der Gebrauch des Elektrowerkzeuges für andere als die vorgesehenen Anwendungen kann zu gefährlichen Situationen führen.

5) Service

a) Lassen Sie Elektrowerkzeuge durch qualifizierte Fachkräfte und unter Einsatz passender, zugelassener Originalteile warten.

Dies sorgt dafür, dass die Sicherheit des Elektrowerkzeuges nicht beeinträchtigt wird.

**VORSICHT**

Von Kindern und gebrechlichen Personen fernhalten.

Werkzeuge sollten bei Nichtgebrauch außerhalb der Reichweite von Kindern und gebrechlichen Personen aufbewahrt werden.

**TECHNISCHE DATEN**

Spannung (je nach Gebiet)*		(110V, 220V, 230V, 240V) ~	
Leistungsaufnahme		690 W*	
Geschwindigkeitsstufen		1	2
Leerlaufdrehzahl	Vorwärtsdrehung	0 – 1000 min <sup>-1</sup>	0 – 3000 min <sup>-1</sup>
	Rückwärtsdrehung	0 – 600 min <sup>-1</sup>	0 – 1800 min <sup>-1</sup>
Kapazität	Stahl	13 mm	8 mm
	Beton	18 mm	13 mm
	Holz	40 mm	25 mm
Vollastschlagzahl		8400 min <sup>-1</sup>	27300 min <sup>-1</sup>
Gewicht (ohne Kabel)		2,0 kg	

\*Vergessen Sie nicht, die Produktangaben auf dem Typenschild zu überprüfen, da sich diese je nach Verkaufsgebiet ändern.

**STANDARDZUBEHÖR**

- (1) Bohrfutterschlüssel (Spez. nur für Zahnkranz-Bohrfutter) ..... 1
- (2) Handgriff ..... 1
- (3) Tiefenlehre ..... 1

Das Standardzubehör kann ohne vorherige Bekanntmachung jederzeit geändert werden.

**SONDERZUBEHÖR (separat zu beziehen)**

- (1) Schlagbohrer (für Beton)  
3,2 mm bis 18 mm Durchmesser  
Das sonderzubehör kann ohne vorherige Bekanntmachung jederzeit geändert werden.

**ANWENDUNGEN**

- Kombiniertes Betrieb von DREHUNG und STOSS:  
Bohren von Löchern in harten Flächen (Beton, Marmor, Granit, Kachel, etc.)

**SICHERHEITSHINWEISE FÜR DIE BENUTZUNG DES SCHLAGBOHRMASCHINE**

1. **Tragen Sie bei der Arbeit mit Schlagbohrmaschinen einen Gehörschutz.**

Starke und/oder dauerhafte Lärmbelastung kann zu Hörverlust führen.

2. **Benutzen Sie die mit dem Werkzeug gelieferten Zusatzgriffe.**

Wenn Sie die Kontrolle über das Werkzeug verlieren, kann es zu Verletzungen kommen.

3. **Bevor man in Wände, in Decken oder Boden bohrt, muß man sich davon überzeugen, daß keine elektrischen Kabel oder Kabelrohre darunter liegen.**

4. **Benutzen Sie immer den seitlichen Griff und halten Sie das Werkzeug mit beiden Händen gut fest.**

5. **Immer den Schlagbohrschrauber im Uhrzeigersinn betätigen, wenn er als Stoßbohrer gebraucht wird. (Abb. 10)**

- Betrieb durch einfache DREHUNG:  
Bohren von Löchern in Metall, Holz und plastisches Material.

**VOR INBETRIEBNAHME**

1. **Netzspannung**  
Prüfen, daß die zu verwendende Netzspannung der Angabe auf dem Typenschild entspricht.

2. **Netzschalter**  
Prüfen, daß der Netzschalter auf "AUS" steht. Wenn der Stecker an das Netz angeschlossen ist, Während der Schalter auf "EIN" steht, beginnt das Werkzeug sofort zu laufen und bedeutet ernsthaftes Gefahr.

3. **Verlängerungskabel**  
Wenn der Arbeitsbereich nicht in der Nähe des Netzanschlusses liegt, ist ein Verlängerungskabel ausreichenden Querschnitts und ausreichender Nennleistung zu verwenden. Das Verlängerungskabel sollte so kurz wie möglich gehalten werden.

## 4. Wahl des geeigneten Bohrers

- Beim Bohren von Beton oder Stein  
Die unter Sonderzubehör aufgeführten Bohrer verwenden.
- Beim Bohren von Metall oder Kunststoff  
Einen normalen Metallbohrer verwenden.
- Beim Bohren von Holz  
Einen normalen Holzspiralbohrer verwenden. Für Löcher von 6,5 mm oder kleiner wird ein Metallbohrer verwendet.

## 5. Anbringen und Abnehmen der Werkzeugschneide

### Für Zahnkranz-Bohrfutter (Abb. 1)

- (1) Öffnen Sie die Spannbacken des Futter und schieben Sie den Bohrer in das Futter.
- (2) Schieben Sie den Futterschlüssel in jedes der drei Löcher des Spannfutters ein und drehen Sie den Schlüssel im Uhrzeigersinn (von der Vorderseite her gesehen). Ziehen Sie fest an.
- (3) Schieben Sie zum Entfernen des Bohrers den Futterschlüssel in eins der Löcher des Spannfutters und drehen Sie ihn gegen den Uhrzeigersinn.

### Für ein schlüsselfreies Spannfutter (Abb. 2)

- (1) Anbringen des Bohrers  
Die Futterbuchse gegen den Uhrzeigersinn drehen und das Futter öffnen. Den Bohrer bis zum Anschlag in das Futter schieben, den Haltering fassen und das Futter durch Drehen der Futterbuchse von vorne gesehen im Uhrzeigersinn schließen.
- (2) Entfernen des Bohrers  
Den Haltering fassen und das Futter durch Drehen der Futterbuchse gegen den Uhrzeigersinn öffnen.

### HINWEIS:

Wenn sich die Futterbuchse nicht weiter lockern läßt, so fixieren Sie den Seitengriff am Haltering, halten Sie den Seitengriff fest, und drehen Sie dann die Futterbuchse, um sie von Hand zu lösen. (Abb. 3)

## 6. Überprüfen der Drehrichtung (Abb. 4)

Der Bohrer dreht sich im Uhrzeigersinn (gesehen von hinten), Wenn die R-Seite des Druckknopfes gedrückt wird. Wenn die L-Seite des Bohrers gedrückt wird, dreht sich der Bohrer gegen den Uhrzeigersinn. (Die Markierungen (L) und (R) befinden sich auf dem Körper der Bohrmaschine.)

### VORSICHT

Immer den Schlagbohrschrauber im Uhrzeigersinn betätigen, wenn er als Stoßbohrer gebraucht wird.

## 7. Anbringen des Handgriffes (Abb. 5)

Den Handgriff an der Haltering anbringen. Den Griff des Handgriffs zum Befestigen im Uhrzeigersinn drehen.

Den Handgriff in eine Position stellen, die der Bedienung angemessen ist, und dann den Handgriff sicher befestigen. Zum Anbringen des Tiefenanschlages am Handgriff die Anschlagstange in die U-förmige Rille des Handgriffs einsetzen, den Tiefenanschlag auf die gewünschte Lochtiefe einstellen und den Seitenhandgriff fest anziehen. (Abb. 6)

## 8. Umstellung von SCHLAGBOHREFUNKTION auf BOHREN (Abb. 7)

Den Umschalthebel zwischen der rechten und der linken Position umschalten, um zwischen IMPACT (Schlagen und Drehen) und ROTATION (nur Drehen) umzuschalten.

Zum Bohren von Löchern in harten Materialien wie Beton oder Dachziegeln den Umschalthebel zur rechten Position (wie durch die Markierung **T** angezeigt) umschalten. Der Bohrer führt dann Schlagbohren durch eine Kombination von Schlag und Drehen durch.

Zum Bohren von Löchern in Metall, Holz oder Plastik den Umschalthebel zur linken Position (wie durch die Markierung **⚡** angezeigt) umschalten. Der Bohrer arbeitet dann wie ein herkömmlicher Elektrobohrer nur durch Drehung.

### VORSICHT

- Den Schlagbohrer nicht mit der Schlagbohrfunktion verwenden, wenn sich das Material in reiner Bohrfunktion bohren läßt. Dadurch wird nicht nur die Leistung des Bohrers vermindert, sondern es kann auch die Bohrerspitze beschädigt werden.
- Betrieb des Schlagbohrers mit dem Umschalthebel in mittlerer Stellung kann Beschädigung verursachen. Beim Umschalten immer sicherstellen, dass der Umschalthebel in die richtige Position geschaltet wird.

## 9. Umschalten von hoher Drehzahl auf niedrige Drehzahl:

Vor der Veränderung der Drehzahl muß man sich überzeugen, daß der Schalter auf "AUS" steht und sich der Bohrer nicht mehr bewegt.

Die Gangschaltschiebe drehen. Zum Umschalten wird der Umschalteinsteller eingedrückt und die gewünschte Richtung geschoben, wie in **Abb. 8** durch den Pfeil angegeben ist. Die auf dem Gehäuse eingeprägte Ziffer "1" bedeutet niedrige Drehzahl, die Ziffer "2" bedeutet hohe Drehzahl.

Wenn sich die Gangschaltscheibe nur schwer drehen läßt, drehen Sie das Bohrfutter ein wenig hin und her und betätigen die Gangschaltscheibe danach erneut.

## VERWENDUNG

### 1. Schalterbetätigung

- Wenn der Abzugschalter durchgedrückt wird, dreht sich das Werkzeug. Wenn der Abzugschalter losgelassen wird, hält das Werkzeug an.
- Die Drehzahl des Bohrers kann durch entsprechendes Durchziehen des Abzugschalters geregelt werden. Wenn der Abzugschalter nur leicht durchgedrückt wird, ist die Drehzahl niedrig, und sie nimmt zu, wenn der Abzugschalter stärker durchgedrückt wird.
- Die gewünschte Drehzahl kann mit der Drehzahlskala voreingestellt werden.  
Drehen Sie die Drehzahlskala im Uhrzeigersinn für eine höhere Drehzahl und gegen den Uhrzeigersinn für eine niedrigere Drehzahl. (Abb. 9)
- Wenn der Abzugschalter durchgedrückt und der Stopper gedrückt wird, bleibt die Maschine eingeschaltet, was angenehm für kontinuierliche Verwendung ist. Zum Ausschalten kann der Stopper durch erneutes Durchdrücken des Abzugschalters freigegeben werden.

### VORSICHT

Wenn die L-Seite des Druckknopfes für Rückwärts-Bitdrehung gedrückt ist, kann der Stopper nicht verwendet werden.

## 2. Bohren

- Starten Sie zum Bohren die Bohrmaschine langsam und erhöhen Sie die Drehzahl beim Bohren.
- Drücken Sie immer in einer geraden Linie mit dem Bohrer. Drücken Sie mit ausreichender Kraft, um weiter zu Bohren, aber nicht so stark, daß der Motor anhält oder der Bohrer abgelenkt wird.
- Verringern Sie am Ende des Loches den Druck auf den Bohrer und leiten Sie den Bohrer vorsichtig durch den letzten Teil des Loches, um Stehenbleiben oder Durchbrechen durch das Material zu vermeiden.
- Wenn der Bohrer stehenbleibt, so lassen Sie sofort den Abzugsschalter los, ziehen Sie den Bohrer aus dem Loch, und beginnen Sie erneut. Ziehen Sie nicht den Abzugsschalter wiederholt durch, um einen stehengebliebenen Bohrer zu starten. Dies kann den Bohrer beschädigen.
- Je größer der Durchmesser des Bohrers ist, um so stärker ist die Reaktionskraft auf Ihren Arm. Achten Sie darauf, durch die Reaktionskraft nicht die Kontrolle über die Bohrmaschine zu verlieren. Stellen Sie sich für sichere Kontrolle des Bohrers sicher hin, verwenden Sie den Seitengriff, halten Sie die Bohrmaschine mit beiden Händen fest, und stellen Sie sicher, daß der Bohrer senkrecht zum zu bohrenden Material steht.

---

## WARTUNG UND INSPEKTION

---

### 1. Inspektion der Bohrer

Da ein abgenutzter Bohrer Fehlfunktion des Motors und verringerte Wirksamkeit verursacht, sollten Sie die Bohrer sofort schärfen durch neue ersetzen, wenn Verschleiß festgestellt wird.

### 2. Inspektion der Befestigungsschraube

Alle Befestigungsschrauben werden regelmäßig inspiziert und geprüft, daß sie richtig angezogen sind. Wenn sich eine der Schrauben lockert, muß sie sofort wieder angezogen werden. Geschieht das nicht, kann das zu erheblicher Gefahr führen.

### 3. Wartung des Motors

Die Motorwicklung ist das "Herz" des Elektrowerkzeugs. Daher ist besonders sorgfältig darauf zu achten, daß die Wicklung nicht beschädigt und/oder mit Öl oder Wasser benetzt wird.

### 4. Inspektion der Kohlebürsten

Zur Erhaltung Ihrer Sicherheit und des Schutzes gegen elektrischen Schlag sollten Inspektion und Auswechseln der Kohlebürsten NUR durch ein Autorisiertes Hitachi-Wartungszentrum durchgeführt werden.

### 5. Auswechseln des Netzkabels

Wenn das Netzkabel des Werkzeugs beschädigt wird, muss das Werkzeug zum Auswechseln des Netzkabels an ein von Autorisiertes Hitachi-Wartungszentrum zurückgegeben werden.

### 6. Liste der Wartungsteile

- A: Punkt Nr.
- B: Code Nr.
- C: Verwendete Anzahl
- D: Bemerkungen

### ACHTUNG

Reparatur, Modifikation und Inspektion von Hitachi-Elektrowerkzeugen müssen durch ein Autorisiertes Hitachi-Wartungszentrum durchgeführt werden.

Diese Teileliste ist hilfreich, wenn sie dem Autorisierten Hitachi-Wartungszentrum zusammen mit dem Werkzeug für Reparatur oder Wartung ausgehändigt wird.

Bei Betrieb und Wartung von Elektrowerkzeugen müssen die Sicherheitsvorschriften und Normen beachtet werden.

### MODIFIKATIONEN

Hitachi-Elektrowerkzeuge werden fortwährend verbessert und modifiziert, um die neuesten technischen Fortschritte einzubauen.

Dementsprechend ist es möglich, daß einige Teile (z.B. Codenummern bzw. Entwurf) ohne vorherige Benachrichtigung geändert werden.

---

## GARANTIE

---

Auf Hitachi-Elektrowerkzeuge gewähren wir eine Garantie unter Zugrundelegung der jeweils geltenden gesetzlichen und landesspezifischen Bedingungen. Dieses Garantie erstreckt sich nicht auf Gehäusedefekte und nicht auf Schäden, die auf Missbrauch, bestimmungswidrigen Einsatz oder normalen Verschleiß zurückzuführen sind. Im Schadensfall senden Sie das nicht zerlegte Elektrowerkzeug zusammen mit dem GARANTIESCHEIN, den Sie am Ende der Bedienungsanleitung finden, an ein von Hitachi autorisiertes Servicecenter.

---

## HINWEIS

Aufgrund des ständigen Forschungs- und Entwicklungsprogramms von HITACHI sind Änderungen der hierin gemachten technischen Angaben vorbehalten.

---

### Information über Betriebslärm und Vibration

Die gemessenen Werte wurden entsprechend EN60745 bestimmt und in Übereinstimmung mit ISO 4871 ausgewiesen.

Gemessener A-gewichteter Schallpegel: 110 dB (A)

Gemessener A-gewichteter Schalldruck: 99 dB (A)

Messunsicherheit KpA: 3 dB (A)

Gehörschutz tragen.

Gesamtvibrationswerte (3-Achsen-Vektorsumme), bestimmt gemäß EN60745.

Schlagbohren in Beton:

Vibrationsemissionswert  $\dot{a}_{h, ID}$  = 16,0 m/s<sup>2</sup>

Messunsicherheit K = 1,8 m/s<sup>2</sup>

---

## WARNUNG

- Der Vibrationsemissionswert während der tatsächlichen Benutzung des Elektrowerkzeugs kann von dem deklarierten Wert abweichen, abhängig davon, wie das Werkzeug verwendet wird.
- Zur Festlegung der Sicherheitsmaßnahmen zum Schutz des Bedieners, die auf einer Expositionseinschätzung unter den tatsächlichen Benutzungsbedingungen beruhen (unter Berücksichtigung aller Bereiche des Betriebszyklus, darunter neben der Triggerzeit auch die Zeiten, in denen das Werkzeug ausgeschaltet ist oder im Leerlaufbetrieb läuft).

## AVERTISSEMENTS DE SÉCURITÉ GÉNÉRAUX CONCERNANT LES OUTILS ÉLECTRIQUES

### AVERTISSEMENT

Lire tous les avertissements de sécurité et toutes les instructions.

Tout manquement à observer ces avertissements et instructions peut engendrer des chocs électriques, des incendies et/ou des blessures graves.

Conservez tous les avertissements et toutes les instructions pour vous y référer ultérieurement.

Le terme "outil électrique", utilisé dans les avertissements, se réfère aux outils électriques (câblé) ou aux outils à piles (sans fil).

#### 1) Sécurité sur l'aire de travail

- Maintenir l'aire de travail propre et bien éclairée.**  
*Les endroits encombrés ou sombres sont propices aux accidents.*
- Ne pas utiliser d'outils électriques en présence de liquides, gaz ou poussière inflammables, au risque de provoquer une explosion.**  
*Les outils électriques créent des étincelles susceptibles d'enflammer la poussière ou les vapeurs.*
- Ne pas laisser les enfants et les visiteurs s'approcher de vous lorsque vous utilisez un outil électrique.**  
*Les distractions peuvent faire perdre le contrôle.*

#### 2) Sécurité électrique

- Les prises de l'outil électrique doivent correspondre à la prise secteur.**  
**Ne jamais modifier la prise.**  
**Ne pas utiliser d'adaptateurs avec les outils électriques mis à la masse.**  
*Les prises non modifiées et les prises secteurs correspondantes réduisent les risques de choc électrique.*
- Éviter tout contact avec les surfaces mises à la masse telles que les tuyaux, radiateurs, bandes et réfrigérateurs.**  
*Le risque de choc électrique est accru en cas de mise à la masse du corps.*
- Ne pas exposer les outils électriques à la pluie ou à des conditions humides.**  
*Si l'eau pénètre dans l'outil, cela augmente les risques de choc électrique.*
- Ne pas utiliser le cordon à tort. Ne jamais utiliser le cordon pour transporter ou débrancher l'outil électrique.**  
**Maintenir le cordon loin de la chaleur, de l'huile, des bords pointus ou des pièces mobiles.**  
*Les cordons endommagés ou usés augmentent les risques de choc électrique.*
- En cas d'utilisation d'un outil électrique à l'extérieur, utiliser un cordon de rallonge adapté à un usage extérieur.**  
*L'utilisation d'un cordon adapté à l'usage extérieur réduit les risques de choc électrique.*
- Si vous devez utiliser un outil électrique dans un endroit humide, utilisez une alimentation protégée contre les courants résiduels.**  
*L'utilisation d'un dispositif de protection contre les courants résiduels réduit le risque de choc électrique.*

#### 3) Sécurité personnelle

- Restez alerte, regarder ce que vous faites et usez de votre bon sens en utilisant un outil électrique.**  
**Ne pas utiliser d'outil électrique si vous êtes sous l'influence de drogues, d'alcool ou de médicaments.**

*Pendant l'utilisation d'outils électriques, un instant d'inattention peut entraîner des blessures graves.*

- Utiliser un équipement de protection individuelle.**  
**Toujours porter des verres de protection.**  
*L'utilisation d'équipements de protection tels que les masques anti-poussière, les chaussures de sécurité anti-dérapantes, les casques ou les protections auditives dans des conditions appropriées réduisent les risques de blessures.*
  - Empêcher les démarrages intempestifs. Veiller à ce que l'interrupteur soit en position d'arrêt avant de brancher à une source d'alimentation et/ou une batterie, de ramasser l'outil au sol ou de le transporter.**  
*Transporter les outils électriques avec le doigt sur l'interrupteur ou brancher les outils électriques avec l'interrupteur en position de marche peut entraîner des accidents.*
  - Retirer toute clé de sécurité ou clé avant de mettre l'outil électrique en marche.**  
*Laisser une clé ou une clé de sécurité sur une partie mobile de l'outil électrique peut engendrer des blessures.*
  - Ne pas trop se pencher. Toujours garder une bonne assise et un bon équilibre pendant le travail.**  
*Cela permet un meilleur contrôle de l'outil électrique dans des situations imprévisibles.*
  - Porter des vêtements adéquats. Ne pas porter de vêtements amples ni de bijoux. Maintenir les cheveux, les vêtements et les gants loin des pièces mobiles.**  
*Les vêtements amples ou les cheveux longs peuvent se prendre dans les pièces mobiles.*
  - En cas de dispositifs destinés au raccordement d'installations d'extraction et de recueil de la poussière, veiller à ce qu'ils soient correctement raccordés et utilisés.**  
*L'utilisation d'un dispositif de collecte de la poussière peut réduire les dangers associés à la poussière.*
- #### 4) Utilisation et entretien d'un outil électrique
- Ne pas forcer sur l'outil électrique. Utiliser l'outil électrique adapté à vos travaux.**  
*Le bon outil électrique fera le travail mieux et en toute sécurité au régime pour lequel il a été conçu.*
  - Ne pas utiliser l'outil électrique si l'interrupteur ne le met pas en position de marche et d'arrêt.**  
*Tout outil ne pouvant être contrôlé par l'interrupteur est dangereux et doit être réparé.*
  - Débrancher la prise et/ou la batterie avant de procéder à des réglages, au remplacement des accessoires ou au stockage des outils électriques.**  
*Ces mesures préventives de sécurité réduisent les risques de démarrage accidentel de l'outil électrique.*
  - Stockez les outils électriques inutilisés hors de la portée des enfants et ne pas laisser des personnes non familiarisées avec l'outil ou ces instructions utiliser l'outil électrique.**  
*Les outils électriques sont dangereux entre les mains d'utilisateurs non habilités.*
  - Entretien des outils électriques. Vérifier l'absence de mauvais alignement ou d'arrêt, d'endommagement de pièces ou toute autre condition susceptible d'affecter l'opération de l'outil.**  
**Si l'outil est endommagé, le faire réparer avant utilisation.**  
*De nombreux accidents sont dus à des outils mal entretenus.*

- f) **Maintenir les outils coupants aiguisés et propres.**  
*Des outils coupants bien entretenus avec des bords aiguisés sont moins susceptibles de se coincer et plus simples à contrôler.*
- g) **Utiliser l'outil électrique, les accessoires et les mèches de l'outil, etc. conformément à ces instructions en tenant compte des conditions d'utilisation et du travail à réaliser.**  
*L'utilisation de l'outil électrique pour des opérations différentes de celles pour lesquelles il a été conçu est dangereuse.*

**5) Service**

- a) **Faire entretenir l'outil électrique par un technicien habilité à l'aide de pièces de rechange identiques exclusivement.**  
*Cela garantira le maintien de la sécurité de l'outil électrique.*

**PRECAUTIONS**

**Maintenir les enfants et les personnes infirmes éloignés.**  
**Lorsque les outils ne sont pas utilisés, ils doivent être rangés hors de portée des enfants et des personnes infirmes.**

**SPECIFICATIONS**

Tension (per sone)*		(110V, 220V, 230V, 240V) ∩	
Puissance		690 W*	
Changement de vitesse		1	2
Vitesse sans charge	Rotation avant	0 – 1000 min <sup>-1</sup>	0 – 3000 min <sup>-1</sup>
	Rotation arrière	0 – 600 min <sup>-1</sup>	0 – 1800 min <sup>-1</sup>
Capacité	Acier	13 mm	8 mm
	Béton	18 mm	13 mm
	Bois	40 mm	25 mm
Vitesse de percussion à pleine charge		8400 min <sup>-1</sup>	27300 min <sup>-1</sup>
Poids (sans fil)		2,0 kg	

\*Assurez-vous de vérifier la plaque signalétique sur le produit qui peut changer suivant les régions.

**ACCESSOIRES STANDARDS**

- (1) Clef pour mandrin (Spéc. destinée au mandrin à clavette uniquement) ..... 1  
 (2) Poignée latérale ..... 1  
 (3) Jauge de profondeur ..... 1  
 Les accessoires standards sont sujettes à changement sans préavis.

**ACCESSOIRES EN OPTION**

**(vendus séparément)**

- (1) Foret à percussion (pour béton)  
 Dia. 3,2 mm – 18 mm  
 Les accessoires à option sont sujettes à changement sans préavis.

**APPLICATIONS**

- Action combinée de ROTATION et PERCUSSION:  
 Perçage de trous dans surfaces dures (béton, marbre, granite, tuilles, etc.).
- Par action de ROTATION:  
 Perçage de trous dans métal, bois et matières plastiques.

**AVERTISSEMENTS DE SÉCURITÉ RELATIFS À LA PERÇEUSE PERCUSSION**

1. **Portez des bouchons avec les perceuses à percussion.**  
 L'exposition au bruit peut engendrer une perte de l'audition.
2. **Utilisez les poignées auxiliaires fournies avec l'outil.**  
 Toute perte de contrôle peut entraîner des blessures.
3. Avant de percer dans un mur, un plancher ou un plafond, s'assurer bien qu'ils ne renferment ni câbles ni lignes électriques.
4. Toujours utiliser la poignée latérale et tenir l'outil fermement avec les deux mains.
5. Utilisez toujours la visseuse/perceuse à percussions dans le sens horaire de rotation, quand vous l'utilisez en tant que perceuse à rotation (**Fig. 10**).

**AVANT LA MISE EN MARCHÉ**

1. **Source de puissance**  
 S'assurer que la source de puissance à utiliser correspond à la puissance indiquée sur la plaque signalétique du produit.
2. **Interrupteur de puissance**  
 S'assurer que l'interrupteur de puissance est en position ARRÊT. Si la fiche est branchée alors que l'interrupteur est sur MARCHÉ, l'outil démarre immédiatement et peut provoquer un grave accident.
3. **Fil de rallonge**  
 Lorsque la zone de travail est éloignée de la source de puissance, utiliser un fil de rallonge d'une épaisseur suffisante et d'une capacité nominale suffisante. Le fil de rallonge doit être aussi court que possible.
4. **Choix du foret de perçage correct**
  - Pour perçage dans béton ou pierre  
 Utiliser les forets spécifiés à la partie "Accessoires à option".
  - Pour perçage dans métal ou plastique  
 Utiliser un foret de perçage ordinaire pour métal.
  - Pour perçage dans bois  
 Utiliser un foret de perçage ordinaire pour bois. Toutefois, pour percer des trous de 6,5 mm ou plus petits, utiliser un foret de perçage pour métal.

## 5. Montage et démontage des forets.

### Pour mandrin à clavette (Fig. 1)

- (1) Ouvrir les mâchoires du mandrin et insérer la mèche dans le mandrin.
- (2) Mettre la clavette à mandrin dans chacun des trois trous du mandrin, et la tourner dans le sens des aiguilles d'une montre (vue depuis l'avant). Serrer à fond.
- (3) Pour retirer la mèche, mettre la clavette à mandrin dans l'un des trous du mandrin et la tourner dans le sens inverse des aiguilles d'une montre.

### Mèche sans clavette (Fig. 2)

- (1) Installation du foret  
Tourner le manchon vers la gauche et ouvrir le mandrin. Après avoir inséré le foret au maximum dans le mandrin, saisir la bague de retenue et fermer le mandrin en tournant le manchon vers la droite, l'outil étant vu de l'avant.
- (2) Retrait du foret  
Saisir la bague de retenue et ouvrir le mandrin en tournant le manchon vers la gauche.

### NOTE

Lorsque le manchon ne se relâche plus, fixer la poignée latérale à la bague de retenue, tenir la poignée latérale fermement, puis tourner le manchon pour le desserrer manuellement (Fig. 3).

## 6. Vérification du sens de rotation (Fig. 4)

La mèche tourne dans le sens des aiguilles d'une montre (vue de l'arrière) quand on appuie sur le côté R du bouton-poussoir.

Appuyer sur le côté L du bouton-poussoir pour la faire tourner dans le sens inverse des aiguilles d'une montre.

(Il y a des repères (L) (gauche) et (R) (droite) sur le corps de l'outil.)

### ATTENTION

Utilisez toujours la visseuse/perceuse à percussions dans le sens horaire de rotation, quand vous l'utilisez en tant que perceuse à rotation.

## 7. Fixation de la poignée latérale (Fig. 5)

Fixer la poignée latérale à la pièce de montage. Tourner la griffe de la poignée latérale dans le sens des aiguilles d'une montre pour la serrer.

Régler la poignée sur une position correspondant au fonctionnement, puis serrer la griffe de la poignée latérale.

Pour attacher un témoin de profondeur sur la poignée latérale, introduire le témoin dans la rainure en U sur la poignée latérale, régler la position du témoin en fonction de la profondeur souhaitée pour le trou, et resserrer la saisie de la poignée latérale à fond. (Fig. 6)

## 8. Commutation: fonctionnement en PERCUSSION/ fonctionnement en ROTATION (Fig. 7)

Déplacer le levier de la position droite sur la position gauche pour pouvoir commuter facilement entre PERCUSSION (rotation et percussion) et ROTATION (rotation seulement), respectivement.

Pour percer des trous dans un matériau dur, par exemple du béton, de la pierre et des tuiles, déplacer le levier sur la position de droite (comme indiqué par le repère T). La mèche effectue alors une action combinée de percussion et de rotation.

Pour percer des trous dans du métal, du bois ou des matières plastiques, déplacer le levier sur la position de gauche (comme indiqué par le repère S). La mèche effectue une action de rotation seulement, et elle fonctionne alors comme une perceuse électrique ordinaire.

### ATTENTION

- Ne pas utiliser la perceuse à percussion en fonctionnement PERCUSSION si le matériau peut être percé par simple rotation. Ce fonctionnement réduirait d'une part l'efficacité de perçage et abîmerait aussi la pointe de perçage.
- Le fait de faire fonctionner la perceuse percussion avec le levier sur une position intermédiaire risque de provoquer des dommages. Lors de la commutation, bien déplacer le levier à fond sur la position souhaitée.

## 9. Commutation grande vitesse/faible vitesse

Avant de changer de vitesse, s'assurer que l'interrupteur est en position ARRÊT et que la perceuse est complètement arrêtée.

Pour changer de vitesse, faire tourner le bouton de changement de vitesse comme indiqué par la flèche sur la Fig. 8. Le numéro "1" gravé sur le corps de la perceuse indique la vitesse faible, le numéro "2" indique la grande vitesse.

Si le bouton de changement de vitesse est difficile à tourner, tournez légèrement le mandrin dans n'importe quel sens et tournez à nouveau le bouton de changement de vitesse.

## UTILISATION

### 1. Fonctionnement de l'interrupteur

- Quand on tire sur la gâchette, l'outil se met à tourner. Quand on relâche la gâchette, l'outil s'arrête.
- Il est possible de régler la vitesse de rotation de la perceuse en faisant varier la pression sur la gâchette. La vitesse est lente quand on tire légèrement sur la gâchette, et elle augmente quand on tire davantage sur la gâchette.
- La vitesse de rotation souhaitée peut être pré-réglée avec la molette de commande de la vitesse. Tourner la molette de commande de la vitesse dans le sens des aiguilles d'une montre pour augmenter la vitesse et dans le sens contraire pour réduire la vitesse. (Fig. 9)
- Si l'on tire sur la gâchette et qu'on appuie sur la butée, l'outil continue à tourner tout seul, ce qui est pratique pour un travail continu. Pour arrêter l'outil, déconnecter la butée en tirant à nouveau sur la gâchette.

### ATTENTION

En cas d'appui sur le côté L du bouton poussoir, la mèche tourne dans le sens inverse des aiguilles d'une montre et le butée ne peut pas être utilisé.

### 2. Perçage

- Pour percer des trous, démarrer la perceuse lentement, et augmenter progressivement la vitesse à mesure que l'on perce.
- Toujours appuyer sur la mèche en ligne droite. Appuyer suffisamment pour que la perceuse perce, mais pas trop car cela pourrait caler le moteur ou tordre la mèche.



- Pour minimiser le calage ou la rupture de la mèche dans la pièce, réduire la pression sur la perceuse et dégager la mèche lorsqu'on arrive vers la fin du trou.
  - Si la perceuse cale, relâcher immédiatement la gâchette, sortir la mèche de la pièce et recommencer. Ne pas appuyer de façon répétée sur la gâchette pour redémarrer une perceuse qui a calé. Cela pourrait endommager la perceuse.
  - Plus le diamètre de la mèche est grand, plus la force de réaction sur le bras est forte. Faire attention à ne pas perdre le contrôle de la perceuse à cause de cette force de réaction.
- Pour garder un bon contrôle de l'outil, se tenir bien en équilibre, utiliser la poignée latérale, tenir la perceuse fermement des deux mains, et veiller à ce que la mèche soit perpendiculaire à la pièce dans laquelle on effectue le perçage.

---

## ENTRETIEN ET CONTROLE

---

### 1. Inspection des mèches

L'utilisation d'une mèche usée par abrasion risquant de provoquer un mauvais fonctionnement du moteur et une diminution du rendement, remplacer la mèche par une neuve ou l'affûter sans tarder dès que l'on constate une abrasion.

### 2. Contrôle du foret de perçage et du taraud

Comme l'utilisation continue d'un foret ou taraud usé réduirait l'efficacité de fonctionnement et provoquerait une surcharge du moteur, remplacer ou aiguiser le foret ou le taraud sans retard lorsque des traces d'usure excessive apparaissent.

### 3. Entretien du moteur

Le bobinage de l'ensemble moteur est le "cœur" même de l'outil électro-portatif. Veiller soigneusement à ce que ce bobinage ne soit pas endommagé et/ou mouillé par de l'huile ou de l'eau.

### 4. Inspection des balais en carbone

Pour assurer à tout moment la sécurité et la protection contre les chocs électrique, confier l'inspection et le remplacement des balais en carbone de l'outil EXCLUSIVEMENT à un centre de service après-vente Hitachi agréé.

### 5. Remplacement du cordon d'alimentation

Si le cordon d'alimentation de l'outil est endommagé, rapporter l'outil à un centre de service après-vente Hitachi agréé pour faire remplacer le cordon.

### 6. Liste des pièces de rechange

- A: No. élément
- B: No. code
- C: No. utilisé
- D: Remarques

## ATTENTION

Les réparations, modifications et inspections des outils électriques Hitachi doivent être confiées à un service après-vente Hitachi agréé.

Il sera utile de présenter cette liste de pièces à un centre de service après-vente Hitachi agréé lorsqu'on apporte un outil nécessitant des réparations ou tout autre entretien.

Lors de l'utilisation et de l'entretien d'un outil électrique, respecter les règlements et les normes de sécurité en vigueur dans le pays en question.

## MODIFICATIONS

Les outils électriques Hitachi sont constamment améliorés et modifiés afin d'incorporer les tous derniers progrès technologiques.

En conséquence, il est possible que certaines pièces (c.-à-d. no. de code et/ou dessin) soient modifiées sans avis préalable.

---

## GARANTIE

---

Nous garantissons que l'ensemble des Outils électriques Hitachi sont conformes aux réglementations spécifiques statutaires/nationales. Cette garantie ne couvre pas les défauts ni les dommages inhérents à une mauvaise utilisation, une utilisation abusive ou l'usure et les dommages normaux. En cas de réclamation, veuillez envoyer l'Outil électrique, en l'état, accompagné du CERTIFICAT DE GARANTIE qui se trouve à la fin du Mode d'emploi, dans un service d'entretien autorisé.

## NOTA

Par suite du programme permanent de recherche et de développement HITACHI, ces spécifications peuvent faire l'objet de modifications sans avis préalable.

---

## Au sujet du bruit et des vibrations

Les valeurs mesurées ont été déterminées en fonction de la norme EN60745 et déclarées conforme à ISO 4871.

Niveau de puissance sonore pondérée A: 110 dB (A)

Niveau de pression acoustique pondérée A: 99 dB (A)

Incertitude KpA: 3 dB (A)

Porter des protections anti-bruit.

Valeurs totales des vibration (somme vectorielle triaxiale) déterminée conformément à EN60745.

Perçage à percussion dans le béton :

Valeur d'émission de vibration **a<sub>h</sub>, ID** = 16,0 m/s<sup>2</sup>

Incertitude K = 1,8 m/s<sup>2</sup>

---

## AVERTISSEMENT

- La valeur d'émission de vibration en fonctionnement de l'outil électrique peut être différente de la valeur déclarée, en fonction des utilisations de l'outil.
- Pour identifier les mesures de protection de l'utilisateur fondées sur une estimation de l'exposition en conditions d'utilisation (tenir compte de tous les aspects du cycle d'utilisation, tels que les moments où l'outil est mis hors tension ou lorsqu'il tourne à vide en plus des temps de déclenchements).

## AVVERTIMENTI GENERALI DI SICUREZZA SUGLI UTENSILI ELETTRICI

### AVVERTENZA

**Leggere tutti gli avvertimenti di sicurezza e tutte le istruzioni.**

*La mancata osservanza degli avvertimenti e delle istruzioni potrebbe essere causa di scosse elettriche, incendi e/o gravi lesioni.*

**Salvare tutti gli avvertimenti e le istruzioni per riferimenti futuri.**

*Il termine "elettroutensili" riportato nelle avvertenze si riferisce agli elettroutensili azionati con alimentazione di rete (via cavi) o a batterie (senza cavi).*

#### 1) Sicurezza dell'area operativa

- Mantenere l'area operativa pulita e ordinata.**  
*Aree operative sporche o disordinate possono favorire gli infortuni.*
- Non utilizzare gli elettroutensili in atmosfere esplosive, ad es. in presenza di liquidi, gas o polveri infiammabili.**  
*Gli elettroutensili generano delle scintille che potrebbero accendere la polvere o i fumi.*
- Tenere lontani bambini e astanti durante l'utilizzo degli elettroutensili.**  
*Qualsiasi distrazione può essere causa di perdita di controllo.*

#### 2) Sicurezza elettrica

- Le spine degli elettroutensili devono essere idonee alle prese disponibili.**  
**Non modificare mai le prese.**  
**Con gli elettroutensili a massa (messi a terra), non utilizzare alcun adattatore.**  
*L'utilizzo di spine intatte e corrispondenti alle prese disponibili ridurrà il rischio di scosse elettriche.*
- Evitare qualsiasi contatto con le superfici a massa o a terra, quali tubi, radiatori, fornelli e frigoriferi.**  
*In caso di messa a terra o massa del corpo, sussiste un maggior rischio di scosse elettriche.*
- Non esporre gli elettroutensili alla pioggia o all'umidità.**  
*La penetrazione di acqua negli elettroutensili aumenterà il rischio di scosse elettriche.*
- Non tirare il cavo. Non utilizzarlo per il trasporto, o per tirare o scollegare l'elettroutensile.**  
**Tenere il cavo lontano da fonti di calore, oli, bordi appuntiti o parti in movimento.**  
*Cavi danneggiati o attorcigliati possono aumentare il rischio di scosse elettriche.*
- Durante l'uso degli elettroutensili all'esterno, utilizzare una prolunga idonea per usi esterni.**  
*L'utilizzo di cavi per esterno riduce il rischio di scosse elettriche.*
- Se è impossibile evitare l'impiego di un utensile elettrico in un luogo umido, utilizzare l'alimentazione protetta da un dispositivo a corrente residua (RCD).**  
*L'uso di un RCD riduce il rischio di scosse elettriche.*

#### 3) Sicurezza personale

- Durante l'uso degli elettroutensili, state all'erta, verificate ciò che state eseguendo e adottate sempre il buon senso.**  
**Non utilizzate gli elettroutensili qualora siate stanchi, sotto l'influenza di farmaci, alcol o cure mediche.**  
*Anche un attimo di disattenzione durante l'uso degli elettroutensili potrebbe essere causa di gravi lesioni personali.*

- Indossate l'attrezzatura di protezione personale. Indossate sempre le protezioni oculari.**

*L'attrezzatura protettiva, quali maschera facciale, calzature antiscivolo, caschi o protezioni oculari ridurrà il rischio di lesioni personali.*

- Impedite le accensioni involontarie. Prima del collegamento a una sorgente di alimentazione e/o pacco batteria e prima di raccogliere o trasportare l'utensile, verificate che l'interruttore sia posizionato su OFF.**

*Il trasporto degli elettroutensili tenendo le dita sull'interruttore o l'attivazione elettrica degli utensile che hanno l'interruttore su ON, implica il rischio di incidenti.*

- Prima di attivare l'elettroutensile, rimuovete qualsiasi chiave di regolazione.**

*Lasciando la chiave in un componente in rotazione dell'elettroutensile, sussiste il rischio di lesioni personali.*

- Mantenersi in equilibrio. Mantenersi sempre su due piedi, in equilibrio stabile.**

*Ciò consente di controllare al meglio l'elettroutensile in caso di situazioni impreviste.*

- Vestirsi in modo adeguato. Non indossare abiti larghi o gioielli. Tenere i capelli, gli abiti e i guanti lontano dalle parti in movimento.**

*Abiti allentati, gioielli e capelli lunghi potrebbero impigliarsi nelle parti in movimento.*

- In caso di dispositivi provvisti di collegamento ad apparecchiature di rimozione e raccolta polveri, verificare che queste siano collegate e utilizzate in modo adeguato.**

*L'utilizzo della raccolta della polvere può ridurre i rischi connessi alle polveri.*

#### 4) Utilizzo e manutenzione degli elettroutensili

- Non utilizzare elettroutensili non idonei. Utilizzare l'elettroutensile idoneo alla propria applicazione.**

*Utilizzando l'elettroutensile corretto, si garantirà un'esecuzione migliore e più sicura del lavoro, alla velocità di progetto.*

- Non utilizzare l'elettroutensile qualora non sia possibile accenderlo/spengerlo tramite l'interruttore.**

*È pericoloso utilizzare elettroutensili che non possano essere azionati dall'interruttore. Provvedere alla relativa riparazione.*

- Prima di effettuare qualsiasi regolazione, sostituire gli accessori o depositare gli elettroutensili, scollegare la spina dalla presa elettrica e/o il pacco batteria dall'utensile elettrico.**

*Queste misure di sicurezza preventive riducono il rischio di avvio involontario dell'elettroutensile.*

- Depositare gli elettroutensili non utilizzati lontano dalla portata dei bambini ed evitare che persone non esperte di elettroutensili o non a conoscenza di quanto riportato sulle presenti istruzioni azionino l'elettroutensile.**

*È pericoloso consentire che utenti non esperti utilizzino gli elettroutensili.*

- Manutenzione degli elettroutensili. Verificare che non vi siano componenti in movimento disallineati o bloccati, componenti rotti o altre condizioni che potrebbero influenzare negativamente il funzionamento dell'elettroutensile.**

*In caso di guasti, provvedere alla riparazione dell'elettroutensile prima di riutilizzarlo.*

*Molti incidenti sono causati da una scarsa manutenzione.*

f) **Mantenere gli strumenti di taglio affilati e puliti.**  
*Gli strumenti di taglio in condizioni di manutenzione adeguata, con bordi affilati, sono meno soggetti al bloccaggio e sono più facilmente controllabili.*

g) **Utilizzare l'elettrotensile, gli accessori, le barrette, ecc. in conformità a quanto riportato nelle presenti istruzioni, tenendo in debita considerazione le condizioni operative e il tipo di lavoro da eseguire.**

*L'uso dell'utensile elettrico per operazioni diverse da quelle previste potrebbe causare una situazione pericolosa.*

#### 5) Assistenza

a) **Affidate le riparazioni dell'elettrotensile a persone qualificate che utilizzino solamente parti di ricambio identiche.**

*Ciò garantirà il mantenimento della sicurezza dell'elettrotensile.*

#### PRECAUZIONI

**Tenere lontano dalla portata di bambini e invalidi.**

**Quando non utilizzati, gli strumenti dovranno essere depositi lontano dalla portata di bambini e invalidi.**

#### CARATTERISTICHE

Voltaggio (per zona)*		(110V, 220V, 230V, 240V) ~	
Potenza assorbita		690 W*	
Cambio di velocità		1	2
Velocità senza carico	Rotazione in avanti	0 – 1000 min <sup>-1</sup>	0 – 3000 min <sup>-1</sup>
	Rotazione indietro	0 – 600 min <sup>-1</sup>	0 – 1800 min <sup>-1</sup>
Capacità mandrino	Acciaio	13 mm	8 mm
	Cemento	18 mm	13 mm
	Legno	40 mm	25 mm
Frequenza d'impatto a pieno carico		8400 min <sup>-1</sup>	27300 min <sup>-1</sup>
Peso (senza il cavo)		2,0 kg	

\*Accertatevi di aver controllato bene la piastrina perchè essa varia de zona a zona.

#### ACCESSORI STANDARD

- (1) Chiave per mandrino (Spec. solamente per mandrino calettato) ..... 1  
 (2) Impugnatura laterale ..... 1  
 (3) Calibro di profondità ..... 1  
 Gli accessori standard possono essere cambiati senza preavviso.

#### ACCESSORI DISPONIBILI A RICHIESTA (venduti separatamente)

- (1) Punta trapano a impatto (per cemento)  
 3,2 mm – 18 mm dia.  
 Gli accessori disponibili a richiesta possono essere cambiati senza preavviso.

#### IMPIEGHI

- Azione combinata di ROTAZIONE e BATTITO:  
 Per l'esecuzione di fori in superfici dure (cemento, marmo, granito, ecc.).  
 Funzionamento solo a ROTAZIONE:  
 Per l'esecuzione di fori nel metallo, legno e plastica.

#### AVVERTIMENTI DI SICUREZZA PER IL TRAPANO A PERCUSSIONE

##### 1. Indossare protezioni per le orecchie con le sonde a percussione.

L'esposizione al rumore può causare la perdita dell'udito.

##### 2. Utilizzare le leve ausiliarie fornite con l'utensile.

La perdita di controllo può causare lesioni alla persona.

3. Prima di praticare fori nei muri, soffitti o pavimenti, assicurarsi che non ci siano, nascosti all'interno, cavi elettrici.

4. Utilizzare sempre la manopola laterale e afferrare saldamente lo strumento con entrambe le mani.

5. Usando il trapano nel modo a impatto, inserire sempre la direzione di rotazione in senso orario. (Fig. 10)

#### PRIMA DELL'USO

##### 1. Alimentazione

Assicurarsi che la rete di alimentazione che si vuole usare sia compatibile con le caratteristiche relative all'alimentazione di corrente specificate nella piastrina dell'apparecchio.

##### 2. Interruttore di corrente

Mettere l'interruttore in posizione OFF. Se la spina è infilata in una presa mentre l'interruttore è acceso, l'utensile elettrico si mette immediatamente in moto, facilitando il verificarsi di incidenti gravi.

##### 3. Prolunga del cavo

Quando l'ambiente di lavoro è lontano da una presa di corrente, usare una prolunga del cavo di sufficiente spessore e di prestazione adeguata. La prolunga deve essere più corta possibile.

##### 4. Scelta della punta appropriata

- Quando si fora cemento o pietra  
 Usare la punta indicata negli accessori disponibili a richiesta.  
 Quando si fora metallo o plastica  
 Usare una punta normale de metallo.

- Quando si fora il legno  
Usare una punta normale da legno. Tuttavia, quando si fanno fori da 6,5 mm o inferiori, usare una punta da metallo.

## 5. Installazione e rimozione delle punte.

### Per mandrino calettato (Fig. 1)

- (1) Aprire le ganasce del mandrino e inserire la punta nel mandrino.
- (2) Porre la chiave mandrino in ciascuno dei tre fori sul mandrino e girarla in senso orario (visto dal davanti). Serrare saldamente.
- (3) Per rimuovere la punta, porre la chiave mandrino in uno dei fori sul mandrino e girarla in senso antiorario.

### Per mandrino senza bietta (Fig. 2)

- (1) Montaggio della punta  
Girare il manico in senso antiorario e aprire il mandrino. Dopo aver inserito la punta trapano nel mandrino il più possibile, afferrare l'anello di trattenimento e chiudere il mandrino girando il manico in senso orario visto dal davanti.
- (2) Smontaggio della punta  
Afferrare l'anello di trattenimento e chiudere il mandrino girando il manico in senso antiorario.

## NOTA

Quando il manico non si allenta ulteriormente, fissare la maniglia laterale all'anello di trattenimento, tenere saldamente la maniglia laterale e quindi girare il manico per allentarlo a mano (Fig. 3).

## 6. Controllo della direzione di rotazione (Fig. 4)

Il trapano ruota in senso orario (visto dal retro) quando si preme il lato R del pulsante. Premere il lato L del pulsante per far girare il trapano in senso antiorario. (I segni (L) e (R) sono marcati sul corpo.)

### ATTENZIONE

Usando il trapano nel modo a impatto, inserire sempre la direzione di rotazione in senso orario.

## 7. Fissaggio dell'impugnatura laterale (Fig. 5)

Attaccare l'impugnatura laterale alla sezione di montaggio.

Ruotare il gancio dell'impugnatura laterale in senso orario per fissarla.

Regolare l'impugnatura laterale in una posizione che sia comoda per l'operazione e quindi stringerla fermamente il gancio. Per fissare un calibro di profondità all'impugnatura laterale, infilare il calibro nella scanalatura a forma di U sull'impugnatura laterale, regolare la posizione del calibro secondo la profondità desiderata per il foro e serrare saldamente la presa dell'impugnatura laterale. (Fig. 6)

## 8. Cambio da IMPATTO a ROTAZIONE (Fig. 7)

Spostare la leva del cambio tra le posizioni destra e sinistra per alternare facilmente rispettivamente tra IMPACT (rotazione e impatto) e ROTATION (solo rotazione).

Per trapanare fori in materiali duri come cemento, pietra e piastrelle, spostare la leva del cambio alla posizione destra (come indicato dal segno **T**). La punta del trapano agisce con una combinazione di impatto e rotazione.

Per trapanare fori in metallo, legno e plastica, spostare la leva del cambio sulla posizione di sinistra (come indicato dal segno **L**). La punta del trapano agisce solo in rotazione, come per un trapano elettrico normale.

## ATTENZIONE

- Non usare il trapano variabile battente e avvitatore nella posizione IMPACT se il materiale può essere forato dalla sola rotazione. Un tale fatto non solo diminuirà l'efficacia del trapano ma danneggerà anche la punta.
- Se si usa il trapano a percussione con la leva del cambio in posizione intermedia ne possono risultare danni. Quando si cambia posizione, assicurarsi di spostare la leva del cambio sulla posizione corretta.

## 9. Cambio di velocità:

Prima di cambiare velocità, assicurarsi che l'interruttore sia spento (posizione OFF) e che il trapano si sia arrestato del tutto.

Per cambiare velocità, ruotare la manopola di regolazione della velocità come indicato dalla freccia nella Fig. 8. Il numero "1" inciso sul corpo del trapano indica la velocità bassa ed il numero "2" indica la velocità alta.

Qualora risulti difficile ruotare la regolazione di velocità, ruotare leggermente il mandrino in entrambe le direzioni, quindi ruotare ancora la regolazione di velocità.

## MODO DI IMPIEGO

### 1. Uso dell'interruttore

- Quando il grilletto è premuto, l'utensile ruota. Quando il grilletto viene rilasciato, l'utensile si ferma.
- La velocità di rotazione del trapano può essere controllata variando la pressione esercitata sul grilletto. La velocità è bassa quando il grilletto interruttore è premuto leggermente e aumenta quando si preme maggiormente.
- La velocità di rotazione desiderata può essere impostata con il comando di velocità.  
Girare il comando di velocità in senso orario per velocità maggiori o in senso antiorario per velocità inferiori. (Fig. 9)
- Se si preme il grilletto e si spinge il fermo, si può mantenere la condizione attivata, comodo per il funzionamento continuo. Per spegnere, il fermo può essere sbloccata premendo di nuovo il grilletto.

### ATTENZIONE

Premendo il lato sinistro del pulsante per avviare la rotazione indietro, il fermo non potrà essere utilizzato.

### 2. Trapanatura

- Quando si trapano, avviare il trapano lentamente e aumentare gradualmente la velocità mentre si procede.
- Applicare sempre pressione in linea retta con la punta. Usare una pressione sufficiente a continuare la trapanatura ma non spingere con forza tale da bloccare il motore o deviare la punta.
- Per ridurre il minimo l'arresto del motore o il trapassamento del materiale, ridurre la pressione sul trapano e lasciare entrare la punta nella parte finale del foro.
- Se il trapano si blocca, rilasciare immediatamente il grilletto, estrarre la punta dal lavoro e ricominciare. Non premere e rilasciare il grilletto per riavviare il trapano bloccato. Questo potrebbe danneggiare il trapano.
- Quando più grande è il diametro della punta del trapano, tanto maggiore sarà la forza esercitata sul braccio dell'operatore.

Fare attenzione a non perdere controllo del trapano a causa di questa forza di reazione.

Per mantenere un controllo saldo, piazzare bene i piedi, usare la maniglia laterale, tenere saldamente il trapano con entrambe le mani e assicurarsi che il trapano sia verticale rispetto al materiale da trapanare.

## MANUTENZIONE E CONTROLLI

### 1. Ispezione delle punte trapano

Poiché l'uso di punte trapano usurate causa problemi di funzionamento del motore e una minore efficienza, sostituire le punte trapano con altre nuove o riaffilarle subito quando si nota usura.

### 2. Controllo delle punte perforanti e dei maschi

Poiché l'uso continuativo di una punta perforante o di un maschio logorati può diminuire la capacità di funzionamento e provocare eventuali sovraccarichi al motore, sostituire o affilare la punta perforante od il maschio, senza indugio, quando si nota una eccessiva usura.

### 3. Manutenzione del motore

L'avvolgimento del motore è il vero e proprio "cuore" dell'utensili elettrici. Fare attenzione a non danneggiare l'avvolgimento e/o a non bagnarlo con olio o acqua.

### 4. Ispezione delle spazzole di carbone

Per mantenere la vostra sicurezza e la protezione da scosse elettriche, l'ispezione delle spazzole di carbone e la loro sostituzione su questo utensile deve essere eseguita SOLO da un centro assistenza autorizzato Hitachi.

### 5. Sostituzione del cavo di alimentazione

Se il cavo di alimentazione dell'attrezzo è danneggiato, l'attrezzo deve essere rinviato ad un centro assistenza autorizzato Hitachi per la sostituzione del cavo.

### 6. Lista dei pezzi di ricambio

- A: N. voce
- B: N. codice
- C: N. uso
- D: Note

### ATTENZIONE

Riparazioni, modifiche e ispezioni di utensili elettrici Hitachi devono essere eseguite da un centro assistenza autorizzato Hitachi.

Questa lista dei pezzi torna utile se viene presentata con l'utensile al centro assistenza autorizzato Hitachi quando si richiedono riparazioni o altri interventi di manutenzione.

Nell'uso e nella manutenzione degli utensili elettrici devono essere osservate le normative di sicurezza e i criteri prescritti in ciascun paese.

### MODIFICHE

Gli utensili elettrici Hitachi vengono continuamente migliorati e modificati per includere le più recenti innovazioni tecnologiche.

Di conseguenza, alcuni pezzi (p.es. numero di codice e/o design) possono essere modificati senza preavviso.

## GARANZIA

Garantiamo gli Utensili Elettrici Hitachi in conformità alle specifiche normative imposte dalla legge e dai paesi. Questa garanzia non copre difetti o danni dovuti a uso erraneo, abuso o normale usura. In caso di lamentele, si prega di inviare l'Utensile Elettrico, non smontato, insieme al CERTIFICATO DI GARANZIA che si trova al termine di queste Istruzioni per l'uso, ad un Centro di Assistenza Autorizzato Hitachi.

### NOTA

A causa del continuo programma di ricerca e sviluppo della HITACHI, le caratteristiche riportate in questo foglio sono soggette a cambiamenti senza preventiva comunicazione.

### Informazioni riguardanti i rumori trasmessi dall'aria e le vibrazioni

I valori misurati sono stati determinati in conformità a EN60745 e descritti in conformità alla normativa ISO 4871.

Livello misurato di potenza sonora pesato A: 110 dB (A)

Livello misurato di pressione sonora pesato A: 99 dB (A)

KpA incertezza: 3 dB (A)

Indossare i dispositivi di protezione acustica.

Valori totali di vibrazione (somma vettori triass.) determinati secondo la norma EN60745.

Trapanatura a percussione nel calcestruzzo:

Valore di emissione vibrazioni **a<sub>h</sub>**, **I<sub>D</sub>** = 16,0 m/s<sup>2</sup>

Incertezza K = 1,8 m/s<sup>2</sup>

### AVVERTENZA

- Il valore di emissione vibrazioni durante l'uso effettivo dell'utensile può essere diverso dal valore dichiarato in base alle modalità di utilizzo dell'utensile stesso.
- Per individuare le misure di sicurezza per la protezione dell'operatore basate su stima dell'esposizione nelle effettive condizioni di utilizzo (prendendo in considerazione tutte le parti del ciclo di funzionamento come i tempi in cui l'utensile resta spento e quando funziona senza essere utilizzato in aggiunta al tempo di avvio).

## ALGEMENE VEILIGHEIDSWAARSCHUWINGEN VOOR ELEKTRISCH GEREEDSCHAP

### WAARSCHUWING

Lees alle waarschuwingen en instructies aandachtig door. Nalating om de waarschuwingen en instructies op te volgen kan in een elektrische schok, brand en/of ernstig letsel resulteren.

Bewaar alle waarschuwingen en aanwijzingen voor eventuele naslag in de toekomst.

De term "elektrisch gereedschap" heeft zowel betrekking op elektrisch gereedschap dat via de netvoeding van stroom wordt voorzien als gereedschap dat via een accu (snoerloos) van stroom wordt voorzien.

#### 1) Veiligheid van de werkplek

- Zorg voor een schone en goed verlichte werkplek.**  
*Een rommelige of donkere werkplek verhoogt de kans op ongelukken.*
- Gebruik het elektrisch gereedschap niet in een omgeving met ontplofbare vloeistoffen, gasen of stof.**  
*Elektrisch gereedschap kan vonken afgeven. Deze vonkjes kunnen stofdeeltjes of gasen doen ontbranden.*
- Houd kinderen en andere toeschouwers tijdens het gebruik van elektrische gereedschap uit de buurt.**  
*Afleidingen kunnen gevaarlijk zijn.*

#### 2) Elektrische veiligheid

- De stekker op het elektrische gereedschap moet geschikt zijn voor aansluiting op de wandcontactdoos.**  
**De stekker mag op geen enkele manier gemodificeerd worden. Gebruik geen verloopstekker met geaard elektrisch gereedschap.**  
*Deugdelijke stekkers en geschikte wandcontactdozen verminderen het risico op een elektrische schok.*
- Vermijd lichamelijk contact met geaarde oppervlakken zoals leidingen, radiatoren, fornuizen en koelkasten.**  
*Wanneer uw lichaam in contact staat met geaarde oppervlakken loopt u een groter risico op een elektrische schok.*
- Stel het elektrisch gereedschap niet bloot aan regen of vochtige omstandigheden.**  
*Het risico op een elektrische schok wordt vergroot wanneer er water in het elektrisch gereedschap terechtkomt.*
- Behandel het snoer voorzichtig. Draag het gereedschap nooit door dit bij het snoer vast te houden. Trek niet aan het snoer wanneer u de stekker uit het stopcontact wilt halen.**  
**Houd het snoer uit de buurt van warmtebronnen, olie, scherpe randen of bewegende onderdelen.**  
*Een beschadigd of verward snoer verhoogt het risico op een elektrische schok.*
- Gebruik buitenshuis een verlengsnoer dat specifiek geschikt is voor het gebruik buiten.**  
*Het gebruik van een snoer dat specifiek geschikt is voor gebruik buitenshuis vermindert het risico op een elektrische schok.*
- Als het elektrisch gereedschap in een vochtige omgeving gebruikt moet worden, dient een voeding met RCD (reststroom-apparaat) beveiligd te worden gebruikt.**  
*Gebruik van een RCD vermindert de kans op een elektrische schok.*

#### 3) Persoonlijke veiligheid

- Blijf waakzaam, let voortdurend op uw werk en gebruik uw gezond verstand wanneer u elektrisch gereedschap gebruikt.**  
**Gebruik geen elektrisch gereedschap wanneer u moe bent of onder invloed van drugs, alcohol of medicijnen.**

*Eén moment van onoplettendheid kan in ernstig lichamelijk letsel resulteren.*

- Gebruik persoonlijke beschermingsmiddelen. Draag altijd oogbescherming.**  
*Beschermingsmiddelen zoals stofmaskers, niet-glijdende veiligheidsschoenen, een helm of oorbescherming vermindert het risico op lichamelijk letsel.*
  - Voorkom dat het gereedschap per ongeluk kan starten. Controleer of de schakelaar in de uit-stand staat voordat u de voeding en/of de accu aansluit, het gereedschap oppakt of gaat dragen.**  
*Zorg ervoor dat u tijdens het verplaatsen van het elektrisch gereedschap uw vingers uit de buurt van de schakelaar houdt en sluit de stroombron niet aan terwijl de schakelaar op aan staat om ongelukken te vermijden.*
  - Verwijder sleutels en moersleutels uit het gereedschap voordat u het elektrisch gereedschap aanzet.**  
*Een (moer-)sleutel die op een bewegend onderdeel van het elektrisch gereedschap bevestigd is kan in lichamelijk letsel resulteren.*
  - Reik niet te ver. Zorg ervoor dat u te allen tijde stevig staat en uw evenwicht behoudt.**  
*Op deze manier heeft u tijdens een onverwachte situatie meer controle over het elektrisch gereedschap.*
  - Draag geen loszittende kleding of sieraden. Houd uw haar, kleding en handschoenen uit de buurt van bewegende onderdelen.**  
*Loszittende kleding, sieraden en lang haar kunnen in de bewegende onderdelen verstrikt raken.*
  - Indien het elektrisch gereedschap van een aansluiting voor stofafzuiging is voorzien dan dient u ervoor te zorgen dat de stofafzuiging aangesloten en op de juiste manier gebruikt wordt.**  
*Het gebruik van stofafzuiging vermindert eventuele stofgerelateerde risico's.*
- #### 4) Bediening en onderhoud van elektrisch gereedschap
- Het elektrisch gereedschap mag niet geforceerd worden. Gebruik het juiste gereedschap voor het karwei.**  
*U kunt de klus beter en veiliger uitvoeren wanneer u het juiste elektrische gereedschap gebruikt.*
  - Gebruik het elektrisch gereedschap niet als de schakelaar niet goed werkt.**  
*Elektrisch gereedschap dat niet via de schakelaar bediend kan worden is gevaarlijk en moet onmiddellijk gerepareerd worden.*
  - Haal de stekker uit het stopcontact voordat u de voeding en/of de accu van het elektrisch gereedschap losmaakt, afstellingen verricht, accessoires verwisselt of voordat u het elektrisch gereedschap opbergt.**  
*Dergelijke preventieve veiligheidsmaatregelen verminderen het risico dat het elektrisch gereedschap per ongeluk opstart.*
  - Berg elektrisch gereedschap buiten het bereik van kinderen op en sta niet toe dat personen die niet bekend zijn met het juiste gebruik van het gereedschap of deze voorschriften dit elektrisch gereedschap gebruiken.**  
*Elektrisch gereedschap is gevaarlijk in onbevoegde handen.*
  - Het elektrisch gereedschap moet regelmatig onderhouden worden. Controleer het gereedschap op een foutieve uitlijning, vastgelopen of defecte bewegende onderdelen en andere problemen die van invloed zijn op de juiste werking van het gereedschap.**  
**Indien het gereedschap defect of beschadigd is moet het gerepareerd worden voordat u het gereedschap opnieuw gebruikt.**

*Slecht onderhouden elektrisch gereedschap is verantwoordelijk voor een groot aantal doe-het-zelf ongelukken.*

- f) **Houd snijwerktuigen scherp en schoon.**  
Goed onderhouden snijwerktuigen met scherpe snijranden lopen minder snel vast en zijn gemakkelijker in het gebruik.
- g) **Elektrisch gereedschap, toebehoren, bits enz. moeten in overeenstemming met deze instructies worden gebruikt waarbij de werkomstandigheden en het werk in overweging moeten worden genomen.**  
Gebruik van het elektrisch gereedschap voor andere doeleinden dan waarvoor het is bedoelt, kan resulteren in een gevaarlijke situatie.
- 5) **Onderhoudsbeurt**
- a) **Het gereedschap mag uitsluitend door bevoegd onderhoudspersoneel worden onderhouden die authenticiteit onderdelen gebruikt.**  
*Hierdoor kunt u erop aan dat de veiligheid van het elektrisch gereedschap behouden blijft.*

#### VOORZORGMATREGELEN

Houd kinderen en kwetsbare personen op een afstand.

Het gereedschap moet na gebruik buiten het bereik van kinderen en andere kwetsbare personen worden opgeborgen.

#### TECHNISCHE GEGEVENS

Voltage (verschillende van gebied tot gebied)*		(110V, 220V, 230V, 240V) ~	
Opgenomen vermogen		690 W*	
Snelheden		1	2
Toerental onbelast	Rechtsregeling	0 – 1000 min <sup>-1</sup>	0 – 3000 min <sup>-1</sup>
	Linksregeling	0 – 600 min <sup>-1</sup>	0 – 1800 min <sup>-1</sup>
Capaciteit	Staal	13 mm	8 mm
	Beton	18 mm	13 mm
	Hout	40 mm	25 mm
Aantal slagen belast 34500 min <sup>-1</sup>		8400 min <sup>-1</sup>	27300 min <sup>-1</sup>
Gewicht (zonder kabel)		2,0 kg	

\*Kontroleer het naamplaatje op het apparaat, daar het apparaat afhankelijk van het gebied waar het verkocht wordt gewijzigd kan worden.

#### STANDARD TOEBEHOREN

- (1) Boorhoudersleutel (Spec. uitsluitend voor boorkop met sleutel) ..... 1
- (2) Handgreep ..... 1
- (3) Dieptemeter ..... 1
- De standaard toebehoren kunnen zonder aankondiging op ieder moment worden veranderd.

#### EXTRA TOEBEHOREN (los te verkrijgen)

- (1) Impact boorstuk (voor beton)  
3,2 mm – 18 mm diameter
- De extra toebehoren kunnen zonder aankondiging op ieder moment worden veranderd.

#### TOEPASSINGSGBIEDEN

- Bij gekombineerde actie van DRAAIEN en SLAG:  
Boren van gaten in harde oppervlakten (beton, marmer, graniet, tegels enz.)

#### VEILIGHEIDSWAARSCHUWINGEN VOOR DE KLOP-BOORMACHINE

- Draag gehoorbescherming tijdens het gebruik van klopboormachines.**  
Blootstelling aan lawaai kan tot gehoorverlies leiden.
- Gebruik de extra handgrepen die met het gereedschap zijn meegeleverd.**  
Verlies van controle over het gereedschap kan in lichamelijk letsel resulteren.
- Voordat men in een muur, vloer of plafond boort, moet men zich er eerst van overtuigd hebben, dat zich daaronder geen elektrische kabels bevinden.
- Gebruik altijd de zijhandgreep en houd het gereedschap stevig met beide handen vast.
- Gebruik de slag-schroefboor altijd met de draairichting naar rechts wanneer deze gebruikt wordt als slagboor. (Afb. 10)

- Bij ROTERENDE actie:  
Boren van gaten in metaal, hout en plastic.

#### VOOR BEGIN VAN HET WERK

- Netspanning**  
Controleren of de netspanning overeenkomt met de opgave op het naamplaatje.
- Netschakelaar**  
Controleren of de entschakelaar op "UIT" staat. Wanneer de stekker op het net aangesloten is, terwijl de schakelaar op "AAN" staat, begint het gereedschap onmiddellijk te draaien, hetwelk ernstig gevaar betekent.
- Verlengsnoer**  
Wanneer het werkterrein niet in de buurt van een stopcontact ligt, dan moet men gebruik maken van een verlengsnoer, dat voldoende dwarsprofiel en voldoende nominaal vermogen heeft. Het verlengsnoer moet zo kort mogelijk gehouden worden.

#### 4. De keuze van de juiste boor

- Bij boren in beton of steen  
Gebruik maken van de boren, die genoemd werden bij de extra toebehoren.
- Bij boren in metaal of kunststof  
Gebruik maken van een normale metaalboor.
- Bij boren in hout  
Gebruik maken van een normale houtboor. Voor gaten van 6,5 mm of kleiner maakt men gebruik van een metaalboor.

#### 5. Monteren en verwijderen van de boren

##### Voor boorkop met sleutel (Afb. 1)

- (1) Open de klemmen in de boorkop en steek de boor naar binnen.
- (2) Doe de boorkopsleutel beurtelings in elk van de drie gaten in de boorkop en draai de sleutel met de klok mee (van voren gezien). Zet de boor goed vast.
- (3) Om de boor te verwijderen dient u de boorkopsleutel in een van de gaten in de boorkop te doen en vervolgens tegen de klok in te draaien.

##### Voor een sleutellose boorkop (Afb. 2)

- (1) Bevestigen van het boorstuk  
Draai de huls tegen de klok in en open de boorkop. Steek het boorstuk zo ver als mogelijk in de boorkop, houd de borging vast en sluit de boorkop door de huls vanaf de voorkant gezien met de klok mee te draaien.
- (2) Verwijderen van het boorstuk  
Houd de borging vast en open de boorkop door de huls tegen de klok in te draaien.

#### OPMERKING

Wanneer de huls niet verder los komt, moet u de zijhendel aan de borging bevestigen, de zijhendel stevig vasthouden en dan de huls met de hand losdraaien. (Afb. 3)

#### 6. Controleer de draairichting (Afb. 4)

De boor draait met de klok mee (van achteren gezien) wanneer u op de R-kant van de drukknop drukt. De L-kant van de drukknop dient u in te drukken als u de boor tegen de klok in wilt laten draaien. (Op de behuizing bevinden zich de (L) en (R) merktekens.)

#### VOORZICHTIG

Gebruik de slag-schroefboor altijd met de draairichting naar rechts wanneer deze gebruikt wordt als slagboor.

#### 7. Het aanbrengen van de handgreep (Afb. 5)

Monteer de handgreep op het daarvoor bestemde bevestigingspunt.

Draai de handgreep nu rechtsom om deze vast te zetten. Zet de handgreep in de gewenste positie voor het soort werk dat u wilt uitvoeren, en draai de handgreep vervolgens stevig vast. Voor het aanbrengen van een diepteaanslag aan de zijhendel, kunt u deze in de U-vormige groef van de zijhendel doen, stel vervolgens de gewenste diepte van het gat in en draai tenslotte de greep van de zijhendel stevig aan. (Afb. 6)

#### 8. Het omschakelen van SLAGBOORROTATIE naar normale BOORROTATIE (Afb. 7)

Zet de hendel in de rechter of linker stand om te kiezen tussen respectievelijk IMPACT (boren en kloppen) en ROTATION (alleen boren).

Om gaten in harde materialen zoals beton, steen of tegels te boren, dient u de hendel in de rechter stand (zoals aangegeven door het **T** teken) te zetten. De boor zal nu tegelijk kloppen en boren.

Om gaten in metaal, hout en plastic te boren, dient u de hendel in de linker stand (zoals aangegeven door het **2** teken) te zetten. De boor zal nu alleen boren zoals met een gewone elektrische boormachine.

#### VOORZICHTIG

- De slagboor niet gebruiken met SLAGBOORROTATIE, wanneer het materiaal met de normale boorrotatie geboord kan worden. Men vermindert daardoor niet alleen het vermogen van de boor, de boorpunt kan tevens beschadigd worden.
- Gebruik van de klopbormachine met de hendel in het midden kan leiden tot schade. Zorg ervoor dat u de hendel helemaal in de gewenste stand zet.

#### 9. Omschakelen van een hoog toerental naar een laag toerental:

Voor het veranderen van toerental moet men zich ervan overtuigen dat de schakelaar op UIT staat en de boor zich niet meer beweegt.

Voor het veranderen van toerental draait u de toerentalkiezer in de gewenste richting, zoals aangeduid wordt in Afb. 8 d.m.v. de pijl. Het op de kast ingeslagen d.m.v. de pijl. Het op de kast ingeslagen cijfer "1" betekent laag toerental, het cijfer "2" betekent een hoog toerental.

Indien het moeilijk is om de toerentalkiezer te draaien, draai de boorkop dan eerst enigszins naar rechts of links en probeer de toerentalkiezer vervolgens opnieuw te draaien.

---

#### GEBRUIK

---

##### 1. Bediening van de schakelaar

- Wanneer u de trekker indrukt, gaat het gereedschap draaien.  
Wanneer u de trekker loslaat, stopt het gereedschap.
- Het toerental van de boormachine regelt u door de trekker meer of minder in te drukken. Het toerental is laag als u de trekker minder indrukt, en neemt toe naarmate u de trekker verder indrukt.
- U kunt van tevoren het gewenste toerental instellen met de toerentalregeling. Draai de toerentalregeling met de klok mee voor een hoger toerental, of tegen de klok in voor een lager toerental. (Afb. 9)
- Als u de trekker indrukt en vervolgens de vergrendeling gebruikt, zal de boormachine met het ingestelde toerental blijven draaien. Druk de trekker nog eens een beetje in om de vergrendeling op te heffen en de boormachine uit te kunnen schakelen.

##### VOORZICHTIG

De stopper kan niet gebruikt worden wanneer de L-kant van de drukknop voor de linksregeling is ingedrukt.

##### 2. Boren

- Bij het boren dient u langzaam te beginnen en het toerental geleidelijk op te voeren.
- Oefen altijd uitsluiten druk uit in het verlengde van de boor. Gebruik voldoende druk om voortgang te boeken, maar niet zo veel dat de boormachine vastloopt of de boor verbuigt of breekt.
- Om vastlopen en breuk van het materiaal te voorkomen, dient u de druk op de boor te verminderen naarmate u het eind nadert.



- Als de boor vastloopt, moet u onmiddellijk de trekkerschakelaar los laten, vervolgens dient u de boor uit het materiaal te verwijderen en opnieuw te beginnen. Probeer niet de boor met de trekkerschakelaar herhaaldelijk aan en uit te zetten, want hierdoor kan de boor beschadigd worden.
- Hoe groter de boordiameter, hoe groter de torsiekrachten op uw arm. Wees voorzichtig dat u de controle over de boormachine niet verliest door deze torsiekrachten.  
Om de machine onder controle te kunnen houden, dient u ervoor te zorgen dat u stevig staat, dient u de zijhendel te gebruiken, de boormachine stevig met beide handen vast te houden en dient u ervoor te zorgen dat de boor verticaal op het te boren materiaal staat.

---

## ONDERHOUD EN INSPECTIE

---

### 1. Inspecteren van de boren

Omdat gebruik van versleten boren tot motorstoringen en verminderde doelmatigheid kan leiden, dient u versleten boren te vervangen door nieuwe, of te slijpen zodra u merkt dat ze bot geworden zijn.

### 2. Inspectie van de boor en schroefdraadsnijder

Aangezien het verder gebruiken van een versleten boor of schroefdraadsnijder het bedrijfsvermogen vermindert en eventueel een overbelasting van de motor kan veroorzaken, moet de boor of schroefdraadsnijder meteen vervangen of geslepen worden, wanneer een bovenmatige slijtage worden, wanneer een bovenmatige slijtage wordt vastgesteld.

### 3. Onderhoud van de motor

De motorwikkeling is het "hart" van het elektrische gereedschap. Er moet daarom bijzonder zorgvuldig op gelet worden, dat de wikkeling niet beschadigd en/of met olie of water bevochtigd wordt.

### 4. Inspecteren van de koolborstels

Met het oog op uw veiligheid en om elektrische schokken te voorkomen, mag inspectie en vervanging van de koolborstels ALLEEN uitgevoerd worden door een erkend Hitachi Service-centrum.

### 5. Vervangen van het stroomsnoer

Als het stroomsnoer van het gereedschap beschadigd raakt, moet het gereedschap aan een erkend Hitachi Service-centrum worden geretourneerd om het stroomsnoer te laten vervangen.

### 6. Lijst vervangingsonderdelen

- A: Ond.nr.
- B: Codenr.
- C: Gebr.nr.
- D: Opm.

### LET OP

Reparatie, modificatie en inspectie van Hitachi elektrisch gereedschap dient te worden uitgevoerd door een erkend Hitachi Service-centrum.

Deze Onderdelenlijst komt van pas wanneer u deze samen met het gereedschap aanbiedt bij het erkende Hitachi Service-centrum wanneer u om reparatie of ander onderhoud verzoekt.

Bij gebruik en onderhoud van elektrisch gereedschap dienen de in het land waar u zich bevindt geldende veiligheidsregelgeving en veiligheidsstandaarden strikt te worden opgevolgd.

## MODIFICATIES

Hitachi elektrisch gereedschap wordt voortdurend verbeterd en gewijzigd teneinde gebruik te kunnen maken van de nieuwste technische ontwikkelingen. Daarom is mogelijk dat sommige onderdelen (zoals codenummers en/of ontwerp) zonder voorafgaande kennisgeving gewijzigd worden.

---

## GARANTIE

---

De garantie op het elektrisch gereedschap van Hitachi is in overeenstemming met de wettelijke/landspecifieke richtlijnen. Deze garantie dekt geen defecten of schade als gevolg van foutief gebruik, misbruik of normale slijtage. In geval van klachten verzoeken wij u het elektrisch gereedschap samen met het GARANTIECERTIFICAAT dat u achterin deze handleiding aantreft naar een erkend servicecentrum van Hitachi te sturen. Indien door de gebruiker de machine wordt gedemonteerd vervalt de aanspraak op garantie.

---

## AANTEKENING

---

Op grond van het voortdurende research-en ontwikkelingsprogramma van HITACHI zijn veranderingen van de hierin genoemde technische opgaven voorbehouden.

---

## Informatie betreffende luchtgeluid en trillingen

De gemeten waarden zijn verkregen overeenkomstig EN60745 en voldoen aan de eisen van ISO 4871.

Gemeten A-gewogen geluidsniveau: 110 dB (A)

Gemeten A-gewogen geluidsdrukniveau: 99 dB (A)

Onzekerheid KpA: 3 dB (A)

Draag gehoorbescherming.

Totale trillingswaarden (triax vector som) bepaald overeenkomstig EN60745.

Klopboren in beton:

Trillingsemisiewaarde **ah, ID** = 16,0 m/s<sup>2</sup>

Onzekerheid K = 1,8 m/s<sup>2</sup>

---

## WAARSCHUWING

- De trillingsemisiewaarde tijdens het feitelijke gebruik van het elektrisch gereedschap kan afwijken van de opgegeven waarde afhankelijk van de manieren waarop het gereedschap wordt gebruikt.
- Neem kennis van de veiligheidsmaatregelen voor de bescherming van de operator welke gebaseerd zijn op een schatting van de blootstelling onder feitelijke gebruiksomstandigheden (rekening houdend met alle onderdelen van de gebruikscyclus, zoals de tijd dat het gereedschap is uitgeschakeld en wanneer dit onbelast draait inclusief de triggertijd).

## ADVERTENCIAS DE SEGURIDAD GENERAL DE LA HERRAMIENTA ELÉCTRICA

### ⚠ ADVERTENCIA

Lea todas las instrucciones y advertencias de seguridad. Si no se siguen las advertencias e instrucciones, podría producirse una descarga eléctrica, un incendio y/o daños graves.

Guarde todas las advertencias e instrucciones para futura referencia.

El término "herramienta eléctrica" en las advertencias hace referencia a la herramienta eléctrica que funciona con la red de suministro (con cable) o a la herramienta eléctrica que funciona con pilas (sin cable).

#### 1) Seguridad del área de trabajo

- Mantenga la zona de trabajo limpia y bien iluminada.**  
*Las zonas desordenadas u oscuras pueden provocar accidentes.*
- No utilice las herramientas eléctricas en entornos explosivos como, por ejemplo, en presencia de líquidos inflamables, gases o polvo.**  
*Las herramientas eléctricas crean chispas que pueden inflamar el polvo o los humos.*
- Mantenga a los niños y transeúntes alejados cuando utilice una herramienta eléctrica.**  
*Las distracciones pueden hacer que pierda el control.*

#### 2) Seguridad eléctrica

- Los enchufes de las herramientas eléctricas tienen que ser adecuados a la toma de corriente. No modifique el enchufe. No utilice enchufes adaptadores con herramientas eléctricas conectadas a tierra.**  
*Si no se modifican los enchufes y se utilizan tomas de corriente adecuadas se reducirá el riesgo de descarga eléctrica.*
- Evite el contacto corporal con superficies conectadas a tierra como tuberías, radiadores y frigoríficos.**  
*Hay mayor riesgo de descarga eléctrica si su cuerpo está en contacto con el suelo.*
- No exponga las herramientas eléctricas a la lluvia o a la humedad.**  
*La entrada de agua en una herramienta eléctrica aumentará el riesgo de descarga eléctrica.*
- No utilice el cable incorrectamente. No utilice el cable para transportar, tirar de la herramienta eléctrica o desenchufarla.**  
**Mantenga el cable alejado del calor, del aceite, de bordes afilados o piezas móviles.**  
*Los cables dañados o enredados aumentan el riesgo de descarga eléctrica.*
- Cuando utilice una herramienta eléctrica al aire libre, utilice un cable prolongador adecuado para utilizarse al aire libre.**  
*La utilización de un cable adecuado para usarse al aire libre reduce el riesgo de descarga eléctrica.*
- Si no se puede evitar el uso de una herramienta eléctrica en un lugar húmedo, utilice un suministro protegido mediante un dispositivo de corriente residual (RCD).**  
*El uso de un RCD reduce el riesgo de descarga eléctrica.*

#### 3) Seguridad personal

- Esté atento, preste atención a lo que hace y utilice el sentido común cuando utilice una herramienta eléctrica. No utilice una herramienta eléctrica cuando esté cansado o esté bajo la influencia de drogas, alcohol o medicación.**

La distracción momentánea cuando utiliza herramientas eléctricas puede dar lugar a importantes daños personales.

- Utilice un equipo de protección. Utilice siempre una protección ocular.**  
*El equipo de protección como máscara para el polvo, zapatos de seguridad antideslizantes, casco o protección para oídos utilizado para condiciones adecuadas reducirá los daños personales.*
  - Evite un inicio involuntario. Asegúrese de que el interruptor está en "off" antes de conectar la herramienta a una fuente de alimentación y/o batería, cogerla o transportarla.**  
*El transporte de herramientas eléctricas con el dedo en el interruptor o el encendido de herramientas eléctricas con el interruptor encendido puede provocar accidentes.*
  - Retire las llaves de ajuste antes de encender la herramienta eléctrica.**  
*Si se deja una llave en una pieza giratoria de la herramienta eléctrica podrían producirse daños personales.*
  - No se extralimite. Mantenga un equilibrio adecuado en todo momento.**  
*Esto permite un mayor control de la herramienta eléctrica en situaciones inesperadas.*
  - Vístase adecuadamente. No lleve prendas sueltas o joyas. Mantenga el pelo, la ropa y los guantes alejados de las piezas móviles.**  
*La ropa suelta, las joyas y el pelo largo pueden pillarse en las piezas móviles.*
  - Si se proporcionan dispositivos para la conexión de extracción de polvo e instalaciones de recogida, asegúrese de que están conectados y se utilizan adecuadamente.**  
*La utilización de un sistema de recogida de polvo puede reducir los riesgos relacionados con el polvo.*
- #### 4) Utilización y mantenimiento de las herramientas eléctricas
- No fuerce la herramienta eléctrica. Utilice la herramienta eléctrica correcta para su aplicación.**  
*La herramienta eléctrica correcta trabajará mejor y de forma más segura si se utiliza a la velocidad para la que fue diseñada.*
  - No utilice la herramienta eléctrica si el interruptor no la enciende y apaga.**  
*Las herramientas eléctricas que no pueden controlarse con el interruptor son peligrosas y deben repararse.*
  - Desconecte el enchufe de la fuente eléctrica y/o la batería de la herramienta eléctrica antes de hacer ajustes, cambiar accesorios o almacenar herramientas eléctricas.**  
*Estas medidas de seguridad preventivas reducen el riesgo de que la herramienta eléctrica se ponga en marcha accidentalmente.*
  - Guarde las herramientas eléctricas que no se utilicen para que no las cojan los niños y no permita que utilicen las herramientas eléctricas personas no familiarizadas con las mismas o con estas instrucciones.**  
*Las herramientas eléctricas son peligrosas si son utilizadas por usuarios sin formación.*
  - Mantenimiento de las herramientas eléctricas. Compruebe si las piezas móviles están mal alineadas o unidas, si hay alguna pieza rota u otra condición que pudiera afectar al funcionamiento de las herramientas eléctricas.**  
*Si la herramienta eléctrica está dañada, llévela a reparar antes de utilizarla.*

Se producen muchos accidentes por no realizar un mantenimiento correcto de las herramientas eléctricas.

- f) **Mantenga las herramientas de corte afiladas y limpias.** Las herramientas de corte correctamente mantenidas con los bordes de corte afilados son más fáciles de controlar.
- g) **Utilice la herramienta eléctrica, los accesorios y las brocas de la herramienta, etc. de acuerdo con estas instrucciones, teniendo en cuenta las condiciones laborales y el trabajo que se va a realizar.**

La utilización de la herramienta eléctrica para operaciones diferentes a aquellas pretendidas podría dar lugar a una situación peligrosa.

#### 5) Revisión

- a) **Lleve su herramienta a que la revise un experto cualificado que utilice sólo piezas de repuesto idénticas. Esto garantizará el mantenimiento de la seguridad de la herramienta eléctrica.**

#### PRECAUCIÓN

**Mantenga a los niños y a las personas enfermas alejadas. Cuando no se utilicen, las herramientas deben almacenarse fuera del alcance de los niños y de las personas enfermas.**

#### ADVERTENCIAS DE SEGURIDAD DEL TALADRO DE PERCUSIÓN

- Utilice protección de oídos con taladros de impacto.** La exposición al ruido puede causar daños auditivos.
- Utilice los mangos auxiliares proporcionados con la herramienta.** La pérdida de control puede causar daños personales.
- Antes de taladrar en paredes, techos o suelos asegurarse de que no haya empotrados dentro cables eléctricos.
- Utilice siempre el asidero lateral y sujete bien la herramienta con ambas manos.
- Usar siempre el taladro-destornillador de impacto con rotación a derecha, cuando se lo emplea como taladro de impacto. (Fig. 10)

#### ESPECIFICACIONES

Voltaje (por áreas)*		(110V, 220V, 230V, 240V) ~	
Acometida		690 W*	
Alteración de velocidad		1	2
Velocidad de marcha en vacío	Rotación hacia delante	0 – 1000 min <sup>-1</sup>	0 – 3000 min <sup>-1</sup>
	Rotación hacia atrás	0 – 600 min <sup>-1</sup>	0 – 1800 min <sup>-1</sup>
Capacidad	Acero	13 mm	8 mm
	Hormigón	18 mm	13 mm
	Madera	40 mm	25 mm
Velocidad de percusión a plena carga		8400 min <sup>-1</sup>	27300 min <sup>-1</sup>
Peso (sin cable)		2,0 kg	

\*Verificar indefectiblemente los datos de la placa de características de la máquina, pues varían de acuerdo al país de destino.

#### ACCESORIOS ESTANDAR

- (1) Velvedor de mandril (Espec. sólo para mandril estriado) ..... 1
- (2) Asidero lateral ..... 1
- (3) Calibrador de profundidad ..... 1
- Accesorios estándar están sujetos a cambio sin previo aviso.

#### ACCESORIOS FACULTATIVOS

(de venta por separado)

- (1) Broca para taladradora de impacto (para hormigón) 3,2 – 18 mm de diámetro

Accesorios facultativos están sujetos a cambio sin previo aviso.

#### APLICACIONES

- Acciones combinadas de ROTACION e IMPACTO: Perforación de orificios en superficies duras (concreto, mármol, granito, roca, etc.)
- Acción de ROTACION: Por acción de orificios en metal, madera y plástico.

#### ANTES DE LA PUESTA EN MARCHA

##### 1. Alimentación

Asegurarse de que la acometida de red que ha de ser utilizada es conforme a las exigencias de corriente especificadas en la placa de características del producto.

##### 2. Conmutador de alimentación

Asegurarse de que el conmutador de acometida está en posición OFF (desconectado). Si el enchufe está conectado a la caja del enchufe mientras el conmutador de acometida está en posición ON (conectado) la herramienta eléctrica empezará a trajar inmediatamente, provocando un serio accidente.

##### 3. Cable de prolongación

Cuando está alejada el área de trabajo de la red de acometida, usar un cable de prolongación de un grosor suficiente y potencia nominal. El cable de prolongación debe ser mantenido o más corto posible.

##### 4. Seleccionar la broca de taladro apropiada

- Caso de perforar hormigón o piedra
- Usar las brocas de taladro especificadas en los accesorios facultativos.

- Perforando metal o plástico  
Usar una broca de taladro ordinaria para trabajos en metal.
- Perforando madera  
Usar una broca de taladro ordinaria para trabajos en madera. En cualquier caso, perforando orificios de 6,5 mm, o menos, usar una broca de taladro para trabajos en metal.

## 5. Montaje y desmontaje de las brocas

### Para mandril estriado (Fig. 1)

- (1) Abra las mordazas del portabrocas e inserte la broca en el portabrocas.
- (2) Coloque la llave del portabrocas en cada uno de los tres orificios del portabrocas, y gírela en el sentido de las agujas del reloj (visto desde el lado delantero). Apriete firmemente.
- (3) Para sacar la broca, coloque la llave del portabrocas en uno de los orificios del portabrocas y gírela en el sentido contrario a las agujas del reloj.

### Para portabrocas sin llave (Fig. 2)

- (1) Montaje de la broca  
Gire el manguito en sentido contrario a las agujas del reloj y abra el portabrocas. Después de haber insertado la broca en el portabrocas hasta donde pueda entrar, sujete el anillo de retención y cierre el portabrocas girando el manguito hacia la derecha, visto desde la parte frontal.
- (2) Desmontaje de la broca  
Sujete al anillo de retención y abra el portabrocas girando el manguito hacia la izquierda.

## NOTA

Cuando el manguito no se afloje más, fije el asa lateral en el anillo de retención, sujete firmemente el asa, y después gire el manguito para aflojarlo manualmente (Fig. 3).

## 6. Verifique la dirección de rotación (Fig. 4).

La broca gira en el sentido de las agujas del reloj (visto desde el lado trasero) empujando el lado R del botón.

Si empuja el lado L del botón, la broca girará en sentido contrario a las agujas del reloj.

(Las marcas (L) y (R) están provistas en el cuerpo).

### PRECAUCION

Usar siempre el taladro-destornillador de impacto con rotación a derecha, cuando se lo emplea como taladro de impacto.

## 7. Montar el asidero lateral (Fig. 5)

Instale el asidero lateral en la parte de montaje.

Gire la empuñadura del asidero lateral hacia la derecha para asegurarla.

Coloque el asidero lateral en la posición adecuada para la operación, y después apriete firmemente la empuñadura del mismo. Para aplicar el calibrador de profundidad en el asidero lateral, insertar el calibrador en el hueco en forma de U en el asidero lateral, ajustar la posición del calibrador de profundidad de acuerdo con la profundidad de orificio deseada y apretar firmemente la empuñadura del asidero lateral. (Fig. 6)

## 8. Alteración de IMPACTO a ROTACION (Fig. 7)

Mover la palanca de cambio entre las posiciones derecha e izquierda para conmutar fácilmente entre IMPACTO (rotación e impacto) y ROTACION (sólo rotación) respectivamente.

Para perforar orificios en materiales duros como hormigón, piedra y baldosas, mover la palanca de cambio hasta la posición de la derecha (como indica la marca **T**). La broca de taladro funcionará combinando las acciones de impacto y de rotación. Para perforar orificios en metal, madera y plástico, mover la palanca de cambio hasta la posición de la izquierda (como indica la marca **I**). La broca de taladro funcionará sólo en sentido rotatorio, como un taladro eléctrico convencional.

## PRECAUCION

- No usar el taladro impulsor en la función IMPACTO si el material puede ser perforado en sólo rotación. Una acción de tal manera no sólo reduciría la eficiencia de taladro, sino que dañaría también la punta del taladrador.
  - Si utiliza el taladro de percusión con la palanca de cambio en la posición central, podrían producirse daños. Al conmutar, asegúrese de que mueva la palanca de cambio a la posición correcta.
- 9. Alteración de velocidad alta y velocidad baja:**  
Antes de alterar la velocidad, asegurarse de que el conmutador esta en posición OFF (desconectado) y que el taladrador haya parado completamente. Para alterar la velocidad girar el dial de cambio como indicada por la flecha en Fig. 8. El numeral "1" grabado en el cuerpo del taladrador denota velocidad baja, el numeral "2" denota velocidad alta. Si le cuesta girar el dial de cambio, gire el mandril ligeramente en cualquier dirección y luego vuelva a girar el dial de cambio.

## COMO SE USA

### 1. Operación del interruptor

- La herramienta gira al presionar el interruptor de gatillo. Al soltar el gatillo, la herramienta se detiene.
- La velocidad de rotación del taladro puede controlarse variando la fuerza de apriete del interruptor de gatillo. Apretando ligeramente el interruptor de gatillo la velocidad es lenta, pero aumenta mientras más se lo aprieta.
- Es posible seleccionar previamente la velocidad de rotación deseada con el dial de control de velocidad. Gire el dial de control de velocidad en el sentido a las agujas del reloj para aumentar la velocidad, y en sentido contrario para disminuirla. (Fig. 9).
- Tire del gatillo y empuje el tope para mantener activada la alimentación, lo cual es conveniente para un funcionamiento continuo. Cuando se lo desconecta, el tope puede quitarse tirando del gatillo otra vez.

### PRECAUCION

Si se pulsa el lado L del botón pulsador para girar la broca hacia atrás, no se puede usar el tope.

### 2. Taladrado

- Para taladrar, inicie el taladro lentamente, y aumente gradualmente la velocidad.
- Siempre aplique presión en línea recta a la broca. Aplique una presión suficiente para seguir taladrando, pero no empuje con una fuerza tal que pueda provocar el calado del motor o la desviación de la broca.
- Para reducir al mínimo el calado o la rotura a través del material, disminuya la presión aplicada al taladro y mueva la broca a través de la última parte del orificio.

- Si el taladro se atasca, suelte inmediatamente el gatillo, saque la broca de la pieza de trabajo y empiece otra vez. No haga clic en el gatillo para conectarlo y desconectarlo con la intención de poner en marcha el taladro atascado, pues se podrá dañar el taladro.
- Cuanto mayor sea el diámetro de la broca de taladro, mayor será la fuerza de reacción sobre su brazo. Asegúrese de no perder el control del taladro debido a esta fuerza de fricción.  
Para mantener un control firme, haga pie firme, utilice el asa lateral, sujete el taladro firmemente con ambas manos, y asegúrese de mantener el taladro vertical con respecto al material que se está taladrando.

## MANTENIMIENTO E INSPECCION

### 1. Inspección de las brocas de barrena

Debido a que el uso de brocas de barrena desgastadas producen fallos de funcionamiento del motor y una disminución de la eficiencia, cámbielas inmediatamente por otras nuevas o reafilelas cuando note abrasión en las mismas.

### 2. Inspeccionar la broca de taladro y el macho de roscar

Como el uso continuado de una broca o macho de roscar desgastados disminuye la eficiencia operativa y causa un posible recalentamiento del motor, reemplazar o afilar la broca o el macho sin demora si se nota un excesivo desgaste.

### 3. Mantenimiento d motor

La unidad de devanado del motor es el verdadero "corazón" del herramientas eléctricas. Prestar el mayor cuidado a asegurarse de que el devando no se dañe y/o se humedezca con aceite o agua.

### 4. Inspección de las escobillas

Por motivos de seguridad contra descargas eléctricas, la inspección y el reemplazo de las escobillas deberán realizarse SOLAMENTE en un Centro de Servicio Autorizado de Hitachi.

### 5. Reemplazo del cable de alimentación

Si el cable de alimentación de la herramienta está dañado, envíe la herramienta al Centro de Servicio Autorizado de Hitachi para que le cambien el cable de alimentación.

### 6. Lista de repuestos

- A: N°. ítem
- B: N°. código
- C: N°. usado
- D: Observaciones

## PRECAUCIÓN

La reparación, modificación e inspección de las herramientas eléctricas Hitachi deben ser realizadas por un Centro de Servicio Autorizado de Hitachi.

Esta lista de repuestos será de utilidad si es presentada junto con la herramienta al Centro de Servicio Autorizado de Hitachi, para solicitar la reparación o cualquier otro tipo de mantenimiento.

En el manejo y el mantenimiento de las herramientas eléctricas, se deberán observar las normas y reglamentos vigentes en cada país.

## MODIFICACIONES

Hitachi Power Tools introduce constantemente mejoras y modificaciones para incorporar los últimos avances tecnológicos.

Por consiguiente, algunas partes (por ejemplo, números de códigos y/o diseño) pueden ser modificadas sin previo aviso.

## GARANTÍA

Las herramientas motorizadas de Hitachi incluye una garantía conforme al reglamento específico legal/nacional. Esta garantía no cubre los defectos o daños debidos al uso incorrecto, el abuso o el desgaste normal. En caso de reclamación, envíe la herramienta motorizada, sin desmontar y con el CERTIFICADO DE GARANTÍA que aparece al final de estas instrucciones de uso, al Centro de Servicio Autorizado de Hitachi.

## OBSERVACION

Debido al programa continuo de investigación y desarrollo de HITACHI estas especificaciones están sujetas a cambio sin preaviso.

## Información sobre el ruido propagado por el aire y vibración

Los valores medidos se determinaron de acuerdo con EN60745 declararon de conformidad con ISO 4871.

Nivel de potencia auditiva ponderada A: 110 dB (A)

Nivel de presión auditiva ponderada A: 99 dB (A)

Duda KpA: 3 dB (A)

Utilice protecciones auriculares.

Valores totales de la vibración (suma de vectores triax.) determinados de acuerdo con EN60745.

Taladro de percusión en hormigón:

Valor de emisión de la vibración  $a_{h, ID} = 16,0 \text{ m/s}^2$

Incertidumbre K = 1,8 m/s<sup>2</sup>

## ADVERTENCIA

- El valor de emisión de la vibración durante la utilización de la herramienta eléctrica puede ser diferente del valor declarado dependiendo de las formas de utilización de la herramienta.
- Para identificar las medidas seguras para proteger al operario basadas en una estimación de exposición en las condiciones reales de uso (teniendo en cuenta todas las partes del ciclo de funcionamiento como tiempos cuando la herramienta está apagada y cuando funciona lentamente además del tiempo de activación).

## AVISOS GERAIS DE SEGURANÇA PARA A FERRAMENTA ELÉCTRICA

### AVISO

Leia todas as instruções e avisos de segurança. Se não seguir todas as instruções e os avisos, pode provocar um choque eléctrico, incêndio e/ou ferimentos graves.

Guarde todos os avisos e instruções para referência futura. O termo “ferramenta eléctrica” em todos os avisos refere-se à sua ferramenta ligada à corrente (com fios) ou à ferramenta eléctrica a baterias (sem fios).

#### 1) Segurança da área de trabalho

- Mantenha a área de trabalho limpa e bem iluminada.**  
*As áreas escuras ou cheias de material são propícias aos acidentes.*
- Não trabalhe com ferramentas eléctricas em ambientes explosivos, tais como na presença de líquidos inflamáveis, gases ou pó.**  
*As ferramentas eléctricas criam faíscas que podem inflamar o pó dos fumos.*
- Mantenha as crianças e outras pessoas afastadas quando trabalhar com uma ferramenta eléctrica.**  
*As distrações podem fazer com que perca controlo.*

#### 2) Segurança eléctrica

- As fichas da ferramenta eléctrica devem corresponder às tomadas. Nunca modifique a ficha. Não utilize fichas adaptadoras com ferramentas eléctricas ligadas à terra.**  
*As fichas não modificadas e tomadas correspondentes reduzirão o risco de choques eléctricos.*
- Evite contacto corporal com superfícies ligadas à terra, tais como tubos, radiadores, máquinas e frigoríficos.**  
*Existe um risco acrescido de choque eléctrico se o seu corpo estiver ligado à terra.*
- Não exponha ferramentas eléctricas à chuva ou condições de humidade.**  
*A entrada de água numa ferramenta eléctrica aumentará o risco de choques eléctricos.*
- Não abuse do fio. Nunca utilize o fio para transportar, puxar ou desligar a ferramenta eléctrica. Mantenha o fio afastado do calor, óleo, margens afiadas ou peças em movimento.**  
*Os fios danificados ou entrelaçados podem aumentar o risco de choques eléctricos.*
- Quando trabalhar com uma ferramenta eléctrica no exterior, utilize uma extensão adequada para utilização exterior.**  
*A utilização de um fio adequado para utilização no exterior reduz o risco de choques eléctricos.*
- Se não for possível evitar a utilização de uma máquina eléctrica num local húmido, utilize uma fonte de alimentação protegida por um dispositivo de corrente residual (RCD).**  
*A utilização de um RCD reduz o risco de choque eléctrico.*

#### 3) Segurança pessoal

- Mantenha-se alerta, esteja atento ao que está a fazer e utilize senso comum quando trabalhar com uma ferramenta eléctrica. Não utilize uma ferramenta eléctrica quando estiver cansado ou sob a influência de drogas, álcool ou medicamentos.**  
*Um momento de desatenção enquanto trabalha com ferramentas eléctricas pode resultar em ferimentos pessoais graves.*

- Utilize equipamento de protecção pessoal. Utilize sempre protecção para os olhos.**  
*O equipamento de protecção, tal como uma máscara de pó, sapatos de segurança anti-derrapantes, chapéu rígido ou protecção auricular utilizados para condições adequadas reduzirá os ferimentos pessoais.*
  - Evite ligar por acidente. Certifique-se de que o interruptor está na posição de desligado antes de ligar a fonte de alimentação e/ou bateria, levantar ou transportar a ferramenta.**  
*Transportar ferramentas eléctricas com o dedo no interruptor ou activar ferramentas que estão com o interruptor ligado é propício a acidentes.*
  - Remova qualquer chave de parafusos ou chave-inglesa de regulação antes de ligar a ferramenta.**  
*Uma chave-inglesa ou de parafusos ligada à parte rotativa da ferramenta pode provocar ferimentos pessoais.*
  - Não se estique. Mantenha sempre o controlo e equilíbrio adequados.**  
*Isto permite obter um melhor controlo da ferramenta em situações inesperadas.*
  - Use vestuário adequado. Não use roupas largas ou jóias. Mantenha o cabelo, roupas e luvas afastados das peças móveis.**  
*As roupas largas, jóias ou cabelo comprido podem ser apanhados em peças móveis.*
  - Se forem fornecidos dispositivos para a ligação de extractores de pó e dispositivos de recolha, certifique-se de que estes estão ligados e são utilizados adequadamente.**  
*A utilização de uma recolha de pó pode reduzir os perigos relacionados com o pó.*
- #### 4) Utilização da ferramenta e manutenção
- Não force a ferramenta eléctrica. Utilize a ferramenta correcta para a sua aplicação.**  
*A ferramenta correcta fará o trabalho melhor e com mais segurança à velocidade para a qual foi concebida.*
  - Não utilize a ferramenta eléctrica se o interruptor não a ligar ou desligar.**  
*Qualquer ferramenta que não possa ser controlada com o interruptor é perigosa e deve ser reparada.*
  - Desligue a ficha da rede antes e/ou a bateria da ferramenta eléctrica antes de efectuar quaisquer regulações, mudar os acessórios ou guardar ferramentas eléctricas.**  
*Tais medidas de segurança de prevenção reduzem o risco de ligar a ferramenta eléctrica acidentalmente.*
  - Guarde as ferramentas eléctricas fora do alcance de crianças e não permita que pessoas não habituadas à ferramenta eléctrica ou estas instruções trabalhem com a ferramenta.**  
*As ferramentas eléctricas são perigosas nas mãos de utilizadores inexperientes.*
  - Efectue a manutenção de ferramentas eléctricas. Verifique a existência de desalinhamentos ou dobragens das peças móveis, quebras de peças e quaisquer outras condições que possam afectar o funcionamento das ferramentas eléctricas. Se danificada, mande reparar a ferramenta antes de utilizar.**  
*Muitos acidentes são causados por ferramentas com má manutenção.*
  - Mantenha as ferramentas de corte afiadas e limpas.**  
*As ferramentas de corte com uma manutenção adequada e extremidades afiadas são menos propensas a dobrar e mais fáceis de controlar.*

- g) Utilize a ferramenta eléctrica, acessórios e pontas de ferramentas, etc., de acordo com estas instruções, tomando em consideração as condições de trabalho e o trabalho a ser efectuado.

A utilização de uma ferramenta eléctrica para operações diferentes das concebidas pode resultar num mau funcionamento.

#### 5) Manutenção

- a) Faça a manutenção da sua ferramenta eléctrica por um pessoal de reparação qualificado e utilize apenas peças de substituição idênticas.

Isto garantirá que a segurança da ferramenta eléctrica é mantida.

#### AVISO

Mantenha afastadas das crianças e pessoas doentes.

Quando não estiverem a ser utilizadas, as ferramentas devem ser guardadas fora do alcance de crianças e pessoas doentes.

### AVISO DE SEGURANÇA PARA O BERBEQUIM COM PERCUSSÃO

- Use protectores para os ouvidos com as brocas de impacto.**  
A exposição a ruídos pode provocar a perda de audição.
- Use as pegas auxiliares fornecidas com a ferramenta.**  
A perda de controlo pode provocar ferimentos pessoais.
- Antes de furar paredes, tetos ou pisos, certifique-se de que não existam fiações elétricas embutidas nesses locais.
- Utilize sempre a pega lateral e segure bem na ferramenta com ambas as mãos.
- Ao usar o bebequim com percussão, utilize-o sempre com a rotação no sentido horário. (Fig. 10)

### ESPECIFICAÇÕES

Voltagem (por áreas)*	(110V, 220V, 230V, 240V) ~	
Potência de entrada	690 W*	
Mudança de velocidade	1	2
Rotação sem carga	Rotação para a frente	0 – 1000 min <sup>-1</sup>
	Rotação para trás	0 – 600 min <sup>-1</sup>
Capacidade	Aço	13 mm
	Concreto	18 mm
	Madeira	40 mm
Taxa de impacto com carga completa	8400 min <sup>-1</sup>	27300 min <sup>-1</sup>
Peso (sem fio)	2,0 kg	

\*Não deixe de verificar a voltagem na placa identificadora constante do produto, pois ela está sujeita a mudanças conforme a área.

### ACESSÓRIOS-PADRÃO

- (1) Chave de mandril (Espec. Apenas para mandril com chave) ..... 1  
 (2) Empunhadura lateral ..... 1  
 (3) Sonda ..... 1  
 Os acessórios-padrão estão sujeitos a mudanças sem aviso prévio.

### ACESSÓRIOS OPCIONAIS

(vendidos separadamente)

- (1) Broca de impacto (para concreto)  
 3,2 mm – 18 mm de diâmetro  
 Os acessórios opcionais estão sujeitos a mudanças sem aviso prévio.

### APLICAÇÕES

- Pelas ações combinadas de ROTAÇÃO e IMPACTO: fazer furos em materiais duros (concreto, mármore, granito, azulejos, etc.)
- Pela ação de ROTAÇÃO: fazer furos em metal, madeira e plástico

### ANTES DA OPERAÇÃO

- Fonte de energia**  
Certifique-se de que a fonte de energia a ser utilizada está conforme às exigências especificadas na placa identificadora do produto.
- Interruptor**  
Certifique-se de que o interruptor está na posição desligada. Se o plugue estiver conectado a um receptáculo quando o interruptor estiver ligado, a ferramenta elétrica vai começar a operar imediatamente, podendo provocar um grave acidente.
- Cabo de extensão**  
Quando o local de trabalho não possuir uma fonte de energia, utilize um cabo de extensão de espessura e de potência nominal suficientes. A extensão deve ser mantida tão curta quanto possível.
- Seleção da broca apropriada**
  - Ao perfurar concreto ou pedra, use as brocas especificadas na seção sobre acessórios opcionais.
  - Ao perfurar metais ou plásticos, use uma broca comum para trabalhos em metal.
  - Ao perfurar madeira, use uma broca comum para trabalhos em madeira.  
No entanto, ao fazer furos de 6,5 mm ou menores, use uma broca própria para trabalhos em metal.

## 5. Montagem e desmontagem da broca

### Para mandril com chave (Fig. 1)

- (1) Abra o mordente e insira a broca no mandril.
- (2) Coloque a chave do mandril em cada um dos três orifícios no mandril e gire-a no sentido horário (visto de cada lado frontal). Aperte bem.
- (3) Para retirar a broca, coloque a chave do mandril em cada um dos orifícios no mandril e gire-a no anti-horário.

### Para mandril sem chave (Fig. 2)

- (1) Montagem da broca  
Gire o manguito no sentido antihorário e abra o mandril. Depois de inserir a broca no mandril tão fundo quanto possível. Segure o anel de retenção e feche o mandril, girando o manguito no sentido horário, visto de frente.
- (2) Desmontagem da broca  
Prenha o anel de retenção e abra o mandril, girando o manguito no sentido antihorário.

### NOTA

Quando o manguito não se afrouxar mais, prenda a empunhadura lateral para reter o anel de retenção, segure a empunhadura lateral firmemente e, então, gire o manguito para afrouxar à mão. (Fig. 3)

## 6. Verifique a direção de rotação (Fig. 4)

A broca gira no sentido horário (vista a partir do lado de trás) ao se apertar o lado direito (R) da tecla. Aperta-se o lado esquerdo (L) da tecla para fazer com que a broca gire no sentido anti-horário. (As marcas (L) e (R) estão gravadas no corpo da ferramenta.)

### CUIDADO

Ao usar o berbequim com percussão, utilize-o sempre com a rotação no sentido horário.

## 7. Ajuste da empunhadura lateral (Fig. 5)

Prenha a empunhadura lateral na peça de engaste. Gire o cabo da empunhadura lateral no sentido horário para prendê-lo. Ajuste a empunhadura lateral numa posição que se adapte à operação e, então, aperte firmemente o cabo da empunhadura lateral. Para prender a sonda de profundidade na empunhadura lateral, insira-a na ranhura em forma de U na parte lateral do cabo, ajuste a posição da sonda de acordo com a profundidade desejada do furo, e aperte firmemente a garra da empunhadura lateral. (Fig. 6)

## 8. Comutação de IMPACTO para ROTAÇÃO (Fig. 7)

Desloque a alavanca de mudança entre as posições da direita e da esquerda para passar facilmente de IMPACTO (rotação e impacto) para ROTAÇÃO (apenas rotação), respectivamente.

Para fazer furos em materiais duros como concreto, pedra e azulejos, desloque a alavanca de mudança para a posição da direita (indicada pela marca **T**). A cabeça da broca opera pelas ações combinadas de impacto e rotação.

Para fazer furos em metal, madeira e plástico, desloque a alavanca de mudança para a posição da esquerda (indicada pela marca **L**). A cabeça da broca opera apenas pela ação de rotação, tal qual uma furadeira elétrica convencional.

## CUIDADOS

- Não utilize o berbequim com percussão na função de IMPACTO se o material puder ser perfurado apenas por rotação. Uma ação dessas não apenas reduz a eficácia da ferramenta, mas pode também danificar a ponta da broca.
- A operação do berbequim com percussão com a alavanca de mudança na posição intermediária pode causar danos. Ao deslocar a alavanca, certifique-se de o fez deixando-a na posição correta.

## 9. Comutação de alta velocidade/baixa velocidade:

Antes de mudar a velocidade, certifique-se de que o interruptor está na posição desligada (OFF) e que o berbequim parou completamente.

Para mudar a velocidade, gire o botão de engrenagem como indicado pela seta na Fig. 8. O numeral "1" gravado no corpo do berbequim denota baixa velocidade; o numeral "2" denota alta velocidade.

Caso seja difícil rodar o botão de engrenagem, rode o mandril ligeiramente para qualquer das direções e depois novamente o botão da engrenagem.

## MODO DE USAR

### 1. Acionamento do interruptor

- Ao se pressionar o gatilho, a ferramenta entra em rotação. Ao se soltar o gatilho, ela pára.
- A velocidade de rotação do berbequim pode ser controlada variando-se a pressão sobre o interruptor de gatilho. A velocidade é baixa quando o interruptor de gatilho for levemente pressionado e aumenta à medida em que a pressão cresce.
- A velocidade de rotação desejada pode ser pré-selecionada no dial de controle de velocidade. Gire o dial de controle de velocidade no sentido horário para velocidades maiores e no sentido antihorário para velocidades baixas. (Fig. 9)
- Ao puxar o gatilho e empurrar o botão de parada, mantém-se a condição de acionamento conveniente para um trabalho contínuo. Ao desligar, o botão de parada pode ser desconectado pressionando-se outra vez o gatilho.

### CUIDADO

Caso o lado esquerdo do botão-interruptor seja premido para uma rotação inversa de bites, o obturador não pode ser utilizado.

### 2. Para fazer furos

- Ao fazer furos, comece lentamente e aumente gradualmente a velocidade à medida em que trabalha.
- Aplique sempre pressão com a broca em linha reta. Utilize pressão suficiente para continuar a perfurar, mas não aperte demais fazendo o motor parar ou a broca se desviar.
- Para minimizar a paralisação ou ruptura do material, reduza a pressão no berbequim e relaxe a broca na última parte do orifício.
- Se a furadeira parar, solte o gatilho imediatamente, retire a broca da peça em que está trabalhando e recomece o trabalho. Não clique o gatilho para ligar e desligar numa tentativa de dar a partida no berbequim paralizado. Fazer isto pode danificar o berbequim.



- Quanto maior for o diâmetro da broca, maior será a força de reação no seu braço.

Para manter um controle firme, arranje um bom ponto de apoio para os pés, use a empunhadura lateral, segure bem a furadeira com ambas as mãos, e se certifique de que a broca está na posição vertical em relação ao material que está sendo perfurado.

## MANUTENÇÃO E INSPEÇÃO

### 1. Inspeção das brocas

Como o emprego de brocas esmerilhadas pode causar mau funcionamento do motor e diminuir a eficiência, ao notar desgaste nas brocas, substitua-as por novas ou mande-as afiar sem demora.

### 2. Inspeção dos parafusos de montagem

Inspeccione regularmente todos os parafusos de montagem e se certifique de que estão corretamente apertados. Se algum deles estiver frouxo, reaperte-o imediatamente. Caso isso não seja feito, pode resultar em perigo grave.

### 3. Manutenção do motor

A unidade de enrolamento do motor é o verdadeiro “coração” da ferramenta elétrica. Cuide bem para assegurar que o enrolamento não se danifique e/ou se molhe com óleo ou água.

### 4. Inspeção das escovas de carvão

Para sua segurança duradoura e proteção contra choques elétricos, a inspeção das escovas de carvão e a substituição delas nesta ferramenta deve ser feita APENAS numa Oficina Autorizada da Hitachi.

### 5. Substituição do cabo de alimentação

Se o cabo de alimentação estiver danificado, a Ferramenta deve ser levada à Oficina Autorizada da Hitachi para substituição do mesmo.

### 6. Lista de peças para conserto

- A: Item N°
- B: Código N°
- C: N° Usado
- D: Observações

### CUIDADO

Consertos, modificações e inspeção de Ferramentas Elétricas da Hitachi devem ser realizados por uma Oficina Autorizada da Hitachi.

Esta lista de peças pode ser útil se apresentada com a ferramenta na Oficina Autorizada da Hitachi ao solicitar conserto ou manutenção.

Na operação e na manutenção das ferramentas elétricas, devem-se observar as normas de segurança e os padrões prescritos por cada país.

### MODIFICAÇÃO

As Ferramentas Elétricas da Hitachi estão sempre sendo aperfeiçoadas e modificadas para incorporar os mais recentes avanços tecnológicos.

Dessa forma, algumas peças (isto é, números de código e/ou design) podem mudar sem aviso prévio.

## GARANTIA

Garantimos que a Hitachi Power Tools obedece às respectivas normas específicas estatutárias/de país. Esta garantia não cobre avarias ou danos derivados de má utilização, abuso ou desgaste normal. Em caso de queixa, envie a Ferramenta, não desmontada, juntamente com o CERTIFICADO DE GARANTIA que se encontra no fundo destas instruções de utilização, para um Centro de Serviço Autorizado Hitachi.

### NOTA

Devido ao contínuo programa de pesquisa e desenvolvimento da HITACHI, as especificações aqui contidas estão sujeitas a mudanças sem aviso prévio.

### Informação a respeito de ruídos e vibração do ar

Os valores medidos foram determinados de acordo com a EN60745 e declarados em conformidade com a ISO 4871.

Nível de potência sonora ponderada A medida: 110 dB (A)

Nível de pressão sonora ponderada A medida: 99 dB (A)

Imprecisão KpA: 3 dB (A)

Use proteção auditiva.

Os valores totais da vibração (soma do vector triax) são determinados de acordo com a norma EN60745.

Perfuração de impacto em cimento:

Valor de emissão de vibrações **a<sub>h</sub>, I<sub>D</sub>** = 16,0 m/s<sup>2</sup>

Incerteza K = 1,8 m/s<sup>2</sup>

### AVISO

- O valor de emissão de vibrações durante a utilização da ferramenta eléctrica pode ser diferente do valor declarado, consoante as formas de utilização da ferramenta.
- Para identificar as medidas de segurança para proteger o operador, que são baseadas numa estimativa de exposição nas actuais condições de utilização (tendo em conta todas as partes do ciclo de funcionamento, tais como os tempos em que a ferramenta é desligada e quando está a funcionar ao ralenti, além do tempo de accionamento do gatilho).

## ΓΕΝΙΚΕΣ ΠΡΟΕΙΔΟΠΟΙΗΣΕΙΣ ΑΣΦΑΛΕΙΑΣ ΗΛΕΚΤΡΙΚΟΥ ΕΡΓΑΛΕΙΟΥ

### ⚠ ΠΡΟΣΟΧΗ

Διαβάξτε όλες τις προειδοποιήσεις ασφαλείας και όλες τις οδηγίες.

Η μη τήρηση των προειδοποιήσεων και οδηγιών μπορεί να προκαλέσει ηλεκτροπληξία, πυρκαγιά και/ή σοβαρό τραυματισμό.

Φυλάξτε όλες τις προειδοποιήσεις και τις οδηγίες για μελλοντική αναφορά.

Ο όρος "ηλεκτρικό εργαλείο" στις προειδοποιήσεις αναφέρεται στο ηλεκτρικό εργαλείο (με καλώδιο) που λειτουργεί στους αγωγούς ή στο ηλεκτρικό εργαλείο που λειτουργεί στη μπαταρία (χωρίς καλώδιο).

#### 1) Ασφάλεια χώρου εργασίας

a) Διατηρείτε το χώρο εργασίας καθαρό και καλά φωτισμένο.

Σε ακατάστατες ή σκοτεινές περιοχές μπορεί να προκληθούν ατυχήματα.

b) Μην χρησιμοποιείτε τα ηλεκτρικά εργαλεία σε περιβάλλον, στο οποίο μπορεί να προκληθεί έκρηξη, όπως παρουσία εύφλεκτων υγρών, αερίων ή σκόνης. Τα ηλεκτρικά εργαλεία δημιουργούν σπινθήρες, οι οποίοι μπορεί να αναφλέξουν τη σκόνη ή τον καπνό.

c) Κρατήστε τα παιδιά και τους παρευρισκόμενους μακριά όταν χρησιμοποιείτε ένα ηλεκτρικό εργαλείο.

Αν αποσπαστεί η προσοχή σας, υπάρχει κίνδυνος να χάσετε τον έλεγχο.

#### 2) Ηλεκτρική ασφάλεια

a) Τα φως των ηλεκτρικών εργαλείων πρέπει να είναι κατάλληλα για τις πρίζες.

Μην τροποποιήσετε ποτέ το φως με οποιονδήποτε τρόπο. Μην χρησιμοποιείτε φως προσαρμογής με γειωμένα ηλεκτρικά εργαλεία.

Τα μη τροποποιημένα φως και οι κατάλληλες πρίζες μειώνουν τον κίνδυνο ηλεκτροπληξίας.

b) Αποφύγετε τη σωματική επαφή με γειωμένες επιφάνειες όπως σωλήνες, θερμάστρες, μαγειρικές συσκευές και ψυγεία.

Υπάρχει αυξημένος κίνδυνος ηλεκτροπληξίας όταν το σώμα σας είναι γειωμένο.

c) Μην εκθέτετε τα ηλεκτρικά εργαλεία στη βροχή ή σε συνθήκες υγρασίας.

Το νερό που εισέρχεται σε ένα ηλεκτρικό εργαλείο αυξάνει τον κίνδυνο ηλεκτροπληξίας.

d) Μην ασκείτε δύναμη στο καλώδιο. Μην χρησιμοποιείτε ποτέ το καλώδιο για να μεταφέρετε, να τραβήξετε ή να βγάλετε από την πρίζα το ηλεκτρικό εργαλείο.

Κρατήστε το καλώδιο μακριά από θερμότητα, λάδι, κοφτερές γωνίες και κινούμενα μέρη.

Τα κατεστραμμένα ή μωρδεμένα καλώδια αυξάνουν τον κίνδυνο ηλεκτροπληξίας.

e) Όταν χρησιμοποιείτε το εργαλείο σε εξωτερικό χώρο, χρησιμοποιήστε καλώδιο προέκτασης που προορίζεται για χρήση σε εξωτερικό χώρο.

Η χρήση ενός καλώδιου κατάλληλου για εξωτερικό χώρο μειώνει τον κίνδυνο ηλεκτροπληξίας.

f) Αν είναι αναπόφευκτη η λειτουργία ενός ηλεκτρικού εργαλείου σε χώρο με υγρασία, χρησιμοποιείτε διάταξη προστασίας ρεύματος διαρροής (RCD).

Η χρήση της RCD μειώνει τον κίνδυνο ηλεκτροπληξίας.

#### 3) Προσωπική ασφάλεια

a) Να είστε σε ετοιμότητα, να βλέπετε αυτό που κάνετε και να χρησιμοποιείτε την κοινή λογική όταν χρησιμοποιείτε ένα ηλεκτρικό εργαλείο.

Μη χρησιμοποιείτε ηλεκτρικά εργαλεία όταν είστε κουρασμένοι ή υπό την επήρεια ναρκωτικών ουσιών, οινοπνεύματος ή φαρμάκων.

Μια στιγμή απροσεξίας κατά τη χρήση ενός ηλεκτρικού εργαλείου μπορεί να προκαλέσει σοβαρό προσωπικό τραυματισμό.

b) Χρησιμοποιείτε προσωπικό προστατευτικό εξοπλισμό. Φοράτε πάντα προστασία για τα μάτια.

Ο προστατευτικός εξοπλισμός, όπως μάσκα για τη σκόνη, αντιολισθητικά παπούτσια, σκληρό καπέλο ή προστασία για τα αυτιά, που χρησιμοποιείται για ανάλογες συνθήκες μπορεί να μειώσει τους τραυματισμούς.

c) Προλαμβάνετε τυχόν ακούσια εκκίνηση. Βεβαιωθείτε ότι ο διακόπτης είναι σε θέση απενεργοποίησης πριν συνδέσετε τη συσκευή με πηγή ρεύματος και/ή τη θήκη της μπαταρίας, πριν σκιάσετε ή μεταφέρετε το εργαλείο.

Η μεταφορά ηλεκτρικού εργαλείου με τα δάχτυλά σας στο διακόπτη ή η ηλεκτροδότηση ηλεκτρικού εργαλείου με ενεργοποιημένο το διακόπτη μπορεί να προκαλέσουν ατυχήματα.

d) Να αφαιρείτε τυχόν κλειδιά ρυθμιζόμενου ανοίγματος ή τα απλά κλειδιά πριν βέστε σε λειτουργία το ηλεκτρικό εργαλείο.

Ένα από κλειδί ή ένα κλειδί ρυθμιζόμενου ανοίγματος που είναι προσαρτημένο σε περιστρεφόμενο εξάρτημα του ηλεκτρικού εργαλείου μπορεί να προκαλέσει προσωπικό τραυματισμό.

e) Μην τεντώνετε. Να διατηρείτε πάντοτε το κατάλληλο πάτημα και την ισορροπία σας.

Με αυτόν τον τρόπο μπορείτε να ελέγχετε καλύτερα το ηλεκτρικό εργαλείο σε μη αναμενόμενες καταστάσεις.

f) Να είστε ντυμένοι κατάλληλα. Μη φοράτε φαρδιά ρούχα ή κοσμήματα. Να κρατάτε τα μαλλιά σας, τα ρούχα σας και τα γάντια σας μακριά από κινούμενα μέρη.

Τα φαρδιά ρούχα, τα κοσμήματα και τα μακριά μαλλιά μπορεί να πιστούν σε κινούμενα μέρη.

g) Αν παρέχονται εξαρτήματα για τη σύνδεση συσκευών εξαγωγής και συλλογής σκόνης, να βεβαιώνετε ότι είναι συνδεδεμένα και χρησιμοποιούνται με το σωστό τρόπο.

Η χρήση συλλέκτη σκόνης μειώνει τους κινδύνους που προέρχονται από τη σκόνη.

#### 4) Χρήση και φροντίδα ηλεκτρικών εργαλείων

a) Μην ασκείτε δύναμη στο ηλεκτρικό εργαλείο. Να χρησιμοποιείτε το ηλεκτρικό εργαλείο που είναι κατάλληλο για το είδος της εργασίας που εκτελείτε.

Το κατάλληλο ηλεκτρικό εργαλείο θα εκτελέσει την εργασία καλύτερα και με μεγαλύτερη ασφάλεια με τον τρόπο που σχεδιάστηκε.

b) Μη χρησιμοποιήσετε το ηλεκτρικό εργαλείο αν ο διακόπτης λειτουργίας δεν ανοίγει και δεν κλείνει.

Ένα ηλεκτρικό εργαλείο που δεν ελέγχεται από το διακόπτη λειτουργίας είναι επικίνδυνο και πρέπει να επισκευαστεί.

c) Αποσυνδέετε το ύψωμα από την πηγή ισχύος και/ή τη θήκη μπαταρίας από το ηλεκτρικό εργαλείο πριν προβείτε σε ρυθμίσεις, αλλαγή εξαρτήματος ή αποθήκευση του ηλεκτρικού εργαλείου.

Αυτά τα προληπτικά μέτρα ασφαλείας μειώνουν τον κίνδυνο να ξεκινήσει το ηλεκτρικό εργαλείο κατά λάθος.

d) Αποθηκεύετε τα εργαλεία που δεν χρησιμοποιείτε μακριά από παιδιά και μην αφήνετε τα άτομα που δεν είναι εξοικειωμένα με το ηλεκτρικό εργαλείο ή με αυτές τις οδηγίες να χρησιμοποιούν το ηλεκτρικό εργαλείο.

Τα ηλεκτρικά εργαλεία είναι επικίνδυνα στα χέρια μη εκπαιδευμένων ατόμων.

- e) Συντηρείτε τα ηλεκτρικά εργαλεία. Να ελέγχετε την ευθυγράμμιση τους ή το μπλοκάρισμα των κινούμενων μερών, τη θραύση των εξαρτημάτων και οποιαδήποτε άλλη κατάσταση που ενδέχεται να επηρεάσει τη λειτουργία του ηλεκτρικού εργαλείου.

Σε περίπτωση θλάξης, το ηλεκτρικό εργαλείο πρέπει να επισκευαστεί πριν χρησιμοποιηθεί.

Πολλά ατυχήματα προκαλούνται από ηλεκτρικά εργαλεία που δεν έχουν συντηρηθεί σωστά.

- f) Διατηρείτε τα εργαλεία κοπής κοφτερά και καθαρά. Τα κατάλληλα συντηρημένα εργαλεία κοπής με κοφτερές γωνίες μπλοκάρουν πιο δύσκολα και ελέγχονται πιο εύκολα.

- g) Χρησιμοποιείτε το ηλεκτρικό εργαλείο, τα εξαρτήματα και τα μέρη κ.τ.λ. σύμφωνα με τις παρούσες οδηγίες, λαμβάνοντας υπόψη τις συνθήκες εργασίας και την εργασία που θα εκτελέσετε.

Η χρήση του ηλεκτρικού εργαλείου για εργασίες πέρα από εκείνες για τις οποίες προορίζεται, ενδέχεται να δημιουργήσει κινδύνους.

#### 5) Σέρβις

- a) **Να δίνετε το ηλεκτρικό εργαλείο για σέρβις σε κατάλληλα εκπαιδευμένα άτομα και να χρησιμοποιείτε μόνο γνήσια ανταλλακτικά.**

Με αυτόν τον τρόπο είστε σίγουροι για την ασφάλεια του ηλεκτρικού εργαλείου.

#### ΠΡΟΦΥΛΑΞΗ

Μακριά από τα παιδιά και τους αναπήρους.

Όταν δεν χρησιμοποιούνται, τα εργαλεία πρέπει να φυλάζονται μακριά από τα παιδιά και τους αναπήρους.

#### ΠΡΟΕΙΔΟΠΟΙΗΣΕΙΣ ΑΣΦΑΛΕΙΑΣ ΚΡΟΥΣΤΙΚΟΥ ΔΡΑΠΑΝΟΥ

- Φοράτε πάντα ωτοασπίδες κατά τη χρήση του δραπάνου.**  
Έκθεση στον θόρυβο μπορεί να καλέσει απώλεια ακοής.
- Χρησιμοποιήστε τις βοηθητικές λαβές που επισυνάπτονται με τον εργαλείο.**  
Απώλεια ελέγχου μπορεί να καλέσει τραυματισμό.
- Πριν το άνοιγμα τρύπας πάνω σε τοίχους, οροφές ή δάπεδα, βεβαιωθείτε ότι δεν υπάρχουν κρυμμένα μέσα ηλεκτρικά καλώδια.
- Χρησιμοποιείτε πάντα την πλευρική λαβή και κρατάτε το εργαλείο σταθερά και με τα δυο χέρια.
- Πάντοτε να χρησιμοποιείτε το κρουστικό δράπανο με περιστροφή προς τα δεξιά, όταν το χρησιμοποιείτε σαν κρουστικό δράπανο. (Εικ. 10)

#### ΤΕΧΝΙΚΑ ΧΑΡΑΚΤΗΡΙΣΤΙΚΑ

Τάση (ανά περιοχές)*	(110V, 220V, 230V, 240V) ~		
Ισχύς εισόδου	690 W*		
Αλλαγή ταχύτητας	1	2	
Ταχύτητα χωρίς φορτίο	Εμπρόσθια περιστροφή	0 – 1000 min <sup>-1</sup>	0 – 3000 min <sup>-1</sup>
	Αντίστροφη περιστροφή	0 – 600 min <sup>-1</sup>	0 – 1800 min <sup>-1</sup>
Ικανότητα	Ατσάλι	13 mm	8 mm
	Τσιμέντο	18 mm	13 mm
	Ξύλο	40 mm	25 mm
Ταχύτητα κρούσης πλήρους φορτίου	8400 min <sup>-1</sup>	27300 min <sup>-1</sup>	
Βάρος (χωρίς καλώδιο)	2,0 kg		

\* Βεβαιωθείτε να ελέγξετε την πινακίδα στο προϊόν επειδή υπόκεινται σε αλλαγή σε εξάρτηση από την περιοχή.

#### ΚΑΝΟΝΙΚΑ ΕΞΑΡΤΗΜΑΤΑ

- (1) Κλειδί Σφικτήρα (Αποκλειστικά για συντονισμένο σφικτήρα) ..... 1  
 (2) Πλευρική λαβή ..... 1  
 (3) Μετρητής βάθους ..... 1  
 Τα κανονικά εξαρτήματα μπορούν να αλλάξουν χωρίς προειδοποίηση.

#### ΠΡΟΑΙΡΕΤΙΚΑ ΕΞΑΡΤΗΜΑΤΑ

(πωλούνται ξεχωριστά)

- (1) Λεπίδα Κρουστικού Δραπάνου (για τσιμέντο)  
3.2 mm – 18 mm διαμ.

Τα προαιρετικά εξαρτήματα υπόκεινται σε αλλαγή χωρίς προειδοποίηση.

#### ΕΦΑΡΜΟΓΕΣ

- Με τον συνδυασμό των δράσεων ΠΕΡΙΣΤΡΟΦΗ και ΚΡΟΥΣΗ: Άνοιγμα τρύπας σε σκληρά υλικά (τσιμέντο, μάρμαρο, γρανίτη, πλακάκια, κλπ.)
- Με ΠΕΡΙΣΤΡΟΦΙΚΗ δράση:  
Άνοιγμα τρυπών σε μέταλλο, ξύλο και πλαστικό.

#### ΠΡΙΝ ΤΗ ΛΕΙΤΟΥΡΓΙΑ

##### 1. Πηγή ρεύματος

Βεβαιωθείτε ότι η πηγή ρεύματος που πρόκειται να χρησιμοποιηθεί είναι εναρμονισμένη με τις απαιτήσεις σε ρεύμα που αναφέρεται στην πινακίδα του εργαλείου.

##### 2. Διακόπτης ρεύματος

Βεβαιωθείτε ότι ο διακόπτης ρεύματος βρίσκεται στη θέση OFF. Αν το βίσμα είναι στη μπρίζα καθώς ο διακόπτης ρεύματος βρίσκεται στο ON, το εργαλείο θα αρχίσει να λειτουργεί αμέσως, με πιθανότητα πρόκλησης σοβαρού ατυχήματος.

### 3. Καλώδιο προέκτασης

Όταν ο χώρος εργασίας βρίσκεται μακριά από την παροχή ρεύματος, χρησιμοποιήστε ένα καλώδιο προέκτασης με κατάλληλο πάχος και ικανότητα μεταφοράς ρεύματος. Το καλώδιο προέκτασης πρέπει να είναι τόσο κοντό όσο είναι πρακτικά δυνατό.

### 4. Επιλογή της κατάλληλης λεπίδας τρυπανιού

- Όταν τρυπάτε τσιμέντο ή πέτρα
- Χρησιμοποιήστε τις λεπίδες που περιγράφονται στα Προαιρετικά Εξαρτήματα.
- Όταν τρυπάτε ξύλο
- Χρησιμοποιήστε μια λεπίδα τρυπανιού κατάλληλη για ξύλο.
- Όμως, όταν ανοίγετε τρύπες 6.5 mm ή μικρότερες τρύπες, χρησιμοποιήστε μια λεπίδα τρυπανιού που είναι κατάλληλη για μέταλλο.

### 5. Σύνδεση και αποσύνδεση της λεπίδας.

#### Για συντονισμένο σφικτήρα (Εικ. 1)

- Ανοίξετε τις αρπάγες του σφικτήρα, και βάλτε μέσα τη λεπίδα στο σφικτήρα.
- Τοποθετήστε το κλειδί του σφικτήρα μέσα σε κάθε μια από τις τρεις τρύπες του σφικτήρα και περιστρέψτε το προς τα δεξιά (όψη από την μπροστινή πλευρά). Σφίξτε με ασφάλεια.
- Για να αφαιρέσετε τη λεπίδα, τοποθετήστε το κλειδί του σφικτήρα μέσα σε μια από τις τρύπες του σφικτήρα και περιστρέψτε το προς τα αριστερά.

#### Για σφικτήρες χωρίς κλειδί (Εικ. 2)

- Στερέωση της λεπίδας  
Στέψτε το βραχίονα προς τα αριστερά και ανοίξετε το σφικτήρα. Αφότου εισχωρήσετε την λεπίδα του τρυπανιού μέσα στον σφικτήρα όσο μέσα μπορεί να πάει, πιάστε το δακτύλιο συγκράτησης και κλείστε το σφικτήρα περιστρέφοντας τον βραχίονα προς τα δεξιά όπως φαίνεται από εμπρός.
- Αποσυναρμολόγηση της λεπίδας  
Πιάστε τον δακτύλιο συγκράτησης και ανοίξετε τον σφικτήρα περιστρέφοντας τον βραχίονα προς τα αριστερά.

### ΣΗΜΕΙΩΣΗ

Όταν ο σφικτήρας δεν χαλαρώνει περισσότερο, στερεώστε την πλευρική λαβή στον δακτύλιο συγκράτησης, κρατήστε την πλευρική λαβή γερά, μετά περιστρέψτε τον βραχίονα για να ξεσφίξει με το χέρι. (Εικ. 3)

### 6. Ελέγξτε την περιστροφική διεύθυνση (Εικ. 4)

Η λεπίδα περιστρέφεται προς τα δεξιά (όψη από την πίσω πλευρά) πατώντας την R-πλευρά του κουμπιού. Η L-πλευρά του κουμπιού πατιέται για να περιστραφεί η λεπίδα προς τα αριστερά. (Τα σημάδια (L) και (R) παρέχονται πάνω στο σώμα.)

### ΠΡΟΣΟΧΗ

Πάντοτε να χρησιμοποιείτε το κρουστικό δράπανο με περιστροφή προς τα δεξιά, όταν το χρησιμοποιείτε σαν κρουστικό δράπανο.

### 7. Στερέωση της πλευρικής λαβής (Εικ. 5)

Συνδέστε την πλευρική λαβή στο τμήμα στερέωσης. Περιστρέψτε το χερούλι της πλευρικής λαβής προς τα δεξιά για να το ασφαλίσετε. Τοποθετήστε την πλευρική λαβή σε τέτοια θέση έτσι ώστε να είναι κατάλληλη για λειτουργία και μετά σφίξτε γερά το χερούλι της πλευρικής λαβής.

Για συνδέσετε το μετρητή βάθους στην πλευρική λαβή, βάλτε τον μετρητή μέσα στην αυλάκωση της πλευρικής λαβής που έχει σχήμα U, ρυθμίστε την θέση του μετρητή βάθους σύμφωνα με το επιθυμητό βάθος της τρύπας, και γερά σφίξτε το χερούλι της πλευρικής λαβής. (Εικ. 6)

### 8. Αλλαγή από την ΚΡΟΥΣΗ στη ΠΕΡΙΣΤΡΟΦΗ (Εικ. 7)

Μετακινήστε το μοχλό αλλαγής μεταξύ των αριστερών και δεξιών θέσεων για την εύκολη αλλαγή μεταξύ IMPACT (περιστροφή και κρούση) και ROTATION (περιστροφή μόνο), αντίστοιχα.

Για την διάνοιξη τρυπών σε σκληρά υλικά όπως τσιμέντο, πέτρα και πλακάκια, μετακινήστε τον μοχλό αλλαγής στην δεξιά θέση (όπως υποδεικνύεται με το **T** σημάδι). Η λεπίδα τρυπανιού λειτουργεί με το συνδυασμό των δράσεων της κρούσης και της περιστροφής.

Για την διάνοιξη τρυπών σε μέταλλο, ξύλο και πλαστικό, μετακινήστε τον μοχλό στην αριστερή θέση (όπως υποδεικνύεται με το **R** σημάδι). Η λεπίδα τρυπανιού λειτουργεί με την περιστροφική δράση μόνο, όπως στην περίπτωση του συμβατικού ηλεκτρικού τρυπανιού.

### ΠΡΟΣΟΧΗ

- Μην χρησιμοποιήσετε το Κρουστικό Δράπανο στη λειτουργία ΚΡΟΥΣΗ αν το υλικό μπορεί να τρυπηθεί μόνο με την περιστροφή. Τέτοια ενέργεια όχι μόνο θα ελαττώσει την αποδοτικότητα του τρυπανιού, αλλά επίσης θα προκαλέσει ζημιά στην άκρη της λεπίδας.
- Η χρήση του Κρουστικού Δραπάνου με τον μοχλό αλλαγής στην ενδιάμεση θέση μπορεί να προκαλέσει ζημιά. Κατά την αλλαγή, σιγουρευτείτε ότι μετακινείτε τον μοχλό αλλαγής στην σωστή θέση.

### 9. Αλλαγή από Υψηλή ταχύτητα σε Χαμηλή ταχύτητα:

Πριν την αλλαγή της ταχύτητας, εξασφαλίστε ότι ο διακόπτης είναι στην κλειστή θέση OFF, και ότι το τρυπάνι είναι εντελώς σταματημένο.

Για να αλλάξετε ταχύτητα, περιστρέψτε το καντράν αλλαγής ταχύτητας όπως υποδεικνύεται από το βέλος στην **Εικ. 8**. Ο αριθμός "1" που είναι σκαλισμένος στο κορμό του τρυπανιού δείχνει την χαμηλή ταχύτητα, ο αριθμός "2" δείχνει την υψηλή ταχύτητα.

Σε περίπτωση που είναι δύσκολο να γυρίσετε το καντράν αλλαγής ταχύτητας, γυρίστε το σφικτήρα ελαφρά προς οποιαδήποτε κατεύθυνση και κατόπιν ξανά το καντράν αλλαγής ταχύτητα.

## ΠΩΣ ΝΑ ΤΟ ΧΡΗΣΙΜΟΠΟΙΗΣΕΤΕ

### 1. Λειτουργία διακόπτη

- Όταν η σκανδάλη είναι χαμηλωμένη, το εργαλείο περιστρέφεται.
- Όταν η σκανδάλη ελευθερωθεί το εργαλείο σταματά.
- Η ταχύτητα περιστροφής του δρανάμου μπορεί να ελεγχθεί από το κατά πόσο τραβιέται η σκανδάλη διακόπτης. Η ταχύτητα είναι χαμηλή όταν η σκανδάλη διακόπτης τραβηχθεί ελαφρά και αυξάνει καθώς η σκανδάλη διακόπτης τραβιέται περισσότερο.
- Η επιθυμητή ταχύτητα περιστροφής μπορεί να επιλεγεί εκ των προτέρων με το καντράν ελέγχου ταχύτητας. Γυρίστε το καντράν ελέγχου ταχύτητας εξιόστροφα για την υψηλότερη ταχύτητα και αριστερόστροφα για τη χαμηλότερη ταχύτητα. (Εικ. 9)

- Το τράβηγμα της σκανδάλης και το σπρώξιμο του στόπερ, διατηρεί την κατάσταση λειτουργίας, η οποία είναι βολική για συνεχή λειτουργία. Κατά το σβήσιμο, το στόπερ μπορεί να αποσυνδεθεί τραβώντας τη σκανδάλη ξανά.

#### ΠΡΟΣΟΧΗ

Σε περίπτωση που η αριστερή πλευρά του κουμπιού ώθησης είναι πατημένη για αντίστροφη περιστροφή τεμαχιδίων, δεν μπορεί να χρησιμοποιηθεί ο κόφτης.

#### 2. Τρύπημα

- Κατά το τρύπημα, αρχίστε να τρυπάτε αργά, και προοδευτικά αυξήστε την ταχύτητα καθώς τρυπάτε.
- Πάντοτε να εφαρμόζετε πίεση σε ευθεία γραμμή με την λεπίδα. Χρησιμοποιήστε αρκετή δύναμη για να συνεχίσετε να τρυπάτε, αλλά όμως μην σπρώξετε πάρα πολύ τόσο ώστε να μπλοκάρει το μοτέρ ή να αποκλίνει η λεπίδα.
- Για να ελαχιστοποιήσετε το μπλοκάρισμα ή να διαπεράσετε το υλικό, ελαττώστε την πίεση στο δρέπανο και στη λεπίδα κατά το τελευταίο τμήμα της τρύπας.
- Αν το δρέπανο μπλοκάρει, ελευθερώστε τη σκανδάλη αμέσως, αφαιρέστε τη λεπίδα από το αντικείμενο εργασίας και ξεκινήστε ξανά. Μην ενεργοποιείτε και απενεργοποιείτε τη σκανδάλη σε μια προσπάθεια να ξεκινήσετε ένα μπλοκαρισμένο δρέπανο.
- Όσο μεγαλύτερη είναι η διάμετρος της λεπίδας του δρεπάνου, τόσο μεγαλύτερη είναι και η δύναμη αντίδρασης πάνω στο χάρη σας. Προσέξτε να μην χάσετε τον έλεγχο του δρεπάνου εξαιτίας αυτής της δύναμης αντίδρασης. Για να κρατήσετε τον απόλυτο έλεγχο, διατηρείτε ένα καλό πάτημα, χρησιμοποιήστε την πλευρική λαβή, κρατήστε το δρέπανο σφικτά με τα δυο χέρια και βεβαιωθείτε ότι το δρέπανο είναι κάθετο ως προς το υλικό το οποίο πρόκειται να τρυπηθεί.

### ΣΥΝΤΗΡΗΣΗ ΚΑΙ ΕΛΕΓΧΟΣ

#### 1. Έλεγχος των λεπίδων του δρεπάνου

Επειδή η χρήση των φθαρμένων λεπίδων θα προκαλέσει την δυσλειτουργία του μοτέρ και την μειωμένη αποδοτικότητα, αντικαταστήστε τις λεπίδες του δρεπάνου με καινούργιες ή ακονίστε τις χωρίς καθυστέρηση όταν παρατηρηθεί η φθορά.

#### 2. Έλεγχος των διδών στερέωσης

Ελέγχετε περιοδικά όλες τις βίδες στερέωσης και βεβαιωθείτε ότι είναι κατάλληλα σφιγμένες. Στην περίπτωση που χαλαρώσει οποιαδήποτε βίδα σφίξτε την ξανά αμέσως. Αν δεν το κάνετε αυτό μπορεί να έχει ως αποτέλεσμα το σοβαρό τραυματισμό.

#### 3. Συντήρηση του μοτέρ

Η περιέλιξη της μονάδα του μοτέρ είναι η καρδιά του ηλεκτρικού εργαλείου. Δώστε μεγάλη προσοχή για να σιγουρευτείτε ότι η περιέλιξη δεν θα πάθει ζημιά και / ή θα βρεχθεί με λάδι ή νερό.

#### 4. Έλεγχος στα καρβουνάκια

Για την συνεχιζόμενη ασφάλεια σας και την προστασία σας από την ηλεκτροπληξία, ο έλεγχος στα καρβουνάκια και η αντικατάσταση αυτού του εργαλείου πρέπει ΜΟΝΟ να γίνεται από ένα Εξουσιοδοτημένο Κέντρο Σέρβις της Hitachi.

#### 5. Αντικατάσταση του καλωδίου παροχής ρεύματος.

Αν το καλώδιο παροχής ρεύματος του Εργαλείου πάθει ζημιά, το Εργαλείο πρέπει να επιστραφεί στο Εξουσιοδοτημένο Κέντρο Σέρβις της Hitachi για να αντικατασταθεί.

#### 6. Λίστα συντήρησης των μερών

- A: Αρ. Αντικειμένου
- B: Αρ. Κωδικού
- C: Αρ. που χρησιμοποιήθηκε
- D: Παρατηρήσεις

#### ΠΡΟΣΟΧΗ

Η επισκευή η τροποποίηση και ο έλεγχος των Ηλεκτρικών Εργαλείων Hitachi πρέπει να γίνεται από ένα Εξουσιοδοτημένο κέντρο σέρβις της Hitachi.

Αυτή η Λίστα των Μερών θα είναι χρήσιμη αν παρουσιαστεί μαζί με το εργαλείο στο Εξουσιοδοτημένο Κέντρο Σέρβις της Hitachi όταν ζητάτε επισκευή ή κάποια άλλη συντήρηση.

Κατά τον έλεγχο ή την συντήρηση των ηλεκτρικών εργαλείων, οι κανόνες ασφαλείας και οι κανονισμοί που υπάρχουν σε κάθε χώρα πρέπει να ακολουθούνται.

#### ΤΡΟΠΟΠΟΙΗΣΗ

Τα Ηλεκτρικά Εργαλεία Hitachi βελτιώνονται συνεχώς και τροποποιούνται για να συμπεριλάβουν τις τελευταίες τεχνολογικές προόδους.

Κατά συνέπεια, ορισμένα τμήματα (δηλ. κωδικό αριθμοί και / ή σχεδιασμός) μπορούν να αλλάξουν χωρίς προηγούμενη ειδοποίηση.

#### ΕΓΓΥΗΣΗ

Εγγυώμαστε τα εργαλεία Hitachi Power Tools σύμφωνα με τη νομοθεσία και τους κανονισμούς ανά χώρα. Η παρούσα εγγύηση δεν καλύπτει ελαττώματα ή ζημιές λόγω κακής χρήσης, κακοποίησης ή φυσιολογικής φθοράς. Σε περίπτωση παραπόνων παρακαλούμε αποστείλετε το Power Tool χωρίς να το αποσυναρμολογήσετε μαζί με το ΠΙΣΤΟΠΟΙΗΤΙΚΟ ΕΓΓΥΗΣΗΣ το οποίο βρίσκεται στο τέλος των οδηγιών αυτών, σε Εξουσιοδοτημένο Κέντρο Επισκευής της Hitachi.

#### ΣΗΜΕΙΩΣΗ

Εξαιτίας του συνεχιζόμενου προγράμματος έρευνας και ανάπτυξης της Hitachi τα τεχνικά χαρακτηριστικά που εδώ αναφέρονται μπορούν να αλλάξουν χωρίς προηγούμενη ειδοποίηση.

---

---

### Πληροφορίες που αφορούν τον εκπεμπόμενο θόρυβο και τη δόνηση

Οι τιμές μετρήθηκαν σύμφωνα με το EN60745 και βρέθηκαν σύμφωνες με το ISO 4871.

Μετρηθείσα τυπική στάθμη ηχητικής ισχύος A: 110 dB (A)  
Μετρηθείσα τυπική στάθμη ηχητικής πίεσης A: 99 dB (A)  
Αβεβαιότητα KpA: 3 dB (A)

Φοράτε προστατευτικά αυτιών.

Συνολικές τιμές δόνησης (διανυσματικό άθροισμα τριαξονικού καλωδίου) που καθορίζονται σύμφωνα με το πρότυπο EN60745.

Τρύπημα με κρούση σε σκυρόδεμα:

Τιμή εκπομπής δόνησης **a<sub>h</sub>**, **ID** = 16,0 m/s<sup>2</sup>

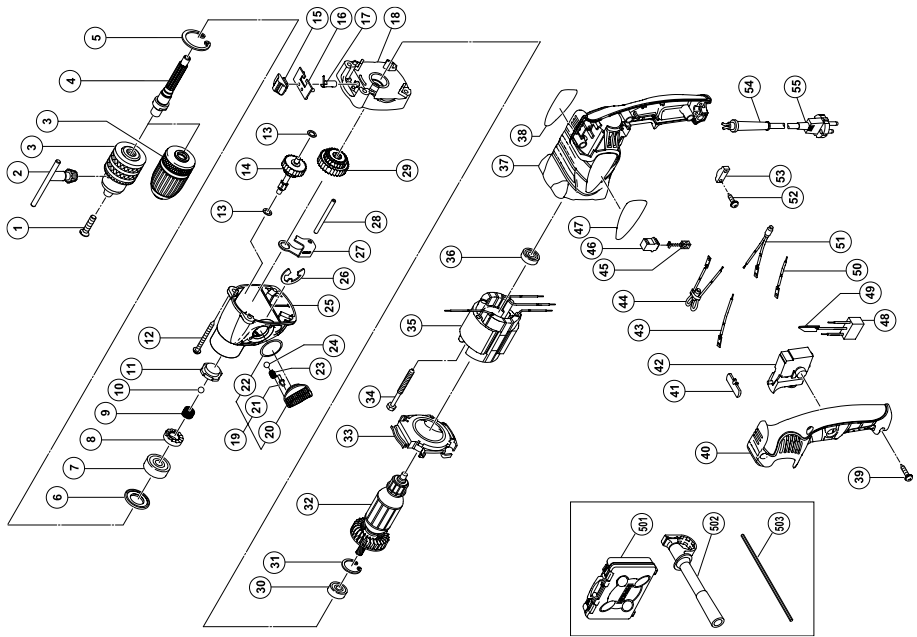
Αβεβαιότητα K = 1,8 m/s<sup>2</sup>

---

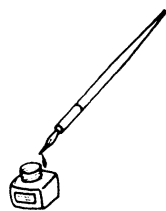
---

### ΠΡΟΣΟΧΗ

- Η τιμή εκπομπής δόνησης κατά την ουσιαστική χρήση του ηλεκτρικού εργαλείου μπορεί να διαφέρει από τη δηλωμένη τιμή, ανάλογα με το που και πως χρησιμοποιείται το εργαλείο.
- Για να αναγνωρίσετε τα μέτρα ασφαλείας για την προστασία του χειριστή που βασίζονται σε μία εκτίμηση της έκθεσης στις πραγματικές συνθήκες χρήσης (λαμβάνοντας υπόψη όλα τα μέρη του κύκλου λειτουργίας όπως τα διαστήματα που το εργαλείο είναι απενεργοποιημένο και όταν λειτουργεί στο ρελαντί μαζί με το χρόνο διεγερσης).



A	B	C	D	A	B	C	D
1	995-344	1	M6x25	40	322-862	1	
2	987-576	1		41	322-853	1	
3	321-814	1	13VLRB-D	42	322-854	1	
4	322-357	1	13VLRH-N	43	321-630	1	100L
5	322-857	1		44	322-517	1	220V-240V
6	939-556	1		44 2	322-518	1	"GBR (110V)"
7	322-851	1		45	999-041	2	
8	620-2DD	1	6202DDCMPS2L	46	955-203	2	
9	322-850	1		47	---	1	
10	984-101	1		48	994-273	1	
11	959-150	1	D6.35	49	992-635	1	
12	322-845	1		50	321-631	1	55L
13	316-321	4	D5x45	51 1	321-634	1	110V-240V
14	322-852	2		51 2	322-519	1	"GBR (110V)"
15	322-841	1		52	984-750	2	D4x16
16	322-842	1		53	937-631	1	
17	322-840	1		54	953-327	1	D8.8
18	322-859	1		55	---	1	
19	322-847	1	"20-22"	501	---	1	
20	---	1		502	---	1	
21	322-848	1		503	303-709	1	
22	306-353	1	S-22				
23	981-328	1					
24	319-535	1	D3.5				
25	322-844	1	"11"				
26	---	1					
27	322-849	1					
28	322-860	1	D5				
29	322-846	1					
30	608-DDM	1	608DDC2PS2L				
31	939-553	1					
32	360-654C	1	110V				
32 2	360-654E	1	220V-230V				
32 3	360-654F	1	240V				
33	322-843	1					
34	981-824	2	D4x45				
35	340-589C	1	110V				
35 2	340-589E	1	220V-230V				
35 3	340-589F	1	240V				
36	608-VVM	1	608VVC2PS2L				
37	322-861	1					
38	---	1					
39	301-653	3	D4x20				





<p>English</p> <p align="center"><b><u>GUARANTEE CERTIFICATE</u></b></p> <ol style="list-style-type: none"> <li>① Model No.</li> <li>② Serial No.</li> <li>③ Date of Purchase</li> <li>④ Customer Name and Address</li> <li>⑤ Dealer Name and Address (Please stamp dealer name and address)</li> </ol>	<p>Nederlands</p> <p align="center"><b><u>GARANTIEBEWIJS</u></b></p> <ol style="list-style-type: none"> <li>① Modelnummer</li> <li>② Serienummer</li> <li>③ Datum van aankoop</li> <li>④ Naam en adres van de gebruiker</li> <li>⑤ Naam en adres van de handelaar (Stempel a.u.b. naam en adres vande de handelaar)</li> </ol>
<p>Deutsch</p> <p align="center"><b><u>GARANTIESCHEIN</u></b></p> <ol style="list-style-type: none"> <li>① Modell-Nr.</li> <li>② Serien-Nr.</li> <li>③ Kaufdatum</li> <li>④ Name und Anschrift des Kunden</li> <li>⑤ Name und Anschrift des Händlers (Bitte mit Namen und Anschrift des Handlers abstempeln)</li> </ol>	<p>Español</p> <p align="center"><b><u>CERTIFICADO DE GARANTIA</u></b></p> <ol style="list-style-type: none"> <li>① Número de modelo</li> <li>② Número de serie</li> <li>③ Fecha de adquisición</li> <li>④ Nombre y dirección del cliente</li> <li>⑤ Nombre y dirección del distribuidor (Se ruega poner el sellú del distribuidor con su nombre y dirección)</li> </ol>
<p>Français</p> <p align="center"><b><u>CERTIFICAT DE GARANTIE</u></b></p> <ol style="list-style-type: none"> <li>① No. de modèle</li> <li>② No de série</li> <li>③ Date d'achat</li> <li>④ Nom et adresse du client</li> <li>⑤ Nom et adresse du revendeur (Cachet portant le nom et l'adresse du revendeur)</li> </ol>	<p>Português</p> <p align="center"><b><u>CERTIFICADO DE GARANTIA</u></b></p> <ol style="list-style-type: none"> <li>① Número do modelo</li> <li>② Número do série</li> <li>③ Data de compra</li> <li>④ Nome e morada do cliente</li> <li>⑤ Nome e morada do distribuidor (Por favor, carimbe o nome e morada do distribuidor)</li> </ol>
<p>Italiano</p> <p align="center"><b><u>CERTIFICATO DI GARANZIA</u></b></p> <ol style="list-style-type: none"> <li>① Modello</li> <li>② N° di serie</li> <li>③ Data di acquisto</li> <li>④ Nome e indirizzo dell'acquirente</li> <li>⑤ Nome e indirizzo del rivenditore (Si prega di apporre il timbro con questi dati)</li> </ol>	<p>Ελληνικά</p> <p align="center"><b><u>ΠΙΣΤΟΠΟΙΗΤΙΚΟ ΕΓΓΥΗΣΗΣ</u></b></p> <ol style="list-style-type: none"> <li>① Αρ. Μοντέλου</li> <li>② Αύξων Αρ.</li> <li>③ Ημερομηνία αγοράς</li> <li>④ Ονομα και διεύθυνση πελάτη</li> <li>⑤ Ονομα και διεύθυνση μεταπωλητή (Παρακαλούμε να χρησιμοποιηθεί σφραγίδα)</li> </ol>



# HITACHI

①	
②	
③	
④	
⑤	



## **Hitachi Power Tools Europe GmbH**

Siemensring 34, 47877 Willich 1, F. R. Germany  
Tel: +49 2154 49930  
Fax: +49 2154 499350  
URL: <http://www.hitachi-powertools.de>

## **Hitachi Power Tools Netherlands B. V.**

Brabanthaven 11, 3433 PJ Nieuwegein, The Netherlands  
Tel: +31 30 6084040  
Fax: +31 30 6067266  
URL: <http://www.hitachi-powertools.nl>

## **Hitachi Power Tools (U. K.) Ltd.**

Precedent Drive, Rooksley, Milton Keynes, MK 13, 8PJ, United Kingdom  
Tel: +44 1908 660663  
Fax: +44 1908 606642  
URL: <http://www.hitachi-powertools.co.uk>

## **Hitachi Power Tools France S. A. S.**

Prac del' Eglantier 22, rue des Crerisiers Lisses, C. E. 1541,  
91015 EVRY CEDEX, France  
Tel: +33 1 69474949  
Fax: +33 1 60861416  
URL: <http://www.hitachi-powertools.fr>

## **Hitachi Power Tools Belgium N.V. / S.A.**

Koningin Astridlaan 51, 1780 Wemmel, Belgium  
Tel: +32 2 460 1720  
Fax: +32 2 460 2542  
URL: <http://www.hitachi-powertools.be>

## **Hitachi Fercad Power Tools Italia S.p.A**

Via Retrone 49-36077, Altavilla Vicentina (VI), Italy  
Tel: +39 0444 548111  
Fax: +39 0444 548110  
URL: <http://www.hitachi-powertools.it>

## **Hitachi Power Tools Iberica, S.A.**

C / Migjorn, s/n, Poligono Norte, 08226 Terrassa, Barcelona, Spain  
Tel: +34 93 735 6722  
Fax: +34 93 735 7442  
URL: <http://www.hitachi-powertools.es>

## **Hitachi Power Tools Österreich GmbH**

Str. 7, Objekt 58/A6, Industriezentrum NÖ –Süd 2355  
Wiener Neudorf, Austria  
Tel: +43 2236 64673/5  
Fax: +43 2236 63373

<p>English</p> <p><b>EC DECLARATION OF CONFORMITY</b></p> <p>We declare under our sole responsibility that this product is in conformity with standards or standardized documents EN60745, EN55014 and EN61000 in accordance with Council Directives 2004/108/EC and 98/37/EC. This product also complies with the essential requirements of 2006/42/EC to be applied from 29 December 2009.</p> <p>This declaration is applicable to the product affixed CE marking.</p>	<p>Nederlands</p> <p><b>EC VERKLARING VAN CONFORMITEIT</b></p> <p>Wij verklaren onder eigen verantwoordelijkheid dat dit produkt conform de richtlijnen of gestandaardiseerde documenten EN60745, EN55014 en EN61000 voldoet aan de eisen van EEG Bepalingen 2004/108/EC en 98/37/EC. Dit product voldoet ook aan de essentiële vereisten van 2006/42/EC die gelden vanaf 29 December 2009.</p> <p>Deze verklaring is van toepassing op produkten voorzien van de CE-markeringen.</p>
<p>Deutsch</p> <p><b>ERKLÄRUNG ZUR KONFORMITÄT MIT CE-REGELN</b></p> <p>Wir erklären mit alleiniger Verantwortung, daß dieses Produkt den Standards oder standardisierten Dokumenten EN60745, EN55014 und EN61000 in Übereinstimmung mit den Direktiven des Europarats 2004/108/CE und 98/37/CE entspricht. Dieses Produkt hält auch die wesentlichen Anforderungen von 2006/42/CE ein, die ab 29. Dezember 2009 gelten werden.</p> <p>Diese Erklärung gilt für Produkte, die die CE-Markierung tragen.</p>	<p>Español</p> <p><b>DECLARACIÓN DE CONFORMIDAD DE LA CE</b></p> <p>Declaramos bajo nuestra única responsabilidad que este producto está de acuerdo con las normas o con los documentos de normalización EN60745, EN55014 y EN61000, según indican las Directrices del Consejo 2004/108/CE y 98/37/CE. Este producto también cumple los requisitos esenciales de 2006/42/CE aplicables a partir del 29 de Diciembre de 2009.</p> <p>Esta declaración se aplica a los productos con marcas de la CE.</p>
<p>Français</p> <p><b>DECLARATION DE CONFORMITE CE</b></p> <p>Nous déclarons sous notre seule et entière responsabilité que ce produit est conforme aux normes ou documents normalisés EN60745, EN55014 et EN61000 en accord avec les Directives 2004/108/CE et 98/37/CE du Conseil. Ce produit est également conforme aux exigences essentielles de 2006/42/CE applicables à compter du 29 Décembre 2009.</p> <p>Cette déclaration s'applique aux produits désignés CE.</p>	<p>Português</p> <p><b>DECLARAÇÃO DE CONFORMIDADE CE</b></p> <p>Declaramos, sob nossa única e inteira responsabilidade, que este produto está de acordo com as normas ou documentos normativos EN60745, EN55014 e EN61000, em conformidade com as Diretrizes 2004/108/CE e 98/37/CE do Conselho. Este produto também está em conformidade com os requisitos essenciais da 2006/42/CE, a serem aplicados a partir de 29 de Dezembro de 2009.</p> <p>Esta declaração se aplica aos produtos designados CE.</p>
<p>Italiano</p> <p><b>DICHIARAZIONE DI CONFORMITÀ CE</b></p> <p>Si dichiara sotto nostra responsabilità che questo prodotto è conforme agli standard o ai documenti standardizzati EN60745, EN55014 e EN61000 conforme alle direttive 2004/108/CE e 98/37/CE del concilio. Questo prodotto è conforme anche ai requisiti 2006/42/CE vigenti a partire dal 29 Dicembre 2009.</p> <p>Questa dichiarazione è applicabile ai prodotti cui sono applicati i marchi CE.</p>	<p>Ελληνικά</p> <p><b>ΕΚ ΔΗΛΩΣΗ ΕΝΑΡΜΟΝΙΣΜΟΥ</b></p> <p>Δηλώνουμε με απόλυτη υπευθυνότητα ότι αυτό το προϊόν είναι εναρμονισμένο με τα πρότυπα ή τα έγγραφα προτύπων EN60745, EN55014 και EN61000 σε συμφωνία με τις Οδηγίες του Συμβουλίου 2004/108/EK και 98/37/EK. Αυτό το προϊόν είναι επίσης σύμφωνο με τις βασικές απαιτήσεις του 2006/42/EK που εφαρμόζονται από τις 29 Δεκεμβρίου 2009.</p> <p>Αυτή η δήλωση ισχύει στο προϊόν με το σημάδι CE.</p>
<p>Representative office in Europe  <b>Hitachi Power Tools Europe GmbH</b>  Siemensring 34, 47877 Willich 1, F. R. Germany</p> <p>Head office in Japan  <b>Hitachi Koki Co., Ltd.</b>  Shinagawa Intercity Tower A, 15-1, Konan 2-chome,  Minato-ku, Tokyo, Japan</p> <p style="text-align: right;"><b>CE</b></p> <p style="text-align: right;">30. 4. 2009</p> <p style="text-align: right;"><i>K. Kato</i></p> <p style="text-align: right;">K. Kato Board Director</p>	

 **Hitachi Koki Co., Ltd.**

904

Code No. C99131672 F  
Printed in China