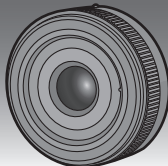


Panasonic®

Operating Instructions INTERCHANGEABLE LENS FOR DIGITAL CAMERA

Model No. **H-H020A**

LUMIX



Please read these instructions carefully before using this product, and save this manual for future use.



E

VQT5B49
F0713MC0

Contents

Information for Your Safety	2
Precautions	4
Supplied Accessories	5
Names and Functions of Components	6
Attaching/Detaching the Lens	6
Cautions for Use	8
Troubleshooting	9
Specifications	10

Information for Your Safety

Keep the unit as far away as possible from electromagnetic equipment (such as microwave ovens, TVs, video games, radio transmitters, high-voltage lines etc.).

- Do not use the camera near cell phones because doing so may result in noise adversely affecting the pictures and sound.
- If the camera is adversely affected by electromagnetic equipment and stops functioning properly, turn the camera off and remove the battery and/or the connected AC adaptor. Then reinsert the battery and/or reconnect the AC adaptor and turn the camera on.

The lens can be used with a digital camera compatible with the lens mount standard for the “Micro Four Thirds™ System”.

- It cannot be mounted on the Four Thirds™ mount specification camera.
- The digital camera illustrations in these operating instructions show DMC-GF6 as an example.
- The appearance and specifications of products described in this manual may differ from the actual products you have purchased due to later enhancements.
- Micro Four Thirds™ and Micro Four Thirds Logo marks are trademarks or registered trademarks of Olympus Imaging Corporation, in Japan, the United States, the European Union and other countries.
- Four Thirds™ and Four Thirds Logo marks are trademarks or registered trademarks of Olympus Imaging Corporation, in Japan, the United States, the European Union and other countries.
- G MICRO SYSTEM is an interchangeable lens type digital camera system of LUMIX based on a Micro Four Thirds System standard.
- Other names of systems and products mentioned in these instructions are usually the registered trademarks or trademarks of the manufacturers who developed the system or product concerned.

-If you see this symbol-

Disposal of Old Equipment
Only for European Union and countries with recycling systems



This symbol on the products, packaging, and/or accompanying documents means that used electrical and electronic products must not be mixed with general household waste.

For proper treatment, recovery and recycling of old products, please take them to applicable collection points in accordance with your national legislation.

By disposing of them correctly, you will help to save valuable resources and prevent any potential negative effects on human health and the environment.

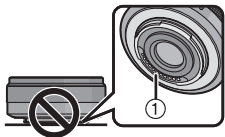
For more information about collection and recycling, please contact your local municipality.

Penalties may be applicable for incorrect disposal of this waste, in accordance with national legislation.

Precautions

■ Lens Care

- **Sand and dust can damage the lens. Make sure that no sand or dust gets inside the lens or the terminals when using the lens on a beach, etc.**
- **This lens is not waterproof. If drops of water get onto the lens, wipe the lens with a dry cloth.**
- Do not press the lens with excessive force.
- When there is dirt (water, oil, and fingerprints, etc.) on the surface of the lens, the picture may be affected. Lightly wipe the surface of the lens with a soft, dry cloth before and after taking pictures.
- Do not place the lens mount facing downwards. Do not allow the lens contact points ① to become dirty.



■ About Condensation (Fogging of the Lens)

- Condensation occurs when there are differences in temperature and humidity as described below. Condensation can cause the lens to become dirty and lead to mold and malfunctioning, so exercise caution in the following situations:
 - When the camera is brought indoors from outside during cold weather
 - When the camera is brought into an air-conditioned car
 - When cold air from an air conditioner is directly blown onto the lens
 - In humid places
- Put the camera into a plastic bag to allow it to acclimatize to the surrounding temperature in order to prevent condensation. If condensation occurs, turn the power off and leave it for about two hours. Once the camera acclimatizes to the surrounding temperature the condensation will go away naturally.

Supplied Accessories

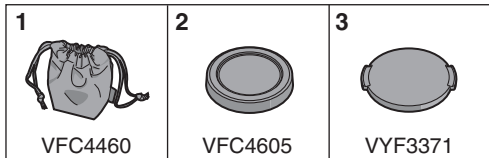
[Inspection to be performed when you unpack the unit]

When removing the unit from its packing box, check that the main unit and the supplied accessories are there and also check their external appearance and functions to verify that they have not sustained any damage during distribution and transportation.

If you discover any trouble, contact your vendor before using the product.

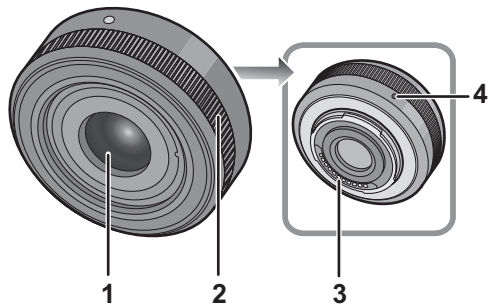
Product numbers correct as of June 2013.

These may be subject to change.



- 1 Lens Storage Bag
- 2 Lens Rear Cap
(The lens rear cap and lens cap are attached to the interchangeable lens at the time of purchase.)
- 3 Lens Cap

Names and Functions of Components



1 Lens surface

2 Focus ring

Rotate to focus when taking pictures with manual focus.

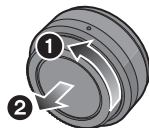
3 Contact point

4 Lens fitting mark

This lens uses a lens drive system to enable a compact and bright F1.7. As a result of this, there are operating sounds and vibrations when focusing, but this is not a malfunction. Operating sounds are recorded when auto-focusing during motion picture recording. If operating sounds become bothersome, we recommend setting to manual focus ([MF]) and fixing focus before recording to avoid recording the lens noise.

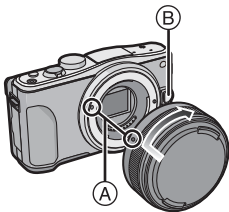
Attaching/Detaching the Lens

- Refer also to the camera's operating instructions for attaching and detaching the lens.
- Check that the camera is turned off.
- Remove the lens rear cap from the lens.



■ Attaching the Lens

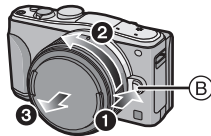
Align the lens fitting marks (A) on the camera body and the lens and then rotate the lens in the direction of the arrow until it clicks.



- Do not press the lens release button (B) when you attach a lens.
 - Do not try to attach the lens when holding it at an angle to the camera body as the lens mount may get scratched.
 - Check that the lens is attached correctly.
 - Be sure to remove the lens cap when recording.
-

■ Detaching the Lens

While pressing on the lens release button (B), rotate the lens toward the arrow until it stops and then remove.



- Attach the lens rear cap so that the lens contact point does not get scratched.
 - Attach the body cap to the camera so no dirt or dust will get inside the main unit.
-

■ Attaching Filters

- Vignetting may occur if using 2 or more MC protectors (optional:DMW-LMC46), PL filters (optional:DMW-LPL46) or ND filters (optional:DMW-LND46), or if using thick protectors and/or filters.
- The filter may become impossible to remove if excessively tightened, so please refrain from tightening it too strongly.
- It is possible to attach the lens cap with the filter already attached.
- If you have problems with the attachment or removal of the PL filter (optional:DMW-LPL46), we recommend turning on the digital camera and trying again with the focus mode set to “manual” ([MF]).
- You cannot attach a conversion lens or adaptor to this lens. A filter may be used, but attaching any other element may cause damage to the lens.

Cautions for Use

Take care not to drop or knock the lens. Also take care not to put a lot of pressure on the lens.

- Take care not to drop the bag that you inserted the lens in as it may strongly shock the lens. The camera may stop operating normally and pictures may no longer be recorded. Also, the lens may be damaged.

When using pesticides and other volatile substances around the camera make sure that they do not get onto the lens.

- If such substances get onto the lens they can damage the exterior case or cause the paint to peel.

Do not carry the unit when it is still attached to the camera body.

- Under no circumstances should the unit be stored in any of the following locations since doing so may cause problems in operation or malfunctioning.
 - In direct sunlight or on a beach in summer
 - In locations with high temperatures and humidity levels or where the changes in temperature and humidity are acute
 - In locations with high concentrations of sand, dust or dirt
 - Where there is fire
 - Near heaters, air conditioners or humidifiers

- Where water may make the unit wet
 - Where there is vibration
 - Inside a vehicle
 - Refer also to the operating instructions of the digital camera.
 - When the unit is not going to be used for a prolonged period, we recommend storing with a desiccant (silica gel). Failure to do so may result in performance failure caused by mold, etc. It is recommended that you check the unit's operation prior to use.
 - Do not leave the lens in contact with rubber or plastic products for extended periods of time.
 - Do not touch the lens contact point. Doing so can cause failure of the unit.
 - Do not disassemble or alter the unit.
- Do not use benzine, thinner, alcohol or other similar cleaning agents to clean the lens glass or exterior cabinet.**
- Using solvents can damage the lens or cause the paint to peel.
 - Wipe off any dust or fingerprints with a soft, dry cloth.
 - Use a dry, dust cloth to remove dirt and dust on the focus ring.
 - Do not use a household detergent or a chemically treated cloth.

Troubleshooting

A sound is heard when the camera is turned on or off.

A sound is heard from the lens when taking a picture of a bright subject such as when outdoors.

- This is the sound of lens or aperture movement and is not a malfunction.

Specifications

Specifications are subject to change without notice.

INTERCHANGEABLE LENS FOR DIGITAL CAMERA “LUMIX G 20 mm/F1.7 II ASPH.”

Focal length	f=20 mm (35 mm film camera equivalent: 40 mm)
Aperture type	7 diaphragm blades/circular aperture diaphragm
Aperture range	F1.7
Minimum aperture value	F16
Lens construction	7 elements in 5 groups (2 aspherical lenses)
In focus distance	0.2 m to ∞ (from the focus distance reference line)
Maximum image magnification	0.13 \times (35 mm film camera equivalent: 0.25 \times)
Optical image stabilizer	Not available
Mount	“Micro Four Thirds Mount”
Angle of view	57°
Filter diameter	46 mm
Max. diameter	Approx. 63 mm
Overall length	Approx. 25.5 mm (from the tip of the lens to the base side of the lens mount)
Mass	Approx. 87 g

- When using the lens with a LUMIX digital camera, you cannot set to [AFC]/[AFF] in focus mode or [C:AF] in [PRE AF]. (As of June 2013) (The focus modes available may vary depending on the camera)

Limited Warranty (ONLY FOR AUSTRALIA)

Panasonic Warranty

1. The product is warranted for 12 months from the date of purchase. Subject to the conditions of this warranty Panasonic or its Authorised Service Centre will perform necessary service on the product without charge for parts or labour, if in the opinion of Panasonic, the product is found to be faulty within the warranty period.
2. This warranty only applies to Panasonic products purchased in Australia and sold by Panasonic Australia or its Authorised Distributors or Dealers and only where the products are used and serviced within Australia or its territories. Warranty cover only applies to service carried out by a Panasonic Authorised Service Centre and only if valid proof of purchase is presented when warranty service is requested.
3. This warranty only applies if the product has been installed and used in accordance with the manufacturer's recommendations (as noted in the operating instructions) under normal use and reasonable care (in the opinion of Panasonic). The warranty covers normal domestic use only and does not cover damage, malfunction or failure resulting from use of incorrect voltages, incorrect installation, accident, misuse, neglect, build-up of dirt or dust, abuse, maladjustment of customer controls, mains supply problems, thunderstorm activity, infestation by insects or vermin, tampering or repair by unauthorised persons (including unauthorised alterations), introduction of sand, humidity or liquids, commercial use such as hotel, office, restaurant, or other business or rental use of the product, exposure to abnormally corrosive conditions or any foreign object or matter having entered the product.
4. This warranty does not cover the following items unless the fault or defect existed at the time of purchase:
 - (a) Cabinet Part(s)
 - (b) Video or Audio Tapes
 - (c) SD cards or USB devices
 - (d) User replaceable Batteries etc
5. Some products may be supplied with Ethernet connection hardware. The warranty is limited on such products and will not cover:
 - (a) Internet and or DLNA connection / setup related problems
 - (b) Access fees and or charges incurred for internet connection
 - (c) The use of incompatible software or software not specifically stipulated in the product operations manual; and
 - (d) Any indirect or consequential costs associated with the incorrect use or misuse of the hardware, its connection to the internet or any other device.
6. To claim warranty service, when required, you should:
 - Telephone Panasonic's Customer Care Centre on 132600 or visit our website referred to below and use the Service Centre Locator for the name/address of the nearest Authorised Service Centre.
 - Send or take the product to a Panasonic Authorised Service Centre together with your proof of purchase receipt as a proof of purchase date. Please note that freight and insurance to and / or from your nearest Authorised Service Centre must be arranged by you.
 - Note that home or pick-up/delivery service is available for the following products in the major metropolitan areas of Australia or the normal operating areas of the nearest Authorised Service Centres:
 - Plasma/LCD televisions / displays (screen size greater than 103 cm)
7. The warranties hereby conferred do not extend to, and exclude, any costs associated with the installation, de-installation or re-installation of a product, including costs related to the mounting, de-mounting or re-mounting of any screen, (and any other ancillary activities), delivery, handling, freighting, transportation or insurance of the product or any part thereof or replacement of and do not extend to, and exclude, any damage or loss occurring by reason of, during, associated with, or related to such installation, de-installation, re-installation or transit.

Panasonic Authorised Service Centres are located in major metropolitan areas and most regional centres of Australia. For a complete list of our authorised service centres, please refer to the Service Centre Locator for your product or please telephone our Customer Care Centre on 132600 or visit our website and use the Service Centre Locator.

In addition to your rights under this warranty, Panasonic products come with consumer guarantees that cannot be excluded under the Australian Consumer Law. If there is a major failure with the product, you can reject the product and elect to have a refund or to have the product replaced or if you wish you may elect to keep the goods and be compensated for the drop in value of the goods. You are also entitled to have the product repaired or replaced if the product fails to be of acceptable quality and the failure does not amount to a major failure.

If there is a major failure in regard to the product which cannot be remedied then you must notify us within a reasonable period by contacting the Panasonic Customer Care Centre. If the failure in the product is not a major failure then Panasonic may choose to repair or replace the product and will do so in a reasonable period of time from receiving notice from you.

THIS WARRANTY CARD AND THE PURCHASE DOCKET (OR SIMILAR PROOF OF PURCHASE) SHOULD BE RETAINED BY THE CUSTOMER AT ALL TIMES

If you require assistance regarding warranty conditions or any other enquiries, please visit the **Panasonic Australia** website www.panasonic.com.au or contact by phone on **132 600** **If phoning in, please ensure you have your operating instructions available.**

Panasonic Australia Pty. Limited

ACN 001 592 187 ABN 83 001 592 187
1 Innovation Road, Macquarie Park NSW 2113

PRO-031-F11 Issues: 4.0

01-01-2011

Inhalt

Informationen für Ihre Sicherheit.....	12
Vermeidung von Störungen	15
Beiliegendes Zubehör	16
Bezeichnungen und Funktionen der einzelnen Kamerateile	17
Objektiv ansetzen/abnehmen	17
Vorsichtsmaßnahmen	19
Fehlerbehebung.....	20
Spezifikationen	21

Informationen für Ihre Sicherheit

Halten Sie das Gerät so weit wie möglich von Geräten und Einrichtungen fern, die elektromagnetische Felder erzeugen (wie Mikrowellengeräte, Fernsehgeräte, Videospiegelgeräte, Funksender, Hochspannungsleitungen usw.).

- Verwenden Sie die Kamera nicht in der Nähe von Mobiltelefonen. Es könnten sonst Bild- und Tonstörungen auftreten.
- Wenn die Kamera durch elektromagnetische Felder anderer Geräte gestört wird und Fehlfunktionen auftreten, schalten Sie die Kamera aus. Nehmen Sie den Akku heraus und/oder trennen Sie das Netzadapter ab. Setzen Sie den Akku dann wieder ein und/oder stecken Sie das Netzadapter wieder ein und schalten Sie die Kamera ein.

Das Objektiv kann mit Digitalkameras verwendet werden, deren Objektivfassung mit dem "Micro Four Thirds™ System"-Standard kompatibel ist.

- Objektive dieser Ausführung lassen sich nicht auf Kameras mit Four-Thirds™-Bajonett aufsetzen.

- Die Erläuterungen zur Digitalkamera in dieser Bedienungsanleitung beziehen sich als ein Beispiel auf DMC-GF6.
- Ausstattung und technische Daten der von Ihnen erworbenen Produkte können aufgrund technischer Weiterentwicklungen von der Ausstattung und den technischen Daten der in diesem Handbuch beschriebenen Produkte abweichen.
- Micro Four Thirds™ und die für Micro Four Thirds verwendeten Logos sind Markenzeichen oder eingetragene Markenzeichen der Olympus Imaging Corporation in Japan, den USA, der EU und anderen Ländern.
- Four Thirds™ und die für Four Thirds verwendeten Logos sind Markenzeichen oder eingetragene Markenzeichen der Olympus Imaging Corporation in Japan, den USA, der EU und anderen Ländern.
- Das G MICRO SYSTEM ist ein Digitalkamerasystem aus der LUMIX-Reihe mit Wechselobjektiven auf Grundlage des Micro-Four-Thirds-Standards.
- Andere Namen von Systemen oder Produkten welche in dieser Bedienungsanleitung genannt werden, sind normalerweise Warenzeichen oder eingetragene Warenzeichen der Hersteller dieser Produkte oder Systeme.

-Bedeutung des nachstehend abgebildeten Symbols-

Entsorgung von Altgeräten

Nur für die Europäische Union und Länder mit Recyclingsystemen



Dieses Symbol, auf den Produkten, der Verpackung und/oder den Begleitdokumenten, bedeutet, dass gebrauchte elektrische und elektronische Produkte nicht in den allgemeinen Hausmüll gegeben werden dürfen.

Bitte führen Sie alte Produkte zur Behandlung, Aufarbeitung bzw. zum Recycling gemäß den gesetzlichen Bestimmungen den zuständigen Sammelpunkten zu.

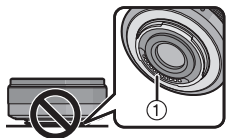
Indem Sie diese Produkte ordnungsgemäß entsorgen, helfen Sie dabei, wertvolle Ressourcen zu schützen und eventuelle negative Auswirkungen auf die menschliche Gesundheit und die Umwelt zu vermeiden.

Für mehr Informationen zu Sammlung und Recycling, wenden Sie sich bitte an Ihren örtlichen Abfallentsorgungsdienstleister.

Gemäß Landesvorschriften können wegen nicht ordnungsgemäßer Entsorgung dieses Abfalls Strafgeelder verhängt werden.

■ Objektivpflege

- **Sand und Staub können das Objektiv beschädigen. Achten Sie darauf, dass kein Sand oder Staub auf Objektiv oder Anschlüsse gelangt, wenn Sie die Kamera im Freien, z.B. am Strand, verwenden.**
- **Dieses Objektiv ist nicht wasserdicht. Wenn Regenwasser oder anderes Wasser auf das Objektiv spritzt, wischen Sie es mit einem trockenen Tuch ab.**
- Üben Sie keinen zu starken Druck auf das Objektiv aus.
- Schmutz auf dem Objektiv (Wasser, Öl, Fingerabdrücke usw.) kann zu schlechteren Bildern führen. Wischen Sie die Objektivoberfläche vor und nach dem Fotografieren vorsichtig mit einem weichen, trockenen Tuch ab.
- Richten Sie die Objektivfassung nicht nach unten. Achten Sie darauf, dass der Kontaktpunkt der Objektivfassung ① nicht verschmutzen.



■ Hinweise zu Kondensation (Beschlagen des Objektivs)

- Kondensation entsteht, wenn sich Umgebungstemperatur oder Luftfeuchte wie unten beschrieben ändern. Da Kondensation zu Flecken auf dem Objektiv, Pilzbefall und Fehlfunktionen führen kann, müssen Sie in folgenden Fällen auf Anzeichen von Kondensation achten:
 - Die Kamera wird bei kaltem Wetter von draußen nach drinnen gebracht
 - Die Kamera wird in ein klimatisiertes Auto gebracht
 - Eine Klimaanlage bläst kalte Luft direkt auf das Objektiv
 - Die Kamera wird bei hoher Luftfeuchte verwendet
- Sie vermeiden Kondensation, wenn Sie die Kamera in einer geschlossenen Plastiktüte transportieren und diese erst dann öffnen, wenn sich die Kamera an die Umgebungstemperatur angepasst hat. Wenn sich Kondensation bildet, schalten Sie die Kamera aus und lassen Sie sie für etwa zwei Stunden ausgeschaltet. Die Kondensation baut sich während der Anpassung der Kamera an die Umgebung auf natürlichem Wege ab.

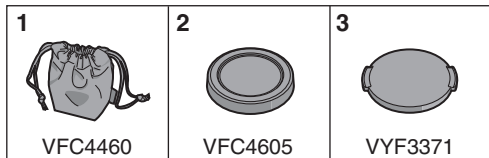
Beiliegendes Zubehör

[Kontrollen, die beim Entfernen der Verpackung des Geräts vorzunehmen sind]

Prüfen Sie beim Entnehmen des Gerätes aus seinem Karton, ob das Hauptgerät und sein beiliegendes Zubehör vorhanden sind. Kontrollieren Sie deren äußeres Aussehen und ihre Funktionsweise, um zu prüfen, dass es während des Vertriebs und Transports nicht zu Beschädigungen gekommen ist.

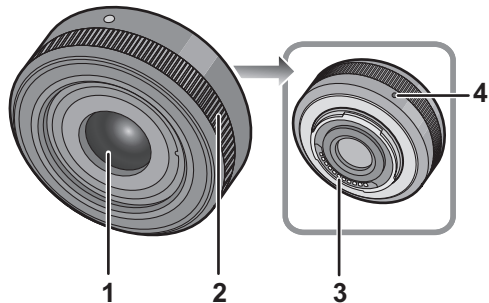
Setzen Sie sich, sollten Sie Störungen feststellen, vor dem Gebrauch des Gerätes mit Ihrem Händler in Verbindung.

Die Produktnummern entsprechen dem Stand von Juni 2013. Änderungen bleiben vorbehalten.



- 1 Objektivtasche
- 2 Hinterer Objektivdeckel
(Beim Kauf sind der hintere Objektivdeckel und der Objektivdeckel auf das Wechselobjektiv aufgesetzt.)
- 3 Objektivdeckel

Bezeichnungen und Funktionen der einzelnen Kamerateile

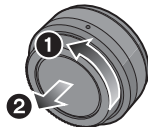


- 1 Linsenfläche
- 2 Schärfering
Drehen Sie zum Scharfstellen am Schärfering, wenn Sie Aufnahmen mit der manuellen Scharfeinstellung machen.
- 3 Kontaktpunkt
- 4 Markierung zum Ansetzen des Objektivs

Dieses Objektiv arbeitet mit einem Antriebssystem, um auf kompaktem Raum die lichtstarke Blende von F1.7 zu ermöglichen, sodass beim Scharfstellen Betriebsgeräusche und Vibrationen auftreten. Dabei handelt es sich also nicht um Fehlfunktionen. Wenn sich bei Videoaufnahmen die automatische Scharfstellung aktiviert, werden die entsprechenden Betriebsgeräusche aufgezeichnet. Falls die Betriebsgeräusche die Aufnahme stören, sollten Sie auf die manuelle Scharfstellung ([MF]) umschalten und die Schärfe vor der Aufnahme festlegen, damit keine Objektivgeräusche aufgezeichnet werden.

Objektiv ansetzen/abnehmen

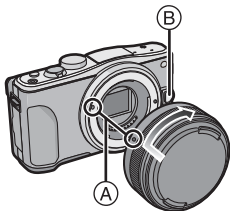
- Informationen zum Aufsetzen und Abnehmen des Objektivs finden Sie auch in der Bedienungsanleitung der Kamera.
- Stellen Sie sicher, dass die Kamera ausgeschaltet ist.
- Entfernen Sie den hinteren Objektivdeckel vom Objektiv.



■ Das Objektiv aufsetzen

Richten Sie die roten Markierungen **A** zum Ansetzen des Objektivs auf Kameragehäuse und Objektiv aneinander aus und drehen Sie das Objektiv in Pfeilrichtung, bis es hörbar einrastet.

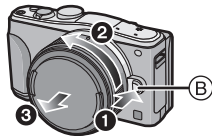
- Drücken Sie nicht die Objektivfreigabetaste **B** wenn Sie ein Objektiv anschließen.
- Versuchen Sie niemals, das Objektiv schräg zum Gehäuse anzusetzen, da die Objektivfassung beschädigt werden könnte.
- Überprüfen Sie, ob das Objektiv richtig aufgesetzt ist.
- Entfernen Sie beim Aufnehmen unbedingt den Objektivdeckel.



■ Das Objektiv abnehmen

Drehen Sie beim Betätigen der Objektivfreigabetaste **B** das Objektiv in Pfeilrichtung bis zum Anschlag und entfernen Sie es.

- Setzen Sie den hinteren Objektivdeckel auf, um die Kontakte der Objektivfassung nicht zu beschädigen.
- Setzen Sie den Gehäusedeckel der Kamera auf, damit kein Schmutz oder Staub ins Kamerainnere gelangen kann.



■ Filter aufsetzen

- Falls zwei oder mehr Aufsätze, also MC-Schutzfilter (Sonderzubehör: DMW-LMC46), PL-Filter (Sonderzubehör: DMW-LPL46) oder ND-Filter (Sonderzubehör: DMW-LND46), verwendet werden oder falls der verwendete Objektivschutz bzw. Filter besonders dick ist, kann ein Vignettierungseffekt auftreten.
- Der Filter lässt sich eventuell nicht mehr abnehmen, wenn er zu fest angezogen wird. Gehen Sie daher vorsichtig vor.
- Der Objektivdeckel kann auch aufgesetzt werden, wenn der Filter bereits angebracht ist.
- Sollten Sie Probleme mit dem Aufsetzen oder Abnehmen des PL-Filters (Sonderzubehör: DMW-LPL46) haben, schalten Sie die Digitalkamera ein, stellen Sie den Schärfemodus auf "Manuell" ([MF]) und versuchen Sie es erneut.
- Auf dieses Objektiv lassen sich weder Vorsatzlinsen noch Adapter aufsetzen. Die Verwendung von Filtern ist möglich, das Aufsetzen anderer Komponenten dagegen kann zu einer Beschädigung des Objektivs führen.

Vorsichtsmaßnahmen

Achten Sie darauf, das Objektiv nicht fallen zu lassen und keinen starken Stößen auszusetzen. Üben Sie keinesfalls zu starken Druck auf das Objektiv aus.

- Achten Sie auch darauf, dass die Tasche, in der Sie das Objektiv aufbewahren, nicht herunterfällt, denn das Objektiv könnte sonst schwer beschädigt werden. Unter Umständen funktioniert dann auch die Kamera nicht mehr und kann keine Bilder mehr aufzeichnen.

Wenn in der Umgebung der Kamera Pestizide oder andere flüchtige Substanzen verwendet werden, müssen Sie dafür sorgen, dass diese Stoffe nicht in Kontakt mit der Objektivoberfläche kommen.

- Falls solche Substanzen auf das Objektiv gelangen, könnten sie zur Beschädigung des Objektivs oder zum Abblättern der Farbe führen.

Tragen Sie das Gerät nicht, während es noch an der Kamera angebracht ist.

- Keinesfalls darf das Gerät unter den folgenden Bedingungen benutzt oder aufbewahrt werden, da dies zu Defekten oder Funktionsstörungen führen kann.
 - Bei direktem Sonnenlicht oder im Sommer an der Küste

- An Orten mit hohen Temperaturen und hoher Feuchtigkeit, bzw. wo starke Änderungen bei Temperatur und Feuchtigkeit erfolgen
- An Orten mit hoher Konzentration von Sand, Staub oder Schmutz
- Bei einem Brand
- In der Nähe von Heizkörpern, Klimaanlage oder Luftbefeuchtern
- Wo Wasser das Gerät benässen kann
- Wo Erschütterungen vorhanden sind
- In einem Fahrzeug
- Weiter Informationen finden Sie auch in der Bedienungsanleitung der Kamera.
- Wenn für längere Zeit kein Einsatz erfolgt, lagern Sie das Objektiv gemeinsam mit einem Trocknungsmittel (Silica-Gel). Ohne ausreichende Trocknung kann die Einsatzfähigkeit des Objektivs durch Schimmel usw. beeinträchtigt oder der Einsatz völlig unmöglich werden. Es wird empfohlen, die Funktionsfähigkeit des Gerätes vor dem Gebrauch zu prüfen.
- Stellen Sie sicher, dass das Objektiv nicht über einen längeren Zeitraum in Kontakt mit Gummi- oder Plastikprodukten kommt.
- Berühren Sie nicht die elektrischen Kontakte des Gerätes. Dadurch kann es zu einem Defekt am Gerät kommen.
- Nehmen Sie das Gerät nicht auseinander und nehmen Sie keine Veränderungen daran vor.

Verwenden Sie zur Reinigung der Geräte kein Waschbenzin, Alkohol oder ähnliche Reinigungsmittel.

- Lösungsmittel können zur Beschädigung des Objektivs oder zum Abblättern der Farbe führen.
- Staub und Fingerabdrücke lassen sich mit einem weichen, trockenen Tuch entfernen.
- Verwenden Sie ein trockenes Staubtuch, um Schmutz und Staub vom Schärferring zu entfernen.
- Verwenden Sie keine Küchenspülmittel oder mit Chemikalien getränkte Tücher.

Fehlerbehebung

Beim Ein- und Ausschalten ist ein Geräusch zu hören.

Vom Objektiv wird beim Aufnehmen eines Bildes von einem hellen Objekt, wie im Freien, ein Geräusch erzeugt.

- Dieses Geräusch wird durch die Blenden- oder Objektivbewegung verursacht; es ist keine Fehlfunktion.

Spezifikationen

Die Spezifikationen können ohne Ankündigung geändert werden.

WECHSELOBJEKTIV FÜR DIGITALE KAMERA "LUMIX G 20 mm/F1.7 II ASPH."

Brennweite	f=20 mm (Kleinbild-Äquivalent: 40 mm)
Blende	7 Blendenlamellen/runde Öffnungsblende
Blendenwerte	F1.7
Minimale Blende	F16
Objektivaufbau	7 Elemente in 5 Gruppen (2 asphärische Linsen)
Schärfebereich	0,2 m bis ∞ (von der Referenzlinie für die Brennweite)
Maximale Vergrößerung	0,13 \times (Kleinbild-Äquivalent: 0,25 \times)
Optischer bildstabilisator	Nicht verfügbar
Objektivbajonett	"Micro Four Thirds Mount"
Bildwinkel	57°
Filterdurchmesser	46 mm
Max. Durchmesser	Ca. 63 mm
Gesamtlänge	Ca. 25,5 mm (vom vorderen Ende des Objektivs bis zum Ende des Objektivbajonetts)
Gewicht	Ca. 87 g

- Wenn Sie das Objektiv auf einer LUMIX-Digitalkamera verwenden, ist die Einstellung auf [AFC]/[AFF] im Schärfemodus oder [C-AF] unter [VOR-AF] nicht möglich. (Stand: Juni 2013) (Welche Schärfemodi verfügbar sind, kann sich je nach der Kamera unterscheiden.)

Table des matières

Précautions à prendre	22
Précautions	25
Accessoires fournis	26
Noms et fonctions des composants.....	27
Fixation/Retrait de l'objectif	27
Précautions d'utilisation	29
Dépannage	30
Spécifications.....	31

Précautions à prendre

Évitez d'approcher l'élément de tout équipement magnétisé (four à micro-ondes, téléviseur, équipement de jeux vidéo, émetteur radio, ligne à haute tension, etc.).

- N'utilisez pas l'appareil photo à proximité d'un téléphone cellulaire; cela pourrait entraîner un bruit nuisible à l'image et au son.
- Advenant le cas où le fonctionnement de l'appareil serait dérangé par un champ magnétique, coupez le contact, retirez la batterie ou débranchez l'adaptateur secteur pour ensuite soit remettre la batterie en place, soit rebrancher l'adaptateur. Remettez l'appareil en marche.

L'objectif peut être utilisé de pair avec un appareil photo numérique compatible avec la monture d'objectif standard prise en charge par le système "Micro Four Thirds™ System".

- Il ne peut pas être monté sur les appareils à monture Four Thirds™.
- Les illustrations de l'appareil photo numérique de ce manuel d'utilisation prennent le DMC-GF6 comme exemple.
- L'apparence et les spécifications des produits décrits dans le présent manuel peuvent différer

des produits que vous avez achetés en raison de bonifications ultérieures.

- Micro Four Thirds™ et le logo Micro Four Thirds sont des marques commerciales ou des marques déposées d'Olympus Imaging Corporation, au Japon, aux États-Unis, en Union européenne et dans les autres pays.
- Four Thirds™ et le logo Four Thirds sont des marques commerciales ou des marques déposées d'Olympus Imaging Corporation, au Japon, aux États-Unis, en Union européenne et dans les autres pays.
- G MICRO SYSTEM est un système appareil photo numérique du type à échange d'objectif de LUMIX basé sur un standard Micro Four Thirds.
- Les autres noms de systèmes et produits mentionnés dans ce manuel d'utilisation sont habituellement des marques déposées ou des marques de commerce des fabricants qui ont développé le système ou le produit intéressé.

-Si vous voyez ce symbole-

L'élimination des équipements usagés

Applicable uniquement dans les pays membres de l'Union européenne et les pays disposant de systèmes de recyclage.



Apposé sur le produit lui-même, sur son emballage, ou figurant dans la documentation qui l'accompagne, ce pictogramme indique que appareils électriques et électroniques usagés, doivent être séparées des ordures ménagères.

Afin de permettre le traitement, la valorisation et le recyclage adéquats des appareils usagés, veuillez les porter à l'un des points de collecte prévus, conformément à la législation nationale en vigueur.

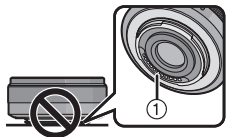
En les éliminant conformément à la réglementation en vigueur, vous contribuez à éviter le gaspillage de ressources précieuses ainsi qu'à protéger la santé humaine et l'environnement.

Pour de plus amples renseignements sur la collecte et le recyclage, veuillez vous renseigner auprès des collectivités locales.

Le non-respect de la réglementation relative à l'élimination des déchets est passible d'une peine d'amende.

■ Entretien de l'objectif

- **Le sable et la poussière peuvent endommager l'objectif. Aussi, convient-il de protéger et l'objectif et les contacts de la monture contre toute infiltration de sable et de poussière lorsque l'appareil est utilisé à la plage, etc.**
- **Cet objectif n'est pas étanche à l'eau. Si des gouttes d'eau l'éclaboussaient, essuyez l'objectif avec un linge sec.**
- N'appuyez pas avec force sur l'objectif.
- Lorsqu'il a des salissures (eau, huile, traces de doigts, etc.) sur la surface de l'objectif, cela peut avoir une incidence sur l'image. Essuyez légèrement la surface de l'objectif avec un chiffon sec et doux avant et après la prise de photos.
- Ne posez pas l'objectif côté monture vers le bas. Point de contact ① de la monture de l'objectif restent toujours propres.



■ À propos de la condensation (Objectif embué)

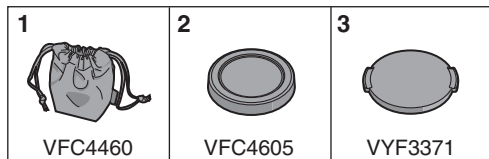
- Il y a formation de condensation lorsque la température et l'humidité changent comme suit. La condensation peut salir l'objectif, entraîner de la moisissure et des problèmes de fonctionnement. Aussi, est-il important de prendre des précautions dans les circonstances suivantes:
 - Lorsque l'appareil est transporté de l'extérieur à l'intérieur par temps froid
 - Lorsque l'appareil est placé dans un véhicule climatisé
 - Lorsque l'air frais d'un climatiseur arrive directement sur l'objectif
 - Lorsque l'appareil est utilisé ou placé dans un endroit humide
- Gardez l'appareil photo à l'intérieur d'un sac en plastique jusqu'à ce que la température de celui-ci soit la plus près possible de celle de la température ambiante afin d'éviter la condensation. En cas de condensation, éteignez l'appareil photo et laissez-le ainsi pendant environ 2 heures. Lorsque la température de l'appareil photo se rapproche de celle ambiante, la buée disparaît naturellement.

Accessoires fournis

[La vérification doit être effectuée lorsque vous sortez l'appareil de l'emballage]

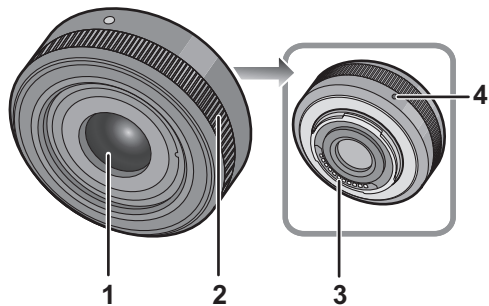
En retirant l'appareil de son emballage, vérifiez la présence de l'appareil principal et de tous ses accessoires, et vérifiez également l'apparence externe ainsi que leur fonction afin de vous assurer qu'ils n'ont subi aucun dommage lors du transport ou de la livraison. Si vous découvrez un problème, contactez votre vendeur avant d'utiliser le produit.

Les codes des produits sont corrects jusqu'à juin 2013. Ceux-ci sont susceptibles d'être modifiés.



- 1** Sac de rangement pour l'objectif
- 2** Capuchon arrière de l'objectif
(Le capuchon arrière de l'objectif et le capuchon d'objectif sont fixés à l'objectif interchangeable au moment de l'achat.)
- 3** Capuchon d'objectif

Noms et fonctions des composants



- 1 Surface de l'objectif
- 2 Bague de mise au point
Tournez pour effectuer la mise au point lors de prises de vues avec mise au point manuelle.
- 3 Point de contact
- 4 Repère pour la mise en place de l'objectif

Cet objectif compact utilise un système d'entraînement de la lentille pour permettre un lumineux F1.7. Pour cette raison, il y a des bruits et des vibrations de fonctionnement pendant la mise au point, mais il ne s'agit pas d'un dysfonctionnement. Les sons de fonctionnement sont enregistrés pendant la mise au point automatique durant l'enregistrement d'un film. Si les sons de fonctionnement deviennent gênants, nous vous conseillons de régler sur la mise au point manuelle ([MPM]) et de fixer la mise au point avant l'enregistrement pour éviter d'enregistrer le bruit de l'objectif.

Fixation/Retrait de l'objectif

- Pour les instructions sur la mise en place et le retrait de l'objectif, reportez-vous au manuel d'utilisateur de l'appareil photo.
- Vérifiez que l'appareil photo est éteint.
- Retirez le capuchon d'objectif arrière de l'objectif.

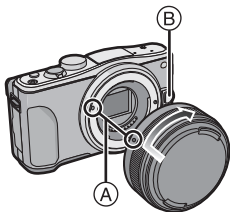


■ Mise en place de l'objectif

Alignez les repères pour la mise en place de l'objectif

Ⓐ sur le boîtier de l'appareil photo et sur l'objectif, puis tournez l'objectif dans le sens de la flèche jusqu'à ce que vous entendiez un déclic.

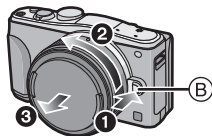
- N'appuyez pas sur la touche de relâche de l'objectif Ⓑ lorsque vous installez un objectif.
- N'essayez pas de fixer l'objectif lorsque vous le tenez en angle par rapport au boîtier, car la monture de l'objectif risquerait d'être éraflée.
- Vérifiez que l'objectif est fixé correctement.
- Veillez à retirer le capuchon d'objectif pour enregistrer.



■ Retrait de l'objectif

Tout en appuyant sur la touche de déverrouillage de l'objectif Ⓑ, tournez l'objectif dans le sens de la flèche jusqu'à ce qu'il s'arrête puis retirez-le.

- Fixez le capuchon arrière de l'objectif afin que les contacts de la monture de l'objectif ne soient pas rayés.
- Fixez le capuchon sur la monture d'objectif de manière à prévenir toute infiltration de poussière dans l'appareil.



■ Fixation de filtres

- Un effet de vignetage peut survenir en utilisant 2 ou plus protecteurs MC (en option:DMW-LMC46), filtres PL (en option:DMW-LPL46) ou filtres ND (en option:DMW-LND46), ou en utilisant des protecteurs et/ou des filtres épais.
- Le filtre peut être impossible à retirer s'il est trop serré, veuillez donc éviter de le faire.
- Il est possible de fixer le capuchon d'objectif avec le filtre déjà en place.
- Si vous avez des problèmes pour fixer ou retirer le filtre PL (en option:DMW-LPL46), nous vous conseillons d'allumer l'appareil photo numérique et d'essayer de nouveau avec le mode de mise au point réglé sur "manuel" ([MPM]).
- Vous ne pouvez pas installer de convertisseur d'objectif ou d'adaptateur sur cet objectif. Un filtre peut être utilisé, mais installer un autre élément peut causer des dommages à l'objectif.

Précautions d'utilisation

Prenez soin de ne pas faire tomber ni de cogner l'objectif. De plus ne mettez pas trop de pression dessus.

- Attention à ne pas faire tomber le sac où se trouve l'objectif, car celui-ci pourrait être endommagé. L'appareil photo pourrait ne plus marcher normalement et les images ne seraient plus enregistrées.

Si des pesticides ou toute autre substance volatile sont utilisés près de l'appareil, veuillez protéger l'objectif contre toute éclaboussure ou vaporisation.

- Si de telles substances atteignent l'objectif, celui-ci pourrait être endommagé, ou la peinture pourrait s'écailler.

Ne transportez pas l'objectif s'il est encore fixé sur l'appareil photo.

- En aucunes circonstances vous ne devez ranger l'objectif dans les endroits indiqués ci-dessous car cela pourrait causer des problèmes d'utilisation ou de mauvais fonctionnement.
– À la lumière directe du soleil ou sur la plage en été

- Dans des endroits ayant des niveaux de température et d'humidité élevés ou dans des endroits où les changements de température et d'humidité sont prononcés
- Dans des endroits ayant une forte concentration de sable, de poussière ou de saleté
- Où il y a du feu
- Près de radiateurs, climatiseurs, humidificateurs
- Où l'eau pourrait mouiller l'objectif
- Où il y a des vibrations
- À l'intérieur d'un véhicule
- Reportez-vous également au manuel d'utilisation de l'appareil photo.
- Si l'appareil ne doit plus être utilisé pendant une période prolongée, nous vous conseillons de le ranger avec un produit déshydratant (gel de silice). Tout manquement à cela pourrait provoquer une panne causée par la moisissure etc. Nous vous conseillons de vérifier le fonctionnement de l'objectif avant de l'utiliser.
- Évitez que l'objectif ne soit en contact avec des produits en plastique ou en caoutchouc pendant une longue période.
- Ne touchez pas les contacts électriques de l'objectif. Ceci pourrait causer un mauvais fonctionnement de l'objectif.
- Ne désassemblez ni ne tentez de modifier l'objectif.

N'utilisez pas de benzène, d'alcool ni aucun autre produit nettoyant similaire pour nettoyer l'appareil.

- L'emploi de solvants peut endommager l'objectif ou faire s'écailler la peinture.
- Essuyez toute poussière ou traces de doigts avec un chiffon doux et sec.
- Utilisez un chiffon sec pour retirer la saleté et la poussière de la bague de mise au point.
- N'utilisez pas de détergent de cuisine ou de linge chimique.

Dépannage

Un bruit se fait entendre à la mise en marche et hors marche de l'appareil photo.

Un son provenant de l'objectif est audible lorsque vous prenez une photo d'un sujet illuminé comme à l'extérieur.

- Il s'agit du bruit de l'objectif ou du mouvement de l'ouverture et ce n'est pas un défaut de fonctionnement.

Spécifications

Ces caractéristiques peuvent subir des changements sans avis préalable.

OBJECTIF INTERCHANGEABLE POUR APPAREIL PHOTO NUMÉRIQUE

“LUMIX G 20 mm/F1.7 II ASPH.”

Distance focale	f=20 mm (Équivalent à un film de 35 mm: 40 mm)
Type d'ouverture	7 lamelles de diaphragme/diaphragme à ouverture ronde
Plage d'ouverture	F1.7
Valeur d'ouverture minimum	F16
Composition de l'objectif	7 éléments en 5 groupes (lentilles 2 asphériques)
Distance de mise au point	0,2 m à ∞ (à partir de la ligne de référence de mise au point)
Grossissement maximum de l'image	0,13× (Équivalent à un film de 35 mm: 0,25×)
Stabilisateur optique de l'image	Non disponible
Monture	“Micro Four Thirds Mount”
Angle de vue	57°
Diamètre de filtre	46 mm
Diamètre maximum	Environ 63 mm
Longueur totale	Environ 25,5 mm (du bout de l'objectif à la base de montage de l'objectif)
Poids	Environ 87 g

- En utilisant l'objectif avec un appareil photo numérique LUMIX, vous ne pouvez pas régler sur [MPA C]/[MPA F] en mode de mise au point ou [C/AF] en [PRÉ MPA]. (A compter de juin 2013) (Les modes de mise au point disponibles peuvent varier selon l'appareil photo)

Índice

Información para su seguridad	32
Prevención contra las averías	35
Accesorios suministrados	36
Nombres y funciones de los componentes	37
Unir y quitar el objetivo	37
Precauciones para el uso	39
Búsqueda de averías	40
Especificaciones	41

Información para su seguridad

Mantenga la unidad lo más lejos que sea posible de equipos electromagnéticos (como hornos de microondas, televisores, vídeo juegos, trasmisores radio, líneas de alto voltaje, etc.).

- No utilice la cámara cerca de teléfonos móviles, ya que lo de hacerlo puede producir ruido que afectará negativamente a las imágenes y el sonido.

- Si la cámara queda afectada negativamente por un equipo electromagnético y deja de funcionar correctamente, apague la cámara y quite la batería y/o el adaptador de CA conectado. Luego vuelva a insertar la batería y/o vuelva a conectar el adaptador de CA y encienda la cámara.

El objetivo puede usarse con una cámara digital compatible con el estándar de montaje de objetivos del “Micro Four Thirds™ System”.

- No se puede montar en una cámara con estándar de soporte Four Thirds™.
- Las figuras de la cámara digital en estas instrucciones de funcionamiento muestran la DMC-GF6 en concepto de ejemplo.
- E aspecto y las especificaciones de los productos descritos en este manual pueden diferir de los productos reales que usted ha comprado debido a aumentos sucesivos.
- El logotipo Micro Four Thirds™ y Micro Four Thirds son marcas comerciales o marcas comerciales registradas de Olympus Imaging Corporation, en Japón, Estados Unidos, la Unión Europea y otros países.
- El logotipo Four Thirds™ y Four Thirds son marcas comerciales o marcas comerciales registradas de Olympus Imaging Corporation, en Japón, Estados Unidos, la Unión Europea y otros países.

- G MICRO SYSTEM es un sistema de cámara digital con objetivo intercambiable de LUMIX basado en el estándar Micro Four Thirds System.
- Los nombres de los sistemas y productos que se mencionan en estas instrucciones generalmente son marcas comerciales registradas o marcas comerciales de los fabricantes que desarrollaron el sistema o producto en cuestión.

-Si ve este símbolo-

Eliminación de Aparatos Viejos

Solamente para la Unión Europea y países con sistemas de reciclado.



Este símbolo en los productos, su embalaje o en los documentos que los acompañen significa que los productos eléctricos y electrónicos usadas no deben mezclarse con los residuos domésticos.

Para el adecuado tratamiento, recuperación y reciclaje de los productos viejos llévelos a los puntos de recogida de acuerdo con su legislación nacional.

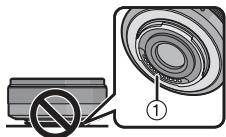
Si los elimina correctamente ayudará a preservar valuosos recursos y evitará potenciales efectos negativos sobre la salud de las personas y sobre el medio ambiente.

Para más información sobre la recogida u reciclaje, por favor contacte con su ayuntamiento.

Puede haber sanciones por una incorrecta eliminación de este residuo, de acuerdo con la legislación nacional.

■ Atención del objetivo

- La arena y el polvo pueden dañar el objetivo. Cuando usa el objetivo en una playa, tenga cuidado de que ni arena ni polvo entren en el interior del objetivo o los terminales, etc.
- Este objetivo no es impermeable. Si caen gotas de agua en el objetivo, límpielo con un paño seco.
- No ejerce demasiada presión en el objetivo.
- Cuando hay suciedad (agua, aceite, huellas dactilares, etc.) en la superficie del objetivo, la imagen puede salir afectada. Limpie ligeramente con un paño blando y seco antes y después de tomar las imágenes.
- No meta el soporte del objetivo mirando hacia abajo. No deje que se ensucien los puntos de contacto ①.



■ Acerca de la condensación (Empañamiento del objetivo)

- La condensación ocurre cuando se encuentra una diferencia en la temperatura y humedad como se describe abajo. La condensación puede hacer ensuciar el objetivo y producir hongos y un funcionamiento defectuoso, por lo tanto ponga cuidado en las situaciones a continuación:
 - Cuando lleva la cámara en casa desde el aire libre durante un tiempo frío
 - Cuando lleva la cámara dentro de un coche con aire acondicionado
 - Cuando sopla en el objetivo aire frío desde un acondicionador de aire
 - En lugares húmedos
- Para impedir la condensación, meta la cámara en una bolsa de plástico para que se aclimate a la temperatura ambiente. Si ocurre condensación, apague la alimentación y la deje así durante dos horas. Una vez de que la cámara se haya aclimatado a la temperatura ambiente en empañamiento desaparece naturalmente.

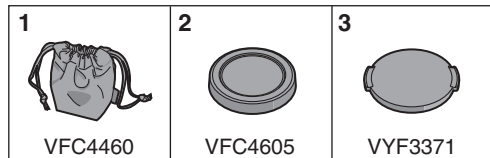
Accesorios suministrados

[Controles a realizar cuando va a desembalar la unidad]

Al quitar la unidad de su embalaje, compruebe que se encuentren la unidad principal y los accesorios suministrados. Además compruebe el aspecto externo y las funciones para verificar que no hayan padecidos daños durante la distribución y el transporte.

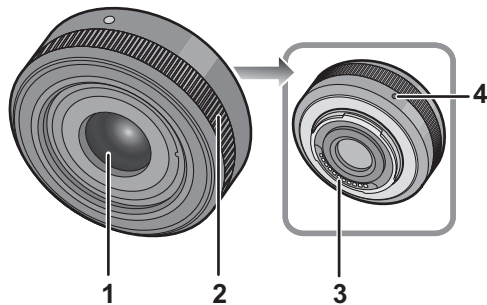
Por si encuentra un cualquier problema, antes de usar el producto llame a su comerciante.

Los números de producto se aplican desde junio de 2013. Estos pueden estar sujetos a modificaciones.



- 1** Bolsa de almacenamiento del objetivo
- 2** Tapa trasera del objetivo
(La tapa trasera del objetivo y la tapa del objetivo intercambiable al momento de la compra.)
- 3** Tapa del objetivo

Nombres y funciones de los componentes



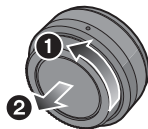
- 1 Superficie del objetivo
- 2 Anillo del enfoque
Ruotare per mettere a fuoco quando si scattano fotografie utilizzando la messa a fuoco manuale.
- 3 Punto de contacto
- 4 Marca para ajustar el objetivo

Este objetivo compacto usa un sistema de accionamiento para conseguir un F1.7 luminoso. Como consecuencia, existe sonido operativo y vibraciones al enfocar, pero no es un funcionamiento defectuoso.

El sonido operativo se graba al utilizar el enfoque automático en la grabación de imágenes en movimiento. Si le molesta el sonido operativo, le recomendamos ajustar el enfoque manual ([MF]) y fijar el enfoque antes de grabar para evitar grabar el ruido del objetivo.

Unir y quitar el objetivo

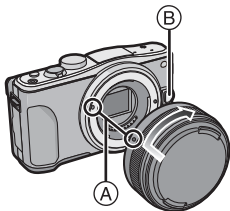
- Se refiere también a las instrucciones de funcionamiento de la cámara para unir y separar el objetivo.
- Compruebe que la cámara esté apagada.
- Saque la tapa trasera de la lente.



■ Unión del objetivo

Alinee las marcas para ajustar el objetivo **(A)** ubicadas en el cuerpo de la cámara y el mismo objetivo, luego gire éste en la dirección de la flecha hasta que **dispare**.

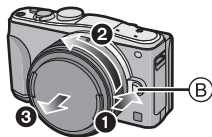
- No presione el botón de liberación de la lente **(B)** cuando coloca una lente.
- Como el soporte del objetivo podría salir rayado, no trate de unir el objetivo a la cámara manteniéndolo de ángulo.
- Compruebe que el objetivo esté unido correctamente.
- Asegúrese de sacar la tapa del objetivo al grabar.



■ Separación del objetivo

Mientras presiona el botón de liberación de la lente **(B)**, gire la lente hacia la flecha hasta que se detenga y luego retírela.

- Una la tapa trasera de manera que el punto de contacto del objetivo no salga rayado.
- Una la tapa del cuerpo a la cámara para que ni suciedad ni polvo entren dentro de la unidad principal.



■ Unión de los filtros

- Puede tener lugar viñeteado si usa 2 o más protectores MC (opcionales:DMW-LMC46), filtros PL (opcionales:DMW-LPL46) o filtros ND (opcionales:DMW-LND46), o bien si usa protectores y/o filtros espesos.
- Tal vez sea imposible de retirar el filtro si está demasiado apretado, por lo que no debe apretarlo demasiado fuerte.
- Se puede colocar la tapa del objetivo con el filtro ya colocado.
- Si tiene problemas para quitar o poner el filtro PL (opcional: DMW-LPL46), le recomendamos encender la cámara digital e intentarlo de nuevo con el modo de enfoque ajustado en “manual” ([MF]).
- No consigue acoplar un objetivo de conversión o adaptador a este objetivo. Puede usarse un filtro, pero acoplar cualquier otro elemento puede dañar el objetivo.

Precauciones para el uso

Tenga cuidado de no hacer caer el objetivo ni le choque contra. Asimismo tenga cuidado de no presionarlo demasiado.

- Tenga cuidado de no hacer caer la bolsa en la que cabe el objetivo. Éste podría dañarse, la cámara podría dejar de funcionar normalmente y las imágenes ya podrían no grabarse.

Cuando usa pesticidas y otras sustancias volátiles alrededor de la cámara tenga cuidado de que no entre en el objetivo.

- Si dichas sustancias caen en el objetivo, éstas pueden dañarlo o hacer desconchar su barniz.

No transporte la unidad si ésta está todavía unida al cuerpo de la cámara.

- De ninguna manera la unidad debe ser usada o almacenada en uno de los siguientes lugares ya que lo de hacerlo podría perjudicarla o producir un funcionamiento defectuoso.
 - Bajo la luz directa del sol o bien a lo largo de la costa durante el verano
 - En lugares donde haya altas temperaturas o altos niveles de humedad o bien donde sean repentinos los cambios de temperatura y humedad

- En lugares donde haya altas concentraciones de arena, polvo o suciedad
- Donde haya llamas
- Cerca de calefactores, acondicionadores de aire o humidificadores
- Donde el agua puede hacer mojar la unidad
- Donde haya vibraciones
- Dentro de un vehículo
- Se refiera también a las instrucciones de funcionamiento de la cámara digital.
- Cuando no ha de ser usada la unidad por un período prolongado, le recomendamos guardar con un desecante (silicagel). El hecho de no hacerlo podría ocasionar una avería causada por el moho etc. Se recomienda que compruebe el funcionamiento de la unidad antes de usarla.
- No deje el objetivo en contacto con productos de plástico durante largos períodos de tiempo.
- No toque los contactos eléctricos de la unidad. Lo de hacerlo puede causar avería en la unidad.
- No desmonte ni modifique la unidad.

No utilice gasolina, diluyente, alcohol u otros agentes de limpieza parecidos para limpiar la unidad.

- El hecho de usar disolventes puede dañar el objetivo y hacer desconchar su barniz.

- Quite cualquier indicio de polvo o huellas dactilares con un paño blando y seco.
- Use un paño suave y seco para eliminar suciedad y polvo de la anilla de enfoque.
- No use detergentes para cocina o un paño tratado químicamente.

Búsqueda de averías

Se oye un sonido cuando se enciende o se apaga la cámara.

Se escucha un sonido desde la lente al tomar la imagen de un sujeto brillante como en exteriores.

- Éste es el sonido del objetivo o el movimiento de abertura y no es un funcionamiento defectuoso.

Especificaciones

Las especificaciones están sujetas a cambio sin previo aviso.

ÓPTICA INTERCAMBIABLE PARA CÁMARA DIGITAL “LUMIX G 20 mm/F1.7 II ASPH.”

Longitud focal	f=20 mm (Igual a una cámara de película de 35 mm: 40 mm)
Tipo de abertura	7 aspas de diafragma/Diafragma de apertura circular
Gama de abertura	F1.7
Valor de abertura mínimo	F16
Estructura del objetivo	7 elementos en 5 grupos (2 objetivos esféricos)
En la distancia del enfoque	0,2 m a ∞ (desde la línea de referencia de la distancia del enfoque)
Máxima ampliación de la imagen	0,13 \times (Igual a una cámara de película de 35 mm: 0,25 \times)
Estabilizador óptico de la imagen	No disponible
Soporte	“Micro Four Thirds Mount”
Ángulo visual	57°
Diámetro del filtro	46 mm
Diámetro máx.	Aprox. 63 mm
Longitud total	Aprox. 25,5 mm (desde la punta del objetivo hasta la base lateral de la montura del objetivo)
Peso	Aprox. 87 g

- Cuando usa el objetivo con una cámara digital LUMIX, no puede ajustar a [AFC]/[AFF] en el modo de enfoque o [C:AF] en [PRE AF]. (Desde junio de 2013) (Los modos de enfoque disponibles pueden variar según la cámara)

Indice

Informazioni per la sua sicurezza	42
Prevenzione guasti	45
Accessori in dotazione.....	46
Nomi e funzioni dei componenti.....	47
Installazione/Rimozione dell'obiettivo	47
Precauzioni per l'uso	49
Ricerca guasti	50
Specifiche	51

Informazioni per la sua sicurezza

Tenere l'unità il più possibile lontana da apparecchi elettromagnetici (come forni a microonde, TV, videogiochi, radiotrasmittenti, linee dell'alta tensione, ecc.).

- Non utilizzare la fotocamera vicino a telefoni cellulari, perché ciò può causare disturbi che influenzano negativamente immagini e suoni.

- Se il funzionamento della fotocamera digitale è disturbato da apparecchi elettromagnetici, spegnere la fotocamera e rimuovere la batteria e/ o l'adattatore CA collegato. Quindi inserire nuovamente la batteria e/o ricollegare l'adattatore CA. Infine, riaccendere la fotocamera.

L'obiettivo può essere utilizzato con una fotocamera digitale dotata di un supporto dell'obiettivo compatibile con lo standard "Micro Four Thirds™ System".

- Non montabile su una fotocamera con specifiche sul supporto Four Thirds™.
- Le illustrazioni della fotocamera digitale presenti in queste istruzioni operative mostrano il modello DMC-GF6 come esempio.
- L'aspetto e le specifiche dei prodotti descritti in questo manuale possono differire da quelli dei prodotti acquistati a causa di miglioramenti introdotti in tempi successivi alla stampa del manuale.
- Micro Four Thirds™ e il logo Micro Four Thirds sono marchi o marchi registrati di Olympus Imaging Corporation, in Giappone, negli Stati Uniti, nell'Unione Europea e in altri paesi.

- Four Thirds™ e il logo Four Thirds sono marchi o marchi registrati di Olympus Imaging Corporation, in Giappone, negli Stati Uniti, nell'Unione Europea e in altri paesi.
- G MICRO SYSTEM è un sistema di fotocamera digitale LUMIX del tipo a più obiettivi basato sullo standard Micro Four Thirds System.
- Gli altri nomi di sistemi o prodotti menzionati nelle presenti istruzioni sono generalmente marchi registrati o marchi depositati dei produttori che hanno sviluppato detti sistemi o prodotti.

-Se vedete questo simbolo-

Smaltimento di vecchie apparecchiature

Solo per Unione Europea e Nazioni con sistemi di raccolta e smaltimento



Questo simbolo sui prodotti, sull'imballaggio e/o sulle documentazioni o manuali accompagnanti i prodotti indica che i prodotti elettrici, elettronici non devono essere buttati nei rifiuti domestici generici.

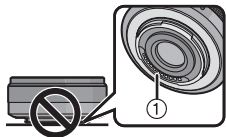
Per un trattamento adeguato, recupero e riciclaggio di vecchi prodotti vi invitiamo a portarli negli appositi punti di raccolta secondo la legislazione vigente nel vostro paese. Con uno smaltimento corretto, contribuirete a salvare importanti risorse e ad evitare i potenziali effetti negativi sulla salute umana e sull'ambiente.

Per ulteriori informazioni su raccolta e riciclaggio, vi invitiamo a contattare il vostro comune.

Lo smaltimento non corretto di questi rifiuti potrebbe comportare sanzioni in accordo con la legislazione nazionale.

■ Custodia dell'obiettivo

- **Sabbia e polvere possono danneggiare l'obiettivo. Evitare che sabbia o polvere penetrino all'interno dell'obiettivo o dei terminali quando si utilizza l'obiettivo su una spiaggia, ecc.**
- **Questo obiettivo non è impermeabile. Se delle gocce d'acqua dovessero cadere sull'obiettivo, pulirlo con un panno asciutto.**
- Non premere con troppa forza l'obiettivo.
- Quando la superficie della lente è sporca (acqua, olio, impronte, ecc.), l'immagine può risultare deteriorata. Pulire leggermente la superficie della lente con un panno asciutto e morbido prima e dopo aver ripreso delle immagini.
- Non tenere il supporto dell'obiettivo rivolto verso il basso. Evitare che i Contatti del supporto dell'obiettivo ① si sporchino.



■ Informazioni sulla condensa (Appannamento dell'obiettivo)

- La condensa si forma quando si verificano differenze di temperatura e umidità come quelle descritte sotto. La condensa può causare l'appannamento dell'obiettivo e portare alla formazione di muffe e a malfunzionamenti, per cui è necessario fare attenzione nelle seguenti situazioni:
 - Quando si porta la fotocamera da un ambiente esterno freddo a uno interno
 - Quando si porta la fotocamera in un'auto con il condizionatore in funzione
 - Quando l'aria fredda di un condizionatore colpisce direttamente l'obiettivo
 - In luoghi umidi
- Per evitare la formazione di condensa, inserire la fotocamera in una busta di plastica per consentirle di adattarsi alla temperatura circostante. Se si forma della condensa, spegnere la fotocamera e non toccarla per un paio d'ore. Una volta che la temperatura della fotocamera ritorna ai valori dell'ambiente circostante l'appannamento scomparirà naturalmente.

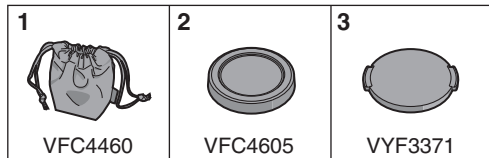
Accessori in dotazione

[Controlli da effettuare quando si disimballa l'unità]

Quando si estrae il flash dalla confezione, controllare che siano presenti l'unità principale e gli accessori in dotazione. Controllarne inoltre l'aspetto esterno e il funzionamento, per verificare che non abbiano subito danni durante la distribuzione e il trasporto.

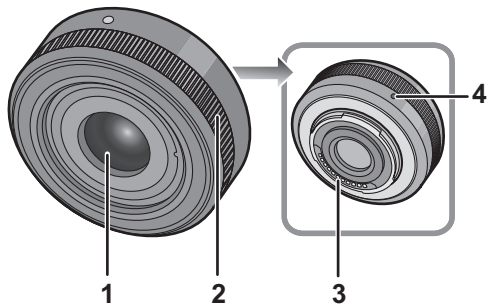
Se si riscontra qualche problema, contattare il rivenditore prima di utilizzare il prodotto.

I numeri dei prodotti sono aggiornati a giugno 2013. È possibile che subiscano delle modifiche.



- 1 Sacca portaobiettivo
- 2 Copriobiettivo posteriore
(Il copriobiettivo posteriore e il copriobiettivo sono installati sull'obiettivo intercambiabile al momento dell'acquisto.)
- 3 Copriobiettivo

Nomi e funzioni dei componenti



- 1 Superficie dell'obiettivo
- 2 Ghiera di messa a fuoco
Ruotare per mettere a fuoco quando si scattano fotografie utilizzando la messa a fuoco manuale.
- 3 Punto di contatto
- 4 Segno per l'installazione dell'obiettivo

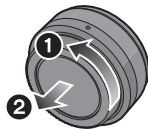
Questo obiettivo F1.7, compatto e luminoso, usa un sistema interno di movimentazione.

Di conseguenza, durante la messa a fuoco possono verificarsi rumori e vibrazioni, ma ciò non rappresenta un malfunzionamento.

Durante la ripresa di immagini in movimento, i rumori dovuti alla messa a fuoco automatica vengono registrati. Se questi diventano fastidiosi, raccomandiamo di impostare la modalità di messa a fuoco manuale ([MF]) e di mettere a fuoco prima della registrazione per evitare che il rumore della lente venga registrato.

Installazione/Rimozione dell'obiettivo

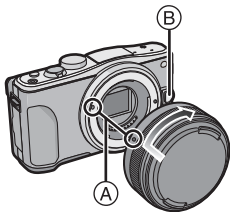
- Consultare anche le istruzioni per l'uso della fotocamera per informazioni sulla procedura di installazione e disinstallazione della fotocamera.
- Controllare che la fotocamera sia spenta.
- Rimuovere il copriobiettivo posteriore dall'obiettivo.



■ Installazione dell'obiettivo

Allineare i segni per l'installazione dell'obiettivo (A) sul corpo della fotocamera e sull'obiettivo, quindi ruotare l'obiettivo nella direzione indicata dalla freccia finché non scatta.

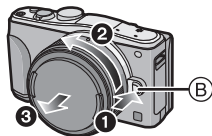
- Non premere il pulsante di sgancio dell'obiettivo (B) quando si installa un obiettivo.
- Non tentare di installare l'obiettivo tenendolo diagonalmente rispetto al corpo della fotocamera, per evitare di graffiare il supporto dell'obiettivo.
- Controllare che l'obiettivo sia installato correttamente.
- Ricordarsi di rimuovere il copriobiettivo quando si registra.



■ Disinstallazione dell'obiettivo

Tenendo premuto il pulsante di sblocco dell'obiettivo (B), ruotare l'obiettivo nella direzione indicata dalla freccia finché non si arresta, quindi rimuoverlo.

- Installare il copriobiettivo posteriore per evitare di graffiare il punto di contatto.
- Installare il copriobiettivo posteriore sulla fotocamera per evitare che sporcizia o polvere penetrino all'interno dell'unità principale.



■ Installazione dei filtri

- È possibile che si verifichi un effetto vignetta se si utilizzano 2 o più protezioni MC (opzionali: DMW-LMC46), filtri PL (opzionali:DMW-LPL46) o filtri ND (opzionali:DMW-LND46), oppure se si utilizzano protezioni e/o filtri spessi.
- Se il filtro viene stretto eccessivamente, può diventare impossibile rimuoverlo. Evitare quindi di stringerlo troppo.
- È possibile installare il copriobiettivo con il filtro già installato.
- In caso di problemi di installazione o rimozione del filtro PL (opzionale:DMW-LPL46), raccomandiamo di accendere la fotocamera digitale e riprovare impostando la modalità di messa a fuoco su "manuale" ([MF]).
- Su questo obiettivo non è possibile installare una lente o adattatore di conversione. È possibile utilizzare un filtro, ma collegare qualsiasi altro elemento può danneggiare l'obiettivo.

Precauzioni per l'uso

Fare attenzione a non lasciar cadere o a non urtare l'obiettivo. Evitare inoltre di esercitare una forte pressione sull'obiettivo.

- Fare attenzione a non far cadere la custodia in cui è stato inserito l'obiettivo in quanto questo può danneggiarsi. La fotocamera può smettere di funzionare e potrebbe non essere più possibile registrare delle immagini.

Quando si utilizzano pesticidi e altre sostanze volatili nelle vicinanze della fotocamera fare attenzione che non vengano a contatto con l'obiettivo.

- Se tali sostanze vengono a contatto con l'obiettivo possono danneggiarlo o provocare il distacco di vernice.

Non lasciare l'unità installata sulla fotocamera mentre la si trasporta.

- Non utilizzare e non lasciare mai l'unità nelle seguenti condizioni, per evitare problemi di funzionamento.
 - Esposta alla luce del sole, o in spiaggia d'estate
 - Temperatura e umidità elevate o soggette a grossi sbalzi
 - Elevate concentrazioni di sabbia, polvere o sporco
 - Dove sono presenti fiamme
 - Vicino a caloriferi, condizionatori o umidificatori
 - Dove l'unità può venire a contatto con l'acqua
 - Dove sono presenti vibrazioni
 - All'interno di un'auto
- Vedere anche le istruzioni per l'uso della fotocamera digitale.
- Quando si prevede di non utilizzare l'unità per un periodo prolungato, si consiglia di porvi accanto un dissecante (silica gel). In caso contrario potrebbero verificarsi dei malfunzionamenti dovuti alla presenza di muffe ecc. Si consiglia di controllare il funzionamento dell'unità prima dell'uso.
- Non lasciare l'obiettivo a contatto per lungo tempo con prodotti in gomma o in plastica.

- Non toccare i contatti elettrici dell'unità. In caso contrario l'unità può guastarsi.
- Non smontare o alterare l'unità.

Non utilizzare benzina, diluenti, alcol o prodotti simili per pulire l'unità.

- L'utilizzo di solventi può danneggiare l'obiettivo o provocare il distacco di vernice.
- Rimuovere la polvere o le impronte digitali eventualmente presenti con un panno morbido e asciutto.
- Usare un panno asciutto per rimuovere lo sporco e la polvere dalla ghiera della messa a fuoco.
- Non utilizzare un detergente da cucina o un panno chimico.

Ricerca guasti

Quando la fotocamera viene accesa o spenta, si sente un suono.

Quando si riprende un soggetto fortemente illuminato (ad esempio all'aperto) si sente un suono proveniente dall'obiettivo.

- È il suono provocato dal movimento dell'obiettivo o dell'apertura, e non si tratta di un malfunzionamento.

Specifiche

È possibile che le specifiche subiscano delle modifiche senza preavviso.

LENTI INTERCAMBIABILI PER FOTOCAMERA DIGITALE “LUMIX G 20 mm/F1.7 II ASPH.”

Lunghezza focale	f=20 mm (equivalente per fotocamera con pellicola da 35 mm: 40 mm)
Tipo di apertura	7 lamelle diaframma/diaframma con apertura circolare
Gamma dell'apertura	F1.7
Valore minimo dell'apertura	F16
Costruzione dell'obiettivo	7 elementi in 5 gruppi (2 lenti sferiche)
Distanza di messa a fuoco	0,2 m a ∞ (dalla riga di riferimento della distanza di messa a fuoco)
Ingrandimento massimo dell'immagine	0,13× (equivalente per fotocamera con pellicola da 35 mm: 0,25×)
Stabilizzatore ottico di immagine	Non disponibile
Supporto	“Micro Four Thirds Mount”
Profondità di campo	57°
Diametro del filtro	46 mm
Diametro massimo	Circa 63 mm
Lunghezza complessiva	Circa 25,5 mm (dall'estremità dell'obiettivo alla base del supporto dell'obiettivo)
Massa	Circa 87 g

- Quando si usa l'obiettivo con una fotocamera digitale LUMIX, non è possibile impostare [AFC]/[AFF] in modalità messa a fuoco o [C_{AF}] in [AF PREL.]. (Informazione aggiornata a giugno 2013) (Le modalità di messa a fuoco possono variare a seconda della fotocamera)

目錄

安全注意事項	52
故障預防	54
提供的附件	55
元件的名稱及功能	56
安裝 / 取下鏡頭	56
使用時的注意事項	59
故障排除	59
規格	60

安全注意事項

使本產品遠離磁性設備（如微波爐、電視、視訊遊戲設備、無線電發射機、高壓線等）。

- 請勿在移動電話附近使用相機，否則會影響圖片和聲音質量。
- 如果相機由於受帶磁設備影響而不能正常工作，請先將其關閉，取出電池和 / 或斷開連接的 AC 整流器，然後重新插入電池和 / 或連接 AC 整流器。隨後，開啓相機。

此鏡頭可用於與鏡頭座標準

“Micro Four Thirds™ System” 兼容的數位相機。

- 無法安裝到 4/3™ (Four Thirds™) 接口規格的相機上。
- 本使用說明書中的數位相機圖例以 DMC-GF6 爲例進行說明。
- 由於產品的不斷改進，本說明書中所描述的產品外觀和規格可能與實際所購買的產品有所不同。
- Micro Four Thirds™ 和 Micro Four Thirds 標誌是 Olympus Imaging Corporation 在日本、美國、歐盟和其他國家的商標或註冊商標。
- Four Thirds™ 和 Four Thirds 標誌是 Olympus Imaging Corporation 在日本、美國、歐盟和其他國家的商標或註冊商標。

- G MICRO SYSTEM 是 LUMIX 的鏡頭互換式數位相機系統，基於微型 4/3 系統 (Micro Four Thirds System) 標準。
- 本說明書中提到的其他公司名稱和產品名稱是各個公司的註冊商標或商標。

- 如果看到此符號的話 -

歐盟以外國家的棄置資訊

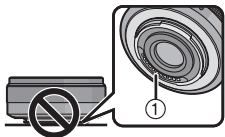


本符號只適用於歐盟國家。
如欲丟棄本產品，請聯絡當地政府單位或經銷商，洽詢正確的棄置方法。

進口廠商：台松電器販賣股份有限公司
地址：新北市中和區員山路 579 號
電話：(02)2223-5121

■ 鏡頭保養

- 沙子及塵土會損壞鏡頭。在沙灘等地方使用鏡頭時，請勿讓沙子或塵土進入到鏡頭或端子中。
- 此鏡頭不防水。如果水滴濺到鏡頭上，請用乾布擦拭鏡頭。
- 請勿用力按壓鏡頭。
- 當鏡頭表面有污垢（水、油和手印等）時，相片可能會受到影響。拍攝前後，請用一塊軟乾布輕輕擦拭鏡頭表面。
- 請勿將鏡頭支座朝下放置。請勿使鏡頭支座接觸點①變髒。



■ 關於水汽凝結（鏡頭的霧化）

- 當周圍環境溫度和濕度如下變化時，會發生水汽凝結。水汽凝結可能會使鏡頭變髒，產生霉菌及發生故障，因此在下列情況時請注意：
 - 在寒冷的天氣裡將相機從室外帶到室內時
 - 將相機帶到開著空調的車內時
 - 空調等設備的冷風直接吹向鏡頭時
 - 在潮濕的地方
- 要防止水汽凝結，請將相機放在塑膠袋中，直到相機溫度接近周圍環境溫度。如果發生了水汽凝結，請關閉電源，然後將其擱置約 2 小時。當相機溫度接近周圍環境溫度時，霧化將自然消失。

提供的附件

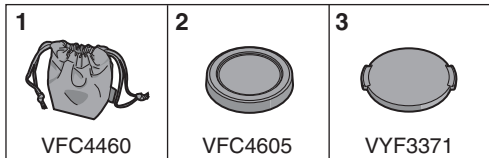
【請在打開包裝取出本裝置時進行檢查】

當從其包裝盒中取出本裝置時，請檢查是否包含主機及其提供的附件，還要檢查它們的外觀和功能，以確保它們在配送和運輸過程中沒有損壞。

如果發現有問題，請在使用本產品前連繫您的銷售商。

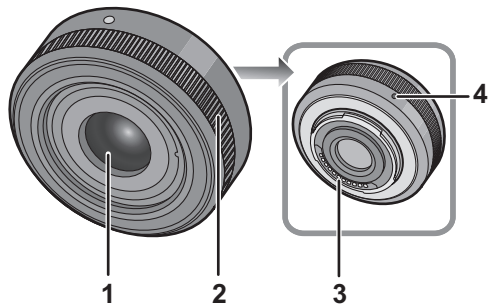
產品號碼截至 2013 年 6 月為準。

此後可能會有變更。



- 1 鏡頭儲藏袋
- 2 鏡頭後蓋
(購買時，鏡頭後蓋和鏡頭蓋安在可互換鏡頭上。)
- 3 鏡頭蓋

元件的名稱及功能



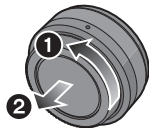
- 1 鏡頭表面
- 2 對焦環
用手動對焦拍攝時，轉動進行對焦。
- 3 接觸點
- 4 鏡頭安裝標記

本鏡頭採用爲了實現緊湊且明亮的 F1.7 的鏡頭驅動方式。由於該原因，在對焦過程中會有工作音和震動，但這並非故障。

在動態影像錄製過程中進行自動對焦時，會錄製上工作音。如果您介意工作音，建議設定爲手動對焦 ([MF]) 並固定焦點進行拍攝，以免錄製上鏡頭雜音。

安裝 / 取下鏡頭

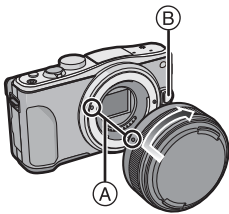
- 安裝及取下鏡頭的方法也請參閱相機的使用說明書。
- 檢查相機是否關閉。
- 從鏡頭上取下鏡頭後蓋。



■ 安裝鏡頭

將鏡頭上的鏡頭安裝標記 (A) 對準相機機身上的鏡頭安裝標記，然後朝箭頭指示的方向轉動鏡頭，直到發出喀噠聲為止。

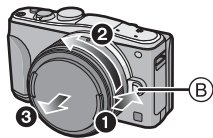
- 安裝鏡頭時，請勿按鏡頭釋放按鈕 (B)。
- 請勿將鏡頭以傾斜的狀態安裝到相機上，否則，鏡頭接座會被劃傷。
- 檢查鏡頭是否安裝正確。
- 拍攝時，請務必取下鏡頭蓋。



■ 取下鏡頭

按鏡頭釋放按鈕 (B) 的同時，朝箭頭指示的方向轉動鏡頭直到停止為止，然後取下。

- 請蓋上鏡頭後蓋，這樣就不會劃傷鏡頭支座觸點。
- 將機身蓋安裝到相機上，以防止污物或灰塵進入機身內部。



■ 安裝濾鏡

- 如果使用 2 個以上的 MC 保護鏡（另購件：DMW-LMC46）、PL 偏光鏡（另購件：DMW-LPL46）或 ND 濾鏡（另購件：DMW-LND46），或者使用厚的保護鏡和 / 或濾鏡，則可能會出現暈影。
- 如果擰得過緊，可能無法取下濾鏡。因此，請不要太用力地擰它。
- 安裝了濾鏡時，可以安裝鏡頭蓋。
- 如果在安裝或取下 PL 偏光鏡（另購件：DMW-LPL46）時出現了問題，建議開啓數位相機並在對焦模式設定爲“手動對焦”([MF]) 的情況下再試一次。
- 不能將轉換鏡頭或轉接器安裝到該鏡頭上。可以使用濾鏡，但安裝其他任何元件可能會對鏡頭造成損壞。

使用時的注意事項

請務必小心，切勿跌落或撞擊鏡頭。還要務必小心，切勿在鏡頭上施加過多壓力。

- 請注意不要讓裝有鏡頭的包跌落，因為這樣可能會損壞鏡頭。相機可能會停止正常操作，可能無法繼續拍攝圖片。

在相機周圍使用殺蟲劑或其他揮發性的物質時，請勿使其接觸到鏡頭。

- 如果此類化學藥品接觸到鏡頭，可能會損壞鏡頭，表面漆可能也會剝落。

請勿在本裝置還安裝在相機機身時攜帶本裝置。

- 任何情況下都不要以下列地方使用或存放本裝置，因為這樣做可能導致操作時出現問題或產生故障。
 - 太陽直射的地方或夏天的海邊
 - 溫度和濕度較高或者溫度和濕度變化劇烈的地方
 - 沙子、灰塵或污垢比較集中的地方
 - 有火的地方
 - 靠近加熱器、空調或加濕器的地方
 - 水可能打濕本裝置的地方
 - 受到震動的地方
 - 車內
- 也請參閱數位相機的使用說明書。

- 準備長時間不使用本裝置時，建議在存放時放入一些乾燥劑（矽膠）。否則，可能會由於發霉等原因而導致性能出現故障。建議在使用前檢查本裝置是否能夠正常運行。
- 請勿讓鏡頭與橡膠或塑料製品長時間接觸。
- 請勿觸摸本裝置的電觸點。這樣做可能會導致本裝置發生故障。
- 請勿拆卸或改裝本裝置。

請勿使用汽油、稀釋劑、酒精或其他類似的清潔劑清潔本裝置。

- 使用溶劑會損壞鏡頭或導致表面漆剝落。
- 請用一塊乾軟布擦去灰塵或手印。
- 請用乾的除塵布擦去對焦環上的污垢和灰塵。
- 請勿使用廚房清潔劑或經化學方法處理過的抹布。

故障排除

當相機開啓或關閉時聽到機械音。

在室外等拍攝明亮的被攝物體時聽到鏡頭發出聲音。

- 這是鏡頭或光圈運動的聲音，不是故障。

規格

規格如有變更，恕不另行通知。

數位相機用可替換鏡頭 “LUMIX G 20 mm/F1.7 II ASPH.”

焦距	f=20 mm (相當於 35 mm 菲林相機: 40 mm)
光圈類型	7 片控光片 / 圓形虹膜光圈
光圈範圍	F1.7
最小光圈值	F16
鏡頭結構	7 件 5 組 (2 片非球面鏡片)
In focus (焦點對準) 距離	0.2 m 至 ∞ (從焦距參考線)
最大影像放大率	0.13 \times (相當於 35 mm 菲林相機: 0.25 \times)
光學影像穩定器	不可用
裝配	“Micro Four Thirds 接口”
視角	57°
濾鏡直徑	46 mm
最大直徑	約 63 mm
全長	約 25.5 mm (從鏡頭的頂端到鏡頭接口的基準面)
重量	約 87 g

- 將本鏡頭與 LUMIX 數位相機一起使用時，無法設定為對焦模式的 [AFC]/[AFF] 或 [PRE AF] 的 [C-AF]。
(截至 2013 年 6 月) (可用的對焦模式可能會根據相機變化)

Содержание

Информация для вашей безопасности	61
Правила эксплуатации	63
Принадлежности, входящие в комплект	64
Названия и функции составных частей	65
Установка/Снятие объектива	65
Предосторожности при использовании фотокамеры	68
Устранение неисправностей	69
Технические характеристики	70

Информация для вашей безопасности

Храните прибор вдали от источников электромагнитного излучения (например, микроволновых печей, телевизоров, оборудования для видеоигр, радиопередатчиков, высоковольтных линий и т.д.).

- Не пользуйтесь фотокамерой вблизи сотовых телефонов, так как телефоны могут вызвать помехи, отрицательно сказывающиеся на качестве снимков и звука.
- Если камера подвергается негативному влиянию электромагнитного излучения и перестает работать нормально, выключите камеру, извлеките батарею и/или подключенный сетевой адаптер переменного тока. Затем снова вставьте батарею и/или снова подключите сетевой адаптер переменного тока и включите камеру.

Объектив может использоваться с цифровой камерой, совместимой со стандартом крепления объективов “Micro Four Thirds™ System”.

- Не предусмотрена его установка на фотокамеры со спецификацией крепления Four Thirds™.

- На иллюстрациях цифровой камеры в данных инструкциях по эксплуатации в качестве примера показан DMC-GF6.
- Внешний вид и спецификации продуктов, описанные в данном руководстве, могут отличаться от фактических приобретенных продуктов ввиду более поздних улучшений.
- Micro Four Thirds™ и знаки логотипа Micro Four Thirds являются товарными знаками или зарегистрированными товарными знаками Olympus Imaging Corporation в Японии, Соединенных Штатах, Европейском Союзе и других странах.
- Four Thirds™ и знаки логотипа Four Thirds являются товарными знаками или зарегистрированными товарными знаками Olympus Imaging Corporation в Японии, Соединенных Штатах, Европейском Союзе и других странах.
- G MICRO SYSTEM является системой объективов сменного типа для цифровых камер LUMIX, разработанной на основе стандарта Micro Four Thirds System.
- Другие названия систем и продуктов, упомянутые в данной инструкции по эксплуатации, обычно являются зарегистрированными товарными знаками или товарными знаками производителей, которые разработали упомянутую систему или продукт.

-Если Вы увидите такой символ-

Информация по обращению с отходами для стран, не входящих в Европейский Союз

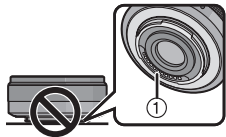


Действие этого символа распространяется только на Европейский Союз.

Если Вы собираетесь выбросить данный продукт, узнайте в местных органах власти или у дилера, как следует поступать с отходами такого типа.

■ Уход за объективом

- Песок и пыль могут привести к повреждению объектива. При использовании объектива на пляже и т.п. убедитесь, что внутри объектива и гнезд нет песка и пыли.
- Данный объектив не является водонепроницаемым. Если на объектив попали капли воды, вытрите объектив сухой тканью.
- Нельзя сильно нажимать на объектив.
- В случае попадания на поверхность объектива грязи (воды, масла, отпечатков пальцев и т. д.) качество снимка может ухудшиться. Следует осторожно вытереть поверхность объектива мягкой сухой тканью перед съемкой.
- Не ставьте объектив монтажной поверхностью вниз. Не допускайте попадание загрязнений на монтажные поверхности ① объектива.



■ О конденсации (Запотевании объектива)

- Конденсация происходит при разнице в температуре и влажности, как описано ниже. Конденсация может привести к загрязнению объектива, появлению плесени и неисправностей, поэтому необходимо соблюдать осторожность в следующих ситуациях:
 - при внесении камеры в помещение с улицы в холодную погоду
 - при внесении камеры в салон автомобиля, где работает кондиционер
 - если поток холодного воздуха из кондиционера направлен прямо на объектив
 - во влажных местах
- Для предотвращения конденсации поместите камеру в пластиковый пакет, чтобы ее температура сравнялась с температурой окружающего воздуха. При возникновении конденсации выключите камеру и оставьте ее примерно на два часа. Когда температура камеры сравняется с температурой окружающего воздуха, запотевание исчезнет естественным образом.

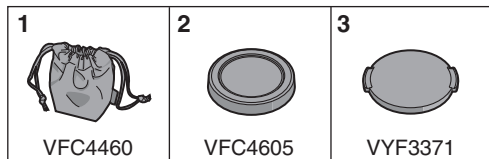
Принадлежности, входящие в комплект

[Комплектность необходимо проверять при распаковке устройства]

При изъятии устройства из оригинальной упаковки проверьте наличие основного устройства и его комплектующих, а также осмотрите устройство снаружи и проверьте его функциональность, чтобы убедиться в отсутствии каких-либо повреждений в результате транспортировки.

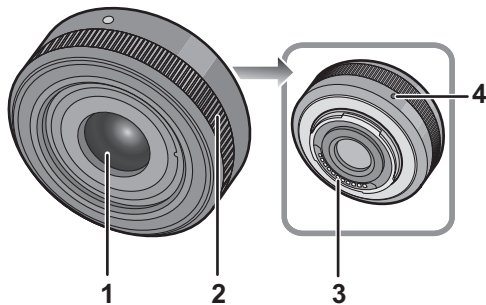
Если вы обнаружите какое-либо несоответствие, свяжитесь с вашим поставщиком, воздержавшись от эксплуатации изделия.

Номера изделий правильны по состоянию на июнь 2013 г. Они могут изменяться.



- 1 Сумка для объектива
- 2 Крышка задней части объектива
(Во время покупки крышка объектива и задняя крышка объектива прикреплены к сменному объективу.)
- 3 Крышка объектива

Названия и функции составных частей

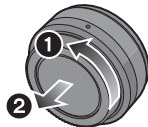


- 1 Поверхность линзы
- 2 Кольцо фокусировки
Вращайте для наведения на резкость при съемке в режиме с ручной наводкой на резкость.
- 3 Метка установки объектива
- 4 Монтажная поверхность

В данном объективе F1.7 используется система привода, обеспечивающая компактность и светосилу. В результате при фокусировке слышны рабочие звуки и вибрации, но это не является неисправностью. При автофокусировке, рабочие звуки записываются во время видеозаписи. Если они беспокоят, рекомендуется установить ручную фокусировку ([MF]) и фиксировать фокусировку перед записью во избежание шума от работы объектива.

Установка/Снятие объектива

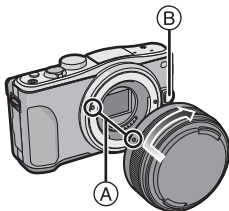
- Информацию об установке и снятии объектива см. также в инструкциях по эксплуатации камеры.
- Убедитесь, что камера выключена.
- Снимите заднюю крышку объектива.



■ Установка объектива

Совместите установочную метку объектива (A) на корпусе фотокамеры с меткой на объективе и затем поверните объектив в направлении стрелки до щелчка.

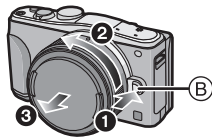
- Не нажимайте кнопку открытия объектива (B) в процессе установки объектива.
- Не пытайтесь установить объектив под углом к корпусу камеры, поскольку это может привести к повреждению крепления объектива.
- Убедитесь, что объектив установлен правильно.
- Обязательно снимите крышку объектива перед записью.



■ Снятие объектива

Удерживая нажатой кнопку (B) проверните объектив до упора в направлении стрелки, а потом снимите.

- Прикрепите заднюю крышку объектива, чтобы избежать царапин монтажной поверхности объектива.
- Прикрепите к камере крышку корпуса во избежание попадания грязи и пыли внутрь основного устройства.



■ Установка фильтров

- Виньетирование может возникать при использовании 2 или более защитных устройств MC (поставляются отдельно: DMW-LMC46), фильтров PL (поставляются отдельно: DMW-LPL46) или фильтров ND (поставляются отдельно: DMW-LND46) либо при использовании толстых защитных устройств и/или фильтров.
- Если фильтр будет чрезмерно затянут, снять его может быть невозможно, поэтому не затягивайте его слишком сильно.
- Крышку объектива можно прикреплять и в том случае, если уже прикреплен фильтр.
- При возникновении проблем с прикреплением или снятием фильтра PL (поставляется отдельно: DMW-LPL46) рекомендуется снова включить камеру, установив ручной ([MF]) режим фокусировки.
- К данному объективу нельзя прикрепить преобразовательный объектив или переходник. Можно использовать фильтр, но прикрепление любого другого элемента может привести к повреждению объектива.

Предосторожности при использовании фотокамеры

Старайтесь не ронять и не ударять объектив. Также старайтесь не подвергать объектив чрезмерному давлению.

- Следите за тем, чтобы не уронить в сумку, в которую вы положили объектив, поскольку это может привести к повреждению объектива. Камера может перестать нормально работать, и дальнейшая запись снимков может оказаться невозможной.

При использовании пестицидов и других летучих веществ вблизи камеры убедитесь, что они не попадают на объектив.

- При попадании на объектив такие вещества могут повредить объектив или привести к отслаиванию краски.

Не носите устройство присоединенным к корпусу фотокамеры.

- Категорически запрещается пользоваться фотовспышкой или хранить ее в следующих условиях, так как это может привести к сбоям в работе или неправильной работе.
 - Под воздействием прямых солнечных лучей или на пляже летом
 - В местностях с высокой влажностью воздуха и высокими температурами, или с резкими перепадами температуры и влажности
 - В местностях с высокими концентрациями песка, пыли или грязи
 - При срабатывании вспышки
 - Возле обогревателей, кондиционеров или увлажнителей
 - Где возможно намокание устройства
 - Где присутствует вибрация
 - В автомобиле
- См. также инструкции по эксплуатации цифровой камеры.

- Если камера не будет использоваться в течение длительного времени, рекомендуется хранить ее вместе с влагопоглотителем (силикагелем). Невыполнение данной рекомендации может привести к нарушению технических характеристик ввиду образования плесени и т. д. Прежде чем использовать, рекомендуется проверять работоспособность устройства после такого длительного хранения.
- Не оставляйте объектив в контакте с резиновыми или пластиковыми продуктами на продолжительный период времени.
- Не прикасайтесь к электрическим контактам устройства. Это может вызвать сбой в его работе.
- Запрещается разбирать или вносить изменения в аппарат.

Не используйте бензин, растворитель, спирт и другие подобные моющие средства для очистки аппарата.

- Использование растворителей может повредить объектив или привести к отслаиванию краски.
- Вытирайте пыль и следы пальцев мягкой сухой тканью.
- Вытирайте грязь и пыль с фокусирующего кольца сухой тканью для удаления пыли.
- Запрещается использовать моющие средства или химически обработанную ткань.

Устранение неисправностей

При включении и выключении камеры слышен звук.

Звук исходит от объектива во время съемки яркого объекта, например на улице.

- Звук возникает в результате движения диафрагмы объектива и не является неисправностью.

Технические характеристики

Технические характеристики могут быть изменены без уведомления.

СМЕННЫЙ ОБЪЕКТИВ ДЛЯ ЦИФРОВОЙ ФОТОКАМЕРЫ “LUMIX G 20 mm/F1.7 II ASPH.”

Фокусное расстояние	f=20 мм (Эквивалент 35 мм пленочной камеры: 40 мм)
Тип диафрагмы	7 лепестки диафрагмы / диафрагма с круглым отверстием
Диапазон диафрагм	F1.7
Минимальное значение показателя диафрагмы	F16
Конструкция объектива	7 элементов в 5 группах (2 асферических линз)
Фокусное расстояние от	от 0,2 м до ∞ (от линии отсчета расстояния до объекта съемки)
Максимальное увеличение изображения	0,13× (Эквивалент 35 мм пленочной камеры: 0,25×)
Оптический стабилизатор изображения	Нет в наличии
Крепление	“Micro Four Thirds Mount”
Угол обзора	57°
Диаметр фильтра	46 мм
Максимальный диаметр	Прибл. 63 мм
Полная длина	Прибл. 25,5 мм (от конца объектива до нижней стороны крепления объектива)
Масса	Прибл. 87 г

- При использовании объектива с цифровой камерой LUMIX нельзя установить [AFC]/[AFF] в режиме фокусировки или [СДФ] в [ПРЕДВ. АФ]. (По состоянию на июнь 2013 г.)
(Доступные режимы фокусировки могут различаться в зависимости от камеры)

Информация для покупателя

Название продукции:	СМЕННЫЙ ОБЪЕКТИВ ДЛЯ ЦИФРОВОЙ ФОТОКАМЕРЫ
Название страны производителя:	Япония
Название производителя:	Панасоник Корпорэйшн
Юридический адрес:	1006 Кадома, Осака, Япония
Импортер:	ООО «Панасоник Рус», РФ, 115191, г. Москва, ул. Большая Тульская, д. 11, 3 этаж. тел. 8-800-200-21-00
Дата производства: Вы можете уточнить год и месяц по серийному номеру на табличке. Пример маркировки—Серийный номер № XX1AXXXXXXX (X-любая цифра или буква) Год: Третья цифра в серийном номере (1—2011, 2—2012, ... 0—2020) Месяц: Четвертая буква в серийном номере (А—Январь, В—Февраль, ...L—Декабрь) Примечание: Сентябрь может указываться как “S” вместо “I”.	
Дополнительная информация:	Пожалуйста внимательно прочитайте инструкцию по эксплуатации.

Установленный производителем в порядке п. 2 ст. 5 федерального закона РФ “О защите прав потребителей” срок службы данного изделия равен 7 годам с даты производства при условии, что изделие используется в строгом соответствии с настоящей инструкцией по эксплуатации и применимыми техническими стандартами.

EU

Manufactured by: Panasonic Corporation Kadoma, Osaka, Japan

Importer: Panasonic Marketing Europe GmbH

Panasonic Testing Centre

Winsbergring 15, 22525 Hamburg, Germany

Panasonic Corporation

Web Site: <http://panasonic.net>

© Panasonic Corporation 2013