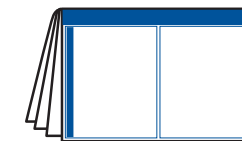
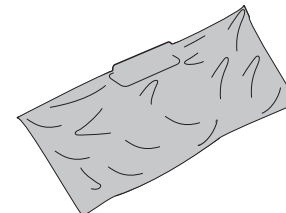
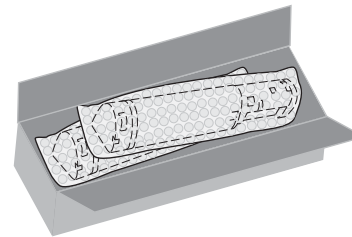
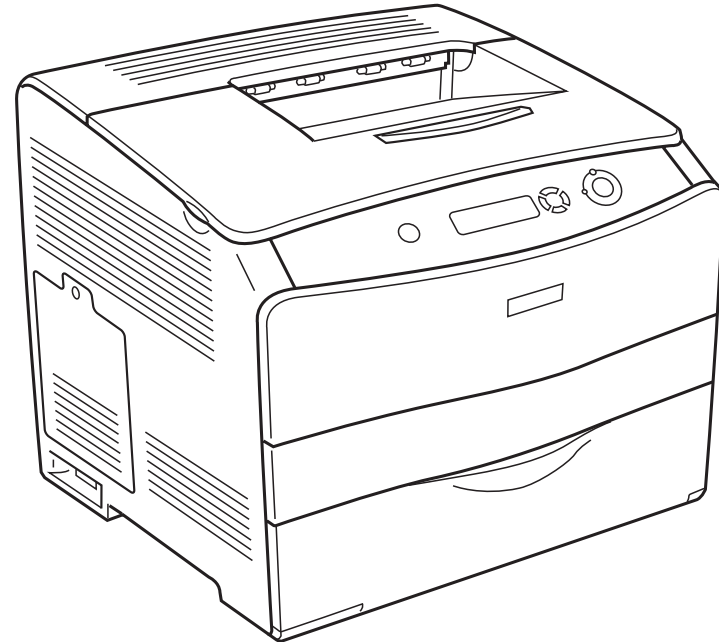


EPSON AcuLaser™ C1100

EN	Setup Guide
DE	Installationshandbuch
FR	Guide d'installation
IT	Guida de installazione
ES	Guía de instalación
CA	Manual d'instal·lació
PT	Manual de instalação
NL	Installatiehandleiding
DA	Installationsvejledning
FI	Asennusopas
NO	Installeringshåndbok
SV	Installationshandbok
CS	Instalační příručka
HU	Üzembe helyezés és újmutató
PL	Podręcznik konfiguracji i instalacji
SK	Inštalácia príručka
BG	Ръководство за инсталация
RO	Ghid de instalare
EE	Seadistusjuhend
LV	Uzstādīšanas instrukcija
LT	Parengties vadovas
EL	Οδηγός εγκατάστασης
TR	Kurulum kılavuzu
SL	Priročnik za namestitev
HR	Vodič za postavu
MK	Упатство за поставување
SR	Uputstvo za postavljanje
RU	Руководство по установке

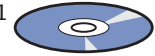
دليل الإعداد
راهنمای تنظیم



Printer Software 1



Printer Software 2



OfficeReady Essentials
EPSON Web-To-Page

AcuLaser™ C1100N

Printer Software 1



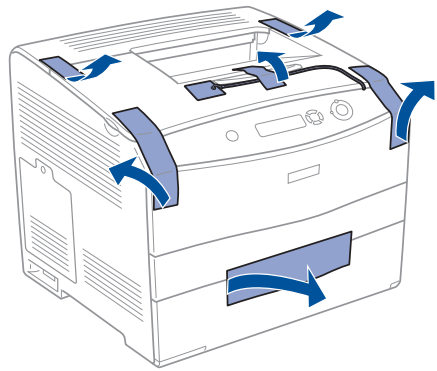
OfficeReady Essentials
EPSON Web-To-Page

Printer Software 2

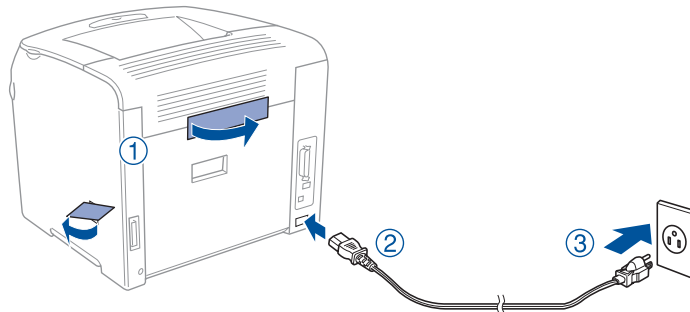


Network Utilities

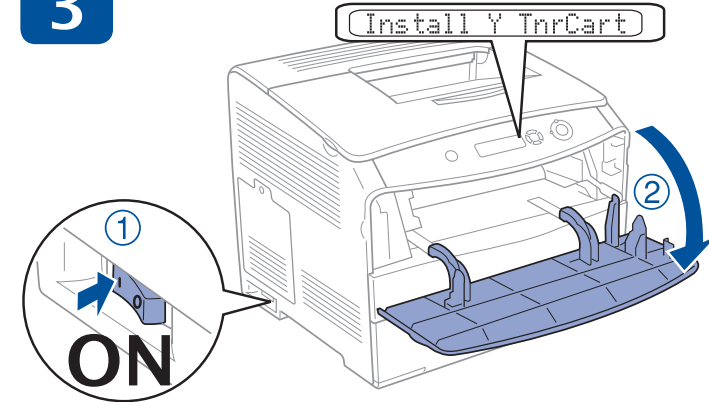
1



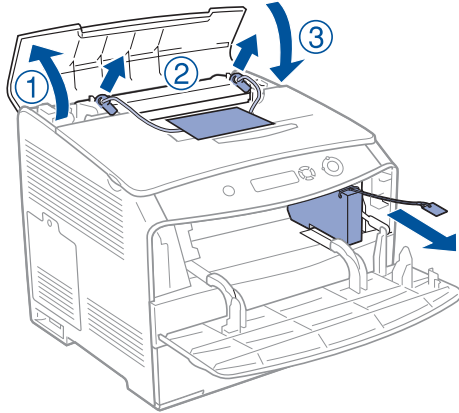
2



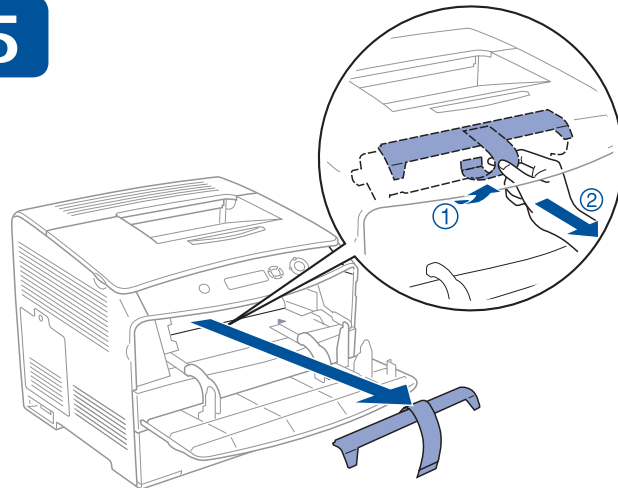
3



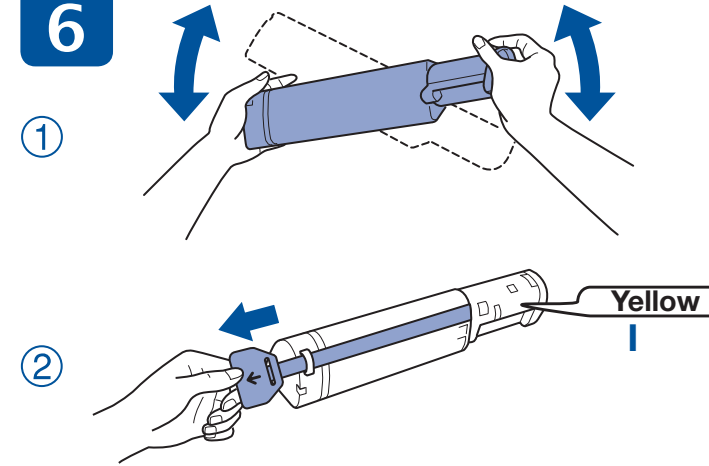
4



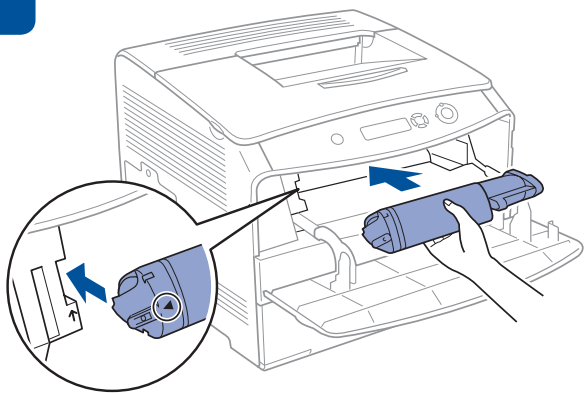
5



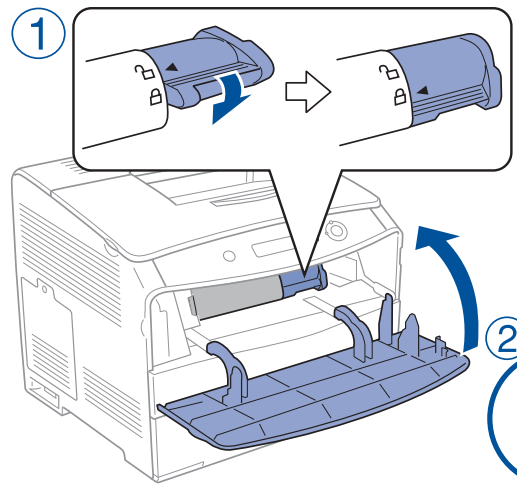
6



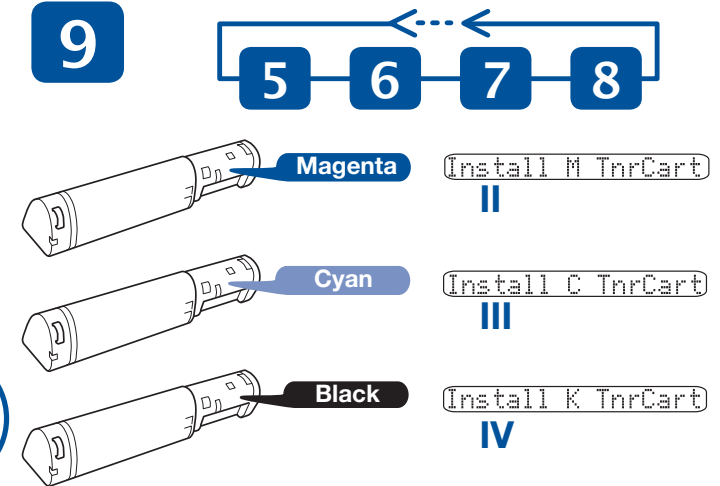
7



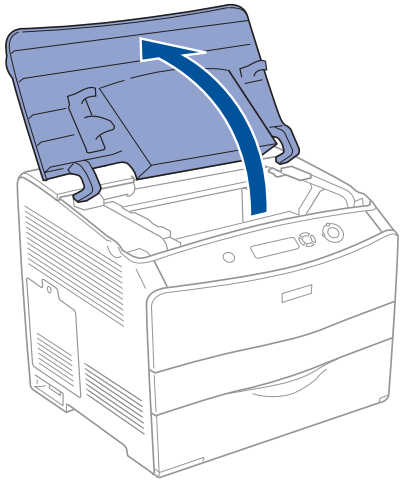
8



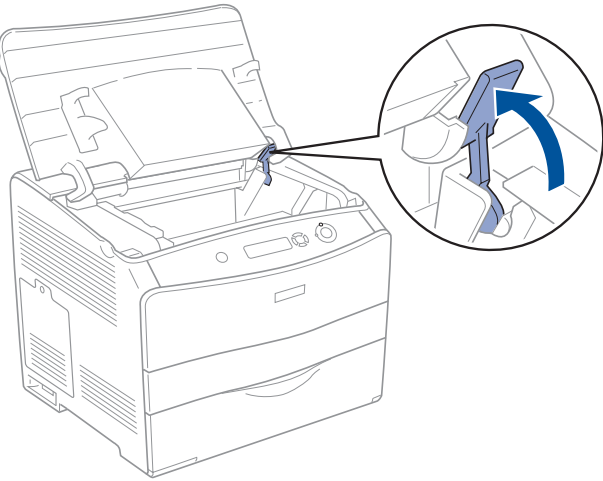
9



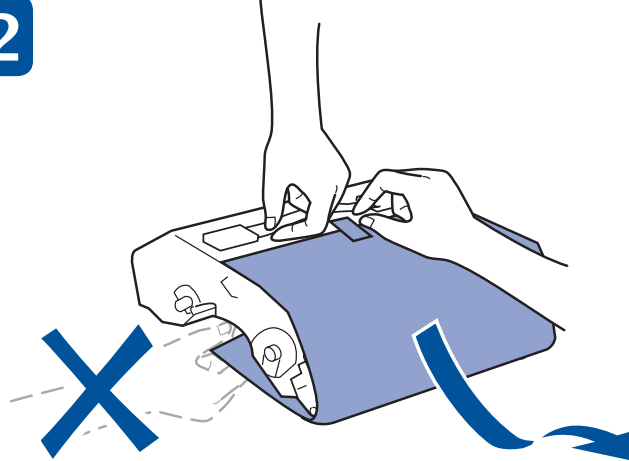
10



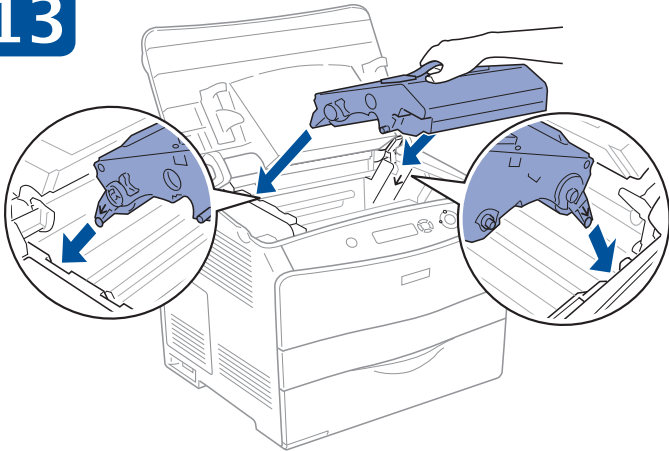
11



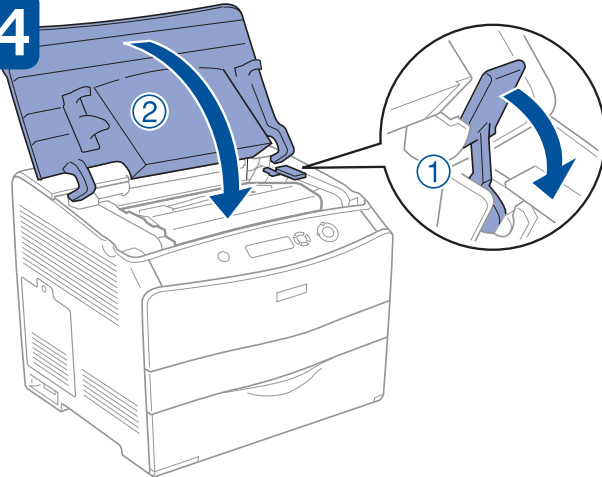
12



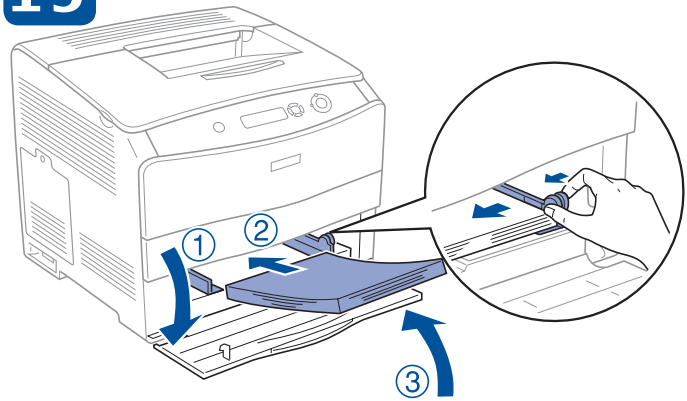
13



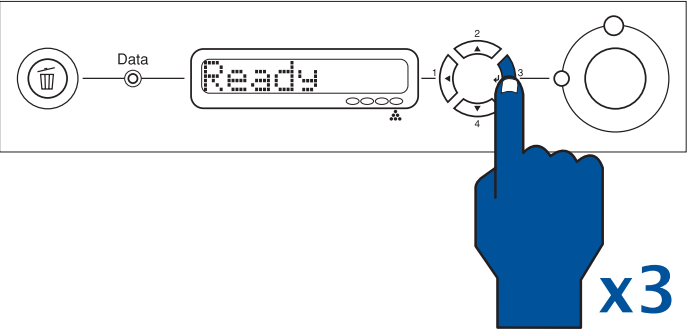
14



15



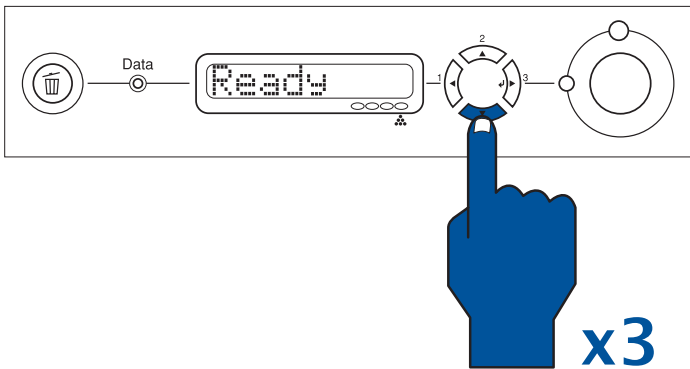
16



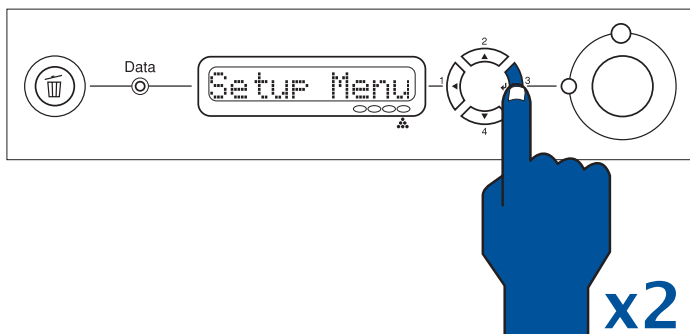
17



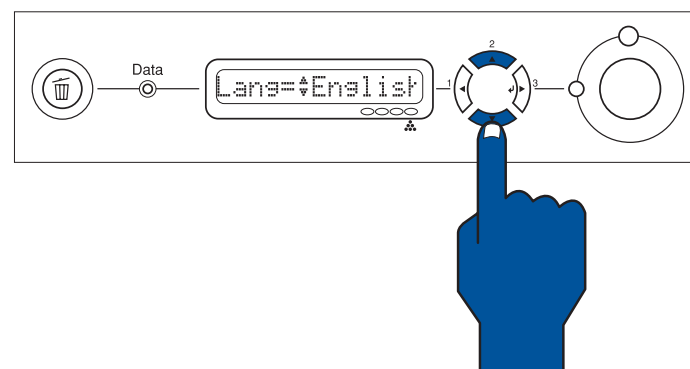
18



19



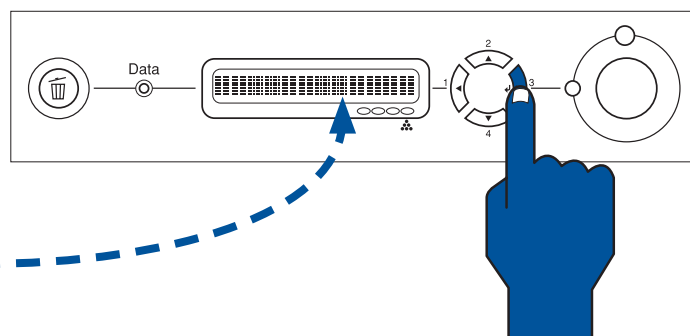
20



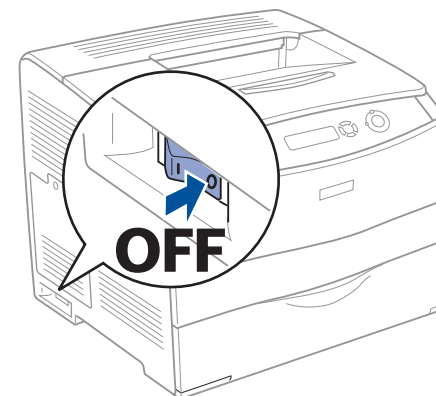
21

English	Svenska
Français	Dansk
Deutsch	Nederl.
Italiano	Suomi
Español	Português

22

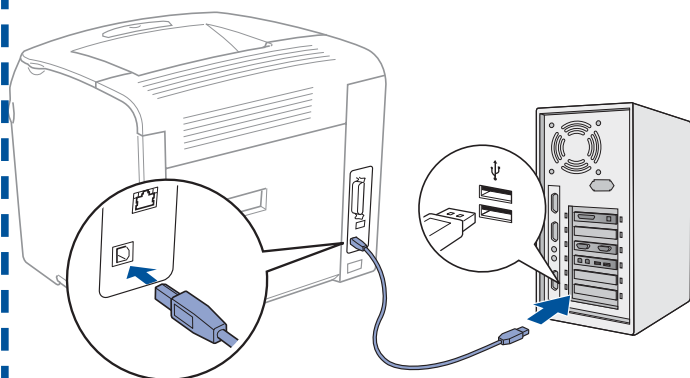


23

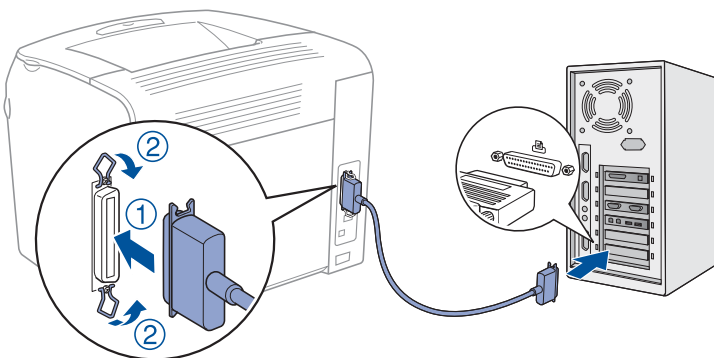


24

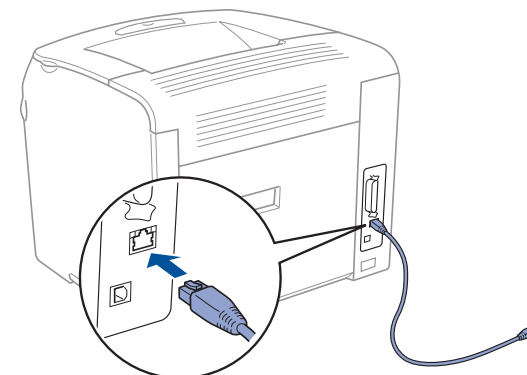
USB 2.0



IEEE 1284

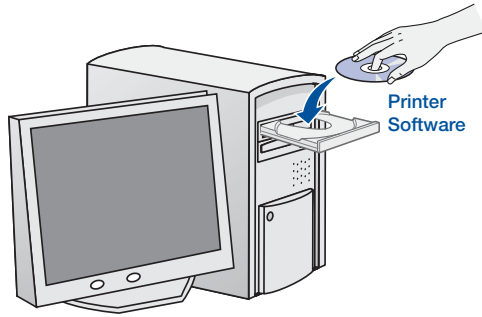


10/100 Base TX (Ethernet)
AcuLaser™ C110N

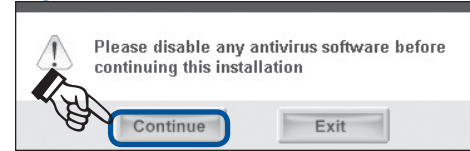


25 Windows

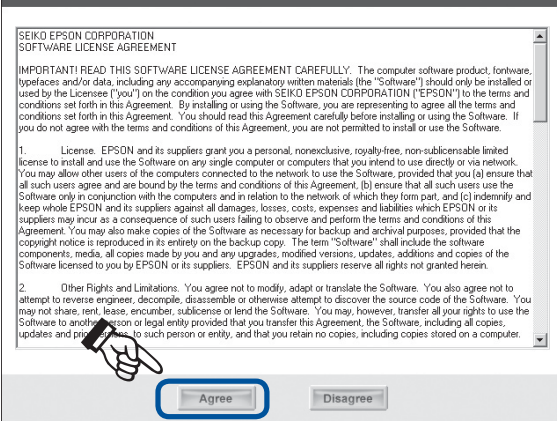
a.



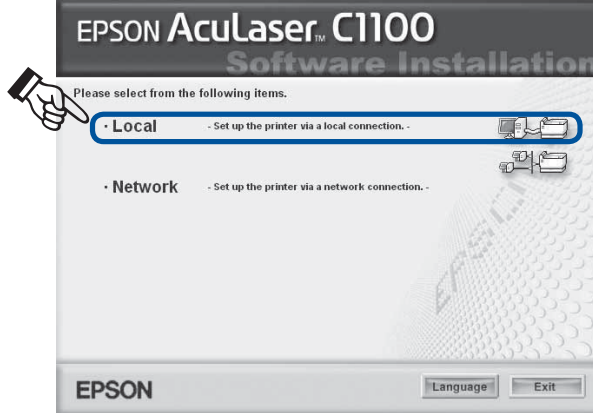
b.



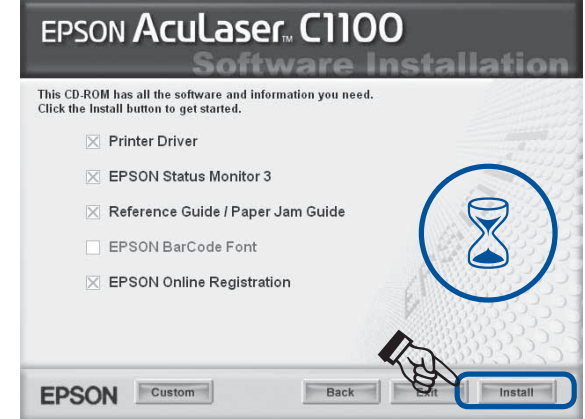
c.



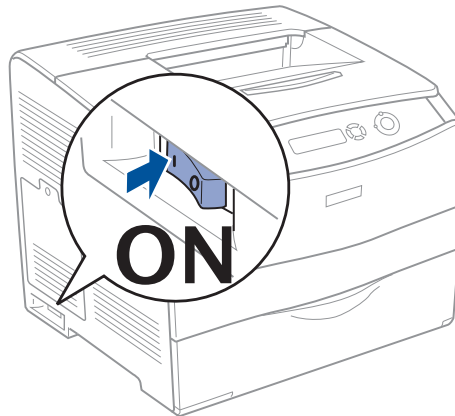
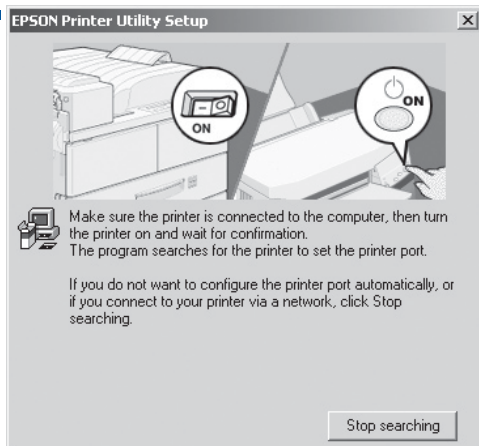
d.



e.



f.

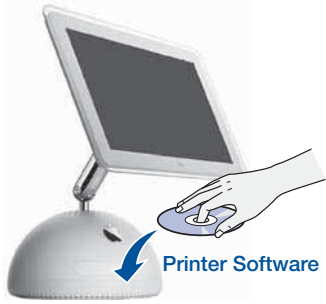


g.



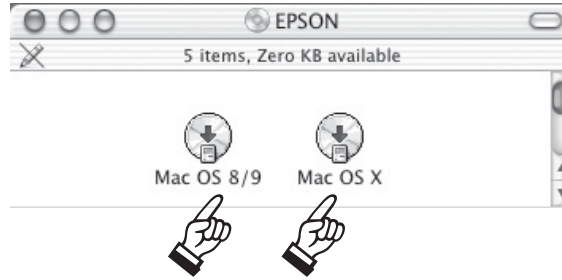
25 Mac OS

a.

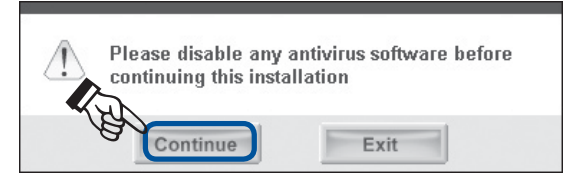


Printer Software

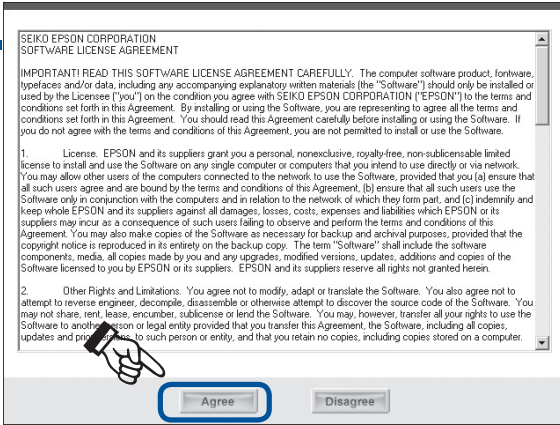
b.



c.



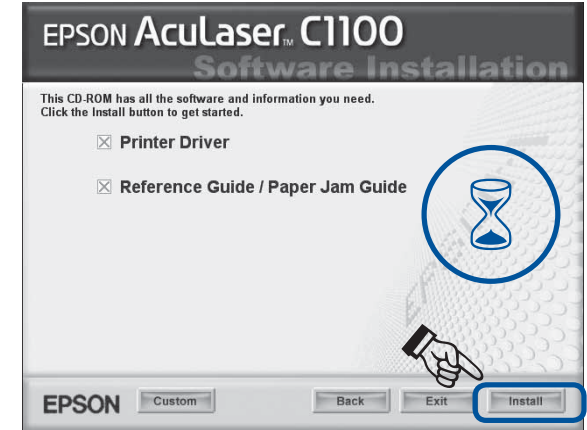
d.



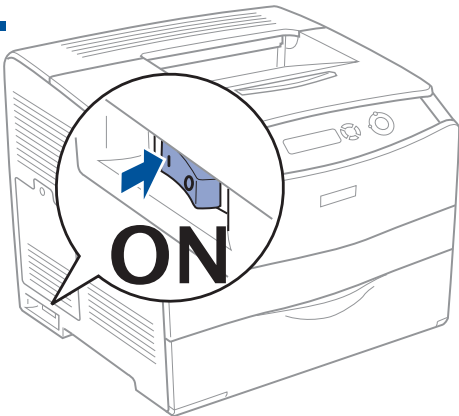
e.



f.



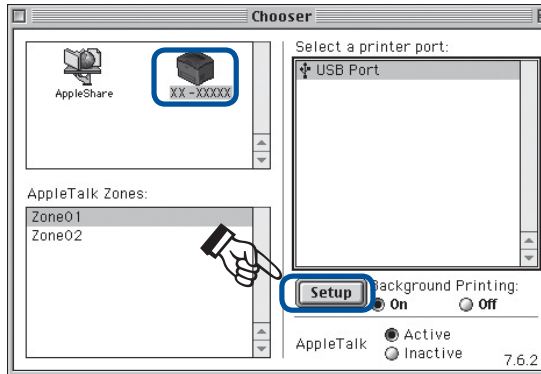
g.



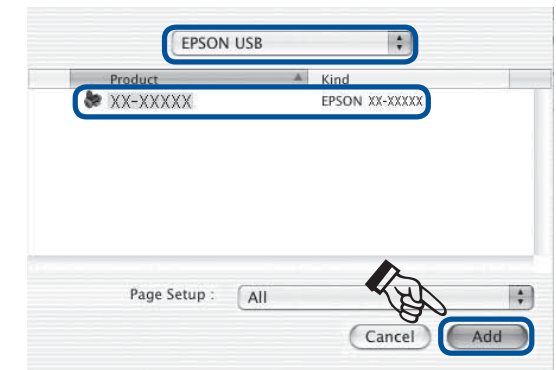
h.



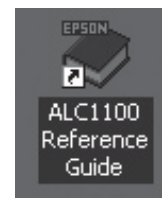
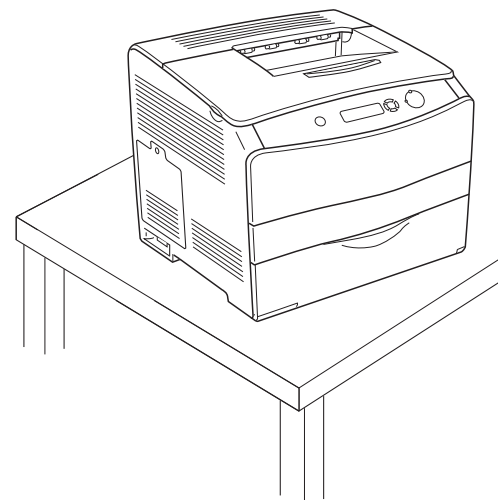
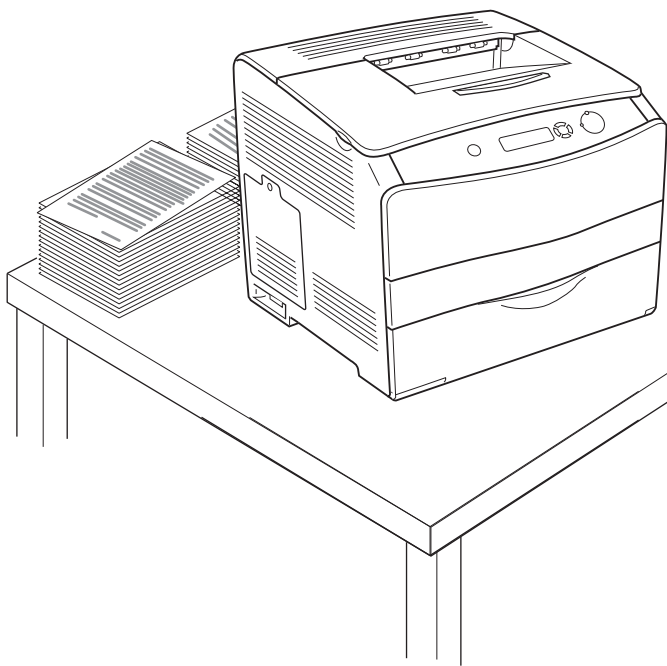
Mac OS 8/9



Mac OS X



EPSON AcuLaser™ C1100



<http://www.epson.com>

All rights reserved. No part of this publication may be reproduced, stored in a retrieval system, or transmitted in any form or by any means, mechanical, photocopying, recording, or otherwise, without the prior written permission of Seiko Epson Corporation. No patent liability is assumed with respect to the use of the information contained herein. Neither is any liability assumed for damages resulting from the use of the information contained herein.

Neither Seiko Epson Corporation nor its affiliates shall be liable to the purchaser of this product or third parties for damages, losses, costs, or expenses incurred by purchaser or third parties as a result of: accident, misuse, or abuse of this product or unauthorized modifications, repairs, or alterations to this product, or (excluding the U.S.) failure to strictly comply with Seiko Epson Corporation's operating and maintenance instructions.

Seiko Epson Corporation and its affiliates shall not be liable against any damages or problems arising from the use of any options or any consumable products other than those designated as Original Epson Products or Epson Approved Products by Seiko Epson Corporation.

Microsoft and Windows are registered trademarks of Microsoft Corporation in the United States and/or other countries.

Adobe is trademarks of Adobe Systems Incorporated, which may be registered in certain jurisdictions.

Apple and Macintosh are registered trademarks of Apple Computer, Inc.

General Notice: Other product names used herein are for identification purposes only and may be trademarks of their respective owners. Epson disclaims any and all rights in those marks.

Copyright © 2004 by Seiko Epson Corporation, Nagano, Japan.