

Epson AcuLaser **CX37 Series**

**Guide d'utilisation**  
**Imprimante / Copieur /**  
**Scanner**

---

---

## Copyright

La reproduction, l'enregistrement ou la diffusion de tout ou partie de ce manuel, sous quelque forme et par quelque moyen que ce soit, mécanique, photocopie, sonore ou autre, est interdit sans l'autorisation écrite préalable de Seiko Epson Corporation. Aucune responsabilité n'est assumée quant à l'utilisation des informations de ce manuel relatives aux brevets. Aucune responsabilité n'est également assumée quant aux dommages pouvant résulter de l'utilisation des informations contenues dans ce manuel.

La société Seiko Epson Corporation et ses filiales ne peuvent être tenues pour responsables des préjudices, pertes, coûts ou dépenses subis par l'acquéreur de ce produit ou par des tiers, résultant d'un accident, d'une utilisation non conforme ou abusive de l'appareil, de modifications, de réparations ou de transformations non autorisées de ce produit ou encore du non-respect (à l'exception des Etats-Unis d'Amérique) des instructions d'utilisation et d'entretien recommandées par Seiko Epson Corporation.

Seiko Epson Corporation décline toute responsabilité en cas de dommages ou d'incidents pouvant survenir suite à l'utilisation d'accessoires ou de consommables autres que les produits originaux de Epson ou agréés par la société Seiko Epson Corporation.

EPSON est une marque déposée et Epson AcuLaser est une marque ou une marque déposée de Seiko Epson Corporation.

---

## Accord de licence logiciel

Ce package contient les éléments suivants fournis par Seiko Epson Corporation (Epson) : le logiciel faisant partie intégrante du système d'impression, les données numériques de contour lisibles par la machine, codées au format spécial et sous forme cryptée (« Programmes de polices »), un autre logiciel fonctionnant sur un système informatique à utiliser conjointement avec le Logiciel d'impression (« Logiciel hôte »), et des instructions écrites connexes (« Documentation »). Le terme « Logiciel » s'emploie pour désigner le Logiciel d'impression, les Programmes de polices et/ou le Logiciel hôte, ainsi que toutes mises à jour, versions modifiées, compléments et copies du Logiciel.

Le Logiciel vous est fourni sous licence selon les termes et conditions du présent Accord.

Epson vous accorde une sous-licence d'exploitation non exclusive du Logiciel et de sa Documentation, à condition que vous acceptiez ce qui suit :

1. Vous pouvez utiliser le Logiciel d'impression et les Programmes de polices associés pour imprimer sur le(s) périphérique(s) de sortie sous licence, exclusivement à vos propres fins d'exploitation interne.
2. Outre la licence pour les Programmes de polices mentionnés au paragraphe 1 ci-dessus (« Logiciel d'impression »), vous pouvez utiliser des Programmes de polices Roman pour reproduire des tailles, styles et versions de lettres, chiffres, caractères et symboles (« Polices ») à l'écran, à vos propres fins d'exploitation interne.

3. Vous pouvez faire une copie unique de sauvegarde du Logiciel hôte, à condition que cette copie ne soit pas installée ou utilisée sur un quelconque ordinateur. Nonobstant les restrictions ci-dessus, vous pouvez installer le Logiciel hôte sur un nombre illimité d'ordinateurs dédiés à être utilisés avec un ou plusieurs systèmes d'impression fonctionnant avec le Logiciel d'impression.
4. Vous pouvez attribuer tous les droits stipulés dans cet Accord à un dépositaire des droits et intérêts de tous les bénéficiaires de cette licence Logiciel et Documentation (« Dépositaire »), à condition de transférer au Dépositaire toutes les copies du Logiciel et sa Documentation associée. Le Dépositaire accepte d'être lié par tous les termes et conditions de cet Accord.
5. Vous acceptez de ne pas modifier, adapter ou traduire le Logiciel et sa Documentation.
6. Vous acceptez de ne pas faire de tentatives pour altérer, dissocier, décoder, contrefaire ou décompiler le Logiciel.
7. Epson conservera le titre et la propriété du Logiciel et de sa Documentation ainsi que de toutes ses éventuelles reproductions.
8. L'utilisation de noms de marques se fera conformément à la pratique courante, notamment avec mention du nom de leur propriétaire respectif. Les noms de marques ne peuvent être utilisés qu'à des fins d'identification de l'imprimé produit par le Logiciel. Cette utilisation ne vous confère aucun droit de propriété sur la marque citée dans ce contexte.
9. Vous ne pouvez pas louer, céder en bail, sous-licencier, prêter ou transférer des versions ou copies du Logiciel non utilisé par le titulaire de la licence, de même que des versions ou copies du Logiciel contenues sur un support inhabituel, sauf dans le cadre d'un transfert permanent de l'ensemble Logiciel et Documentation mentionné plus haut.
10. Vous ne pourrez en aucun cas tenir Epson ou ses ayants droits pour responsables de dommages fortuits, INDIRECTS, PUNITIFS ou spéciaux, y compris de pertes pécuniaires, même si Epson a été averti de l'éventualité de tels dommages, ou de toute plainte émanant d'une tierce partie. Epson ou ses ayants droits rejettent toutes formes de garantie concernant le logiciel, expresse ou implicite, incluant sans limitation, des garanties de commercialisation et d'adaptation à des fins particulières, et des droits de titre et d'exclusivité de tierces parties. L'exclusion ou la limitation de dommages fortuits, conséquents ou spéciaux n'est pas autorisée dans certains états ou sous certaines juridictions. Par conséquent, les limitations ci-dessus peuvent ne pas vous concerner.
11. Avis aux utilisateurs finaux dans l'Administration U.S : le Logiciel est un « objet commercial » tel que défini à l'article 48 C.F.R. 2.101, consistant en un « logiciel informatique commercial » et en une « documentation de logiciel informatique commercial » comme mentionnés à l'article 48 C.F.R. 12.212. Conformément aux articles 48 C.F.R. 12.212 et 48 C.F.R. 227.7202-1 à 227.7202-4, le Logiciel est acquis par tout utilisateur final dans l'Administration U.S. avec les seuls droits stipulés dans le présent Accord.

12. Vous acceptez de ne pas exporter le Logiciel sous une forme quelconque contrevenant à toutes les lois et réglementations en vigueur pour le contrôle d'exportation dans tout pays.

---

## **About Adobe Color Profile**

### ADOBE SYSTEMS INCORPORATED COLOR PROFILE LICENSE AGREEMENT

NOTICE TO USER: PLEASE READ THIS CONTRACT CAREFULLY. BY USING ALL OR ANY PORTION OF THE SOFTWARE YOU ACCEPT ALL THE TERMS AND CONDITIONS OF THIS SOFTWARE YOU ACCEPT ALL THE TERMS AND CONDITIONS OF THIS AGREEMENT. IF YOU DO NOT AGREE WITH THE TERMS OF THIS AGREEMENT, DO NOT USE THE SOFTWARE.

1. **DEFINITIONS** In this Agreement, “Adobe” means Adobe Systems Incorporated, a Delaware corporation, located at 345 Park Avenue, San Jose, California 95110. “Software” means the software and related items with which this Agreement is provided.
2. **LICENSE** Subject to the terms of this Agreement, Adobe hereby grants you the worldwide, non-exclusive, nontransferable, royalty-free license to use, reproduce and publicly display the Software. Adobe also grants you the rights to distribute the Software only (a) as embedded within digital image files and (b) on a standalone basis. No other distribution of the Software is allowed; including, without limitation, distribution of the Software when incorporated into or bundled with any application software. All individual profiles must be referenced by their ICC Profile description string. You may not modify the Software. Adobe is under no obligation to provide any support under this Agreement, including upgrades or future versions of the Software or other items. No title to the intellectual property in the Software is transferred to you under the terms of this Agreement. You do not acquire any rights to the Software except as expressly set forth in this Agreement.

3. **DISTRIBUTION** If you choose to distribute the Software, you do so with the understanding that you agree to defend, indemnify and hold harmless Adobe against any losses, damages or costs arising from any claims, lawsuits or other legal actions arising out of such distribution, including without limitation, your failure to comply with this Section 3. If you distribute the Software on a standalone basis, you will do so under the terms of this Agreement or your own license agreement which (a) complies with the terms and conditions of this Agreement; (b) effectively disclaims all warranties and conditions, express or implied, on behalf of Adobe; (c) effectively excludes all liability for damages on behalf of Adobe; (d) states that any provisions that differ from this Agreement are offered by you alone and not Adobe and (e) states that the Software is available from you or Adobe and informs licensees how to obtain it in a reasonable manner on or through a medium customarily used for software exchange. Any distributed Software will include the Adobe copyright notices as included in the Software provided to you by Adobe.
  
4. **DISCLAIMER OF WARRANTY** Adobe licenses the Software to you on an “AS IS” basis. Adobe makes no representation as to the adequacy of the Software for any particular purpose or to produce any particular result. Adobe shall not be liable for loss or damage arising out of this Agreement or from the distribution or use of the Software or any other materials. ADOBE AND ITS SUPPLIERS DO NOT AND CANNOT WARRANT THE PERFORMANCE OR RESULTS YOU MAY OBTAIN BY USING THE SOFTWARE, EXCEPT FOR ANY WARRANTY, CONDITION, REPRESENTATION OR TERM TO THE EXTENT TO WHICH THE SAME CANNOT OR MAY NOT BE EXCLUDED OR LIMITED BY LAW APPLICABLE TO YOU IN YOUR JURISDICTION, ADOBE AND ITS SUPPLIERS MAKE NO WARRANTIES, CONDITIONS, REPRESENTATIONS OR TERMS, EXPRESS OR IMPLIED, WHETHER BY STATUTE, COMMON LAW, CUSTOM, USAGE OR OTHERWISE AS TO ANY OTHER MATTERS, INCLUDING BUT NOT LIMITED TO NON-INFRINGEMENT OF THIRD PARTY RIGHTS, INTEGRATION, SATISFACTORY QUALITY OR FITNESS FOR ANY PARTICULAR PURPOSE. YOU MAY HAVE ADDITIONAL RIGHTS WHICH VARY FROM JURISDICTION TO JURISDICTION. The provisions of Sections 4, 5 and 6 shall survive the termination of this Agreement, howsoever caused, but this shall not imply or create any continued right to use the Software after termination of this Agreement.

5. **LIMITATION OF LIABILITY IN NO EVENT WILL ADOBE OR ITS SUPPLIERS BE LIABLE TO YOU FOR ANY DAMAGES, CLAIMS OR COSTS WHATSOEVER OR ANY CONSEQUENTIAL, INDIRECT, INCIDENTAL DAMAGES, OR ANY LOST PROFITS OR LOST SAVINGS, EVEN IF AN ADOBE REPRESENTATIVE HAS BEEN ADVISED OF THE POSSIBILITY OF SUCH LOSS, DAMAGES, CLAIMS OR COSTS OR FOR ANY CLAIM BY ANY THIRD PARTY. THE FOREGOING LIMITATIONS AND EXCLUSIONS APPLY TO THE EXTENT PERMITTED BY APPLICABLE LAW IN YOUR JURISDICTION. ADOBE'S AGGREGATE LIABILITY AND THAT OF ITS SUPPLIERS UNDER OR IN CONNECTION WITH THIS AGREEMENT SHALL BE LIMITED TO THE AMOUNT PAID FOR THE SOFTWARE.** Nothing contained in this Agreement limits Adobe's liability to you in the event of death or personal injury resulting from Adobe's negligence or for the tort of deceit (fraud). Adobe is acting on behalf of its suppliers for the purpose of disclaiming, excluding and/or limiting obligations, warranties and liability as provided in this Agreement, but in no other respects and for no other purpose.
6. **TRADEMARKS** Adobe and the Adobe logo are the registered trademarks or trademarks of Adobe in the United States and other countries. With the exception of referential use, you will not use such trademarks or any other Adobe trademark or logo without separate prior written permission granted by Adobe.
7. **TERM** This Agreement is effective until terminated. Adobe has the right to terminate this Agreement immediately if you fail to comply with any term hereof. Upon any such termination, you must return to Adobe all full and partial copies of the Software in your possession or control.
8. **GOVERNMENT REGULATIONS** If any part of the Software is identified as an export controlled item under the United States Export Administration Act or any other export law, restriction or regulation (the "Export Laws"), you represent and warrant that you are not a citizen, or otherwise located within, an embargoed nation (including without limitation Iran, Iraq, Syria, Sudan, Libya, Cuba, North Korea, and Serbia) and that you are not otherwise prohibited under the Export Laws from receiving the Software. All rights to use the Software are granted on condition that such rights are forfeited if you fail to comply with the terms of this Agreement.
9. **GOVERNING LAW** This Agreement will be governed by and construed in accordance with the substantive laws in force in the State of California as such laws are applied to agreements entered into and to be performed entirely within California between California residents. This Agreement will not be governed by the conflict of law rules of any jurisdiction or the United Nations Convention on Contracts for the International Sale of Goods, the application of which is expressly excluded. All disputes arising out of, under or related to this Agreement will be brought exclusively in the state Santa Clara County, California, USA.

10. GENERAL You may not assign your rights or obligations granted under this Agreement without the prior written consent of Adobe. None of the provisions of this Agreement shall be deemed to have been waived by any act or acquiescence on the part of Adobe, its agents, or employees, but only by an instrument in writing signed by an authorized signatory of Adobe. When conflicting language exists between this Agreement and any other agreement included in the Software, the terms of such included agreement shall apply. If either you or Adobe employs attorneys to enforce any rights arising out of or relating to this Agreement, the prevailing party shall be entitled to recover reasonable attorneys' fees. You acknowledge that you have read this Agreement, understand it, and that it is the complete and exclusive statement of your agreement with Adobe which supersedes any prior agreement, oral or written, between Adobe and you with respect to the licensing to you of the Software. No variation of the terms of this Agreement will be enforceable against Adobe unless Adobe gives its express consent, in writing, signed by an authorized signatory of Adobe.

---

## ***ICC Profile for TOYO INK Standard Color on Coated paper (TOYO Offset Coated 2.1)***

This ICC Profile (TOYO Offset Coated 2.1) characterizes Japanese offset press on Coated paper and is fully compatible with ICC profile format.

About "TOYO INK Standard Color on Coated paper"

This is the standard for color reproduction of sheet-fed offset press on Coated paper made by TOYO INK MFG.CO., LTD. ("TOYO INK").

This standard is made from printing test with using TOYO INK's sheet-fed offset printing inks and TOYO INK's own printing conditions.

"TOYO INK Standard Color on Coated paper" is compatible with "JAPAN COLOR".

Agreement

1. The reproduction of images on a printer or a monitor using this ICC Profile do not completely match the TOYO INK Standard Color on Coated paper.
2. Any and all copyrights of this ICC Profile shall remain in TOYO INK; therefore you shall not transfer, provide, rent, distribute, disclose, or grant any rights in this ICC Profile to any third party without the prior written consent of TOYO INK.
3. In no event will TOYO INK its directors, officers, employees or agents be liable to you for any consequential or incidental, either direct or indirect, damages (including damages for loss of business profits, business interruption, loss of business information, and the like) arising out of the use or inability to use this ICC Profile.

4. TOYO INK shall not be responsible for answering any question related to this ICC Profile.
5. All company names and product names used in this document is the trademarks or registered trademarks of their respective holder.

This ICC Profile made by GretagMacbeth ProfileMaker and granted TOYO INK certain license to distribute by GretagMacbeth AG.

TOYO Offset Coated 2.1 © TOYO INK MFG. CO., LTD. 2004

---

## **DIC STANDARD COLOR PROFILE LICENSE AGREEMENT**

IMPORTANT: PLEASE READ THIS STANDARD COLOR PROFILE LICENSE AGREEMENT (“LICENSE AGREEMENT”) CAREFULLY BEFORE USING THE DIC STANDARD COLOR PROFILE, INCLUDING THE DIC STANDARD SFC\_AM2.0, DIC STANDARD SFM\_AM2.0, DIC STANDARD SFU\_AM2.0, DIC STANDARD SFC\_FM2.0, DIC WAKIMIZU SFC\_AM2.0, DIC WAKIMIZU SFC\_FM2.0, DIC ABILIO SFC\_AM1.0, DIC HY-BRYTE SFC\_AM1.0, DIC STANDARD WEBC\_AM2.1, DIC STANDARD WEBC\_FM2.1, DIC NEWSCOLOR\_AM1.0, DIC NEWSCOLOR\_FM1.0, PROVIDED BY DIC HEREWITH, AND ANY CORRESPONDING ONLINE OR ELECTRONIC DOCUMENTATION AND ALL UPDATES OR UPGRADES OF THE ABOVE THAT ARE PROVIDED TO YOU (COLLECTIVELY, THE “PROFILE”).

THIS LICENSE AGREEMENT IS A LEGAL AGREEMENT BETWEEN YOU (EITHER AN INDIVIDUAL OR, IF ACQUIRED BY OR FOR AN ENTITY, AN ENTITY) AND DIC CORPORATION, A JAPANESE COMPANY (“DIC”). THIS LICENSE AGREEMENT PROVIDES A LICENSE TO USE THE PROFILE AND CONTAINS WARRANTY INFORMATION AND LIABILITY DISCLAIMERS. IF YOU DO NOT AGREE TO BE BOUND BY ALL OF THESE TERMS, YOU MAY NOT USE THE PROFILE.

### 1. License Grant

DIC grants you a gratis non-exclusive and non-transferable license to use the Profile and to allow your employees and authorized agents, if any, to use the Profile, solely in connection with their work for you, subject to all of the limitations and restrictions in this License Agreement.

### 2. Ownership

The foregoing license gives you limited license to use the Profile. You will own the rights in the media containing the recorded Profile, but DIC retains all right, title and interest, including all copyright and intellectual property rights, in and to, the Profile and all copies thereof. All rights not specifically granted in this License Agreement, including all copyrights, are reserved by DIC.



3. Term
  - a. This License Agreement is effective until terminated.
  - b. You may terminate this License Agreement by notifying DIC in writing of your intention to terminate this License Agreement and by destroying, all copies of the Profile in your possession or control.
  - c. DIC may terminate this License Agreement without prior notice to you if you fail to comply with any of the terms and conditions of this License Agreement (either directly or through your employees or agents), retroactive to the time of such failure to comply. In such event, you must immediately stop using the Profile and destroy all copies of the Profile in your possession or control.
  - d. All provisions in this License Agreement relating to warranty disclaimers (Section 5) and the limitation of liability (Section 6) shall survive any termination of this License Agreement.
  
4. License Method and Restrictions
  - a. You may install and use the Profile on a single desktop computer; provided, however, that, notwithstanding anything contrary contained herein, you may not use the Profile on any network system or share, install or use the Profile concurrently on different computers, or electronically transfer the Profile from one computer to another or over a network.
  - b. You may not make or distribute copies, fix, alter, merge, modify, adapt, sublicense, transfer, sell, rent, lease, gift or distribute all or a portion of the Profile, or modify the Profile or create derivative works based upon the Profile.
  - c. You acknowledge that the Profile is not intended for any usage which may cause death or physical injury or environmental damage and agree not to use the Profile for such usage.
  - d. You shall not use the Profile to develop any software or other technology having the same primary function as the Profile, including but not limited to using the Profile in any development or test procedure that seeks to develop like software or other technology, or to determine if such software or other technology performs in a similar manner as the Profile.
  - e. DIC and other trademarks contained in the Profile are trademarks or registered trademarks of DIC in Japan and/or other countries. You may not remove or alter any trademark, trade names, product names, logo, copyright or other proprietary notices, legends, symbols or labels in the Profile. This License Agreement does not authorize you to use DIC's or its licensors' names or any of their respective trademarks.

## 5. WARRANTY DISCLAIMER

a. THE PROFILE IS PROVIDED TO YOU FREE OF CHARGE, AND ON AN "AS-IS" BASIS, IN ACCORDANCE WITH THE TERMS AND COONDITIONS OF THIS LICENSE AGREEMENT. DIC PROVIDES NO TECHNICAL SUPPORT, WARRANTIES OR REMEDIES FOR THE PROFILE.

b. DIC DISCLAIMS ALL WARRANTIES AND REPRESENTATIONS, WHETHER EXPRESS, IMPLIED, OR OTHERWISE, INCLUDING BUT NOT LIMITED TO, THE WARRANTIES OF MERCHANTABILITY OR FITNESS FOR A PARTICULAR PURPOSE, NON-INFRINGEMENT, TITLE AND QUIET ENJOYMENT. YOU SHALL ASSUME AND BE FULLY LIABLE AND RESPONSIBLE FOR ALL RISKS IN CONNECTION WITH YOUR USE OF THE PROFILE. DIC DOES NOT WARRANT THAT THE PROFILE IS FREE OF DEFECTS OR FLAWS OR WILL OPERATE WITHOUT INTERRUPTION, AND IS NOT RESPONSIBLE FOR CORRECTING OR REPAIRING ANY DEFECTS OR FLAWS, FOR FEE OR GRATIS. NO RIGHTS OR REMEDIES WILL BE CONFERRED ON YOU UNLESS EXPRESSLY GRANTED HEREIN.

## 6. LIMITATION OF LIABILITY

DIC SHALL NOT BE LIABLE TO YOU OR ANY THIRD PARTY FOR ANY DIRECT, INDIRECT, SPECIAL, INCIDENTAL, PUNITIVE, COVER OR CONSEQUENTIAL DAMAGES (INCLUDING, BUT NOT LIMITED TO, DAMAGES FOR THE INABILITY TO USE EQUIPMENT OR ACCESS DATA, LOSS OF BUSINESS, LOSS OF PROFITS, BUSINESS INTERRUPTION OR THE LIKE), ARISING OUT OF THE USE OF, OR INABILITY TO USE, THE PROFILE AND BASED ON ANY THEORY OF LIABILITY INCLUDING BREACH OF CONTRACT, BREACH OF WARRANTY, TORT (INCLUDING NEGLIGENCE), PRODUCT LIABILITY OR OTHERWISE, EVEN IF DIC OR ITS REPRESENTATIVES HAVE BEEN ADVISED OF THE POSSIBILITY OF SUCH DAMAGES.

THE FOREGOING LIMITATIONS ON LIABILITY SHALL APPLY TO ALL ASPECTS OF THIS LICENSE AGREEMENT.

## 7. General

a. This License Agreement shall be governed and construed in accordance with the laws of Japan, without giving effect to principles of conflict of laws. If any provision of this License Agreement shall be held by a court of competent jurisdiction to be contrary to law, that provision will be enforced to the maximum extent permissible, and the remaining provisions of this License Agreement will remain in full force and effect. You hereby consent to the exclusive jurisdiction and venue of Tokyo District Court to resolve any disputes arising under this License Agreement.

b. This License Agreement contains the complete agreement between the parties with respect to the subject matter hereof, and supersedes all prior or contemporaneous agreements or understandings, whether oral or written. You agree that any varying or additional terms contained in any written notification or document issued by you in relation to the Profile licensed hereunder shall be of no effect.

c. The failure or delay of DIC to exercise any of its rights under this License Agreement or upon any breach of this License Agreement shall not be deemed a waiver of those rights or of the breach.

---

## OpenSSL Statement

### LICENSE ISSUES

The OpenSSL toolkit stays under a dual license, i.e. both the conditions of the OpenSSL License and the original SSLeay license apply to the toolkit. See below for the actual license texts. Actually both licenses are BSD-style Open Source licenses. In case of any license issues related to OpenSSL please contact [openssl-core@openssl.org](mailto:openssl-core@openssl.org).

#### OpenSSL License

Copyright © 1998-2005 The OpenSSL Project. All rights reserved.

Redistribution and use in source and binary forms, with or without modification, are permitted provided that the following conditions are met:

1. Redistributions of source code must retain the above copyright notice, this list of conditions and the following disclaimer.
2. Redistributions in binary form must reproduce the above copyright notice, this list of conditions and the following disclaimer in the documentation and/or other materials provided with the distribution.
3. All advertising materials mentioning features or use of this software must display the following acknowledgment:

“This product includes software developed by the OpenSSL Project for use in the OpenSSL Toolkit. (<http://www.openssl.org/>)”

4. The names “OpenSSL Toolkit” and “OpenSSL Project” must not be used to endorse or promote products derived from this software without prior written permission. For written permission, please contact [openssl-core@openssl.org](mailto:openssl-core@openssl.org).
5. Products derived from this software may not be called “OpenSSL” nor may “OpenSSL” appear in their names without prior written permission of the OpenSSL Project.
6. Redistributions of any form whatsoever must retain the following acknowledgment:  

“This product includes software developed by the OpenSSL Project for use in the OpenSSL Toolkit (<http://www.openssl.org/>)”

THIS SOFTWARE IS PROVIDED BY THE OpenSSL PROJECT "AS IS" AND ANY EXPRESSED OR IMPLIED WARRANTIES, INCLUDING, BUT NOT LIMITED TO, THE IMPLIED WARRANTIES OF MERCHANTABILITY AND FITNESS FOR A PARTICULAR PURPOSE ARE DISCLAIMED. IN NO EVENT SHALL THE OpenSSL PROJECT OR ITS CONTRIBUTORS BE LIABLE FOR ANY DIRECT, INDIRECT, INCIDENTAL, SPECIAL, EXEMPLARY, OR CONSEQUENTIAL DAMAGES (INCLUDING, BUT NOT LIMITED TO, PROCUREMENT OF SUBSTITUTE GOODS OR SERVICES; LOSS OF USE, DATA, OR PROFITS; OR BUSINESS INTERRUPTION) HOWEVER CAUSED AND ON ANY THEORY OF LIABILITY, WHETHER IN CONTRACT, STRICT LIABILITY, OR TORT (INCLUDING NEGLIGENCE OR OTHERWISE) ARISING IN ANY WAY OUT OF THE USE OF THIS SOFTWARE, EVEN IF ADVISED OF THE POSSIBILITY OF SUCH DAMAGE.

This product includes cryptographic software written by Eric Young (eay@cryptsoft.com). This product includes software written by Tim Hudson (tjh@cryptsoft.com).

## **Original SSLeay License**

Copyright © 1995-1998 Eric Young (eay@cryptsoft.com) All rights reserved.

This package is an SSL implementation written by Eric Young (eay@cryptsoft.com). The implementation was written so as to conform with Netscapes SSL.

This library is free for commercial and non-commercial use as long as the following conditions are aheared to. The following conditions apply to all code found in this distribution, be it the RC4, RSA, lhash, DES, etc., code; not just the SSL code. The SSL documentation included with this distribution is covered by the same copyright terms except that the holder is Tim Hudson (tjh@cryptsoft.com).

Copyright remains Eric Young's, and as such any Copyright notices in the code are not to be removed. If this package is used in a product, Eric Young should be given attribution as the author of the parts of the library used. This can be in the form of a textual message at program startup or in documentation (online or textual) provided with the package.

Redistribution and use in source and binary forms, with or without modification, are permitted provided that the following conditions are met:

1. Redistributions of source code must retain the copyright notice, this list of conditions and the following disclaimer.
2. Redistributions in binary form must reproduce the above copyright notice, this list of conditions and the following disclaimer in the documentation and/or other materials provided with the distribution.

3. All advertising materials mentioning features or use of this software must display the following acknowledgement:

“This product includes cryptographic software written by Eric Young (eay@cryptsoft.com)”  
The word “cryptographic” can be left out if the routines from the library being used are not cryptographic related :-).

4. If you include any Windows specific code (or a derivative thereof) from the apps directory (application code) you must include an acknowledgement:

“This product includes software written by Tim Hudson (tjh@cryptsoft.com)”

THIS SOFTWARE IS PROVIDED BY ERIC YOUNG “AS IS” AND ANY EXPRESS OR IMPLIED WARRANTIES, INCLUDING, BUT NOT LIMITED TO, THE IMPLIED WARRANTIES OF MERCHANTABILITY AND FITNESS FOR A PARTICULAR PURPOSE ARE DISCLAIMED. IN NO EVENT SHALL THE AUTHOR OR CONTRIBUTORS BE LIABLE FOR ANY DIRECT, INDIRECT, INCIDENTAL, SPECIAL, EXEMPLARY, OR CONSEQUENTIAL DAMAGES (INCLUDING, BUT NOT LIMITED TO, PROCUREMENT OF SUBSTITUTE GOODS OR SERVICES; LOSS OF USE, DATA, OR PROFITS; OR BUSINESS INTERRUPTION) HOWEVER CAUSED AND ON ANY THEORY OF LIABILITY, WHETHER IN CONTRACT, STRICT LIABILITY, OR TORT (INCLUDING NEGLIGENCE OR OTHERWISE) ARISING IN ANY WAY OUT OF THE USE OF THIS SOFTWARE, EVEN IF ADVISED OF THE POSSIBILITY OF SUCH DAMAGE.

The licence and distribution terms for any publically available version or derivative of this code cannot be changed. i.e. this code cannot simply be copied and put under another distribution licence [including the GNU Public Licence.]

THIS SOFTWARE IS PROVIDED BY ERIC YOUNG “AS IS” AND ANY EXPRESS OR IMPLIED WARRANTIES, INCLUDING, BUT NOT LIMITED TO, THE IMPLIED WARRANTIES OF MERCHANTABILITY AND FITNESS FOR A PARTICULAR PURPOSE ARE DISCLAIMED. IN NO EVENT SHALL THE AUTHOR OR CONTRIBUTORS BE LIABLE FOR ANY DIRECT, INDIRECT, INCIDENTAL, SPECIAL, EXEMPLARY, OR CONSEQUENTIAL DAMAGES (INCLUDING, BUT NOT LIMITED TO, PROCUREMENT OF SUBSTITUTE GOODS OR SERVICES; LOSS OF USE, DATA, OR PROFITS; OR BUSINESS INTERRUPTION) HOWEVER CAUSED AND ON ANY THEORY OF LIABILITY, WHETHER IN CONTRACT, STRICT LIABILITY, OR TORT (INCLUDING NEGLIGENCE OR OTHERWISE) ARISING IN ANY WAY OUT OF THE USE OF THIS SOFTWARE, EVEN IF ADVISED OF THE POSSIBILITY OF SUCH DAMAGE.

The licence and distribution terms for any publically available version or derivative of this code cannot be changed. i.e. this code cannot simply be copied and put under another distribution licence [including the GNU Public Licence.]

---

## **NetSNMP License**

### **Part 1: CMU/UCD copyright notice: (BSD like)**

Copyright 1989, 1991, 1992 by Carnegie Mellon University Derivative Work - 1996, 1998-2000  
Copyright 1996, 1998-2000 The Regents of the University of California All Rights Reserved  
Permission to use, copy, modify and distribute this software and its documentation for any purpose and without fee is hereby granted, provided that the above copyright notice appears in all copies and that both that copyright notice and this permission notice appear in supporting documentation, and that the name of CMU and The Regents of the University of California not be used in advertising or publicity pertaining to distribution of the software without specific written permission.

CMU AND THE REGENTS OF THE UNIVERSITY OF CALIFORNIA DISCLAIM ALL WARRANTIES WITH REGARD TO THIS SOFTWARE, INCLUDING ALL IMPLIED WARRANTIES OF MERCHANTABILITY AND FITNESS. IN NO EVENT SHALL CMU OR THE REGENTS OF THE UNIVERSITY OF CALIFORNIA BE LIABLE FOR ANY SPECIAL, INDIRECT OR CONSEQUENTIAL DAMAGES OR ANY DAMAGES WHATSOEVER RESULTING FROM THE LOSS OF USE, DATA OR PROFITS, WHETHER IN AN ACTION OF CONTRACT, NEGLIGENCE OR OTHER TORTIOUS ACTION, ARISING OUT OF OR IN CONNECTION WITH THE USE OR PERFORMANCE OF THIS SOFTWARE.

### **Part 2: Networks Associates Technology, Inc copyright notice (BSD)**

Copyright © 2001-2003, Networks Associates Technology, Inc All rights reserved.

Redistribution and use in source and binary forms, with or without modification, are permitted provided that the following conditions are met:

- Redistributions of source code must retain the above copyright notice, this list of conditions and the following disclaimer.
- Redistributions in binary form must reproduce the above copyright notice, this list of conditions and the following disclaimer in the documentation and/or other materials provided with the distribution.
- Neither the name of the Networks Associates Technology, Inc nor the names of its contributors may be used to endorse or promote products derived from this software without specific prior written permission.

THIS SOFTWARE IS PROVIDED BY THE COPYRIGHT HOLDERS AND CONTRIBUTORS "AS IS" AND ANY EXPRESS OR IMPLIED WARRANTIES, INCLUDING, BUT NOT LIMITED TO, THE IMPLIED WARRANTIES OF MERCHANTABILITY AND FITNESS FOR A PARTICULAR PURPOSE ARE DISCLAIMED. IN NO EVENT SHALL THE COPYRIGHT HOLDERS OR CONTRIBUTORS BE LIABLE FOR ANY DIRECT, INDIRECT, INCIDENTAL, SPECIAL, EXEMPLARY, OR CONSEQUENTIAL DAMAGES (INCLUDING, BUT NOT LIMITED TO, PROCUREMENT OF SUBSTITUTE GOODS OR SERVICES; LOSS OF USE, DATA, OR PROFITS; OR BUSINESS INTERRUPTION) HOWEVER CAUSED AND ON ANY THEORY OF LIABILITY, WHETHER IN CONTRACT, STRICT LIABILITY, OR TORT (INCLUDING NEGLIGENCE OR OTHERWISE) ARISING IN ANY WAY OUT OF THE USE OF THIS SOFTWARE, EVEN IF ADVISED OF THE POSSIBILITY OF SUCH DAMAGE.

### **Part 3: Cambridge Broadband Ltd. copyright notice (BSD)**

Portions of this code are copyright © 2001-2003, Cambridge Broadband Ltd.

All rights reserved.

Redistribution and use in source and binary forms, with or without modification, are permitted provided that the following conditions are met:

- Redistributions of source code must retain the above copyright notice, this list of conditions and the following disclaimer.
- Redistributions in binary form must reproduce the above copyright notice, this list of conditions and the following disclaimer in the documentation and/or other materials provided with the distribution.
- The name of Cambridge Broadband Ltd. may not be used to endorse or promote products derived from this software without specific prior written permission.

THIS SOFTWARE IS PROVIDED BY THE COPYRIGHT HOLDER "AS IS" AND ANY EXPRESS OR IMPLIED WARRANTIES, INCLUDING, BUT NOT LIMITED TO, THE IMPLIED WARRANTIES OF MERCHANTABILITY AND FITNESS FOR A PARTICULAR PURPOSE ARE DISCLAIMED. IN NO EVENT SHALL THE COPYRIGHT HOLDER BE LIABLE FOR ANY DIRECT, INDIRECT, INCIDENTAL, SPECIAL, EXEMPLARY, OR CONSEQUENTIAL DAMAGES (INCLUDING, BUT NOT LIMITED TO, PROCUREMENT OF SUBSTITUTE GOODS OR SERVICES; LOSS OF USE, DATA, OR PROFITS; OR BUSINESS INTERRUPTION) HOWEVER CAUSED AND ON ANY THEORY OF LIABILITY, WHETHER IN CONTRACT, STRICT LIABILITY, OR TORT (INCLUDING NEGLIGENCE OR OTHERWISE) ARISING IN ANY WAY OUT OF THE USE OF THIS SOFTWARE, EVEN IF ADVISED OF THE POSSIBILITY OF SUCH DAMAGE.



## **Part 4: Sun Microsystems, Inc. copyright notice (BSD)**

Copyright © 2003 Sun Microsystems, Inc., 4150 Network Circle, Santa Clara, California 95054, U.S.A.  
All rights reserved.

Use is subject to license terms below.

This distribution may include materials developed by third parties.

Sun, Sun Microsystems, the Sun logo and Solaris are trademarks or registered trademarks of Sun Microsystems, Inc. in the U.S. and other countries.

Redistribution and use in source and binary forms, with or without modification, are permitted provided that the following conditions are met:

- Redistributions of source code must retain the above copyright notice, this list of conditions and the following disclaimer.
- Redistributions in binary form must reproduce the above copyright notice, this list of conditions and the following disclaimer in the documentation and/or other materials provided with the distribution.
- Neither the name of the Sun Microsystems, Inc. nor the names of its contributors may be used to endorse or promote products derived from this software without specific prior written permission.

THIS SOFTWARE IS PROVIDED BY THE COPYRIGHT HOLDERS AND CONTRIBUTORS "AS IS" AND ANY EXPRESS OR IMPLIED WARRANTIES, INCLUDING, BUT NOT LIMITED TO, THE IMPLIED WARRANTIES OF MERCHANTABILITY AND FITNESS FOR A PARTICULAR PURPOSE ARE DISCLAIMED. IN NO EVENT SHALL THE COPYRIGHT HOLDERS OR CONTRIBUTORS BE LIABLE FOR ANY DIRECT, INDIRECT, INCIDENTAL, SPECIAL, EXEMPLARY, OR CONSEQUENTIAL DAMAGES (INCLUDING, BUT NOT LIMITED TO, PROCUREMENT OF SUBSTITUTE GOODS OR SERVICES; LOSS OF USE, DATA, OR PROFITS; OR BUSINESS INTERRUPTION) HOWEVER CAUSED AND ON ANY THEORY OF LIABILITY, WHETHER IN CONTRACT, STRICT LIABILITY, OR TORT (INCLUDING NEGLIGENCE OR OTHERWISE) ARISING IN ANY WAY OUT OF THE USE OF THIS SOFTWARE, EVEN IF ADVISED OF THE POSSIBILITY OF SUCH DAMAGE.

## **Part 5: Sparta, Inc copyright notice (BSD)**

Copyright © 2003-2004, Sparta, Inc All rights reserved.

Redistribution and use in source and binary forms, with or without modification, are permitted provided that the following conditions are met:

- Redistributions of source code must retain the above copyright notice, this list of conditions and the following disclaimer.



- ❑ Redistributions in binary form must reproduce the above copyright notice, this list of conditions and the following disclaimer in the documentation and/or other materials provided with the distribution.
- ❑ Neither the name of Sparta, Inc nor the names of its contributors may be used to endorse or promote products derived from this software without specific prior written permission.

THIS SOFTWARE IS PROVIDED BY THE COPYRIGHT HOLDERS AND CONTRIBUTORS "AS IS" AND ANY EXPRESS OR IMPLIED WARRANTIES, INCLUDING, BUT NOT LIMITED TO, THE IMPLIED WARRANTIES OF MERCHANTABILITY AND FITNESS FOR A PARTICULAR PURPOSE ARE DISCLAIMED. IN NO EVENT SHALL THE COPYRIGHT HOLDERS OR CONTRIBUTORS BE LIABLE FOR ANY DIRECT, INDIRECT, INCIDENTAL, SPECIAL, EXEMPLARY, OR CONSEQUENTIAL DAMAGES (INCLUDING, BUT NOT LIMITED TO, PROCUREMENT OF SUBSTITUTE GOODS OR SERVICES; LOSS OF USE, DATA, OR PROFITS; OR BUSINESS INTERRUPTION) HOWEVER CAUSED AND ON ANY THEORY OF LIABILITY, WHETHER IN CONTRACT, STRICT LIABILITY, OR TORT (INCLUDING NEGLIGENCE OR OTHERWISE) ARISING IN ANY WAY OUT OF THE USE OF THIS SOFTWARE, EVEN IF ADVISED OF THE POSSIBILITY OF SUCH DAMAGE.

## **Part 6: Cisco/BUPTNIC copyright notice (BSD)**

Copyright © 2004, Cisco, Inc and Information Network Center of Beijing University of Posts and Telecommunications. All rights reserved.

Redistribution and use in source and binary forms, with or without modification, are permitted provided that the following conditions are met:

- ❑ Redistributions of source code must retain the above copyright notice, this list of conditions and the following disclaimer.
- ❑ Redistributions in binary form must reproduce the above copyright notice, this list of conditions and the following disclaimer in the documentation and/or other materials provided with the distribution.
- ❑ Neither the name of Cisco, Inc, Beijing University of Posts and Telecommunications, nor the names of their contributors may be used to endorse or promote products derived from this software without specific prior written permission.

THIS SOFTWARE IS PROVIDED BY THE COPYRIGHT HOLDERS AND CONTRIBUTORS “AS IS” AND ANY EXPRESS OR IMPLIED WARRANTIES, INCLUDING, BUT NOT LIMITED TO, THE IMPLIED WARRANTIES OF MERCHANTABILITY AND FITNESS FOR A PARTICULAR PURPOSE ARE DISCLAIMED. IN NO EVENT SHALL THE COPYRIGHT HOLDERS OR CONTRIBUTORS BE LIABLE FOR ANY DIRECT, INDIRECT, INCIDENTAL, SPECIAL, EXEMPLARY, OR CONSEQUENTIAL DAMAGES (INCLUDING, BUT NOT LIMITED TO, PROCUREMENT OF SUBSTITUTE GOODS OR SERVICES; LOSS OF USE, DATA, OR PROFITS; OR BUSINESS INTERRUPTION) HOWEVER CAUSED AND ON ANY THEORY OF LIABILITY, WHETHER IN CONTRACT, STRICT LIABILITY, OR TORT (INCLUDING NEGLIGENCE OR OTHERWISE) ARISING IN ANY WAY OUT OF THE USE OF THIS SOFTWARE, EVEN IF ADVISED OF THE POSSIBILITY OF SUCH DAMAGE.

## **Kerberos**

Copyright © 1985-2007 by the Massachusetts Institute of Technology.  
All rights reserved.

Export of this software from the United States of America may require a specific license from the United States Government. It is the responsibility of any person or organization contemplating export to obtain such a license before exporting.

WITHIN THAT CONSTRAINT, permission to use, copy, modify, and distribute this software and its documentation for any purpose and without fee is hereby granted, provided that the above copyright notice appear in all copies and that both that copyright notice and this permission notice appear in supporting documentation, and that the name of M.I.T. not be used in advertising or publicity pertaining to distribution of the software without specific, written prior permission. Furthermore if you modify this software you must label your software as modified software and not distribute it in such a fashion that it might be confused with the original MIT software. M.I.T. makes no representations about the suitability of this software for any purpose. It is provided “as is” without express or implied warranty.

THIS SOFTWARE IS PROVIDED “AS IS” AND WITHOUT ANY EXPRESS OR IMPLIED WARRANTIES, INCLUDING, WITHOUT LIMITATION, THE IMPLIED WARRANTIES OF MERCHANTABILITY AND FITNESS FOR A PARTICULAR PURPOSE.

Individual source code files are copyright MIT, Cygnus Support, Novell, OpenVision Technologies, Oracle, Red Hat, Sun Microsystems, FundsXpress, and others.

Project Athena, Athena, Athena MUSE, Discuss, Hesiod, Kerberos, Moira, and Zephyr are trademarks of the Massachusetts Institute of Technology (MIT). No commercial use of these trademarks may be made without prior written permission of MIT.

“Commercial use” means use of a name in a product or other for-profit manner. It does NOT prevent a commercial firm from referring to the MIT trademarks in order to convey information (although in doing so, recognition of their trademark status should be given).

Portions of src/lib/crypto have the following copyright:

Copyright © 1998 by the FundsXpress, INC.

All rights reserved.

Export of this software from the United States of America may require a specific license from the United States Government. It is the responsibility of any person or organization contemplating export to obtain such a license before exporting.

WITHIN THAT CONSTRAINT, permission to use, copy, modify, and distribute this software and its documentation for any purpose and without fee is hereby granted, provided that the above copyright notice appear in all copies and that both that copyright notice and this permission notice appear in supporting documentation, and that the name of FundsXpress. not be used in advertising or publicity pertaining to distribution of the software without specific, written prior permission. FundsXpress makes no representations about the suitability of this software for any purpose. It is provided "as is" without express or implied warranty.

THIS SOFTWARE IS PROVIDED "AS IS" AND WITHOUT ANY EXPRESS OR IMPLIED WARRANTIES, INCLUDING, WITHOUT LIMITATION, THE IMPLIED WARRANTIES OF MERCHANTABILITY AND FITNESS FOR A PARTICULAR PURPOSE.

The implementation of the Yarrow pseudo-random number generator in src/lib/crypto/yarrow has the following copyright:

Copyright 2000 by Zero-Knowledge Systems, Inc.

Permission to use, copy, modify, distribute, and sell this software and its documentation for any purpose is hereby granted without fee, provided that the above copyright notice appear in all copies and that both that copyright notice and this permission notice appear in supporting documentation, and that the name of Zero-Knowledge Systems, Inc. not be used in advertising or publicity pertaining to distribution of the software without specific, written prior permission. Zero-Knowledge Systems, Inc. makes no representations about the suitability of this software for any purpose. It is provided "as is" without express or implied warranty.

ZERO-KNOWLEDGE SYSTEMS, INC. DISCLAIMS ALL WARRANTIES WITH REGARD TO THIS SOFTWARE, INCLUDING ALL IMPLIED WARRANTIES OF MERCHANTABILITY AND FITNESS, IN NO EVENT SHALL ZERO-KNOWLEDGE SYSTEMS, INC. BE LIABLE FOR ANY SPECIAL, INDIRECT OR CONSEQUENTIAL DAMAGES OR ANY DAMAGES WHATSOEVER RESULTING FROM LOSS OF USE, DATA OR PROFITS, WHETHER IN AN ACTION OF CONTRACT, NEGLIGENCE OR OTHER TORTUOUS ACTION, ARISING OUT OF OR IN CONNECTION WITH THE USE OR PERFORMANCE OF THIS SOFTWARE.

The implementation of the AES encryption algorithm in src/lib/crypto/aes has the following copyright:

Copyright © 2001, Dr Brian Gladman <brg@gladman.uk.net>, Worcester, UK.

All rights reserved.

LICENSE TERMS

The free distribution and use of this software in both source and binary form is allowed (with or without changes) provided that:

1. distributions of this source code include the above copyright notice, this list of conditions and the following disclaimer;
2. distributions in binary form include the above copyright notice, this list of conditions and the following disclaimer in the documentation and/or other associated materials;
3. the copyright holder's name is not used to endorse products built using this software without specific written permission.

#### DISCLAIMER

This software is provided "as is" with no explicit or implied warranties in respect of any properties, including, but not limited to, correctness and fitness for purpose.

Portions contributed by Red Hat, including the pre-authentication plug-ins framework, contain the following copyright:

Copyright © 2006 Red Hat, Inc.

Portions copyright © 2006 Massachusetts Institute of Technology

All Rights Reserved.

Redistribution and use in source and binary forms, with or without modification, are permitted provided that the following conditions are met:

\* Redistributions of source code must retain the above copyright notice, this list of conditions and the following disclaimer.

\* Redistributions in binary form must reproduce the above copyright notice, this list of conditions and the following disclaimer in the documentation and/or other materials provided with the distribution.

\* Neither the name of Red Hat, Inc., nor the names of its contributors may be used to endorse or promote products derived from this software without specific prior written permission.

THIS SOFTWARE IS PROVIDED BY THE COPYRIGHT HOLDERS AND CONTRIBUTORS "AS IS" AND ANY EXPRESS OR IMPLIED WARRANTIES, INCLUDING, BUT NOT LIMITED TO, THE IMPLIED WARRANTIES OF MERCHANTABILITY AND FITNESS FOR A PARTICULAR PURPOSE ARE DISCLAIMED. IN NO EVENT SHALL THE COPYRIGHT OWNER OR CONTRIBUTORS BE LIABLE FOR ANY DIRECT, INDIRECT, INCIDENTAL, SPECIAL, EXEMPLARY, OR CONSEQUENTIAL DAMAGES (INCLUDING, BUT NOT LIMITED TO, PROCUREMENT OF SUBSTITUTE GOODS OR SERVICES; LOSS OF USE, DATA, OR PROFITS; OR BUSINESS INTERRUPTION) HOWEVER CAUSED AND ON ANY THEORY OF LIABILITY, WHETHER IN CONTRACT, STRICT LIABILITY, OR TORT (INCLUDING NEGLIGENCE OR OTHERWISE) ARISING IN ANY WAY OUT OF THE USE OF THIS SOFTWARE, EVEN IF ADVISED OF THE POSSIBILITY OF SUCH DAMAGE.

Portions funded by Sandia National Laboratory and developed by the University of Michigan's Center for Information Technology Integration, including the PKINIT implementation, are subject to the following license:

COPYRIGHT © 2006-2007

THE REGENTS OF THE UNIVERSITY OF MICHIGAN

ALL RIGHTS RESERVED

Permission is granted to use, copy, create derivative works and redistribute this software and such derivative works for any purpose, so long as the name of The University of Michigan is not used in any advertising or publicity pertaining to the use of distribution of this software without specific, written prior authorization. If the above copyright notice or any other identification of the University of Michigan is included in any copy of any portion of this software, then the disclaimer below must also be included.

THIS SOFTWARE IS PROVIDED AS IS, WITHOUT REPRESENTATION FROM THE UNIVERSITY OF MICHIGAN AS TO ITS FITNESS FOR ANY PURPOSE, AND WITHOUT WARRANTY BY THE UNIVERSITY OF MICHIGAN OF ANY KIND, EITHER EXPRESS OR IMPLIED, INCLUDING WITHOUT LIMITATION THE IMPLIED WARRANTIES OF MERCHANTABILITY AND FITNESS FOR A PARTICULAR PURPOSE. THE REGENTS OF THE UNIVERSITY OF MICHIGAN SHALL NOT BE LIABLE FOR ANY DAMAGES, INCLUDING SPECIAL, INDIRECT, INCIDENTAL, OR CONSEQUENTIAL DAMAGES, WITH RESPECT TO ANY CLAIM ARISING OUT OF OR IN CONNECTION WITH THE USE OF THE SOFTWARE, EVEN IF IT HAS BEEN OR IS HEREAFTER ADVISED OF THE POSSIBILITY OF SUCH DAMAGES.

The pkcs11.h file included in the PKINIT code has the following license:

Copyright 2006 g10 Code GmbH

Copyright 2006 Andreas Jellinghaus

This file is free software; as a special exception the author gives unlimited permission to copy and/or distribute it, with or without modifications, as long as this notice is preserved.

This file is distributed in the hope that it will be useful, but WITHOUT ANY WARRANTY, to the extent permitted by law; without even the implied warranty of MERCHANTABILITY or FITNESS FOR A PARTICULAR PURPOSE.

## ***WPA Supplicant***

Copyright © 2003-2005, Jouni Malinen <jkmaline@cc.hut.fi> and contributors

All Rights Reserved.

Redistribution and use in source and binary forms, with or without modification, are permitted provided that the following conditions are met:

1. Redistributions of source code must retain the above copyright notice, this list of conditions and the following disclaimer.

2. Redistributions in binary form must reproduce the above copyright notice, this list of conditions and the following disclaimer in the documentation and/or other materials provided with the distribution.
3. Neither the name(s) of the above-listed copyright holder(s) nor the names of its contributors may be used to endorse or promote products derived from this software without specific prior written permission.

THIS SOFTWARE IS PROVIDED BY THE COPYRIGHT HOLDERS AND CONTRIBUTORS "AS IS" AND ANY EXPRESS OR IMPLIED WARRANTIES, INCLUDING, BUT NOT LIMITED TO, THE IMPLIED WARRANTIES OF MERCHANTABILITY AND FITNESS FOR A PARTICULAR PURPOSE ARE DISCLAIMED. IN NO EVENT SHALL THE COPYRIGHT OWNER OR CONTRIBUTORS BE LIABLE FOR ANY DIRECT, INDIRECT, INCIDENTAL, SPECIAL, EXEMPLARY, OR CONSEQUENTIAL DAMAGES (INCLUDING, BUT NOT LIMITED TO, PROCUREMENT OF SUBSTITUTE GOODS OR SERVICES; LOSS OF USE, DATA, OR PROFITS; OR BUSINESS INTERRUPTION) HOWEVER CAUSED AND ON ANY THEORY OF LIABILITY, WHETHER IN CONTRACT, STRICT LIABILITY, OR TORT (INCLUDING NEGLIGENCE OR OTHERWISE) ARISING IN ANY WAY OUT OF THE USE OF THIS SOFTWARE, EVEN IF ADVISED OF THE POSSIBILITY OF SUCH DAMAGE.

---

## ***Restrictions légales concernant la copie***

Certains types de documents ne doivent jamais être copiés dans le but ou l'intention d'utiliser les copies à la place des originaux.

La liste ci-après, sans être exhaustive, vous donne une indication des documents ne devant en aucun cas être copiés dans toute activité de copie responsable.

### **Documents financiers**

- Chèques personnels
- Chèques de voyage
- Mandats
- Certificats de dépôt
- Cautions ou autres reconnaissances de dette
- Titres

### **Documents légaux**

- Bons alimentaires
- Timbres postaux (oblitérés ou non)
- Chèques ou traites au profit des services publics
- Timbres fiscaux (oblitérés ou non)
- Passeports
- Documents d'immigration
- Certificats d'immatriculation et permis de conduire
- Titres et actes de propriété immobilière et foncière

#### **Documents généraux**

- Cartes d'identité, badges ou insignes
- Copyrights sans autorisation du détenteur des droits d'auteur

En outre, **il est dans tous les cas formellement interdit** de copier des billets de banque nationaux ou étrangers ou des œuvres d'art sans autorisation du détenteur des droits d'auteur.

En cas de doute sur la nature d'un document, consultez votre conseil juridique.

#### **Remarque :**

*Cette machine est dotée d'une fonction de prévention des contrefaçons afin d'empêcher toute copie illicite d'instruments financiers.*

*Nous vous serions obligés de bien vouloir comprendre que les images imprimées peuvent peu fréquemment comporter des données de bruit et d'image qui risquent de ne pas être archivées dans certaines circonstances en raison de cette fonction de prévention des contrefaçons.*

---

## Table des matières

Accord de licence logiciel. . . . .	2
About Adobe Color Profile. . . . .	4
ICC Profile for TOYO INK Standard Color on Coated paper (TOYO Offset Coated 2.1). . . . .	7
DIC STANDARD COLOR PROFILE LICENSE AGREEMENT. . . . .	8
OpenSSL Statement. . . . .	11
LICENSE ISSUES. . . . .	11
Original SSLeay License. . . . .	12
NetSNMP License. . . . .	14
Part 1: CMU/UCD copyright notice: (BSD like). . . . .	14
Part 2: Networks Associates Technology, Inc copyright notice (BSD). . . . .	14
Part 3: Cambridge Broadband Ltd. copyright notice (BSD). . . . .	15
Part 4: Sun Microsystems, Inc. copyright notice (BSD). . . . .	16
Part 5: Sparta, Inc copyright notice (BSD). . . . .	16
Part 6: Cisco/BUPTNIC copyright notice (BSD). . . . .	17
Kerberos. . . . .	18
WPA Supplicant. . . . .	21
Restrictions légales concernant la copie. . . . .	22

### Chapitre 1 **Introduction**

---

Présentation de la machine. . . . .	30
Espace requis. . . . .	30
Noms des pièces. . . . .	31
Software Disc. . . . .	34
Pilotes PostScript/Pilotes PCL. . . . .	34
Pilotes de l'imprimante (fichiers PPD). . . . .	34
Pilotes du scanner. . . . .	35
Pilotes PC Fax (Epson AcuLaser CX37DNF uniquement). . . . .	35
Applications. . . . .	36
Documentation. . . . .	36
Configuration requise. . . . .	36



## Chapitre 2 **Panneau de commande et menu de configuration**

---

Présentation du panneau de commande. . . . .	38
Voyants et touches du panneau de commande. . . . .	39
Indications de l'écran. . . . .	40
Vérification de l'état et des paramètres de la machine. . . . .	47
TONER REMAINING (Toner restant). . . . .	47
Menu REPORT/STATUS (Rapport/Etat). . . . .	47
Présentation du menu Configuration. . . . .	49
Menu UTILITY (Utilitaire). . . . .	50
Menu PS/PCL PRINT (impression PS/PCL). . . . .	72
Menu PROOF/PRINT (Verif/Impr). . . . .	72
Menu PAPER (Papier). . . . .	73
Menu QUALITY (Qualité). . . . .	75
Menu SYS DEFAULT (Defaut Sys.). . . . .	89
Menu MEMORY PRINT (impress. memoire). . . . .	94

## Chapitre 3 **Gestion des supports**

---

Supports d'impression. . . . .	98
Spécifications. . . . .	98
Types de support. . . . .	99
Surface imageable (imprimable) garantie. . . . .	108
Chargement des supports. . . . .	109
Bac 1 (alimentation manuelle). . . . .	110
Bac 2. . . . .	113
Chargeur papier de 500 feuilles (Bac 3). . . . .	116
Recto-verso. . . . .	118
Bac de sortie. . . . .	120
Stockage des supports. . . . .	120
Supports originaux. . . . .	121
Spécifications. . . . .	121
Chargement d'un document. . . . .	122
Placement d'un document sur la vitre d'exposition. . . . .	122
Chargement d'un document dans le chargeur ADF. . . . .	124

## Chapitre 4 **Utilisation du pilote de l'imprimante**

---

Sélection des options/valeurs par défaut du pilote (Windows). . . . .	125
---	-----

Désinstallation du pilote de l'imprimante (Windows).....	126
Paramètres du pilote de l'imprimante.....	126
Boutons communs.....	126
Onglet Avancé (Pilote de l'imprimante PostScript uniquement).....	128
My Tab.....	129
Onglet Basic (Standard).....	129
Onglet Layout (Mise en page).....	130
Onglet Cover Page (Paramétrage par page).....	130
Onglet Watermark/Overlay (Filigrane/Calque).....	131
Onglet Quality (Qualité).....	132
Onglet Other (Autres).....	132
Limitations des fonctions du pilote de l'imprimante installées avec Point and Print.....	133

## Chapitre 5 **Mémoire directe**

---

Mémoire directe.....	134
Impression à partir d'un périphérique mémoire USB connecté.....	134

## Chapitre 6 **Utilisation du copieur**

---

Fonctions de copie de base.....	136
Opérations de copie de base.....	136
Définition de la qualité de copie.....	137
Définition du taux de zoom.....	139
Sélection du bac support.....	139
Fonctions de copie avancées.....	140
Définition de la copie 2en1/4en1.....	140
Définition d'une fonction de copie.....	141
Définition de la copie recto-verso.....	145
Définition de copies triées.....	148

## Chapitre 7 **Utilisation du scanner**

---

Numérisation depuis une application sur PC.....	149
Opérations de numérisation de base.....	149
Paramètres du pilote TWAIN pour Windows.....	150
Paramètres du pilote WIA pour Windows.....	152
Paramètres du pilote TWAIN pour Macintosh.....	153

Numérisation à partir de la machine. . . . .	156
Opérations de numérisation de base. . . . .	156
Définition de la destination des données. . . . .	158
Spécification d'une adresse de destination (Scan vers E-mail/FTP/SMB). . . . .	158
Enregistrement/Modification d'adresses. . . . .	168
Sélection du format de données. . . . .	176
Sélection de la qualité de numérisation. . . . .	177
Définition de la numérisation recto-verso. . . . .	178
Définition du format de numérisation. . . . .	179
Définition de la couleur de numérisation. . . . .	179
Spécification de l'objet. . . . .	180
Suppression d'un travail de transmission en attente. . . . .	180

## **Chapitre 8 Remplacement des consommables et des pièces d'entretien**

---

A propos des cartouches de toner. . . . .	182
Remplacement d'une cartouche de toner. . . . .	184
Remplacement d'un bloc photoconducteur. . . . .	189
Remplacement du réceptacle de toner usagé (0595). . . . .	196
Remplacement de l'unité de fixation (3041/3042). . . . .	199

## **Chapitre 9 Entretien**

---

Entretien de la machine. . . . .	205
Nettoyage de la machine. . . . .	207
Extérieur. . . . .	207
Rouleaux d'entraînement papier. . . . .	208
Nettoyage des lentilles laser. . . . .	213

## **Chapitre 10 Résolution de problèmes**

---

Impression d'une page de configuration. . . . .	219
Prévention des bourrages papier. . . . .	219
Suppression des bourrages papier . . . . .	220
Messages de bourrage et procédures correctives. . . . .	220
Résolution des problèmes de bourrage papier. . . . .	237
Résolution d'autres problèmes. . . . .	240
Résolution des problèmes de qualité. . . . .	244

Messages d'état, d'erreur et de service. . . . .	249
Messages d'état. . . . .	250
Messages d'erreur. . . . .	251
Messages de service. . . . .	256

## **Chapitre 11 Installation d'accessoires**

---

Introduction. . . . .	257
Protection antistatique. . . . .	257
Module de mémoire DIMM. . . . .	258
Installation d'un module DIMM. . . . .	258
Lecteur de disque dur (C12C824511). . . . .	260
Installation du lecteur de disque dur. . . . .	260
Chargeur papier de 500 feuilles (C12C802651). . . . .	262
Installation d'un chargeur papier de 500 feuilles. . . . .	263

## **Annexe A Annexe**

---

Spécifications techniques. . . . .	266
------------------------------------	-----

## **Annexe B Pour plus d'informations**

---

Contacter le service assistance Epson. . . . .	269
Avant de contacter Epson. . . . .	269
Aide destinée aux utilisateurs d'Amérique du Nord. . . . .	269
Aide destinée aux utilisateurs d'Amérique latine. . . . .	270
Aide destinée aux utilisateurs en Europe. . . . .	271
Aide destinée aux utilisateurs à Taïwan. . . . .	271
Aide destinée aux utilisateurs en Australie. . . . .	272
Aide destinée aux utilisateurs à Singapour. . . . .	273
Aide destinée aux utilisateurs en Thaïlande. . . . .	274
Aide destinée aux utilisateurs au Viêt Nam. . . . .	274
Aide destinée aux utilisateurs en Indonésie. . . . .	275
Aide destinée aux utilisateurs à Hong Kong. . . . .	276
Aide destinée aux utilisateurs en Malaisie. . . . .	277
Aide destinée aux utilisateurs en Inde. . . . .	277
Aide destinée aux utilisateurs aux Philippines. . . . .	279

***Index***

---

## Chapitre 1

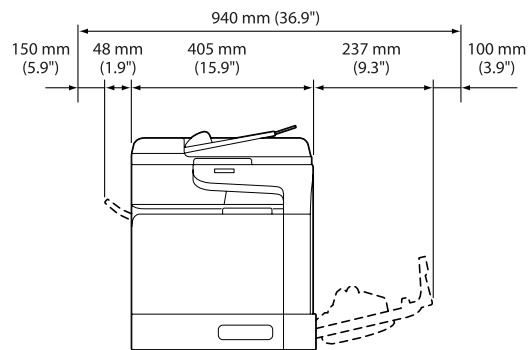
### Introduction

### Présentation de la machine

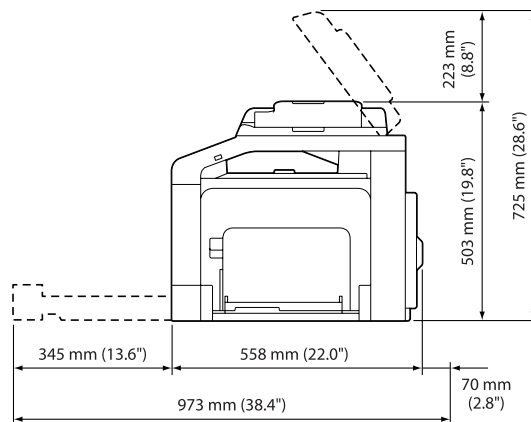
#### Espace requis

Pour permettre une utilisation aisée de l'imprimante et faciliter les opérations de remplacement des consommables et d'entretien, veuillez respecter les indications d'espace requis détaillées ci-dessous.

#### Vue avant



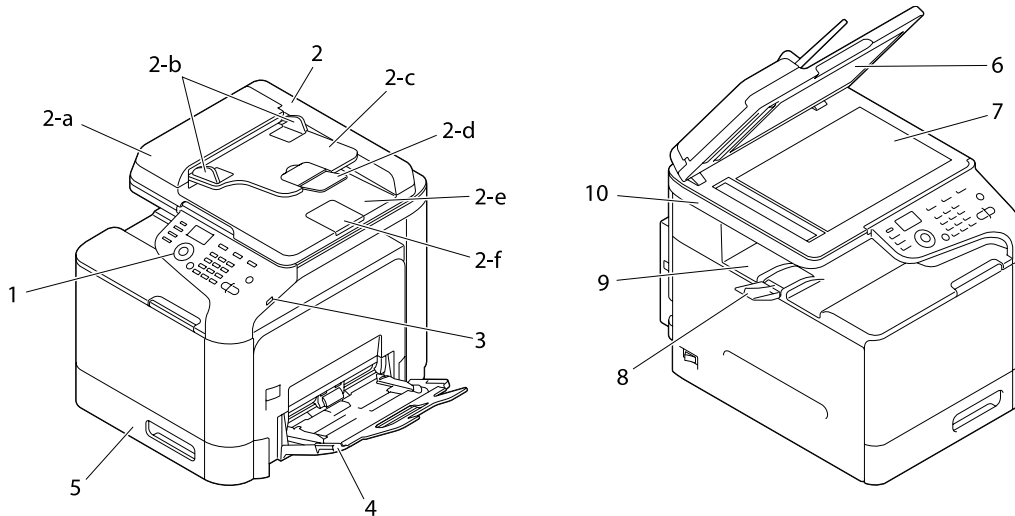
#### Vue de côté



## Noms des pièces

Les illustrations utilisées dans ce manuel représentent le modèle Epson AcuLaser CX37DNF.

### Vue avant



1- Panneau de commande

2- Chargeur automatique de documents (ADF)

2-a Capot du chargeur ADF

2-b Guides latéraux

2-c Plateau d'introduction

2-d Rallonge du bac de sortie

2-e Plateau de réception

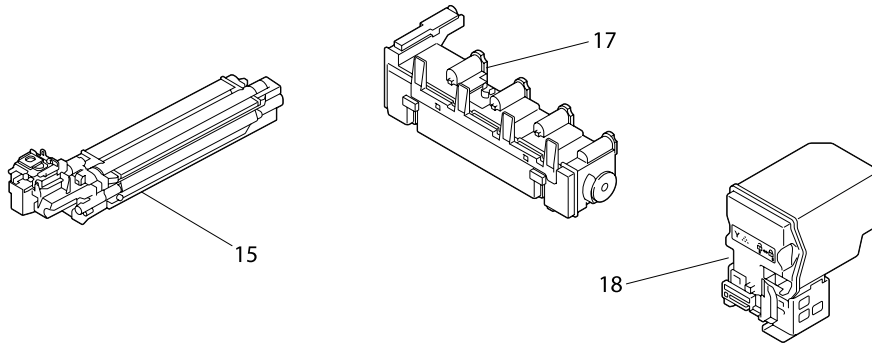
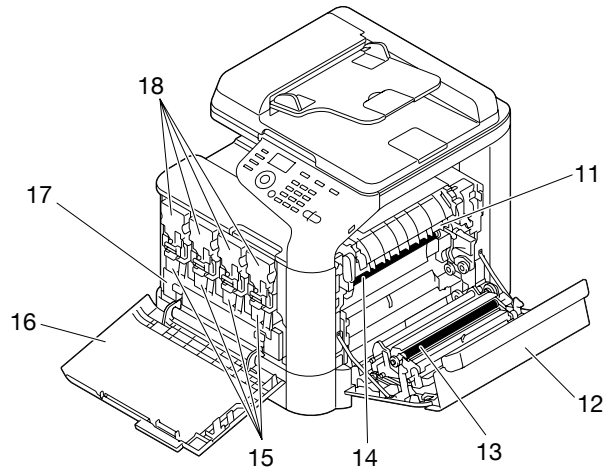
2-f Butée des documents

#### Remarque :

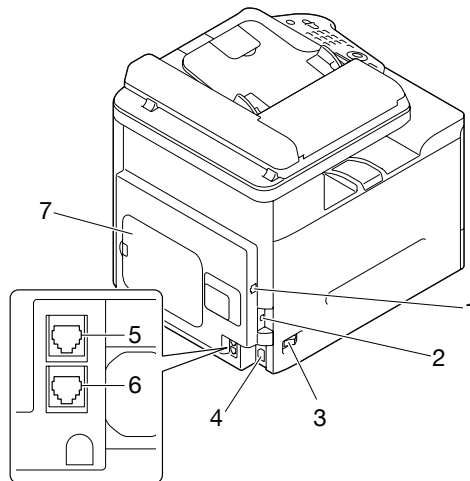
- Dans certains messages d'état ou d'erreur, l'expression « capot doc. » fait référence au chargeur ADF.
- Pour numériser un document au format Legal via le chargeur ADF, abaissez la butée des documents.

- 3- PORT HOTE USB
- 4- Bac 1 (alimentation manuelle)
- 5- Bac 2
- 6- Tapis du couvercle de la vitre d'exposition
- 7- Vitre d'exposition
- 8- Rallonge du bac de sortie
- 9- Bac de sortie
- 10- Scanner
- 11- Unité de fixation
- 12- Capot droit
- 13- Rouleau de transfert
- 14- Unité de courroie de transfert
- 15- Bloc(s) photoconducteur(s)
- 16- Capot avant
- 17- Réceptacle de toner usagé
- 18- Cartouche(s) de toner





**Vue arrière**



1- Port d'interface Ethernet 10Base-T/100Base-TX/1000Base-T (IEEE 802.3)

- 2- Port USB
- 3- Interrupteur Marche/Arrêt
- 4- Prise d'alimentation
- 5- Prise LINE (ligne téléphonique) (Epson AcuLaser CX37DNF uniquement)
- 6- Prise TEL (ligne téléphonique) (Epson AcuLaser CX37DNF uniquement)
- 7- Capot arrière

---

## Software Disc

### Pilotes PostScript/Pilotes PCL

Pilotes	Utilisation/Avantage
Windows XP/Vista/7/Server 2003/Server 2008 (32 bits)	Ces pilotes vous permettent d'accéder à toutes les fonctions de l'imprimante, y compris les fonctions de finition et de mise en page avancée. Pour plus d'informations, voir « Paramètres du pilote de l'imprimante » à la page 126.
Windows XP/Vista/7/Server 2003/Server 2008/Server 2008 R2 (64 bits)	

### Pilotes de l'imprimante (fichiers PPD)

Pilotes	Utilisation/Avantage
Mac OS X (10.3/10.4/10.5/10.6)	Ces fichiers sont requis pour utiliser le pilote de l'imprimante avec chaque système d'exploitation.  Pour plus d'informations sur le pilote de l'imprimante pour Linux, consultez le Reference Guide (Guide de Référence).
Red Hat Enterprise Linux 5 Desktop, SUSE Linux Enterprise Desktop 10	

## Pilotes du scanner

Pilotes	Utilisation/Avantage
Pilote TWAIN pour Windows XP/Vista/7/Server 2003/Server 2008 (32 bits)	Ces pilotes vous permettent de définir des fonctions de numérisation (par exemple des paramètres relatifs à la couleur et au format).  Pour plus d'informations, voir « Paramètres du pilote TWAIN pour Windows » à la page 150.
Pilote TWAIN pour Windows XP/Vista/7/Server 2003/Server 2008/Server 2008 R2 (64 bits)	
Pilote TWAIN pour Mac OS X 10.3/10.4/10.5/10.6	
Pilote WIA pour Windows XP/Vista/7/Server 2003/Server 2008 (32 bits)	Ce pilote vous permet de définir des fonctions de numérisation (par exemple des paramètres relatifs à la couleur et au format).  Pour plus d'informations, voir « Paramètres du pilote WIA pour Windows » à la page 152.
Pilote WIA pour Windows XP/Vista/7/Server 2003/Server 2008/Server 2008 R2 (64 bits)	

### Remarque :

*Le pilote TWAIN pour Windows ne correspond pas à une application 64 bits mais à une application 32 bits sur système d'exploitation 64 bits.*

## Pilotes PC Fax (Epson AcuLaser CX37DNF uniquement)

Pilotes	Utilisation/Avantage
Windows XP/Vista/7/Server 2003/Server 2008	Ces pilotes vous permettent de définir des paramètres de fax, entre autres pour l'envoi de fax et pour modifier le carnet d'adresses. Pour plus d'informations, voir le Facsimile User's Guide (Guide d'utilisation Télécopieur).
Windows XP/Vista/7/Server 2003/Server 2008/Server 2008 R2 (64 bits)	

### Remarque :

*Pour des détails sur les pilotes Linux, consultez le Reference Guide (Guide de Référence).*

## Applications

Applications	Utilisation/Avantage
Local Setup Program (Epson AcuLaser CX37DNF uniquement)	<p>Ce logiciel vous permet de créer des destinations (de numérisation et de fax) dans la liste du carnet d'adresses, en numérotation abrégée et numérotation groupée, et de les modifier à partir de votre ordinateur. Vous pouvez également contrôler l'état de la machine.</p> <p>Pour plus d'informations, voir le Reference Guide (Guide de Référence).</p>

## Documentation

Documentation	Utilisation/Avantage
Setup Guide (Guide d'installation)	Ce manuel décrit les opérations d'installation à effectuer avant de pouvoir utiliser la machine, notamment la configuration de la machine et l'installation des pilotes.
Printer/Copier/Scanner User's Guide (Guide d'utilisation Imprimante / Copieur / Scanner) (ce manuel)	Ce manuel décrit comment effectuer des opérations courantes, telles que l'utilisation des pilotes et du panneau de commande et le remplacement de consommables.
Facsimile User's Guide (Guide d'utilisation Télécopieur) (Epson AcuLaser CX37DNF uniquement)	Ce manuel décrit comment effectuer des opérations de fax courantes, telles que l'envoi et la réception de fax et l'utilisation du panneau de commande.
Reference Guide (Guide de Référence)	Ce manuel décrit comment installer les pilotes Macintosh et Linux et définir les paramètres pour le réseau et l'utilitaire de gestion d'impression.

## Configuration requise

- Ordinateur
  - Pentium II : 400 MHz ou supérieur
  - PowerPC G3 ou ultérieur (G4 ou ultérieur recommandé)
  - Macintosh équipé d'un processeur Intel
- Système d'exploitation

Microsoft Windows

Windows 7	Edition Familiale Basique/Edition Familiale Premium/Professionnel/Edition Intégrale Edition Familiale Basique/Edition Familiale Premium/Professionnel/Edition Intégrale 64 bits
Windows Vista	Edition Familiale Basique/Edition Familiale Premium/Edition Intégrale/Professionnel/Entreprise Edition Familiale Basique/Edition Familiale Premium/Edition Intégrale/Professionnel/Entreprise Edition x64
Windows XP	Edition Familiale/Professionnel (Service Pack 2 ou ultérieur) Professionnel Edition x64
Windows Server 2008 R2	Standard/Entreprise
Windows Server 2008	Standard/Entreprise Standard/Entreprise Edition x64
Windows Server 2003	Standard/Entreprise Standard/Entreprise Edition x64

Mac OS X (10.3.9 ou ultérieur ; il est recommandé d'installer le dernier correctif)

RedHat Enterprise Linux 5 Desktop, SUSE Linux Enterprise Desktop 10

Espace disque dur disponible  
256 Mo ou plus

Mémoire RAM  
128 Mo ou plus

Lecteur de CD/DVD

Interface E/S

Port d'interface Ethernet 10Base-T/100Base-TX/1000Base-T (IEEE 802.3)

Port compatible USB 2.0 haute vitesse

**Remarque :**

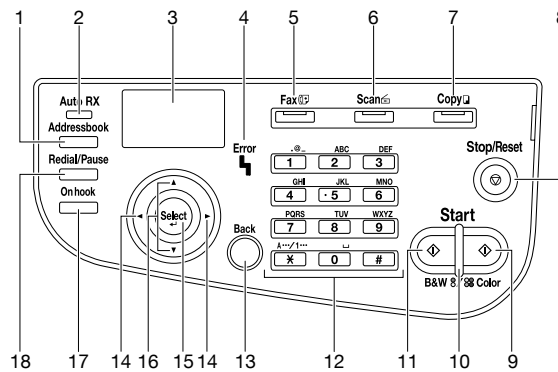
*Pour des détails sur les pilotes Linux, consultez le Reference Guide (Guide de Référence).*

## Chapitre 2

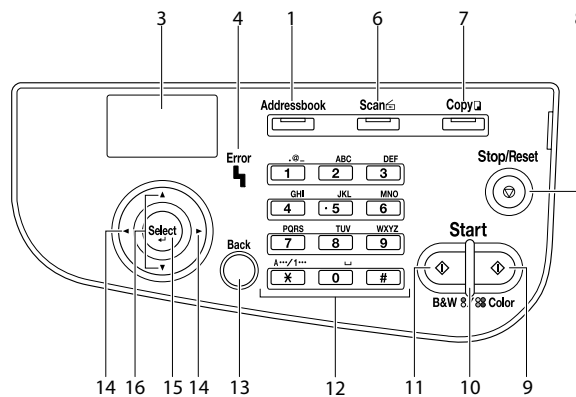
# Panneau de commande et menu de configuration

## Présentation du panneau de commande

### Epson AcuLaser CX37DNF



### Epson AcuLaser CX37DN



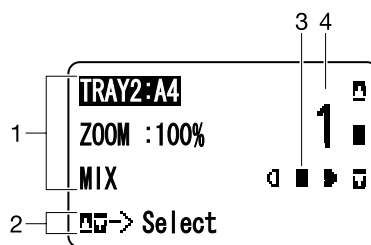
## Voyants et touches du panneau de commande

N°	Nom de la pièce	Description
1	Touche <b>Addressbook (Carnet d'adresses)</b>	<ul style="list-style-type: none"> <li><input type="checkbox"/> Pour Epson AcuLaser CX37DNF, affiche les informations enregistrées dans la liste du carnet d'adresses, ainsi que les destinations en numérotation abrégée et groupée.</li> <li><input type="checkbox"/> Pour Epson AcuLaser CX37DN, affiche les informations enregistrées dans la liste du carnet d'adresses, ainsi que dans les listes adresses et groupes.</li> <li><input type="checkbox"/> Pour plus d'informations, voir « Spécification d'une adresse de destination (Scan vers E-mail/FTP/SMB) » à la page 158.</li> </ul>
2	Voyant <b>Auto RX (RX Auto)</b> (Epson AcuLaser CX37DNF uniquement)	<ul style="list-style-type: none"> <li><input type="checkbox"/> S'allume lorsque la fonction de réception automatique est activée.</li> <li><input type="checkbox"/> Pour plus d'informations, voir le Facsimile User's Guide (Guide d'utilisation Télécopieur).</li> </ul>
3	Ecran des messages	Affiche les paramètres, les menus et les messages.
4	Voyant <b>Error (Erreur)</b>	<ul style="list-style-type: none"> <li><input type="checkbox"/> Indique une erreur.</li> <li><input type="checkbox"/> Pour plus d'informations, voir « Messages d'erreur » à la page 251.</li> </ul>
5	Touche/témoin <b>Fax</b> (Epson AcuLaser CX37DNF uniquement)	<ul style="list-style-type: none"> <li><input type="checkbox"/> Passe en mode Fax.</li> <li><input type="checkbox"/> S'éclaire en vert pour indiquer que la machine est en mode Fax.</li> <li><input type="checkbox"/> Pour plus d'informations, voir le Facsimile User's Guide (Guide d'utilisation Télécopieur).</li> </ul>
6	Touche/témoin <b>Scan</b>	<ul style="list-style-type: none"> <li><input type="checkbox"/> Passe en mode Numérisation.</li> <li><input type="checkbox"/> S'éclaire en vert pour indiquer que la machine est en mode Numérisation.</li> <li><input type="checkbox"/> Pour plus d'informations sur les fonctions de numérisation, voir « Utilisation du scanner » à la page 149.</li> </ul>
7	Touche/témoin <b>Copy (Copie)</b>	<ul style="list-style-type: none"> <li><input type="checkbox"/> Passe en mode Copie.</li> <li><input type="checkbox"/> S'éclaire en vert pour indiquer que la machine est en mode Copie.</li> <li><input type="checkbox"/> Pour plus d'informations sur les fonctions de copie, voir « Utilisation du copieur » à la page 136.</li> </ul>
8	Touche <b>Stop/Reset (Stop/RàZ)</b>	Restaure les paramètres par défaut et arrête les fonctions.
9	Touche <b>Start (Color) (Départ (Couleur))</b>	Lance une copie, une numérisation ou un fax couleur (Epson AcuLaser CX37DNF uniquement).
10	Voyant <b>Start (Départ)</b>	<ul style="list-style-type: none"> <li><input type="checkbox"/> S'éclaire en bleu pour indiquer qu'il est possible de copier et de faxer (Epson AcuLaser CX37DNF uniquement).</li> <li><input type="checkbox"/> S'éclaire en orange pour indiquer qu'il n'est pas possible de copier ou de faxer (Epson AcuLaser CX37DNF uniquement), par exemple, lors du préchauffage ou en cas d'erreur.</li> </ul>

N°	Nom de la pièce	Description
11	Touche <b>Start (B&amp;W) (Départ (N&amp;B))</b>	Lance une copie, une numérisation ou un fax monochrome (Epson AcuLaser CX37DNF uniquement).
12	Clavier	<input type="checkbox"/> Permet d'entrer le nombre de copies désiré. <input type="checkbox"/> Permet d'entrer les numéros de fax (Epson AcuLaser CX37DNF uniquement), les adresses e-mail et les noms des destinataires.
13	Touche <b>Back (Retour)</b>	<input type="checkbox"/> Efface le nombre de copies spécifié et le texte entré. <input type="checkbox"/> Revient à l'écran précédent. <input type="checkbox"/> Annule le paramètre actuellement affiché.
14	Touches ◀▶	Fait défiler les menus, les options ou les choix vers la gauche ou vers la droite.
15	Touche <b>Select</b>	Sélectionne le paramètre actuellement affiché.
16	Touches ▲/▼	Fait défiler les menus, les options ou les choix vers le haut ou vers le bas.
17	Touche <b>On hook (Raccroché)</b> (Epson AcuLaser CX37DNF uniquement)	<input type="checkbox"/> Envoie et reçoit des transmissions avec le combiné raccroché. <input type="checkbox"/> Pour plus d'informations, voir le Facsimile User's Guide (Guide d'utilisation Télécopieur).
18	Touche <b>Redial/Pause (Renum./Pause)</b> (Epson AcuLaser CX37DNF uniquement)	<input type="checkbox"/> Rappelle le dernier numéro composé. <input type="checkbox"/> Marque une pause dans la composition d'un numéro. <input type="checkbox"/> Pour plus d'informations, voir le Facsimile User's Guide (Guide d'utilisation Télécopieur).

## Indications de l'écran

### Ecran principal (Mode Copie)

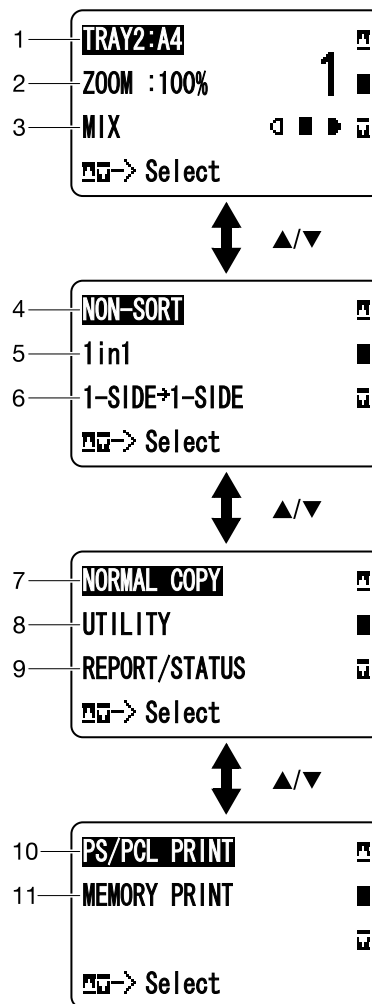


N°	Indication	Description
1	Paramètres de copie	Permet de vérifier les paramètres actuels et de les modifier. Pour plus d'informations, voir « Paramètres de copie » à la page 41.

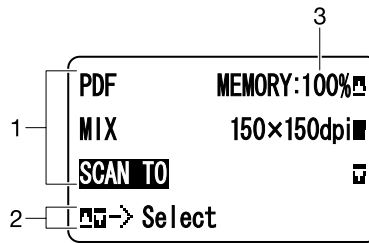


N°	Indication	Description
2	Etat	Suivant le cas, l'état de la machine ou un message d'erreur peut s'afficher.
3	Densité de copie	Indique la densité de copie. AUTO (Autom.) s'affiche si DENSITY (Densité) a la valeur AUTO (Autom.) et que le mode de copie TEXT (Texte) est sélectionné.
4	Nombre de copies	Indique le nombre de copies.

### Paramètres de copie

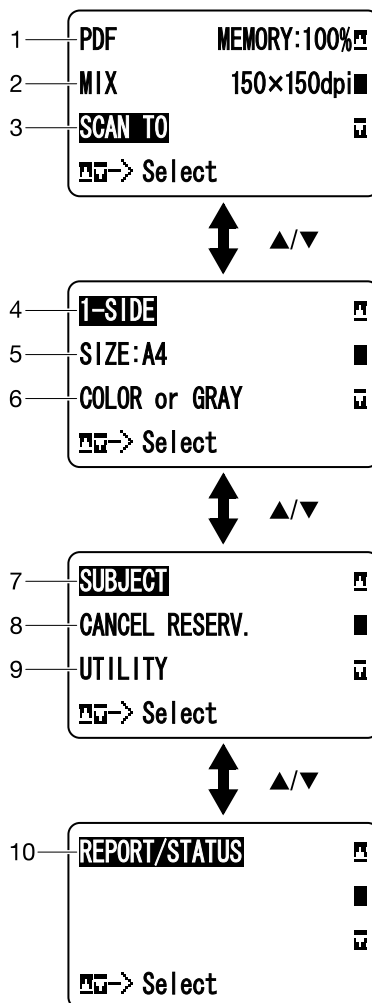


N°	Indication	Description
1	Bac support	Indique le bac support sélectionné. Pour plus d'informations sur la sélection du bac support, voir « Sélection du bac support » à la page 139.
2	Taux de zoom	Indique le taux de zoom spécifié. Pour plus d'informations sur la spécification d'un zoom, voir « Définition du taux de zoom » à la page 139.
3	Qualité de copie	Indique la qualité de copie sélectionnée. Pour plus d'informations sur la sélection de la qualité de copie, voir « Définition de la qualité de copie » à la page 137.
4	Copies triées	Indique si les copies triées sont ou non sélectionnées. Pour plus d'informations sur la sélection de copies triées, voir « Définition de copies triées » à la page 148.
5	Copie 2en1/4en1	Indique si la copie 2en1/4en1 est ou non sélectionnée. Pour plus d'informations sur la sélection de la copie 2en1/4en1, voir « Définition de la copie 2en1/4en1 » à la page 140.
6	Copie recto-verso/recto seul	Indique si la copie recto-verso/recto seul est ou non sélectionnée. Pour plus d'informations sur la copie recto-verso/recto seul, voir « Définition de la copie recto-verso » à la page 145.
7	Fonction de copie	Indique la fonction de copie définie. Pour plus d'informations sur la définition d'une fonction de copie, voir « Définition d'une fonction de copie » à la page 141.
8	UTILITY (Utilitaire)	Sélectionnez cette option de menu pour modifier les divers paramètres de la machine. Pour plus d'informations, voir « Menu UTILITY (Utilitaire) » à la page 50.
9	REPORT/STATUS (Rap- port/Etat)	Sélectionnez cette option de menu pour afficher le nombre total de pages imprimées par la machine et imprimer les rapports. Pour plus d'informations, voir « Menu REPORT/STATUS (Rapport/Etat) » à la page 47.
10	PS/PCL PRINT (im- pression PS/PCL)	Sélectionnez cette option de menu pour imprimer ou supprimer des travaux stockés sur le disque dur (en option) de la machine et pour modifier les paramètres d'impression PS/PCL. Pour plus d'informations, voir « Menu PS/PCL PRINT (impression PS/PCL) » à la page 72.
11	MEMORY PRINT (im- press. memoire)	Sélectionnez cette option de menu pour lancer des impressions directement à partir de la mémoire et définir les paramètres pour ces impressions. Pour plus d'informations, voir « Menu MEMORY PRINT (impress. memoire) » à la page 94.  <b>Remarque :</b> Cette option de menu n'apparaît que si un disque dur optionnel est installé.

**Ecran principal (Mode Numérisation)**

N°	Indication	Description
1	Paramètres de numérisation	Permet de vérifier les paramètres actuels et de les modifier. Pour plus d'informations, voir « Paramètres de numérisation » à la page 44.
2	Etat	Suivant le cas, l'état de la machine ou un message d'erreur peut s'afficher.
3	Mémoire disponible	Indique le pourcentage de mémoire disponible pour les opérations de numérisation (Epson AcuLaser CX37DNF uniquement).

## Paramètres de numérisation



N°	Indication	Description
1	Format de données	Indique le format de données sélectionné. Pour plus d'informations sur la sélection du format de données, voir « Sélection du format de données » à la page 176.
2	Qualité de numérisation	Indique la qualité de numérisation sélectionnée. Pour plus d'informations sur la sélection de la qualité de numérisation, voir « Sélection de la qualité de numérisation » à la page 177.

N°	Indication	Description
3	Destination de données numérisées	Indique la destination spécifiée pour les données numérisées. Pour plus d'informations sur la spécification de la destination des données, voir « Définition de la destination des données » à la page 158 et « Spécification d'une adresse de destination (Scan vers E-mail/FTP/SMB) » à la page 158.  <b>Remarque :</b> Si aucune destination n'a été spécifiée, SCAN TO (Scan A) s'affiche.
4	Numérisation recto seul/recto-verso	Indique si la numérisation recto-verso/recto seul est ou non sélectionnée. Pour plus d'informations sur la numérisation recto-verso/recto seul, voir « Définition de la numérisation recto-verso » à la page 178.
5	Format de numérisation	Indique le format de numérisation sélectionné. Pour plus d'informations sur la sélection du format de numérisation, voir « Définition du format de numérisation » à la page 179.
6	Couleur de numérisation	Indique la couleur de numérisation sélectionnée. Pour plus d'informations sur la sélection de la couleur de numérisation, voir « Définition de la couleur de numérisation » à la page 179.
7	SUBJECT (sujet)	Sélectionnez cette option de menu pour spécifier l'objet. Pour plus d'informations sur la spécification de l'objet, voir « Spécification de l'objet » à la page 180.  <b>Remarque :</b> Cette option n'apparaît pas si la destination spécifiée est une adresse FTP ou SMB.
8	CANCEL RESERV. (Annuler Réserv.)	Sélectionnez cette option de menu pour afficher la liste des travaux en attente de transmission et supprimer un travail. Pour plus d'informations, voir « Suppression d'un travail de transmission en attente » à la page 180.  <b>Remarque :</b> Cette option n'apparaît pas si la destination spécifiée est une adresse e-mail, FTP ou SMB.
9	UTILITY (Utilitaire)	Sélectionnez cette option de menu pour modifier les divers paramètres de la machine. Pour plus d'informations, voir « Menu UTILITY (Utilitaire) » à la page 50.  <b>Remarque :</b> Cette option n'apparaît pas si la destination spécifiée est une adresse e-mail, FTP ou SMB.
10	REPORT/STATUS (Rapport/Etat)	Sélectionnez cette option de menu pour afficher le nombre total de pages imprimées par la machine et les résultats des transmissions/réceptions de fax (Epson AcuLaser CX37DNF uniquement) ainsi que pour imprimer des rapports. Pour plus d'informations, voir « Menu REPORT/STATUS (Rapport/Etat) » à la page 47.  <b>Remarque :</b> Cette option n'apparaît pas si la destination spécifiée est une adresse e-mail, FTP ou SMB.

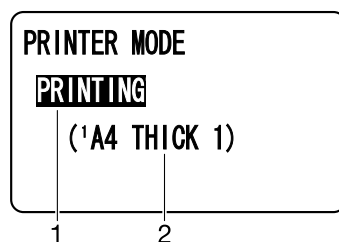
## Ecran principal (Mode Numérisation) (Epson AcuLaser CX37DNF uniquement)

Pour plus d'informations, voir le Facsimile User's Guide (Guide d'utilisation Télécopieur).

### Ecran Impression

Quand la machine reçoit un travail d'impression, l'indication **PRINTER: Printing** (Imprimante: Impress.) apparaît dans la section Etat de l'écran principal. Pour afficher l'écran Impression (comme représenté ci-dessous), appuyez sur la touche ◀ lorsque **PRINTER: Printing** (Imprimante: Impress.) est affiché.

Pour annuler l'impression, appuyez sur la touche **Stop/Reset (Stop/RàZ)** lorsque cet écran s'affiche. Appuyez sur la touche **Select** pour sélectionner **YES** (Oui).

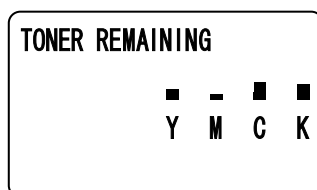


N°	Indication	Description
1	Etat	Affiche des messages indiquant une opération telle qu'une impression.
2	Bac support/Format du support	Affiche les informations d'impression (bac support, format et type du support). <b>Remarque :</b> Cette option n'apparaît pas si le type de support <b>PLAIN PAPER</b> (Papier standard) ou <b>RECYCLED</b> (Recycle) est sélectionné.

## Vérification de l'état et des paramètres de la machine

### TONER REMAINING (Toner restant)

Lorsque l'écran principal est affiché, appuyez sur la touche ◀ pour afficher l'écran TONER REMAINING (Toner restant). Vous pouvez alors voir une estimation générale de la quantité de toner restante dans les cartouches de toner.



Pour revenir à l'écran principal, appuyez sur la touche **Back (Retour)**.

**Remarque :**

Pour imprimer la page de configuration, maintenez la touche **Select** enfoncée pendant 2 secondes lorsque l'écran ci-dessus est affiché.

### Menu REPORT/STATUS (Rapport/Etat)

Pour afficher l'écran REPORT/STATUS (Rapport/Etat), sélectionnez REPORT/STATUS (Rapport/Etat) sur l'écran principal, et appuyez sur la touche **Select**. Dans ce menu, vous pouvez afficher le nombre total de pages imprimées par la machine ainsi que la quantité restante de consommables. Ces rapports peuvent aussi être imprimés.

**Remarque :**

Pour revenir à l'écran précédent, appuyez sur la touche **Back (Retour)**. Pour afficher l'écran principal, appuyez sur la touche **Stop/Reset (Stop/RàZ)**.

### TOTAL PRINT (total Imp.)

Vous pouvez vérifier le nombre total de pages pour chacun des travaux suivants.

TOTAL PRINT (total imp.)	Ce compteur indique le nombre total de pages imprimées.
MONO COPY (Copie N/B)	Ce compteur indique le nombre total de pages copiées en noir et blanc.

COLOR COPY (Copie coul.)	Ce compteur indique le nombre total de pages copiées en couleur.
MONO PRINT (Impres. N/B)	Ce compteur indique le nombre total de pages imprimées en noir et blanc.
COLOR PRINT (Impr. Couleur)	Ce compteur indique le nombre total de pages imprimées en couleur.
FAX PRINT (Faxer Impr.) (Epson AcuLaser CX37DNF uniquement)	Ce compteur indique le nombre total de pages envoyées par fax.
TOTAL SCAN (Scan total)	Ce compteur indique le nombre total de pages de document numérisées.

### **SUPPLY STATUS (etat consomm.)**

Vous pouvez afficher la quantité de toner restant dans les cartouches et la durée de vie restante des blocs photoconducteur sous forme de pourcentage.

C TONER (Toner C)	Affiche le pourcentage de toner restant dans la cartouche de toner cyan (C).
M TONER (Toner M)	Affiche le pourcentage de toner restant dans la cartouche de toner magenta (M).
Y TONER (Toner Y)	Affiche le pourcentage de toner restant dans la cartouche de toner jaune (Y).
K TONER (Toner K)	Affiche le pourcentage de toner restant dans la cartouche de toner noir (K).
C P/U (U/P C)	Affiche le pourcentage de durée de vie restante du bloc photoconducteur cyan (C).
M P/U (U/P M)	Affiche le pourcentage de durée de vie restante du bloc photoconducteur magenta (M).
Y P/U (U/P J)	Affiche le pourcentage de durée de vie restante du bloc photoconducteur jaune (Y).
K P/U (U/P N)	Affiche le pourcentage de durée de vie restante du bloc photoconducteur noir (K).

#### **Remarque :**

*Les quantités restantes signalées par l'état des consommables peuvent être différentes des quantités réelles et ne doivent être utilisées qu'à titre indicatif.*

### **TX/RX RESULT (Result. TX/RX) (Epson AcuLaser CX37DNF uniquement)**

Pour plus d'informations, voir le Facsimile User's Guide (Guide d'utilisation Télécopieur).



## REPORT (Rapport)

Pour Epson AcuLaser CX37DNF, voir le Facsimile User's Guide (Guide d'utilisation Télécopieur) pour plus d'informations sur les opérations de télécopie.

TX RESULT REPORT (Rapport Envoi)	Imprime les résultats des transmissions de numérisation/fax.
RX RESULT REPORT (Rapport Recu) (Epson AcuLaser CX37DNF uniquement)	Imprime les résultats des réceptions de fax.
ACTIVITY REPORT (Rapport Activite) (Epson AcuLaser CX37DNF uniquement)	Imprime les résultats des transmissions et des réceptions de fax.
MEMORY DATA LIST (Liste Donn. Memo.) (Epson AcuLaser CX37DNF uniquement)	Imprime les informations concernant les transmissions de fax en attente.
MEMORY IMAGE PRINT (Impres. Image Mém.) (Epson AcuLaser CX37DNF uniquement)	Imprime les données et une première page réduite des transmissions de fax en attente.
FAVORITE LIST (liste c. adresses)	Imprime les destinations enregistrées dans la liste du carnet d'adresses.
SPEED DIAL LIST (Liste Abrégé) /ADDRESS LIST (Liste adresses)	Imprime les destinations programmées en numérotation abrégée.
GROUP DIAL LIST (Liste Comp. Groupe) / GROUP LIST (Liste des groupes)	Imprime une liste des groupes programmés en numérotation rapide.
UTILITY MAP (Plan Du Utilitaire)	Imprime le menu UTILITY (Utilitaire) et ses paramètres.
PS/PCL MENU MAP (plan menu PS/PCL)	Imprime le menu PS/PCL PRINT (impression PS/PCL) et ses paramètres.
CONFIGURATION PAGE (Page Configuration)	Imprime le pourcentage approximatif de toner restant ainsi que les paramètres définis, l'état et autres informations concernant la machine.
PS FONT LIST (polices PS)	Imprime la liste des polices PostScript.
PCL FONT LIST (polices PCL)	Imprime la liste des polices PCL.
DIRECTORY LIST (liste répertoires)	Imprime la liste des répertoires sur le disque dur.

## Présentation du menu Configuration

Pour afficher le menu des paramètres de la machine, sélectionnez UTILITY (Utilitaire) sur l'écran principal et appuyez sur la touche **Select**. Dans le menu UTILITY (Utilitaire), vous pouvez modifier les paramètres pour les différentes fonctions de la machine.

Vous pouvez également spécifier les paramètres du mode Copie pour l'impression PS/PCL et l'impression directement à partir de la mémoire. Pour plus d'informations, voir « Menu PS/PCL PRINT (impression PS/PCL) » à la page 72 et « Menu MEMORY PRINT (impression mémoire) » à la page 94.

## **Menu UTILITY (Utilitaire)**

Dans ce menu, vous pouvez modifier divers paramètres de la machine.

### **Remarque :**


- ❑ *Pour revenir à l'écran précédent dans le menu UTILITY (Utilitaire), appuyez sur la touche **Back (Retour)**. (Si vous appuyez sur la touche **Back (Retour)** lorsque vous définissez des paramètres, ces derniers ne sont pas enregistrés.)*
- ❑ *Le menu ADMIN. MANAGEMENT (Gestion admin.) n'est accessible qu'à l'administrateur. Pour afficher les paramètres de ce menu, sélectionnez ADMIN. MANAGEMENT (Gestion admin.), entrez le code d'accès Administrateur à 6 chiffres (par défaut : 000000) à l'aide du clavier, puis appuyez sur la touche **Select**.*

## **Menu ACCESSIBILITY (Accessibilité)**

### **Remarque :**

*Les paramètres par défaut définis par le fabricant apparaissent en gras.*

SOUND SETTING (Paramètre son) (Epson AcuLaser CX37DNF uniquement)	DISABLE (Désactiv.)/ENABLE (Activer)		Paramètres	DISABLE (Désactiv.)/ <b>ENABLE (Activer)</b>
	Sélectionnez cette option pour n'émettre aucun son lorsque vous effectuez certaines opérations.			
	CONFIRMATION (Confirmation)* <sup>1</sup>	VALID INPUT (Entrée valide)	Paramètres	OFF (Off) / <b>LOW (Bas)</b> / MIDDLE (Centre) / HIGH (Haut)
		Indiquez si vous souhaitez émettre des sons lorsque vous appuyez sur certaines touches pour saisir des données.		
		INVALID INPUT (Entrée invalide)	Paramètres	OFF (Off) / <b>LOW (Bas)</b> / MIDDLE (Centre) / HIGH (Haut)
	Indiquez si vous souhaitez émettre des sons lorsque vous appuyez sur certaines touches pour saisir des données invalides.			
	BASE INPUT (Entrée de base)	Paramètres	OFF (Off) / <b>LOW (Bas)</b> / MIDDLE (Centre) / HIGH (Haut)	
		Indiquez si vous souhaitez émettre des sons quand la valeur par défaut est sélectionnée lorsque vous faites défiler les paramètres.		
	COMPLETE (Terminé)* <sup>1</sup>	PRINT (Imprimer)	Paramètres	OFF (Off) / <b>LOW (Bas)</b> / MIDDLE (Centre) / HIGH (Haut)
			Indiquez si vous souhaitez émettre des sons lorsqu'une impression s'est déroulée avec succès.	
FAX COMM. (Comm. fax)		Paramètres	OFF (Off) / <b>LOW (Bas)</b> / MIDDLE (Centre) / HIGH (Haut)	
Indiquez si vous souhaitez émettre des sons lorsqu'une communication s'est déroulée avec succès.				
PREPARATION (Préparation)* <sup>1</sup>	Paramètres	OFF (Off) / <b>LOW (Bas)</b> / MIDDLE (Centre) / HIGH (Haut)		
	Sélectionnez cette option pour émettre des sons lorsque les opérations effectuées par la machine sont terminées.			

	CAUTION (Attention)* <sup>1</sup>	LOW CAUTION 1 (Alerte faible 1)	Paramètres	OFF (Off) / <b>LOW (Bas)</b> / MIDDLE (Centre) / HIGH (Haut)
			Indiquez si vous souhaitez émettre des sons lorsqu'un message apparaît sur l'écran des messages et lorsqu'un avertissement signale qu'il est bientôt temps de remplacer des consommables ou une pièce.	
		LOW CAUTION 2 (Alerte faible 2)	Paramètres	OFF (Off) / <b>LOW (Bas)</b> / MIDDLE (Centre) / HIGH (Haut)
			Indiquez si vous souhaitez émettre des sons lorsque l'utilisateur effectue une opération incorrecte.	
		LOW CAUTION 3 (Alerte faible 3)	Paramètres	OFF (Off) / <b>LOW (Bas)</b> / MIDDLE (Centre) / HIGH (Haut)
			Indiquez si vous souhaitez émettre des sons lorsqu'une erreur se produit et peut être corrigée par l'utilisateur en consultant le message qui apparaît ou le Guide d'utilisation.	
		HIGH CAUTION (Alerte important)	Paramètres	OFF (Off) / <b>LOW (Bas)</b> / MIDDLE (Centre) / HIGH (Haut)
			Indiquez si vous souhaitez émettre des sons lorsqu'une erreur se produit et ne peut pas être corrigée par l'utilisateur ou nécessite l'intervention d'un technicien de maintenance.	
LCD CONTRAST (Contraste LCD)		Paramètres	(Clair)  (Foncé)	
		Spécifiez la luminosité de l'écran des messages.		
KEY SPEED (Vitesse Touche)	TIME TO START (Heure Début)	Paramètres	0.1sec / 0.3sec / 0.5sec / <b>1.0sec</b> / 1.5sec / 2.0sec / 2.5sec / 3.0sec	
		Spécifiez le délai au bout duquel le curseur commence à se déplacer lorsqu'une touche est maintenue enfoncée.		
	INTERVAL (Interval)	Paramètres	<b>0.1sec</b> / 0.3sec / 0.5sec / 1.0sec / 1.5sec / 2.0sec / 2.5sec / 3.0sec	
		Spécifiez le délai au bout duquel le curseur se déplace en continu entre les paramètres ou caractères.		

\*<sup>1</sup> Cette option de menu n'apparaît que si le paramètre ACCESSIBILITY (Accessibilité) / SOUND SETTING (Paramètre son) a la valeur ENABLE (Activer).

## Menu MACHINE SETTING (Param. Machine)

### Remarque :

Les paramètres par défaut définis par le fabricant apparaissent en gras.

AUTO PANEL RESET (RàZ Panneau Auto) (Epson AcuLaser CX37DNF uniquement)	Paramètres	OFF (Off) / 30sec (30Sec) / <b>1min</b> / 2min / 3min / 4min / 5min
	Spécifiez le délai d'inactivité au bout duquel tous les paramètres qui n'ont pas été programmés, tels que le nombre de copies, doivent être supprimés et restaurés à leur valeur par défaut.	
SLEEP MODE (Mode veille)	Paramètres	3-120 min (par défaut : <b>15 min</b> )
	Entre en mode Economie Energie afin d'économiser de l'électricité quand aucune opération n'est effectuée. Spécifiez le délai (en minutes) au bout duquel la machine doit passer en mode Economie energie.	
LANGUAGE (Langue)	Paramètres	<b>ENGLISH (English)</b> / French (Français) / German (Allemand) / Italian (Italien) / Spanish (Espagnol) / Brazilian (Brazilian) / Portuguese / Russian (Russe) / Czech (Tchèque) / Slovak / Hungarian / Polish / Dutch (Hollandais) / Danish (DANISH) / Norwegian (NORWEGIAN) / Swedish (SWEDISH) / Finnish (FINNISH) / Turkish (TURKISH) / Catalan (CATALAN)
	Sélectionnez la langue des menus et des messages affichés à l'écran.	
INITIAL MODE (Mode initial) (Epson AcuLaser CX37DNF uniquement)	Paramètres	<b>COPY (Copie)</b> / FAX (Fax) / SCAN (Scan)
	Sélectionnez le mode de démarrage ou le mode initial de la machine après la réinitialisation automatique.	
REPLACE TONER (REPLACER TONER)	Paramètres	<b>STOP (Arrêt)</b> / BW CONTINUE (Contr N/B)
	<p>Indiquez si l'impression, la copie et le fax (pour Epson AcuLaser CX37DNF) s'arrêtent quand le toner est vide.</p> <p><b>STOP (Arrêt)</b> : l'impression, la copie et le fax (pour Epson AcuLaser CX37DNF) s'arrêtent quand le toner est vide.</p> <p><b>BW CONTINUE (Contr N/B)</b> : l'impression monochrome, la copie monochrome et la réception de fax (pour Epson AcuLaser CX37DNF) peuvent continuer quand un ou plusieurs toners de couleur sont vides mais qu'il reste de l'encre dans le toner noir.</p>	

ENABLE WARNING (Activer alertes)	TONER LOW (Toner Bas)	Paramètres	<b>ON (On)</b> /OFF (Off)
		Quand le toner est presque vide, un avertissement s'affiche.	
	P/U LOW (U/P Bas)	Paramètres	<b>ON (On)</b> /OFF (Off)
		Quand le bloc photoconducteur est presque vide, un avertissement s'affiche.	
	WASTE NEAR FULL (DéchetsPresPlein)	Paramètres	<b>ON (On)</b> /OFF (Off)
		Quand le réceptacle de toner usagé est presque plein, un avertissement s'affiche.	
AUTO CONTINUE (Contr Auto)		Paramètres	ON (On)/ <b>OFF (Off)</b>
		Indiquez si l'impression doit ou non se poursuivre lorsqu'une erreur de format se produit pendant l'impression.	
CALIBRATION (Calibrage)		Paramètres	ON (On)/ <b>OFF (Off)</b>
		Indiquez si une stabilisation d'image doit être ou non effectuée. Si <b>ON (On)</b> est sélectionné, la stabilisation d'image démarre. <b>Remarque :</b> La fonction de calibrage consomme du toner.	

### **Menu PAPER SETUP (Config. Papier)**

**Remarque :**

*Les paramètres par défaut définis par le fabricant apparaissent en gras.*

TRAY1 PAPER (Papier Bac1)	Media type (Type media)	<b>PLAIN PAPER (Papier standard)</b> / THICK PAPER (Epais) / THICK PAPER2 (Epais2) / LABELS (Etiquettes) / LETTERHEAD (En-Tete) / GLOSSY (Brillant) / GLOSSY2 (Brillant2) / SINGLE SIDE ONLY (Recto seul) / SPECIAL PAPER (Pap. spécial) / ENVELOPE (Enveloppe) / POSTCARD (Carte)
	Paper size (Format papier)	<p>Lorsqu'un paramètre autre que ENVELOPE (Enveloppe) ou POSTCARD (Carte) est sélectionné : <b>A4</b> / A5 / B5 / LEGAL (Legal) / LETTER (Letter) / G LETTER (Letter G) / STATEMENT (Statement) / EXECUTIVE (Executive) / FOLIO (Folio) / G LEGAL (LEGAL OFF.) / 8 1/2 x 13 1/2 / CUSTOM (Personnalise)</p> <p>Pour ENVELOPE (Enveloppe) : COM10 (Com10) / C6 / DL / MONARCH (Monarch) / CHOU#3 (Chou #3) / CUSTOM (Personnalise)</p> <p>Pour POSTCARD (Carte) : J-POSTCARD 100x148 (Carte Japon) / D-POSTCARD 148x200 (Double carte) / CUSTOM (Personnalise)</p>
<p>Sélectionnez le type et le format du support chargé dans le Bac 1. Pour le format CUSTOM (Personnalise), les paramètres LENGTH (Longueur) et WIDTH (Largeur) doivent être spécifiés séparément.</p> <p>Les valeurs pouvant être sélectionnées pour LENGTH (Longueur) vont de 148 à 356 mm.</p> <p>Par défaut : <b>297</b> mm.</p> <p>Les valeurs pouvant être sélectionnées pour WIDTH (Largeur) vont de 92 à 216 mm.</p> <p>Par défaut : <b>210</b> mm.</p> <p>Quand vous sélectionnez un type de support, l'écran affiche les formats disponibles. Ceux-ci diffèrent selon le type de support sélectionné.</p> <p><b>Remarque :</b></p> <p>Le paramètre CUSTOM (Personnalise) affiche une valeur métrique (mm) même si ADMIN. MANAGEMENT (Gestion admin.) / USER SETTING (Param. Utilisat.) / PRESET ZOOM (Zoom prédéfini) a la valeur INCH (Inch).</p>		

TRAY2 PAPER (Papier Bac2)	Media type (Type media)	<b>PLAIN PAPER (Papier standard)</b> / THICK PAPER (Epais) / THICK PAPER2 (Epais2) / LABELS (Etiquettes) / LETTERHEAD (En-Tete) / GLOSSY (Brillant) / GLOSSY2 (Brillant2) / SINGLE SIDE ONLY (Recto seul) / SPECIAL PAPER (Pap. spécial) / POSTCARD (Carte)
	Paper size (Format papier)	Lorsqu'un paramètre autre que POSTCARD (Carte) est sélectionné : <b>A4</b> / A5 / B5 / LETTER (Letter) / G LETTER (Letter O) / STATEMENT (Statement) / EXECUTIVE (Executive) / CUSTOM (Personnalise)  Pour POSTCARD (Carte) : <b>J-POSTCARD 100x148 (Carte Japon)</b> / D-POSTCARD 148x200 (Double carte) / CUSTOM (Personnalise)
	Sélectionnez le type et le format du support chargé dans le Bac 2. Pour le format CUSTOM (Personnalise), les paramètres LENGTH (Longueur) et WIDTH (Largeur) doivent être spécifiés séparément.  Les valeurs pouvant être sélectionnées pour LENGTH (Longueur) vont de 148 à 297 mm. Par défaut : <b>297</b> mm.  Les valeurs pouvant être sélectionnées pour WIDTH (Largeur) vont de 92 à 216 mm. Par défaut : <b>210</b> mm.  <b>Remarque :</b>  Le paramètre CUSTOM (Personnalise) affiche une valeur métrique (mm) même si ADMIN. MANAGEMENT (Gestion admin.) / USER SETTING (Param. Utilisat.) / PRESET ZOOM (Zoom prédéfini) a la valeur INCH (Inch).	
TRAY3 PAPER (Mag3 papier)*1	Media type (Type media)	<b>PLAIN PAPER (Papier standard)</b> / SINGLE SIDE ONLY (Recto seul) / SPECIAL PAPER (Pap. spécial.)
	Sélectionnez le type du support chargé dans le Bac 3.	

\*1 Cette option de menu n'apparaît que si le chargeur papier de 500 feuilles optionnel est installé.

## Menu ADMIN. MANAGEMENT (Gestion admin.)

### Remarque :

- Le menu ADMIN. MANAGEMENT (Gestion admin.) n'est accessible qu'à l'administrateur. Pour afficher les paramètres de ce menu, sélectionnez ADMIN. MANAGEMENT (Gestion admin.), entrez le code d'accès Administrateur à 6 chiffres (par défaut : 000000) à l'aide du clavier, puis appuyez sur la touche **Select**.
- Les paramètres par défaut définis par le fabricant apparaissent en gras.



PASSWORD SETTING (Réglage motpasse)	ADMINISTRATOR NO. (code admin.)		Spécifiez un nouveau code d'accès Administrateur.			
	FULL FUNC. NO. (N° fonct.)	CHANGE FUNC. NO. (Chan- ger n° fonct.)		Spécifiez le numéro de fonction si vous utilisez des fonctions limitées. Il s'agit du mot de passe requis pour utiliser les fonctions.		
		RESTRICT (Limiter)	COLOR COPY (Copie coul.)	Paramètres	<b>ALLOW (Permettre)</b> / RESTRICT (Limi- ter)	
				Indiquez si vous souhaitez limiter ou non la fonction COLOR COPY (Copie Coul.).		
		FAX TX (Fonction fax) (Epson AcuLaser CX37DNF unique- ment)	Paramètres	<b>ALLOW (Permettre)</b> / RESTRICT (Limi- ter)	Indiquez si vous souhaitez limiter ou non la fonction d'envoi de fax : Memory TX (Emission Mémoire), Direct TX (Transmission directe), Manual TX (Transmission ma- nuelle), Manual Polling RX (Transmission interrogation manuelle).	
		SCAN TO E-MAIL (Num vers e-mail)	Paramètres	<b>ALLOW (Permettre)</b> / RESTRICT (Limi- ter)	Indiquez si vous souhaitez limiter ou non la fonction SCAN TO E-MAIL (Num vers e-mail).	
		SCAN TO USB (Numér. vers USB)	Paramètres	<b>ALLOW (Permettre)</b> / RESTRICT (Limi- ter)	Indiquez si vous souhaitez limiter ou non la fonction SCAN TO USB (Numér. vers USB).	
SCAN TO SERVER (Num vers serveur)	Paramètres	<b>ALLOW (Permettre)</b> / RESTRICT (Limi- ter)	Indiquez si vous souhaitez limiter ou non la fonction SCAN TO SERVER (Num vers serveur).			

NETWORK SETTING (Param. Re- seau)	TCP/IP		Paramètres	DISABLE (Désactiv.)/ <b>ENABLE (Activer)</b>	
			Sélectionnez le paramètre de connexion de cette machine à un réseau.		
	IP ADDR. SETTING (Def. Adresse IP)* <sup>1</sup>	IP ADDRESS (Adresse IP)	Spécifiez le paramètre IP ADDRESS (Adresse IP). Par défaut : <b>0.0.0.0</b> .		
		SUBNET MASK (Masque SS-Réseau)	Spécifiez le paramètre SUBNET MASK (Masque SS-Réseau). Par défaut : <b>0.0.0.0</b> .		
		GATEWAY (Portail)	Spécifiez l'adresse du paramètre GATEWAY (Portail). Par défaut : <b>0.0.0.0</b> .		
	DHCP* <sup>1</sup>		Paramètres	DISABLE (Désactiv.)/ <b>ENABLE (Activer)</b>	
Si un serveur DHCP est présent sur le réseau, spécifiez si l'adresse IP et toute autre information réseau sont automatiquement assignées par le serveur DHCP.					

BOOTP* <sup>1</sup>	Paramètres	<b>DISABLE (Désactiv.)/ENABLE (Activer)</b>
	Si un serveur BOOTP est présent sur le réseau, spécifiez si l'adresse IP et toute autre information réseau sont automatiquement assignées par le serveur BOOTP.	
ARP/PING* <sup>1</sup>	Paramètres	<b>DISABLE (Désactiv.)/ENABLE (Activer)</b>
	Spécifiez si la commande ARP/PING est utilisée lors de l'attribution de l'adresse IP.	
HTTP* <sup>1</sup>	Paramètres	DISABLE (Désactiv.)/ <b>ENABLE (Activer)</b>
	Activez ou désactivez HTTP.	
FTP SERVER (Serveur FTP)* <sup>1</sup>	Paramètres	<b>DISABLE (Désactiv.)/ENABLE (Activer)</b>
	Activez ou désactivez le serveur FTP.	
FTP TX* <sup>1</sup>	Paramètres	DISABLE (Désactiv.)/ <b>ENABLE (Activer)</b>
	Activez ou désactivez le client FTP.	
SMB* <sup>1</sup>	Paramètres	DISABLE (Désactiv.)/ <b>ENABLE (Activer)</b>
	Activez ou désactivez SMB.	
BONJOUR (Bonjour)* <sup>1</sup>	Paramètres	DISABLE (Désactiv.)/ <b>ENABLE (Activer)</b>
	Activez ou désactivez Bonjour.	
DYNAMIC DNS (DNS dynamique)* <sup>1</sup>	Paramètres	<b>DISABLE (Désactiv.)/ENABLE (Activer)</b>
	Activez ou désactivez DNS dynamique.	
IPP* <sup>1</sup>	Paramètres	DISABLE (Désactiv.)/ <b>ENABLE (Activer)</b>
	Activez ou désactivez IPP. <b>Remarque :</b> Si HTTP a la valeur <b>DISABLE (Désactiv.)</b> , IPP ne peut pas être défini.	

RAW PORT (Port RAW)* <sup>1</sup>	DISABLE/ENABLE (Désactiv./Activ.)	Paramètres	DISABLE (Désactiv.)/ <b>ENABLE (Activer)</b>
	Activez ou désactivez le port RAW.		
	BIDIRECTIONAL (bidirectionnel)	Paramètres	<b>DISABLE (Désactiv.)</b> /ENABLE (Activer)
	Activez ou désactivez la communication bidirectionnelle sur le port RAW.		
SLP* <sup>1</sup>	Paramètres		
	DISABLE (Désactiv.)/ <b>ENABLE (Activer)</b>		
Activez ou désactivez SLP.			
SNMP* <sup>1</sup>	Paramètres		
	DISABLE (Désactiv.)/ <b>ENABLE (Activer)</b>		
Activez ou désactivez SNMP.			
WSD PRINT (Impression Wsd)* <sup>1</sup>	Paramètres		
	DISABLE (Désactiv.)/ <b>ENABLE (Activer)</b>		
Activez ou désactivez l'impression WSD.			
IPSEC* <sup>1</sup>	Paramètres		
	<b>DISABLE (Désactiv.)</b> /ENABLE (Activer)		
Activez ou désactivez IPsec.			
IP ADDR. FILTER (Filtre Adres. IP)* <sup>1</sup>	ACCESS PER. (Permission Acces)	Paramètres	<b>DISABLE (Désactiv.)</b> /ENABLE (Activer)
		Autorisez l'accès pour le filtrage des adresses IP.	
	ACCESS REFUSE (Refus Acces)	Paramètres	<b>DISABLE (Désactiv.)</b> /ENABLE (Activer)
		Bloquez l'accès pour le filtrage des adresses IP.	

IPv6 (IPv6)*1	DISABLE/ENABLE (Désactiv./Activ.)	Paramètres	DISABLE (Désactiv.)/ <b>ENABLE (Activer)</b>
		Activez ou désactivez IPv6.	
	AUTO SETTING (Config. Auto)*2	Paramètres	<b>YES (Oui)</b> /NO (Non)
		Activez ou désactivez la configuration automatique IPv6.	
	LINK LOCAL (Lien Local)*2	Affiche l'adresse de lien local.	
	GLOBAL ADDRESS (Adresse Mondiale)*2	Affiche l'adresse globale.	
	GATEWAY ADDRESS (Adresse Portail)*2	Affiche l'adresse du portail.	
NETWARE		Paramètres	<b>DISABLE (Désactiv.)</b> /ENABLE (Activer)
		Activez ou désactivez NetWare.	
APPLETALK		Paramètres	DISABLE (Désactiv.)/ <b>ENABLE (Activer)</b>
		Activez ou désactivez AppleTalk.	
SPEED/DUPLEX (Vitesse/Ro-Vo)		Paramètres	<b>AUTO (Autom.)</b> /10BASE FULL (10base Total)/10BASE HALF (10base Demi)/100BASE FULL (100base Total)/100BASE HALF (100base Demi)/1000BASE FULL (1000base Total)
		Spécifie la vitesse de transmission pour le réseau et la méthode de transmission pour la transmission bidirectionnelle.	
IEEE802.1X		Paramètres	<b>DISABLE (Désactiv.)</b> /ENABLE (Activer)
		Activez ou désactivez IEEE802.1X.	

E-MAIL SETTING (Param. Email)	SMTP	Paramètres	DISABLE (Désactiv.)/ <b>ENABLE (Activer)</b>
		Activez ou désactivez les fonctions de transmission e-mail pour cette machine.	
	SENDER NAME (Nom Emetteur)	Spécifiez le nom de l'expéditeur d'e-mail (jusqu'à 20 caractères) pour la numérisation en réseau. Par défaut : <b>Epson AL-CX37.</b>	
	E-MAIL ADDRESS (Adresse E-Mail)	Spécifiez l'adresse e-mail (jusqu'à 64 caractères) de l'expéditeur d'e-mail utilisé pour la numérisation en réseau.	
	DEFAULT SUBJECT (sujet par deft)	Spécifiez l'objet (jusqu'à 20 caractères) du message e-mail utilisé pour la numérisation en réseau. Par défaut : <b>from Epson AL-CX37.</b>	
	SMTP SERVER ADDR. (Serveur SMTP)	Spécifiez l'adresse IP ou le nom d'hôte (jusqu'à 64 caractères) pour le serveur SMTP. Par défaut : <b>0.0.0.0.</b>	
	SMTP PORT NO. (No. Port SMTP)	Paramètres	1 à 65535 (par défaut : <b>25</b> )
		Spécifiez le numéro de port qui communique avec le serveur SMTP.	
	SMTP TIMEOUT (Delai SMTP)	Paramètres	30 à 300 sec (par défaut : <b>60 sec (60Sec)</b> )
		Sélectionnez le délai (en secondes) au bout duquel la connexion au serveur SMTP doit expirer.	
TEXT INSERT (Inseert. Texte)	Paramètres	<b>OFF (Off)/ON (On)</b>	
	Sélectionnez si le texte spécifié est inséré ou non dans le message e-mail.		

POP BEFO- RE SMTP (POP avant SMTP)	DISABLE/ENABLE (Désac- tiv./Activ.)	Paramètres	<b>DISABLE (Désactiv.)/ENABLE (Activer)</b>
		Activez ou désactivez POP avant SMTP. Si <b>ENABLE (Activer)</b> est sélectionné, spécifiez le délai (entre 0 et 60 secondes) Par défaut : <b>1sec.</b>	
	POP3 SERVER ADDR. (adres- se serv. POP3) <sup>*3</sup>	Spécifiez le nom d'hôte ou l'adresse IP du serveur POP3 utilisé pour l'authentification avec POP avant SMTP. Par défaut : <b>0.0.0.0.</b>	
	POP3 PORT NO. (N° Port POP3) <sup>*3</sup>	Paramètres	1 à 65535 (par défaut : <b>110</b> )
		Spécifiez le numéro de port utilisé pour communiquer avec le serveur POP3.	
	POP3 TIMEOUT (Délai POP3) <sup>*3</sup>	Paramètres	30 à 300 sec (par défaut : <b>30 sec (30Sec)</b> )
		Sélectionnez le délai (en secondes) au bout duquel la connexion au serveur POP3 doit expirer.	
POP3 ACCOUNT (Compte POP3) <sup>*3</sup>	Spécifiez le nom d'utilisateur (jusqu'à 63 caractères) utilisé pour l'authentification avec le serveur POP3.		
POP3 PASSWORD (MdPasse POP3) <sup>*3</sup>	Spécifiez le mot de passe (jusqu'à 15 caractères) utilisé pour l'authentification avec le serveur POP3.		
SMTP AUTH. (au- thentif. SMTP)	DISABLE/ENABLE (Désac- tiv./Activ.)	Paramètres	<b>DISABLE (Désactiv.)/ENABLE (Activer)</b>
		Activez ou désactivez l'authentification SMTP.	
	SMTP USER NAME (nom util SMTP) <sup>*4</sup>	Spécifiez le nom d'utilisateur (jusqu'à 63 caractères) utilisé pour l'authentification SMTP.	
SMTP PASSWORD (MdPasse SMTP) <sup>*4</sup>	Spécifiez le mot de passe (jusqu'à 15 caractères) utilisé pour l'authentification SMTP.		

LDAP SETTING (Param. LDAP)	DISABLE/ENABLE (Désactiv./Activ.)	Paramètres	DISABLE (Désactiv.)/ <b>ENABLE (Activer)</b>
		Activez ou désactivez la fonction LDAP.	
	LDAP SERVER ADDR. (Adresse Serv. LDAP)* <sup>5</sup>	Spécifiez l'adresse (jusqu'à 64 caractères) du serveur LDAP. Par défaut : <b>0.0.0.0</b> .	
	LDAP PORT NO. (N° Port LDAP)* <sup>5</sup>	Paramètres	1 à 65535 (par défaut : <b>389</b> )
		Spécifiez le numéro de port du serveur LDAP. <b>Remarque :</b> Le paramètre par défaut est <b>636</b> si SSL SETTING (Paramètres SSL) a la valeur <b>ENABLE (Activer)</b> .	
	SSL SETTING (Paramètres SSL)* <sup>5</sup>	Paramètres	<b>DISABLE (Désactiv.)/ENABLE (Activer)</b>
		Activez ou désactivez SSL.	
	SEARCH BASE (Base de recherche)* <sup>5</sup>	Spécifiez le point de départ de la recherche (jusqu'à 64 caractères) dans une structure hiérarchique organisée sur le serveur LDAP.	
ATTRIBUTE (Attribut)* <sup>5</sup>	La recherche peut être spécifiée sous forme d'un nom ou d'une adresse e-mail (jusqu'à 32 caractères). Par défaut : <b>cn</b> .		
SEARCH METHOD (Méthode de recherche)* <sup>5</sup>	Paramètres	BEGIN (Début) / <b>CONTAIN (Contient)</b> / END (Fin)	
	Les caractères spécifiés peuvent être recherchés au début, au milieu ou à la fin.		
LDAP TIMEOUT (Délai LDAP)* <sup>5</sup>	Paramètres	5 à 300 sec (par défaut : <b>60 sec (60Sec)</b> )	
	Spécifiez le délai d'attente maximal pendant une recherche.		



MAX.SEARCH RESULTS (Max.Résult.Recher.)* <sup>5</sup>	Paramètres	5 à 100 (par défaut : <b>100</b> )	
	Spécifiez le nombre maximal de destinations affichées après une recherche.		
	AUTHENTICATION (Authentification)* <sup>5</sup>	Paramètres	<b>ANONYMOUS (Anonyme)</b> / SIMPLE (Simple) / DIGEST-MD5 (Digest-MD5) / GSS-SPNEGO / NTLMv2
		Sélectionnez la méthode d'authentification utilisée pour ouvrir une session sur le serveur LDAP.	
	LDAP ACCOUNT (Compte LDAP)* <sup>5</sup>	Spécifiez le compte (jusqu'à 64 caractères) utilisé pour se connecter au serveur LDAP.	
	LDAP PASSWORD (MdPasse LDAP)* <sup>5</sup>	Spécifiez le mot de passe (jusqu'à 32 caractères) utilisé pour se connecter au serveur LDAP.	
DOMAIN NAME (Nom Domaine)* <sup>5</sup>	Spécifiez le nom de domaine (jusqu'à 64 caractères) utilisé pour se connecter au serveur LDAP.		
MEMORY DIRECT (Mémoire Directe)	Paramètres	DISABLE (Désactiv.)/ <b>ENABLE (Activer)</b>	
	Activez ou désactivez la fonction Mémoire Directe.		
USB SETTING (Param. USB) (Epson AcuLaser CX37DNF uniquement)	Paramètres	<b>Windows</b> / Mac	
	Sélectionnez le système d'exploitation de l'ordinateur auquel la machine est connectée via un câble USB.		
FAX SETTING (Réglage fax) (Epson AcuLaser CX37DNF uniquement)	Pour plus d'informations, voir le Facsimile User's Guide (Guide d'utilisation Télécopieur).		
COMM. SETTING (Param. Comm.) (Epson AcuLaser CX37DNF uniquement)	Pour plus d'informations, voir le Facsimile User's Guide (Guide d'utilisation Télécopieur).		

USER SETTING (Param. Utilisat.)	PTT SETTING (Param. PTT)/COUNTRY SETTING	Paramètres	AUSTRIA (Austria) / BELGIUM (Belgium) / CZECH (Czech) / DENMARK (Denmark) / EUROPE (Europe) / FINLAND (Finland) / FRANCE (France) / GERMANY (Germany) / GREECE (Greece) / HONG KONG (Hong Kong) / HUNGARY (Hungary) / IRELAND (Ireland) / ISRAEL (Israel) / ITALY (Italy) / KOREA (Korea) / THE NETHERLANDS (Netherlands) / NORWAY (Norway) / POLAND (Poland) / PORTUGAL (Portugal) / RUSSIA (Russia) / SAUDI ARABIA (Saudi Arabia) / SLOVAKIA (Slovakia) / SOUTH AFRICA (South Africa) / SPAIN (Spain) / SWEDEN (Sweden) / SWITZERLAND (Switzerland) / TAIWAN (Taiwan) / TURKEY (Turkey) / U.S.A (USA) / UNITED KINGDOM (UK)
		<p>Sélectionnez le pays dans lequel cette machine est installée.</p> <p><b>Remarque :</b></p> <p>Ce paramètre permet également de modifier la valeur LANGUAGE (Langue). Si nécessaire, modifiez le paramètre de langue dans le panneau de commande.</p>	
	DATE&TIME (Date&Heure) (Epson AcuLaser CX37DNF uniquement)	Paramètres	<p>TIME (Heure) : 00:00-23:59 (Par défaut : <b>00:00</b>)</p> <p>DATE : '08/01/01-'32/12/31 (Par défaut : <b>'08/01/01</b>)</p> <p>ZONE (Fuseau) : GMT +12:00-GMT-12:00 (par intervalles de 30 minutes) (par défaut : <b>GMT+00:00</b>)</p>
		Utilisez le clavier pour spécifier la date, l'heure et le fuseau horaire.	

	DAYLIGHT SAVING (éco lumière jour) (Epson AcuLaser CX37DNF uniquement)	Paramètres	<b>OFF (Off)</b> / ON (On) (1-150 min (par défaut : 60 min (60min)))
		Activez ou désactivez le passage à l'heure d'été. Si ON (On) est sélectionné, indiquez le nombre de minutes d'ajustement de l'heure.	
	DATE FORMAT (Format Date) (Epson AcuLaser CX37DNF uniquement)	Paramètres	<b>MM/DD/YY (MM/JJ/AA)</b> / DD/MM/YY (JJ/MM/AA) / YY/MM/DD (AA/MM/JJ)
		Sélectionnez le format d'affichage pour les rapports et les listes.	
	PRESET ZOOM (Zoom prédéfini)	Paramètres	<b>INCH (Inch)</b> / <b>METRIC (Métrique)</b>
		Sélectionnez l'unité de mesure des taux de zoom prédéfinis.	
	USER FAX NUMBER (No. Fax Utilisat) (Epson AcuLaser CX37DNF uniquement)	Entrez votre numéro de fax. Vous pouvez entrer 20 caractères maximum (chiffres, espaces, signes + et - inclus). Le numéro spécifié est imprimé en en-tête des fax émis. Par défaut : vide.	
	USER NAME (Nom Utilisateur) (Epson AcuLaser CX37DNF uniquement)	Entrez votre nom. Vous pouvez entrer au maximum 32 caractères. Le nom spécifié est imprimé en en-tête des fax émis. Par défaut : vide.	
SUPPLIES REPLACE (Remplacer Consom)	FUSER UNIT (Unite Fixation)	Remplacez le compteur lorsque vous remplacez l'unité de fixation.	

\*1 Cette option de menu n'apparaît que si le paramètre ADMIN. MANAGEMENT (Gestion admin.)/NETWORK SETTING (Param. Réseau)/TCP/IP est activé (ENABLE (Activer)).

\*2 Cette option de menu n'apparaît que si le paramètre ADMIN. MANAGEMENT (Gestion admin.)/NETWORK SETTING (Param. Réseau)/IPv6 (IPV6)/DISABLE/ENABLE (Désactiv./Activ.) est activé (ENABLE (Activer)).

\*3 Cette option de menu n'apparaît que si le paramètre ADMIN. MANAGEMENT (Gestion admin.)/E-MAIL SETTING (Param. Email)/POP BEFORE SMTP (POP avant SMTP)/DISABLE/ENABLE (Désactiv./Activ.) est activé (ENABLE (Activer)).




\*4 Cette option de menu n'apparaît que si le paramètre ADMIN. MANAGEMENT (Gestion admin.)/E-MAIL SETTING (Param. Email)/SMTP AUTH. (authentif. SMTP)/DISABLE/ENABLE (Désactiv./Activ.) est activé (ENABLE (Activer)).

\*5 Cette option de menu n'apparaît que si le paramètre ADMIN. MANAGEMENT (Gestion admin.)/LDAP SETTING (Param. LDAP)/DISABLE/ENABLE (Désactiv./Activ.) est activé (ENABLE (Activer)).

## Menu COPY SETTING (Param. Copie)

### Remarque :

Les paramètres par défaut définis par le fabricant apparaissent en gras.

PAPER PRIORITY (Priorité Papier)	Paramètres	TRAY1 (Bac1) / <b>TRAY2 (Bac2)</b> / TRAY3 (Bac3)	
	Spécifiez le bac support normalement utilisé. <b>Remarque :</b> Si le chargeur papier de 500 feuilles en option n'est pas installé, l'option TRAY3 (Bac3) n'apparaît pas.		
TRAY CHAINING (Chaînage bacs)	Paramètres	<b>DISABLE (Désactiv.)</b> /ENABLE (Activer)	
	Si <b>ENABLE (Activer)</b> est sélectionné et que le papier vient à manquer en cours d'impression dans le bac spécifié, un bac contenant du papier au même format est automatiquement sélectionné afin que l'impression puisse se poursuivre. Si <b>DISABLE (Désactiv.)</b> est sélectionné et que le papier vient à manquer dans le bac spécifié, l'impression s'arrête.		
QUALITY PRIORITY (Priorité Qualité)	Paramètres	MIX (Mix) / TEXT (Texte) / PHOTO (Photo) / <b>FINE/MIX (Fin/Mix)</b> / FINE/TEXT (Fin/Texte) / FINE/PHOTO (Fin/Photo)	
	Sélectionnez le type de document à copier. <b>Remarque :</b> <input type="checkbox"/> Lorsqu'un document est introduit dans le chargeur ADF, le paramètre par défaut MIX (Mix) est automatiquement sélectionné. <input type="checkbox"/> Pour la résolution de chaque paramètre, voir « Résolution des paramètres QUALITY PRIORITY (Priorité Qualité) » à la page 69.		
DENSITY PRIORITY (Priorité Densité)	Paramètres	<b>AUTO (Autom.)</b> / MANUAL (Manuel)	
	Sélectionnez la densité normalement utilisée.		
DENSITY LEVEL (Niveau dens.)	AUTO (Autom.)	Paramètres	(Clair)  (Foncé)
		Réglez la densité de la couleur de fond.	
	MANUAL (Manuel)	Paramètres	(Clair)  (Foncé)
		Spécifiez la densité par défaut de la copie.	
SHARPNESS (Netteté)	Paramètres	(Doux)  (Transparent)	
	Sélectionnez la netteté.		
OUTPUT PRIORITY (Priorité Sortie)	Paramètres	<b>NON-SORT (Non-tri)</b> / SORT (tri)	
	Activez ou désactivez le tri des copies (assemblage).		
N-UP PRIORITY (Priorité n-up)	Paramètres	<b>1IN1 (1en1)</b> / 2IN1 (2en1) / 4IN1 (4en1)	
	Sélectionnez le nombre de pages de document à imprimer sur une seule page.		

4IN1 COPY ORDER (ordre copie 4en1)	Paramètres	<b>SIDEWISE (lateral)</b> / DOWNWARD (descendant)
	Sélectionnez l'orientation des documents numérisés lors d'une copie 4en1.	
DUPLEX COPY (copie rect/vers)	Paramètres	<b>OFF (Off)</b> / LONG EDGE (Bord Long) / SHORT EDGE (Bord Court)
	<p>Sélectionnez le mode de copie recto-verso à effectuer par défaut.</p> <p>Si <b>OFF (Off)</b> est sélectionné, la copie recto-verso n'est pas effectuée par défaut.</p> <p>Si <b>LONG EDGE (Bord Long)</b> est sélectionné, la copie recto-verso est effectuée par défaut, avec la reliure des pages copiées positionnée sur le bord long des feuilles.</p> <p>Si <b>SHORT EDGE (Bord Court)</b> est sélectionné, la copie recto-verso est effectuée par défaut, avec la reliure des pages copiées positionnée sur le bord court des feuilles.</p>	

### Résolution des paramètres *QUALITY PRIORITY (Priorité Qualité)*

La liste ci-dessous indique la résolution de chaque paramètre.

Vitre d'exposition	Couleur	MIX (Mix), TEXT (Texte), PHOTO (Photo)	600 × 300 dpi
		FINE/MIX (Fin/Mix), FINE/TEXT (Fin/Texte), FINE/PHOTO (Fin/Photo)	600 × 600 dpi
	Monochrome	MIX (Mix), TEXT (Texte), PHOTO (Photo)	600 × 300 dpi
		FINE/MIX (Fin/Mix), FINE/TEXT (Fin/Texte), FINE/PHOTO (Fin/Photo)	600 × 600 dpi
Chargeur ADF	Couleur	MIX (Mix), TEXT (Texte), PHOTO (Photo)	300 × 300 dpi
		FINE/MIX (Fin/Mix), FINE/TEXT (Fin/Texte), FINE/PHOTO (Fin/Photo)	600 × 300 dpi
	Monochrome	MIX (Mix), TEXT (Texte), PHOTO (Photo)	600 × 300 dpi
		FINE/MIX (Fin/Mix), FINE/TEXT (Fin/Texte), FINE/PHOTO (Fin/Photo)	600 × 300 dpi

### Menu *DIAL REGISTER (Enregist. Num.)/ADDRESS REGISTER (Registre adresse)*

FAVORITE (Favoris)	<p>Vous pouvez enregistrer dans la liste du carnet d'adresses les destinations en numérotation abrégée et groupée souvent utilisées. Appuyez sur la touche <b>Addressbook (Carnet d'adresses)</b> puis sur la touche ▲ ou ▼ pour sélectionner rapidement la destination désirée.</p> <p>Dans cette liste, vous pouvez enregistrer jusqu'à 20 destinations.</p> <p>Pour plus d'informations, voir « Enregistrement dans la liste du carnet d'adresses » à la page 168.</p>
--------------------	---

SPEED DIAL (Numerot. Abrege)/ADDRESS (Adresse)	<p>Enregistrez les numéros de fax et les adresses e-mail souvent utilisés sous forme de destinations en numérotation abrégée. Vous pouvez ainsi rappeler ces destinations sans avoir à les ressaisir manuellement au risque de commettre des erreurs.</p> <p>Vous pouvez enregistrer jusqu'à 250 destinations en numérotation abrégée.</p> <p>Pour plus d'informations, voir « Enregistrement de destinations en numérotation abrégée (saisie directe) » à la page 170 et « Enregistrement de destinations en numérotation abrégée (recherche LDAP) » à la page 171.</p>
GROUP DIAL (Numerot. Groupee)/GROUP (Groupe)	<p>Enregistrez les destinations d'émission souvent utilisées sous forme d'une destination en numérotation groupée. Vous pouvez ainsi rappeler plusieurs destinations en sélectionnant simplement le groupe ainsi enregistré.</p> <p>Vous pouvez enregistrer jusqu'à 20 destinations en numérotation groupée.</p> <p>Vous pouvez enregistrer jusqu'à 50 destinations dans une destination en numérotation groupée.</p> <p>Pour plus d'informations, voir « Enregistrement de destinations en numérotation groupée » à la page 174.</p>

**Menu FAX TX OPERATION (Param. Transmis.) (Epson AcuLaser CX37DNF uniquement)**

Pour plus d'informations, voir le Facsimile User's Guide (Guide d'utilisation Télécopieur).

**Menu FAX RX OPERATION (Param. Réception) (Epson AcuLaser CX37DNF uniquement)**

Pour plus d'informations, voir le Facsimile User's Guide (Guide d'utilisation Télécopieur).



**Menu REPORTING (Rapports)**

Pour plus d'informations, voir le Facsimile User's Guide (Guide d'utilisation Télécopieur).

**Menu SCAN SETTING (Param. Scanner)**

**Remarque :**

*Les paramètres par défaut définis par le fabricant apparaissent en gras.*

IMAGE FORMAT (Format Image)	Paramètres	TIFF / <b>PDF</b> / JPEG
	<p>Sélectionnez le format par défaut pour enregistrer les fichiers lors des opérations Num vers e-mail.</p> <p><b>Remarque :</b></p> <ul style="list-style-type: none"> <li><input type="checkbox"/> Les fichiers PDF peuvent être ouverts dans Adobe Acrobat Reader.</li> <li><input type="checkbox"/> Les fichiers d'images TIFF ayant été numérisés avec le paramètre <b>COLOR</b> or <b>GRAY</b> (Couleur/Gris) activé ne peuvent pas être ouverts avec l'outil Aperçu des images et des télécopies Windows, fourni en standard avec Windows XP. Ces fichiers peuvent être ouverts avec des applications de traitement d'image telles que PhotoShop, Microsoft Office Document Imaging ou ACDsee.</li> </ul>	
CODING METHOD (Méthode Codage)	Paramètres	<b>MH</b> / MR / MMR
	<p>Sélectionnez la méthode de compression par défaut lors des opérations Num vers e-mail.</p> <p>Le taux de compression de ces méthodes augmente dans l'ordre suivant : MH &gt; MR &gt; MMR.</p> <p><b>Remarque :</b></p> <p>Ces paramètres sont disponibles uniquement si <b>BW Only (N/B)</b> a été sélectionné comme paramètre couleur durant la transmission e-mail.</p>	
RESOLUTION	Paramètres	<b>150x150dpi</b> / 300x300dpi
	<p>Sélectionnez la résolution de numérisation par défaut lors des opérations Num vers e-mail.</p>	
QUALITY PRIORITY (Priorité Qualité)	Paramètres	<b>MIX (Mix)</b> / TEXT (Texte) / PHOTO (Photo)
	<p>Sélectionnez la qualité des données numérisées à utiliser par défaut.</p>	
DENSITY LEVEL (Niveau dens.)	Paramètres	(Clair)  (Foncé)
	<p>Sélectionnez la densité des données numérisées à utiliser par défaut.</p>	
SHARPNESS (Netteté)	Paramètres	(Doux)  (Transparent)
	<p>Sélectionnez la netteté (paramètre <b>SHARPNESS</b> (Netteté)).</p>	
SCAN SIZE (Taille Numéris.)	Paramètres	A5 / <b>A4</b> / B5 / STATEMENT (Statement) / LETTER (Letter) / LEGAL (Legal)
	<p>Sélectionnez le format de numérisation.</p>	

FILE SIZE (taille fichier)	Paramètres	<b>NO SPLIT (Non Division)</b> / SPLIT (Division)
	<p>Indiquez s'il faut limiter ou non la taille des données numérisées lorsqu'elles sont jointes à un e-mail.</p> <p>Si <b>SPLIT</b> (Division) est sélectionné, spécifiez une taille maximale de fichier entre 1 et 10 Mo. Si les données à envoyer dépassent la taille maximale autorisée, elles sont divisées et envoyées sous forme de plusieurs pièces jointes.</p> <p><b>Remarque :</b></p> <p>Pour recevoir plusieurs fichiers en pièces jointes, une application de messagerie compatible avec des transmissions divisées est requise.</p>	
START KEY (param. couleur)	Paramètres	BW Only (N/B) / <b>COLOR or GRAY (Couleur/Gris)</b>
	Sélectionnez l'opération à exécuter lorsque vous appuyez sur la touche <b>Start (Départ)</b> .	

## Menu PS/PCL PRINT (impression PS/PCL)

Pour afficher l'écran PS/PCL PRINT (impression PS/PCL), sélectionnez PS/PCL PRINT (impression PS/PCL) sur l'écran principal (Mode Copie), et appuyez sur la touche **Select**. Ce menu permet d'imprimer ou de supprimer des travaux stockés sur le disque dur (en option) de la machine et de modifier les paramètres d'impression PS/PCL.

### Remarque :

Pour revenir à l'écran précédent dans le menu PS/PCL PRINT (impression PS/PCL), appuyez sur la touche **Back (Retour)**. (Si vous appuyez sur la touche **Back (Retour)** lorsque vous définissez des paramètres, ces derniers ne sont pas enregistrés.)

## Menu PROOF/PRINT (Verif/Impr)

Ce menu permet d'imprimer ou de supprimer des travaux stockés sur le disque dur (en option) de la machine.

### Remarque :

- Cette option de menu n'apparaît que si le chargeur papier de 500 feuilles optionnel est installé.
- Si aucun travail n'est stocké sur le disque dur, le message NO STORED JOB (Ø Travail Stocké) s'affiche lorsque le paramètre PROOF/PRINT MENU (Menu Verif/Impr) est sélectionné.



PRINT (Imprimer)	<p>Pour imprimer le travail sélectionné, suivez la procédure ci-après.</p> <ol style="list-style-type: none"> <li>1. Si un mot de passe a été spécifié pour le travail sélectionné, entrez ce mot de passe, puis appuyez sur la touche <b>Select</b>.</li> <li>2. Spécifiez le nombre de copies (1 à 9999), puis appuyez sur la touche <b>Select</b>.</li> <li>3. Pour imprimer des copies en couleur, appuyez sur la touche <b>Start (Color) (Départ (Couleur))</b>. Pour imprimer des copies monochromes, appuyez sur la touche <b>Start (B&amp;W) (Départ (N&amp;B))</b>.</li> </ol>
DELETE (Supprimer)	<p>Pour supprimer le travail sélectionné, suivez la procédure ci-après.</p> <ol style="list-style-type: none"> <li>1. Si un mot de passe a été spécifié pour le travail sélectionné, entrez ce mot de passe, puis appuyez sur la touche <b>Select</b>.</li> <li>2. Sélectionnez <b>YES (Oui)</b>, puis appuyez sur la touche <b>Select</b>.</li> </ol>

## Menu PAPER (Papier)

### Remarque :

Les paramètres par défaut définis par le fabricant apparaissent en gras.

ANY TRAY SETTING (Paramet. bac)	TRAY1 PAPER (Papier Bac1)	TRAY1 ANY SIZE (Format pap. Bac1)	Paramètres	ON (On)/ <b>OFF (Off)</b>
		Sélectionnez ou non le paramètre Any Paper Size (Format papier) pour le Bac 1.		
	TRAY1 PAPER (Papier Bac1)	TRAY1 ANY TYPE (Type media Bac1)	Paramètres	ON (On)/ <b>OFF (Off)</b>
		Sélectionnez ou non le paramètre Any Paper Type (Type papier) pour le Bac 1.		
	TRAY2 PAPER (Papier Bac2)	TRAY2 ANY SIZE (Format pap. Bac2)	Paramètres	ON (On)/ <b>OFF (Off)</b>
			Sélectionnez ou non le paramètre Any Paper Size (Format papier) pour le Bac 2.	
TRAY2 ANY TYPE (Type media Bac2)		Paramètres	ON (On)/ <b>OFF (Off)</b>	
		Sélectionnez ou non le paramètre Any Paper Type (Format papier) pour le Bac 2.		
TRAY3 PAPER (Mag3 papier)* <sup>1</sup>	TRAY3 ANY TYPE (Type media Bac3)	Paramètres	ON (On)/ <b>OFF (Off)</b>	
		Sélectionnez ou non le paramètre Any Paper Type (Type papier) pour le Bac 3.		

TRAY CHAINING (Chaînage bacs)		Paramètres	<b>ON (On)/OFF (Off)</b>
		<p>Si <b>ON (On)</b> est sélectionné et que le papier vient à manquer en cours d'impression dans le bac spécifié, un bac contenant du papier au même format est automatiquement sélectionné afin que l'impression puisse se poursuivre.</p> <p>Si <b>OFF (Off)</b> est sélectionné et que le papier vient à manquer dans le bac spécifié, l'impression s'arrête.</p>	
TRAY MAPPING (Config. Bacs)	TRAY MAPPING MD. (Mode Conf. Bacs)	Paramètres	<b>ON (On)/OFF (Off)</b>
	Indiquez si la fonction Tray Mapping (Config. Bacs) est utilisée ou non.		
	LOGICAL TRAY0 (Bac Logique 0) - LOGICAL TRAY9 (Bac Logique 9)	Paramètres	<b>PHYSICAL TRAY1 (Bac Physique 1) / PHYSICAL TRAY2 (Bac Physique 2) / PHYSICAL TRAY3 (Bac Physique 3)</b>
		<p>Sélectionnez le bac à utiliser pour imprimer un travail d'impression reçu d'un pilote d'imprimante d'un autre fabricant.</p> <p>Les paramètres par défaut sont : <b>PHYSICAL TRAY1 (Bac Physique 1)</b> pour <b>LOGICAL TRAY1 (Bac Logique 1)</b> et <b>PHYSICAL TRAY2 (Bac Physique 2)</b> pour les autres bacs.</p> <p><b>Remarque :</b></p> <p>L'option <b>PHYSICAL TRAY3 (Bac Physique 3)</b> n'apparaît que si le chargeur papier de 500 feuilles optionnel est installé.</p>	
DUPLEX (Recto-Verso)		Paramètres	<b>OFF (Off) / LONG EDGE (Bord Long) / SHORT EDGE (Bord Court)</b>
		<p>Si <b>LONG EDGE (Bord Long)</b> est sélectionné, les pages s'impriment des deux côtés de manière à pouvoir être reliées sur le bord long.</p> <p>Si <b>SHORT EDGE (Bord Court)</b> est sélectionné, les pages s'impriment des deux côtés de manière à pouvoir être reliées sur le bord court.</p> <p>Le paramètre défini dans le pilote de l'imprimante est prioritaire sur celui défini dans ce menu.</p>	
COPIES (Copies)		Paramètres	<b>1 à 9999 (par défaut : 1)</b>
		<p>Spécifiez le nombre de copies à imprimer.</p> <p>Le paramètre défini dans le pilote de l'imprimante est prioritaire sur celui défini dans ce menu.</p>	

COLLATE (Assembler)* <sup>2</sup>	Paramètres	ON (On)/ <b>OFF (Off)</b>
	Activez ou désactivez l'impression des copies triées. Le paramètre défini dans le pilote de l'imprimante est prioritaire sur celui défini dans ce menu.	

\*<sup>1</sup> Cette option de menu n'apparaît que si le chargeur papier de 500feuilles optionnel est installé.

\*<sup>2</sup> Cette option de menu n'apparaît que si un disque dur optionnel est installé.

## Menu **QUALITY (Qualité)**

### **Remarque :**

*Les paramètres par défaut définis par le fabricant apparaissent en gras.*

COLOR MODE (Mode Couleur)	Paramètres	<b>COLOR (Couleur)</b> /GRAYSCALE (Niveaux Gris)
	Si <b>COLOR (Couleur)</b> est sélectionné, les pages sont imprimées en couleur. Si <b>GRAYSCALE (Niveaux Gris)</b> est sélectionné, les pages sont imprimées en noir et blanc.	
BRIGHTNESS (Luminosité)	Paramètres	+15% / +10% / +5% / <b>0%</b> / -5% / -10% / -15%
	Vous pouvez régler la luminosité de l'image imprimée.	

HALFTONE (Demi-Ton)	IMAGE PRINTING (Rendu Image)	Paramètres	LINE ART (Dessin Filaire)/ <b>DETAIL (Detail)</b> / SMOOTH (Lissage)
		<p>Sélectionnez le mode de reproduction des demi-tons dans les images.</p> <p>Si <b>LINE ART (Dessin Filaire)</b> est sélectionné, les demi-tons sont reproduits avec une très haute précision.</p> <p>Si <b>DETAIL (Detail)</b> est sélectionné, les demi-tons sont reproduits de façon détaillée.</p> <p>Si <b>SMOOTH (Lissage)</b> est sélectionné, les demi-tons sont reproduits avec un aspect lisse.</p>	
	TEXT PRINTING (Rendu Texte)	Paramètres	<b>LINE ART (Dessin Filaire)</b> /DETAIL (Detail)/ SMOOTH (Lissage)
		<p>Sélectionnez le mode de reproduction des demi-tons dans le texte.</p> <p>Si <b>LINE ART (Dessin Filaire)</b> est sélectionné, les demi-tons sont reproduits avec une très haute précision.</p> <p>Si <b>DETAIL (Detail)</b> est sélectionné, les demi-tons sont reproduits de façon détaillée.</p> <p>Si <b>SMOOTH (Lissage)</b> est sélectionné, les demi-tons sont reproduits avec un aspect lisse.</p>	
	GRFX. PRINTING (Rendu Graphique)	Paramètres	LINE ART (Dessin Filaire)/ <b>DETAIL (Detail)</b> / SMOOTH (Lissage)
		<p>Sélectionnez le mode de reproduction des demi-tons dans les graphiques.</p> <p>Si <b>LINE ART (Dessin Filaire)</b> est sélectionné, les demi-tons sont reproduits avec une très haute précision.</p> <p>Si <b>DETAIL (Detail)</b> est sélectionné, les demi-tons sont reproduits de façon détaillée.</p> <p>Si <b>SMOOTH (Lissage)</b> est sélectionné, les demi-tons sont reproduits avec un aspect lisse.</p>	

EDGE ENHANCEMENT (Amélior. Contour)	IMAGE PRINTING (Rendu Image)	Paramètres	ON (On)/ <b>OFF (Off)</b>
		Indiquez si les contours des images sont renforcés ou non. <b>Remarque :</b> Si le paramètre ECONOMY PRINT (Impr. Economique) est activé (ON (On)), les contours ne peuvent pas être renforcés.	
	TEXT PRINTING (Rendu Texte)	Paramètres	<b>ON (On)</b> /OFF (Off)
		Indiquez si les contours de texte sont renforcés ou non.	
	GRFX. PRINTING (Rendu Graphique)	Paramètres	<b>ON (On)</b> /OFF (Off)
		Indiquez si les contours des graphiques sont renforcés ou non. <b>Remarque :</b> Si le paramètre ECONOMY PRINT (Impr. Economique) est activé (ON (On)), les contours ne peuvent pas être renforcés.	
EDGE STRENGTH (Force Contour)	Paramètres	OFF (Off) / LOW (Bas) / <b>MIDDLE (Centre)</b> / HIGH (Haut)	
	Sélectionnez le degré de renforcement des contours. <b>Remarque :</b> Si l'option OFF (Off) est sélectionnée, les contours ne sont pas renforcés, même si l'option de menu EDGE ENHANCEMENT (Amélior. Contour) est activée (ON (On)).		
ECONOMY PRINT (Impr. Economique)	Paramètres	ON (On)/ <b>OFF (Off)</b>	
	Indiquez si les graphiques sont imprimés avec une densité réduite en réduisant la quantité de toner utilisée. <b>Remarque :</b> Si l'option ON (On) est sélectionnée, les contours ne sont pas renforcés, même si les options IMAGE PRINTING (Rendu Image) et GRFX. PRINTING (Rendu Graphique) du paramètre EDGE ENHANCEMENT (Amélior. Contour) sont activées (ON (On)).		

PCL SETTING (Parametre PCL)	CONTRAST (Contraste)	Paramètres	+15% / +10% / +5% / <b>0%</b> / -5% / -10% / -15%	
		Vous pouvez régler le contraste de l'image.		
	IMAGE PRINTING (Rendu Image)	RGB SOURCE (Source RVB)	Paramètres	DEVICE COLOR (Couleur Periph.) / <b>sRGB</b>
		<p>Spécifiez l'espace couleur pour les données RVB d'images.</p> <p>Si DEVICE COLOR (Couleur Periph.) est sélectionné, aucun espace couleur n'est défini.</p> <p>Les profils source RVB téléchargés avec Web-Based EpsonNet Config sont disponibles en tant que RGB SOURCE (Source RVB).</p>		

	RGB INTENT (Rendu RVB)	Paramètres	VIVID (Realiste)/ <b>PHOTOGRAPHIC (Photographique)</b>
		<p>Spécifiez la caractéristique à appliquer lors de la conversion de données RVB d'images en données CMJN.</p> <p>Si VIVID (Realiste) est sélectionné, la sortie est réaliste.</p> <p>Si PHOTOGRAPHIC (Photographique) est sélectionné, la sortie est plus éclatante.</p>	
	RGB GRAY (Gris RVB)	Paramètres	<b>COMPOSITE BLACK (Noir Composite)/BLACK AND GRAY (Noir et Gris)/BLACK ONLY (Noir Seul)</b>
		<p>Spécifiez le mode de reproduction du noir et des gris de données RVB d'images.</p> <p>Si COMPOSITE BLACK (Noir Composite) est sélectionné, le noir est reproduit en utilisant les quatre couleurs CMJN.</p> <p>Si BLACK AND GRAY (Noir et Gris) est sélectionné, le noir et le gris sont reproduits en utilisant uniquement le noir.</p> <p>Si BLACK ONLY (Noir Seul) est sélectionné, le noir est reproduit en utilisant uniquement le noir.</p>	
TEXT PRINTING (Rendu Texte)	RGB SOURCE (Source RVB)	Paramètres	DEVICE COLOR (Couleur Periph.) / <b>sRGB</b>
		<p>Spécifiez l'espace couleur pour les données RVB de texte.</p> <p>Si DEVICE COLOR (Couleur Periph.) est sélectionné, aucun espace couleur n'est défini.</p> <p>Les profils source RVB téléchargés avec Web-Based EpsonNet Config sont disponibles en tant que RGB SOURCE (Source RVB).</p>	

		RGB INTENT (Rendu RVB)	Paramètres	<b>VIVID (Realiste)</b> /PHOTOGRAPHIC (Photographique)
			<p>Spécifiez la caractéristique à appliquer lors de la conversion de données RVB de texte en données CMJN.</p> <p>Si <b>VIVID (Realiste)</b> est sélectionné, la sortie est réaliste.</p> <p>Si <b>PHOTOGRAPHIC (Photographique)</b> est sélectionné, la sortie est plus éclatante.</p>	
		RGB GRAY (Gris RVB)	Paramètres	COMPOSITE BLACK (Noir Composite)/ <b>BLACK AND GRAY (Noir et Gris)</b> /BLACK ONLY (Noir Seul)
			<p>Spécifiez le mode de reproduction du noir et des gris de données RVB de texte.</p> <p>Si <b>COMPOSITE BLACK (Noir Composite)</b> est sélectionné, le noir est reproduit en utilisant les quatre couleurs CMJN.</p> <p>Si <b>BLACK AND GRAY (Noir et Gris)</b> est sélectionné, le noir et le gris sont reproduits en utilisant uniquement le noir.</p> <p>Si <b>BLACK ONLY (Noir Seul)</b> est sélectionné, le noir est reproduit en utilisant uniquement le noir.</p>	



GRFX. PRINTING (Rendu Graphique)	RGB SOURCE (Source RVB)	Paramètres	DEVICE COLOR (Couleur Periph) / <b>sRGB</b>
		<p>Spécifiez l'espace couleur pour les données RVB de graphiques.</p> <p>Si DEVICE COLOR (Couleur Periph.) est sélectionné, aucun espace couleur n'est défini.</p> <p>Les profils source RVB téléchargés avec Web-Based EpsonNet Config sont disponibles en tant que RGB SOURCE (Source RVB).</p>	
	RGB INTENT (Rendu RVB)	Paramètres	<b>VIVID (Realiste)</b> /PHOTOGRAPHIC (Photographique)
		<p>Spécifiez la caractéristique à appliquer lors de la conversion de données RVB de graphiques en données CMJN.</p> <p>Si VIVID (Realiste) est sélectionné, la sortie est réaliste.</p> <p>Si PHOTOGRAPHIC (Photographique) est sélectionné, la sortie est plus éclatante.</p>	
	RGB GRAY (Gris RVB)	Paramètres	COMPOSITE BLACK (Noir Composite)/ <b>BLACK AND GRAY (Noir et Gris)</b> /BLACK ONLY (Noir Seul)
		<p>Spécifiez le mode de reproduction du noir et des gris de données RVB de graphiques.</p> <p>Si COMPOSITE BLACK (Noir Composite) est sélectionné, le noir est reproduit en utilisant les quatre couleurs CMJN.</p> <p>Si BLACK AND GRAY (Noir et Gris) est sélectionné, le noir et le gris sont reproduits en utilisant uniquement le noir.</p> <p>Si BLACK ONLY (Noir Seul) est sélectionné, le noir est reproduit en utilisant uniquement le noir.</p>	

PS SETTINGS (Paramètre PS)	IMAGE PRINTING (Rendu Image)	RGB SOURCE (Source RVB)	Paramètres	DEVICE COLOR (Couleur Périph.) / <b>sRGB</b> / AppleRGB / AdobeRGB1998 / ColorMatchRGB / BlueAdjustRGB
			<p>Spécifiez l'espace couleur pour les données RVB d'images.</p> <p>Si DEVICE COLOR (Couleur Périph.) est sélectionné, aucun espace couleur n'est défini.</p> <p>Les profils source RVB téléchargés avec Web-Based EpsonNet Config sont disponibles en tant que RGB SOURCE (Source RVB).</p>	
		RGB INTENT (Rendu RVB)	Paramètres	VIVID (Realiste) / <b>PHOTOGRAPHIC (Photographique)</b> / RELATIVE COLOR (Couleur Relative) / ABSOLUTE COLOR (Couleur Absolue)
			<p>Spécifiez la caractéristique à appliquer lors de la conversion de données RVB d'images en données CMJN.</p> <p>Si VIVID (Realiste) est sélectionné, la sortie est réaliste.</p> <p>Si PHOTOGRAPHIC (Photographique) est sélectionné, la sortie est plus éclatante.</p> <p>Si RELATIVE COLOR (Couleur Relative) est sélectionné, la couleur relative est appliquée au profil source RVB.</p> <p>Si ABSOLUTE COLOR (Couleur Absolue) est sélectionné, la couleur absolue est appliquée au profil source RVB.</p>	

		RGB GRAY (Gris RVB)	Paramètres	<b>COMPOSITE BLACK (Noir Composite)/BLACK AND GRAY (Noir et Gris)/BLACK ONLY (Noir Seul)</b>
			<p>Spécifiez le mode de reproduction du noir et des gris de données RVB d'images.</p> <p>Si <b>COMPOSITE BLACK (Noir Composite)</b> est sélectionné, le noir est reproduit en utilisant les quatre couleurs CMJN.</p> <p>Si <b>BLACK AND GRAY (Noir et Gris)</b> est sélectionné, le noir et le gris sont reproduits en utilisant uniquement le noir.</p> <p>Si <b>BLACK ONLY (Noir Seul)</b> est sélectionné, le noir est reproduit en utilisant uniquement le noir.</p>	
		DESTINATION PROF (Profil Destinataire)	Paramètres	AUTO (Autom.)
			<p>Spécifiez le profil de destination.</p> <p>Si <b>AUTO (Autom.)</b> est sélectionné, le profil de destination que la machine adapte automatiquement est défini d'après une combinaison de la correspondance des couleurs, des demi-tons et d'autres profils spécifiés.</p> <p>Les profils de destination téléchargés avec Web-Based EpsonNet Config sont disponibles en tant que <b>DESTINATION PROF (Profil Destinataire)</b>.</p>	

	TEXT PRINTING (Rendu Texte)	RGB SOURCE (Source RVB)	Paramètres	DEVICE COLOR (Couleur Périph.) / <b>sRGB</b> / AppleRGB / AdobeRGB1998 / ColorMatchRGB / BlueAdjustRGB
			<p>Spécifiez l'espace couleur pour les données RVB de texte.</p> <p>Si DEVICE COLOR (Couleur Périph.) est sélectionné, aucun espace couleur n'est défini.</p> <p>Les profils source RVB téléchargés avec Web-Based EpsonNet Config sont disponibles en tant que RGB SOURCE (Source RVB).</p>	
		RGB INTENT (Rendu RVB)	Paramètres	<b>VIVID (Realiste)</b> / PHOTOGRAPHIC (Photographique) / RELATIVE COLOR (Couleur Relative) / ABSOLUTE COLOR (Couleur Absolue)
			<p>Spécifiez la caractéristique à appliquer lors de la conversion de données RVB de texte en données CMJN.</p> <p>Si VIVID (Realiste) est sélectionné, la sortie est réaliste.</p> <p>Si PHOTOGRAPHIC (Photographique) est sélectionné, la sortie est plus éclatante.</p> <p>Si RELATIVE COLOR (Couleur Relative) est sélectionné, la couleur relative est appliquée au profil source RVB.</p> <p>Si ABSOLUTE COLOR (Couleur Absolue) est sélectionné, la couleur absolue est appliquée au profil source RVB.</p>	

		RGB GRAY (Gris RVB)	Paramètres	COMPOSITE BLACK (Noir Composite)/ <b>BLACK AND GRAY (Noir et Gris)</b> /BLACK ONLY (Noir Seul)
			<p>Spécifiez le mode de reproduction du noir et des gris de données RVB de texte.</p> <p>Si COMPOSITE BLACK (Noir Composite) est sélectionné, le noir est reproduit en utilisant les quatre couleurs CMJN.</p> <p>Si BLACK AND GRAY (Noir et Gris) est sélectionné, le noir et le gris sont reproduits en utilisant uniquement le noir.</p> <p>Si BLACK ONLY (Noir Seul) est sélectionné, le noir est reproduit en utilisant uniquement le noir.</p>	
		DESTINATION PROF (Profil Destin.)	Paramètres	AUTO (Autom.)
			<p>Spécifiez le profil de destination.</p> <p>Si AUTO (Autom.) est sélectionné, le profil de destination que la machine adapte automatiquement est défini d'après une combinaison de la correspondance des couleurs, des demi-tons et d'autres profils spécifiés.</p> <p>Les profils de destination téléchargés avec Web-Based EpsonNet Config sont disponibles en tant que DESTINATION PROF (Profil Destin.).</p>	

	GRFX. PRINTING (Rendu Graphique)	RGB SOURCE (Source RVB)	Paramètres	DEVICE COLOR (Couleur Périph.) / <b>sRGB</b> / AppleRGB / AdobeRGB1998 / ColorMatchRGB / BlueAdjustRGB
			<p>Spécifiez l'espace couleur pour les données RVB de graphiques.</p> <p>Si DEVICE COLOR (Couleur Périph.) est sélectionné, aucun espace couleur n'est défini.</p> <p>Les profils source RVB téléchargés avec Web-Based EpsonNet Config sont disponibles en tant que RGB SOURCE (Source RVB).</p>	
		RGB INTENT (Rendu RVB)	Paramètres	<b>VIVID (Realiste)</b> / PHOTOGRAPHIC (Photographique) / RELATIVE COLOR (Couleur Relative) / ABSOLUTE COLOR (Couleur Absolue)
			<p>Spécifiez la caractéristique à appliquer lors de la conversion de données RVB de graphiques en données CMJN.</p> <p>Si VIVID (Realiste) est sélectionné, la sortie est réaliste.</p> <p>Si PHOTOGRAPHIC (Photographique) est sélectionné, la sortie est plus éclatante.</p> <p>Si RELATIVE COLOR (Couleur Relative) est sélectionné, la couleur relative est appliquée au profil source RVB.</p> <p>Si ABSOLUTE COLOR (Couleur Absolue) est sélectionné, la couleur absolue est appliquée au profil source RVB.</p>	

		RGB GRAY (Gris RVB)	Paramètres	COMPOSITE BLACK (Noir Composite)/ <b>BLACK AND GRAY (Noir et Gris)</b> /BLACK ONLY (Noir Seul)
			<p>Spécifiez le mode de reproduction du noir et des gris de données RVB de graphiques.</p> <p>Si COMPOSITE BLACK (Noir Composite) est sélectionné, le noir est reproduit en utilisant les quatre couleurs CMJN.</p> <p>Si BLACK AND GRAY (Noir et Gris) est sélectionné, le noir et le gris sont reproduits en utilisant uniquement le noir.</p> <p>Si BLACK ONLY (Noir Seul) est sélectionné, le noir est reproduit en utilisant uniquement le noir.</p>	
		DESTINATION PROF (Profil Destin.)	Paramètres	AUTO (Autom.)
			<p>Spécifiez le profil de destination.</p> <p>Si AUTO (Autom.) est sélectionné, le profil de destination que la machine adapte automatiquement est défini d'après une combinaison de la correspondance des couleurs, des demi-tons et d'autres profils spécifiés.</p> <p>Les profils de destination téléchargés avec Web-Based EpsonNet Config sont disponibles en tant que DESTINATION PROF (Profil Destin.).</p>	

	SIMULATION (Simulation)	SIMULATION PROF (Profil Simulation)	Paramètres	<b>NONE (Aucun)</b> / SWOP / Euroscale / CommercialPress / JapanColor / TOYO / DIC
			<p>Spécifiez le profil de simulation</p> <p>Si <b>NONE (Aucun)</b> est sélectionné, aucun profil de simulation n'est défini.</p> <p>Les profils de simulation téléchargés avec Web-Based EpsonNet Config sont disponibles en tant que SIMULATION PROF (Profil Simulation).</p>	
	SIM. INTENT (Essai Simulation)		Paramètres	<b>RELATIVE COLOR (Couleur Relative)</b> /ABSOLUTE COLOR (Couleur Absolue)
			<p>Spécifiez la caractéristique du profil de simulation.</p> <p>Si <b>RELATIVE COLOR (Couleur Relative)</b> est sélectionné, la couleur relative est appliquée au profil de simulation.</p> <p>Si <b>ABSOLUTE COLOR (Couleur Absolue)</b> est sélectionné, la couleur absolue est appliquée au profil de simulation.</p>	
	CMYK GRAY (Gris CMJN)		Paramètres	<b>COMPOSITE BLACK (Noir Composite)</b> /BLACK AND GRAY (Noir et Gris)/BLACK ONLY (Noir Seul)
			<p>Spécifiez le mode de reproduction du noir et des gris à l'aide des quatre couleurs CMJN.</p> <p>Si <b>COMPOSITE BLACK (Noir Composite)</b> est sélectionné, le noir est reproduit en utilisant les quatre couleurs CMJN.</p> <p>Si <b>BLACK AND GRAY (Noir et Gris)</b> est sélectionné, le noir et le gris sont reproduits en utilisant uniquement le noir.</p> <p>Si <b>BLACK ONLY (Noir Seul)</b> est sélectionné, le noir est reproduit en utilisant uniquement le noir.</p>	



CALIBRATION (Calibrage)	TONE CALIBRATION (Etalonnage Ton)	Paramètres	<b>ON (On)/OFF (Off)</b>			
		Si <b>ON (On)</b> est sélectionné, les réglages d'image sont appliqués. Si <b>OFF (Off)</b> est sélectionné, les réglages d'image ne sont pas appliqués.				
	CMYK DENSITY (Densité CMJN)	CYAN (Cyan)/MAGENTA (Magenta)/YELLOW (Jaune)/BLACK (Noir)	HIGHLIGHT (Clair)	Paramètres	+3 / +2 / +1 / <b>0</b> / -1 / -2 / -3	
				Vous pouvez régler la densité des tons clairs dans les images.		
MIDDLE (Centre)			Paramètres	+3 / +2 / +1 / <b>0</b> / -1 / -2 / -3		
			Vous pouvez régler la densité des tons moyens dans les images.			
		SHADOW (Obscur)	Paramètres	+3 / +2 / +1 / <b>0</b> / -1 / -2 / -3		
			Vous pouvez régler la densité des tons obscurs dans les images.			
COLOR SEPARATION (Separation Couleurs)	Paramètres	<b>ON (On)/OFF (Off)</b>				
	Si <b>ON (On)</b> est sélectionné, la séparation des couleurs est effectuée. Le contenu d'une page couleur est séparé en quatre pages pour imprimer respectivement le jaune, le magenta, le cyan et le noir, chaque page étant imprimée individuellement avec des dégradés de noir. L'ordre d'impression est le suivant : jaune, magenta, cyan et noir. Si <b>OFF (Off)</b> est sélectionné, la séparation des couleurs n'est pas effectuée. Une séparation normale des couleurs est effectuée.					

## Menu **SYS DEFAULT (Defaut Sys.)**

### Remarque :

Les paramètres par défaut définis par le fabricant apparaissent en gras.

EMULATION (Emulation)	DEF. EMULATION (Emul. Par Defaut)	Paramètres	<b>AUTO (Autom.)</b> / POSTSCRIPT / PCL		
		Spécifiez le langage d'émulation de la machine. Si <b>AUTO (Autom.)</b> est sélectionné, la machine sélectionne automatiquement le langage d'émulation à partir du flux de données.			
	POSTSCRIPT	WAIT TIME OUT (Delai Attente)	Paramètres	0 à 300 (par défaut : <b>0</b> )	
			Spécifiez le délai au bout duquel une erreur doit être considérée comme une erreur PostScript. Si <b>0</b> est sélectionné, aucun délai n'est appliqué.		
	PS ERROR PAGE (Page Erreurs PS)	PS ERROR PAGE (Page Erreurs PS)	Paramètres	<b>ON (On)/OFF (Off)</b>	
			Indiquez si une page d'erreur doit être imprimée ou non à la suite d'une erreur Postscript.		
	PS PROTOCOL (Protocole PS)	PS PROTOCOL (Protocole PS)	Paramètres	<b>AUTO (Autom.)</b> /NORMAL (Norm)/ BINARY (Binaire)	
Spécifiez le protocole de transmission de données avec un flux de données PostScript. Si <b>AUTO (Autom.)</b> est sélectionné, la machine sélectionne automatiquement un protocole applicable à partir du flux de données.					
AUTO TRAPPING	AUTO TRAPPING	Paramètres	<b>ON (On)/OFF (Off)</b>		
		Indiquez si les couleurs voisines doivent être imprimées ou non en superposition afin d'éviter les espaces blancs autour des images.			
BLACK OVER-PRINT (Surimpr. noir)	BLACK OVER-PRINT (Surimpr. noir)	Paramètres	TEXT/GRAPHIC (TEXTE/GRAPHIQUE), TEXT (Texte)/ <b>OFF (Off)</b>		
		Spécifiez si les objets noirs sont imprimés (en superposition) ou non sur une couleur voisine afin d'éviter les espaces blancs autour des caractères ou des chiffres noirs. Si <b>TEXT/GRAPHIC (TEXTE/GRAPHIQUE)</b> est sélectionné, l'impression superposée est appliquée au texte et aux graphiques. Si <b>TEXT (Texte)</b> est sélectionné, l'impression superposée est appliquée au texte.			

PCL	CR/LF MAPPING (Formatage CR/LF)	Paramètres	<b>CR=CR LF=LF / CR=CRLF LF=LF / CR=CR LF=LFCR / CR=CRLF LF=LFCR</b>		
		Sélectionnez les définitions des codes CR/LF dans le langage PCL.			
	LINES PER PAGE (Lignes Par Page)	Paramètres	5 à 128 (par défaut : <b>60</b> )		
		Spécifiez le nombre de lignes par page dans le langage PCL.			
	FONT SOURCE (Source Polices)	FONT NUMBER (Numero Ppolice)	Paramètres	0 à 102 (par défaut : <b>0</b> )	
			Spécifiez la police par défaut dans le langage PCL.  Les numéros de police qui s'affichent correspondent à la liste des polices PCL. Pour plus d'informations sur l'impression de la liste des polices, voir « REPORT (Rapport) » à la page 49.		
		PITCH SIZE (POINT SIZE) (Espace-ment (Taille Point))	Paramètres	0.44 à 99.99 (par défaut : <b>10.00</b> )  (4.00 à 999.75 (par défaut : <b>12.00</b> ))	
Spécifiez la taille de la police dans le langage PCL.  Si la sélection FONT NUMBER (Numero Ppolice) concerne une police bitmap, PITCH SIZE (Espace-ment) s'affiche. Si la sélection FONT NUMBER (Numero Ppolice) concerne une police de contour, POINT SIZE (Taille Point) s'affiche.					
SYMBOL SET (Jeu Symboles)	Spécifiez le jeu de symboles utilisé avec le langage PCL.  Par défaut : <b>PC8.</b>				

	XPS*1	DIGITAL SGN (Sign. Numeriq)	Paramètres	<b>ENABLE (Activer)/DISABLE (Désactiv.)</b>
			<p>Activez ou désactivez les signatures numériques XPS.</p> <p>Si <b>ENABLE (Activer)</b> est sélectionné, les signatures numériques XPS sont activées.</p> <p>Si <b>DISABLE (Désactiv.)</b> est sélectionné, les signatures numériques XPS sont désactivées.</p>	
	XPS ERROR PAGE (Page Erreur XPS)	Paramètres	<b>ON (On)/OFF (Off)</b>	
		<p>Indiquez si un rapport d'erreur doit être ou non imprimé à la suite d'une erreur XPS.</p> <p>Si <b>ON (On)</b> est sélectionné, le rapport d'erreur est imprimé.</p> <p>Si <b>OFF (Off)</b> est sélectionné, le rapport d'erreur n'est pas imprimé.</p>		

PAPER (Papier)	DEFAULT PAPER (Papier Par Def)	PAPER SIZE (Format papier)	Paramètres	LETTER (Letter) / LEGAL (Legal) / EXECUTIVE (Executive) / <b>A4</b> / A5 / A6 / B5(JIS) / B6(JIS) / GOVT LETTER (Letter off.) / STATEMENT (Statement) / FOLIO (Folio) / SP FOLIO (SP Folio) / UK QUARTO (UK Quarto) / FOOLSCAP (Foolscap) / GOVT LEGAL (Legal off.) / 16K / PHOTO 4x6 (Format photo 4x6) / KAI 16 / KAI 32 / ENV C6 (Env C6) / ENV DL (Env DL) / ENV MONARCH (Env Monarch) / ENV CHOU#3 (Env Chou#3) / ENV CHOU#4 (Env Chou#4) / B5(ISO) / ENV #10 (Env #10) / JPOST 100x148 / JPOST-D 148x200 / 8 1/8x13 1/4 / 8 1/2x13 1/2 / CUSTOM (Personnalise)
			Sélectionnez le format du support normalement utilisé. <b>Remarque :</b> Selon le paramètre sélectionné pour UTILITY (Utilitaire) / ADMIN. MANAGEMENT (Gestion admin.) / USER SETTING (Param. Utilisat.) / PRESET ZOOM (Zoom Prédéfini), PHOTO 4x6 (Format photo 4x6) peut avoir la valeur PHOTO 10x15 (Format photo 10x15).	
		CUSTOM SIZE (Personnalise)*2	Spécifiez le format du support lorsque le paramètre PAPER SIZE (Format papier) a la valeur CUSTOM (Personnalise). Les valeurs pouvant être sélectionnées pour WIDTH (Largeur) vont de 92 à 216 mm.  Par défaut : <b>210</b> mm.  Les valeurs pouvant être sélectionnées pour LENGTH (Longueur) vont de 148 à 356 mm.  Par défaut : <b>297</b> mm.	
	PAPER TYPE (Type De Papier)	Paramètres	<b>PLAIN PAPER (Papier standard)</b> / RECYCLED (Recycle) / THICK 1 (EPAIS 1) / THICK 2 (EPAIS 2) / LABEL (Etiquettes) / ENVELOPE (Enveloppe) / POSTCARD (Carte) / LETTERHEAD (En-Tete) / GLOSSY 1 (Brillant 1) / GLOSSY 2 (Brillant2) / SINGLE SIDE ONLY (Recto seul) / SPECIAL PAPER (Pap. spécial)	
Sélectionnez le type de support normalement utilisé.				

GRAYSCALE PAGE (Page Niveau Gris)	Paramètres	<b>AUTO (Autom.)</b> /GRAYSCALE PRINT (Impr. Niveau Gris)/COLOR PRINT (Impr. Couleur)	
	<p>Spécifiez le mode d'impression des pages noir et blanc dans un travail défini pour une impression couleur.</p> <p>Si l'option <b>AUTO (Autom.)</b> est sélectionnée, l'imprimante détermine si les données sont en couleur ou en noir et blanc avant de les imprimer.</p> <p>Si <b>GRAYSCALE PRINT (Impr. Niveau Gris)</b> est sélectionné, l'impression s'effectue automatiquement en noir et blanc en fonction de chaque page. Ceci peut ralentir la vitesse d'impression dans certains cas, mais la consommation des cartouches toner couleur et du bloc photoconducteur s'en trouve réduite.</p> <p>Si <b>COLOR PRINT (Impr. Couleur)</b> est sélectionné, l'impression s'effectue en couleur, même pour une page noir et blanc.</p>		
STARTUP OPTIONS (Options d'init)	DO START-UP PAGE (Imprim. Pge Init)	Paramètres	<b>ON (On)</b> / <b>OFF (Off)</b>
		Indiquez si une page de départ est imprimée ou non lors du démarrage de la machine.	
HOLD JOB TIME OUT (Tps Stock Trav)*1	Paramètres	<b>DISABLE (Désactiv.)</b> /1 hour (1 heure)/4 hours (4 heures)/1 day (1 jour)/1 week (1 semaine)	
	Spécifiez le délai au bout duquel les travaux enregistrés sur le disque dur doivent être supprimés. Si <b>DISABLE (Désactiv.)</b> est sélectionné, les travaux ne sont pas supprimés au bout d'un délai défini.		
HDD FORMAT (Format HDD)*1	USER AREA ONLY (Utilisateur Seul)	Permet d'initialiser la zone utilisateur du disque dur. Quand vous sélectionnez cette option de menu, la machine redémarre automatiquement.	
	ALL (Tout)	Permet d'initialiser le disque dur. Quand vous sélectionnez cette option de menu, la machine redémarre automatiquement.	

\*1 Cette option de menu n'apparaît que si un disque dur optionnel est installé.

\*2 Cette option n'apparaît que si le paramètre **PAPER SIZE (Format papier)** a la valeur **CUSTOM (Personnalisée)**.

## Menu **MEMORY PRINT (impress. mémoire)**

Pour afficher l'écran **MEMORY PRINT (impress. mémoire)**, sélectionnez **MEMORY PRINT (impress. mémoire)** sur l'écran principal (Mode Copie), et appuyez sur la touche **Select**. Ce menu permet de lancer des impressions directement à partir de la mémoire et de définir les paramètres pour ces impressions.

**Remarque :**

- ❑ *Cette option de menu n'apparaît que si un disque dur optionnel est installé. Par ailleurs, cette option de menu n'apparaît pas si l'accès utilisateur public n'a pas été autorisé au moyen des paramètres d'authentification. Pour plus d'informations sur les paramètres d'authentification, voir le Reference Guide (Guide de Référence).*
  
- ❑ *Les paramètres par défaut définis par le fabricant apparaissent en gras.*

LIST OF FILES (liste de fichiers)	Sélectionnez le fichier que vous voulez imprimer, puis appuyez sur la touche <b>Select</b> . Si le fichier à imprimer se trouve dans un dossier, sélectionnez ce dossier, puis appuyez sur la touche <b>Select</b> .	
	PAPER SELECT (select. papier)	<p>Paramètres</p> <p>LETTER (Letter) / LEGAL (Legal) / EXECUTIVE (Executive) / <b>A4</b> / A5 / A6 / B5(JIS) / B6(JIS) / GOVT LETTER (Letter off.) / STATEMENT (Statement) / FOLIO (Folio) / SP FOLIO (SP Folio) / UK QUARTO (UK Quarto) / FOOLSCAP (Foolscap) / GOVT LEGAL (Legal off.) / 16K / PHOTO 4x6 (Format photo 4x6) / KAI 16 / KAI 32 / ENV C6 (Env C6) / ENV DL/ENV MONARCH (Env DL/Env Monarch) / ENV CHOU#3 (Env Chou#3) / ENV CHOU#4 (Env Chou#4) / B5(ISO) / ENV #10 (Env #10) / JPOST 100x148 / JPOST-D 148x200 / 8 1/8x13 1/4 / 8 1/2x13 1/2 / CUSTOM (Personnalise)</p> <p>Permet de modifier le format du papier.</p> <p><b>Remarque :</b></p> <ul style="list-style-type: none"> <li><input type="checkbox"/> Le paramètre par défaut est l'option sélectionnée pour PS/PCL PRINT (impression PS/PCL) / SYS DEFAULT MENU (Menu Defaut Sys.) / PAPER (Papier) / DEFAULT PAPER (Papier Par Def.) / PAPER SIZE (Format papier).</li> <li><input type="checkbox"/> Selon le paramètre sélectionné pour UTILITY (Utilitaire) / ADMIN. MANAGEMENT (Gestion admin.) / USER SETTING (Param. Utilisat.) / PRESET ZOOM (Zoom Prédéfini), PHOTO 4x6 (Format photo 4x6) peut avoir la valeur PHOTO 10x15 (Format photo 10x15).</li> <li><input type="checkbox"/> Cette option de menu n'apparaît pas si le fichier sélectionné est au format PDF ou XPS.</li> </ul>
	SIMPLEX/DUPLEX (Recto/Rect-Vers)	<p>Paramètres</p> <p><b>1-SIDE (recto)</b> / 2-SIDE (recto-verso)</p> <p>Si 2-SIDE (recto-verso) est sélectionné, l'impression recto-verso est possible.</p> <p>Si LONG EDGE (Bord Long) est sélectionné, la page s'imprime des deux côtés de manière à pouvoir être reliée sur le bord long.</p> <p>Si SHORT EDGE (Bord Court) est sélectionné, la page s'imprime des deux côtés de manière à pouvoir être reliée sur le bord court.</p> <p>Si OFF (Off) est sélectionné, l'impression recto-verso n'est pas effectuée.</p>



	COPY QUANTITY (nombre de copies)	Paramètres	1 à 9999 (par défaut : <b>1</b> )
		Spécifiez le nombre de copies à imprimer (de 1 à 9999). <b>Remarque :</b> Cette option de menu n'apparaît pas si le fichier sélectionné est au format XPS.	
	COPY FINISHING (fi- nition copie)	Paramètres	<b>NON-SORT (Non-tri) / SORT (tri)</b>
		Activez ou désactivez le tri des copies. Si <b>NON-SORT (Non-tri)</b> est sélectionné, le tri des imprimés n'est pas effectué. Si <b>SORT (tri)</b> est sélectionné, le tri des imprimés est effectué.	
TYPE OF FILES (Type de fichier)	Paramètres	<b>PDF,XPS,JPEG,TIFF / PDF,XPS</b>	
		Sélectionnez le type de fichiers à afficher.	

## Chapitre 3

### Gestion des supports

#### Supports d'impression

#### Spécifications

Support	Bac*1	Recto-verso	Copie	Impression	FAX*2
Letter	1/2/3	Oui	Oui	Oui	Oui
Legal	1/3	Oui	Oui*3	Oui*3	Oui
Statement	1/2	Non	Oui	Oui	Non
Executive	1/2/3	Oui	Oui	Non	Non
A4	1/2/3	Oui	Oui	Oui	Oui
A5	1/2	Non	Oui	Oui	Non
A6	1/2	Non	Non	Non	Non
B5 (JIS)	1/2/3	Oui	Oui	Oui	Non
B6	1/2	Oui	Non	Non	Non
Folio	1	Oui	Oui*3	Oui*4	Non
SP Folio	1	Oui	Non	Non	Non
Foolscap	1	Oui	Non	Non	Non
UK Quarto	1/2	Oui	Non	Non	Non
Letter (officiel)	1/2	Oui	Oui	Non	Non
Legal (officiel)	1/3	Oui	Non	Non	Non
Photo (4 x 6 / 10 x 15)	1/2	Non	Non	Non	Non
16 K	1/2	Oui	Non	Non	Non
Kai 16	1/2	Oui	Non	Non	Non
Kai 32	1/2	Non	Non	Non	Non

Support	Bac*1	Recto-verso	Copie	Impression	FAX*2
8 1/2 x 13 1/2	1	Oui	Oui*3	Non	Non
8 1/8 x 13 1/4	1	Oui	-	Non	Non
J-Postcard (Carte Japon)	1/2	Non	Oui	Non	Non
Double Postcard (Carte double)	1/2	Non	Oui	Non	Non
B5 (ISO)	1	Non	Non	Non	Non
Enveloppe n° 10	1	Non	Oui	Non	Non
Enveloppe DL	1	Non	Oui	Non	Non
Enveloppe C6	1	Non	Oui	Non	Non
Enveloppe Monarch	1	Non	Oui	Non	Non
Enveloppe Chou n° 3	1	Non	Oui	Non	Non
Enveloppe Chou n° 4	1	Non	Non	Non	Non
Custom(Tray1) (Personnalise(Bac1))	1	Non	Non	Non	Non
Custom(Tray2) (Personnalise(Bac2))	2	Non	Non	Non	Non
Custom(Duplex) (Personnalise(recto-verso))	-	Oui	Non	Non	Non
Custom(Scan) (Personnalise(Scan))	-	-	Oui	Oui*5	Non

\*1 Bac 1= Multi-usage

Bac 3 = Papier standard, recto seul et papier spécial

\*2 Epson AcuLaser CX37DNF uniquement

\*3 Chargeur ADF uniquement

\*4 Chargeur ADF uniquement, numérisation TWAIN uniquement

\*5 Vitre d'exposition uniquement, numérisation TWAIN uniquement

## Types de support

Rangez les supports sur une surface plane et régulière et dans leur emballage d'origine tant que vous n'êtes pas prêt à les utiliser.

**Remarque :**

Avant d'imprimer une grande quantité de copies sur du papier spécial (autre que du papier standard), faites des essais afin de vérifier la qualité de l'impression.

**Papier standard (Papier recyclé)**

<b>Capacité</b>	<b>Bac 1</b>	Jusqu'à 100 feuilles, suivant leur grammage.
	<b>Bac 2</b>	Jusqu'à 250 feuilles, suivant leur grammage.
	<b>Bac 3</b>	Jusqu'à 500 feuilles, suivant leur grammage.
<b>Orientation</b>	<b>Bac 1</b>	Face vers le bas
	<b>Bac 2/3</b>	Face vers le haut
<b>Pilote</b>	Plain Paper (Recycled) (Papier standard (Recyclé))	
<b>Grammage</b>	60–90 g/m <sup>2</sup>	
<b>Recto-verso</b>	Pour les formats pris en charge, voir « Supports d'impression » à la page 98.	

**Utilisez un papier standard présentant les caractéristiques suivantes :**

Adapté pour les imprimantes et copieurs sur papier standard, tel que du papier standard ou recyclé d'usage courant.

**NE PAS UTILISER des supports présentant les caractéristiques suivantes :**

- Supports traités en surface (tels que le papier carbone et le papier couleur ayant subi un traitement)
- Papier à dos carbone
- Supports non homologués pour transfert thermique (tels que le papier pour laminage ou pelliculage)
- Supports pour transfert à froid
- Supports pour presse d'imprimerie
- Supports spécifiques pour imprimantes jet d'encre (tels que le papier ultra-fin, le papier brillant, le film brillant et les cartes postales)
- Papier préimprimé sur un autre système d'impression, de copie ou de fax
- Supports poussiéreux
- Papier mouillé (ou humide)

**Remarque :**

Stockez les supports dans un local où l'humidité relative se situe entre 15 % et 85 %. Le toner n'adhère pas sur les supports humides.

- Papier pelliculé
- Papier adhésif
- Papier plié, froissé, gondolé, gaufré, déformé ou plissé
- Papier ajouré, perforé ou déchiré
- Papier trop souple, trop rigide, trop fibreux
- Papier avec recto et verso de texture (rugosité) différente
- Papier trop fin ou trop épais
- Supports chargés d'électricité statique
- Supports laminés ou dorés ; trop lumineux
- Supports ne résistant pas à la température de fixation (205° C [401° F])
- Papier non découpé à angles droits ou de dimensions non uniformes
- Papier avec colle, adhésif, trombones, agrafes, attaches, crochets ou œillets
- Papier acide
- Et tout autre support non homologué

**Support épais**

Est qualifié d'épais tout support dont le grammage est supérieur à 90 g/m<sup>2</sup>. Testez tous les supports épais pour vérifier qu'ils présentent les caractéristiques adéquates et pour s'assurer que l'image ne sera pas décalée. Vous pouvez imprimer en continu sur un support épais. Toutefois, des bourrages risquent de se produire suivant la qualité du support utilisé et votre environnement d'impression. En cas de problème, arrêtez l'impression en continu et n'imprimez que sur une seule feuille à la fois.

<b>Capacité</b>	<b>Bac 1/2</b>	Jusqu'à 20 feuilles, suivant leur grammage
	<b>Bac 3</b>	Non pris en charge
<b>Orientation</b>	<b>Bac 1</b>	Face vers le bas
	<b>Bac 2</b>	Face vers le haut

<b>Pilote</b>	Thick 1 (Epais 1) (91–150 g/m <sup>2</sup> ) Thick 2 (Epais 2) (151–210 g/m <sup>2</sup> )
<b>Grammage</b>	91–210 g/m <sup>2</sup>
<b>Recto-verso</b>	Non pris en charge par les fonctions de copie Pris en charge par les fonctions d'impression

**NE PAS UTILISER des supports épais présentant les caractéristiques suivantes :**

- mélangés avec d'autres supports dans les bacs (car cela risque de provoquer des bourrages)

### **Enveloppe**

N'imprimez que sur le devant (côté adresse) de l'enveloppe, en évitant les zones de triple épaisseur (devant+dos+rabat) où l'impression risque de se faire avec des lacunes ou des caractères estompés.

Vous pouvez imprimer en continu sur des enveloppes. Toutefois, des bourrages risquent de se produire suivant la qualité du support utilisé et votre environnement d'impression. En cas de problème, arrêtez l'impression en continu et n'imprimez que sur une seule enveloppe à la fois.

<b>Capacité</b>	<b>Bac 1</b>	Jusqu'à 10 feuilles, suivant leur grammage
	<b>Bac 2/3</b>	Non pris en charge
<b>Orientation</b>	Face vers le bas	
<b>Pilote</b>	Enveloppe (Enveloppe)	
<b>Recto-verso</b>	Non pris en charge	

**Utilisez des enveloppes présentant les caractéristiques suivantes :**

- Courantes pour imprimantes laser, avec fermeture en diagonale, pliures et bords francs, et rabats pré-encollés ordinaires

**Remarque :**

*Les enveloppes à rabats gommés risquent de se coller en passant dans les rouleaux chauffants de l'imprimante. Il vaut donc mieux utiliser des enveloppes à rabats enduits de colle émulsionnée.*

- Homologuées pour l'impression laser
- Sèches

**NE PAS UTILISER des enveloppes présentant les caractéristiques suivantes :**

- Avec rabats auto-collants
- Avec rubans adhésifs, attaches métalliques, clips ou bandes amovibles
- Avec fenêtres transparentes
- De texture trop grossière
- Composées de matière fusible, volatile, décolorante ou émettrice de vapeurs nocives
- Pré-scellées

## Étiquettes

Une planche d'étiquettes se compose d'une face recto (surface imprimable) et d'une face verso adhésive, recouverte d'une feuille de protection :

- La face recto doit répondre aux spécifications Papier standard.
- La face recto doit entièrement recouvrir la feuille de protection, et ne doit laisser apparaître aucune substance adhésive en surface.

Vous pouvez imprimer sur des planches d'étiquettes en continu. Toutefois, des bourrages risquent de se produire suivant la qualité du support utilisé et votre environnement d'impression. En cas de problème, arrêtez l'impression en continu et n'imprimez que sur une seule planche à la fois.

Songez à imprimer d'abord vos données sur du papier standard pour vérifier la mise en page. Pour plus d'informations concernant l'impression d'étiquettes, consultez la documentation de votre application.

<b>Capacité</b>	<b>Bac 1/2</b>	Jusqu'à 20 feuilles, suivant leur grammage
	<b>Bac 3</b>	Non pris en charge
<b>Orientation</b>	<b>Bac 1</b>	Face vers le bas
	<b>Bac 2</b>	Face vers le haut
<b>Pilote</b>	Label (Étiquette)	
<b>Grammage</b>	60 à 163 g/m <sup>2</sup>	
<b>Recto-verso</b>	Non pris en charge	

Utilisez des planches d'étiquettes présentant les caractéristiques suivantes :

- Recommandées pour les imprimantes laser

**NE PAS UTILISER des planches d'étiquettes présentant les caractéristiques suivantes :**

- Comportant des étiquettes facilement détachables ou des feuilles de protection décollées
- Laissant apparaître toute substance adhésive en surface

**Remarque :**

*Les étiquettes de ces planches peuvent rester collées dans l'unité de fixation et provoquer des bourrages.*

- Pré-découpées ou perforées

Ne pas utiliser

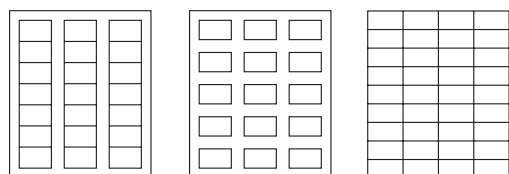


Planche avec feuille de protection silico-  
née

Utiliser

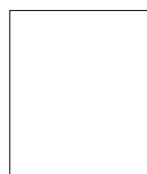


Planche pleine page (sans prédécoupe)

**Papier en-tête**

Vous pouvez imprimer en continu sur du papier en-tête. Toutefois, des bourrages risquent de se produire suivant la qualité du support utilisé et votre environnement d'impression. En cas de problème, arrêtez l'impression en continu et n'imprimez que sur une seule feuille à la fois.

Songez à imprimer d'abord vos données sur du papier standard pour vérifier la mise en page.

<b>Capacité</b>	<b>Bac 1/2</b>	Jusqu'à 20 feuilles, suivant leur taille et leur grammage
	<b>Bac 3</b>	Non pris en charge
<b>Orientation</b>	<b>Bac 1</b>	Face vers le bas
	<b>Bac 2</b>	Face vers le haut
<b>Pilote</b>	Letterhead (Papier En-tête)	
<b>Recto-verso</b>	Pour les formats pris en charge, voir « Supports d'impression » à la page 98.	



## Carte postale

Vous pouvez imprimer en continu sur des cartes postales. Toutefois, des bourrages risquent de se produire suivant la qualité du support utilisé et votre environnement d'impression. En cas de problème, arrêtez l'impression en continu et n'imprimez que sur une seule carte à la fois.

Songez à imprimer d'abord vos données sur du papier standard pour vérifier la mise en page.

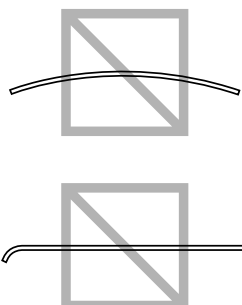
<b>Capacité</b>	<b>Bac 1/2</b>	Jusqu'à 20 feuilles, suivant leur grammage
	<b>Bac 3</b>	Non pris en charge
<b>Orientation</b>	<b>Bac 1</b>	Face vers le bas
	<b>Bac 2</b>	Face vers le haut
<b>Pilote</b>	Postcard (Carte postale)	
<b>Recto-verso</b>	Non pris en charge	

**Utilisez des cartes présentant les caractéristiques suivantes :**

- Homologuées pour l'impression laser

**NE PAS UTILISER des cartes présentant les caractéristiques suivantes :**

- Couchées
- Conçues pour imprimantes jet d'encre
- Pré-coupées ou perforées
- Pré-imprimées ou multicolores
- Courbées ou pliées



**Remarque :**

Si les cartes sont déformées, aplanissez-les avant de les charger dans le bac.

**Support brillant**

Testez tous les supports brillants pour vérifier qu'ils présentent les caractéristiques adéquates et pour s'assurer que l'image ne sera pas décalée. Vous pouvez imprimer en continu sur un support brillant. Toutefois, des bourrages risquent de se produire suivant la qualité du support utilisé et votre environnement d'impression. En cas de problème, arrêtez l'impression en continu et n'imprimez que sur une seule feuille à la fois.

<b>Capacité</b>	<b>Bac 1/2</b>	Jusqu'à 20 feuilles, suivant leur grammage
	<b>Bac 3</b>	Non pris en charge
<b>Orientation</b>	<b>Bac 1</b>	Face vers le bas
	<b>Bac 2</b>	Face vers le haut
<b>Pilote</b>	Glossy1 (Brillant1) (100–128 g/m <sup>2</sup> ) Glossy2 (Brillant2) (129–158 g/m <sup>2</sup> )	
<b>Recto-verso</b>	Non pris en charge	

**NE PAS UTILISER des supports brillants présentant les caractéristiques suivantes :**

- mélangés avec d'autres supports dans les bacs (car cela risque de provoquer des bourrages)
- Adaptés aux imprimantes jet d'encre uniquement

**Recto seul**

N'imprimez qu'au recto.

Vous pouvez imprimer en continu sur un support recto seul uniquement. Toutefois, des bourrages risquent de se produire suivant la qualité du support utilisé et votre environnement d'impression. En cas de problème, arrêtez l'impression en continu et n'imprimez que sur une seule feuille à la fois.

Sélectionnez ce paramètre lorsqu'un support qui ne doit pas être utilisé en mode recto-verso (par exemple, si un côté est déjà imprimé) est chargé comme papier standard avec un grammage de 60–90 g/m<sup>2</sup>.

<b>Capacité</b>	<b>Bac 1</b>	Jusqu'à 100 feuilles, suivant leur grammage.
	<b>Bac 2</b>	Jusqu'à 250 feuilles, suivant leur grammage.
	<b>Bac 3</b>	Jusqu'à 500 feuilles, suivant leur grammage.
<b>Orientation</b>	<b>Bac 1</b>	Face vers le bas
	<b>Bac 2/3</b>	Face vers le haut
<b>Pilote</b>	Single Side Only (Recto seul) (60–90 g/m <sup>2</sup> )	
<b>Grammage</b>	60–90 g/m <sup>2</sup>	
<b>Recto-verso</b>	Non pris en charge	

**Utilisez un papier recto seul présentant les caractéristiques suivantes :**

- Adapté pour les imprimantes laser sur papier standard, tel que du papier standard ou recyclé d'usage courant
- Papier standard préimprimé sur la même imprimante

**NE PAS UTILISER un papier recto seul présentant les caractéristiques suivantes :**

- Non homologué pour une utilisation comme papier standard

### **Papier spécial**

Vous pouvez imprimer en continu sur du papier spécial. Toutefois, des bourrages risquent de se produire suivant la qualité du support utilisé et votre environnement d'impression. En cas de problème, arrêtez l'impression en continu et n'imprimez que sur une seule feuille à la fois.

Sélectionnez ce paramètre lorsqu'un papier spécial, par exemple un papier de haute qualité, est chargé comme papier standard avec un grammage de 60–90 g/m<sup>2</sup>.

<b>Capacité</b>	<b>Bac 1</b>	Jusqu'à 100 feuilles, suivant leur grammage.
	<b>Bac 2</b>	Jusqu'à 250 feuilles, suivant leur grammage.
	<b>Bac 3</b>	Jusqu'à 500 feuilles, suivant leur grammage.

<b>Orientation</b>	<b>Bac 1</b>	Face vers le bas
	<b>Bac 2/3</b>	Face vers le haut
<b>Pilote</b>	Special Paper (Papier spécial) (60–90 g/m <sup>2</sup> )	
<b>Grammage</b>	60–90 g/m <sup>2</sup>	
<b>Recto-verso</b>	Non pris en charge par les fonctions de copie Pris en charge par les fonctions d'impression	

Utilisez un papier spécial présentant les caractéristiques suivantes :

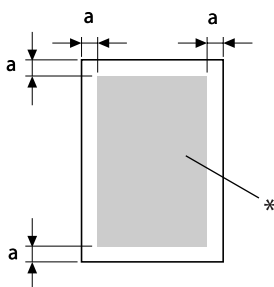
- Homologué pour l'impression laser

NE PAS UTILISER un papier spécial présentant les caractéristiques suivantes :

- Non homologué pour une utilisation comme papier standard

## Surface imageable (imprimable) garantie

Sur tous les formats de support, la surface imprimable se situe à 4.0 mm maximum des bords.



$a=4.0$  mm

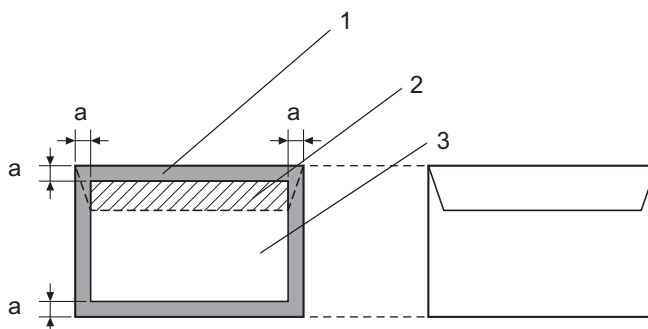
\* Surface imprimable

Chaque format de support a sa propre surface imprimable (surface maximum dans laquelle l'impression peut se faire clairement et sans distorsion).

Cette surface est limitée par deux contraintes matérielles (la taille physique du support et les marges requises par l'imprimante) et logicielles (espace mémoire disponible pour le tampon de cadres pleine page). La surface imprimable garantie pour tous les formats de support correspond à la taille de la page moins une marge de 4 mm tout autour de la feuille.

## Surface imageable—Enveloppes

Les enveloppes comportent une zone imageable non garantie qui varie selon le type d'enveloppe.



$a=4.2$  mm

1. Surface non imageable
2. Surface imageable non garantie
3. Surface imageable garantie

### Remarque :

- L'orientation d'impression des enveloppes est définie par l'application.
- Avec le format Enveloppe DL (alimenté sur le bord long), les zones non imageables sur les parties gauche et droite mesurent 6 mm.

## Marges de pages

Les marges sont définies dans votre application. Certaines applications vous permettent de personnaliser des tailles et marges de page, d'autres n'offrent qu'un choix de tailles et marges standard. Avec un format standard, une perte partielle de l'image est possible (due aux contraintes de la zone imageable). Si vous pouvez personnaliser le format de page dans votre application, utilisez les dimensions indiquées pour la surface imageable afin d'obtenir les meilleurs résultats.

## Chargement des supports

### Remarque :

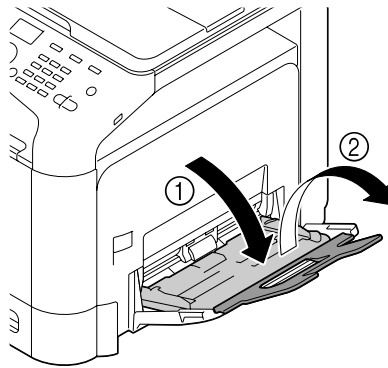
- Ne mélangez jamais des supports de différents types et formats, car cela risque de provoquer des bourrages ou des problèmes.
- Les bords des supports sont coupants et peuvent entraîner des blessures.

Quand vous rechargez du support, retirez tout d'abord les feuilles restantes dans le bac. Joignez-les à celles que vous chargez, égalisez les bords du paquet et placez-le dans le bac.

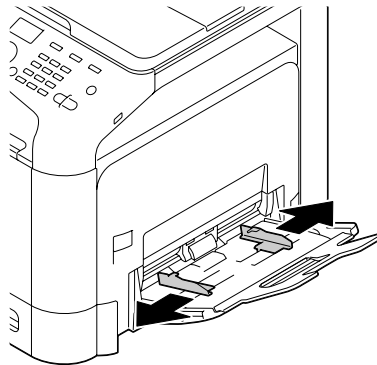
### **Bac 1 (alimentation manuelle)**

Pour des informations détaillées sur les types et formats de support pouvant être imprimés à partir du Bac 1, voir « Supports d'impression » à la page 98.

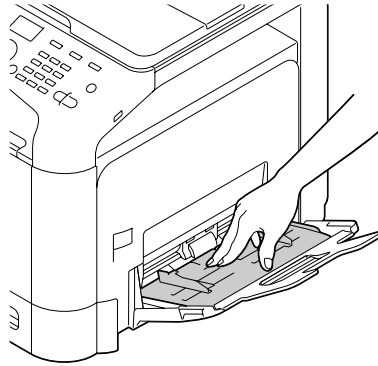
1. Ouvrez le Bac 1.



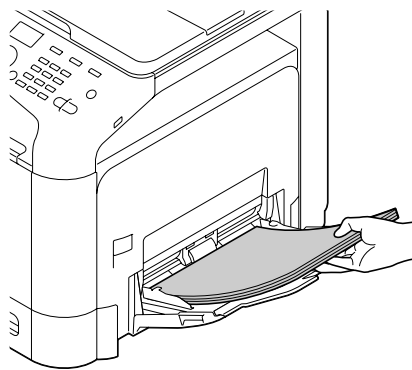
2. Faites glisser les guides papier afin de les écarter.



3. Appuyez au centre du volet de compression des feuilles jusqu'à ce que les onglets de verrouillage (blancs) à gauche et à droite s'enclenchent.

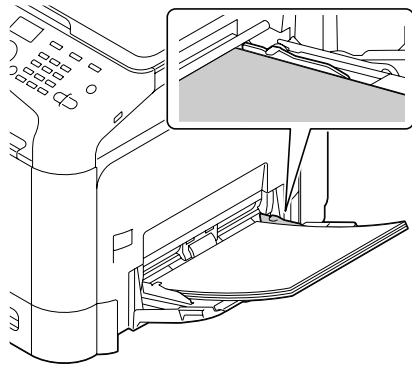


4. Chargez le papier dans le bac, face imprimable vers le bas.

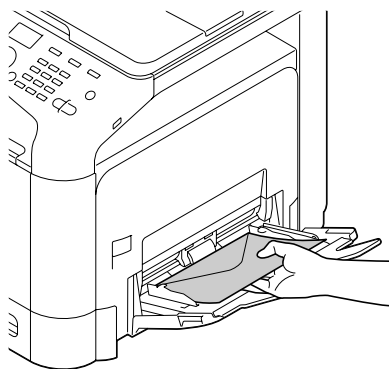


**Remarque :**

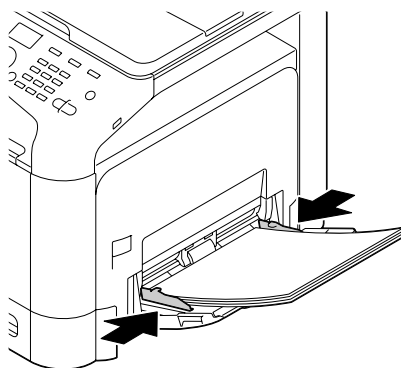
- ❑ Ne chargez pas des feuilles au-dessus de la limite de remplissage. Ce bac ne peut contenir que 100 feuilles de papier standard (80 g/m<sup>2</sup> [22 lb]) à la fois.



- ❑ *Pour connaître la capacité maximale de chaque source de papier, voir « Types de support » à la page 99.*
- ❑ *Avant de charger des enveloppes, aplatissez-les pour chasser l'air qui s'y trouve et faire en sorte que les rabats soient bien pliés ; sinon, les enveloppes peuvent se froisser ou provoquer un bourrage.*
- ❑ *Les enveloppes avec rabat sur le bord long (Enveloppe C6, Enveloppe Monarch et Enveloppe DL) doivent être chargées avec les rabats orientés vers le haut.*



5. Faites glisser les guides papier contre les bords du papier.

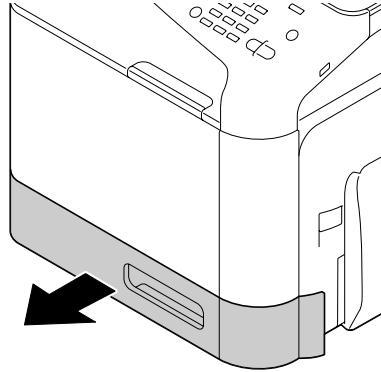


6. Sélectionnez PAPER SETUP (Confis. Papier)/TRAY1 PAPER (Papier Bac1) dans le menu UTILITY (Utilitaire), puis choisissez le format et le type du papier chargé. Voir aussi « Spécifications » à la page 98.

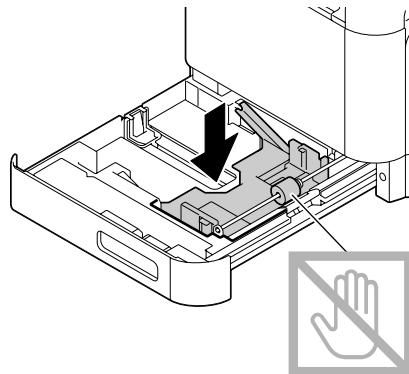


## Bac 2

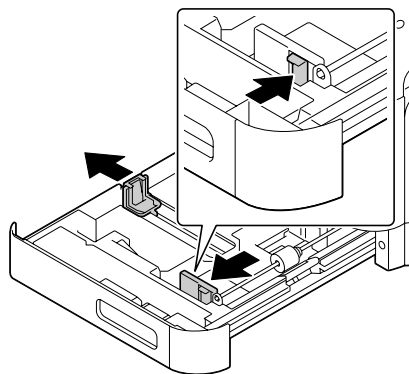
1. Ouvrez le Bac 2.



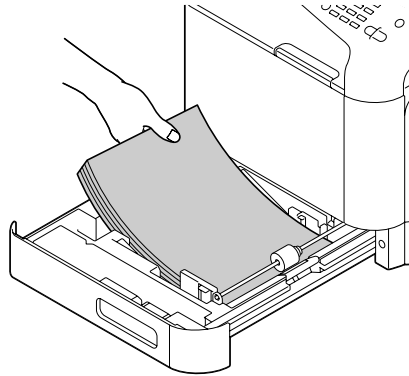
2. Appuyez sur le volet de compression du support afin de le verrouiller en place.



3. Faites glisser les guides papier afin de les écarter.

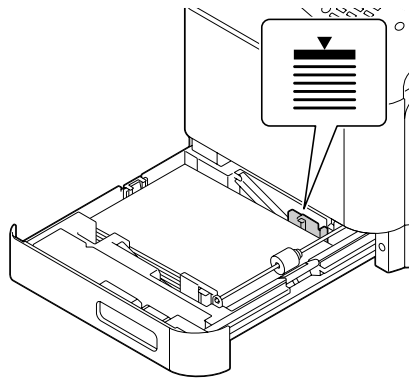


4. Chargez le papier dans le bac, face imprimable vers le haut.



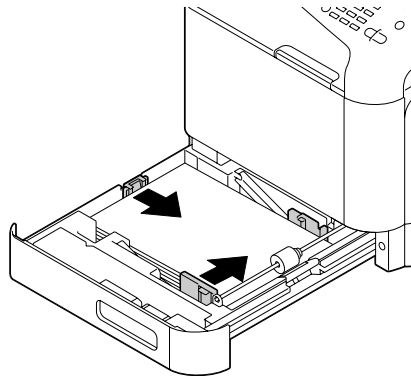
**Remarque :**

- Ne chargez pas des feuilles au-delà de la limite ▼. Ce bac ne peut contenir que 250 feuilles de papier standard (80 g/m<sup>2</sup> [22 lb]) à la fois.

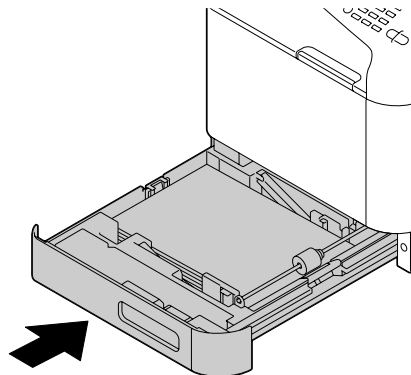


- Pour connaître la capacité maximale de chaque source de papier, voir « Types de support » à la page 99.

5. Faites glisser les guides papier contre les bords du papier.



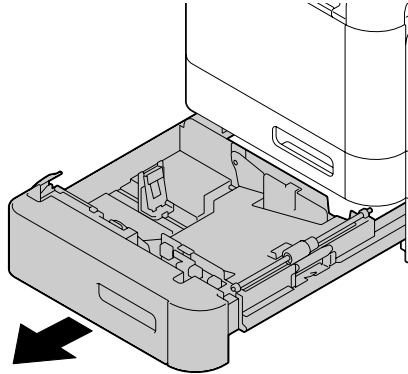
6. Fermez le Bac 2.



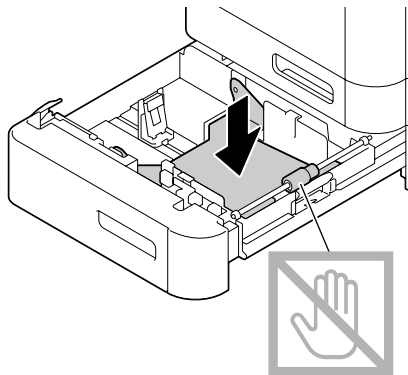
7. Sélectionnez PAPER SETUP (Confis. Papier)/TRAY2 PAPER (Papier Bac2) dans le menu UTILITY (Utilitaire), puis choisissez le format et le type du papier chargé. Voir aussi « Spécifications » à la page 98.

## Chargeur papier de 500 feuilles (Bac 3)

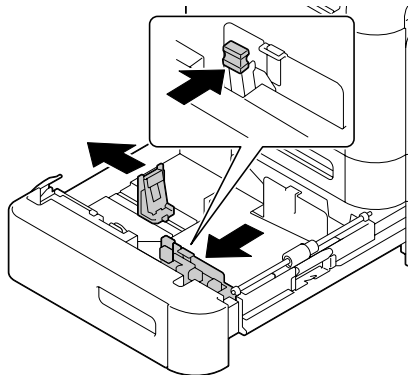
1. Ouvrez le Bac 3.



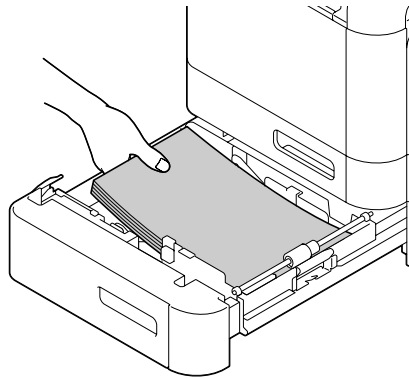
2. Appuyez sur le volet de compression du support afin de le verrouiller en place.



3. Faites glisser les guides papier afin de les écarter.

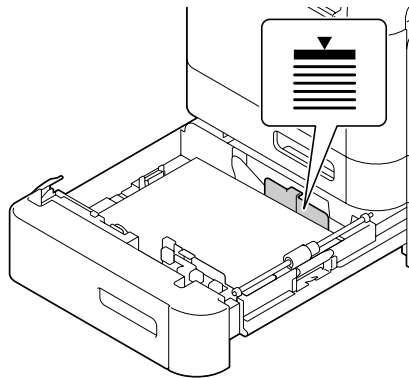


4. Chargez le papier dans le bac, face imprimable vers le haut.

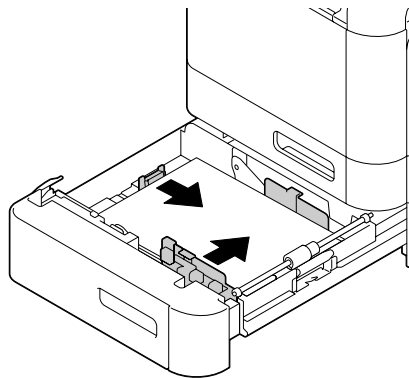


**Remarque :**

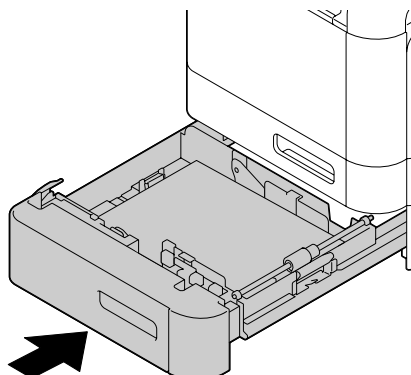
*Ne chargez pas des feuilles au-delà de la limite ▼. Ce bac ne peut contenir que 500 feuilles de papier standard (80 g/m<sup>2</sup> [22 lb]) à la fois.*



5. Faites glisser les guides papier contre les bords du papier.



6. Fermez le Bac 3.



7. Sélectionnez PAPER SETUP (Confis. Papier)/TRAY3 PAPER (Mas3 papier) dans le menu UTILITY (Utilitaire), puis choisissez le format et le type du papier chargé. Voir aussi « Spécifications » à la page 98.

## Recto-verso

Si le papier est de faible opacité (translucide), ce qui est imprimé sur un côté transparaîtra sur l'autre. Vérifiez les données de marges dans votre application. Pour vérifier la qualité de l'opacité, n'imprimez tout d'abord que quelques feuilles.

### Remarque :

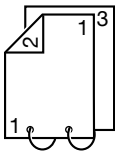
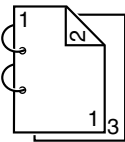
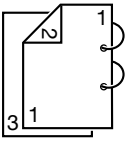
*L'impression recto-verso ne peut se faire que sur du papier standard, du papier spécial et du papier épais de 60 à 210 g/m<sup>2</sup>. Voir « Supports d'impression » à la page 98.*

*L'impression recto-verso sur enveloppes, papier en-tête, étiquettes, cartes postales, support brillant ou papier recto seul n'est pas prise en charge.*

Dans votre application, vérifiez la manière de définir les marges pour une impression recto-verso.

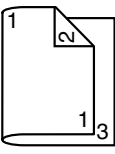
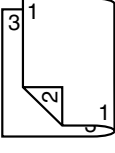
Les paramètres de Binding Position (Position de reliure) suivants sont disponibles.

	<p>Si Short Edge (Top) (Bord court (Haut)) est sélectionné, les pages sont imprimées de manière à être tournées de bas en haut.</p>
--	---

	<p>Si Short Edge (Bottom) (Bord court (Bas)) est sélectionné, les pages sont imprimées de manière à être tournées de haut en bas.</p>
	<p>Si Long Edge (Left) (Bord long (Gauche)) est sélectionné, les pages sont imprimées de manière à être tournées de gauche à droite.</p>
	<p>Si Long Edge (Right) (Bord long (Droit)) est sélectionné, les pages sont imprimées de manière à être tournées de droite à gauche.</p>

En outre, si Print Type (Type d'impression) a la valeur Booklet (Livret), une impression recto-verso automatique est exécutée.

Les paramètres de Order (Ordre) suivants sont disponibles lorsque Booklet (Livret) est sélectionné.

	<p>Si Left Binding (Reliure à gauche) est sélectionné, les pages imprimées peuvent être pliées pour former un livret relié à gauche.</p>
	<p>Si Right Binding (Reliure à droite) est sélectionné, les pages imprimées peuvent être pliées pour former un livret relié à droite.</p>

1. Chargez du papier standard dans le bac.
2. Dans le pilote de l'imprimante, sélectionnez l'impression recto-verso (onglet Layout (Mise en page) sous Windows).
3. Cliquez sur **OK**.

**Remarque :**

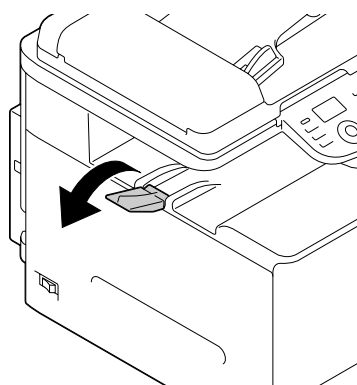
*En recto-verso automatique, la page verso s'imprime avant la page recto.*

## Bac de sortie

Tous les supports sont placés face à imprimer vers le bas dans le bac de sortie de la machine. Ce bac peut contenir environ 150 feuilles (A4/Letter) de papier standard 80 g/m<sup>2</sup> ou 10 feuilles (A4/Letter) de papier spécial 80 g/m<sup>2</sup>.

### Remarque :

- ❑ Ne laissez pas les imprimés s'accumuler dans le bac de sortie, car cela risque de provoquer des bourrages, de recourber excessivement le papier et de créer de l'électricité statique.
- ❑ Le bac de sortie peut être allongé. Ajustez le bac de sortie au format du papier à imprimer.



## Stockage des supports

- ❑ Rangez les supports sur une surface plane et régulière et dans leur emballage d'origine tant que vous n'êtes pas prêt à les utiliser.

Des supports stockés depuis trop longtemps hors de leur emballage risquent d'être trop secs et de provoquer des bourrages.

- ❑ Remplacez les supports que vous avez déballés dans leur emballage d'origine, et stockez-les sur une surface plane, dans un local frais et à l'abri de la lumière.
- ❑ Rangez-les en les préservant d'une trop grande humidité, des rayons du soleil, d'une chaleur excessive (supérieure à 35° C [95° F]) et de la poussière.
- ❑ Evitez d'entreposer les supports au contact d'autres objets ou de les ranger à la verticale.

Avant d'utiliser des supports qui ont été stockés, effectuez un essai d'impression et vérifiez la qualité du résultat.



## Supports originaux

### Spécifications

#### Documents pouvant être placés sur la vitre d'exposition

Les types de document pouvant être placés sur la vitre d'exposition sont les suivants :

<b>Type de document</b>	Feuilles, livres, objet 3D
<b>Format du document</b>	A4
<b>Poids maximum</b>	3 kg

Veillez observer les précautions suivantes lorsque vous placez un document sur la vitre d'exposition.

- Ne placez pas des objets pesant plus de 3 kg sur la vitre d'exposition au risque de l'endommager.
- N'exercez pas de pression excessive sur le dos du livret ouvert sur la vitre d'exposition ; ce faisant, vous risquez d'endommager la vitre.

#### Documents pouvant être introduits dans le chargeur ADF

Les types de document pouvant être introduits dans le chargeur ADF sont les suivants :

<b>Type de support original / Grammage</b>	Papier standard / 50 à 100 g/m <sup>2</sup>
<b>Format du document</b>	Format maximum : Legal Largeur : 140 à 216 mm, longueur : 90 à 356 mm
<b>Capacité de chargement</b>	35 feuilles (grammage : 80 g/m <sup>2</sup> )

Dans le chargeur ADF, ne placez aucun des documents suivants :

- Documents contenant des pages de formats différents
- Documents froissés, pliés, recourbés ou déchirés
- Documents très translucides ou transparents, tels que des transparents de rétro-projection ou du papier diazo photosensible
- Documents couchés tels que des supports à dos carbone

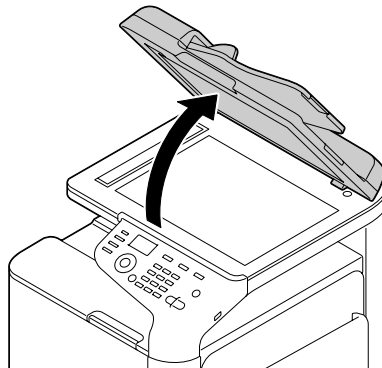
- Documents imprimés sur du papier d'un grammage supérieur à 110 g/m<sup>2</sup>
- Documents comportant des pages reliées par des trombones ou agrafes
- Documents reliés en livre ou livret
- Documents avec reliure dos encollé
- Documents comportant des découpes ou des pages découpées
- Planches d'étiquettes
- Epreuves Offset
- Documents comportant des perforations classeur

---

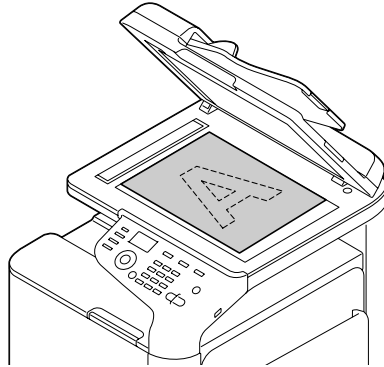
## ***Chargement d'un document***

### ***Placement d'un document sur la vitre d'exposition***

1. Soulevez le couvercle de la vitre d'exposition.

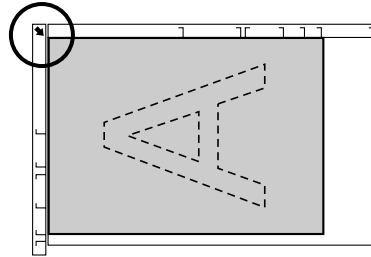


2. Placez le document sur la vitre d'exposition.

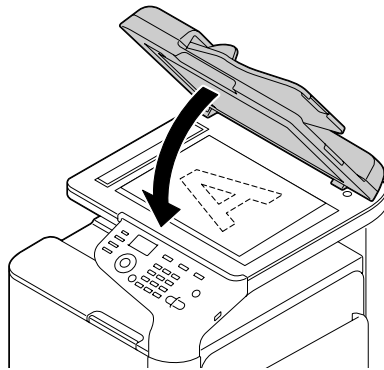


**Remarque :**

*Alignez le document sur la flèche située à gauche à l'arrière de la machine.*

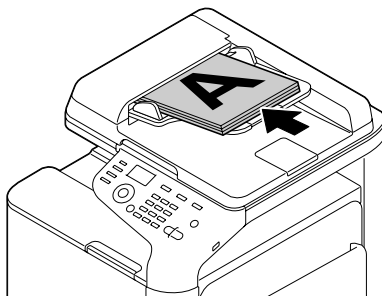


3. Abaissez doucement le couvercle de la vitre d'exposition.



## Chargement d'un document dans le chargeur ADF

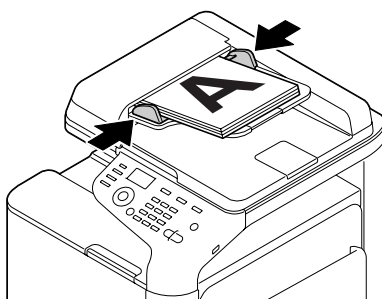
1. Placez l'original sur le plateau d'introduction du chargeur ADF, face vers le haut.



**Remarque :**

- Avant de placer un document dans le chargeur ADF, vérifiez qu'aucune feuille n'a été oubliée sur la vitre d'exposition.
- Placez le document avec le haut des pages vers l'arrière ou vers le côté droit de la machine.

2. Ajustez les guides latéraux aux dimensions du document.



**Remarque :**

Pour plus d'informations sur la copie du document placé ou chargé, voir « Utilisation du copieur » à la page 136. Pour plus d'informations sur la numérisation, voir « Utilisation du scanner » à la page 149.

## Chapitre 4

### Utilisation du pilote de l'imprimante

#### Sélection des options/valeurs par défaut du pilote (Windows)

Avant toute utilisation de l'imprimante, il est conseillé de vérifier/modifier les paramètres par défaut du pilote de l'imprimante. Par ailleurs, si des options sont installées, il convient de les « déclarer » dans le pilote.

1. Sélectionnez les propriétés du pilote.
2. Si vous avez installé des options, passez à l'étape suivante. Sinon, passez à l'étape 9.
3. Sélectionnez l'onglet **Configure (Configurer)**.
4. Vérifiez que les options installées figurent dans la liste. Sinon, passez à l'étape suivante. Autrement, passez à l'étape 8.
5. Cliquez sur **Refresh (Actualiser)** pour configurer automatiquement les options installées.

**Remarque :**

*L'option Refresh (Actualiser) est uniquement disponible si une communication bidirectionnelle est établie avec l'imprimante ; sinon, elle apparaît en grisé.*

*Si vous utilisez Windows Vista ou Server 2008, vous pouvez aussi cliquer sur **Refresh (Actualiser)** lorsque la machine est connectée via USB.*

6. Dans la liste **Device Options (Options périphérique)**, sélectionnez une option à la fois, puis sélectionnez **Enable (Activé)** ou **Disable (Désactivé)** dans le menu **Settings (Paramètres)**.

**Remarque :**

Si **Printer Memory (Mémoire imprimante)** est sélectionné, sélectionnez **256MB (256Mo)** ou **768MB (768Mo)** en fonction de la mémoire installée. La valeur par défaut définie en usine est de **256MB (256Mo)**.

Cette imprimante ne prend pas en charge les cartes CompactFlash.

7. Cliquez sur **Apply (Appliquer)**.

**Remarque :**

Suivant la version du système d'exploitation que vous utilisez, vous pouvez ne pas avoir accès au bouton **Apply** (Appliquer). Dans ce cas, passez à l'étape suivante.

8. Sélectionnez l'onglet **General (Général)**.
9. Cliquez sur **Printing Preferences (Options d'impression)**.  
La boîte de dialogue Printing Preferences (Options d'impression) s'affiche.
10. Sélectionnez les paramètres par défaut pour votre imprimante, notamment le format du support par défaut que vous utilisez, sous les onglets appropriés.
11. Cliquez sur **Apply (Appliquer)**.
12. Cliquez sur **OK** pour fermer la boîte de dialogue Printing Preferences (Options d'impression).
13. Cliquez sur **OK** pour fermer la boîte de dialogue Properties (Propriétés).

---

## **Désinstallation du pilote de l'imprimante (Windows)**

1. Fermez toutes les applications.
2. Sélectionnez le programme de désinstallation.
3. Dans la boîte de dialogue Uninstall (Désinstaller) qui s'affiche, sélectionnez l'imprimante à supprimer, puis cliquez sur le bouton **Uninstall (Désinstaller)**.
4. Cliquez sur **Uninstall (Désinstaller)**.
5. Cliquez sur **OK**, puis redémarrez votre ordinateur.
6. Le pilote de l'imprimante est alors désinstallé de votre ordinateur.

---

## **Paramètres du pilote de l'imprimante**

### **Boutons communs**

Les boutons décrits ci-dessous apparaissent sous tous les onglets.

**OK**

Cliquez sur ce bouton pour quitter la boîte de dialogue Properties (Propriétés) en enregistrant toutes les modifications effectuées.

**Cancel (Annuler)**

Cliquez sur ce bouton pour quitter la boîte de dialogue Properties (Propriétés) sans enregistrer les modifications effectuées.

**Apply (Appliquer)**

Cliquez sur ce bouton pour enregistrer toutes les modifications effectuées sans fermer la boîte de dialogue Properties (Propriétés).

**Help (Aide)**

Cliquez sur ce bouton pour ouvrir le fichier d'aide.

**Favorite Setting (Réglage favori)**

Cliquez sur ce bouton pour enregistrer les paramètres actuels. Pour ce faire, spécifiez les paramètres souhaités, puis cliquez sur **Add (Ajouter)**. Spécifiez les paramètres décrits ci-dessous, puis cliquez sur **OK**.

- Name (Nom)** : entrez un nom pour les paramètres à enregistrer.
- Icon (Icône)** : sélectionnez une icône dans la liste pour identifier aisément les paramètres. L'icône sélectionnée apparaît dans la liste déroulante.
- Sharing (Partage)** : spécifiez si les paramètres à enregistrer peuvent ou non être utilisés par d'autres utilisateurs connectés à l'ordinateur.
- Comment (Commentaire)**: ajoutez un commentaire simple définissant ces paramètres.

Les paramètres enregistrés peuvent ensuite être sélectionnés dans la liste déroulante. Vous pouvez les modifier en cliquant sur **Edit (Editer)**.

Sélectionnez **Defaults (Défauts)** dans la liste déroulante pour rétablir les valeurs par défaut des fonctions sous tous les onglets.

- Printer View (Aperçu Imprimante)

Cliquez sur ce bouton pour afficher une image de l'imprimante dans la zone graphique.

- Paper View (Aperçu Mise en page)

Cliquez sur ce bouton pour afficher un aperçu de la mise en page dans la zone graphique.

**Remarque :**

*Ce bouton n'apparaît pas sous l'onglet **Quality (Qualité)**.*

- Quality View (Aperçu Qualité)

Cliquez sur ce bouton pour afficher un aperçu du résultat des paramètres définis sous l'onglet **Quality (Qualité)**.

**Remarque :**

*Ce bouton n'apparaît que lorsque l'onglet **Quality (Qualité)** est sélectionné.*

- Printer Information (Infos imprimante)

Cliquez sur ce bouton pour démarrer Web-Based EpsonNet Config.

**Remarque :**

*Ce bouton est uniquement disponible si une connexion réseau a été établie.*

- Default (Par défaut)

Cliquez sur ce bouton pour rétablir les valeurs par défaut de tous les paramètres.

**Remarque :**

*Quand vous cliquez sur ce bouton, les valeurs par défaut des paramètres dans la boîte de dialogue affichée sont rétablies. Les paramètres sous les autres onglets restent inchangés.*

## **Onglet Avancé (Pilote de l'imprimante PostScript uniquement)**

L'onglet Avancé vous permet d'effectuer les tâches suivantes :

- Activer ou désactiver les paramètres pour des fonctions d'impression avancées (telles que l'impression de livrets)
- Spécifier le mode de sortie PostScript
- Spécifier si les messages d'erreur d'un travail d'impression sont imprimés ou non
- Imprimer une image miroir
- Spécifier si l'application peut ou non générer directement des données PostScript



## **My Tab**

My Tab vous permet d'effectuer les tâches suivantes :

- Afficher les fonctions les plus souvent utilisées (de chaque onglet) dont les paramètres sont souvent modifiés.
- Ajouter ou supprimer des fonctions affichées en cliquant sur **Edit My Tab (Modifier My Tab)**. En outre, vous pouvez ajouter des fonctions à My Tab en cliquant dessus avec le bouton droit sous leur onglet d'origine.

## **Onglet Basic (Standard)**

L'onglet Basic (Standard) vous permet d'effectuer les tâches suivantes :

- Spécifier l'orientation du support d'impression
- Spécifier le format du document original
- Sélectionner le format de papier en sortie
- Enregistrer/modifier des formats de papier personnalisé
- Appliquer un facteur de zoom (agrandissement/réduction) aux documents
- Spécifier la source d'alimentation papier
- Spécifier le type de support d'impression
- Spécifier le nombre de copies
- Activer/désactiver le tri du travail
- Enregistrer un travail d'impression et l'imprimer plus tard (Mémoire Travaux)
- Enregistrer un travail confidentiel sur l'imprimante et le protéger par un mot de passe
- Imprimer une seule copie pour épreuve
- Spécifier les paramètres de l'authentification utilisateur
- Imprimer sur le verso d'une feuille déjà imprimée au recto

**Remarque :**

- N'utilisez que des feuilles préimprimées sur cette imprimante.  
En outre, avec ce paramètre, la qualité d'impression n'est pas garantie.*
- N'utilisez pas les types de papier suivants :*
  - *Papier préimprimé sur une imprimante jet d'encre*
  - *Papier préimprimé sur une imprimante laser ou un copieur monochrome/couleur*
  - *Papier préimprimé sur tout autre système d'impression ou de télécopie*

**Onglet Layout (Mise en page)**

L'onglet Layout (Mise en page) vous permet d'effectuer les tâches suivantes :

- Imprimer plusieurs pages d'un document sur une même page (« N-up »)
- Imprimer une copie à agrandir puis à imprimer sur plusieurs pages (pilote de l'imprimante PCL uniquement)
- Définir une impression de livrets
- Appliquer une rotation à 180 degrés de l'image imprimée
- Définir une impression recto-verso
- Spécifier si les pages vierges doivent ou non être imprimées (pilote de l'imprimante PCL uniquement)
- Régler la marge de reliure
- Régler la position d'impression
- Spécifier la position où le document doit être imprimé sur le papier (pilote d'imprimante PCL uniquement)

**Onglet Cover Page (Paramétrage par page)**

L'onglet Cover Page (Paramétrage par page) vous permet d'effectuer les tâches suivantes :

- Imprimer des couvertures, des dos de couverture et des intercalaires
- Spécifier le bac contenant le papier pour les couvertures, les dos de couverture et les intercalaires

## Onglet Watermark/Overlay (Filigrane/Calque)

### Remarque :

Assurez-vous que le format et l'orientation du calque que vous voulez utiliser correspondent au format et à l'orientation de votre travail d'impression. De plus, si vous avez défini des paramètres N-up (Miniatures) ou Booklet (Livret) dans le pilote de l'imprimante, le calque ne pourra pas être ajusté en fonction de ces paramètres.

Les paramètres de la fonction Watermark (Filigrane) sous l'onglet Watermark/Overlay (Filigrane/Calque) vous permettent d'effectuer les tâches suivantes :

- Sélectionner le filigrane à utiliser
- Créer, modifier ou supprimer des filigranes
- Eclaircir la densité du filigrane
- Imprimer un cadre autour des filigranes
- Imprimer des filigranes transparents (estompés)
- Imprimer le filigrane uniquement sur la première page
- Imprimer le filigrane de manière répétitive sur toutes les pages

Les paramètres de la fonction Overlay (Calque) sous l'onglet Watermark/Overlay (Filigrane/Calque) vous permettent d'effectuer les tâches suivantes :

- Sélectionner le calque à utiliser
- Ajouter ou supprimer des fichiers de calque
- Créer un calque (pilote de l'imprimante PCL uniquement)
- Spécifier la superposition d'un calque et d'un document lors de l'impression (pilote de l'imprimante PCL uniquement)
- Afficher des informations sur le calque (pilote de l'imprimante PCL uniquement)
- Imprimer le calque sur All Pages (Toutes les pages), la Première page, les Even Pages (Pages paires) et les Odd Pages (Pages impaires)
- Placer le calque en arrière-plan du document ou au premier plan du document à imprimer (pilote de l'imprimante PCL uniquement)

## **Onglet Quality (Qualité)**

L'onglet Quality (Qualité) vous permet d'effectuer les tâches suivantes :

- Choisir entre une impression couleur et en noir et blanc
- Régler l'obscurité d'une image (Brightness (Luminosité))
- Spécifier les paramètres couleur de l'imprimante (Quick Color (Couleur rapide))
- Effectuer la séparation couleur
- Activer ou désactiver le mode d'impression économique
- Définir le renfort de contour sur Low (Léger), Middle (Normal) ou High
- Spécifier le degré de détails dans les motifs graphiques (pilote de l'imprimante PCL uniquement)
- Spécifier le format des polices à télécharger
- Imprimer en utilisant les polices de l'imprimante
- Régler les tons d'une image (Contrast (Contraste)) (pilote d'imprimante PCL uniquement)
- Définir le mode de compression des images (pilote de l'imprimante PCL uniquement)
- Activer ou désactiver la fonction Auto Trapping (Piégeage Auto) (pilote d'imprimante Postscript uniquement)
- Spécifier la fonction Black Over Print (Noir Sur Impression) (pilote d'imprimante Postscript uniquement)
- Paramètres de substitution des polices TrueType

## **Onglet Other (Autres)**

L'onglet Other (Autres) vous permet d'effectuer les tâches suivantes :

- Activer l'indivision des feuilles de calcul Microsoft Excel lors de l'impression (pilote d'imprimante 32 bits uniquement)
- Faire en sorte que le fond blanc des données Microsoft PowerPoint ne masque pas les fichiers de calque (pilote d'imprimante PCL 32 bits uniquement)
- Envoyer une notification via e-mail lorsque l'impression est terminée

- Afficher des informations sur la version du pilote de l'imprimante
- Empêcher la perte d'informations lors de l'impression de lignes fines (pilote de l'imprimante PCL uniquement)

## ***Limitations des fonctions du pilote de l'imprimante installées avec Point and Print***

Si Point and Print est exécuté avec les combinaisons serveur/client suivantes, certaines fonctions du pilote de l'imprimante sont limitées.

- Combinaisons serveur/client  
Serveur : Windows Server 2003/Server 2008/Server 2008 R2  
Client : Windows XP/Vista/7
- Fonctions avec limitations  
Booklet (Livret), Skip Blank Pages (Ignorer les pages vierges), Front Cover Page (Couverture), Back Cover Page (Dos de couverture), Separator Page (Intercalaires), Create Overlay (Créer calque), Print in Overlay (Surimpression), Watermark (Filigrane)  
\*Sortie NOM DU TRAVAIL, NOM UTILISATEUR et NOM D'HOTE de PJJ

## Chapitre 5

### Mémoire directe

#### Mémoire directe

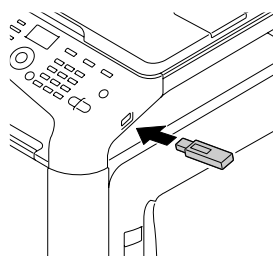
Il est possible d'imprimer des fichiers PDF, XPS, JPEG et TIFF enregistrés sur un périphérique mémoire USB en branchant ce dernier dans la machine.

**Remarque :**

- ❑ La fonction Mémoire directe ne peut être utilisée que si un disque dur optionnel est installé.
- ❑ Pour plus d'informations sur la spécification de paramètres à l'aide du panneau de commande, voir « Menu MEMORY PRINT (impress. mémoire) » à la page 94.
- ❑ Les périphériques mémoire USB chiffrés ne sont pas pris en charge.

#### Impression à partir d'un périphérique mémoire USB connecté

1. Connectez le périphérique mémoire USB au port HOTE USB.



2. Dans l'écran principal, appuyez sur la touche ▲ ou ▼ pour sélectionner l'option MEMORY PRINT (impress. mémoire), puis appuyez sur la touche **Select**.
3. Appuyez sur la touche ▲ ou ▼ pour sélectionner l'option LIST OF FILES (liste de fichiers), puis appuyez sur la touche **Select**.

**Remarque :**

Quand tous les fichiers (PDF, XPS, JPEG et TIFF) sont affichés, sélectionnez TYPE OF FILES (Type de fichier), puis appuyez sur la touche **Select**.

4. Dans la liste des fichiers, sélectionnez le fichier que vous voulez imprimer, puis appuyez sur la touche **Select**.  
Si le fichier à imprimer se trouve dans un dossier, sélectionnez ce dossier, puis appuyez sur la touche **Select**.

**Remarque :**

- Vous pouvez afficher jusqu'à 99 dossiers et fichiers.
- Vous pouvez afficher jusqu'à 7 niveaux de dossier.

5. Spécifiez les paramètres d'impression désirés.

**Remarque :**

*Pour plus d'informations sur la fonction Mémoire directe, voir « Menu MEMORY PRINT (impress. mémoire) » à la page 94.*

6. Appuyez sur la touche **Start (Color) (Départ (Couleur))** ou sur la touche **Start (B&W) (Départ (N&B))** pour lancer l'impression.

**Remarque :**

*Au cours de l'impression en mode mémoire directe, ne débranchez pas le périphérique mémoire USB du port HOTE USB.*

## Chapitre 6

### Utilisation du copieur

#### Fonctions de copie de base

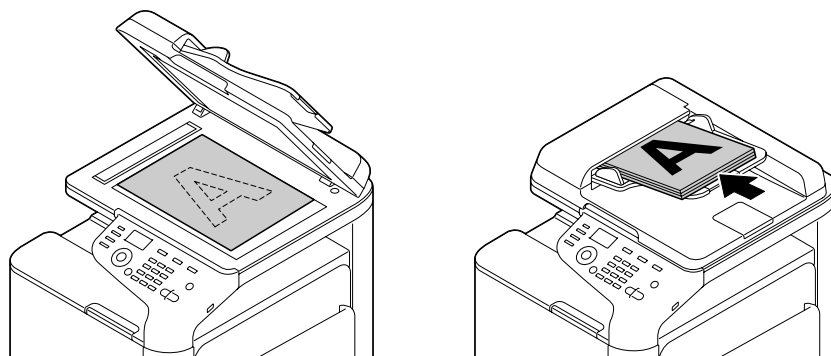
Cette section décrit les opérations de base ainsi que les fonctions les plus souvent utilisées pour produire des copies, telles que la spécification d'un taux de zoom et le réglage de la densité de copie.

**Remarque :**

- ❑ Vous pouvez modifier le format papier par défaut avec le paramètre PAPER SETUP (Config. Papier) dans le menu UTILITY (Utilitaire). Pour plus d'informations, voir « Menu PAPER SETUP (Config. Papier) » à la page 54.
- ❑ Lorsque vous définissez des paramètres, si aucune touche n'est activée durant le délai spécifié pour AUTO PANEL RESET (RàZ Panneau Auto), les paramètres saisis sont annulés et l'écran principal (mode Copie) s'affiche à nouveau.

#### Opérations de copie de base

1. Appuyez sur la touche **Copy (Copie)** pour passer en mode Copie.
2. Placez le document à copier.



**Remarque :**

Pour plus d'informations sur le placement du document, voir « Chargement d'un document » à la page 122.



3. Spécifiez les paramètres de copie désirés.
4. Entrez le nombre de copies souhaitées à l'aide du clavier.

**Remarque :**

En cas d'erreur de saisie, appuyez sur la touche **Back (Retour)**, puis entrez le nombre de copies souhaitées.

5. Pour imprimer des copies en couleur, appuyez sur la touche **Start (Color) (Départ (Couleur))**. Pour imprimer des copies monochromes, appuyez sur la touche **Start (B&W) (Départ (N&B))**. La copie démarre.

**Remarque :**

- Si vous appuyez sur la touche **Stop/Reset (Stop/RàZ)** pendant la copie, le message JOB CANCEL (Travail Annulé) s'affiche. Pour arrêter la copie, sélectionnez YES (Oui). Pour poursuivre la copie, sélectionnez NO (Non).
- Si le paramètre COLOR COPY (Copie coul.) du menu ADMIN. MANAGEMENT (Gestion admin.)/PASSWORD SETTING (Réglage motpasse)/FULL FUNC. NO. (N° fonct.) a été limité, entrez le numéro spécifié pour FULL FUNC. NO. (N° fonct.) après avoir appuyé sur la touche **Start (Départ)**.

## Définition de la qualité de copie

Sélectionnez le type de document et la densité de copie appropriés pour le contenu et la densité du document à copier.

### Sélection du type de document

1. A partir de l'écran principal (mode Copie), appuyez sur la touche ▲ ou ▼ pour sélectionner le paramètre de qualité de copie actuel, puis appuyez sur la touche **Select**.
2. Appuyez sur la touche ▲ ou ▼ pour sélectionner MODE (Mode), puis sur la touche **Select**.
3. Appuyez sur la touche ▲ ou ▼ pour sélectionner MIX (Mix), TEXT (Texte), PHOTO (Photo), FINE/MIX (Fin/Mix), FINE/TEXT (Fin/Texte) ou FINE/PHOTO (Fin/Photo), puis appuyez sur la touche **Select**.  
L'écran principal (mode Copie) s'affiche à nouveau.

**Remarque :**

Par défaut : FINE/MIX (Fin/Mix). Cependant, lorsqu'un document est introduit dans le chargeur ADF, le paramètre MIX (Mix) est automatiquement sélectionné pour donner la priorité à la vitesse. Ce paramètre peut être modifié après avoir introduit le document dans le chargeur ADF. Suivez les étapes 1 à 3 décrites ci-dessus pour modifier le paramètre.

Lorsqu'un document introduit dans le chargeur ADF a été copié, le paramètre par défaut FINE/MIX (Fin/Mix) est automatiquement sélectionné.

Mais le système conserve le paramètre modifié avant le chargement du document dans le chargeur ADF.

**Définition de la densité de copie**

1. A partir de l'écran principal (mode Copie), appuyez sur la touche ▲ ou ▼ pour sélectionner le paramètre de qualité de copie actuel, puis appuyez sur la touche **Select**.
2. Appuyez sur la touche ▲ ou ▼ pour sélectionner DENSITY (Densité), puis sur la touche **Select**.
3. Appuyez sur la touche ◀ ou ▶ pour sélectionner la densité de copie désirée, puis sur la touche **Select**.  
Vers la droite, vous obtenez une densité plus soutenue.

**Remarque :**

Si vous avez choisi TEXT (Texte) ou FINE/TEXT (Fin/Texte) comme mode de copie, sélectionnez AUTO (Autom.) ou MANUAL (Manuel) à l'étape 3. Si MANUAL (Manuel) est sélectionné, définissez la densité de copie.

**Définition de la netteté de copie**

1. A partir de l'écran principal (mode Copie), appuyez sur la touche ▲ ou ▼ pour sélectionner le paramètre de qualité de copie actuel, puis appuyez sur la touche **Select**.
2. Appuyez sur la touche ▲ ou ▼ pour sélectionner SHARPNESS (Netteté), puis sur la touche **Select**.
3. Appuyez sur la touche ◀ ou ▶ pour sélectionner la netteté de copie désirée, puis sur la touche **Select**.  
Vers la droite, vous obtenez une densité moins soutenue.

## Définition du taux de zoom

Vous pouvez spécifier un taux de zoom en sélectionnant un taux prédéfini ou en définissant un taux personnalisé.

### Sélection d'un taux de zoom prédéfini

1. A partir de l'écran principal (mode Copie), appuyez sur la touche ▲ ou ▼ pour sélectionner le paramètre de taux de zoom actuel, puis appuyez sur la touche **Select**.
2. Appuyez sur la touche ▲ ou ▼ pour sélectionner **FIXED** (fixe), puis sur la touche **Select**.
3. Appuyez sur la touche ▲ ou ▼ pour sélectionner le taux de zoom désiré, puis sur la touche **Select**.

### Définition d'un taux de zoom personnalisé

1. A partir de l'écran principal (mode Copie), appuyez sur la touche ▲ ou ▼ pour sélectionner le paramètre de taux de zoom actuel, puis appuyez sur la touche **Select**.
2. Appuyez sur la touche ▲ ou ▼ pour sélectionner **MANUAL** (Manuel), puis sur la touche **Select**.
3. Utilisez le clavier (touche 10) pour entrer le taux de zoom désiré ou appuyez sur la touche ▲ ou ▼ pour spécifier le taux de zoom, puis sur la touche **Select**.

#### **Remarque :**

Chaque fois que vous appuyez sur la touche ▲ ou ▼, le taux de zoom est incrémenté de 1 %.  
Vous pouvez définir une valeur entre 25 % et 400 %.

## Sélection du bac support

#### **Remarque :**

Si le chargeur papier de 500 feuilles en option n'est pas installé, l'option **TRAY3** (Bac3) n'apparaît pas.

1. A partir de l'écran principal (mode Copie), appuyez sur la touche ▲ ou ▼ pour sélectionner le paramètre de bac support actuel, puis appuyez sur la touche **Select**.
2. Appuyez sur la touche ▲ ou ▼ pour sélectionner le bac de support désiré, puis sur la touche **Select**.

**Remarque :**

Si aucun support n'est chargé, EMPTY (Vide) s'affiche à droite du format du support.

---

## Fonctions de copie avancées

Cette section décrit les fonctions de copie 2en1/4en1, de copie de carte d'identité (carte ID), de copie répétée, de copie poster, de copie recto-verso et de copies triées.

**Remarque :**

La fonction de copie 2en1/4en1, de copie recto-verso ou de copies triées ne peut pas être sélectionnée lorsque la fonction de copie de carte d'identité, copie répétée ou copie poster est activée. Si deux fonctions ne peuvent pas être utilisées simultanément, la priorité est donnée à la dernière fonction sélectionnée.

### Définition de la copie 2en1/4en1

Lorsque la copie 2en1 est activée, vous pouvez copier deux pages d'un document sur une seule page. Lorsque la copie 4en1 est activée, vous pouvez copier quatre pages d'un document sur une seule page.

#### Copie 2en1/4en1 à partir du chargeur ADF

1. A partir de l'écran principal (mode Copie), appuyez sur la touche ▲ ou ▼ pour sélectionner le paramètre de mise en page actuel, puis appuyez sur la touche **Select**.
2. Appuyez sur la touche ▲ ou ▼ pour sélectionner 2in1 (2en1) ou 4in1 (4en1), puis sur la touche **Select**.  
Le taux de zoom se règle automatiquement en fonction du format papier spécifié. Vous pouvez le changer si nécessaire.

**Remarque :**

- Si vous utilisez la fonction de copie recto-verso ou de copies triées avec la fonction de copie 2en1/4en1, définissez les paramètres requis avant de lancer l'opération de copie. Pour plus d'informations, voir « Définition de la copie recto-verso » à la page 145 et « Définition de copies triées » à la page 148.
- N'activez pas la copie 2en1/4en1 quand le capot du chargeur ADF est ouvert.

#### Copie 2en1/4en1 à partir de la vitre d'exposition

1. A partir de l'écran principal (mode Copie), appuyez sur la touche ▲ ou ▼ pour sélectionner le paramètre de mise en page actuel, puis appuyez sur la touche **Select**.

- Appuyez sur la touche ▲ ou ▼ pour sélectionner 2in1 (2en1) ou 4in1 (4en1), puis sur la touche **Select**.  
Le taux de zoom se règle automatiquement en fonction du format papier spécifié. Vous pouvez le changer si nécessaire.

- Placez la première page du document sur la vitre d'exposition.

**Remarque :**

*Pour plus d'informations sur le placement d'un document sur la vitre d'exposition, voir « Placement d'un document sur la vitre d'exposition » à la page 122.*

- Pour imprimer des copies en couleur, appuyez sur la touche **Start (Color) (Départ (Couleur))**. Pour imprimer des copies monochromes, appuyez sur la touche **Start (B&W) (Départ (N&B))**. La numérisation du document démarre.

**Remarque :**

*Si vous utilisez la fonction de copie recto-verso ou de copies triées avec la fonction de copie 2en1/4en1, définissez les paramètres requis avant d'effectuer l'étape 4. Pour plus d'informations, voir « Définition de la copie recto-verso » à la page 145 et « Définition de copies triées » à la page 148.*

- Quand le message NEXT PAGE? (Page suiv.?) apparaît à l'écran, placez la deuxième page du document sur la vitre d'exposition, puis appuyez sur la touche **Select**.
- Répétez l'étape 5 pour numériser toutes les pages suivantes de votre document. Lorsque l'option 2in1 (2en1) est sélectionnée, l'impression commence automatiquement après la numérisation de deux pages du document (quatre pages, si la copie recto-verso a été sélectionnée). Lorsque l'option 4in1 (4en1) est sélectionnée, l'impression commence automatiquement après la numérisation de quatre pages du document (huit pages, si la copie recto-verso a été sélectionnée).
- Une fois que toutes les pages du document ont été numérisées, appuyez sur la touche **Start (Color) (Départ (Couleur))** ou **Start (B&W) (Départ (N&B))** pour lancer l'impression des pages restantes.

## Définition d'une fonction de copie

Vous pouvez définir une fonction de copie de carte d'identité, de copie répétée et de copie poster.

**Remarque :**

- Le taux de zoom est automatiquement réglé (et ne peut pas être modifié).



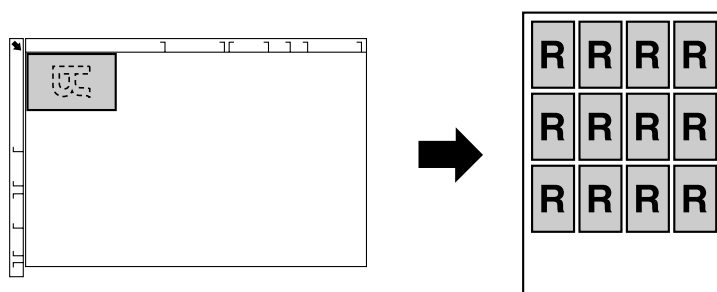
2. A partir de l'écran principal (mode Copie), appuyez sur la touche ▲ ou ▼ pour sélectionner le paramètre de fonction de copie actuel, puis appuyez sur la touche **Select**.
3. Appuyez sur la touche ▲ ou ▼ pour sélectionner ID CARD COPY (copie carte id), puis sur la touche **Select**.
4. Pour imprimer des copies en couleur, appuyez sur la touche **Start (Color) (Départ (Couleur))**. Pour imprimer des copies monochromes, appuyez sur la touche **Start (B&W) (Départ (N&B))**. La numérisation du document démarre.
5. Lorsque NEXT PAGE? (Page suiv.?) s'affiche, positionnez le verso du document à la même place que le recto, puis appuyez sur la touche **Select**.  
Après la numérisation du verso, la copie démarre automatiquement.

**Remarque :**

Pour n'imprimer que les rectos numérisés en premier, appuyez sur la touche **Start (Color) (Départ (Couleur))** ou **Start (B&W) (Départ (N&B))** à l'étape 5.

**Copie répétée**

Avec la fonction de copie répétée, vous pouvez copier toutes les pages d'un petit document, tel qu'une notice, sur une seule page.



1. Placez le document sur la vitre d'exposition.

**Remarque :**

Pour plus d'informations sur le placement d'un document sur la vitre d'exposition, voir « Placement d'un document sur la vitre d'exposition » à la page 122.

2. A partir de l'écran principal (mode Copie), appuyez sur la touche ▲ ou ▼ pour sélectionner le paramètre de fonction de copie actuel, puis appuyez sur la touche **Select**.

3. Appuyez sur la touche ▲ ou ▼ pour sélectionner REPEAT COPY (répéter copie), puis sur la touche **Select**.
4. Quand l'écran affiche How to Repeat Copy (Mode Recopie), vérifiez les paramètres, puis appuyez sur la touche **Select**.
5. Pour imprimer des copies en couleur, appuyez sur la touche **Start (Color) (Départ (Couleur))**. Pour imprimer des copies monochromes, appuyez sur la touche **Start (B&W) (Départ (N&B))**.
6. A l'aide du clavier, entrez la longueur du document, puis appuyez sur la touche **Select**.

**Remarque :**

Pour modifier la taille du document, appuyez sur la touche **Back (Retour)** pour annuler la taille actuelle, puis utilisez le clavier pour entrer la taille désirée.

7. A l'aide du clavier, entrez la largeur du document, puis appuyez sur la touche **Select**. L'impression démarre automatiquement dès que le document a été numérisé.

**Remarque :**

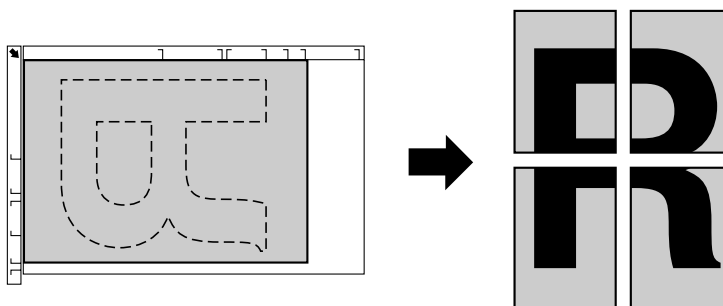
Pour modifier la taille du document, appuyez sur la touche **Back (Retour)** pour annuler la taille actuelle, puis utilisez le clavier pour entrer la taille désirée.

**Copie poster**

En mode Copie poster, la longueur et la largeur du document numérisé sont agrandies chacune de 200 % et le document est imprimé sur quatre pages.

**Remarque :**

Si l'image numérisée n'entre pas exactement dans le format de la feuille de support utilisée, elle peut être entourée de marges ou être tronquée par les bords de la feuille.



1. Placez le document sur la vitre d'exposition.



**Remarque :**

Pour plus d'informations sur le placement d'un document sur la vitre d'exposition, voir « Placement d'un document sur la vitre d'exposition » à la page 122.

2. A partir de l'écran principal (mode Copie), appuyez sur la touche ▲ ou ▼ pour sélectionner le paramètre de fonction de copie actuel, puis appuyez sur la touche **Select**.
3. Appuyez sur la touche ▲ ou ▼ pour sélectionner **POSTER COPY** (copie poster), puis sur la touche **Select**.
4. Pour imprimer des copies en couleur, appuyez sur la touche **Start (Color) (Départ (Couleur))**. Pour imprimer des copies monochromes, appuyez sur la touche **Start (B&W) (Départ (N&B))**. L'impression démarre automatiquement dès que le document a été numérisé.

## Définition de la copie recto-verso

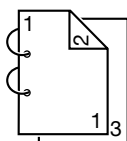
### Copie recto-verso à partir du chargeur ADF

Lorsque la copie recto-verso est activée, deux documents d'une seule page peuvent être numérisés via le chargeur ADF et imprimés sur une feuille au recto et au verso de cette feuille.

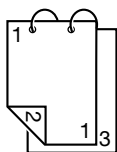
1. A partir de l'écran principal (mode Copie), appuyez sur la touche ▲ ou ▼ pour sélectionner le paramètre de copie recto/recto-verso actuel, puis appuyez sur la touche **Select**.
2. Appuyez sur la touche ▲ ou ▼ pour sélectionner **1-SIDE** (recto) ➔ **2-SIDE** (recto-verso), puis sur la touche **Select**.
3. Appuyez sur la touche ▲ ou ▼ pour sélectionner **LONG EDGE** (Bord Long) ou **SHORT EDGE** (Bord Court), puis sur la touche **Select**.  
L'écran principal (mode Copie) s'affiche à nouveau.

**Remarque :**

Quand **LONG EDGE** (Bord Long) ou **SHORT EDGE** (Bord Court) est sélectionné, l'impression recto-verso s'effectue comme indiqué ci-dessous.



Si vous sélectionnez l'option **LONG EDGE** (Bord Long), les pages sont imprimées de manière à être tournées de droite à gauche.

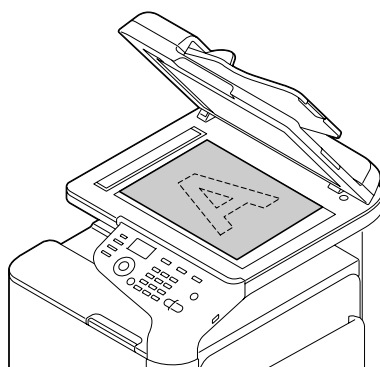


Si vous sélectionnez l'option **SHORT EDGE** (Bord Court), les pages sont imprimées de manière à être tournées de bas en haut.

### **Copie recto-verso à partir de la vitre d'exposition**

La copie recto-verso peut aussi s'effectuer en plaçant le document sur la vitre d'exposition.

1. Placez le document sur la vitre d'exposition.



**Remarque :**

Pour plus d'informations sur le placement d'un document sur la vitre d'exposition, voir « Chargement d'un document » à la page 122.

2. A partir de l'écran principal (mode Copie), appuyez sur la touche ▲ ou ▼ pour sélectionner le paramètre de copie recto/recto-verso actuel, puis appuyez sur la touche **Select**.
3. Appuyez sur la touche ▲ ou ▼ pour sélectionner 1-SIDE (recto) ➔ 2-SIDE (recto-verso), puis sur la touche **Select**.
4. Appuyez sur la touche ▲ ou ▼ pour sélectionner LONG EDGE (Bord Long) ou SHORT EDGE (Bord Court), puis sur la touche **Select**.

**Remarque :**

Pour plus d'informations sur LONG EDGE (Bord Long) et SHORT EDGE (Bord Court), voir « Copie recto-verso à partir du chargeur ADF » à la page 145.

5. Pour imprimer des copies en couleur, appuyez sur la touche **Start (Color) (Départ (Couleur))**. Pour imprimer des copies monochromes, appuyez sur la touche **Start (B&W) (Départ (N&B))**. La numérisation du document démarre.
6. Quand le message NEXT PAGE? (Page suiv.?) apparaît à l'écran, placez la deuxième page du document sur la vitre d'exposition, puis appuyez sur la touche **Select**. Après la numérisation de la deuxième page (verso), l'impression démarre automatiquement.

### **Copie recto-verso d'un document**

Un document recto-verso peut être numérisé et imprimé en tant que copie recto-verso ou recto seul.

#### **Remarque :**

- ❑ *La copie recto-verso d'un document n'est possible qu'à partir du chargeur ADF.*
  - ❑ *Si vous effectuez un grand nombre de copies lors de la copie d'un document recto-verso comme document recto, la copie risque de ne pas être possible si la mémoire est saturée.*
1. A partir de l'écran principal (mode Copie), appuyez sur la touche ▲ ou ▼ pour sélectionner le paramètre de copie recto/recto-verso actuel, puis appuyez sur la touche **Select**.
  2. Appuyez sur la touche ▲ ou ▼ afin de sélectionner l'option 2-SIDE (recto-verso) ➔ 2-SIDE (recto-verso) pour une copie recto-verso ou l'option 2-SIDE (recto-verso) ➔ 1-SIDE (recto) pour une copie recto, puis appuyez sur la touche **Select**.
  3. Appuyez sur la touche ▲ ou ▼ pour sélectionner LONG EDGE (Bord Long) ou SHORT EDGE (Bord Court) comme position de reliure du document à numériser, puis sur la touche **Select**.
  4. Si l'option 2-SIDE (recto-verso) ➔ 2-SIDE (recto-verso) a été sélectionnée à l'étape 2, sélectionnez LONG EDGE (Bord Long) ou SHORT EDGE (Bord Court) comme position de reliure de la copie recto-verso, puis appuyez sur la touche **Select**.
  5. Placez le document dans le chargeur ADF pour le recto à numériser.
  6. Pour imprimer des copies en couleur, appuyez sur la touche **Start (Color) (Départ (Couleur))**. Pour imprimer des copies monochromes, appuyez sur la touche **Start (B&W) (Départ (N&B))**. Le recto du document est numérisé.
  7. Placez le document dans le chargeur ADF pour le verso à numériser, puis appuyez sur la touche **Select**. Le verso du document est numérisé, puis la copie est imprimée.

## Définition de copies triées

Avec la fonction Copies triées, vous pouvez imprimer dans l'ordre plusieurs copies d'un document de plusieurs pages et les trier par jeu.

### Remarque :

Si vous effectuez un grand nombre de copies, la copie risque de ne pas être possible si la mémoire est saturée.

### Copies triées à partir du chargeur ADF

1. A partir de l'écran principal (mode Copie), appuyez sur la touche ▲ ou ▼ pour sélectionner le paramètre de tri actuel, puis appuyez sur la touche **Select**.
2. Appuyez sur la touche ▲ ou ▼ pour sélectionner SORT (tri), puis sur la touche **Select**.

L'écran principal (mode Copie) s'affiche à nouveau.

### Copies triées à partir de la vitre d'exposition

1. Placez le document sur la vitre d'exposition.

### Remarque :

Pour plus d'informations sur le placement d'un document sur la vitre d'exposition, voir « Placement d'un document sur la vitre d'exposition » à la page 122.

2. A partir de l'écran principal (mode Copie), appuyez sur la touche ▲ ou ▼ pour sélectionner le paramètre de tri actuel, puis appuyez sur la touche **Select**.
3. Appuyez sur la touche ▲ ou ▼ pour sélectionner SORT (tri), puis sur la touche **Select**.
4. Pour imprimer des copies en couleur, appuyez sur la touche **Start (Color) (Départ (Couleur))**. Pour imprimer des copies monochromes, appuyez sur la touche **Start (B&W) (Départ (N&B))**.
5. Quand le message NEXT PAGE? (Page suiv.?) apparaît à l'écran, placez la deuxième page du document sur la vitre d'exposition, puis appuyez sur la touche **Select**.
6. Répétez l'étape 5 pour numériser toutes les pages suivantes de votre document.
7. Une fois que toutes les pages du document ont été numérisées, utilisez le clavier pour spécifier le nombre de copies souhaitées, puis appuyez sur la touche **Start (Color) (Départ (Couleur))** ou **Start (B&W) (Départ (N&B))** pour lancer l'impression.

## Chapitre 7

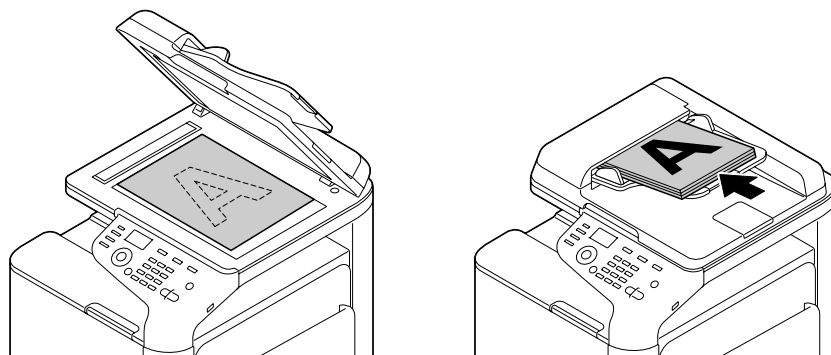
### Utilisation du scanner

#### Numérisation depuis une application sur PC

Vous pouvez numériser des documents depuis un ordinateur connecté à la machine via un câble USB ou un réseau. Des paramètres de numérisation peuvent être définis et la numérisation peut s'effectuer à partir d'applications compatibles TWAIN ou WIA. Dans le pilote du scanner, vous pouvez prévisualiser la numérisation et faire des ajustements tels que la taille de la zone de numérisation.

#### Opérations de numérisation de base

1. Placez le document à numériser.



**Remarque :**

Pour plus d'informations sur le placement du document, voir « Chargement d'un document » à la page 122.

2. Démarrez l'application à utiliser pour la numérisation.
3. Démarrez le pilote du scanner suivant les paramètres de l'application.
4. Définissez les paramètres requis du pilote du scanner.
5. Cliquez sur le bouton **Scan (Numériser)** dans le pilote du scanner.

## **Paramètres du pilote TWAIN pour Windows**

Load (Charger)

Permet de spécifier un fichier de paramètres enregistrés (fichier .dat) à utiliser pour la numérisation.

Save (Enregistrer)

Permet d'enregistrer les paramètres actuels dans un fichier de paramètres (fichier .dat).

Default (Par défaut)

Permet de rétablir les valeurs par défaut de tous les paramètres.

Icône Help (Aide)

Permet d'afficher l'aide en ligne.

Icône About (A propos de)

Permet d'afficher des informations de version du logiciel.

Paper source (Source papier)

Pour la numérisation de documents à partir de Paper source (Source papier).

Original Size (Format original)

Permet de spécifier le format original.

Scan Type (Type de numérisation)

Permet de spécifier le type de numérisation.

Resolution

Permet de spécifier la résolution.

Scale (Echelle)

Permet de spécifier le taux d'agrandissement ou de réduction de la zone sélectionnée.

**Remarque :**

*Si la résolution sélectionnée est de 1200 × 1200 dpi ou plus, vous ne pouvez pas spécifier un taux supérieur à 100 %.*

Scanning mode (Mode de numérisation)

Sélectionnez **Auto** ou **Manual (Manuel)**. Quand l'option **Manual (Manuel)** est sélectionnée, un onglet permet de spécifier des paramètres détaillés tels que **Brightness/Contrast (Luminosité/Contraste)** et **Filter (Filtre)**.

**Remarque :**

*Les paramètres pouvant être définis varient selon le mode de numérisation sélectionné.*

*Si le mode de numérisation **Auto** est sélectionné, la numérisation à partir de la vitre d'exposition s'effectue après l'affichage d'un aperçu pour contrôle.*

 Image size (Format image)

Indique la taille du fichier de données de l'image numérisée.

 Rotation

Permet de sélectionner l'orientation de l'image à numériser.

 Close (Fermer)

Cliquez pour fermer la fenêtre du pilote TWAIN.

 Prescan (Prénumérisation)

Cliquez pour lancer la numérisation afin de générer un aperçu de l'image.

 Scan (Numériser)

Cliquez pour lancer la numérisation.

 Icône AutoCrop (Cadrage auto)

Cliquez pour détecter automatiquement la position de numérisation en fonction de l'image d'aperçu.

 Icône Zoom

Cliquez pour numériser à nouveau la zone sélectionnée dans la fenêtre d'aperçu et l'agrandir afin qu'elle occupe toute la fenêtre.

 Icône Mirror (Miroir)

Cliquez pour afficher une image miroir de l'image d'aperçu.

- Icône Tone Reversal (Inverser Tons)  
Cliquez pour inverser les couleurs de l'image d'aperçu.
- Icône Clear (Effacer)  
Cliquez pour effacer l'image d'aperçu.
- Fenêtre d'aperçu  
Affiche un aperçu de l'image numérisée. Faites glisser le rectangle sur l'image pour sélectionner une zone de cette image.
- Before (Avant)/After (Après) (RGB)  
Déplacez le curseur dans la fenêtre d'aperçu pour afficher les nuances de couleur avant et après ajustements à l'endroit pointé par le curseur.
- Width/Height  
Affiche la largeur et la hauteur de la zone sélectionnée dans les unités de mesure sélectionnées.

### ***Paramètres du pilote WIA pour Windows***

- Paper source (Source papier)  
Permet de sélectionner la source papier.
- Image couleur  
Permet de numériser une image en couleur.
- Image en niveaux de gris  
Permet de numériser une image en niveaux de gris.
- Image ou texte en noir et blanc  
Permet de numériser une image en noir et blanc.
- Paramètres personnalisés  
Permet de numériser en appliquant les paramètres définis avec Adjust the quality of the scanned picture (Ajuster la qualité de l'image numérisée).



**Remarque :**

Lorsque des paramètres ont été définis avec *Adjust the quality of the scanned picture* (Ajuster la qualité de l'image numérisée), l'option *Custom Settings* (Paramètres personnalisés) est automatiquement sélectionnée.

 Ajuster la qualité de l'image numérisée

Permet d'afficher la boîte de dialogue Propriétés avancées. Dans la boîte de dialogue Propriétés avancées, les paramètres suivants peuvent être définis : Brightness (Luminosité), Contrast (Contraste), Resolution et Picture type (Type d'image) (couleur, niveaux de gris ou noir et blanc).

**Remarque :**

Les paramètres définis s'appliquent lorsque l'option *Custom Settings* (Paramètres personnalisés) est sélectionnée.

 Format de page

Permet de spécifier le format papier lorsque la Page source (Source papier) est le **Document Feeder** (Chargeur de document).

 Fenêtre d'aperçu

Affiche un aperçu de l'image numérisée. Faites glisser le rectangle sur l'image pour sélectionner une zone de cette image.

 Aperçu

Cliquez pour lancer la numérisation afin de générer un aperçu de l'image.

 Scan (Numériser)

Cliquez pour lancer la numérisation.

 Cancel (Annuler)

Cliquez pour fermer la fenêtre du pilote WIA.

## **Paramètres du pilote TWAIN pour Macintosh**

 Load (Charger)

Permet de spécifier un fichier de paramètres enregistrés (fichier .dat) à utiliser pour la numérisation.

- Save (Enregistrer)  
Permet d'enregistrer les paramètres actuels dans un fichier de paramètres (fichier .dat).
- Default (Par défaut)  
Permet de rétablir les valeurs par défaut de tous les paramètres.
- Icône Help (Aide)  
Permet d'afficher l'aide en ligne.
- Icône About (A propos de)  
Permet d'afficher des informations de version du logiciel.
- Paper source (Source papier)  
Pour la numérisation de documents à partir de Paper source (Source papier).
- Original Size (Format original)  
Permet de spécifier le format original.
- Scan Type (Type de numérisation)  
Permet de spécifier le type de numérisation.
- Resolution  
Permet de spécifier la résolution.
- Scale (Echelle)  
Permet de spécifier le taux d'agrandissement ou de réduction de la zone sélectionnée.

**Remarque :**

*Si la résolution sélectionnée est de 1200 × 1200 dpi ou plus, vous ne pouvez pas spécifier un taux supérieur à 100 %.*

- Scanning mode (Mode de numérisation)  
Sélectionnez **Auto** ou **Manual (Manuel)**. Quand l'option **Manual (Manuel)** est sélectionnée, un onglet permet de spécifier des paramètres détaillés tels que **Brightness/Contrast (Luminosité/Contraste)** et **Filter (Filtre)**.

**Remarque :**

- Les paramètres pouvant être définis varient selon le mode de numérisation sélectionné.*
- Si le mode de numérisation **Auto** est sélectionné, la numérisation à partir de la vitre d'exposition s'effectue après l'affichage d'un aperçu pour contrôle.*
- Image size (Format image)  
Indique la taille du fichier de données de l'image numérisée.
- Rotation  
Permet de sélectionner l'orientation de l'image à numériser.
- Close (Fermer)  
Cliquez pour fermer la fenêtre du pilote TWAIN.
- Prescan (Prénumérisation)  
Cliquez pour lancer la numérisation afin de générer un aperçu de l'image.
- Scan (Numériser)  
Cliquez pour lancer la numérisation.
- Icône AutoCrop (Cadrage auto)  
Cliquez pour détecter automatiquement la position de numérisation en fonction de l'image d'aperçu.
- Icône Zoom  
Cliquez pour numériser à nouveau la zone sélectionnée dans la fenêtre d'aperçu et l'agrandir afin qu'elle occupe toute la fenêtre.
- Icône Mirror (Miroir)  
Cliquez pour afficher une image miroir de l'image d'aperçu.
- Icône Tone Reversal (Inverser Tons)  
Cliquez pour inverser les couleurs de l'image d'aperçu.
- Icône Clear (Effacer)

Cliquez pour effacer l'image d'aperçu.

Fenêtre d'aperçu

Affiche un aperçu de l'image numérisée. Faites glisser le rectangle sur l'image pour sélectionner une zone de cette image.

Before (Avant)/After (Après) (RGB)

Déplacez le curseur dans la fenêtre d'aperçu pour afficher les nuances de couleur avant et après ajustements à l'endroit pointé par le curseur.

Width/Height

Affiche la largeur et la hauteur de la zone sélectionnée dans les unités de mesure sélectionnées.

---

## **Numérisation à partir de la machine**

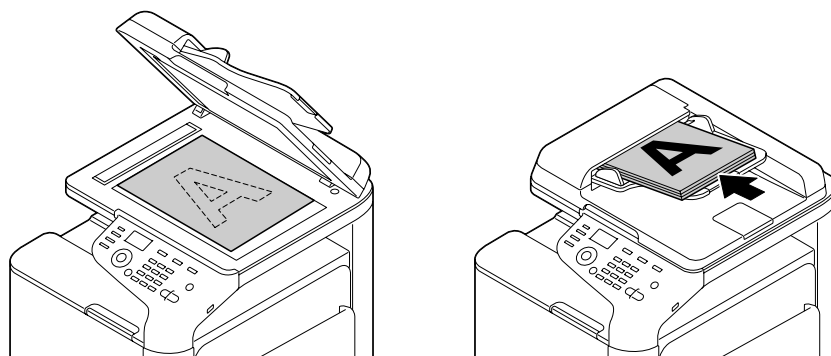
Vous pouvez utiliser les touches de la machine pour numériser des documents. Cette opération diffère d'une numérisation depuis une application sur PC en ce sens que la destination des données numérisées peut également être spécifiée.

**Remarque :**

*Lorsque vous définissez des paramètres, si aucune touche n'est activée durant le délai spécifié pour AUTO PANEL RESET (RàZ Panneau Auto), les paramètres saisis sont annulés et l'écran principal (mode Numérisation) s'affiche à nouveau.*

## **Opérations de numérisation de base**

1. Appuyez sur la touche **Scan** pour passer en mode Copie.
2. Placez le document à numériser.

**Remarque :**

Pour plus d'informations sur le placement du document, voir « Chargement d'un document » à la page 122.

3. Spécifiez les paramètres de numérisation désirés.
4. Pour numériser des documents en couleur, appuyez sur la touche **Start (Color) (Départ (Couleur))**. Pour numériser des documents monochromes, appuyez sur la touche **Start (B&W) (Départ (N&B))**.  
Si vous avez placé le document dans le chargeur ADF, la numérisation démarre et les données sont envoyées à la destination spécifiée. Si vous avez placé le document sur la vitre d'exposition, passez à l'étape 5.
5. Quand le message **NEXT PAGE? (Page suiv.?)** apparaît à l'écran, placez la deuxième page du document sur la vitre d'exposition, puis appuyez sur la touche **Select**.
6. Utilisez la touche **▲** ou **▼** pour sélectionner le format du document placé à l'étape 5, puis appuyez sur la touche **Select**.
7. Une fois que toutes les pages du document ont été numérisées, appuyez sur la touche **Start (Départ)**.  
Le document numérisé est envoyé vers la destination spécifiée.

**Remarque :**

- Si vous appuyez sur la touche **Stop/Reset (Stop/RàZ)** pendant la numérisation, le message **JOB CANCEL (Travail Annulé)** s'affiche. Pour poursuivre la numérisation, sélectionnez **NO (Non)**. Pour arrêter la numérisation, sélectionnez **YES (Oui)**.
- Pour annuler un travail à la fin de la numérisation et lorsque toutes les données numérisées sont en attente d'envoi, voir « Suppression d'un travail de transmission en attente » à la page 180.

## Définition de la destination des données

Les données numérisées peuvent être envoyées vers un ordinateur ou un périphérique mémoire USB afin d'être stockées. Pour plus d'informations sur la transmission via un réseau, voir « Spécification d'une adresse de destination (Scan vers E-mail/FTP/SMB) » à la page 158.

### Remarque :

Si vous avez spécifié une adresse de destination pour les données, l'option `SCAN TO USB MEMORY` (scan vers mem. USB) ne peut pas être sélectionnée.

## Enregistrement des données sur un périphérique mémoire USB (Scan Vers Mém. USB)

Pour envoyer les données numérisées vers un périphérique mémoire connecté au port HOTE USB de la machine, suivez la procédure décrite ci-après.

### Remarque :

Cette machine est compatible avec un périphérique hôte USB de 4 Go ou moins.

1. Connectez le périphérique mémoire USB sur le port HOTE USB de cette machine.
2. Dans l'écran principal (mode Numérisation), appuyez sur la touche ▲ ou ▼ pour sélectionner l'option `SCAN TO (Scan A)`, puis appuyez sur la touche **Select**.
3. Appuyez sur la touche ▲ ou ▼ pour sélectionner `SCAN TO USB MEMORY (scan vers mem. USB)`, puis sur la touche **Select**.

### Remarque :

Suivant le périphérique mémoire USB utilisé, la transmission des données peut prendre un certain temps.

## Spécification d'une adresse de destination (Scan vers E-mail/FTP/SMB)

Les données numérisées peuvent être envoyées via le réseau vers une adresse spécifiée (adresse e-mail, FTP ou SMB). Cette adresse peut être directement saisie ou sélectionnée parmi les adresses enregistrées sur la machine.

### Remarque :

- Pour envoyer des données numérisées via le réseau, les paramètres `NETWORK SETTING (Param. Réseau)` et `E-MAIL SETTING (Param. Email)` (pour l'envoi vers une adresse e-mail) doivent être préalablement définis.

- ❑ Si la taille des données numérisées envoyées via e-mail excède celle qui a été définie avec le paramètre FILE SIZE (taille fichier), les données sont automatiquement scindées en plusieurs messages e-mail. Pour plus d'informations, voir « Menu SCAN SETTING (Param. Scanner) » à la page 70.
- ❑ Pour enregistrer des données numérisées dans un dossier partagé sur un ordinateur installé sous Windows ou sur le serveur FTP, l'adresse FTP ou SMB doit être enregistrée sous forme d'une destination en numérotation abrégée. Ce type d'adresse ne peut être enregistré qu'à partir de l'utilitaire Local Setup Program ou Web-Based EpsonNet Config. Pour plus d'informations, voir le Reference Guide (Guide de Référence).

### Saisie directe de l'adresse e-mail

Vous pouvez directement saisir l'adresse de destination (adresse e-mail) où vous voulez envoyer vos données numérisées.

**Remarque :**

Vous pouvez saisir 16 adresses maximum (total des adresses e-mail de saisie directe et recherche LDAP).

1. Sur l'écran principal (mode Numérisation), utilisez le clavier pour saisir l'adresse de destination.

**Remarque :**

Pour plus d'informations sur la saisie/modification de texte, voir le Facsimile User's Guide (Guide d'utilisation Télécopieur).

2. Après avoir saisi le texte, appuyez sur la touche **Select**.
3. Si vous avez sélectionné une adresse e-mail, appuyez sur la touche ▲ ou ▼ pour sélectionner FINISH (Fini), puis sur la touche **Select**.

**Remarque :**

Pour saisir une autre adresse e-mail, sélectionnez ADD (Ajouter) à l'étape 3, puis spécifiez la destination.

Pour modifier l'adresse e-mail spécifiée, sélectionnez CHECK/EDIT (Contrôle/Édition) à l'étape 3, puis passez à l'étape 2 de la rubrique « Modification d'une adresse de destination spécifiée ».

Pour supprimer une adresse, sélectionnez CHECK/EDIT (Contrôle/Édition) à l'étape 3, puis passez à l'étape 2 de la rubrique « Suppression d'une adresse de destination spécifiée ».

## Sélection dans la liste du carnet d'adresses

Dans la liste des destinations en numérotation abrégée et groupée enregistrées sur la machine, vous pouvez enregistrer un maximum de 20 destinations souvent utilisées dans la liste du carnet d'adresses. Pour spécifier une adresse (adresses e-mail, FTP ou SMB) figurant dans cette liste comme destinataire des données numérisées, suivez la procédure ci-après.

### Remarque :

Pour plus d'informations sur l'enregistrement d'adresses dans la liste du carnet d'adresses, voir « Enregistrement dans la liste du carnet d'adresses » à la page 168.

1. Sur l'écran principal (mode Numérisation) ou lorsque le message `Can Use AddressBook (C-Adress. utilisable)` apparaît, appuyez sur la touche **Addressbook (Carnet d'adresses)** pour afficher `FAVORITE (Favoris)`.
2. Appuyez sur la touche ▲ ou ▼ pour sélectionner les données désirées, puis sur la touche **Select**.
3. Appuyez à nouveau sur la touche **Select**.  
Si une adresse FTP ou SMB a été sélectionnée, l'adresse de destination est alors spécifiée.
4. Si vous avez sélectionné une adresse e-mail, appuyez sur la touche ▲ ou ▼ pour sélectionner `FINISH (Fini)`, puis sur la touche **Select**.

### Remarque :

Pour saisir une autre adresse e-mail, sélectionnez `ADD (Ajouter)` à l'étape 4, puis spécifiez la destination. Lorsque vous envoyez les données vers une adresse FTP ou SMB, vous ne pouvez pas spécifier plusieurs adresses.

Pour vérifier l'adresse e-mail spécifiée, sélectionnez `CHECK/EDIT (Contrôle/Édition)` à l'étape 4. Pour supprimer une adresse, sélectionnez `CHECK/EDIT (Contrôle/Édition)` à l'étape 4, puis passez à l'étape 2 de la rubrique « Suppression d'une adresse de destination spécifiée ».

## Sélection d'une destination en numérotation abrégée

Vous pouvez enregistrer jusqu'à 250 destinations en numérotation abrégée sur cette machine. Pour spécifier une adresse (e-mail, FTP ou SMB) parmi les destinations en numérotation abrégée enregistrées comme destinataire des données numérisées, suivez la procédure ci-après.

### Remarque :

Pour plus d'informations sur l'enregistrement d'adresses sous forme de destinations en numérotation abrégée, voir « Enregistrement de destinations en numérotation abrégée (saisie directe) » à la page 170 ou « Enregistrement de destinations en numérotation abrégée (recherche LDAP) » à la page 171.



1. Sur l'écran principal (mode Numérisation) ou lorsque le message `Can Use AddressBook` (C-Adress. utilisable) apparaît, appuyez deux fois sur la touche **Addressbook (Carnet d'adresses)** pour afficher `SPEED DIAL` (Numerot. Abrese).
2. A l'aide du clavier, entrez le numéro (de 1 à 250) de la destination en numérotation abrégée, puis appuyez sur la touche **Select**.  
L'information enregistrée pour la destination en numérotation abrégée apparaît pendant deux secondes.
3. Appuyez à nouveau sur la touche **Select**.  
Si une adresse FTP ou SMB a été sélectionnée, l'adresse de destination est alors spécifiée.
4. Si vous avez sélectionné une adresse e-mail, appuyez sur la touche ▲ ou ▼ pour sélectionner `FINISH` (Fini), puis sur la touche **Select**.

**Remarque :**

*Pour saisir une autre adresse e-mail, sélectionnez `ADD` (Ajouter) à l'étape 4, puis spécifiez la destination. Lorsque vous envoyez les données vers une adresse FTP ou SMB, vous ne pouvez pas spécifier plusieurs adresses.*

*Pour vérifier l'adresse e-mail spécifiée, sélectionnez `CHECK/EDIT` (Contrôle/Édition) à l'étape 4. Pour supprimer une adresse, sélectionnez `CHECK/EDIT` (Contrôle/Édition) à l'étape 4, puis passez à l'étape 2 de la rubrique « Suppression d'une adresse de destination spécifiée ».*

**Sélection d'une destination en numérotation groupée**

Vous pouvez enregistrer jusqu'à 20 destinations en numérotation groupée sur cette machine. (Un groupe peut contenir un maximum de 50 adresses e-mail.) Pour spécifier des adresses e-mail parmi les destinations en numérotation groupée enregistrées comme destinataires des données numérisées, suivez la procédure ci-après.

**Remarque :**

- Pour plus d'informations sur l'enregistrement d'adresses e-mail sous forme de destinations en numérotation groupée, voir « Enregistrement de destinations en numérotation groupée » à la page 174.*
- Une destination en numérotation groupée contenant un numéro de téléphone ne peut pas être utilisée en mode Numérisation.*

1. Sur l'écran principal (mode Numérisation) ou lorsque le message `Can Use AddressBook` (C-Adress. utilisable) apparaît, appuyez trois fois sur la touche **Addressbook (Carnet d'adresses)** pour afficher `GROUP DIAL` (Numerot. Groupee).

2. A l'aide du clavier, entrez le numéro (de 1 à 20) de la destination en numérotation groupée, puis appuyez sur la touche **Select**.  
L'information enregistrée pour la destination en numérotation groupée apparaît pendant deux secondes.
3. Appuyez à nouveau sur la touche **Select**.
4. Appuyez sur la touche ▲ ou ▼ pour sélectionner **FINISH** (Fini), puis sur la touche **Select**.

**Remarque :**

*Pour saisir une autre adresse e-mail, sélectionnez **ADD** (Ajouter) à l'étape 4, puis spécifiez la destination.*

*Pour vérifier l'adresse e-mail spécifiée, sélectionnez **CHECK/EDIT** (Contrôle/Édition) à l'étape 4. Pour supprimer une adresse, sélectionnez **CHECK/EDIT** (Contrôle/Édition) à l'étape 4, puis passez à l'étape 2 de la rubrique « Suppression d'une adresse de destination spécifiée ».*

**Sélection dans le carnet d'adresses**

Sur cette machine, les destinations en numérotation abrégée et groupée sont enregistrées dans le carnet d'adresses. Pour spécifier une adresse (e-mail, FTP ou SMB) figurant dans le carnet d'adresses comme destinataire des données numérisées, suivez la procédure ci-après.

**Remarque :**

*Cette option n'est disponible que si des données ont été préalablement enregistrées dans le carnet d'adresses.*

1. Sur l'écran principal ou lorsque le message **Can Use AddressBook** (C-Adress. utilisable) est affiché, appuyez quatre fois sur la touche **Addressbook (Carnet d'adresses)** pour afficher **ADDRESS BOOK** (C-Adresses).
2. Appuyez sur la touche ▲ ou ▼ pour sélectionner **LIST** (Liste), puis sur la touche **Select**.  
Le contenu du carnet d'adresses s'affiche sous forme de liste.
3. Appuyez sur la touche ▲ ou ▼ pour sélectionner les données désirées, puis sur la touche **Select**.
4. Appuyez à nouveau sur la touche **Select**.  
Si une adresse FTP ou SMB a été sélectionnée, l'adresse de destination est alors spécifiée.
5. Si vous avez sélectionné une adresse e-mail, appuyez sur la touche ▲ ou ▼ pour sélectionner **FINISH** (Fini), puis sur la touche **Select**.

**Remarque :**

Pour saisir une autre adresse e-mail, sélectionnez **ADD** (Ajouter) à l'étape 5, puis spécifiez la destination. Lorsque vous envoyez les données vers une adresse FTP ou SMB, vous ne pouvez pas spécifier plusieurs adresses.

Pour vérifier l'adresse e-mail spécifiée, sélectionnez **CHECK/EDIT** (Contrôle/Édition) à l'étape 5. Pour supprimer une adresse, sélectionnez **CHECK/EDIT** (Contrôle/Édition) à l'étape 5, puis passez à l'étape 2 de la rubrique « Suppression d'une adresse de destination spécifiée ».

**Recherche dans le carnet d'adresses**

L'adresse (e-mail, FTP ou SMB) à laquelle les données numérisées sont destinées peut être spécifiée en faisant une recherche dans le carnet d'adresses.

**Remarque :**

Cette option n'est disponible que si des données ont été préalablement enregistrées dans le carnet d'adresses.

1. Sur l'écran principal (mode Numérisation) ou lorsque le message **Can Use AddressBook** (C-Adress. utilisable) est affiché, appuyez quatre fois sur la touche **Addressbook (Carnet d'adresses)** pour afficher **ADDRESS BOOK** (C-Adresses).
2. Appuyez sur la touche **▲** ou **▼** pour sélectionner **SEARCH** (Recherche), puis sur la touche **Select**.
3. À l'aide du clavier, saisissez le mot-clé (au maximum 10 caractères) pour la recherche, puis appuyez sur la touche **Select**.  
La recherche démarre et affiche ses résultats dès qu'elle se termine. Si aucune donnée ne correspond au mot-clé de recherche, le message **NOT FOUND** (non trouvé) apparaît pendant environ deux secondes.

**Remarque :**

- Pour plus d'informations sur la saisie/modification de texte, voir le *Facsimile User's Guide* (Guide d'utilisation Télécopieur).
  - Ce sont les caractères saisis au début du mot-clé de 10 caractères qui sont recherchés. La recherche peut échouer si les caractères déterminants ne se trouvent pas au début du mot-clé.
4. Appuyez sur la touche **▲** ou **▼** pour sélectionner les données désirées, puis sur la touche **Select**.

**Remarque :**

Pour restreindre les résultats de la recherche, appuyez sur la touche **Back (Retour)**, et reprenez à l'étape 3.

5. Appuyez à nouveau sur la touche **Select**.  
Si une adresse FTP ou SMB a été sélectionnée, l'adresse de destination est alors spécifiée.
6. Si vous avez sélectionné une adresse e-mail, appuyez sur la touche ▲ ou ▼ pour sélectionner FINISH (Fini), puis sur la touche **Select**.

**Remarque :**

Pour saisir une autre adresse e-mail, sélectionnez ADD (Ajouter) à l'étape 6, puis spécifiez la destination. Lorsque vous envoyez les données vers une adresse FTP ou SMB, vous ne pouvez pas spécifier plusieurs adresses.

Pour vérifier l'adresse e-mail spécifiée, sélectionnez CHECK/EDIT (Contrôle/Édition) à l'étape 6. Pour supprimer une adresse, sélectionnez CHECK/EDIT (Contrôle/Édition) à l'étape 6, puis passez à l'étape 2 de la rubrique « Suppression d'une adresse de destination spécifiée ».

**Recherche sur un serveur LDAP**

L'adresse e-mail à laquelle les données numérisées sont destinées peut être spécifiée en faisant une recherche sur un serveur LDAP.

**Remarque :**

- Pour établir une connexion à un serveur LDAP, des paramètres pour LDAP SETTING (Param. LDAP) doivent être spécifiés. Pour plus d'informations, voir le Reference Guide (Guide de Référence).
  - Vous pouvez saisir 16 adresses maximum (total des adresses de saisie directe et recherche LDAP).
  - Si vous utilisez un accès anonyme pour faire une recherche d'informations sur un serveur LDAP, vous risquez de ne pas obtenir des résultats de recherche corrects.
1. Sur l'écran principal (mode Numérisation) ou lorsque le message Can Use AddressBook (C-Adress. utilisable) est affiché, appuyez quatre fois sur la touche **Addressbook (Carnet d'adresses)** pour afficher ADDRESS BOOK (C-Adresses).
  2. Appuyez sur la touche ▲ ou ▼ pour sélectionner LDAP SEARCH (recherche LDAP), puis sur la touche **Select**.
  3. Appuyez sur la touche ▲ ou ▼ pour sélectionner NAME (Nom) ou E-MAIL (Email), puis sur la touche **Select**.

**Remarque :**

Pour rechercher des noms enregistrés, sélectionnez **NAME** (Nom). Pour rechercher des adresses e-mail, sélectionnez **E-MAIL** (Email).

4. A l'aide du clavier, saisissez le mot-clé (au maximum 10 caractères) pour la recherche, puis appuyez sur la touche **Select**.  
La recherche démarre et affiche ses résultats dès qu'elle se termine. Si aucune donnée ne correspond au mot-clé de recherche, le message **NOT FOUND** (non trouvé) apparaît pendant environ deux secondes.

**Remarque :**

- Pour plus d'informations sur la saisie/modification de texte, voir le *Facsimile User's Guide* (Guide d'utilisation Télécopieur).
  - Ce sont les caractères saisis au début du mot-clé de 10 caractères qui sont recherchés. La recherche peut échouer si les caractères déterminants ne se trouvent pas au début du mot-clé.
5. Appuyez sur la touche ▲ ou ▼ pour sélectionner les données désirées, puis sur la touche **Select**.

**Remarque :**

- Pour vérifier l'information trouvée, appuyez sur la touche ►.
  - Une adresse e-mail de plus de 64 caractères ne peut pas être spécifiée. En cas d'adresse dépassant cette longueur, le message **ADDRESS IS TOO LONG** (adresse trop longue) pendant environ deux secondes, et l'écran pour spécifier l'adresse de destination apparaît.
  - Pour restreindre les résultats de la recherche, appuyez sur la touche **Back (Retour)**, et reprenez à l'étape 4.
6. Appuyez à nouveau sur la touche **Select**.
  7. Appuyez sur la touche ▲ ou ▼ pour sélectionner **FINISH** (Fini), puis sur la touche **Select**.

**Remarque :**

Pour saisir une autre adresse e-mail, sélectionnez **ADD** (Ajouter) à l'étape 7, puis spécifiez la destination. Pour modifier l'adresse e-mail spécifiée, sélectionnez **CHECK/EDIT** (Contrôle/Édition) à l'étape 7, puis passez à l'étape 2 de la rubrique « Modification d'une adresse de destination spécifiée ». Pour supprimer une adresse e-mail spécifiée, sélectionnez **CHECK/EDIT** (Contrôle/Édition) à l'étape 7, puis passez à l'étape 2 de la rubrique « Suppression d'une adresse de destination spécifiée ». L'adresse ne peut pas être modifiée.

## Spécification de plusieurs adresses de destination

Vous pouvez spécifier une adresse de destination si vous spécifiez une adresse de destination e-mail.

### Remarque :

*En cas de sélection d'une adresse FTP ou SMB, d'autres adresses de destination ne peuvent pas être spécifiées.*

1. A partir de l'écran principal (mode Numérisation), appuyez sur la touche ▲ ou ▼ pour sélectionner le paramètre de destination des données actuel, puis appuyez sur la touche **Select**.
2. Appuyez sur la touche ▲ ou ▼ pour sélectionner ADD (Ajouter), puis sur la touche **Select**.
3. Spécifiez l'adresse de destination.

### Remarque :

*Pour plus d'informations sur la saisie d'une adresse e-mail, voir « Saisie directe de l'adresse e-mail » à la page 159.*

*Pour plus d'informations sur la sélection de destinations dans la liste du carnet d'adresses, voir « Sélection dans la liste du carnet d'adresses » à la page 160.*

*Pour plus d'informations sur la sélection d'un destination en numérotation abrégée, voir « Sélection d'une destination en numérotation abrégée » à la page 160.*

*Pour plus d'informations sur la sélection d'un destination en numérotation groupée, voir « Sélection d'une destination en numérotation groupée » à la page 161.*

*Pour plus d'informations sur la sélection de destinations dans le carnet d'adresses, voir « Sélection dans le carnet d'adresses » à la page 162.*

*Pour plus d'informations sur le lancement d'une recherche dans le carnet d'adresses, voir « Recherche dans le carnet d'adresses » à la page 163.*

*Pour plus d'informations sur le lancement d'une recherche dans le serveur LDAP, voir « Recherche sur un serveur LDAP » à la page 164.*

## Modification d'une adresse de destination spécifiée

Vous pouvez modifier une adresse e-mail de destination spécifiée.

### Remarque :

*Les adresses FTP et SMB ainsi que les adresses enregistrées sous forme de destinations en numérotation abrégée ou groupée ne peuvent pas être modifiées.*

1. A partir de l'écran principal (mode Numérisation), appuyez sur la touche ▲ ou ▼ pour sélectionner le paramètre de destination des données actuel, puis appuyez sur la touche **Select**.

2. Appuyez sur la touche ▲ ou ▼ pour sélectionner CHECK/EDIT (Contrôle/Édition), puis sur la touche **Select**.
3. Appuyez sur la touche ▲ ou ▼ pour sélectionner l'adresse e-mail à modifier, puis sur la touche **Select**.
4. A l'aide du clavier, modifiez l'adresse e-mail, puis appuyez sur la touche **Select**.

**Remarque :**

*Pour plus d'informations sur la saisie/modification de texte, voir le Facsimile User's Guide (Guide d'utilisation Télécopieur).*

5. Pour terminer la modification d'adresses, appuyez sur la touche **Back (Retour)**.
6. Appuyez sur la touche ▲ ou ▼ pour sélectionner FINISH (Fini), puis sur la touche **Select**.

### **Suppression d'une adresse de destination spécifiée**

Vous pouvez supprimer une adresse de destination (e-mail, FTP ou SMB) spécifiée.

**Remarque :**

*Les modifications appliquées ici n'ont pas d'incidence sur les données initiales (destination en numérotation abrégée, groupée, etc.).*

1. A partir de l'écran principal (mode Numérisation), appuyez sur la touche ▲ ou ▼ pour sélectionner le paramètre de destination des données actuel, puis appuyez sur la touche **Select**.
2. Pour supprimer une adresse e-mail, appuyez sur la touche ▲ ou ▼ pour sélectionner CHECK/EDIT (Contrôle/Édition), puis appuyez sur la touche **Select**. Appuyez ensuite sur la touche ▲ ou ▼ pour sélectionner l'adresse à supprimer. Pour supprimer une adresse FTP ou SMB, passez à l'étape 3.
3. Appuyez sur la touche **Stop/Reset (Stop/RàZ)**.
4. Appuyez sur la touche ▲ ou ▼ pour sélectionner YES (Oui), puis sur la touche **Select**. L'adresse sélectionnée est alors supprimée.

**Remarque :**

*Si toutes les adresses spécifiées sont supprimées, l'écran principal s'affiche à nouveau.*

5. Pour supprimer une autre adresse, répétez la procédure à partir de l'étape 2.

6. Pour terminer la suppression d'adresses, appuyez sur la touche **Back (Retour)**.
7. Appuyez sur la touche ▲ ou ▼ pour sélectionner **FINISH (Fin)**, puis sur la touche **Select**.

## Enregistrement/Modification d'adresses

Vous pouvez enregistrer/modifier des adresses dans la liste du carnet d'adresses, en tant que destinations en numérotation abrégée ou groupée.

### Remarque :

- ❑ Vous pouvez aussi enregistrer/modifier des adresses avec l'utilitaire *Web-Based EpsonNet Config* ou *Local Setup Program* disponible sur le disque *Software Disc* fourni. Pour plus d'informations, voir le *Reference Guide (Guide de Référence)*.
- ❑ Pour *Epson AcuLaser CX37DNF*, le menu de paramètres utilisé pour enregistrer/modifier des numéros de fax est le même que celui utilisé pour enregistrer/modifier des adresses. Pour plus d'informations sur l'enregistrement et la modification de numéros de fax, voir le *Facsimile User's Guide (Guide d'utilisation Télécopieur)*.

## Enregistrement dans la liste du carnet d'adresses

Dans la liste des destinations en numérotation abrégée et groupée enregistrées sur la machine, vous pouvez enregistrer un maximum de 20 destinations souvent utilisées dans la liste du carnet d'adresses. Pour enregistrer une adresse (e-mail, FTP ou SMB) dans la liste du carnet d'adresses, suivez la procédure ci-après.

1. Dans l'écran principal (mode Numérisation), appuyez sur la touche ▲ ou ▼ pour sélectionner l'option **UTILITY (Utilitaire)**, puis appuyez sur la touche **Select**.
2. Appuyez sur la touche ▲ ou ▼ pour sélectionner **DIAL REGISTER (Enregist. Num.)**, puis sur la touche **Select**.
3. Appuyez sur la touche ▲ ou ▼ pour sélectionner **FAVORITE (Favoris)**, puis sur la touche **Select**.

### Remarque :

Si des données sont déjà enregistrées dans la liste du carnet d'adresses, passez à l'étape 7 après l'étape 3.

4. Appuyez sur la touche **Addressbook (Carnet d'adresses)** pour basculer entre **SPEED DIAL (Numerot. Abrese)** et **GROUP DIAL (Numerot. Groupee)**.



5. A l'aide du clavier, entrez un nombre (entre 1 et 250) pour une destination en numérotation abrégée ou un nombre (entre 1 et 20) pour une destination en numérotation groupée à enregistrer dans la liste du carnet d'adresses, puis appuyez sur la touche **Select**.  
Les informations enregistrées pour la destination en numérotation abrégée ou groupée apparaissent.
6. Appuyez à nouveau sur la touche **Select**.
7. Pour enregistrer une autre adresse, appuyez sur la touche ▲ ou ▼ pour sélectionner ADD (Ajouter), puis sur la touche **Select**, et recommencez la procédure à partir de l'étape 4.
8. Pour terminer l'enregistrement d'adresses, appuyez sur la touche ▲ ou ▼ pour sélectionner FINISH (Fini), puis appuyez sur la touche **Select**.

### **Suppression d'adresses de la liste du carnet d'adresses**

Vous pouvez supprimer des données enregistrées dans la liste du carnet d'adresses.

#### **Remarque :**

*Les modifications appliquées ici n'ont pas d'incidence sur les données initiales (destination en numérotation abrégée, groupée, etc.).*

1. Dans l'écran principal (mode Numérisation), appuyez sur la touche ▲ ou ▼ pour sélectionner l'option UTILITY (Utilitaire), puis appuyez sur la touche **Select**.
2. Appuyez sur la touche ▲ ou ▼ pour sélectionner DIAL REGISTER (Enregist. Num.), puis sur la touche **Select**.
3. Appuyez sur la touche ▲ ou ▼ pour sélectionner FAVORITE (Favoris), puis sur la touche **Select**.
4. Appuyez sur la touche ▲ ou ▼ pour sélectionner CHECK/EDIT (Contrôle/Édition), puis sur la touche **Select**.
5. Appuyez sur la touche ▲ ou ▼ pour sélectionner l'adresse à supprimer de la liste du carnet d'adresses, puis sur la touche **Stop/Reset (Stop/RàZ)**.
6. Appuyez sur la touche ▲ ou ▼ pour sélectionner YES (Oui), puis sur la touche **Select**.  
L'adresse sélectionnée est alors supprimée.
7. Pour supprimer une autre adresse, répétez la procédure à partir de l'étape 5.

8. Pour terminer la suppression d'adresses, appuyez sur la touche **Back (Retour)**.
9. Appuyez sur la touche ▲ ou ▼ pour sélectionner **FINISH (Fini)**, puis sur la touche **Select**.

### **Enregistrement de destinations en numérotation abrégée (saisie directe)**

Vous pouvez enregistrer des adresses e-mail sous forme de destinations en numérotation abrégée. Vous pouvez enregistrer jusqu'à 250 destinations en numérotation abrégée.

#### **Remarque :**

- ❑ *Le panneau de commande de la machine ne peut pas être utilisé pour enregistrer des adresses FTP ou SMB en tant que destinations en numérotation abrégée. Ce type d'adresse peut être enregistré à partir de l'utilitaire Local Setup Program ou Web-Based EpsonNet Config. Pour plus d'informations, voir le Reference Guide (Guide de Référence).*
  - ❑ *Les nombres compris entre 221 et 250 sont réservés à l'enregistrement d'adresses FTP et SMB en destinations en numérotation abrégée via l'utilitaire Local Setup Program ou Web-Based EpsonNet Config.*
1. Dans l'écran principal (mode Numérisation), appuyez sur la touche ▲ ou ▼ pour sélectionner l'option **UTILITY (Utilitaire)**, puis appuyez sur la touche **Select**.
  2. Appuyez sur la touche ▲ ou ▼ pour sélectionner **DIAL REGISTER (Enregist. Num.)**, puis sur la touche **Select**.
  3. Appuyez sur la touche ▲ ou ▼ pour sélectionner **SPEED DIAL (Numerot. Abrese)**, puis sur la touche **Select**.
  4. A l'aide du clavier, entrez le numéro (de 1 à 220) de la destination en numérotation abrégée, puis appuyez sur la touche **Select**.
  5. Appuyez sur la touche ▲ ou ▼ pour sélectionner **MANUAL SETTING (Réglages manuels)**, puis sur la touche **Select**.

#### **Remarque :**

*Si un serveur LDAP n'est pas spécifié, l'étape 5 est ignorée.*

6. A l'aide du clavier, entrez le nom de l'enregistrement, puis appuyez sur la touche **Select**.

#### **Remarque :**

- ❑ *Pour plus d'informations sur la saisie/modification de texte, voir le Facsimile User's Guide (Guide d'utilisation Télécopieur).*

❑ Vous pouvez entrer au maximum 20 caractères.

7. A l'aide du clavier, entrez l'adresse e-mail, puis appuyez sur la touche **Select**.  
Les paramètres sont alors enregistrés, et le menu DIAL REGISTER (Enregist. Num.) s'affiche à nouveau.

**Remarque :**

*Vous pouvez entrer au maximum 64 caractères.*

### **Enregistrement de destinations en numérotation abrégée (recherche LDAP)**

Vous pouvez enregistrer des adresses e-mail sous forme de destinations en numérotation abrégée en utilisant des informations sur le serveur LDAP. Vous pouvez enregistrer jusqu'à 250 destinations en numérotation abrégée.

**Remarque :**

- ❑ Pour établir une connexion à un serveur LDAP, des paramètres pour LDAP SETTING (Param. LDAP) doivent être spécifiés. Pour plus d'informations, voir le Reference Guide (Guide de Référence).
  - ❑ Le panneau de commande de la machine ne peut pas être utilisé pour enregistrer des adresses FTP ou SMB en tant que destinations en numérotation abrégée. Ce type d'adresse peut être enregistré à partir de l'utilitaire Local Setup Program ou Web-Based EpsonNet Config. Pour plus d'informations, voir le Reference Guide (Guide de Référence).
  - ❑ Les nombres compris entre 221 et 250 sont réservés à l'enregistrement d'adresses FTP et SMB en destinations en numérotation abrégée via l'utilitaire Local Setup Program ou Web-Based EpsonNet Config.
1. Dans l'écran principal (mode Numérisation), appuyez sur la touche ▲ ou ▼ pour sélectionner l'option UTILITY (Utilitaire), puis appuyez sur la touche **Select**.
  2. Appuyez sur la touche ▲ ou ▼ pour sélectionner DIAL REGISTER (Enregist. Num.), puis sur la touche **Select**.
  3. Appuyez sur la touche ▲ ou ▼ pour sélectionner SPEED DIAL (Numerot. Abresee), puis sur la touche **Select**.
  4. A l'aide du clavier, entrez le numéro (de 1 à 220) de la destination en numérotation abrégée, puis appuyez sur la touche **Select**.
  5. Appuyez sur la touche ▲ ou ▼ pour sélectionner LDAP SEARCH (recherche LDAP), puis sur la touche **Select**.

**Remarque :**

*Si un serveur LDAP n'est pas spécifié, LDAP SEARCH (recherche LDAP) n'apparaît pas.*

6. Appuyez sur la touche ▲ ou ▼ pour sélectionner NAME (Nom) ou E-MAIL (Email), puis sur la touche **Select**.

**Remarque :**

*Pour rechercher des noms enregistrés, sélectionnez NAME (Nom). Pour rechercher des adresses e-mail, sélectionnez E-MAIL (Email).*

7. A l'aide du clavier, saisissez le mot-clé (au maximum 10 caractères) pour la recherche, puis appuyez sur la touche **Select**.  
La recherche démarre et affiche ses résultats dès qu'elle se termine. Si aucune donnée ne correspond au mot-clé de recherche, le message NOT FOUND (non trouvé) apparaît pendant environ deux secondes.

**Remarque :**

- Pour plus d'informations sur la saisie/modification de texte, voir le Facsimile User's Guide (Guide d'utilisation Télécopieur).*
- Ce sont les caractères saisis au début du mot-clé de 10 caractères qui sont recherchés. La recherche peut échouer si les caractères déterminants ne se trouvent pas au début du mot-clé.*

8. Appuyez sur la touche ▲ ou ▼ pour sélectionner les données désirées, puis sur la touche **Select**.

**Remarque :**

- Pour vérifier l'information trouvée, appuyez sur la touche ►.*
- Une adresse e-mail de plus de 64 caractères ne peut pas être spécifiée. En cas d'adresse dépassant cette longueur, le message ADDRESS IS TOO LONG (adresse trop longue) pendant environ deux secondes, et l'écran pour spécifier l'adresse de destination apparaît.*
- Pour restreindre les résultats de la recherche, appuyez sur la touche **Back (Retour)**, et reprenez à l'étape 7.*

9. Vous pouvez, si vous le souhaitez, modifier le nom d'enregistrement ; appuyez ensuite sur la touche **Select**.
10. Vous pouvez, si vous le souhaitez, modifier l'adresse e-mail ; appuyez ensuite sur la touche **Select**. Les paramètres sont alors enregistrés, et le menu DIAL REGISTER (Enregist. Num.) s'affiche à nouveau.

## **Modification/Suppression de destinations en numérotation abrégée**

Vous pouvez modifier ou supprimer des adresses enregistrées sous forme de destinations en numérotation abrégée.

### **Remarque :**

*Le panneau de commande de la machine ne peut pas être utilisé pour modifier/supprimer des adresses FTP ou SMB enregistrées en tant que destinations en numérotation abrégée. Ce type d'adresse peut être modifié/supprimé à partir de l'utilitaire Local Setup Program ou Web-Based EpsonNet Config. Pour plus d'informations, voir le Reference Guide (Guide de Référence).*

1. Dans l'écran principal (mode Numérisation), appuyez sur la touche ▲ ou ▼ pour sélectionner l'option **UTILITY** (Utilitaire), puis appuyez sur la touche **Select**.
2. Appuyez sur la touche ▲ ou ▼ pour sélectionner **DIAL REGISTER** (Enregist. Num.), puis sur la touche **Select**.
3. Appuyez sur la touche ▲ ou ▼ pour sélectionner **SPEED DIAL** (Numerot. Abréee), puis sur la touche **Select**.
4. A l'aide du clavier, entrez le numéro (de 1 à 220) de la destination en numérotation abrégée à modifier/supprimer, puis appuyez sur la touche **Select**.  
L'information actuellement enregistrée pour la destination en numérotation abrégée apparaît pendant deux secondes.
5. Appuyez sur la touche ▲ ou ▼ pour sélectionner **EDIT** (Editer) pour modifier les informations ou **DELETE** (Supprimer) pour supprimer la destination, puis appuyez sur la touche **Select**.  
Si vous sélectionnez **DELETE** (Supprimer), tous les paramètres sont supprimés et le menu **DIAL REGISTER** (Enregist. Num.) s'affiche à nouveau.
6. A l'aide du clavier, modifiez le nom de l'enregistrement, puis appuyez sur la touche **Select**.

### **Remarque :**

*Pour plus d'informations sur la saisie/modification de texte, voir le Facsimile User's Guide (Guide d'utilisation Télécopieur).*

7. A l'aide du clavier, modifiez l'adresse e-mail, puis appuyez sur la touche **Select**.  
Les paramètres modifiés sont enregistrés, et le menu **DIAL REGISTER** (Enregist. Num.) s'affiche à nouveau.

**Remarque :**

Si la destination en numérotation abrégée est enregistrée dans la liste du carnet d'adresses ou dans une destination en numérotation groupée, à la fin de l'étape 7, un message vous demande de confirmer si la destination doit ou non être conservée telle qu'elle est enregistrée. Pour conserver la destination telle qu'elle est enregistrée, sélectionnez YES (Oui). Pour annuler l'enregistrement, sélectionnez NO (Non).

**Enregistrement de destinations en numérotation groupée**

Une adresse e-mail peut être enregistrée dans une destination en numérotation groupée. Vous pouvez enregistrer jusqu'à 20 destinations en numérotation groupée. (Un groupe peut contenir un maximum de 50 adresses e-mail.)

**Remarque :**

Les adresses pouvant être enregistrées sous forme de destinations en numérotation groupée se limitent à celles enregistrées en numérotation abrégée ou à d'autres destinations en numérotation groupée.

1. Dans l'écran principal (mode Numérisation), appuyez sur la touche ▲ ou ▼ pour sélectionner l'option UTILITY (Utilitaire), puis appuyez sur la touche **Select**.
2. Appuyez sur la touche ▲ ou ▼ pour sélectionner DIAL REGISTER (Enregist. Num.), puis sur la touche **Select**.
3. Appuyez sur la touche ▲ ou ▼ pour sélectionner GROUP DIAL (Numerot. Groupée), puis sur la touche **Select**.
4. A l'aide du clavier, entrez le numéro (de 1 à 20) de la destination en numérotation groupée, puis appuyez sur la touche **Select**.
5. A l'aide du clavier, entrez le nom du groupe, puis appuyez sur la touche **Select**.

**Remarque :**

Pour plus d'informations sur la saisie/modification de texte, voir le Facsimile User's Guide (Guide d'utilisation Télécopieur).

6. A l'aide du clavier, entrez le numéro (de 1 à 220) de la destination en numérotation abrégée à ajouter au groupe, puis appuyez sur la touche **Select**.  
Les informations enregistrées pour la destination en numérotation abrégée sélectionnée apparaissent.
7. Appuyez à nouveau sur la touche **Select**.

8. Pour enregistrer une autre destination en numérotation abrégée, appuyez sur la touche ▲ ou ▼ pour sélectionner **ADD** (Ajouter), puis sur la touche **Select**, et recommencez la procédure à partir de l'étape 6.
9. Pour terminer l'enregistrement de destinations en numérotation abrégée, appuyez sur la touche ▲ ou ▼ pour sélectionner **FINISH** (Fini), puis appuyez sur la touche **Select**.

### **Modification/Suppression de destinations en numérotation groupée**

Vous pouvez modifier ou supprimer des adresses enregistrées sous forme de destinations en numérotation groupée.

1. Dans l'écran principal (mode Numérisation), appuyez sur la touche ▲ ou ▼ pour sélectionner l'option **UTILITY** (Utilitaire), puis appuyez sur la touche **Select**.
2. Appuyez sur la touche ▲ ou ▼ pour sélectionner **DIAL REGISTER** (Enregist. Num.), puis sur la touche **Select**.
3. Appuyez sur la touche ▲ ou ▼ pour sélectionner **GROUP DIAL** (Numerot. Groupée), puis sur la touche **Select**.
4. A l'aide du clavier, entrez le numéro (de 1 à 20) de la destination en numérotation groupée à modifier/supprimer, puis appuyez sur la touche **Select**.  
L'information actuellement enregistrée pour la destination en numérotation groupée apparaît pendant environ deux secondes.
5. Appuyez sur la touche ▲ ou ▼ pour sélectionner **EDIT** (Editer) pour modifier les informations ou **DELETE** (Supprimer) pour supprimer la destination, puis appuyez sur la touche **Select**.  
Si vous sélectionnez **DELETE** (Supprimer), tous les paramètres sont supprimés et le menu **DIAL REGISTER** (Enregist. Num.) s'affiche à nouveau.
6. Vous pouvez, si vous le souhaitez, modifier le nom du groupe ; appuyez ensuite sur la touche **Select**.

#### **Remarque :**

*Pour plus d'informations sur la saisie/modification de texte, voir le Facsimile User's Guide (Guide d'utilisation Télécopieur).*

7. Appuyez sur la touche ▲ ou ▼ pour sélectionner ADD (Ajouter) et ajouter une destination en numérotation abrégée, CHECK/EDIT (Contrôle/Édition) pour supprimer la destination ou FINISH (Fini) pour terminer la modification, puis appuyez sur la touche **Select**.  
Si vous sélectionnez FINISH (Fini), les paramètres modifiés sont enregistrés et le menu DIAL REGISTER (Enregist. Num.) s'affiche à nouveau. Si vous sélectionnez ADD (Ajouter), passez à l'étape 6 de « Enregistrement de destinations en numérotation groupée » à la page 174. Si vous sélectionnez CHECK/EDIT (Contrôle/Édition), passez à l'étape 8.
8. Appuyez sur la touche ▲ ou ▼ pour sélectionner la destination en numérotation abrégée à supprimer, puis sur la touche **Stop/Reset (Stop/RàZ)**.

**Remarque :**

*Pour vérifier les paramètres de la destination en numérotation abrégée sélectionnée, appuyez sur la touche **Select**.*

9. Appuyez sur la touche ▲ ou ▼ pour sélectionner YES (Oui), puis sur la touche **Select**.
10. Après avoir supprimé la destination en numérotation abrégée, appuyez sur la touche **Back (Retour)**.
11. Pour supprimer une autre destination en numérotation abrégée, répétez la procédure à partir de l'étape 8.
12. Pour terminer la suppression de destinations en numérotation abrégée, appuyez sur la touche ▲ ou ▼ pour sélectionner FINISH (Fini), puis appuyez sur la touche **Select**.

**Remarque :**

*Si la destination en numérotation groupée est enregistrée dans la liste du carnet d'adresses, à la fin de l'étape 12, un message vous demande de confirmer si la destination doit ou non être conservée telle qu'elle est enregistrée. Pour conserver la destination telle qu'elle est enregistrée, sélectionnez YES (Oui). Pour annuler l'enregistrement, sélectionnez NO (Non).*

## Sélection du format de données

Vous pouvez choisir un format de données pour l'image numérisée.

1. A partir de l'écran principal (mode Numérisation), appuyez sur la touche ▲ ou ▼ pour sélectionner le paramètre de format de données actuel, puis appuyez sur la touche **Select**.
2. Appuyez sur la touche ▲ ou ▼ pour sélectionner TIFF, PDF ou JPEG, puis sur la touche **Select**. L'écran principal (mode Numérisation) s'affiche à nouveau.



**Remarque :**

- ❑ *Si le paramètre SIMPLEX/DUPLEX (Recto/Rect-Vers) a la valeur 2-SIDE (recto-verso), seule l'option PDF s'affiche. En outre, si l'option BW Only (N/B) est sélectionnée pour le paramètre couleur, le format JPEG n'apparaît pas.*
- ❑ *Les fichiers PDF peuvent être ouverts dans Adobe Acrobat Reader.*
- ❑ *Les fichiers d'images TIFF ayant été numérisés avec le paramètre COLOR or GRAY (Couleur/Gris) activé ne peuvent pas être ouverts avec l'outil Aperçu des images et des télécopies Windows, fourni en standard avec Windows XP. Ces fichiers peuvent être ouverts avec des applications de traitement d'image telles que PhotoShop, Microsoft Office Document Imaging ou ACDsee.*

**Sélection de la qualité de numérisation**

Vous pouvez sélectionner une résolution, un mode de numérisation et une densité de numérisation appropriés pour l'image numérisée.

**Sélection de la résolution**

1. A partir de l'écran principal (mode Numérisation), appuyez sur la touche ▲ ou ▼ pour sélectionner le paramètre de qualité de numérisation actuel, puis appuyez sur la touche **Select**.
2. Appuyez sur la touche ▲ ou ▼ pour sélectionner RESOLUTION, puis sur la touche **Select**.
3. Appuyez sur la touche ▲ ou ▼ pour sélectionner 150×150dpi ou 300×300dpi, puis sur la touche **Select**.  
L'écran principal (mode Numérisation) s'affiche à nouveau.

**Sélection du mode de numérisation**

1. A partir de l'écran principal (mode Numérisation), appuyez sur la touche ▲ ou ▼ pour sélectionner le paramètre de qualité de numérisation actuel, puis appuyez sur la touche **Select**.
2. Appuyez sur la touche ▲ ou ▼ pour sélectionner MODE (Mode), puis sur la touche **Select**.
3. Appuyez sur la touche ▲ ou ▼ pour sélectionner MIX (Mix), TEXT (Texte) ou PHOTO (Photo), puis sur la touche **Select**.  
L'écran principal (mode Numérisation) s'affiche à nouveau.

### **Sélection de la densité de numérisation**

1. A partir de l'écran principal (mode Numérisation), appuyez sur la touche ▲ ou ▼ pour sélectionner le paramètre de qualité de numérisation actuel, puis appuyez sur la touche **Select**.
2. Appuyez sur la touche ▲ ou ▼ pour sélectionner DENSITY (Densité), puis sur la touche **Select**.
3. Appuyez sur la touche ◀ ou ▶ pour sélectionner la densité de numérisation désirée, puis sur la touche **Select**.  
Vers la droite, vous obtenez une densité plus soutenue.

### **Définition de la netteté de numérisation**

1. A partir de l'écran principal (mode Numérisation), appuyez sur la touche ▲ ou ▼ pour sélectionner le paramètre de qualité de numérisation actuel, puis appuyez sur la touche **Select**.
2. Appuyez sur la touche ▲ ou ▼ pour sélectionner SHARPNESS (Netteté), puis sur la touche **Select**.
3. Appuyez sur la touche ◀ ou ▶ pour sélectionner la netteté de numérisation désirée, puis sur la touche **Select**.  
Vers la droite, vous obtenez une densité moins soutenue.

### **Définition de la numérisation recto-verso**

Les documents recto-verso peuvent être numérisés via le chargeur ADF.

#### **Remarque :**

- ❑ Ces paramètres sont disponibles uniquement si le document est introduit dans le chargeur ADF. Si le document est numérisé sans être introduit dans le chargeur ADF, l'option 1-SIDE (recto) est automatiquement sélectionnée, et le document est numérisé à partir de la vitre d'exposition.
  - ❑ Ce paramètre est disponible uniquement si PDF est sélectionné comme format de données de l'image numérisée.
1. A partir de l'écran principal (mode Numérisation), appuyez sur la touche ▲ ou ▼ pour sélectionner le paramètre de copie recto/recto-verso actuel, puis appuyez sur la touche **Select**.
  2. Appuyez sur la touche ▲ ou ▼ pour sélectionner 2-SIDE (recto-verso), puis sur la touche **Select**.

3. Appuyez sur la touche ▲ ou ▼ pour sélectionner LONG EDGE (Bord Long) ou SHORT EDGE (Bord Court), puis sur la touche **Select**.  
L'écran principal (mode Numérisation) s'affiche à nouveau.

**Remarque :**

Pour plus d'informations sur LONG EDGE (Bord Long) et SHORT EDGE (Bord Court), voir « Copie recto-verso à partir du chargeur ADF » à la page 145.

4. Spécifiez les paramètres de numérisation désirés.
5. Placez le document dans le chargeur ADF pour le recto à numériser.
6. Pour numériser des documents en couleur, appuyez sur la touche **Start (Color) (Départ (Couleur))**. Pour imprimer des numérisations monochromes, appuyez sur la touche **Start (B&W) (Départ (N&B))**.  
Le recto du document est numérisé.
7. Placez le document dans le chargeur ADF pour le verso à numériser, puis appuyez sur la touche **Select**.  
Le verso du document est numérisé.

## **Définition du format de numérisation**

Vous pouvez spécifier le format des données numérisées.

1. A partir de l'écran principal (mode Numérisation), appuyez sur la touche ▲ ou ▼ pour sélectionner le paramètre de format de numérisation actuel, puis appuyez sur la touche **Select**.
2. Appuyez sur la touche ▲ ou ▼ pour sélectionner le format désiré, puis sur la touche **Select**.  
L'écran principal (mode Numérisation) s'affiche à nouveau.

## **Définition de la couleur de numérisation**

Vous pouvez spécifier la couleur des données numérisées.

1. A partir de l'écran principal (mode Numérisation), appuyez sur la touche ▲ ou ▼ pour sélectionner le paramètre de couleur de numérisation actuel, puis appuyez sur la touche **Select**.

- Appuyez sur la touche ▲ ou ▼ pour sélectionner **BW Only (N/B)** ou **COLOR or GRAY (Couleur/Gris)**, puis sur la touche **Select**.  
L'écran principal (mode Numérisation) s'affiche à nouveau.

**Remarque :**

- Si le format de données **JPEG** est sélectionné, l'option de couleur **BW Only (N/B)** et le format **PDF** sont automatiquement sélectionnés.
- Les paramètres **SCAN SETTING (Param. Scanner)/CODING METHOD (Méthode Codage)** du menu **UTILITY (Utilitaire)** ne sont disponibles que si l'option **BW Only (N/B)** est sélectionnée.

## Spécification de l'objet

Cette option vous permet de spécifier l'objet de votre envoi de données numérisées via e-mail.

- Dans l'écran principal (mode Numérisation), appuyez sur la touche ▲ ou ▼ pour sélectionner l'option **SUBJECT (sujet)**, puis appuyez sur la touche **Select**.
- A l'aide du clavier, entrez le nom de l'objet, puis appuyez sur la touche **Select**.  
L'écran principal (mode Numérisation) s'affiche à nouveau.

**Remarque :**

- Pour plus d'informations sur la saisie/modification de texte, voir le *Facsimile User's Guide (Guide d'utilisation Télécopieur)*.
- Pour annuler le nom de l'objet spécifié, appuyez sur la touche **Back (Retour)**.

## Suppression d'un travail de transmission en attente

La liste des travaux en attente de transmission peut être affichée. Dans cette liste, vous pouvez supprimer un travail.

- Dans l'écran principal (mode Numérisation), appuyez sur la touche ▲ ou ▼ pour sélectionner l'option **CANCEL RESERV. (Annuler Réserv.)**, puis appuyez sur la touche **Select**.
- Appuyez sur la touche ▲ ou ▼ pour sélectionner le travail à supprimer, puis sur la touche **Select**.

**Remarque :**

- Pour vérifier les informations concernant le travail sélectionné, appuyez sur la touche ►.
  - Si aucun travail ne se trouve en attente de transmission, NONE (Aucun) apparaît à l'écran.
3. Appuyez sur la touche ▲ ou ▼ pour sélectionner YES (Oui), puis sur la touche **Select**.  
L'écran principal (mode Numérisation) s'affiche à nouveau.

## Chapitre 8

### Remplacement des consommables et des pièces d'entretien

**Remarque :**

- ❑ *La non-observation des instructions décrites dans ce manuel peut entraîner l'annulation de votre garantie.*
- ❑ *Lorsqu'un message d'erreur (REPLACE TONER (REPLACER TONER), Fuser Unit Life (Vie U-Fixation), s'affiche, imprimez la page de configuration, puis vérifiez l'état des autres consommables. Pour plus d'informations sur les messages d'erreur, voir « Messages d'erreur » à la page 251. Pour plus d'informations sur l'impression de la page de configuration, voir « Impression d'une page de configuration » à la page 219.*

### A propos des cartouches de toner

Votre imprimante utilise quatre cartouches de toner : noir, jaune, magenta et cyan. Manipulez les cartouches de toner avec précaution, en évitant de renverser du toner sur vous ou dans l'imprimante.

**Remarque :**

- ❑ *Lors du remplacement des cartouches de toner, n'installez que des cartouches neuves. Si vous installez une cartouche qui a déjà servi, le toner restant peut ne pas s'afficher correctement.*
- ❑ *N'ouvrez pas la cartouche de toner sans raison. Si vous renversez du toner, évitez de l'inhaler ou de le laisser entrer en contact avec votre peau.*
- ❑ *Si vous renversez du toner sur vos mains ou vêtements, lavez-les immédiatement à l'eau et au savon.*
- ❑ *Si vous inhalez du toner, allez dans une pièce bien aérée et gargarisez-vous soigneusement et abondamment avec de l'eau. Si certaines conditions telles que la toux apparaissent, faites-vous prodiguer des soins médicaux.*
- ❑ *Si vous recevez du toner dans les yeux, rincez-vous immédiatement à l'eau froide pendant au moins 15 minutes. Si l'irritation persiste, faites-vous prodiguer des soins médicaux.*
- ❑ *Si du toner pénètre dans votre bouche, rincez-la complètement, puis buvez 1 ou 2 verres d'eau. Si nécessaire, faites-vous prodiguer des soins médicaux.*
- ❑ *Stockez les cartouches de toner hors de la portée des enfants.*

**Remarque :**

*L'utilisation de cartouches de toner non authentiques peut provoquer des résultats instables. En outre, les dégâts imputables à l'utilisation de cartouches de toner non authentiques ne sont pas couverts par la garantie, même si ceux-ci ont lieu au cours de la période de garantie. (Bien que l'utilisation de cartouches de toner non authentiques n'engendre pas nécessairement des dégâts, nous vous recommandons vivement d'utiliser des cartouches de toner authentiques.)*

Type	N° de référence
Cartouche de toner (jaune)	0590
Cartouche de toner (magenta)	0591
Cartouche de toner (cyan)	0592
Cartouche de toner (noir)	0593
Cartouche de toner double capacité (noir)	0594

**Remarque :**

*Pour une qualité et une vitesse optimales, utilisez uniquement les cartouches de toner Epson authentiques correspondant au type de votre machine.*

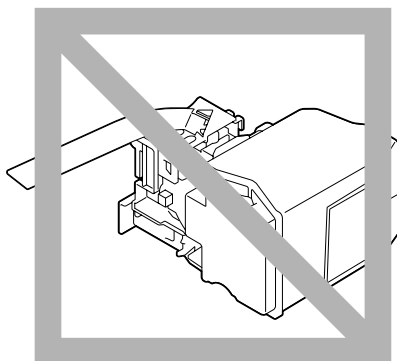
Stockez les cartouches de toner :

- Dans leur emballage d'origine tant que vous n'êtes pas prêt à les utiliser.
- Dans un local sec et frais, à l'abri du soleil (et de la chaleur).

La température de stockage ne doit pas dépasser 35° C (95° F) et l'humidité 85 % sans condensation. Quand vous déplacez une cartouche de toner d'un lieu frais en un lieu chaud et humide, une condensation peut se produire, nuisant à la qualité d'impression. Avant de l'utiliser, laissez-la s'adapter au nouvel environnement pendant environ une heure.

- Bien à plat.

Ne stockez pas les cartouches à l'envers, car le toner à l'intérieur risque de se tasser ou de se répartir inégalement.



- ❑ A l'abri de l'air marin et de vapeurs corrosives (d'aérosols par exemple).

---

## Remplacement d'une cartouche de toner

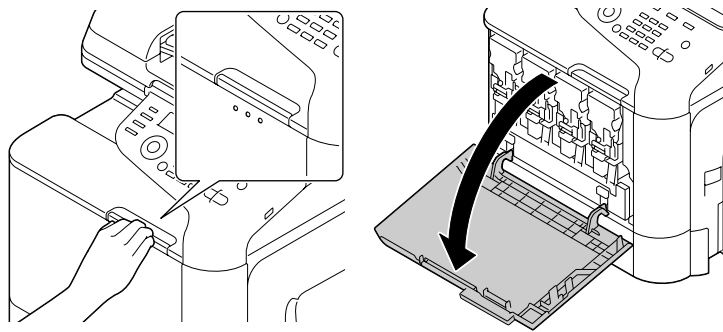
### Remarque :

Lors du remplacement d'une cartouche, veillez à ne pas répandre du toner. Si cela se produit, essuyez-le aussitôt avec un chiffon doux et sec.

Si MACHINE SETTING (Param. Machine)/TONER LOW (Toner Bas) dans le menu UTILITY (Utilitaire) a la valeur STOP (Arrêt), le message TONER LOW X (Toner Bas x) («X» indiquant la couleur du toner) apparaît quand une cartouche ne contient plus beaucoup de toner. Pour remplacer cette cartouche, suivez les instructions ci-après.

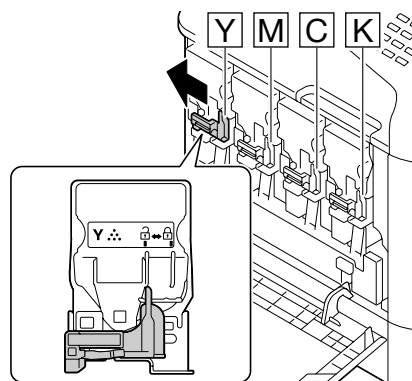
1. Dans l'écran des messages, vérifiez la couleur de la cartouche de toner à remplacer.
2. Ouvrez le capot avant de l'imprimante.



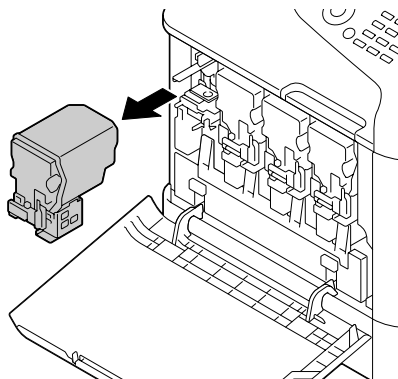


3. Tirez le levier frontal de la cartouche de toner de la couleur indiquée vers la gauche.

La procédure de remplacement pour la cartouche de toner est la même pour toutes les couleurs de toner (jaune : Y, magenta : M, cyan : C et noir : K). Les instructions suivantes décrivent la procédure de remplacement de la cartouche de toner pour la couleur jaune (Y).



4. Saisissez la cartouche de toner à remplacer par sa poignée et retirez-la de l'imprimante. Les instructions suivantes décrivent la procédure de remplacement de la cartouche de toner pour la couleur jaune (Y).

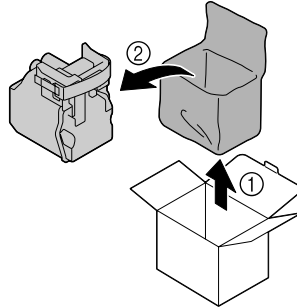


**Remarque :**

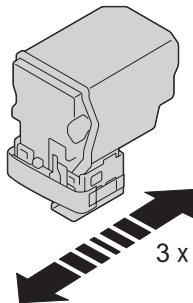
Mettez la cartouche de toner usagée au rebut conformément à la réglementation en vigueur. Elle ne doit pas être incinérée.

Pour plus d'informations, voir « A propos des cartouches de toner » à la page 182.

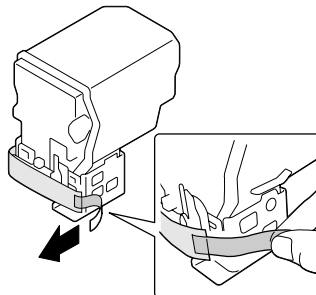
5. Vérifiez la couleur de la nouvelle cartouche de toner à installer.
6. Sortez la cartouche de son emballage.



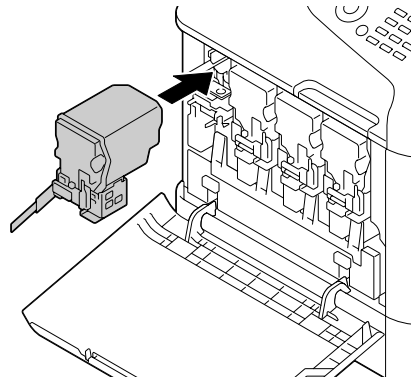
7. Secouez la cartouche pour répartir le toner à l'intérieur.



8. Retirez le ruban de protection du côté droit de la cartouche de toner.



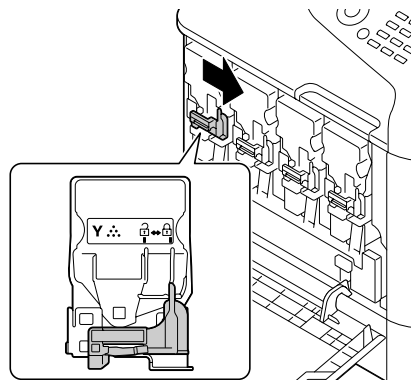
- Assurez-vous que la cartouche de toner est de la même couleur que celle du compartiment dans l'imprimante, puis introduisez-la dans l'imprimante.



**Remarque :**

*Insérez entièrement la cartouche de toner.*

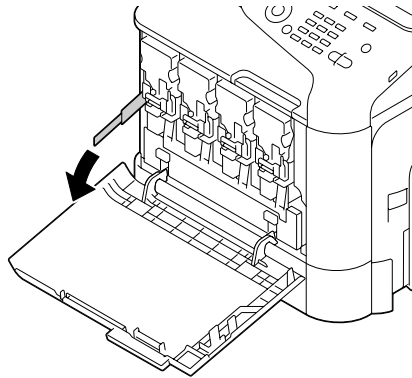
- Tirez le levier vers la droite pour le verrouiller.



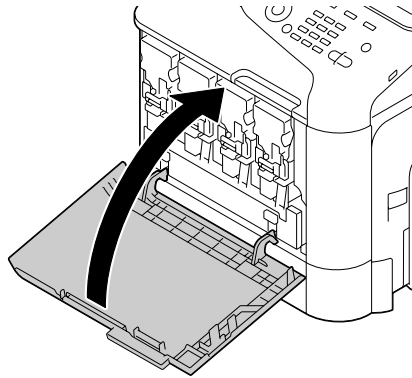
**Remarque :**

- Si le levier frontal n'est pas replacé exactement dans sa position initiale, le capot avant de l'imprimante ne peut pas être fermé.
- Si vous avez du mal à faire fonctionner le levier, poussez dessus.

11. Vérifiez que la cartouche de toner est bien installée, puis retirez son ruban de protection.

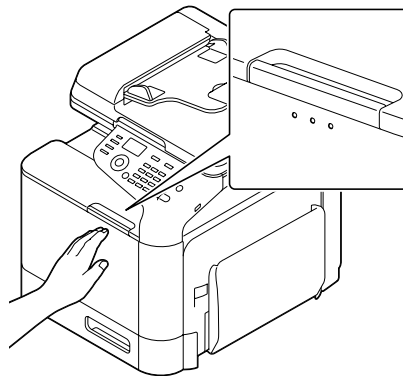


12. Fermez le capot avant.



**Remarque :**

*Pour fermer le capot avant, appuyez sur la zone du capot présentant de petites bosses.*

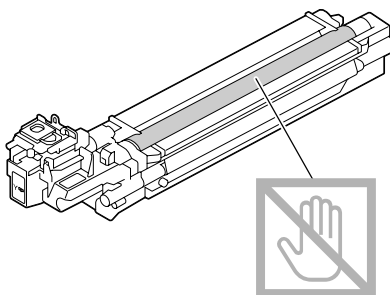


## Remplacement d'un bloc photoconducteur

Type	N° de référence
Bloc photoconducteur (jaune)	1201
Bloc photoconducteur (magenta)	1202
Bloc photoconducteur (cyan)	1203
Bloc photoconducteur (noir)	1204

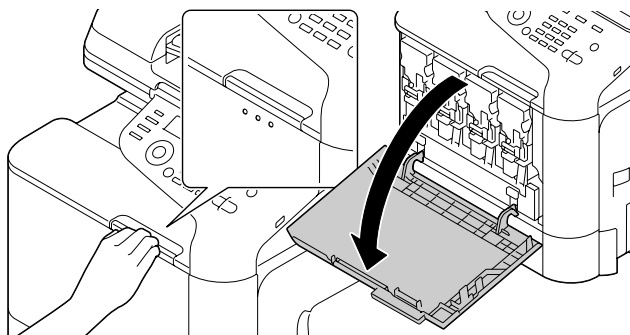
### Remarque :

- ❑ Ne touchez pas la surface du tambour OPC. Cela risque de nuire à la qualité d'image.



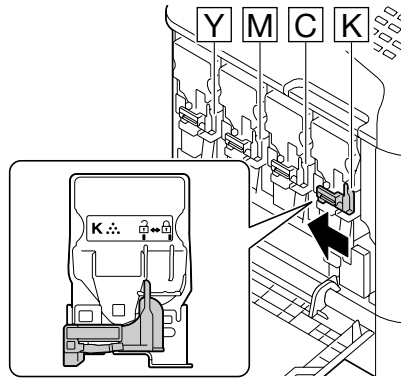
- ❑ Il est conseillé de remplacer le bloc photoconducteur quand le message F/U Life (X) (Vie U/P x) (« X » indiquant la couleur du bloc photoconducteur) s'affiche.

1. Dans l'écran des messages, vérifiez la couleur du bloc photoconducteur à remplacer.
2. Ouvrez le capot avant de l'imprimante.

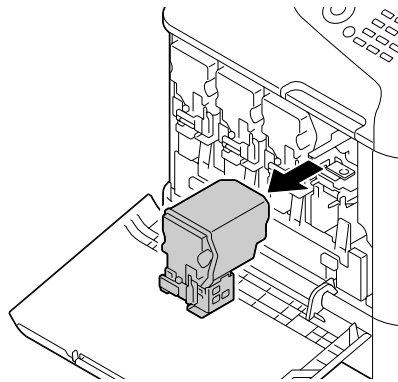


3. Tirez le levier frontal de la cartouche de toner de la couleur indiquée vers la gauche.

La procédure de remplacement pour le bloc photoconducteur est la même pour toutes les couleurs de toner (jaune : Y, magenta : M, cyan : C et noir : K). Les instructions suivantes décrivent la procédure de remplacement de la cartouche de toner noir (K).



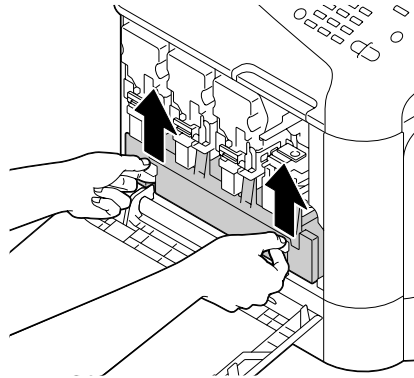
4. Saisissez la cartouche de toner à retirer par sa poignée et retirez-la de l'imprimante.



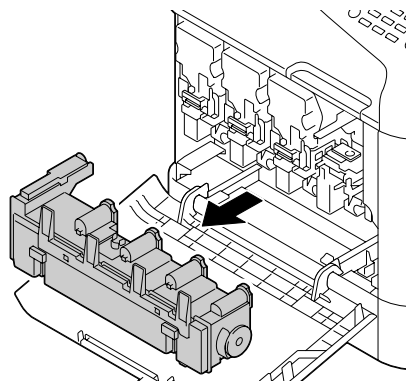
**Remarque :**

*Du toner peut se répandre si vous inclinez la cartouche de toner que vous venez de retirer.*

5. Soulevez le réceptacle de toner usagé pour le déverrouiller.



6. Saisissez le réceptacle de toner usagé par ses poignées gauche et droite, puis sortez-le doucement de l'imprimante.

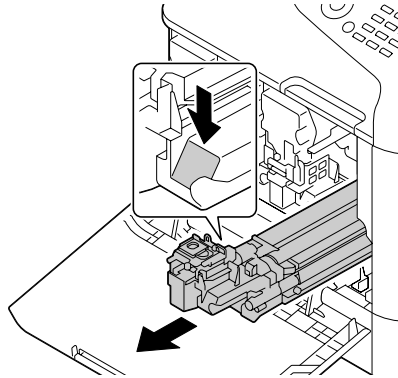


**Remarque :**

*Du toner usagé peut se répandre si vous inclinez le réceptacle de toner usagé.*

7. Appuyez sur l'endroit marqué « Push » sur le bloc photoconducteur à remplacer, puis faites-la glisser complètement hors de l'imprimante.

Les instructions suivantes décrivent la procédure de remplacement du bloc photoconducteur (noir).



**Remarque :**

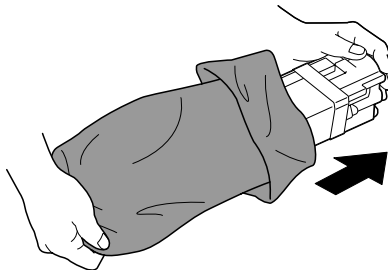
Mettez le bloc photoconducteur usagé au rebut conformément à la réglementation en vigueur. Il ne doit pas être incinéré.

8. Vérifiez la couleur du nouveau bloc photoconducteur à installer.

**Remarque :**

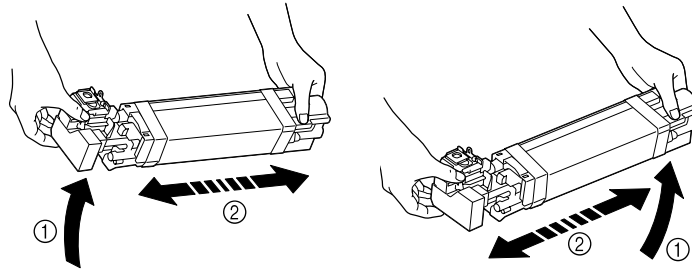
Pour éviter que du toner ne se répande, laissez le bloc photoconducteur dans son emballage jusqu'à l'étape 7.

9. Sortez le bloc photoconducteur de son emballage.



10. Tenez le bloc photoconducteur à deux mains, puis secouez-le deux fois de suite comme indiqué sur l'illustration.

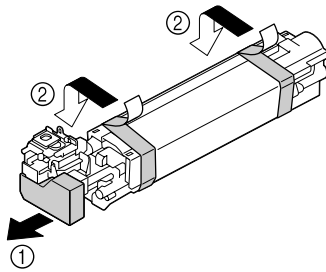




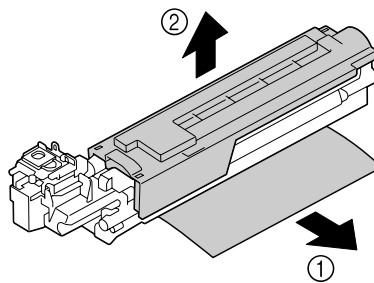
**Remarque :**

*Ne saisissez pas la partie inférieure de l'emballage, car cela risquerait d'abîmer le bloc photoconducteur et de nuire à la qualité d'impression.*

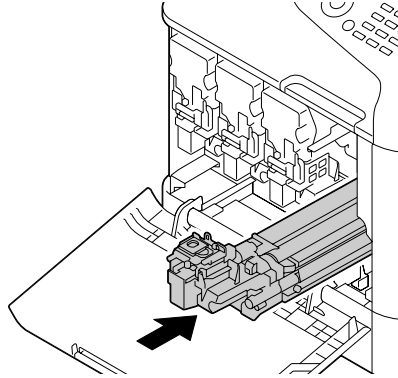
11. Retirez le couvercle protecteur du bloc photoconducteur.  
Retirez tous les adhésifs d'emballage du bloc photoconducteur.



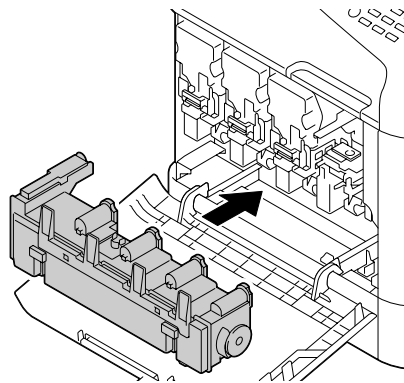
12. Retirez le papier du bloc photoconducteur.  
Retirez le couvercle protecteur du bloc photoconducteur.



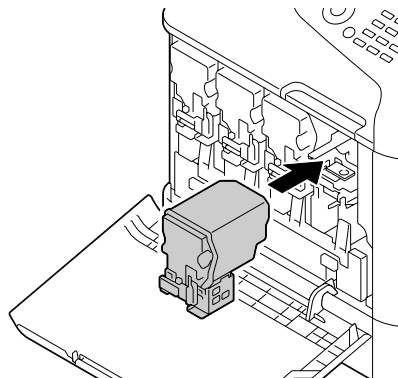
13. Assurez-vous que le nouveau bloc photoconducteur à installer est de la même couleur que celui du compartiment dans l'imprimante, puis introduisez-le dans l'imprimante jusqu'à ce qu'il s'enclenche.



14. Appuyez sur le réceptacle de toner usagé jusqu'à ce qu'il s'enclenche en position.



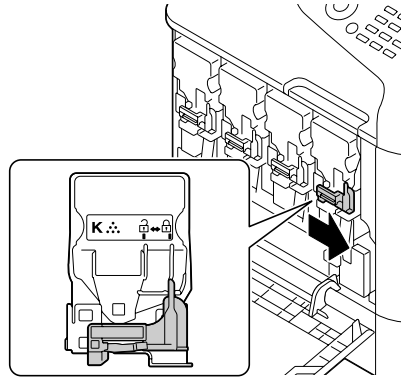
15. Assurez-vous que la cartouche de toner est de la même couleur que celle du compartiment dans l'imprimante, puis introduisez-la dans l'imprimante.



**Remarque :**

*Insérez entièrement la cartouche de toner.*

16. Tirez le levier vers la droite pour le verrouiller.

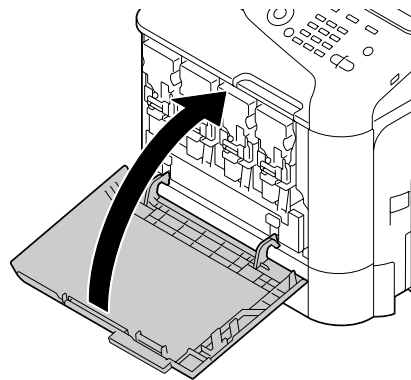


**Remarque :**

*Si le levier frontal n'est pas replacé exactement dans sa position initiale, le capot avant de l'imprimante ne peut pas être fermé.*

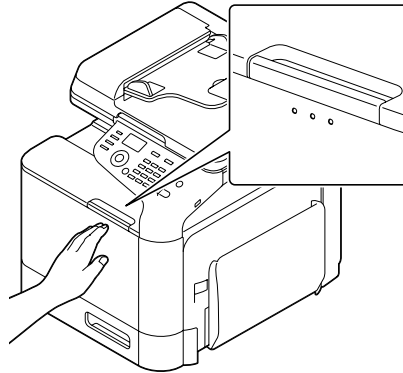
*Si vous avez du mal à faire fonctionner le levier, poussez dessus.*

17. Fermez le capot avant.



**Remarque :**

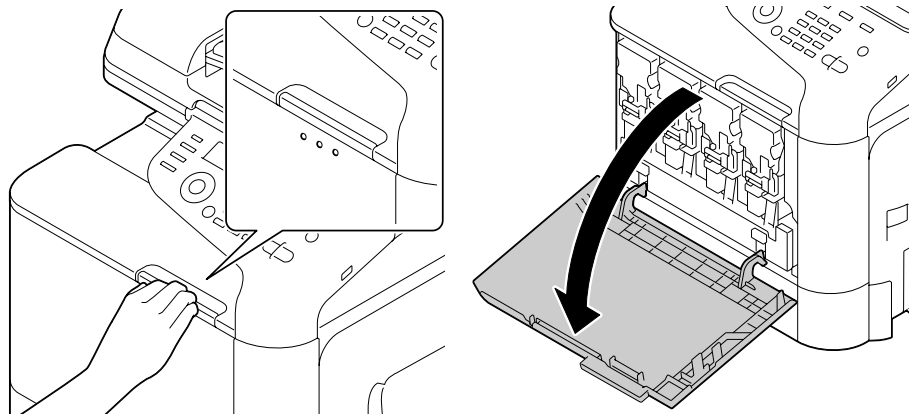
Pour fermer le capot avant, appuyez sur la zone du capot présentant de petites bosses.



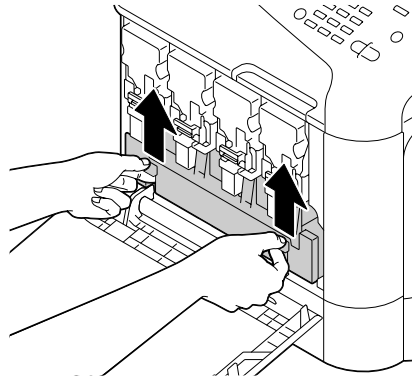
## Remplacement du réceptacle de toner usagé (0595)

Quand le réceptacle de toner usagé est plein, le message WASTE TONER FULL (Toner usé plein)/ REPLACE BOTTLE (REEMPLACER KIT) apparaît dans l'écran des messages. L'imprimante s'arrête et ne redémarre pas tant que le réceptacle de toner usagé n'est pas remplacé.

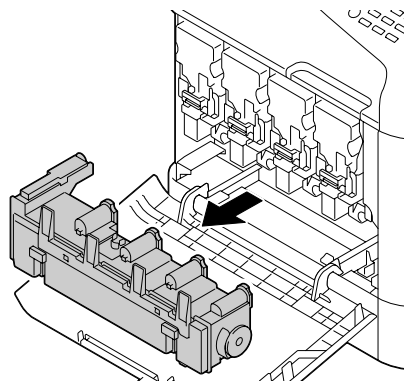
1. Ouvrez le capot avant de l'imprimante.



2. Soulevez le réceptacle de toner usagé pour le déverrouiller.



3. Saisissez le réceptacle de toner usagé par ses poignées gauche et droite, puis sortez-le doucement de l'imprimante.



**Remarque :**

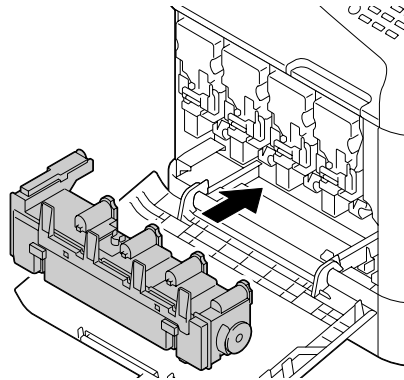
*Du toner usagé peut se répandre si vous inclinez le réceptacle de toner usagé.*

4. Sortez le nouveau réceptacle de toner usagé de son emballage. Mettez le réceptacle de toner usagé dans le sachet plastique fourni et placez-le dans la boîte d'emballage.

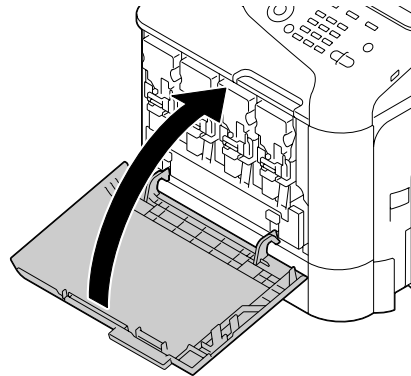
**Remarque :**

*Mettez le réceptacle de toner usagé au rebut conformément à la réglementation en vigueur. Il ne doit pas être incinéré.*

5. Appuyez sur le réceptacle de toner usagé jusqu'à ce qu'il s'enclenche en position.

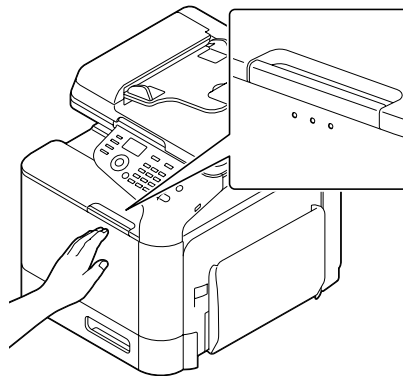


6. Fermez le capot avant.



**Remarque :**

- ❑ Pour fermer le capot avant, appuyez sur la zone du capot présentant de petites bosses.



- ❑ Si le réceptacle de toner usagé n'est pas complètement introduit, le capot avant ne peut pas être fermé.

## Remplacement de l'unité de fixation (3041/3042)

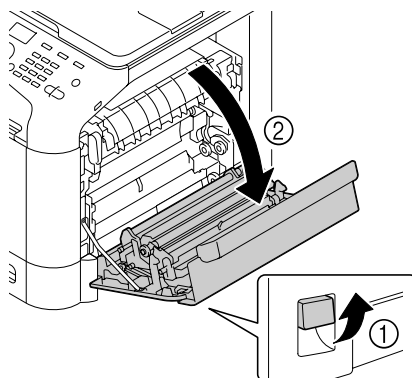
Quand l'unité de fixation arrive en fin de vie et doit être remplacée, le message *Fuser Unit Life* (Vie U-Fixation) s'affiche. L'impression peut continuer en dépit de ce message, mais étant donné que la qualité d'impression est amoindrie, il est préférable de remplacer l'unité de fixation aussitôt.

1. Eteignez l'imprimante et débranchez le cordon d'alimentation et les câbles d'interface.

### Remarque :

Certaines pièces à l'intérieur de la machine atteignent des températures très élevées pouvant provoquer des brûlures. Après avoir éteint la machine, attendez environ 40 minutes après l'arrêt de la machine, puis vérifiez que la section de l'unité de fixation est à température ambiante avant de procéder au remplacement de l'unité de fixation.

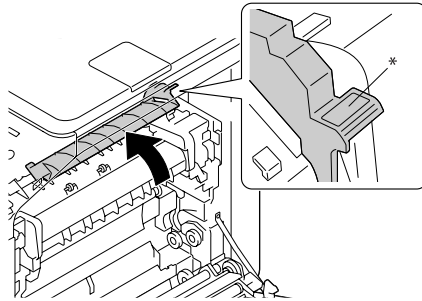
2. Soulevez le levier, puis ouvrez le capot droit.



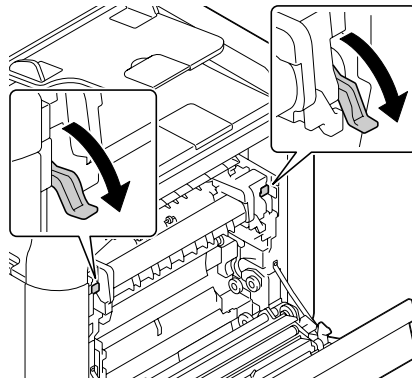
### Remarque :

Avant d'ouvrir le capot droit, repliez le Bac 1.

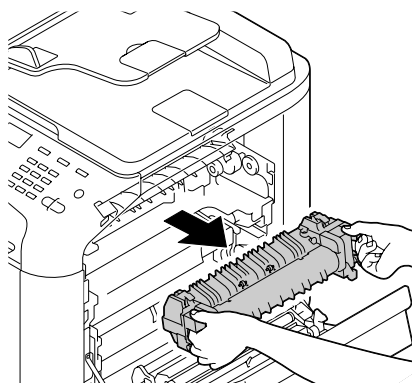
3. En maintenant en place la partie signalée par l'autocollant vert (\*), ouvrez le capot de l'unité de fixation.



4. Abaissez les deux leviers bleus.

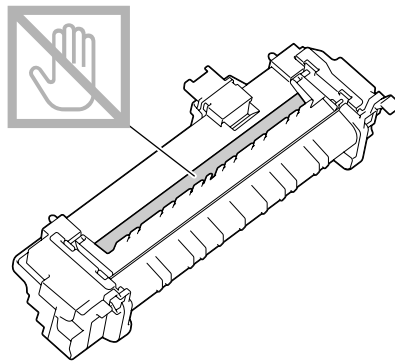


5. Retirez l'unité de fixation.





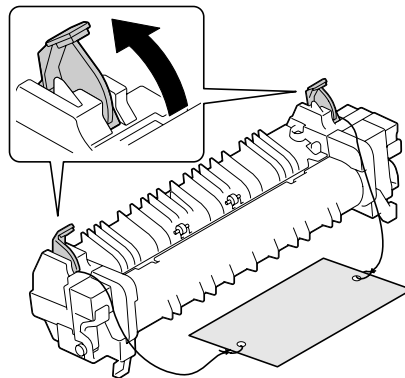
6. Préparez une nouvelle unité de fixation.



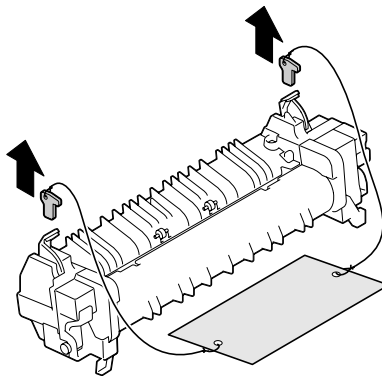
**Remarque :**

*Veillez à ne pas toucher la surface du rouleau de fixation.*

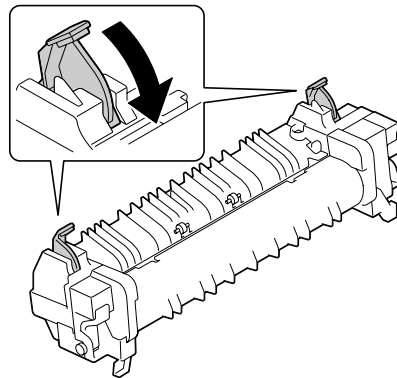
7. Soulevez les deux leviers.



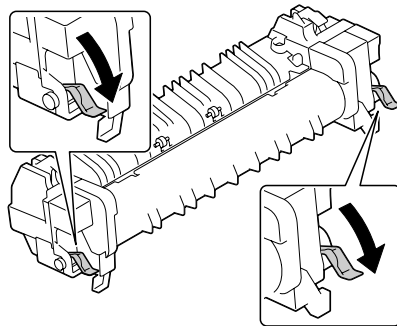
8. Retirez l'emballage.



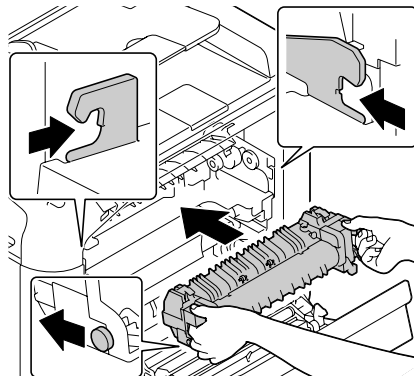
9. Abaissez les deux leviers.



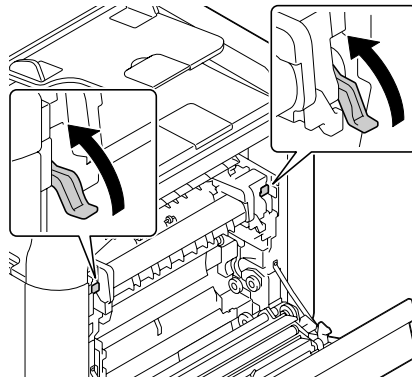
10. Abaissez les deux leviers d'une nouvelle unité de fixation.



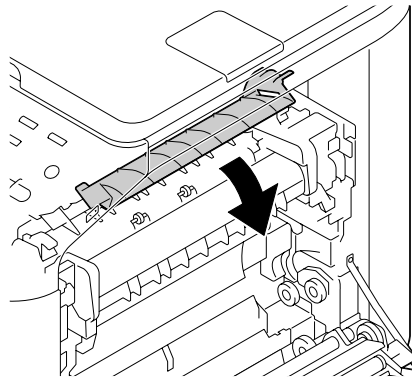
11. Placez l'unité de fixation sur le plateau métallique, puis insérez-la dans l'imprimante jusqu'à toucher la partie arrière.



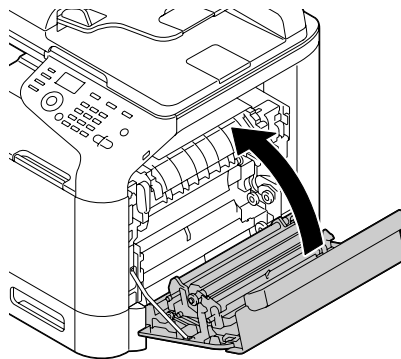
12. Soulevez les deux leviers.



13. Fermez le capot de l'unité de fixation.



14. Fermez le capot droit.



**Remarque :**

*Si vous ne pouvez pas fermer le capot, vérifiez que l'unité de fixation est complètement insérée.*

15. Rebranchez le cordon d'alimentation et allumez l'imprimante.
16. Réinitialisez le compte à l'aide de l'option ADMIN. MANAGEMENT (Gestion admin.)/SUPPLIES REPLACE (Remplacer Consom)/FUSER UNIT (Unité Fixation) dans le menu UTILITY (Utilitaire).

## Chapitre 9

### Entretien

#### Entretien de la machine

**Attention:**

Lisez attentivement toutes les étiquettes de sécurité (avertissements et consignes) en vous assurant de suivre toutes leurs instructions. Ces étiquettes se trouvent au dos des capots et à l'intérieur de la machine.

Prenez soin de la machine pour préserver sa durée de vie. Tout dégât causé par négligence n'est pas couvert par la garantie. Nettoyez l'intérieur et l'extérieur de la machine régulièrement pour éliminer poussières et résidus de papier amoindrissant ses performances et la qualité d'impression. Gardez les consignes suivantes à l'esprit.

**Avertissement:**

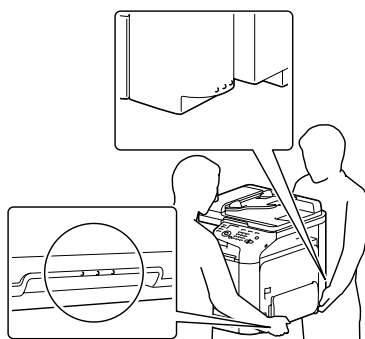
Avant tout, éteignez la machine, débranchez le cordon d'alimentation et le câble d'interface. Veillez à ne pas répandre de l'eau ou du détergent dans la machine, au risque de provoquer des dégâts ou de vous électrocuter.

**Attention:**

L'unité de fixation est brûlante. Si vous ouvrez le capot droit de la machine, elle met environ 40 minutes pour refroidir.

- En nettoyant l'intérieur de la machine ou en supprimant des bourrages, veillez à ne pas toucher l'unité de fixation ou d'autres pièces brûlantes.
- Ne posez aucun objet sur la machine.
- Pour nettoyer la machine, utilisez un chiffon doux.
- Ne vaporisez jamais de produit détergent directement sur la machine, car il risque de s'infiltrer par les grilles d'aération et d'endommager les circuits internes.
- Pour le nettoyage, évitez d'utiliser des solutions abrasives ou corrosives ou contenant des solvants (alcool ou benzène).
- Commencez toujours par appliquer le produit de nettoyage (détergent doux) sur une petite surface de la machine pour en vérifier le résultat.
- N'utilisez jamais des tampons abrasifs ou rugueux (paille de fer ou matière plastique).

- Fermez toujours les capots de la machine doucement. N'exposez jamais la machine à des vibrations excessives.
- Ne couvrez pas la machine immédiatement après l'avoir utilisée. Eteignez-la et attendez qu'elle refroidisse.
- Ne laissez pas les capots de la machine trop longtemps ouverts sous des éclairages directs pouvant endommager les blocs photoconducteurs.
- N'ouvrez pas les capots de la machine pendant qu'elle fonctionne.
- Ne tapotez pas les bords de vos paquets de feuilles sur la machine.
- La machine ne doit jamais être démontée ou lubrifiée.
- Ne basculez pas la machine.
- Ne touchez pas aux plots électriques, engrenages ou dispositifs laser, au risque d'endommager la machine et d'affaiblir la qualité d'impression.
- Ne laissez pas les imprimés s'accumuler trop haut dans le bac de sortie, car ils peuvent provoquer des bourrages et se recourber excessivement.
- Pour déplacer la machine, deux personnes sont nécessaires. Maintenez la machine à l'horizontale pour éviter de renverser du toner.
- Pour soulever la machine, repliez le Bac 1, puis soulevez la machine comme indiqué dans l'illustration.



- Si le chargeur papier de 500 feuilles en option est installé, retirez-le de la machine et déplacez chaque module séparément. Ne saisissez pas la poignée du Bac 3 ou le capot latéral droit au risque d'endommager le chargeur papier de 500 feuilles.
- Sur la peau, le toner se nettoie à l'eau froide et avec un savon doux.

**Attention:**

*Si vous recevez du toner dans les yeux, rincez-vous immédiatement à l'eau froide et consultez un docteur.*

- Avant de rebrancher la machine, assurez-vous de bien remonter toutes les pièces retirées pour le nettoyage.

---

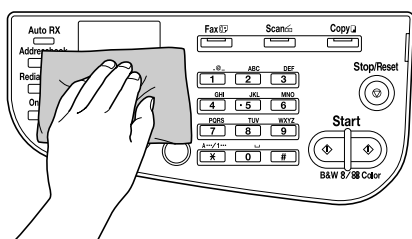
## Nettoyage de la machine

**Attention:**

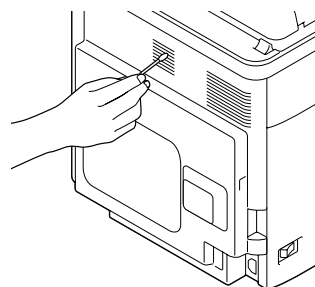
*Avant de procéder au nettoyage, éteignez la machine et débranchez le cordon d'alimentation.*

### Extérieur

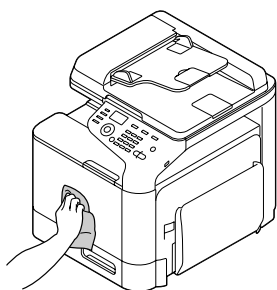
- Panneau de commande



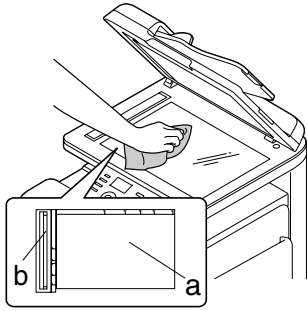
- Grille d'aération



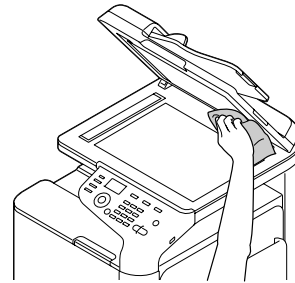
- Extérieur



- ❑ Vitre d'exposition (a)
- ❑ Vitre d'exposition (b)



- ❑ Tapis du couvercle de la vitre d'exposition

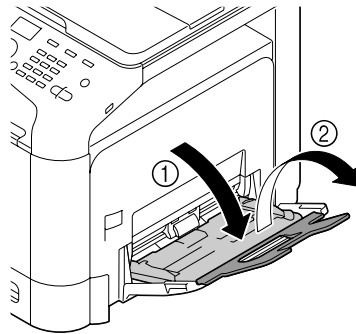


## ***Rouleaux d'entraînement papier***

Une accumulation de poussières de papier et autres débris sur les rouleaux d'entraînement papier peut être à l'origine d'incidents papier.

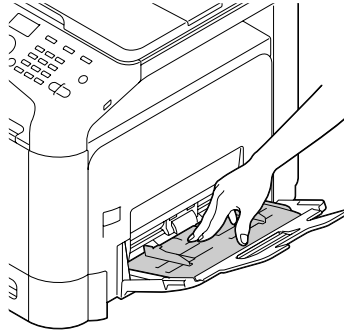
### ***Nettoyage des rouleaux d'entraînement papier (alimentation manuelle)***

1. Ouvrez le Bac 1.

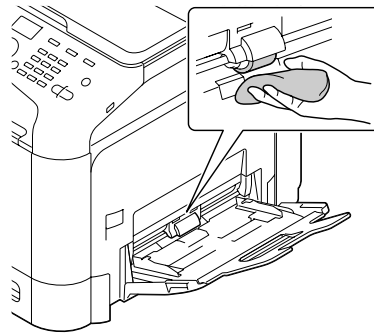




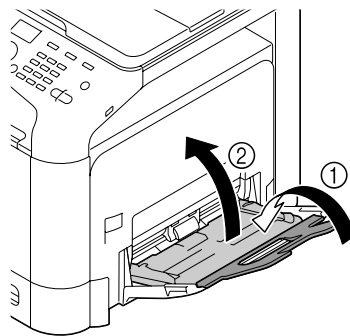
2. Appuyez au centre du volet de compression des feuilles jusqu'à ce que les onglets de verrouillage (blancs) à gauche et à droite s'enclenchent.



3. Nettoyez les rouleaux d'entraînement papier en les essuyant avec un chiffon doux et sec.

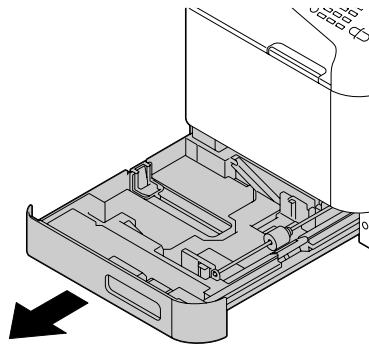


4. Fermez le bac.

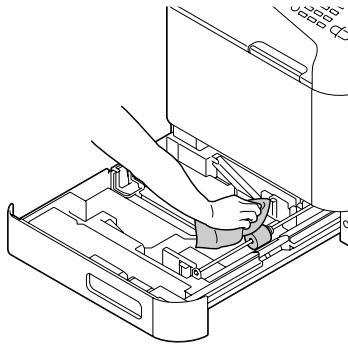


### **Nettoyage des rouleaux d'entraînement papier (Bac 2/3)**

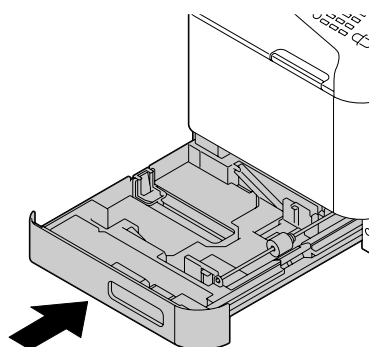
1. Tirez le bac.



2. Nettoyez les rouleaux d'entraînement papier en les essuyant avec un chiffon doux et sec.

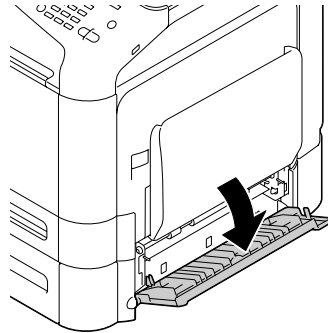


3. Fermez le bac.



### **Nettoyage des rouleaux de transfert papier (Bac 3)**

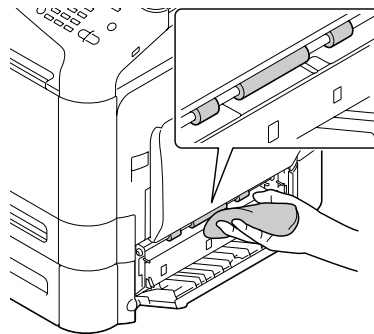
1. Ouvrez le capot latéral droit du Bac 3.



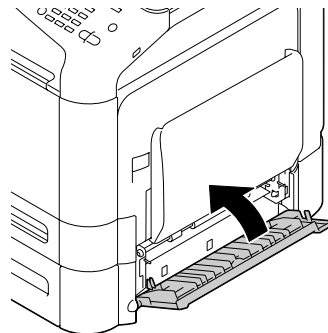
**Remarque :**

*Avant d'ouvrir le capot latéral droit du Bac 3, repliez le Bac 1.*

2. Nettoyez les rouleaux de transfert papier en les essuyant avec un chiffon doux et sec.

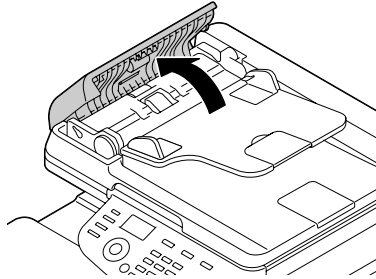


3. Fermez le capot latéral droit du Bac 3.

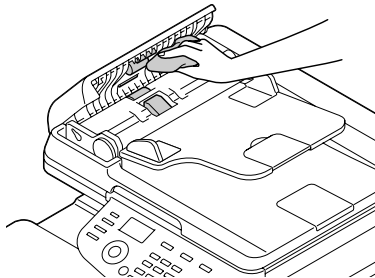


### **Nettoyage des rouleaux d'entraînement papier du chargeur ADF**

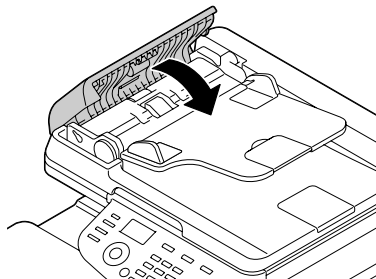
1. Ouvrez le capot du chargeur ADF.



2. Nettoyez les rouleaux d'entraînement papier en les essuyant avec un chiffon doux et sec.



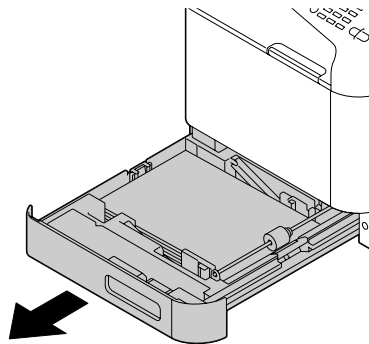
3. Fermez le capot du chargeur ADF.



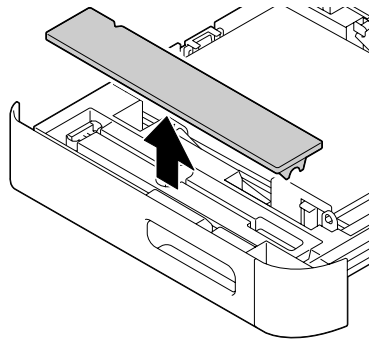
## Nettoyage des lentilles laser

Cette machine est équipée de quatre lentilles laser. Nettoyez chacune de ces lentilles comme indiqué ci-après. La barrette de nettoyage des lentilles laser doit se trouver à l'intérieur du bac 2.

1. Tirez le bac 2.



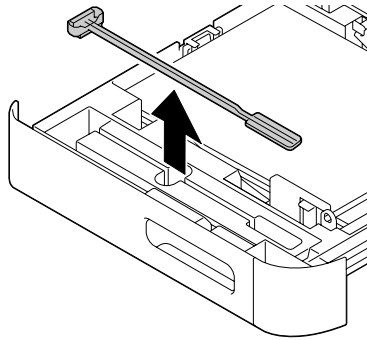
2. Retirez le capot.



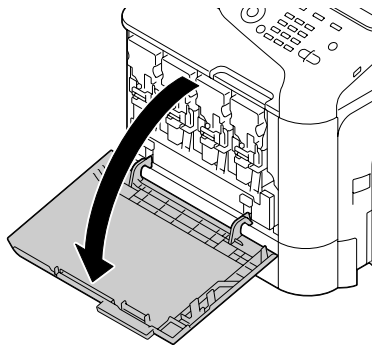
**Remarque :**

*Le capot étant utilisé plus tard, ne le remplacez pas dans sa position initiale.*

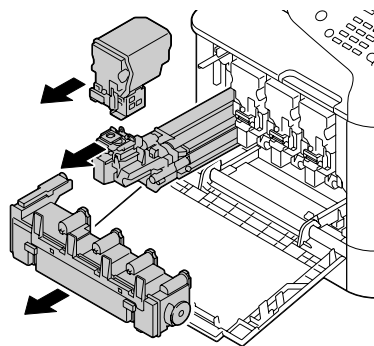
3. Retirez la barrette de nettoyage du Bac 2.



4. Fermez le bac 2.
5. Ouvrez le capot avant de la machine.



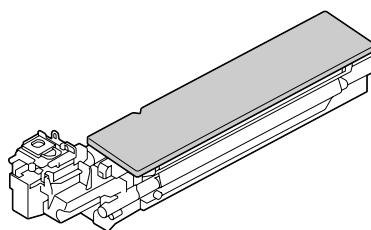
6. Retirez le réceptacle de toner usagé, la cartouche de toner et le bloc photoconducteur pour la couleur de la lentille laser à nettoyer.



**Remarque :**

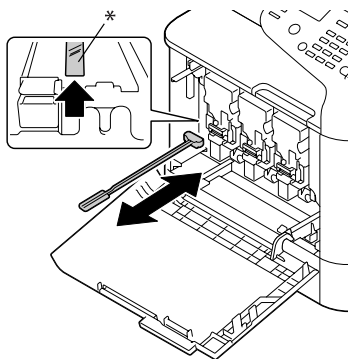
- ❑ Pour plus d'informations sur le retrait de la cartouche de toner, du bloc photoconducteur ou du réceptacle de toner usagé, voir « Remplacement d'une cartouche de toner » à la page 184 ou « Remplacement d'un bloc photoconducteur » à la page 189.
- ❑ Du toner peut se répandre si vous inclinez la cartouche de toner que vous venez de retirer.
- ❑ Du toner usagé peut se répandre si vous inclinez le réceptacle de toner usagé.

7. Fixez le capot retiré à l'étape 2 au bloc photoconducteur.



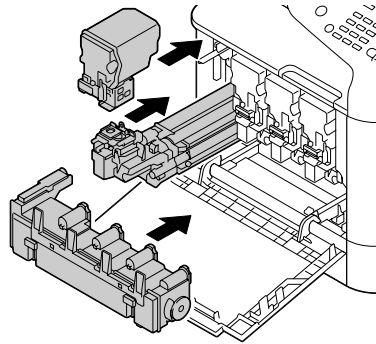
8. Introduisez la barrette de nettoyage des lentilles laser dans l'ouverture du bloc photoconducteur jusqu'à toucher la partie arrière, puis déplacez-la d'arrière en avant 2 à 3 fois de suite.

\* Lentille laser (vitre noire)

**Remarque :**

Vérifiez que le côté de l'éponge est orienté vers le bas.

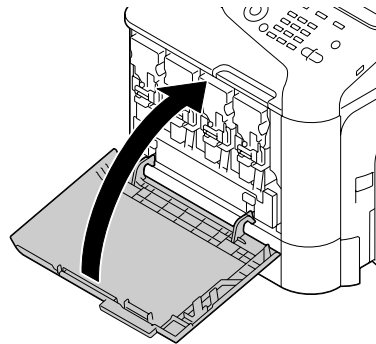
9. Réinstallez la cartouche de toner, le bloc photoconducteur et le réceptacle de toner usagé.



**Remarque :**

*Pour plus d'informations sur l'installation de la cartouche de toner, du bloc photoconducteur ou du réceptacle de toner usagé, voir « Remplacement d'une cartouche de toner » à la page 184 ou « Remplacement d'un bloc photoconducteur » à la page 189.*

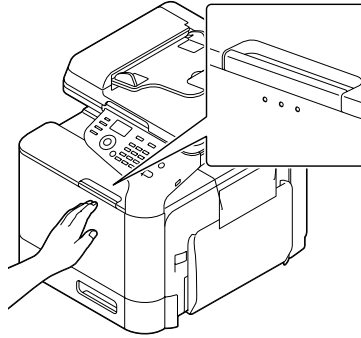
10. Fermez le capot avant.





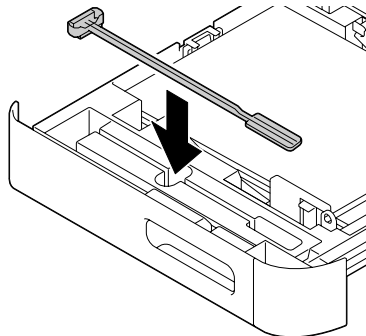
**Remarque :**

*Pour fermer le capot avant, appuyez sur la zone du capot présentant de petites bosses.*

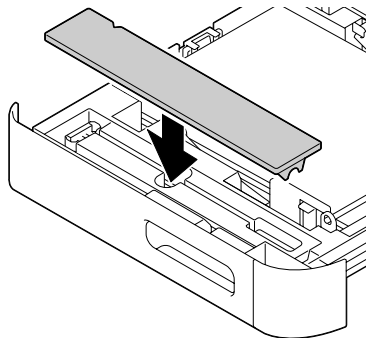


11. Tirez le bac 2.

12. Remplacez la barrette de nettoyage des lentilles laser sur son support à l'intérieur du Bac 2.



13. Fermez le capot.



14. Fermez le bac 2.

15. Nettoyez la zone entre chaque lentille laser de la même manière.

**Remarque :**

*La barrette de nettoyage des lentilles laser est fournie avec la machine.  
Rangez cet outil en lieu sûr afin de ne pas l'égarer.*

## Chapitre 10

### Résolution de problèmes

#### Impression d'une page de configuration

1. Dans l'écran principal, appuyez sur la touche ▲ ou ▼ pour sélectionner l'option REPORT/STATUS (Rapport/État), puis appuyez sur la touche **Select**.
2. Appuyez sur la touche ▲ ou ▼ pour sélectionner REPORT (Rapport), puis sur la touche **Select**.
3. Appuyez sur la touche ▲ ou ▼ pour sélectionner CONFIGURATION PAGE (Page Configuration), puis sur la touche **Select**.
4. Appuyez sur la touche **Start (B&W) (Départ (N&B))** ou sur la touche **Start (Color) (Départ (Couleur))**.

#### Prévention des bourrages papier

<b>Veillez à ce que...</b>
Le support répond aux spécifications de la machine.
Le support repose bien à plat dans le bac, notamment le bord avant.
La machine est installée sur une surface plane et dure.
Le support est stocké dans un endroit sec à l'abri de toute humidité.
Vous ajustez toujours les guides papier après avoir chargé le support dans le Bac 1 ( <i>un guide mal ajusté peut être à l'origine d'une mauvaise qualité d'impression, de bourrages, voire de dégât matériel</i> ).
Vous chargez le papier dans le bac avec la face imprimable orientée vers le haut ( <i>le côté imprimable des feuilles est en général indiqué sur l'emballage du papier</i> ).
<b>Evitez...</b>
D'utiliser un support plié, froissé ou trop recourbé.
De laisser des doubles feuilles s'alimenter dans l'imprimante ( <i>retirez le papier et aérez les feuilles pour supprimer toute adhérence</i> ).

<b>Evitez...</b>
De charger différents types, formats, grammages de support à la fois dans le même bac.
De surcharger les bacs d'alimentation papier.
De laisser les imprimés s'accumuler dans le bac de sortie ( <i>ce bac peut contenir 150 feuilles de papier standard ou 10 feuilles de papier spécial — un bourrage peut survenir si le remplissage du bac dépasse cette capacité</i> ).

## Suppression des bourrages papier

Pour éviter tout dégât, retirez toujours les feuilles à l'origine du bourrage doucement, sans les déchirer. Tout morceau de papier restant dans la machine, quelle que soit sa taille, peut obstruer le chemin papier et provoquer d'autres bourrages. Ne rechargez jamais des feuilles que vous avez retirées d'un bourrage.

### Remarque :

*Avant son passage dans l'unité de fixation, l'image n'est pas « fixée » sur le support. En retirant les feuilles d'un bourrage, veillez donc à ne pas toucher la face imprimée, car vous risquez de vous salir les mains avec du toner. Veillez aussi à ne pas répandre du toner dans la machine.*



### Attention:

- Le toner non fixé peut salir vos mains, vos vêtements ou tout ce qu'il touche. Si vous salissez accidentellement vos vêtements, il suffit d'épousseter légèrement la poudre, et de nettoyer toute trace résiduelle à l'aide d'eau froide, et non d'eau chaude. Sur la peau, le toner se nettoie à l'eau froide et avec un savon doux.*
- Si vous recevez du toner dans les yeux, rincez-vous immédiatement à l'eau froide et consultez un docteur.*

Après avoir supprimé un bourrage, si le message de bourrage reste affiché sur l'écran du panneau de commande, ouvrez et refermez les capots du moteur. Normalement, cela efface le message.

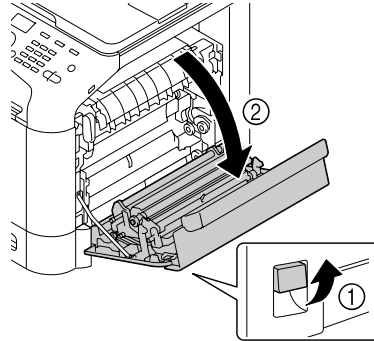
## Messages de bourrage et procédures correctives

Messages de bourrage	Page de référence
PAPER MISFEED (Erreur Alim. Papier) OPEN RIGHT DOOR (ouvrir capot droit)	« Suppression d'un bourrage dans le Bac 2 » à la page 224

Messages de bouchage	Page de référence
PAPER MISFEED (Erreur Alim. Papier) OPEN RIGHT DOOR (ouvrir capot droit)	« Suppression d'un bouchage dans le Bac 3 » à la page 227
FUSER JAM (serrage u fixation) OPEN RIGHT DOOR (ouvrir capot droit)	« Suppression d'un bouchage dans l'unité de fixation » à la page 233
TRANSFER ROLLER JAM (serrage roul. transf) OPEN RIGHT DOOR (ouvrir capot droit)	« Suppression d'un bouchage dans le Bac 3 » à la page 227
VERTICAL TRANS JAM (serrage transf vert.) OPEN RIGHT DOOR (ouvrir capot droit)	« Suppression d'un bouchage dans le Bac 2 » à la page 224
DUPLEX LOWER JAM (serrage u ro-vo inf.) OPEN RIGHT DOOR (ouvrir capot droit)	« Suppression d'un bouchage dans l'unité recto-verso » à la page 232
DUPLEX UPPER JAM (serrage u ro-vo sup.) OPEN RIGHT DOOR (ouvrir capot droit)	« Suppression d'un bouchage dans l'unité recto-verso » à la page 232
MP TRAY JAM (serrage bac manuel) OPEN RIGHT DOOR (ouvrir capot droit)	« Suppression d'un bouchage dans le Bac 1 (alimentation manuelle) et au niveau du rouleau de transfert » à la page 222
OUTPUT JAM (serrage en sortie) OPEN RIGHT DOOR (ouvrir capot droit)	« Suppression d'un bouchage dans l'unité de fixation » à la page 233
ORIGINAL DOC. JAM (Bouchage Doc. Orig.) OPEN DOC.FEED COVER (Ouvrir Capot ADF)	« Suppression d'un bouchage dans le chargeur ADF » à la page 230

## Suppression d'un bouchage dans le Bac 1 (alimentation manuelle) et au niveau du rouleau de transfert

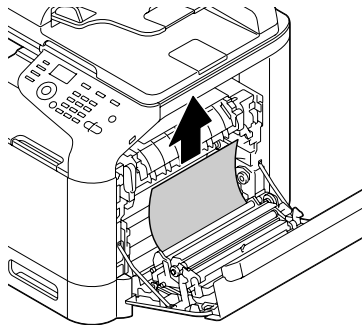
1. Soulevez le levier, puis ouvrez le capot droit.



### **Remarque :**

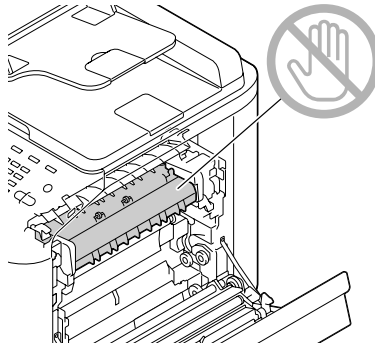
*Avant d'ouvrir le capot droit, repliez le Bac 1.*

2. Retirez doucement la feuille coincée.

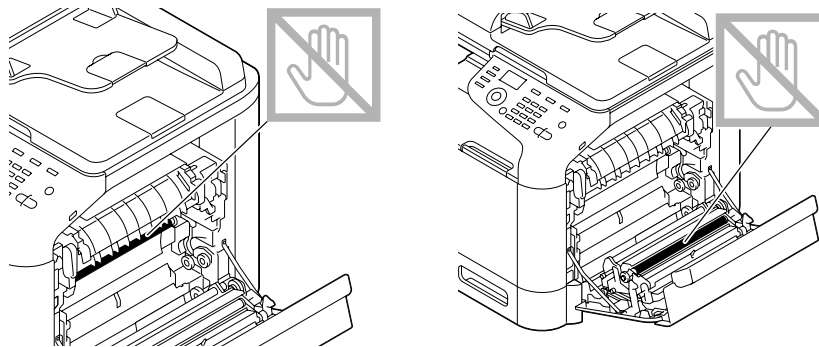


**Attention:**

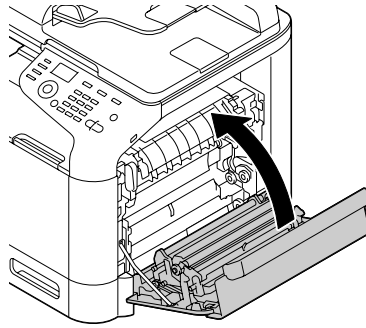
La zone autour de l'unité de fixation peut atteindre une température très élevée. Si vous touchez d'autres pièces que les leviers indiqués, vous risquez de vous brûler. Si cela se produit, aspergez immédiatement votre brûlure d'eau froide et faites-vous prodiguer des soins médicaux.

**Remarque :**

Tout contact avec la surface de la courroie de transfert ou le rouleau de transfert de l'image risque de nuire à la qualité d'impression. Veillez donc à ne pas toucher ces composants.

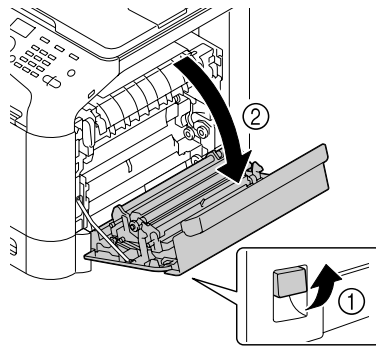


3. Fermez le capot droit.



### **Suppression d'un bouchage dans le Bac 2**

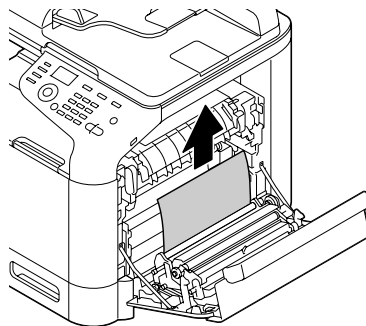
1. Soulevez le levier, puis ouvrez le capot droit.



#### **Remarque :**

*Avant d'ouvrir le capot droit, repliez le Bac 1.*

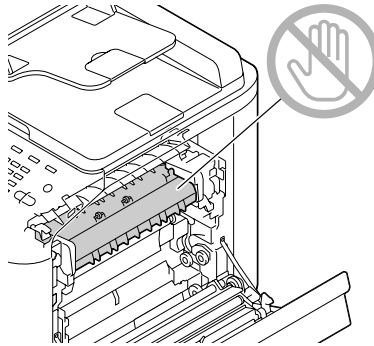
2. Retirez doucement la feuille coincée.



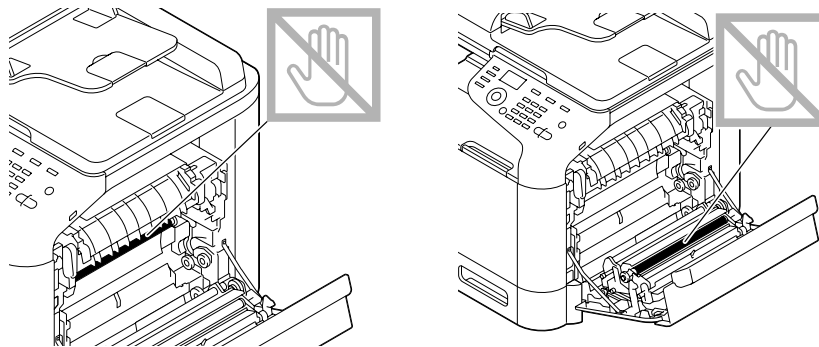


**Attention:**

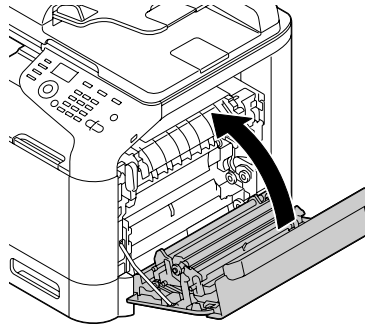
La zone autour de l'unité de fixation peut atteindre une température très élevée. Si vous touchez d'autres pièces que les leviers indiqués, vous risquez de vous brûler. Si cela se produit, aspergez immédiatement votre brûlure d'eau froide et faites-vous prodiguer des soins médicaux.

**Remarque :**

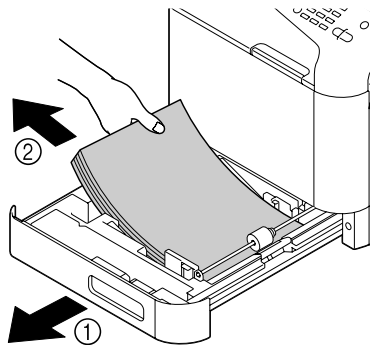
Tout contact avec la surface de la courroie de transfert ou le rouleau de transfert de l'image risque de nuire à la qualité d'impression. Veillez donc à ne pas toucher ces composants.



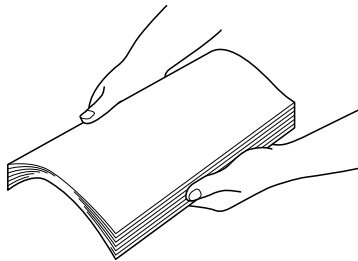
3. Fermez le capot droit.



4. Tirez le Bac 2, puis retirez tout le support chargé dans ce bac.



5. Aérez le support que vous avez retiré et égalisez les bords du paquet.



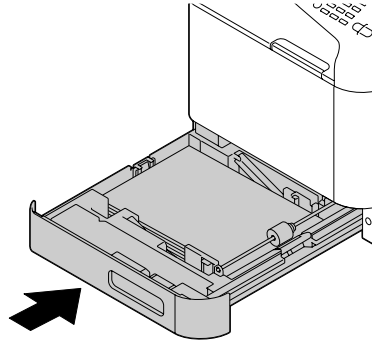
6. Chargez le support dans le Bac 2, face imprimable vers le haut.

**Remarque :**

- Assurez-vous qu'il repose bien à plat.
- Ne chargez pas des feuilles au-delà de la limite ▼.

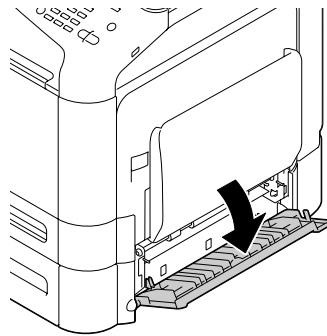
❑ *Faites glisser les guides papier contre les bords du support.*

7. Fermez le Bac 2.



### ***Suppression d'un bouchage dans le Bac 3***

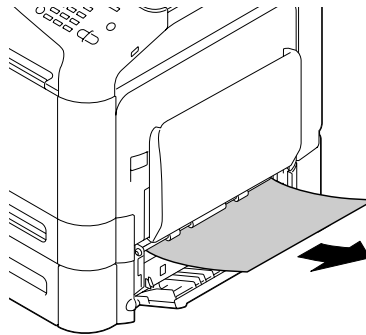
1. Ouvrez le capot latéral droit du Bac 3.



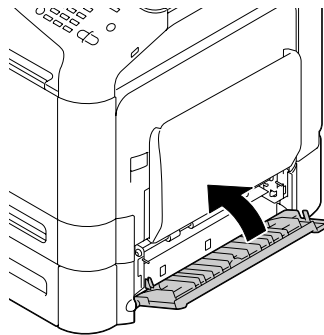
#### ***Remarque :***

*Avant d'ouvrir le capot latéral droit du Bac 3, repliez le Bac 1.*

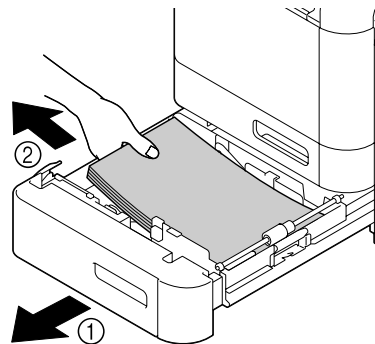
2. Retirez doucement la feuille coincée.



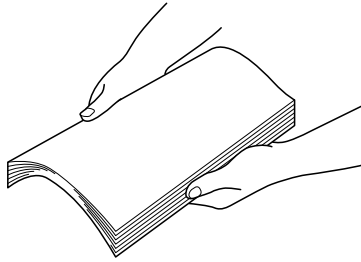
3. Fermez le capot latéral droit du Bac 3.



4. Tirez le Bac 3, puis retirez tout le papier chargé dans ce bac.



5. Aérez le papier que vous avez retiré et égalisez les bords du paquet.

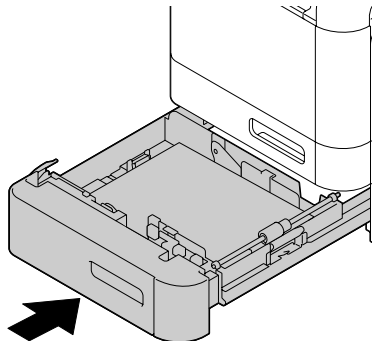


6. Chargez le papier dans le Bac 3, face imprimable vers le haut.

**Remarque :**

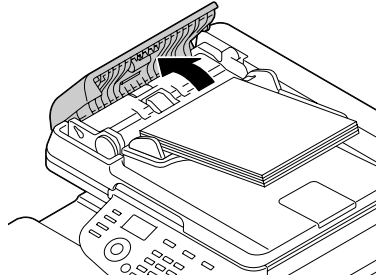
- Assurez-vous qu'il repose bien à plat.
- Ne chargez pas des feuilles au-delà de la limite ▼.
- Faites glisser les guides papier contre les bords du papier.

7. Fermez le Bac 3.

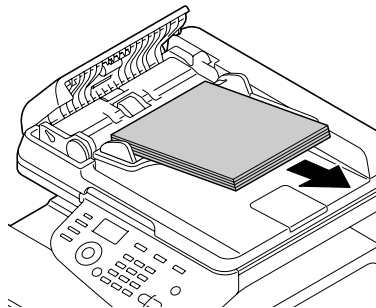


## **Suppression d'un bouchage dans le chargeur ADF**

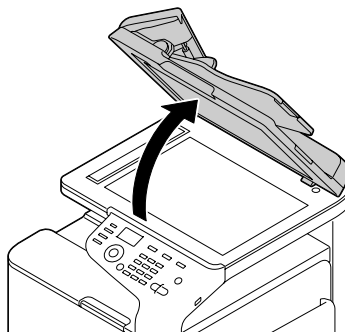
1. Ouvrez le capot du chargeur ADF.



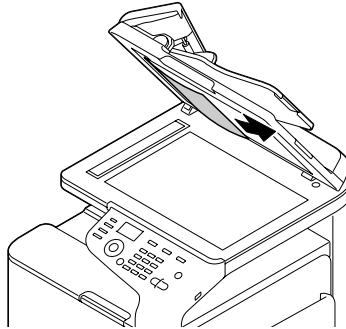
2. Retirez le document chargé sur le plateau d'introduction du chargeur ADF.



3. Soulevez le couvercle de la vitre d'exposition.



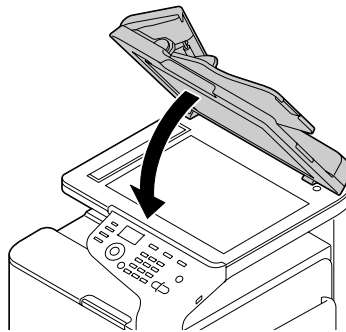
4. Retirez toute feuille coincée.



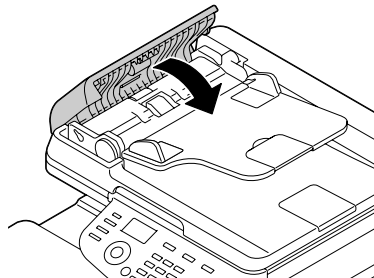
**Remarque :**

*Si le bord de la première feuille blanche dans le chargeur ADF sort, insérez-la comme avant.*

5. Fermez le capot du chargeur ADF.

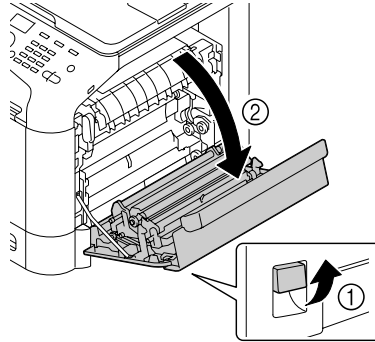


6. Fermez le capot du chargeur ADF.



### Suppression d'un bouchage dans l'unité recto-verso

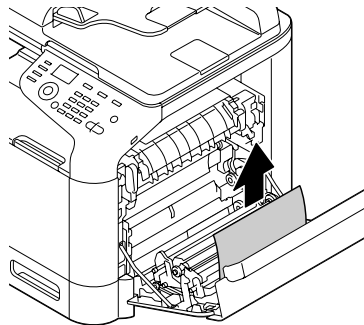
1. Soulevez le levier, puis ouvrez le capot droit.



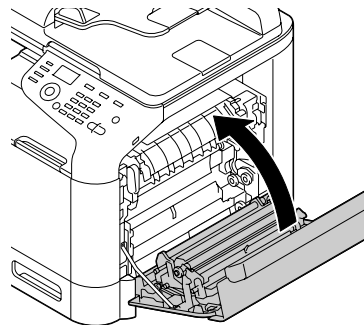
**Remarque :**

*Avant d'ouvrir le capot droit, repliez le Bac 1.*

2. Retirez doucement la feuille coincée.



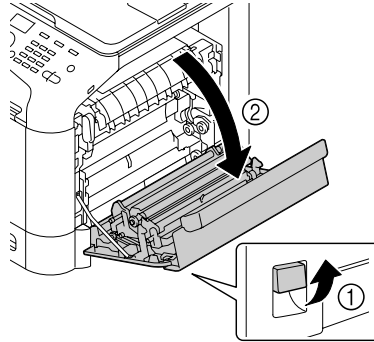
3. Fermez le capot droit.





## Suppression d'un bouchage dans l'unité de fixation

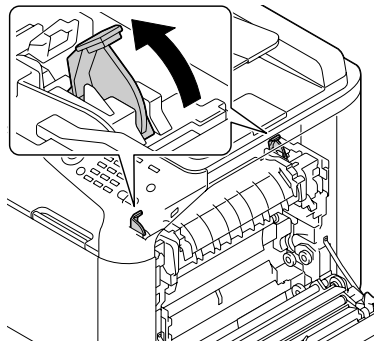
1. Soulevez le levier, puis ouvrez le capot droit.



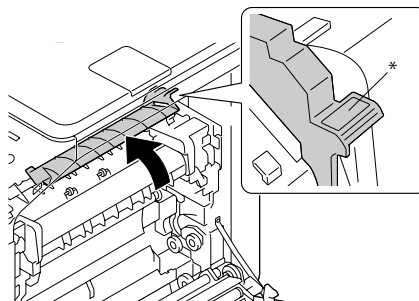
### **Remarque :**

*Avant d'ouvrir le capot droit, repliez le Bac 1.*

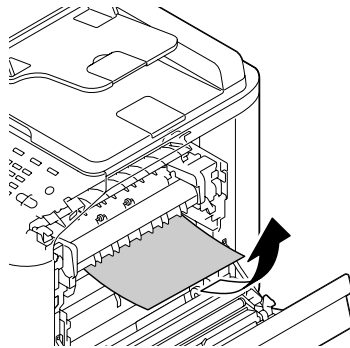
2. Soulevez les deux leviers verts.



3. En maintenant en place la partie signalée par l'autocollant vert (\*), ouvrez le capot de l'unité de fixation.

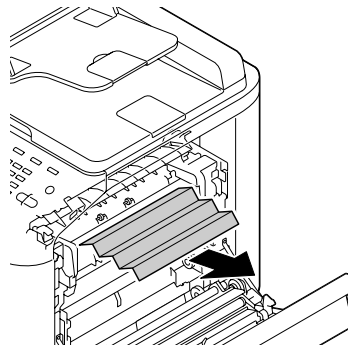
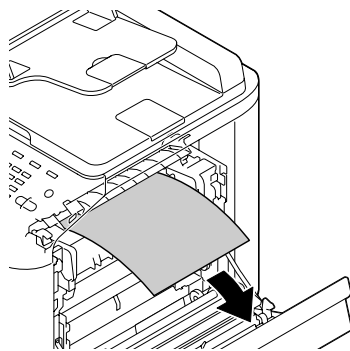


4. Retirez doucement la feuille coincée.



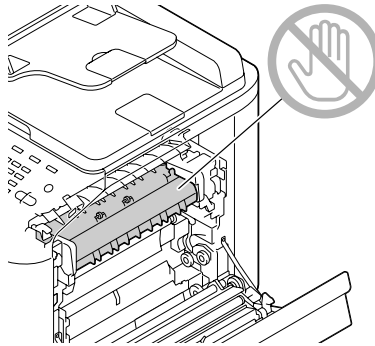
**Remarque :**

*Si vous ne pouvez pas ôter la feuille coincée en la tirant par le bas de l'unité de fixation, retirez-la par le haut.*

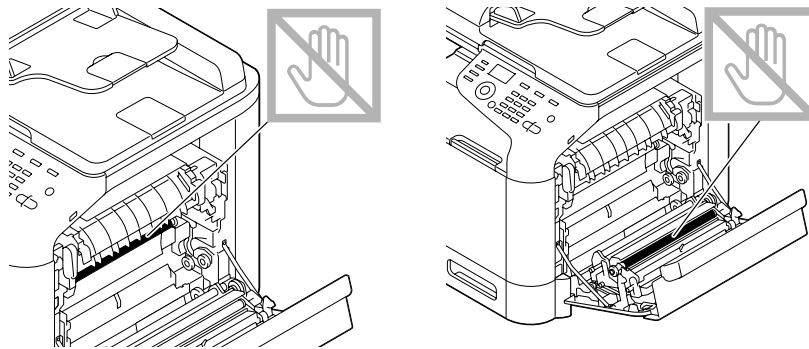


**Attention:**

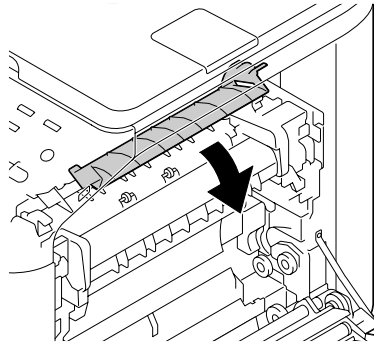
La zone autour de l'unité de fixation peut atteindre une température très élevée. Si vous touchez d'autres pièces que les leviers indiqués, vous risquez de vous brûler. Si cela se produit, aspergez immédiatement votre brûlure d'eau froide et faites-vous prodiguer des soins médicaux.

**Remarque :**

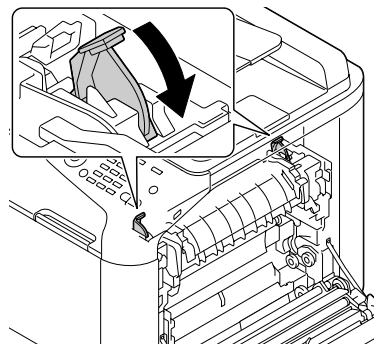
Tout contact avec la surface de la courroie de transfert ou le rouleau de transfert de l'image risque de nuire à la qualité d'impression. Veillez donc à ne pas toucher ces composants.



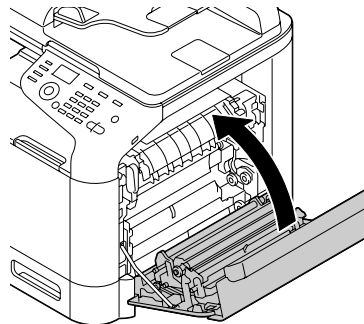
5. Fermez le capot de l'unité de fixation.



6. Abaissez les deux leviers.



7. Fermez le capot droit.



## Résolution des problèmes de bourrage papier

### Remarque :

Des bourrages fréquents dans une zone particulière signifient que cette zone nécessite d'être examinée, réparée ou nettoyée. Ils peuvent aussi se produire si vous utilisez un support non accepté ou un support original.

Symptôme	Cause	Solution
Plusieurs feuilles pénètrent en même temps dans la machine.	Les bords avant des feuilles ne sont pas alignés.	Retirez les feuilles du bac, alignez leurs bords avant et replacez-les dans le bac.
	Le support utilisé est humide.	Remplacez le support chargé dans le bac par un support sec.
Le message de bourrage reste affiché.	Le capot avant doit être ouvert et refermé pour réinitialiser la machine.	Ouvrez puis refermez le capot avant.
	Une ou plusieurs feuilles sont restées coincées dans la machine.	Vérifiez le chemin papier pour vous assurer d'avoir retiré toutes les feuilles coincées.
Bourrages dans l'unité recto-verso.	Le support utilisé n'est pas accepté (format, épaisseur, type, etc.).	Utilisez des supports homologués Epson. Voir « Spécifications » à la page 98.
		L'impression recto-verso sur papier standard, papier recyclé, papier spécial et papier épais est possible si le type de support approprié est défini dans le pilote. Voir « Spécifications » à la page 98.
		Assurez-vous que le bac ne contient pas différents types de support.
	Les enveloppes, les étiquettes, le papier en-tête, les cartes postales, le papier brillant ou le papier recto seul ne peuvent pas être imprimés en recto-verso.	
	Des feuilles peuvent être restées coincées.	Vérifiez le chemin papier dans l'unité recto-verso pour vous assurer d'avoir retiré toutes les feuilles coincées.

<b>Symptôme</b>	<b>Cause</b>	<b>Solution</b>
Des feuilles sont coincées dans le chargeur ADF.	Le document chargé n'est pas conforme aux spécifications.	Chargez le document approprié. Pour plus d'informations sur les documents pouvant être chargés, voir « Documents pouvant être introduits dans le chargeur ADF » à la page 121.
	Le document chargé dépasse la capacité maximale.	Chargez le document en veillant à ne pas dépasser la capacité maximale. Pour plus d'informations sur les documents pouvant être chargés, voir « Documents pouvant être introduits dans le chargeur ADF » à la page 121.
	Les guides latéraux n'étaient pas plaqués contre les bords du document.	Faites glisser les guides latéraux contre les bords du document. Pour plus d'informations sur le chargement du document, voir « Chargement d'un document dans le chargeur ADF » à la page 124.

Symptôme	Cause	Solution
Les feuilles se coincent dans l'imprimante.	Le support n'est pas correctement placé dans le bac.	Retirez les feuilles coincées et rechargez le support dans le bac comme il convient.
	Le bac contient des feuilles dépassant la limite de remplissage.	Retirez les feuilles excédentaires et rechargez la quantité de feuilles appropriée.
	Les guides papier ne sont pas bien ajustés au format utilisé.	Ajustez ces guides dans le Bac 1 en fonction du format utilisé.
	Le support chargé est gondolé ou froissé.	Retirez les feuilles, lissez-les et rechargez-les. Si les bourrages persistent, n'utilisez pas ce support.
	Le support utilisé est humide.	Remplacez le support chargé dans le bac par un support sec.
	Des enveloppes sont chargées dans le Bac 2 ou 3.	Les enveloppes doivent être exclusivement chargées dans le Bac 1.
	Des étiquettes, des cartes postales, du support épais, du papier en-tête ou brillant sont chargés dans le Bac 3.	Du papier spécial doit être chargé dans le Bac 1 ou 2.
	Un support de format personnalisé est chargé dans le Bac 3.	Un support de format personnalisé peut être chargé dans le Bac 1 ou 2. Voir « Supports d'impression » à la page 98.
	Les planches d'étiquettes ne sont pas tournées du bon côté dans le Bac 1.	Chargez les planches d'étiquettes conformément aux instructions du fabricant.
	Les enveloppes ne sont pas tournées du bon côté dans le Bac 1.	Chargez les enveloppes dans le Bac 1 avec les rabats tournés vers le haut.
		Si les rabats se trouvent sur le bord long des enveloppes, celles-ci doivent être chargées avec le bord du rabat orienté vers la machine et les rabats tournés vers le haut.
	Le support utilisé n'est pas accepté (format, épaisseur, type, etc.).	Utilisez des supports homologués Epson. Voir « Spécifications » à la page 98.
	Les rouleaux d'entraînement papier sont sales.	Nettoyez les rouleaux d'entraînement papier. Pour plus d'informations, voir « Rouleaux d'entraînement papier » à la page 208.

## Résolution d'autres problèmes

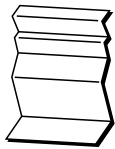
Symptôme	Cause	Solution
La machine ne s'allume pas.	Le cordon d'alimentation n'est pas branché correctement dans la prise de courant.	Eteignez la machine, vérifiez le branchement du cordon d'alimentation dans la prise de courant, et rallumez la machine.
	La prise utilisée pour la machine est défectueuse.	Branchez un autre appareil électrique dans cette prise pour vérifier son fonctionnement.
	L'interrupteur Marche/Arrêt n'est pas en position I (Marche).	Basculez l'interrupteur en position O (Arrêt), puis en position I (Marche).
	La prise utilisée pour la machine a une tension ou fréquence non conforme aux spécifications.	Utilisez une prise de courant conforme aux spécifications mentionnées en Annexe, "Spécifications techniques".
Le panneau de commande affiche le message <b>TONER LOW</b> (Toner Bas) plus tôt que prévu.	L'une des cartouches de toner peut être défectueuse.	Retirez les cartouches de toner et vérifiez leur état. Remplacez-les si nécessaire.
	Vous imprimez avec un fort taux de couverture en toner.	Voir les spécifications fournies dans l'Annexe.
Impossible d'imprimer la liste d'état de la machine.	Le bac support est vide.	Vérifiez que le Bac 1 (au moins) est chargé, bien en place et fermé.
	Il y a un bouchage.	Localisez et supprimez ce bouchage.
Lorsque vous modifiez le type ou format de papier pour le Bac 1, le message <b>Check Fax Mode</b> (Contrôle Mode FAX) apparaît. (Epson AcuLaser CX37DNF uniquement)	Vous n'avez pas pu imprimer un fax reçu en utilisant le type ou format de papier actuellement spécifié. Mais les opérations de copie et d'impression sont possibles.	Appuyez sur la touche <b>Fax</b> et consultez les détails de l'erreur. Pour imprimer un fax reçu, choisissez le type de papier <b>PLAIN PAPER (Papier standard)</b> et le format de papier <b>A4, LEGAL (Legal), LETTER (Letter)</b> ou <b>8 1/2 x 13 1/2</b> .
Impossible d'imprimer depuis un périphérique mémoire USB.	Le format de fichier (extension de fichier) n'est pas imprimable.	Seuls des fichiers au format (avec l'extension) JPEG, TIFF, XPS ou PDF peuvent être imprimés.
	La fonction <b>MEMORY DIRECT</b> (Mémoire Directe) de la machine a la valeur <b>DISABLE (Désactiv.)</b> .	Activez l'option de menu <b>UTILITY (Utilitaire)/ADMIN. MANAGEMENT (Gestion admin.)/MEMORY DIRECT (Mémoire Directe) (ENABLE (Activer))</b> .
	Un utilisateur public n'est pas spécifié pour l'authentification utilisateur.	Contactez l'administrateur de cette unité.



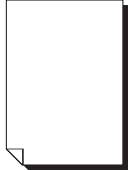
Symptôme	Cause	Solution
L'impression est trop lente.	La machine est configurée pour imprimer en mode lent (par exemple sur un support épais).	L'impression sur support spécial est plus lente. Si vous utilisez du papier standard, assurez-vous que le type de support approprié est défini dans le pilote.
	La machine est en mode Economie énergie.	Le démarrage de l'impression est plus long en mode Economie énergie.
	Le travail d'impression est très complexe.	Veillez patienter. Aucune action n'est requise.
	La mémoire de la machine est insuffisante.	Installez le module de mémoire en option pour augmenter la mémoire de la machine.
	Une cartouche de toner destinée à une autre région ou non authentique est installée (NON-GENUINE TONER <TONER NON-ORIGINAL> s'affiche sur l'écran des messages).	Installez une cartouche de toner Epson homologuée et appropriée pour votre type de machine.
	Si une erreur a été détectée durant l'exécution d'un travail d'impression en mode Copie, la correction de l'erreur et la reprise du travail peuvent prendre un certain temps.	Veillez patienter. Aucune action n'est requise.
Des pages vierges sont imprimées.	Une ou plusieurs cartouches de toner sont vides ou défectueuses.	Vérifiez les cartouches de toner. Si les cartouches sont vides, l'image ne s'imprime pas correctement, voire pas du tout.
	Le support utilisé ne convient pas.	Vérifiez le type de support.
Les pages ne s'impriment pas toutes.	Le travail a été accidentellement annulé par un autre utilisateur.	Essayez d'imprimer les pages restantes.
	Le bac support est vide.	Vérifiez que le bac est chargé, bien en place et fermé.
	Vous imprimez avec un fichier calque créé par un pilote d'imprimante qui ne convient pas.	Imprimez le fichier calque à l'aide d'un pilote d'imprimante approprié.
Des parties d'image manquent en copie 2en1 (4en1).	Si vous imprimez des enveloppes, le zoom a été automatiquement réglé avant la copie 2en1 (4en1).	En copie 2en1 (4en1), le taux de zoom est automatiquement réglé. Pour la copie 2en1 (4en1) sur des supports de surface imprimable réduite, tels que des enveloppes, définissez la copie 2en1 (4en1) et ajustez le taux de zoom, si nécessaire.




Symptôme	Cause	Solution
La machine se ré-initialise ou s'éteint souvent.	Le cordon d'alimentation n'est pas branché correctement dans la prise de courant.	Eteignez la machine, vérifiez le branchement du cordon d'alimentation dans la prise de courant, et rallumez la machine.
	Une erreur système est survenue.	Envoyez l'erreur au support technique.
L'impression recto-verso pose des problèmes.	Le support utilisé ou les paramètres définis ne conviennent pas.	Assurez-vous d'imprimer sur le support approprié. <ul style="list-style-type: none"> <li><input type="checkbox"/> Voir « Spécifications » à la page 98.</li> <li><input type="checkbox"/> N'utilisez pas la fonction recto-verso pour imprimer sur un support de format personnalisé, des enveloppes, des étiquettes, des cartes, du papier à en-tête, un support brillant ou du papier recto seul.</li> <li><input type="checkbox"/> Assurez-vous que le bac ne contient pas différents types de support.</li> </ul>
		Dans le pilote de l'imprimante Windows (Layout (Mise en page)/Print Type (Type d'impression)), sélectionnez Double-Sided (Recto/verso).
		Sélectionnez la copie recto-verso. Pour plus d'informations sur la sélection de la copie recto-verso, voir « Définition de la copie recto-verso » à la page 145.
		Pour une impression N-up sur pages recto-verso, activez uniquement la fonction <b>Collate (Tri)</b> sous l'onglet Basic (Standard) du pilote de l'imprimante Windows. N'activez pas cette fonction dans l'application.
Le transfert des données numériques vers le périphérique mémoire USB est très long.	Le temps de réponse peut être lent suivant le type de périphérique mémoire USB utilisé.	Veillez patienter jusqu'à ce que le transfert se termine.
Impossible de passer en mode Numérisation ou Fax (Epson AcuLaser CX37DNF uniquement).	Une erreur est survenue en mode Copie.	Corrigez cette erreur avant de sélectionner un autre mode.
L'impression N-up en copies multiples ne se fait pas correctement.	La fonction de tri est activée à la fois dans le pilote de l'imprimante et dans l'application.	Pour une impression N-up de copies multiples, activez uniquement la fonction <b>Collate (Tri)</b> sous l'onglet Basic (Standard) du pilote de l'imprimante. N'activez pas cette fonction dans l'application.




Symptôme	Cause	Solution
La fonction Livret Reliure gauche ou droite ne s'exécute pas correctement.	La fonction de tri est activée à la fois dans le pilote de l'imprimante et dans l'application.	Pour imprimer un Booklet (Livret) (Left Binding (Reliure à gauche) et Right Binding (Reliure à droite)), activez uniquement la fonction <b>Collate (Tri)</b> sous l'onglet Basic (Standard) du pilote de l'imprimante. N'activez pas cette fonction dans l'application.
Des bruits inhabituels se font entendre.	La machine n'est pas de niveau.	Placez la machine sur une surface dure et plane.
	Le bac n'est pas correctement installé.	Retirez le bac support à partir duquel vous imprimez et introduisez-le complètement dans la machine.
	Un objet quelconque est coincé dans la machine.	Eteignez la machine et retirez l'objet. Si vous n'y parvenez pas, contactez le support technique.
En mode Copie ou Numérisation via le chargeur ADF, une bande horizontale ou verticale apparaît à l'extrémité antérieure ou postérieure de l'image ou du papier (5 à 6 mm).	Un dysfonctionnement est survenu pendant le transfert du papier dans le chargeur ADF.	Si une bande apparaît sur le document après une opération de copie, sélectionnez une densité de copie d'un degré plus foncée.  Si une bande apparaît sur l'image après une opération de numérisation, numérisez votre document via la vitre d'exposition.
Les images numérisées sont brouillées.	Vous avez défini une résolution de <b>150x150dpi</b> avec le mode de numérisation <b>MIX (Mix)</b> ou <b>TEXT (Texte)</b> .	Sélectionnez le mode de numérisation <b>PHOTO (Photo)</b> .
Certaines zones n'apparaissent pas dans l'image numérisée.	Vous utilisez Acrobat 8 (Macintosh) pour numériser l'image.	Dans les paramètres Acrobat Scan, désactivez les fonctions de reconnaissance optique de caractères (OCR) et de filtrage.
Impossible d'accéder à l'utilitaire Web. (Epson AcuLaser CX37DNF uniquement)	Le mot de passe Administrateur pour Web-Based EpsonNet Config est incorrect.	Le mot de passe Administrateur pour Web-Based EpsonNet Config doit comporter entre 0 caractères minimum et 16 caractères maximum. Pour plus d'informations sur le mot de passe Administrateur pour Web-Based EpsonNet Config, voir le Reference Guide (Guide de Référence).


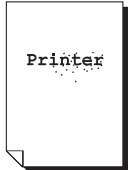

Symptôme	Cause	Solution
L'imprimé est froissé. 	Le support est humide ou a été mouillé.	Remplacez le support chargé dans le bac par un support sec.
	Une défectuosité existe au niveau des rouleaux d'entraînement papier ou de l'unité de fixation.	Vérifiez l'état de ces pièces. Si nécessaire, envoyez l'erreur au support technique.
	Le support utilisé n'est pas accepté (format, épaisseur, type, etc.).	Utilisez des supports homologués Epson. Voir « Spécifications » à la page 98.
Des données ont été envoyées à la machine, mais rien ne s'imprime.	Un message d'erreur est affiché sur l'écran des messages.	Effectuez l'action corrective en fonction du message affiché.
	Le travail peut être annulé si des paramètres d'authentification utilisateur sont définis.	Cliquez sur le bouton Authentification Utilisateur dans le pilote de l'imprimante, puis tapez les informations requises avant d'imprimer.
Le disque dur a été automatiquement formaté.	Le disque dur était plein.	Supprimez les travaux d'impression et des ressources (polices, formulaires, etc.) qui ont été enregistrés sur le disque dur via Web-Based EpsonNet Config.

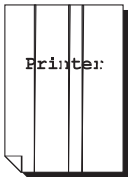

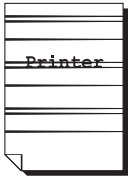
## Résolution des problèmes de qualité

Symptôme	Cause	Solution
Rien ne s'imprime ou des points blancs apparaissent sur la page imprimée. 	Une ou plusieurs cartouches de toner peuvent être défectueuses.	Retirez les cartouches de toner et vérifiez leur état.
	Le support utilisé est humide.	Vérifiez l'humidité ambiante dans le local de stockage des supports. Remplacez le support chargé dans le bac par un support sec.
	Le support défini dans le pilote de l'imprimante ne correspond pas à celui qui est chargé dans le bac de la machine.	Chargez le support approprié dans le bac de la machine.
	Plusieurs feuilles pénètrent en même temps dans l'imprimante.	Retirez les feuilles du bac et vérifiez si elles adhèrent les unes aux autres. Aérez les feuilles de papier standard ou autre, et replacez-les dans le bac.
	Un ou plusieurs blocs photoconducteurs sont peut-être défectueux.	Retirez les blocs photoconducteurs et vérifiez leur état. Remplacez-les si nécessaire.


Symptôme	Cause	Solution
Toute la page s'imprime en noir ou dans une autre couleur. 	Une ou plusieurs cartouches de toner peuvent être défectueuses.	Retirez les cartouches de toner et vérifiez leur état. Remplacez-les si nécessaire.
	Un ou plusieurs blocs photoconducteurs sont peut-être défectueux.	Retirez les blocs photoconducteurs et vérifiez leur état. Remplacez-les si nécessaire.
L'image est trop pâle ; sa densité est faible. 	La lentille laser est sale.	Nettoyez la lentille laser.
	La densité de copie définie est trop claire.	Sélectionnez une densité de copie plus foncée.
	Le support utilisé est humide.	Remplacez le support chargé dans le bac par un support sec.
	L'une des cartouches de toner est presque vide.	Remplacez la cartouche de toner.
	Une ou plusieurs cartouches de toner peuvent être défectueuses.	Retirez les cartouches de toner et vérifiez leur état. Remplacez-les si nécessaire.
	Le type de support n'est pas bien défini.	Quand vous imprimez sur des enveloppes, des étiquettes, du papier en-tête, des cartes postales, du support épais, du papier brillant, du papier recto seul ou du papier spécial, sélectionnez le type de support approprié dans le pilote de l'imprimante.
L'image est trop foncée. 	La densité de copie définie est trop foncée.	Sélectionnez une densité de copie plus claire.
	Le document n'a pas été suffisamment plaqué contre la vitre d'exposition.	Placez l'original de sorte qu'il soit bien plaqué contre la vitre d'exposition. Pour plus d'informations sur le placement d'un document sur la vitre d'exposition, voir « Placement d'un document sur la vitre d'exposition » à la page 122.
	Une ou plusieurs cartouches de toner peuvent être défectueuses.	Retirez les cartouches de toner et vérifiez leur état. Remplacez-les si nécessaire.
	Un ou plusieurs blocs photoconducteurs sont peut-être défectueux.	Retirez les blocs photoconducteurs et vérifiez leur état. Remplacez-les si nécessaire.

Symptôme	Cause	Solution
L'image est floue ; le fond est légèrement maculé ; l'image imprimée manque de brillant. 	Une ou plusieurs cartouches de toner peuvent être défectueuses.	Retirez les cartouches de toner et vérifiez leur état. Remplacez-les si nécessaire.
	Un ou plusieurs blocs photoconducteurs sont peut-être défectueux.	Retirez les blocs photoconducteurs et vérifiez leur état. Remplacez-les si nécessaire.
	La vitre d'exposition est sale.	Nettoyez la vitre d'exposition. Pour plus d'informations, voir « Nettoyage de la machine » à la page 207.
	Le tapis du couvercle de la vitre d'exposition est sale.	Nettoyez le tapis du couvercle de la vitre d'exposition. Pour plus d'informations, voir « Nettoyage de la machine » à la page 207.
L'impression ou la densité couleur n'est pas homogène. 	Une ou plusieurs cartouches de toner sont défectueuses ou presque vides.	Retirez les cartouches de toner et vérifiez leur état. Remplacez-les si nécessaire.
	Un ou plusieurs blocs photoconducteurs sont défectueux.	Retirez les blocs photoconducteurs et vérifiez leur état. Remplacez-les si nécessaire.
	La machine n'est pas de niveau.	Placez la machine sur une surface dure et plane.
L'impression n'est pas régulière ou l'image est mouchetée. 	Le support utilisé est humide.	Vérifiez l'humidité ambiante dans le local de stockage des supports. Remplacez le support chargé dans le bac par un support sec.
	Le support utilisé n'est pas accepté (format, épaisseur, type, etc.).	Utilisez des supports homologués Epson. Voir « Spécifications » à la page 98.
	Une ou plusieurs cartouches de toner peuvent être défectueuses.	Retirez les cartouches de toner et vérifiez leur état. Remplacez-les si nécessaire.
	Un ou plusieurs blocs photoconducteurs sont défectueux.	Retirez les blocs photoconducteurs et vérifiez leur état. Remplacez-le si nécessaire.

Symptôme	Cause	Solution
L'image n'est pas assez fixée ou se gomme facilement. 	Le support utilisé est humide.	Remplacez le support chargé dans le bac par un support sec.
	Le support utilisé n'est pas accepté (format, épaisseur, type, etc.).	Utilisez des supports homologués Epson. Voir « Spécifications » à la page 98.
	Le type de support n'est pas bien défini.	Quand vous imprimez sur des enveloppes, des étiquettes, du papier en-tête, des cartes postales, du support épais, du papier recto seul ou du papier spécial, sélectionnez le type de support approprié dans le pilote de l'imprimante.
Il y a des traces de toner ou des images parasites sur l'imprimé. 	Une ou plusieurs cartouches de toner sont défectueuses ou mal installées.	Retirez les cartouches de toner et vérifiez leur état. Remplacez-les si nécessaire.
Il y a des traces de toner sur le verso de la page (qu'il soit ou non imprimé en recto-verso). 	Il y a du toner dans le chemin papier.	Imprimez plusieurs pages vierges à la suite pour enlever le toner.
	Une ou plusieurs cartouches de toner sont défectueuses.	Retirez les cartouches de toner et vérifiez leur état. Remplacez-les si nécessaire.
	Un ou plusieurs blocs photoconducteurs sont défectueux.	Retirez les blocs photoconducteurs et vérifiez leur état. Remplacez-les si nécessaire.
	Le rouleau de transfert est sale.	Nettoyez le rouleau de transfert. Contactez votre revendeur ou un centre de service autorisé.

Symptôme	Cause	Solution
Des motifs anormaux (blancs, noirs ou en couleur) se répètent à intervalles réguliers. 	La lentille laser est sale.	Nettoyez la lentille laser.
	Une cartouche de toner peut être défectueuse.	Retirez la cartouche de toner de la couleur produisant le motif anormal. Remplacez-la par une cartouche de toner neuve.
	Un ou plusieurs blocs photoconducteurs sont défectueux.	Retirez les blocs photoconducteurs et vérifiez leur état. Remplacez-les si nécessaire.
	La vitre d'exposition est sale.	Nettoyez la vitre d'exposition. Pour plus d'informations, voir « Nettoyage de la machine » à la page 207. Si le problème persiste, numérisez à partir de la vitre d'exposition.
L'image présente des défauts. 	La lentille laser est sale.	Nettoyez la lentille laser.
	Une cartouche de toner fuit.	Retirez les cartouches de toner et vérifiez leur état. Remplacez-les si nécessaire.
	Une cartouche de toner peut être défectueuse.	Retirez la cartouche de toner de la couleur produisant le motif anormal. Remplacez-la par une cartouche de toner neuve.
	Un ou plusieurs blocs photoconducteurs sont peut-être défectueux.	Retirez les blocs photoconducteurs et vérifiez leur état. Remplacez-les si nécessaire.
Des lignes ou bandes latérales apparaissent sur l'image. 	La machine n'est pas de niveau.	Placez la machine sur une surface dure et plane.
	Il y a du toner dans le chemin papier.	Imprimez plusieurs pages à la suite pour enlever le toner.
	Une ou plusieurs cartouches de toner peuvent être défectueuses.	Retirez les cartouches de toner et vérifiez leur état. Remplacez-les si nécessaire.
	Un ou plusieurs blocs photoconducteurs sont défectueux.	Retirez les blocs photoconducteurs et vérifiez leur état. Remplacez-les si nécessaire.
Les couleurs ne sont absolument pas conformes.	Une ou plusieurs cartouches de toner peuvent être défectueuses.	Retirez les cartouches de toner et vérifiez que le toner est également réparti sur chaque rouleau de cartouche, puis réinstallez les cartouches de toner.



Symptôme	Cause	Solution
La mise en registre ne se fait pas correctement. Les couleurs se mélangent et varient d'une page à l'autre.	Les dégradés ne sont pas correctement ajustés.	Attribuez au paramètre MACHINE SETTING (Param. Machine)/CALIBRATION (Calibrage) dans le menu UTILITY (Utilitaire) la valeur <b>ON (On)</b> , puis lancez un cycle de calibrage couleur. Pour plus d'informations, voir « Menu MACHINE SETTING (Param. Machine) » à la page 52.
	Le capot avant a été ouvert durant le cycle de calibrage.	
	Le support utilisé est humide.	Remplacez le support chargé dans le bac par un support sec.
	Une ou plusieurs cartouches de toner peuvent être défectueuses.	Retirez les cartouches de toner et vérifiez leur état. Remplacez-les si nécessaire.
La couleur produite est médiocre ou très faible en densité. 	Un ou plusieurs blocs photoconducteurs sont peut-être défectueux.	Retirez les blocs photoconducteurs et vérifiez leur état. Remplacez-les si nécessaire.

Si le problème persiste après avoir effectué toutes les étapes ci-dessus, contactez le support technique en fournissant des informations sur l'erreur.

## ***Messages d'état, d'erreur et de service***

Les messages d'état, d'erreur et de service s'affichent à l'écran des messages. Ils vous donnent des indications sur l'état de fonctionnement de la machine et vous aident à identifier certains problèmes. Ils s'effacent dès que la condition ayant provoqué leur affichage est corrigée.

## Messages d'état

Message	Signification	Action
ACCEPTED (Accepté)	Les paramètres ont été appliqués.	Aucune action n'est requise.
DATA RECEIVING (Réception données)	La machine reçoit des données.	
SLEEP MODE (Mode veille)	La machine est en mode Economie énergie pour réduire la consommation électrique durant ses périodes d'inactivité.	
(aucun message affiché)		
NONE (Aucun)	L'objet n'existe pas.	
PC SCAN CANCEL (Annuler Scan PC)	Le travail de numérisation a été annulé à partir du pilote.	
PLEASE WAIT! (Attendre SUP)	<p>Le calibrage couleur AIDC est en cours. Le calibrage couleur AIDC s'effectue automatiquement dans les conditions suivantes :</p> <ul style="list-style-type: none"> <li><input type="checkbox"/> Quand la machine est mise sous tension</li> <li><input type="checkbox"/> Quand la machine sort du mode Economie énergie (veille)</li> <li><input type="checkbox"/> Quand la machine redémarre après des modifications de paramètres</li> <li><input type="checkbox"/> Après le remplacement d'une cartouche de toner</li> </ul> <p>Ce processus assure une qualité d'impression optimale.</p>	
PRINT WAITING (attente impression)	La machine est en attente d'impression.	
PRINTING (Impression)	La machine imprime.	
SEARCHING (Recherche en cours)	La machine recherche des données.	
SCANNING (Mode Sca)	La machine numérise un document.	
Warmup Up (Préchauf.)	La machine est en cours de préchauffage.	

## Messages d'erreur

### Remarque :

Pour plus d'informations sur les messages d'erreur en mode Fax, voir le *Facsimile User's Guide (Guide d'utilisation Télécopieur)*. (Epson AcuLaser CX37DNF uniquement)

Message	Signification	Action
ADDRESS IS TOO LONG (adresse trop longue)	L'adresse e-mail trouvée sur le serveur LDAP comporte plus de 64 caractères.	Cette machine peut gérer des adresses sur 64 octets maximum. Utilisez une adresse plus courte.
CANNOT CONNECT (Connexion Nulle) xxx Server (Serveur xxx)	La connexion avec le serveur spécifié ne peut pas être établie.	Vérifiez les paramètres définis dans les menus NETWORK SETTING (Param. Réseau), puis essayez de vous reconnecter.
CANNOT GET IP (Impossible d'obtenir IP) xxx Server (Serveur xxx)	L'adresse IP du serveur spécifié ne peut pas être obtenue du serveur DNS.	Vérifiez les paramètres définis dans les menus NETWORK SETTING (Param. Réseau), puis essayez de renvoyer les données.
Check Print Mode= (Contrôle Mode Imp=) ◀	Une erreur au niveau de l'imprimante est survenue en cours d'impression.	Appuyez sur la touche ◀ pour examiner l'erreur et agissez en conséquence.
COMMUNICATION ERROR (erreur communication) USB Memory (Mémoire USB)	Lors de l'envoi des données en mode Numérisation, la connexion avec le périphérique mémoire USB a été interrompue.	Vérifiez la connexion avec le périphérique mémoire USB et essayez de renvoyer les données.
COMMUNICATION ERROR (erreur communication) xxx Server (Serveur xxx)	Lors de l'envoi des données en mode Numérisation, la connexion avec le serveur a été interrompue.	Vérifiez les paramètres définis dans les menus NETWORK SETTING (Param. Réseau), puis essayez de renvoyer les données.
DESTINATION SET (Destination Réglée) BY MANUAL UP TO 16 (Manuellement Jusqu'à 16)	La recherche LDAP a renvoyé plus de 16 adresses.	Saisissez plus de caractères, puis relancez la recherche.
DISCONNECT (Déconnecter) USB Memory (Mémoire USB)	La connexion avec le périphérique mémoire USB a été interrompue.	Vérifiez la connexion avec le périphérique mémoire USB et essayez de renvoyer les données.
DISCONNECT (Déconnecter) xxx Server (Serveur xxx)	La connexion avec le serveur a été interrompue.	Vérifiez les paramètres définis dans les menus NETWORK SETTING (Param. Réseau), puis essayez de vous reconnecter.

Message	Signification	Action
Fuser Unit Life (Vie U-Fixation)	Le moment de remplacer l'unité de fixation est arrivé.	Remplacez l'unité de fixation.
INCORRECT PAPER SIZE (format papier incor.)	Le format du papier dans le bac est incorrect.	Suivez les instructions du message et remplacez le papier.
JOB CANCELED (Travail Annulé)	Durant la numérisation d'un document via la vitre d'exposition, un délai de plus d'une minute s'est écoulé après la numérisation de la première page ou après un envoi échoué. Le travail de numérisation a donc été automatiquement annulé.	Eteignez la machine, puis rallumez-la après quelques secondes. Quand vous numérisez plusieurs pages, par exemple d'un livre, le délai entre la numérisation de chaque page ne doit pas dépasser une minute.
MEMORY FILE FULL (Fichier Plein)	Le nombre maximum de 1 024 fichiers de données d'image a été atteint.	Eteignez la machine, puis rallumez-la après quelques secondes. Diminuez la taille des données à imprimer (par exemple en choisissant une résolution inférieure), puis essayez de réimprimer.
MEMORY FULL (Mémoire Pleine)	La machine a reçu plus de données à traiter que sa mémoire interne ne le permet.	Eteignez la machine, puis rallumez-la après quelques secondes. Diminuez la taille des données à imprimer (par exemple en choisissant une résolution inférieure), puis essayez de réimprimer.
NO DUPLEX PAPER (Pas De Papier Ro-vo) CLOSE DUPLEX FUNC. (quitter mode ro-vo) OR CHANGE PAPER SIZE (ou changer format)	L'impression recto-verso est activée, mais un format de support incompatible avec cette fonction est sélectionné.	Activez la fonction d'impression normale (recto) ou sélectionnez un format de papier compatible avec l'impression recto-verso.
NO NETWORK SETTING (Sans Param. Réseau)	Les paramètres réseau étaient incomplets quand le mode Numérisation a été sélectionné.	Avant de passer en mode Numérisation, définissez tous les paramètres de votre réseau dans les menus NETWORK SETTING (Param. Réseau) et E-MAIL SETTING (Param. Email).
NO SUITABLE PAPER (Papier Inadapté) LOAD PAPER (xxx) (Charger (xxx))	Le support approprié pour l'impression ne se trouve dans aucun bac.	Chargez le support voulu pour imprimer votre document dans l'un des bacs papier.
NON GENUINE TONER (TONER NON ORIGINAL) CHANGE x TONER (Changer Toner x)	La cartouche de toner installée n'est pas un produit Epson authentique.	Il est recommandé d'installer une cartouche de toner authentique.

Message	Signification	Action
NON SUPPORT PAPER (Pap non supporté) CLOSE MANUAL DUPLEX (Fermer r/v manuel) OR CHANGE PAPER SIZE (ou changer format)	Le papier est incompatible avec l'impression recto-verso.	Activez la fonction d'impression normale (recto) ou vérifiez que le format du papier est compatible avec l'impression recto-verso.
NOT E-MAIL ADDRESS (Non Envoyé Email)	Quand la destination des données numérisées a été spécifiée, un numéro de fax enregistré dans la liste du carnet d'adresses ou en tant que destination en numérotation abrégée ou groupée a été sélectionné.	Tapez directement l'adresse de destination des données numérisées ou spécifiez une adresse e-mail enregistrée dans la liste du carnet d'adresses ou en tant que destination en numérotation abrégée ou groupée.
NOT INSTALLED P/U (U/P non installée) CHECK x (Vérifier x)	Le bloc photoconducteur indiqué n'est pas installé.	Installez le bloc photoconducteur indiqué.
NOT INSTALLED TONER (Manque Toner) CHECK x (Vérifier x)	La cartouche de toner indiquée n'est pas installée.	Installez la cartouche de toner indiquée.
NOT REGISTERED (Non Enregistré)	Aucune destination en numérotation abrégée ou groupée n'est enregistrée.	Tapez directement l'adresse de destination pour les données de la numérotation ou enregistrez une destination en numérotation abrégée ou groupée, puis réessayez de spécifier l'adresse de destination.
OUTPUT TRAY FULL (Bac sortie Plein) REMOVE PAPER (OTER FEUILLES)	Le bac de sortie est plein.	Videz complètement le bac de sortie.
OVER SEARCH TIME (Tps Rech.dépasse)	Le délai de communication avec le serveur LDAP a expiré.	Rétablissez la connexion avec le serveur LDAP.
P/U END (U/P épuisée CMJN) REPLACE x (Remplacer toner x)	Le moment de remplacer le bloc photoconducteur indiqué est arrivé.	Remplacez le bloc photoconducteur indiqué.
P/U End x (U/P épuisée x)	Le moment de remplacer le bloc photoconducteur indiqué est arrivé.	Remplacez le bloc photoconducteur indiqué.
P/U Life (x) (Vie U/P x)	Le moment de remplacer le bloc photoconducteur indiqué est arrivé.	Remplacez le bloc photoconducteur indiqué.

Message	Signification	Action
P/U Low x (U/P niv. bas x)	Le bloc photoconducteur est presque vide et devrait être remplacé dans moins de 200 pages à 5 % de couverture d'un papier Letter/A4.	Préparez le bloc photoconducteur indiqué.
PAGE NO. NOT MATCH (N° Page non conforme) (PRESS ANY KEY) ((Presser Une Touche))	Les rectos et versos des pages en mode 2-SIDE (recto-verso) ➔ 2-SIDE (recto-verso) ou 2-SIDE (recto-verso) ➔ 1-SIDE (recto) ne correspondent pas.	Appuyez sur une touche pour annuler le travail.
PAPER EMPTY (Papier Vide) LOAD PAPER (xxx) (Charger (xxx))	Le bac indiqué est vide.	Chargez du support dans le bac indiqué.
PAPER SIZE ERROR (Err Format Papier) RESET PAPER (xxx) (Remplacer Pap (xxx))	Le format de papier sélectionné ne se trouve dans aucun bac.	Chargez le format de papier sélectionné dans un bac.
PC CONNECTION FAILED (Connex. PC Manquée)	Lors de l'envoi des données en mode Numérisation, la connexion avec l'ordinateur a été interrompue.	Vérifiez la connexion avec l'ordinateur et l'état du pilote du scanner, puis essayez de renvoyer les données.
REMOVE ORIGINAL (Oter Origin.) IN ADF (ADF)	Le document est placé dans le chargeur ADF alors qu'il doit être numérisé via la vitre d'exposition.	Placez le document sur la vitre d'exposition.
REPLACE TONER (REEMPLACER TONER) CHANGE x TONER (Changer Toner x)	La cartouche de toner indiquée est vide.	Remplacez la cartouche de toner indiquée.
RESULTS ARE OVER xxx (resultats sup. a xxx)	Les résultats de la recherche LDAP excèdent la valeur maximale spécifiée avec l'option MAX. SEARCH RESULTS (Max. Résultat.Recher.) dans le menu LDAP SETTING (Param. LDAP).	Modifiez cette valeur maximale ou modifiez les conditions de recherche (par exemple en allongeant le mot-clé), et essayez de faire une nouvelle recherche LDAP.
SERVER MEMORY FULL (Mém Serveur Pleine) SMTP Server (Serveur SMTP)	La mémoire du serveur SMTP est saturée.	Libérez de l'espace sur le disque (si besoin est, contactez votre administrateur serveur).
THE PARTY IS FULL (Partie Est Pleine)	Le nombre maximal de 236 destinations pour les données numérisées a été atteint.	Envoyez les données, puis relancez la numérisation. Ou supprimez les destinations inutiles avant d'ajouter les destinations désirées.

Message	Signification	Action
Toner Low x (Toner Bas x)	La cartouche de toner indiquée est presque vide.	Préparez la cartouche de toner indiquée.
Trans. Belt Life (Vie C. Transfert)	Le moment de remplacer l'unité de courroie de transfert est arrivé.	Contactez votre revendeur ou un centre de service autorisé.
Trans. Roll. Life (Vie R. Transfert)	Le moment de remplacer le rouleau de transfert est arrivé.	Contactez votre revendeur ou un centre de service autorisé.
TRAYx OPEN (Bac x ouvert) CLOSE TRAYx (Fermer Bac x)	Le bac indiqué est ouvert.	Fermez le bac indiqué.
USB Dev. Not support (USB Non supporté)	Un périphérique USB incompatible avec cette machine est connecté.	Déconnectez le périphérique USB de la machine.
USB Hub Not support (Clé USB Non support)	Un hub USB est connecté à la machine.	La machine ne prend pas en charge les hubs USB. Lorsque vous connectez des câbles USB sur cette machine, n'utilisez pas de hub USB.
USB MEMORY FULL (Mémoire USB Pleine)	L'espace disponible sur le périphérique mémoire USB connecté à la machine est insuffisant.	Libérez de l'espace sur ce périphérique en supprimant des données ou remplacez-le.
Waste Near Full (Fl. Toner usé Plein)	Le réceptacle de toner usagé est presque plein.	Préparez un nouveau réceptacle de toner usagé.
WASTE TONER FULL (Toner usé Plein) REPLACE BOTTLE (REPLACER KIT)	Le réceptacle de toner usagé est plein.	Remplacez le réceptacle de toner usagé.
WRONG PASSWORD (Mauv. Mt De Passe) xxx	Le mot de passe étant incorrect, l'accès au serveur indiqué est impossible.	Spécifiez le bon mot de passe.
xxx COVER OPEN (Capot xxx ouvert) CLOSE xxx COVER (Fermer capot avant)	Le capot indiqué est ouvert.	Fermez le capot indiqué.
xxx DOOR OPEN (capot xxx ouvert) CLOSE xxx DOOR (fermer capot xxx)	Le capot indiqué est ouvert.	Fermez le capot indiqué.
xxx IS DISABLED (xxx désactivé)	Les paramètres TCP/IP, FTP, SMTP ou SMB sont désactivés.	Activez les paramètres TCP/IP, FTP, SMTP ou SMB.
xxx SERVER ERROR (erreur serveur xxx)	Le fichier ne peut être enregistré sur le serveur spécifié.	Vérifiez l'état du serveur spécifié.

## ***Messages de service***

Ces messages indiquent une erreur plus grave qui ne peut être corrigée que par un technicien de maintenance. Dans ce cas, éteignez la machine et rallumez-la. Si le problème persiste, contactez votre revendeur local ou un centre de service autorisé.

<b>Message</b>	<b>Signification</b>	<b>Action</b>
MACHINE TROUBLE (Problème Machine) SERVICE CALL (xxxx) (appel service (xxxx))	Une erreur a été détectée au niveau du composant "XXXX" indiqué.	Redémarrez la machine. Cela a souvent pour effet d'effacer le message d'erreur et l'opération peut reprendre.  Si le problème persiste, contactez le support technique.



## Chapitre 11

# Installation d'accessoires

## Introduction

**Remarque :**

*L'utilisation d'accessoires non fabriqués/pris en charge par Epson annulera votre garantie.*

<b>Module de mémoire DIMM</b>	Module DIMM de 512 Mo
<b>Chargeur papier de 500 feuilles (Bac 3)</b>	Bac de 500 feuilles inclus
<b>Lecteur de disque dur</b>	Disque dur SATA

**Remarque :**

- Avant d'installer un accessoire, la machine et l'accessoire doivent impérativement être éteints et débranchés de la prise d'alimentation secteur.*
- Cette imprimante ne prend pas en charge les cartes CompactFlash.*

## Protection antistatique

**Remarque :**

*Avant toute intervention sur la carte contrôleur de l'imprimante, il est très important de la protéger contre tout dégât pouvant être causé par des décharges d'électricité statique liées à vos manipulations. Avant tout, fermez tous les interrupteurs de courant. Si un bracelet antistatique est fourni dans votre kit d'options pour la machine, attachez un bout de sa lanière à votre poignet, et l'autre bout, sur le châssis nu à l'arrière de cette machine. N'attachez jamais la lanière de ce bracelet à un appareil sous tension. Des pièces en matière plastique, caoutchouc, bois ou métal peint, ou des prises téléphoniques, ne sont pas des prises de terre adéquates.*

*Si vous n'avez pas de bracelet antistatique, déchargez votre corps de toute charge d'électricité statique en touchant une surface reliée à la terre avant de manipuler des cartes de circuits imprimés ou des composants. Evitez aussi de trop circuler après vous être mis à la terre.*

## Module de mémoire DIMM

### Remarque :

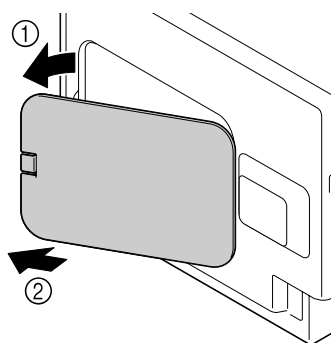
- ❑ Une extension de mémoire (DIMM) peut être nécessaire pour imprimer des graphiques complexes ou imprimer en recto-verso.
- ❑ Cette machine ne détecte que la moitié de la capacité totale de mémoire installée.  
Les modules de mémoire DIMM (Dual In-line Memory Module) sont des cartes de circuit imprimé compactes, avec des puces de mémoire montées en surface.  
La mémoire standard de l'imprimante (256 Mo) peut être étendue jusqu'à un maximum de 768 Mo.  
La mémoire du copieur est fixée à 128 Mo.

## Installation d'un module DIMM

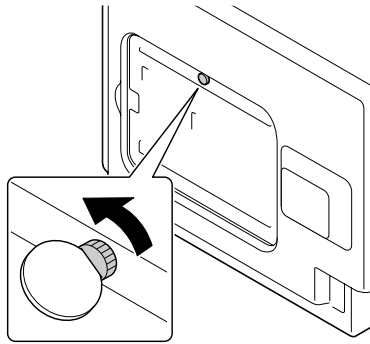
### Remarque :

Il est très important de protéger la carte contrôleur de l'imprimante et toutes cartes de circuits associées contre les décharges électrostatiques. Avant d'effectuer cette procédure, voir « Protection antistatique » à la page 257. En outre, prenez toujours les cartes de circuits imprimés par les bords uniquement.

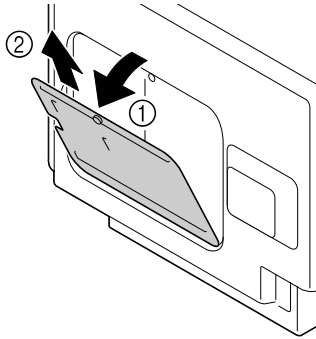
1. Eteignez la machine et débranchez le cordon d'alimentation et les câbles d'interface.
2. Retirez le capot arrière.



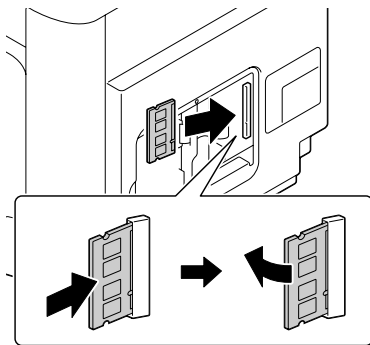
3. A l'aide d'une pièce de monnaie, ôtez une vis.



4. Ouvrez le capot.



5. Insérez le module DIMM en angle (environ 45°) dans le connecteur, en vous assurant que l'encoche sur l'unité soit alignée avec la patte sur le connecteur, puis appuyez doucement jusqu'à ce qu'il s'enclenche.



**Remarque :**

- ❑ *Veillez à manipuler les modules DIMM par les bords uniquement.*

- Vous entendrez un déclic sur lorsque le module DIMM est correctement positionné.
6. Fixez le capot, puis serrez la vis.
  7. Fermez le capot arrière.
  8. Rebranchez tous les câbles d'interface.
  9. Rebranchez le cordon d'alimentation et allumez la machine.
  10. Déclarez la mémoire supplémentaire dans le pilote de l'imprimante Windows (Propriétés (Propriétés)/onglet Configure (Configurer)).
  11. Imprimez une page de configuration (REPORT/STATUS (Rapport/Etat)/REPORT (Rapport)/CONFIGURATION PAGE (Page Configuration)) et vérifiez que la quantité totale de mémoire RAM installée dans cette machine est répertoriée.

---

## **Lecteur de disque dur (C12C824511)**

Si vous installez un lecteur de disque dur, vous pouvez effectuer les tâches suivantes :

- Impression/enregistrement de travaux
- Téléchargement de polices, calques et d'un profil de couleur
- Authentification de l'utilisateur
- Impression directe
- Tri des imprimés

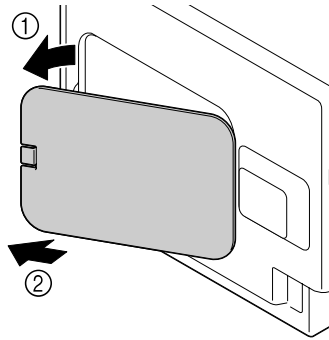
## **Installation du lecteur de disque dur**

### **Remarque :**

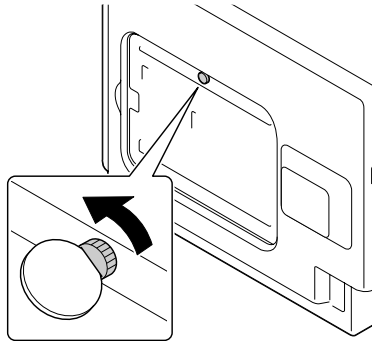
*Il est très important de protéger la carte contrôleur de l'imprimante et toutes cartes de circuits associées contre les décharges électrostatiques. Avant d'effectuer cette procédure, voir « Protection antistatique » à la page 257. En outre, prenez toujours les cartes de circuits imprimés par les bords uniquement.*

1. Eteignez la machine et débranchez le cordon d'alimentation et les câbles d'interface.

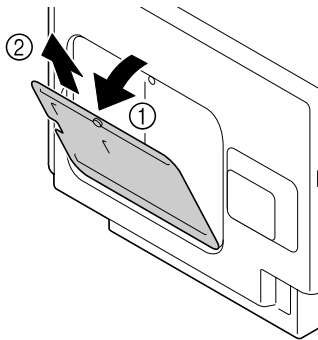
2. Retirez le capot arrière.



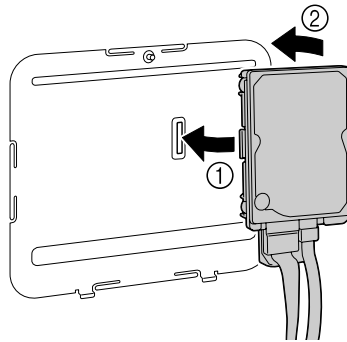
3. A l'aide d'une pièce de monnaie, ôtez une vis.



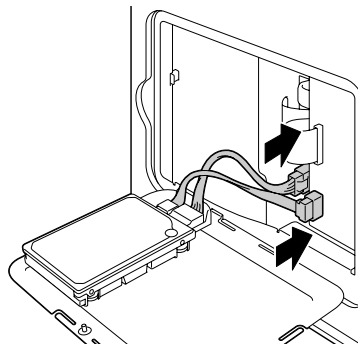
4. Ouvrez le capot.



5. Installation du lecteur de disque dur à l'arrière du capot.



6. Branchez les deux câbles sur le lecteur de disque dur dans le connecteur.



7. Fixez le capot, puis serrez la vis.
8. Fermez le capot arrière.
9. Rebranchez tous les câbles d'interface.
10. Rebranchez le cordon d'alimentation et allumez la machine.
11. Déclarez le disque dur (Hard Disk) dans le pilote de l'imprimante Windows (Propriétés (Propriétés)/onglet Configure (Configurer)).

---

## **Chargeur papier de 500 feuilles (C12C802651)**

Vous pouvez installer un chargeur papier de 500 feuilles en option (Bac 3).

## Installation d'un chargeur papier de 500 feuilles

**Remarque :**

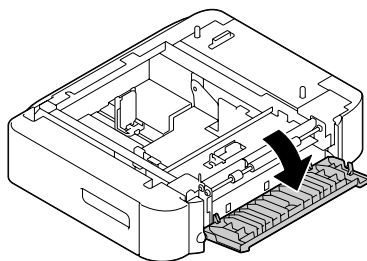
Si des consommables sont installés dans la machine, veillez à la déplacer en la maintenant de niveau pour éviter toute dispersion.

1. Eteignez la machine et débranchez le cordon d'alimentation et les câbles d'interface.
2. Préparez le chargeur papier de 500 feuilles.

**Remarque :**

Veillez à déposer le chargeur papier de 500 feuilles sur une surface plane.

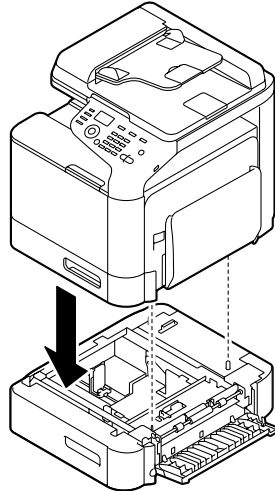
3. Ouvrez le capot latéral droit du chargeur papier de 500 feuilles.



**Remarque :**

Avant d'installer le chargeur papier de 500 feuilles dans la machine, son capot latéral droit doit être ouvert.

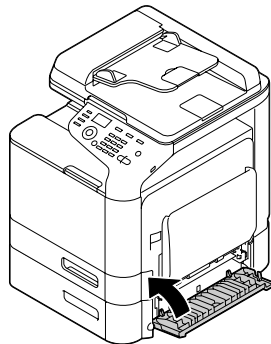
4. Avec l'aide d'une autre personne, placez la machine sur le chargeur papier de 500 feuilles, en vous assurant que les picots de placement situés sur le chargeur papier de 500 feuilles entrent bien dans les trous correspondants à la base de la machine.



**Avertissement:**

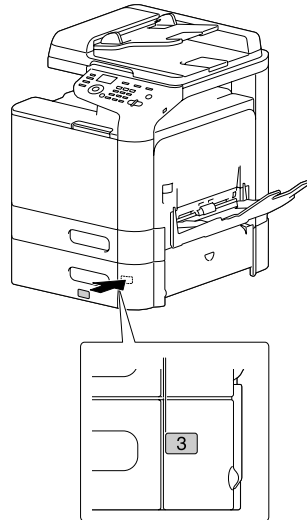
*Avec tous ses consommables installés, cette machine pèse environ 32,5 kg (71,6 lb). Pour la soulever, deux personnes sont nécessaires.*

5. Fermez le capot latéral droit du chargeur papier de 500 feuilles.





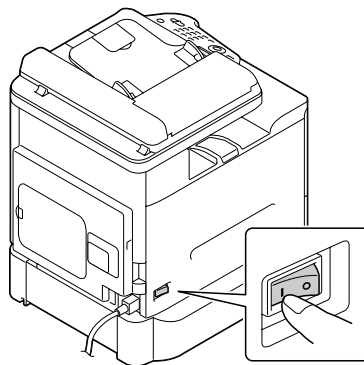
6. Collez l'étiquette à l'avant du chargeur papier de 550 feuilles comme indiqué dans l'illustration ci-dessous.



**Remarque :**

*L'étiquette est fournie avec l'imprimante.*

7. Rebranchez tous les câbles d'interface.
8. Rebranchez le cordon d'alimentation et allumez la machine.



9. Déclarez le bac 3 dans le pilote de l'imprimante Windows (Propriétés (Propriétés)/onglet Configure (Configurer)).

*Annexe A***Annexe****Spécifications techniques**

Type	Bureau (imprimante tout-en-un laser couleur au format A4 de type Tandem)
Photoconducteur	OPC
Source lumineuse	LED
Système d'impression	Numérisation par faisceau laser à semi-conducteurs + traitement électro-photographique de type sec
Système de développement	Système de développement à sec SMT mono composant
Système de fixation	Système de fixation à courroie inférieure libre
Résolution	Copie : 600 × 600 dpi Numérisation : 600 × 600 dpi, 600 × 300 dpi (avec chargeur ADF) Impression : 600 × 600 dpi × 3 bits
Formats des supports	Bac 1 (alimentation manuelle) / Bac 2 <input type="checkbox"/> Largeur du papier : 92 à 216 mm <input type="checkbox"/> Longueur du papier (Bac 1) : 148 à 356 mm <input type="checkbox"/> Longueur du papier (Bac 2) : 148 à 297 mm * Les enveloppes d'une largeur de 220 mm peuvent être imprimées depuis le Bac 1 (alimentation manuelle). Bac 3 (en option) A4, B5, Executive, Letter, G-Legal (Legal officiel), Legal

Papier/Support	<p>Papier standard (60 à 90 g/m<sup>2</sup>)</p> <p>Papier recyclé (60 à 90 g/m<sup>2</sup>)</p> <p>Papier en-tête</p> <p>Enveloppes</p> <p>Etiquette</p> <p>Papier épais 1 (91 à 150 g/m<sup>2</sup>)</p> <p>Papier épais 2 (151 à 210 g/m<sup>2</sup>)</p> <p>Cartes postales</p> <p>Brillant 1 (100 à 128 g/m<sup>2</sup>)</p> <p>Brillant 2 (129 à 158 g/m<sup>2</sup>)</p> <p>Papier recto seul (60 à 90 g/m<sup>2</sup>)</p> <p>Papier spécial (60 à 90 g/m<sup>2</sup>)</p>
Capacité d'alimentation	<p>Bac 1 (alimentation manuelle)</p> <ul style="list-style-type: none"> <li><input type="checkbox"/> Papier standard/recyclé : 100 feuilles</li> <li><input type="checkbox"/> Enveloppes : 10 enveloppes</li> <li><input type="checkbox"/> En-tête, étiquettes, support épais 1/2, carte postale, papier brillant 1/2 : 20 feuilles</li> </ul> <p>Bac 2</p> <ul style="list-style-type: none"> <li><input type="checkbox"/> Papier standard/recyclé : 250 feuilles</li> <li><input type="checkbox"/> En-tête, étiquettes, support épais 1/2, carte postale, papier brillant 1/2 : 20 feuilles</li> </ul> <p>Bac 3 (en option)</p> <p>Papier standard/recyclé : 500 feuilles</p>
Capacité de sortie	Bac de sortie : 150 feuilles (papier standard) / 10 feuilles (papier spécial)
Température ambiante	<p>10 à 30° C (50 à 86° F)</p> <p><b>Remarque :</b> Fluctuations ne dépassant pas 10°C (18°F) dans une période d'une heure.</p>
Humidité ambiante	<p>15 à 85 %</p> <p><b>Remarque :</b> Fluctuations ne dépassant pas 10 % dans une période d'une heure.</p>
Alimentation électrique	<p>110 à 127 V CA, 50 à 60 Hz</p> <p>220 à 240 V CA, 50 à 60 Hz</p>
Consommation électrique	<p>120 V CA : 1 000 W ou moins</p> <p>220 à 240 V CA : 1 100 W ou moins</p> <p>Mode Economie d'énergie : 34 W ou moins</p>

Intensité du courant	120 V CA : 8,2 A ou moins 220 à 240 V CA : 4,4 A ou moins
Niveau de bruit	En veille : 33 dB ou moins En impression : 52,5 dB ou moins En copie : 53,5 dB ou moins
Dimensions externes	Hauteur : 476 mm Largeur : 421,5 mm Profondeur : 544 mm <b>Remarque :</b> Pièces en saillie et bac d'alimentation manuelle exclus.
Poids	27,7 kg (61 lb) (sans consommables) 32,5 kg (71,6 lb) (avec consommables)
Interface	Compatible USB 2.0 (haute vitesse), Ethernet 10Base-T/100Base-TX/1000Base-T (IEEE 802.3), USB hôte (impression depuis un périphérique USB), connecteur RJ-45
Mémoire standard	Imprimante : 256 Mo, copieur : 128 MB

## Annexe B

---

### **Pour plus d'informations**

---

### **Contacter le service assistance Epson**

---

#### **Avant de contacter Epson**

Si votre produit Epson ne fonctionne pas correctement et que vous ne parvenez pas à résoudre le problème à l'aide des informations de dépannage contenues dans la documentation du produit, appelez le service assistance Epson. Si le service assistance Epson de votre région n'est pas répertorié ci-après, contactez le revendeur qui vous a vendu le produit.

Le service assistance Epson pourra vous aider beaucoup plus rapidement si vous lui transmettez les informations suivantes :

- Numéro de série du produit  
(l'étiquette portant le numéro de série se trouve habituellement au dos de l'appareil)
- Modèle
- Version du logiciel  
(Cliquez sur **About (A propos de)**, **Version Info (Informations de version)** ou sur un bouton similaire dans le logiciel du produit.)
- Marque et modèle de votre ordinateur
- Nom et version de votre système d'exploitation
- Nom et version des logiciels que vous utilisez habituellement avec le produit

#### **Aide destinée aux utilisateurs d'Amérique du Nord**

Epson propose les services d'assistance technique répertoriés ci-dessous.

## **Assistance Internet**

Consultez le site Internet d'assistance d'Epson à l'adresse <http://epson.com/support> et sélectionnez le produit utilisé pour obtenir des solutions aux problèmes les plus fréquents. Vous pouvez télécharger des pilotes et de la documentation, consulter les foires aux questions et les conseils de dépannage ou poser vos questions à Epson par courrier électronique.

## **Contacteur un représentant de l'assistance**

Appelez le (888) 377-6611, de 6h00 à 18h00, heure du Pacifique, du lundi au vendredi. Les heures et les jours d'ouverture du service d'assistance peuvent être modifiés sans préavis.

Avant d'appeler, munissez-vous du numéro d'identification de votre unité ; celui-ci est inclus avec les informations du plan de protection Epson « Preferred » fourni votre imprimante. Vous devez aussi vous munir du numéro de série de votre imprimante et d'une preuve d'achat.

## **Achat de fournitures et d'accessoires**

Vous pouvez acheter des cartouches d'encre, des cartouches de toner, du papier et des accessoires Epson d'origine auprès d'un revendeur Epson agréé. Pour trouver le revendeur le plus proche, appelez 800-GO-EPSON (800-463-7766). Vous pouvez également effectuer vos achats en ligne, à l'adresse <http://www.epsonstore.com> (ventes aux Etats-Unis) ou <http://www.epson.ca> (ventes au Canada).

## **Aide destinée aux utilisateurs d'Amérique latine**

Les services d'assistance électroniques sont disponibles 24 heures sur 24 sur les sites Internet suivants :

<b>Service</b>	<b>Accès</b>
Site Internet	Vous pouvez accéder au site Internet de Epson Amérique latine à l'adresse <a href="http://www.latin.epson.com">http://www.latin.epson.com</a> . Au Brésil, vous pouvez contacter Epson à l'adresse <a href="http://www.epson.com.br">http://www.epson.com.br</a> .

Pour parler avec un représentant de l'assistance, appelez l'un des numéros suivants :

<b>Pays</b>	<b>Numéro de téléphone</b>
Argentine	(54 11) 5167-0300
Brésil	(55 11) 3956-6868
Chili	(56 2) 230-9500

Pays	Numéro de téléphone
Colombie	(571) 523-5000
Costa Rica	(50 6) 2210-9555, (800) 377-6627
Mexique	(52 55) 1323-2052, 01-800-087-1080
Pérou	(51 1) 418-0210
Venezuela	(58 212) 240-1111

## ***Aide destinée aux utilisateurs en Europe***

Consultez le **document de garantie pan-européenne** pour plus d'informations au sujet de la manière de contacter le service assistance Epson.

## ***Aide destinée aux utilisateurs à Taiwan***

Les contacts pour obtenir des informations, l'assistance et les services sont :

### ***Site Internet (<http://www.epson.com.tw>)***

Des informations sur les spécifications des produits, des pilotes de téléchargement et des demandes de renseignement sur les produits sont disponibles.

### ***Service d'assistance téléphonique Epson (téléphone : +0280242008)***

L'équipe de notre service d'assistance peut vous aider par téléphone en ce qui concerne les éléments suivants :

- Demandes de renseignement et informations sur les produits
- Questions ou problèmes relatifs à l'utilisation des produits
- Renseignements sur les réparations et la garantie

### ***Centre de réparation :***

Numéro de téléphone	Numéro de fax	Adresse
02-23416969	02-23417070	No.20, Beiping E. Rd., Zhongzheng Dist., Taipei City 100, Taiwan

Numéro de téléphone	Numéro de fax	Adresse
02-27491234	02-27495955	1F., No.16, Sec. 5, Nanjing E. Rd., Songshan Dist., Taipei City 105, Taiwan
02-32340688	02-32345299	No.1, Ln. 359, Sec. 2, Zhongshan Rd., Zhonghe City, Taipei County 235, Taiwan
039-605007	039-600969	No.342-1, Guangrong Rd., Luodong Township, Yilan County 265, Taiwan
038-312966	038-312977	No.87, Guolian 2nd Rd., Hualien City, Hualien County 970, Taiwan
02-82273300	02-82278866	5F.-1, No.700, Zhongzheng Rd., Zhonghe City, Taipei County 235, Taiwan
03-2810606	03-2810707	No.413, Huannan Rd., Pingzhen City, Taoyuan County 324, Taiwan
03-5325077	03-5320092	1F., No.9, Ln. 379, Sec. 1, Jingguo Rd., North Dist., Hsinchu City 300, Taiwan
04-23291388	04-23291338	3F., No.510, Yingcai Rd., West Dist., Taichung City 403, Taiwan
04-23805000	04-23806000	No.530, Sec. 4, Henan Rd., Nantun Dist., Taichung City 408, Taiwan
05-2784222	05-2784555	No.463, Zhongxiao Rd., East Dist., Chiayi City 600, Taiwan
06-2221666	06-2112555	No.141, Gongyuan N. Rd., North Dist., Tainan City 704, Taiwan
07-5520918	07-5540926	1F., No.337, Minghua Rd., Gushan Dist., Kaohsiung City 804, Taiwan
07-3222445	07-3218085	No.51, Shandong St., Sanmin Dist., Kaohsiung City 807, Taiwan
08-7344771	08-7344802	1F., No.113, Shengli Rd., Pingtung City, Pingtung County 900, Taiwan

## ***Aide destinée aux utilisateurs en Australie***

Epson Australie souhaite vous proposer un service clientèle de niveau élevé. Parallèlement à la documentation de votre produit, nous mettons à votre disposition les sources d'information suivantes :



## ***Votre revendeur***

N'oubliez pas que votre revendeur est souvent en mesure de vous aider à identifier et résoudre les problèmes. Vous devez toujours commencer par contacter le revendeur pour obtenir des conseils en cas de problème. Le revendeur peut souvent résoudre rapidement et facilement les problèmes et vous donner des indications sur la procédure à suivre.

## ***URL du site Internet : <http://www.epson.com.au>***

Consultez le site Internet de Epson Australie. Un site qui vaut le détour ! Celui-ci contient une zone de téléchargement de pilotes, une liste de points de contact Epson, des informations relatives aux nouveaux produits et une assistance technique (par courrier électronique).

## ***Service d'assistance Epson***

Point de contact final, le bureau d'assistance Epson permet de garantir que les clients ont accès à des conseils. Les opérateurs du bureau d'assistance vous aident à installer, configurer et utiliser votre produit Epson. Le personnel de notre bureau d'assistance préventes vous propose de la documentation relative aux nouveaux produits Epson et vous indique où se trouve le revendeur ou agent d'entretien le plus proche. Le bureau d'assistance répond à de nombreux types de requêtes.

Les numéros du bureau d'assistance sont les suivants :

Téléphone : 1300 361 054

Fax : (02) 8899 3789

Nous vous invitons à recueillir toutes les informations nécessaires avant d'appeler. Plus les informations recueillies sont nombreuses et plus le problème peut être résolu rapidement. Les informations concernées incluent la documentation de votre produit Epson, le type d'ordinateur, le système d'exploitation, les programmes utilisés et toutes les informations jugées utiles.

## ***Aide destinée aux utilisateurs à Singapour***

Les sources d'informations, l'assistance et les services mis à disposition par Epson Singapour sont :

### ***Site Internet (<http://www.epson.com.sg>)***

Des informations sur les spécifications des produits, des pilotes de téléchargement, une foire aux questions, des demandes de renseignement et une assistance technique via e-mail sont disponibles.

### **Service d'assistance téléphonique Epson (téléphone : (65) 6586 3111)**

L'équipe de notre service d'assistance peut vous aider par téléphone en ce qui concerne les éléments suivants :

- Demandes de renseignement et informations sur les produits
- Questions ou problèmes relatifs à l'utilisation des produits
- Renseignements sur les réparations et la garantie

### **Aide destinée aux utilisateurs en Thaïlande**

Les contacts pour obtenir des informations, l'assistance et les services sont :

#### **Site Internet (<http://www.epson.co.th>)**

Des informations sur les spécifications des produits, des pilotes de téléchargement, une foire aux questions et une adresse e-mail sont disponibles.

### **Service d'assistance téléphonique Epson (téléphone : (66)2685-9899)**

L'équipe de notre service d'assistance téléphonique peut vous aider par téléphone en ce qui concerne les éléments suivants :

- Demandes de renseignement et informations sur les produits
- Questions ou problèmes relatifs à l'utilisation des produits
- Renseignements sur les réparations et la garantie

### **Aide destinée aux utilisateurs au Viêt Nam**

Les contacts pour obtenir des informations, l'assistance et les services sont :

Service d'assistance téléphonique Epson (Téléphone) : 84-8-823-9239

Centre de services : 80 Truong Dinh Street, District 1, Hochiminh City  
Vietnam

## **Aide destinée aux utilisateurs en Indonésie**

Les contacts pour obtenir des informations, l'assistance et les services sont :

### **Site Internet (<http://www.epson.co.id>)**

- Informations sur les spécifications des produits, pilotes de téléchargement
- Foire aux questions, demandes de renseignement, questions posées via e-mail

### **Service d'assistance téléphonique Epson**

- Demandes de renseignement et informations sur les produits
- Support technique

Téléphone (62) 21-572 4350

Fax (62) 21-572 4357

### **Centre de services Epson**

Jakarta Mangga Dua Mall 3rd floor No 3A/B  
Jl. Arteri Mangga Dua,  
Jakarta

Téléphone/fax : (62) 21-62301104

Bandung Lippo Center 8th floor  
Jl. Gatot Subroto No.2  
Bandung

Téléphone/fax : (62) 22-7303766

Surabaya Hitech Mall It IIB No. 12  
Jl. Kusuma Bangsa 116 – 118  
Surabaya

Téléphone : (62) 31-5355035

Fax : (62)31-5477837

Yogyakarta	Hotel Natour Garuda Jl. Malioboro No. 60 Yogyakarta  Téléphone : (62) 274-565478
Medan	Wisma HSBC 4th floor Jl. Diponegoro No. 11 Medan  Téléphone/fax : (62) 61-4516173
Makassar	MTC Karebosi Lt. III Kav. P7-8 Jl. Ahmad Yani No.49 Makassar  Téléphone : (62)411-350147/411-350148

## ***Aide destinée aux utilisateurs à Hong Kong***

Pour bénéficier d'une assistance technique comme d'autres services après-vente, les utilisateurs sont invités à contacter Epson Hong Kong Limited.

### ***Page d'accueil Internet***

Epson Hong Kong dispose d'une page d'accueil locale en chinois et en anglais sur Internet pour proposer aux utilisateurs les informations suivantes :

- Informations sur les produits
- Réponses de la foire aux questions
- Dernières versions des pilotes des produits Epson

Les utilisateurs peuvent accéder à notre page d'accueil Web à l'adresse suivante :

<http://www.epson.com.hk>

### ***Service d'assistance technique téléphonique***

Vous pouvez également contacter notre personnel technique aux numéros de téléphone et de fax suivants :

Téléphone : (852) 2827-8911

Fax : (852) 2827-4383

## ***Aide destinée aux utilisateurs en Malaisie***

Les contacts pour obtenir des informations, l'assistance et les services sont :

### ***Site Internet (<http://www.epson.com.my>)***

- Informations sur les spécifications des produits, pilotes de téléchargement
- Foire aux questions, demandes de renseignement, questions posées via e-mail

### ***Epson Trading (M) Sdn. Bhd.***

Siège social.

Téléphone : 603-56288288

Fax : 603-56288388/399

### ***Service d'assistance Epson***

- Demandes de renseignement et informations sur les produits (Infoline)

Téléphone : 603-56288222

- Renseignements sur les réparations et la garantie, utilisation des produits et assistance technique (Techline, ligne d'assistance technique)

Téléphone : 603-56288333

## ***Aide destinée aux utilisateurs en Inde***

Les contacts pour obtenir des informations, l'assistance et les services sont :

**Site Internet (<http://www.epson.co.in>)**

Des informations sur les spécifications des produits, des pilotes de téléchargement et des demandes de renseignement sur les produits sont disponibles.

**Siège social de Epson Inde - Bangalore**

Téléphone : 080-30515000

Fax : 30515005

**Bureaux régionaux de Epson Inde :**

Position	Numéro de téléphone	Numéro de fax
Mumbai	022-28261515 /16/17	022-28257287
Delhi	011-30615000	011-30615005
Chennai	044-30277500	044-30277575
Kolkata	033-22831589 / 90	033-22831591
Hyderabad	040-66331738/ 39	040-66328633
Cochin	0484-2357950	0484-2357950
Coimbatore	0422-2380002	NA
Pune	020-30286000 /30286001/30286002	020-30286000
Ahmedabad	079-26407176 / 77	079-26407347

**Ligne d'assistance**

Pour les services, pour des informations relatives aux produits ou pour commander une cartouche - 18004250011 (de 9h00 à 21h00) - numéro gratuit.

Pour les services (accès multiple par répartition en code et utilisateurs mobiles) - 3900 1600 (de 9h00 à 18h00) Indicatif régional

## ***Aide destinée aux utilisateurs aux Philippines***

Pour bénéficier d'une assistance technique comme d'autres services après-vente, les utilisateurs sont invités à contacter Epson Philippines Corporation aux numéros de téléphone et de télécopie et à l'adresse e-mail ci-après :

Ligne commune :	(63-2) 706 2609
Fax :	(63-2) 706 2665
Ligne directe du bureau d'assistance :	(63-2) 706 2625
E-mail :	epchelpdesk@epc.epson.com.ph

**Site Internet** (<http://www.epson.com.ph>)

Des informations sur les spécifications des produits, des pilotes de téléchargement, une foire aux questions et des renseignements via e-mail sont disponibles.

**Numéro gratuit : 1800-1069-EPSON(37766)**

L'équipe de notre service d'assistance téléphonique peut vous aider par téléphone en ce qui concerne les éléments suivants :

- Demandes de renseignement et informations sur les produits
- Questions ou problèmes relatifs à l'utilisation des produits
- Renseignements sur les réparations et la garantie

## Index

<b>A</b>	
Adresse de destination des données numérisées	
Enregistrer une adresse de destination.....	168
Modifier une adresse de destination.....	166
Spécifier plusieurs destinations.....	166
Spécifier une adresse de destination.....	158
Supprimer une adresse de destination.....	167
Aide	
Epson.....	269
<b>B</b>	
Bac de sortie.....	120
Bourrages papier	
ADF.....	230
Bac 1.....	222
Bac 2.....	224
Bac 3.....	227
Rouleau de transfert.....	222
Unité de fixation.....	233
Unité recto-verso.....	232
<b>C</b>	
Carnet d'adresses	
Recherche d'une adresse.....	163
Sélection d'une adresse.....	162
Cartes postales.....	105
Chargement des supports.....	109
Chargeur papier de 500 feuilles.....	262
Consommables	
Bloc photoconducteur.....	189
Cartouche de toner.....	182
Réceptacle de toner usé.....	196
Copie	
Copie 2en1/4en1.....	140
Copie de carte d'identité.....	142
Copie poster.....	144
Copie répétée.....	143
Densité de copie.....	138
Mode Copie.....	137
Recto-verso.....	145
Sélectionner le bac support.....	139
Taux de zoom.....	139
Copie 2en1/4en1.....	140
Copie de carte d'identité.....	142
Copie poster.....	144
Copie répétée.....	143
Copies triées.....	148
<b>D</b>	
Décharge électrostatique.....	257
Dépannage	
Messages d'état, d'erreur et de service.....	249
<b>E</b>	
Ecran des messages.....	38
Ecran Impression.....	46
Entretien.....	205
Enveloppes.....	102
Étiquettes.....	103
<b>L</b>	
Lecteur de disque dur.....	260
Liste du carnet d'adresses	
Enregistrement d'une adresse.....	167, 168
Sélection d'une adresse.....	160
Suppression d'une adresse.....	169
<b>M</b>	
Mémoire directe.....	134
Menu Admin. Management (Gestion admin.).....	56
Menu Configuration.....	49
Menu Copy Setting (Param. Copie).....	67
Menu Dial Register (Enregist. Num.).....	69
Menu Machine Setting (Param. Machine).....	52
Menu Memory Print (impress. memoire).....	94
Menu Paper (Papier).....	73



Menu Paper Setup (Config. Papier).....	54	Suppression d'un travail de transmission en attente	180
Menu Proof/Print (Verif/Impr).....	72	Numérotation abrégée	
Menu PS/PCL PRINT (impression PS/PCL)		Enregistrement d'une adresse (recherche LDAP).....	171
Menu Paper (Papier).....	73	Enregistrement d'une adresse (saisie directe).....	170
Menu Proof/Print (Verif/Impr).....	72	Modification/suppression d'une adresse.....	173
Menu Quality (Qualité).....	75	Sélection d'une adresse.....	160
Menu Sys Default (Default Sys.).....	89	Numérotation groupée	
Menu PS/PCL Print (impression PS/PCL).....	72	Enregistrement d'une adresse.....	174
Menu Quality (Qualité).....	75	Modification/suppression d'une adresse.....	175
Menu Rapport/Etat.....	47	Sélection d'une adresse.....	161
Menu Scan Setting (Param. Scanner).....	70	<b>P</b>	
Menu Sys Default (Default Sys.).....	89	Panneau de commande.....	38
Menu Utility (Utilitaire).....	50	Papier en-tête.....	104
Menu Admin. Management (Gestion admin.).....	56	Papier spécial.....	107
Menu Machine Setting (Param. Machine).....	52	Papier standard.....	100
Menu Paper Setup (Config. Papier).....	54	Périphérique mémoire USB.....	158
Menu Scan Setting (Param. Scanner).....	70	Pièces d'entretien	
menu Utility (Utilitaire)		Unité de fixation.....	199
menu Copy Setting (Param. Copie).....	67	Pilote de l'imprimante (Postscript, PCL).....	126
menu Dial Register (Enregist. Num.).....	69	Désinstallation.....	126
Messages		My Tab.....	129
Messages de bourrage.....	220	Onglet Autres.....	132
Messages de service.....	256	Onglet Avancé.....	128
Messages d'erreur.....	251	Onglet Filigrane/Calque.....	131
Messages d'état.....	250	Onglet Mise en page.....	130
Messages de service.....	256	Onglet Paramétrage par page.....	130
Module de mémoire Dual In-Line (DIMM).....	258	Onglet Qualité.....	132
		Onglet Standard.....	129
<b>N</b>		Pilote de l'imprimante (PPD)	
Numériser.....	158	Désinstallation.....	126
Couleur de numérisation.....	179	Pilote du scanner	
Densité de numérisation.....	178	Pilote TWAIN (Macintosh).....	153
Format de données.....	176	Pilote TWAIN (Windows).....	150
Format de numérisation.....	179	Pilote WIA (Windows).....	152
Mode de numérisation.....	177	Pilote TWAIN	
Objet.....	180	Pour Macintosh.....	153
Recto-verso.....	178	pour Windows.....	150
Résolution.....	177	Pilote WIA.....	152
Scan vers E-mail.....	158	Pour contacter Epson.....	269
Scan vers FTP.....	158	Problèmes	
Scan Vers Mém. USB.....	158	pour contacter Epson.....	269
Scan vers SMB.....	158	résolution.....	269
Spécifier la destination des données.....	158		
Spécifier une adresse de destination.....	158		

Problèmes de bourrage.....	237
Prévention.....	219
Suppression.....	220
Protection antistatique.....	257

**Q**

Qualité d'impression.....	244
---------------------------	-----

**R**

Recto seul.....	106
Recto-verso.....	118
Copie.....	145
Numériser.....	178
Résolution de problèmes.....	219

**S**

Sélectionner le bac support.....	139
Serveur LDAP	
Enregistrement en numérotation abrégée.....	171
Recherche d'une adresse.....	164
Service.....	269
Stockage des supports.....	120
Support	
Surface imprimable.....	108
Support brillant.....	106
Support épais.....	101
Supports	
Chargement.....	109
Prévention des bourrages.....	219
Suppression des bourrages.....	220
Supports originaux.....	121
Surface imprimable.....	108

**T**

Taux de zoom.....	139
Toner restant.....	47
Type de support	
Cartes postales.....	105
Enveloppes.....	102
Etiquettes.....	103
Papier en-tête.....	104

Papier spécial.....	107
Papier standard.....	100
Recto seul.....	106
Support brillant.....	106
Support épais.....	101