

## Features

- Sony BUS system compatible **mobile CD changer**.
- MP3 file playback (recorded in the ISO9660 level 1 or 2 format, or Joliet or Romeo in the expansion format or in Multi Session)
- CD-R/CD-RW which can have a session added can be played.
- Discs recorded in Multi Session (CD-Extra, Mixed CD, etc.) can be played, depending on the recording method.
- ID3 tag<sup>\*1</sup> version 1 information (displayed when an MP3 file is played).
- ESP (Electronic Shock Protection) system** for preventing sound skipping.
- Compact and space-saving design** for vertical, horizontal, suspended or inclined installation.
- 8 fs digital filter for high quality sound.
- 1 bit D/A converter.
- Custom file function**<sup>\*2</sup> for custom naming and displaying the title of each disc.
- CD TEXT function**<sup>\*3</sup> for displaying the CD TEXT information on the main unit's display.

- <sup>\*1</sup> *ID3 tag is an MP3 file that contains information such as album name, artist name, track name, etc.*
- <sup>\*2</sup> *Only available when connected to a main unit that supports this function.*
- <sup>\*3</sup> *Only available when connected to a main unit that supports this function and playing back a CD TEXT disc.*

## Caractéristiques

- Système BUS Sony compatible avec le **changeur de CD mobile**.
- Lecture de fichiers MP3 (enregistrés au format ISO 9660 niveau 1 ou 2, au format d'extension Joliet ou Romeo ou en Multi Session)
- Le CD-R ou CD-RW auquel il est possible d'ajouter une session peut être lu.
- Possibilité de lecture de disques enregistrés en multisession (CD-Extra, CD mixte, etc.), selon la méthode d'enregistrement utilisée.
- Informations sur les tags ID3<sup>\*1</sup> version 1 (affichées lors de la lecture d'un fichier MP3).
- Système électronique de protection contre les chocs (ESP)** qui évite les interruptions du son.
- Modèle compact et peu encombrant** pouvant être installé à l'horizontale, à la verticale, suspendu ou incliné.
- Filtre numérique 8 fs pour obtenir un son de haute qualité.
- Convertisseur N/A 1 bit.
- La fonction de personnalisation de lecture**<sup>\*2</sup> permet de personnaliser la désignation et l'affichage du titre de chaque disque.
- Fonction CD TEXT**<sup>\*3</sup> permettant d'afficher les informations CD TEXT sur l'écran d'affichage de l'appareil principal.

- <sup>\*1</sup> *Un tag ID3 est un fichier MP3 contenant des informations concernant le nom de l'album, le nom de l'artiste, le nom de la plage, etc.*
- <sup>\*2</sup> *Uniquement disponible en cas de raccordement à un appareil principal supportant cette fonction.*
- <sup>\*3</sup> *Uniquement disponible en cas de raccordement à un appareil principal supportant cette fonction et reproduisant un disque CD TEXT.*

## 特點

- Sony BUS 系統兼容的**移動式 CD 換碟器**。
- 播放MP3檔案（以ISO9660 level 1或level 2格式錄製，或以擴展格式或Multi Session中的Joliet或Romeo格式錄製）
- 可以播放能添加一個話路的CD-R/CD-RW光碟。
- 視錄製方法而定，能播放以Multi Session錄製的光碟（CD-Extra和Mixed CD等）。
- ID3標記<sup>\*1</sup>版本1資訊（在播放MP3檔案時顯示）。
- 防跳音用 **ESP（電子防震）系統**。
- 汽車專用小型而節省空間的設計**，可以水平、懸掛或傾斜地安裝。
- 8fs 數字濾波器用於提高音質。
- 1 比特 D/A（數字／模擬）變換器。
- 定製卷宗功能**<sup>\*2</sup>用於定製命名和顯示各唱碟的標題。
- CD TEXT（CD 文本）功能**<sup>\*3</sup>可在主機顯示器上顯示 CD TEXT 資料。

- <sup>\*1</sup> ID3標記是一個包含歌曲專輯名稱、演員姓名和樂曲名稱等資訊的MP3檔案。
- <sup>\*2</sup> 限於當連接到具有大功能的主機時有效。
- <sup>\*3</sup> 限於連接到具有本功能的主機而播放 CD TEXT 唱碟時有效。

## Precautions

### Moisture condensation

On a rainy day or in a very damp area, moisture may condense on the lenses inside the unit. Should this occur, the unit will not operate properly. In this case, **remove the disc magazine and wait for about an hour until the moisture has evaporated.**

### Notes on discs

- If you use the discs explained below, the sticky residue can cause the disc to stop spinning and may cause malfunction or ruin your discs.
- Do not use second-hand or rental CDs that have a sticky residue on the surface (for example from peeled-off stickers or from ink, or glue leaking from under the stickers).
- There are **paste residue. Ink is sticky.** (fig. **A**)
  - Do not use rental CDs with old labels that are beginning to peel off.
  - Stickers that are beginning to peel away, leaving a sticky residue. (fig. **B**)
  - Do not use your discs with labels or stickers attached.
  - Labels are attached. (fig. **C**)

### Do not use any discs with labels or stickers attached.

- The following malfunctions may result from using such discs:
- Inability to eject a disc (due to a label or sticker peeling off and jamming the eject mechanism).
  - Inability to read audio data correctly (e.g., playback skipping, or no playback) due to heat shrinking of a sticker or label causing a disc to warp.
  - Damage to other discs in a disc magazine.

## Précautions

### Remarque sur la condensation d'humidité

Par temps pluvieux ou dans des régions très humides, de la condensation peut se former sur les lentilles à l'intérieur de l'appareil. Dans ce cas, l'appareil ne fonctionne pas correctement. Dans ce cas, **retirez alors le chargeur de disques et attendez environ une heure jusqu'à ce que la condensation se soit évaporée.**

### Remarques sur les disques

- Si vous utilisez les disques décrits ci-dessous, le résidu adhésif risque de provoquer l'arrêt de la rotation du disque et d'entraîner un dysfonctionnement ou d'endommager vos disques. N'utilisez pas de CD de location avec de seconde main ou de location qui présentent des résidus adhésifs à la surface (par exemple d'étiquettes décollées ou d'encre, de colle dépassant de l'étiquette).
- Résidus de colle. L'encre colle.** (fig. **A**)
  - N'utilisez pas de CD de location avec d'anciennes étiquettes qui commencent à se décoller.
  - Les étiquettes qui commencent à se décoller laissent des résidus adhésifs.** (fig. **B**)
  - N'utilisez pas vos disques avec des étiquettes ou des autocollants apposés dessus.
  - Les étiquettes sont fixées.** (fig. **C**)
- N'utilisez pas de disques comportant des étiquettes ou des autocollants.**
- Dans le cas contraire, les dysfonctionnements suivants peuvent se produire :
- Impossible d'éjecter un disque (à cause d'une étiquette ou d'un autocollant qui se décolle et qui bloque le mécanisme d'éjection).
  - Impossible de lire des données audio correctement (par ex. : saut de lecture ou pas de lecture), le disque est voilé en raison du rétrécissement d'un autocollant ou d'une étiquette sous l'effet de la chaleur.
  - Endommagement des autres disques dans un chargeur.

## Specifications

System	Compact disc digital audio system
Laser diode properties	Material: GaAlAs
Frequency response	5 – 20,000 Hz
Wow and flutter	Below the measurable limit
Signal-to-noise ratio	102 dB
Outputs	BUS control output (8 pins) Analog audio output (RCA pin)
Current drain	800 mA (during CD playback) 800 mA (during loading or ejecting a disc)
Operating temperature	–10°C to +55°C (14°F to 131°F)
Dimensions	Approx. 262 × 90 × 185 mm (10 <sup>3</sup> /8 × 3 <sup>5</sup> /8 × 7 <sup>3</sup> /8 in.) (w/h/d) not incl. projecting parts and controls
Mass	Approx. 2.1 kg (4 lb. 10 oz.)
Power requirement	12 V DC car battery (negative ground)
Supplied accessories	Disc magazine (1) Parts for installation and connections (1 set)
Optional accessories	Disc magazine XA-250 Source selector XA-C30

*Design and specifications are subject to change without notice.*

## Spécifications

Système	Audionumérique pour disque compact
Réponse en fréquence	5 – 20.000 Hz
Pleurage et scintillement	En-deçà du seuil mesurable
Rapport signal sur bruit	102 dB
Sorties	Sortie de commande BUS (8 broches) Sortie audio analogique (broche RCA)
Consommation de courant	800 mA (lecture de CD) 800 mA (pendant l'insertion ou l'éjection d'un disque)
Température de fonctionnement	–10°C à +55°C (14°F à 131°F)
Dimensions	Env. 262 × 90 × 185 mm (10 <sup>3</sup> /8 × 3 <sup>5</sup> /8 × 7 <sup>3</sup> /8 po.) (l/h/p) saillies et commandes non comprises
Poids	Env. 2,1 kg (4 liv. 10 on.)
Alimentation	CC sur batterie de voiture 12 V (masse négative)
Accessoires fournis	Chargeur de disques (1) Pièces de montage et de raccordement (1 jeu)
Accessoires en option	Chargeur de disques XA-250 Sélecteur de source XA-C30

*La conception et les spécifications sont modifiables sans préavis.*

## 規格

系統	唱碟數字聲頻系統
頻率響應	5 – 20,000 Hz
失真和顫動	低於可測量限度
信噪比	102 dB
輸出端子	BUS 控制輸出（8 腳） 模擬聲頻輸出（RCA 腳）
電流消耗	800 mA（播放 CD 中） 800 mA（裝放或排出一唱碟中）
操作溫度	–10°C 到+55°C
尺寸	大約寬 262×高 90×縱深 185 mm 不含突出部分和控制器
質量	大約 2.1 kg
電源	12 V DC 汽車電池（負接地）
附件	唱碟匣（1） 安裝和接線用部件（1 套）
選購附件	唱碟匣 XA-250 電源選擇器 XA-C30

*設計和規格有所變更時，恕不另行奉告。*

## 使用前須注意

### 濕氣冷凝

雨天或在潮濕的地方，機器內部的透鏡上面可能發生濕氣冷凝。透鏡上有冷凝水分時，機器將不能正常地運行。此時，**請取出唱碟匣，等候大約一個小時讓冷凝水分完全蒸發乾燥。**

### 唱碟須知

- 若使用以下說明中的光碟，粘性殘留物會造成光碟停止旋轉，並會導致機器故障或毀壞光碟。
- 注意別使用表面殘留有黏膠液的二手舊唱碟或出租的 CD 唱碟（例如撕掉了標籤的位置，印墨，新貼標籤邊緣溢出的多餘黏膠液）。
- 有未乾印墨或殘餘黏膠糊。**（圖 **A**）  
別用那老標籤被剝離的出租 CD 唱碟。
  - 標籤部分剝離，留下黏性膠糊。**（圖 **B**）  
請勿使用表面附有說明文字或標點的光碟。
  - 附貼標籤。**（圖 **C**）

### 請勿使用粘有任何標籤或貼紙的光碟。

- 使用此類光碟可能會引起下列故障：
- 無法退出光碟（由於標籤或貼紙剝落並阻塞退出機構）
  - 由於貼紙或標籤的熱漲冷縮導致光碟彎曲無法正確讀取音頻資料（例如：播放跳躍，或無法播放）。
  - 損壞光碟匣內的其他光碟。

# SONY

# Compact Disc Changer

## Operating Instructions

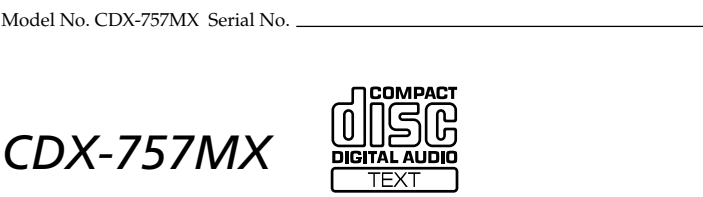
## Mode d'emploi

## 使用說明書

## Owner's Record

The model and serial numbers are located at the rear of the CD changer. Record the serial number in the space provided below. Refer to these numbers whenever you call upon your Sony dealer regarding this product.

Model No. CDX-757MX Serial No. \_\_\_\_\_



Sony Corporation © 2002 Printed in Thailand

## For the customers in the USA

## WARNING

This equipment has been tested and found to comply with the limits for a Class B digital device, pursuant to Part 15 of the FCC Rules. These limits are designed to provide reasonable protection against harmful interference in a residential installation. This equipment generates, uses, and can radiate radio frequency energy and, if not installed and used in accordance with the instructions, may cause harmful interference to radio communications. However, there is no guarantee that interference will not occur in a particular installation. If this equipment does cause harmful interference to radio or television reception, which can be determined by turning the equipment off and on, the user is encouraged to try to correct the interference by one or more of the following measures:

- Reorient or relocate the receiving antenna.
- Increase the separation between the equipment and receiver.
- Connect the equipment into an outlet on a circuit different from that to which the receiver is connected.
- Consult the dealer or an experienced radio/TV technician for help.

You are cautioned that any changes or modifications not expressly approved in this manual could void your authority to operate this equipment.

## CAUTION

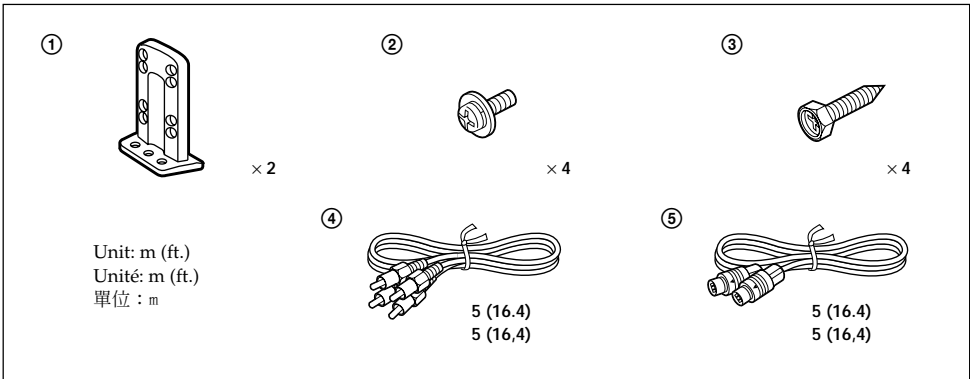
The use of optical instruments with this product will increase eye hazard.

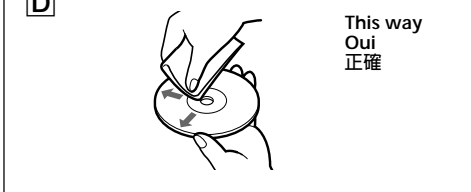
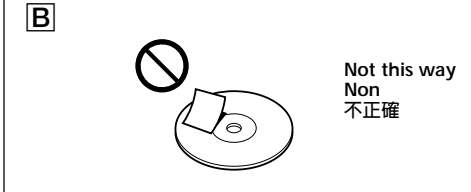
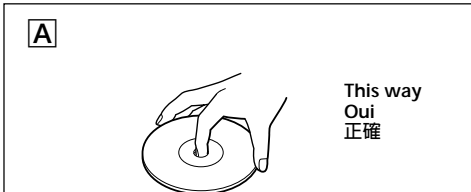
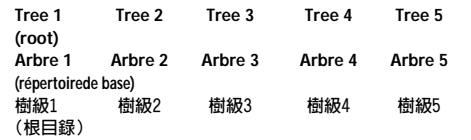
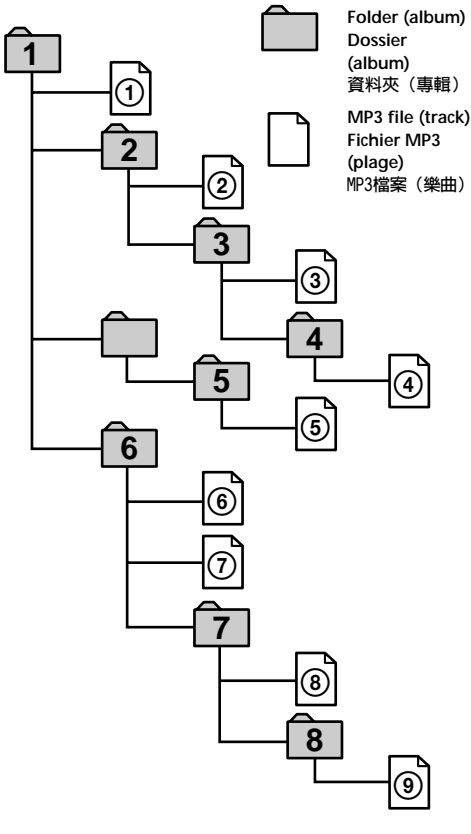
## Parts list

## Liste des composants

### 零件一覽表

The numbers in the list are keyed to those in the instructions. Les numéros de la liste correspondent à ceux des instructions. 表中的號數為說明文中的標號。





E Audio CD CD audio 音頻CD



## About MP3 files

MP3 (MPEG 1 Audio Layer-3) is a standard technology and format for compressing a sound sequence. The file is compressed to about 1/10 of its original size. Sounds outside the range of human hearing are compressed while the sounds we can hear are not compressed.

### Notes on discs

You can play MP3 files recorded on CD-ROMs, CD-Rs (recordable CDs), and CD-RWs (rewritable CDs). The disc must be in the ISO 9660<sup>#1</sup> level 1 or level 2 format, or Joliet or Romeo in the expansion format. You can use a disc recorded in Multi Session<sup>#2</sup>.

#### \*1 ISO 9660 Format

The most common international standard for the logical format of files and folders on a CD-ROM. There are several specification levels. In Level 1, file names must be in the 8.3 format (no more than eight characters in the name, no more than three characters in the extension ".MP3") and in capital letters. Folder names can be no longer than eight characters. There can be no more than eight nested folder levels. In level 2, file names can be up to 31 characters long (including the delimiter, the dot ".", and the extension ".MP3"). Each folder can have up to 8 trees. For Joliet or Romeo in the expansion format, make sure of the contents of the writing software, etc.

#### \*2 Multi Session

This is a recording method that enables adding of data using the Track-At-Once method. Conventional CDs begin at a CD control area called the Lead-in and end at an area called Lead-out. A Multi Session CD is a CD having multiple sessions, with each segment from Lead-in to Lead-out regarded as a single session. CD-Extra: A format that contains audio tracks (audio CD data) in Session 1, and a data track in Session 2. Mixed CD: A format that contains a data track and audio tracks (audio CD data) in a session.

### Notes

- If MP3 files and Audio data are mixed in a disc, the first identified file or data will be played back.
- With formats other than ISO 9660 level 1, folder names or file names may not be displayed correctly.
- When naming, be sure to add the file extension ".MP3" to the file name.
- If you put the extension ".MP3" to a file other than MP3, the unit cannot recognize the file properly and will generate random noise that could damage your speakers.

## The playback order of the MP3 files

The playback order of the folders and files is shown in the illustration above.

### Notes

- A folder that does not include an MP3 file is skipped.
- If you playback an MP3 file before the information on all the CDs in the disc magazine has been read, and then set the ignition to OFF or select another source, the beginning of the current track may play back when you resume playback.
- The unit reads the disc information (the number of folders and files, or the location of the data) before playback of an MP3 file. It may take more time to start playback of a disc with a complex file structure.
- When a disc magazine is inserted into the CD changer or the reset button of the connected car audio is pressed, the unit will automatically be activated and read the information on the CDs. When the information on all the CDs in the disc magazine has been read, the unit will automatically stop operation. The unit firstly reads all of the disc information in the disc magazine. Depending on the recording method, it may take some time to stop the operation even if you set the ignition key to OFF during disc reading. This is not a malfunction.
- The following discs take a longer time to start playback.
  - discs recorded with complicated tree structure.
  - discs recorded in Multi Session.
  - discs to which data can be added.
- We recommend that you make only one or two trees for each disc.
- Depending on the condition of the disc, it may not play back. For details, please refer to "Notes on discs."
- Maximum folder number in a disc: 255\* (including root folder and empty folders)
- Maximum file number in a disc: 511\*
  - \* Maximum number of files and folders: 512
  - When a file/folder name contains many characters, this number may become less than 512.

## Cautions when playing a disc that is recorded in Multi Session

In a disc that is recorded in Multi Session, some data may not be played back.

- When the first track of the first session is audio CD data: Audio CD data is played back normally; other data is played back with no sound. (MP3 files cannot be played back.)
- When the first track of the first session is not audio CD data:
  - If an MP3 file is in the disc, only MP3 files are played back; other data including audio CD data is skipped.
  - If no MP3 file is in the disc, "NO Music" is displayed and nothing is played back. (Audio CD data is not recognized.)

### Note on character codes

Character codes vary depending on the master unit. For details, refer to the operating instructions for the master unit.

### Note on display of playing time

In the following cases, elapsed playing time may not be displayed accurately.

- when an MP3 file of VBR (variable bit rate) is played.
- during fast-forward/reverse.

### Tip

- To specify a desired playback order, before the folder or file name, input the order by number (e.g., "01," "02"), then record contents onto a disc. (The order differs depending on the writing software.)
- A disalbum/track name or track number that is over 99 may not be displayed accurately when this unit is connected to a master unit that does not support MP3. A master unit that supports MP3 is recommended.

### About ID3 tag version 2

Although not a malfunction, the following occurs when an MP3 file containing ID3 tag ver.2 is played:

- When skipping a portion of ID3 tag ver.2 (at the beginning of the track), sound is not output. Skip time changes depending ID3 tag ver.2 capacity. Example: At 64 kbytes, it is about 2 seconds (with RealJukebox).
- The displayed elapsed playing time when skipping a portion of ID3 tag ver.2 is inaccurate. For MP3 files of a bit rate other than 128 kbps, time is not displayed accurately during playback.
- When an MP3 file is created with MP3 conversion software (ex. RealJukebox\*), ID3 tag ver.2 will automatically be written. \* RealJukebox is a registered trademark of RealNetworks, Inc.

As of December, 2001

## Notes on handling discs

A dirty or defective disc may cause sound drop-outs during playback. To enjoy optimum sound, handle the disc as follows.

- Handle the disc by its edge, and to keep the disc clean, do not touch the unlabeled surface. (fig. [A])
- Do not stick paper or tape on the disc. (fig. [B])
- Keep your discs in their cases or disc magazines when not in use. Do not expose discs to direct sunlight or heat sources such as hot air-ducts. Do not leave discs in a car parked in direct sunlight where there can be a considerable rise in the temperature inside the car. (fig. [C])
- Before playing, clean the discs with an optional cleaning cloth. Wipe each disc in the direction of the arrows. (fig. [D]) Do not use solvents such as benzine, thinner, commercially available cleaners or antistatic spray intended for analog discs.
- Discs with special shapes (heart-shaped discs, octagonal discs etc.) cannot be played on this unit. Attempting to do so may damage the unit. Do not use such discs.

### Notes on CD-R/CD-RW discs

- You can play CD-Rs/CD-RWs (recordable CDs/rewritable CDs) on this unit (fig. [E]).
- Some CD-Rs/CD-RWs (depending on the equipment used for its recording or the condition of the disc) may not play on this unit.
- You cannot play a CD-R/CD-RW that is not finalized\*.
- A CD-R/CD-RW to which a session can be added can be played.
- \* A process necessary for a recorded CD-R/CD-RW disc to be played on the audio CD player.

## À propos des fichiers MP3

MP3 (MPEG 1 Audio Layer-3) est une technologie et un format standard de compression d'une séquence sonore. Le fichier est compressé jusqu'à environ 1/10 de sa taille d'origine. Les sons inaudibles à l'oreille humaine sont compressés tandis que les sons audibles ne le sont pas.

### Remarques sur les disques

Vous pouvez lire des fichiers MP3 enregistrés sur des CD-ROM, des CD-R (CD enregistrables) et des CD-RW (CD réinscriptibles). Le disque doit être au format ISO 9660<sup>#1</sup> niveau 1 ou niveau 2 ou au format d'extension Joliet ou Romeo. Vous pouvez utiliser un disque enregistré en Multi Session<sup>#2</sup>.

#### \*1 Format ISO 9660

Norme internationale la plus répandue pour le format logique des fichiers et des dossiers d'un CD-ROM. Il existe plusieurs niveaux de spécification. Pour le Niveau 1, les noms de fichier doivent être au format 8.3 (un nom de 8 caractères maximum et une extension ".MP3" de 3 caractères maximum) et en lettres majuscules. Les noms de dossiers ne peuvent pas excéder huit caractères. Il ne peut y avoir plus de 8 niveaux de dossiers imbriqués. Pour le Niveau 2, les noms de fichier peuvent compter jusqu'à 31 caractères (y compris le séparateur, le point "." et l'extension ".MP3"). Chaque dossier peut comporter jusqu'à 8 niveaux de dossiers imbriqués.Pour les formats d'extension Joliet ou Romeo, vérifiez le contenu du logiciel d'écriture, etc.

#### \*2 Multi Session

Il s'agit d'une méthode d'enregistrement permettant d'ajouter des données à l'aide de la méthode Plage par plage. Les CD traditionnels commencent dans une zone de commande du CD appelée zone d'entrée et se terminent dans une zone appelée zone de sortie. Un CD Multi Session est un CD comportant plusieurs sessions, chaque segment de la zone d'entrée à la zone de sortie étant considéré comme une session unique. CD-Extra: Les disques de ce format sont composés d'une Session 1 contenant des plages audio (données de CD audio) et d'une Session 2 contenant une plage de données. CD mixte: Les disques de ce format sont composés d'une seule session contenant à la fois une plage de données et des plages audio (données de CD audio).

### Remarques

- Si des fichiers MP3 et des données audio sont mélangés sur un disque, le premier fichier ou les premières données identifiées est(sont) lue(s).
- Avec les formats autres que ISO 9660 niveau 1, il est possible que les noms de dossier ou de fichier n'apparaissent pas correctement.
- Lorsque vous attribuez des noms aux fichiers, veillez à ajouter l'extension de fichier ".MP3" au nom de fichier.
- Si vous attribuez l'extension ".MP3" à un fichier autre que MP3, l'appareil ne pourra pas reconnaître le fichier correctement et il générera des parasites qui pourraient endommager vos haut-parleurs.

## Ordre de lecture des fichiers MP3

L'ordre de lecture des dossiers et des fichiers est indiqué dans l'illustration ci-dessus.

### Remarques

- Les dossiers ne contenant pas de fichier MP3 sont ignorés.
- Si vous avez lancé la lecture d'un fichier MP3 avant que les informations de tous les CD présents dans le chargeur aient été lues dans leur totalité, puis que vous avez mis le contact sur OFF ou que vous avez sélectionné une autre source, il est possible que, au moment où vous reprenez la lecture, celle-ci reprenne au début de la dernière plage écoutée.
- L'appareil lit les informations relatives au disque (le nombre de dossiers et de fichiers ou l'emplacement des données) avant de procéder à la lecture d'un fichier MP3. La lecture d'un disque avec une structure complexe de fichiers peut demander un certain temps avant de démarrer.
- Quand un chargeur de disques est inséré dans le changeur de CD ou si la touche de réinitialisation de l'autoradio raccordé est enclenchée, l'appareil se met automatiquement en marche et reproduit les CD. Lorsque tous les CD du chargeur ont été reproduits, l'appareil s'arrête automatiquement. L'appareil commence par lire toutes les informations relatives au disque dans le chargeur de disques. Selon la méthode d'enregistrement, l'arrêt de l'opération peut demander quelques instants avant de s'arrêter si vous tournez la clé de contact sur OFF au cours de la lecture du disque. Il ne s'agit pas d'un dysfonctionnement.
- La lecture des types de disques suivants exige un délai de démarrage plus long :
  - disques comportant une hiérarchie de dossiers complexe ;
  - disques enregistrés en multisession ;
  - disques auxquels il est possible d'ajouter des données.
Nous vous recommandons de créer uniquement un ou deux arbres pour chaque disque.
- Selon l'état du disque, il est possible que l'appareil ne puisse pas procéder à la lecture. Pour plus de détails, reportez-vous à la section "Remarques sur les disques".
- Nombre maximal de dossiers dans un disque : 255\* (y compris le répertoire de base et les dossiers vides)
- Nombre maximal de fichiers dans un disque : 511\*
  - \* Nombre maximal de fichiers et de dossiers : 512
  - Lorsqu'un nom de fichier ou de dossier est composé d'un grand nombre de caractères, ce nombre peut être inférieur \* 512.

## Précautions à prendre lors de la lecture d'un disque enregistré en multisession

Si le disque est enregistré en multisession, il est possible que certaines données ne soient pas lues.

- Lorsque la première plage de la première session est composée de données CD audio : les données CD audio sont lues normalement ; les autres données sont également lues, mais aucun son n'est émis (la lecture des fichiers MP3 est impossible).
- Lorsque la première plage de la première session n'est pas composée de données CD audio :
  - Si le disque contient au moins un fichier MP3, seuls les fichiers MP3 sont lus. Les autres données, y compris les données CD audio, sont ignorées.
  - Si le disque ne contient aucun fichier MP3, le message "NO Music" s'affiche et aucun son n'est émis (les données CD audio ne sont pas reconnues).

### Remarques sur les codes de caractères

Les codes de caractères varient en fonction du lecteur principal. Pour plus de détails, reportez-vous au mode d'emploi du lecteur principal.

### Remarque sur l'affichage du temps de lecture

Dans les cas suivants, le temps de lecture écoulé peut ne pas s'afficher correctement :

- lors de la lecture d'un fichier MP3 VBR (à débit variable).
- pendant l'avance rapide ou le recul.

### Conseil

- Pour spécifier l'ordre de lecture de votre choix, entrez le numéro d'ordre (par ex., "01", "02") devant le nom du dossier ou du fichier, puis enregistrez le contenu sur un disque. (L'ordre varie selon le logiciel d'écriture.)
- Les noms de plages, d'albums ou de disques ou les numéros de plages supérieurs à 99 peuvent ne pas s'afficher correctement lorsque cet appareil est raccordé à un lecteur principal ne prenant pas en charge le format MP3. Il est recommandé d'utiliser un appareil principal prenant en charge le format MP3.

### À propos des tags ID3 version 2

Lors de la lecture d'un fichier MP3 contenant des tags ID3 ver.2, les incidents suivants peuvent survenir sans pour autant indiquer un dysfonctionnement :

- Lorsque vous sautez une section de tag ID3 ver.2 (au début de la plage), aucun son n'est émis. La durée de la section ignorée varie selon la capacité du tag ID3 ver.2. Exemple : À 64 ko, elle est égale à 2 secondes (avec RealJukebox).
- La durée de lecture écoulée affichée lorsque vous sautez une section de tag ID3 ver.2 est très imprécise. Pour les fichiers MP3 d'un débit binaire autre que 128 kbps, la durée de lecture affichée n'est pas précise.
- Si un fichier MP3 est créé avec un logiciel de conversion MP3 (ex. RealJukebox\*), un tag ID3 ver.2 est automatiquement mémorisé. \* RealJukebox est une marque déposée de RealNetworks, Inc.

Valable à partir de décembre 2001

## Remarques sur la manipulation des disques

Un disque sale ou défectueux peut provoquer des pertes de son à la lecture. Manipuler le disque comme suit pour obtenir un son optimal.

- Manipuler le disque par son arête et le maintenir dans un état propre, ne pas le toucher sur la surface non imprimée. (fig. [A])
- Ne pas coller de papier ou de bande adhésive sur le disque. (fig. [B])
- Conservez vos disques dans leurs boîtiers ou des pochettes de rangement lorsqu'ils ne sont pas utilisés.
- Ne pas laisser les disques en plein soleil ou près d'une source de chaleur comme des conduits d'air chaud. Ne pas laisser les disques dans une voiture garée en plein soleil car la température de l'habitacle risque d'augmenter considérablement. (fig. [C])
- Avant la lecture, essuyer les disques avec un chiffon de nettoyage en option. Essuyer chaque disque dans le sens des flèches. (fig. [D]) Ne pas utiliser de solvants tels que de la benzine, du diluant, des produits de nettoyage vendus dans le commerce ou de vaporisateurs anti-statiques destinés aux disques analogiques.
- Il n'est pas possible d'utiliser les disques de formes spéciales (en forme de cœur ou octogonaux, etc.) avec cet appareil. Vous risquez d'endommager l'appareil. N'essayez jamais de lire ces disques.

### Remarques sur les disques CD-R/CD-RW

- Cet appareil permet la lecture des CD-R (CD enregistrables) et des CD-RW (CD réinscriptibles) (fig. [E]).
- Certains CD-R/CD-RW (en fonction des conditions de l'équipement d'enregistrement ou du disque) risquent de ne pas être lus avec cet appareil.
- Vous ne pouvez pas lire de disques CD-R/CD-RW non finalisés\*.
- Un CD-R ou CD-RW auquel il est possible d'ajouter une session peut être lu.
- \* Un processus nécessaire à la lecture des disques CD-R/CD-RW enregistrés sur le lecteur de CD audio.

## 關於MP3檔案

MP3 (MPEG Audio Layer–3) 是一項用於壓縮聲音順序的標準技術和格式。可以將檔案壓縮到約原大小的1/10。超出人聽覺範圍的聲音被壓縮，但我們能聽到的聲音未被壓縮。

### 光碟附註

您可以播放錄製在CD-ROM、CD-R（可錄CD）和CD-RW（可重寫CD）上的MP3檔案。光碟必須是ISO9660\* 1 level 1或level 2格式，或是擴展格式中的Joliet或Romeo。您可以使用以Multi Session\*2錄製的光碟。

#### \*1 ISO 9660格式

這是用於CD-ROM上的檔案和資料夾邏輯格式的最普通國際標準。有幾個規格等級。在Level 1中，檔案名稱必須是8.3格式（名稱不能超過八個字符，擴展名 ".MP3" 中不能超過三個字符）和大寫字母。資料夾名稱不能超過八個字符。不能有超過八個資料夾嵌套等級。在Level 2中，檔案名稱最多可為31個字符（包括分隔符、點 "." 和擴展名 ".MP3" ）。每個資料夾最多能有8棵樹級。對於擴展格式中的Joliet或Romeo格式，請確認寫入軟體等的容量。

#### \*2 Multi Session

這是一種採用Track-At-Once方法，用於增加資料的錄製方法。普通CD的CD控制區開頭稱為Lead-in，控制區的結尾稱為Lead-out。Multi Session CD是一種具有多話路的CD，從Lead-in到Lead-out的每個分段被作為單獨的話路。CD-Extra：是一種在話路1中為包含音頻軌跡（音頻CD資料），且在話路2中包含資料軌跡的格式。Mixed CD：在一個話路中同時包含資料軌跡和音頻軌跡（音頻CD資料）的格式。

### 附註

- 如果MP3檔案和音頻資料混合在一個光碟中，則將播放首先被識別的檔案或資料。
- 除了ISO 9660 level 1格式，其它格式的資料夾名稱或檔案名稱可能無法正確顯示。
- 在命名時，必須在檔案名稱後加上擴展名 ".MP3" 。
- 如果將擴展名 ".MP3" 加在非MP3檔案後面，本裝置則無法正確識別該檔案，並將產生損壞揚聲器的雜音。

## MP3檔案的播放順序

資料夾和檔案的播放順序在上圖中顯示。

### 附註

- 不含有MP3檔案的資料夾被跳過。
- 如果您在光碟匣中所有CD上的資訊都被讀取完之前播放MP3檔案，然後將點火鑰匙開關設定為“關”或選擇另一個音源，則當恢復播放時可能會播放當前軌跡的開頭部分。
- 在播放MP3檔案之前，本裝置先讀取光碟資訊（資料夾和檔案編號，或資料所在位置）。因此，如要開始播放複雜檔案架構的光碟，則可能要花費較長時間。
- 當把唱碟匣裝入 CD 換碟器或按下了連接著的汽車音響的重調按鈕時，機器即將自動被激活（打開），並讀取 CD 上的資料。當讀完唱碟匣中所有 CD 的資料時，機器即將自動停止操作。本裝置首先讀取光碟匣中的所有光碟資訊。視錄製方法而定，在讀取光碟時，即使將點火鑰匙關到OFF，也將可能持續一些時間操作才會停止。此屬正常情況，並非故障。
- 以下光碟要花費較長時間才能開始播放。
  - 以複雜的樹形架構錄製的光碟。
  - 以Multi Session錄製的光碟。
  - 能增加資料的光碟。建議您對每個光碟僅製作一個或二個樹級。
- 視光碟的情況而定，有的可能無法播放。詳細說明，請參見“光碟附註”。
- 一整光碟內最多資料夾數量 : 255\*（包括根目錄資料夾和空資料夾）
- 一整光碟內最多檔案數量 : 511\*
  - \* 檔案和資料夾的最多數量 : 512
  - 當一個檔案／資料夾的名稱含有許多字符，則數量可能會低於512。

### 播放以Multi Session錄製的光碟時的警示

在以Multi Session錄製的光碟中，某些資料可能無法播放。

- 當第一話路的第一個軌跡是音頻CD資料 : 音頻CD資料正常播放；其他資料無聲播放。（MP3檔案無法播放。）
- 當第一話路的第一個軌跡不是音頻CD資料 :
  - 如果光碟中有MP3檔案，只播放MP3檔案；其他資料（包括音頻CD資料）被跳過。
  - 如果光碟中沒有MP3檔案，則顯示“No Music”且不播放任何內容。（音頻CD資料未識別。）

### 關於字元碼

字元碼將根據主機的不同而改變。

### 關於播放時間的顯示

在下列情況中，已播放時間可能顯示不準確。

- 當播放VBR（不確定比特速率）MP3檔案時。
- 正在快進／後退。

### 要領

- 若要指定所需要的播放順序，在命名資料夾或檔案之前，先按照數字（例如：“01”，“02”）輸入順序，然後將內容錄製在光碟上。（視寫入軟體而定，順序將有所不同。）
- 當本裝置連接到不支援MP3的主機上時，可能無法準確顯示光碟／專輯／軌跡名稱或超過99的軌跡號。建議使用支援MP3的主機。

### 關於ID3標記版本2

在播放含有ID3標記版本2的MP3檔案時會發生以下情況，但這都不是故障：

- 當正在跳過ID3標記版本2部分時（位於樂曲的開頭）沒有聲音輸出。跳躍時間視ID3標本2容量將發生變化。例如：64千字節的時間為2秒鐘（使用RealJukebox）。
- 當正在跳過ID3標記版本2時所顯示的用時不是準確的時間。對於除128kbps比特速率之外的MP3檔案，當播放時，其時間不能準確顯示。
- 當MP3檔案是由MP3轉換軟體（如：RealJukebox\*）所建立，ID3標記版本2將被自動寫入。
  - \* RealJukebox是RealNetworks公司的註冊商標。”

自2001年12月起

## 持拿光碟須知

唱碟髒了或變形，可能會在放音時發生聲音脫落現象。為保持良好的音質條件，請按照如下所述正確地拿唱碟。

- 請拿唱碟邊緣以保持唱碟清潔，不要接觸沒貼標籤的唱碟面。（圖 [A]）
- 不要在唱碟上貼紙條或黏膠帶。（圖 [B]）
- 在不使用光碟時，請將其放在光碟盒或光碟匣內。不要讓唱碟暴露於直射陽光下或熱氣管等熱源旁邊，也不要將唱碟放在停機駐在炎陽下的汽車裡，因為那裡會升到很高的溫度。（圖 [C]）
- 放音前，請用選購件的清潔用布擦拭乾淨唱碟，如圖所示應沿箭頭所指方向擦拭。（圖 [D]）不可利用油精，稀疏劑，市售的清潔劑或留聲機唱片用的抗靜電噴射劑等溶劑清潔唱碟。
- 特殊形狀的光碟（心形光碟，八邊形光碟等）不能在本機上播放。否則會損壞本機。切勿使用此類光碟。

### CD-R/CD-RW 唱碟須知

- 可以在本裝置上播放CD-R/CD-RW（可錄CD／可重寫CD）（圖[E]）。
- 某些 CD-R/CD-RW（取決於錄音時所用的設備或唱碟本身的情況）不能用本唱機播放。
- 未完成的CD-R/CD-RW 是不能播放的\*。
- 可以播放能添加一個話路的CD-R/CD-RW光碟。
- \* 在音頻 CD 播放機上播放已錄音的 CD-R/CD-RW 唱碟所必需的程序。

# Installation

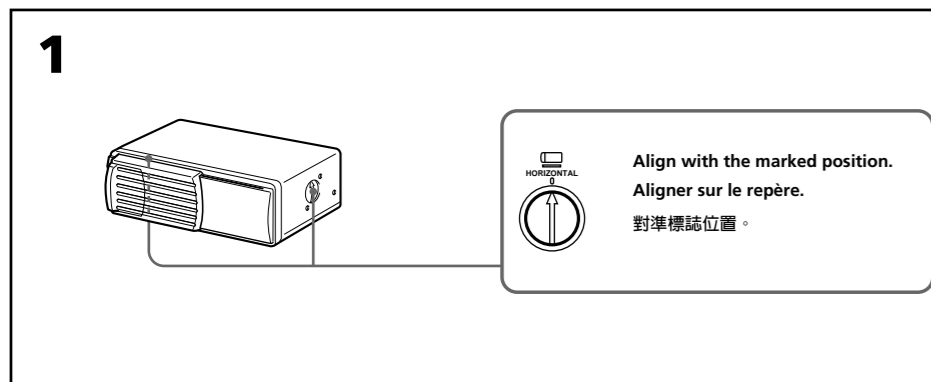
## Precautions

- Choose the mounting location carefully, observing the following:
  - The unit is not subject to temperatures exceeding 55°C (131°F) (such as in a car parked in direct sunlight).
  - The unit is not subject to direct sunlight.
  - The unit is not near heat sources (such as heaters).
  - The unit is not exposed to rain or moisture.
  - The unit is not exposed to excessive dust or dirt.
  - The unit is not subject to excessive vibration.
  - The fuel tank should not be damaged by the tapping screws.
  - There should be no wire harnesses or pipes under the place where you are going to install the unit.
  - The spare tire, tools or other equipment in or under the trunk should not be interfered with or damaged by the screws or the unit itself.
- Be sure to use only the supplied mounting hardware for a safe and secure installation.
- Use only the supplied screws.
- Make holes of  $\phi 3.5$  mm ( $\frac{7}{32}$  in.) only after making sure there is nothing on the other side of the mounting surface.

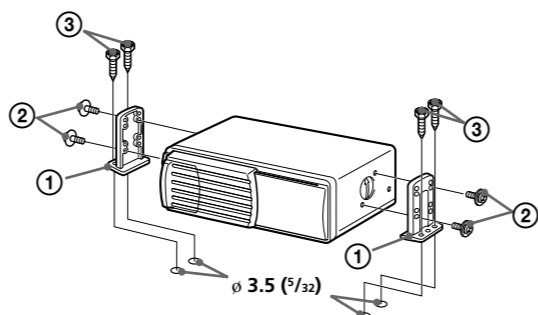
## How to install the unit

The brackets ① provide two positions for mounting, high and low. Use the appropriate screw holes according to your preference.

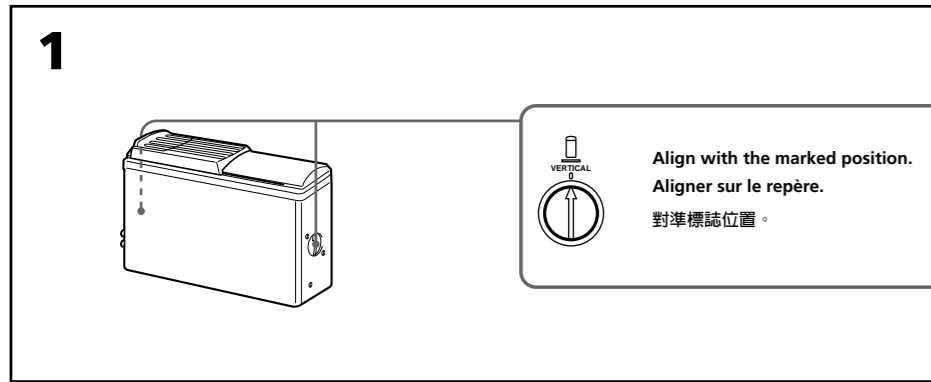
### Horizontal installation

**2**

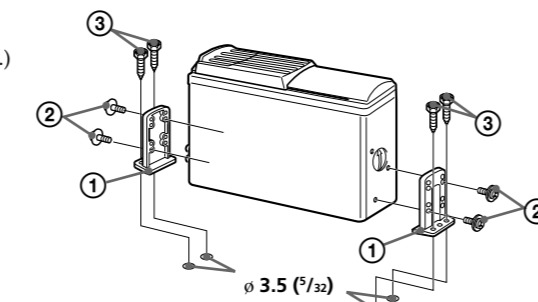
Unit: mm (in.)  
Unité : mm (po.)  
單位 : mm



### Vertical installation

**2**

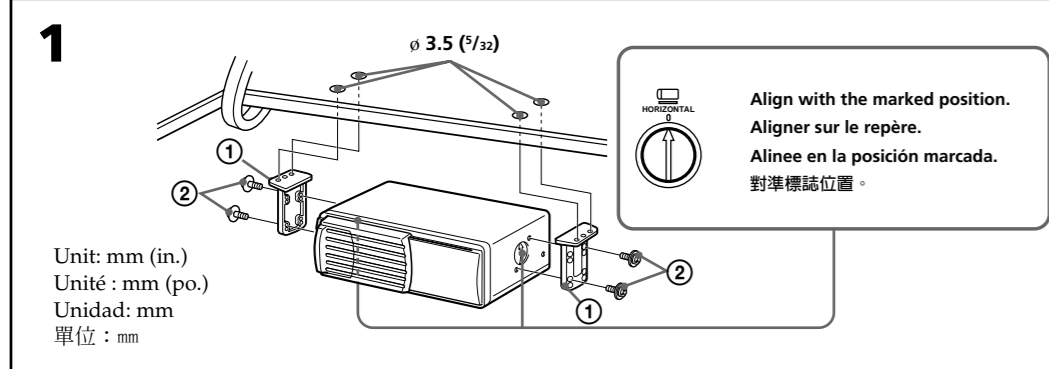
Unit: mm (in.)  
Unité : mm (po.)  
單位 : mm



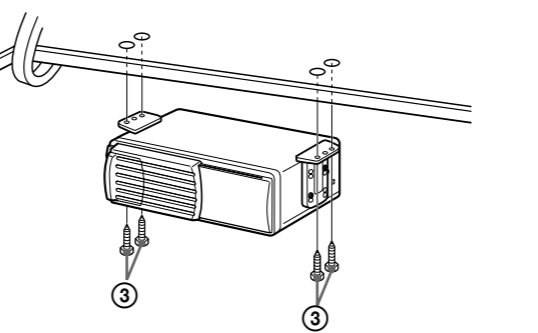
### Suspended installation

When the unit is to be installed under the rear tray etc. in the trunk compartment, make sure the following provisions are made.

- Choose the mounting location carefully so that the unit can be installed horizontally.
- Make sure the unit does not hinder the movement of the torsion bar spring etc. of the trunk lid.

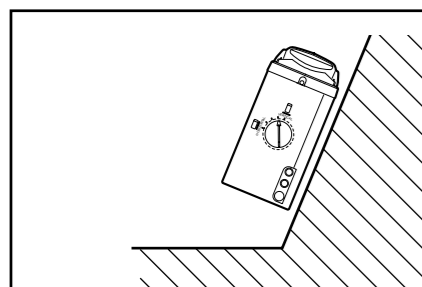
**2**

Unit: mm (in.)  
Unité : mm (po.)  
Unidad: mm  
單位 : mm



### Inclined installation

After installing the unit, align the dials with one of the marks so that the arrows are as vertical as possible.



**Note**  
Be sure to align the left and right dials with the same mark.

# Installation

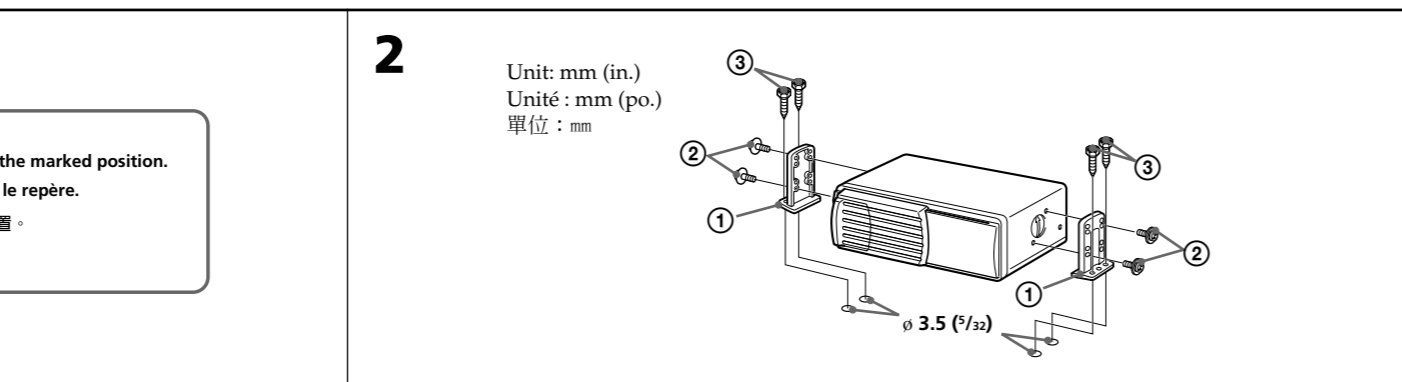
## Précautions

- Choisir l'emplacement de montage en tenant compte des observations suivantes :
  - Appareil non soumis à des températures dépassant 55°C (131°F) (comme dans une voiture garée au soleil).
  - Appareil non soumis au rayonnement solaire direct.
  - Appareil à l'écart de sources de chaleur (comme des radiateurs).
  - Appareil non exposé à la pluie ou à l'humidité.
  - Appareil non exposé à des poussières ou à des souillures en excès.
  - Appareil non exposé à des vibrations excessives.
  - Vérifier que le réservoir d'essence ne risque pas d'être endommagé par les vis taraudeuses.
  - Il ne doit pas y avoir de faisceau de fils ou de tuyaux à l'emplacement du montage.
  - Vérifier que l'appareil ou les vis ne risquent pas d'endommager ou de gêner la roue de secours, les outils, ou autre objet dans le coffre.
- Pour garantir la sécurité de l'installation, utiliser uniquement le matériel de montage fourni.
- Utilisez uniquement les vis fournies.
- Ne percez les trous de 3,5 mm ( $\frac{7}{32}$  po.) qu'après vous être assuré qu'il n'y avait rien de l'autre côté de la surface de montage.

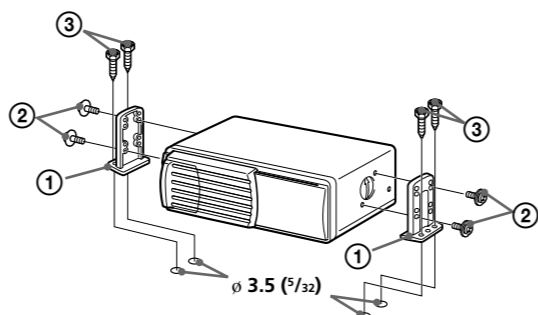
## Installation de l'appareil

Les supports ① offrent deux positions de montage, haut et bas. Utilisez les trous de vissage appropriés en fonction de vos préférences.

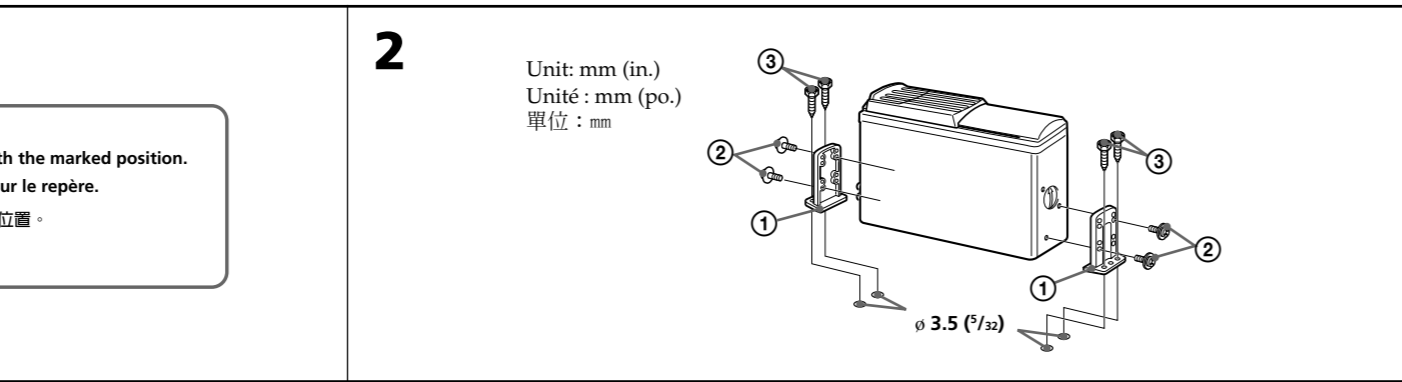
### Installation horizontale

**2**

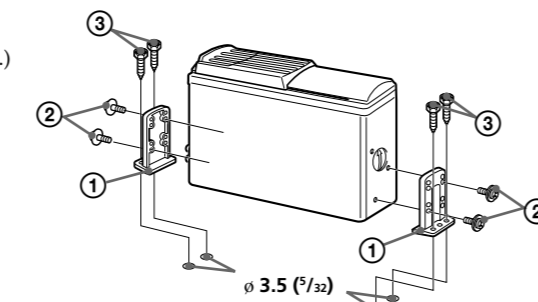
Unit: mm (in.)  
Unité : mm (po.)  
單位 : mm



### Installation verticale

**2**

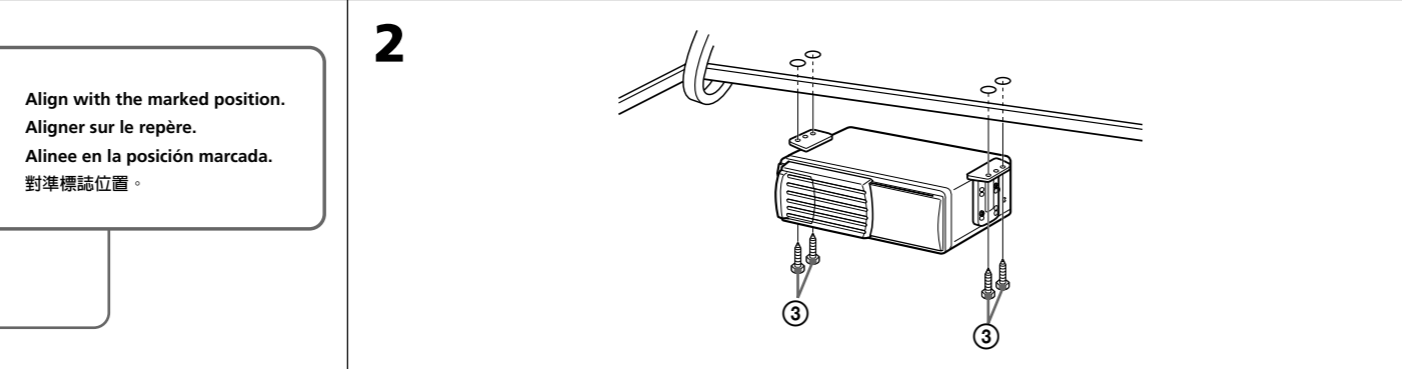
Unit: mm (in.)  
Unité : mm (po.)  
單位 : mm



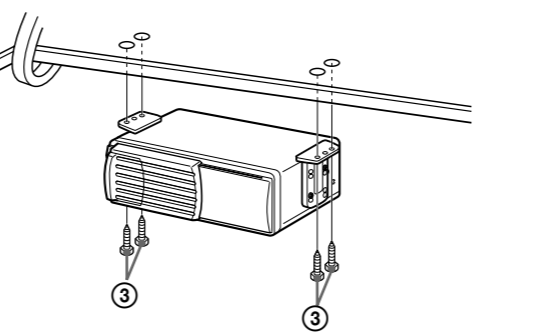
### Installation suspendue

Si l'appareil doit être installé sous la plage arrière dans le coffre, par exemple, observer les précautions suivantes.

- Bien choisir l'emplacement pour pouvoir installer l'appareil à l'horizontale.
- Vérifier que l'appareil ne gêne pas les mouvements du ressort de fermeture du coffre, entre autres.

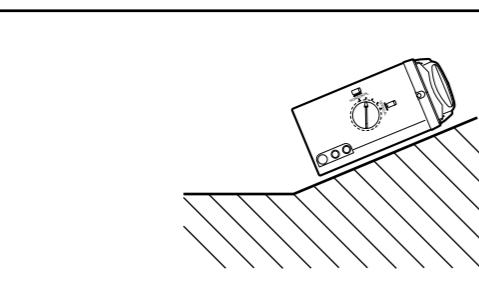
**2**

Unit: mm (in.)  
Unité : mm (po.)  
Unidad: mm  
單位 : mm



### Installation inclinée

Après avoir installé l'appareil, alignez les disques sur un repère de façon à ce que les flèches soient dans la position la plus verticale possible.



**Remarque**  
Veillez à aligner les disques gauche et droite sur le même repère.

# 安裝

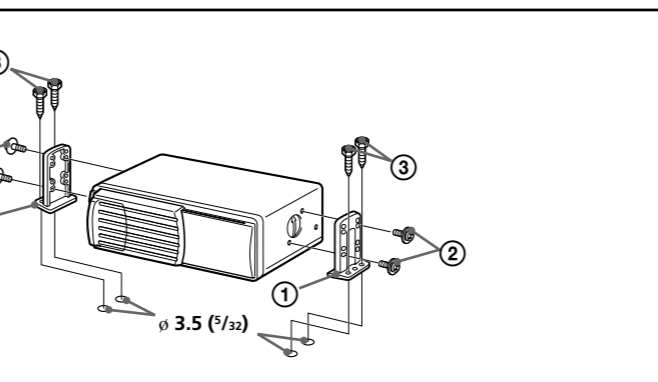
## 使用前須注意

- 請參照下列各項仔細選擇安裝位置：
  - 機器不能遭受超過 55°C 的溫度（例如停駐於炎陽下的汽車內）。
  - 機器不可直接照射到陽光。
  - 機器不可靠近熱源（例如加熱器等）。
  - 不要讓機器暴露雨中或潮濕處。
  - 不要把機器放在多塵或污穢的地方。
  - 別讓機器受到強烈的震動。
  - 小心別讓攻絲螺釘鑽傷了燃油箱。
  - 注意安裝機器位置下面不要有電線束或配管。
  - 行李箱中或下面的備胎，工具或其他設備的取存不可受到機器的安裝螺釘或機器本身的干擾或損傷。
- 為了安裝確實和安全，請限使用附帶的安裝五金件。
- 限使用附帶的螺絲釘。
- 務請在確認安裝面的另一個沒有任何其他物品之後開  $\phi 3.5$  mm 的孔。

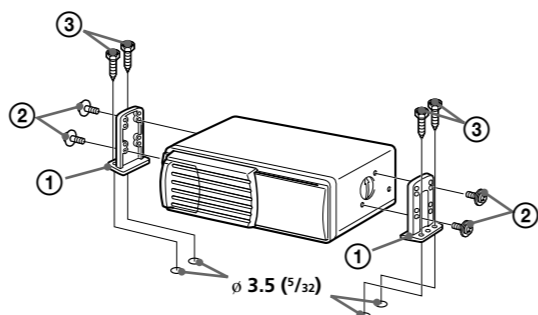
## 如何安裝機器

支架①提供了兩種安裝位置，高和低。根據您的考慮，請使用合適的螺絲。

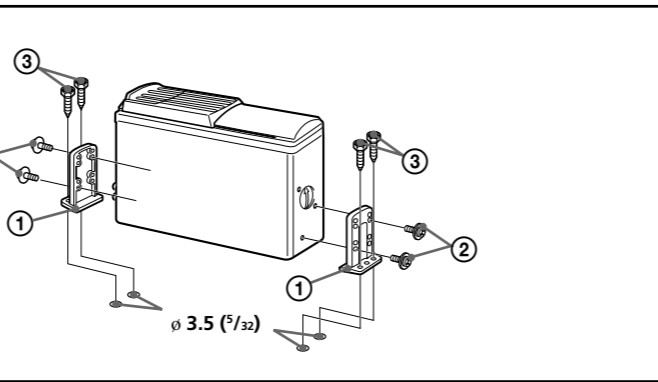
### 水平安裝

**2**

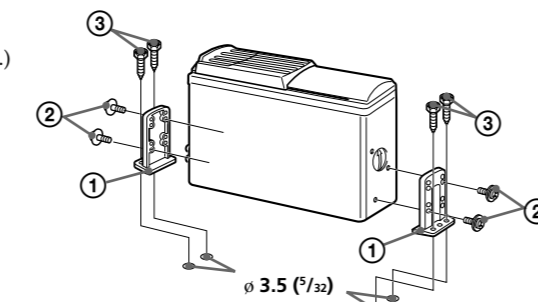
Unit: mm (in.)  
Unité : mm (po.)  
單位 : mm



### 豎直安裝

**2**

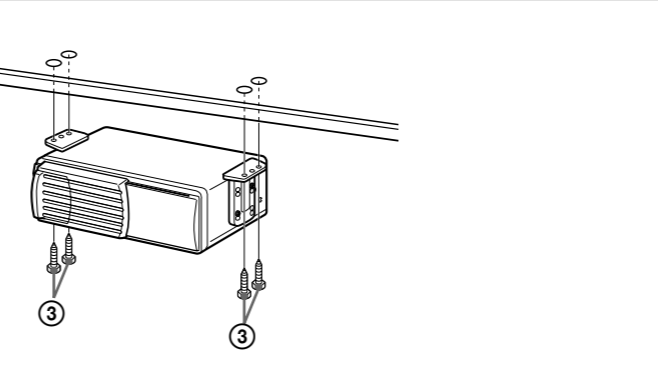
Unit: mm (in.)  
Unité : mm (po.)  
單位 : mm



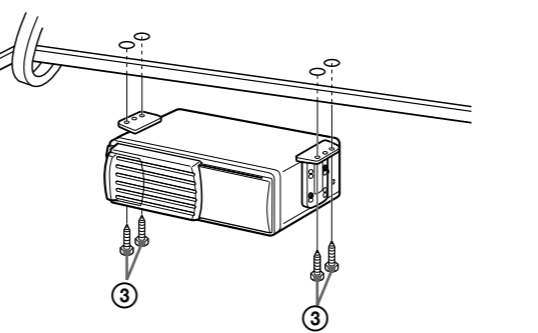
### 懸掛安裝

機器安裝在後行李箱托架下面等位置時，必須作好如下的準備。

- 小心地選擇能水平地安裝機器的位置。
- 確認機器是否不會阻礙後行李箱蓋的扭桿彈簧等。

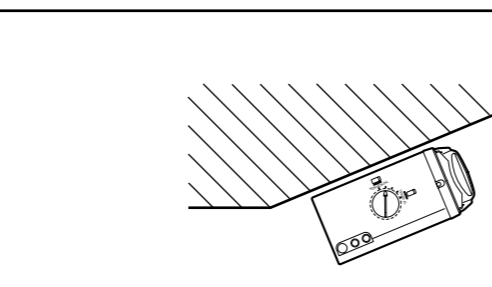
**2**

Unit: mm (in.)  
Unité : mm (po.)  
Unidad: mm  
單位 : mm



### 傾斜安裝

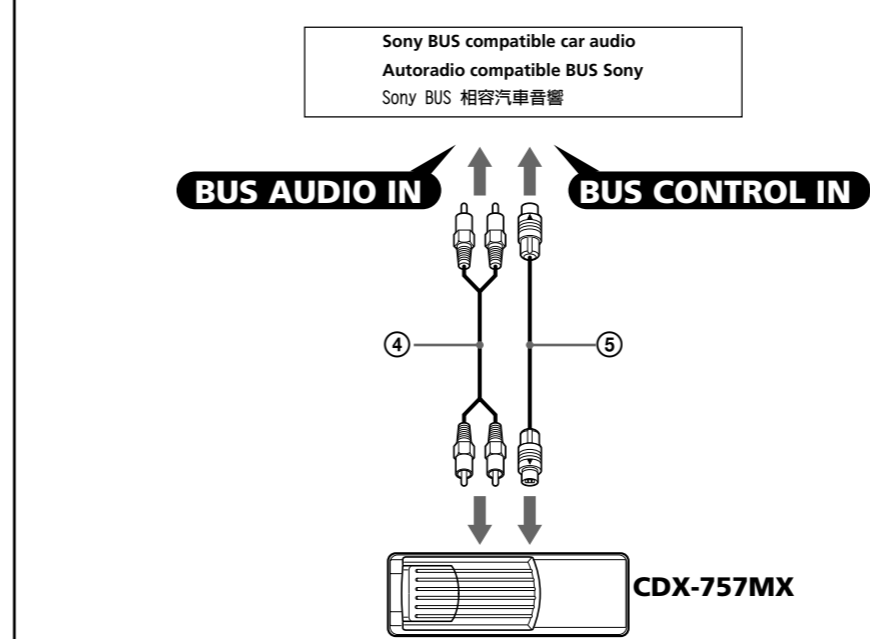
安裝好機器之後，請旋轉度盤對準標誌中的一個使箭頭盡可能呈垂直方向的位置。



**註**  
左、右度盤一定都要對準同一標誌。

# Connections/Connexions/ 連接

## Connection diagram/Schéma de connexion/接線圖



For details, refer to the Installation/Connections manual of the car audio. Pour plus de détails, consulter le manuel d'installation/connexions de l'autoradio.

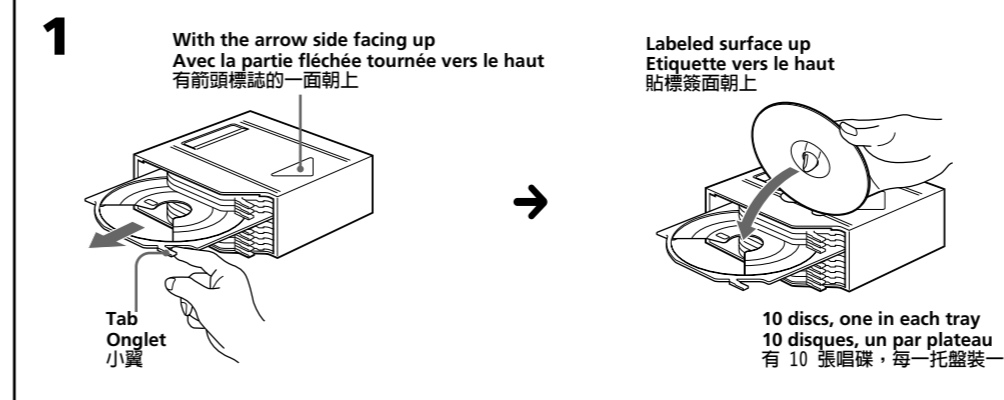
詳細請參考汽車音響的安裝/連接說明。

**Note**  
For connecting two or more changers, the XA-C30 source selector (optional) is necessary.

**Remarque**  
Pour raccorder deux ou plusieurs changeurs, le sélecteur de source XA-C30 (en option) est nécessaire.

**註**  
要連接兩個或兩個以上的換碟器時，您需要利用 XA-C30 聲源選擇器（選購件）。

# Inserting a disc/Insertion d'un disque/裝入一張唱碟



**Note**  
You cannot play 8cm (3 in.) CDs.

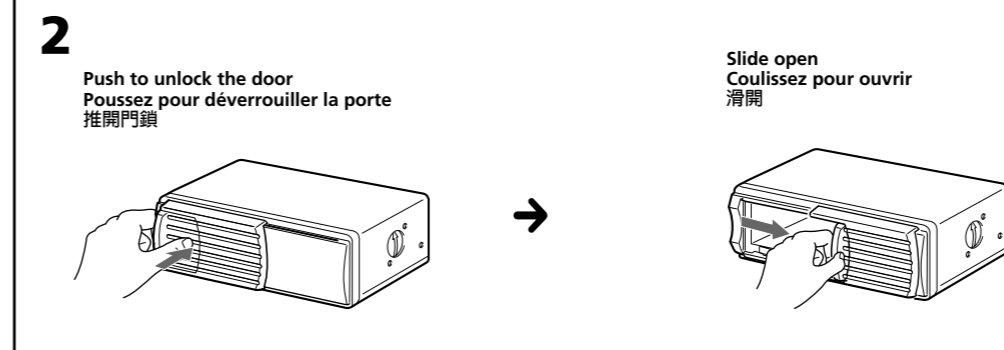
**Remarque**  
Vous ne pouvez pas écouter de CD de 8 cm (3po.) sur ce lecteur.

**註**  
您不能播放 8cm 規格的 CD。

Use the supplied disc magazine or the disc magazine XA-250. The disc magazine XA-108/XA-350 can not be used with this unit. If you use any other magazine, it may cause a malfunction.

Utilisez le magasin à disques fourni ou un magasin à disques XA-250. Vous ne pouvez pas utiliser de magasin à disques XA-108/XA-350 avec cet appareil. L'utilisation d'un autre type de magasin à disques risque de provoquer un dysfonctionnement.

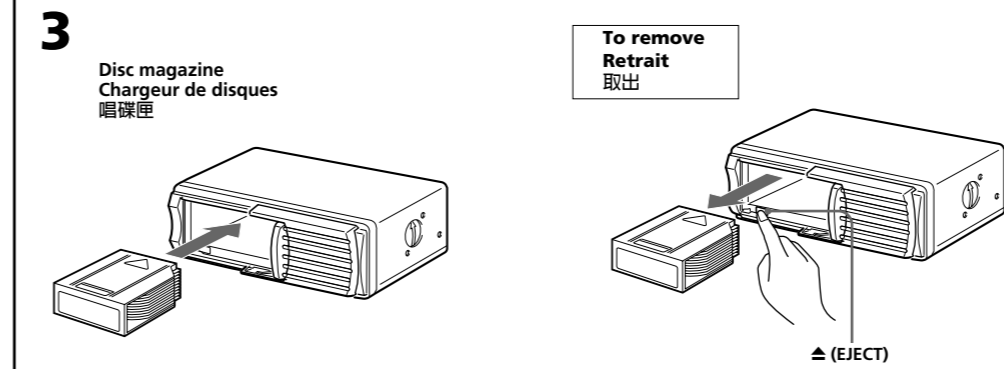
請使用附帶的唱碟匣或唱碟匣 XA-250。唱碟匣 XA-108/XA-350 是不能用於本機的。您如果隨便使用其他唱碟匣，將可能引起故障的。



**Note**  
To prevent injury, do not insert your hand in the CD changer.

**Remarque**  
Pour éviter toute blessure, ne pas introduire la main dans le changeur de CD.

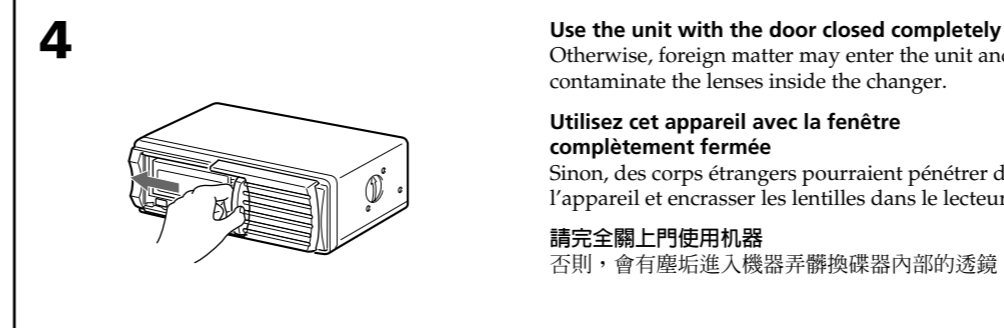
**註**  
請勿將手伸進 CD 換碟機內，以防傷害。



**If the disc magazine does not lock properly**  
Take out the magazine, and after pressing the  $\blacktriangle$  (EJECT) button, re-insert it.

**Si vous ne pouvez pas fermer le chargeur de disques**  
Sortez le chargeur et, après avoir appuyé sur la touche  $\blacktriangle$  (EJECT), réinsérez-le.

如果唱碟匣沒有鎖定妥當，請取出唱碟匣，按下  $\blacktriangle$  (EJECT) 按鈕後再將它裝進去。



**Note**  
When a disc magazine is inserted into the CD changer or the reset button of the connected car audio is pressed, the unit will automatically be activated and read the information on the CDs. When the information on all the CDs in the disc magazine has been read, the unit will automatically stop operation. The unit first reads all of the disc information in the disc magazine. Depending on the recording method, it may take some time to stop the operation even if you set the ignition key to OFF during disc reading. This is not a malfunction.

**Remarque**  
Quand un chargeur de disques est inséré dans le changeur de CD ou si la touche de réinitialisation de l'autoradio raccordé est enclenchée, l'appareil se met automatiquement en marche et reproduit les CD. Lorsque tous les CD du chargeur ont été reproduits, l'appareil s'arrête automatiquement. L'appareil commence par lire toutes les informations relatives au disque dans le chargeur de disque. Selon la méthode d'enregistrement, l'arrêt de l'opération peut demander quelques instants avant de s'arrêter si vous tournez la clé de contact sur OFF au cours de la lecture du disque. Il ne s'agit pas d'un dysfonctionnement.

**註**  
當把唱碟匣裝入 CD 換碟器或按下了連接著的汽車音響的重調按鈕時，機器即將自動被激活（打開）並讀取 CD 上的資料。當讀完唱碟匣中所有 CD 上的資料時，機器即將自動停止操作。本裝置首先讀取光碟匣中的所有光碟資訊。視錄製方法而定，在讀取光碟時，即使將點火鑰匙轉到 OFF，也將可能持續一些時間操作才會停止。此屬正常情況，並非故障。

## Notes on the disc magazine

- Do not leave the disc magazine in locations with high temperatures and high humidity such as on a car dashboard or in the rear window where the disc magazine will be subjected to direct sunlight.
- Do not place more than one disc at a time onto one tray, otherwise the changer and the discs may be damaged.
- Do not drop the disc magazine or subject it to a violent shock.

**When the tray comes out**  
Normally, the trays will not come out of the magazine. However, if they are pulled out of the magazine, it is easy to re-insert them.

**Lorsque le plateau sort**  
En principe, les plateaux ne sortent pas du chargeur. Toutefois, s'ils sortent du chargeur, il est facile de les réinsérer.

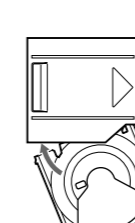
**脫出托盤時**  
通常，托盤是不會從唱碟匣中脫落的。但是萬一被拉出脫離唱碟匣，您可以很簡單地再把它裝插回去。

## Remarques sur le chargeur de disques

- Ne pas laisser le chargeur de disques dans un endroit très chaud ou très humide comme sur le tableau de bord ou sur la plage arrière de la voiture où il serait en plein soleil.
- Ne pas insérer plus d'un disque à la fois sur le plateau, sinon le changeur et les disques risquent d'être endommagés.
- Ne pas laisser tomber le chargeur de disques ni le cogner.

## 唱碟匣須知

- 不要把唱碟匣放置在高溫、高濕的地方。例如放在汽車儀錶板上或車後窗上等唱碟匣會直接照射到陽光的地方。
- 一個托盤上不要同時裝放一張以上的唱碟。否則，可能會損壞換碟器和唱碟。
- 別讓唱碟匣掉落地上或受到強烈的衝擊。



With the cut-away portion of the tray facing you, insert the right corner of the tray in the slot, then push in the left corner until it clicks.

**Note**  
Do not insert the tray upside down or in the wrong direction.

**Avec la portion découpée du plateau vous faisant face, insérez le coin droit du plateau dans la fente, puis enfoncez le coin gauche jusqu'au clic.**

**Remarque**  
Ne pas insérer le plateau à l'envers ou dans le mauvais sens.

讓托盤有缺口的一邊朝著自己方向將托盤右角插入槽中，然後壓入左角至聽到卡搭聲響。

**註**  
裝插托盤時，切勿插反了面或插錯方向。