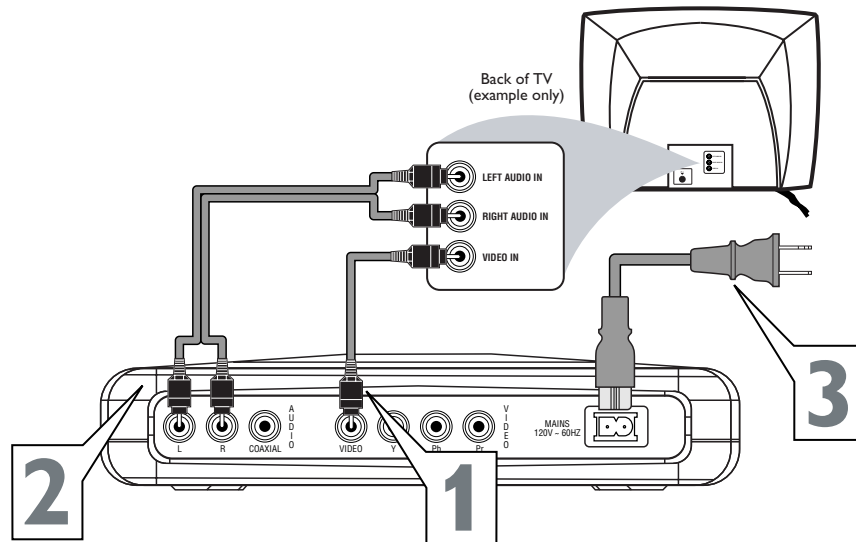


Quick-Use Guide

There are many ways to connect your new DVD Player to your TV.
This Quick-Use Guide shows a common connection using the supplied cables.
Other options are explained in the accompanying owner's manual.



- 1** Connect the supplied video cable (yellow) to the DVD Player's yellow VIDEO Out jack and to the VIDEO IN jack on your TV.
- 2** Connect the supplied audio cable (white and red) to the DVD Player's white/red AUDIO Out (left/right) jacks and to the left/right AUDIO IN jacks on the TV. Match the cable colors to the jack colors.
- 3** Connect the supplied power cord to the MAINS (AC Power) jack on the rear of the DVD Player.
Plug the power cords of the Player and the TV into a power outlet.
- 4** Press **POWER** on the Player to turn it on.
- 5** Turn on the TV. Set it to the correct Video In channel.
Such channels may be called AUX or AUXILIARY IN, AUDIO/VIDEO or A/V IN, EXT1 or EXT2 or External In, etc. Or, your TV's remote control may have a button or switch that selects a Video In mode. See your TV manual for details. Or, select your lowest TV channel (01 or 02) and change TV channels down until you see the blue DVD screen on the TV.

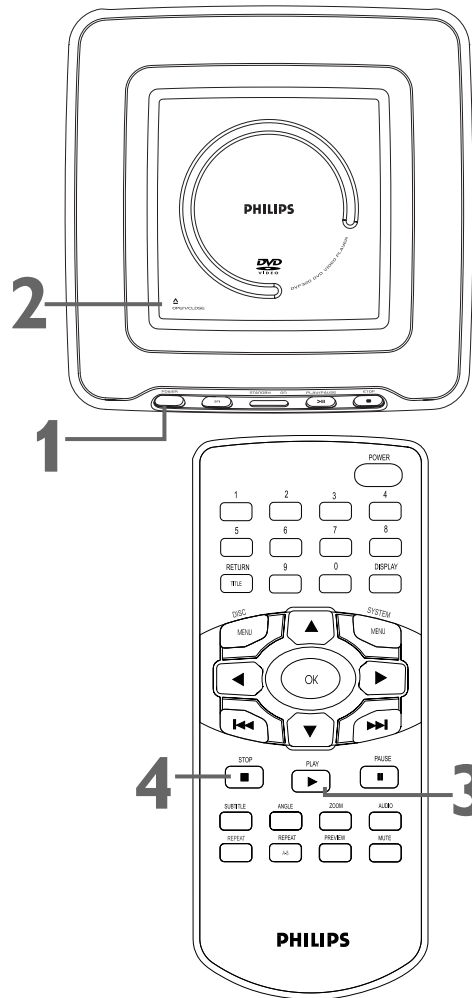
If your TV has a single Antenna In or RF In jack, you will need an RF modulator. That will enable you to watch the DVD Player on your TV at channel 3 or 4 (as with a VCR). See the owner's manual for details.



PHILIPS

Quick-Use Guide

- 1 Press POWER on the Player to turn it on. Turn on your TV. Set it to the correct Video In channel.** You should see the blue DVD screen on the TV.
- 2 Press OPEN/CLOSE** to open the Disc compartment on top of the Player. **Place the Disc on the Disc hub**, with the Disc label facing up. **Press the lid down to close it.**
- 3 Play may start automatically. If not, press PLAY.** Or, a DVD's Disc menu may appear. Press **▲, ▼, ◀, or ▶** to select an item, then press **OK**. Or, follow the instructions in the menu to start play.
- 4 To stop play, press STOP.**



Playable Discs

DVDs must be labeled for **ALL regions** or **Region 1** in order to play on this Player. If one of these logos appears on your DVD or its case, it should play.



Recordings are made according to a color system. Make sure the Discs you play in this DVD Player were recorded in **NTSC or PAL** and your TV is NTSC or PAL compatible. Look for the color system on the DVD or its case.