

INSTALLATION INSTRUCTIONS 600 CFM AND 1200 CFM INTERNAL BLOWERS FOR RANGE HOODS

INSTRUCTIONS D'INSTALLATION VENTILATEURS INTERNES AVEC DÉBIT DE 600 PI³/MIN ET 1200 PI³/MIN POUR HOTTES D'ÉVACUATION

Table of Contents/Table des matières

RANGE HOOD SAFETY	1	SÉCURITÉ DE LA HOTTE DE CUISINIÈRE	7
INSTALLATION REQUIREMENTS	3	EXIGENCES D'INSTALLATION	9
Tools and Parts	3	Outils et pièces.....	9
INSTALLATION INSTRUCTIONS	3	INSTRUCTIONS D'INSTALLATION	9
Install Range Hood Blower Motor.....	4	Installation du moteur du ventilateur de la hotte	10
ASSISTANCE OR SERVICE	5	ASSISTANCE OU SERVICE	11
In the U.S.A.....	5	Au Canada.....	11
In Canada	5	GARANTIE	12
WARRANTY	6		

RANGE HOOD SAFETY

Your safety and the safety of others are very important.

We have provided many important safety messages in this manual and on your appliance. Always read and obey all safety messages.



This is the safety alert symbol.

This symbol alerts you to potential hazards that can kill or hurt you and others.

All safety messages will follow the safety alert symbol and either the word "DANGER" or "WARNING."

These words mean:

⚠ DANGER

You can be killed or seriously injured if you don't immediately follow instructions.

⚠ WARNING

You can be killed or seriously injured if you don't follow instructions.

All safety messages will tell you what the potential hazard is, tell you how to reduce the chance of injury, and tell you what can happen if the instructions are not followed.

**IMPORTANT: READ AND SAVE THESE INSTRUCTIONS.
FOR RESIDENTIAL USE ONLY.**

**IMPORTANT : LIRE ET CONSERVER CES INSTRUCTIONS.
POUR UTILISATION RÉSIDENIELLE UNIQUEMENT.**

IMPORTANT SAFETY INSTRUCTIONS

WARNING: TO REDUCE THE RISK OF FIRE, ELECTRIC SHOCK, OR INJURY TO PERSONS, OBSERVE THE FOLLOWING:

- Use this unit only in the manner intended by the manufacturer. If you have questions, contact the manufacturer.
- Before servicing or cleaning the unit, switch power off at service panel and lock the service disconnecting means to prevent power from being switched on accidentally. When the service disconnecting means cannot be locked, securely fasten a prominent warning device, such as a tag, to the service panel.
- Installation work and electrical wiring must be done by qualified person(s) in accordance with all applicable codes and standards, including fire-rated construction.
- Do not operate any fan with a damaged cord or plug. Discard fan or return to an authorized service facility for examination and/or repair.
- Sufficient air is needed for proper combustion and exhausting of gases through the flue (chimney) of fuel burning equipment to prevent backdrafting. Follow the heating equipment manufacturer's guideline and safety standards such as those published by the National Fire Protection Association (NFPA), the American Society for Heating, Refrigeration and Air Conditioning Engineers (ASHRAE), and the local code authorities.
- When cutting or drilling into wall or ceiling; do not damage electrical wiring and other utilities.
- Ducted fans must always be vented outdoors.

CAUTION: For general ventilating use only. Do not use to exhaust hazardous or explosive materials and vapors.

CAUTION: To reduce risk of fire and to properly exhaust air, be sure to duct air outside - do not vent exhaust air into spaces within walls or ceilings, attics or into crawl spaces, or garages.

WARNING: TO REDUCE THE RISK OF FIRE, USE ONLY METAL DUCTWORK.

WARNING: TO REDUCE THE RISK OF A RANGE TOP GREASE FIRE:

- Never leave surface units unattended at high settings. Boilovers cause smoking and greasy spillovers that may ignite. Heat oils slowly on low or medium settings.
- Always turn hood ON when cooking at high heat or when flambeing food (i.e. Crepes Suzette, Cherries Jubilee, Peppercorn Beef Flambé).
- Clean ventilating fans frequently. Grease should not be allowed to accumulate on fan or filter.
- Use proper pan size. Always use cookware appropriate for the size of the surface element.

WARNING: TO REDUCE THE RISK OF INJURY TO PERSONS IN THE EVENT OF A RANGE TOP GREASE FIRE, OBSERVE THE FOLLOWING:^a

- SMOTHER FLAMES with a close fitting lid, cookie sheet, or metal tray, then turn off the burner. BE CAREFUL TO PREVENT BURNS. If the flames do not go out immediately, EVACUATE AND CALL THE FIRE DEPARTMENT.
- NEVER PICK UP A FLAMING PAN - you may be burned.
- DO NOT USE WATER, including wet dishcloths or towels - a violent steam explosion will result.
- Use an extinguisher ONLY if:
 - You know you have a class ABC extinguisher, and you already know how to operate it.
 - The fire is small and contained in the area where it started.
 - The fire department is being called.
 - You can fight the fire with your back to an exit.

^aBased on "Kitchen Fire Safety Tips" published by NFPA.

- **WARNING:** To reduce the risk of fire or electrical shock, do not use this fan with any solid-state speed control device.

READ AND SAVE THESE INSTRUCTIONS

INSTALLATION REQUIREMENTS

Tools and Parts

Gather the required tools and parts before starting installation. Read and follow the instructions provided with any tools listed here.

Tools needed

- Phillips screwdriver

Parts supplied (600 CFM models)

Remove parts from packages. Check that all parts are included.

- Blower assembly
- Motor support bracket
- Motor spring clip
- 2 - 6 x 1 mm nuts
- 5 - 4.2 x 8 mm screws
- 2 - 6 x 16 mm screws
- 2 - 6.4 x 11 mm lock washers
- T-20 Torx[†] adapter

Parts supplied (1200 CFM models)

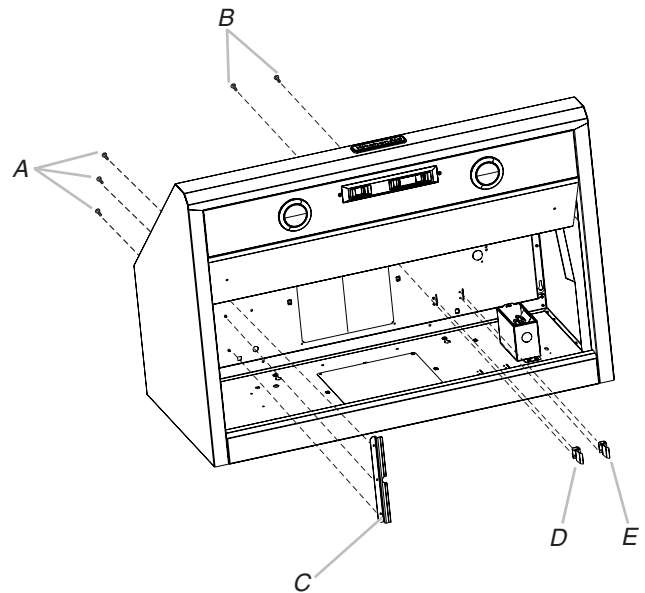
Remove parts from packages. Check that all parts are included.

- Blower assembly
- Motor support bracket
- Motor spring clip
- 5 - 6 x 1 mm nuts
- 5 - 4.2 x 8 mm screws
- 5 - 6 x 16 mm screws
- 5 - 6.4 x 11 mm lock washers
- T-20 Torx[†] adapter

INSTALLATION INSTRUCTIONS

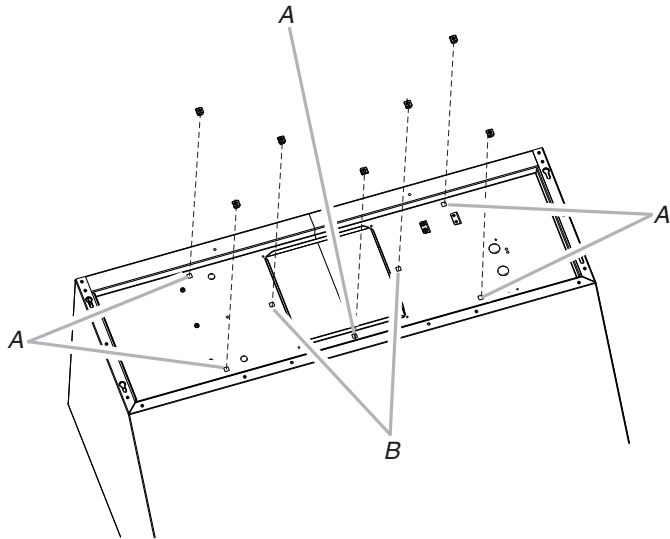
IMPORTANT: Perform steps 1-4 before mounting the range hood.

1. Remove grease filters from range hood. See the "Range Hood Care" section in the Use and Care Guide.
2. Install the motor support bracket using three 4.2 x 8 mm screws. Screw bracket to the inside top or back (alternate location on some models), toward the left side of the range hood.
3. Install motor spring clip using two 4.2 x 8 mm screws. Screw spring clip to the inside top or back (alternate location on some models) of the range hood at the proper location for the selected motor system. Slide the mounting tab of the spring clip through the slot in the panel and secure with the screws. Use the inside set of mounting holes for the single motor system. Use the outside set of mounting holes for the dual motor system.



- A. 4.2 x 8 mm screws (3) for motor support bracket
- B. 4.2 x 8 mm screws (2) for motor spring clip
- C. Motor support bracket
- D. Motor spring clip (single motor assembly location)
- E. Motor spring clip (dual motor assembly location)

4. Install the 6 mm nuts to the outside top or outside back (alternate location on some models) of the range hood at the proper location for the selected motor system.
 - Two 6 mm nuts are required for the single motor system. Clip nuts into the small square notches located at the left and right end of the square vent opening.
 - Five 6 mm nuts are required for the dual motor system. Clip nuts into the small square notches, one located in the front of the square vent opening and the other four located at the left and right ends of the square vent opening.



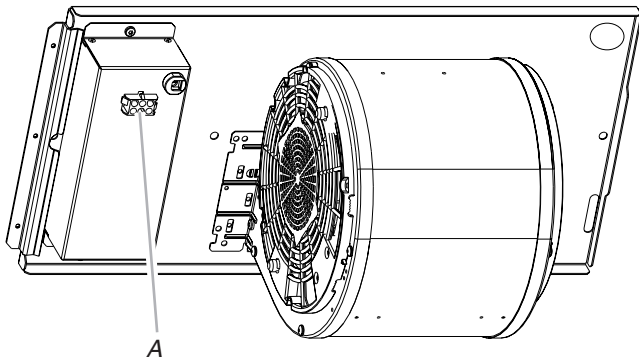
A. Clip nut locations for dual motor assembly (5)
 B. Clip nut locations for single motor assembly (2)

5. Mount range hood using the Installation Instructions that came with your range hood model.

Install Range Hood Blower Motor

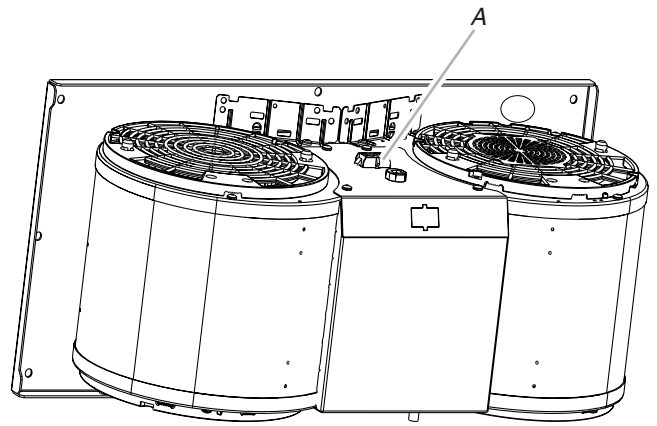
1. Install the range hood blower motor assembly inside the range hood canopy with the wiring connection to the left for the single motor system and to the front or top for the dual motor system.

Single Blower Motor Assembly



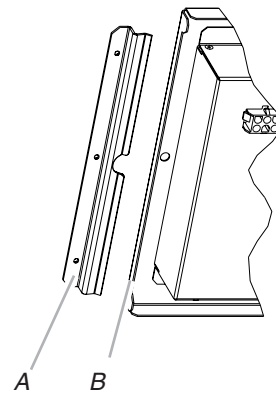
A. Wiring connection

Dual Blower Motor Assembly



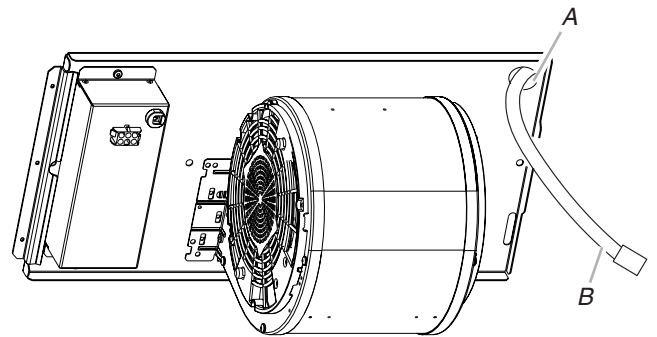
A. Wiring connection

2. Slide the left mounting plate flange under the motor mounting bracket.



A. Motor mounting bracket
 B. Mounting plate left flange

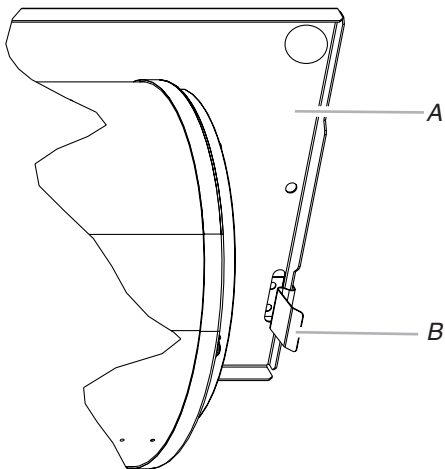
3. Run the power supply wires and connector through the hole in the right end of the motor mounting plate.



A. Motor mounting plate hole
 B. Power supply wires and connector

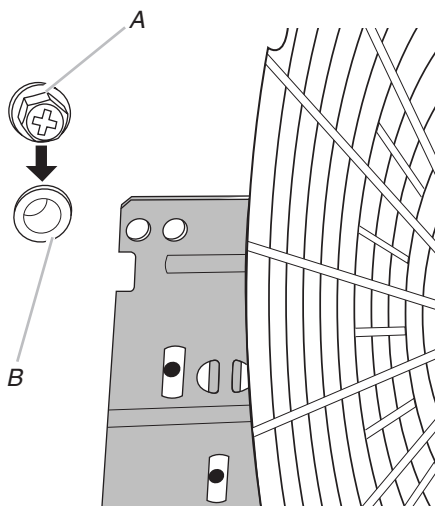
4. Push the right end of the motor mounting plate up and snap it into the spring tab.

NOTE: The spring tab should be outside the slot in the mounting plate.



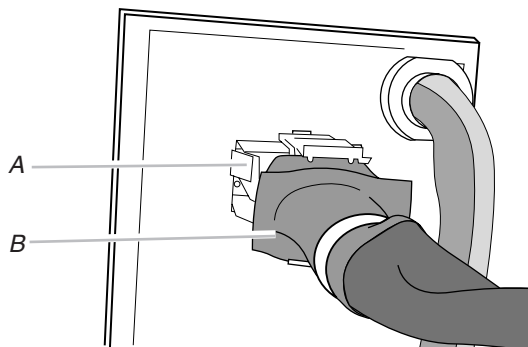
A. Motor mounting plate
B. Spring clip

5. Align mounting holes and install 6 x 16 mm screws and 6.4 mm lock washers.



A. Screw with lock washer
B. Mounting hole

6. Attach power cord connector to connector on wire box.



A. Wire box connector
B. Power cord

ASSISTANCE OR SERVICE

When calling for assistance or service, please know the purchase date and the complete model and serial number of your appliance. This information will help us to better respond to your request.

If you need replacement parts

If you need to order replacement parts, we recommend that you use only factory specified parts. Factory specified parts will fit right and work right because they are made with the same precision used to build every new appliance. To locate factory specified replacement parts in your area, call us or your nearest designated service center.

In the U.S.A.

Call the Whirlpool Customer eXperience Center toll free: **1-800-253-1301**.

Our consultants provide assistance with:

- Features and specifications on our full line of appliances.
- Installation information.
- Use and maintenance procedures.
- Accessory and repair parts sales.
- Specialized customer assistance (Spanish speaking, hearing impaired, limited vision, etc.).
- Referrals to local dealers, repair parts distributors and service companies. Whirlpool designated service technicians are trained to fulfill the product warranty and provide after-warranty service, anywhere in the United States.

To locate the Whirlpool designated service company in your area, you can also look in your telephone directory Yellow Pages.

For further assistance

If you need further assistance, you can write to Whirlpool Corporation with any questions or concerns at:

Whirlpool Brand Home Appliances
Customer eXperience Center
553 Benson Road
Benton Harbor, MI 49022-2692

Please include a daytime phone number in your correspondence.

In Canada

Call the Whirlpool Canada LP Customer eXperience Centre toll free: **1-800-807-6777**.

Our consultants provide assistance with:

- Features and specifications on our full line of appliances.
- Use and maintenance procedures.
- Accessory and repair parts sales.
- Referrals to local dealers, repair parts distributors, and service companies. Whirlpool Canada LP designated service technicians are trained to fulfill the product warranty and provide after-warranty service, anywhere in Canada.

For further assistance

If you need further assistance, you can write to Whirlpool Canada LP with any questions or concerns at:

Customer eXperience Centre
Whirlpool Canada LP
200 - 6750 Century Ave.
Mississauga, Ontario L5N 0B7

Please include a daytime phone number in your correspondence.

WHIRLPOOL CORPORATION MAJOR APPLIANCE WARRANTY

LIMITED WARRANTY

For one year from the date of purchase, when this major appliance is operated and maintained according to instructions attached to or furnished with the product, Whirlpool Corporation or Whirlpool Canada LP (hereafter "Whirlpool") will pay for Factory Specified Parts and repair labor to correct defects in materials or workmanship. Service must be provided by a Whirlpool designated service company. This limited warranty is valid only in the United States or Canada and applies only when the major appliance is used in the country in which it was purchased. Outside the 50 United States and Canada, this limited warranty does not apply. Proof of original purchase date is required to obtain service under this limited warranty.

ITEMS EXCLUDED FROM WARRANTY

This limited warranty does not cover:

1. Service calls to correct the installation of your major appliance, to instruct you on how to use your major appliance, to replace or repair house fuses, or to correct house wiring or plumbing.
2. Service calls to repair or replace appliance light bulbs, air filters or water filters. Consumable parts are excluded from warranty coverage.
3. Repairs when your major appliance is used for other than normal, single-family household use or when it is used in a manner that is contrary to published user or operator instructions and/or installation instructions.
4. Damage resulting from accident, alteration, misuse, abuse, fire, flood, acts of God, improper installation, installation not in accordance with electrical or plumbing codes, or use of consumables or cleaning products not approved by Whirlpool.
5. Cosmetic damage, including scratches, dents, chips or other damage to the finish of your major appliance, unless such damage results from defects in materials or workmanship and is reported to Whirlpool within 30 days from the date of purchase.
6. Any food loss due to refrigerator or freezer product failures.
7. Costs associated with the removal from your home of your major appliance for repairs. This major appliance is designed to be repaired in the home and only in-home service is covered by this warranty.
8. Repairs to parts or systems resulting from unauthorized modifications made to the appliance.
9. Expenses for travel and transportation for product service if your major appliance is located in a remote area where service by an authorized Whirlpool servicer is not available.
10. The removal and reinstallation of your major appliance if it is installed in an inaccessible location or is not installed in accordance with published installation instructions.
11. Major appliances with original model/serial numbers that have been removed, altered or cannot be easily determined. This warranty is void if the factory applied serial number has been altered or removed from your major appliance.

The cost of repair or replacement under these excluded circumstances shall be borne by the customer.

DISCLAIMER OF IMPLIED WARRANTIES; LIMITATION OF REMEDIES

CUSTOMER'S SOLE AND EXCLUSIVE REMEDY UNDER THIS LIMITED WARRANTY SHALL BE PRODUCT REPAIR AS PROVIDED HEREIN. IMPLIED WARRANTIES, INCLUDING WARRANTIES OF MERCHANTABILITY OR FITNESS FOR A PARTICULAR PURPOSE, ARE LIMITED TO ONE YEAR OR THE SHORTEST PERIOD ALLOWED BY LAW. WHIRLPOOL SHALL NOT BE LIABLE FOR INCIDENTAL OR CONSEQUENTIAL DAMAGES. SOME STATES AND PROVINCES DO NOT ALLOW THE EXCLUSION OR LIMITATION OF INCIDENTAL OR CONSEQUENTIAL DAMAGES, OR LIMITATIONS ON THE DURATION OF IMPLIED WARRANTIES OF MERCHANTABILITY OR FITNESS, SO THESE EXCLUSIONS OR LIMITATIONS MAY NOT APPLY TO YOU. THIS WARRANTY GIVES YOU SPECIFIC LEGAL RIGHTS, AND YOU MAY ALSO HAVE OTHER RIGHTS WHICH VARY FROM STATE TO STATE OR PROVINCE TO PROVINCE.

If outside the 50 United States and Canada, contact your authorized Whirlpool dealer to determine if another warranty applies.

If you need service, first see the "Troubleshooting" section of the Use & Care Guide. After checking "Troubleshooting," you may find additional help by checking the "Assistance or Service" section or by calling Whirlpool. In the U.S.A., call **1-800-253-1301**. In Canada, call **1-800-807-6777**.

9/07

Keep this book and your sales slip together for future reference. You must provide proof of purchase or installation date for in-warranty service.

Write down the following information about your major appliance to better help you obtain assistance or service if you ever need it. You will need to know your complete model number and serial number. You can find this information on the model and serial number label located on the product.

Dealer name _____

Address _____

Phone number _____

Model number _____

Serial number _____

Purchase date _____

SÉCURITÉ DE LA HOTTE DE CUISINIÈRE

Votre sécurité et celle des autres est très importante.

Nous donnons de nombreux messages de sécurité importants dans ce manuel et sur votre appareil ménager. Assurez-vous de toujours lire tous les messages de sécurité et de vous y conformer.



Voici le symbole d'alerte de sécurité.

Ce symbole d'alerte de sécurité vous signale les dangers potentiels de décès et de blessures graves à vous et à d'autres.

Tous les messages de sécurité suivront le symbole d'alerte de sécurité et le mot "DANGER" ou "AVERTISSEMENT". Ces mots signifient :

⚠ DANGER

Risque possible de décès ou de blessure grave si vous ne suivez pas immédiatement les instructions.

⚠ AVERTISSEMENT

Risque possible de décès ou de blessure grave si vous ne suivez pas les instructions.

Tous les messages de sécurité vous diront quel est le danger potentiel et vous disent comment réduire le risque de blessure et ce qui peut se produire en cas de non-respect des instructions.

IMPORTANTES INSTRUCTIONS DE SÉCURITÉ

AVERTISSEMENT : POUR RÉDUIRE LE RISQUE D'INCENDIE, CHOC ÉLECTRIQUE OU DOMMAGES CORPORELS, RESPECTER LES INSTRUCTIONS SUIVANTES :

- Utiliser cet appareil uniquement dans les applications envisagées par le fabricant. Pour toute question, contacter le fabricant.
- Avant d'entreprendre un travail d'entretien ou de nettoyage, interrompre l'alimentation de la hotte au niveau du tableau de disjoncteurs, et verrouiller le tableau de disjoncteurs pour empêcher tout rétablissement accidentel de l'alimentation du circuit. Lorsqu'il n'est pas possible de verrouiller le tableau de disjoncteurs, placer sur le tableau de disjoncteurs une étiquette d'avertissement proéminente interdisant le rétablissement de l'alimentation.
- Tout travail d'installation ou câblage électrique doit être réalisé par une personne qualifiée, dans le respect des prescriptions de tous les codes et normes applicables, y compris les codes du bâtiment et de protection contre les incendies.
- Ne pas faire fonctionner un ventilateur dont le cordon ou la fiche est endommagé(e). Jeter le ventilateur ou le retourner à un centre de service agréé pour examen et/ou réparation.
- Une source d'air de débit suffisant est nécessaire pour le fonctionnement correct de tout appareil à gaz (combustion et évacuation des gaz à combustion par la cheminée), pour qu'il n'y ait pas de reflux des gaz de combustion. Respecter les directives du fabricant de l'équipement de chauffage et les prescriptions des normes de sécurité - comme celles publiées par la National Fire Protection Association (NFPA) et l'American Society for Heating, Refrigeration and Air Conditioning Engineers (ASHRAE), et les prescriptions des autorités réglementaires locales.
- Lors d'opérations de découpage et de perçage dans un mur ou un plafond, veiller à ne pas endommager les câblages électriques ou canalisations qui peuvent s'y trouver.
- Les ventilateurs d'évacuation doivent toujours décharger l'air à l'extérieur.

MISE EN GARDE : Cet appareil est conçu uniquement pour la ventilation générale. Ne pas l'utiliser pour l'extraction de matières ou vapeurs dangereuses ou explosives.

MISE EN GARDE : Pour minimiser le risque d'incendie et évacuer adéquatement les gaz, veiller à acheminer l'air aspiré par un conduit jusqu'à l'extérieur - ne pas décharger l'air aspiré dans un espace vide du bâtiment comme une cavité murale, un plafond, un grenier, un vide sanitaire ou un garage.

AVERTISSEMENT : POUR RÉDUIRE LE RISQUE D'INCENDIE, UTILISER UNIQUEMENT DES CONDUITS MÉTALLIQUES.

AVERTISSEMENT : POUR MINIMISER LE RISQUE D'UN FEU DE GRAISSE SUR LA CUISINIÈRE :

- Ne jamais laisser un élément de surface fonctionner à puissance de chauffage maximale sans surveillance. Un renversement/débordement de matière grasseuse pourrait provoquer une inflammation et la génération de fumée. Utiliser une puissance de chauffage moyenne ou basse pour le chauffage d'huile.
- Veiller à toujours faire fonctionner le ventilateur de la hotte lors de la cuisson avec une puissance de chauffage élevée ou lors de la cuisson d'un mets à flamber (à savoir crêpes Suzette, cerise jubilee, steak au poivre flambé).
- Nettoyer fréquemment les ventilateurs d'extraction. Veiller à ne pas laisser la graisse s'accumuler sur les surfaces du ventilateur ou des filtres.
- Utiliser toujours un ustensile de taille appropriée. Utiliser toujours un ustensile adapté à la taille de l'élément chauffant.

AVERTISSEMENT : POUR RÉDUIRE LE RISQUE DE DOMMAGES CORPORELS APRÈS LE DÉCLENCHEMENT D'UN FEU DE GRAISSE SUR LA CUISINIÈRE, APPLIQUER LES RECOMMANDATIONS SUIVANTES :^a

- Placer sur le récipient un couvercle bien ajusté, une tôle à biscuits ou un plateau métallique POUR ÉTOUFFER LES FLAMMES, puis éteindre le brûleur. VEILLER À ÉVITER LES BRÛLURES. Si les flammes ne s'éteignent pas immédiatement, ÉVACUER LA PIÈCE ET APPELER LES POMPIERS.
- NE JAMAIS PRENDRE EN MAIN UN RÉCIPENT ENFLAMMÉ - vous risquez de vous brûler.
- NE PAS UTILISER D'EAU, ni un torchon humide - ceci pourrait provoquer une explosion de vapeur brûlante.
- Utiliser un extincteur SEULEMENT si :
 - Il s'agit d'un extincteur de classe ABC, dont on connaît le fonctionnement.
 - Il s'agit d'un petit feu encore limité à l'endroit où il s'est déclaré.
 - Les pompiers ont été contactés.
 - Il est possible de garder le dos orienté vers une sortie pendant l'opération de lutte contre le feu.

^aRecommandations tirées des conseils de sécurité en cas d'incendie de cuisine publiés par la NFPA.

- **AVERTISSEMENT** : Pour réduire le risque d'incendie ou de choc électrique, ne pas utiliser ce ventilateur avec un quelconque dispositif de réglage de la vitesse à semi-conducteurs.

LIRE ET CONSERVER CES INSTRUCTIONS

EXIGENCES D'INSTALLATION

Outils et pièces

Rassembler les outils et composants nécessaires avant d'entreprendre l'installation. Lire et observer les instructions fournies avec chacun des outils de la liste ci-dessous.

Outils nécessaires

- Tournevis Phillips

Pièces fournies (modèles 600 CFM)

Retirer les pièces de leur emballage. Vérifier que toutes les pièces sont présentes.

- Ventilateur
- Support du moteur
- Languette à ressort du moteur
- 2 écrous de 6 x 1 mm
- 5 vis de 4,2 x 8 mm
- 2 vis de 6 x 16 mm
- 2 rondelles-freins de 6,4 x 11 mm
- Adaptateur T-20 Torx[†]

Pièces fournies (modèles 1200 CFM)

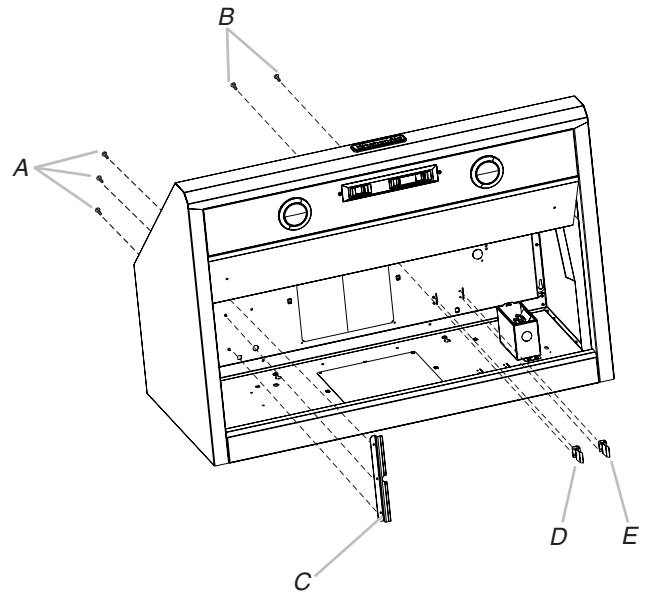
Retirer les pièces de leur emballage. Vérifier que toutes les pièces sont présentes.

- Ventilateur
- Support du moteur
- Languette à ressort du moteur
- 5 écrous de 6 x 1 mm
- 5 vis de 4,2 x 8 mm
- 5 vis de 6 x 16 mm
- 5 rondelles-freins de 6,4 x 11 mm
- Adaptateur T-20 Torx[†]

INSTRUCTIONS D'INSTALLATION

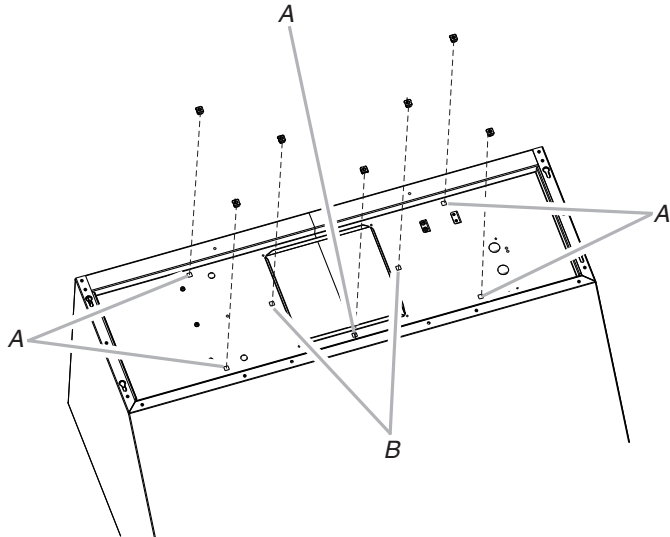
IMPORTANT : Exécuter les étapes 1 à 4 avant de monter la hotte de cuisinière.

1. Retirer les filtres à graisse de la hotte. Voir la section "Entretien de la hotte" du guide d'utilisation et d'entretien.
2. Monter le support du moteur à l'aide des trois vis 4,2 x 8 mm. Visser le support en haut à l'intérieur ou à l'arrière (autre emplacement sur certains modèles), du côté gauche de la hotte.
3. Installer la languette à ressort du moteur à l'aide des deux vis de 4,2 x 8 mm. Visser la languette à ressort en haut à l'intérieur ou à l'arrière (autre emplacement sur certains modèles) de la hotte, à l'endroit correct selon le système de moteur sélectionné. Glisser la patte de montage de la languette à ressort par la fente dans le panneau et la fixer à l'aide des vis. Utiliser les trous de montage intérieurs pour le système à un seul ventilateur. Utiliser les trous de montage extérieurs pour le système à deux ventilateurs.



- A. 3 vis de 4,2 x 8 mm pour le support du moteur
- B. 2 vis de 4,2 x 8 mm pour la languette à ressort du moteur
- C. Support de montage du moteur
- D. Languette à ressort du moteur (emplacement pour système à un seul ventilateur)
- E. Languette à ressort du moteur (emplacement pour système à deux ventilateurs)

4. Fixer les écrous de 6 mm en haut à l'extérieur ou à l'arrière (autre emplacement sur certains modèles) de la hotte, à l'endroit correct selon le système de ventilation sélectionné.
- Deux écrous de 6 mm sont nécessaires pour le système à un seul ventilateur. Emboîter les écrous dans les petites encoches carrées situées à droite et à gauche de l'ouverture d'évacuation carrée.
 - Cinq écrous de 6 mm sont nécessaires pour le système à deux ventilateurs. Emboîter les écrous dans les petites encoches carrées, l'une située à l'avant de l'ouverture d'évacuation carrée et les quatre autres à gauche et à droite de l'ouverture d'évacuation carrée.



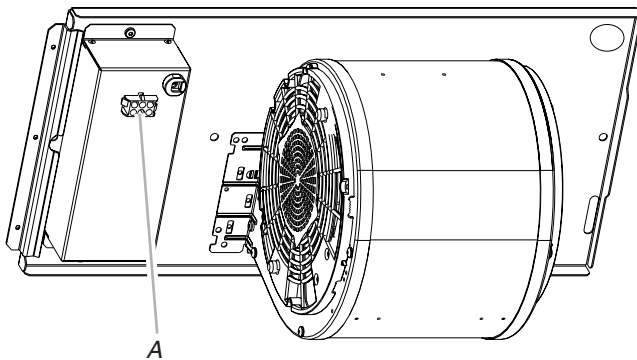
A. Emplacement des 5 écrous à emboîter pour le système à deux ventilateurs
 B. Emplacement des 2 écrous à emboîter pour le système à un seul ventilateur

5. Fixer la hotte en suivant les instructions d'installation correspondant au modèle.

Installation du moteur du ventilateur de la hotte

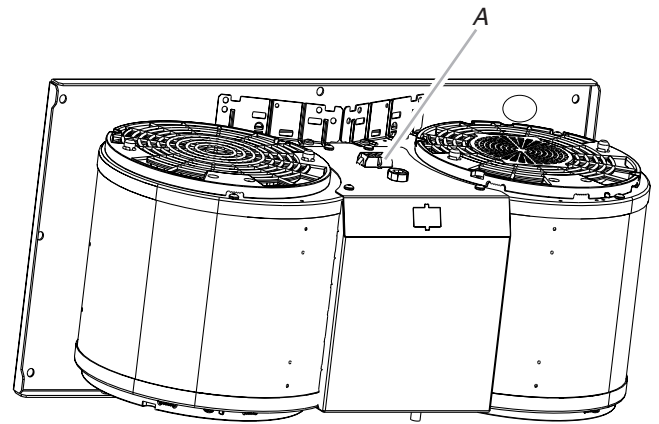
1. Installer le moteur du ventilateur de la hotte à l'intérieur de l'auvent, connexion du câblage à gauche pour le système à ventilateur unique et à l'avant ou au-dessus pour le système à deux ventilateurs.

Ensemble à un seul moteur-ventilateur



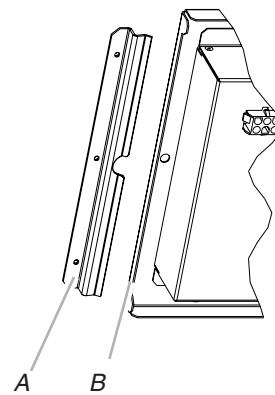
A. Connexion du câblage

Ensemble à deux moteurs-ventilateurs



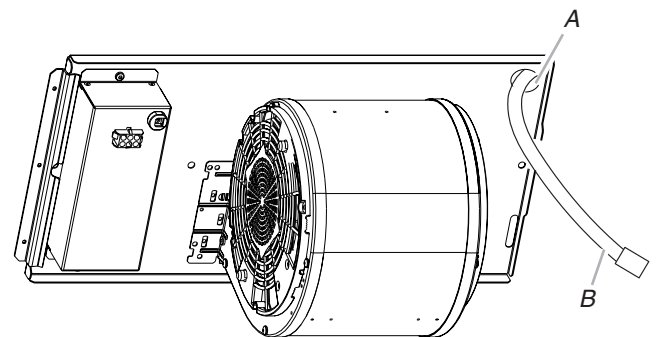
A. Connexion du câblage

2. Glisser le rebord gauche de la plaque de montage sous le support de montage du moteur.



A. Support de montage du moteur
 B. Rebord gauche de la plaque de montage

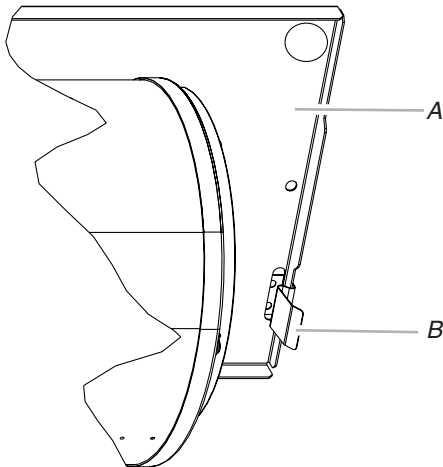
3. Passer les câbles d'alimentation et le connecteur par le trou à droite de la plaque de montage du moteur.



A. Trou de la plaque de montage du moteur
 B. Câbles d'alimentation et connecteur

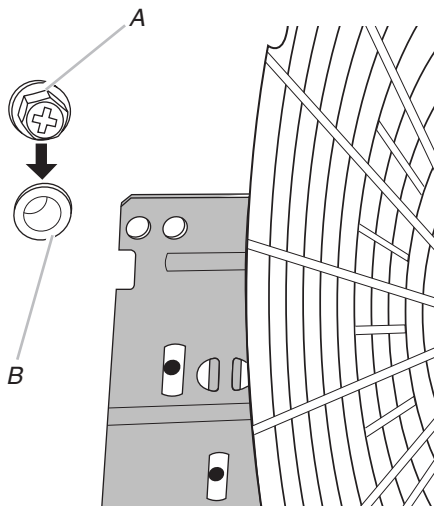
4. Pousser vers le haut le côté droit de la plaque de montage du moteur et l'enclencher dans la languette à ressort.

REMARQUE : La languette à ressort doit être à l'extérieur de la fente de la plaque de montage.



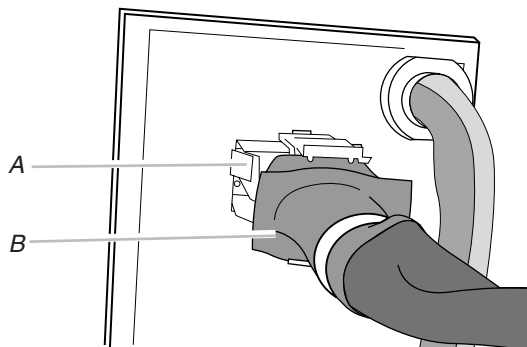
A. Plaque de montage du moteur
B. Languette à ressort

5. Aligner les trous de montage, puis visser les vis de 6 x 16 mm et les rondelles-freins de 6,4 mm.



A. Vis avec rondelle-frein
B. Trou de montage

6. Relier le connecteur du cordon d'alimentation au connecteur du boîtier de connexion.



A. Connecteur du boîtier de connexion
B. Cordon d'alimentation

ASSISTANCE OU SERVICE

Lors d'un appel pour assistance ou service, veuillez connaître la date d'achat, le numéro de modèle et le numéro de série complets de l'appareil. Ces renseignements nous aideront à mieux répondre à votre demande.

Si vous avez besoin de pièces de rechange

Si vous avez besoin de commander des pièces de rechange, nous vous recommandons d'employer uniquement les pièces spécifiées par l'usine. Les pièces spécifiées par l'usine conviendront et fonctionneront bien parce qu'elles sont fabriquées avec la même précision utilisée dans la fabrication de chaque nouvel appareil. Pour localiser les pièces spécifiées par l'usine, dans votre région, nous appelons ou téléphonons au centre de service désigné le plus proche.

Au Canada

Veuillez appeler sans frais le Centre pour l'eXpérience de la clientèle de Whirlpool Canada LP au : **1-800-807-6777**.

Nos consultants vous renseigneront sur les sujets suivants :

- Caractéristiques et spécifications sur toute notre gamme d'appareils électroménagers.
- Consignes d'utilisation et d'entretien.
- Ventes d'accessoires et de pièces de rechange.
- Références aux marchands locaux, aux distributeurs de pièces de rechange et aux compagnies de service. Les techniciens de service désignés par Whirlpool Canada LP sont formés pour remplir la garantie des produits et fournir un service après la garantie, partout au Canada.

Pour plus d'assistance

Si vous avez besoin de plus d'assistance, vous pouvez soumettre par écrit toute question ou préoccupation à Whirlpool Canada LP à l'adresse suivante :

Whirlpool Canada LP
Centre pour l'eXpérience de la clientèle
200 - 6750 Century Ave.
Mississauga, Ontario L5N 0B7

Veuillez inclure dans votre correspondance un numéro de téléphone où l'on peut vous joindre dans la journée.

GARANTIE DES GROS APPAREILS MÉNAGERS WHIRLPOOL CORPORATION

GARANTIE LIMITÉE

Pendant un an à compter de la date d'achat, lorsque ce gros appareil ménager est utilisé et entretenu conformément aux instructions jointes à ou fournies avec le produit, Whirlpool Corporation ou Whirlpool Canada LP (ci-après désignées "Whirlpool") paiera pour les pièces spécifiées par l'usine et la main-d'œuvre pour corriger les vices de matériaux ou de fabrication. Le service doit être fourni par une compagnie de service désignée par Whirlpool. Cette garantie limitée est valide uniquement aux États-Unis ou au Canada et s'applique exclusivement lorsque l'appareil est utilisé dans le pays où il a été acheté. À l'extérieur du Canada et des 50 États des États-Unis, cette garantie limitée ne s'applique pas. Une preuve de la date d'achat original est exigée pour obtenir un service dans le cadre de la présente garantie limitée.

ARTICLES EXCLUS DE LA GARANTIE

La présente garantie limitée ne couvre pas :

1. Les visites de service pour rectifier l'installation du gros appareil ménager, montrer à l'utilisateur comment utiliser l'appareil, remplacer ou réparer des fusibles ou rectifier le câblage ou la plomberie du domicile.
2. Les visites de service pour réparer ou remplacer les ampoules électriques de l'appareil, les filtres à air ou les filtres à eau. Les pièces consommables ne sont pas couvertes par la garantie.
3. Les réparations lorsque le gros appareil ménager est utilisé à des fins autres que l'usage unifamilial normal ou lorsque les instructions d'installation et/ou les instructions de l'opérateur ou de l'utilisateur fournies ne sont pas respectées.
4. Les dommages imputables à : accident, modification, usage impropre ou abusif, incendie, inondation, actes de Dieu, installation fautive ou installation non conforme aux codes d'électricité ou de plomberie, ou l'utilisation de pièces consommables ou de produits nettoyants non approuvés par Whirlpool.
5. Les défauts apparents, notamment les éraflures, les bosses, fissures ou tout autre dommage au fini du gros appareil ménager, à moins que ces dommages soient dus à des vices de matériaux ou de fabrication et soient signalés à Whirlpool dans les 30 jours suivant la date d'achat.
6. Toute perte d'aliments due à une défaillance du réfrigérateur ou du congélateur.
7. Les coûts associés au transport du gros appareil ménager du domicile pour réparation. Ce gros appareil ménager est conçu pour être réparé à domicile et seul le service à domicile est couvert par la présente garantie.
8. Les réparations aux pièces ou systèmes résultant d'une modification non autorisée faite à l'appareil.
9. Les frais de transport pour le service d'un produit si votre gros appareil est situé dans une région éloignée où un service d'entretien Whirlpool autorisé n'est pas disponible.
10. La dépose et la réinstallation de votre gros appareil si celui-ci est installé dans un endroit inaccessible ou n'est pas installé conformément aux instructions d'installation fournies.
11. Les gros appareils ménagers dont les numéros de série et de modèle originaux ont été enlevés, modifiés ou qui ne peuvent pas être facilement identifiés. La présente garantie est nulle si le numéro de série d'usine a été modifié ou enlevé du gros appareil ménager. Le coût d'une réparation ou d'un remplacement dans le cadre de ces circonstances exclues est à la charge du client.

CLAUSE D'EXONÉRATION DE RESPONSABILITÉ AU TITRE DES GARANTIES IMPLICITES; LIMITATION DES RECOURS

LE SEUL ET EXCLUSIF RECOURS DU CLIENT DANS LE CADRE DE LA PRÉSENTE GARANTIE LIMITÉE CONSISTE EN LA RÉPARATION PRÉVUE CI-DESSUS. LES GARANTIES IMPLICITES, Y COMPRIS LES GARANTIES APPLICABLES DE QUALITÉ MARCHANDE ET D'APTITUDE À UN USAGE PARTICULIER, SONT LIMITÉES À UN AN OU À LA PLUS COURTE PÉRIODE AUTORISÉE PAR LA LOI. WHIRLPOOL N'ASSUME AUCUNE RESPONSABILITÉ POUR LES DOMMAGES FORTUITS OU INDIRECTS. CERTAINES JURIDICTIONS NE PERMETTENT PAS L'EXCLUSION OU LA LIMITATION DES DOMMAGES FORTUITS OU INDIRECTS, OU LES LIMITATIONS DE LA DURÉE DES GARANTIES IMPLICITES DE QUALITÉ MARCHANDE OU D'APTITUDE À UN USAGE PARTICULIER, DE SORTE QUE CES EXCLUSIONS OU LIMITATIONS PEUVENT NE PAS S'APPLIQUER DANS VOTRE CAS. CETTE GARANTIE VOUS CONFÈRE DES DROITS JURIDIQUES SPÉCIFIQUES ET VOUS POUVEZ ÉGALEMENT JOUIR D'AUTRES DROITS QUI PEUVENT VARIER D'UNE JURIDICTION À UNE AUTRE.

Si vous résidez à l'extérieur du Canada et des 50 États des États-Unis, contactez votre marchand Whirlpool autorisé pour déterminer si une autre garantie s'applique.

Si vous avez besoin de service, voir d'abord la section "Dépannage" du Guide d'utilisation et d'entretien. Après avoir vérifié la section "Dépannage", de l'aide supplémentaire peut être trouvée en vérifiant la section "Assistance ou service" ou en appelant Whirlpool. Aux É.-U., composer le **1-800-253-1301**. Au Canada, composer le **1-800-807-6777**.

2/09

Conservez ce manuel et votre reçu de vente ensemble pour référence ultérieure. Pour le service sous garantie, vous devez présenter un document prouvant la date d'achat ou d'installation.

Inscrivez les renseignements suivants au sujet de votre gros appareil ménager pour mieux vous aider à obtenir assistance ou service en cas de besoin. Vous devrez connaître le numéro de modèle et le numéro de série au complet. Vous trouverez ces renseignements sur la plaque signalétique située sur le produit.

Nom du marchand _____

Adresse _____

Numéro de téléphone _____

Numéro de modèle _____

Numéro de série _____

Date d'achat _____

W10331012A

© 2010.
All rights reserved.
Tous droits réservés.

10/10
Printed in Mexico.
Imprimé au Mexique.