

---

# 30" (76.2 CM), 36" (91.4 CM) AND 48" (121.9 CM) WALL-MOUNT CANOPY GRILL VENT HOOD

Suitable for Use in Damp Locations  
Installation Instructions and Use & Care Guide

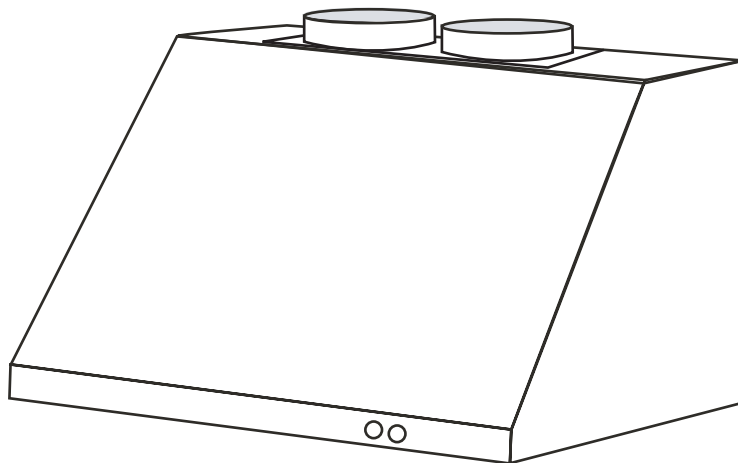
---

# HOTTE DE CUISINIÈRE POUR MONTAGE MURAL 30" (76,2 CM), 36" (91,4 CM), ET 48" (121,9 CM)

Pour une utilisation en milieu humide  
Instructions d'installation et Guide d'utilisation et d'entretien

---

Table of Contents/Table des matières..... 2



**IMPORTANT: READ AND SAVE THESE INSTRUCTIONS.  
FOR RESIDENTIAL USE ONLY.**  
**IMPORTANT : LIRE ET CONSERVER CES INSTRUCTIONS.  
POUR UTILISATION RÉSIDENIELLE UNIQUEMENT.**

## TABLE OF CONTENTS

<b>GRILL VENT HOOD SAFETY</b> .....	<b>2</b>
<b>INSTALLATION REQUIREMENTS</b> .....	<b>4</b>
Tools and Parts .....	4
Location Requirements .....	4
Venting Requirements .....	5
Electrical Requirements .....	5
<b>INSTALLATION INSTRUCTIONS</b> .....	<b>6</b>
Prepare Location .....	6
Install Grill Vent Hood.....	7
Make Electrical Connection .....	7
Install Duct Cover .....	8
Reinstall Grease Filters .....	8
Complete Installation .....	8
<b>GRILL VENT HOOD USE</b> .....	<b>9</b>
<b>GRILL VENT HOOD CARE</b> .....	<b>9</b>
Cleaning.....	9
Replacing a Halogen Lamp.....	10
<b>WIRING DIAGRAMS</b> .....	<b>11</b>
<b>ASSISTANCE OR SERVICE</b> .....	<b>12</b>
In the U.S.A. ....	12
Accessories .....	12
In Canada .....	12
<b>WARRANTY</b> .....	<b>13</b>

## TABLE DES MATIÈRES

<b>SÉCURITÉ DE LA HOTTE DE CUISINIÈRE</b> .....	<b>15</b>
<b>EXIGENCES D'INSTALLATION</b> .....	<b>17</b>
Outillage et pièces .....	17
Exigences d'emplacement .....	17
Exigences concernant l'évacuation .....	18
Spécifications électriques .....	19
<b>INSTRUCTIONS D'INSTALLATION</b> .....	<b>20</b>
Préparation de l'emplacement .....	20
Installation de la hotte de cuisinière.....	21
Raccordement électrique.....	21
Installation du cache-conduit.....	22
Réinstallation des filtres à graisse.....	22
Achever l'installation .....	22
<b>UTILISATION DE LA HOTTE</b> .....	<b>23</b>
<b>ENTRETIEN DE LA HOTTE</b> .....	<b>23</b>
Nettoyage .....	23
Remplacement d'une lampe à halogène .....	24
<b>SCHÉMA DE CÂBLAGE</b> .....	<b>25</b>
<b>ASSISTANCE OU SERVICE</b> .....	<b>26</b>
Accessoires .....	26
<b>GARANTIE</b> .....	<b>27</b>

## GRILL VENT HOOD SAFETY

### Your safety and the safety of others are very important.

We have provided many important safety messages in this manual and on your appliance. Always read and obey all safety messages.



This is the safety alert symbol.

This symbol alerts you to potential hazards that can kill or hurt you and others.

All safety messages will follow the safety alert symbol and either the word "DANGER" or "WARNING."

These words mean:

**⚠ DANGER**

You can be killed or seriously injured if you don't immediately follow instructions.

**⚠ WARNING**

You can be killed or seriously injured if you don't follow instructions.

All safety messages will tell you what the potential hazard is, tell you how to reduce the chance of injury, and tell you what can happen if the instructions are not followed.

# IMPORTANT SAFETY INSTRUCTIONS

**WARNING:** TO REDUCE THE RISK OF FIRE, ELECTRIC SHOCK, OR INJURY TO PERSONS, OBSERVE THE FOLLOWING:

- Use this unit only in the manner intended by the manufacturer. If you have questions, contact the manufacturer.
- Before servicing or cleaning the unit, switch power off at service panel and lock the service disconnecting means to prevent power from being switched on accidentally. When the service disconnecting means cannot be locked, securely fasten a prominent warning device, such as a tag, to the service panel.
- Installation work and electrical wiring must be done by qualified person(s) in accordance with all applicable codes and standards, including fire-rated construction.
- Sufficient air is needed for proper combustion and exhausting of gases through the flue (chimney) of fuel burning equipment to prevent backdrafting. Follow the heating equipment manufacturer's guideline and safety standards such as those published by the National Fire Protection Association (NFPA), the American Society for Heating, Refrigeration and Air Conditioning Engineers (ASHRAE), and the local code authorities.
- When cutting or drilling into wall or ceiling; do not damage electrical wiring and other utilities.
- Ducted fans must always be vented outdoors.

**CAUTION:** For general ventilating use only. Do not use to exhaust hazardous or explosive materials and vapors.

**CAUTION:** To reduce risk of fire and to properly exhaust air, be sure to duct air outside - do not vent exhaust air into spaces within walls or ceilings, attics or into crawl spaces, or garages.

**WARNING:** TO REDUCE THE RISK OF FIRE, USE ONLY METAL DUCTWORK.

**WARNING:** TO REDUCE THE RISK OF A RANGE TOP GREASE FIRE:

- Never leave surface units unattended at high settings. Boilovers cause smoking and greasy spillovers that may ignite. Heat oils slowly on low or medium settings.
- Always turn hood ON when cooking at high heat or when flambeing food (i.e. Crepes Suzette, Cherries Jubilee, Peppercorn Beef Flambé).
- Clean ventilating fans frequently. Grease should not be allowed to accumulate on fan or filter.
- Use proper pan size. Always use cookware appropriate for the size of the surface element.

**WARNING:** TO REDUCE THE RISK OF INJURY TO PERSONS IN THE EVENT OF A RANGE TOP GREASE FIRE, OBSERVE THE FOLLOWING:<sup>a</sup>

- **SMOTHER FLAMES** with a close fitting lid, cookie sheet, or metal tray, then turn off the burner. **BE CAREFUL TO PREVENT BURNS.** If the flames do not go out immediately, **EVACUATE AND CALL THE FIRE DEPARTMENT.**
- **NEVER PICK UP A FLAMING PAN** - you may be burned.
- **DO NOT USE WATER**, including wet dishcloths or towels - a violent steam explosion will result.
- Use an extinguisher **ONLY** if:
  - You know you have a class ABC extinguisher, and you already know how to operate it.
  - The fire is small and contained in the area where it started.
  - The fire department is being called.
  - You can fight the fire with your back to an exit.

<sup>a</sup>Based on "Kitchen Fire Safety Tips" published by NFPA.

- **WARNING:** To reduce the risk of fire or electrical shock, do not use this fan with any solid-state speed control device.

## SAVE THESE INSTRUCTIONS

# INSTALLATION REQUIREMENTS

## Tools and Parts

Gather the required tools and parts before starting installation. Read and follow the instructions provided with any tools listed here.

### Tools needed

- Level
- Drill with 1¼" (3.0 cm) drill bit
- Pencil
- Wire stripper or utility knife
- Tape measure or ruler
- Pliers
- Caulking gun and weatherproof caulking compound
- Jigsaw or keyhole saw
- Flat-blade screwdriver
- Metal snips
- Phillips screwdriver
- Scissors

### Parts needed

- Home power supply cable
- 1 - ½" (12.7 mm) UL listed or CSA approved strain relief
- 1 wall or roof cap
- Metal vent system
- Vent clamps
- 6 to 8 #10 or larger screws to mount grill vent hood and wood mounting strip (quantity and type determined by size of grill vent hood and wall type). If larger screws are used, the holes in the grill vent hood may need to be enlarged.
- 1" x 4" (2.5 cm x 10.2 cm) wood mounting strip (length determined by grill vent hood width)

### Parts supplied

Remove parts from packages. Check that all parts are included.

- 2 metal grease filters for 30" (76.2 cm) models
- 3 metal grease filters for 36" (91.4 cm) models
- 4 metal grease filters for 48" (121.9 cm) models
- Metal transition duct piece
- 8 - #10 Phillips transition duct screws
- UL listed wire connectors (3)
- Light bulb removal tool

## Location Requirements

**IMPORTANT:** Observe all governing codes and ordinances.

Have a qualified technician install the grill vent hood. It is the installer's responsibility to comply with installation clearances specified on the model/serial rating plate. The model/serial rating plate is located inside the grill vent hood on the rear wall of the grill vent hood.

Canopy grill vent hood location should be away from strong draft areas, such as windows, doors and strong heating vents.

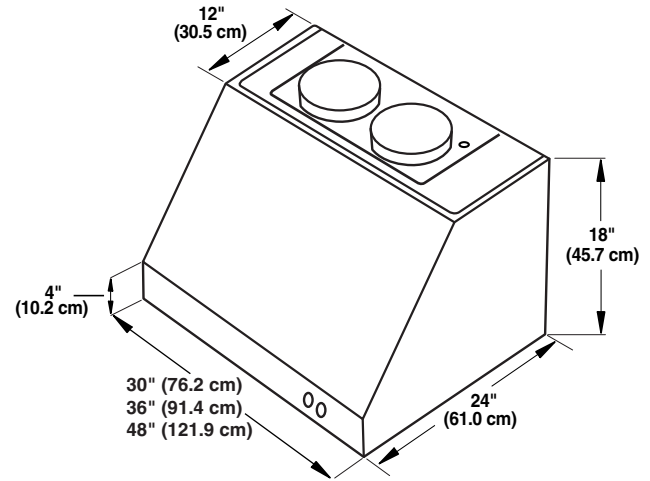
Grounded electrical outlet is required. See "Electrical Requirements" section.

The canopy grill vent hood is factory set for venting through the roof or wall.

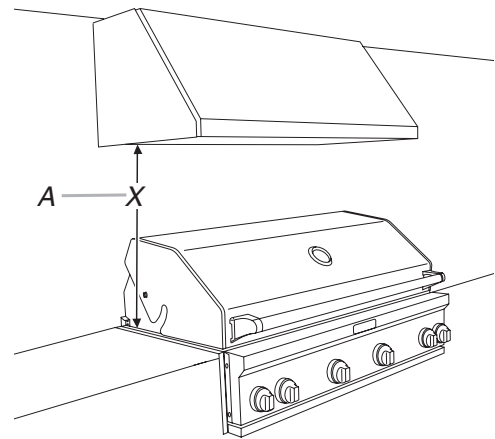
All openings in ceiling and wall where canopy grill vent hood will be installed must be sealed.

## Product Dimensions

### Vented Installations



## Installation Dimensions



A. Distance "X" (30" [76.2 cm] min, suggested 36" [91.4 cm] max)

**\*NOTE:** The grill vent hood duct cover is designed to add 12" (30.5 cm) to meet the ceiling or soffit height. Depending on your model, order:

Part Number W10153151 for 30" (76.2 cm) models,  
Part Number W10153152 for 36" (91.4 cm) models, and  
Part Number W10153153 for 48" (121.9 cm).

### IMPORTANT:

Minimum distance "X": 30" (76.2 cm)  
Suggested maximum distance "X": 36" (91.4 cm)

## Venting Requirements

- Vent system must terminate to the outdoors.
- Do not terminate the vent system in an attic or other enclosed area.
- Do not use 4" (10.2 cm) laundry-type wall caps.
- Use metal vent only. Rigid metal vent is recommended. Plastic or metal foil vent is not recommended.
- The length of vent system and number of elbows should be kept to a minimum to provide efficient performance.

### For the most efficient and quiet operation:

- Use no more than three 90° elbows.
- Make sure there is a minimum of 24" (61.0 cm) of straight vent between the elbows if more than 1 elbow is used.
- Do not install 2 elbows together.
- Use clamps to seal all joints in the vent system.
- The vent system must have a damper. If the roof or wall cap has a damper, do not use the damper supplied with the grill vent hood.
- Use caulking to seal exterior wall or roof opening around the cap.
- The size of the vent should be uniform.

## Venting Methods

This canopy grill vent hood is factory set for venting through the roof or through the wall.

A 10" (25.4 cm) round vent system is needed for installation (not included). The hood exhaust opening is 10" (25.4 cm) round.

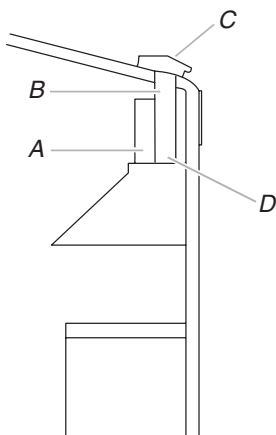
**NOTE:** Flexible vent is not recommended. Flexible vent creates back pressure and air turbulence that greatly reduce performance.

Vent system can terminate either through the roof or through the wall. To vent through a wall, a 90° elbow is needed.

### Rear discharge

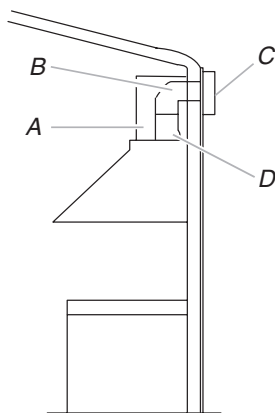
A 90° elbow may be installed immediately above the hood.

#### Roof Venting



- A. Optional decorative duct cover
- B. 10" (25.4 cm) round vent
- C. Roof cap
- D. 10" (25.4 cm) round vent transition

#### Wall Venting



- A. Optional decorative duct cover
- B. 10" (25.4 cm) round vent and elbow
- C. Wall cap
- D. 10" (25.4 cm) round vent transition

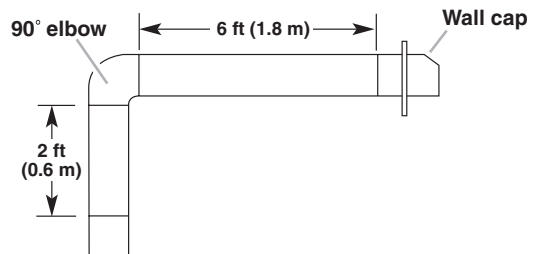
## Calculating Vent System Length

To calculate the length of the system you need, add the equivalent feet (meters) for each vent piece used in the system.

Vent Piece	10" (25.4 cm) Round	
45° elbow	2.5 ft (0.8 m)	
90° elbow	5.0 ft (1.5 m)	

Maximum equivalent vent length is 35 ft (10.7 m).

### Example vent system



The following example falls within the maximum recommended vent length of 35 ft (10.7 m).

1 - 90° elbow	= 5.0 ft (1.5 m)
1 - wall cap	= 0.0 ft (0.0 m)
8 ft (2.4 m) straight	= 8.0 ft (2.4 m)
<b>Length of system</b>	<b>= 13.0 ft (3.9 m)</b>

## Electrical Requirements

Observe all governing codes and ordinances.

Ensure that the electrical installation is adequate and in conformance with National Electrical Code, ANSI/NFPA 70 (latest edition), or CSA Standards C22.1-94, Canadian Electrical Code, Part 1 and C22.2 No. 0-M91 (latest edition) and all local codes and ordinances.

If codes permit and a separate ground wire is used, it is recommended that a qualified electrician determine that the ground path is adequate.

A copy of the above code standards can be obtained from:

National Fire Protection Association  
One Batterymarch Park  
Quincy, MA 02269  
CSA International  
8501 East Pleasant Valley Road  
Cleveland, OH 44131-5575

- A 120 Volt, 60 Hz., AC only, 15-amp, fused electrical circuit is required.

- If the house has aluminum wiring follow the procedure below:
  1. Connect a section of solid copper wire to the pigtail leads.
  2. Connect the aluminum wiring to the added section of copper wire using special connectors and/or tools designed and UL listed for joining copper to aluminum.
 Follow the electrical connector manufacturer's recommended procedure. Aluminum/copper connection must conform with local codes and industry accepted wiring practices.

- Wire sizes and connections must conform with the rating of the appliance as specified on the model/serial rating plate. The model/serial plate is located behind the filter on the rear wall of the hood.
- Wire sizes must conform to the requirements of the National Electrical Code, ANSI/NFPA 70 (latest edition), or CSA Standards C22. 1-94, Canadian Electrical Code, Part 1 and C22.2 No. 0-M91 (latest edition) and all local codes and ordinances.

# INSTALLATION INSTRUCTIONS

## Prepare Location

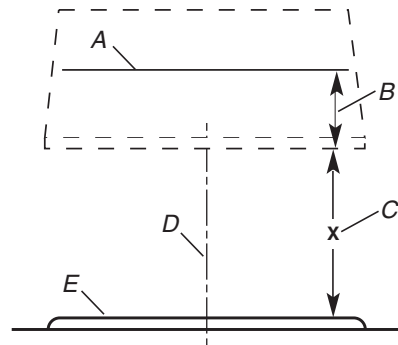
- It is recommended that the vent system be installed before hood is installed.
- Before making cutouts, make sure there is proper clearance within the ceiling or wall for exhaust vent.
- Check your ceiling height and the hood height maximum before you select your hood.
  1. Disconnect power.
  2. Determine which venting method to use: roof or wall.
  3. Select a flat surface for assembling the grill vent hood. Place covering over that surface.

2. Pivot the back edge of the filter towards the back of the grill vent hood.
3. Drop the front edge of the filter down and remove.

## Wood Mounting Strip Installation

1. Determine and mark the centerline on the wall where the grill vent hood will be installed.
 

Based on the ceiling or soffit height, determine the distance "X" (30" [76.2 cm] min, 36" [91.4 cm] max) needed between the cooking surface and the bottom of the grill vent hood. To this distance, add 15 1/8" (43.8 cm) and draw a horizontal line (A) about 24" (61.0 cm) long centered on the vertical centerline (B) at this distance for the wood mounting strip.



- A. Horizontal line - mounting strip location
- B. 15 1/8" (43.8 cm) - bottom of vent hood to mounting strip location
- C. Distance "X" (30" [76.2 cm] min, suggested 36" [91.4 cm] max) - cooking surface to bottom of vent hood
- D. Vertical centerline
- E. Cooking surface

2. Locate and mark the wall studs along the horizontal line.
3. Center the 1" x 4" (2.5 x 10.2 cm) wood mounting strip above the horizontal line.

## ⚠ WARNING

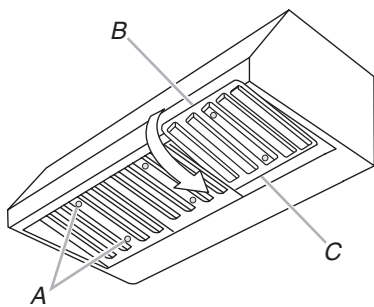
### Excessive Weight Hazard

**Use two or more people to move and install grill vent hood.**  
**Failure to do so can result in back or other injury.**

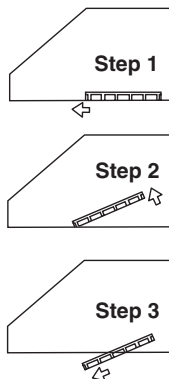
4. Using 2 or more people, lift grill vent hood onto covered surface. Tip the hood on its back and remove filters and set aside.

### To Remove Filters:

1. Using the filter handles, pull filter towards the front of the grill vent hood.

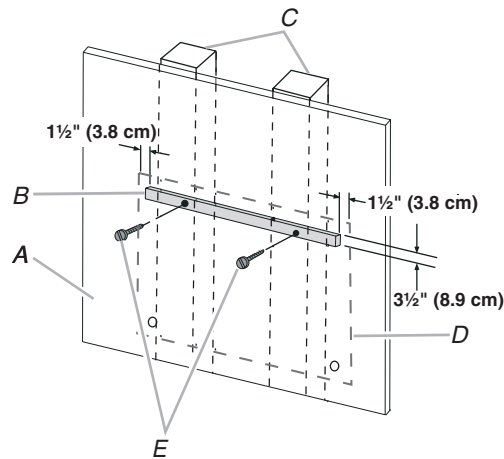


- A. Filter handles
- B. Front edge of filter
- C. Back edge of filter



- Use 2 - #10 Phillips head screws to secure the mounting strip to the wall. Tighten screws securely.

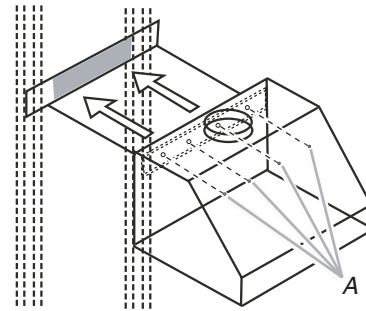
**IMPORTANT:** Ensure that the wood mounting strip is attached to every available wall stud.



- A. Non-combustible material
- B. Wood mounting strip
- C. Wall studs
- D. Back of hood outline
- E. 2 - #10 mounting screws

## Install Grill Vent Hood

- Using 2 or more people, lift the grill vent hood onto the mounting strip.



A. 4 - #10 mounting screws

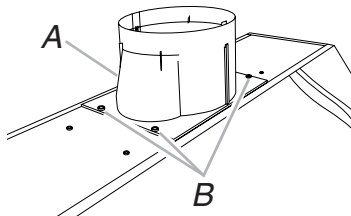
- Center and level the recess on the back of the grill vent hood onto the mounting strip.
- Securely fasten 4 - #10 mounting screws (not supplied) through the grill vent hood, mounting strip and into the wall.

### Optional Step:

After the grill vent hood is attached to the wood mounting strip, it may be further secured by installing 2 screws into the wall from the inside of the grill vent hood. It may be necessary to drill through the back wall of the grill vent hood to do so.

## Attach Metal Transition Duct Piece

- Place the metal transition duct piece over the vent openings in the top of the grill vent hood.
- Securely fasten with 4 - #10 sheet metal screws using a #2 Phillips screwdriver.



- A. Transition duct piece
- B. #10 sheet metal screws

## Complete Preparation

- Determine and make all necessary cuts for the vent system. Install the vent system before installing the grill vent hood. See the "Venting Requirements" section.
- Determine the location where the power supply cable will be run.
- Drill a 1 1/4" (3.2 cm) hole at this location.
- Pull enough power supply cable through to allow for easy connection to the terminal box.

## Make Electrical Connection

### ⚠ WARNING



#### Electrical Shock Hazard

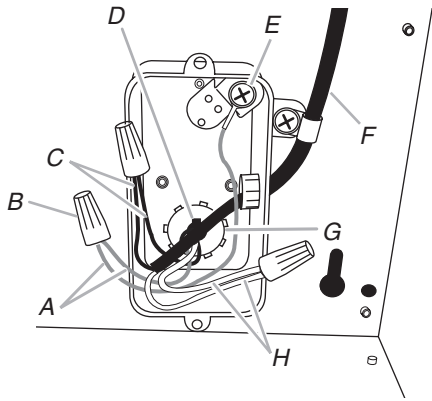
**Disconnect power before servicing.**

**Replace all parts and panels before operating.**

**Failure to do so can result in death or electrical shock.**

- Disconnect power.
- Remove terminal box cover.
- Remove the knockout in the terminal box cover and install a UL listed or CSA approved 1/2" strain relief.

- Run 3 wires, black, white and green, in ½" conduit from service panel to terminal box. Use caulking to seal openings.



- A. Green (or bare) ground wire from home power supply connected to green ground screw
- B. UL listed wire connectors (3)
- C. Black wires
- D. Home power supply cable
- E. Green ground screw
- F. Grill vent hood power supply cable
- G. Strain relief
- H. White wires

- Use UL listed wire connectors and connect black wires (B) together.
- Use UL listed wire connectors and connect white wires (H) together.

## ⚠ WARNING



### Fire Hazard

**Electrically ground the blower.**

**Use copper wire.**

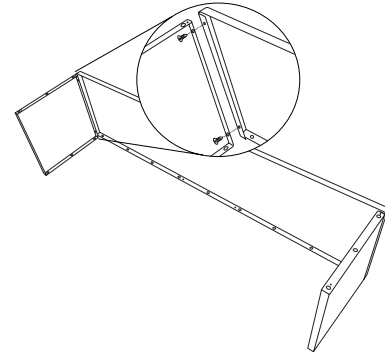
**Connect ground wire to green ground screw in terminal box.**

**Failure to do so can result in death, fire, or electrical shock.**

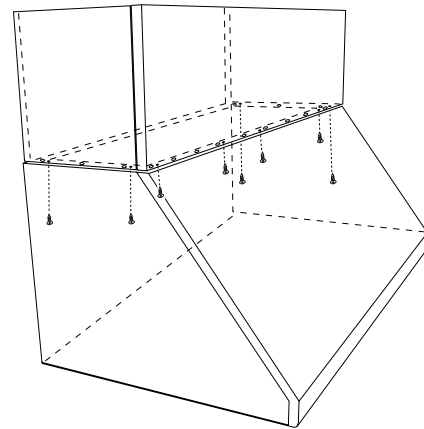
- Connect green (or bare) ground wire from home power supply to the unused green ground wire (A) in the terminal box.
- Tighten strain relief screws.
- Install terminal box cover.
- Using the light bulb removal tool, check all light bulbs to make sure they are secure in their sockets.
- Reconnect power.

## Install Duct Cover (Optional Accessory)

- Use 4 - #10 sheet metal screws to assemble the duct cover sides to duct cover front.



- From inside the grill vent hood, attach duct cover to the top of the grill vent hood using 8 - #10 sheet metal screws.



## Reinstall Grease Filters

See "Metal Grease Filters" in "Grill Vent Hood Care" section.

## Complete Installation

### Check Grill Vent Hood Operation

- Press the light button (B) to turn on the light, press again to turn light off.
- Press fan button (A) "up" to turn fan on Low Speed. Press the fan button "down" to turn fan to High Speed.
- Press fan button (A) to the middle position to turn off the fan.
- If grill vent hood does not operate, check to see whether a circuit breaker has tripped or a household fuse has blown.



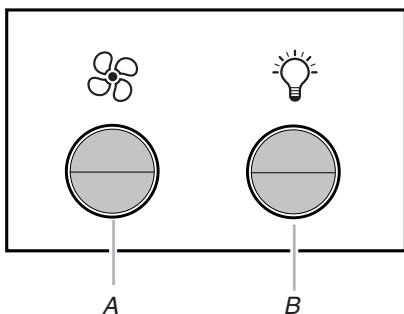
---

# GRILL VENT HOOD USE

The grill vent hood is designed to remove smoke, cooking vapors and odors from the grill area. For best results, start the hood before cooking and allow it to operate several minutes after the cooking is complete to clear all smoke and odors from the area.

## Control Panel

The grill vent hood controls are located on the right-hand front surface of the grill vent hood.



A. Fan on/off and low/high fan speed  
B. Lights on/off

---

## Operating the Light

1. Press the light ON/OFF button (B) to turn on the light.
2. Press the light ON/OFF button (B) to turn off the light.

---

## Operating the Fan and Adjusting Fan Speed

The fan has 2 speeds, Low and High.

1. Press fan button (A) “up” to turn fan on Low Speed. Press the fan button “down” to turn fan to High Speed.
2. Press fan button (A) to the middle position to turn off the fan.

---

## Thermal Overload

The grill vent hood is equipped with a thermal overload to avoid overheating conditions. If the grill vent hood shuts off while in use, press the on/off button to turn off the grill vent hood. Wait approximately 60 minutes, then press the on/off button to restart the grill vent hood.

---

# GRILL VENT HOOD CARE

## Cleaning

**IMPORTANT:** Clean the hood, grease filters and grease trays frequently according to the following instructions. Replace grease filters before operating hood.

Be sure lights are cool before cleaning the hood.

---

### STAINLESS STEEL

**IMPORTANT:** Do not use soap-filled scouring pads, abrasive cleaners, Cooktop Polishing Creme, steel wool, gritty wash cloths or paper towels.

To avoid damage to the stainless steel, do not use cleaners that contain chlorine.

Food soils should be cleaned as soon as entire grill is cool. Soils may cause permanent discoloration.

#### Cleaning Method:

- Rub in direction of grain to avoid scratching or damaging the surface.
- Stainless Steel Cleaner and Polish Part Number 31462 (not included):  
See “Assistance or Service” section to order.
- Liquid detergent or all-purpose cleaner:  
Rinse with clean water and dry with soft, lint-free cloth.
- Glass cleaner to remove fingerprints.

---

### EXTERIOR

The quality of this material resists most stains and pitting, providing that the surface is kept clean and protected.

- Apply stainless steel polish to all areas before first use. Reapply after each cleaning to avoid permanent damage to surface.

- Cleaning should always be followed by rinsing with clean warm water.
- Wipe the surface completely dry with a soft cloth.
- For tough spots or baked-on grease, use Heavy Duty Degreaser Part Number 31552 (not included), a commercial degreaser designed for stainless steel.  
See “Assistance or Service” section to order.

---

### INTERIOR

Discoloration of stainless steel on these parts is to be expected, due to heat from the grill. Always rub in the direction of the grain. Cleaning should always be followed by rinsing with clean, warm water.

#### Cleaning Method:

- Liquid detergent or all-purpose cleaner.
- Rinse with clean water and dry completely with a soft, lint-free cloth.
- A heavy-duty scrub sponge can be used with mild cleaning products.

For small, difficult-to-clean areas, use Heavy Duty Degreaser Part Number 31552 (not included), a commercial degreaser designed for stainless steel.

See “Assistance or Service” section to order.

---

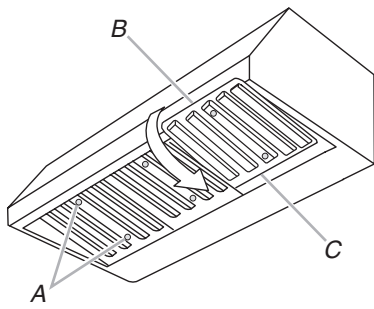
### METAL GREASE FILTERS

The grease filters should be washed frequently. Place grease filters in dishwasher or hot detergent solution to clean.

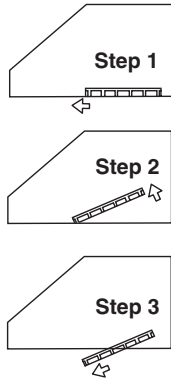
Drain water and let each filter dry thoroughly before replacing it.

## To Remove Metal Grease Filters

1. Turn off fan and lights. Check that halogen lamp is cool. Using the filter handles, pull filter towards the front of the grill vent hood.



A. Filter handles  
B. Front edge of filter  
C. Back edge of filter



2. Pivot the back edge of the filter towards the back of the grill vent hood.
3. Drop the front edge of the filter down and remove.

## To Replace Metal Grease Filters

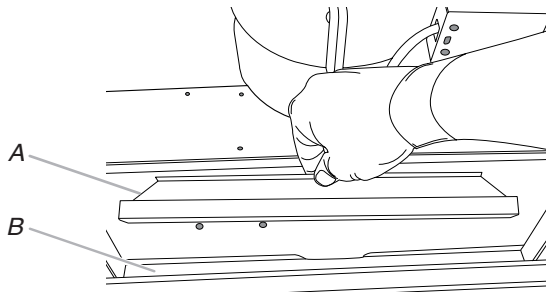
1. Insert the back edge filter into the filter opening.
2. Place the front edge up into place in the channel and firmly press forward, depressing the springs while positioning the back edge of the filter into place in the rear channel.

## METAL GREASE TRAYS

Metal grease trays should be cleaned along with the metal grease filters.

### To Clean:

1. Remove metal grease filters. See “Metal Grease Filters” section.
2. Remove grease trays from the back channel as shown in following illustration. Clean and replace.



A. Grease tray  
B. Back channel of grill vent hood

## Replacing a Halogen Lamp

Turn off the grill vent hood and allow the halogen lamp to cool. Replace using the light bulb removal tool (provided).

If new lamps do not operate, make sure the lamps are inserted correctly before calling service.

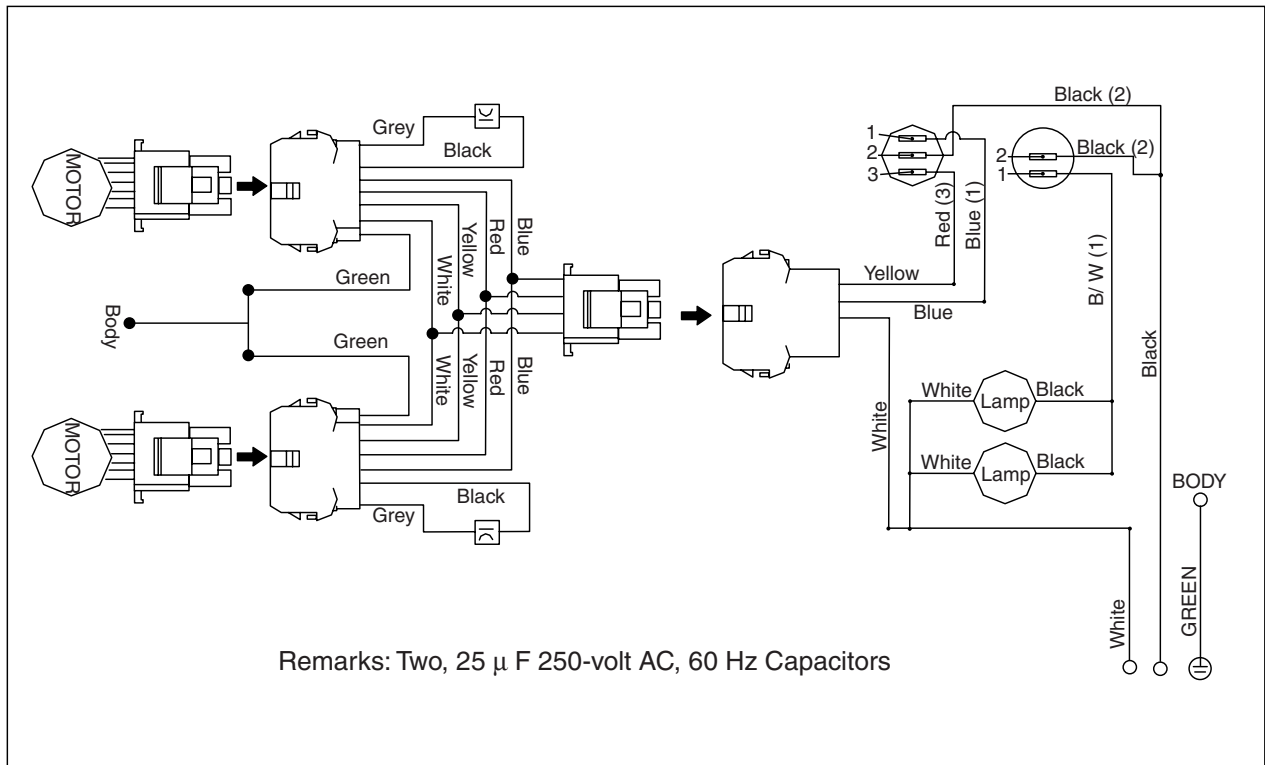
1. Disconnect power.
2. Using the light bulb removal tool, twist the halogen bulb counterclockwise to remove.
3. Replace with a GU10, 120-volt, 35-watt, halogen lamp. Check that the 2 pins on the light bulb are properly inserted in the lamp holder socket holes.



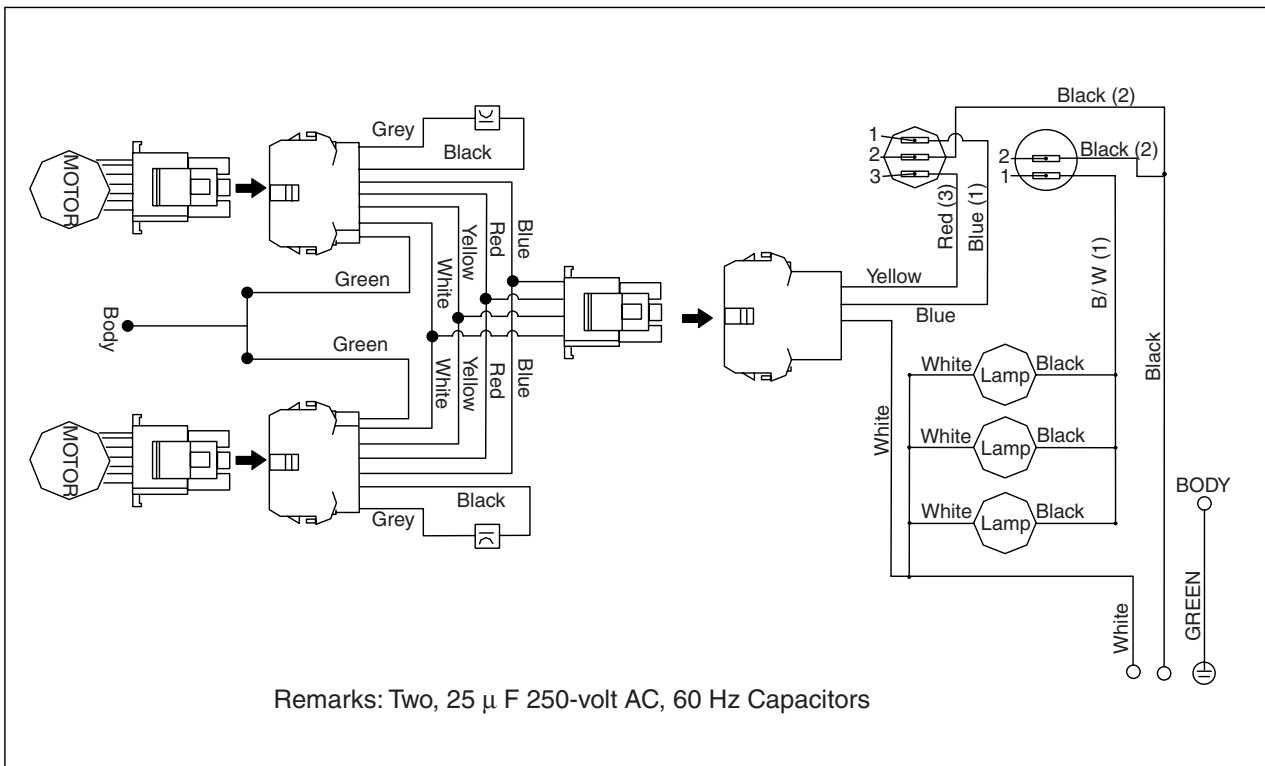
4. Using the light bulb removal tool, replace halogen bulb by twisting it clockwise into the socket.
5. Reconnect power.

# WIRING DIAGRAMS

## 30" (76.2 cm) and 36" (91.4 cm) Models



## 48" (121.9 cm) Model



---

# ASSISTANCE OR SERVICE

---

When calling for assistance or service, please know the purchase date and the complete model and serial number of your appliance. This information will help us to better respond to your request.

## If you need replacement parts

If you need to order replacement parts, we recommend that you use only factory specified parts. Factory specified parts will fit right and work right because they are made with the same precision used to build every new appliance. To locate factory specified parts replacement parts in your area, call us or your nearest Whirlpool designated service center.

---

## In the U.S.A.

Call the Whirlpool Customer eXperience Center toll free: **1-800-253-1301**.

### Our consultants provide assistance with:

- Features and specifications on our full line of appliances.
- Installation information.
- Use and maintenance procedures.
- Accessory and repair parts sales.
- Specialized customer assistance (Spanish speaking, hearing impaired, limited vision, etc.).
- Referrals to local dealers, repair parts distributors and service companies. Whirlpool designated service technicians are trained to fulfill the product warranty and provide after-warranty service, anywhere in the United States.

To locate the Whirlpool designated service company in your area, you can also look in your telephone directory Yellow Pages.

### For further assistance

If you need further assistance, you can write to Whirlpool Corporation with any questions or concerns at:

Whirlpool Brand Home Appliances  
Customer eXperience Center  
553 Benson Road  
Benton Harbor, MI 49022-2692

Please include a daytime phone number in your correspondence.

---

## Accessories

### Outdoor Grill Vent Hood Duct Covers

30" (76.2 cm): Order Part Number W10153151

36" (91.4 cm): Order Part Number W10153152

48" (121.9 cm): Order Part Number W10153153

---

## In Canada

Call the Whirlpool Canada LP Customer Interaction Centre toll free: **1-800-807-6777**.

### Our consultants provide assistance with:

- Features and specifications on our full line of appliances.
- Use and maintenance procedures.
- Accessory and repair parts sales.
- Referrals to local dealers, repair parts distributors, and service companies. Whirlpool Canada LP designated service technicians are trained to fulfill the product warranty and provide after-warranty service, anywhere in Canada.

### For further assistance

If you need further assistance, you can write to Whirlpool Canada LP with any questions or concerns at:

Customer Interaction Centre  
Whirlpool Canada LP  
1901 Minnesota Court  
Mississauga, Ontario L5N 3A7

Please include a daytime phone number in your correspondence.

---

# WHIRLPOOL CORPORATION MAJOR APPLIANCE WARRANTY

---

## LIMITED WARRANTY

For one year from the date of purchase, when this major appliance is operated and maintained according to instructions attached to or furnished with the product, Whirlpool Corporation or Whirlpool Canada LP (hereafter "Whirlpool") will pay for Factory Specified Parts and repair labor to correct defects in materials or workmanship. Service must be provided by a Whirlpool designated service company. This limited warranty is valid only in the United States or Canada and applies only when the major appliance is used in the country in which it was purchased. Outside the 50 United States and Canada, this limited warranty does not apply. Proof of original purchase date is required to obtain service under this limited warranty.

---

## ITEMS EXCLUDED FROM WARRANTY

### This limited warranty does not cover:

1. Service calls to correct the installation of your major appliance, to instruct you on how to use your major appliance, to replace or repair house fuses, or to correct house wiring or plumbing.
2. Service calls to repair or replace appliance light bulbs, air filters or water filters. Consumable parts are excluded from warranty coverage.
3. Repairs when your major appliance is used for other than normal, single-family household use or when it is used in a manner that is contrary to published user or operator instructions and/or installation instructions.
4. Damage resulting from accident, alteration, misuse, abuse, fire, flood, acts of God, improper installation, installation not in accordance with electrical or plumbing codes, or use of consumables or cleaning products not approved by Whirlpool.
5. Cosmetic damage, including scratches, dents, chips or other damage to the finish of your major appliance, unless such damage results from defects in materials or workmanship and is reported to Whirlpool within 30 days from the date of purchase.
6. Any food loss due to refrigerator or freezer product failures.
7. Costs associated with the removal from your home of your major appliance for repairs. This major appliance is designed to be repaired in the home and only in-home service is covered by this warranty.
8. Repairs to parts or systems resulting from unauthorized modifications made to the appliance.
9. Expenses for travel and transportation for product service if your major appliance is located in a remote area where service by an authorized Whirlpool servicer is not available.
10. The removal and reinstallation of your major appliance if it is installed in an inaccessible location or is not installed in accordance with published installation instructions.
11. Major appliances with original model/serial numbers that have been removed, altered or cannot be easily determined. This warranty is void if the factory applied serial number has been altered or removed from your major appliance.

The cost of repair or replacement under these excluded circumstances shall be borne by the customer.

---

## DISCLAIMER OF IMPLIED WARRANTIES; LIMITATION OF REMEDIES

CUSTOMER'S SOLE AND EXCLUSIVE REMEDY UNDER THIS LIMITED WARRANTY SHALL BE PRODUCT REPAIR AS PROVIDED HEREIN. IMPLIED WARRANTIES, INCLUDING WARRANTIES OF MERCHANTABILITY OR FITNESS FOR A PARTICULAR PURPOSE, ARE LIMITED TO ONE YEAR OR THE SHORTEST PERIOD ALLOWED BY LAW. WHIRLPOOL SHALL NOT BE LIABLE FOR INCIDENTAL OR CONSEQUENTIAL DAMAGES. SOME STATES AND PROVINCES DO NOT ALLOW THE EXCLUSION OR LIMITATION OF INCIDENTAL OR CONSEQUENTIAL DAMAGES, OR LIMITATIONS ON THE DURATION OF IMPLIED WARRANTIES OF MERCHANTABILITY OR FITNESS, SO THESE EXCLUSIONS OR LIMITATIONS MAY NOT APPLY TO YOU. THIS WARRANTY GIVES YOU SPECIFIC LEGAL RIGHTS, AND YOU MAY ALSO HAVE OTHER RIGHTS WHICH VARY FROM STATE TO STATE OR PROVINCE TO PROVINCE.

---

If outside the 50 United States and Canada, contact your authorized Whirlpool dealer to determine if another warranty applies.

If you need service, first see the "Troubleshooting" section of the Use & Care Guide. After checking "Troubleshooting," you may find additional help by checking the "Assistance or Service" section or by calling Whirlpool. In the U.S.A., call **1-800-253-1301**. In Canada, call **1-800-807-6777**.

9/07

**Keep this book and your sales slip together for future reference. You must provide proof of purchase or installation date for in-warranty service.**

Write down the following information about your major appliance to better help you obtain assistance or service if you ever need it. You will need to know your complete model number and serial number. You can find this information on the model and serial number label located on the product.

Dealer name \_\_\_\_\_

Address \_\_\_\_\_

Phone number \_\_\_\_\_

Model number \_\_\_\_\_

Serial number \_\_\_\_\_

Purchase date \_\_\_\_\_

---

## Notes

# SÉCURITÉ DE LA HOTTE DE CUISINIÈRE

## Votre sécurité et celle des autres est très importante.

Nous donnons de nombreux messages de sécurité importants dans ce manuel et sur votre appareil ménager. Assurez-vous de toujours lire tous les messages de sécurité et de vous y conformer.



Voici le symbole d'alerte de sécurité.

Ce symbole d'alerte de sécurité vous signale les dangers potentiels de décès et de blessures graves à vous et à d'autres.

Tous les messages de sécurité suivront le symbole d'alerte de sécurité et le mot "DANGER" ou "AVERTISSEMENT". Ces mots signifient :

**⚠ DANGER**

**Risque possible de décès ou de blessure grave si vous ne suivez pas immédiatement les instructions.**

**⚠ AVERTISSEMENT**

**Risque possible de décès ou de blessure grave si vous ne suivez pas les instructions.**

Tous les messages de sécurité vous diront quel est le danger potentiel et vous disent comment réduire le risque de blessure et ce qui peut se produire en cas de non-respect des instructions.

# IMPORTANTES INSTRUCTIONS DE SÉCURITÉ

**AVERTISSEMENT** : POUR RÉDUIRE LE RISQUE D'INCENDIE, CHOC ÉLECTRIQUE OU DOMMAGES CORPORELS, RESPECTER LES INSTRUCTIONS SUIVANTES :

- Utiliser cet appareil uniquement dans les applications envisagées par le fabricant. Pour toute question, contacter le fabricant.
- Avant d'entreprendre un travail d'entretien ou de nettoyage, interrompre l'alimentation de la hotte au niveau du tableau de disjoncteurs, et verrouiller le tableau de disjoncteurs pour empêcher tout rétablissement accidentel de l'alimentation du circuit. Lorsqu'il n'est pas possible de verrouiller le tableau de disjoncteurs, placer sur le tableau de disjoncteurs une étiquette d'avertissement proéminente interdisant le rétablissement de l'alimentation.
- Tout travail d'installation ou câblage électrique doit être réalisé par une personne qualifiée, dans le respect des prescriptions de tous les codes et normes applicables, y compris les codes du bâtiment et de protection contre les incendies.
- Une source d'air de débit suffisant est nécessaire pour le fonctionnement correct de tout appareil à gaz (combustion et évacuation des gaz à combustion par la cheminée), pour qu'il n'y ait pas de reflux des gaz de combustion. Respecter les directives du fabricant de l'équipement de chauffage et les prescriptions des normes de sécurité - comme celles publiées par la National Fire Protection Association (NFPA) et l'American Society for Heating, Refrigeration and Air Conditioning Engineers (ASHRAE), et les prescriptions des autorités réglementaires locales.
- Lors d'opérations de découpage et de perçage dans un mur ou un plafond, veiller à ne pas endommager les câblages électriques ou canalisations qui peuvent s'y trouver.
- Les ventilateurs d'évacuation doivent toujours décharger l'air à l'extérieur.

**MISE EN GARDE** : Cet appareil est conçu uniquement pour la ventilation générale. Ne pas l'utiliser pour l'extraction de matières ou vapeurs dangereuses ou explosives.

**MISE EN GARDE** : Pour minimiser le risque d'incendie et évacuer adéquatement les gaz, veiller à acheminer l'air aspiré par un conduit jusqu'à l'extérieur - ne pas décharger l'air aspiré dans un espace vide du bâtiment comme une cavité murale, un plafond, un grenier, un vide sanitaire ou un garage.

**AVERTISSEMENT** : POUR RÉDUIRE LE RISQUE D'INCENDIE, UTILISER UNIQUEMENT DES CONDUITS MÉTALLIQUES.

**AVERTISSEMENT** : POUR MINIMISER LE RISQUE D'UN FEU DE GRAISSE SUR LA CUISINIÈRE :

- Ne jamais laisser un élément de surface fonctionner à puissance de chauffage maximale sans surveillance. Un renversement/débordement de matière grasseuse pourrait provoquer une inflammation et la génération de fumée. Utiliser une puissance de chauffage moyenne ou basse pour le chauffage d'huile.
- Veiller à toujours faire fonctionner le ventilateur de la hotte lors de la cuisson avec une puissance de chauffage élevée ou lors de la cuisson d'un mets à flamber (à savoir crêpes Suzette, cerise jubilee, steak au poivre flambé).
- Nettoyer fréquemment les ventilateurs d'extraction. Veiller à ne pas laisser la graisse s'accumuler sur les surfaces du ventilateur ou des filtres.
- Utiliser toujours un ustensile de taille appropriée. Utiliser toujours un ustensile adapté à la taille de l'élément chauffant.

**AVERTISSEMENT** : POUR RÉDUIRE LE RISQUE DE DOMMAGES CORPORELS APRÈS LE DÉCLENCHEMENT D'UN FEU DE GRAISSE SUR LA CUISINIÈRE, APPLIQUER LES RECOMMANDATIONS SUIVANTES :<sup>a</sup>

- Placer sur le récipient un couvercle bien ajusté, une tôle à biscuits ou un plateau métallique **POUR ÉTOUFFER LES FLAMMES**, puis éteindre le brûleur. **VEILLER À ÉVITER LES BRÛLURES**. Si les flammes ne s'éteignent pas immédiatement, **ÉVACUER LA PIÈCE ET APPELER LES POMPIERS**.
- **NE JAMAIS PRENDRE EN MAIN UN RÉCIPIENT ENFLAMMÉ** - vous risquez de vous brûler.
- **NE PAS UTILISER D'EAU**, ni un torchon humide - ceci pourrait provoquer une explosion de vapeur brûlante.
- Utiliser un extincteur **SEULEMENT** si :
  - Il s'agit d'un extincteur de classe ABC, dont on connaît le fonctionnement.
  - Il s'agit d'un petit feu encore limité à l'endroit où il s'est déclaré.
  - Les pompiers ont été contactés.
  - Il est possible de garder le dos orienté vers une sortie pendant l'opération de lutte contre le feu.

<sup>a</sup>Recommandations tirées des conseils de sécurité en cas d'incendie de cuisine publiés par la NFPA.

- **AVERTISSEMENT** : Pour réduire le risque d'incendie ou de choc électrique, ne pas utiliser ce ventilateur avec un quelconque dispositif de réglage de la vitesse à semi-conducteurs.

## CONSERVEZ CES INSTRUCTIONS



# EXIGENCES D'INSTALLATION

## Outillage et pièces

Rassembler les outils et pièces nécessaires avant de commencer l'installation. Lire et suivre les instructions fournies avec les outils indiqués ici.

### Outils nécessaires

- Niveau
- Perceuse avec foret de 1-1/4" (3,0 cm)
- Crayon
- Pince à dénuder ou couteau utilitaire
- Mètre-ruban ou règle
- Pince
- Pistolet à calfeutrage et composé de calfeutrage résistant aux intempéries
- Scie sauteuse ou scie à guichet
- Tournevis à lame plate
- Cisaille de ferblantier
- Tournevis Phillips
- Ciseaux

### Pièces nécessaires

- Câble d'alimentation électrique du domicile
- Serre-câble de 1 - 1/2" (12,7 mm) [homologation UL ou CSA]
- 1 bouche de décharge (décharge à travers le mur ou à travers le toit)
- Conduit d'évacuation métallique
- Brides de serrage pour conduit d'évacuation
- 6 à 8 vis n° 10 ou plus grandes pour monter la hotte et la bride de montage en bois (quantité et type déterminés en fonction de la taille de la hotte et du type de mur). Si on utilise des vis plus grandes, les trous dans la hotte devront être agrandis.
- Bride de montage en bois de 1" x 4" (2,5 cm x 10,2 cm) [longueur déterminée par la largeur de la hotte]

### Pièces fournies

Retirer les pièces des emballages. Vérifier que toutes les pièces sont présentes.

- 2 filtres à graisse métalliques, pour modèle 30" (76,2 cm)
- 3 filtres à graisse métalliques, pour modèle 36" (91,4 cm)
- 4 filtres à graisse métalliques, pour modèle 48" (121,9 cm)
- Conduit de connexion métallique
- 8 vis Phillips n° 10 pour le conduit de connexion
- 3 connecteurs de fils homologués UL
- Outil de désinstallation de l'ampoule de la lampe

## Exigences d'emplacement

**IMPORTANT :** Observer les dispositions de tous les codes et règlements en vigueur.

Demander à un technicien qualifié d'installer la hotte de cuisinière. C'est à l'installateur qu'incombe la responsabilité de respecter les distances de séparation spécifiées sur la plaque signalétique de l'appareil. La plaque signalétique (numéros de modèle et de série) est située à l'intérieur de la hotte, sur la paroi arrière.

On doit toujours installer la hotte à distance des sources de courant d'air (fenêtres, portes et bouches de chauffage).

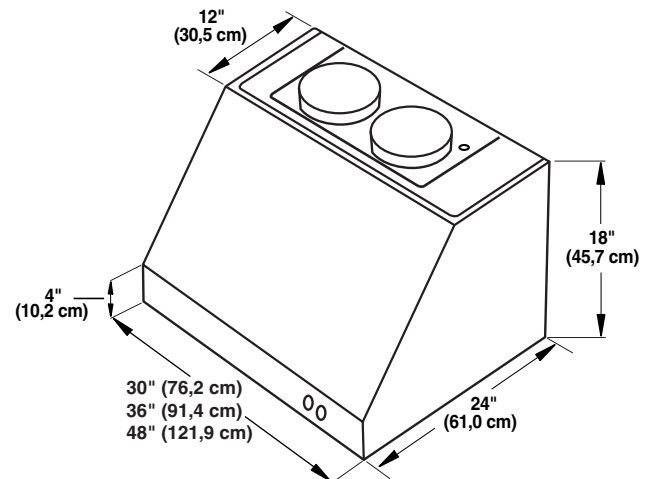
On doit disposer d'une prise de courant électrique reliée à la terre. Voir la section "Spécifications électriques".

La hotte est configurée à l'usine pour la décharge à travers le toit ou un mur.

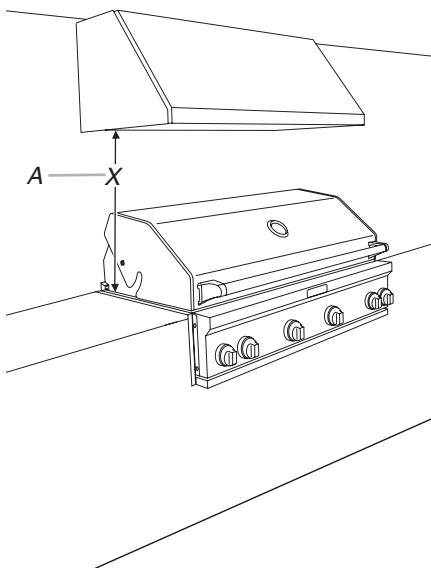
On doit assurer l'étanchéité au niveau de chaque ouverture découpée dans le plafond ou un mur traversé par l'équipement de la hotte.

## Dimensions du produit

### Installation avec circuit d'évacuation



## Dimensions de l'installation



A. Distance " X " (min. de 30" [76,2 cm], max. suggéré de 36" [91,4 cm])

**\*REMARQUE :** Le cache-conduit de la hotte est conçu pour ajouter 12" (30,5 cm) pour respecter la hauteur du plafond ou du soffite. Selon le modèle, commander :

La pièce numéro W10153151 pour les modèles de 30" (76,2 cm),  
La pièce numéro W10153152 pour les modèles de 36" (91,4 cm),  
et

La pièce numéro W10153153 pour les modèles de 48" (121,9 cm).

### IMPORTANT :

Valeur minimale de la distance "X" : 30" (76,2 cm)  
Valeur maximale suggérée pour la distance "X" : 36" (91,4 cm)

## Exigences concernant l'évacuation

- Le système doit décharger l'air à l'extérieur.
- Ne pas terminer le conduit d'évacuation dans un grenier ou dans un autre espace fermé.
- Ne pas utiliser une bouche de décharge murale de 4" (10,2 cm) normalement utilisée pour un équipement de buanderie.
- Utiliser un conduit métallique uniquement. Un conduit en métal rigide est recommandé. Ne pas utiliser un conduit de plastique ou en feuille métallique.
- La longueur du système d'évacuation et le nombre de coudes doit être réduit au minimum pour fournir la meilleure performance.

## Pour un fonctionnement efficace et silencieux :

- Ne pas utiliser plus de trois coudes à 90°.
- Veiller à ce qu'il y ait une section droite de conduit de 24" (61,0 cm) ou plus entre deux coudes, si on doit utiliser plus d'un raccord coudé.
- Ne pas installer 2 coudes ensemble.
- Au niveau de chaque jointure du conduit de décharge, assurer l'étanchéité avec les brides de serrage pour conduit.
- Le système d'évacuation doit comporter un clapet. Si la bouche de décharge murale ou par le toit comporte un clapet, ne pas utiliser le clapet fourni avec la hotte de cuisinière.
- Autour de la bouche de décharge à l'extérieur, assurer l'étanchéité avec un produit de calfeutrage.
- La taille du conduit doit être uniforme.

## Méthodes d'évacuation

Cette hotte d'aération de gril est configurée à l'usine avec décharge à l'extérieur à travers le toit ou le mur.

Un circuit d'évacuation en conduit rond de 10" (25,4 cm) est nécessaire pour l'installation (non fourni). La hotte comporte une ouverture de sortie de diamètre 10" (25,4 cm).

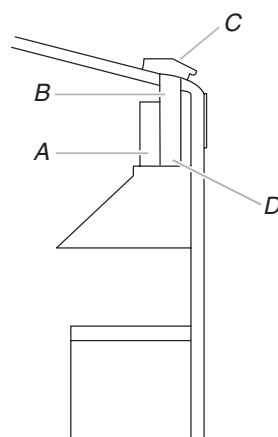
**REMARQUE :** On déconseille l'emploi d'un conduit flexible. Un conduit flexible peut causer une rétro-pression et des turbulences de l'air, ce qui réduit considérablement la performance.

La décharge à l'extérieur du circuit d'évacuation peut se faire à travers le toit ou à travers le mur. Pour la sortie à travers un mur, on doit employer un raccord coudé à 90°.

### Décharge par l'arrière

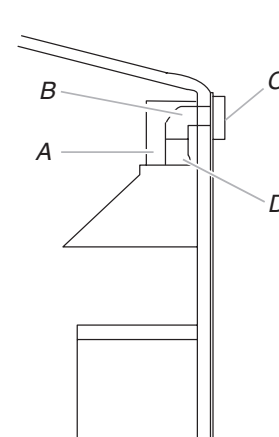
Le raccord coudé à 90° peut être installé immédiatement au-dessus de la hotte.

#### Décharge à travers le toit



A. Cache-conduit esthétique facultatif  
B. Conduit dia. 10" (25,4 cm)  
C. Bouche de décharge sur toit  
D. Connexion d'évacuation circulaire de 10" (25,4 cm)



#### Décharge à travers le mur



A. Cache-conduit esthétique facultatif  
B. Conduit dia. 10" (25,4 cm) et coudé  
C. Bouche de décharge murale  
D. Connexion d'évacuation circulaire de 10" (25,4 cm)

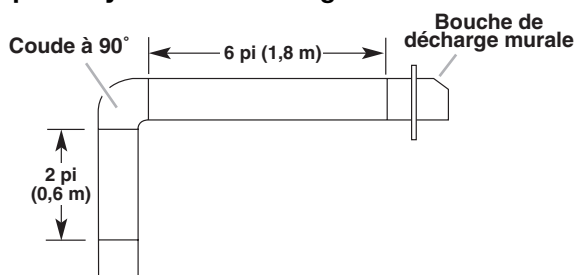
## Calcul de la longueur effective du circuit d'évacuation

Pour calculer la longueur effective du circuit d'évacuation nécessaire, additionner les longueurs équivalentes (pieds/mètres) de tous les composants utilisés dans le système.

Composant	Conduit de diamètre 10" (25,4 cm)	
Coude à 45°	2,5 pi (0,8 m)	
Coude à 90°	5 pi (1,5 m)	

La longueur équivalente maximum est de 35 pi (10,7 m).

### Exemple de système de décharge



Dans l'exemple suivant, la longueur théorique du circuit est inférieure au maximum de 35 pi (10,7 m).

1 - coude à 90°	= 5 pi (1,5 m)
1 - bouche de décharge murale	= 0 pi (0 m)
Section droite de 8 pi (2,4 m)	= 8 pi (2,4 m)
Longueur du circuit d'évacuation	= 13 pi (3,9 m)

## Spécifications électriques

Observer les dispositions de tous les codes et règlements en vigueur.

L'installation électrique doit satisfaire les exigences de la plus récente édition de la norme National Electrical Code, ANSI/NFPA 70, ou de la norme CSA C22. 1-94, Code canadien de l'électricité, partie 1 et C22.2 N° 0-M91 (dernière édition) et de tous les codes et règlements en vigueur.

Si les codes le permettent et si on utilise un conducteur distinct de liaison à la terre, il est recommandé qu'un électricien qualifié vérifie la qualité de la liaison à la terre.

Pour obtenir un exemplaire de la norme des codes ci-dessus, contacter :

National Fire Protection Association  
One Batterymarch Park  
Quincy, MA 02269  
CSA International  
8501 East Pleasant Valley Road  
Cleveland, OH 44131-5575

- L'appareil doit être alimenté par un circuit de 120 V, CA seulement, 60 Hz, 15 ampères, protégé par fusible.
- Si le domicile est équipé d'un câblage en aluminium, suivre les instructions suivantes :

1. Connecter une section de câble en cuivre massif aux conducteurs en queue de cochon.
2. Connecter le câblage en aluminium à la section ajoutée de câblage en cuivre en utilisant des connecteurs et/ou des outils spécialement conçus et homologués UL pour fixer le cuivre à l'aluminium.

Appliquer la procédure recommandée par le fabricant des connecteurs. La connexion aluminium/cuivre doit être conforme aux codes locaux et aux pratiques de câblage acceptées par l'industrie.

- Le calibre des conducteurs et les connexions doivent être compatibles avec la demande de courant de l'appareil spécifiée sur la plaque signalétique. La plaque signalétique de l'appareil est située derrière le filtre, sur la paroi arrière de la hotte.
- Le calibre des conducteurs doit satisfaire les exigences de la plus récente édition de la norme National Electrical Code, ANSI/NFPA 70, ou de la norme CSA C22. 1-94, Code canadien de l'électricité, partie 1 et C22.2 No 0-M91 (dernière édition) et de tous les codes et règlements en vigueur.

# INSTRUCTIONS D'INSTALLATION

## Préparation de l'emplacement

- Il est recommandé d'installer le conduit de décharge avant de procéder à l'installation de la hotte.
  - Avant d'exécuter les découpages, vérifier la disponibilité d'un espace de passage suffisant dans le plafond ou le mur pour le conduit d'évacuation.
  - Avant de sélectionner la hotte à installer, mesurer la hauteur libre sous plafond et la hauteur maximum disponible sous la hotte.
1. Déconnecter la source de courant électrique.
  2. Déterminer la méthode d'extraction à utiliser : à travers le toit ou à travers le mur.
  3. Sélectionner une surface plane pour l'assemblage de la hotte. Placer le matériau de protection sur cette surface.

### **⚠ AVERTISSEMENT**

#### Risque du poids excessif

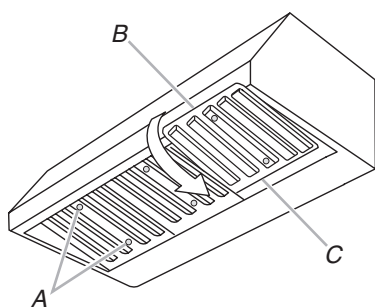
Utiliser deux ou plus de personnes pour déplacer et installer la hotte du grill.

Le non-respect de cette instruction peut causer une blessure au dos ou d'autre blessure.

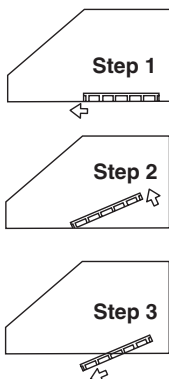
4. À l'aide de deux personnes ou plus, soulever la hotte et la poser sur une surface couverte. Placer la hotte sur son dos, retirer les filtres et les mettre de côté.

#### Dépose des filtres :

1. En utilisant les poignées du filtre, tirer le filtre vers l'avant de la hotte.



A. Poignées du filtre  
B. Bord avant du filtre  
C. Bord arrière du filtre

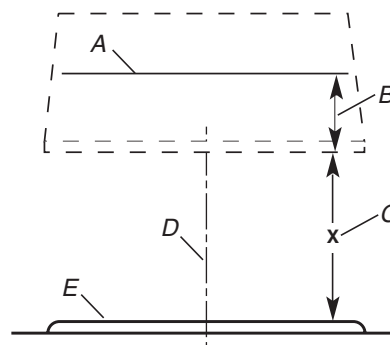


2. Faire pivoter le bord arrière du filtre vers l'arrière de la hotte.
3. Laisser tomber le bord avant du filtre et le retirer.

## Installation de la bride de montage en bois de la hotte

1. Déterminer et marquer l'axe central sur le mur où la hotte doit être installée.

En se basant sur la hauteur du plafond ou du soffite, déterminer la distance "X" (30" [76,2 cm] min, 36" [91,4 cm] max) nécessaire entre la surface de cuisson et le bas de la hotte. À cette distance, ajouter 15 1/8" (43,8 cm) et tracer une ligne horizontale (A) d'environ 24" (61,0 cm) de longueur centrée sur la ligne verticale (B) pour l'installation de la bride de montage en bois.

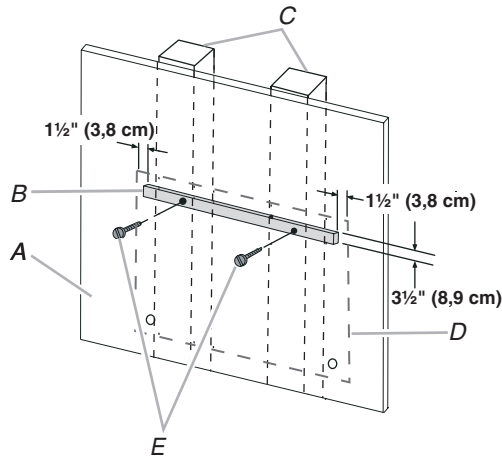


A. Ligne horizontale - emplacement de la bride de montage  
B. Distance de 15 1/8" (43,8 cm) entre le bas de la hotte et l'emplacement des tringles d'appui.  
C. Distance "X" (min. de 30" [76,2 cm], max. suggéré de 36" [91,4 cm]) entre la surface de cuisson et le bas de la hotte  
D. Axe central vertical  
E. Surface de cuisson

2. Localiser et marquer les poteaux de colombage sur la ligne horizontale.
3. Centrer la tringle d'appui en bois de 1" x 4" (2,5 x 10,2 cm) au-dessus de la ligne horizontale.

- Utiliser deux vis Phillips n° 10 pour fixer la bride de montage sur le mur. Bien serrer les vis.

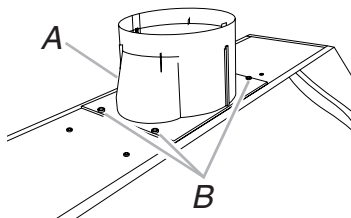
**IMPORTANT :** S'assurer que la bride de montage en bois est fixée à chaque poteau de colombage.



- A. Matériau non-combustible
- B. Bride de montage en bois
- C. Poteaux muraux
- D. Arrière de la hotte
- E. 2 vis de montage n° 10

### Fixation du conduit de connexion métallique

- Placer le conduit de connexion métallique sur les ouvertures d'évacuation au sommet de la hotte.
- Bien serrer quatre vis à tôle n° 10 à l'aide d'un tournevis Phillips n° 2.



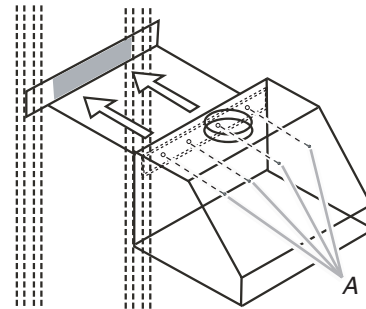
- A. Conduit de connexion
- B. Vis de tôle n° 10

### Achever la préparation

- Déterminer et marquer toutes les lignes de découpage nécessaires pour le passage du circuit d'évacuation. Installer le système d'évacuation avant la hotte. Voir la section "Exigences concernant l'évacuation".
- Déterminer l'emplacement du câble d'alimentation.
- Percer un trou de 1 1/4" (3,2 cm) à cet emplacement.
- Tirer suffisamment de câble d'alimentation pour permettre une connexion facile au boîtier de connexion.

## Installation de la hotte de cuisinière

- À l'aide de deux personnes ou plus, soulever la hotte de cuisinière sur la bride de montage.



A. 4 vis de montage N° 10

- Centrer et mettre à niveau le renforcement à l'arrière de la hotte de cuisinière sur la bride de montage.
- Bien serrer 4 vis de montage n° 10 (non fournies) à travers la hotte de cuisinière, la bride de montage et dans le mur.

### Étape facultative :

Après avoir fixé la hotte de cuisinière à la bride de montage en bois, elle peut être renforcée en installant 2 vis dans le mur à l'intérieur de la hotte de cuisinière. Il peut être nécessaire de percer un trou dans la paroi arrière de la hotte pour effectuer cette opération.

## Raccordement électrique

### ⚠ AVERTISSEMENT



#### Risque de choc électrique

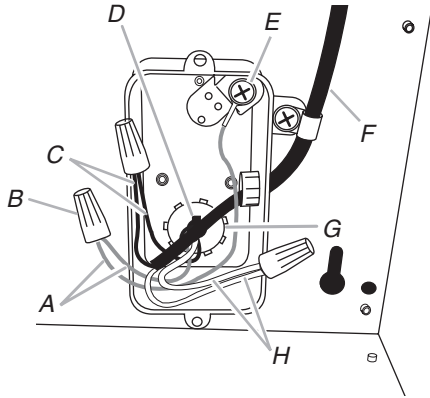
**Déconnecter la source de courant électrique avant l'entretien.**

**Replacer pièces et panneaux avant de faire la remise en marche.**

**Le non-respect de ces instructions peut causer un décès ou un choc électrique.**

- Déconnecter la source de courant électrique.
- Ôter le couvercle de la boîte de connexion.
- Ôter l'opercule arrachable sur le couvercle de la boîte de connexion et installer un serre-câble de 1/2" (homologation UL ou CSA).

4. Acheminer 3 conducteurs (noir, blanc et vert) dans un conduit de  $\frac{1}{2}$ " entre le tableau de distribution et la boîte de connexion. Utiliser un calfeutrant pour assurer l'étanchéité au niveau de chaque ouverture découpée.



- A. Conduiteur de liaison à la terre vert (ou nu) de la prise électrique du domicile relié à la vis verte de liaison à la terre  
 B. 3 connecteurs de fils homologués UL  
 C. Conducteurs noirs  
 D. Câble d'alimentation électrique du domicile  
 E. Vis verte de liaison à la terre  
 F. Câble d'alimentation électrique de la hotte de cuisinière  
 G. Serre-câble  
 H. Conducteurs blancs

5. Utiliser les connecteurs de fils homologués UL et connecter les conducteurs noirs (B) ensemble.  
 6. Utiliser les connecteurs de fils homologués UL et connecter les conducteurs blancs (H) ensemble.

## **⚠ AVERTISSEMENT**



### **Risque d'incendie**

**Relier le ventilateur à la terre.**

**Utiliser du fil en cuivre.**

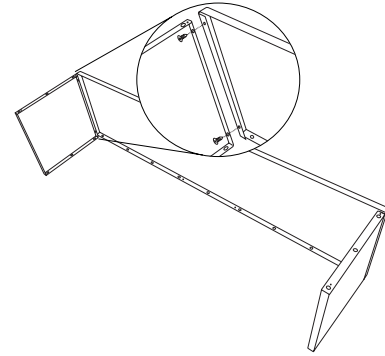
**Brancher le fil relié à la terre à la vis verte reliée à la terre dans la boîte de la borne.**

**Le non-respect de ces instructions peut causer un décès, un incendie ou un choc électrique.**

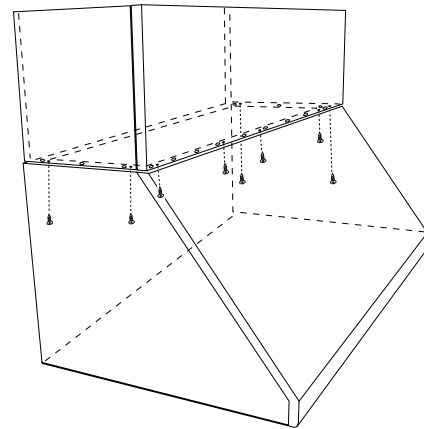
7. Connecter le conducteur vert (ou nu) de liaison à la terre au câble vert inutilisé d'alimentation à la terre (A) dans le boîtier de connexion.  
 8. Serrer les vis du serre-câble.  
 9. Installer le couvercle de la boîte de connexion.  
 10. En utilisant l'outil de désinstallation de l'ampoule de la lampe, vérifier toutes les ampoules et s'assurer qu'elles sont fixées dans les douilles.  
 11. Reconnecter la source de courant électrique.

## **Installation du cache-conduit (accessoire en option)**

1. Assembler les côtés du cache-conduit sur la surface avant du cache-conduit à l'aide de 4 vis de tôlerie n° 10.



2. À partir de l'intérieur de la hotte, fixer le cache-conduit au sommet de la hotte à l'aide de 8 vis de tôlerie n° 10.



## **Réinstallation des filtres à graisse**

Voir "Filtres à graisse métalliques" dans la section "Entretien de la hotte".

## **Achever l'installation**

### **Vérification du fonctionnement de la hotte**

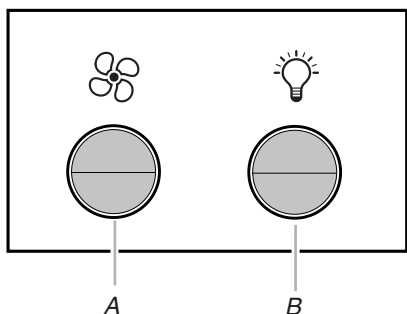
1. Appuyer sur le bouton de commande d'éclairage (B) pour allumer la lumière. Appuyer de nouveau pour éteindre la lumière.  
 2. Appuyer sur le bouton de commande du ventilateur "up" (A) pour placer le ventilateur sur vitesse basse. Appuyer sur le bouton de commande du ventilateur "down" pour placer le ventilateur sur vitesse élevée.  
 3. Placer le bouton de ventilateur (A) à la position du milieu pour éteindre le ventilateur.  
 4. Si la hotte ne fonctionne pas, vérifier que le disjoncteur n'est pas ouvert et qu'aucun fusible n'est grillé.

# UTILISATION DE LA HOTTE

La hotte est conçue pour extraire fumée, vapeurs de cuisson et odeurs de la table de cuisson. Pour obtenir les meilleurs résultats, mettre le ventilateur de la hotte en marche avant d'entreprendre une cuisson, et laisser le ventilateur fonctionner pendant plusieurs minutes après l'achèvement d'une cuisson pour pouvoir évacuer de la cuisine toute trace d'odeur de cuisson, vapeur ou fumée.

## Panneau de commande

Les commandes de la hotte sont situées sur la droite du panneau avant de la hotte.



A. Marche/arrêt du ventilateur et vitesse du ventilateur basse/élevée

B. Lampes allumées/éteintes

## Fonctionnement de l'éclairage

1. Appuyer sur le bouton ON/OFF (marche/arrêt) (B) pour allumer la lampe.
2. Appuyer sur le bouton ON/OFF (marche/arrêt) (B) pour éteindre la lampe.

## Fonctionnement du ventilateur et réglage de la vitesse du ventilateur

Le ventilateur a deux vitesses : basse et élevée.

1. Appuyer sur le bouton du ventilateur (A) vers le "haut" pour régler le ventilateur à la vitesse faible. Appuyer sur le bouton vers le "bas" pour régler le ventilateur à la vitesse élevée.
2. Appuyer sur le bouton du ventilateur (A) pour le placer en position centrale et éteindre le ventilateur.

## Dispositif de surcharge thermique

La hotte est équipée d'un dispositif de surcharge thermique pour éviter les conditions de surchauffe. Si la hotte s'arrête pendant son utilisation, appuyer sur le bouton marche/arrêt pour l'éteindre. Attendre environ 60 minutes, ensuite, appuyer sur le bouton marche/arrêt pour redémarrer la hotte.

# ENTRETIEN DE LA HOTTE

## Nettoyage

**IMPORTANT :** Nettoyer fréquemment la hotte, les filtres à graisse et les clayettes de récupération de la graisse en suivant les instructions suivantes. Réinstaller les filtres à graisse avant de faire fonctionner la hotte.

Avant d'entreprendre le nettoyage de la hotte, attendre le refroidissement des lampes.

### ACIER INOXYDABLE

**IMPORTANT :** Ne pas utiliser de tampons de récurage savonneux, de nettoyeurs abrasifs, de crème à polir pour table de cuisson, de laine d'acier, de chiffons de lavage rugueux ou d'essuie-tout.

Pour éviter d'endommager les surfaces en acier inoxydable, ne pas utiliser de nettoyeurs contenant du chlore.

Les débris d'aliments doivent être nettoyés dès que le gril a entièrement refroidi. Les débris peuvent causer une décoloration permanente.

#### Méthode de nettoyage :

- Frotter dans la direction du grain pour éviter d'égratigner ou d'endommager la surface.
- Nettoyeur et poli pour acier inoxydable - Pièce n° 31462B (non incluse) : Voir la section "Assistance ou service" pour commander.

- Détergent liquide ou nettoyant tout-usage : Rincer à l'eau propre et sécher avec un chiffon doux sans charpie.
- Nettoyant à vitre pour éliminer les traces de doigts.

### EXTÉRIEUR

La qualité de ce matériau résiste à la plupart des taches et piqûres de corrosion dès lors que la surface est maintenue propre et protégée.

- Appliquer le poli pour acier inoxydable sur toutes les zones avant la première utilisation. Appliquer de nouveau après chaque nettoyage pour éviter les dommages permanents à la surface.
- Le nettoyage doit toujours être suivi d'un rinçage à l'eau tiède propre.
- Essuyer complètement la surface à l'aide d'un chiffon doux.
- Pour les taches tenaces et la graisse incrustée, utiliser le produit de dégraissage intensif, pièce n° 31552B (non incluse), un produit de dégraissage commercial conçu pour l'acier inoxydable. Voir la section "Assistance ou service" pour commander.

## INTÉRIEUR

On doit s'attendre à une décoloration de l'acier inoxydable sur ces pièces, du fait de la chaleur intense provenant du grill. Toujours frotter dans la direction du grain. Le nettoyage doit toujours être suivi d'un rinçage à l'eau tiède propre.

### Méthode de nettoyage :

- Détergent liquide ou nettoyant tout-usage.
- Rincer à l'eau propre et sécher complètement avec un chiffon doux sans charpie.
- Une éponge à gratter robuste peut être utilisée avec des produits détergents doux.

Pour les petites zones difficiles à nettoyer, utiliser le produit de dégraissage intensif, pièce n° 31552B (non incluse), un produit de dégraissage commercial conçu pour l'acier inoxydable. Voir la section "Assistance ou service" pour commander.

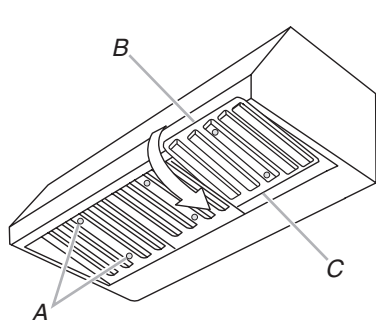
## FILTRES À GRAISSE MÉTALLIQUES

Laver fréquemment les filtres à graisse. Nettoyer les filtres à graisse dans un lave-vaisselle ou dans une solution de détergent chaude.

Laisser l'eau s'écouler à travers chaque filtre et le laisser sécher parfaitement avant de le réinstaller.

### Dépose des filtres à graisse métalliques

1. Éteindre le ventilateur et les lampes. Vérifier que la lampe à halogène est froide. En utilisant les poignées du filtre, tirer le filtre vers l'avant de la hotte.



A. Poignées du filtre  
B. Bord avant du filtre  
C. Bord arrière du filtre

2. Faire pivoter le bord arrière du filtre vers l'arrière de la hotte.
3. Relâcher le bord avant du filtre et le retirer.

### Remplacement des filtres à graisse métalliques

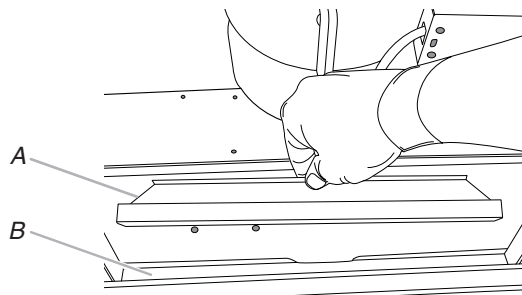
1. Insérer le bord arrière du filtre dans le logement du filtre.
2. Placer le bord avant dans la glissière et pousser fermement vers l'avant, relâcher les ressorts en positionnant le bord arrière du filtre dans la glissière arrière.

## CLAYETTES MÉTALLIQUES POUR RÉCUPÉRATION DE LA GRAISSE

Les clayettes doivent être nettoyées avec les filtres à graisse métalliques.

### Nettoyage :

1. Retirer les filtres à graisse métalliques. Voir la section "Filtres à graisse métalliques".
2. Retirer les clayettes de récupération de la graisse de la glissière arrière, tel qu'illustré ci-après. Nettoyer et réinstaller les pièces.



A. Clayette à graisse  
B. Glissière arrière de la hotte

## Remplacement d'une lampe à halogène

Interrompre l'alimentation de la hotte; attendre le refroidissement de la lampe à halogène. Remplacer l'ampoule en utilisant l'outil de désinstallation de l'ampoule (fourni).

Si les nouvelles lampes ne fonctionnent pas, vérifier que chaque lampe est correctement insérée dans sa douille avant de demander l'intervention d'un réparateur.

1. Déconnecter la source de courant électrique.
2. En utilisant l'outil de désinstallation de l'ampoule, tourner l'ampoule dans le sens antihoraire pour la retirer.
3. Remplacer avec une lampe halogène GU10, de 120 volts et 35 watts.

Vérifier que les deux broches de l'ampoule sont correctement insérées dans les trous de la douille.

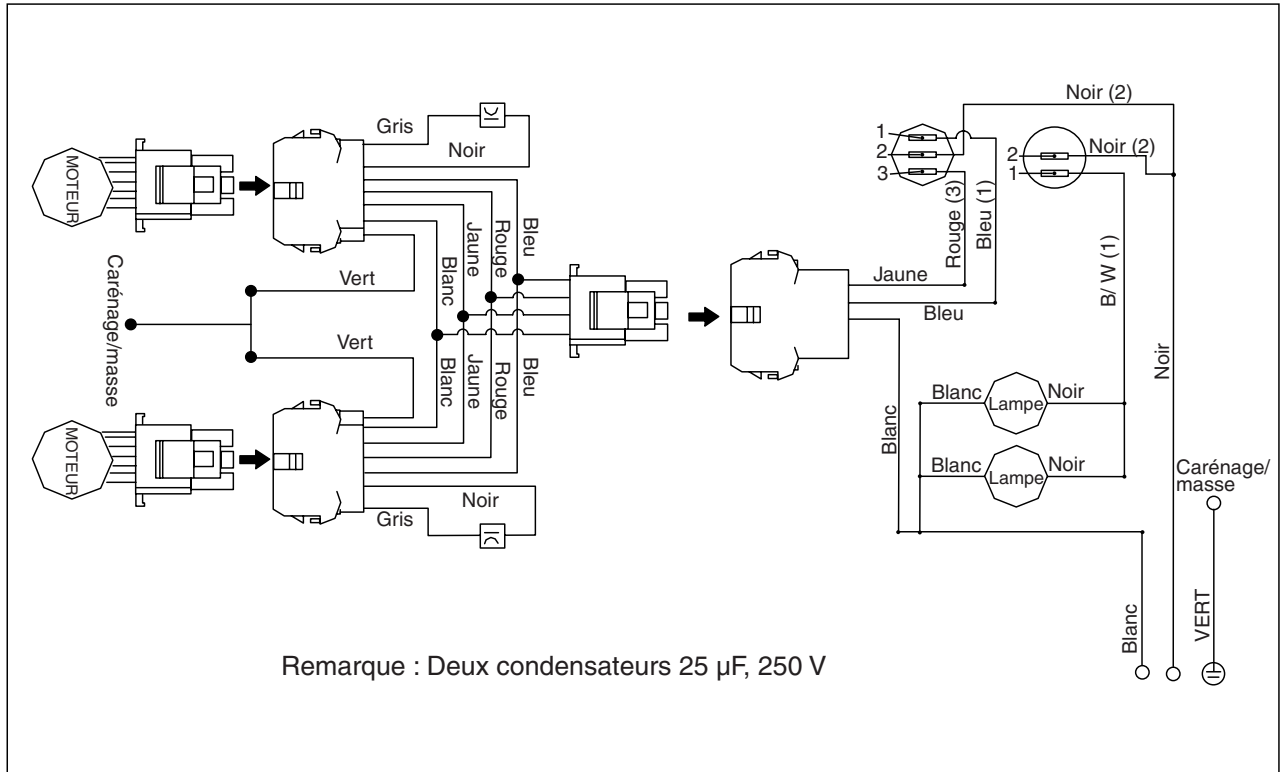


4. En utilisant l'outil de désinstallation de l'ampoule, réinstaller la lampe à halogène dans la douille en tournant dans le sens horaire.
5. Reconnecter la source de courant électrique.

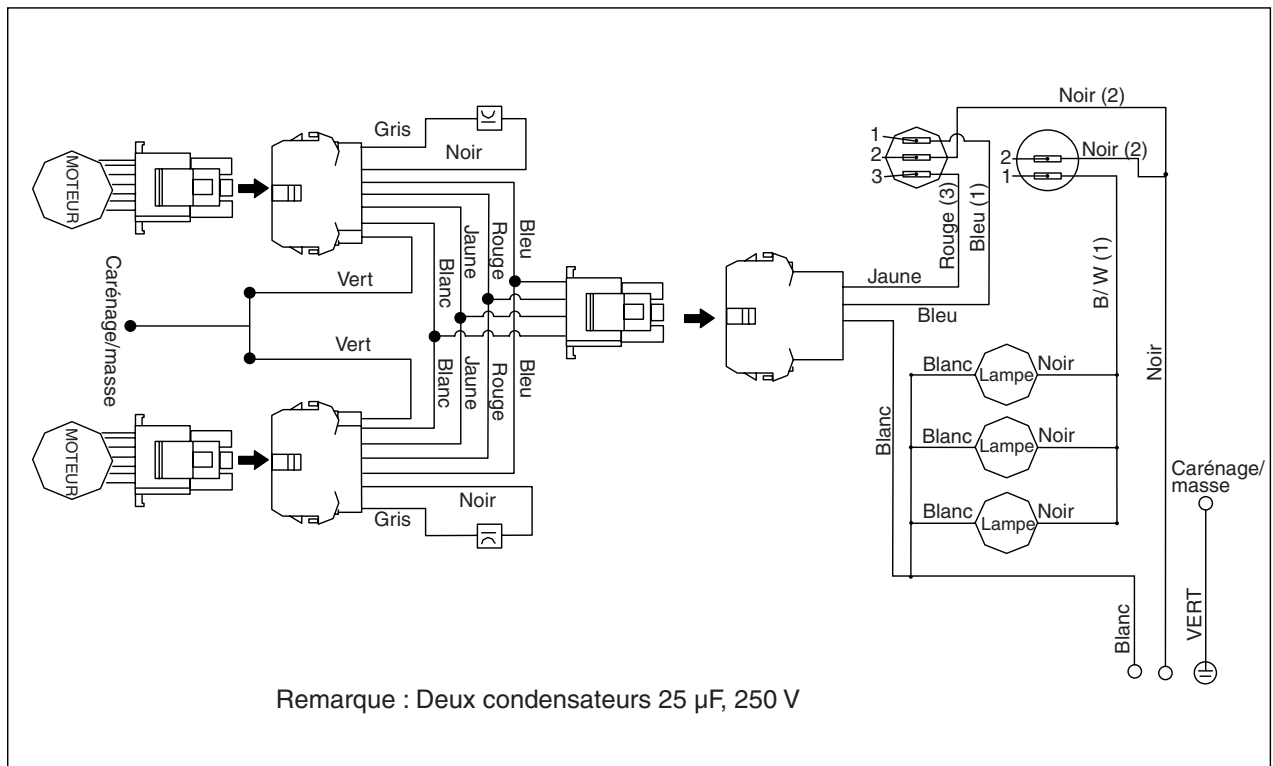


# SCHÉMA DE CÂBLAGE

Modèles 30" (76,2 cm) et 36" (91,4 cm)



Modèle 48" (121,9 cm)



---

# ASSISTANCE OU SERVICE

Lors d'un appel pour assistance ou service, veuillez connaître la date d'achat, le numéro de modèle et le numéro de série au complet de l'appareil. Ces renseignements nous aideront à mieux répondre à votre demande.

## Si vous avez besoin de pièces de rechange

Si vous avez besoin de commander des pièces de rechange, nous vous recommandons d'employer uniquement des pièces spécifiées par l'usine. Les pièces spécifiées par l'usine conviendront et fonctionneront bien parce qu'elles sont fabriquées avec la même précision utilisée dans la fabrication de chaque nouvel appareil. Pour localiser des pièces spécifiées par l'usine dans votre région, nous appeler ou téléphoner au centre de service désigné le plus proche.

---

## Accessoires

### Cache-conduits pour hotte d'extérieur

30" (76,2 cm) : commander la pièce numéro W10153151

36" (91,4 cm) : commander la pièce numéro W10153152

48" (121,9 cm) : commander la pièce numéro W10153153

Veuillez appeler sans frais le Centre d'interaction avec la clientèle de Whirlpool Canada LP au : **1-800-807-6777**.

## Nos consultants vous renseigneront sur les sujets suivants :

- Caractéristiques et spécifications sur toute notre gamme d'appareils électroménagers.
- Consignes d'utilisation et d'entretien.
- Ventes d'accessoires et de pièces de rechange.
- Références aux marchands locaux, aux distributeurs de pièces de rechange et aux compagnies de service. Les techniciens de service désignés par Whirlpool Canada LP sont formés pour remplir la garantie des produits et fournir un service après la garantie, partout au Canada.

## Pour plus d'assistance

Si vous avez besoin de plus d'assistance, vous pouvez soumettre par écrit toute question ou préoccupation à Whirlpool Canada LP à l'adresse suivante :

Centre d'interaction avec la clientèle  
Whirlpool Canada LP  
1901 Minnesota Court  
Mississauga, Ontario L5N 3A7

Veuillez inclure dans votre correspondance un numéro de téléphone où on peut vous joindre dans la journée.

# GARANTIE DES GROS APPAREILS MÉNAGERS WHIRLPOOL CORPORATION

## GARANTIE LIMITÉE

Pendant un an à compter de la date d'achat, lorsque ce gros appareil ménager est utilisé et entretenu conformément aux instructions jointes à ou fournies avec le produit, Whirlpool Corporation ou Whirlpool Canada LP (ci-après désignées "Whirlpool") paiera pour les pièces spécifiées par l'usine et la main-d'œuvre pour corriger les vices de matériaux ou de fabrication. Le service doit être fourni par une compagnie de service désignée par Whirlpool. Cette garantie limitée est valide uniquement aux États-Unis ou au Canada et s'applique exclusivement lorsque l'appareil est utilisé dans le pays où il a été acheté. À l'extérieur du Canada et des 50 États des États-Unis, cette garantie limitée ne s'applique pas. Une preuve de la date d'achat original est exigée pour obtenir un service dans le cadre de la présente garantie limitée.

## ARTICLES EXCLUS DE LA GARANTIE

### La présente garantie limitée ne couvre pas :

1. Les visites de service pour rectifier l'installation du gros appareil ménager, montrer à l'utilisateur comment utiliser l'appareil, remplacer ou réparer des fusibles ou rectifier le câblage ou la plomberie du domicile.
2. Les visites de service pour réparer ou remplacer les ampoules électriques de l'appareil, les filtres à air ou les filtres à eau. Les pièces consommables ne sont pas couvertes par la garantie.
3. Les réparations lorsque le gros appareil ménager est utilisé à des fins autres que l'usage unifamilial normal ou lorsque les instructions d'installation et/ou les instructions de l'opérateur ou de l'utilisateur fournies ne sont pas respectées.
4. Les dommages imputables à : accident, modification, usage impropre ou abusif, incendie, inondation, actes de Dieu, installation fautive ou installation non conforme aux codes d'électricité ou de plomberie, ou l'utilisation de pièces consommables ou de produits nettoyants non approuvés par Whirlpool.
5. Les défauts apparents, notamment les éraflures, les bosses, fissures ou tout autre dommage au fini du gros appareil ménager, à moins que ces dommages soient dus à des vices de matériaux ou de fabrication et soient signalés à Whirlpool dans les 30 jours suivant la date d'achat.
6. Toute perte d'aliments due à une défaillance du réfrigérateur ou du congélateur.
7. Les coûts associés au transport du gros appareil ménager du domicile pour réparation. Ce gros appareil ménager est conçu pour être réparé à domicile et seul le service à domicile est couvert par la présente garantie.
8. Les réparations aux pièces ou systèmes résultant d'une modification non autorisée faite à l'appareil.
9. Les frais de transport pour le service d'un produit si votre gros appareil est situé dans une région éloignée où un service d'entretien Whirlpool autorisé n'est pas disponible.
10. La dépose et la réinstallation de votre gros appareil si celui-ci est installé dans un endroit inaccessible ou n'est pas installé conformément aux instructions d'installation fournies.
11. Les gros appareils ménagers dont les numéros de série et de modèle originaux ont été enlevés, modifiés ou qui ne peuvent pas être facilement identifiés. La présente garantie est nulle si le numéro de série d'usine a été modifié ou enlevé du gros appareil ménager.

Le coût d'une réparation ou des pièces de rechange dans le cadre de ces circonstances exclues est à la charge du client.

## CLAUSE D'EXONÉRATION DE RESPONSABILITÉ AU TITRE DES GARANTIES IMPLICITES; LIMITATION DES RECOURS

LE SEUL ET EXCLUSIF RECOURS DU CLIENT DANS LE CADRE DE LA PRÉSENTE GARANTIE LIMITÉE CONSISTE EN LA RÉPARATION PRÉVUE CI-DESSUS. LES GARANTIES IMPLICITES, Y COMPRIS LES GARANTIES APPLICABLES DE QUALITÉ MARCHANDE ET D'APTITUDE À UN USAGE PARTICULIER, SONT LIMITÉES À UN AN OU À LA PLUS COURTE PÉRIODE AUTORISÉE PAR LA LOI. WHIRLPOOL N'ASSUME AUCUNE RESPONSABILITÉ POUR LES DOMMAGES FORTUITS OU INDIRECTS. CERTAINES JURIDICTIONS NE PERMETTENT PAS L'EXCLUSION OU LA LIMITATION DES DOMMAGES FORTUITS OU INDIRECTS, OU LES LIMITATIONS DE LA DURÉE DES GARANTIES IMPLICITES DE QUALITÉ MARCHANDE OU D'APTITUDE À UN USAGE PARTICULIER, DE SORTE QUE CES EXCLUSIONS OU LIMITATIONS PEUVENT NE PAS S'APPLIQUER DANS VOTRE CAS. CETTE GARANTIE VOUS CONFÈRE DES DROITS JURIDIQUES SPÉCIFIQUES ET VOUS POUVEZ ÉGALEMENT JOUIR D'AUTRES DROITS QUI PEUVENT VARIER D'UNE JURIDICTION À UNE AUTRE.

Si vous résidez à l'extérieur du Canada et des 50 États des États-Unis, contactez votre marchand Whirlpool autorisé pour déterminer si une autre garantie s'applique.

Si vous avez besoin de service, voir d'abord la section "Dépannage" du Guide d'utilisation et d'entretien. Après avoir vérifié la section "Dépannage", de l'aide supplémentaire peut être trouvée en vérifiant la section "Assistance ou service" ou en appelant Whirlpool. Aux É.-U., composer le **1-800-253-1301**. Au Canada, composer le **1-800-807-6777**. 9/07

**Conservez ce manuel et votre reçu de vente ensemble pour référence ultérieure. Pour le service sous garantie, vous devez présenter un document prouvant la date d'achat ou d'installation.**

Inscrivez les renseignements suivants au sujet de votre gros appareil ménager pour mieux vous aider à obtenir assistance ou service en cas de besoin. Vous devrez connaître le numéro de modèle et le numéro de série au complet. Vous trouverez ces renseignements sur la plaque signalétique située sur le produit.

Nom du marchand \_\_\_\_\_

Adresse \_\_\_\_\_

Numéro de téléphone \_\_\_\_\_

Numéro de modèle \_\_\_\_\_

Numéro de série \_\_\_\_\_

Date d'achat \_\_\_\_\_

**W10153187A**

© 2008.  
All rights reserved.  
Tous droits réservés.

2/08  
Printed in Taiwan  
Imprimé à Taïwan