



HP TOUCHSMART

Limited Warranty, Support, and System Recovery Guide

- Warranty, EULA
- Support information
- System recovery
- Safety warnings

Guide de garantie limitée, support et récupération système

- Garantie, CLUF
- Informations sur le support
- Récupération du système
- Consignes de sécurité



Before contacting the HP Customer Care Center, it's important to have the following information handy.

Please take a moment to write down your product information for future reference.

The first four items on the list (Model Number, Product Number, Serial Number, and Software Build Number) can be viewed by pressing the Ctrl+Alt+S keys on the keyboard at the same time.

Model Number: _____

System (Product) Number: _____

Serial Number: _____

Software Build Number: _____

Operating System: _____

Purchase Date: _____

Table of Contents

Hardware Limited Warranty	4
END-USER LICENSE AGREEMENT.....	8
Support Information	11
Repairing Software Problems	13
Operating Specifications	19
Regulatory and Safety Information.....	19

Hardware Limited Warranty

HP Product	Duration
Hardware	One-year limited warranty
	One-year technical support

General Terms

This HP Hardware Limited Warranty gives you, the customer, express limited warranty rights from Hewlett-Packard, the manufacturer. Please refer to HP's Web site for an extensive description of your limited warranty entitlements. In addition, you may also have other legal rights under applicable local law or special written agreement with HP.

HP MAKES NO OTHER EXPRESS WARRANTY OR CONDITION, WHETHER WRITTEN OR ORAL, AND HP EXPRESSLY DISCLAIMS ALL WARRANTIES AND CONDITIONS NOT STATED IN THIS LIMITED WARRANTY. TO THE EXTENT ALLOWED BY THE LOCAL LAW OF JURISDICTIONS OUTSIDE THE UNITED STATES, HP DISCLAIMS ALL IMPLIED WARRANTIES OR CONDITIONS, INCLUDING ANY IMPLIED WARRANTIES OF MERCHANTABILITY AND FITNESS FOR A PARTICULAR PURPOSE. FOR ALL TRANSACTIONS OCCURRING IN THE UNITED STATES, ANY IMPLIED WARRANTY OR CONDITION OF MERCHANTABILITY, SATISFACTORY QUALITY, OR FITNESS FOR A PARTICULAR PURPOSE IS LIMITED TO THE DURATION OF THE EXPRESS WARRANTY SET FORTH ABOVE. SOME STATES OR COUNTRIES/REGIONS DO NOT ALLOW A LIMITATION ON HOW LONG AN IMPLIED WARRANTY LASTS OR THE EXCLUSION OR LIMITATION OF INCIDENTAL OR CONSEQUENTIAL DAMAGES FOR CONSUMER PRODUCTS. IN SUCH STATES OR COUNTRIES/REGIONS, SOME EXCLUSIONS OR LIMITATIONS OF THIS LIMITED WARRANTY MAY NOT APPLY TO YOU.

THE LIMITED WARRANTY TERMS CONTAINED IN THIS STATEMENT, EXCEPT TO THE EXTENT LAWFULLY PERMITTED, DO NOT EXCLUDE, RESTRICT, OR MODIFY BUT ARE IN ADDITION TO THE MANDATORY STATUTORY RIGHTS APPLICABLE TO THE SALE OF THIS PRODUCT TO YOU.

This Limited Warranty is applicable in all countries/regions and may be enforced in any country/region where HP or its authorized service providers offer warranty service for the same product model number subject to the terms and conditions set forth in this Limited Warranty.

Under the HP Global Limited Warranty program, products purchased in one country/region may be transferred to another country/region, where HP or its authorized service providers offer warranty service for the same product model number, without voiding the warranty. Warranty terms, service availability, and service response times may vary from country/region to country/region. Standard warranty service response time is subject to change due to local parts

availability. If so, your HP authorized service provider can provide you with details.

HP is not responsible for any tariffs or duties that may be incurred in transferring the products. Transfer of the products may be covered by export controls issued by the United States or other governments.

This Limited Warranty applies only to HP-branded and Compaq-branded hardware products (collectively referred to in this Limited Warranty as "HP Hardware Products") sold by or leased from Hewlett-Packard Company, its worldwide subsidiaries, affiliates, authorized resellers, or country/region distributors (collectively referred to in this Limited Warranty as "HP") with this Limited Warranty. The term "HP Hardware Product" is limited to the hardware components and required firmware. The term "HP Hardware Product" DOES NOT include any software applications or programs; non-HP products or non-HP branded peripherals. All non-HP products or non-HP branded peripherals external to the HP Hardware Product—such as external storage subsystems, displays, printers, and other peripherals—are provided "AS IS" without HP warranty. However, non-HP manufacturers and suppliers, or publishers may provide their own warranties directly to you.

HP warrants that the HP Hardware Products that you have purchased or leased from HP are free from defects in materials or workmanship under normal use during the Limited Warranty Period. The Limited Warranty Period starts on the date of purchase or lease from HP or from the date HP completes installation. Your dated sales or delivery receipt, showing the date of purchase or lease of the product, is your proof of the purchase or lease date. You may be required to provide proof of purchase or lease as a condition of receiving warranty service. You are entitled to hardware warranty service according to the terms and conditions of this document if a repair to your HP Hardware Product is required within the Limited Warranty Period.

Unless otherwise stated, and to the extent permitted by local law, new HP Hardware Products may be manufactured using new materials or new and used materials equivalent to new in performance and reliability. HP may repair or replace HP Hardware Products (a) with new or previously used products or parts equivalent to new in performance and reliability or (b) with equivalent products to an original product that has been discontinued. Replacement parts are warranted to be free from defects in material or workmanship for ninety (90) days or, for the remainder of the Limited Warranty Period of the HP Hardware Product they are replacing or in which they are installed, whichever is longer.

HP will, at its discretion, repair or replace any component or hardware product that manifests a defect in materials or workmanship during the Limited Warranty Period. All component parts or hardware products removed under this

Limited Warranty become the property of HP. In the unlikely event that your HP Hardware Product has recurring failures, HP, at its sole discretion, may elect to provide you with (a) a replacement unit of HP's choosing that is the same or equivalent to your HP Hardware Product in performance or (b) to give you a refund of your purchase price or lease payments (less interest) instead of a replacement. This is your exclusive remedy for defective products.

Exclusions

HP does not warrant that the operation of this product will be uninterrupted or error-free. HP is not responsible for damage that occurs as a result of your failure to follow the instructions intended for the HP Hardware Product.

This Limited Warranty does not apply to expendable or consumable parts and does not extend to any product from which the serial number has been removed or that has been damaged or rendered defective (a) as a result of accident, misuse, abuse, contamination, improper or inadequate maintenance or calibration, or other external causes; (b) by operation outside the usage parameters stated in the user documentation that shipped with the product; (c) by software, interfacing, parts, or supplies not supplied by HP; (d) by improper site preparation or maintenance; (e) by virus infection; (f) from loss or damage in transit; or (g) by modification or service by anyone other than (i) HP, (ii) an HP authorized service provider, or (iii) your own installation of end-user-replaceable HP or HP-approved parts if available for your product in the servicing country/region.

YOU SHOULD MAKE PERIODIC BACKUP COPIES OF THE DATA STORED ON YOUR HARD DRIVE OR OTHER STORAGE DEVICES AS A PRECAUTION AGAINST POSSIBLE FAILURES, ALTERATION, OR LOSS OF THE DATA. BEFORE RETURNING ANY UNIT FOR SERVICE, BE SURE TO BACK UP DATA AND REMOVE ANY CONFIDENTIAL, PROPRIETARY, OR PERSONAL INFORMATION. HP IS NOT RESPONSIBLE FOR DAMAGE TO OR LOSS OF ANY PROGRAMS, DATA, OR REMOVABLE STORAGE MEDIA. HP IS NOT RESPONSIBLE FOR THE RESTORATION OR REINSTALLATION OF ANY PROGRAMS OR DATA OTHER THAN SOFTWARE INSTALLED BY HP WHEN THE PRODUCT IS MANUFACTURED. UNITS SENT IN FOR SERVICE MAY HAVE THE DATA ERASED FROM THE HARD DRIVE AND THE PROGRAMS RESTORED TO THEIR ORIGINAL STATE.

Exclusive Remedy

TO THE EXTENT ALLOWED BY APPLICABLE LOCAL LAW, THESE TERMS AND CONDITIONS CONSTITUTE THE COMPLETE AND EXCLUSIVE WARRANTY AGREEMENT BETWEEN YOU AND HP REGARDING THE HP HARDWARE PRODUCT YOU HAVE PURCHASED OR LEASED. THESE TERMS AND CONDITIONS SUPERSEDE ANY PRIOR AGREEMENTS OR REPRESENTATIONS—INCLUDING

REPRESENTATIONS MADE IN HP SALES LITERATURE OR ADVICE GIVEN TO YOU BY HP OR AN AGENT OR EMPLOYEE OF HP—THAT MAY HAVE BEEN MADE IN CONNECTION WITH YOUR PURCHASE OR LEASE OF THE HP HARDWARE PRODUCT. No change to the conditions of this Limited Warranty is valid unless it is made in writing and signed by an authorized representative of HP.

Limitation of Liability

IF YOUR HP HARDWARE PRODUCT FAILS TO WORK AS WARRANTED ABOVE, HP'S MAXIMUM LIABILITY UNDER THIS LIMITED WARRANTY IS EXPRESSLY LIMITED TO THE LESSER OF THE PRICE YOU HAVE PAID FOR THE PRODUCT OR THE COST OF REPAIR OR REPLACEMENT OF ANY HARDWARE COMPONENTS THAT MALFUNCTION IN CONDITIONS OF NORMAL USE.

EXCEPT AS INDICATED ABOVE, IN NO EVENT WILL HP BE LIABLE FOR ANY DAMAGES CAUSED BY THE PRODUCT OR THE FAILURE OF THE PRODUCT TO PERFORM, INCLUDING ANY LOST PROFITS OR SAVINGS OR SPECIAL, INCIDENTAL, OR CONSEQUENTIAL DAMAGES. HP IS NOT LIABLE FOR ANY CLAIM MADE BY A THIRD PARTY OR MADE BY YOU FOR A THIRD PARTY.

THIS LIMITATION OF LIABILITY APPLIES WHETHER DAMAGES ARE SOUGHT, OR A CLAIM MADE, UNDER THIS LIMITED WARRANTY OR AS A TORT CLAIM (INCLUDING NEGLIGENCE AND STRICT PRODUCT LIABILITY), A CONTRACT CLAIM, OR ANY OTHER CLAIM. THIS LIMITATION OF LIABILITY CANNOT BE WAIVED OR AMENDED BY ANY PERSON. THIS LIMITATION OF LIABILITY WILL BE EFFECTIVE EVEN IF YOU HAVE ADVISED HP OR AN AUTHORIZED REPRESENTATIVE OF HP OF THE POSSIBILITY OF ANY SUCH DAMAGES. THIS LIMITATION OF LIABILITY, HOWEVER, WILL NOT APPLY TO CLAIMS FOR PERSONAL INJURY.

THIS LIMITED WARRANTY GIVES YOU SPECIFIC LEGAL RIGHTS. YOU MAY ALSO HAVE OTHER RIGHTS THAT MAY VARY FROM STATE TO STATE OR FROM COUNTRY/REGION TO COUNTRY/REGION. YOU ARE ADVISED TO CONSULT APPLICABLE STATE OR COUNTRY/REGION LAWS FOR A FULL DETERMINATION OF YOUR RIGHTS.

Limited Warranty Period

The Limited Warranty Period for an HP Hardware Product is a specified, fixed period commencing on the date of purchase. The date on your sales receipt is the date of purchase unless HP or your reseller informs you otherwise in writing.

Types of Warranty Service

To enable HP to provide the best possible support and service during the Limited Warranty Period, you may be directed by HP to verify configurations, load most recent firmware, install software patches, run HP diagnostics tests, or use HP remote support solutions where applicable.

HP strongly encourages you to accept the use of or to employ available support technologies provided by HP. If you choose not to deploy available remote support capabilities, you may incur additional costs due to increased support resource requirements. Listed below are the types of warranty support service that may be applicable to the HP Hardware Product you have purchased.

Customer Self Repair Warranty Service

In countries/regions where it is available, your HP Limited Warranty may include a customer self repair warranty service. If applicable, HP will determine in its sole discretion that customer self repair is the appropriate method of warranty service. If so, HP will ship approved replacement parts directly to you to fulfill your HP Hardware Product warranty service. This will save considerable repair time. After you contact the HP Technical Support Center and the fault diagnosis identifies that the problem can be fixed using one of these parts, a replaceable part can be sent directly to you. Once the part arrives, replace the defective part pursuant to the provided instructions and documentation. If further assistance is required, call the HP Technical Support Center, and a technician will assist you over the phone. In cases where the replacement part must be returned to HP, you must ship the defective part back to HP within a defined period of time, normally thirty (30) days. The defective part must be returned with the associated documentation in the provided shipping material. Failure to return the defective product may result in HP billing you for the replacement. With a customer self repair, HP will pay all shipping and part return costs and determine the courier/carrier to be used. If customer self repair applies to you, please refer to your specific HP Hardware Product announcement. You can also obtain information on this warranty service on the HP Web site at: <http://www.hp.com/support>

Pickup and Return Warranty Service

Your HP Limited Warranty may include a pickup and return warranty service. Under the terms of pickup and return service, HP will pick up the defective unit from your location, repair it, and return it back to your location. HP will incur all repair, logistics, and insurance costs in this process.

Carry-in Warranty Service

Under the terms of carry-in service, you will be required to deliver your HP Hardware Product to an authorized service location for warranty repair. You must prepay any shipping charges, taxes, or duties associated with transportation of the product to and from the service location. In addition, you are responsible for insuring any product shipped or returned to an authorized service location and assume risk of loss during shipping.

In-Home Warranty Service

Your HP Limited Warranty service may include on-site labor support to repair your hardware. HP provides on-site service during standard office hours. Standard office hours are typically 8:00am to 5:00pm, Monday through Friday, but may vary with local business practices. If your location is outside the customary service zone (typically 30 mi/50 km), response times may be longer or there may be additional charges. To locate the nearest HP authorized service provider refer to the HP Web site at:

<http://www.hp.com/support>

HP may, at its sole discretion, determine if on-site warranty service is required. For example, in many cases, the defect can be fixed by the use of a Customer Self Repair (CSR) part that you are required to replace yourself based on instructions and documentation provided by HP. You are also required to cooperate with HP in attempting to resolve the problem over the telephone. This may involve performing routine diagnostic procedures, installing software updates or patches, removing third-party options, and/or substituting options. In order to receive on-site support, you must (a) have a representative present when HP provides warranty services at your site; (b) notify HP if products are being used in an environment that poses a potential health or safety hazard to HP employees or subcontractors; (c) subject to its reasonable security requirements, provide HP with sufficient, free, and safe access to and use of all facilities, information, and systems determined necessary by HP to provide timely support; (d) ensure that all manufacturer's labels (such as serial numbers) are in place, accessible, and legible; (e) maintain an environment consistent with product specifications and supported configurations.

If you require an HP representative to handle all component replacements, support uplift contracts are available at additional cost.

Service Upgrades

HP has a range of additional support and service coverage for your product that can be purchased locally. However, some support and related products may not be available in all countries/regions. For information on availability of service upgrades and the cost for these service upgrades, refer to the HP Web site at:

<http://www.hp.com/support>

Options and Software Limited Warranties

The Limited Warranty terms and conditions for most HP-branded options (HP Options) are as set forth in the Limited Warranty applicable to the HP Option and are included in the HP Option product packaging. If your HP Option is installed in an HP Hardware Product, HP may provide warranty service for either the period specified in the warranty documents (HP Option Limited Warranty Period) that shipped with the HP Option or for the remaining warranty period of the HP Hardware Product in which the HP Option is being installed, whichever period is the longer, but not to exceed three (3) years from the date you purchased the HP Option. The HP Option Limited Warranty Period starts from the date of purchase from HP or an HP authorized reseller. Your dated sales or delivery receipt, showing the date of purchase of the HP Option, is your warranty start date. See your HP Option Limited Warranty for more details. Non-HP options are provided "AS IS." However, non-HP manufacturers and suppliers may provide warranties directly to you.

EXCEPT AS PROVIDED IN THE APPLICABLE SOFTWARE END-USER LICENSE OR PROGRAM LICENSE AGREEMENT, OR IF OTHERWISE PROVIDED UNDER LOCAL LAW, SOFTWARE PRODUCTS, INCLUDING ANY SOFTWARE PRODUCTS, FREWARE (AS DEFINED BELOW), AND THE OPERATING SYSTEM PREINSTALLED BY HP ARE PROVIDED "AS IS" AND WITH ALL FAULTS, AND HP HEREBY DISCLAIMS ALL OTHER WARRANTIES AND CONDITIONS, EITHER EXPRESS, IMPLIED, OR STATUTORY, INCLUDING, BUT NOT LIMITED TO, WARRANTIES OF TITLE AND NON-INFRINGEMENT, ANY IMPLIED WARRANTIES, DUTIES, OR CONDITIONS OF MERCHANTABILITY, OF FITNESS FOR A PARTICULAR PURPOSE, AND OF LACK OF VIRUSES. Some states/jurisdictions do not allow exclusion of implied warranties or limitations on the duration of implied warranties, so the above disclaimer may not apply to you in its entirety. TO THE MAXIMUM EXTENT PERMITTED BY APPLICABLE LAW, IN NO EVENT SHALL HP OR ITS SUPPLIERS BE LIABLE FOR ANY SPECIAL, INCIDENTAL, INDIRECT, OR CONSEQUENTIAL DAMAGES WHATSOEVER (INCLUDING, BUT NOT LIMITED TO, DAMAGES FOR LOSS OF PROFITS OR CONFIDENTIAL OR OTHER INFORMATION, FOR BUSINESS INTERRUPTION, FOR PERSONAL INJURY, FOR LOSS OF PRIVACY ARISING OUT OF OR IN ANY WAY RELATED TO THE USE OF OR INABILITY TO USE THE SOFTWARE PRODUCT) EVEN IF HP OR ANY SUPPLIER HAS BEEN ADVISED OF THE POSSIBILITY OF SUCH DAMAGES AND EVEN IF THE REMEDY FAILS OF ITS ESSENTIAL PURPOSE. Some states/jurisdictions do not allow the exclusion or limitation of incidental or consequential damages, so the above limitation or exclusion may not apply to you.

HP's only warranty obligations with respect to software distributed by HP under the HP brand name are set forth in the applicable end-user license or program license

agreement provided with that software. If the removable media on which HP distributes the software proves to be defective in materials or workmanship within ninety (90) days of purchase, your sole remedy shall be to return the removable media to HP for replacement. For blank tape removable media, refer to the following Web site:

<http://h20000.www2.hp.com/bizsupport/TechSupport/Document.jsp?objectID=lpg50101>

It is your responsibility to contact non-HP manufacturers or suppliers for their warranty support.

Software Technical Support

Software technical support for your HP software, HP preinstalled third-party software, and third-party software purchased from HP is available from HP via multiple contact methods, including electronic media and telephone, for one year from date of purchase. See "Contacting HP" for online resources and telephone support. Any exceptions to this will be specified in your End-User License Agreement (EULA).

Software technical support includes assistance with:

- Installation, reinstallation questions and software update information.
- Setting up and configuring software.
- Troubleshooting to determine system or software usage problems.
- Basic steps of using non-HP software; advanced feature support for HP software.

Software technical support does NOT include assistance with:

- Non-HP software that doesn't ship with computing product.
- Installing HP software on non-HP computing products.
- System optimization and customization.
- Non-PC-based network configuration.
- Advanced feature usage on non-HP software.

Contacting HP

If your product fails during the Limited Warranty Period and the suggestions in the product documentation do not solve the problem, you can receive support by doing the following:

Locate your nearest HP Support location via the Web at:
<http://www.hp.com/support>

Contact your authorized HP dealer or authorized service provider, and be sure to have the following information available before you call:

- Product serial number, model name, and model number
- Applicable error messages
- Add-on options
- Operating system
- Third-party hardware or software
- Detailed questions

END-USER LICENSE AGREEMENT

PLEASE READ CAREFULLY BEFORE USING THIS EQUIPMENT: This End-User license Agreement (“EULA”) is a legal agreement between (a) you (either an individual or a single entity) and (b) Hewlett-Packard Company (“HP”) that governs your use of any Software Product, installed on or made available by HP for use with your HP product (“HP Product”), that is not otherwise subject to a separate license agreement between you and HP or its suppliers. Other software may contain a EULA in its online documentation. The term “Software Product” means computer software and may include associated media, printed materials and “online” or electronic documentation. An amendment or addendum to this EULA may accompany the HP Product.

RIGHTS IN THE SOFTWARE PRODUCT ARE OFFERED ONLY ON THE CONDITION THAT YOU AGREE TO ALL TERMS AND CONDITIONS OF THIS EULA. BY INSTALLING, COPYING, DOWNLOADING, OR OTHERWISE USING THE SOFTWARE PRODUCT, YOU AGREE TO BE BOUND BY THE TERMS OF THIS EULA. IF YOU DO NOT ACCEPT THESE LICENSE TERMS, YOUR SOLE REMEDY IS TO RETURN THE ENTIRE UNUSED PRODUCT (HARDWARE AND SOFTWARE) WITHIN 14 DAYS FOR A REFUND SUBJECT TO THE REFUND POLICY OF YOUR PLACE OF PURCHASE.

1. GRANT OF LICENSE. HP grants you the following rights provided you comply with all terms and conditions of this EULA:

a. Use. You may use the Software Product on a single computer (“Your Computer”). If the Software Product is provided to you via the internet and was originally licensed for use on more than one computer, you may install and use the Software Product only on those computers. You may not separate component parts of the Software Product for use on

How to Check Warranty and Support Entitlement

Please check **<http://www.hp.com/support>** for warranty, service and support and product information updates.

more than one computer. You do not have the right to distribute the Software Product. You may load the Software Product into Your Computer’s temporary memory (RAM) for purposes of using the Software Product.

b. Storage. You may copy the Software Product into the local memory or storage device of the HP Product.

c. Copying. You may make archival or back-up copies of the Software Product, provided the copy contains all of the original Software Product’s proprietary notices and that it is used only for back-up purposes.

d. Reservation of Rights. HP and its suppliers reserve all rights not expressly granted to you in this EULA.

e. Freeware. Notwithstanding the terms and conditions of this EULA, all or any portion of the Software Product which constitutes non-proprietary HP software or software provided under public license by third parties (“Freeware”), is licensed to you subject to the terms and conditions of the software license agreement accompanying such Freeware whether in the form of a discrete agreement, shrink wrap license or electronic license terms accepted at time of download. Use of the Freeware by you shall be governed entirely by the terms and conditions of such license.

f. Recovery Solution. Any software recovery solution provided with/for your HP Product, whether in the form of a hard disk drive-based solution, an external media-based recovery solution (e.g. floppy disk, CD or DVD) or an equivalent solution delivered in any other form, may only be used for restoring the hard disk of the HP Product with/for which the recovery solution was originally purchased. The use of any Microsoft operating system software contained in such recovery solution shall be governed by the Microsoft License Agreement.

2. UPGRADES. To use a Software Product identified as an upgrade, you must first be licensed for the original Software Product identified by HP as eligible for the upgrade. After upgrading, you may no longer use the original Software Product that formed the basis for your upgrade eligibility.

3. ADDITIONAL SOFTWARE. This EULA applies to updates or supplements to the original Software Product provided by HP unless HP provides other terms along with the update or supplement. In case of a conflict between such terms, the other terms will prevail.

4. TRANSFER.

a. Third Party. The initial user of the Software Product may make a one-time transfer of the Software Product to another end user. Any transfer must include all component parts, media, printed materials, this EULA, and if applicable, the Certificate of Authenticity. The transfer may not be an indirect transfer, such as a consignment. Prior to the transfer, the end user receiving the transferred product must agree to all the EULA terms. Upon transfer of the Software Product, your license is automatically terminated.

b. Restrictions. You may not rent, lease or lend the Software Product or use the Software Product for commercial timesharing or bureau use. You may not sublicense, assign or transfer the license or Software Product except as expressly provided in this EULA.

5. PROPRIETARY RIGHTS. All intellectual property rights in the Software Product and user documentation are owned by HP or its suppliers and are protected by law, including but not limited to United States copyright, trade secret, and trademark law, as well as other applicable laws and international treaty provisions. You shall not remove any product identification, copyright notices or proprietary restrictions from the Software Product.

6. LIMITATION ON REVERSE ENGINEERING. You may not reverse engineer, decompile, or disassemble the Software Product, except and only to the extent that the right to do so is mandated under applicable law notwithstanding this limitation or it is expressly provided for in this EULA.

7. TERM. This EULA is effective unless terminated or rejected. This EULA will also terminate upon conditions set forth elsewhere in this EULA or if you fail to comply with any term or condition of this EULA.

8. CONSENT TO USE OF DATA. You agree that HP and its affiliates may collect and use technical information you provide in relation to support services related to the Software Product. HP agrees not to use this information in a form that personally identifies you except to the extent necessary to provide such services.

9. DISCLAIMER OF WARRANTIES. TO THE MAXIMUM EXTENT PERMITTED BY APPLICABLE LAW, HP AND ITS SUPPLIERS PROVIDE THE SOFTWARE PRODUCT "AS IS" AND WITH ALL FAULTS, AND HEREBY DISCLAIM ALL OTHER WARRANTIES AND CONDITIONS, EITHER EXPRESS, IMPLIED, OR STATUTORY, INCLUDING, BUT NOT LIMITED TO, WARRANTIES OF TITLE AND NON-INFRINGEMENT, ANY IMPLIED WARRANTIES, DUTIES OR CONDITIONS OF MERCHANTABILITY, OF FITNESS FOR A PARTICULAR PURPOSE, AND OF LACK OF VIRUSES ALL WITH REGARD TO THE SOFTWARE PRODUCT. Some states/jurisdictions do not allow exclusion of implied warranties or limitations on the duration of implied warranties, so the above disclaimer may not apply to you in its entirety.

10. LIMITATION OF LIABILITY. Notwithstanding any damages that you might incur, the entire liability of HP and any of its suppliers under any provision of this EULA and your exclusive remedy for all of the foregoing shall be limited to the greater of the amount actually paid by you separately for the Software Product or U.S. \$5.00. TO THE MAXIMUM EXTENT PERMITTED BY APPLICABLE LAW, IN NO EVENT SHALL HP OR ITS SUPPLIERS BE LIABLE FOR ANY SPECIAL, INCIDENTAL, INDIRECT, OR CONSEQUENTIAL DAMAGES WHATSOEVER (INCLUDING, BUT NOT LIMITED TO, DAMAGES FOR LOSS OF PROFITS OR CONFIDENTIAL OR OTHER INFORMATION, FOR BUSINESS INTERRUPTION, FOR PERSONAL INJURY, FOR LOSS OF PRIVACY ARISING OUT OF OR IN ANY WAY RELATED TO THE USE OF OR INABILITY TO USE THE SOFTWARE PRODUCT, OR OTHERWISE IN CONNECTION WITH ANY PROVISION OF THIS EULA, EVEN IF HP OR ANY SUPPLIER HAS BEEN ADVISED OF THE POSSIBILITY OF SUCH DAMAGES AND EVEN IF THE REMEDY FAILS OF ITS ESSENTIAL PURPOSE. Some states/jurisdictions do not allow the exclusion or limitation of incidental or consequential damages, so the above limitation or exclusion may not apply to you.

11. U.S. GOVERNMENT CUSTOMERS. Consistent with FAR 12.211 and 12.212, Commercial Computer Software, Computer Software Documentation, and Technical Data for Commercial Items are licensed to the U.S. Government under HP's standard commercial license.

12. COMPLIANCE WITH EXPORT LAWS. You shall comply with all laws and regulations of the United States and other countries/regions ("Export Laws") to assure that the Software Product is not (1) exported, directly or indirectly, in violation of Export Laws, or (2) used for any purpose prohibited by Export Laws, including, without limitation, nuclear, chemical, or biological weapons proliferation.

13. CAPACITY AND AUTHORITY TO CONTRACT. You represent that you are of the legal age of majority in your state of residence and, if applicable, you are duly authorized by your employer to enter into this contract.

14. APPLICABLE LAW. This EULA is governed by the laws of the State of California, U.S.A.

15. ENTIRE AGREEMENT. This EULA (including any addendum or amendment to this EULA which is included with the HP Product) is the entire agreement between you and HP relating to the Software Product and it supersedes all prior or contemporaneous oral or written communications, proposals and representations with respect to the Software Product or any other subject matter covered by this EULA. To the extent the terms of any HP policies or programs for support services conflict with the terms of this EULA, the terms of this EULA shall control.

Rev. 10/03

Support Information

Don't Forget to Register!

You can register your computer through the Help and Support Center. Click the **Windows Vista start button™**, **Help and Support**, and then click **Contact Support**.

Registration is quick and easy, and it offers:

- E-mail updates containing notifications about product enhancements, the most recent support alerts, and driver updates specific to the product(s) you own.
- The HP Newsgram, our monthly online magazine packed full of product news, support tips, project ideas, and much more. Visit us at:
<http://subscription.support.hp.com>

Where to Get Help

Follow these steps when you need help

- 1 Check the setup poster and product documentation for help with setting up and using your computer.
- 2 Use the Help and Support Center for help with hardware and software questions. Click the **Windows Vista start button**, and then click **Help and Support**. The Help and Support Center provides useful troubleshooting information and includes the following:
 - Link to register your computer.
 - System information, including your computer product number, model number, and serial number.
 - E-mail support.
 - HP Real Time Chat with qualified support specialists.
 - Support phone numbers.
 - Link to the User Guides for your computer.
- 3 If you think you have a hardware issue, before calling the Customer Care Center, run the hardware diagnostic tools that are preinstalled on your computer. Click the **Windows Vista start button**, **All Programs**, **PC Help & Tools**, and then click **Hardware Diagnostic Tools**.

- 4 HP Technical Support Web site. Go to:
<http://www.hp.com/support> for product information, driver updates, troubleshooting, and much more.
- 5 If you have not solved the problem, call HP Customer Care, toll-free, by phone, 24 hours a day, seven days a week in English, Spanish (U.S. only), and French (Canada only) at:
1-866-408-5408
When you call, please have your product model number, serial number, and date of purchase available. Telephone support is free during your limited warranty period.

Where Are My User Guides?

The User Guides are on your computer. Click the **Windows Vista start button**, **All Programs**, and then click **User Guides**. Documentation is also available at <http://www.hp.com/support> where you can search for the support page for your model.

Software and Connectivity Support

America Online

U.S.: 1-888-346-3704
Canada: 1-888-265-4357
<http://www.aol.com>

AT&T/SBC

1-800-400-1447
<http://www.att.net>

Comcast

1-800-266-2278 (1-800-COMCAST)
<http://www.comcast.com>

Corel

<http://www.corel.com>

CyberLink

<http://www.cyberlink.com>

EarthLink

Dial-up customer service and technical support
1-800-890-6356

Broadband customer service and technical support
1-888-829-8466
<http://www.earthlink.net>

HP Photosmart Essential

<http://www.hp.com/go/pse>

Intuit – Quicken Basic

1-900-555-4688
<http://www.intuit.com>

MSN

1-800-386-5550
<http://support.msn.com>

NetZero

1-800-638-9376 (1-800-NETZERO)
<http://netzero.net>

Symantec – Norton Internet Security

<http://www.symantec.com/techsupp>

HP Total Care

HP Total Care provides fast, friendly, and effective expert advice for all your HP products. If you have a question or if a problem arises, we offer extensive service and support options available 24/7 to better handle your needs. Go to your computer's Help and Support Center for fast resolutions. For more information about service and support options, both in- and out-of-warranty, visit:

<http://www.hp.com/go/totalcare>

Or

<http://www.hp.ca/totalcare> (Canada)

When Should I Contact HP Total Care Support and Services?

- The Help and Support Center or other support tools on your computer do not identify or help solve your problem.
- You either do not have Internet access or cannot connect to the Internet to use the HP Technical Support Web site or to chat with qualified online support specialists.
- There is obvious damage or a mechanical breakdown with your product, and it does not work.

HP-trained technicians are available 24/7 in English, Spanish (U.S. only), and French (Canada only) via telephone to provide expert assistance.

1-866-408-5408

NOTE: Support options, availability, and hours vary by product, country/region, and language and are subject to change.

HP Total Care Out-of-Warranty Support Options

Even after your warranty has ended, HP can still provide you with service and support options.

- Visa and MasterCard holders in the United States or callers from Canada, call:

1-866-408-5408

- 1-time technical support, \$40* USD (Can \$39.99*) per call.
- 1-year unlimited technical support, \$75* USD (Can \$69.99*).

*Prices are subject to change without notice and may vary based on your product.

Fees are charged to your Visa or MasterCard.

Protect Your Investment

Protect your investment by purchasing an HP Total Care Extended Service Plan. Allow HP Total Care to provide you with total peace of mind, while you get the most out of your investment. Service coverage begins on product purchase date, and you must purchase the service plan within the first two years after purchasing the computer. The hardware service offering is determined based on the outcome of system self-test programs that you run during your initial call to an HP support representative.

For more information visit:

<http://www.hp.com/go/totalcare> (U.S. only)

or call:

1-866-234-1377

Or

<http://www.hp.ca/totalcare> (Canada only)

or call:

1-877-231-4351

Recycle – HP Planet Partners

HP is sensitive to the environment and has a program, Planet Partners, to make it simple for us to reclaim your old product for recycling. HP will help you recycle your old equipment even if it is not an HP product; we take back all makes and models. Visit our Web site to find out how easy it is to recycle: <http://www.hp.com/recycle>

Repairing Software Problems

Your computer uses the operating system and installed software programs during normal operation. If your computer works improperly or stops because of the software, you may be able to repair it.

Some software repairs are as simple as restarting your computer and others require performing a System Recovery from files on your hard disk drive.

NOTE: You must perform the computer repair methods in the order described in this document.

Software Repair Overview

This section lists the available methods of fixing your computer if you are experiencing software problems. The sections that follow provide detailed instructions for each method. You must perform the procedures in the order listed in this overview:

- 1 Restarting Your Computer
- 2 Turning Off Your Computer
- 3 Updating Drivers
- 4 Microsoft System Restore
- 5 Software Program and Hardware Driver Reinstallation
- 6 System Recovery

NOTE: If you are replacing a hard disk drive, you only need to perform the system recovery.

Restarting Your Computer

Restarting is the simplest repair method for your computer. When you restart, the computer reloads the operating system and software into its memory.

To restart your computer:

- 1 Close all open programs and windows.
- 2 Click the **Windows Vista start button**.
- 3 Click the **Arrow** button next to the **Lock** button, and then click **Restart**.

Turning Off Your Computer

When you turn off your computer and then turn it on again, you force the computer to reload the operating system into its memory, which clears some tracking information. This may eliminate some problems that can remain after you perform a restart.

To turn off your computer:

- 1 Close all open programs and windows.
- 2 Click the **Windows Vista start button**.
- 3 Click the **Arrow** button next to the **Lock** button, and then click **Shut Down**.
- 4 Start your computer by pressing the On button.

Updating Drivers

A driver is a software program that enables your computer to communicate with an attached device, such as a printer, a hard disk drive, a mouse, or a keyboard.

Complete the following procedure to update a driver, or to revert to an earlier version of the driver if the new one does not solve your problem:

- 1 Click the **Windows Vista start button**, right-click **Computer**, and then select **Properties**.
- 2 Under Tasks, click **Device Manager**.
- 3 Click the plus sign (+) to expand the type of device for which you want to update or rollback, (for example, DVD/CD-ROM drives).
- 4 Double-click the specific item (for example, HP DVD Writer 640b).
- 5 Click the **Driver** tab.
- 6 To update a driver, click **Update Driver**, and follow the onscreen instructions.

Or

To revert to an earlier version of a driver, click **Rollback Driver**, and follow the onscreen instructions.

Microsoft System Restore

Microsoft Windows Vista includes a feature that enables you to restore your computer configuration to that of a previous time when a current software problem did not exist. The feature does this by creating a restore point where it records the computer settings at that time and date.

When a new program is installed, the operating system automatically creates a restore point before it adds the new software. You can also set restore points manually.

If you experience a problem that you think may be due to software on your computer, use System Restore to return the computer to a previous restore point.

NOTE: Always use this System Restore procedure before you use the System Recovery program.

To start a System Restore:

- 1 Close all open programs.
- 2 Click the **Windows Vista start button**, **All Programs**, and then click **Accessories**.
- 3 Choose **System Tools**, **System Restore**, and then click **Next**.
- 4 Follow the onscreen instructions.

To manually add restore points:

- 1 Close all open programs.
- 2 Click the **Windows Vista start button**, and then click **Control Panel**.
- 3 Click **System and Maintenance**, and then click **System**.
- 4 Click **System protection**.
- 5 Under Automatic restore points, select the disk for which you want to create a restore point.
- 6 Click **Create**.
- 7 Follow the onscreen instructions.

For more information about software restore points:

- 1 Click the **Windows Vista start button**, and then click **Help and Support**.
- 2 Type *system restore* into the Search box, and then click **Search**.

Software Program and Hardware Driver Reinstallation

If an individual factory-installed software program or hardware driver is damaged, you can reinstall it by using the Recovery Manager program (select models only).

NOTE: Do not use the Recovery Manager program to reinstall software programs that came on CDs or DVDs included in the computer box. Reinstall these programs directly from the CDs or DVDs.

Before you uninstall a program, be sure you have a way to reinstall it. Check that it is still available from where you initially installed it (for example, discs or the Internet). Or check that the program is in the list of programs you can reinstall from the Recovery Manager.

To check the list of installable programs in the Recovery Manager:

- 1 Click the **Windows Vista start button**, **All Programs**, **PC Help & Tools**, and then click **Recovery Manager**.
- 2 Click **Advanced Options**, **Reinstall software programs that came with your computer**, and then click **Next**.
- 3 Click **Next** at the Welcome screen.

A list of programs opens. Check whether your program is there.

To uninstall a program:

- 1 Close all software programs and folders.
- 2 Uninstall the damaged program:
- 3 Click the **Windows Vista start button**, **Control Panel**.

- 4 Under Programs, click **Uninstall a program**.
- 5 Select the program you want to remove, and then click **Uninstall**.
- 6 Click **Yes** if you want to continue with the uninstall process.

To reinstall a program using the Recovery Manager:

- 1 Click the **Windows Vista start button**, **All Programs**, **PC Help & Tools**, and then click **Recovery Manager**.
- 2 Click **Advanced Options**, **Reinstall software programs that came with your computer**, and then click **Next**.
- 3 Click **Next** at the Welcome screen.
- 4 Choose the program you want to install, click **Next**, and follow the onscreen instructions.
- 5 When you have finished reinstalling, restart the computer.

NOTE: Do not skip this last step. You must restart the computer when you are finished recovering software programs or hardware drivers.

System Recovery

After you have tried the previously mentioned methods of repairing your computer, you can run a system recovery as a last resort to reinstall the factory-shipped operating system, software programs, and hardware drivers.

System Recovery — System recovery completely erases and reformats the hard disk drive, deleting all data files you have created. System recovery reinstalls the operating system, programs, and drivers. However, you must reinstall any software that was not installed on the computer at the factory. This includes software that came on CDs included in the computer accessory box, and software programs you installed after purchase.

You must choose from the following methods for performing a System Recovery:

Recovery Image — Run the system recovery from a recovery image stored on your hard disk drive. The recovery image is a file that contains a copy of the original factory-shipped software. To perform a system recovery from the recovery image on your hard disk drive, see "Starting system recovery from the hard disk drive" on page 15.

NOTE: The recovery image uses a portion of the hard disk drive that cannot be used for data storage.

Recovery Discs — Run the system recovery from a set of recovery discs (CDs or DVDs) that you create from files stored on your hard disk drive. To create recovery discs, see the next section.

Creating Recovery Discs

Complete the procedure described in this section to create a set of recovery discs from the recovery image stored on your hard disk drive. This image contains the operating system and software program files that were originally installed on your computer at the factory.

You can create only one set of recovery discs for your computer. Furthermore, the recovery discs you create can be used only with your computer.

After creating the recovery discs, you can delete the recovery image if you want to make extra space available on your hard disk drive.

NOTE: Do not delete the recovery image until you have made recovery discs.

Choosing Recovery Discs

There are several advantages to using DVDs instead of CDs when creating recovery discs:

DVDs have greater capacity than CDs, so there are fewer discs to record and store.

DVD recovery discs take less time to create than CD recovery discs.

To create recovery discs, your computer must have a CD or DVD Writer drive, or other drive that can write to CDs or DVDs.

You must use high-quality discs. Because making a set of recovery discs is so important, there is a very high verification standard for this process. You may see error messages such as *Recording failure when writing disc* or *Error detected during disc verification*.

Your discs may be rejected if they are not defect-free. You will be prompted to insert a new blank disc to try again. It is normal that some of your discs may be rejected.

The number of discs in the recovery disc set depends on your computer model. The program that creates the discs tells you the specific number of blank discs needed to make the set. The following table gives an idea of how many discs you will need.

Disk Drive	Disc Type	Number of Required Blank Discs
DVD	DVD-R, DVD+R	1–3 discs
DVD	DVD+R Dual-Layer	1–2 discs
CD	CD-R	7–16 discs
No CD or DVD drive		Contact HP Support

The process takes some time to verify that the information written on the disc is correct. You can quit the process at any time. The next time you run the program, it resumes where it left off.

To create recovery discs:

- 1 Close all open programs.
- 2 Click the **Windows Vista start button, All Programs, PC Help & Tools**, and then click **Recovery Disc Creation**.
- 3 Follow the onscreen instructions. Label each disc as you make it (for example, Recovery 1, Recovery 2).
- 4 Store the Recovery discs in a safe place.

System Recovery Options

You should attempt system recovery in the following order:

- 1 Through the hard disk drive, from the Windows Vista Start menu.
- 2 Through the hard disk drive, by pressing the F11 key on the keyboard during system startup.
- 3 Through recovery discs that you create.
- 4 Through recovery discs purchased from HP Support. To purchase recovery discs, go to <http://www.hp.com/support> and visit the Software & Driver downloads page for your computer model.

Starting system recovery from the hard disk drive

Choose one of the following procedures to reinstall the software from the recovery image on your hard disk drive:

- Starting system recovery from the Windows Vista Start menu
- System recovery from system startup

System recovery from the Windows Vista Start menu

If the computer is working, and Windows Vista is responding, use these steps to perform a system recovery.

NOTE: System Recovery deletes any data or programs that you created or installed after purchase. Therefore, ensure you have backed up to a removable disc any data that you want to keep.

- 1 Turn off the computer.
- 2 Disconnect all peripheral devices from the computer, except the monitor, keyboard, and mouse.
- 3 Turn on the computer.
- 4 Click the **Windows Vista start button, All Programs, PC Help & Tools**, and then click **Recovery Manager**.
- 5 In the Recovery Manager Welcome window, click the **Advanced options** button.
- 6 Click **Recover your computer to its original factory condition**, and then click **Next**.

- 7 Click **Next** at the next screen that prompts you to do so.
- 8 Your computer restarts.

NOTE: If your system does not detect a recovery partition, it will prompt you to insert a recovery disc.

- 9 In the Recovery Manager Welcome window, click the **Advanced options** button.
- 10 Click **Recover your computer to its original factory condition**, and then click **Next**.
- 11 If you are prompted to back up files, and you have already done so, click **No**, and then click **Next**.
- 12 System recovery begins. After system recovery is complete, the computer restarts.
- 13 Complete the registration process, and wait until you see the desktop.
- 14 Turn off the computer, reconnect all peripheral devices, and turn the computer back on.
- 15 Perform the procedure "Performing the post-recovery procedure" on page 17.

System recovery at system startup

If Windows Vista is not responding, but the computer is working, use these steps to perform a system recovery:

NOTE: System Recovery deletes any data or programs that you created or installed after purchase. Therefore, ensure you have backed up to a removable disc any data that you want to keep.

- 1 Turn off the computer. If necessary, press and hold the On button until the computer turns off.
- 2 Disconnect all peripheral devices from the computer, except the monitor, keyboard, and mouse.
- 3 Press the On button to turn on the computer.
- 4 As soon as you see the initial company logo screen appear, repeatedly press the F11 key on your keyboard until the Recovery Manager window opens.
- 5 Click **Advanced options**.
- 6 Click **Recover your computer to its original factory condition**, and then click **Next**.
- 7 If you are prompted to back up files, and you have already done so, click **No**, and then click **Next**.
- 8 System recovery begins. After system recovery is complete, the computer restarts.
- 9 Complete the registration process, and wait until you see the desktop.
- 10 Turn off the computer, reconnect all peripheral devices, and turn the computer back on.
- 11 Perform the procedure "Performing the post-recovery procedure" on page 17.

Starting system recovery from recovery discs

This section contains the procedure for performing a system recovery from the recovery discs you created as described in "Creating Recovery Discs" on page 15.

NOTE: System Recovery deletes any data or programs that you created or installed after purchase. Therefore, ensure you have backed up to a removable disc any data that you want to keep.

To perform a system recovery program using recovery discs:

- 1 If the computer is working, create a backup CD or DVD containing all the data files you want to save. When you are done, remove the backup disc from the disc slot.



CAUTION: All data on the hard disk drive will be deleted. You will lose data if it is not backed up.

- 2 Insert recovery disc #1 into the disc slot.
- 3 If the computer works, click the **Windows Vista start button**, click the **Arrow** button next to the **Lock** button, and then click **Shut Down**.
Or
If the computer is not responding, press and hold the On button for approximately 5 seconds, or until the computer turns off.
- 4 Disconnect all peripheral devices from the computer, except the monitor, keyboard, and mouse.
- 5 Press the On button to turn on the computer.
- 6 A window may open, prompting you to choose between running system recovery from the discs or from your hard drive.
- 7 Choose to run from the recovery discs, and then click **Next**.
- 8 In the Recovery Manager Welcome window, click the **Advanced options** button.
- 9 Click **Recover your computer to its original factory condition**, and then click **Next**.
- 10 If you are prompted to back up files, and you have already done so, click **No**, and then click **Next**.
- 11 If you are prompted to insert the next recovery disc, do so.
- 12 When the Recovery Manager is finished, remove the last recovery disc.
- 13 Click **Finish** to restart the computer.

Performing the post-recovery procedure

- 1** At the Welcome to Microsoft Windows screen, follow the onscreen setup instructions, and then click **Start** in the last screen to display the Windows desktop.
- 2** Configure your Internet connection.
- 3** Use Windows Update to get critical updates from Microsoft:
 - Click the **Windows Vista start button**, and then click **Control Panel**.
 - Under Security, click the **Check for Updates** button.
 - Click **Install Updates**.
 - Restart your computer. (Some updates will not finish installing until you restart.)
- 4** Use HP Update to get critical updates from HP:
 - Click the **Windows Vista start button**, **All Programs**, the **HP** folder, and then click **HP Update**.
 - Follow the onscreen instruction to download driver and software updates.
- 5** Turn off your computer, reconnect all peripheral devices that were originally connected to it, and then turn the computer back on.
- 6** Reinstall software that originally came in the box with your computer, and also any additional software you purchased.
 - The system recovery software might have already installed some of the software that came in the box.
 - If you installed updates to any software programs, reinstall those as well. You can typically download these updates from the software manufacturer's Web site.
- 7** If you performed a backup before the system recovery, copy the backup data files from the backup media to your hard disk drive.
- 8** Ensure your system is running up-to-date security software.



i n v e n t

DECLARATION OF CONFORMITY

according to ISO/IEC 17050-1 and EN 17050-1

Supplier's Name: Hewlett-Packard Company
Supplier's Address: Hewlett-Packard Company
10955 Tantau Ave
Cupertino, CA 95014

declares, that the product(s)

Product: Personal computer
Model Number(s): 900
a000, a1000, a5000, a6000
CPT-001 P, CPT-001 R, CPT-002 P, CPT-002 R, CPT-003 P, CPT-003 R
d1000, d4000, dx2000, d5000
g2000, g3000
m000, m1000, m5000, m7000, m8000, m9000
s0000, s3000, s7000
SR1000, SR2000, SR5000, SA4000, SV2000, SV7000, SG2000, SG3000
t000, t3000
u6000
v2000, v7000
w1000, w5000
x5000, z500, z6000, IQ500, IQ700, IQ800 series

Product Options: Modem card: RD01-D850, CX-9Z-NR0134
Bluetooth: BM-GP-BR-51
TV Tuner card: 71xxx, 74xxx, 78xxx, 26xxx, 25xxx, JayHawk, Fennec, Twolf
Keyboard: 51xx, KB-06xx, KB-09xx, KM713K, SK29xx, I101-P01, PR11-01, 9131URF, 5189URF
Mouse: KM713K, M389, M889, MOBJKC, MOBJKO, MOBLUL, M-SBQ133, M-SBP133,
M-SBF96, M60PB, N17RBP, N17ROPKYE, 9131URF, 5189URF, MORFB1UO

conforms to the following Product Specifications:

Safety: IEC 60950-1:2001 / EN60950-1: 2001
EN 60825-1: 1994 + A1: 2002 + A2: 2001, Class 1 (Laser/LED)

EMC: CISPR 22: 1997 / EN 55022: 1998 +A1:2000 +A2:2003, Class B/ EN 55022:2006, Class B
CISPR 24: 1997 / EN 55024:+1998 +A1:2001 +A2:2003
EN 55020:1995/ EN 55020:2002 +A1:2002 + A2:2005
EN 55013:2001 +A1:2003
EN 61000-3-2: 2006, Class D
EN 61000-3-3: 1995 + A1: 2001+ A2:2005
FCC Title 47 CFR, Part 15 Class B / ICES-003
AS/NZS CISPR 22: 2004/ AS/NZS CISPR 22: 2006

Telecom: TBR 21: 1998
EN 300328: V.1.6.1

Supplementary Information:

The product herewith complies with the requirements of the Low Voltage Directive 2006/95/EC, the EMC Directive 2004/108/EEC and the R&TTE Directive 99/5/EC and carries the "CE Marking" accordingly.

This device complies with Part 15 of FCC rules. Operation is subject to the following two conditions: (1) this device may not cause harmful interference, and (2) this device must accept any interference received, including interference that may cause undesired operation.

Cupertino, CA USA February 7, 2008

For regulatory compliance information only, contact:

Australia Contact: Product Regulations Manager, Hewlett-Packard Australia Pty Ltd., 31-41 Joseph Street, Blackburn, Victoria 3130

European Contact: Hewlett-Packard GmbH, HQ-TRE, Herrenberger Straße 140, 71034 Böblingen, Germany

North America Contact: Hardware Quality Eng. Manager, Hewlett-Packard, CPC, 10955 Tantau Ave., Cupertino, CA 95014

Operating Specifications

Electrical ratings:	Refer to your computer's ratings label located on the outside of the computer to determine exact electrical rating.
Operating temperature:	5° to 35° C
Storage temperature:	-30° to 65° C
Operating humidity:	15 to 80% @ 26° C
Operating altitude:	0-2000 m
Storage altitude:	0-4572 m

Regulatory and Safety Information



WARNING: Text set off in this manner indicates that failure to follow directions could result in damage to equipment, loss of information, bodily harm, or loss of life.



WARNING: Energized and moving parts inside. Disconnect power to the equipment before removing the enclosure.

Replace and secure the enclosure before re-energizing the equipment.



WARNING: The computer is heavy; be sure to use ergonomically correct lifting procedures when moving the computer.



WARNING: Please read the "Additional Safety Information" located later in this document before installing and connecting your computer to the electrical power system.

Batteries are delivered with this product. When empty, do not throw them away but collect as small chemical waste.

Bij dit product zijn batterijen geleverd. Wanneer deze leeg zijn, moet u ze niet weggooien maar inleveren als Klein Chemisch Afval (KCA).



Mercury statement:

Materials disposal

This HP product contains the following materials that might require special handling at end-of-life:

- Mercury in the fluorescent lamp in the display LCD.

Disposal of mercury can be regulated because of environmental considerations. For disposal or recycling information, please contact your local authorities or the Electronic Industries Alliance (EIA) (<http://www.eiae.org>).

Perchlorate statement:

Perchlorate material — special handling may apply. See <http://www.dtsc.ca.gov/hazardouswaste/perchlorate/>

This product's real-time clock battery or coin cell battery may contain perchlorate and may require special handling when recycled or disposed of in California.

Audio volume statement

Listening to music at high volume levels and for extended durations may damage one's hearing. In order to reduce the risk of damage to hearing, one should lower the volume to a safe, comfortable level, and reduce the amount of time listening at high levels.

- For your own safety, before using headsets or earphones, always reset the volume. Some headphones are louder than other headphones, even if the volume control setting is the same.
- Changing the default audio or equalizer settings might lead to higher volume and should only be done with caution.
- If one HP product number includes a computer along with a headset or earphone, this combination is in compliance with EN 50332-1.
- In general, audio line-out I/F is not intended to be used with a headset or earphone.

FCC Regulatory and Safety Information (USA Only)

Federal Communications Commission (FCC) Radio Frequency Interference Statement



WARNING: This equipment has been tested and found to comply with the limits for a Class B digital device, pursuant to Part 15 of the FCC Rules. These limits are designed to provide reasonable protection against harmful interference in a residential installation. This equipment generates, uses, and can radiate radio frequency energy and, if not installed and used in accordance with the instructions, may cause harmful interference to radio communications. However, there is no guarantee that interference will not occur in a particular installation. If this equipment does cause harmful interference to radio or television reception, which can be determined by turning the equipment off and on, the user is encouraged to correct the interference by one or more of the following measures:

- **Reorient or relocate the receiving antenna.**
- **Increase the separation between the equipment and the receiver.**
- **Connect the equipment into an outlet that is on a circuit different from the receiver.**
- **Consult the dealer or an experienced radio/TV technician for help.**

The system RFI and Radiated Immunity tests were conducted with supported peripheral devices and shielded cables, such as those you receive with your system. Changes or modifications not expressly approved by the manufacturer could void the user's authority to operate the equipment. To comply with the limits for an FCC Class B computing device, always use shielded signal cables and the power cord supplied with this unit.

Consumer Information and FCC Requirements *Telephone Connection*

- This equipment complies with Part 68 of the Federal Communications Commission rules. These rules permit this device to be directly connected to the telephone network. Standardized jacks are used for these connections. This equipment should not be used on party lines or coin lines.
- If this device is malfunctioning, it may also cause harm to the telephone network; this device should be disconnected until the source of the problem can be determined and until it has been repaired. If this is not done, the telephone company may temporarily disconnect your service.
- The telephone company may make changes in its technical operations and procedures. If such changes affect the compatibility or use of this device, the telephone company is required to give adequate notice of the changes.

- If the telephone company requests information on what equipment is connected to their lines, inform them of:
 - a The telephone number this unit is connected to
 - b The ringer equivalence number
 - c The USOC jack required: RJ-11C
 - d The FCC Registration Number

Items (b) and (c) are indicated on the label. The ringer equivalence number (REN) is used to determine how many devices can be connected to your telephone line. In most areas, the sum of the RENs on any one line should not exceed five (5.0). If too many devices are attached, they may not ring properly.

- In the event of equipment malfunction, the manufacturer or an authorized repair center should perform all repairs. It is the responsibility of users requiring service to report the problem to the manufacturer, or an authorized agent. Refer to "Where to Get Help" in this document for contact information.

Statement of Fax Branding

The Consumer Protection Act of 1991 makes it unlawful for any person to use a computer or other electronic device to send any message via telephone fax machine, unless it clearly contains: a margin at the top or bottom of each transmitted page or on the first page of the transmission, the date and time it is sent, identification of the business or other entity, or individual sending the message, the telephone number of the sending machine or such business, entity, or individual.

Digital Television Transition Notice

This device may contain a digital television tuner. If so, it should receive digital over the air TV programming, with a suitable antenna, after the end of full-power analog TV broadcasting in the United States on February 17, 2009. Some older television receivers, if they rely on a TV antenna, will need a TV Converter to receive over the air digital programming, but should continue to work as before for other purposes (e.g., for watching low-power TV stations still broadcasting in analog, watching pre-recorded movies, or playing video games). When a Converter is used with an older television receiver, a signal splitter might be necessary to continue to receive low-power analog broadcasts via an antenna. For more information, please see www.DTV.gov. For information on the TV Converter program, and on government coupons that may be used toward the purchase of one, see www.dtv2009.gov, or call the NTIA at 1-888-DTV-2009.

Important Information About ENERGY STAR

HP computers marked with the ENERGY STAR® Logo are compliant with the applicable U.S. Environmental Protection Agency (EPA) ENERGY STAR specifications for computers. The EPA ENERGY STAR Logo does not imply endorsement by the EPA. As an ENERGY STAR Partner, Hewlett-Packard Company has determined the products marked with the ENERGY STAR Logo are ENERGY STAR qualified as per the applicable ENERGY STAR guidelines for energy efficiency. The following logo will appear on all ENERGY STAR qualified computers:



The ENERGY STAR Computers Program was created by the EPA to promote energy efficiency and reduce air pollution through more energy-efficient equipment in homes, offices, and factories. One way products achieve this is by reducing power consumption when not being used through the Microsoft Windows® Power Management feature.

The Power Management feature allows the computer to enter into a low-power or “sleep” mode after a period of user inactivity. When used with an external ENERGY STAR compliant monitor, this feature will also support similar power management features of the monitor. To take advantage of this energy savings:

- The Power Management feature has been preset to power down the computer after 20 minutes of user inactivity.
- The Power Management feature has been preset to power down the monitor after 15 minutes of user inactivity.

Both the computer and monitor can be woken from “sleep” mode through user interaction with any of the computer’s input devices (ex: mouse, keyboard, etc). When configured with Wake On LAN (WOL) enabled, the computer can also be awoken by a network signal.

More information on the energy and financial savings potential of the Power Management Feature can be found at the EPA’s ENERGY STAR Power Management Web site:

www.energystar.gov/powermanagement

More information on the ENERGY STAR program and its environmental benefits are available by visiting the EPA’s ENERGY STAR Web site address: **www.energystar.gov**



CAUTION: Using the Energy Save Monitor feature with non-ENERGY STAR compliant monitors may cause video distortion when the Energy Save timeout occurs.

Canada Department of Communications (DOC) Notice

Telephone Connection

The Canada Department of Communications label identifies certified equipment. This certification means that the equipment meets certain telecommunications network protective, operational, and safety requirements. The department does not guarantee the equipment will operate to the user’s satisfaction.

Before installing this equipment, the user should ensure it is permissible to connect it to the facilities of the local communications company. The equipment must be installed using an acceptable method of connection. In some cases, the company’s inside wiring associated with a single line individual service may be extended by means of a certified connector assembly (telephone extension cord). The customer should be aware that compliance with the above conditions may not prevent degradation of service in some situations.

Repairs to certified equipment should be made by an authorized Canadian maintenance facility designated by the supplier. Any repairs or alterations made by the user to this equipment, or equipment malfunctions, may give the telecommunications company cause to request that the user disconnect the equipment.

Users should ensure, for their own protection, that the electrical ground connections of the power utility, telephone lines, and internal metallic water pipe systems, if present, are connected together. This precaution may be particularly important in rural areas.



WARNING: Users should not attempt to make such connections themselves, but should contact the appropriate electrical inspection authority or electrician, as appropriate.



WARNING: The Load Number .9 assigned to each terminal device denotes the percentage of the total load to be connected to a telephone loop; this is used by the device to prevent overloading. The termination on a loop may consist of any combination of devices, subject only to the requirement that the sum of the Load Numbers does not exceed 100.



WARNING: When using this device, basic safety precautions should always be followed to reduce the risk of fire, electric shock, and injury to persons, including the following:

- Do not use this product near water, for example, near a bathtub, wash bowl, kitchen sink, or laundry tub, in a wet basement, or near a swimming pool.
- Avoid using this product during an electrical storm. There may be a remote risk of electric shock from lightning.
- Do not use this product to report a gas leak in the vicinity of the leak.
- Always disconnect the modem cable before opening the equipment enclosure or touching an uninsulated modem cable, jack, or internal components.
- If this product was not provided with a telephone line cord, use only No. 26 AWG or larger telecommunication line cord in order to reduce the risk of fire.
- Do not plug a modem or telephone cable into the Network Interface Card (NIC) receptacle.

SAVE THESE INSTRUCTIONS

DOC Statement (Canada Only)

This Class B digital apparatus meets all requirements of the Canadian Interference-Causing Equipment Regulations.

Additional Safety Information

This product has not been evaluated for connection to an "IT" power system (an AC distribution system with no direct connection to earth, according to IEC 60950).

This equipment meets the applicable Industry Canada Terminal Equipment Technical Specifications. This is confirmed by the registration number. The abbreviation, IC, before the registration number signifies that registration was performed based on a Declaration of Conformity indicating that Industry Canada technical specifications were met. It does not imply that Industry Canada approved the equipment.

AC Power Safety Warning



WARNING: Install the computer near an AC outlet. The AC power cord is your computer's main AC disconnecting device and must be easily accessible at all times. For your safety, the power cord provided with your computer has a grounded plug. Always use the power cord with a properly grounded wall outlet, to avoid the risk of electrical shock.



WARNING: Your computer is provided with a voltage select switch for use in a 115 or 230 V_~ power system. The voltage select switch has been pre-set to the correct voltage setting for use in the particular country/region where it was initially sold. Changing the voltage select switch to the incorrect position can damage your computer and void any implied warranty.



WARNING: To reduce the possibility of an electric shock from the telephone network, plug your computer into the AC outlet before connecting it to the telephone line. Also, disconnect the telephone line before unplugging your computer from the AC power outlet.



WARNING: Always disconnect the modem cord from the telephone system before installing or removing your computer cover.



WARNING: Do not operate the computer with the cover removed.



WARNING: For your safety, always unplug the computer from its power source and from any telecommunications systems (such as telephone lines), networks, or modems before performing any service procedures. Failure to do so may result in personal injury or equipment damage. Hazardous voltage levels are inside the power supply and modem of this product.

Lithium Battery Caution



WARNING: The computer uses a lithium battery, type CR2032. There is danger of an explosion if the battery is incorrectly replaced. Replace only with the same, or equivalent, type recommended by the manufacturer. Dispose of used batteries according to the manufacturer's instructions.

Laser Safety Statement Class 1 LED Product

The CD and DVD drives contain a laser system and are classified as a "Class 1 Laser Product" under a U.S. Department of Health and Human Services (DHHS) Radiation Performance standard according to the Radiation Control for Health and Safety Act of 1968.

Should the unit ever require maintenance, contact an authorized service location.



WARNING: Use of controls, adjustments, or performance procedures other than those specified in the *Upgrading and Servicing Guide* may result in hazardous radiation exposure. To prevent direct exposure to laser beam, do not try to open the enclosure of the CD or DVD drives.

Laser Product Label

The following label or equivalent is located on the surface of laser products:



This label indicates that the product is classified as a CLASS 1 LASER PRODUCT. This label appears on a laser device installed in your product.

Note to CATV System Installer

This reminder is provided to call the CATV systems installer’s attention to section 820-93 of the National Electric Code, which provides guidelines for proper grounding and in particular, specify that the Coaxial cable shield shall be connected to grounding system of the building, as close to the point of cable entry as practical.

TV Antenna Connectors Protection

External Television Antenna Grounding

If an outside antenna or cable system is connected to the product, be sure the antenna or cable system is electrically grounded so as to provide some protection against voltage surges and built-up static charges. Article 810 of the National Electrical Code, ANSI/NFPA 70, provides information with regard to proper electrical grounding of the mast and supporting structure, grounding of the lead-in wire to an antenna-discharge unit, size of grounding conductors, location of antenna-discharge unit, connection to grounding electrodes, and requirements for the grounding electrode.

Lightning Protection

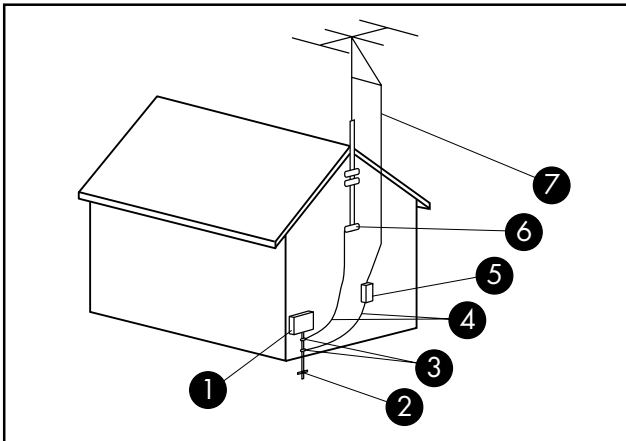
For added protection of any product during a lightning storm, or when it is left unattended and unused for long periods of time, unplug the product from the wall outlet and disconnect the antenna or cable system. This will prevent damage to the product from lightning and power line surges.

Power Lines

An outside antenna system should not be located in the vicinity of overhead power lines or other electric light or power circuits, or where it can fall into such power lines or circuits.



WARNING: When installing an outside antenna system, extreme care should be taken to keep from touching such power lines or circuits as contact with them could be fatal.



Antenna Grounding

Antenna Grounding

Reference	Grounding Component
①	Electric Service Equipment
②	Power Service Grounding Electrode System (NEC Art 250, Part H)
③	Ground Clamps
④	Grounding Conductors (NEC Section 810-21)
⑤	Antenna Discharge Unit (NEC Section 810-20)
⑥	Ground Clamp
⑦	Antenna Lead in Wire

Avant de contacter le Centre d'aide à la clientèle de HP, il est important d'avoir les informations suivantes à portée de main.

Nous vous invitons à prendre note des informations suivantes concernant votre ordinateur en vue d'y faire référence ultérieurement.

Les quatre premiers éléments de la liste (numéro de modèle, numéro de produit, numéro de série et numéro de version logicielle) peuvent être affichés en appuyant simultanément sur les touches Ctrl, Alt et S du clavier.

Numéro de modèle : _____

Numéro de produit (système) : _____

Numéro de série : _____

Numéro de version logicielle : _____

Système d'exploitation : _____

Date d'achat : _____

Table des matières

Garantie limitée sur le matériel.....	26
CONTRAT DE LICENCE UTILISATEUR FINAL	31
Informations sur l'assistance technique	34
Réparation de problèmes logiciels	36
Fiche technique	43
Informations sur la réglementation et la sécurité	43

Garantie limitée sur le matériel

Produit HP	Durée
Matériel	Garantie limitée d'un an
	Assistance technique d'un an

Généralités

Cette garantie limitée sur le matériel vous est fournie par Hewlett-Packard, fabricant, et vous donne en tant que client des droits de garantie limitée explicites. Reportez-vous au site Web de HP pour une description détaillée de vos droits sous couvert de cette garantie. Vous pouvez également posséder des droits supplémentaires suivant la législation locale vous étant applicable ou en présence d'un accord écrit avec HP.

HP NE FAIT AUCUNE AUTRE GARANTIE OU CONDITION EXPRESSE, QU'ELLE SOIT ÉCRITE OU ORALE, ET HP DÉSAVOUE FORMELLEMENT TOUTE GARANTIE ET CONDITION NON STIPULÉE DANS LA PRÉSENTE GARANTIE LIMITÉE. DANS LA MESURE PERMISE PAR LA LÉGISLATION LOCALE DANS LES JURIDICTIONS SITUÉES HORS DES ÉTATS-UNIS, HP DÉCLINE TOUTE AUTRE GARANTIE OU CONDITION IMPLICITE, Y COMPRIS TOUTE GARANTIE IMPLICITE DE CARACTÈRE ADÉQUAT À LA COMMERCIALISATION OU DE CONVENANCE À UN USAGE PARTICULIER. POUR TOUTES LES TRANSACTIONS EFFECTUÉES AUX ÉTATS-UNIS, TOUTE GARANTIE OU CONDITION IMPLICITE DE CARACTÈRE ADÉQUAT À LA COMMERCIALISATION OU DE CONVENANCE À UN USAGE PARTICULIER EST LIMITÉE À LA DURÉE DE LA GARANTIE EXPRESSÉMENT STIPULÉE PLUS HAUT. CERTAINS ÉTATS, PAYS OU RÉGIONS NE PERMETTENT PAS LA LIMITATION DE LA DURÉE D'UNE GARANTIE IMPLICITE OU N'AUTORISENT PAS L'EXCLUSION OU LA LIMITATION DES DOMMAGES SUBSÉQUENTS OU ACCESSOIRES POUR DES BIENS DE CONSOMMATION. DANS CES ÉTATS, PAYS OU RÉGIONS, IL SE PEUT QUE CERTAINES EXCLUSIONS OU LIMITATIONS DE LA PRÉSENTE GARANTIE LIMITÉE NE S'APPLIQUENT PAS À VOTRE CAS.

HORMIS DANS LES CAS OÙ LA LOI L'AUTORISE, LES MODALITÉS DE CETTE GARANTIE NE CONSTITUENT PAS UNE EXCLUSION, UNE RESTRICTION NI UNE MODIFICATION, MAIS S'AJOUTENT AUX DROITS RÉGLEMENTAIRES OBLIGATOIRES APPLICABLES À LA VENTE DE CE PRODUIT.

La présente garantie limitée est applicable dans tous les pays ou régions et peut être mise en vigueur dans tout pays ou région où la société HP ou ses prestataires de services agréés proposent un service de garantie pour le même numéro de modèle de produit, soumis aux conditions de la présente garantie limitée.

Selon les termes du programme mondial de garantie limitée HP, les produits achetés dans un pays ou région peuvent être transférés vers un autre pays ou région dans lequel HP ou

l'un de ses prestataires de services agréés disposent d'un service après-vente pour le même numéro de modèle de produit, et ce, sans en annuler la garantie. Les termes de la garantie, la disponibilité du service et les délais de traitement peuvent varier d'un pays ou d'une région à l'autre. Le délai de traitement pour un service de garantie standard peut également être modifié du fait de la disponibilité locale des pièces. Si c'est le cas, votre prestataire de services agréé HP peut vous procurer plus de détails.

HP n'est en aucun cas responsable des éventuels droits de douane ou taxes occasionnés lors du transfert des produits. Le transfert des produits peut être soumis à des contrôles à l'exportation à la demande du gouvernement des États-Unis ou d'autres gouvernements.

Cette garantie limitée ne s'applique qu'aux produits matériels de marque HP ou Compaq vendus ou loués par Hewlett-Packard Company, ses filiales, des sociétés affiliées, ses revendeurs agréés ou ses distributeurs nationaux/régionaux (collectivement désignés dans cette garantie limitée sous le nom « HP ») avec cette garantie limitée. Le terme « Produit matériel HP » ne concerne que les composants matériels et les micrologiciels (« firmware ») requis. Le terme « Produit matériel HP » N'INCLUT PAS les applications logicielles, produits ou périphériques de marque autre que HP. Les produits non fabriqués par HP, et les accessoires du Produit matériel HP qui ne portent pas la marque HP — comme les sous-systèmes externes mémoire, les écrans, les imprimantes et autres périphériques — sont fournis « TELS QUELS » et sans garantie HP. Les fabricants et fournisseurs autres que HP peuvent cependant vous proposer leurs propres garanties directement.

HP garantit que les Produits matériels HP que vous avez achetés ou loués auprès de HP ne présenteront aucun défaut de matériel ou de main-d'œuvre durant la période de validité de la garantie limitée, dans la mesure où ils sont utilisés normalement. Le produit est garanti (garantie limitée) à compter de la date d'achat ou de location, ou à compter de la date d'installation du produit par HP. Votre reçu daté de vente ou de livraison, indiquant la date d'achat ou de location du produit, constitue votre preuve de date d'achat ou de location. Vous aurez peut-être à fournir une preuve d'achat ou de location avant de recevoir un service sous garantie. Vous avez droit au service sous garantie prévu dans les modalités et conditions de ce document si une réparation à votre Produit matériel HP est nécessaire durant la période de validité de la garantie limitée.

Sauf indication contraire et dans la mesure autorisée par la législation locale, les Produits matériels HP neufs peuvent être fabriqués à l'aide de matériel neuf ou de matériel précédemment utilisé équivalent à du matériel neuf en termes de performances et de fiabilité. HP réparera ou remplacera les Produits matériels avec (a) des pièces ou des produits neufs, ou ayant déjà servi mais dont la

performance et la fiabilité sont équivalents aux pièces/produits neufs ou (b) avec des produits équivalents aux produits d'origine lorsque ces derniers ne sont plus fabriqués. Les pièces de rechange sont garanties contre tout défaut de matériau ou de main-d'œuvre pendant quatre-vingt-dix (90) jours ou jusqu'à la fin de la période de validité de la garantie limitée du Produit matériel HP qu'elles remplacent ou dans lequel elles sont utilisées, selon la plus longue de ces deux périodes.

Durant la période de validité de la garantie limitée, HP pourra réparer ou remplacer à sa discrétion tout composant ou matériel présentant des vices de matériel et de fabrication. Les composants et les produits matériels enlevés dans le cadre de cette garantie limitée deviennent propriété de HP. Dans l'éventualité peu probable où votre Produit matériel HP présenterait des erreurs ou défauts récurrents, la société HP pourra à son entière discrétion décider (a) de vous fournir un modèle de remplacement de son choix identique ou équivalent en termes de performances à votre Produit matériel HP, ou (b) de vous rembourser intégralement le prix d'achat ou de location (déduction faite des intérêts) en lieu et place d'un échange. Ces clauses constituent votre recours exclusif en cas de défectuosité du produit.

Exclusions

La société HP ne garantit pas le fonctionnement sans interruption ou sans erreur de ce produit. La société HP n'est pas responsable des dommages résultant du fait que vous n'avez pas suivi les instructions destinées au Produit matériel HP.

La présente garantie limitée ne s'applique pas aux consommables ; elle devient nulle lorsque le numéro de série du produit a été enlevé, ou lorsque ce produit a été endommagé ou rendu inopérant (a) par un accident, une utilisation inappropriée ou abusive, une contamination, un entretien ou un étalonnage inadéquats, ou par toute autre cause étrangère ; (b) à la suite d'un fonctionnement hors des paramètres d'utilisation définis dans la documentation livrée avec le produit ; (c) à cause de logiciels, d'interfaces, de pièces ou de fournitures non fournis par HP ; (d) à cause d'un mauvais entretien ou d'un lieu d'installation mal préparé ; (e) à la suite d'une contamination par virus ; (f) à la suite d'une perte ou de dommages survenus en transit ; ou (g) à cause d'une modification ou d'une intervention effectuées par une tierce partie, c.-à-d. qui n'est pas (i) HP, (ii) un centre de services agréé HP, ou (iii) une installation par vous-même de pièces HP remplaçables ou de pièces homologuées par HP lorsqu'elles sont disponibles pour votre produit dans la région/le pays du service.

VOUS DEVEZ RÉALISER PÉRIODIQUEMENT DES COPIES DE SÉCURITÉ DES DONNÉES ENREGISTRÉES SUR VOTRE DISQUE DUR OU D'AUTRES SUPPORTS DE STOCKAGE, POUR VOUS PROTÉGER CONTRE LES RISQUES DE PANNE, D'ALTÉRATION OU DE PERTE DE DONNÉES. AVANT DE RETOURNER UN APPAREIL POUR LE FAIRE RÉPARER, N'OUBLIEZ PAS DE RÉALISER UNE COPIE DE SÉCURITÉ DE VOS

DONNÉES ET D'Y ENLEVER TOUTES VOS INFORMATIONS CONFIDENTIELLES, PRIVÉES ET PERSONNELLES. HP N'EST PAS RESPONSABLE DES DOMMAGES ET PERTES DE DONNÉES AFFECTANT UN PROGRAMME, DES DONNÉES OU UN SUPPORT DE STOCKAGE AMOVIBLE. LA SOCIÉTÉ HP N'EST PAS RESPONSABLE DE LA RESTAURATION OU DE LA RÉINSTALLATION DES PROGRAMMES ET DONNÉES AUTRES QUE LES LOGICIELS INSTALLÉS PAR ELLE LORS DE LA FABRICATION DU PRODUIT. IL SE PEUT QUE LES DONNÉES DES UNITÉS RENVOYÉES POUR RÉPARATION SOIENT EFFACÉES DU DISQUE DUR ET QUE LES PROGRAMMES SOIENT RESTAURÉS À LEUR ÉTAT INITIAL.

Recours exclusif

DANS LA MESURE PERMISE PAR LA LÉGISLATION LOCALE, CES MODALITÉS ET CONDITIONS CONSTITUENT L'ACCORD COMPLET ET EXCLUSIF DE GARANTIE ENTRE VOUS ET LA SOCIÉTÉ HP CONCERNANT LE PRODUIT MATÉRIEL HP QUE VOUS AVEZ ACHETÉ OU LOUÉ. CES MODALITÉS ET CONDITIONS REMPLACENT TOUS LES ACCORDS ET REPRÉSENTATIONS ANTERIEURES, Y COMPRIS LES REPRÉSENTATIONS FAITES DANS LA DOCUMENTATION PUBLICITAIRE HP ET LES CONSEILS AYANT PU ÊTRE DONNÉS PAR HP OU UN AGENT OU EMPLOYÉ DE HP, EN RAPPORT AVEC VOTRE ACHAT OU VOTRE LOCATION D'UN PRODUIT MATÉRIEL HP. Aucune modification aux conditions de cette garantie limitée n'est valide à moins d'être faite par écrit et de porter la signature d'un représentant autorisé de la société HP.

Limitation de responsabilité

DANS L'ÉVENTUALITÉ OÙ LE PRODUIT MATÉRIEL HP NE FONCTIONNERAIT PAS COMME GARANTI PRÉCÉDEMMENT, LA RESPONSABILITÉ MAXIMALE DE LA SOCIÉTÉ HP DANS LE CADRE DE CETTE GARANTIE LIMITÉE EST EXPRESSÉMENT LIMITÉE AU MOINDRE DU PRIX D'ACHAT PAYÉ POUR LE PRODUIT OU DU COÛT DE RÉPARATION OU REMPLACEMENT DES COMPOSANTS MATÉRIELS DONT LE FONCTIONNEMENT EST DÉFECTUEUX DANS DES CONDITIONS D'UTILISATION NORMALE.

SAUF DANS LES CAS INDIQUÉS CI-DESSUS, LA SOCIÉTÉ HP NE PEUT ÊTRE EN AUCUN CAS TENUE RESPONSABLE DE QUELQUE DOMMAGE QUE CE SOIT CAUSÉ PAR LE PRODUIT OU LA NON-PERFORMANCE DU PRODUIT, CE QUI COMPREND LES PERTES DE PROFITS OU D'ÉCONOMIES, AINSI QUE LES DOMMAGES SPÉCIAUX, INDIRECTS ET CONSÉCUTIFS. LA SOCIÉTÉ HP N'EST PAS RESPONSABLE DE TOUTE RÉCLAMATION FAITE PAR UNE TIERCE PARTIE OU PAR VOUS POUR UNE TIERCE PARTIE.

CETTE LIMITATION DE RESPONSABILITÉ S'APPLIQUE PEU IMPORTE QU'UN DÉDOMMAGEMENT SOIT RECHERCHÉ OU QU'UNE RÉCLAMATION SOIT FAITE DANS LE CADRE

DE CETTE GARANTIE LIMITÉE, DANS LE CADRE D'UNE ACCUSATION DE DÉLIT (Y COMPRIS SOUS FORME DE NÉGLIGENCE ET DE RESPONSABILITÉ STRICTE RELATIVE AU PRODUIT), DANS LE CADRE D'UNE RÉCLAMATION RELATIVE À UN CONTRAT OU DANS LE CADRE DE TOUTE AUTRE RÉCLAMATION. CETTE LIMITATION DE RESPONSABILITÉ NE PEUT PAS ÊTRE ANNULÉE OU AMENDÉE PAR QUI QUE CE SOIT. CETTE LIMITATION DE RESPONSABILITÉ DEMEURE EN VIGUEUR MÊME SI VOUS AVISEZ HP OU UN REPRÉSENTANT AGRÉÉ DE HP DE LA POSSIBILITÉ DE TELS DOMMAGES. CEPENDANT, CETTE LIMITATION DE RESPONSABILITÉ NE S'APPLIQUE PAS AUX RÉCLAMATIONS CONCERNANT DES BLESSURES.

CETTE LIMITATION DE RESPONSABILITÉ VOUS ACCORDE DES DROITS JURIDIQUES PRÉCIS, MAIS IL SE PEUT QUE VOUS AYEZ ÉGALEMENT D'AUTRES DROITS SELON VOTRE LIEU DE RÉSIDENCE. POUR EN SAVOIR PLUS SUR VOS DROITS, IL VOUS EST CONSEILLÉ DE CONSULTER LES LOIS EN VIGUEUR DANS VOTRE PAYS OU RÉGION.

Période de garantie limitée

La période de garantie limitée d'un Produit matériel HP est une période fixe et déterminée débutant à la date d'achat. La date indiquée sur votre reçu de vente correspond à la date d'achat, sauf indication contraire par écrit de HP ou de votre revendeur.

Types de services de garantie

Afin de permettre à HP de vous fournir la meilleure assistance et les meilleures prestations possibles pendant la Période de garantie limitée, vous serez peut-être invité à vérifier des configurations, installer les micrologiciels (firmware) ou mises à jour logicielles les plus récents, exécuter des tests de diagnostic HP ou utiliser les solutions d'assistance à distance HP lorsque cela est possible.

HP vous recommande fortement d'utiliser ou d'accepter l'utilisation des technologies d'assistance disponibles fournies par HP. Si vous choisissez de ne pas utiliser les possibilités d'assistance à distance, vous pouvez encourir des frais supplémentaires suite aux exigences d'assistance technique accrues en résultant. Les types de services d'assistance sous garantie pouvant concerner le Produit matériel HP que vous avez acheté sont indiqués ci-dessous.

Service de réparation par l'utilisateur

Dans les pays ou régions où cette option est disponible, votre garantie limitée HP peut comprendre un service de réparation sous garantie par l'utilisateur. Le cas échéant, HP déterminera à son entière discrétion si la réparation par l'utilisateur est la méthode appropriée pour la réparation sous garantie. Si c'est le cas, HP vous expédiera directement des pièces de rechange afin de mener à bien la réparation sous garantie de votre Produit matériel HP. Cela représente un gain de temps de réparation considérable. Plus précisément, votre représentant HP du centre d'assistance établira un diagnostic de défaillance ; si ce diagnostic révèle que l'anomalie peut être corrigée en vous envoyant une pièce de rechange, celle-ci vous sera expédiée directement. Vous remplacerez alors la pièce défectueuse par la pièce reçue suivant les instructions fournies et les indications de la documentation. Si une assistance supplémentaire vous est nécessaire, appelez alors le Centre d'assistance à la clientèle HP. Un technicien vous aidera alors par téléphone. Dans les cas où la pièce de remplacement doit être retournée à HP, vous devez l'expédier dans un délai imparti, habituellement sous trente (30) jours. La pièce défectueuse doit être expédiée accompagnée de la documentation correspondante dans l'emballage fourni pour l'expédition. Si le produit défectueux n'est pas retourné à HP, le remplacement peut vous être facturé. Lors d'une réparation par l'utilisateur, HP prend en charge tous les frais d'expédition et de retour des pièces, et détermine le transporteur à utiliser. Si la réparation par l'utilisateur vous est applicable, veuillez vous reporter aux indications concernant votre Produit matériel HP particulier. Vous pouvez également obtenir plus de détails sur ce service de garantie sur le site Web de HP, à l'adresse suivante : <http://www.hp.com/support>

Service de garantie : Collecte du produit

Votre garantie limitée HP peut inclure un service de collecte du produit. Conformément aux termes de ce service, HP passera prendre à votre domicile ou bureau l'appareil en panne, le réparera, puis vous le retournera. HP prendra en charge tous les frais de réparation, de logistique et d'assurance occasionnés lors de cette procédure.

Service en atelier

Sous les termes du service de réparation en atelier, vous êtes responsable de la livraison de votre Produit matériel HP à un centre agréé pour une réparation sous garantie. Vous prenez en charge tous les frais, taxes ou droits d'expédition liés au transport du produit vers le centre de réparation, puis du centre de réparation jusqu'à vous pour le retour. Il vous incombe également d'assurer tout produit expédié vers ou retourné par un centre de réparation agréé, et vous prenez en charge le risque d'une perte au cours de l'expédition.

Service de garantie à domicile

Le service de Garantie limité HP peut comprendre une intervention sur site pour la réparation de matériel. Le service de réparation sur site de HP est disponible pendant les heures de bureau. Les heures ouvrables s'étendent généralement de 8h à 17h du lundi au vendredi, mais peuvent varier suivant les pratiques locales. Si vous êtes situé hors de la zone de service habituelle (généralement 50 km), les délais d'intervention peuvent être plus longs, et des frais supplémentaires peuvent être encourus. Pour localiser le centre de réparation agréé HP le plus proche, reportez-vous au site Web de HP : <http://www.hp.com/support>

HP détermine à son entière discrétion si une réparation sur site sous garantie s'impose. Dans de nombreux cas, le problème peut en effet être corrigé par l'utilisation d'une Pièce remplaçable par l'utilisateur que vous remplacerez vous-même, à l'aide d'instructions et d'une documentation fournis par HP. Il relève également de votre responsabilité de coopérer avec HP pour tenter de résoudre le problème par téléphone. Cela peut impliquer l'exécution de procédures de diagnostic habituelles, l'installation de mises à jour logicielles ou de correctifs, la suppression d'options d'autres fournisseurs et/ou d'autres options de substitut. Pour bénéficier d'une réparation sur site, (a) vous assurer qu'une personne sera présente lorsque HP exécutera la réparation sur site sous garantie ; (b) prévenir HP si les produits sont utilisés dans un environnement pouvant être dangereux pour la santé ou la sécurité des employés ou sous-traitants de HP ; (c) dans la mesure permise par des contraintes raisonnables de sécurité, fournir l'accès à HP à tous les équipements, informations et systèmes jugés nécessaires par HP pour la prestation d'assistance ; (d) vous assurer que toutes les étiquettes apposées par le fabricant (telles que les étiquettes comportant des numéros de série) sont présentes, accessibles et lisibles ; (e) veiller à ce que l'environnement soit conforme aux spécifications des produits et aux configurations prises en charge.

Si vous souhaitez qu'un représentant HP prenne en charge tous les remplacements de pièces, des contrats d'assistance étendus sont proposés pour un coût supplémentaire.

Services supplémentaires

HP propose diverses options d'assistance et de services supplémentaires pour votre produit, auxquelles vous pouvez

souscrire localement. Certains services d'assistance ou produits associés peuvent cependant ne pas être disponibles dans tous les pays ou régions. Pour plus de renseignements sur la disponibilité des services supplémentaires et sur leur coût, reportez-vous au site Web de HP à l'adresse suivante : <http://www.hp.com/support>

Garanties limitées sur les options et les logiciels

Les termes et conditions de la Garantie limitée applicables à la majorité des options de marque HP (« Options HP ») sont décrites dans la Garantie limitée applicable à l'Option HP et incluses dans l'emballage de produit de l'Option HP. Si votre Option HP est installée dans un Produit matériel HP, HP peut fournir un service de garantie d'une durée correspondant soit à la période précisée dans les documents de garantie fournis avec l'Option HP (« Période de garantie limitée de l'option HP »), soit à la durée pendant laquelle le Produit matériel HP dans lequel l'Option HP reste sous garantie, la plus longue de ces périodes étant prise en considération, dans la limite de trois (3) ans à compter de la date d'achat de l'Option HP. La Période de garantie limitée de l'option HP commence à partir de la date d'achat auprès de HP ou d'un revendeur HP agréé. La date d'achat de l'Option HP indiquée sur votre reçu d'achat ou de livraison correspond à la date de début de la garantie. Reportez-vous à la Garantie limitée de l'option HP pour plus de détails. Les options de marque non HP sont fournies « EN L'ÉTAT ». Cependant, les fabricants et fournisseurs extérieurs à la société HP peuvent vous offrir leur propre garantie directement.

LES PRODUITS LOGICIELS, Y COMPRIS TOUT PRODUIT LOGICIEL, GRATIQUES (« FREEMWARE ») TELS QUE DÉFINIS CI-DESSOUS ET LE SYSTÈME D'EXPLOITATION PRÉINSTALLÉS PAR HP, SONT FOURNIS « EN L'ÉTAT » ET AVEC TOUS LEURS VICÉS, SAUF DISPOSITION CONTRAIRE DES TERMES DU CONTRAT DE LICENCE UTILISATEUR FINAL DU LOGICIEL, DE LA LICENCE D'UTILISATION DU PROGRAMME OU DES LOIS LOCALES EN VIGUEUR. HP DÉCLINE EXPLICITEMENT TOUTE AUTRE GARANTIE OU CONDITION EXPRESSE, IMPLICITE OU STATUTAIRE, Y COMPRIS MAIS SANS S'Y LIMITER TOUTE GARANTIE DE TITRE ET DE NON CONTREFAÇON, AINSI QUE TOUTE GARANTIE, OBLIGATION OU CONDITION IMPLICITE DE CARACTÈRE ADÉQUAT À LA COMMERCIALISATION, D'APTITUDE À UN USAGE PARTICULIER OU D'ABSENCE DE VIRUS. Certains états ou juridictions n'autorisent pas l'exclusion des garanties implicites ou la limitation de la durée de ces dernières. Dans ce cas, les restrictions énumérées plus haut peuvent ne pas s'appliquer à votre cas dans leur intégralité. SOUS RÉSERVE DES LOIS APPLICABLES, HP OU SES FOURNISSEURS NE PEUVENT EN AUCUN CAS ÊTRE TENUS RESPONSABLES POUR QUELQUE DOMMAGE SPÉCIAL, INDIRECT, ACCESSOIRE OU CONSÉCUTIF QUE CE SOIT (Y

COMPRIS ET DE MANIÈRE NON EXHAUSTIVE AUX DOMMAGES LIÉS À LA PERTE DE BÉNÉFICES OU D'INFORMATIONS CONFIDENTIELLES OU NON, À L'INTERRUPTION D'EXPLOITATION, AUX BLESSURES DE PERSONNES OU AUX ATTEINTES À LA VIE PRIVÉE LIÉS EN QUELQUE FAÇON QUE CE SOIT À L'UTILISATION OU L'IMPOSSIBILITÉ D'UTILISER LE PRODUIT LOGICIEL), ET CE MÊME SI HP OU SES FOURNISSEURS ONT ÉTÉ AVERTIS DE LA POSSIBILITÉ DE TELS DOMMAGES ET QUE LA SOLUTION PRÉVUE ÉCHOUE DANS SON OBJECTIF ESSENTIEL. Certains états ou juridictions n'autorisent pas l'exclusion ou la restriction des dommages indirects, et il se peut que les restrictions ou exclusions ci-dessus ne s'appliquent pas à vous.

Les seules obligations de la société HP concernant les logiciels distribués par elle sous la marque HP sont énoncées dans le contrat de licence utilisateur final correspondant ou dans la licence d'utilisation du programme fournie avec ce logiciel. Si au cours des quatre-vingt-dix (90) jours suivant l'achat, le support de stockage amovible contenant le logiciel et fourni par HP s'avérait défectueux ou comporter un défaut de façon, votre unique recours sera de retourner le support amovible à HP pour obtenir un échange. Supports amovibles – bandes vierges : veuillez vous référer au site Web suivant :

<http://h20000.www2.hp.com/bizsupport/TechSupport/Document.jsp?objectID=lpg50101>

Il est de votre entière responsabilité de contacter les fabricants ou fournisseurs extérieurs à HP au sujet de leur garantie.

Assistance technique concernant les logiciels

L'assistance technique HP (pour ses logiciels, les logiciels de tierces parties pré-installés par HP et pour ceux de tierces parties achetés chez HP) est accessible de plusieurs façons – ressources électroniques, numéros de téléphone – pendant un an à compter de la date d'achat. Reportez-vous à la rubrique « Coordonnées de HP » pour obtenir l'adresse des ressources électroniques et les numéros de téléphone de l'assistance technique. Les exceptions sont précisées dans votre contrat de licence utilisateur final.

Caractéristiques de l'assistance technique pour vos logiciels :

- Informations et questions sur l'installation, la réinstallation et les mises à jour du logiciel.
- Installation et configuration du logiciel.
- Résolution de problèmes au niveau du matériel ou du logiciel.
- Étapes de base pour l'utilisation de logiciels d'une autre marque que HP ; fonction d'assistance avancée pour les logiciels HP.

L'assistance technique sur les logiciels NE COUVRE PAS les points suivants :

- Les logiciels d'une autre marque que HP qui ne sont pas livrés avec l'ordinateur.
- L'installation de logiciels HP sur des systèmes d'une autre marque que HP.
- L'optimisation et la personnalisation du système.
- La configuration d'un réseau non basé sur PC.
- L'utilisation de fonctions avancées sur les logiciels d'une autre marque que HP.

Coordonnées de HP

Si le produit cessait de fonctionner au cours de la Période de garantie limitée et que les indications de sa documentation ne permettaient pas de résoudre le problème, vous pouvez obtenir une assistance de la manière suivante :

Vous trouverez les coordonnées du Centre d'assistance HP le plus proche sur le site Web suivant :

<http://www.hp.com/support>

Contactez votre marchand agréé HP ou votre fournisseur de services agréé ; veillez à avoir sous la main les renseignements suivants avant d'appeler :

- Numéro de série du produit, nom et numéro du modèle.
- Messages d'erreur (s'il y a lieu).
- Extensions optionnelles.
- Système d'exploitation
- Logiciels ou matériel provenant de fournisseurs tiers.
- Questions détaillées.

Vérification des droits à la garantie et à l'assistance technique

Pour obtenir des renseignements concernant la garantie, les services après-vente, l'assistance technique et les informations sur les produits, veuillez consulter le site

<http://www.hp.com/support>

LICENCE D'UTILISATION

VEUILLEZ LIRE ATTENTIVEMENT AVANT D'UTILISER CE MATÉRIEL : Cette licence d'utilisation constitue une entente juridique entre (a) vous (soit un individu ou une entité unique) et (b) la compagnie Hewlett-Packard (« HP ») qui régit votre usage de tout produit logiciel, installé sur votre ordinateur HP ou mis à votre disposition pour usage avec votre produit HP (« produit HP »), qui n'est pas couvert par une licence d'utilisation distincte entre vous et HP ou ses fournisseurs. D'autres logiciels peuvent contenir une licence d'utilisation dans leur documentation en ligne. Le terme « produit logiciel » veut dire logiciel et peut inclure les supports, la documentation imprimée et la documentation électronique ou « en ligne » qui lui sont associés. Un amendement ou addenda à cette licence d'utilisation peut accompagner le produit HP.

LES DROITS CONCERNANT LE PRODUIT LOGICIEL SONT OFFERTS SEULEMENT À LA CONDITION QUE VOUS ACCEPTIEZ TOUTES LES MODALITÉS ET CONDITIONS DE LA PRÉSENTE LICENCE D'UTILISATION. EN INSTALLANT, COPIANT, TÉLÉCHARGEANT OU UTILISANT DE QUELQUE FAÇON QUE CE SOIT LE PRODUIT LOGICIEL, VOUS ACCEPTEZ D'ÊTRE LIÉ PAR LES MODALITÉS DE LADITE LICENCE D'UTILISATION. SI VOUS N'ACCEPTÉZ PAS LES MODALITÉS DE LA PRÉSENTE LICENCE, VOTRE SEUL RECOURS EST DE RETOURNER LE PRODUIT COMPLET NON-UTILISÉ (MATÉRIEL ET LOGICIEL) DANS LES 14 JOURS POUR OBTENIR UN REMBOURSEMENT, QUI EST SUJET À LA POLITIQUE DE REMBOURSEMENT DE L'ENDROIT OÙ VOUS AVEZ FAIT L'ACHAT.

1. OCTROI DE LICENCE. HP vous accorde les droits suivants à la condition que vous respectiez toutes les modalités et conditions de la présente licence d'utilisation :

a. Utilisation. Vous pouvez utiliser le produit logiciel sur un seul ordinateur (« votre ordinateur »). Si le produit logiciel vous est fourni via Internet et était à l'origine sous licence pour un usage sur plus d'un ordinateur, vous pouvez installer et utiliser le produit logiciel sur ces ordinateurs seulement. Vous ne pouvez pas séparer des composants du produit logiciel pour un usage sur plus d'un ordinateur. Vous n'avez pas le droit de distribuer le produit logiciel. Vous pouvez charger le produit logiciel dans la mémoire temporaire de votre ordinateur (RAM) pour des fins d'utilisation du produit logiciel.

b. Stockage. Vous pouvez copier le produit logiciel dans la mémoire locale ou un appareil de stockage du produit HP.

c. Copier. Vous pouvez faire des copies d'archive ou de sauvegarde du produit logiciel, à condition que la copie contienne tous les avis propriétaires originaux du produit logiciel et qu'elle soit utilisée seulement pour des fins de sauvegarde.

d. Réserve des droits. HP et ses fournisseurs se réservent tous les droits qui ne vous sont pas octroyés expressément dans cette licence d'utilisation.

e. Gratuitiel. Nonobstant les modalités de cette licence d'utilisation, la licence de toute partie du produit logiciel qui est un logiciel HP non-propritaire ou un logiciel fourni sous licence publique par des tiers (« gratuitiel »), vous est accordée selon les modalités de la licence d'utilisation du logiciel qui accompagne un tel gratuitiel, soit sous forme d'un accord discret, d'une licence sous plastique ou de modalités de licence électronique acceptées lors du téléchargement. Votre utilisation du gratuitiel sera complètement régie par les modalités d'une telle licence.

f. Solution de récupération. Toute solution de récupération logicielle qui est fournie avec ou pour votre produit HP, que ce soit sous forme de solution sur disque dur, de solution de récupération sur support externe (disquette, CD ou DVD, par exemple) ou de solution équivalente fournie sous toute autre forme, ne peut être utilisée que pour restaurer le disque dur du produit HP avec ou pour lequel la solution de récupération avait été achetée à l'origine. L'utilisation de tout logiciel du système d'exploitation Microsoft contenu dans une telle solution de récupération sera régie par la licence d'utilisation de Microsoft.

2. MISES À JOUR. Pour utiliser un produit logiciel identifié comme étant une mise à jour, vous devez d'abord posséder une licence pour le produit logiciel original identifié par HP comme étant éligible à la mise à jour. Après avoir fait la mise à jour, vous ne pouvez plus utiliser le produit logiciel original qui déterminait votre éligibilité à la mise à jour.

3. LOGICIELS SUPPLÉMENTAIRES. Cette licence d'utilisation s'applique aux mises à jour ou s'ajoute au produit logiciel original fourni par HP, à moins que HP ne fournisse d'autres modalités avec la mise à jour ou le supplément. En cas de conflit entre de telles conditions, les autres conditions auront priorité.

4. TRANSFERT.

a. Tiers. L'utilisateur initial du produit logiciel peut faire un seul transfert du produit logiciel vers un autre utilisateur final. Tout transfert doit inclure tous les composants, le support, la documentation imprimée, la présente licence d'utilisation et, s'il y a lieu, le certificat d'authenticité. Le transfert ne peut pas être un transfert indirect, tel qu'une consignation. Avant le transfert, l'utilisateur final qui reçoit le produit transféré doit accepter toutes les modalités de la licence d'utilisation. Lors du transfert du produit logiciel, votre licence est résiliée automatiquement.

b. Restrictions. Vous ne pouvez pas louer ou prêter le produit logiciel ou utiliser le produit logiciel pour le partage commercial ou pour vendre des services de bureau. Vous ne pouvez pas sous-licencier, céder ou transférer la licence ou le produit logiciel, sauf d'après les dispositions dans la présente licence d'utilisation.

5. DROITS DE PROPRIÉTÉ. Tous les droits de propriété intellectuelle reliés au produit logiciel et à la documentation de l'utilisateur sont propriété de HP ou de ses fournisseurs et sont protégés par la loi, y compris mais sans se limiter au droit d'auteur aux États-Unis, au secret commercial et aux lois sur les marques de commerce, ainsi que d'autres lois et dispositions de traités internationaux qui s'appliquent. Vous n'enlèverez pas d'identification du produit, d'avis de droit d'auteur ou de restriction de propriété du produit logiciel.

6. LIMITES D'INGÉNIERIE INVERSE. Vous ne pouvez pas faire de l'ingénierie inverse, décompiler ou désassembler le produit logiciel, sauf si, et pour autant que, (a) le droit de le faire soit autorisé par la loi qui s'applique, nonobstant cette limitation ou (b) s'il y a une disposition expresse à cet effet dans la présente licence d'utilisation.

7. DURÉE. La présente licence d'utilisation est en vigueur à moins qu'elle ne soit résiliée ou refusée. La présente licence d'utilisation se terminera aussi d'après les modalités établies ailleurs dans cette licence d'utilisation ou si vous n'observez pas une ou plusieurs des modalités de ladite licence d'utilisation.

8. ACCEPTATION DE L'UTILISATION DES DONNÉES. Vous acceptez que HP et ses filiales puissent recueillir et utiliser des informations techniques que vous fournirez dans le cadre des services de soutien reliés au produit logiciel. HP accepte de ne pas utiliser ces informations dans une forme qui vous identifie personnellement, sauf pour autant qu'il soit nécessaire de fournir de tels services.

9. EXONÉRATION DE GARANTIES. POUR AUTANT QUE LA LOI QUI S'APPLIQUE LE PERMETTE, HP ET SES FOURNISSEURS OFFRENT LE PRODUIT LOGICIEL TEL QUEL, ET AVEC TOUTES SES FAUTES, ET DÉCLINENT PAR LES PRÉSENTES TOUTE AUTRE GARANTIE ET CONDITION, EXPRESSE, TACITE OU LÉGALE, Y COMPRIS, MAIS SANS S'Y LIMITER, LES GARANTIES DE PROPRIÉTÉ ET D'ABSENCE DE CONTREFAÇON, LES GARANTIES TACITES DE RESPONSABILITÉ, DE QUALITÉ MARCHANDE OU D'ADAPTATION À UN USAGE PARTICULIER ET L'ABSENCE DE VIRUS, LE TOUT QUANT AU PRODUIT LOGICIEL. Certains états ou certaines juridictions ne permettent pas l'exclusion des garanties tacites ou des limites sur la durée des garanties tacites, le désaveu précité peut donc ne pas s'appliquer à vous dans son intégralité.

10. LIMITATION DE LA RESPONSABILITÉ. Nonobstant tout dommage que vous pouvez subir, la responsabilité entière de HP et de ses fournisseurs sous toute disposition de cette licence d'utilisation et votre seul recours pour tout ce qui est ci-inclus sera limité au montant le plus élevé entre ce que vous avez réellement payé séparément pour le produit logiciel et 5,00 \$ américains. POUR AUTANT QUE LA LOI QUI S'APPLIQUE LE PERMETTE, HP OU SES FOURNISSEURS NE SAURAIENT EN AUCUN CAS ÊTRE TENUS RESPONSABLES DE TOUT DOMMAGE DIRECT, INDIRECT, ACCESSOIRE, PARTICULIER, PUNITIF OU AUTRE DE QUELQUE SORTE QUE CE SOIT (Y COMPRIS, SANS LIMITATION, LES DOMMAGES ENTRAÎNÉS PAR LA PERTE DE BÉNÉFICES OU D'INFORMATIONS CONFIDENTIELLES OU AUTRES, PAR UNE INTERRUPTION DES AFFAIRES, PAR DES BLESSURES PERSONNELLES, PAR LA PERTE DE CONFIDENTIALITÉ QUI DÉCOULE DE, OU QUI EST RELIÉE DE QUELQUE FAÇON QUE CE SOIT À, L'UTILISATION OU À L'IMPOSSIBILITÉ D'UTILISER LE PRODUIT LOGICIEL, OU EN RELATION AVEC TOUTE AUTRE DISPOSITION DE CETTE LICENCE D'UTILISATION, MÊME SI HP OU UN FOURNISSEUR A ÉTÉ AVISÉ DE LA POSSIBILITÉ D'UN TEL DOMMAGE ET MÊME SI LE RECOURS NE CORRIGE PAS LA SITUATION QU'IL EST CENSÉ RÉPARER. Certains états ou certaines juridictions ne permettent pas l'exclusion ou la limitation des dommages directs ou indirects et la limitation ou l'exclusion précitée peut donc ne pas s'appliquer à vous.

11. CLIENTS DU GOUVERNEMENT AMÉRICAIN. D'après FAR 12.211 et 12.212, les licences de logiciels commerciaux, de documentation de logiciel et de données techniques pour les items commerciaux sont accordées au gouvernement américain sous la licence commerciale standard de HP.

12. RESPECT DES LOIS D'EXPORTATION. Vous vous conformerez avec toutes les lois et tous les règlements des États-Unis et des autres pays (« lois sur l'exportation ») pour vous assurer que le produit logiciel n'est pas (1) exporté, directement ou indirectement, en violation des lois sur l'exportation ou (2) utilisé pour toute fin interdite par les lois sur l'exportation, y compris, sans limitation, la prolifération d'armes nucléaires, chimiques ou biologiques.

13. CAPACITÉ ET AUTORITÉ DE CONTRACTER. Vous affirmez que vous êtes d'âge adulte dans votre état ou province de résidence et, s'il y a lieu, que vous êtes dûment autorisé par votre employeur pour signer ce contrat.

14. LOIS QUI S'APPLIQUENT. La présente licence d'utilisation est régie par les lois de l'état de Californie, É.-U.

15. ACCORD COMPLET. La présente licence d'utilisation (y compris tout addenda ou mise à jour de cette licence d'utilisation qui est inclus avec le produit HP) est l'accord complet entre vous et HP concernant le produit logiciel et il remplace toutes les communications, propositions et représentations orales ou écrites antérieures ou contemporaines, en ce qui concerne le produit logiciel ou toute autre matière soumise pour être couverte par cette licence d'utilisation. Pour autant que les modalités de toute politique HP ou de tout programme de service de soutien entrent en conflit avec les modalités de la présente licence d'utilisation, les modalités de ladite licence d'utilisation auront priorité.

Rev. 06/04

Informations sur l'assistance technique

N'oubliez pas d'enregistrer votre achat !

Vous pouvez enregistrer votre ordinateur en utilisant le **Centre d'aide et de support**. Cliquez sur le **bouton Démarrer de Windows Vista, Aide et support**, puis cliquez sur **Contactez l'assistance**.

L'enregistrement, simple et rapide, vous apporte en outre :

- Mises à jour par courriel concernant les avis d'amélioration de produit, les plus récentes alertes techniques et les mises à jour de pilotes s'appliquant à vos produits.
- Le Newsgram de HP, notre revue mensuelle en ligne ; elle regorge de nouvelles sur les produits, de conseils pour vous aider, d'idées d'activités, etc. Visitez notre site Web à l'adresse suivante :
<http://subscription.support.hp.com>

Obtenir de l'aide

Suivez les instructions ci-dessous lorsque vous avez besoin d'aide :

- 1 Si vous avez besoin d'aide pour installer et utiliser votre ordinateur, consultez l'affiche d'installation et la documentation accompagnant le produit.
- 2 Utilisez le **Centre d'aide et de support** pour répondre à vos questions concernant le matériel et les logiciels. Cliquez sur le **bouton Démarrer de Windows Vista**, puis sur **Aide et support**. Le Centre d'aide et de support vous apportera des informations utiles concernant le dépannage, vous pourrez y trouver :
 - un lien pour enregistrer votre ordinateur.
 - les informations concernant le système, y compris les numéros de produit, de modèle et de série de votre appareil.
 - support par e-mail.
 - conversation en temps réel avec des spécialistes de l'assistance technique HP qualifiés.
 - numéros de téléphone du support technique.
 - lien vers les manuels de l'utilisateur.
- 3 Si vous pensez que le problème que vous rencontrez est d'ordre matériel et avant de contacter le Centre d'aide à la clientèle, utilisez l'outil de diagnostic du matériel préinstallé sur votre ordinateur. Cliquez sur le **bouton Démarrer de Windows Vista, Tous les programmes, Outils et Aide**, puis sur **Outils de diagnostic du matériel**.
- 4 Site Web d'assistance technique HP. Allez à :
<http://www.hp.com/support>, vous y trouverez des informations sur nos produits, des mises à jour des

pilotes, des conseils de dépannage et plusieurs autres informations utiles.

- 5 Si le problème n'est toujours pas réglé, téléphonez sans frais au Centre d'aide à la clientèle HP, tous les jours 24 heures sur 24, où vous trouverez une assistance en anglais, en espagnol (É.-U. seulement) et en français (Canada seulement) :
1-866-408-5408

Lorsque vous appelez, veuillez avoir en main le numéro de modèle de votre produit, ainsi que son numéro de série et la date d'achat. L'assistance téléphonique est gratuite durant la période de validité de votre garantie limitée.

Où puis-je trouver les manuels de l'utilisateur ?

Les manuels de l'utilisateur se trouvent sur votre ordinateur. Cliquez sur le **bouton Démarrer de Windows Vista, Tous les programmes, puis manuels de l'utilisateur**. La documentation est aussi disponible à <http://www.hp.com/support>, où vous pourrez faire une recherche de la page d'assistance pertinente, selon votre modèle.

Support : logiciel et connectivité

America Online

É.-U. : 1-888-346-3704
Canada: 1-888-265-4357
<http://www.aol.com>

AT&T/SBC

1-800-400-1447
<http://www.att.net>

Comcast

1-800-266-2278 (1-800-COMCAST)
<http://www.comcast.com>

Corel

<http://www.corel.com>

CyberLink

<http://www.cyberlink.com>

EarthLink

Assistance clientèle pour les accès par ligne commutée
1-800-890-6356

Assistance clients et assistance technique, accès haut débit
1-888-829-8466
<http://www.earthlink.net>

HP Photosmart Essential

<http://www.hp.com/go/ps>

Quicken Basic — Intuit

1-900-555-4688
<http://www.intuit.com>

MSN

1-800-386-5550
<http://support.msn.com>

NetZero

1-800-638-9376 (1-800-NETZERO)
<http://netzero.net>

Symantec — Sécurité Internet Norton

<http://www.symantec.com/techsupp>

Assistance technique HP Total Care

Le service clientèle HP Total Care propose une assistance rapide, conviviale et efficace pour tous vos produits HP. Si vous avez une question ou si un problème survient, nous offrons un service complet et diverses possibilités d'assistance, 24 heures sur 24, pour répondre à vos besoins. Utilisez le Centre d'aide et de support de votre ordinateur pour obtenir rapidement des solutions aux problèmes rencontrés. Pour en savoir plus sur les options d'assistance et les services offerts, sous ou hors garantie, consultez le site :

<http://www.hp.com/go/totalcare>

— Ou —

<http://www.hp.ca/totalcare> (Canada)

À quel moment devrais-je faire appel au service clientèle HP Total Care ?

- Lorsque ni le Centre d'aide et de support, ni les autres outils d'assistance de votre ordinateur n'ont pu cerner le problème et vous aider à le régler.
- Vous n'avez pas accès à Internet ou vous ne pouvez pas vous connecter au site Web d'assistance technique HP pour discuter avec un spécialiste qualifié.
- Il y a des dommages évidents ou un bris mécanique sur votre produit le rendant inutilisable.

Des représentants HP qualifiés vous apporteront leur expertise tous les jours, 24 heures sur 24, en anglais, en espagnol (É.-U. seulement) et en français (Canada seulement). Vous pouvez les joindre au numéro suivant :

1-866-408-5408

REMARQUE : Les options d'assistance, la disponibilité, les horaires et les langues proposées varient suivant les produits, le pays ou la région, et sont sous réserve de modification.

Possibilités d'assistance HP Total Care pour les équipements hors garantie

Après l'expiration de votre garantie, HP vous offre encore diverses possibilités d'assistance et de service après-vente.

- Si vous avez une carte Visa ou MasterCard et appelez des É.-U. ou du Canada, composez :
1-866-408-5408
- 40 \$ USD* (39,99 \$ CAN*) pour chaque appel d'assistance technique.
- 75 \$ USD* (69,99 \$ CAN*) pour une assistance technique illimitée pendant un an.

*Les prix sont sous réserve de modification sans préavis et peuvent varier selon votre produit.

Ces frais seront facturés sur votre carte Visa ou MasterCard.

Protégez votre investissement

Protégez votre investissement en souscrivant à notre Prolongation de service HP Total Care. HP Total Care vous donne une tranquillité d'esprit totale, et vous permet de tirer le maximum de bénéfices de votre investissement ! La couverture entre en vigueur à la date d'achat du produit, et vous devez souscrire au plan de garantie pendant les deux premières années de votre achat). La couverture du matériel sera définie lors de votre tout premier appel à un représentant du service d'assistance HP, selon les résultats obtenus par les programmes d'auto-vérification que vous devrez exécuter.

Pour plus d'informations, veuillez visiter le site :

<http://www.hp.com/go/totalcare> (États-Unis uniquement)

Ou appelez le :

1-866-234-1377

— Ou —

<http://www.hp.ca/totalcare> (Canada uniquement)

Ou appelez le :

1-877-231-4351

Recyclage — Planet Partners de HP

La société HP est très soucieuse de la protection de l'environnement et dirige un programme, Planet Partners, visant à récupérer vos vieux produits pour les recycler. HP vous aidera à recycler votre ancien téléviseur, même s'il n'est pas de marque HP. Nous acceptons toutes les marques et tous les modèles. Visitez notre site Web et vous verrez comment il est facile de recycler :

<http://www.hp.com/recycle>

Réparation de problèmes logiciels

Lorsque l'ordinateur fonctionne normalement, il utilise le système d'exploitation et les programmes installés. Si votre ordinateur fonctionne anormalement ou s'il s'arrête à cause d'un logiciel, vous êtes peut-être en mesure de le réparer.

Pour réparer certains logiciels, il suffit parfois de redémarrer votre ordinateur, mais d'autres fois il est nécessaire d'exécuter une récupération système à partir de fichiers sur votre disque dur.

REMARQUE : Il est important de respecter l'ordre des méthodes de réparation de l'ordinateur décrit dans ce document.

Vue d'ensemble des réparations logicielles

Cette section répertorie les méthodes à votre disposition pour réparer l'ordinateur en cas de problèmes rencontrés au niveau des logiciels. Les sections suivantes fournissent des instructions détaillées pour chaque méthode.

Respectez l'ordre des procédures à exécuter ci-dessous :

- 1 Redémarrage du système
- 2 Arrêt de l'ordinateur
- 3 Mise à jour de pilotes
- 4 Restauration du système de Microsoft
- 5 Récupération des logiciels et des pilotes
- 6 Récupération du système

REMARQUE : Si vous remplacez votre disque dur, vous devez uniquement exécuter la récupération système.

Redémarrage du système

Le redémarrage est la méthode la plus simple pour réparer votre ordinateur. Lorsque vous redémarrez votre ordinateur, ce dernier réamorç le système d'exploitation et les logiciels dans sa mémoire.

Pour redémarrer votre ordinateur :

- 1 Fermez tous les programmes en cours et toutes les fenêtres ouvertes.
- 2 Cliquez sur le **bouton Démarrer de Windows Vista**.
- 3 Cliquez sur la **flèche** située à côté du bouton **Cadenas** puis sur **Redémarrer**.

Arrêt de l'ordinateur

Lorsque vous éteignez et rallumez votre ordinateur, vous le forcez à réamorç le système d'exploitation dans sa mémoire, ce qui efface certaines informations de suivi. Cela peut éliminer certains problèmes susceptibles de subsister après un simple redémarrage.

Pour éteindre votre ordinateur :

- 1 Fermez tous les programmes en cours et toutes les fenêtres ouvertes.
- 2 Cliquez sur le **bouton Démarrer de Windows Vista**.
- 3 Cliquez sur la **flèche** située à côté du bouton **Cadenas** puis sur **Arrêter**.
- 4 Allumez votre ordinateur en appuyant sur le bouton marche/arrêt.

Mise à jour de pilotes

Un *pilote* est un logiciel qui permet à un ordinateur de communiquer avec un périphérique connecté, par exemple une imprimante, un lecteur de disque dur, une souris ou un clavier.

Effectuez la procédure suivante pour mettre à jour un pilote ou revenir à une version antérieure du pilote si le plus récent ne résout pas votre problème :

- 1 Cliquez sur le **bouton Démarrer de Windows Vista**, cliquez avec le bouton droit de la souris sur **Poste de travail**, puis sélectionnez **Propriétés**.
- 2 Sous **Tâches**, cliquez sur **Gestionnaire de périphériques**.
- 3 Cliquez sur le signe plus (+) pour développer le type de périphérique que vous souhaitez mettre à jour ou restaurer (par exemple, Lecteurs de CD-ROM/DVD).
- 4 Double-cliquez sur l'élément concerné (par exemple, HP DVD Writer 640b).
- 5 Cliquez sur l'onglet **Pilote**.
- 6 Pour mettre un pilote à jour, cliquez sur **Mettre à jour le pilote** et suivez les instructions à l'écran.
Ou
Pour revenir à une version antérieure d'un pilote, cliquez sur **Restaurer le pilote** et suivez les instructions à l'écran.

Restauration du système de Microsoft

Microsoft Windows Vista inclut une fonction qui vous permet de retrouver une configuration de l'ordinateur préalablement enregistrée avant l'apparition du problème de logiciel actuel. Ceci est rendu possible par la création d'un « point de reprise » à partir duquel les paramètres de l'ordinateur sont enregistrés pour cette date et heure précises.

Lorsque vous installez un nouveau programme, le système d'exploitation crée automatiquement un point de reprise avant d'ajouter le nouveau logiciel. Vous pouvez aussi établir ces points manuellement.

Si vous rencontrez un problème que vous pensez lié à un logiciel installé sur votre ordinateur, utilisez la fonction Restauration du système pour ramener votre ordinateur à son état lors d'un point de reprise précédent.

REMARQUE : Utilisez toujours la procédure Restauration du système avant d'utiliser le programme Récupération système.

Pour lancer une restauration du système :

- 1 Fermez tous les programmes.
- 2 Cliquez sur le **bouton Démarrer de Windows Vista, Tous les programmes, Outils et Aide**, puis sur **Accessoires**.
- 3 Choisissez **Outils système**, puis cliquez sur **Restauration système**.
- 4 Suivez les instructions données à l'écran.

Pour ajouter des points de restauration manuellement :

- 1 Fermez tous les programmes.
- 2 Cliquez sur le **bouton Démarrer de Windows Vista**, puis sur **Panneau de configuration**.
- 3 Cliquez sur **Système et maintenance**, puis sur **Système**.
- 4 Cliquez sur **Protection du système**.
- 5 Sous **Points de restauration automatiques**, sélectionnez le disque pour lequel vous souhaitez créer un point de restauration.
- 6 Cliquez sur **Créer**.
- 7 Suivez les instructions données à l'écran.

Pour un complément d'information sur les points de restauration des logiciels :

- 1 Cliquez sur le **bouton Démarrer de Windows Vista**, puis sur **Aide et support**.
- 2 Tapez *restauration système* dans la zone de recherche, puis cliquez sur **Rechercher**.

Récupération des logiciels et des pilotes

Si une application ou un pilote installé en usine est endommagé, vous pouvez les réinstaller à l'aide du programme Gestionnaire de récupération (certains modèles uniquement)

REMARQUE : N'utilisez pas le Gestionnaire de récupération pour réinstaller les logiciels contenus sur les CD ou les DVD qui se trouvaient dans l'emballage de votre ordinateur. Réinstallez ces programmes directement à partir des CD ou des DVD.

Avant de désinstaller un programme, assurez-vous que vous disposez d'un moyen de le réinstaller ultérieurement. Vérifiez qu'il est encore disponible à l'endroit d'où vous l'aviez installé initialement (par exemple, un disque ou Internet). Vous pouvez aussi vérifier la liste des programmes que vous pouvez réinstaller à partir du Gestionnaire de récupération.

Pour consulter la liste des programmes installables à partir du Gestionnaire de récupération :

- 1 Cliquez sur le **bouton Démarrer de Windows Vista, Tous les programmes, Outils et Aide**, puis sur **Gestionnaire de récupération**.
- 2 Cliquez sur **Options avancées**, sur **Réinstaller les programmes livrés avec l'ordinateur**, puis sur **Suivant**.
- 3 Cliquez sur **Suivant** à l'écran de bienvenue.

Une liste de programmes s'ouvre. Vérifiez si votre programme est présent.

Pour désinstaller un programme :

- 1 Fermez tous les programmes et les dossiers.
- 2 Désinstallez le programme endommagé.
- 3 Cliquez sur le **bouton Démarrer de Windows Vista** et sélectionnez **Panneau de configuration**.
- 4 Sous **Programmes**, cliquez sur **Désinstaller un programme**.
- 5 Choisissez le programme à supprimer, puis cliquez sur **Désinstaller**.
- 6 Cliquez sur **Oui** si vous souhaitez poursuivre le processus de désinstallation.

Pour réinstaller un programme à l'aide du Gestionnaire de récupération :

- 1 Cliquez sur le **bouton Démarrer de Windows Vista, Tous les programmes, Outils et Aide**, puis sur **Gestionnaire de récupération**.
- 2 Cliquez sur **Options avancées**, sur **Réinstaller les programmes livrés avec l'ordinateur**, puis sur **Suivant**.
- 3 Cliquez sur **Suivant** à l'écran de bienvenue.
- 4 Choisissez le programme que vous souhaitez réinstaller, cliquez sur **Suivant** et suivez les instructions qui apparaissent à l'écran.
- 5 Après la récupération, redémarrez l'ordinateur.

REMARQUE : Cette dernière étape est impérative. Vous devez redémarrer l'ordinateur lorsque vous avez terminé de réinstaller des applications ou des pilotes.

Récupération du système

Après avoir essayé les autres méthodes de réparation de votre système, vous pouvez exécuter le programme Récupération système en dernier ressort pour réinstaller le système d'exploitation, les logiciels et les pilotes d'usine.

Récupération système — La récupération système efface tout le contenu du disque dur et le reformate, supprimant ainsi tous les fichiers de données que vous avez créés. L'option Récupération système réinstalle le système d'exploitation, les programmes et les pilotes. Cependant, vous devez réinstaller les logiciels qui n'étaient pas installés à l'origine sur l'ordinateur. Ceci inclut les logiciels contenus sur les CD de la boîte d'accessoires de l'ordinateur et ceux que vous avez installés depuis l'achat de l'ordinateur.

De plus, vous devez choisir parmi les options suivantes pour exécuter une récupération complète du système :

Image de récupération — Exécutez la récupération système à partir d'une image stockée sur votre disque dur. Cette image est un fichier qui contient une copie du logiciel d'origine. Pour exécuter une récupération système à partir de l'image stockée sur votre disque dur, reportez-vous à *Lancement de la récupération système à partir du disque dur* en page 39.

REMARQUE : L'image de récupération utilise une partie du disque dur qui n'est alors plus disponible pour l'enregistrement de données.

Disques de récupération — Exécutez la récupération à partir de disques de récupération (CD ou DVD) que vous créez à partir des fichiers stockés sur votre disque dur. Pour créer les disques de récupération, consultez la section suivante.

Création de disques de récupération

Effectuez la procédure décrite dans cette section pour créer une série de disques de récupération à partir de l'image stockée sur votre disque dur. Cette image comprend le système d'exploitation et les logiciels préinstallés à l'origine sur votre ordinateur.

Vous pouvez créer un seul jeu de disques de récupération pour votre ordinateur. Les disques de récupération que vous créez ne peuvent être utilisés que sur votre ordinateur.

Après avoir créé les disques de récupération, vous pouvez supprimer l'image de récupération si vous souhaitez libérer de l'espace sur votre disque dur.

REMARQUE : Ne supprimez pas cette image de récupération avant d'avoir créé les disques de récupération.

Quels disques utiliser pour la récupération ?

Utiliser des DVD au lieu de CD lorsque vous créez votre jeu de disques de récupération présente plusieurs avantages :

Les DVD ont une plus grande capacité de stockage que les CD, vous aurez donc moins de disques à enregistrer et conserver.

Les DVD de récupération prennent moins de temps à créer que des CD de récupération.

Pour créer des disques de récupération, votre ordinateur doit posséder un graveur de CD ou DVD, ou vous devez avoir un autre lecteur capable d'enregistrer sur CD ou DVD.

Vous devez employer des disques de haute qualité. Le processus de création de disques de récupération est très important ; c'est pourquoi il y a une norme de vérification très élevée. Il se peut qu'un message tel que *Echec lors de la tentative d'écriture sur le disque* ou *Erreur détectée durant la vérification du disque*.

Vos disques peuvent être rejetés s'ils ne sont pas 100 % sans erreur. Le programme vous demandera d'insérer un autre disque vierge pour réessayer. Cela est normal en cas de rejet de l'un de vos disques.

Le nombre de disques compris dans un jeu de disques de récupération dépend de votre modèle d'ordinateur. Le programme qui crée les disques vous indique le nombre spécifique de disques vierges nécessaires pour réaliser ce jeu de disques. Le tableau suivant donne une idée du nombre de disques dont vous aurez besoin.

Lecteur de disque	Type de disque	Nombre de disques vierges requis
DVD	DVD-R, DVD+R	1 à 3 disques
DVD	DVD+R double couche	1 à 2 disques
CD	CD-R	7 à 16 disques
Aucun lecteur de CD ou DVD		Contactez l'assistance technique de HP

Cette procédure demande du temps pour vérifier l'exactitude des informations sur le disque. Vous pouvez abandonner le processus à tout moment. La prochaine fois que vous démarrez le programme, il reprend à son stade d'arrêt.

Pour créer des disques de récupération :

- 1 Fermez tous les programmes.
- 2 Cliquez sur le **bouton Démarrer de Windows Vista, Tous les programmes, Outils et Aide**, puis sur **Création de disques de récupération**.
- 3 Suivez les instructions données à l'écran. Étiquetez chaque disque au fur et à mesure de leur création (par exemple, Récupération 1, Récupération 2).
- 4 Conservez les disques de récupération en lieu sûr.

Options de récupération système

La récupération système doit être exécutée dans l'ordre suivant :

- 1 Via votre disque dur, depuis le menu Démarrer de Windows Vista.
- 2 Via votre disque dur, en appuyant sur la touche F11 du clavier durant le démarrage.
- 3 Via les disques de récupération créés.
- 4 Via les disques de récupération achetés auprès de l'assistance HP. Pour acheter les disques de récupération, rendez-vous sur <http://www.hp.com/support> et consultez la page de téléchargement de logiciels et de pilotes correspondant au modèle de votre système.

Lancement de la récupération système à partir du disque dur

Suivez l'une des procédures ci-dessous pour réinstaller les logiciels à partir de l'image de récupération se trouvant sur votre disque dur :

- Récupération système via le menu Démarrer de Windows Vista
- Récupération système lors du démarrage de l'ordinateur

Récupération système via le menu Démarrer de Windows Vista

Si l'ordinateur fonctionne normalement et que Windows Vista répond, utilisez ces étapes pour exécuter une récupération système.

REMARQUE : L'option Récupération système efface toutes les données ou tous les programmes que vous avez créés ou installés depuis l'achat de l'ordinateur. Assurez-vous donc au préalable d'avoir effectué une sauvegarde sur un disque amovible de toutes les données que vous désirez conserver.

- 1 Éteignez l'ordinateur.
- 2 Déconnectez tous les périphériques de l'ordinateur, sauf le moniteur, le clavier et la souris.
- 3 Mettre l'ordinateur sous tension.
- 4 Cliquez sur le **bouton Démarrer de Windows Vista, Tous les programmes, Outils et Aide**, puis sur **Gestionnaire de récupération**.
- 5 Dans la fenêtre de bienvenue au Gestionnaire de récupération, cliquez sur le bouton **Options avancées**.
- 6 Cliquez sur **Réinstaller l'ordinateur avec ses paramètres de la sortie d'usine** puis sur **Suivant**.
- 7 Cliquez sur **Suivant** sur l'écran suivant qui vous y invite.
- 8 Votre ordinateur redémarrera.

REMARQUE : Si votre système ne détecte pas de partition de récupération, il vous invite à insérer un disque de récupération.

- 9 Dans la fenêtre de bienvenue au Gestionnaire de récupération, cliquez sur le bouton **Options avancées**.
- 10 Cliquez sur **Réinstaller l'ordinateur avec ses paramètres de la sortie d'usine** puis sur **Suivant**.
- 11 Lorsque vous êtes invité à sauvegarder vos fichiers et que cela est déjà fait, cliquez sur **Non** puis sur **Suivant**.

- 12 La récupération système commence. Une fois la récupération achevée, l'ordinateur redémarre.
- 13 Terminez la procédure d'enregistrement et attendez que le Bureau s'affiche.
- 14 Éteignez l'ordinateur, rebranchez tous les périphériques puis rallumez l'ordinateur.
- 15 Suivez les étapes décrites sous *Exécution de la procédure suivant la récupération* en page 41.

Récupération système lors du démarrage de l'ordinateur

Si l'ordinateur fonctionne normalement mais que Windows Vista ne répond pas, utilisez ces étapes pour exécuter une récupération système :

REMARQUE : L'option Récupération système efface toutes les données ou tous les programmes que vous avez créés ou installés depuis l'achat de l'ordinateur. Assurez-vous donc au préalable d'avoir effectué une sauvegarde sur un disque amovible de toutes les données que vous désirez conserver.

- 1 Éteignez l'ordinateur. Si nécessaire, appuyez et maintenez enfoncé le bouton de mise en marche jusqu'à ce que l'ordinateur s'arrête.
- 2 Déconnectez tous les périphériques de l'ordinateur, sauf le moniteur, le clavier et la souris.
- 3 Appuyez ensuite sur le bouton de mise sous tension pour allumer l'ordinateur.
- 4 Immédiatement à l'apparition du logo initial, appuyez sur la touche F11 du clavier plusieurs fois jusqu'à l'affichage de la fenêtre Gestionnaire de récupération.
- 5 Cliquez sur **Options avancées**.
- 6 Cliquez sur **Réinstaller l'ordinateur avec ses paramètres de la sortie d'usine** puis sur **Suivant**.
- 7 Lorsque vous êtes invité à sauvegarder vos fichiers et que cela est déjà fait, cliquez sur **Non** puis sur **Suivant**.
- 8 La récupération système commence. Une fois la récupération achevée, l'ordinateur redémarre.
- 9 Terminez la procédure d'enregistrement et attendez que le Bureau s'affiche.
- 10 Éteignez l'ordinateur, rebranchez tous les périphériques puis rallumez l'ordinateur.
- 11 Suivez les étapes décrites sous *Exécution de la procédure suivant la récupération* en page 41.

Démarrage du système avec des disques de récupération

Cette section contient la procédure d'exécution d'une réinstallation du système à partir des disques de réinstallation créés en suivant les instructions de la section *Création de disques de récupération* à la page 38.

REMARQUE : L'option Récupération système efface toutes les données ou tous les programmes que vous avez créés ou installés depuis l'achat de l'ordinateur. Assurez-vous donc au préalable d'avoir effectué une sauvegarde sur un disque amovible de toutes les données que vous désirez conserver.

Pour exécuter un programme de récupération système avec des disques de récupération :

- 1 Si l'ordinateur fonctionne, créez un CD ou DVD de sauvegarde contenant tous les fichiers de données que vous souhaitez conserver. Dès que vous en avez terminé, retirez le disque de son logement.



ATTENTION : Toutes les données sur le disque dur seront supprimées. Toutes les données non sauvegardées seront perdues.

- 2 Insérez le disque de récupération n°1 dans le logement approprié.
- 3 Si l'ordinateur répond, cliquez sur le bouton **Démarrer de Windows Vista**, cliquez sur la **flèche** située à côté du bouton **Cadenas** et cliquez sur **Arrêter**.
— Ou —
Si l'ordinateur ne répond pas, appuyez sur le bouton de mise sous tension et maintenez-le enfoncé pendant environ cinq secondes ou jusqu'à ce que l'ordinateur s'éteigne.
- 4 Déconnectez tous les périphériques de l'ordinateur, sauf le moniteur, le clavier et la souris.
- 5 Appuyez ensuite sur le bouton de mise sous tension pour allumer l'ordinateur.
- 6 Il est possible qu'une fenêtre s'ouvre et vous demande de choisir entre la récupération système à partir de disques (CD ou DVD) ou à partir du disque dur.
- 7 Choisissez la récupération à partir de disques et cliquez sur **Suivant**.
- 8 Dans la fenêtre de bienvenue au Gestionnaire de récupération, cliquez sur le bouton **Options avancées**.

- 9 Cliquez sur **Réinstaller l'ordinateur avec ses paramètres de la sortie d'usine** puis sur **Suivant**.
- 10 Lorsque vous êtes invité à sauvegarder vos fichiers et que cela est déjà fait, cliquez sur **Non** puis sur **Suivant**.
- 11 Insérez le disque de récupération suivant, si l'ordinateur vous y invite.
- 12 Lorsque le Gestionnaire de récupération a terminé, retirez le dernier disque.
- 13 Cliquez sur **Terminer** pour redémarrer l'ordinateur.

Exécution de la procédure suivant la récupération

- 1 À l'écran de bienvenue de Microsoft Windows, suivez les instructions qui apparaissent à l'écran de configuration, puis cliquez sur **Démarrer** dans le dernier écran pour afficher le bureau Windows.
- 2 Configurez votre connexion Internet.
- 3 Utilisez l'utilitaire Windows Update pour obtenir les mises à jour critiques de Microsoft.
 - Cliquez sur le **bouton Démarrer de Windows Vista**, puis sur **Panneau de configuration**.
 - Sous **Sécurité**, cliquez sur le bouton **Vérifier les mises à jour**.
 - Cliquez sur **Installer les mises à jour**.
 - Redémarrez votre ordinateur. (Certaines mises à jour ne seront installées qu'après le redémarrage.)
- 4 Utilisez la Mise à jour HP (HP Update) pour obtenir les mises à jour essentielles de HP :
 - Cliquez sur le **bouton Démarrer de Windows Vista, Tous les programmes**, puis sur le dossier **HP** et **HP Update**.
 - Pour télécharger les mises à jour de pilotes et de logiciels, suivez les instructions qui s'affichent à l'écran.

- 5 Éteignez l'ordinateur, rebranchez tous les périphériques connectés au départ à l'ordinateur, puis redémarrez l'ordinateur.
- 6 Réinstallez les logiciels livrés avec l'ordinateur ainsi que tout logiciel supplémentaire que vous avez acheté.
 - La récupération système peut avoir déjà installé certains logiciels livrés avec l'ordinateur.
 - Si vous aviez installé des mises à jour pour certains logiciels, vous devrez également les réinstaller. Vous pouvez généralement télécharger ces mises à jour à partir du site Web de l'éditeur du logiciel.
- 7 Si vous avez effectué une sauvegarde avant la récupération système, copiez les fichiers de sauvegarde de données à partir du support de sauvegarde sur votre disque dur.
- 8 Assurez-vous que votre système contient des logiciels de sécurité à jour.



i n v e n t

DÉCLARATION DE CONFORMITÉ

suivant les normes ISO/IEC 17050-1 et EN 17050-1

Nom du fournisseur : Hewlett-Packard Company
Adresse du fournisseur : Hewlett-Packard Company
10955 Tantau Ave
Cupertino, CA 95014 États-Unis

Déclare que le(s) produit(s)

Produit : Ordinateur personnel
Numéro(s) de modèle : 900
a000, a1000, a5000, a6000
CPT-001 P, CPT-001 R, CPT-002 P, CPT-002 R, CPT-003 P, CPT-003 R
d1000, d4000, dx2000, d5000
g2000, g3000
m000, m1000, m5000, m7000, m8000, m9000
s0000, s3000, s7000
SR1000, SR2000, SR5000, SA4000, SV2000, SV7000, SG2000, SG3000
t000, t3000
u6000
v2000, v7000
w1000, w5000
Séries x5000, z500, z6000, IQ500, IQ700, IQ800

Options du produit : Carte modem : RD01-D850, CX-9Z-NR0134
Bluetooth : BM-GP-BR-51
Carte de tuner TV : 71xxx, 74xxx, 78xxx, 26xxx, 25xxx, JayHawk, Fennec, Twolf
Clavier : 51xx, KB-06xx, KB-09xx, KM713K, SK29xx, I101-P01, PR11-01, 9131URF, 5189URF
Souris : KM713K, M389, M889, MOBJKC, MOBJKO, MOBLUL, M-SBQ133, M-SBP133, M-SBF96, M60PB, N17RBP, N17ROPKYE, 9131URF, 5189URF, MORFB1UO

respecte(nt) les spécifications suivantes :

Sécurité : IEC 60950-1:2001 / EN60950-1 : 2001
EN 60825-1 : 1994 + A1 : 2002 + A2 : 2001, Classe 1 (Laser/LED)

EMC : CISPR 22: 1997 / EN 55022: 1998 +A1:2000 +A2:2003, Classe B/ EN 55022:2006, Classe B
CISPR 24: 1997 / EN 55024:+1998 +A1:2001 +A2:2003
EN 55020:1995/ EN 55020:2002 +A1:2002 + A2:2005
EN 55013:2001 +A1:2003
EN 61000-3-2: 2006, Classe D
EN 61000-3-3: 1995 + A1 : 2001+ A2:2005
FCC Titre 47 CFR, Alinéa 15 Classe B / ICES-003
AS/NZS CISPR 22: 2004/ AS/NZS CISPR 22: 2006

Télécommunications : TBR 21: 1998
EN 300328 : V.1.6.1

Informations supplémentaires :

Le produit ci-joint respecte les exigences de la directive CEM de basse tension 2006/95/EC, la directive EMC 2004/108/EEC et la directive R&TTE 99/5/EC. En conséquence, il porte le marquage « CE ».

Ce matériel est conforme à l'alinéa 15 de la réglementation de la FCC. Son fonctionnement est sous réserve des deux conditions suivantes : (1) cet équipement ne doit pas causer d'interférences nuisibles et (2) cet équipement doit accepter toute interférence reçue, y compris les interférences capables de causer un mauvais fonctionnement.

Cupertino, CA États-Unis 07.02.08

Pour plus d'informations uniquement sur la réglementation et la sécurité, contactez :

Australie : Product Regulations Manager, Hewlett-Packard Australia Ltd., 31-41 Joseph Street, Blackburn, Victoria 3130, Australie

Europe : Hewlett-Packard GmbH, HQ-TRE, Herrenberger Straße 140, 71034 Böblingen, Allemagne

Amérique du Nord : Hardware Quality Eng. Manager, Hewlett-Packard, CPC, 10955 Tantau Ave., Cupertino, CA 95014

Fiche technique

Capacités électriques :	Reportez-vous à l'étiquette signalétique de votre ordinateur, à l'extérieur de celui-ci, pour connaître la puissance nominale exacte.
Température de fonctionnement :	5° à 35° C
Température de stockage :	-30° à 65° C
Humidité de fonctionnement :	15 à 80 % à 26°C
Altitude de fonctionnement :	0-2000 m
Altitude de stockage :	0-4572 m

Informations sur la réglementation et la sécurité



AVERTISSEMENT : Le texte mis en valeur de cette manière indique qu'il y a risque de dommages matériels, de perte d'informations et de blessures graves, voire mortelles, si les instructions ne sont pas suivies correctement.



AVERTISSEMENT : Cet ordinateur contient des pièces sous tension et amovibles. Débranchez le cordon d'alimentation avant de retirer le boîtier. Remettez le boîtier en place avant de remettre l'ordinateur sous tension.



AVERTISSEMENT : L'ordinateur est très lourd ; assurez-vous d'adopter une position ergonomique adéquate lors de sa manipulation.



AVERTISSEMENT : Avant d'installer votre ordinateur et de le connecter à une alimentation secteur, veuillez lire les *Informations de sécurité supplémentaires* plus loin dans ce document.

Des piles sont fournies avec ce produit. Lorsqu'elles sont à plat, ne les jetez pas à la poubelle, mais déposez-les dans un conteneur adapté à ce type de déchets chimiques.

Bij dit product zijn batterijen geleverd. Wanneer deze leeg zijn, moet u ze niet weggooien maar inleveren als Klein Chemisch Afval (KCA).



Avis concernant le mercure :

Elimination et traitement de certains matériaux

Ce téléviseur HP contient des matériaux qui requièrent un traitement spécial à la fin de leur cycle de vie :

- Le mercure contenu dans la lampe fluorescente de l'écran à cristaux liquides (LCD).

Il se peut que l'élimination du mercure soit réglementée en raison de considérations environnementales. Pour obtenir des informations sur la mise au rebut ou sur le recyclage de ces matières, veuillez contacter les autorités locales concernées ou l'association Electronic Industries Alliance (EIA) (<http://www.eiae.org>).

Avis concernant le perchlorate :

Matériau à base de perchlorate. Des consignes spéciales de manutention peuvent s'appliquer. Voir

<http://www.dtsc.ca.gov/hazardouswaste/perchlorate/>

Ce produit est équipé d'une pile d'horloge temps réel ou d'une petite pile en pièce de monnaie pouvant contenir du perchlorate, une substance faisant l'objet de règles spéciales si elle est recyclée ou éliminée en Californie.

Déclaration sur le volume sonore

Ecouter de la musique à un niveau sonore élevé pendant des périodes prolongées peut endommager l'audition. Afin de diminuer les risques de dégâts auditifs, il convient de baisser le volume à un niveau de sécurité confortable et de réduire le temps d'écoute à un niveau élevé.

- Pour votre propre sécurité, réglez toujours le volume avant d'utiliser un casque ou des écouteurs. Certains casques offrent un volume sonore plus élevé, même à réglage identique.
- Modifier les paramètres audio ou de l'égaliseur par défaut peut augmenter le volume ; il ne faut donc y recourir qu'avec précaution.
- Si un numéro de produit HP inclut un ordinateur avec casque ou écouteurs, l'ensemble est conforme à la norme EN 50332-1.
- En règle générale, la sortie audio I/F n'est pas censée être utilisée avec un casque ou des écouteurs.

Informations sur la sécurité et la réglementation de la FCC (États-Unis uniquement)

Déclaration de la Federal Communications Commission (FCC) sur les interférences radio



AVERTISSEMENT : Cet équipement a été testé et trouvé conforme aux limitations relatives aux appareils numériques de classe B, en accord avec l'article 15 des règles de la FCC. Ces limitations sont conçues pour offrir une protection raisonnable contre les interférences dans une installation résidentielle. Cet équipement produit, utilise et peut émettre de l'énergie sous forme de radiofréquences. S'il n'est pas utilisé conformément aux instructions, il peut produire des interférences nuisibles aux communications radio. Cependant, il n'existe aucune garantie assurant qu'il n'y aura pas d'interférence dans une installation particulière. Si cet équipement produit des interférences nuisibles pour la réception des ondes radio ou télévision, ce qui peut être déterminé en allumant et éteignant l'équipement, l'utilisateur devrait essayer de corriger les interférences en prenant l'une des mesures suivantes :

- Réorienter ou déplacer l'antenne réceptrice.
- Augmenter la distance entre l'équipement et le récepteur.
- Connecter l'équipement dans une prise reliée à un autre circuit que celui utilisé par le récepteur.
- Consulter le distributeur ou demander l'aide d'un technicien de radiotélévision expérimenté.

Des tests d'immunité aux bruits parasites et aux interférences radioélectriques ont été effectués avec des périphériques compatibles et des câbles blindés, identiques à ceux fournis avec votre système. Tout changement ou modification sans une autorisation expresse en ce sens du fabricant pourrait annuler le droit d'utiliser l'équipement. Pour satisfaire aux exigences de la FCC sur les équipements informatiques de classe B, utilisez toujours un câble de transmission blindé et le cordon d'alimentation fourni avec le système.

Informations à l'intention des consommateurs et exigences de la FCC

Raccordement téléphonique

- Cet équipement respecte les exigences de la partie 68 des règles de la Federal Communications Commission. Ces règles permettent à cet équipement d'être directement connecté au réseau téléphonique. Des prises normalisées peuvent être utilisées pour ces connexions. Cet équipement ne doit pas être utilisé sur une ligne partagée ou sur une ligne de téléphone public.
- Si cet équipement venait à mal fonctionner, il pourrait alors endommager le réseau téléphonique. Il devra alors être débranché jusqu'à ce que la source du problème soit connue et que la réparation soit faite. Dans le cas contraire, votre entreprise de téléphone pourrait vous déconnecter temporairement.
- Votre entreprise de téléphone peut modifier son fonctionnement technique et ses procédures. Si ces modifications affectent la compatibilité ou le fonctionnement de cet équipement, l'entreprise de téléphone doit fournir un avis préalable en ce sens.
- Si votre entreprise de téléphone demande des renseignements sur le type d'équipement connecté à ses lignes, donnez-lui :
 - a** Le numéro de téléphone utilisé par l'appareil
 - b** Le nombre équivalent de sonneries
 - c** La prise USOC requise : RJ-11C
 - d** Le numéro d'homologation FCC

Les éléments (b) et (c) sont indiqués sur l'étiquette. Le numéro d'équivalence sonnerie (NES) permet de savoir combien d'appareils peuvent être branchés sur votre ligne téléphonique. Dans la plupart des cas, la somme des NES ne peut dépasser cinq (5) par ligne. S'il y a trop d'appareils, ils risquent de mal sonner.

- Dans l'éventualité d'un défaut de fonctionnement de l'équipement, la réparation doit être effectuée par le fabricant ou par un centre de réparation agréé. Il revient aux utilisateurs de signaler tout problème au fabricant ou à un représentant agréé lorsqu'une maintenance est nécessaire. Reportez-vous à la rubrique « Obtenir de l'aide » de ce document pour connaître les coordonnées de HP.

Déclaration d'identification des télécopies

La loi américaine de 1991 sur la protection des consommateurs interdit à toute personne d'utiliser un ordinateur ou un autre appareil électronique pour envoyer un message par télécopieur qui ne contient pas clairement : une marge dans le haut ou le bas de chaque page transmise, ou sur la première page de la transmission, indiquant la date et l'heure de la transmission, le nom de l'organisation ou de la personne envoyant le message et le numéro de téléphone du télécopieur utilisé, de l'organisation ou de la personne envoyant le message.

Avis concernant la transition vers la télévision numérique

Cet appareil peut contenir un syntoniseur de télévision numérique. Dans ce cas, il devrait donc recevoir les signaux numériques avec une antenne adéquate ; les transmissions TV analogiques seront abandonnées le 17 février 2009 aux États-Unis. Certains vieux récepteurs qui fonctionnaient grâce à une antenne auront besoin d'un convertisseur de canaux pour recevoir la programmation numérique, mais ils devraient cependant pouvoir fonctionner pour d'autres besoins (par exemple, regarder les émissions de stations de télévision de faible puissance diffusant des signaux analogiques, regarder des films enregistrés sur magnétoscope ou jouer à des jeux vidéo). Lorsqu'un convertisseur est utilisé avec un ancien récepteur de télévision, il se peut que vous ayez besoin d'un répartiteur de signal pour continuer à recevoir les transmissions analogiques avec une antenne. Pour obtenir un complément d'information, veuillez consulter www.DTV.gov. Pour en savoir plus sur le programme de convertisseur TV et les rabais proposés par le gouvernement pour l'achat d'un convertisseur, visitez www.dtv2009.gov ou appelez NTIA au 1-888-DTV-2009.

Informations importantes concernant ENERGY STAR

Les ordinateurs HP portant le logo ENERGY STAR® sont conformes aux spécifications ENERGY STAR de l'EPA (Agence américaine de protection de l'environnement) relatives aux ordinateurs. La présence du logo ENERGY STAR de l'EPA ne constitue en aucun cas une recommandation de l'EPA. En tant que partenaire ENERGY STAR, Hewlett-Packard Company s'est assuré que les produits portant le logo ENERGY STAR satisfaisaient aux lignes directrices d'ENERGY STAR en matière d'utilisation efficace de l'énergie. Le logo ci-dessous apparaîtra sur tous les ordinateurs répondant aux critères ENERGY STAR :



Le programme ENERGY STAR pour les ordinateurs a été créé par l'EPA afin d'encourager la rentabilité énergétique et de diminuer la pollution de l'air grâce à des équipements plus économes aux domiciles et dans les usines et entreprises. L'un des moyens d'y parvenir consiste à réduire la consommation d'énergie des produits lorsqu'ils ne sont pas utilisés à l'aide de la fonction Gestion de l'alimentation de Microsoft Windows®.

La fonction Gestion de l'alimentation permet à l'ordinateur de passer en mode « veille » ou économie d'énergie après une période d'inutilisation. Lorsqu'elle est utilisée avec un moniteur externe conforme à ENERGY STAR, cette fonction prend également en charge la gestion de l'alimentation du moniteur. Pour profiter de ces économies d'énergie :

- La fonction Gestion de l'alimentation est préreglée pour éteindre l'ordinateur après 20 minutes d'inutilisation.

- La fonction Gestion de l'alimentation est préreglée pour éteindre l'écran après 15 minutes d'inutilisation.

Il suffit que l'utilisateur se serve d'un des périphériques d'entrée de l'ordinateur (ex. : souris, clavier, etc.) pour que l'ordinateur et l'écran se rallument. Lorsque la fonction Wake On LAN (WOL) est activée, il est également possible de rallumer l'ordinateur à l'aide d'un signal réseau.

Des informations complémentaires sur le potentiel d'économies énergétiques et financières de la fonction Gestion de l'alimentation sont disponibles sur le site Internet de la Gestion d'alimentation ENERGY STAR de l'EPA :

www.energystar.gov/powermanagement

Des informations complémentaires sur le programme ENERGY STAR et sur ses avantages pour l'environnement sont disponibles sur le site Internet ENERGY STAR de l'EPA :

www.energystar.gov



ATTENTION : L'utilisation de la fonction d'économie d'énergie du moniteur avec des moniteurs non conformes à ENERGY STAR peut entraîner une distorsion de l'image à la fin du décompte avant économie d'énergie.

Avis du ministère des Communications du Canada

Raccordement téléphonique

L'étiquette du ministère des Communications du Canada permet de reconnaître les équipements homologués. Cette homologation signifie que l'équipement respecte certaines normes de protection, de fonctionnement et de sécurité. Le ministère ne garantit pas que l'équipement fonctionnera à la satisfaction du client.

Avant d'installer cet équipement, l'utilisateur doit s'assurer qu'il est permis de le connecter aux installations de sa compagnie de téléphone locale. L'équipement doit être installé avec une procédure de connexion acceptable. Dans certains cas, le câblage intérieur d'une ligne téléphonique peut être prolongé avec un connecteur homologué (rallonge téléphonique). Le client doit savoir que le respect des conditions ci-dessus peut ne pas empêcher les dégradations de services dans certaines situations.

La réparation d'équipements homologués doit être confiée à un centre canadien de réparation agréé par le fabricant. Les réparations ou modifications effectuées par l'utilisateur, ainsi que les défauts de l'équipement peuvent inciter la compagnie de téléphone à demander le débranchement de l'appareil.

Pour sa propre protection, l'utilisateur doit s'assurer que les raccords de terre de l'entrée électrique, des lignes téléphoniques et de la plomberie métallique interne, s'il y a lieu, sont tous reliés. Cette précaution est particulièrement importante dans les zones rurales.



AVERTISSEMENT : L'utilisateur ne devrait pas tenter de faire ces connexions lui-même, mais devrait utiliser les services de l'organisme approprié d'inspection des installations électriques, ou ceux d'un électricien, selon le cas.



AVERTISSEMENT : La valeur de charge .9 attribuée à chaque élément terminal indique le pourcentage de la charge totale pouvant être connecté à une boucle téléphonique. Cette valeur est utilisée pour éviter les surcharges. La terminaison d'une boucle peut être constituée d'une combinaison quelconque d'équipements, dans la mesure où la somme des valeurs de charge ne dépasse pas 100.



AVERTISSEMENT : Lorsque vous utilisez cet appareil, vous devez toujours prendre des mesures élémentaires de sécurité pour réduire les risques d'incendie, d'électrocution et de blessures, notamment :

N'utilisez pas ce produit près de l'eau, par exemple près d'une baignoire, d'une cuvette, d'un évier ou d'un bac à laver, ni dans un sous-sol mouillé ou près d'une piscine.

Évitez d'utiliser ce produit durant un orage. Il existe un faible risque d'électrocution par la foudre.

N'utilisez pas ce produit pour signaler une fuite de gaz s'il est à proximité de la fuite.

Déconnectez toujours le câble du modem avant d'ouvrir le boîtier de l'appareil ou de toucher un câble, une prise ou un composant interne sans isolant.

Si ce produit n'a pas été fourni avec un cordon téléphonique, utilisez uniquement un cordon téléphonique de grosseur 26 AWG ou plus épais pour éviter les risques d'incendie.

Ne branchez jamais un cordon de modem ou de téléphone dans la prise d'interface réseau.

CONSERVEZ CES INSTRUCTIONS

Déclaration du ministère des Communications du Canada (Canada uniquement)

Cet appareil numérique de classe B respecte toutes les exigences du Règlement sur le matériel brouilleur du Canada.

Informations de sécurité supplémentaires

Ce système n'a pas été évalué pour un raccordement à un système électrique « IT » (c'est-à-dire un système de distribution C.A. sans connexion directe à la terre, selon la norme IEC 60950).

Cet équipement est conforme aux exigences techniques pour équipements terminaux requises par Industrie Canada. Le numéro d'homologation confirme cette conformité. L'abréviation IC devant le numéro d'homologation signifie que l'homologation a été accordée sur la base d'une Déclaration de Conformité indiquant que les exigences techniques

d'Industrie Canada ont été satisfaites. Elle ne sous-entend pas que Industrie Canada a approuvé l'équipement.

Avertissement de sécurité concernant l'alimentation C.A. –courant alternatif-



AVERTISSEMENT : Installez l'ordinateur à proximité d'une prise c.a. Le câble d'alimentation est le principal outil de débranchement de votre ordinateur et doit toujours être facilement accessible. Pour votre sécurité, le cordon d'alimentation fourni avec votre ordinateur possède une prise avec mise à la terre. Branchez toujours le câble dans une prise murale avec mise à la terre, afin d'éviter les risques d'électrocution.



AVERTISSEMENT : Votre ordinateur est doté d'un commutateur de sélection de tension (115 ou 230 V_~). Ce commutateur a été placé sur la tension appropriée pour le pays ou la région dans lesquels l'équipement est initialement vendu. Mettre le commutateur sur la mauvaise position peut endommager l'ordinateur et annuler toute garantie implicite.



AVERTISSEMENT : Pour réduire les risques de choc électrique en provenance du réseau téléphonique, branchez votre ordinateur dans une prise c.a. avant de le connecter à une ligne téléphonique. Par ailleurs, déconnectez votre ligne téléphonique avant de débrancher votre ordinateur de la prise C.A.



AVERTISSEMENT : Débranchez le cordon du modem du réseau téléphonique avant d'installer ou d'enlever le capot de votre ordinateur.



AVERTISSEMENT : N'utilisez pas l'ordinateur lorsque le capot est enlevé.



AVERTISSEMENT : Pour plus de sécurité, débranchez toujours l'ordinateur de sa source d'alimentation, de tout système de télécommunications (comme les lignes téléphoniques), des réseaux et des modems avant d'exécuter toute opération de maintenance. Si vous ne respectez pas ces consignes, vous risquez de vous blesser ou de causer des dommages matériels. Des niveaux de tension dangereux se trouvent à l'intérieur du bloc d'alimentation et du modem de ce produit.

Avis concernant les piles au lithium



AVERTISSEMENT : L'ordinateur utilise une pile au lithium de type CR2032. Le remplacement incorrect de la pile peut provoquer une explosion. Utilisez uniquement une pile de même type ou de type équivalent. Jetez les piles usées conformément aux instructions du fabricant.

Déclaration sur la sécurité des équipements laser

Produit avec diode électroluminescente (DEL) de classe 1

Les lecteurs de CD-ROM et de DVD contiennent un système laser. Ils sont considérés comme un produit laser de classe 1 selon une norme sur les équipements à radiations du ministère américain de la Santé et des Services sociaux (DHHS) conformément à la loi de 1968 sur le contrôle des radiations pour la santé et la sécurité du public.

Si l'appareil nécessite un jour une réparation, adressez-vous à un centre de service agréé.



AVERTISSEMENT : L'utilisation de commandes, réglages ou procédures d'exécution autres que ceux spécifiés dans le Manuel de mise à niveau et d'entretien peut entraîner une exposition à des radiations. Afin d'éviter une exposition directe au rayon laser, ne tentez pas d'ouvrir le boîtier du lecteur de CD-ROM ou de DVD.

Étiquette de produit laser

L'étiquette suivante ou son équivalent est collée sur les produits laser :



Cette étiquette confirme que le produit est classé à titre de PRODUIT LASER DE CLASSE 1. Cette étiquette apparaît sur un appareil laser faisant partie de votre système.

Remarque pour l'installateur du système CATV

Les installateurs de systèmes de câblodistribution peuvent consulter la section 820-93 du National Electrical Code des États-Unis, indiquant les lignes directrices d'une mise à la terre correcte et stipulant notamment que le blindage du câble coaxial doit être connecté au système de mise à la terre du bâtiment aussi proche que possible du point d'entrée du câble.

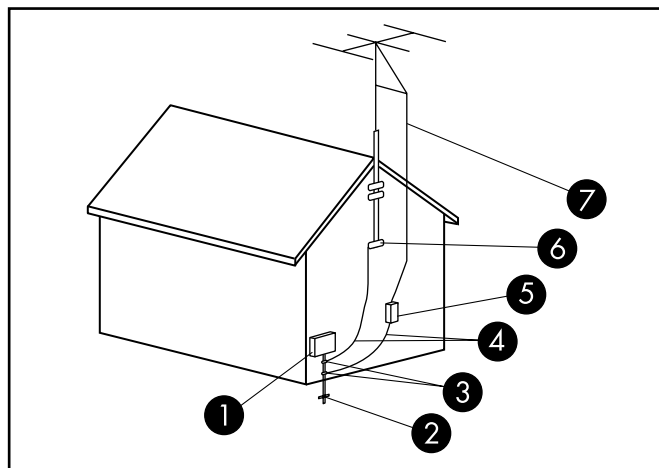
Protection des connecteurs pour antenne de téléviseur

Mise à la terre d'une antenne de télévision extérieure

Si une antenne extérieure ou un système de transmission par câble est raccordé à ce produit, assurez-vous que l'antenne ou le système de transmission par câble est électriquement mis à la terre, de façon à vous protéger contre les surtensions et les accumulations d'électricité statique. L'article 810 du National Electrical Code des États-Unis (ANSI/NFPA 70) fournit des informations sur la mise à la terre du mât et de la structure de base, sur la mise à la terre du fil conducteur vers un système de décharge, sur la taille des conducteurs de mise à la terre, sur l'emplacement du système de décharge, sur le raccordement des électrodes de mise à la terre et sur les exigences applicables à l'électrode de mise à la terre.

Protection contre la foudre

Pour mieux protéger vos appareils durant un orage, ou lorsque l'équipement demeure longtemps inutilisé et sans surveillance, débranchez le câble de raccordement électrique, puis l'antenne ou le câble. Vous éviterez ainsi que la foudre ou des surtensions n'endommagent l'équipement.



Mise à la terre de l'antenne

Mise à la terre de l'antenne

Référence	Matériel de mise à la terre
①	Boîtier de distribution électrique
②	Systèmes d'électrodes de mise à la terre du réseau électrique (art. 250 du NEC, Partie H)
③	Pince de mise à la terre
④	Conducteurs de mise à la masse (Section 810-21 du NEC)
⑤	Unité de décharge d'antenne (Section 810-20 du NEC)
⑥	Pince de mise à la terre
⑦	Fil conducteur de l'antenne

Lignes électriques

Aucun système d'antenne extérieure ne doit être installé à proximité de lignes électriques aériennes ou d'autres appareils électriques installés en hauteur, ni dans un endroit où l'antenne pourrait tomber sur de telles installations électriques.



AVERTISSEMENT : Lorsque vous installez une antenne extérieure, vous devez faire extrêmement attention à ne pas toucher ces lignes et circuits d'alimentation, tout contact pouvant être mortel.



Copyright © 2008 Hewlett-Packard Development Company, L.P.
The information contained herein is subject to change without notice.
Les informations contenues dans le présent document peuvent faire l'objet de modifications sans préavis.
Printed in XXXXX

