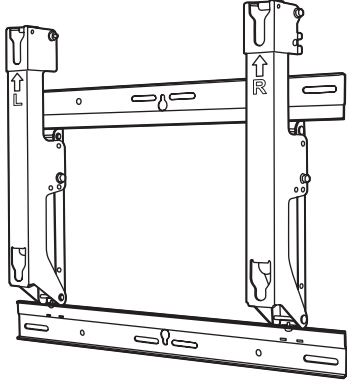


Panasonic®



Model No.

TY-WK4P1RW

<p>Fitting Instructions Plasma TV wall-hanging bracket (Adjustable angle type) Before commencing work, carefully read these Instructions and the Manual for the plasma TV to ensure that fitting is performed correctly. (Please save these instructions. You may need them when maintaining or moving the bracket.)</p>	English
<p>Anleitung zur Anbringung Wandhalterung zum Anbringen des Plasma-Fernsehers (Typ mit einstellbarem Winkel) Vor der Ausführung lesen Sie bitte diese Anleitung und die Bedienungsanleitung für das Plasma-Fernseher sorgfältig durch, damit die Anbringung richtig ausgeführt wird. (Bitte bewahren Sie diese Anleitung auf. Sie kann bei der Wartung oder der erneuten Anbringung der Halterung benötigt werden.)</p>	Deutsch
<p>Montage-instructies Muurbevestigingssteun voor plasmatelesie (met verstelbare montagehoek) Lees deze installatiehandleiding en de bedieningshandleiding voor de plasmatelesie zorgvuldig door voordat u begint, zodat de montagewerkzaamheden op de juiste wijze worden uitgevoerd. (Bewaar deze handleiding. U hebt de handleiding weer nodig wanneer u de bevestigingssteun verwijdert of verplaatst.)</p>	Nederlands
<p>Istruzioni per il montaggio Supporto per il montaggio a parete del televisore al plasma (con angolazione regolabile) Prima di iniziare il montaggio leggere attentamente queste istruzioni ed il manuale dello televisore al plasma per poter procedere al montaggio in modo corretto. (Conservare poi queste istruzioni che si renderanno necessarie per la manutenzione e l'eventuale spostamento della staffa.)</p>	Italiano
<p>Instructions de montage Applique de fixation au mur du téléviseur à plasma (Type à angle réglable) Avant de commencer le travail, lisez attentivement ces instructions ainsi que le mode d'emploi de téléviseur à plasma de manière à réaliser un montage convenable. (Conservez soigneusement les présentes instructions. Vous pouvez en avoir besoin pour effectuer un entretien ou si vous désirez déplacer l'applique.)</p>	Français
<p>Instrucciones de instalación Soporte para colgar el televisor de plasma en una pared (Tipo de ángulo ajustable) Antes de empezar el trabajo, lea atentamente estas instrucciones y el manual de el televisor de plasma para asegurar una instalación correcta. (Guarde estas instrucciones. Podrá necesitarlas cuando haga trabajos de mantenimiento o nueva el soporte.)</p>	Español
<p>Instruções de montagem Suporte de instalação na parede do televisor com ecrã de plasma (Com ângulo ajustável) Antes de começar a trabalhar, leia com atenção estas instruções e o manual do televisor com ecrã de plasma, para ter a certeza de que a montagem é feita correctamente. (Guarde estas instruções. Pode precisar delas quando fizer a manutenção ou deslocar o suporte.)</p>	Português
<p>Monteringsanvisningar Väggupphängningshållare för plasmatelevision (vinklingsbar typ) Innan arbetet påbörjas ska du noga läsa dessa anvisningar och bruksanvisningen som medföljer plasma-TV:n för att försäkra att arbetet utförs på rätt sätt. (Bevara dessa anvisningar. Du kan behöva anlita dem på nytt för underhåll eller flyttning av hållaren.)</p>	Svenska
<p>Opsætningsinstruktioner Vægophæng til plasma-tv (justerbar vinkeltype) Før arbejdet påbegyndes, skal De omhyggeligt læse disse instruktioner og betjeningsvejledningen til plasma-tv'et for at sikre at opsætningsarbejdet udføres korrekt. (Gen disse instruktioner. De kan få brug for dem ved vedligeholdelse, eller hvis ophænget skal flyttes.)</p>	Dansk
<p>Инструкция по установке Кронштейн для настенного крепления широкоформатного плазменного телевизора (Модель с регулируемым углом) Перед проведением работ внимательно прочитайте эту Инструкцию и Руководство для плазменного дисплея, чтобы убедиться в том, что установка выполняется правильно. (Сохраните, пожалуйста, эту инструкцию. Она может Вам понадобиться для технического обслуживания или перемещения.)</p>	Русский
<p>Інструкції з встановлення Настінний кронштейн для плазмового телевізора (з можливістю регулювання кута нахилу) Перед початком робіт уважно прочитайте ці інструкції та інструкції з експлуатації плазмового дисплея, аби забезпечити правильний монтаж. (Збережіть ці інструкції, оскільки вони можуть знадобитись Вам, коли виникне необхідність у технічному обслуговуванні або встановленні кронштейна в іншому місці.)</p>	Українська
<p>组装设置说明书 壁挂式框架 (角度可调型) 在安装施工之前, 请务必认真阅读本说明书和等离子显示器的使用说明书, 在此基础上正确地施工。 在完成安装施工之后, 请将本说明书转交给顾客, 请顾客认真阅读后妥为保管。 (因为在更改安装位置或维修之时, 可能会需要本说明书。)</p>	中文
<p>Hướng dẫn lắp đặt Giá đỡ treo tường TV Plasma (loại góc có thể điều chỉnh) Hãy đọc cẩn thận những hướng dẫn dưới đây và tham khảo sách chỉ dẫn TV plasma trước khi tiến hành lắp ráp nhằm đảm bảo cho công việc lắp ráp được thực hiện chính xác. (Hãy lưu những chỉ dẫn này lại vì bạn có thể dùng đến chúng khi bảo trì hoặc dịch chuyển giá đỡ.)</p>	Tiếng Việt

Safety precautions

WARNING

Ensure that the installation location is strong enough to support long-term use.

- If its strength becomes insufficient over the course of long-term use, the plasma TV may drop, possibly causing injury.

Fitting work and connection equipment expansion should never be done by any other than a qualified installation specialist.

- Incorrect fitting may cause equipment to fall, resulting in injury.

Include a safety factor when considering the strength of the proposed fitting location.

- If strength is not sufficient the equipment may fall, resulting in injury.

Do not fit at a location that cannot bear the load.

- If the fitting location lacks sufficient strength the equipment may fall.

Do not disassemble or modify the wall-hanging bracket.

- Otherwise the unit may be dropped and become damaged, and personal injury may result.

CAUTION

Do not use any television and displays other than those given in the catalogue.

- Otherwise the unit may be dropped and become damaged, and personal injury may result.

Do not fit at any locations subject to humidity, dust, smoke, steam or heat.

- This may have an adverse effect on the plasma TV and cause fire or electric shock.

The work of fitting or removing the plasma TV must be performed by at least two people.

- The plasma TV may fall and cause injury.

Do not fit facing upwards, sideways or upside down.

- This may cause heat to build up inside the plasma TV unit, resulting in a fire.

Provide spacing around the plasma TV of at least 10 cm to the top, the side and the bottom, leave a clearance between the rear panel and the wall.

- The plasma TV unit has air blow holes on the top, and air suction holes on the bottom and rear. Covering these may result in a fire.

Install the plasma TV by taking only the steps which are specified in these instructions: Do not install it in any other way.

- Otherwise the unit may be dropped and become damaged, and personal injury may result.

Install the mounting screws and power cable in such a way that they will not make contact with the inside parts of the wall.

- Electric shocks may result from contact with any metal objects inside the wall.

For installation, use the special-purpose constituent parts.

- Otherwise, the plasma TV may fall off the wall, possibly causing injury.

Remove the product that will not be used any longer.

- Otherwise the product may fall down and personal injury may result.

Requests regarding handling

- 1) Exercise care when selecting the location for the TV because it may discolor or deform due to light or heat if it is placed where it is exposed to direct sunlight, or near a heater.
- 2) Clean the wall-hanging bracket by wiping it with a soft, dry cloth (such as cotton or flannel). If the bracket is very dirty, remove the dirt using a neutral detergent diluted in water, and then wipe it clean with a dry cloth. Do not use benzene, thinner, or furniture wax as this may cause the coating to peel. (For information on cleaning the display unit, see the display unit's instruction manual. If using a chemically-treated cloth, follow the instructions supplied with the cloth.)
- 3) Do not affix adhesive tape or stickers to the product. Doing so may dirty the surface of the wall-hanging bracket. Do not allow long-term contact with rubber, vinyl products or the like. (Doing so will cause deterioration.)
- 4) Take care during installation as shocks can cause 'panel cracks' to the plasma TV unit.


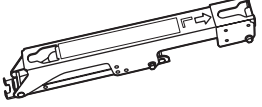
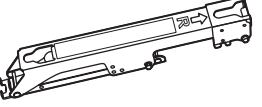

Caution:

This bracket is intended for only Panasonic plasma TV models (See page 80-83).
Use with other apparatus is capable of resulting in instability causing possible injury.

PROFESSIONAL INSTALLATION IS REQUIRED.
PANASONIC DISCLAIMS ANY PROPERTY DAMAGE AND/OR SERIOUS INJURY, INCLUDING DEATH
RESULTING FROM IMPROPER INSTALLATION OR INCORRECT HANDLING.

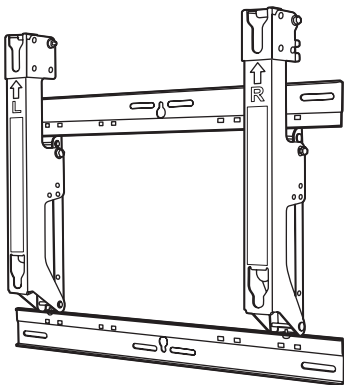
TY-WK4P1RW Wall-hanging bracket (Adjustable angle type)

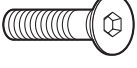


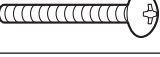


Parts used to assemble the wall-hanging bracket

<p>① Base upper and lower fittings (2)</p> 	<p>② Bracket base left fitting (1)</p> 	<p>③ Bracket base right fitting (1)</p> 	<p>④ M5x8 screws for assembling the fixture (4)</p> 
--	--	--	---

Parts used for installation

View of fully assembled fixture



<p>A M8x32 Allen head countersunk screws (4)</p> 	<p>D Spacers (4)</p> 
<p>B Dished toothed washers (4)</p> 	<p>E M5x50 Unit fastening screws (2)</p> 
<p>C Insulation spacers (4)</p> 	<p>F Allen wrench (included tool) (1)</p> 

Precautions for wall-hanging bracket fitting

- ◆ Installation and removal work must be carried out only by a qualified technician.
If the unit is installed or removed improperly, the display may fall down and personal injury may result.
- ◆ The wall-hanging bracket is for use in attaching a plasma TV unit to a vertical wall for viewing. Do not fit to any surface other than a vertical wall.
- ◆ To ensure correct plasma TV performance and prevent trouble, do not fit at any of the following locations.
 - Near sprinklers or fire/smoke detectors
 - Where there is a risk of exposure to vibration or impact
 - Near high-voltage wires or dynamic power supplies
 - Near sources of magnetism, heat, water vapor or soot
 - Locations exposed to air blown from heating equipment
 - Where droplets of condensation from an air conditioner or other unit may form.
- ◆ Fit using techniques suited to the structure and materials of the fitting location.
- ◆ Use commercially available screws with a nominal diameter of 6 mm (0.2 inches) that are suited to the wall material (wood, steel frame, concrete etc.) you are fitting the bracket to.
- ◆ For the TV power supply plug, use a power supply outlet that can be reached easily.
- ◆ Ensure good air flow so that the equipment ambient temperature does not exceed 40 °C (104 °F). Failure to do this may cause heat to build up inside the plasma TV, resulting in malfunction.
- ◆ Spread a soft blanket or cloth over the floor so that the plasma TV and floor will not be marked or scratched during the assembly and installation work.
- ◆ When screwing down the parts, ensure that the screws are neither insufficiently tightened nor over tightened.
- ◆ Take sufficient care to ensure safety around you when performing the assembly and installation work or while moving about during the course of the work.
- ◆ Do not install the Plasma TV underneath ceiling lamps (spotlights, halogen lamps, etc.). Otherwise, the cabinet may be bent or damaged by high heat.

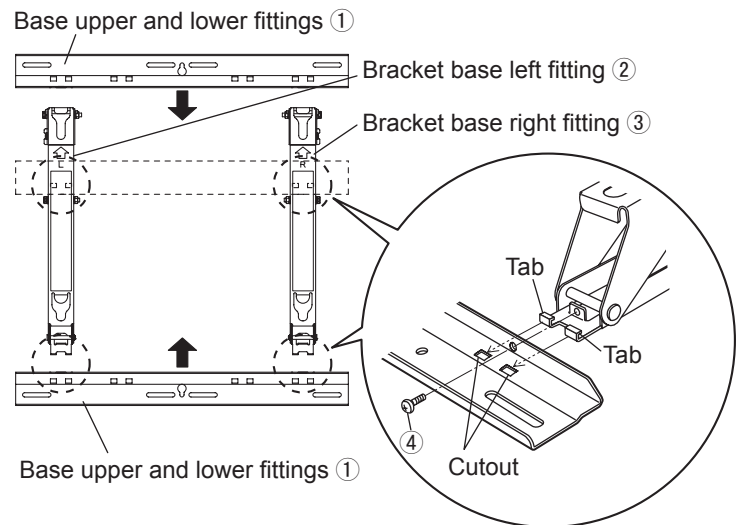
Fitting procedure

[Never use any other method than specified to install.]

1. Assembling the wall-hanging bracket

Lay the base upper and lower fittings ① and the bracket base left and right fittings ② and ③ as shown in the figure.

Fit the protrusions (tabs) of the bracket base left and right fittings into the cutouts (2 on the left and 2 on the right) in the base upper and lower fittings, and secure the parts using the four screws ④ for assembling the fixture. (Tightening torque: 1.2 to 1.5 N·m)

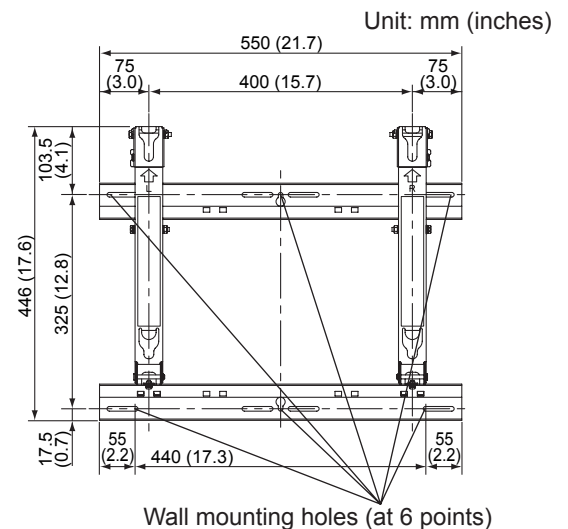


2. Checking the strength of the installation location

- ① The wall-hanging bracket weighs approximately 3.2 kg (7.1 lbs). Refer to the instruction manual of the plasma TV, and check the weight of the plasma TV unit which will be fitted into the wall-hanging bracket.
- ② Refer to the outline drawing of the wall-hanging bracket shown on the right, and check the wall strength at the six installation positions shown. If the strength at any of these positions is lacking, provide sufficient reinforcement.

Notes

- There are five pre-drilled mounting holes at the top and another five at the bottom of the wall-hanging bracket. Use the spare holes provided if wood or some other material is used for the wall and a sufficient level of mounting strength cannot be ensured by anchoring the fixture at the six positions shown on the right. However, bear in mind that, depending on which materials the mounting surface is made of, cracks may form on the surface if the screws are used at positions which are too close together.
- Mount or place only a plasma TV on the fixture: Do not mount or place any other product.
- For details on the dimensions applying when the plasma TV is mounted, refer to the outline drawing (on page 80-83).



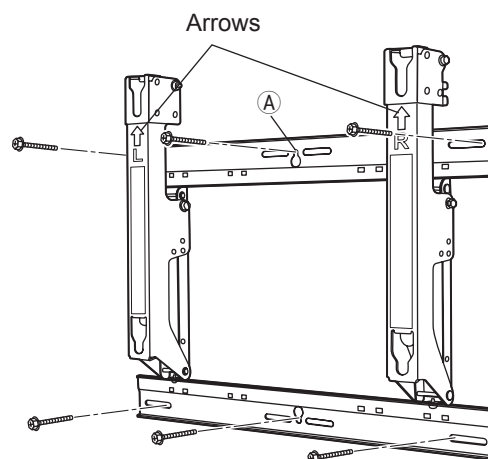
Use the screws without fail to anchor the fixture.

3. Installing the wall-hanging bracket on the wall

- ① Install the wall-hanging bracket so that the arrows indicated on it are pointing upward.
- ② First of all, secure the screw in the upper center hole (A).
- ③ Use a level to ensure that the fixture is not tilting on one side, and then secure the screws in the five remaining holes.

Notes

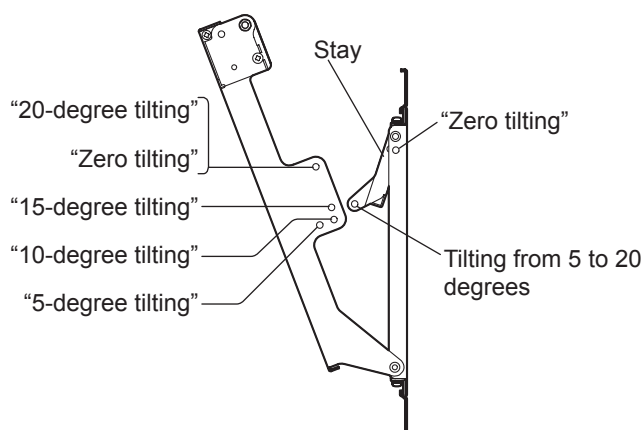
- If it is necessary to embed bolts or nuts in the wall prior to installing the wall-hanging bracket because the wall is made of concrete, for instance, locate the positions of the holes by putting the actual wall-hanging bracket in place on the wall or by calculating the hole positions from the outline drawing, and then embed bolts and nuts with a nominal diameter of 6 mm (0.2 inches) or their equivalent. When embedding the bolts, ensure that their heads protrude by 10 to 15 mm (0.4 to 0.6 inches) from the surface of the wall.
- For installing the wall-hanging bracket onto the wall, use screws with a nominal diameter of 6 mm (0.2 inches) or their equivalent available from a hardware store and suited to the materials of the installation area on the wall.
- Anchor the screws in at least six locations.



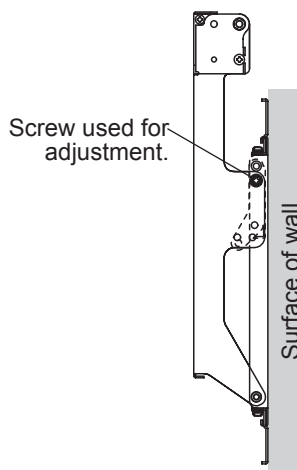
4. Adjusting the angle of the wall-hanging bracket.

- ① The angle of this wall-hanging bracket can be adjusted in 5-degree increments to one of five positions ranging from "zero tilting" to "20-degree tilting."

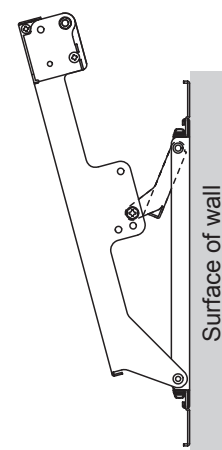
When the wall-hanging bracket is shipped from the manufacturing plant, the angle is set to "zero tilting." To change this angle, remove the screws used for adjustment and change the position of the stay.
(Tightening torque: 1.2 to 1.5 N·m)



When the angle is set to "Zero tilting"



When the angle is set to "15-degree tilting"



Note

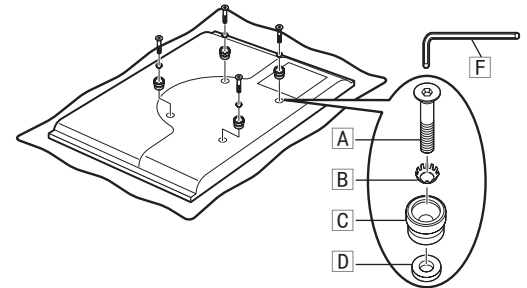
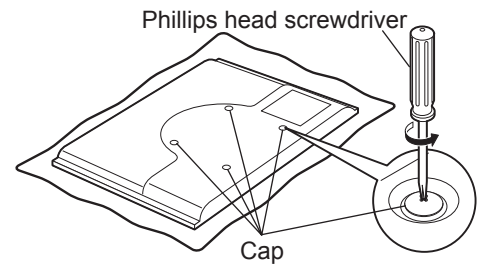
- When using some types of HDMI cables (RP-CDHG80 or RP-CDHG100) or PC cables, the cable may touch the wall and cause damage to the HDMI terminal or the PC input terminal on the television set. In such a case, adjust the angle of the wall-hanging bracket so that no weight is applied to the cable.

5. Installing the insulation spacers onto the plasma TV

- ① Place the plasma TV face down on a clean blanket or other piece of fabric free from dirt and foreign matter, and proceed as instructed below.
Take care to prevent scratches or damage if the plasma TV has protruding parts.
- ② Use a Phillips head screwdriver to remove the caps (4) from the plasma TV.

Note

- Keep the caps which have been removed in a safe place.
(They will be required when a separate installation stand is used.)
- ③ As shown in the figure on the right, install the accessory M8×32 Allen head countersunk screws **A**, dished toothed washers **B**, insulation spacers **C** and spacers **D** (x4 for each part) using included allen wrench **F** at the locations where the caps were previously installed.
(Tightening torque: 3 to 4 N·m)

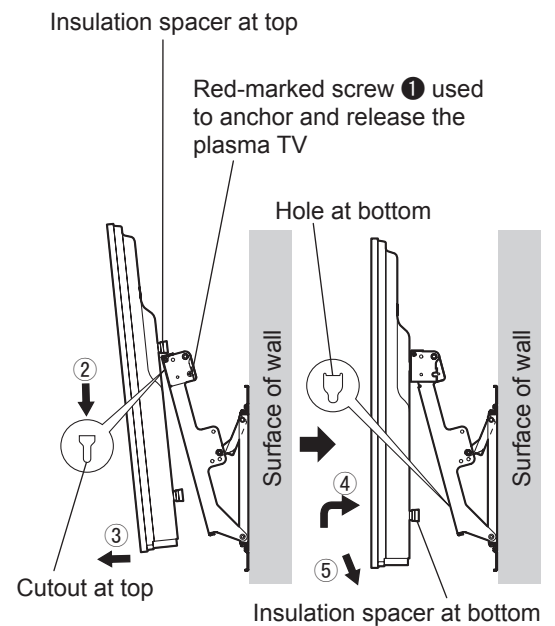


6. Mounting the plasma TV onto the wall-hanging bracket and connecting it to the other components

- ① Remove the left and right red-marked screws ❶ (one at the left and one at the right) used to anchor and release the plasma TV.
- ② Fit the insulation spacers at the top of the plasma TV onto the cutouts at the top of the wall-hanging bracket, and lower the plasma TV.
- ③ Pull the plasma TV toward you as shown in the figure on the right, and connect it to the other components.
- ④ After completing the connections, lift the plasma TV slightly, and insert the insulation spacers at the bottom into the holes at the lower part of the wall-hanging bracket.
- ⑤ Now lower the plasma TV.

CAUTION

- If the plasma TV is lifted too much, its top part will become disengaged from the wall-hanging bracket.

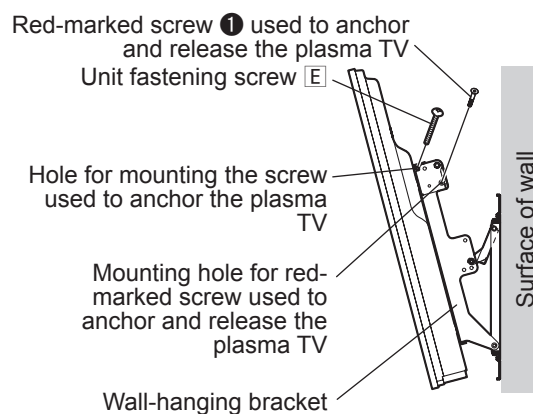


7. Anchoring the plasma TV

- ① Install the accessory Unit fastening screws **E** (2) into the screw mounting holes on the sides (left and right) of the wall-hanging bracket used to secure the plasma TV.
- ② Securely tighten the left and right red-marked screws **1** (one at the left and one at the right) used to anchor and release the plasma TV in the red-marked screw mounting holes on the side of the wall-hanging bracket used to anchor and release the plasma TV.
(Tightening torque: 1.2 to 1.5 N•m)

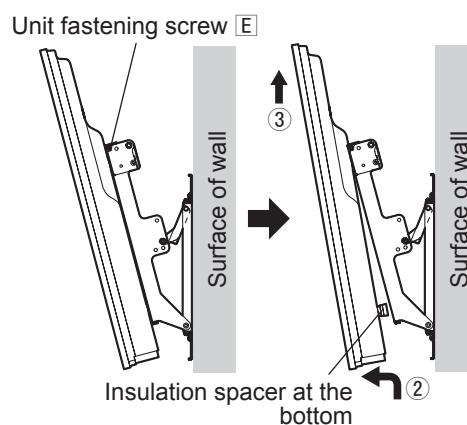
Note

- In order to prevent the plasma TV from becoming disengaged from the wall-hanging bracket, the Unit fastening screws **E** must be securely tightened at the left and right as far as their bases.



8. How to remove the plasma TV from the wall-hanging bracket

- ① Remove the Unit fastening screws **E** (one at the left and one at the right) installed at the sides of the wall-hanging bracket.
- ② While lifting the bottom part of the plasma TV, pull the plasma TV toward you.
- ③ Once the insulation spacers at the bottom have been released, lift the plasma TV straight up.



Sicherheitsmaßnahmen

Warnung

Vergewissern Sie sich, dass der Installationsort auch für den Langzeitgebrauch stark genug ist.

- Falls die Stärke bei Langzeitgebrauch unzureichend wird, kann das Display herunterfallen und ggf. Verletzungen verursachen.

Das Anbringen und die Verbindung der Geräte sollte immer von einer für die Installation qualifizierten Person ausgeführt werden.

- Falsches Zubehör kann zum Herunterfallen des Gerätes und zur Verletzung von Personen führen.

Aus Sicherheitsgründen sollte die Festigkeit des vorgesehenen Anbringensortes immer sichergestellt werden.

- Wenn keine ausreichende Festigkeit gegeben ist, kann dies zum Herunterfallen des Gerätes und zu Verletzungen von Personen führen.

Nicht an einem Ort anbringen, der das Gewicht des Gerätes nicht tragen kann.

- Wenn der Anbringungsort keine ausreichende Festigkeit aufweist, kann das Gerät herunterfallen.

Die Wandhalterung nicht zerlegen oder modifizieren.

- Anderenfalls kann das Gerät herunterfallen und Verletzungen oder Schäden verursachen.

Vorsicht

Nicht an einem Ort anbringen, an dem Feuchtigkeit, Staub, Rauch, Dampf oder übermäßige Wärme vorhanden ist.

- Dadurch kann der Plasma-Fernseher beschädigt und Feuer oder elektrischer Schlag verursacht werden.

Nicht für Fernseher verwenden, die nicht in diesem Katalog aufgeführt sind.

- Anderenfalls kann das Gerät herunterfallen und dabei beschädigt werden oder Verletzungen verursachen.

Das Anbringen oder Abnehmen des Plasma-Fernsehers muss immer von mindestens zwei Personen ausgeführt werden.

- Der Plasma-Fernseher kann herunterfallen und Verletzungen verursachen.

Nicht nach oben, auf die Seite oder nach unten weisend anbringen.

- Dadurch kann im Plasma-Fernseher ein Wärmestau entstehen und Feuer verursachen.

Um den Plasma-Fernseher sollte mindestens ein Abstand von 10 cm nach oben und auf der rechten Seite, mindestens 10 cm auf der linken Seite, mindestens 10 cm auf der Unterseite, zwischen der Rückwand des Displays und der Wand muss ein Freiraum eingehalten werden.

- Der Plasma-Fernseher ist mit Luftaustrittsöffnungen auf der Oberseite und Lufteintrittsöffnungen auf der Unterseite und Rückseite ausgestattet. Das Abdecken dieser Öffnungen kann Feuer verursachen.

Gehen Sie zur Installation des Plasma-Fernsehers ausschließlich wie in dieser Anleitung beschrieben vor: Die Installation darf auf keine andere Weise ausgeführt werden.

- Anderenfalls kann das Gerät herunterfallen und Verletzungen oder Schäden verursachen.

Achten Sie bei der Installation darauf, dass die Kreuzschlitzschrauben und das Netzkabel keine in der Wand vorhandenen Metallgegenstände berühren.

- Bei Kontakt mit Metallgegenständen, die in der Wand vorhanden sind, besteht die Gefahr von elektrischem Schlag.

Verwenden Sie zur Installation ausschließlich die Spezial-Befestigungsteile im Lieferumfang.

- Anderenfalls kann der Plasma-Fernseher von der Wand herunterfallen und Verletzungen verursachen.

Die Deckenhalterung demontieren, wenn sie nicht mehr verwendet werden soll.

- Anderenfalls kann die Halterung herunterfallen und Verletzungen verursachen.

Vorsichtsmaßnahmen bei der Handhabung

- 1) Der Aufstellungsort des Plasma-Fernsehers sollte sorgfältig ausgesucht werden, weil das Gehäuse sich aufgrund von Lichtstrahlen oder Wärme verfärben oder verformen kann, wenn es direkter Sonneneinstrahlung ausgesetzt ist oder in der Nähe eines Heizgerätes aufgestellt wird.
- 2) Reinigen Sie die Wandhalterung mit einem weichen, trockenen Tuch (z. B. aus Baumwolle oder Flannel). Bei starker Verschmutzung der Wandhalterung wischen Sie die Schmutzflecken mit einem Tuch ab, das mit einer Lösung aus einem neutralen Reinigungsmittel und Wasser angefeuchtet ist, und reiben Sie anschließend mit einem trockenen Tuch nach. Verwenden Sie auf keinen Fall Benzol, Farbverdünner oder Möbelwachs, da derartige Substanzen ein Abblättern der Lackierung verursachen können. (Informationen zum Reinigen des Displays finden Sie in der Bedienungsanleitung des Displays. Bei Verwendung eines chemisch behandelten Reinigungstuchs sind die Anweisungen der dem Tuch beiliegenden Gebrauchsanweisung sorgfältig zu beachten.)
- 3) Kein Kleband oder Aufkleber am Gerät anbringen. Dadurch kann die Wandhalterung verunreinigt werden. Vermeiden Sie den Langzeitkontakt mit Gummi, Vinylprodukten und dergleichen. (Anderenfalls kommt es zu einer Verschlechterung des Produkts.)
- 4) Gehen Sie bei der Montage vorsichtig vor, da Stöße zu 'Bildschirmrissen' am Plasma-Fernsehgerät führen können.

Vorsicht:

Diese Halterung ist ausschließlich für Plasma-Fernsehermodelle der Marke Panasonic vorgesehen (siehe Seite 80-83).

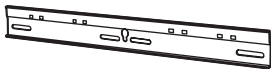
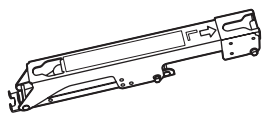
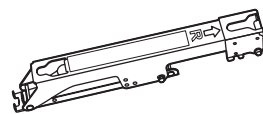
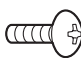
Die Verwendung mit anderen Geräten kann zu Instabilität führen und Verletzungen zur Folge haben.

DIE INSTALLATION IST PROFESSIONELL DURCHZUFÜHREN.

Panasonic übernimmt keine Haftung für Sachschäden und/oder schwere Verletzungen, einschließlich Todesfall, die auf unsachgemäße Installation oder falsche Handhabung zurückzuführen sind.

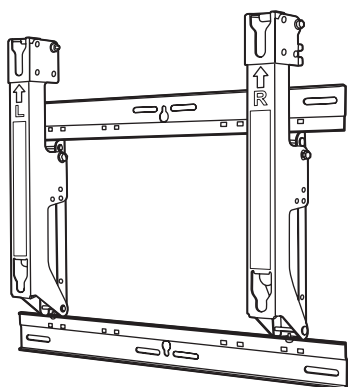
TY-WK4P1RW Wandhalterung (Typ mit einstellbarem Winkel)

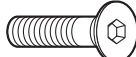
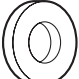

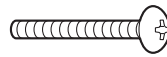


Bauteile der Wandhalterung

<p>① Obere und untere Schiene (2)</p> 	<p>② Linke Schiene (1)</p> 	<p>③ Rechte Schiene (1)</p> 	<p>④ Schrauben M5 x 8 für Zusammenbau der Schienen (4)</p> 
---	--	--	--

Befestigungsteile

Ansicht der Wandhalterung im zusammengebauten Zustand



<p>A Innensechskant-Senkschrauben M8x32 (4)</p> 	<p>D Distanzstücke (4)</p> 
<p>B Zahnscheiben (4)</p> 	<p>E Einheit-Befestigungsschrauben M5 x 50 (2)</p> 
<p>C Isoliermuffen (4)</p> 	<p>F Innensechskantschlüssel (mitgeliefertes Werkzeug) (1)</p> 

Vorsichtsmaßnahmen für das Anbringen der Wandhalterung

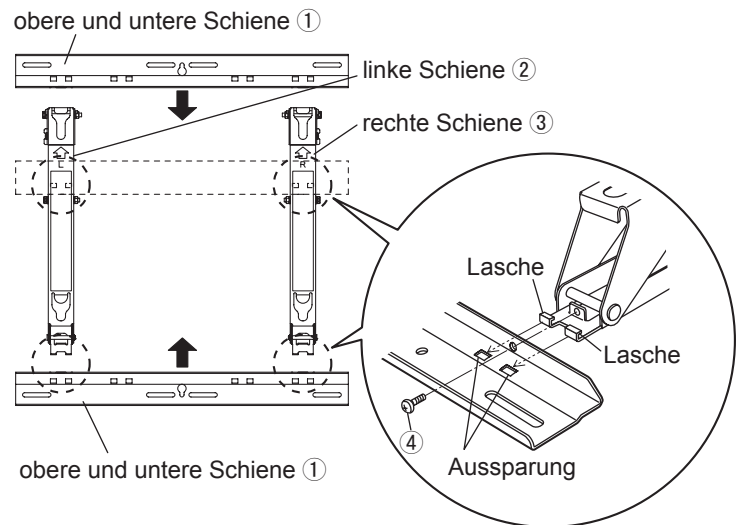
- ◆ Montage und Demontage dürfen nur von einem Fachmann ausgeführt werden.
Bei fehlerhafter Montage oder Demontage kann das Gerät herunterfallen und Verletzungen verursachen.
- ◆ Die Halterung für die Wandbefestigung wird für das Anbringen eines Plasma-Fernsehers an einer vertikalen Wand verwendet. Die Halterung sollte nur für die Befestigung an einer vertikalen Wand verwendet werden.
- ◆ Zur Sicherstellung der richtigen Funktion des Plasma-Fernsehers und zur Vermeidung von Problemen sollte es nicht an den folgenden Orten aufgestellt werden.
 - In der Nähe von Sprinkleranlagen oder Feuer-/Rauchdetektoren.
 - An Orten, an denen Vibrationen oder Stöße auftreten können.
 - In der Nähe von Hochspannungsleitungen oder Stromversorgungsanlagen.
 - Neben Quellen von Magnetismus, Hitze, Wasserdampf und Ruß
 - An Orten, an denen warme Luft von Heizgeräten ausgeblasen wird.
 - An einem Ort, an dem sich Kondenswasser von einer Klimaanlage oder einem anderen Gerät bilden kann.
- ◆ Die Befestigung der Halterung sollte der Struktur und dem Material des Anbringungsortes entsprechen.
- ◆ Verwenden Sie gängige Schrauben mit einem nominalen Durchmesser von 6 mm, die dem Wandmaterial (Holz, Stahlrahmen, Beton usw.) angemessen sind, an dem Sie die Halterung anbringen.
- ◆ Die für den Plasma-Fernseher verwendete Steckdose sollte einfach zu erreichen sein.
- ◆ Stellen Sie einen ausreichenden Luftfluß sicher, damit die Umgebungstemperatur des Gerätes 40 °C nicht übersteigt. Bei Nichtbeachtung kann es zu einem Wärmestau im Plasma-Fernseher kommen, wodurch Fehlfunktionen auftreten können.
- ◆ Breiten Sie eine weiche Decke oder ein Tuch auf dem Boden aus, damit der Plasma-Fernseher und der Boden während des Zusammenbaus und der Aufstellung nicht zerkratzt werden.
- ◆ Achten Sie beim Festschrauben der Teile darauf, dass die Schrauben weder ungenügend noch zu stark festgezogen werden.
- ◆ Achten Sie auf die Sicherheit in Ihrer Umgebung, wenn Sie die Zusammenbau- und Aufstellungsarbeiten durchführen oder sich bei diesen Arbeiten bewegen.
- ◆ Installieren Sie den Plasma-Fernseher auf keinen Fall unterhalb von starken Deckenleuchten (Punktstrahlern, Halogenlampen), die starke Wärme abgeben.
Anderenfalls können sich Kunststoffteile des Gehäuses verziehen oder beschädigt werden.

1. Zusammenbau der Wandhalterung

Legen Sie die obere und die untere Schienen ① sowie die linke ② und die rechte Schiene ③ wie in der Abbildung gezeigt auf eine ebene Unterlage.

Passen Sie die Vorsprünge (Laschen) der linken und rechten Schiene in die Aussparungen (je 2 links und rechts) in der oberen und unteren Schiene ein, und befestigen Sie die Schienen mit den 4 Schrauben ④ für Zusammenbau der Schienen.

(Anzugsmoment: 1.2–1.5 N·m)

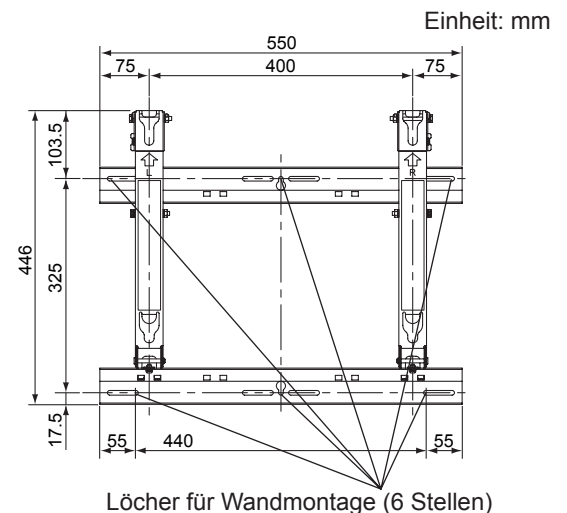


2. Überprüfen der Tragfähigkeit der Installationsstelle

- ① Das Gewicht der Wandhalterung beträgt ca. 3,2 kg. Schlagen Sie in der Bedienungsanleitung des Plasmafernsehers nach, um das Gewicht des Plasmafernsehers zu ermitteln, der an der Wandhalterung befestigt werden soll.
- ② Überprüfen Sie die Stärke der Wand unter Bezugnahme auf die Maßzeichnung rechts an den 6 gezeigten Befestigungsstellen, und sorgen Sie für eine ausreichende Armierung, falls die Stärke der Wand nicht ausreicht.

Hinweise

- An der Oberseite und Unterseite der Wandhalterung sind jeweils 5 Montagelöcher vorgesehen. Verwenden Sie diese Reservelöcher, wenn die Wand aus Holz oder einem anderen Material besteht und bei Verankerung der Wandhalterung an den 6 in der Abbildung rechts gezeigten Stellen keine ausreichende Tragfähigkeit gewährleistet ist. Bitte beachten Sie jedoch, dass sich je nach Werkstoff der Montagefläche Risse in der Oberfläche bilden können, wenn die Schrauben zu nah aneinander verwendet werden.
- Befestigen Sie ausschließlich einen Plasmafernseher an der Wandhalterung: Keinerlei andere Gegenstände dürfen daran montiert werden.
- Einzelheiten zu den Abmessungen nach Montage des Plasmafernsehers sind der Maßzeichnung auf Seite 80-83 zu entnehmen.



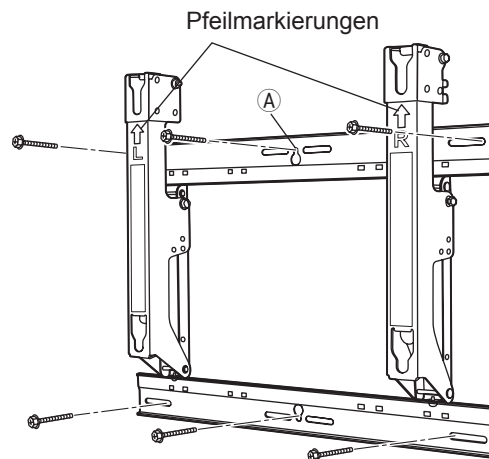
Verwenden Sie unbedingt die Schrauben zur Verankerung der Wandhalterung.

3. Montage der Wandhalterung an der Wand

- ① Montieren Sie die Wandhalterung so an der Wand, dass die Pfeilmarkierungen an der Wandhalterung nach oben weisen.
- ② Befestigen Sie zuerst die Schraube im oberen Mittelloch (A).
- ③ Nivellieren Sie die Wandhalterung unter Verwendung einer Wasserwaage, und befestigen Sie dann die Schrauben in den restlichen 5 Montagelöchern.

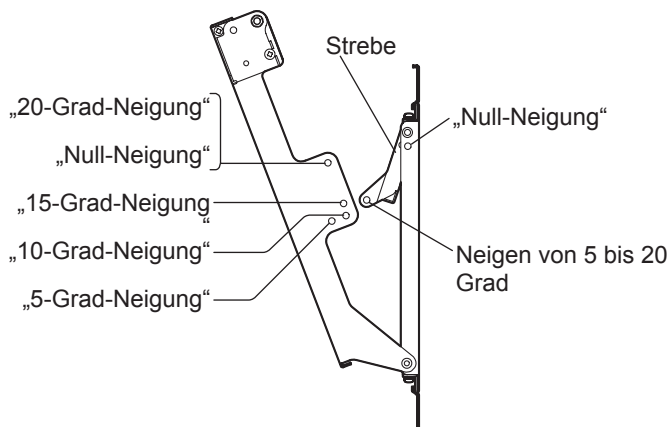
Hinweise

- Falls vor der Montage der Wandhalterung Bolzen oder Muttern in die Wand eingebettet werden müssen, beispielsweise wenn die Wand aus Beton besteht, ermitteln Sie die Positionen der in der Wand anzubringenden Bohrlöcher entweder, indem Sie die zusammengebaute Wandhalterung gegen die Wand halten, oder unter Bezugnahme auf die Maßzeichnung, und betten Sie dann Bolzen oder Muttern mit einem Nenndurchmesser von 6 mm in die Wand ein.
Sorgen Sie beim Einbetten von Bolzen dafür, dass die Bolzenköpfe um 10 bis 15 mm von der Oberfläche der Wand hervorstehen.
- Verwenden Sie im Fachhandel erhältliche Schrauben mit einem Nenndurchmesser von 6 mm, die für den Werkstoff an der Befestigungsstelle geeignet sind, zur Montage der Wandhalterung an der Wand.
- Verankern Sie die Schrauben an mindestens 6 Stellen.

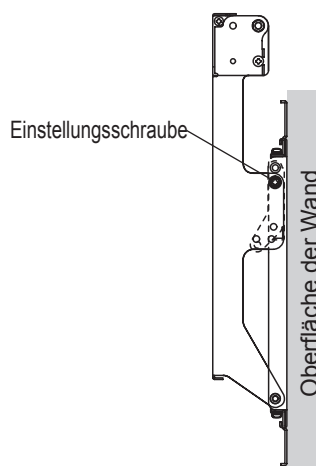


4. Einstellen des Winkels der Wandhalterung.

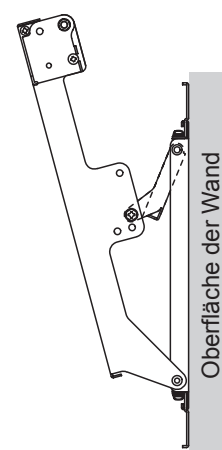
- ① Der Neigungswinkel dieser Wandhalterung kann in 5-Grad-Schritten auf 5 Positionen eingestellt werden, die von „Null-Neigung“ bis zu „20-Grad-Neigung“ reichen.
Bei der Auslieferung der Wandhalterung ist der Winkel auf „Null-Neigung“ eingestellt. Um diesen Winkel zu ändern, entfernen Sie die Einstellungsschrauben, und ändern Sie die Position der Strebe.
(Anzugsmoment: 1.2–1.5 N•m)



Bei Einstellung des Winkels auf „Null-Neigung“



Bei Einstellung des Winkels auf „15-Grad-Neigung“



Hinweis

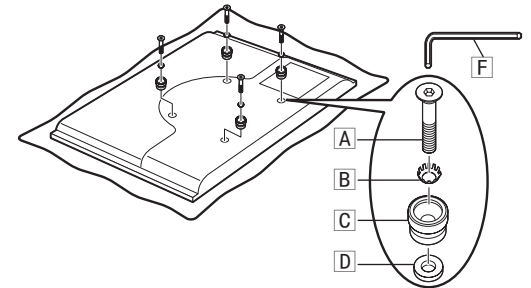
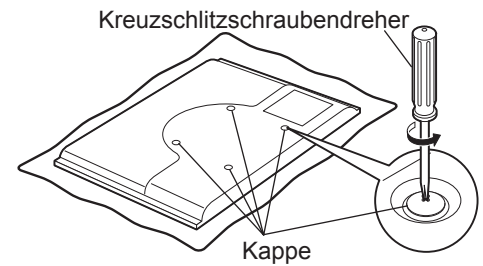
- Bei Verwendung bestimmter Ausführungen von HDMI-Kabeln (RP-CDHG80 oder RP-CDHG100) oder PC-Kabeln kann es vorkommen, dass das Kabel die Wand berührt, wodurch eine Beschädigung der HDMI-Buchse bzw. PC-Eingangsbuchse am Fernseher verursacht werden.
In einem solchen Fall muss der Winkel der Wandhalterung so eingestellt werden, dass kein Druck auf das Kabel ausgeübt wird.

5. Befestigen der Isoliermuffen am Plasmafernseher

- ① Legen Sie den Plasmafernseher mit dem Bildschirm nach unten weisend auf eine saubere Decke oder andere weiche Unterlage, die frei von Schmutz und Fremdkörpern ist, und gehen Sie wie nachstehend beschrieben vor.
Gehen Sie sorgsam vor, wenn der Plasmafernseher hervorstehende Teile besitzt, um Kratzer oder eine andere Beschädigung zu vermeiden.
- ② Entfernen Sie die 4 Kappen mit einem Kreuzschlitzschraubendreher her vom Plasmafernseher.

Hinweis

- Bewahren Sie die entfernten Kappen an einem sicheren Ort auf. (Die Kappen werden bei Verwendung eines separaten Ständers erneut benötigt.)
- ③ Befestigen Sie wie in der Abbildung rechts gezeigt die mitgelieferten Innensechskant-Senkschrauben M8×32 **A**, Zahnscheiben **B**, Isoliermuffen **C** und Distanzstücke **D** (je 4) mit dem mitgelieferten Innensechskantschlüssel **F** an den Stellen, von denen die Kappen entfernt wurden. (Anzugsmoment: 3–4 N·m)

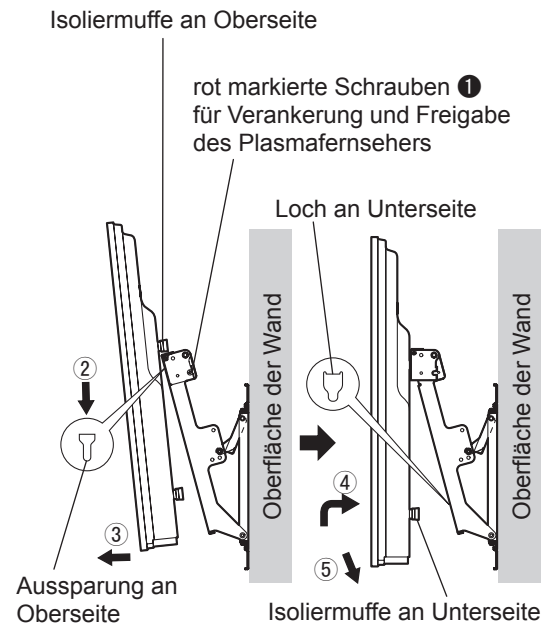


6. Befestigen des Plasmafernsehers an der Wandhalterung und Anschließen anderer Geräte

- ① Entfernen Sie rot markierte Schrauben ❶ (je eine Schraube auf der linken und rechten Seite), die zur Verankerung und Freigabe des Plasmafernsehers verwendet werden.
- ② Passen Sie die Isoliermuffen an der Oberseite des Plasmafernsehers in die Aussparungen an der Oberseite der Wandhalterung ein, und senken Sie den Plasmafernseher ab.
- ③ Ziehen Sie den Plasmafernseher wie in der Abbildung rechts gezeigt nach vorn, und schließen Sie ihn an die anderen Geräte an.
- ④ Nach beendeter Herstellung aller Anschlüsse heben Sie den Plasmafernseher geringfügig an, und passen Sie die Isoliermuffen an der Unterseite in die Löcher in der unteren Schiene der Wandhalterung ein.
- ⑤ Senken Sie den Plasmafernseher dann wieder ab.

ACHTUNG

- Heben Sie den Plasmafernseher nicht zu weit an, da sich sein Oberteil anderenfalls von der Wandhalterung löst.

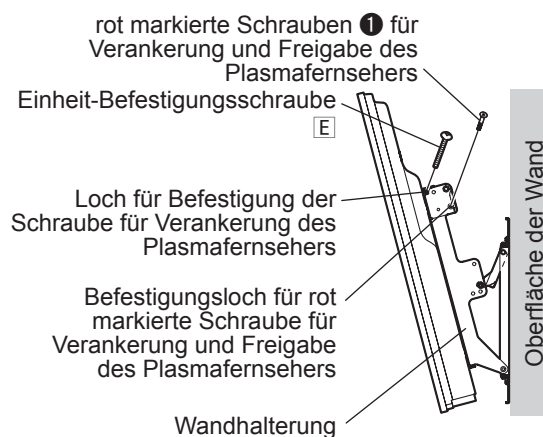


7. Verankern des Plasmafernsehers

- ① Befestigen Sie mitgelieferten Schrauben **E** (2 Stck.) für Verankerung des Plasmafernsehers in den Schraubenlöchern auf der linken und rechten Seite der Wandhalterung, um den Plasmafernseher an der Wandhalterung zu sichern.
- ② Ziehen Sie die rot markierten Schrauben **1** (je eine auf der linken und rechten Seite) für Verankerung und Freigabe des Plasmafernsehers fest an.
(Anzugsmoment: 1,2–1,5 N•m)

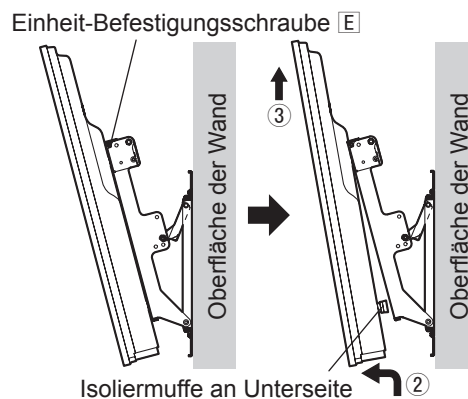
Hinweis

- Um zu verhindern, dass sich der Plasmafernseher von der Wandhalterung löst, müssen die Einheit-Befestigungsschrauben **E** auf der linken und rechten Seite bis zum Aufsitzen fest angezogen werden.



8. Demontage des Plasmafernsehers von der Wandhalterung

- ① Entfernen Sie die Einheit-Befestigungsschrauben **E** (je eine auf der linken und rechten Seite) von der Wandhalterung.
- ② Heben Sie die Unterseite des Plasmafernsehers an, und ziehen Sie ihn dann nach vorn.
- ③ Wenn die Isoliermuffen an der Unterseite freigegeben worden sind, heben Sie den Plasmafernseher senkrecht an.



Veiligheidsmaatregelen

Waarschuwing

Zorg ervoor dat de montageplaats sterk genoeg is voor langdurig gebruik.

- Als na langdurig gebruik de sterkte onvoldoende is, kan het plasmascherm vallen, waardoor letsel kan worden veroorzaakt.

De montage en aansluitingen mogen uitsluitend door een vakkundige installatiemonteur worden uitgevoerd.

- Bij een verkeerde montage kan de apparatuur vallen met letsel tot gevolg.

Neem een bepaalde veiligheidsmarge in acht wanneer u de sterkte van de montagewand bepaalt.

- Als de wand niet sterk genoeg is, kan de apparatuur vallen met letsel tot gevolg.

Bevestig de apparatuur niet op een plaats die het gewicht niet kan dragen.

- Als de montageplaats niet sterk genoeg is, kan de apparatuur vallen met letsel tot gevolg.

Demonteer de muurbevestigingssteun niet en maak geen aanpassingen.

- Het toestel kan anders vallen en beschadigd raken, met mogelijk persoonlijk letsel tot gevolg.

Let op

Bevestig de apparatuur niet op een plaats die blootgesteld staat aan vocht, stof, rook, stoom of hitte.

- Dit kan een nadelige invloed hebben op de plasmatelevisie en kan tevens brand of een elektrische schok veroorzaken.

Gebruik geen andere televisies dan in de catalogus staan aangegeven.

- Als u dat wel doet, bestaat de kans dat het toestel valt en beschadigd wordt, hetgeen tot verwondingen kan leiden.

Voor de montage en het verplaatsen van de plasmatelevisie zijn minimaal twee personen nodig.

- Dit om te voorkomen dat de plasmatelevisie valt en letsel veroorzaakt.

Monteer de plasmatelevisie niet naar boven of naar de zijkant gericht, of ondersteboven.

- Dit kan resulteren in oververhitting van de inwendige onderdelen van de plasmatelevisie met brand tot gevolg.

Houd minimaal 10 cm ruimte vrij aan de boven-, onder- en zijkant van de plasmatelevisie en laat voldoende ruimte vrij tussen het achterpaneel en de muur.

- De plasmatelevisie heeft luchtuitvoergaten aan de bovenkant en luchtinvoergaten aan de onderkant en de achterkant. Afdekking van deze openingen kan resulteren in brand.

Volg de installatiestappen in deze instructies nauwkeurig en installeer de plasmatelevisie op geen enkele andere manier.

- Het toestel kan anders vallen en beschadigd raken, met mogelijk persoonlijk letsel tot gevolg.

Bevestig de bevestigingsschroeven en het netsnoer op zo'n manier dat ze geen contact maken met onderdelen in de muur.

- Bij contact met metalen voorwerpen in de muur kan er sprake zijn van een elektrische schok.

Gebruik voor de installatie de speciaal hiervoor bestemde onderdelen.

- De plasmatelevisie kan anders van de muur vallen, met mogelijk persoonlijk letsel tot gevolg.

Verwijder het product als u het niet langer gebruikt.

- Anders bestaat de kans dat het product valt en letsel veroorzaakt.

Belangrijke opmerkingen betreffende de behandeling

- 1) Ga zorgvuldig te werk wanneer u een plaats uitzoekt voor de plasmatelevisie, want het scherm kan verkleuren of vervormd raken als gevolg van licht of warmte wanneer het in direct zonlicht of in de buurt van een verwarmingsradiator wordt geplaatst.
- 2) Reinig de muurbevestigingssteun door deze schoon te vegen met een zachte droge doek (van katoen, flanel e.d.). Om hardnekkig vuil te verwijderen gebruikt u een sopje van wat neutraal wasmiddel, om daarna de steun goed af te drogen met een droge doek. Gebruik geen benzeen, thinner of meubelwas, aangezien die de deklaag kunnen doen afbladderen.
(Aanwijzingen voor het reinigen van het beeldscherm vindt u in de handleiding van het beeldscherm. Als u een chemisch reinigingsdoekje gebruikt, volgt u de aanwijzingen behorend bij dat doekje.)
- 3) Bevestig geen kleefband of stickers op het product. Deze kunnen de afwerking van de muurbevestigingssteun beschadigen. Voorkom langdurige aanraking met rubber of plastic voorwerpen. (Dergelijke stoffen kunnen de afwerking aantasten.)
- 4) Ga bij de installatie voorzichtig te werk omdat door schokken 'scheuren in het plasmascherm' kunnen ontstaan.

Let op:

Deze steun is alleen bedoeld voor plasma-tv-modellen van Panasonic (zie pagina 80-83).

Bij gebruik in combinatie met andere apparatuur kan de montage onstabiel zijn met mogelijk letsel tot gevolg.

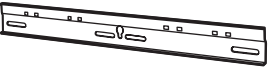
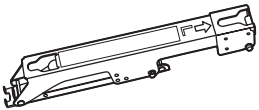
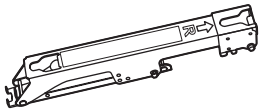
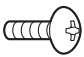
INSTALLATIE DOOR EEN VAKMAN IS VEREIST.

PANASONIC IS NIET AANSPRAKELIJK VOOR EVENTUELE MATERIËLE BESCHADIGINGEN EN/ OF ERNSTIG LETSEL INCLUSIEF FATAAL, ALS GEVOLG VAN ONJUIST INSTALLEREN OF ONJUIST HANTEREN.

TY-WK4P1RW

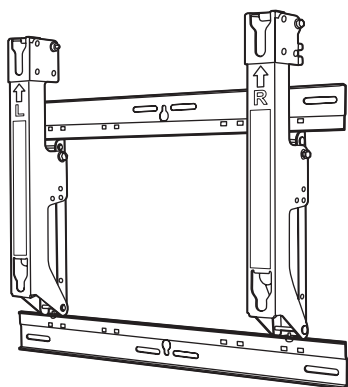
Muurbevestigingssteun (met verstelbare montagehoek)

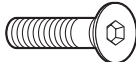
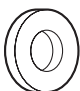

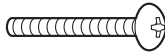
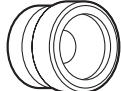

Onderdelen voor montage van de muurbevestigingssteun

<p>① Boven- en onderprofiel (2)</p> 	<p>② Linkersteunprofiel (1)</p> 	<p>③ Rechtersteunprofiel (1)</p> 	<p>④ M5x8-steunmontageschroeven (4)</p> 
---	---	---	---

Onderdelen voor de bevestiging

Gemonteerde steun



<p>A M8x32-inbusbouten met plat verzonken kop (4)</p> 	<p>D Ringetjes (4)</p> 
<p>B Getande veerklemmen (4)</p> 	<p>E M5x50-schermbestijgsschroeven (2)</p> 
<p>C Isolatiebussen (4)</p> 	<p>F Inbussleutel (bijgeleverd gereedschap) (1)</p> 

Voorzorgsmaatregelen betreffende de montage van de muurbevestigingssteun

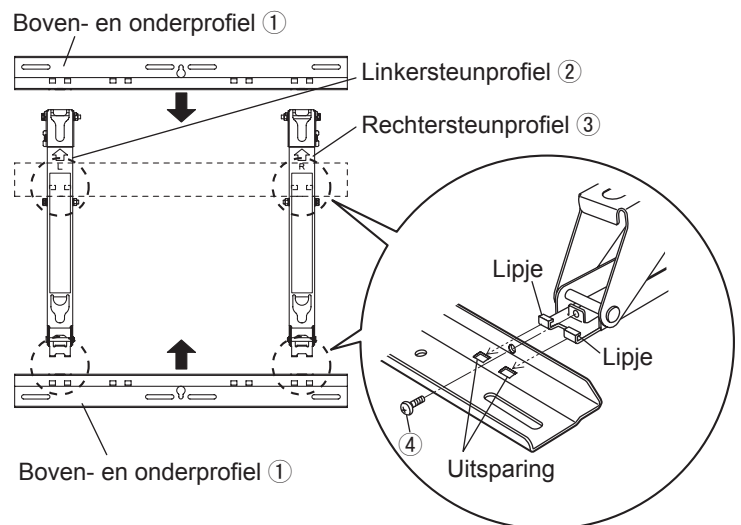
- ◆ De installatie- en verwijderingswerkzaamheden dienen uitsluitend door een deskundige monteur uitgevoerd te worden. Als de bevestigingssteun niet correct wordt geïnstalleerd of verwijderd, bestaat de kans dat het plasmascerm valt en letsel veroorzaakt.
 - ◆ De muurbevestigingssteun wordt gebruikt om de plasmatelevisie aan een verticale muur te hangen. U mag de plasmatelevisie uitsluitend aan een verticale muur hangen.
 - ◆ Om een correcte werking te verkrijgen en storingen te voorkomen, mag u de plasmatelevisie niet op een van de volgende plaatsen ophangen.
 - In de buurt van sprinklerinstallaties of rookmelders.
 - Op plaatsen waar de apparatuur staat blootgesteld aan trillingen of schokken.
 - In de buurt van hoogspanningskabels of dynamische stroombronnen.
 - In de buurt van bronnen die magnetische stralen, hitte, waterdamp of roet afgeven.
 - Op plaatsen die blootgesteld staan aan de warme lucht die door verwarmingsapparatuur wordt afgegeven.
 - Op plaatsen waar zich condensdruppels van een airconditioner of ander apparaat kunnen vormen.
 - ◆ Gebruik de juiste montagematerialen en werkwijzen om de plasmatelevisie te bevestigen.
 - ◆ Gebruik in de handel verkrijgbare schroeven met een nominale diameter van 6 mm, die geschikt zijn voor het wandmateriaal (hout, stalen frame, beton, enz.) waarop u de steun monteert.
 - ◆ Gebruik een gemakkelijk bereikbaar stopcontact voor het aansluiten van het netsnoer van de plasmatelevisie.
 - ◆ Zorg voor een goede luchtcirculatie zodat de omgevingstemperatuur niet hoger wordt dan 40 °C. Indien dit wel gebeurt, kunnen de inwendige onderdelen te heet worden met een defect tot gevolg.
 - ◆ Leg een zachte deken of doek op de vloer zodat de plasmatelevisie en vloer niet worden beschadigd tijdens het monteren en opstellen.
 - ◆ Let er bij het vastdraaien van de schroeven en bouten op dat deze niet te los, maar ook niet te strak worden aangedraaid.
 - ◆ Neem afdoende maatregelen om een veilige werkomgeving rondom u te creëren voor het uitvoeren van de montage- en installatiewerkzaamheden, en om u vrij te kunnen bewegen tijdens deze werkzaamheden.
 - ◆ Installeer de plasmatelevisie niet onder plafondlampen (spotlights, halogeenlampen, enzovoort) die veel warmte afgeven.
- De kunststof onderdelen van de behuizing kunnen anders vervormen of beschadigd raken.

Montageprocedure

[Gebruik alleen de aangegeven installatiemethoden.]

1. De muurbevestigingssteun monteren

Leg het boven- en onderprofiel ① en het linker- en rechtersteunprofiel ② en ③ neer zoals in de afbeelding. Steek de uitsteeksels (lipjes) van het linker- en rechtersteunprofiel in de uitsparingen (2 links en 2 rechts) in het boven- en onderprofiel en zet de onderdelen vast met de vier steunmontageschroeven ④. (Schroefkracht: 1.2 – 1.5 N•m)

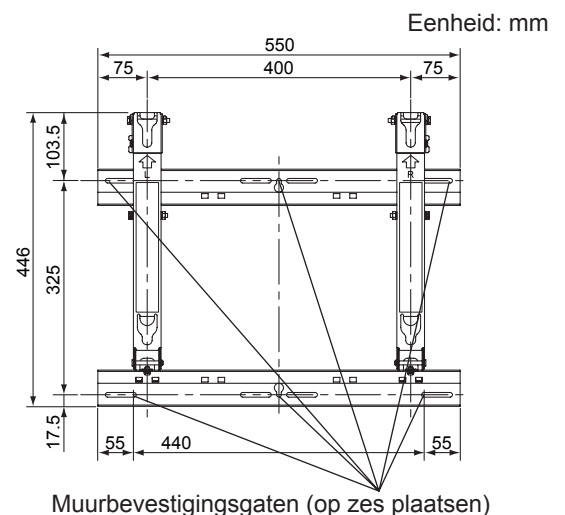


2. De sterkte van de bevestigingspunten controleren

- ① De muurbevestigingssteun weegt ongeveer 3,2 kg. Kijk in de bedieningshandleiding bij het plasmascherm hoe zwaar het scherm is dat u wilt bevestigen aan de steun.
- ② Bekijk de schematische tekening van de muurbevestigingssteun (rechts) en controleer de sterkte van de muur op de zes aangegeven bevestigingspunten. Als de muur niet sterk genoeg is op een van deze punten, moet de muur worden versterkt.

Opmerkingen

- Aan de boven- en onderkant van de muurbevestigingssteun bevinden zich twee maal vijf vorgeboorde bevestigingsgaten. Gebruik de extra gaten als de muur is gemaakt van hout of ander materiaal dat wellicht onvoldoende sterk is voor bevestiging van de steun aan de zes punten die u rechts ziet. Houd er echter rekening mee dat bij sommige muren, afhankelijk van het materiaal van de muur, barsten kunnen optreden als de schroeven te dicht bij elkaar worden aangebracht.
- Bevestig of plaats alleen een plasmascherm en geen ander product op de steun.
- Raadpleeg de schematische tekening op pagina 80-83 voor de precieze bevestigingspunten van het plasmascherm.



Muurbevestigingsgaten (op zes plaatsen)

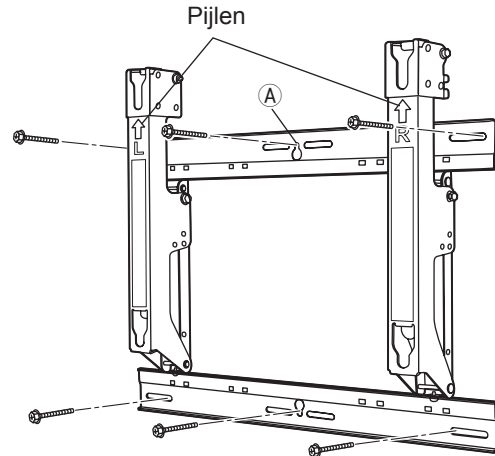
Gebruik alle schroeven om de steun goed te bevestigen.

3. De muurbevestigingssteun bevestigen aan de muur

- 1 Bevestig de muurbevestigingssteun zodanig dat de pijlen op de steun omhoog wijzen.
- 2 Draai eerst de schroef in het gat midden bovenin vast (A).
- 3 Gebruik een waterpas om ervoor te zorgen dat de steun niet schuin hangt en bevestig vervolgens de schroeven in de andere vijf gaten.

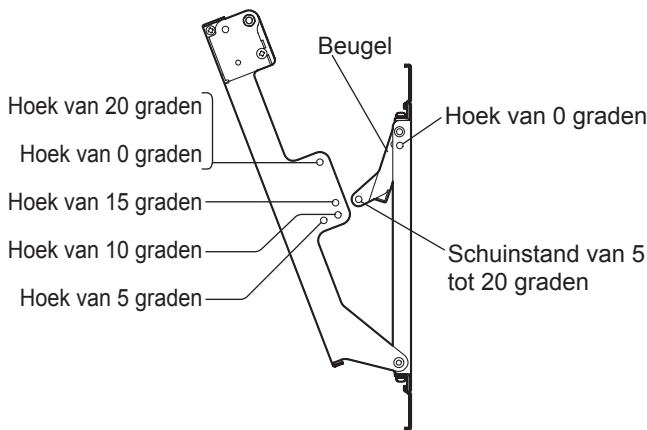
Opmerkingen

- Soms is het noodzakelijk bouten of moeren in de muur aan te brengen voordat u de muurbevestigingssteun kunt bevestigen, bijvoorbeeld omdat de muur van beton is. Bepaal dan waar deze moeten komen door de steun tegen de muur te houden of bereken de plaats op basis van de schematische tekening. Zet vervolgens de bouten of moeren met een nominale diameter van 6 mm (of gelijkwaardig) in de muur vast. Zet bouten zo in de muur vast dat zij 10 tot 15 mm uitsteken.
- Gebruik voor bevestiging van de steun aan de muur bouten met een nominale diameter van 6 mm (of gelijkwaardig), verkrijgbaar bij een ijzerwinkel. Gebruik alleen bouten die geschikt zijn voor het materiaal waarvan de muur is gemaakt.
- Zet de bouten op minimaal zes punten vast.

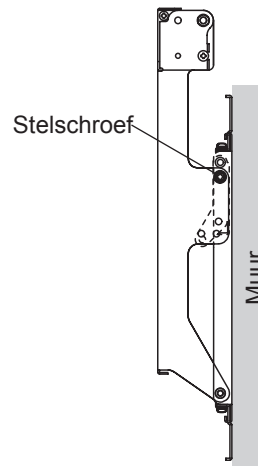


4. De hoek van de muurbevestigingssteun instellen

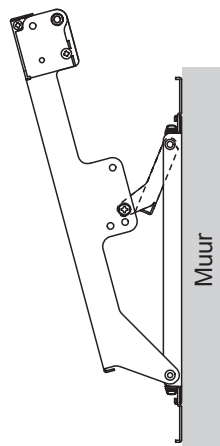
- 1 U kunt de steun instellen op een hoek van 0, 5, 10, 15 of 20 graden. Bij levering is de muurbevestigingssteun ingesteld op een hoek van 0 graden. U kunt een andere hoek kiezen door de stelschroeven te verwijderen en de positie van de beugel te wijzigen. (Schroefkracht: 1.2 – 1.5 N·m)



Bij een hoek van 0 graden



Bij een hoek van 15 graden



Opmerking

- Bij sommige typen HDMI-kabels (RP-CDHG80 of RP-CDHG100) of PC-kabels, kan de kabel de wand raken en schade toebrengen aan de HDMI-aansluiting of de PC-ingangsaansluiting op het televisietoestel. In dat geval dient u de hoek van de muurbevestigingssteun zo bij te stellen dat er geen gewicht aan de kabel komt te hangen.

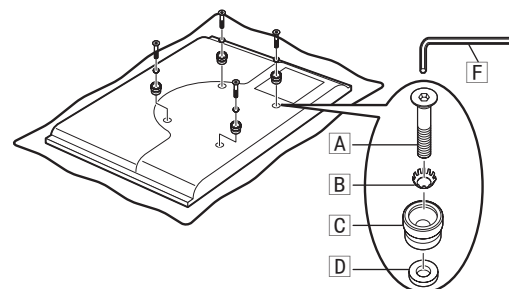
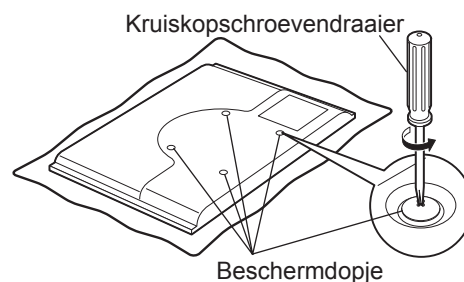
5. De isolatiebussen bevestigen op het plasmасhерm

- ① Leg het plasmасhерm met het scherm naar beneden op een schone deken of zachte ondergrond zonder scherpe voorwerpen en volg de onderstaande aanwijzingen.
Wees voorzichtig, om krassen of andere schade door eventuele uitstekende delen van het plasmасhерm te voorkomen.
- ② Verwijder met een kruiskopschroevendraaier de beschermdopjes (4) van het plasmасhерm.

Opmerking

- Bewaar de verwijderde beschermdopjes op een veilige plaats.
(U hebt ze weer nodig als u een aparte montagestandaard gebruikt.)

- ③ Bevestig met de bijgeleverde inbusleutel **F** de bijgeleverde M8×32-inbusbouten met plat verzonken kop **A**, getande veerklemmen **B**, isolatiebussen **C** en ringetjes **D** (ieder 4 x) op de punten waar voorheen de beschermdopjes zaten.
(Schroefkracht: 3 - 4 N·m)

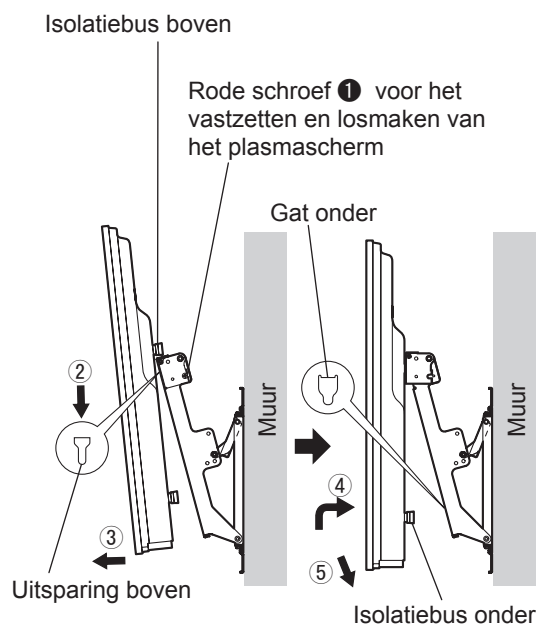


6. Het plasmасhерm aan de muurbevestigingssteun bevestigen en aansluiten op de andere componenten

- ① Verwijder de rode schroeven ❶ (één links en één rechts) waarmee het plasmасhерm wordt vastgezet en losgemaakt.
- ② Steek de bovenste isolatiebussen van het plasmасhерm in de uitsparingen aan de bovenkant van de muurbevestigingssteun en laat het plasmасhерm iets zakken.
- ③ Trek het plasmасhерm naar u toe (zie de afbeelding rechts) en sluit het aan op de andere componenten.
- ④ Til het plasmасhерm enigszins op als de aansluitingen zijn voltooid en steek de onderste isolatiebussen in de gaten onder in de muurbevestigingssteun.
- ⑤ Laat het plasmасhерm vervolgens weer iets zakken.

LET OP

- Als u het plasmасhерm te ver optilt, raakt de bovenkant los van de muurbevestigingssteun.



7. Het plasmascherm vastzetten

- ① Steek de bijgeleverde schermbevestigingsschroeven **E** (2) in de schroefgaten aan de zijkant (links en rechts) van de muurbevestigingssteun om het scherm vast te zetten.
- ② Draai de rode linker- en rechterschroef **1** (één links en één rechts) waarmee het plasmascherm wordt vastgezet en losgemaakt, goed vast in de bijbehorende rode schroefgaten aan de zijkant van de muurbevestigingssteun.
(Schoefkracht: 1,2 - 1,5 N•m)

Opmerking

- Om te voorkomen dat het plasmascherm vrijkomt van de muurbevestigingssteun, dient u de schermbevestigingsschroeven **E** helemaal vast te schroeven (links en rechts).

Rode schroef **1** voor het vastzetten en losmaken van het plasmascherm
Schermbevestigingsschroef **E**

Gat voor de schroef waarmee het plasmascherm wordt vastgezet

Gat voor rode schroef waarmee het plasmascherm wordt vastgezet en losgemaakt

Muurbevestigingssteun

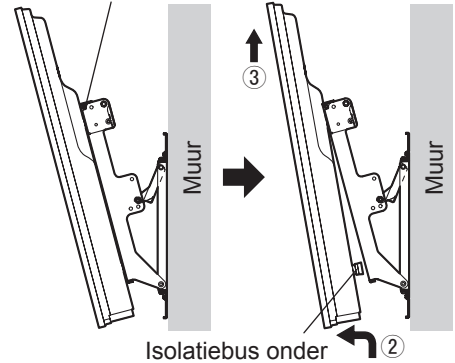
Muur

Nederlands

8. Het plasmascherm verwijderen van de muurbevestigingssteun

- ① Verwijder de schermbevestigingsschroeven **E** (één links en één rechts) aan de zijkant van de muurbevestigingssteun.
- ② Til het onderste deel van het plasmascherm op en trek het scherm naar u toe.
- ③ Til het plasmascherm recht omhoog zodra de onderste isolatiebussen vrij zijn.

Schermbevestigingsschroef **E**



Precauzioni di sicurezza

Attenzione

Accertarsi che il luogo di installazione sia sufficientemente robusto da sopportare l'utilizzo a lungo termine

- Se esso si indebolisce nel corso dell'utilizzo a lungo termine, l'apparecchio potrebbe cadere causando un infortunio.

Le operazioni di montaggio e il collegamento di ulteriori apparecchi per l'espansione del sistema non devono mai essere effettuate da persone che non siano tecnici adeguatamente qualificati.

- Un montaggio non corretto può comportare la caduta dell'apparecchio, con conseguenti possibili lesioni personali.

Nel calcolo della forza del luogo prescelto per il montaggio tener sempre conto di un fattore di sicurezza aggiuntivo.

- In caso di forza insufficiente l'apparecchio potrebbe cadere, con conseguenti possibili lesioni personali.

Non procedere al montaggio in un luogo che non sia in grado di sostenere il peso dell'apparecchio.

- Se il luogo di montaggio non è sufficientemente robusto, l'apparecchio può cadere.

Non smontare o modificare la staffa per montaggio alla parete.

- L'unità potrebbe altrimenti cadere danneggiandosi, e potrebbe causare incidenti alle persone.

Avvertenza

Non montare l'apparecchio in luoghi esposti a umidità, polvere, fumo, vapore o eccessivo calore.

- Tali condizioni possono influenzare negativamente il televisore al plasma o addirittura causare incendi o folgorazioni.

Non utilizzare televisori diversi da quelli indicati nel catalogo.

- In caso contrario l'apparecchio può cadere, con conseguenti possibili danni all'apparecchio stesso e lesioni alle persone.

Il lavoro di montaggio o smontaggio del televisore al plasma deve essere effettuato da almeno due persone.

- Il televisore al plasma è molto pesante e una sua eventuale caduta può causare lesioni personali.

Non montare l'apparecchio rivolto verso l'alto, inclinato, o al contrario.

- Tali posizioni possono causare un eccessivo aumento di calore all'interno del televisore al plasma, con conseguenti possibili principi di incendi.

Lasciare intorno al televisore uno spazio di almeno 10 cm sui lati superiore, inferiore, destro e sinistro, lasciare una distanza tra il pannello posteriore e la parete.

- Sul televisore al plasma sono ubicate delle aperture di espulsione dell'aria calda sul lato superiore e di aspirazione dell'aria circostante sul lato inferiore e sul retro.

Installare il televisore al plasma procedendo soltanto con i passi specificati in queste istruzioni. Non installarlo in alcun altro modo.

- L'unità potrebbe altrimenti cadere danneggiandosi, e potrebbe causare incidenti alle persone.

Installare le viti di montaggio e il cavo di alimentazione in modo che non facciano contatto con le parti interne della parete.

- Il contatto con un qualsiasi oggetto metallico all'interno della parete potrebbe causare scosse elettriche.

Per l'installazione, usare le parti costituenti di uso speciale.

- In caso contrario, il televisore al plasma potrebbe cadere dalla parete causando possibili incidenti.

Rimuovere il prodotto che non si ha più intenzione di usare.

- In caso contrario, potrebbe cadere e causare un incidente.

Trattamento e manipolazione

- 1) Scegliere con attenzione il luogo in cui si intende montare il televisore, perché una diretta esposizione ai raggi solari può causare lo scolorimento della superficie del televisore, mentre il calore che emana da apparecchi di riscaldamento comporta la possibile deformazione della cassa del televisore.
- 2) Pulire la staffa di montaggio su parete con un panno morbido e asciutto (di cotone o flanella). Se la staffa è molto sporca, togliere lo sporco con un detersivo neutro diluito con acqua, e asciugare poi con un panno asciutto. Non si devono usare benzolo, solventi o cera per mobili, perché potrebbero rovinare la vernice di rivestimento. (Per le informazioni sul modo di pulire lo schermo, vedere il manuale di istruzioni dello schermo. Se si usa un panno trattato chimicamente, seguire le istruzioni che lo accompagnano.)
- 3) Non applicare nastri adesivi o etichette al televisore. Tali prodotti possono causare delle macchie sulla superficie della staffa di montaggio, o sulla superficie del dispositivo di copertura dei cavi per l'installazione alla parete. Evitare il contatto per lunghi periodi di tempo con la gomma, prodotti di vinile o simili. (Ciò causa un deterioramento.)
- 4) Prestare attenzione durante l'installazione perché le scosse possono causare 'fessure al pannello' del televisore al plasma.

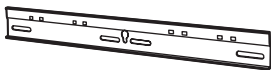
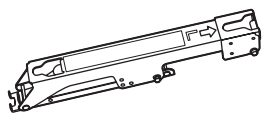
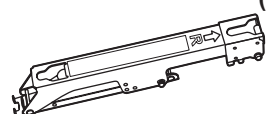
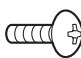
Attenzione:

Questa staffa è progettata soltanto per i televisori al plasma Panasonic (vedere a pagine 80-83).
L'uso con altri apparecchi potrebbe provocare instabilità ed eventuali lesioni personali.

**È NECESSARIA L'INSTALLAZIONE PROFESSIONALE.
PANASONIC NON È RESPONSABILE PER QUALSIASI DANNO DI PROPRIETÀ E/O GRAVE INFORTUNIO,
COMPRESA LA MORTE, CAUSATI DALL'INSTALLAZIONE SBAGLIATA O DAL MANEGGIAMENTO SCORRETTO.**

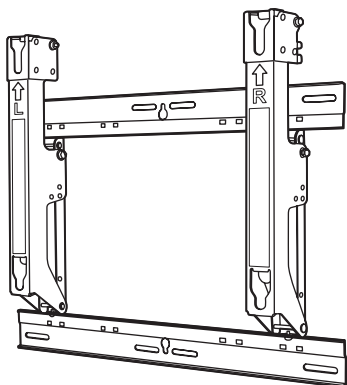
TY-WK4P1RW Staffa di montaggio alla parete (con angolazione regolabile)

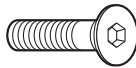
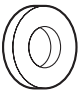

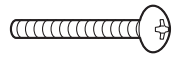


Parti usate per l'assemblaggio della staffa di montaggio su parete

<p>① Raccordi superiore e inferiore base (2)</p> 	<p>② Raccordo sinistro base staffa (1)</p> 	<p>③ Raccordo destro base staffa (1)</p> 	<p>④ Viti M5x8 di assemblaggio attrezzatura (4)</p> 
--	--	---	---

Parti usate per l'installazione

Veduta dell'attrezzatura interamente montata



<p>A Viti esagonali a testa conica M8x32 (4)</p> 	<p>D Distanziatori (4)</p> 
<p>B Rondelle dentate concave (4)</p> 	<p>E Viti di fissaggio unità M5x50 (2)</p> 
<p>C Distanziatori isolanti (4)</p> 	<p>F Chiave per brugole (attrezzo in dotazione) (1)</p> 

Precauzioni per il montaggio della staffa alla parete

- ◆ Il lavoro di installazione e di rimozione deve essere eseguito soltanto da un tecnico qualificato. Se si installa o rimuove l'unità in modo sbagliato, il televisore potrebbe cadere causando un incidente.
- ◆ La staffa per il montaggio alla parete serve ad applicare il televisore al plasma ad una parete verticale per facilitarne la visione. Non montare l'apparecchio su pareti che non siano verticali.
- ◆ Per garantire un corretto funzionamento del televisore al plasma e prevenire possibili complicazioni, evitare di montare l'apparecchio nei luoghi seguenti:
 - nelle vicinanze di polverizzatori di acqua antincendio, o di rivelatori di fumo;
 - in luoghi che possano trovarsi sottoposti a vibrazioni o urti;
 - nelle vicinanze di cavi ad alta tensione o di dispositivi che forniscono energia elettrica;
 - vicino a sorgenti magnetiche, calde, di vapore acqueo o fuliginose;
 - in luoghi esposti a getti d'aria provenienti da apparecchi di riscaldamento;
 - dove si potrebbero formare gocce di condensa da un climatizzatore o altra unità.
- ◆ Procedere al montaggio usando le opportune tecniche adatte alla struttura ed al materiale della parete sulla quale si effettua il montaggio.
- ◆ Per il montaggio della staffa alla parete, usare viti di con un diametro nominale di 6 mm, disponibili in commercio e adatte al materiale della parete (legno, struttura in acciaio, cemento, ecc.).
- ◆ Collegare il cavo di alimentazione del televisore al plasma ad una presa di corrente alternata di rete facilmente accessibile.
- ◆ Fornire una ventilazione adeguata, in modo che la temperatura dell'ambiente nel quale si trova ubicato l'apparecchio non superi i 40 °C. In caso contrario l'interno dell'apparecchio potrebbe surriscaldarsi, con conseguenti possibili disfunzioni.
- ◆ Stendere una coperta o panno morbidi sul pavimento in modo che il televisore al plasma e il pavimento non rimangano segnati o graffiati durante il lavoro di montaggio e di installazione.
- ◆ Avvitando le parti, accertarsi che le viti non siano insufficientemente strette o strette eccessivamente.
- ◆ Fare attenzione alla sicurezza intorno quando si esegue il lavoro di montaggio e di installazione, o spostandosi durante il lavoro.
- ◆ Non installare il televisore al plasma sotto le lampade del soffitto (faretti, lampade alogene, ecc.). In caso contrario, il suo mobile potrebbe essere deformato o danneggiato dal calore.

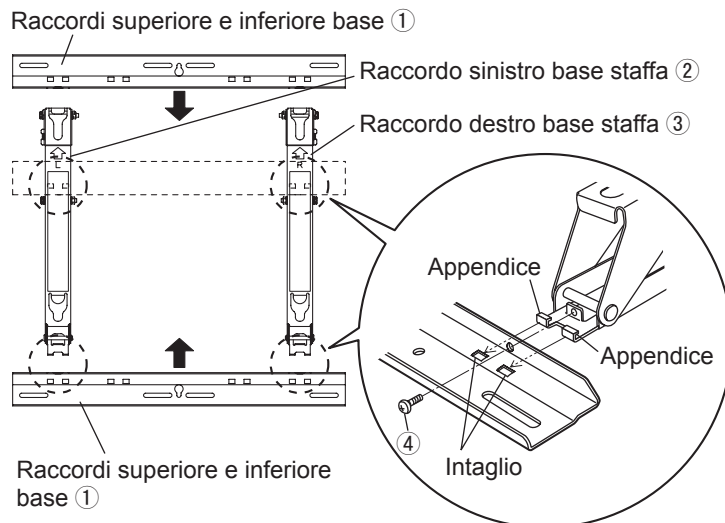
Procedura di montaggio

[Non si deve usare alcun altro metodo diverso da quello specificato.]

1. Assemblaggio della staffa di montaggio su parete

Disporre i raccordi superiore e inferiore della base ① e i raccordi sinistro e destro ② e ③ della base staffa come mostrato nella illustrazione.

Inserire le sporgenze (appendici) dei raccordi destro e sinistro base staffa negli intagli (2 a destra e 2 a sinistra) nei raccordi superiore e inferiore base, e fissare le parti usando le quattro viti ④ di assemblaggio attrezzatura. (Coppia di serraggio: da 1.2 a 1.5 N·m)

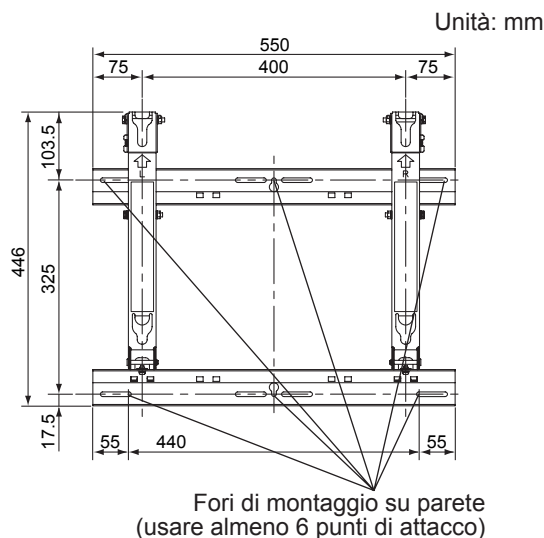


2. Controllo della forza del luogo di installazione

- ① La staffa di montaggio su parete pesa circa 3,2 kg. Vedere il manuale di istruzioni dello schermo al plasma e controllare il peso dello schermo al plasma da installare sulla staffa di montaggio su parete.
- ② Vedere il disegno del profilo della staffa di montaggio su parete mostrato a destra e controllare la forza della parete sulle sei posizioni di installazione mostrate. Se la forza in una qualsiasi di queste posizioni è insufficiente, provvedere un rinforzo sufficiente.

Note

- Ci sono cinque fori di montaggio sulla parte superiore e altri cinque sulla parte inferiore della staffa di montaggio su parete. Usare i fori di riserva forniti se per la parete viene usato legno o altro materiale e non si può assicurare un livello sufficiente di forza di montaggio fissando l'attrezzatura sulle sei posizioni mostrate a destra. Tenere però presente che, a seconda del materiale che compone la superficie di montaggio, su di essa si potrebbero formare delle crepe se si usano le viti su posizioni che sono troppo vicine tra di loro.
- Montare o sistemare soltanto uno schermo al plasma sull'attrezzatura. Non montare o sistemare alcun altro prodotto.
- Per i dettagli sulle dimensioni applicabili quando si monta lo schermo al plasma, vedere il disegno del profilo (a pagina 80-83).



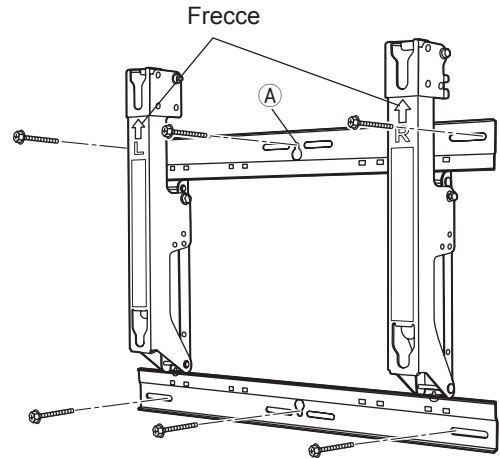
Bisogna assolutamente usare le viti per fissare l'attrezzatura.

3. Installazione sulla parete della staffa di montaggio su parete

- ① Installare la staffa di montaggio su parete in modo che le frecce indicate su di essa siano rivolte in alto.
- ② Fissare prima di tutto la vite del foro centrale (A).
- ③ Usare una livella per accertarsi che l'attrezzatura non sia inclinata su di un lato, e fissare poi le viti nei cinque fori restanti.

Note

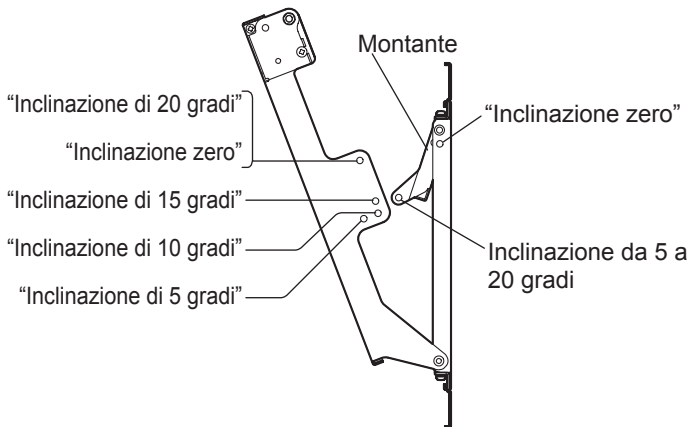
- Se prima dell'installazione della staffa di montaggio su parete è necessario incorporare bulloni o dadi perché la parete è, per esempio, di cemento, determinare la posizione dei fori mettendo in posizione sulla parete l'attrezzatura di montaggio su parete, oppure calcolare la posizione dei fori dal disegno del profilo, e incorporare poi i bulloni e i dadi con un diametro nominale di 6 mm o equivalente.
Quando si incorporano i bulloni, accertarsi che la loro testa sporga di 10 o 15 mm dalla superficie della parete.
- Per l'installazione sulla parete della staffa di montaggio su parete, usare viti con un diametro nominale di 6 mm o equivalente, da acquistare in un negozio di ferramenta, adatte al materiale dell'area di installazione sulla parete.
- Fissare le viti in almeno sei posizioni.



4. Regolazione dell'angolo della staffa di montaggio su parete.

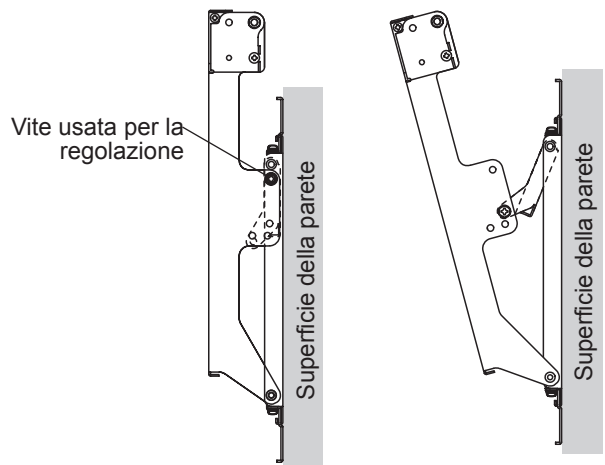
- ① L'angolo di questa attrezzatura di montaggio su parete può essere regolato in incrementi di 5 gradi su una di cinque posizioni, da "inclinazione zero" a "inclinazione di 20 gradi".
Quando la staffa di montaggio su parete è spedita dallo stabilimento di fabbricazione, l'angolo viene regolato a "inclinazione zero". Per cambiare questo angolo, togliere le viti usate per la regolazione e cambiare la posizione del montante.

(Coppia di serraggio: da 1.2 a 1.5 N·m)



Se l'angolo è regolato a "Inclinazione zero"

Se l'angolo viene regolato a "inclinazione di 15 gradi"



Nota

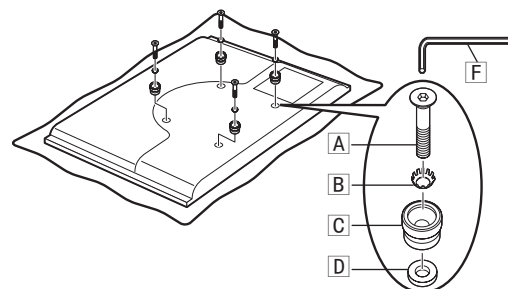
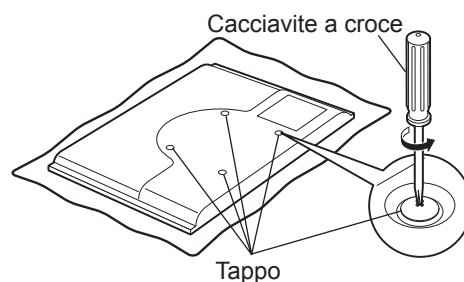
- Usando alcuni tipi di cavi HDMI (RP-CDHG80 o RP-CDHG100) o cavi PC, il cavo potrebbe toccare la parete e danneggiare il terminale HDMI o il terminale di ingresso PC del televisore.
In tal caso, regolare l'angolo della staffa di montaggio alla parete, in modo che il cavo non debba sopportare un peso.

5. Installazione dei distanziatori isolanti sullo schermo al plasma

- ① Mettere lo schermo al plasma a faccia in giù su una coperta pulita o altro tessuto esente da sporco e sostanze estranee, e procedere come indicato sotto. Fare attenzione ai graffi o danni se lo schermo al plasma ha parti sporgenti.
- ② Usare un cacciavite con testa a croce per togliere i tappi (x4) dallo schermo al plasma.

Nota

- Conservare in un luogo sicuro i tappi rimossi. (Essi sono necessari se si usa un supporto di installazione separato.)
- ③ Come mostrato nella illustrazione a destra, installare le viti esagonali a testa conica M8x32 **A**, le rondelle dentate concave **B**, i distanziatori isolanti **C** e i distanziatori **D** (4 per ciascuna parte) in dotazione, usando il cacciavite con testa a croce incluso **F**, sulle posizioni in cui erano precedentemente installati i tappi. (Coppia di serraggio: da 3 a 4 N•m)

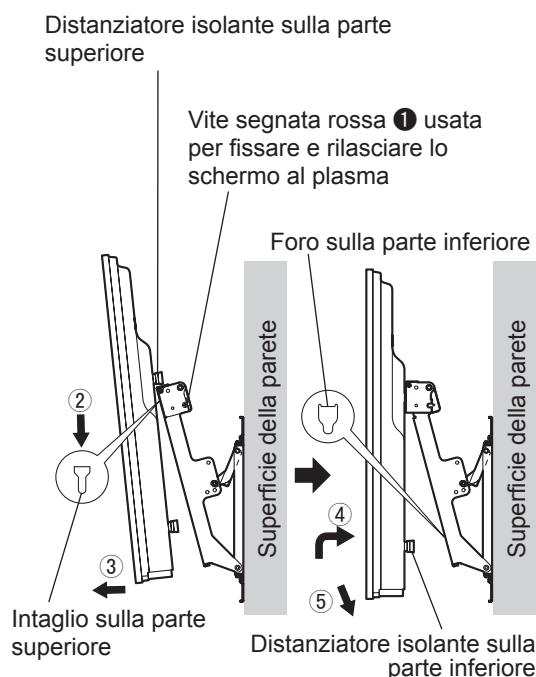


6. Montaggio dello schermo al plasma sulla staffa di montaggio su parete e suo collegamento ad altri componenti

- ① Togliere le viti segnate rosse destra e sinistra **1** (una a destra e una a sinistra) usate per fissare e rilasciare lo schermo al plasma.
- ② Inserire i distanziatori isolanti sulla parte superiore dello schermo al plasma negli intagli sulla parte superiore della staffa di montaggio su parete, e abbassare lo schermo al plasma.
- ③ Tirare lo schermo al plasma verso di sé, come mostrato nella illustrazione a destra, e collegarlo agli altri componenti.
- ④ Dopo aver completato i collegamenti, sollevare leggermente lo schermo al plasma e inserire i distanziatori isolanti della parte inferiore nei fori sulla parte inferiore della staffa di montaggio su parete.
- ⑤ Abbassare ora lo schermo al plasma.

PRECAUZIONE

- Se si solleva troppo lo schermo al plasma, la sua parte superiore si stacca dalla staffa di montaggio su parete.

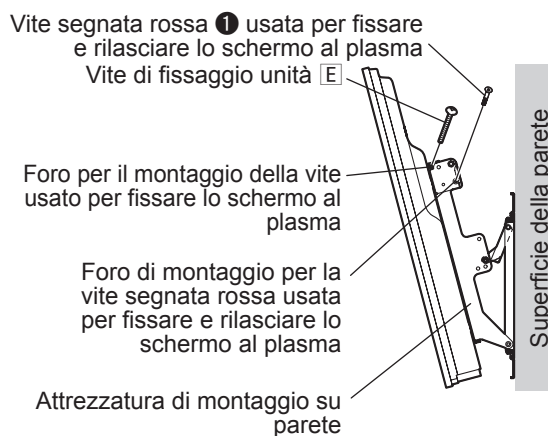


7. Fissaggio dello schermo al plasma

- ① Installare le viti **E** (2) di fissaggio dello schermo al plasma accessorie nei fori di montaggio delle viti sui lati (destro e sinistro) della staffa di montaggio su parete usata per fissare lo schermo al plasma.
- ② Stringere saldamente le viti destra e sinistra segnate rosse **1** (una a destra e una a sinistra) usate per fissare e rilasciare lo schermo al plasma nei fori di montaggio viti segnati rossi sul lato della staffa di montaggio su parete usati per fissare e rilasciare lo schermo al plasma.
(Coppia di serraggio: da 1.2 a 1.5 N·m)

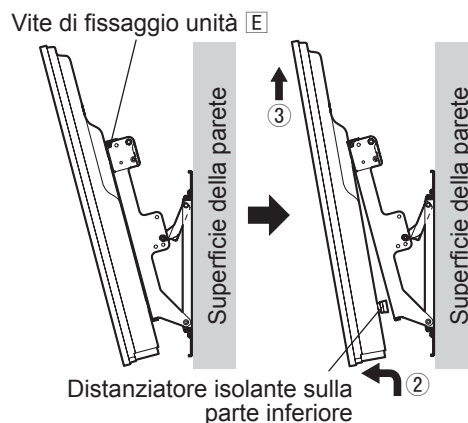
Nota

- Per evitare che lo schermo al plasma si stacchi dalla staffa di montaggio su parete, le viti di fissaggio dell'unità **E** devono essere strette saldamente a destra e a sinistra fino alla loro base.



8. Modo di rimuovere lo schermo al plasma dalla staffa di montaggio su parete

- ① Rimuovere le viti di fissaggio unità **E** (una a destra e una a sinistra) installate sui lati della staffa di montaggio su parete.
- ② Sollevare la parte inferiore dello schermo al plasma e tirare lo schermo al plasma verso di sé.
- ③ Quando i distanziatori isolanti sulla parte inferiore sono rilasciati, sollevare su diritto lo schermo al plasma.



Précautions de sécurité

Avertissement

Assurez-vous que l'emplacement d'installation est assez résistant pour supporter une utilisation à long terme.

- Si sa force devient insuffisante suite à une utilisation à long terme, l'écran risque de tomber, ce qui pourrait entraîner des blessures.

Les opérations de montage et de raccordement ne doivent être réalisés que par un technicien d'installation compétent.

- Un montage incorrect peut provoquer la chute de l'appareil et partant une blessure.

Prenez une marge de sécurité lorsque vous évaluez la solidité de l'emplacement où l'appareil doit être monté.

- Si la solidité est insuffisante, l'appareil peut tomber et provoquer une blessure.

Ne choisissez pas un emplacement d'installation qui ne soit pas à même de supporter la charge.

- Si l'emplacement d'installation n'est pas assez solide, l'appareil peut tomber.

Ne démontez pas ni ne modifiez l'applique de fixation au mur.

- Sinon, l'écran pourrait se décrocher du mur, ce qui pourrait causer des blessures.

Précaution

Ne choisissez pas un emplacement d'installation qui soit soumis à l'humidité, à la poussière, à la fumée, à la vapeur, à la chaleur.

- Cela pourrait avoir un effet néfaste sur le téléviseur à plasma et être à l'origine d'un incendie ou d'une secousse électrique.

N'utilisez pas d'autres téléviseurs que ceux mentionnés dans le catalogue.

- Sinon, l'appareil pourrait se décrocher et être abîmé, ce qui pourrait causer des blessures.

Les opérations de pose et de dépose du téléviseur à plasma doivent être réalisées par au moins deux personnes.

- Dans le cas contraire, le téléviseur à plasma pourrait tomber et provoquer une blessure.

Ne montez pas l'appareil face tournée vers le haut, sur le côté ou à l'envers.

- Dans ces positions, la chaleur pourrait s'accumuler à l'intérieur du téléviseur à plasma, ce qui pourrait être à l'origine d'un incendie.

Veillez à ménager autour du téléviseur à plasma un espace d'au moins 10 cm en haut et sur le côté droit, d'au moins 10 cm sur le côté gauche, d'au moins 10 cm dessous, laissez un espace libre entre le panneau arrière et le mur.

- Le téléviseur à plasma possède des ouïes pour l'évacuation de la chaleur à la partie supérieure et d'autres ouïes pour l'entrée d'air à la partie inférieure et à l'arrière. Ne les obstruez pas car cela pourrait être à l'origine d'un incendie.

Installez le téléviseur à plasma en suivant uniquement les étapes indiquées dans ces instructions : ne l'installez pas d'une autre façon.

- Sinon, l'écran pourrait se décrocher du mur, ce qui pourrait causer des blessures.

Installez les vis de montage et le cordon d'alimentation de telle façon qu'ils n'entrent pas en contact avec les parties internes du mur.

- Une électrocution pourrait résulter du contact avec des objets métalliques dans le mur.

Pour l'installation, utilisez les composants spécialisés.

- Sinon, le téléviseur à plasma pourrait se décrocher du mur, ce qui pourrait causer des blessures.

Retirez le produit si vous prévoyez ne plus l'utiliser.

- Autrement le produit risque de tomber et de causer des blessures.

Précautions d'installation

- 1) Choisissez l'emplacement d'installation du téléviseur de sorte qu'il ne soit pas exposé à la lumière vive ni à la chaleur car cela peut le décolorer ou le déformer, en particulier dans le cas de la lumière du soleil ou de la chaleur d'un appareil de chauffage.
- 2) Nettoyez l'applique de suspension au mur en l'essuyant avec un chiffon doux et sec (en coton ou en flanelle, par exemple.) Si l'applique est très sale, frottez-la avec un détergent neutre dilué dans l'eau, puis essuyez-la avec un chiffon sec. N'utilisez pas de benzène, diluant ou cire pour meuble sous peine d'écailler le revêtement. (Pour en savoir plus sur le nettoyage de l'écran, voir le mode d'emploi de l'écran. Si vous utilisez un chiffon traité chimiquement, suivez les instructions qui l'accompagnent.)
- 3) Ne posez aucun ruban adhésif ni aucun autocollant sur l'appareil. L'un comme l'autre peuvent tacher l'applique de fixation au mur. Évitez le contact prolongé avec des produits de caoutchouc, de vinyle, etc. (Cela peut abîmer le support.)
- 4) Procédez avec précaution pendant l'installation, car des chocs pourraient faire 'fissurer le panneau' du téléviseur à plasma.

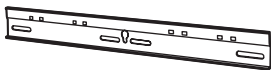
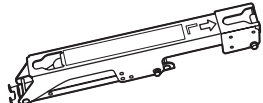
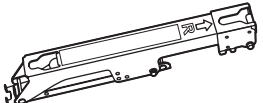
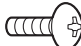
Attention :

Cette applique est conçue exclusivement pour les modèles de téléviseur à écran plasma Panasonic (voir page 80-83). Utilisée avec un autre appareil, elle peut se révéler tout à fait inappropriée et être la cause indirecte de blessures.

L'INSTALLATION PAR UN PROFESSIONNEL EST INDISPENSABLE.
PANASONIC DECLINE TOUT DOMMAGE MATERIEL ET/OU BLESSURE GRAVE, Y COMPRIS LA MORT RESULTANT D'UNE INSTALLATION OU D'UNE MANIPULATION INCORRECTE.

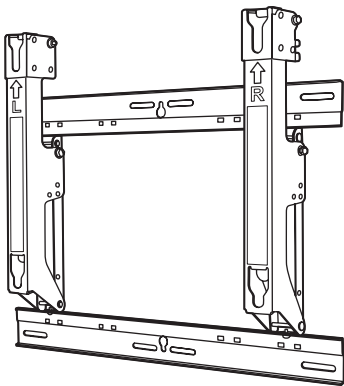
TY-WK4P1RW Applique de fixation au mur (Type à angle réglable)

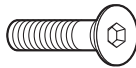
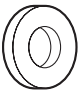

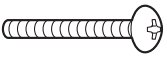


Pièces utilisées pour monter l'applique de fixation au mur

<p>① Fixations supérieure et inférieure de la base (2)</p> 	<p>② Fixation gauche de la base de l'applique (1)</p> 	<p>③ Fixation droite de la base de l'applique (1)</p> 	<p>④ Vis M5x8 pour le montage du dispositif de fixation (4)</p> 
--	---	--	---

Pièces utilisées pour l'installation

Vue du dispositif de fixation entièrement monté



<p>A Vis M8x32 à tête fraisée à six pans creux (4)</p> 	<p>D Rondelles d'espacement (4)</p> 
<p>B Rondelles cuvettes dentées (4)</p> 	<p>E Vis de serrage M5x50 de l'appareil (2)</p> 
<p>C Rondelles isolantes (4)</p> 	<p>F Clé hexagonale (outil fourni) (1)</p> 

Précautions relatives à l'applique de fixation au mur

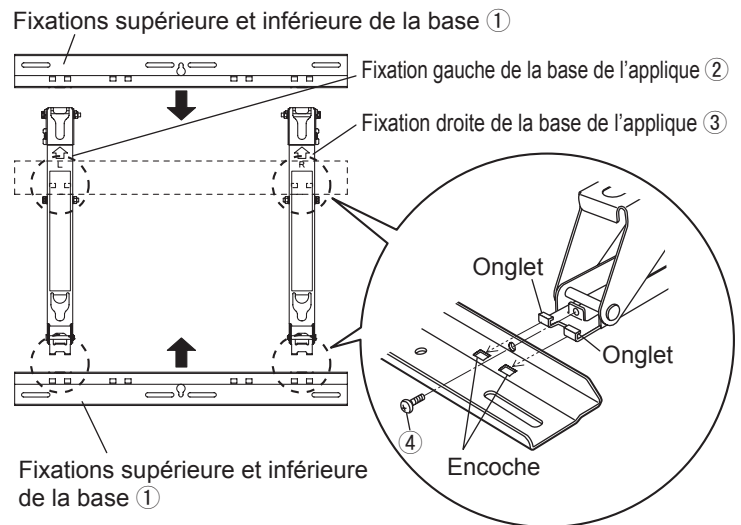
- ◆ Les travaux d'installation et de retrait doivent être effectués par un technicien qualifié. Si l'appareil est installé ou retiré de manière incorrecte, l'écran risque de tomber et de causer des blessures.
- ◆ L'applique de fixation au mur a été conçue pour maintenir un téléviseur à plasma contre un mur vertical. Ne montez pas cette applique sur une surface autre qu'un mur vertical.
- ◆ Pour que le téléviseur à plasma fonctionne convenablement et éviter les anomalies, ne choisissez pas un emplacement tel que ceux énumérés ci-dessous.
 - Emplacement près de sprinklers ou de détecteurs de fumée ou d'incendie
 - Emplacement exposé aux vibrations et aux chocs
 - Emplacement proche d'un câble haute tension ou d'une alimentation dynamique
 - À proximité de sources de magnétisme, de chaleur, de vapeur d'eau ou de suie
 - Emplacement exposé au souffle d'air d'un appareil de chauffage
 - Là où des gouttes de condensation d'un climatiseur ou autre appareil peuvent se former
- ◆ Monter l'appareil en utilisant une technique qui convient compte tenu de la structure et des matériaux de l'emplacement.
- ◆ Utilisez des vis du commerce d'un diamètre nominal de 6 mm adaptées à la nature du matériau (bois, structure en acier, béton, etc.) constituant le mur sur lequel doit être montée l'applique.
- ◆ Pour alimenter le téléviseur, choisissez une prise secteur qui soit aisément accessible.
- ◆ Veillez à ce que l'air puisse circuler librement de manière que la température de l'appareil en fonctionnement ne dépasse pas 40 °C. Dans le cas contraire, l'augmentation de température pourrait provoquer une anomalie de fonctionnement.
- ◆ Étendez une couverture ou un chiffon moelleux sur le sol de sorte que le téléviseur à plasma et le plancher ne soient pas marqués ou égratignés pendant les travaux de montage et d'installation.
- ◆ Lors du vissage des pièces, veillez à serrer suffisamment les vis mais aussi à ne pas trop les serrer.
- ◆ Soyez attentif à votre sécurité lorsque vous procédez au montage et à l'installation ou lorsque vous vous déplacez au cours de la tâche.
- ◆ Ne pas installer du téléviseur à plasma sous des lampes de plafond (projecteurs, lampes halogènes, etc.). Autrement le boîtier risque d'être déformé ou endommagé par la chaleur intense.

1. Montage de l'applique de fixation au mur

Posez les fixations supérieure et inférieure de la base ① et les fixations gauche et droite de la base de l'applique ② et ③ conformément à l'illustration.

Insérez les protubérances (onglets) des fixations gauche et droite de la base de l'applique dans les encoches (2 à gauche et 2 à droite) sur les fixations inférieure et supérieure de la base, puis serrez les pièces au moyen des quatre vis ④ pour monter le dispositif de fixation.

(Couple de serrage : 1.2 à 1.5 N·m)

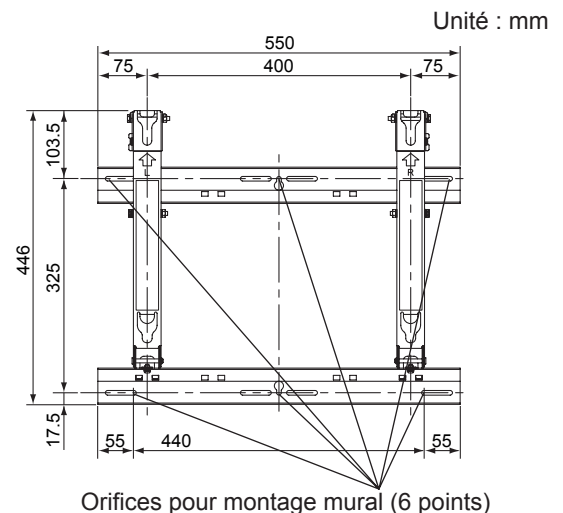


2. Vérification de la solidité de l'emplacement d'installation

- ① L'applique de fixation au mur pèse environ 3,2 kg. Consultez le mode d'emploi du téléviseur plasma pour vérifier le poids de l'ensemble du téléviseur plasma qui sera fixé à l'applique de fixation au mur.
- ② Consultez le dessin d'encombrement de l'applique de fixation au mur illustrée sur la droite et vérifiez la résistance du mur aux six emplacements d'installation indiqués. Appliquez un renfort approprié si la résistance n'est pas suffisante à ces emplacements.

Remarques

- Vous trouverez cinq orifices pour montage pré-perçés en haut et en bas de l'applique de fixation au mur. Utilisez les orifices inutilisés si le mur est en bois ou dans un autre matériel et qu'un niveau adéquat de résistance n'est pas garanti en assujettissant le dispositif de fixation aux six emplacements illustrés à droite.
- Gardez, toutefois, à l'esprit que, selon le matériau de l'emplacement de fixation, des fissures peuvent apparaître à la surface si les vis sont utilisées à des emplacements trop rapprochés les un des autres.
- N'installez ou ne posez qu'un téléviseur plasma sur le dispositif de fixation : n'installez pas, ni ne posez un autre appareil.
- Pour en savoir plus sur les dimensions applicables lorsque le téléviseur plasma est installé, consultez le dessin d'encombrement (à la page 80-83).



Orifices pour montage mural (6 points)

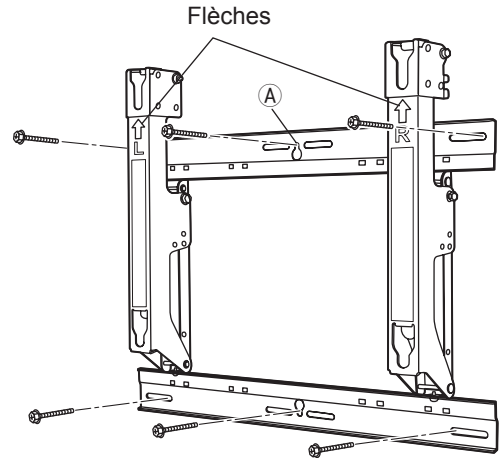
Utilisez sans faute les vis pour assujettir le dispositif de fixation.

3. Montage de l'applique de fixation murale sur le mur

- ① Installez l'applique de fixation au mur de sorte que les repères fléchés soient tournés vers le haut.
- ② Commencez par serrer la vis dans l'orifice central (A) supérieur.
- ③ Utilisez un niveau pour garantir que le dispositif de fixation ne penche pas d'un côté, puis serrez les vis dans les cinq orifices restants.

Remarques

- S'il s'avère nécessaire d'enfoncer les boulons ou les écrous dans le mur avant d'installer l'applique de fixation au mur car le mur est en béton, par exemple, repérez les emplacements des orifices en plaçant le dispositif de fixation murale sur le mur ou en calculant les emplacements des orifices d'après le dessin d'encombrement, puis enfoncez les boulons ou écrous avec un diamètre nominale de 6 mm ou équivalent.
Lorsque vous enfoncez les boulons, assurez-vous que leur tête dépasse de 10 à 15 mm de la surface du mur.
- Pour installer l'applique de fixation murale sur le mur, utilisez des vis avec un diamètre nominal de 6 mm ou équivalent en vente dans une quincaillerie et convenant aux matériaux de l'emplacement d'installation sur le mur.
- Serrez les vis sur au moins six emplacements.

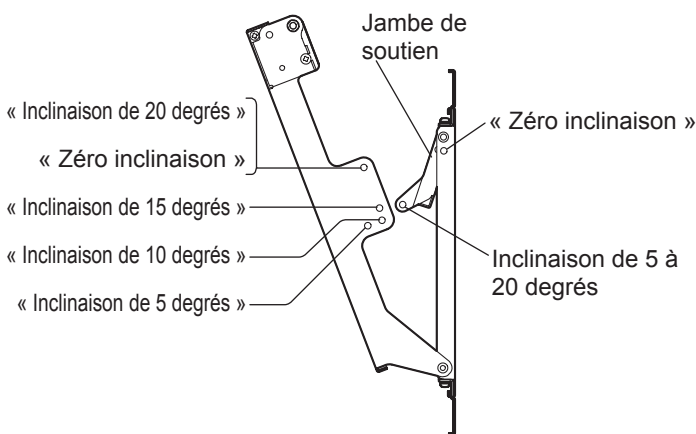


4. Réglage de l'angle de l'applique de fixation au mur

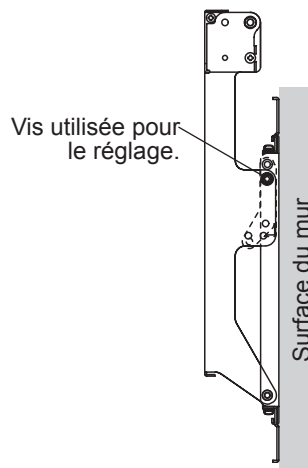
- ① L'angle de ce dispositif de fixation murale est réglable par incréments de 5 degrés selon 5 positions allant de « zéro inclinaison » à une « inclinaison de 20 degrés ».

Lorsque l'applique de fixation au mur sort d'usine, l'angle est réglé sur « zéro inclinaison ». Pour modifier cet angle, déposez les vis utilisées pour le réglage et changez l'emplacement de la jambe de soutien.

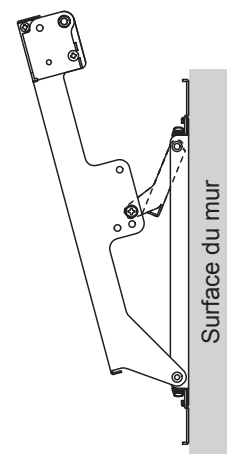
(Couple de serrage : 1.2 à 1.5 N·m)



Lorsque l'angle est réglé sur « Zéro inclinaison »



Lorsque l'angle est réglé sur « inclinaison de 15 degrés »



Remarque

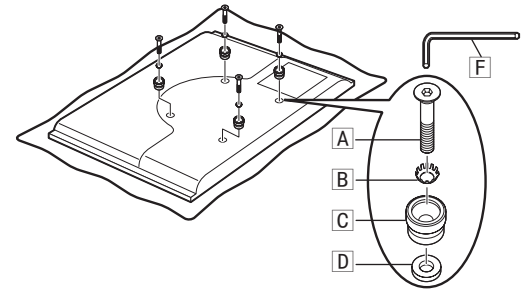
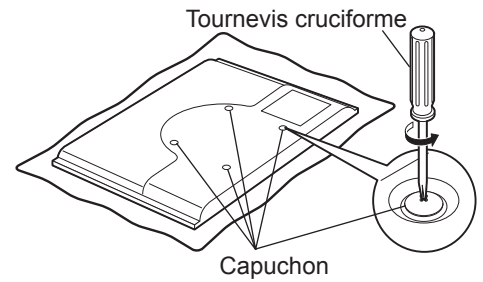
- Lors de l'utilisation de certains types de câble HDMI (RP-CDHG80 ou RP-CDHG100) ou de câbles PC, il se peut que le câble touche le mur et endommage la borne HDMI ou la borne d'entrée PC sur le téléviseur.
Le cas échéant, réglez l'angle de l'applique de fixation au mur de sorte qu'aucun poids ne soit appliqué au câble.

5. Mise en place des rondelles isolantes sur le téléviseur plasma

- ① Posez le téléviseur plasma face vers le bas sur une couverture propre ou tout autre morceau de tissu sans salissures ni particules étrangères, puis procédez comme indiqué ci-dessous. Faites attention aux rayures ou dommages si le téléviseur plasma comporte des pièces saillantes.
- ② Utilisez un tournevis cruciforme pour retirer les capuchons (4) du téléviseur plasma.

Remarque

- Conservez les capuchons retirés dans un lieu sûr. (Ils seront nécessaires en cas d'utilisation d'un socle de montage distinct.)
- ③ Procédez comme indiqué sur l'illustration de droite pour mettre en place les vis M8×32 à tête fraisée à six pans creux **A**, les rondelles cuvettes dentées **B**, les rondelles isolantes **C** et les rondelles d'espacements **D** (4 pour chaque pièce) fournies comme accessoires au moyen de la clé hexagonale incluse **F**, aux emplacements sur lesquels étaient placés les capuchons. (Couple de serrage : 3 à 4 N·m)

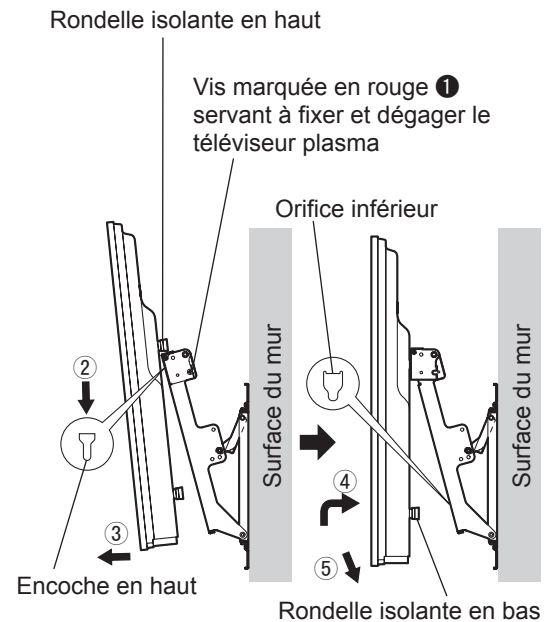


6. Fixation du téléviseur plasma à l'applique de fixation au mur et raccordement avec les autres éléments

- ① Déposez les vis gauche et droite marquées en rouge ① (une à gauche et une à droite) servant à fixer et dégager le téléviseur plasma.
- ② Faites correspondre les rondelles isolantes en haut du téléviseur plasma avec les encoches en haut de l'applique de fixation au mur, puis abaissez le téléviseur plasma.
- ③ Tirez le téléviseur plasma vers vous conformément à l'illustration de droite et raccordez-le aux autres éléments.
- ④ Une fois les raccordements terminés, soulevez légèrement le téléviseur plasma et insérez les rondelles isolantes du bas dans les orifices inférieurs de l'applique de fixation au mur.
- ⑤ À présent, abaissez le téléviseur plasma.

ATTENTION

- Si le téléviseur plasma est soulevé trop haut, sa partie supérieure se dégagera de l'applique de fixation au mur.

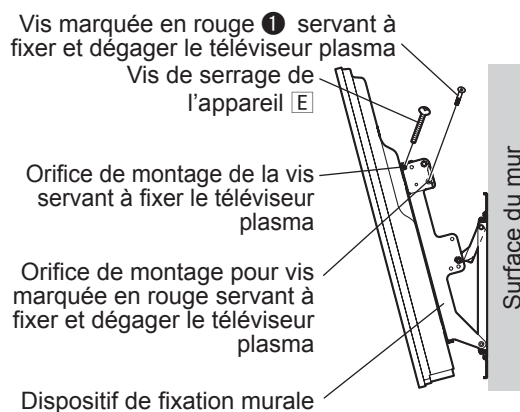


7. Fixation du téléviseur plasma

- ① Placez les vis fournies en accessoire **E** (2) pour fixer le téléviseur plasma dans les orifices de montage des vis sur les côtés (gauche et droit) de l'applique pour fixation au mur utilisée pour assujettir le téléviseur plasma.
- ② Serrez solidement les vis gauche et droite marquées en rouge **1** (une à gauche et une à droite) servant à fixer et dégager le téléviseur plasma dans les orifices pour montage des vis marquées en rouge sur le côté de l'applique de fixation au mur utilisée pour fixer et dégager le téléviseur plasma.
(Couple de serrage : 1,2 à 1,5 N•m)

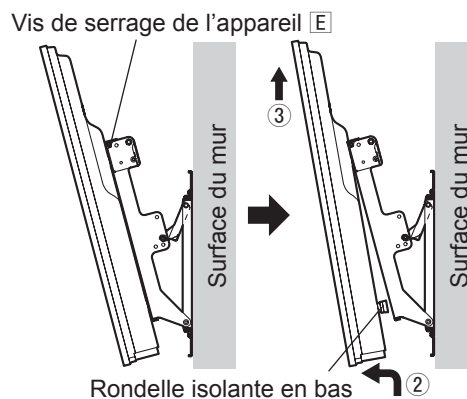
Remarque

- Afin d'empêcher le téléviseur plasma de se dégager de l'applique de fixation au mur, les vis de serrage de l'appareil **E** doivent être solidement serrées à gauche et à droite aussi loin que possible de leurs bases.



8. Comment retirer le téléviseur plasma de l'applique de fixation au mur

- ① Déposez les vis de serrage de l'appareil **E** (une à gauche et une à droite) installées sur les côtés de l'applique de fixation au mur.
- ② Tout en soulevant la partie inférieure du téléviseur plasma, tirez-le vers vous.
- ③ Une fois les rondelles isolantes en bas dégagées, soulevez le téléviseur plasma tout droit.



Precauciones para su seguridad

Advertencia

Asegúrese de que el lugar de instalación sea lo suficientemente resistente como para poder ser utilizado durante mucho tiempo.

- Si la resistencia dejara de ser suficiente a lo largo de la utilización durante mucho tiempo, la pantalla podría caerse y probablemente causar lesiones a las personas.

El trabajo de instalación y la expansión del equipo de conexión nunca deberán ser realizados por una persona que no sea un especialista en instalaciones cualificado.

- Una instalación mal hecha puede ser la causa de que el equipo se caiga y cause lesiones.

Tenga en cuenta la seguridad cuando considere la resistencia del lugar de instalación propuesto.

- Si la resistencia no es suficiente, el equipo podrá caerse y causar lesiones.

No haga la instalación en un lugar que no pueda aguantar el peso.

- Si el lugar de instalación no es lo suficientemente fuerte, el equipo podrá caerse.

No desarme ni modifique el soporte para colgar en pared.

- De lo contrario, la unidad podría caerse y dañarse, y podrían producirse lesiones a personas.

Precaución

No utilice otros televisors que los indicados en el catálogo.

- En caso de no ser así, la unidad puede caerse y dañarse, pudiendo causar daños a personas.

No haga la instalación en ningún lugar expuesto a la humedad, polvo, humo, vapor o calor.

- Esto podría causar un efecto adverso en el televisor de plasma y causar un incendio o una descarga eléctrica.

El trabajo de instalar o desinstalar el televisor de plasma deberá ser realizado por dos personas como mínimo.

- El televisor de plasma podría caerse y causar lesiones.

No lo instale mirando hacia arriba, hacia los lados o al revés.

- Esto podría causar acumulaciones de calor en el interior del televisor de plasma, lo que podría dar origen a un incendio.

Deje un espacio libre de 10 cm como mínimo por la parte superior, por los lados y por el lado izquierdo, 10 cm como mínimo por la parte inferior, deje una separación entre el panel trasero y la pared.

- El televisor de plasma tiene orificios de salida de aire en la parte superior y entrada de aire en la parte inferior y en la parte trasera. Tapar estos orificios podría causar un incendio.

Instale el televisor de plasma siguiendo solamente los pasos especificados en estas instrucciones: No lo instale de ninguna otra forma.

- De lo contrario, la unidad podría caerse y dañarse, y podrían producirse lesiones a personas.

Instale los tornillos de montaje y el cable de alimentación de forma que no hagan contacto con las partes interiores de la pared.

- Tocar cualquier objeto metálico del interior de la pared puede causar descargas eléctricas.

Para hacer la instalación, utilice las piezas componentes para propósitos especiales.

- De lo contrario, el televisor de plasma podría caerse de la pared y causar lesiones a personas.

Retire el producto que no se va a utilizar más.

- De lo contrario, el producto podría caerse y causar lesiones a personas.

Acerca del manejo

- 1) Tenga cuidado al elegir la ubicación del televisor, porque éste podría perder color o deformarse debido a la luz o al calor si se colocara en un lugar expuesto directamente a la luz solar o cerca de una calefacción.
- 2) Limpie la ménsula para colgar en pared pasando por ella un paño blando y seco (como los hechos con algodón o franela). Si la ménsula está muy sucia, quite la suciedad utilizando un detergente neutro diluido en agua, y pasando luego un paño seco. No utilice bencina, diluyente o cera para muebles porque éstos pueden ser la causa de que se pele el revestimiento.
(Para conocer información sobre cómo limpiar la pantalla, consulte el manual de instrucciones de la misma. Si utiliza un paño tratado químicamente, siga las instrucciones suministradas con el paño.)
- 3) No pegue cinta adhesiva ni pegatinas en el producto. Ambas podrían ensuciar la superficie del soporte para colgar en pared. No permita tampoco el contacto prolongado con productos de goma, vinilo o similares. (Al hacerlo se producirán deterioros.)
- 4) Durante la instalación, evite cualquier golpe, ya que podrían producirse 'fisuras de panel' en el televisor de plasma.

Caution:

Este soporte ha sido diseñado para ser utilizado solamente con los TV de plasma de Panasonic (consulte la página 80-83).

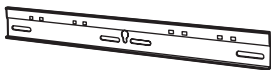
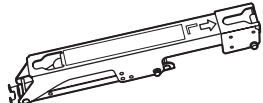
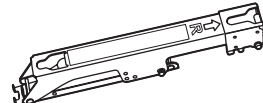
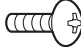
Si se utiliza con otros aparatos, la instalación no será estable y algunas personas podrían sufrir heridas.

LA INSTALACIÓN NECESITA SER REALIZADA POR PROFESIONALES.

PANASONIC NO SE HACE RESPONSABLE DE NINGÚN DAÑO CAUSADO EN PROPIEDADES NI TAMPOCO DE LESIONES GRAVES, INCLUYENDO LA MUERTE, DEBIDOS A LA MALA INSTALACIÓN O AL MANEJO INCORRECTO.

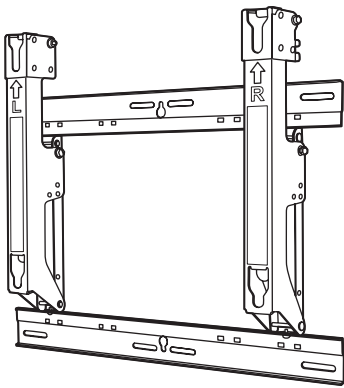
TY-WK4P1RW Soporte para colgar en pared (Tipo de ángulo ajustable)

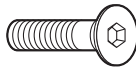
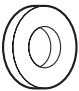

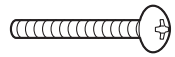
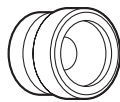

Piezas utilizadas para ensamblar el soporte para colgar en pared

<p>① Accesorios superior e inferior de la base (2)</p> 	<p>② Accesorio izquierdo de la base del soporte (1)</p> 	<p>③ Accesorio derecho de la base del soporte (1)</p> 	<p>④ Tornillos M5x8 para ensamblar el soporte (4)</p> 
--	---	--	---

Piezas utilizadas para la instalación

Vista del soporte completamente ensamblado



<p>A Tornillos Allen M8x32 de cabeza avellanada (4)</p> 	<p>D Espaciadores (4)</p> 
<p>B Arandelas dentadas convexas (4)</p> 	<p>E Tornillos de fijación M5x50 de la unidad (2)</p> 
<p>C Espaciadores de aislamiento (4)</p> 	<p>F Llave Allen (herramienta incluida) (1)</p> 

Precauciones para la instalación del soporte para colgar en pared

- ◆ El trabajo de instalación y desmontaje deberá llevarlo a cabo un técnico cualificado.
Si la unidad se instala o desmonta incorrectamente, la pantalla puede caerse y causar lesiones a personas.
- ◆ El soporte para colgar en pared se utiliza para colocar un televisor de plasma en una pared vertical. No lo instale en ninguna otra superficie que no sea una pared vertical.
- ◆ Para asegurar el correcto funcionamiento del televisor de plasma y evitar problemas, no lo instale en ninguna de las ubicaciones siguientes:
 - Cerca de rociadores o detectores de fuego/humo
 - Donde corra el riesgo de quedar expuesto a vibraciones o golpes
 - Cerca de cables de alta tensión o fuentes de alimentación
 - Cerca de campos magnéticos, fuentes de calor, vapor de agua u hollín
 - Lugares expuestos a la salida del aire de equipos de calefacción
 - Donde se puedan formar gotas de condensación de un acondicionador de aire o de otro aparato
- ◆ Haga la instalación utilizando técnicas adecuadas a la estructura y materiales del lugar de instalación.
- ◆ Utilice tornillos comercialmente disponibles de 6 mm de diámetro diseñados para el material donde se instale el soporte para colgar en pared (madera, bastidor de acero, hormigón etc.).
- ◆ Conecte el televisor a una toma de corriente a la que pueda accederse fácilmente.
- ◆ Deje un espacio suficiente para que circule el aire y la temperatura del equipo no supere los 40 °C. De lo contrario, se acumulará calor en el interior del televisor de plasma y éste podrá funcionar mal.
- ◆ Extienda una manta o paño blando sobre el suelo para que el televisor de plasma y el suelo no queden marcados ni arañados durante el trabajo de montaje e instalación.
- ◆ Cuando atornille piezas, asegúrese de que los tornillos no estén flojos ni excesivamente apretados.
- ◆ Tenga suficiente cuidado para garantizar la seguridad a su alrededor cuando realice el trabajo de montaje e instalación o mientras se mueve durante el curso del trabajo.
- ◆ No instale el televisor de plasma debajo de lámparas del techo (luces direccionales, lámparas halógenas, etc.). De lo contrario, la caja puede doblarse o dañarse debido al calor intenso.

Procedimiento de instalación

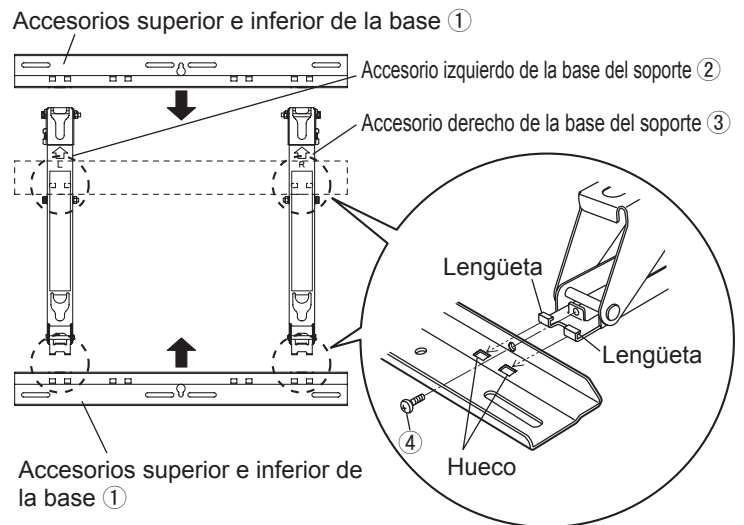
[Para hacer la instalación no utilice ningún otro método diferente del especificado.]

1. Ensamblaje del soporte para colgar en pared

Ponga los accesorios superior e inferior de la base ① y los accesorios derecho e izquierdo del soporte ② y ③ como se muestra en la figura.

Meta las protuberancias (lengüetas) de los accesorios derecho e izquierdo de la base del soporte en los huecos (2 en la derecha y 2 en la izquierda) de los accesorios superior e inferior de la base, y asegure las piezas utilizando los cuatro tornillos ④ para ensamblar el soporte.

(Par de apriete: 1.2 a 1.5 N·m)

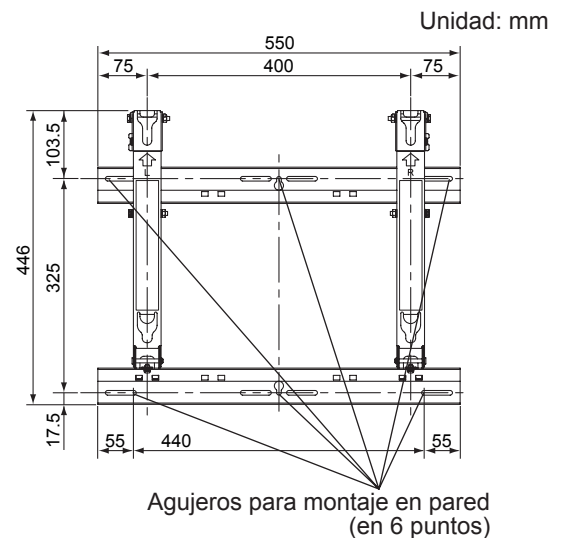


2. Verificación de la resistencia del lugar de instalación

- ① El soporte para colgar en pared pesa aproximadamente 3,2 kg. Consulte el manual de instrucciones del TV de plasma, y verifique el peso de la unidad del TV de plasma que será colocada en el soporte para colgar en pared.
- ② Consulte el plano acotado del soporte para colgar en pared mostrado a la derecha, y verifique la resistencia de la pared en las seis posiciones de instalación mostradas. Si la resistencia en cualquiera de esas posiciones no es suficiente, proporcione el refuerzo que sea necesario.

Notas

- Hay cinco agujeros de montaje pretaladrados en la parte superior y otros cinco en la parte inferior del soporte para colgar en pared. Utilice los orificios de repuesto provistos si se emplea madera u otros materiales en la pared y no se puede asegurar un nivel suficiente de resistencia del montaje al fijar el soporte en las seis posiciones mostradas a la derecha. No obstante, tenga en cuenta que, dependiendo de los materiales de los que esté hecha la superficie de montaje, puede que se formen grietas en la superficie si los tornillos se utilizan en posiciones demasiado próximas entre sí.
- Monte o ponga solamente un TV de plasma en el soporte: No monte ni coloque en él ningún otro producto.
- Para conocer detalles de las dimensiones aplicables cuando se monta el TV de plasma, consulte el plano acotado (en la página 80-83).



Utilice sin falta los tornillos para fijar el soporte.

3. Instalación en la pared del soporte para colgar en pared

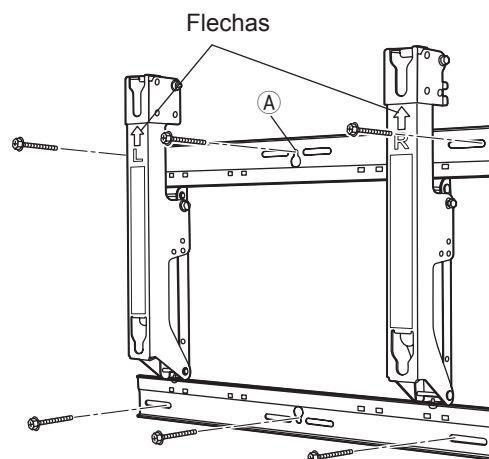
- ① Instale el soporte para colgar en pared de forma que las flechas marcadas en él apunten hacia arriba.
- ② Primero, asegure el tornillo del agujero central superior (A).
- ③ Utilice un nivel para asegurar que el soporte no esté inclinado hacia un lado, y luego asegure los tornillos en los cinco agujeros restantes.

Notas

- Si resulta necesario tener que meter pernos o tuercas en la pared antes de instalar el soporte para colgar en pared, debido a que la pared es de hormigón, por ejemplo, sitúe las posiciones de los agujeros poniendo el soporte para colgar en pared en la pared o calculando las posiciones de los agujeros empleando el plano acotado, y luego meta pernos y tuercas con un diámetro nominal de 6 mm más o menos.

Cuando meta los pernos, asegúrese de que sus cabezas sobresalgan entre 10 y 15 mm de la superficie de la pared.

- Para instalar el soporte para colgar en pared en la pared, utilice tornillos con un diámetro nominal de 6 mm más o menos de venta en ferreterías, procurando que éstos sean adecuados a los materiales del lugar de instalación en la pared.
- Fije los tornillos en un mínimo de seis posiciones.

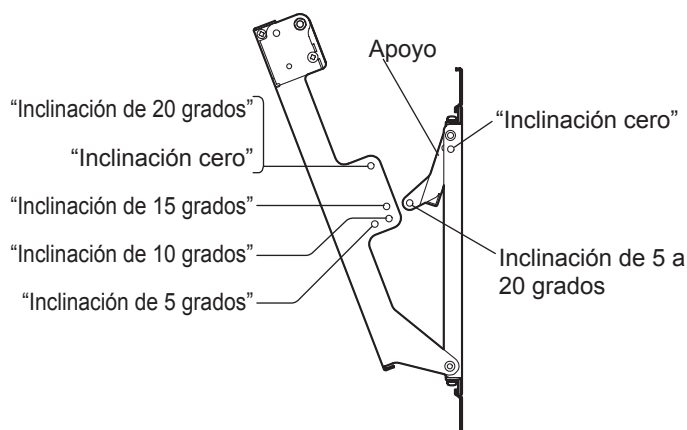


4. Ajuste del ángulo del soporte para colgar en pared.

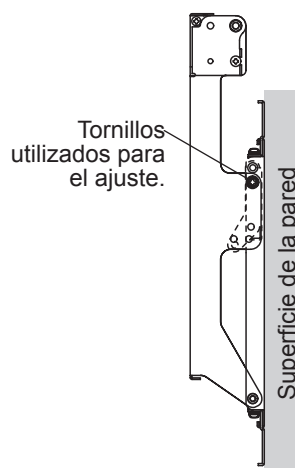
- ① El ángulo de este soporte para montar en pared se puede ajustar con aumentos de 5 grados en una de cinco posiciones: desde "inclinación cero" a "inclinación de 20 grados".

Cuando el soporte para colgar en pared sale de la fábrica, el ángulo está ajustado en "inclinación cero". Para cambiar este ángulo, quite los tornillos utilizados para el ajuste y cambie la posición del apoyo.

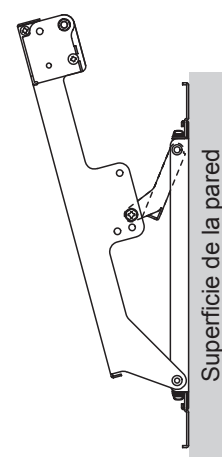
(Par de apriete: 1.2 a 1.5 N·m)



Cuando el ángulo está ajustado en "inclinación cero"



Cuando el ángulo está ajustado en "inclinación de 15 grados"



Nota

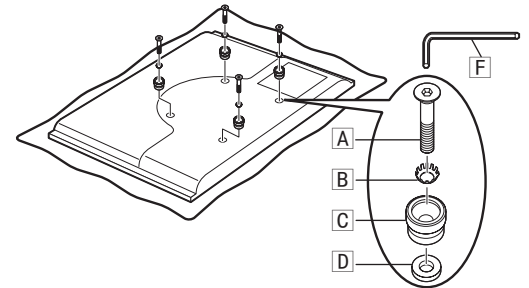
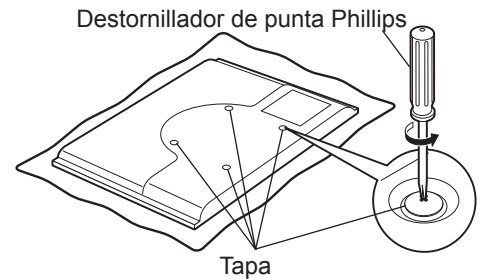
- Cuando utilice algunos tipos de cables HDMI (RP-CDHG80 o RP-CDHG100) o cables de PC, los cables pueden que toquen la pared y dañen el terminal HDMI o el terminal de entrada de PC en el televisor. En tal caso, ajuste el ángulo del soporte para colgar en pared de forma que no se aplique peso al cable.

5. Instalación de los espaciadores de aislamiento en el TV de plasma

- 1 Ponga el TV de plasma con la cara hacia abajo sobre una manta limpia u otra pieza de tela que no esté sucia ni tenga materias extrañas, y luego siga las instrucciones dadas más abajo. Tenga cuidado para impedir arañazos o daños si el TV de plasma tiene piezas que sobresalen.
- 2 Utilice un destornillador de punta Phillips para quitar las tapas (4) del TV de pantalla de plasma.

Nota

- Guarde en un lugar seguro las tapas que haya quitado. (Éstas serán necesarias cuando se utilice un soporte de instalación separado.)
- 3 Como se muestra en la figura de la derecha, y utilizando la llave Allen incluida [F], instale en los lugares donde las tapas fueron instaladas previamente los tornillos Allen M8×32 de cabeza avellanada [A], las arandelas dentadas cóncavas [B], los espaciadores de aislamiento [C] y los espaciadores [D] (4 de cada suministrados).
(Par de apriete: 3 a 4 N•m)

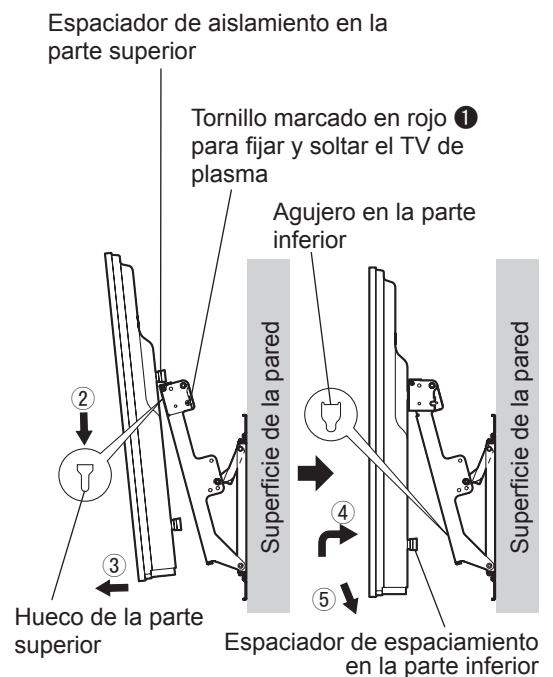


6. Montaje del TV de plasma en el soporte para colgar en pared y conexión del mismo a otros componentes.

- 1 Quite los tornillos marcados en rojo derecho e izquierdo 1 (una a la derecha y el otro a la izquierda) utilizados para fijar y soltar el TV de plasma.
- 2 Fije los espaciadores de aislamiento de la parte superior del TV de plasma en los huecos de la parte superior del soporte para colgar en pared, y luego baje el TV de plasma.
- 3 Tire del TV de plasma hacia usted como se muestra en la figura de la derecha, y conéctelo a otros componentes.
- 4 Después de terminar las conexiones, levante un poco el TV de pantalla de plasma y luego inserte los espaciadores de aislamiento de la parte inferior en los agujeros de la parte inferior del soporte para colgar en pared.
- 5 Baje ahora el TV de plasma.

AVISO

- Si el TV de plasma se levanta demasiado, su parte superior se soltará del soporte para colgar en pared.

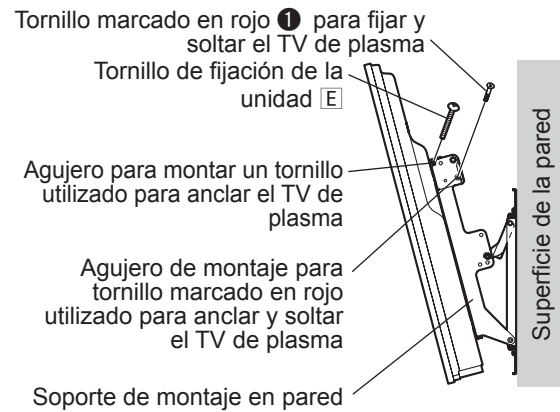


7. Anclaje del TV de plasma

- 1 Instale los tornillos suministrados **E** (2) para anclar el TV de plasma en los agujeros de montaje roscados de los costados (derecho e izquierdo) del soporte para colgar en pared, para asegurar así el TV de plasma.
- 2 Apriete firmemente los tornillos marcados en rojo derecho e izquierdo **1** (uno a la derecha y el otro a la izquierda) utilizados para anclar y soltar el TV de plasma en los agujeros de montaje de tornillos marcados en rojo situados en el lado del soporte para colgar en pared utilizado para anclar y soltar el TV de plasma.
(Par de apriete: 1,2 a 1,5 N•m)

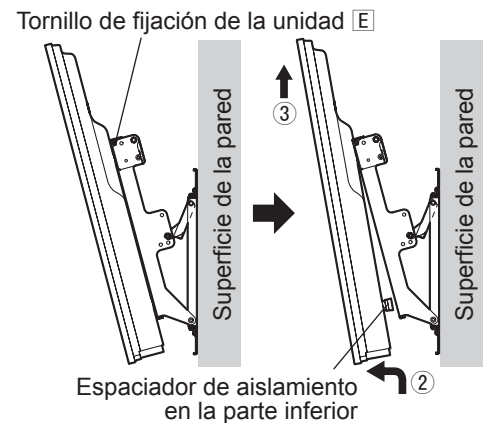
Nota

- Para impedir que el TV de plasma se suelte del soporte para colgar de pared, los tornillos de fijación de la unidad **E** deberán apretarse firmemente en la derecha y en la izquierda hasta llegar a sus bases.



8. Cómo retirar el TV de plasma del soporte para colgar en pared

- 1 Quite los tornillos de fijación de la unidad **E** (uno a la derecha y el otro a la izquierda) instalados en los lados del soporte para colgar en pared.
- 2 Mientras levanta la parte inferior del TV de plasma, tire del propio TV hacia usted.
- 3 Una vez soltados los espaciadores de aislamiento de la parte inferior, levante derecho el TV de plasma.



Precauções de segurança

AVISO

Verifique se o local de instalação é suficientemente resistente para suportar uma utilização a longo prazo.

- Se a resistência se tornar insuficiente durante uma utilização prolongada, o televisor pode cair e provocar ferimentos em alguém.

O trabalho de montagem e ligação do equipamento só pode ser feita por um técnico de instalação qualificado.

- Uma montagem incorrecta pode fazer cair o equipamento e ferir alguém.

Inclua um factor de segurança quando calcular a resistência do local de montagem proposto.

- Se a resistência não for suficiente o televisor pode cair e ferir alguém.

Não faça a montagem num local que não suporte a carga.

- Se o local de montagem não for suficientemente resistente o equipamento pode cair.

Não desmonte nem modifique o suporte de instalação na parede.

- Se não o fizer, a unidade pode cair e ficar danificada ou ferir alguém.

ATENÇÃO

Não utilize UM televisor e ecrãs diferentes dos indicados no catálogo.

- Se não o fizer, a unidade pode cair e ficar danificada ou ferir alguém.

Não faça a montagem em locais onde haja humidade, pó, fumo, vapor ou calor.

- Isso pode afectar o televisor com ecrã de plasma e provocar um incêndio ou choque eléctrico.

O trabalho de montagem ou desmontagem do televisor com ecrã de plasma tem de ser feito, pelo menos, por duas pessoas.

- O televisor com ecrã de plasma pode cair e ferir alguém.

Não o monte virado para cima, para os lados ou ao contrário.

- Se o fizer, pode produzir-se calor dentro do televisor com ecrã de plasma e provocar um incêndio.

Deixe um espaço de pelo menos 10 cm por cima, dos lados e por baixo do televisor com ecrã de plasma e algum espaço livre entre o painel traseiro e a parede.

- O televisor com ecrã de plasma tem ranhuras de ventilação na parte superior e de sucção do ar na parte inferior e traseira. Se tapar essas ranhuras pode provocar um incêndio.

Instale o televisor com ecrã de plasma seguindo os passos especificados nestas instruções: Não faça a instalação de uma maneira diferente.

- Se não o fizer, a unidade pode cair e ficar danificada ou ferir alguém.

Instale os parafusos de fixação e o cabo de alimentação de maneira a que não fiquem em contacto com as peças do interior da parede.

- O contacto com objectos metálicos que possam existir no interior da parede pode provocar um choque eléctrico.

Utilize as peças especiais fornecidas para a instalação.

- Se não o fizer, o televisor com ecrã de plasma pode cair da parede e ferir alguém.

Retire o equipamento que não vai utilizar mais.

- Se não o fizer, o equipamento pode cair e ferir alguém.

Requisitos de manuseamento

- 1) Tenha cuidado ao seleccionar o local para instalação do televisor porque se o colocar num local onde esteja exposto directamente à luz solar ou junto de um aquecedor, pode perder a cor ou ficar deformado devido à luz ou calor.
- 2) Limpe o suporte de instalação na parede com um pano seco e macio (de algodão ou flanela). Se o suporte estiver muito sujo, limpe-o com um pano humedecido numa solução de detergente neutro e água e depois seque-o com um pano seco. Não utilize benzina, diluente ou cera para móveis pois pode danificar o revestimento.
(Para informações sobre a limpeza do ecrã, consulte o manual de instruções do ecrã. Se utilizar um pano com tratamento químico, siga as instruções fornecidas com o pano.)
- 3) Não cole fita adesiva ou etiquetas auto-colantes no equipamento. Se o fizer, pode sujar a superfície do suporte de instalação na parede. Não o deixe em contacto prolongado com produtos de borracha, vinil ou outros do género. (Se o fizer, pode deteriorar o equipamento.)
- 4) Tenha cuidado durante a instalação pois os choques podem provocar rachas no ecrã do televisor.

Atenção:

Este suporte destina-se apenas aos modelos de televisor com ecrã de plasma da Panasonic (Consulte a página 80-83).


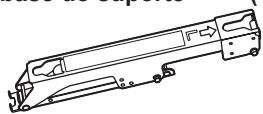
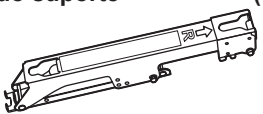
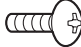
A utilização com outros aparelhos pode causar instabilidade e ferir alguém.

A INSTALAÇÃO TEM DE SER FEITA POR UM PROFISSIONAL.

A PANASONIC NÃO SE RESPONSABILIZA POR DANOS MATERIAIS E/OU FERIMENTOS GRAVES, INCLUINDO A MORTE RESULTANTES DE UMA INSTALAÇÃO MAL FEITA OU DE UM MANUSEAMENTO INCORRECTO.

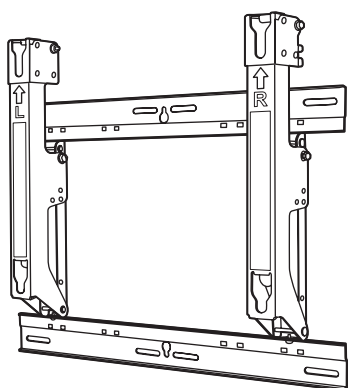
TY-WK4P1RW Suporte de instalação na parede (Ângulo ajustável)

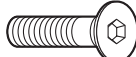
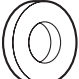

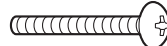


Peças utilizadas para montar o suporte de instalação na parede

<p>① Ferragem superior e inferior da base (2)</p> 	<p>② Ferragem esquerda da base do suporte (1)</p> 	<p>③ Ferragem direita da base do suporte (1)</p> 	<p>④ Parafusos M5x8 para montagem da estrutura (4)</p> 
---	---	---	--

Peças utilizadas na instalação

Vista da estrutura completamente montada



<p>A Parafusos Allen M8x32 de cabeça de embeber (4)</p> 	<p>D Espaçadores (4)</p> 
<p>B Anilhas dentadas côncavas (x4) (4)</p> 	<p>E Parafusos de fixação da unidade M5x50 (2)</p> 
<p>C Espaçadores de isolamento (4)</p> 	<p>F Chave Allen (incluída) (1)</p> 

Precauções para montagem do suporte de instalação na parede

- ◆ O trabalho de montagem e remoção só deve ser efectuado por um técnico qualificado. Se montar ou desmontar a unidade incorrectamente, o ecrã pode cair e ferir alguém.
- ◆ O suporte de instalação na parede serve para montar o televisor de plasma numa parede vertical para visualização. Não monte o suporte numa superfície que não seja uma parede vertical.
- ◆ Para garantir o funcionamento correcto do televisor com ecrã de plasma e evitar problemas, não faça a instalação em nenhum dos locais indicados a seguir.
 - Perto de sprinklers ou detectores de fumo/incêndio
 - Locais onde haja risco de exposição a vibrações ou impactos
 - Junto de cabos de alta tensão ou fontes de alimentação dinâmicas
 - Junto de fontes de magnetismo, calor, vapor de água ou fuligem
 - Locais expostos ao ar que sai de um aparelho de aquecimento
 - Locais onde possam formar-se gotas de condensação de um aparelho de ar condicionado ou outro aparelho.
- ◆ Faça a montagem utilizando as técnicas adequadas à estrutura e materiais do local que vai ser utilizado.
- ◆ Utilize parafusos à venda no Mercado com um diâmetro nominal de 6 mm adequados ao material da parede (madeira, estrutura de metal, betão etc.) em que vai montar o suporte.
- ◆ Ligue a ficha do televisor a uma tomada de parede que seja de fácil acesso.
- ◆ Verifique se há uma boa circulação de ar para que a temperatura ambiente do equipamento não exceda os 40 °C. Se não o fizer, pode produzir-se calor dentro do televisor com ecrã de plasma e provocar problemas no funcionamento.
- ◆ Estenda um cobertor ou um pano no chão para que o televisor com ecrã de plasma e o chão não fiquem marcados ou riscados durante o trabalho de montagem e instalação.
- ◆ Quando aparafusar as peças, verifique se os parafusos não estão nem mal apertados nem apertados demais.
- ◆ Tome as precauções necessárias para garantir a segurança à sua volta durante a montagem e instalação ou quando se movimenta durante o trabalho.
- ◆ Não instale o televisor com ecrã de plasma por baixo das lâmpadas do texto (focos, lâmpadas de halogénio, etc.). Caso contrário, a caixa do televisor pode ficar torta ou danificada pelo calor.

Próprio procedimento

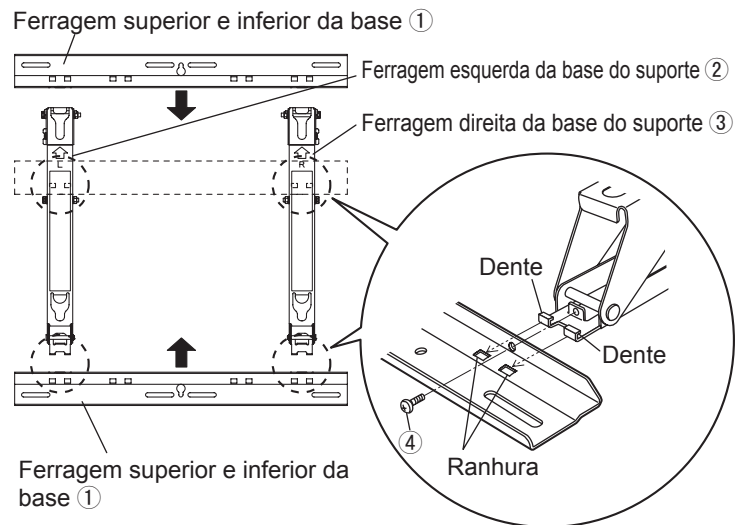
Nunca use qualquer outro método que especificou para instalar.

1. Montagem do suporte de instalação na parede

Coloque a ferragem superior e inferior da base ① e as ferragens esquerda e direita da base do suporte ② e ③, como se mostra na figura.

Encaixe as saliências (dentes) da ferragem esquerda e direita da base do suporte nas ranhuras (2 no lado esquerdo e 2 no lado direito) das ferragens superior e inferior da base e fixe as peças com os quatro parafusos ④ para montar a estrutura.

(Binário de aperto: 1.2 a 1.5 N•m)

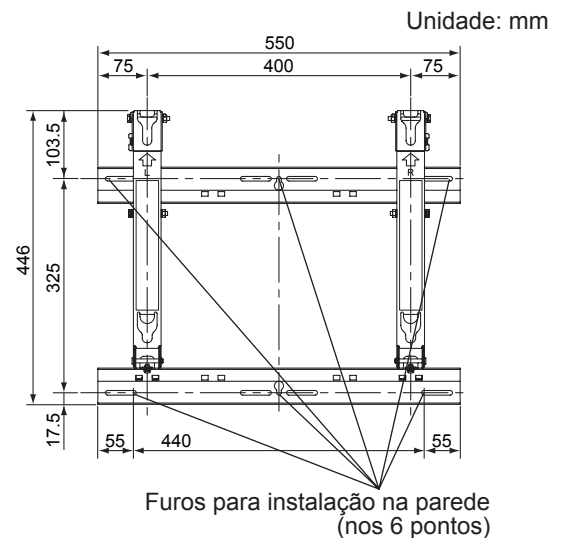


2. Verificação da resistência do local de instalação

- ① O suporte de instalação na parede pesa cerca de 3,2 kg. Consulte o manual de instruções do televisor com ecrã de plasma e verifique o peso do modelo que vai instalar no suporte.
- ② Consulte o desenho do suporte de instalação na parede mostrado à direita e verifique a resistência da parede nas seis posições de instalação indicadas. Se a resistência de uma destas posições não for suficiente, reforce-a adequadamente.

Notas

- Há cinco orifícios de montagem pré-furados na parte superior e outros cinco na parte inferior do suporte de instalação na parede. Utilize os orifícios restantes existentes, se a parede for de madeira ou de outro material e não for possível garantir um nível suficiente de resistência para a instalação e fixe a estrutura nas seis posições mostradas à direita.
- No entanto, não esqueça de que, dependendo dos materiais da superfície de montagem, podem aparecer rachas na superfície se colocar os parafusos em posições demasiado perto umas das outras.
- Não monte nem coloque nada a não ser um televisor com ecrã de plasma na estrutura: Não monte nem coloque qualquer outro produto.
- Para obter detalhes sobre as dimensões que se aplicam quando o televisor com ecrã de plasma é montado, consulte o desenho (na página 80-83).



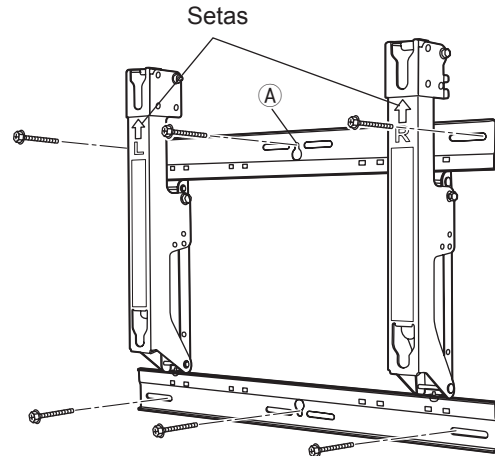
Utilize os parafusos para fixar a estrutura.

3. Montagem do suporte de instalação na parede

- 1 Monte o suporte de instalação na parede de maneira a que as setas indicadas no mesmo fiquem a apontar para cima.
- 2 Primeiro de tudo, aperte o parafuso do orifício central superior A.
- 3 Use um nível para garantir que a estrutura não está inclinada para um lado e depois aperte os parafusos dos cinco orifícios restantes.

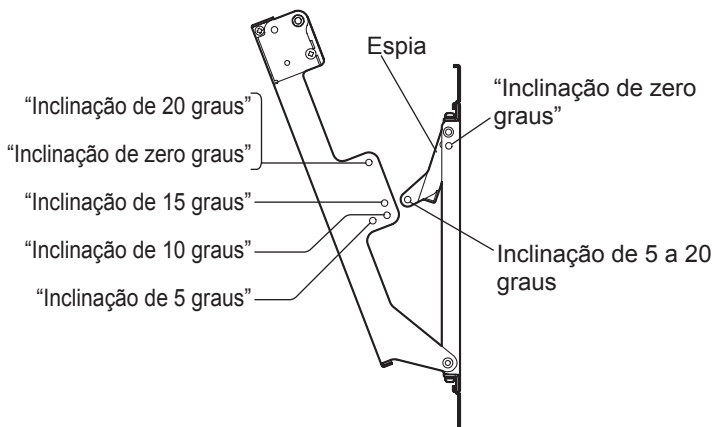
Notas

- Se for necessário embeber os parafusos ou porcas na parede antes de montar o suporte porque, por exemplo, a parede é de betão, localize as posições dos orifícios colocando a própria estrutura de montagem na parede ou calculando as posições dos orifícios baseando-se no desenho e depois embeba os parafusos e porcas de diâmetro nominal de 6 mm ou equivalente. Quando embeber os parafusos, verifique se as cabeças respectivas ficam saídas 10 a 15 mm da superfície da parede.
- Para montar o suporte na parede, use parafusos com um diâmetro nominal de 6 mm ou equivalentes à venda nas lojas de ferragens e adequados aos materiais da superfície de instalação na parede.
- Fixe os parafusos em pelo menos seis posições.

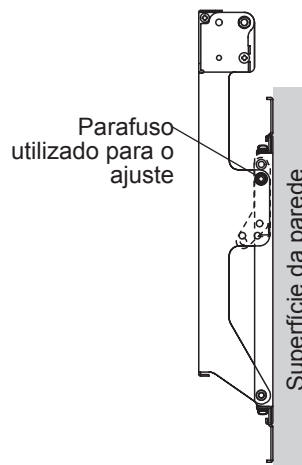


4. Ajustar o ângulo do suporte de instalação na parede

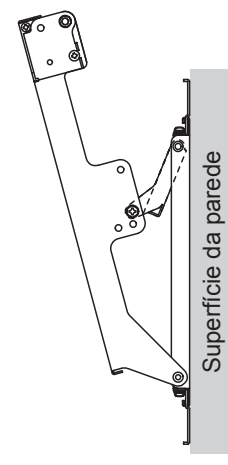
- 1 O ângulo desta estrutura montada na parede pode ser ajustado em incrementos de 5 graus para uma das cinco posições que vão de "inclinação zero" até "inclinação de 20 graus". O suporte de instalação na parede é enviado de fábrica com o ângulo definido para "inclinação zero." Para alterar o ângulo, retire os parafusos utilizados para o ajuste e mude a posição da espia (Binário de aperto: 1.2 a 1.5 N·m)



Quando o ângulo está ajustado para "inclinação de zero graus"



Quando o ângulo está ajustado para "inclinação de 15 graus"



Nota

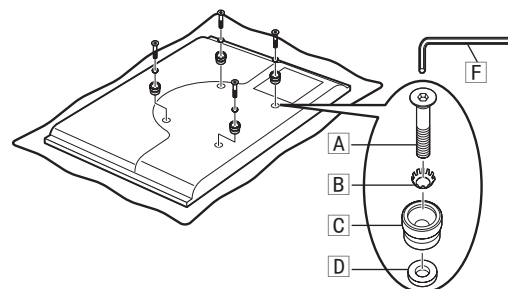
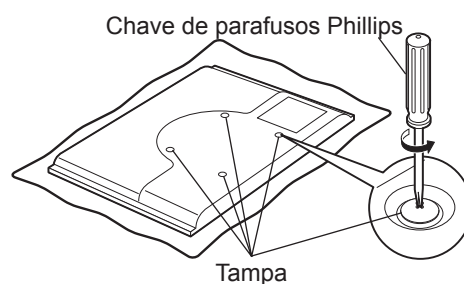
- Quando utilizar determinados tipos de cabos HDMI (RP-CDHG80 ou RP-CDHG100) ou de PC, o cabo pode tocar na parede e danificar o terminal HDMI ou o terminal de entrada de PC do televisor. Se isso acontecer, ajuste o ângulo do suporte de instalação na parede, para que o peso não seja aplicado ao cabo.

5. Instalar os espaçadores de isolamento no televisor com ecrã de plasma

- Coloque o televisor com ecrã de plasma virado para baixo em cima de um cobertor limpo ou outro pano sem pó nem sujidade e execute os passos indicados abaixo. Tenha cuidado para não riscar nem danificar o televisor com ecrã de plasma se este último tiver peças salientes.
- Utilize uma chave de parafusos Phillips para retirar as tampas (4) do televisor com ecrã de plasma.

Nota

- Guarde as tampas que retirou num local seguro. (Vai precisar delas se utilizar uma base de instalação separada.)
- Como se mostra na figura da direita, coloque os parafusos Allen de cabeça de embeber M8×32 (A), as anilhas dentadas côncavas (B), os espaçadores de isolamento (C) e os espaçadores (D) (x4 para cada peça) nos locais onde as tampas estavam instaladas, utilizando a chave Allen incluída (F). (Binário de aperto: 3 a 4 N•m)

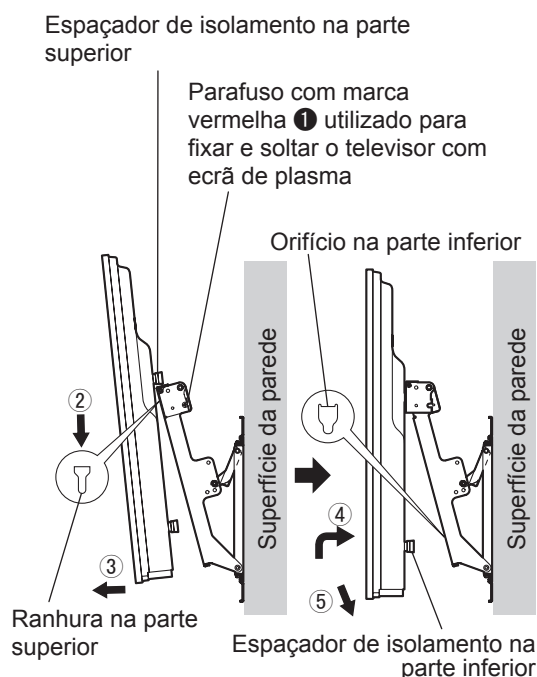


6. Montagem do televisor com ecrã de plasma no suporte de instalação na parede e ligação do mesmo aos outros componentes

- Retire os parafusos da direita e da esquerda com a marca vermelha (1) utilizados para fixar e soltar o televisor com ecrã de plasma.
- Instale os espaçadores de isolamento da parte superior do televisor com ecrã de plasma nas ranhuras da parte superior do suporte de instalação na parede e baixe o televisor.
- Puxe o televisor de plasma para si, como se mostra na figura da direita e ligue-o aos outros componentes.
- Depois de terminar as ligações, levante ligeiramente o televisor com ecrã de plasma e introduza os espaçadores de isolamento da parte inferior, nos orifícios da parte inferior do suporte de instalação na parede.
- Agora baixe o televisor.

ATENÇÃO

- Se levantar demais o televisor com ecrã de plasma, a parte superior do mesmo desprende-se do suporte de instalação na parede.

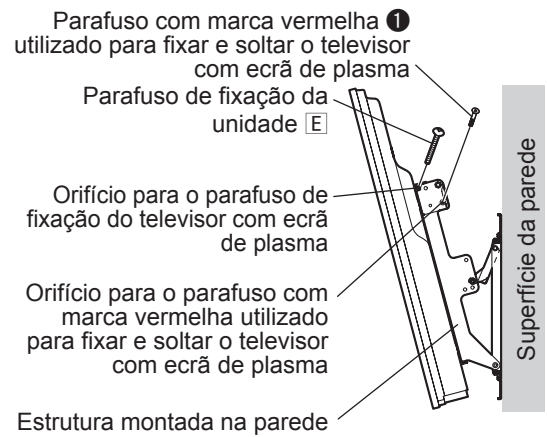


7. Fixar o televisor com ecrã de plasma.

- 1 Instale os parafusos acessórios E (2) para fixar o televisor com ecrã de plasma aos orifícios laterais de montagem (lado esquerdo e lado direito) do suporte de instalação na parede utilizado para pender o televisor com ecrã de plasma.
- 2 Aperte bem os parafusos da esquerda e direita com a marca vermelha 1 utilizados para fixar e soltar o televisor com ecrã de plasma aos orifícios de montagem respectivos, localizados no lado do suporte de instalação na parede do televisor com ecrã de plasma.
(Binário de aperto: 1,2 a 1,5 N•m)

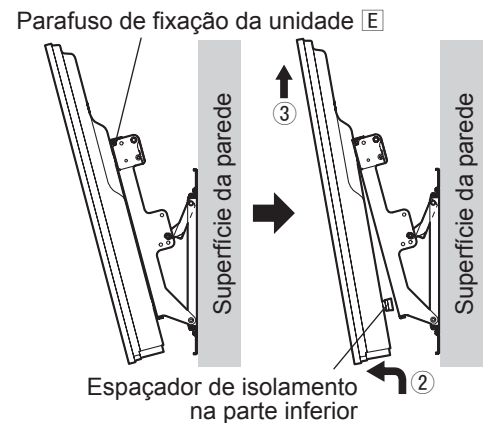
Nota

- Para evitar que o televisor se solte do suporte, os parafusos de fixação respectivos têm de estar bem apertados E no lado direito e esquerdo das suas bases.



8. Como retirar o televisor com ecrã de plasma do suporte de instalação na parede

- 1 Retire os parafusos de fixação E (um do lado direito e outro do lado esquerdo) instalados nos lados do suporte de instalação na parede.
- 2 Levante a parte inferior do televisor com ecrã de plasma e puxe este último para si.
- 3 Depois de soltar os espaçadores de isolamento da parte inferior, levante o televisor, a direito, para cima.



Säkerhetsföreskrifter

Varning

Se till att platsen för installationen har tillräcklig hållfasthet för att tillåta en längre tids användning.

- Om hållfastheten skulle minska med tiden kan det finnas risk för att skärmen faller ner och möjligen orsakar skador.

Monteringsarbete och anslutning av kringutrustning bör endast utföras av en därtill kvalificerad specialist.

- Felaktig montering kan göra att utrustningen faller och orsakar skador.

Lämna alltid en säkerhetsmarginal när du överväger bärkraften i materialet på vilket utrustningen ska monteras.

- Skador om materialet inte kan bära tyngden.

Montera aldrig på ett ställe som inte kan bära den aktuella tyngden.

- Om materialet inte är tillräckligt bärkraftigt kan utrustningen falla.

Försök inte att plocka isär eller modifiera väggupphängningshållaren.

- Annars kan det hända att enheten ramlar ner och skadas eller orsakar personskador.

Observera

Montera inte på ett ställe som kan utsättas för fukt, damm, rök, ånga eller hög värme.

- En sådan miljö kan orsaka fel på plasma-TV:n och skapa risk för brand eller elstötår.

Använd inga andra TV-apparater än de som anges i katalogen.

- I annat fall kan enheten tappas och utsättas för skador eller orsaka personskada.

Arbetet med att montera och demontera plasma-TV:n måste utföras av minst två personer.

- I annat fall kan plasma-TV:n falla och orsaka skador.

Montera inte så att skärmen är vänd uppåt, åt sidan eller nedåt.

- Detta kan leda till överhettning inuti plasma-TV:n och skapa risk för brand.

Försäkra att det förekommer ett friutrymme runt plasma-TV:n på minst 10 cm på ovansidan och höger sida, minst 10 cm på vänster sida, minst 10 cm på undersidan, lämna fritt utrymme mellan bakpanelen och väggen.

- Plasma-TV:n är försedd med luftuttagshål på ovansidan och luftintagshål på undersidan och baksidan. Täck inte över dessa då detta skapar risk för brand.

Montera Plasma-TV:n genom att endast följa de steg som anges i dessa instruktioner. Montera den inte på något annat sätt.

- Annars kan det hända att enheten ramlar ner och skadas eller orsakar personskador.

Montera monteringskruvarna och nätkabeln på ett sådant sätt att de inte kommer i kontakt med insidan av väggen.

- Kontakt med metallobjekt inuti väggen kan resultera i elektrisk stöt.

Använd endast de speciellt anpassade delarna som medföljer.

- Annars kan det hända att Plasma-TV:n ramlar ner från väggen och orsakar skada.

Avlägsna produkter som inte längre ska användas.

- I annat fall kan det inträffa att produkten faller ner, vilket kan resultera i personskador.

Hantering av enheten

- 1) Var noga med att välja lämpligt ställe för montering av TV:n då den kan missfärgas eller deformeras om den utsätts för hög värme i form av solsken, element el.dyl.
- 2) Rengör väggfästet genom att torka av det med en mjuk och torr trasa (t.ex. bomull eller flanel). Om fästet är mycket smutsigt, kan du ta bort smutsen med ett neutralt rengöringsmedel som är utspätt i vatten. Torka sedan rent med en torr trasa. Använd inte bensen, thinner eller möbelpolish då dessa medel kan skada beläggningen. (Se skärmen bruksanvisning för information om hur du rengör skärmen. Om du använder en kemiskt behandlad trasa, ska du följa de instruktioner som medföljde trasan.)
- 3) Fäst inte tejp eller etiketter på produkten. Sådana kan fläcka ner väggupphängningshållaren eller ytan på ledningsskyddet för installation tätt intill väggen. Låt inga gummi- eller plastprodukter vara i långvarig kontakt med ytan. (Det kan orsaka försämring av ytfinishen.)
- 4) Var försiktig under installationen eftersom stötår kan orsaka sprickor i panelen på plasma-TV:n.

Observera:

Denna hållare är endast avsedd för Panasonic plasma-TV-modeller (se sidan 80-83). Användning med andra apparater kan leda till instabilitet som orsakar skador.

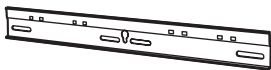
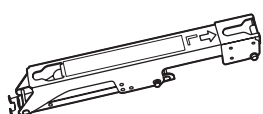
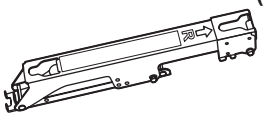
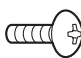
PROFESSIONELL INSTALLATION KRÄVS.
PANASONIC PÅTAR SIG INGET ANSVAR FÖR SKADOR PÅ EGENDOM OCH/ELLER ALLVARLIGA PERSONSKADOR, INKLUSIVE DÖDSFALL, SOM BEROR PÅ OTILLFREDSSTÄLLANDE INSTALLATION ELLER FELAKTIG HANTERING.

Beståndsdelar

[De bilder som visas i den här bruksanvisningen är bara avsedda för illustrativa syften.]

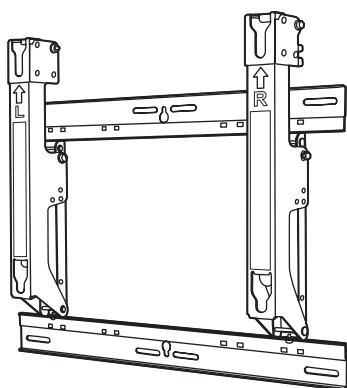
TY-WK4P1RW Vägghängningshållare (vinklingsbar typ)

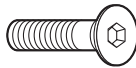
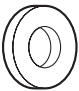

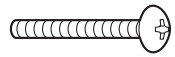


Delar som används för att montera väggfästet

<p>① Basens övre och undre beslag (2)</p> 	<p>② Fästbasens vänstra beslag (1)</p> 	<p>③ Fästbasens högra beslag (1)</p> 	<p>④ Skruvar M5x8 för montering av fixturen (4)</p> 
---	--	---	---

Monteringsdelar

Vy av komplett fixtur



<p>A Försänkta insexskruvar M8x32 (4)</p> 	<p>D Distanser (4)</p> 
<p>B Låsbrickor (4)</p> 	<p>E Fästskruvar M5x50 (2)</p> 
<p>C Isoleringsdistanser (4)</p> 	<p>F Insexnyckel (medföljande verktyg) (1)</p> 

Försiktighetsåtgärder vid montering av vägghängningshållaren

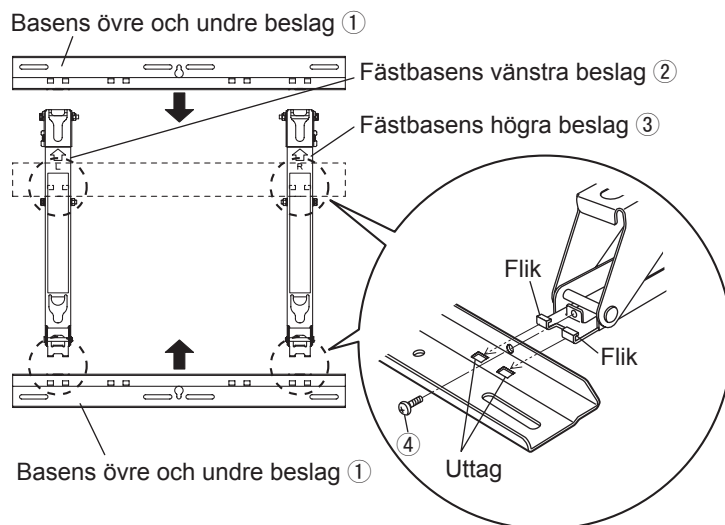
- ◆ Installation och flyttningsjobb måste utföras av utbildade tekniker. Om enheten installeras eller flyttas på ett felaktigt sätt kan skärmen falla ner, vilket kan resultera i personskador.
- ◆ Vägghängningshållaren är avsedd för montering av en plasma-TV:n på en jämn, lodrät vägg. Försök aldrig att montera på andra ytor.
- ◆ Försäkra att plasma-TV:n fungerar på rätt sätt och ej utsetts för fel genom att undvika följande ställen.
 - Nära en sprinkler eller brand/rökdetektor
 - Ställen som utsätts för stötar och vibrationer
 - Nära högspänningsledningar eller kraftutrustning
 - Nära högspänningskablar eller nätaggregat
 - Ställen som utsätts för luftutblås från värmeapparater
 - Där droppar av kondens från en luftkonditioneringsanläggning eller annan enhet kan bildas
- ◆ Utför montering i enlighet med konstruktionen och materialen i väggen.
- ◆ Använd vanliga skruvar med en diameter på 6 mm, avsedda för materialet (trä, metall, betong osv) i väggen där fästet ska monteras.
- ◆ Se till att det finns ett lättillgängligt vägguttag för TV:ns nätkabel.
- ◆ Försäkra god ventilation runt enheten så att den omgivande temperaturen ej överstiger 40 °C. I annat fall kan det uppstå fel på plasma-TV:n beroende på överhettning.
- ◆ Lägg ut en mjuk filt eller tyg på golvet så att varken stället eller golvet får märken eller skrapas under arbetet med ihopsättning och installation.
- ◆ När delarna skruvas ihop bör du se till att skruvarna varken är alltför hårt eller för löst åtdragna.
- ◆ Vidtag tillräckliga åtgärder för att försäkra dig om att du har en säker omgivning när du utför ihopsättnings- och installationsarbetet, och när du rör dig omkring under arbetets gång.
- ◆ Montera inte plasmatelevision under taklampor (spotlights, halogenlampor, od.). Annars kan höljet böjas eller skadas av den höga värme som alstras.

1. Montera väggfästet

Lägg basens övre och undre beslag ① och fästbasens vänstra och högra beslag ② och ③ enligt figuren.

Passa in flikarna på fästbasens vänstra och högra beslag i uttagen (2 till vänster och 2 till höger) i basens övre och undre beslag. Montera delarna med de fyra skruvarna ④ för fixturen.

(Åtdragningsmoment: 1.2 till 1.5 N•m)

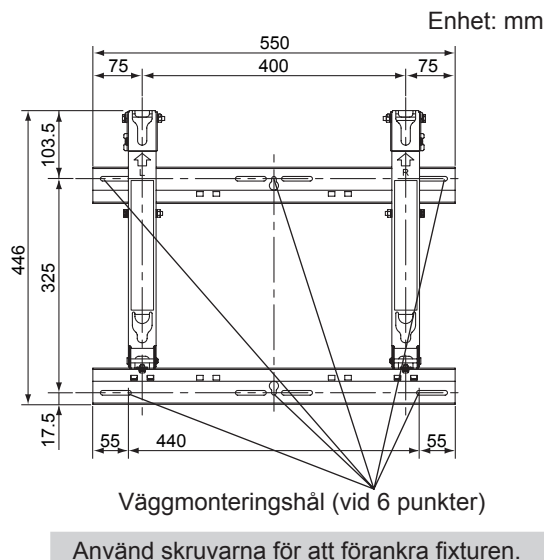


2. Kontrollera monteringsplatsens styrka

- ① Väggfästet väger cirka 3,2 kg. Ta reda på plasmaskärmens vikt i dess bruksanvisning.
- ② Se konturskissen av väggfästet som visas till höger och kontrollera väggens styrka vid de sex monteringspunkterna. Om styrkan hos någon av dessa punkter är för svag, måste lämpliga förstärkningsåtgärder utföras.

Anm.

- Det finns fem förborrade monteringshål i väggfästets övre del och ytterligare fem i dess undre del. Använd reservhålen om väggen består av trä eller annat material som inte ger tillräcklig monteringsstyrka så att lämplig montering inte kan utföras med de sex positionerna som visas till höger. Kom ihåg att beroende på monteringsytans material, kan det bildas sprickor om två monteringskruvar sitter med för kort avstånd.
- Du får endast montera eller placera en plasma-TV på fixturen. Fäst eller placera inte någon annan produkt.
- För information om de dimensioner som gäller när din plasma-TV är monterad, se konturskissen (sidan 80-83).

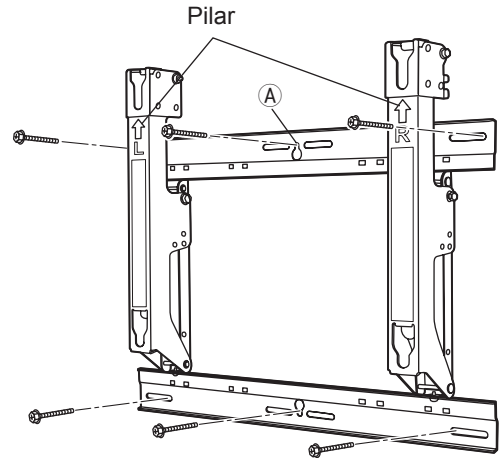


3. Montering av väggfästet på väggen.

- 1 Montera väggfästet så att dess pilar pekar uppåt.
- 2 Börja med att skruva i skruven i det övre centrumhålet A.
- 3 Använd ett vattenpass för att få fixturen vågrät och skruva sedan i de fem återstående skruvarna.

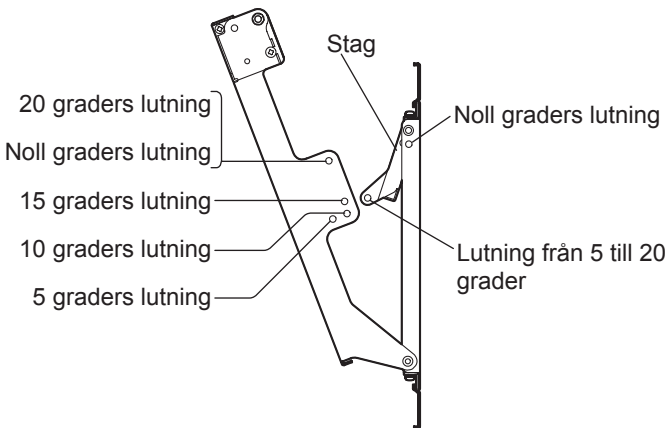
Anm.

- Om det är nödvändigt att förankra bultar eller muttrar i väggen innan väggfästet monteras, t.ex. om det är en betongvägg, ska hålen märkas ut genom att man använder fixturen som mall eller använder konturskissens mått för att beräkna hålens placering. Förankra sedan bultar eller muttrar med en gängstorlek på 6 mm eller motsvarande. När man förankrar bultar måste man se till att deras huvuden sticker ut 10 till 15 mm från väggytan.
- För att montera väggfästet på väggen ska man använda skruvar med en gängstorlek på 6 mm eller motsvarande. Skruvar av rätt dimension och av rätt typ för väggmaterialet finns att köpa på den lokala järnhandeln.
- Montera minst sex skruvar.

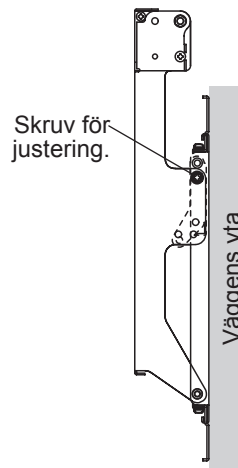


4. Justera väggfästets vinkel.

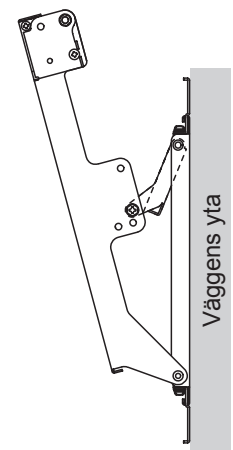
- 1 Väggfästets vinkel kan justeras i fem olika positioner med 5 graders mellanrum från noll till 20 graders lutning. Vid leverans är väggfästet inställt på noll graders lutning. För att ändra denna vinkel, tar du bort skruvarna som används för justering och sedan ändrar du stagets position. (Åtdragningsmoment: 1.2 till 1.5 N·m)



När vinkeln är inställd på Noll graders lutning



När vinkeln är inställd på 15 graders lutning



Anm.

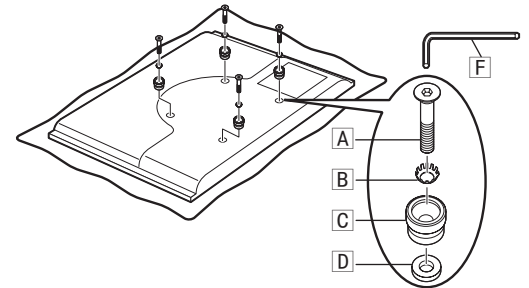
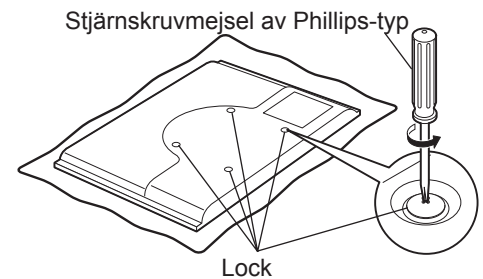
- Vid användning av vissa typer av HDMI-kablar (RP-CDHG80 eller RP-CDHG100) eller PC-kablar, kan det hända att kabeln kommer i kontakt med väggen och orsakar skada på HDMI-anslutningen eller PC-ingången på TV:n. Justera i så fall vinkeln på väggupphängningshållaren så att ingen vikt vilar på kabeln.

5. Montera isoleringsdistanserna på din plasma-TV

- Placera plasmaskärmen med framsidan nedåt på en ren filt eller annat tygstycke som är fritt från smuts och fortsatt enligt instruktionerna nedan.
Var försiktig så att du inte repar eller skadar din plasma-TV.
- Använd en stjärnskruvmejsel (Phillips) för att ta bort locken (4) från plasmaskärmen.

Anm.

- Spara de borttagna locken.
(De måste användas om man senare ska använda ett brodstativ.)
- Enligt figuren till höger monterar du de nödvändiga försänkta insexskruvarna M8x32 **A**, låsbrickorna **B**, isoleringsdistanserna **C** och distanserna **D** (x4 för varje del) med den medföljande insexnyckeln **F** på de platser där locken togs bort.
(Åtdragningsmoment: 3 till 4 N•m)

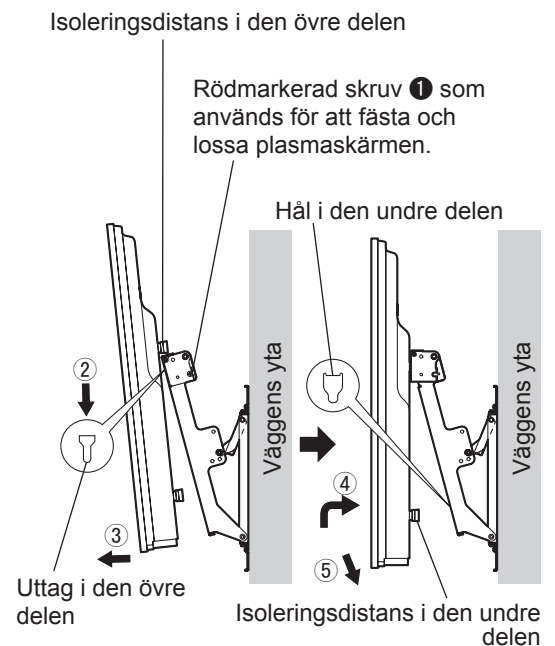


6. Montera plasmaskärmen på väggfästet och anslut den till de andra komponenterna

- Ta bort vänster och höger rödmarkerad skruv ① (en på vänster sida och en på höger sida) som används för att fästa och lossa plasmaskärmen.
- Montera isoleringsdistanserna överst på plasmaskärmen på den övre delen av väggfästet och sänk sedan ned plasmaskärmen.
- Dra plasmaskärmen mot dig enligt figuren och anslut den till de andra komponenterna.
- Efter att anslutningarna utförts, lyfter du upp plasmaskärmen något och för in isoleringsdistanserna i underkanten i hålen i den undre delen av väggfästet.
- Sänk ned plasmaskärmen.

IAKTTAG FÖRSIKTIGHET

- Om plasma skärmen lyfts för högt, kommer dess övre del att lossa från väggfästet.



7. Fästa plasmaskärmen

- 1 Montera tillbehörsskruvarna [E] (2) för att fästa plasmaskärmen i de två monteringshålen på sidorna (vänster och höger) av väggfästet.
- 2 Dra åt vänster och höger rödmarkerad skruv 1 (en till vänster och en till höger) som används för att fästa och lossa plasmaskärmen i de rödmarkerade hålen på väggfästet.
(Åtdragningsmoment: 1,2 till 1,5 N•m)

Anm.

- För att förhindra plasmaskärmen från att lossa från väggfästet, måste dess fästskruvar [E] dras åt ordentligt till vänster och höger.

Rödmarkerad skruv 1 som används för att fästa och lossa plasmaskärmen.

Fästskruv [E]

Hål för den skruv som används för att fästa plasmaskärmen.

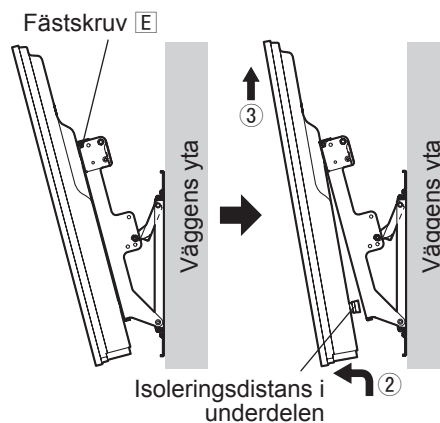
Monteringshål för den rödmarkerade skruv som används för att fästa och lossa plasmaskärmen.

Väggfäste

Väggens yta

8. Hur man tar bort plasmaskärmen från väggfästet

- 1 Ta bort fästskruvarna [E] (en till vänster och en till höger) från sidorna av väggfästet.
- 2 Samtidigt som du lyfter upp plasmaskärmens underkant, drar du den utåt mot dig.
- 3 När isoleringsdistanserna i underdelen har lossats, lyfter du plasmaskärmen rakt uppåt.



Sikkerhedsforholdsregler

Advarsel

Kontroller, at installationsstedet er stærkt nok til at holde til længere tids brug.

- Hvis dets styrke bliver utilstrækkelig efter længere tids brug, kan skærmen falde ned med risiko for tilskadekomst.

Opsætningsarbejde og tilslutning af udvidelsesudstyr må aldrig foretages af andre end en kvalificeret installationsspecialist.

- Ukorrekt opsætning kan medføre, at udstyret falder ned, hvilket kan resultere i tilskadekomst.

Medregn en sikkerhedsfaktor, når du vurderer bærestyrken på det sted, hvor opsætning påtænkes.

- Hvis bærestyrken ikke er tilstrækkelig, kan udstyret falde ned, hvilket kan resultere i tilskadekomst.

Opsæt ikke på et sted, der ikke kan bære vægten.

- Hvis opsætningsstedet ikke har den fornødne styrke, kan udstyret falde ned.

Undlad at skille soklen ad og foretage ændringer af den.

- I modsat fald kan apparatet vælte og lide skade, og tilskadekomst kan blive resultatet.

Forsigtig

Opsæt ikke på steder, hvor der forekommer meget fugt, støv, røg, damp eller varme.

- Dette kan have negativ indflydelse på plasma-tv'et og forårsage brand eller elektrisk stød.

Brug ikke andre tv'er end dem, der er nævnt i kataloget.

- I modsat fald kan enheden tabes og blive beskadiget, ligesom det kan medføre personskader.

Arbejdet med opsætning og nedtagning af plasma-tv'et skal udføres af mindst to personer.

- Plasma-tv'et kan falde ned og forårsage tilskadekomst.

Opsæt ikke med ophænget vendt opad, sidelæns eller vendt på hovedet.

- Dette kan forårsage varmeophobning i plasma-tv'et, hvilket kan resultere i brand.

Sørg for frit rum omkring plasma-tv'et med mindst 10 cm frit rum ovenover og til højre, og mindst 10 cm til venstre, og mindst 10 cm til bunden, sørg for, at der er afstand mellem bagpanelet og væggen.

- Plasma-tv'et er forsynet med udluftningshuller i toppen, og luftindtagningshuller i bunden og på bagsiden.

Tildækning af disse kan resultere i brand.

Installer kun plasma-tv'et ved at udføre de trin, som er specificeret i disse anvisninger. Installation på andre måder må ikke udføres.

- I modsat fald kan apparatet vælte og lide skade, og tilskadekomst kan blive resultatet.

Installer monteringskruerne og netledningen på en sådan måde, at de ikke vil komme i berøring med de indvendige dele af væggen.

- Elektrisk stød kan blive resultatet af kontakt med metaldele inden i væggen.

Til installationen anvendes de specielle, nødvendige dele.

- I modsat fald kan plasma-tv'et falde ned fra væggen med risiko for tilskadekomst til følge.

Fjern produktet, hvis det ikke længere skal anvendes.

- Ellers er der risiko for at produktet falder ned med personskade som resultat.

At bemærke ved håndtering

- 1) Udvis forsigtighed, når De vælger stedet for placering af tv'et, da det kan blive misfarvet eller deformeret som følge af lys eller varme, hvis det placeres, hvor det er udsat for direkte sollys, eller nær et varmeapparat.
- 2) Rengør vægophænget ved at tørre det af med en blød, tør klud (som for eksempel af bomuld eller flannel). Hvis vægophænget er meget snavset, skal snavset fjernes med et neutralt rengøringsmiddel, som er fortyndet med vand. Tør derefter efter med en tør klud. Anvend ikke benzen, fortynder eller møbelvoks, da dette kan bevirke, at overfladebehandlingen skaller af.
(For information om rengøring af displayet, henvises til brugsvejledningen for displayet. Hvis du anvender en kemisk behandlet klud, skal du følge de anvisninger, der følger med kluden).
- 3) Sæt ikke klæbebånd eller stickers på produktet. Disse kan misfarve vægophænget. Tillad ikke længerevarende kontakt med gummi, vinylprodukter og lignende. (Dette De føre til forringelse af produktet).
- 4) Vær forsigtig under installationen, da stød kan forårsage revner i plasma-tv'ets panel.

Forsigtig:

Dette ophæng er kun beregnet til Panasonic plasmafjernsynsmodeller (se side 80-83).

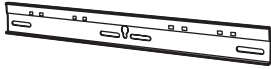
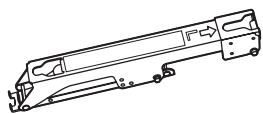
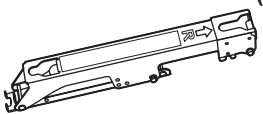
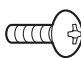
Brug med andre apparater kan medføre ustabilitet, som kan resultere i personskade.

PROFESSIONEL INSTALLATION ER PÅKRÆVET.

PANASONIC PÅTAGER SIG INTET ANSVAR FOR EJENDOMSSKADE OG/ELLER ALVORLIG PERSONSKADE, INKLUSIVE DØD, SOM ER ET RESULTAT AF FEJLAGTIG INSTALLATION ELLER FORKERT HÅNDTERING.

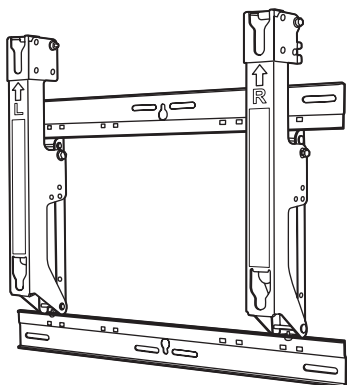
TY-WK4P1RW Vægophæng (justerbar vinkeltype)

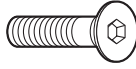
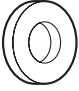

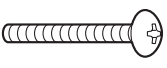
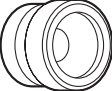

Dele, der anvendes til at samle vægophænget

<p>① Øverste og nederste basis-beslag (2)</p> 	<p>② Venstre beslag til ophæng (1)</p> 	<p>③ Højre beslag til ophæng (1)</p> 	<p>④ M5x8-skruer til samling af anordningen (4)</p> 
---	--	---	---

Dele, som anvendes til installationen

Billede af fuldt samlet anordning



<p>A M8x32 unbraco-undersænksskruer (4)</p> 	<p>D Mellemringe (4)</p> 
<p>B Krumme skiver med tænder (4)</p> 	<p>E M5x50 enheds-befæstelsesskruer (2)</p> 
<p>C Isolationsmellemstykker (4)</p> 	<p>F Unbracnøgle (medfølgende værktøj) (1)</p> 

Forsigtighedsregler for opsætning af vægophæng

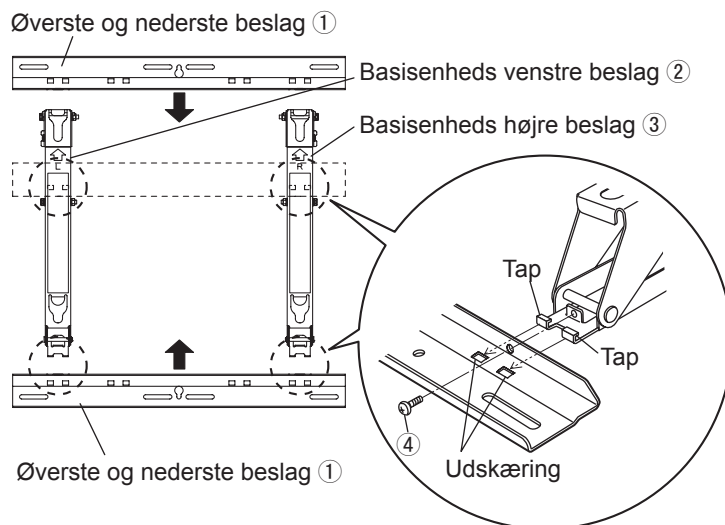
- ◆ Installations- og aftagningsarbejde må kun udføres af en kvalificeret fagmand.
Hvis produktet monteres eller fjernes på forkert vis, kan skærmen falde ned med personskade som resultat.
- ◆ Vægophænget er til brug ved ophængning af plasma-tv'et, på en lodret væg. Opsæt ikke på en anden overfladen end en lodret væg.
- ◆ For at sikre at plasma-tv'et virker korrekt og forebygge problemer, må der ikke installeres på følgende lokaliteter.
 - Nær sprinklere eller brand- og røgdetektorer
 - Hvor der er risiko for udsættelse for vibrationer eller stød
 - Nær højspændingsledninger eller dynamiske strømforsyninger
 - Tæt på højspændingsledninger eller dynamiske strømkilder
 - Steder udsat for luftstrøm fra opvarmningsinstallationer
 - Hvor der kan dannes kondensdråber fra et klimaanlæg eller et andet apparat
- ◆ Foretag opsætning, idet der anvendes teknikker, der passer til strukturen og materialerne på opsætningsstedet.
- ◆ Anvend M6 skruer, der fås i handlen og som er egnede til det materiale, som væggen overflade består af (træ, stålramme, beton, osv.), når ophænget skal sættes op på væggen.
- ◆ Netledningsstikket skal sættes i en stikkontakt, der er nem at komme til.
- ◆ Sørg for god luftventilation, således at udstyrets omgivelsestemperatur ikke overstiger 40 °C. Negligeres dette, kan det medføre varmeophobning i plasma-tv'et, hvilket vil føre til fejlfunktion.
- ◆ Læg et blødt tæppe eller et stykke stof på gulvet, således at plasma-tv'et og gulvet ikke får mærker eller ridser under samlingen og installationsarbejdet.
- ◆ Når De skruer delene fast, skal De sørge for, at skruerne hverken er utilstrækkeligt strammet eller strammet for meget.
- ◆ Vær påpasselig med at opretholde sikkerheden omkring Dem, når De udfører samlings- og installationsarbejdet, eller når De bevæger Dem omkring under arbejdet.
- ◆ Installer ikke plasma-tv under loftslamper (spotlys, halogenlamper etc.). Dette kan bevirke, at kabinettet bliver skævt eller på anden måde lider skade på grund af den stærke varme.

1. Samling af vægophænget

Anbring det øverste og nederste basisbeslag ① og de venstre og højre basisbeslag ② og ③ som vist på illustrationen.

Sæt fremspringene (tapperne) på basisenhedens venstre og højre beslag ind i de udskæringerne (2 til venstre og 2 til højre) ind i de øverste og nederste beslag, og fastgør delene ved hjælp af de fire skruer ④ til samling af anordningen.

(Strammingsmoment: 1.2 til 1.5 N•m)

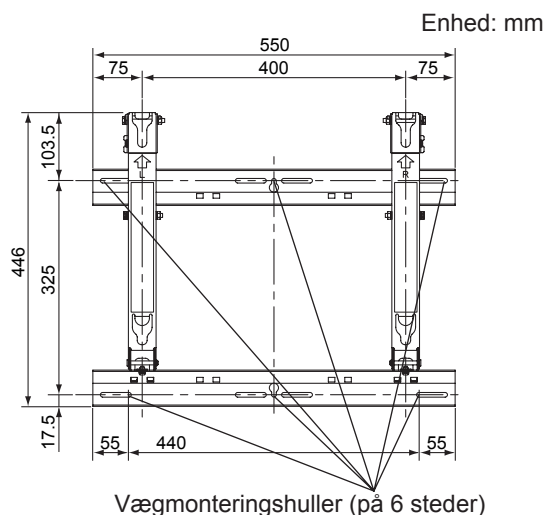


2. Bekræftelse af installationsstedets styrke

- ① Vægophænget vejer omkring 3,2 kg. Se brugsvejledningen for plasma-tv'et og kontroller vægten af det plasma-tv', som skal anbringes i vægophænget.
- ② Se tegningen af vægophænget, som vises til højre, og kontroller væggen styrke ved de seks viste installationspunkter. Sørg for tilstrækkelig forstærkning, hvis styrken ved et eller flere af disse punkter er utilstrækkelig.

Bemærk:

- Der er fem forudborede monteringshuller i undersiden af vægophænget. Anvend de ekstra huller, hvis træ eller andre materialer anvendes til væggen og en tilstrækkelig monteringsstyrke ikke kan opnås ved at fastgøre anordningen ved de seks positioner, som vises til højre.
- Vær dog opmærksom på, at afhængigt af hvilke materialer monteringsoverfladen er lavet af, kan der opstå revner i overfladen, hvis skruberne anvendes i positioner, der sidder for tæt ved hinanden.
- Monter eller anbring kun plasma-tv'et på anordningen. Andre apparater må ikke anbringes på den.
- For detaljer om de anvendte mål, når plasma-tv'et monteres, henviser vi til tegningen (på side 80-83).



Vægmonteringshuller (på 6 steder)

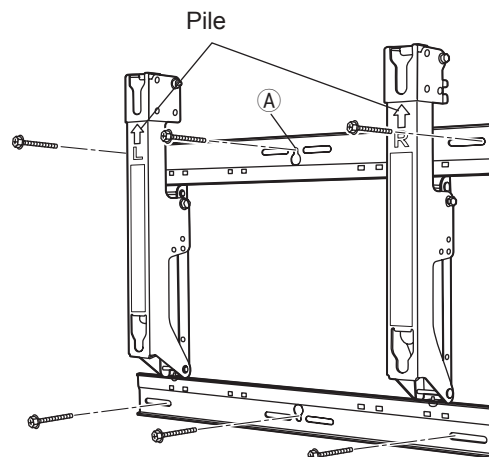
Anvend altid skruberne til at fastgøre anordningen.

3. Installation af vægophænget på væggen

- ① Installer vægophænget således, at dets pilemarkeringer viser opad.
- ② Fastgør først og fremmest skruen i det øverste midterhul (A).
- ③ Anvend et vaterpas for at sikre, at anordningen ikke hælder til en af siderne, og stram derefter skrueene i de fem tilbageværende huller.

Bemærk:

- Hvis det er nødvendigt at indlejre bolte eller møtrikker i væggen inden installationen af vægophænget fordi væggen er lavet af beton, for eksempel, skal hullernes positioner bestemmes ved at man anbringer den faktiske vægophængsplan på plads på væggen eller ved at man beregner hulpositionerne ud fra tegningen og derefter indlejrer bolte og møtrikker med en nominal diameter på 6 mm eller tilsvarende.
- Når du indlejrer boltene, skal du sikre dig, at deres hoveder stikker 10 mm til 15 mm ud fra vægfladen.
- Til installation af vægophænget på væggen skal der anvendes skrueer med en nominal diameter på 6 mm eller tilsvarende, som kan fås hos isenkræmmeren, og som er velegnede til materialet på væggenes installationssted.
- Fastgør skrueene på mindst seks steder.

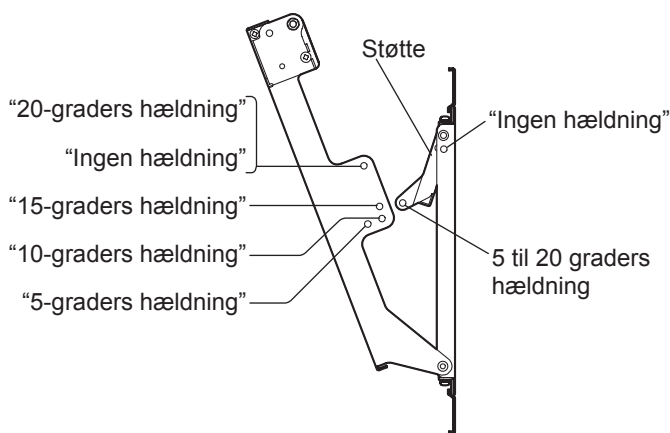


4. Indstilling af vægophængets vinkel.

- ① Vægophængsplanens vinkel kan indstilles i 5-graders trin til en ud af fem positioner, som rangerer fra "Ingen hældning" til "20-graders hældning".

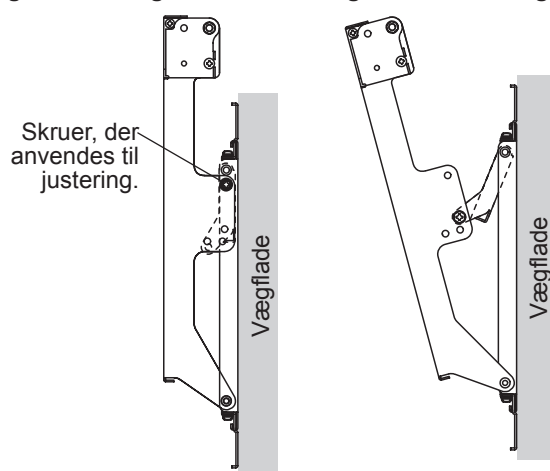
Når vægophænget leveres fra fabrikken, er vinklen indstillet til "ingen hældning". For at ændre denne vinkel, skal du fjerne de skrueer, der anvendes til justering og ændre støttens stilling.

(Strammingsmoment: 1.2 til 1.5 N·m)



Når vinklen er indstillet til "Ingen hældning"

Når vinklen er indstillet til "15-graders hældning"



Bemærk:

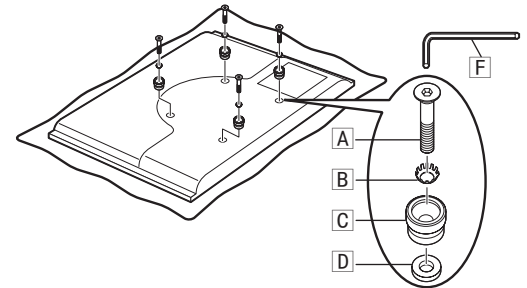
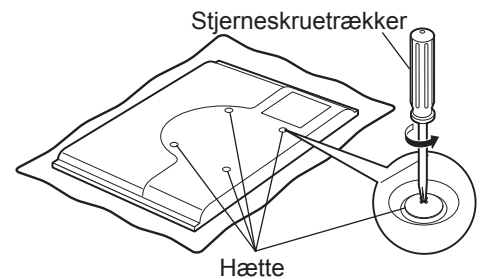
- Når visse typer HDMI-kabler (RP-CDHG80 eller RP-CDHG100) eller PC-kabler anvendes, kan kablet komme i berøring med væggen og øve skade på HDMI-terminalen eller PC-indgangsterminalen på fjernsynet. I et sådant tilfælde skal man justere vinklen på vægophænget, således at kablet ikke udsættes for nogen vægt.

5. Installation af isolationsmellemstykkerne på plasma-tv'et

- 1 Anbring plasma-tv'et med skærmen nedad på et rent tæppe eller et lignende stykke stof, som er fri for snavs og fremmedlegemer, som vist herunder.
Vær omhyggelig med at forhindre ridser eller beskadigelse, hvis plasma-tv'et har fremspringende dele.
- 2 Anvend en stjerneskrueetrækker til at fjerne hætteerne (4) fra plasma-tv'et.

Bemærk:

- Opbevar de aftagne hætte på et sted, hvor de ikke bortkommer. (De skal anvendes igen, hvis der anvendes et separat installationsstativ).
- 3 Som vist på illustrationen til højre, installeres tilbehørsdelene M8×32 unbracon-undersænkskrueerne **A**, de konkave skiver med tænder **B**, isolationsmellemstykkerne **C** og mellemstykkerne **D** (x4 for hver del) med brug af den medfølgende unbraconøgle **F** på de steder, hvor hætteerne sad. (Strammingsmoment: 3 til 4 N·m)

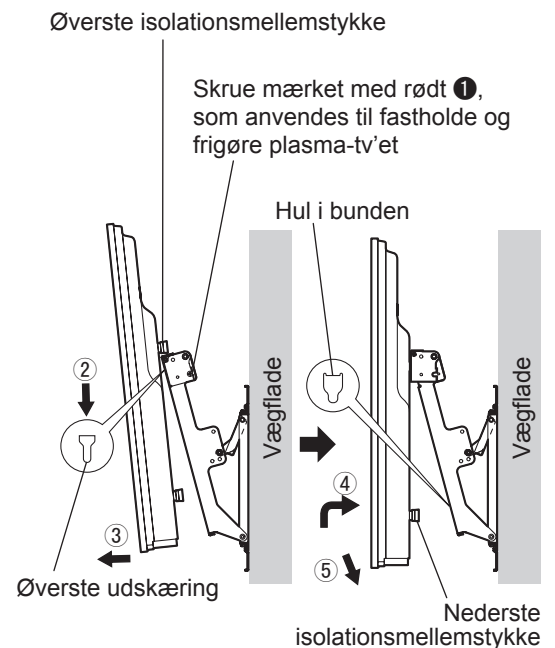


6. Montering af plasma-tv'et på vægophænget og tilslutning af det til de andre komponenter

- 1 Fjern de venstre og højre med rødt afmærkede skruer ❶ (en til venstre og en til højre), som anvendes til at fastholde og frigøre plasma-tv'et.
- 2 Anbring isolationsmellemstykkerne oven på plasma-tv'et på udskæringerne øverst på vægophænget, og sænk plasma-tv'et.
- 3 Træk plasma-tv'et mod dig som vist på illustrationen til højre, og slut den til de andre komponenter.
- 4 Løft, når tilslutningerne er udført, plasma-tv'et en smule og sæt isolationsmellemstykkerne ved undersiden ind i hullerne på den nederste del af vægophænget.
- 5 Sænk nu plasma-tv'et

FORSIGTIG

- Hvis plasma-tv'et løftes for meget, vil dets øverste del gå af vægophænget.

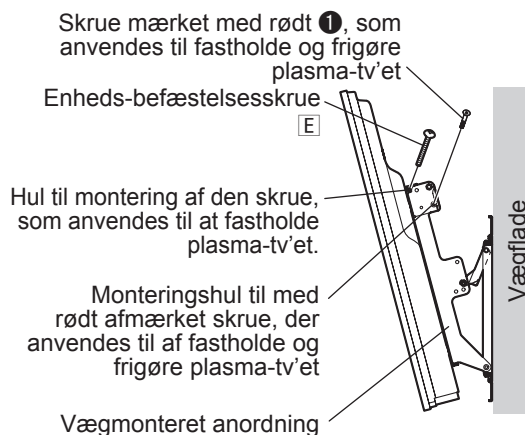


7. Fastgøring af plasma-tv'et

- 1 Installer skrueerne **E** (2) (ekstratilbehør) til fastgøring af plasma-tv'et i skrue monteringshullerne på siderne (venstre og højre) på det vægophæng, som anvendes til at fastholde plasma-tv'et.
- 2 Stram forsvarligt de venstre og højre med rødt afmærkede skrue **1** (en til venstre og en til højre), som anvendes til at fastholde og frigøre plasma-tv'et i de med rødt afmærkede skrue monteringshuller på siden af det vægophæng, som anvendes til at fastholde og frigøre plasma-tv'et.
(Strammingsmoment: 1,2 til 1,5 N·m)

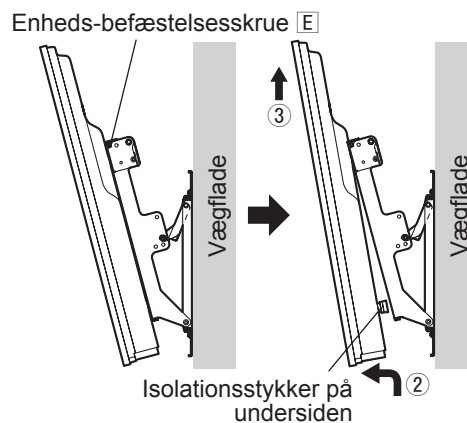
Bemærk:

- For at forhindre, at plasma-tv'et går løs fra vægophængget, skal enheds-befæstelsesskrue **E** til venstre og højre strammes godt og så de går helt i bund.



8. Hvordan plasma-tv'et tages af vægophænget

- 1 Fjern enheds-befæstelsesskrue **E** (en til venstre og en til højre), som er installeret på siderne af vægophænget.
- 2 Løft undersiden af plasma-tv'et og træk samtidigt plasma-tv'et mod dig.
- 3 Løft plasma-tv'et lige op, når isolationsstykkerne på undersiden er frigjort.



Меры предосторожности

ПРЕДУПРЕЖДЕНИЕ

Убедитесь в том, что место установки достаточно прочное, чтобы выдержать продолжительное использование.

- Если в результате продолжительного использования прочность станет недостаточной, дисплей может опрокинуться, что может привести к травме.

Не допускайте выполнения установочных работ и удлинения подсоединенного оборудования лицами, не являющимися квалифицированными специалистами по установке.

- Неправильная установка может привести к опрокидыванию оборудования, что может привести к травме.

При учете прочности предлагаемой позиции установки принимайте во внимание коэффициенты надежности.

- Недостаточная прочность приведет к опрокидыванию оборудования, что может привести к травме.

Не выполняйте установку в местах, которые не способны выдерживать нагрузку.

- Если прочность в месте установки станет недостаточной, оборудование может упасть.

Не разбирайте и не переделывайте кронштейн для крепления на стену.

- Это может вызвать поломку или падение дисплея, а также привести к травмам.

ПРЕДОСТЕРЕЖЕНИЕ

Не используйте телевизоры и дисплеи, отличающиеся от приведенных в каталоге.

- В противном случае аппарат может упасть и повредиться, и это может привести к травме.

Не выполняйте установку в местах, подверженных воздействию влажности, пыли, дыма, пара или нагревания.

- Это может оказать отрицательное влияние на плазменный телевизор и привести к возгоранию или поражению электрическим током.

Работы по установке и удалению плазменного телевизора должны выполняться, по крайней мере, вдвоем.

- Плазменный телевизор может упасть и вызвать травмы.

Не устанавливайте экраном, обращенным вверх, в сторону или вниз.

- Это может привести к накоплению тепла внутри плазменного телевизора, что может вызвать пожар.

Обеспечьте вокруг плазменного телевизора свободное пространство, по крайней мере, 10 см сверху, с боковых сторон и снизу и оставьте свободное пространство между задней панелью и стеной.

- Сверху плазменного телевизора находятся входные отверстия для воздуха, а снизу и сзади находятся выходные отверстия для воздуха.

Установите плазменного телевизора, выполнив только те шаги, которые указаны в этой Инструкции:

Не устанавливайте телевизор никаким другим способом.

- Это может вызвать неблагоприятное воздействие на функционирование плазменного дисплея, что может привести к пожару или поражению электрическим током.

Установите крепежные винты и шнур питания таким образом, чтобы они не контактировали с внутренними частями стены.

- В результате контакта с какими-либо металлическими предметами внутри стены может произойти поражение электрическим током.

Для выполнения установки используйте специальные компоненты.

- В противном случае плазменного телевизора может упасть со стены, что возможно приведет к травме.

Удалите изделие, которое больше не будет использоваться.

- В противном случае изделие может упасть, и это может привести к травмам.

Правила обращения

- 1) При выборе места для телевизора необходимо соблюдать осторожность, потому что он может изменить цвет или деформироваться из-за воздействия света или тепла, если он расположен под прямым солнечным светом или около обогревателя.
- 2) Для очистки протирайте кронштейн для крепления на стену мягкой сухой тканью (например, хлопковой или фланелевой). Если кронштейн сильно загрязнен, удалите загрязнение с помощью нейтрального моющего средства, растворенного в воде, а затем протрите начисто сухой тканью. Не используйте бензин, растворитель или мебельную вакуу, так как они могут повредить покрытие.
(Относительно информации о чистке дисплея см. инструкцию по эксплуатации дисплея. При использовании химически обработанной ткани следуйте инструкции, поставляемой с тканью.)
- 3) Не прикрепляйте на изделие клейкую ленту или наклейки. Такие действия могут привести к загрязнению поверхности кронштейна для крепления на стену. Не допускайте длительный контакт с резиной, изделиями из винила или с чем-то подобным. (Такие действия приведут к повреждению.)
- 4) Соблюдайте осторожность во время установки, так как удары могут привести к 'растрескиванию панелей' корпуса плазменного телевизора.

ПРЕДУПРЕЖДЕНИЕ


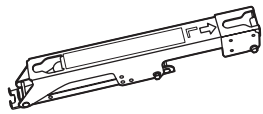
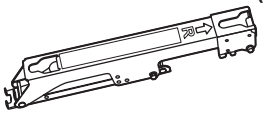
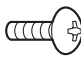
Этот кронштейн предназначен только для моделей плазменных телевизоров Panasonic (См. стр. 80-83). Использование с другими аппаратами может привести к неустойчивости, что возможно приведет к травме.

ТРЕБУЕТСЯ ПРОФЕССИОНАЛЬНАЯ УСТАНОВКА.

КОМПАНИЯ PANASONIC НЕ НЕСЕТ ОТВЕТСТВЕННОСТИ НИ ЗА КАКОЮ УЩЕРБ И/ИЛИ СЕРЬЕЗНЫЕ ТРАВМЫ, ВКЛЮЧАЯ СМЕРТЬ, ПРОИЗОШЕДШИЕ ВСЛЕДСТВИЕ НЕПРАВИЛЬНОЙ УСТАНОВКИ ИЛИ НЕПРАВИЛЬНОГО ОБРАЩЕНИЯ.

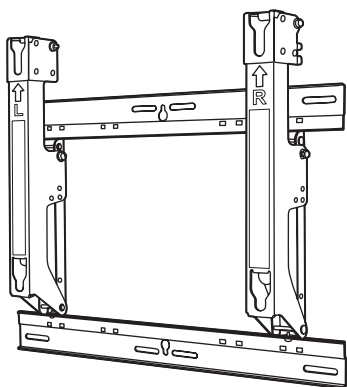
Кронштейн для крепления на стену TY-WK4P1RW (Модель с регулируемым углом)

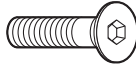
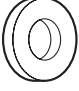

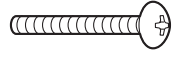
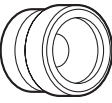

Детали, используемые для сборки кронштейна для крепления на стену

<p>① Верхнее и нижнее крепление основания (2)</p> 	<p>② Левое крепление основания кронштейна (1)</p> 	<p>③ Правое крепление основания кронштейна (1)</p> 	<p>④ Винты M5x8 для сборки крепежного приспособления (4)</p> 
---	---	---	--

Детали, используемые для установки

Вид полностью собранного крепежного приспособления



<p>A Винты с шестигранной потайной головкой M8x32 (4)</p> 	<p>D Прокладки (4)</p> 
<p>B Выпуклые зубчатые шайбы (4)</p> 	<p>E Винты для крепления аппарата M5x50 (2)</p> 
<p>C Изоляционные прокладки (4)</p> 	<p>F Торцовый ключ (входит в комплект поставки) (1)</p> 

Меры предосторожности при монтаже кронштейна для крепления на стену

- ♦ Работы по установке и удалению должны выполняться только квалифицированным специалистом. Если аппарат установлен неправильно, дисплей может упасть, и это может привести к травме.
- ♦ Кронштейн для крепления на стену предназначен для установки плазменного телевизора на вертикальную стену с целью просмотра. Не устанавливайте на любую другую поверхность, отличную от вертикальной стены.
- ♦ Чтобы обеспечить правильное функционирование плазменного телевизора и избежать проблем, не устанавливайте его в следующих местах.
 - Около разбрызгивателей системы пожаротушения и/или детекторов возгорания/задымления
 - Где есть опасность воздействия вибрации или ударов
 - Около проводов высокого напряжения или динамических источников питания
 - Около источников магнитных полей, тепла, водяного пара или копоти
 - Местах, подверженных воздействию потока воздуха из нагревательных приборов
 - Где могут формироваться капли конденсата от воздушных кондиционеров или других устройств
- ♦ Выполняйте установку, используя технологии, подходящие для структуры и материалов места установки.
- ♦ Используйте имеющиеся в продаже винты номинальным диаметром 6 мм, подходящие для материала стены (дерево, стальной каркас, бетон и т.д.), в котором будет закреплен кронштейн.
- ♦ Используйте для штепсельной вилки шнура питания телевизора легкодоступную сетевую розетку.
- ♦ Обеспечьте хорошую вентиляцию, чтобы внутренняя температура оборудования не превышала 40 °C. В противном случае это может привести к накоплению тепла внутри плазменного телевизора, что может вызвать неисправность.
- ♦ Расстелите мягкое одеяло или ткань на полу так, чтобы плазменный телевизор и пол не испачкались и не поцарапались во время работ по сборке и установке.
- ♦ Во время привинчивания деталей следите за тем, чтобы винты не были затянуты недостаточно и не были затянуты чрезмерно.
- ♦ Примите достаточные меры, чтобы обеспечить безопасность вокруг Вас при выполнении работ по сборке и установке или во время перемещения в процессе выполнения работы.
- ♦ Не устанавливайте этот плазменный телевизор непосредственно под потолочными светильниками (например, под источниками местного освещения, прожекторного освещения или галогенными лампами), которые обычно выделяют много тепла. Такие действия могут привести к деформации или повреждению пластмассовых деталей корпуса.

Процедура монтажа

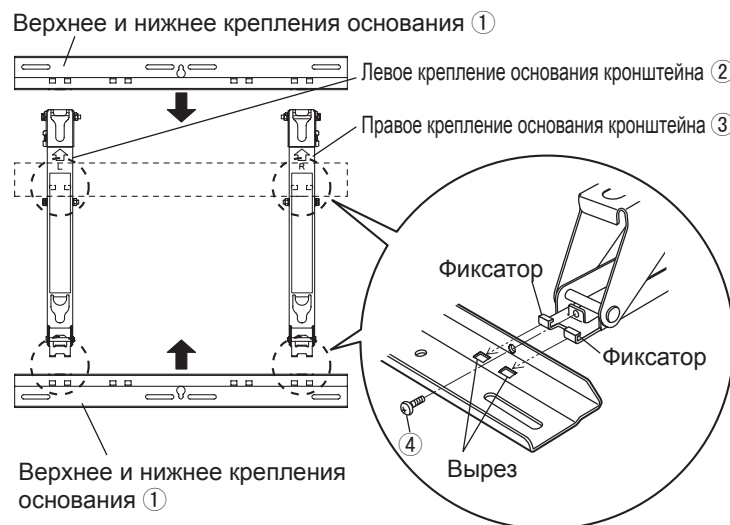
[Ни в коем случае не используйте для установки методы, отличные от указанного.]

1. Сборка кронштейна для крепления на стену

Положите верхнее и нижнее крепления основания ① и левое и правое крепления основания кронштейна ② и ③, как показано на рисунке.

Совместите выступы (фиксаторы) на левом и правом креплениях основания кронштейна с вырезами (2 слева и 2 справа) на верхнем и нижнем креплениях основания и закрепите детали, используя четыре винта ④ для сборки крепежного приспособления.

(Крутящий момент: от 1.2 до 1.5 Н•м)

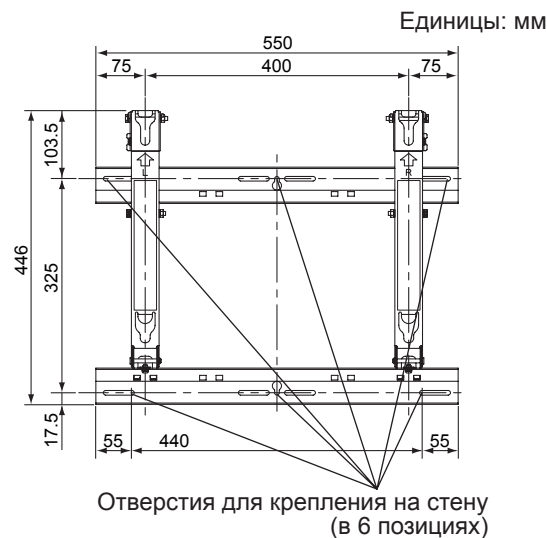


2. Проверка прочности позиции установки

- ① Кронштейн для крепления на стену весит приблизительно 3,2 кг. Обратитесь к инструкции по эксплуатации плазменного телевизора и уточните вес плазменного телевизора, который будет устанавливаться на кронштейн для крепления на стену.
- ② Обратитесь к приведенному справа габаритному чертежу кронштейна для крепления на стену и проверьте прочность стены в шести указанных местах установки. Если прочность стены в каком-либо из этих мест недостаточна, обеспечьте достаточное усиление.

Примечания

- Имеются пять предварительно просверленных отверстий для крепления сверху и еще пять снизу кронштейна для крепления на стену. Используйте предусмотренные запасные отверстия, если стена изготовлена из дерева или другого материала, и невозможно обеспечить достаточный уровень прочности при закреплении крепежного приспособления в шести указанных справа местах. Однако имейте в виду, что в зависимости от материала, из которого изготовлена поверхность крепления, при использовании винтов в слишком близко расположенных местах возможно возникновение трещин на поверхности.
- Закрепляйте или располагайте на крепежном приспособлении только плазменный телевизор: Не устанавливайте и не размещайте никакие другие изделия.
- Относительно подробностей о размерах, применяемых при креплении плазменного телевизора, обращайтесь к габаритному чертежу (на стр. 80-83).



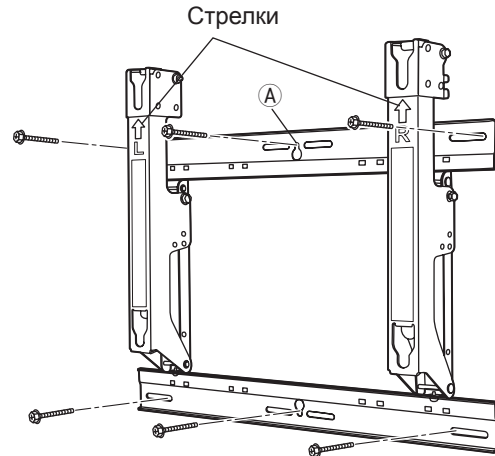
Обязательно используйте винты для закрепления крепежного приспособления.

3. Установка на стену кронштейна для крепления на стену

- ① Установите кронштейн для крепления на стену так, чтобы нанесенные на нем стрелки указывали вверх.
- ② Прежде всего, закрепите винт в центральном верхнем отверстии (А).
- ③ Используйте уровень, чтобы убедиться в том, крепежное приспособление не наклонено с одной стороны, а затем закрепите винты в пяти оставшихся отверстиях.

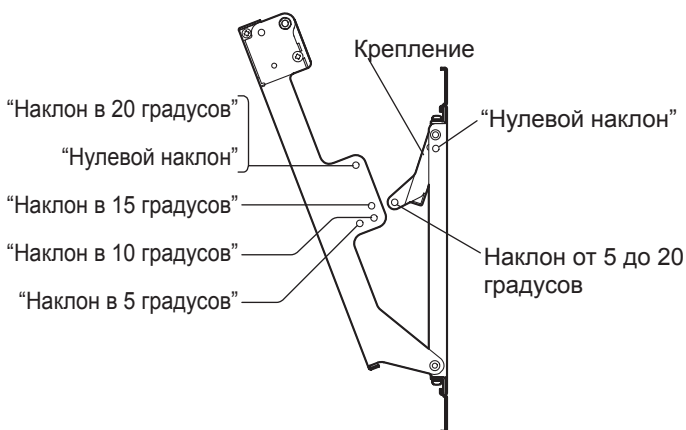
Примечания

- Если необходимо заделать в стену винты или гайки до установки кронштейна для крепления на стену, например, если стена сделана из бетона, укажите места отверстий, поместив на место крепления на стене реальное крепежное приспособление для крепления на стену, или вычислив места для отверстий по габаритному чертежу, а затем заделайте винты и гайки с номинальным диаметром 6 см или эквивалентные им.
При заделывании болтов проверьте, чтобы их головки выступали из поверхности стены на 10-15 мм.
- Для установки на стену кронштейна для крепления на стену используйте винты с номинальным диаметром 6 мм или эквивалентные им, приобретая их в магазине скобяных изделий, и подходящие для материала стены в области установки.
- Прикрепите винты как минимум в шести местах.

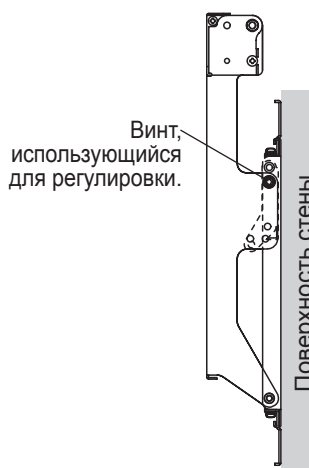


4. Регулировка угла кронштейна для крепления на стену

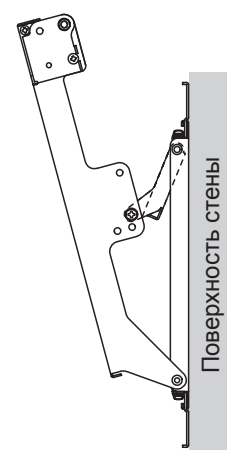
- ① Угол этого крепежного устройства для крепления на стену может быть установлен с шагом в 5 градусов в одно из пяти положений, от положения “нулевого наклона” до “наклона в 20 градусов.”
При отправке с завода-изготовителя угол кронштейна для крепления на стену установлен на “нулевой наклон”. Чтобы поменять этот угол, удалите винты, использующиеся для регулировки, и измените установочное положение крепления.
(Крутящий момент: от 1.2 до 1.5 Н*м)



При установке угла на “нулевой наклон”



При установке угла на “наклон в 15 градусов”



Примечание

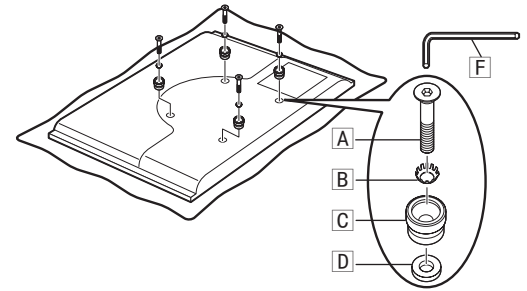
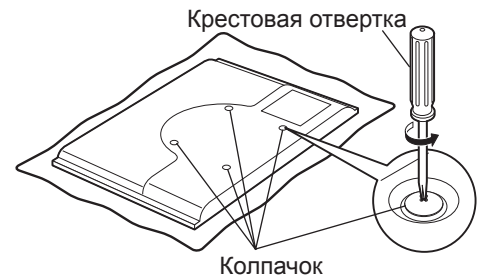
- При использовании некоторых типов кабелей HDMI (RP-CDHG80 или RP-CDHG100) или кабелей ПК, кабель может касаться стены и вызывать повреждение разъема HDMI или входного разъема ПК на телевизоре. В этом случае подрегулируйте угол кронштейна для настенного крепления так, чтобы на кабель не прилагалось давление.

5. Прикрепление изоляционных прокладок к плазменному телевизору

- 1 Положите плазменный телевизор экраном вниз на чистое одеяло или подобную мягкую ткань, свободную от загрязнений и сора, и следуйте описанной ниже процедуре. Примите меры, чтобы не допустить царапин или повреждений в случае наличия у плазменного телевизора выступающих частей.
- 2 Используйте крестовую отвертку, чтобы удалить колпачки (4) с плазменного телевизора.

Примечание

- Сохраните снятые колпачки в надежном месте. (Они понадобятся при использовании отдельной установочной стойки.)
- 3 В соответствии с рисунком справа установите дополнительные винты с шестигранной потайной головкой M8×32 **A**, выпуклые зубчатые шайбы **B**, изоляционные прокладки **C** и прокладке **D** (x4 для каждой детали), используя прилагаемый торцовый ключ **F**, в места, в которых ранее были установлены колпачки. (Крутящий момент: от 3 до 4 Н•м)

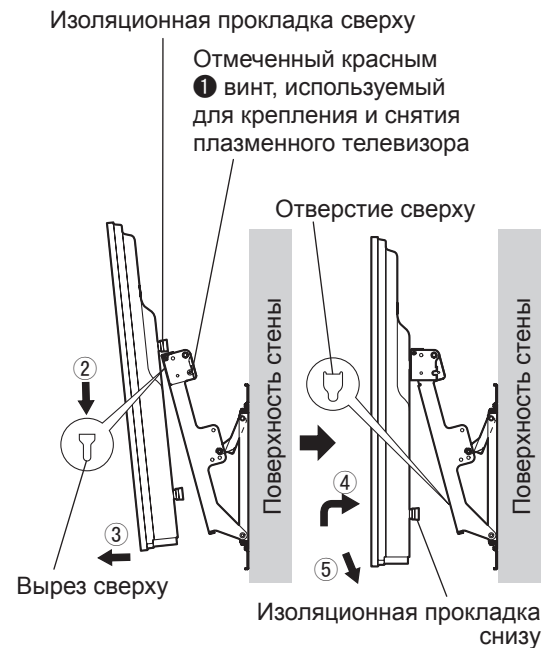


6. Прикрепление плазменного телевизора к кронштейну для монтажа на стену и подсоединение других компонентов

- 1 Удалите левый и правый винты, отмеченные красным ❶ (один слева и один справа), использовавшиеся для крепления, и снимите плазменный телевизор.
- 2 Вставьте изоляционные прокладки на верхней части плазменного телевизора в вырезы на верхней части кронштейна для крепления на стену и сдвиньте плазменный телевизор вниз.
- 3 Потяните корпус плазменного телевизора на себя, как показано на рисунке справа, и подсоедините его к другим компонентам.
- 4 После завершения подсоединений слегка поднимите плазменный телевизор и вставьте изоляционные прокладки снизу в отверстия в нижней части кронштейна для крепления на стену.
- 5 Теперь опустите плазменный телевизор.

ПРЕДОСТЕРЕЖЕНИЕ

- Если плазменный телевизор поднять слишком сильно, его верхняя часть станет выступать из кронштейна для крепления на стену.



7. Закрепление плазменного телевизора

- 1 Вставьте дополнительные винты [E] (2) для крепления плазменного телевизора в отверстия для крепежных винтов на боковых сторонах (левой и правой) кронштейна для крепления на стену, используемых для закрепления плазменного телевизора.
- 2 Надежно закрепите левый и правый винты, отмеченные красным 1 (один слева и один справа), использовав их для крепления и снятия плазменного телевизора, в отмеченные красным отверстия для крепежных винтов на боковой стороне кронштейна для крепления на стену, используемые для крепления и снятия плазменного телевизора.
(Крутящий момент: от 1,2 до 1,5 Н*м)

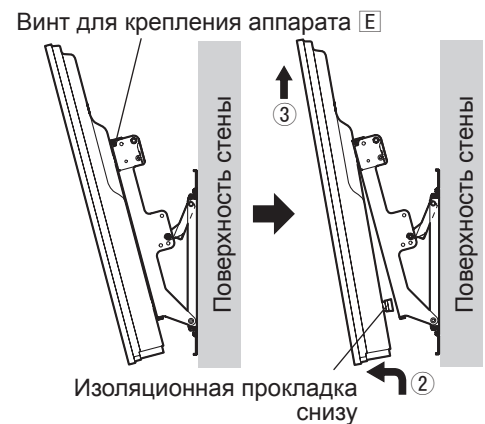
Примечание

- Для предупреждения того, чтобы плазменный телевизор выступал за пределы кронштейна для крепления на стену, необходимо надежно, до упора, завинтить винты для крепления аппарата [E] слева и справа.



8. Как снять плазменный телевизор с кронштейна для крепления на стену

- 1 Удалите винты для крепления аппарата [E] (один слева и один справа), установленные на боковых сторонах кронштейна для крепления на стену.
- 2 Поднимая нижнюю часть плазменного телевизора, потяните плазменный телевизор на себя.
- 3 После того как снизу будут сняты изоляционные прокладки, поднимите плазменный телевизор прямо вверх.



Запобіжні заходи

ПОПЕРЕДЖЕННЯ

Переконайтеся, що місце, де монтуватиметься виріб, достатньо міцне для забезпечення тривалого використання кріплення.

- Якщо з часом міцність стане недостатньою, дисплей може впасти і завдати травми.

Усі роботи з монтажу і підключення з'єднувального обладнання повинен виконувати кваліфікований спеціаліст.

- Неналежно виконаний монтаж може спричинити падіння виробу і призвести до травмування.

Під час розрахунку міцності вибраного місця для монтажу враховуйте коефіцієнт безпеки.

- Якщо міцність монтажу буде недостатньою, виріб може впасти і завдати травми.

Не встановлюйте виріб у місцях, непридатних для витримування навантажень.

- Якщо місце для монтажу недостатньо міцне, виріб може впасти.

Не розбирайте і не модифікуйте настінний кронштейн.

- Це може призвести до пошкодження або падіння дисплея і отримання внаслідок цього травми.

ЗАСТЕРЕЖЕННЯ

Використовуйте лише ті телевізори та дисплеї, які наведені у каталозі.

- Інакше виріб може впасти і пошкодитися, водночас спричиняючи ризик отримання травм.

Не встановлюйте виріб у місцях із підвищеною вологістю, скупченням пилу, димом, водяною парою або високою температурою.

- Ці чинники можуть негативно впливати на роботу плазмового телевізора, а також стати причиною пожежі чи ураження електричним струмом.

Усі роботи зі встановлення та демонтажу плазмового телевізора мають виконуватися щонайменше двома людьми.

- Інакше виріб може впасти і завдати травми.

Не встановлюйте плазмовий дисплей лицьовою стороною вгору, на боці або нижньою стороною догори.

- Це може спричинити скупчення тепла всередині телевізора, внаслідок чого може виникнути пожежа.

Встановлюючи виріб, залиште навколо нього вільний простір: щонайменше 10 см згори та справа, 10 см з лівого боку, 10 см знизу, залиште вільний простір між задньою панеллю та стіною.

- Плазмовий телевізор має отвори для продуву повітря зверху та отвори для всмоктування повітря знизу та позаду.

Для установки плазмового телевізора використовуйте лише ті дії, які наведені в цих інструкціях: не встановлюйте пристрій у жодний інший спосіб.

- Недотримання цієї вимоги може призвести до падіння та пошкодження пристрою, а також травмування людини.

Закріпіть монтажні гвинти і кабель живлення таким чином, щоб вони не торкалися внутрішніх деталей стіни.

- Недотримання цієї вимоги може призвести до ураження електричним струмом від контакту з будь-якими металевими предметами всередині стіни.

Використовуйте для установки спеціальні складові частини.

- Недотримання цієї вимоги може призвести до падіння плазмового телевізора зі стіни з можливим травмуванням людини.

Демонтуйте виріб, котрий надалі не використовуватиметься.

- Інакше виріб може впасти та завдати травми.

Рекомендації стосовно поводження

- 1) Уважно вибирайте місце для встановлення телевізора, оскільки внаслідок дії світла або тепла (у разі розміщення поблизу нагрівальних приладів або під прямим сонячним промінням) він може втратити колір чи деформуватись.
- 2) Чистьте настінний кронштейн м'якою сухою тканиною (наприклад бавовняною або фланелевою). Якщо кронштейн сильно забруднено, змийте бруд водним розчином нейтрального миючого засобу, а потім витріть кронштейн сухою тканиною. Не використовуйте бензол, розчинник або віск для меблів, тому що їх застосування може призвести до відлущення фарби покриття. (Щоб дізнатися, як чистити дисплей, див. інструкцію до дисплея. При використанні хімічно обробленої тканини спочатку уважно прочитайте інструкції до неї.)
- 3) Не прикріплюйте липку стрічку чи наліпки до виробу. Це може призвести до забруднення поверхні настінного кронштейна. Запобігайте тривалому контакту пристрою з гумовими, вініловими та подібними виробами. (Це призведе до погіршення властивостей пристрою.)
- 4) Будьте обережними під час встановлення виробу, оскільки струси можуть спричинити появу тріщин на плазмовому дисплеї.

ЗАСТЕРЕЖЕННЯ

Цей настінний кронштейн призначений лише для плазмових дисплеїв Panasonic (див. ст. 80-83)

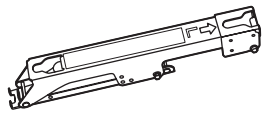
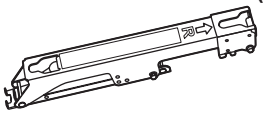
Використання з іншими пристроями може призвести до ненадійної фіксації, що може спричинити ризик отримання травм.

МОНТАЖ ПОВИНЕН ВИКОНУВАТИСЬ СПЕЦІАЛІСТАМИ.

КОМПАНІЯ PANASONIC НЕ НЕСЕ ВІДПОВІДАЛЬНОСТІ ЗА БУДЬ-ЯКІ ПОШКОДЖЕННЯ ВЛАСНОСТІ ТА/АБО СЕРІОЗНІ ТРАВМИ, ВКЛЮЧАЮЧИ СМЕРТЬ, ЩО Є НАСЛІДКОМ НЕВІДПОВІДНОГО МОНТАЖУ АБО НЕПРАВИЛЬНОГО ОБСЛУГОВУВАННЯ.

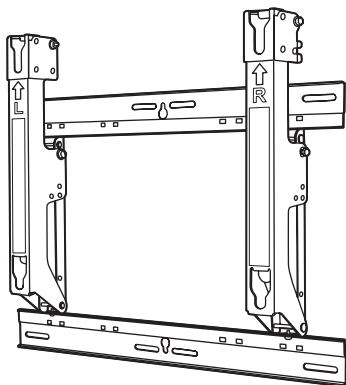
Настінний кронштейн **TU-WK4P1RW** (Модель с регулируемым углом)

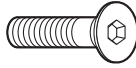
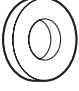

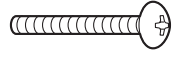
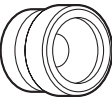

Деталі для збирання настінного кронштейна

<p>① Верхні та нижні кріплення основи (2)</p> 	<p>② Ліве кріплення основи кронштейна (1)</p> 	<p>③ Праве кріплення основи кронштейна (1)</p> 	<p>④ Гвинти M5x8 для збирання конструкції (4)</p> 
---	---	---	---

Деталі для монтажу

Вигляд повністю зібраної конструкції



<p>A Гвинти з утопленими головками із внутрішнім шестигранником M8x32 (4)</p> 	<p>D Прокладки (4)</p> 
<p>B Увігнуті зубчасті шайби (4)</p> 	<p>E Гвинти M5x50 для кріплення пристрою (2)</p> 
<p>C Ізоляційні прокладки (4)</p> 	<p>F Торцевий ключ (входить до комплекту) (1)</p> 

Застережні заходи під час монтажу настінного кронштейна

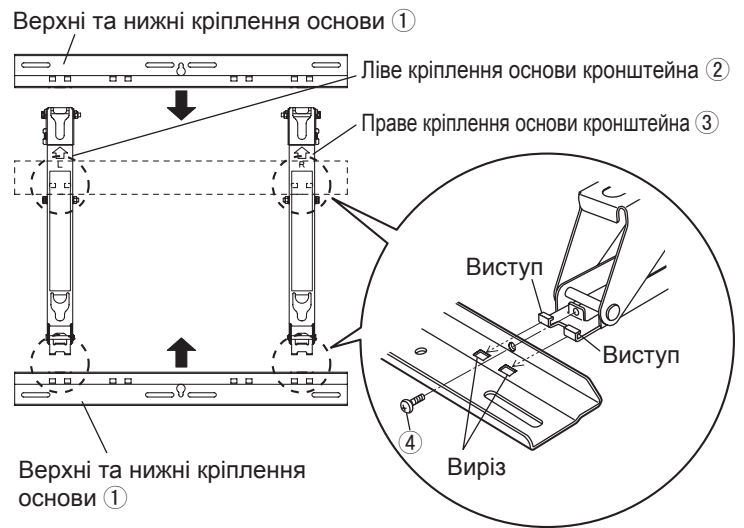
- ◆ Усі роботи зі встановлення та демонтажу повинен виконувати кваліфікований спеціаліст. Якщо пристрій не буде встановлено або демонтовано належним чином, дисплей може впасти та завдати травми.
- ◆ Настінний кронштейн використовується для закріплення плазмового телевізора на вертикальній стіні для перегляду. Кронштейн дозволяється монтувати лише на вертикальній стіні.
- ◆ Щоб забезпечити належне функціонування плазмової панелі і запобігти виникненню несправностей, не слід встановлювати телевізор у таких місцях:
 - Поблизу розприскувачів або пожежних/димових детекторів
 - В місцях, де є ризик вибуху через вібрацію або поштовхи
 - Поблизу високовольтних дротів або динамічних блоків живлення
 - Поблизу джерел магнітного поля, тепла, пари або сажі
 - В місцях, що піддаються впливу повітря, що видувається з опалювального обладнання
 - В місцях, де можуть утворюватись краплі конденсату від кондиціонерів повітря або іншого обладнання.
- ◆ Під час монтажу використовуйте метод кріплення, який найбільше відповідає структурі та матеріалу поверхні, на якій встановлюватиметься кронштейн.
- ◆ Використовуйте наявні у продажу гвинти із номінальним діаметром 6 мм, які відповідають матеріалу стіни, до якої кріпиться кронштейн (дерево, сталева конструкція, бетон тощо).
- ◆ Штепсель шнура живлення плазмового телевізора повинен легко діставати до електричної розетки.
- ◆ Слід забезпечити нормальну вентиляцію, щоб температура у приміщенні, де знаходиться плазмовий телевізор, не перевищувала 40 °C.
- ◆ Розстеліть м'яку ковдру або тканину на підлозі для того, щоб під час складання та монтажу дисплей та підлога не подряпалися.
- ◆ При скріпленні деталей не затягуйте гвинти занадто сильно, але й не допускайте недостатнього затягування.
- ◆ Під час виконання робіт зі складання та монтажу або при пересуванні приділіть особливу увагу безпеці робочого місця.
- ◆ Не можна монтувати плазмовий телевізор безпосередньо під освітленням на стелі (таким як точкові світильники, прожектори або галогенні лампи), що зазвичай випромінює велику кількість тепла.

1. Збирання настінного кронштейна

Покладіть верхні та нижні кріплення основи кронштейна ① та ліве та праве кріплення основи кронштейна ② та ③, як показано на малюнку.

Вставте виступи (упори) лівого та правого кріплення основи кронштейна у вирізи (2 з лівого та 2 з правого боків) верхніх та нижніх кріплень основи, закріпіть деталі за допомогою чотирьох гвинтів ④ для збирання конструкції.

(Момент затягування: 1.2-1.5 Н•м)



2. Перевірка міцності стіни в місцях монтажу

- ① Настінний кронштейн важить приблизно 3,2 кг. Дивіться інструкцію до плазмового телевізора, щоб перевірити вагу телевізора, який буде закріплено на настінному кронштейні.
- ② Дивіться схематичне креслення настінного кронштейна праворуч, щоб перевірити міцність стіни в шести місцях монтажу конструкції. Якщо будь-яке з цих місць недостатньо надійне, додатково укріпіть його.

Примітки

- П'ять попередньо просвердлених отворів розміщені у верхній частині, а інші п'ять — у нижній частині настінного кронштейна. Використовуйте додаткові отвори, якщо стіну зроблено з дерева або іншого матеріалу, що не дозволяє досягти потрібного рівня міцності кріпленням конструкції в шести місцях, як показано на кресленні праворуч.
- Однак майте на увазі, що залежно від матеріалу, з якого зроблено стіну, на поверхні можуть з'явитися тріщини, якщо гвинти будуть розташовані дуже близько один до одного.
- Прикріплюйте до конструкції лише плазмовий телевізор: Не намагайтеся прикріпити до неї жоден інший пристрій.
- Щоб отримати інформацію про точні розміри змонтованого плазмового телевізора, дивіться схематичне креслення (стор. 80-83).



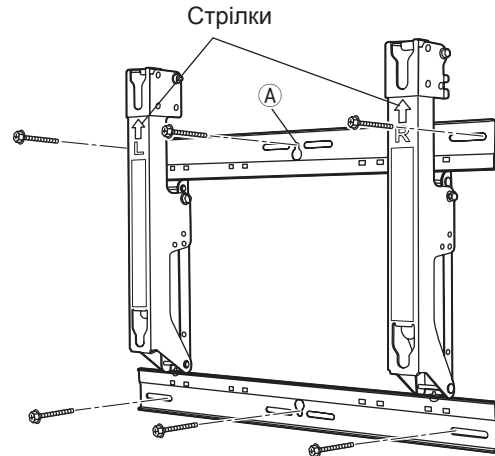
Обов'язково використовуйте гвинти для закріплення конструкції.

3. Прикріплення настінного кронштейна до стіни

- 1 Установіть настінний кронштейн таким чином, щоб стрілки на ньому були спрямовані вгору.
- 2 Спершу закрутіть гвинт у верхньому центральному отворі (А).
- 3 За допомогою рівня відрегулюйте горизонтальне положення конструкції, після чого закрутіть гвинти у п'ятьох отворах, що залишились.

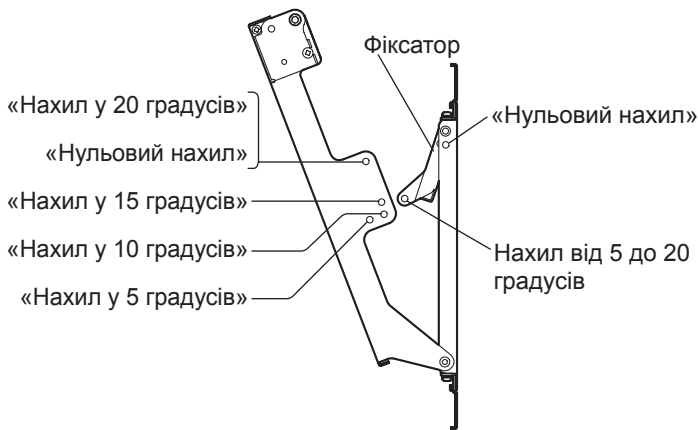
Примітки

- Якщо необхідно вмонтувати гвинти або гайки перед монтажем настінного кронштейна, оскільки стіна зроблена з бетону, розмітьте стіну, приклавши до неї кронштейн або вирахувавши відстань між отворами за допомогою креслення, а після цього вмонтуйте гвинти та гайки з номінальним діаметром 6 мм або еквівалентні. Вмонтовуючи гвинти, переконайтеся, що вони залишаються висунутими на відстані від 10 до 15 мм від поверхні.
- Для монтажу настінного кронштейна використовуйте гвинти з номінальним діаметром 6 мм або еквівалентні, що придбані в господарчому магазині і придатні для матеріалу стіни в області монтажу.
- Закріпіть гвинти щонайменше в шести місцях.



4. Регулювання кута настінного кронштейна.

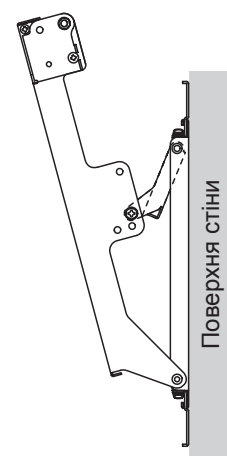
- 1 Кут настінного кронштейна може регулюватися зі збільшенням на 5 градусів в одній із п'яти позицій у діапазоні від «нульового нахилу» до «нахилу у 20 градусів». У заводському комплекті поставки настінного кронштейна кут нахилу встановлений в положення «нульовий нахил». Щоб змінити цей кут, викрутіть гвинти для регулювання і змініть положення фіксатора. (Момент затягування: 1.2-1.5 Н·м)



Кут нахилу встановлено на «нульовий нахил»



Кут нахилу встановлений на «нахил у 15 градусів»



Примітка

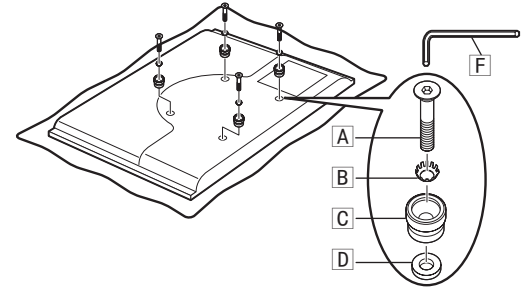
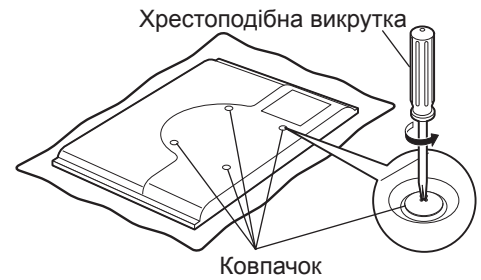
- При використанні певних типів кабелів HDMI (RP-CDHG80 чи RP-CDHG100) або кабелів ПК вони можуть торкатися стіни і викликати пошкодження гнізда HDMI або вхідного гнізда ПК на телевізорі. У такому випадку відрегулюйте кут нахилу настінного кронштейна таким чином, щоб на кабель не діяло жодне навантаження.

5. Закріплення ізоляційних прокладок на плазмовому телевізорі

- 1 Покладіть плазмовий телевізор екраном вниз на м'яку чисту тканину, на якій немає жодних сторонніх предметів або бруду, та виконайте описану нижче процедуру. Будьте уважні, щоб уникнути подряпин або пошкоджень, якщо телевізор має деталі, що виступають.
- 2 Використовуйте хрестоподібну викрутку для видалення ковпачків (4) із плазмового телевізора.

Примітка

- Зберігайте видалені ковпачки в безпечному місці. (Вони знадобляться, коли використовуватиметься окрема монтажна підставка.)
- 3 Як показано на схемі праворуч, за допомогою торцевого ключа (входить до комплекту) **F** установіть гвинти **M8x32** **A** з утопленими головками із внутрішніми шестигранниками **B**, увігнуті зубчасті шайби **C**, ізоляційні прокладки та прокладки **D** (x4 на кожен деталь) в тих місцях, де раніше знаходилися ковпачки.
(Момент затягування: 3-4 Н•м)

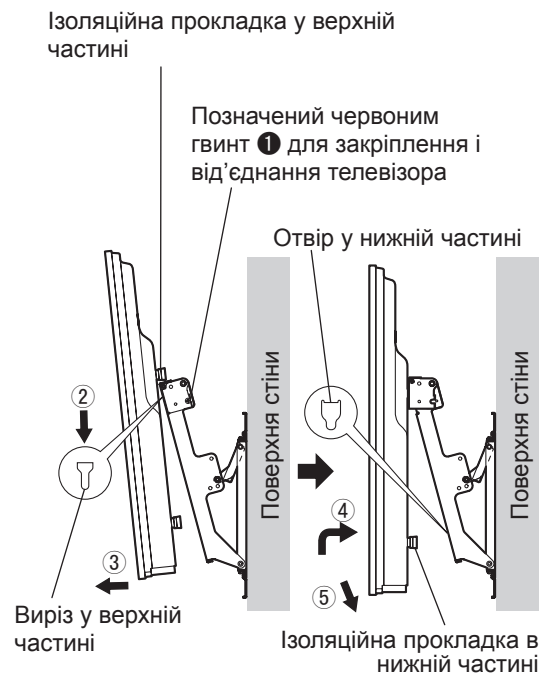


6. Монтаж плазмового телевізора на настінному кронштейні та підключення інших компонентів

- 1 Викрутіть позначені червоним лівий і правий гвинти **1** (по одному з кожного боку), призначені для закріплення та від'єднання плазмового телевізора.
- 2 Вставте ізоляційні прокладки у верхній частині плазмового телевізора у вирізи у верхній частині настінного кронштейна та опустіть плазмовий телевізор.
- 3 Потягніть телевізор у напрямку, показаному на схемі праворуч, та підключіть його до інших компонентів.
- 4 Після підключення плавно підніміть телевізор і вставте ізоляційні прокладки в отвори у нижній частині настінного кронштейна.
- 5 Після цього опустіть плазмовий телевізор.

ЗАСТЕРЕЖЕННЯ

- Якщо занадто сильно підняти телевізор, його верхня частина від'єднається від настінного кронштейна.

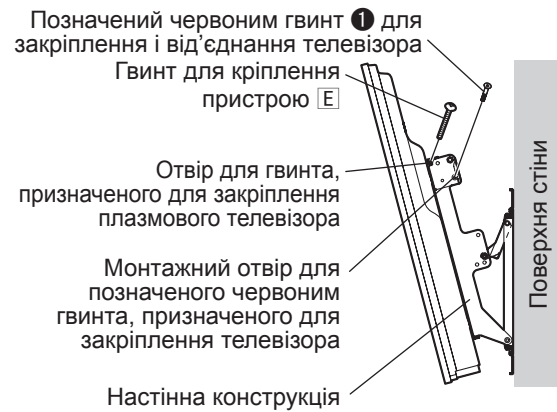


7. Закріплення плазмового телевізора

- 1 Установіть гвинти **E** (2) для закріплення телевізора в отвори з лівого та правого боків настінного кронштейна.
- 2 Надійно затягніть позначені червоним лівий і правий гвинти **1** (по одному з кожного боку), призначені для закріплення та від'єднання телевізора, у позначених червоним отворах настінного кронштейна.
(Момент затягування: 1,2-1,5 Н·м)

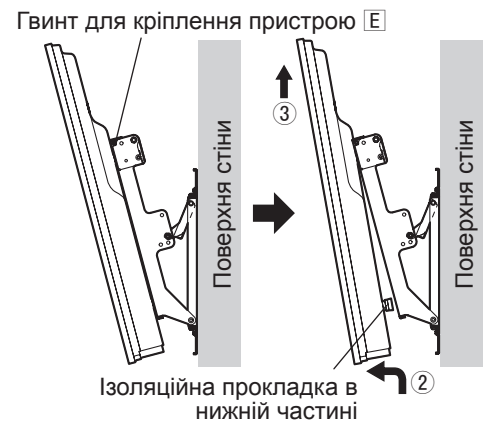
Примечание

- Щоб попередити від'єднання плазмового телевізора від настінного кронштейна, гвинти для кріплення пристрою **E** мають бути щільно затягнутими з лівого та правого боку до своїх основ.



8. Від'єднання плазмового телевізора від настінного кронштейна

- 1 Вкрутіть гвинти для кріплення пристрою **E** (по одному з кожного боку) з обох боків настінного кронштейна.
- 2 Піднімаючи нижню частину телевізора, потягніть його на себе.
- 3 Після від'єднання ізоляційних прокладок у нижній частині, просто підніміть телевізор.



关于安全的注意事项

警告

要确保安装之处具有足够强度承受长期使用。

- 如果经过长期使用强度减弱的话，显示器可能会掉落下来，有造成人身伤害的危险。

绝不能由安装专业人员之外的人进行安装工作和展开连接设备。

- 不正确的安装可能会使设备掉落，造成伤害。

考虑安装处的强度时，请使用安全系数。

- 如果强度不够，则设备可能会掉落，造成伤害。

请勿安装在不能承受负载的地方。

- 如果安装处缺乏足够的强度，则设备可能会掉落。

请勿拆卸或改装壁挂式框架。

- 否则可能会损坏显示器或使其掉落，造成人体受伤。

小心

请勿使用商品目录中指定之外的电视机和显示器。

- 否则电视机或显示器可能会掉落和损坏，造成人体受伤。

请勿安装在任何易受潮、多尘、多烟、有蒸气或热气的地方。

- 否则可能会对等离子电视机产生不利影响，造成火灾或触电。

必须至少由 2 人以上进行等离子电视机的装卸工作。

- 否则等离子电视机可能会掉落，造成伤害。

请勿面向上、面向侧面或倒置地安装。

- 否则可能会使热积累在等离子电视机内，造成火灾。

请在等离子电视机的顶侧和右侧留出至少 10 厘米的空间；在左侧留出至少 10 厘米的空间；在底部留出至少 10 厘米的空间；请在后板和墙壁之间留有空隙。

- 在等离子电视机的顶侧具有散气孔，在底部和背面具有吸气孔。把它们盖住可能会造成火灾。

请仅按说明书中的步骤安装等离子电视机，请勿按其它方法安装。

- 否则本机可能掉落，有造成人身伤害的危险。

安装固定螺丝和电源线时请勿碰上墙内的部件。

- 碰上墙内的任何金属部件都可能会造成触电。

请使用专用组件进行安装。

- 否则，等离子电视机可能会从墙上掉下，并可能造成受伤。

拆下不再使用的框架。

- 否则框架可能会掉落，造成人体受伤。

关于运用本机的要求

- 1) 为电视机选择安装处时请小心，如果安装在直射阳光照射处或暖气机的附近，则因光或热可能会使电视机变色或变形。
- 2) 用柔软干净的布块（如棉布或法兰绒）擦拭清洁壁挂式支架。如果支架非常脏，请用水稀释过的中性洗涤剂去除脏物，然后用干布擦拭干净。不要使用挥发油、稀释剂或家具蜡，否则可能导致涂层剥落。（有关清洁显示器的信息，请参阅显示器的使用说明书。如果使用化学处理布，请按照化学处理布附带的说明书操作。）
- 3) 切勿在本产品上粘贴胶布或贴纸。这可能会使壁挂式框架表面变脏。请勿长期接触橡胶、乙烯树脂产品等。（否则会造成变质。）
- 4) 安装时请小心，振动可能会使等离子电视机的面板裂开。

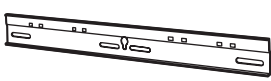
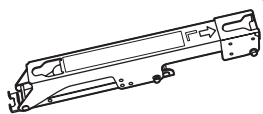
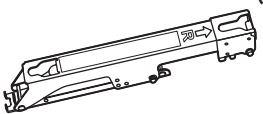
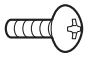
小心

此框架仅用于松下等离子电视机（参见第 80 ~ 83 页）。
用于其它装置可能会不稳定，从而可能造成受伤。

应由专业人员进行安装。
松下公司对任何因安装不正确或使用不当所致的任何财产损失和 / 或包括死亡在内的严重伤害不承担任何赔偿责任。

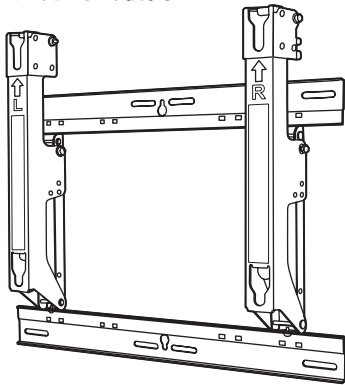
TY-WK4P1RW 壁挂式框架（角度可调型）

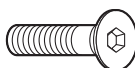
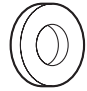

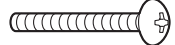
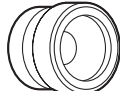

用于安装壁挂式框架的组件

<p>① 底座上下侧部件 (2)</p> 	<p>② 框架底座左侧部件 (1)</p> 	<p>③ 框架底座右侧部件 (1)</p> 	<p>④ 用于组装框架的 M5x8 螺钉 (4)</p> 
--	---	--	--

用于安装的部件

完全组装好的框架的视图



<p>A M 8×32 内六角锥坑螺钉 (4)</p> 	<p>D 垫片 (4)</p> 
<p>B 碟齿状垫圈 (4)</p> 	<p>E M5x50 部件固定螺钉 (2)</p> 
<p>C 绝缘垫片 (4)</p> 	<p>F 六角扳手（包括工具） (1)</p> 

壁挂式框架安装须知

- ◆ 只能由有资格的技术人员进行装卸工作。如果不正确装卸框架，显示器可能会掉落，造成人体受伤。
- ◆ 壁挂式框架用于将等离子电视机装在垂直的墙壁上以便观看。请勿装在垂直墙壁之外的任何表面上。
- ◆ 为了确保正确的等离子电视机性能，防止故障，请勿安装在下列之处。
 - 灭火用喷水器或火灾 / 烟雾感测器附近
 - 会产生振动或受到冲撞之处
 - 高压电线或动力电源附近
 - 会产生磁性、热、水蒸气或油烟之处附近
 - 会接触到来自取暖设备热风之处
 - 会产生来自空调或其他机器的结露水滴之处
- ◆ 请利用适合于安装处的结构和材料的技术进行安装。
- ◆ 使用适合于要安装框架的墙壁材料（木、铁框、混凝土等）的公称直径为 6 毫米的市售螺钉。
- ◆ 请将电视机的电源线插头插入附近的电源插座。
- ◆ 请确保良好的空气流通，使设备的环境温度不超过 40 °C。否则会使热积累在等离子电视机内，造成故障。
- ◆ 将柔软的毛毯或布铺在地板上以免在组装和安装作业中等离子显示器和地板留下印迹或滑痕。
- ◆ 当将部件用螺钉固定时，要确保螺钉不要紧固不充分也不要使其紧固过度。
- ◆ 进行组装和安装作业或作业过程中移动时，要格外小心以确保安全。
- ◆ 请勿将等离子显示器安装在吊灯（聚光灯、卤素灯等）下。否则，外壳可能会因高温弯曲或损坏。

安装步骤

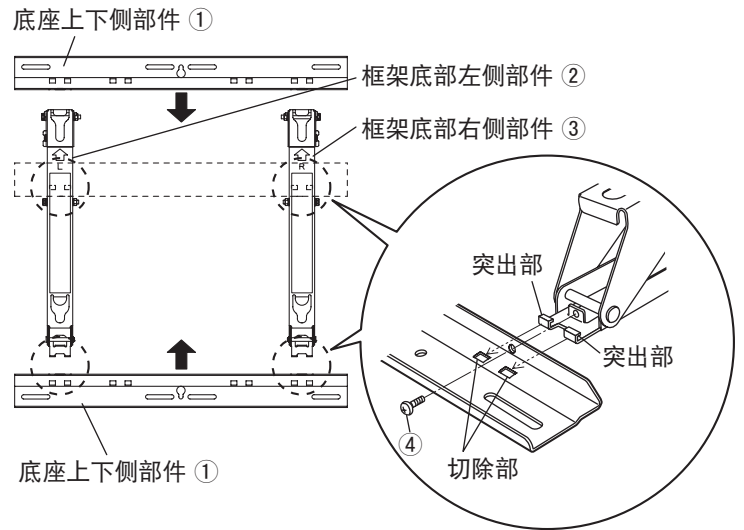
[切勿使用指定的安装方法之外的方法。]

1. 组装壁挂式框架

如图所示，安置底座上下侧部件 ① 和框架底部左右侧部件 ② 和 ③。

将框架底部左右侧部件的突出部嵌入底座上下侧部件中的切除部（左右侧各 2），并用四颗用于组装框架的螺钉 <4> 固定各部件。

（紧固扭矩：1.2 到 1.5 牛米）



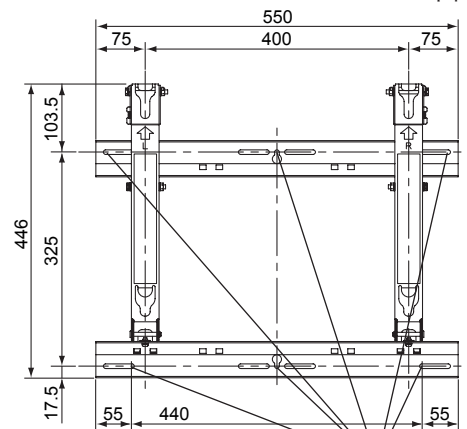
2. 检查安装位置的强度

- ① 壁挂式框架重约 3.2 千克。
参阅等离子电视机的使用说明书，并检查将安装在壁挂式框架中的等离子电视机的重量。
- ② 参见右侧所示壁挂式框架的轮廓图，并检查所示六个安装位置的墙壁强度。如果任何这些位置强度不够，请进行充分加固。

注

- 在壁挂式框架顶部有五个预先钻好的安装孔，在底部也有五个。如果墙壁使用木板或其他材料，通过在右侧所示的六个位置固定部件不能确保有足够的安装强度，请使用提供的备用孔。但要记住，取决于安装表面的材料，如果安装螺钉的位置太靠近，表面上可能会产生裂缝。
- 仅在部件上安装或安置等离子电视机：不要安装或安置任何其他产品。
- 有关安装等离子电视机时适用的尺寸，请参见轮廓图（第 80 ~ 83 页）。

单位：毫米



墙壁安装孔（6 处）

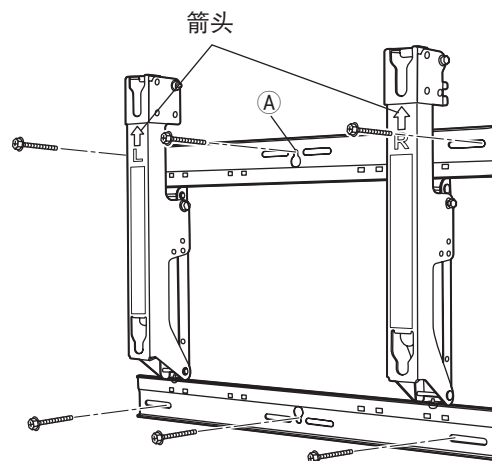
使用能够固定部件的螺钉。

3. 将壁挂式框架安装到墙壁上

- ① 安装壁挂式框架，使其上指示的箭头朝上。
- ② 首先，在上部中央孔 (A) 固定螺钉。
- ③ 使用水平仪确保框架不会倾向一侧，然后将螺钉固定在剩下的五个孔中。

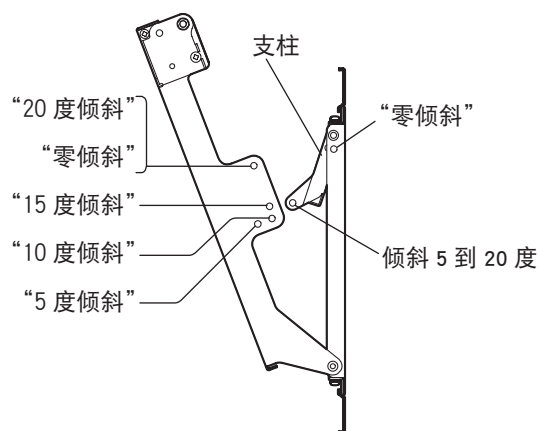
注

- 如果在安装壁挂式框架之前需要在墙壁中嵌入螺栓或螺母（例如墙壁是混凝土做的时），则通过将实际壁挂式框架放到墙上位置或从轮廓图计算孔的位置来确定孔的位置，然后嵌入标称 6 毫米直径或类似的螺栓和螺母。
- 当嵌入螺栓时，确保其头部从墙壁表面突出 10 到 15 毫米。
- 对于安装壁挂式框架到墙上，请使用五金店有售并适合墙壁安装区域材料的标称 6 毫米直径或类似的螺钉。
- 在至少六个位置固定螺钉。



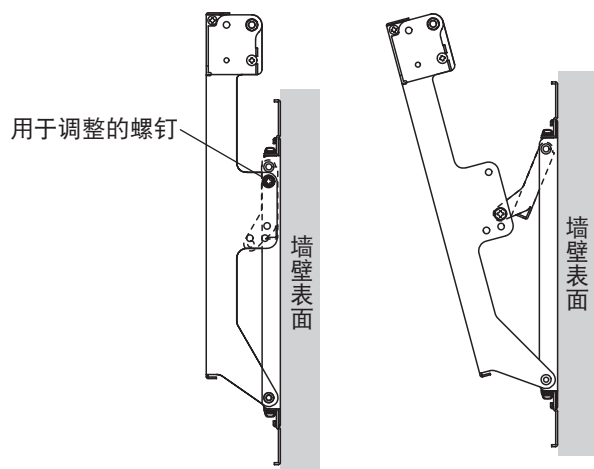
4. 调整壁挂式框架的角度

- ① E 壁挂式框架的角度能以 5 度增量调整为从“零倾斜”到“20 度倾斜”范围内的五个位置之一。壁挂式框架在出厂时，角度设为“零倾斜”。要改变此角度，请卸下用于调整的螺钉并改变支柱的位置。（紧固扭矩：1.2 到 1.5 牛米）



当角度设为“零倾斜”时

当角度设为“15度倾斜”时



注

- 使用某些类型的 HDMI 电缆（RP-CDHG80 或 RP-CDHG100）或 PC 电缆时，电缆可能接触到墙壁并导致电视机上的 HDMI 端子或 PC 输入端子损坏。
- 在这种情况下，请调节壁挂式框架的角度，使电缆不会承受任何重量。

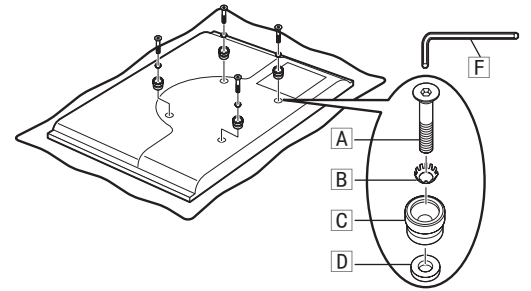
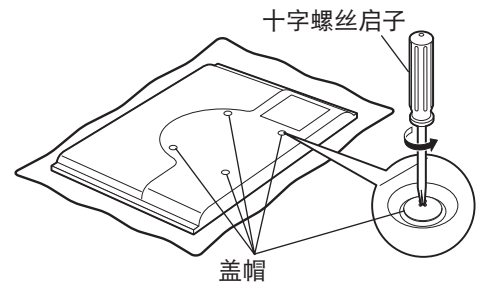
5. 将绝缘垫片安装到等离子电视机上

- ① 将等离子电视机面朝下放置在干净的毯子或其他没有灰尘和异物的编织物上，并按以下指示进行操作。
如果等离子电视机有突出部分，请小心避免刮擦或损坏。
- ② 使用十字螺丝启子从等离子电视机卸下盖帽 (x4)。

注

- 将卸下的盖帽保管好。
(当使用独立的安装台时需要用到它们。)

- ③ 如右图所示，使用附带的六角扳手 **F** 将附带M 8×32 内六角锥坑螺钉 **A**、碟齿状垫圈 **B**、绝缘垫片 **C** 和垫片 **D** (每个部分四个) 安装到之前安装盖帽的位置。
(紧固扭矩: 3 到 4 牛米)

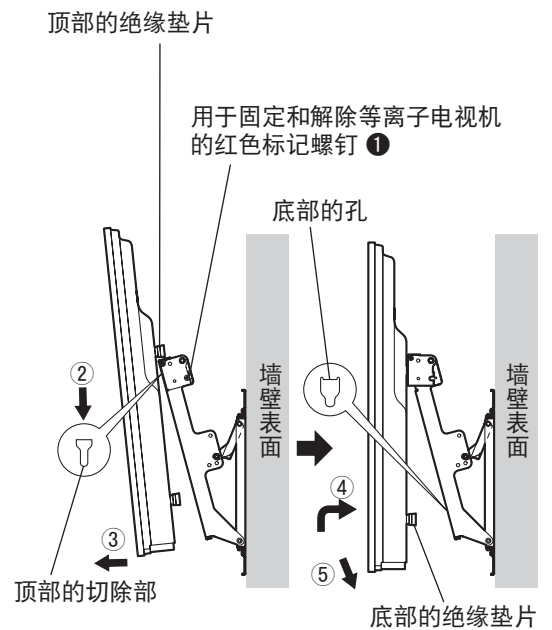


6. 将等离子电视机安装到壁挂式框架上，并将其连接其他组件

- ① 卸下用于固定和解除等离子电视机的左右侧红色标记的螺钉 **1** (左右各一)。
- ② 将等离子电视机顶部的绝缘垫片嵌合到壁挂式框架顶部的切除部，然后降下等离子电视机。
- ③ 如右图所示将等离子电视机拉向您身边，并将其连接到其他组件。
- ④ 完成连接之后，稍微抬起等离子电视机，并在壁挂式框架下部的孔中插入底部的绝缘垫片。
- ⑤ 现在降下等离子电视机。

注

- 如果将等离子电视机抬得太高，其顶部将从壁挂式框架脱开。

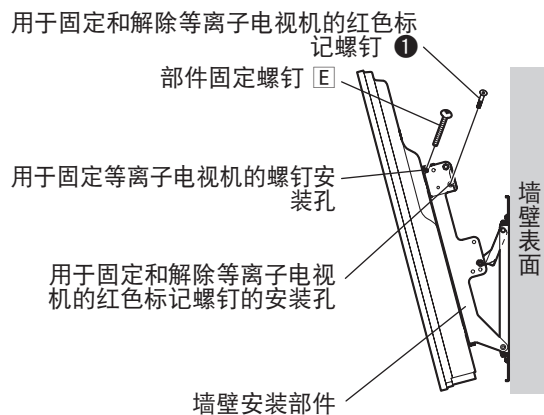


7. 固定等离子电视机

- ① 将用于固定等离子电视机的附带螺钉 [E] (2) 安装到用于固定等离子电视机的壁挂式框架左右侧的螺钉安装孔中。
- ② 将用于固定和解除等离子电视机的左右红色标记螺钉 ① (左右侧各一) 固定到用于固定和解除等离子电视机的壁挂式框架左右侧的红色标记螺钉安装孔中。
(紧固扭矩: 1.2 到 1.5 牛米)

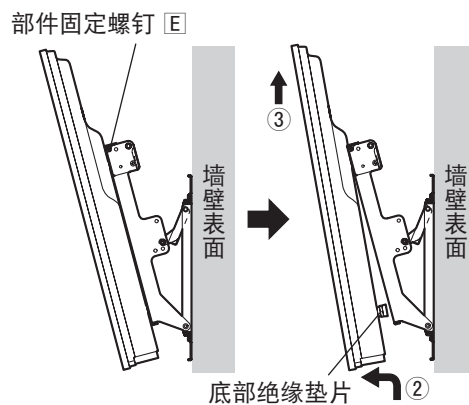
注

- 为防止等离子电视机从壁挂式框架脱开, 必须紧固左右侧部件固定螺钉 [E] 到其底座。



8. 如何从壁挂式框架卸下等离子电视机

- ① 卸下安装在壁挂式框架两侧的部件固定螺钉 [E] (左右侧各一)。
- ② 在抬起等离子电视机底部的同时, 将等离子电视机向您侧拉动。
- ③ 解除底部绝缘垫片之后, 将等离子电视机竖直抬起。



Những chú ý an toàn

CẢNH BÁO

Đảm bảo vị trí lắp đặt đủ chắc chắn để có thể đặt TV lâu dài.

- Nếu vị trí lắp đặt không bền chắc lâu dài, TV plasma có thể rơi, gây thương tích.

Công việc lắp ráp và kết nối thiết bị nên được thực hiện bởi một chuyên gia lắp đặt có trình độ.

- Lắp ráp không đúng cách sẽ làm rơi thiết bị và gây ra thương tích.

Hãy tính toán hệ số an toàn khi xem xét độ vững chắc của vị trí dự định lắp đặt.

- Nếu vị trí lắp đặt không chắc chắn, thiết bị có thể rơi, gây thương tích.

Không lắp đặt ở vị trí không chịu được tải trọng.

- Nếu vị trí lắp đặt thiếu chắc chắn thiết bị có thể bị rơi.

Không tháo dỡ hoặc chỉnh sửa giá đỡ treo tường.

- Nếu không, thiết bị có thể rơi, bị hư hỏng, và có thể gây thương tích cho người.

CHÚ Ý

Không dùng cho bất kỳ loại TV hoặc màn hình nào khác ngoài loại đã nêu trong catalogue.

- Nếu không, thiết bị có thể rơi, bị hư hỏng, và có thể gây thương tích cho người.

Không lắp đặt tại những nơi ẩm ướt, có bụi, khói, hơi nước hoặc nóng.

- Điều này có thể sẽ tác động xấu đến TV plasma, gây cháy hoặc chập điện.

Công việc lắp đặt hoặc tháo dỡ TV plasma phải do ít nhất hai người thực hiện.

- TV plasma có thể rơi và gây thương tích.

Không được đặt TV ngửa lên, đặt nghiêng hoặc đặt ngược TV.

- Làm như thế có thể sinh ra nhiệt bên trong TV plasma và dẫn đến cháy TV.

Cần có khoảng trống xung quanh TV, ít nhất là 10cm so với đỉnh, các cạnh, đáy, và để một khoảng trống giữa mặt sau của TV và tường.

- TV plasma có các lỗ thoát không khí ở phía trên và các lỗ hút không khí ở dưới đáy và phía sau. Che kín những lỗ này có thể gây cháy TV.

Lắp đặt TV plasma theo các bước cụ thể trong hướng dẫn dưới đây. Không được lắp đặt TV theo bất kỳ cách nào khác.

- Nếu không, thiết bị có thể rơi, bị hư hỏng, và có thể gây thương tích cho người.

Gắn đinh vít và lắp cáp điện sao cho không tiếp xúc với phần phía trong của tường.

- Hiện tượng chập điện có thể xảy ra nếu tiếp xúc với bất cứ vật thể kim loại nào phía trong tường.

Khi lắp đặt, hãy sử dụng các bộ phận có chức năng riêng.

- Nếu không, TV plasma sẽ rơi xuống và có thể gây thương tích.

Tháo bỏ sản phẩm không cần dùng tới nữa.

- Nếu không, sản phẩm này có thể rơi và gây thương tích.

Các yêu cầu liên quan đến vận hành

- 1) Cần thận khi chọn vị trí đặt TV nếu đặt ở nơi có ánh nắng mặt trời chiếu trực tiếp hoặc gần. I sưởi TV có thể bị bạc màu hoặc biến dạng.
- 2) Lau giá đỡ treo tường bằng vải mềm và khô (chẳng hạn như vải sợi bông hoặc vải flannel). Nếu giá đỡ quá bẩn, hãy dùng chất tẩy trung tính được pha loãng trong nước để loại bỏ vết bẩn, sau đó dùng vải khô để lau. Không được sử dụng chất benzene, chất tẩy rửa, hay dụng cụ đánh bóng vì nó có thể làm cho lớp phủ bên ngoài bị bong.
(Để biết thêm thông tin khi lau màn hình TV, hãy tham khảo tài liệu hướng dẫn sử dụng của màn hình. Nếu sử dụng loại vải có xử lý hóa chất, hãy làm theo những hướng dẫn riêng cho loại vải đó)
- 3) Không được dán băng dính hoặc keo lên giá đỡ. Làm như vậy có thể làm bẩn bề mặt của giá đỡ treo tường. Không được để các chất làm từ cao su, hay nhựa vinyl hoặc các chất tương tự bám lâu trên giá đỡ.
(Làm như vậy sẽ gây hỏng bề mặt giá đỡ.)
- 4) Phải cẩn thận trong suốt quá trình lắp đặt vì chỉ một cú va chạm cũng có thể làm cho tấm chắn của TV plasma bị rạn nứt.

Chú ý:

Loại giá đỡ này chỉ được áp dụng cho duy nhất loại TV plasma của Panasonic (Xem trang 80-83).
Sử dụng thiết bị khác có thể làm cho giá đỡ không vững và sẽ gây ra thương tích.

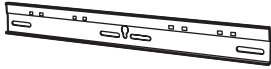
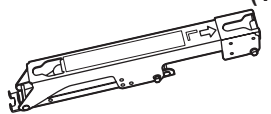
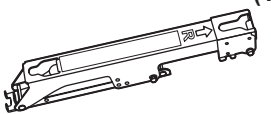
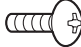
**YÊU CẦU LẮP ĐẶT MỘT CÁCH CHUYÊN NGHIỆP.
PANASONIC TỪ CHỐI MỌI TRÁCH NHIỆM VỀ TỒN HẠI VẬT CHẤT VÀ/HOẶC THƯƠNG TÍCH NGHIÊM TRỌNG DẪN ĐẾN CÁI CHẾT DO LẮP ĐẶT KHÔNG ĐÚNG CÁCH HOẶC ĐIỀU KHIỂN SAI.**

Các thành phần

[Hình ảnh trong sách hướng dẫn này chỉ mang tính minh họa.]

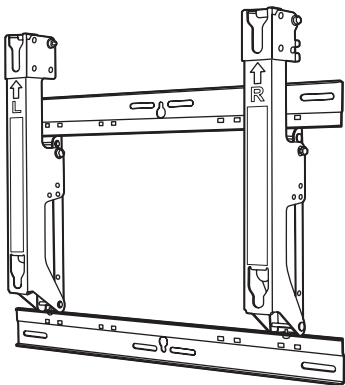
Giá đỡ treo tường **TY-WK4P1RW** (loại góc có thể điều chỉnh)

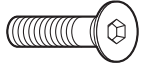
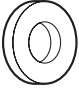

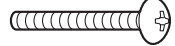
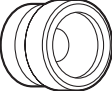

Các bộ phận dùng để lắp ráp giá đỡ treo tường.

<p>① Chân đế nối trên và dưới (2)</p> 	<p>② Đế giá đỡ nối bên trái (1)</p> 	<p>③ Đế giá đỡ nối bên phải (1)</p> 	<p>④ Đinh vít M5x8 dùng để gắn cố định (4)</p> 
---	---	--	--

Các bộ phận dùng để lắp đặt

Xem phần lắp ráp đã hoàn thành



<p>A Đinh vít đầu chòm Allen M8x32 (4)</p> 	<p>D Miếng đệm (4)</p> 
<p>B Vòng đệm (gioăng) hình đĩa răng cưa (4)</p> 	<p>E Đinh vít định vị M5x50 (2)</p> 
<p>C Miếng đệm cách điện (4)</p> 	<p>F Chìa vặn Allen lục giác (có cả dụng cụ) (1)</p> 

Chú ý khi lắp ráp giá đỡ treo tường

- ◆ Việc lắp đặt và tháo dỡ phải được tiến hành bởi một kỹ sư có trình độ.
Nếu lắp đặt và dỡ bỏ không đúng cách, màn hình hiển thị sẽ bị rơi xuống và gây ra thương tổn cho con người.
- ◆ Giá đỡ treo tường có tác dụng làm giá đỡ cho TV plasma khi muốn xem TV theo chiều thẳng đứng trên tường. Không được gắn giá treo lên bất kỳ bề mặt nào ngoài tường thẳng đứng.
- ◆ Để đảm bảo cho TV plasma hoạt động tốt và phòng ngừa trục trặc, không lắp TV ở các vị trí sau:
 - Gần hệ thống báo cháy và báo khói
 - Ở nơi có nguy cơ bị chấn động hoặc bị va chạm mạnh
 - Gần dây điện có điện áp cao hoặc nguồn điện năng cao
 - Gần nguồn từ trường, hơi nóng, hơi nước hoặc muối bắn
 - Các nơi tiếp xúc trực tiếp với luồng không khí từ các thiết bị tỏa nhiệt
 - Ở nơi ngưng đọng giọt nước từ máy điều hòa nhiệt độ hoặc thiết bị khác.
- ◆ Sử dụng kỹ thuật phù hợp với cấu trúc và vật liệu của địa điểm dùng để lắp ráp.
- ◆ Sử dụng các đinh vít sẵn có trên thị trường với đường kính 6mm phù hợp với chất liệu tường (như gỗ, khung thép, bê tông vv) mà giá đỡ được gắn vào.
- ◆ Đối với phích cắm nguồn điện cho TV, hãy sử dụng ổ cắm điện có thể dễ dàng với tới.
- ◆ Đảm bảo luồng không khí tốt cho thiết bị sao cho nhiệt độ xung quanh không vượt quá 40 °C. Nếu không đáp ứng được điều kiện này có thể sinh ra nhiệt phía trong TV plasma, và dẫn đến sự cố.
- ◆ Trải một tấm chắn hoặc vải mềm trên sàn nhà sao cho TV plasma và sàn nhà không bị cào xước trong suốt quá trình lắp đặt.
- ◆ Khi vặn đinh vít xuống các bộ phận, hãy đảm bảo rằng các đinh vít không được vặn quá lỏng hoặc quá chặt.
- ◆ Chú ý đảm bảo an toàn xung quanh khi tiến hành lắp ráp hoặc trong khi di chuyển quanh khu vực đang thực hiện.
- ◆ Không được lắp đặt TV plasma ngay phía dưới đèn trần (đèn chiếu, đèn halogen, vv). Nếu không thì vỏ máy sẽ bị uốn cong hoặc bị hư hỏng do sức nóng tỏa ra.

Quy trình lắp đặt

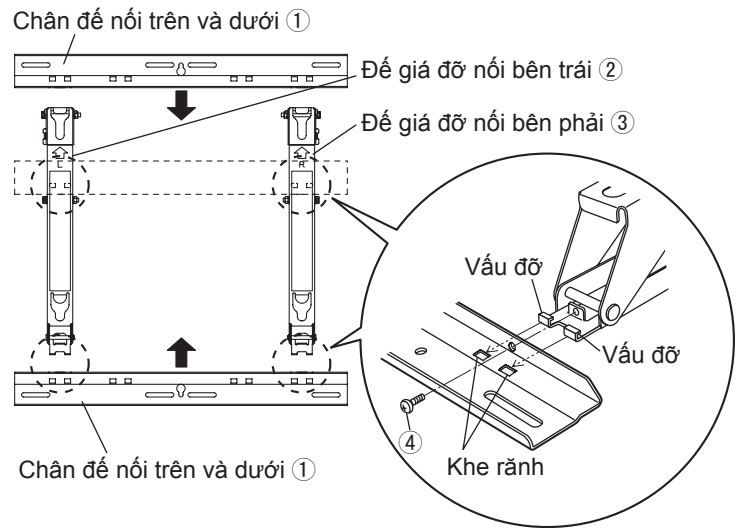
[Không sử dụng bất kỳ phương pháp nào ngoài những phương pháp đã nêu.]

1. Lắp ráp giá đỡ treo tường

Đặt chân đế nối trên và dưới ①, đế giá đỡ nối bên trái ② và bên phải ③ như trong hình vẽ minh họa.

Lắp 2 vấu đỡ của đế giá đỡ trái và phải vào hai khe rãnh (2 khe bên trái và 2 khe bên phải) trong chân đế, sau đó dùng 4 đinh vít ④ để siết chặt cố định lại.

(Siết chặt mômen quay: từ 1.2 đến 1.5 N•m)

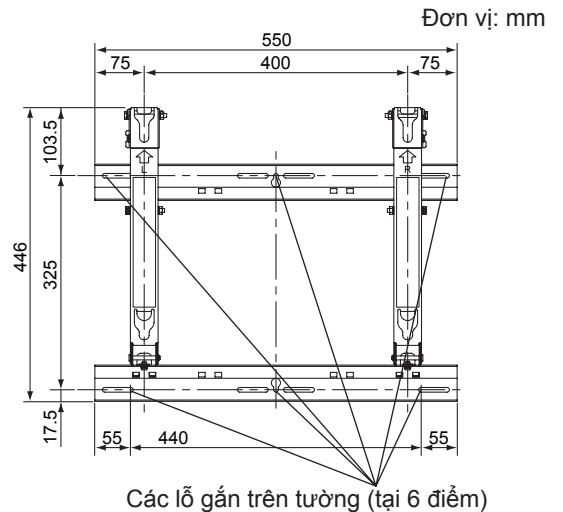


2. Kiểm tra độ bền chắc của địa điểm lắp đặt

- ① Giá đỡ treo tường có trọng lượng xấp xỉ 3.2 kg. Tham khảo sách hướng dẫn TV plasma, và kiểm tra trọng lượng của TV plasma sẽ được lắp trên giá đỡ treo tường.
- ② Tham khảo bản vẽ phác thảo của giá đỡ treo tường trong hình vẽ bên phải, và kiểm tra độ chắc của tường tại sáu vị trí lắp đặt được chỉ ra. Nếu bất cứ vị trí lắp đặt nào không đủ độ bền thì phải tiến hành gia cố cho vững chắc.

Ghi chú

- Có năm lỗ được khoan trước ở trên đỉnh và năm lỗ khác ở dưới đáy của giá đỡ treo tường. Sử dụng các lỗ dự phòng nếu tường làm bằng gỗ hay vật liệu không đủ độ vững khi gắn đinh vít vào sáu vị trí được chỉ ra trong hình vẽ bên phải. Tuy nhiên, hãy ghi nhớ rằng, phụ thuộc vào từng loại vật liệu dùng làm bề mặt, bề mặt vật liệu có thể bị nứt nếu các đinh vít tại các vị trí được đặt quá gần nhau.
- Chỉ được đặt một TV plasma trên giá: Không được đặt bất cứ một loại đồ vật nào khác lên trên giá.
- Hãy tham khảo bản vẽ phác thảo để biết thêm chi tiết về kích thước khi gắn TV plasma (trang 80-83).



Các lỗ gắn trên tường (tại 6 điểm)

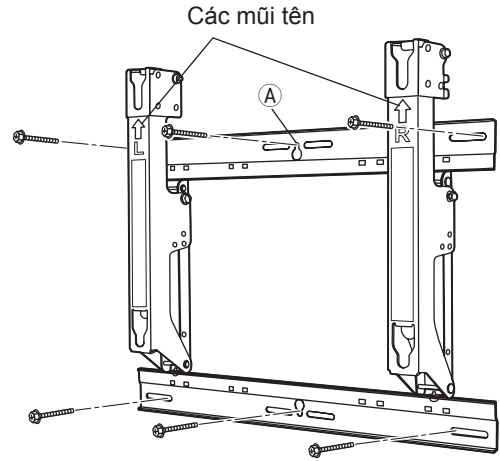
Dùng đinh vít tốt để siết chặt điểm cố định.

3. Gắn giá đỡ lên tường

- 1 Gắn giá đỡ treo tường sao cho các mũi tên hiển thị trên nó được đặt theo chiều hướng lên.
- 2 Trước tiên, hãy siết chặt đinh vít ở lỗ chính giữa phía trên (A).
- 3 Sử dụng một mặt phẳng để cố định tránh vẹo nghiêng sang một bên, và sau đó siết chặt đinh vít ở năm lỗ còn lại.

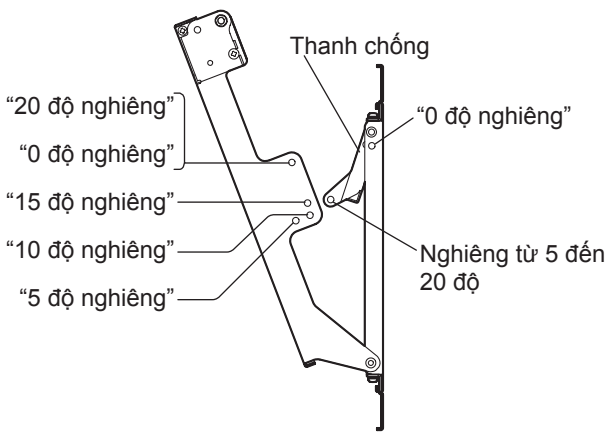
Ghi chú

- Nếu muốn gắn bulông hoặc đai ốc lên tường trước khi lắp giá đỡ (ví dụ chẳng hạn tường làm bằng bê tông), hãy xác định vị trí của các lỗ rồi đặt giá đỡ đúng chỗ trên tường hoặc tính toán vị trí đặt lỗ từ bản vẽ phác thảo, và sau đó gắn bulông và đai ốc với đường kính 6mm hoặc tương đương 6mm. Khi gắn bulông, đảm bảo sao cho đầu bulông nhô ra 10 đến 15mm so với bề mặt của tường.
- Để gắn giá đỡ lên tường, hãy sử dụng các đinh vít với đường kính 6mm hoặc có giá trị tương đương sẵn có từ một kho lưu trữ và phải phù hợp với vật liệu trên tường trong khu vực lắp ráp.
- Gắn đinh vít vào ít nhất 6 vị trí.

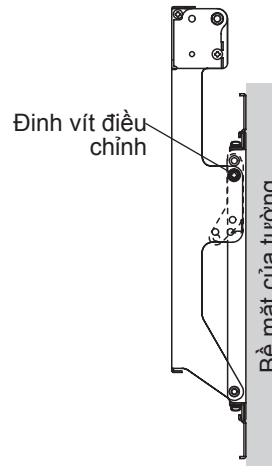


4. Điều chỉnh góc của giá đỡ treo tường.

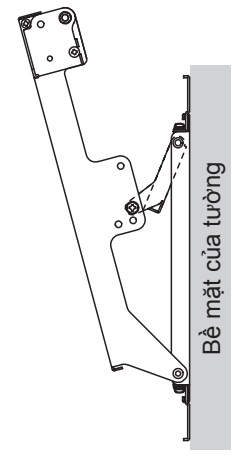
- 1 Góc của giá đỡ có thể được điều chỉnh tăng lên 5 độ cho một trong năm vị trí từ “0 độ nghiêng” đến “20 độ nghiêng”. Khi giá đỡ treo tường được chuyển đi từ xường chế tạo, góc giá đỡ được ấn định là “0 độ nghiêng”. Để thay đổi góc này, bạn hãy tháo các đinh vít điều chỉnh và thay đổi vị trí lắp đặt. (Siết chặt mômen quay: từ 1.2 đến 1.5 N•m)



Khi góc được đặt lên đến “0 độ nghiêng”



Khi góc được đặt lên đến “15 độ nghiêng”



Ghi chú

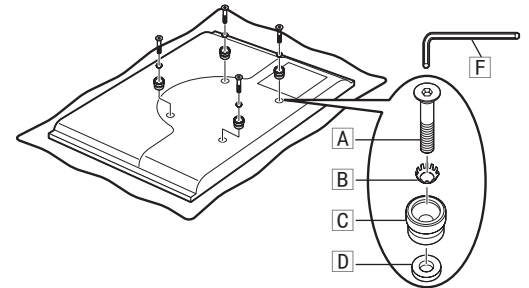
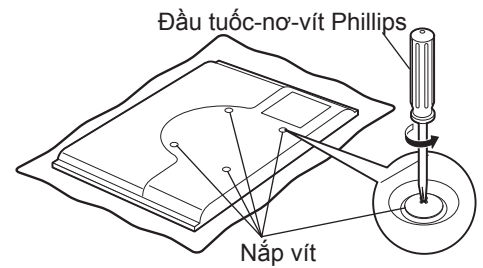
- Khi sử dụng một số loại cáp HDMI (RP-CDHG80 hay RP-CDHG100) hoặc cáp PC, dây cáp có thể chạm vào tường và gây hư hại cho thiết bị đầu cuối HDMI (HDMI terminal) hoặc thiết bị đầu vào của PC (PC input terminal) trên bộ máy thu hình. Trong trường hợp này, hãy điều chỉnh góc của giá đỡ treo tường sao cho dây cáp không bị vật nặng đè lên.

5. Gắn các miếng đệm cách điện lên trên TV plasma

- ① Đặt TV plasma áp mặt xuống một tấm chắn hoặc một miếng vải sạch và tiến hành theo hướng dẫn dưới đây:
Cẩn thận tránh cọ xước hoặc gây hư hỏng cho TV nếu bị nhô các phần của TV ra ngoài.
- ② Sử dụng đầu tuốc-nơ- vít Phillips để tháo bỏ các nắp vít (4) từ TV plasma.

Ghi chú

- Đặt các nắp vít vừa tháo ra ở một nơi an toàn.
(Chúng có thể sẽ được dùng đến khi tiến hành lắp đặt ở vị trí thẳng đứng.)
- ③ Hình vẽ bên phải minh họa công đoạn lắp đặt các phụ kiện M8x32 Vít đầu chìm **A**, vng đệm hình đĩa răng cưa **B**, vng đệm cách điện **C** và các vng đệm **D** (x4 cho mỗi phần), sử dụng chìa vặn Allen lục giác **F** tại các vị trí nơi mà các nắp vít được tháo trước đó.
(Siết chặt mômen quay: từ 3 đến 4 N•m)



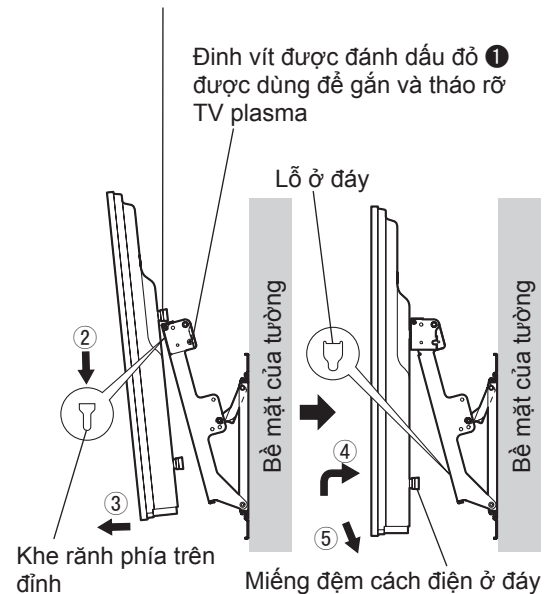
6. Gắn TV plasma lên giá treo và kết nối TV với các thiết bị khác

- ① Tháo bỏ các đinh vít được đánh dấu đỏ ❶ bên trái và phải (một cái ở phía trái và một cái ở phía phải), những đinh vít này dùng để siết chặt và nối lỏng TV plasma.
- ② Gắn các miếng đệm cách điện phía trên đỉnh của TV plasma lên trên rãnh cắt nằm trên đỉnh của giá đỡ treo tường và phía dưới TV plasma.
- ③ Kéo TV plasma về phía bạn như mô tả trong hình minh họa bên phải, và kết nối TV với các thiết bị khác.
- ④ Sau khi hoàn thiện công đoạn kết nối, nâng TV plasma nhẹ lên và chèn các miếng đệm cách điện phía dưới đáy TV vào các lỗ ở phần dưới của giá đỡ treo tường.
- ⑤ Rồi từ từ hạ thấp TV plasma xuống.

CHÚ Ý

- Nếu nâng TV plasma quá nhiều, phần trên đỉnh của nó sẽ trở nên trống so với giá đỡ treo tường.

Miếng đệm cách điện phía trên đỉnh

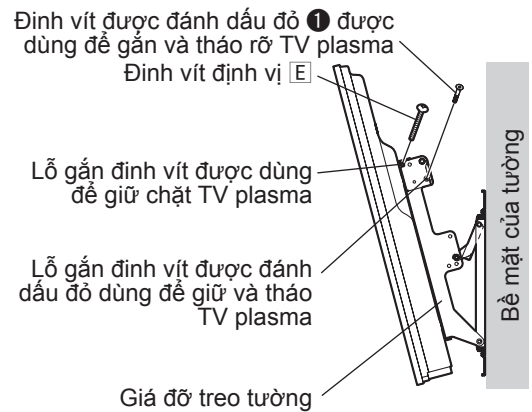


7. Gắn TV plasma lên

- ① Lắp các đinh vít định vị [E] (2) vào hố gắn đinh vít ở các bên (trái và phải) của giá đỡ treo tường.
- ② Siết chặt các đinh vít được đánh dấu đỏ bên trái và phải ① (một ở bên trái và một ở bên phải) vào các lỗ gắn đinh vít đánh dấu đỏ bên cạnh của giá đỡ treo tường.
(Siết chặt mômen quay: từ 1,2 đến 1,5 N•m)

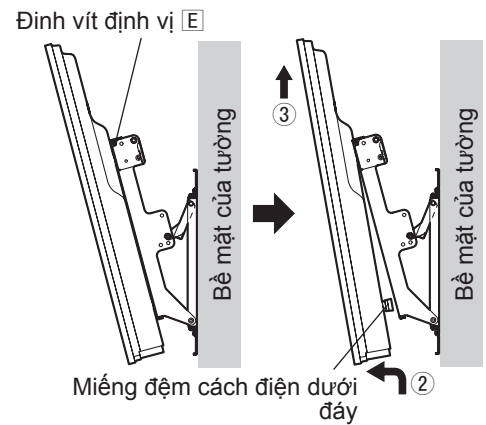
Ghi chú

- Để tránh không cho mối nối giữa TV plasma và giá đỡ treo tường trở nên lỏng lẻo, hãy siết chặt đinh vít định vị [E] ở phía trái và phải đến tận chân đế của giá đỡ.



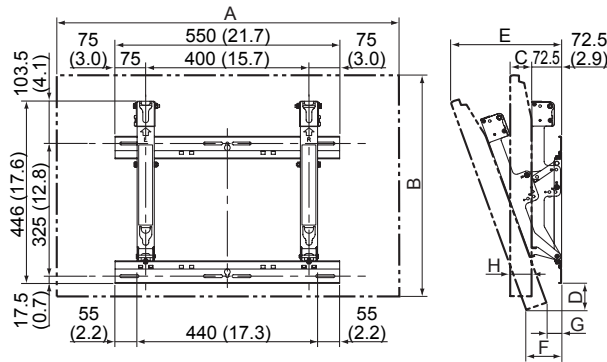
8. Cách thức tháo dỡ TV plasma khỏi giá đỡ treo tường

- ① Tháo các đinh vít định vị [E] (một ở bên trái và một ở bên phải) gắn ở các mặt của giá đỡ treo tường.
- ② Trong khi nâng phần đáy của TV plasma, hãy kéo TV plasma về phía bạn.
- ③ Ngay khi miếng đệm cách điện ở dưới đáy của TV được tháo ra, hãy nâng TV plasma theo chiều thẳng đứng.



Wall-hanging bracket (Adjustable angle type)
Wandhalterung (Typ mit einstellbarem Winkel)
Muurbevestigingssteun (met verstelbare montagehoek)
Staffa di montaggio alla parete (con angolazione regolabile)
Applique de fixation au mur (type à angle réglable)
Soporte para colgar en pared (Tipo de ángulo ajustable)
Suporte de instalação na parede (Ângulo ajustável)
Väggupphängningshållare (vinklingsbar typ)
Vægophæng (justerbar vinkeltype)
Кронштейн для крепления на стену (Модель с регулируемым углом)
Настінний кронштейн (для монтажу із можливістю регулювання кута нахилу)
壁掛式框架 (角度可調型)
Giá đỡ treo tường (loại góc có thể điều chỉnh)

External dimensions drawing
Abbildung mit externen Abmessungen
Tekening met buitenafmetingen
Schema delle dimensioni esterne
Plan des dimensions extérieures
Dibujo de dimensiones externas
Desenho das dimensões externas
Detaljsskiss över yttermått
Tegning af udvendige mål
Схема с внешними размерами
Креслення зовнішніх розмірів
外部尺寸图
Bản vẽ kích thước ngoài



(Unit : mm (inches))
 (Einheit: mm)
 (Eenheid: mm)
 (Unità: mm)
 (Unité : mm)
 (Unidad: mm)
 (Unidade : mm)
 (Enhet: mm)
 (Enhed: mm)
 (Единицы: мм)
 (Одиниці виміру: мм)
 (單位: 毫米)
 (Đơn vị: mm)

External dimensions table
Tabelle mit externen Abmessungen
Tabel met buitenafmetingen
Tabella delle dimensioni esterne
Tableau des dimensions extérieures
Tabla de dimensiones externas
Tabela com as dimensões externas

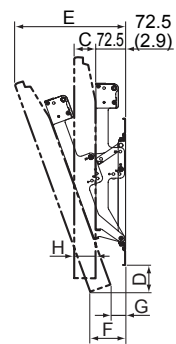
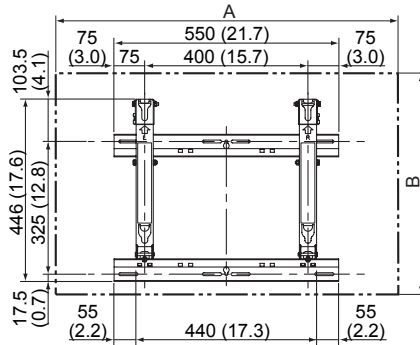
Yttermåttstabell
Oversigt over udvendige mål
Таблица внешних размеров
Таблиця зовнішніх розмірів
外形尺寸
Bảng kích thước ngoài

<ul style="list-style-type: none"> • Applicable models • Zutreffende Modelle • Modellen waarop van toepassing • Modelli applicabili • Modèles concernés • Modelos aplicables • Modelos a que se aplicam 	<ul style="list-style-type: none"> • Modell • Anvendelige modeller • Подходящие модели • Модели • 适用型号 • Các mô hình áp dụng 	<ul style="list-style-type: none"> • Dimensions • Abmessungen • Afmetingen • Dimensioni • Dimensiones • Dimensões 	<ul style="list-style-type: none"> • Mått • Mål • Размеры • Розміри • 尺寸 • Kích thước 	<ul style="list-style-type: none"> • Attachment angle • Anbringningsvinkel • Montagehoek • Angolo di collegamento • Angle de montage • Ângulo de ajuste • Ângulo de montagem 					<ul style="list-style-type: none"> • Monteringsvinkel • Fastgørelsesvinkel • Угол прикреплeния • Кут нахилу • 角度 • Góc nối 				
				0°	5°	10°	15°	20°	0°	5°	10°	15°	20°
				mm (inches) MM / 毫米	mm (inches) MM / 毫米	mm (inches) MM / 毫米	mm (inches) MM / 毫米	mm (inches) MM / 毫米	mm (inches) MM / 毫米	mm (inches) MM / 毫米	mm (inches) MM / 毫米	mm (inches) MM / 毫米	mm (inches) MM / 毫米
		A	929 (36.6)										
		B	596 (23.5)										
		C	95 (3.7)										
		D	37 (1.5)	48 (1.9)	58 (2.3)	68 (2.7)	77 (3.0)						
		E	168 (6.6)	209 (8.2)	250 (9.8)	288 (11.3)	325 (12.8)						
		F	182 (7.2)	173 (6.8)	163 (6.4)	152 (6.0)	141 (5.6)						
		G	74 (2.9)	67 (2.6)	60 (2.4)	52 (2.0)	44 (1.7)						
		H	109 (4.3)										
TX-P37X10E TX-P37X10B TX-P37X10Y TX-PF37X10 TX-P37X10L TX-PR37X10 TX-PR37X11													

• Applicable models • Zutreffende Modelle • Modellen waarop van toepassing • Modelli applicabili • Modèles concernés • Modelos aplicables • Modelos a que se aplicam	• Modell • Anvendelige modeller • Подходящие модели • Модели • 适用型号 • Các mô hình áp dụng	• Dimensions • Abmessungen • Afmetingen • Dimensioni • Dimensões • Dimensões	• Mått • Mål • Размеры • Розміри • 尺寸 • Kích thước	• Attachment angle • Anbringungswinkel • Montagehoek • Angolo di collegamento • Angle de montage • Ângulo de ajuste • Ângulo de montagem					• Monteringsvinkel • Fastgørelsesvinkel • Угол прикреплeния • Кут нахилу • 角度 • Góc nối																			
				0°					5°					10°					15°					20°				
				mm (inches) MM / 毫米					mm (inches) MM / 毫米					mm (inches) MM / 毫米					mm (inches) MM / 毫米					mm (inches) MM / 毫米				
TX-P42X10E TX-P42X10B TX-PF42X10 TX-P42X10L TX-P42X10Y TX-PR42X10 TX-PR42X11 TX-PR42X12 TX-PR42S11 TX-PR42S12 TX-P42S10B TX-PR42S10 TX-PF42S10 TX-P42S10ES TX-P42S10E TX-P42S10L TX-PR42S14 TC-P42X1 TC-42PX14 TC-42PS14 TC-P42S1 TC-P42S10L TC-P42S10B TC-P42X10L TC-P42X10A TC-P42X10B	TC-P42S1X TC-P42X1X TH-P42X10C TH-P42X10S TH-P42X10K TH-P42X10T TH-P42X10D TH-P42X10M TH-P42X10R TH-P42X10P TH-P42X10A TH-P42X10Z TH-P42S10S TH-P42S10K TH-P42S10T TH-P42S10D TH-P42S10C TH-P42S10M TH-P42S10R TH-P42S10P TH-P42S10A TH-P42S10Z TH-P42S10H TH-P42S10W TH-P42X10W	A	1029 (40.5)																									
		B	661 (26.0)																									
		C	95 (3.7)																									
		D	37 (1.5)	48 (1.9)	58 (2.3)	68 (2.7)	77 (3.0)																					
		E	168 (6.6)	215 (8.5)	261 (10.3)	305 (12.0)	347 (13.7)																					
		F	182 (7.2)	173 (6.8)	163 (6.4)	152 (6.0)	141 (5.6)																					
		G	74 (2.9)	67 (2.6)	60 (2.4)	53 (2.1)	45 (1.8)																					
		H	109 (4.3)																									
TX-P46S10B TX-P46S10E TX-PR46S10 TX-PF46S10 TC-P46S1 TC-P46S1X TH-P46S10C TH-P46S10A TH-P46S10Z	A	1132 (44.6)																										
	B	722 (28.4)																										
	C	95 (3.7)																										
	D	54 (2.1)	65 (2.6)	75 (3.0)	85 (3.3)	94 (3.7)																						
	E	168 (6.6)	219 (8.6)	269 (10.6)	316 (12.4)	362 (14.3)																						
	F	182 (7.2)	171 (6.7)	160 (6.3)	148 (5.8)	135 (5.3)																						
	G	74 (2.9)	66 (2.6)	57 (2.4)	48 (1.9)	39 (1.5)																						
	H	109 (4.3)																										
TX-P50X10E TX-P50X10B TX-PF50X10 TX-PR50X10 TX-P50X10Y TX-P50S10B TX-P50S10E TX-PR50S10 TX-PF50S10 TX-PR50S11 TC-P50X1 TC-50PX14 TC-P50S1 TC-50PS14 TC-P50X10L TC-P50X10A TC-P50X1X TC-P50S1X TC-P50X10B TC-P50S10L TC-P50S10B TH-P50X10C	TH-P50X10A TH-P50X10Z TH-P50X10S TH-P50X10K TH-P50X10T TH-P50X10D TH-P50X10M TH-P50X10R TH-P50X10P TH-P50S10S TH-P50S10K TH-P50S10T TH-P50S10D TH-P50S10C TH-P50S10M TH-P50S10R TH-P50S10P TH-P50S10A TH-P50S10Z TH-P50S10H TH-P50S10W	A	1218 (48.0)																									
		B	769 (30.3)																									
		C	95 (3.7)																									
		D	69 (2.7)	80 (3.1)	90 (3.5)	100 (3.9)	108 (4.3)																					
		E	168 (6.6)	222 (8.7)	274 (10.8)	325 (12.8)	375 (14.8)																					
		F	182 (7.2)	170 (6.7)	157 (6.2)	144 (5.7)	130 (5.1)																					
		G	74 (2.9)	64 (2.5)	55 (2.2)	45 (1.8)	34 (1.3)																					
		H	109 (4.3)																									
TX-P42G10E TX-P42G10B TX-PF42G10 TX-P42GW10 TX-P42G10L TX-P42GQ11 TX-PR42G10 TX-PR42G11 TX-P42GS11 TX-P42GF12 TX-P42GN13 TX-P42GT13 TX-P42G15B TX-P42G15E TX-P42G16B TX-P42G16E TX-P42GT14 TX-PR42G12 TC-P42G10	TC-P42G11B TC-P42G10X TC-P42G15 TC-P42G11B TH-P42G10S TH-P42G10K TH-P42G10T TH-P42G10D TH-P42G10C TH-P42G11C TH-P42G10M TH-P42G10R TH-P42G10P TH-P42G10A TH-P42G10Z TH-P42G10H TH-P42G11S TH-P42G15A TH-P42G10W	A	1029 (40.5)																									
		B	661 (26.0)																									
		C	96 (3.8)																									
		D	37 (1.5)	48 (1.9)	58 (2.3)	67 (2.6)	76 (3.0)																					
		E	168 (6.6)	216 (8.5)	261 (10.3)	306 (12.0)	347 (13.7)																					
		F	181 (7.1)	172 (6.8)	162 (6.4)	152 (6.0)	141 (5.6)																					
		G	74 (2.9)	67 (2.6)	60 (2.4)	53 (2.1)	45 (1.8)																					
		H	108 (4.3)																									

Wall-hanging bracket (Adjustable angle type)
Wandhalterung (Typ mit einstellbarem Winkel)
Muurbevestigingssteun (met verstelbare montagehoek)
Staffa di montaggio alla parete (con angolazione regolabile)
Applique de fixation au mur (type à angle réglable)
Soporte para colgar en pared (Tipo de ángulo ajustable)
Suporte de instalação na parede (Ângulo ajustável)
Väggupphängningshållare (vinklingsbar typ)
Vægophæng (justerbar vinkeltype)
Кронштейн для крепления на стену (Модель с регулируемым углом)
Настінний кронштейн (для монтажу із можливістю регулювання кута нахилу)
壁挂式框架 (角度可调型)
Giá đỡ treo tường (loại góc có thể điều chỉnh)

External dimensions drawing
Abbildung mit externen Abmessungen
Tekening met buitenafmetingen
Schema delle dimensioni esterne
Plan des dimensions extérieures
Dibujo de dimensiones externas
Desenho das dimensões externas
Detaljsskiss över yttermått
Tegning af udvendige mål
Схема с внешними размерами
Креслення зовнішніх розмірів
外部尺寸图
Bản vẽ kích thước ngoài



(Unit : mm (inches))
 (Einheit: mm)
 (Eenheid: mm)
 (Unità: mm)
 (Unité : mm)
 (Unidad: mm)
 (Unidade : mm)
 (Enhet: mm)
 (Enhed: mm)
 (Единицы: мм)
 (Одиниці виміру: мм)
 (单位: 毫米)
 (Đơn vị: mm)

External dimensions table
Tabelle mit externen Abmessungen
Tabel met buitenafmetingen
Tabella delle dimensioni esterne
Tableau des dimensions extérieures
Tabla de dimensiones externas
Tabela com as dimensões externas

Yttermåttstabell
Oversigt over udvendige mål
Таблица внешних размеров
Таблиця зовнішніх розмірів
外形尺寸
Bảng kích thước ngoài

• Applicable models • Zutreffende Modelle • Modellen waarop van toepassing • Modelli applicabili • Modèles concernés • Modelos aplicables • Modelos a que se aplicam	• Modell • Anvendelige modeller • Подходящие модели • Модели • 适用型号 • Các mô hình áp dụng	• Dimensions • Abmessungen • Afmetingen • Dimensioni • Dimensiones • Dimensiones • Dimensões	• Mått • Mål • Размеры • Розміри • 尺寸 • Kích thước	• Attachment angle • Anbringungswinkel • Montagehoek • Angolo di collegamento • Angle de montage • Ângulo de ajuste • Ângulo de montagem					• Monteringsvinkel • Fastgørelsesvinkel • Угол прикрепления • Кут нахилу • 角度 • Góc nối																			
				0°					5°					10°					15°					20°				
				mm (inches) MM / 毫米					mm (inches) MM / 毫米					mm (inches) MM / 毫米					mm (inches) MM / 毫米					mm (inches) MM / 毫米				
TX-P46G10E TX-P46G10B TX-PF46G10 TX-P46GW10 TX-P46G10L TX-P46GT13 TX-P46GQ11 TX-PR46G10 TX-P46GS11 TX-P46G15B TX-P46G15E	TX-P46G16B TX-P46G16E TX-P46GT14 TX-PR46G11 TC-P46G10 TC-P46G15 TH-P46G10C TH-P46G10A TH-P46G10H TH-P46G10W TH-P46G11C	A	1132 (44.6)																									
		B	722 (28.4)																									
		C	96 (3.8)																									
		D	54 (2.1)	65 (2.6)	75 (3.0)	84 (3.3)	92 (3.6)																					
		E	168 (6.6)	219 (8.6)	269 (10.6)	317 (12.5)	362 (14.3)																					
		F	181 (7.1)	170 (6.7)	159 (6.3)	147 (5.8)	135 (5.3)																					
		G	74 (2.9)	66 (2.6)	57 (2.4)	48 (1.9)	39 (1.5)																					
		H	108 (4.3)																									
				A	1218 (48.0)																							
TX-P50G10E TX-P50G10B TX-PF50G10 TX-PR50G10 TX-P50G10L TX-P50GW10 TX-PR50G11 TC-P50G10 TC-P50G11B	TC-P50G10X TC-P50G15 TH-P50G10C TH-P50G11C TH-P50G10A TH-P50G10Z TH-P50G15A TH-P50G10W TH-P50G10D	B	769 (30.3)																									
		C	96 (3.8)																									
		D	69 (2.7)	80 (3.1)	90 (3.5)	99 (3.9)	106 (4.2)																					
		E	168 (6.6)	222 (8.7)	274 (10.8)	325 (12.8)	373 (14.7)																					
		F	181 (7.1)	170 (6.7)	156 (6.1)	143 (5.6)	129 (5.1)																					
		G	74 (2.9)	65 (2.6)	55 (2.2)	45 (1.8)	34 (1.3)																					
		H	108 (4.3)																									
				A	929 (36.6)																							
				B	596 (23.5)																							
TX-P37C10Y TX-PR37C10 TX-PR37C11 TX-P37C10E		C	95 (3.7)																									
		D	37 (1.5)	48 (1.9)	58 (2.3)	68 (2.7)	78 (3.1)																					
		E	168 (6.6)	209 (8.2)	250 (9.8)	288 (11.3)	325 (12.8)																					
		F	173 (6.8)	166 (6.5)	156 (6.1)	146 (5.7)	134 (5.3)																					
		G	74 (2.9)	67 (2.6)	60 (2.4)	53 (2.1)	45 (1.8)																					
		H	102 (4.0)																									

• Applicable models • Zutreffende Modelle • Modellen waarop van toepassing • Modelli applicabili • Modèles concernés • Modelos aplicables • Modelos a que se aplicam	• Modell • Anvendelige modeller • Подходящие модели • Модели • 适用型号 • Các mô hình áp dụng	• Dimensions • Abmessungen • Afmetingen • Dimensioni • Dimensões • Dimensões	• Mått • Mål • Размеры • Розміри • 尺寸 • Kích thước	• Attachment angle • Anbringungswinkel • Montagehoek • Angolo di collegamento • Angle de montage • Ángulo de ajuste • Ângulo de montagem					• Monteringsvinkel • Fastgørelsesvinkel • Угол прикреплeния • Кут нахилу • 角度 • Góc nối					
				0°	5°	10°	15°	20°	0°	5°	10°	15°	20°	
				mm (inches) MM / 毫米	mm (inches) MM / 毫米	mm (inches) MM / 毫米	mm (inches) MM / 毫米	mm (inches) MM / 毫米	mm (inches) MM / 毫米	mm (inches) MM / 毫米	mm (inches) MM / 毫米	mm (inches) MM / 毫米	mm (inches) MM / 毫米	mm (inches) MM / 毫米
TX-P42C10Y TX-PR42C10 TX-P42U10E TX-PR42U10 TX-PR42U11 TX-PR42U12 TX-PR42C11 TX-P42C10E	TH-P42C10S TH-P42C10K TH-P42C10T TH-P42C10D TH-P42C10M TH-P42C10R TH-P42C10P	A	1029 (40.5)											
		B	661 (26.0)											
		C	95 (3.7)											
		D	37 (1.5)	48 (1.9)	58 (2.3)	68 (2.7)	77 (3.0)							
		E	168 (6.6)	215 (8.5)	261 (10.3)	305 (12.0)	347 (13.7)							
		F	176 (6.9)	166 (6.5)	156 (6.1)	146 (5.7)	134 (5.3)							
		G	74 (2.9)	67 (2.6)	60 (2.4)	53 (2.1)	45 (1.8)							
		H	102 (4.0)											
				A	1218 (48.0)									
TX-P50C10Y TX-PR50C10 TX-P50U10E TX-PR50U10 TX-P50C10E TX-PR50U11 TH-P50C10S	TH-P50C10K TH-P50C10T TH-P50C10D TH-P50C10M TH-P50C10R TH-P50C10P	B	769 (30.3)											
		C	95 (3.7)											
		D	69 (2.7)	80 (3.1)	90 (3.5)	99 (3.9)	108 (4.3)							
		E	168 (6.6)	222 (8.7)	274 (10.8)	325 (12.8)	373 (14.7)							
		F	176 (6.9)	163 (6.4)	151 (5.9)	137 (5.4)	123 (4.8)							
		G	74 (2.9)	65 (2.6)	55 (2.2)	45 (1.8)	34 (1.3)							
		H	102 (4.0)											
				A	1029 (40.5)									
		TC-P42C1 TC-P42U1 TC-P42U1X			B	661 (26.0)								
			C	95 (3.7)										
			D	37 (1.5)	48 (1.9)	58 (2.3)	69 (2.7)	78 (3.1)						
			E	168 (6.6)	215 (8.5)	260 (10.2)	303 (11.9)	344 (13.5)						
			F	181 (7.1)	172 (6.8)	162 (6.4)	151 (5.9)	140 (5.5)						
			G	74 (2.9)	67 (2.6)	60 (2.4)	53 (2.1)	45 (1.8)						
			H	108 (4.3)										
			A	1132 (44.6)										
TC-P46U1			B	722 (28.4)										
			C	95 (3.7)										
			D	54 (2.1)	65 (2.6)	75 (3.0)	86 (3.4)	95 (3.7)						
			E	168 (6.6)	218 (8.6)	267 (10.5)	314 (12.4)	358 (14.1)						
			F	181 (7.1)	170 (6.7)	159 (6.3)	147 (5.8)	134 (5.3)						
			G	74 (2.9)	66 (2.6)	57 (2.2)	48 (1.9)	39 (1.5)						
			H	108 (4.3)										
			A	1218 (48.0)										
	TC-P50C1 TC-P50U1			B	769 (30.3)									
		C	95 (3.7)											
		D	69 (2.7)	80 (3.1)	90 (3.5)	100 (3.9)	109 (4.3)							
		E	168 (6.6)	221 (8.7)	273 (10.7)	322 (12.7)	370 (14.6)							
		F	181 (7.1)	169 (6.7)	156 (6.1)	143 (5.6)	129 (5.1)							
		G	74 (2.9)	65 (2.6)	55 (6.2)	45 (1.8)	34 (1.3)							
		H	108 (4.3)											
		A	1052 (41.4)											
TX-P42V10B TX-P42V10E TX-PR42V10				B	668 (26.3)									
			C	83 (3.3)										
			D	37 (1.5)	47 (1.9)	57 (2.2)	65 (2.6)	73 (2.9)						
			E	156 (6.1)	204 (8.0)	251 (9.9)	297 (11.7)	340 (13.4)						
			F	158 (6.2)	148 (5.8)	138 (5.4)	127 (5.0)	116 (4.6)						
			G	74 (2.9)	67 (2.6)	57 (2.2)	48 (1.9)	38 (1.5)						
			H	84 (3.3)										
			A	1241 (48.9)										
	TX-P50V10B TX-P50V10E TX-PR50V10 TC-P50V10 TC-P50V11B TC-P50V11L TH-P50V10S TH-P50V10T TH-P50V10D	TH-P50V10M TH-P50V10R TH-P50V10P TH-P50V10A TH-P50V10Z TH-P50V10H TH-P50V11S	B	774 (30.5)										
C			83 (3.3)											
D			37 (1.5)	47 (1.9)	57 (2.2)	65 (2.6)	73 (2.9)							
E			156 (6.1)	213 (8.4)	270 (10.6)	324 (12.8)	376 (14.8)							
F			158 (6.2)	148 (5.8)	138 (5.4)	127 (5.0)	116 (4.6)							
G			74 (2.9)	67 (2.6)	57 (2.2)	48 (1.9)	38 (1.5)							
H			84 (3.3)											

Panasonic Corporation

Web Site : <http://panasonic.net>