



Before using your air-conditioner, please read this operating instructions carefully and keep it for future reference.



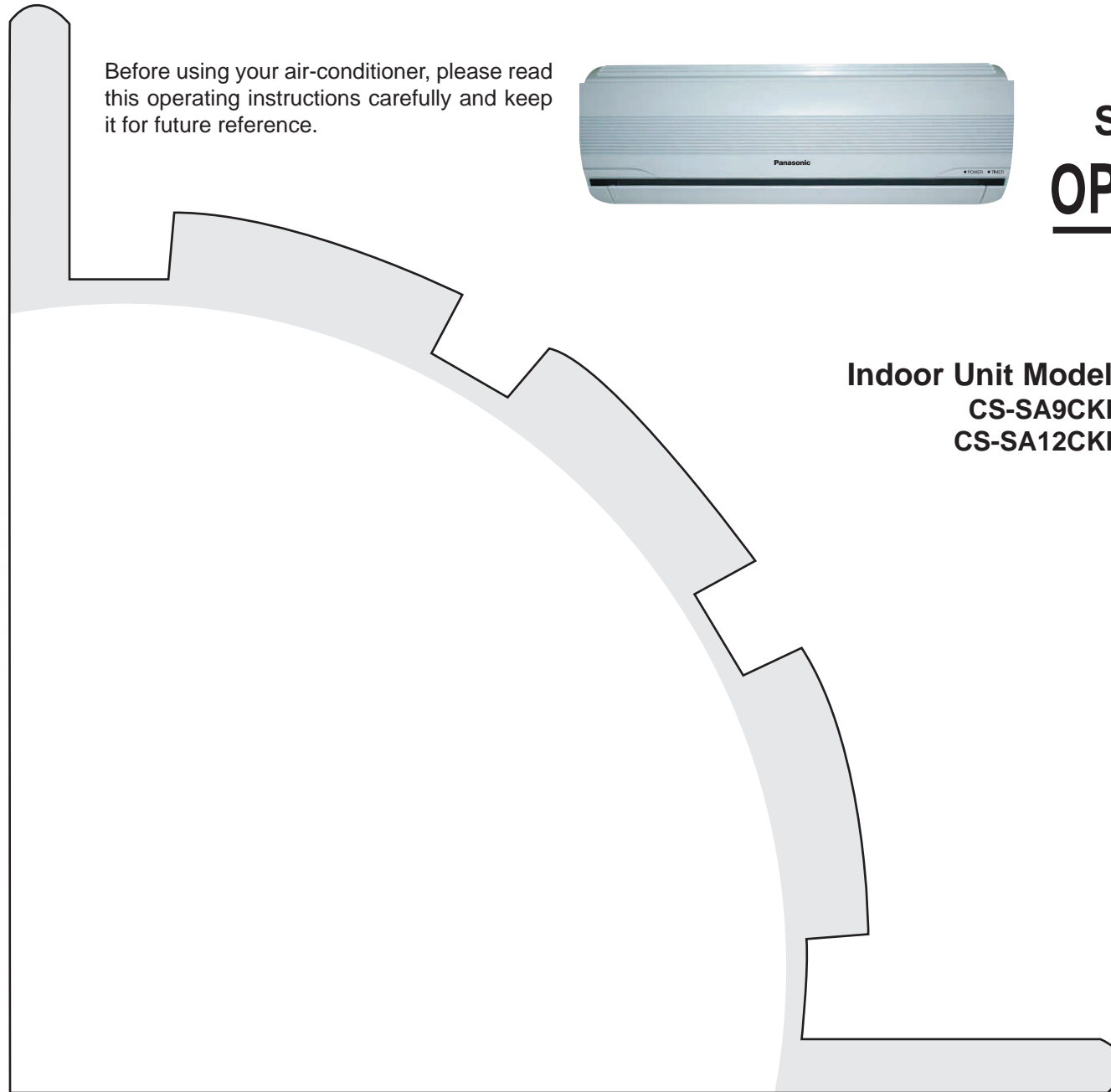
Panasonic

Split Type Room Air Conditioner

OPERATING INSTRUCTIONS

Indoor Unit Model:
CS-SA9CKP
CS-SA12CKP

Outdoor Unit Model:
CU-SA9CKP5
CU-SA12CKP5



ENGLISH	P. 1	— P. 8
PORTUGUÊS	P. 9	— P. 16
DEUTSCH	P. 17	— P. 24
FRANÇAIS	P. 25	— P. 32
NEDERLAND	P. 33	— P. 40
ITALIANO	P. 41	— P. 48
GREEK	P. 49	— P. 56
ESPAÑOL	P. 57	— P. 64
RUSSIAN	P. 65	— P. 73

MATSUSHITA AIR-CONDITIONING CORP.
XIECUN, ZHONGCUN TOWN, PANYU DISTRICT.
GUANGZHOU CITY, GUANGDONG PROVINCE, CHINA

F563553

Thank you very much for purchasing Panasonic Split Type Room Air Conditioner.

CONTENTS

▶ Safety Precautions	1~2
■ Installation Precautions	
■ Operation Precautions	
▶ Name of Each Part	2~3
■ Indoor Unit	
■ Outdoor Unit	
■ Accessories	
▶ Basic Operation	4~5
▶ Setting the Timer	5
▶ Care and Maintenance	5~6
■ Cleaning the Indoor Unit and Remote Control	
■ Cleaning the Air Filter	
■ Cleaning the Front Panel	
■ Pre-season Inspection	
■ When the Air Conditioner is Not Used for an Extended Period of Time	
■ Recommended Inspection	
▶ Helpful Information	6
▶ Energy Saving and Operation Hints	6
▶ Trouble Shooting	7
■ Normal Operation	
■ Abnormal Operation	
■ Call the Dealer Immediately	
▶ Evaluation of the Performance	8
▶ Safety Notes	8

SAFETY PRECAUTIONS

Before operating, please read the following "Safety Precautions" carefully.

- To prevent personal injury, injury to others and property damage, the following instructions must be followed.
- Incorrect operation due to failure to follow instructions will cause harm or damage, the seriousness of which is classified as follow:

Warning

This sign warns of death or serious injury.

Caution

This sign warns of injury or damage to property.

- The instructions to be followed are classified by the following symbols:



This symbol (with a white background) denotes an action that is PROHIBITED.



These symbols (with a black background) denote actions that are COMPULSORY.

■ Installation Precautions

Warning



Do not install, relocate or repair the unit by yourself.



This air conditioner must be earthed.
Improper grounding could cause electric shock or fire.

Caution

Ensure that the following installation precautions have been applied before installing the air conditioner.



■ **The power socket must be earthed.**
Improper grounding may cause current leakage.



■ **Ensure that the drainage pipings are properly connected.**
Water leakage could happen due to improper connection thus cause inconvenience.



■ **Do not install the unit in a potentially explosive atmosphere. Otherwise, fire or other hazard may occur.**



■ Operation Precautions

⚠ Warning

This sign warns of death or serious injury.



- Do not share outlet.
- Do not insert plug to operate the unit. Do not pull out plug to stop the unit.
- Do not operate with wet hands.
- Do not damage or modify the power cord.
- Do not insert finger or other objects into the indoor or outdoor units.
- Do not expose directly to cold air for a long period.



- Plug in properly.
- Use specified power cord.



- If abnormal condition (burnt smell, etc.) occurs, switch off and unplug the power supply.



⚠ Caution

This sign warns of injury.



- Do not pull the cord to disconnect the plug.
- Do not wash the unit with water.
- Do not use for other purposes such as preservation.
- Do not use any combustible equipment at airflow direction.
- Do not sit or place anything on the outdoor unit.



- Switch off the power supply before cleaning.
- Ventilate the room regularly.
- Pay attention as to whether the installation rack is damaged after long period of usage.

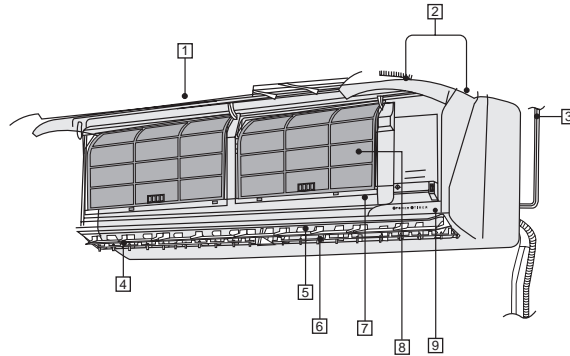


- Switch off the power supply if the unit is not used for a long period.



NAME OF EACH PART

■ Indoor Unit



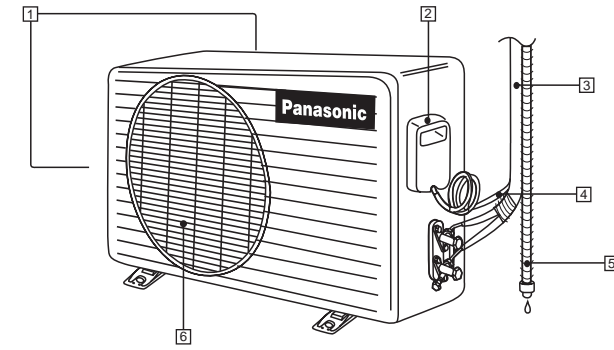
- 1 Front Panel
- 2 Air Intake Vent
- 3 Power Supply Cord
- 4 Air Outlet Vent
- 5 Vertical Airflow Direction Louver
- 6 Horizontal Airflow Direction Louver (manually adjusted)
- 7 Auto Operation Button (when the front panel is opened)
- 8 Air Filters
- 9 Indicator Panel

- **POWER** : Green (Operation)
- **TIMER** : Orange

Auto Operation / Test Run Operation

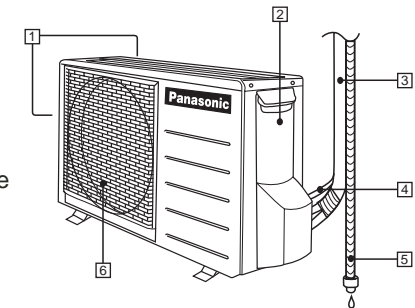
If the remote control not available, press the button for Auto Operation. Keeping this button depressed for more than 5 seconds to start the Test Run Operation (cooling only), for the purpose of installation or repairment only.

■ Outdoor Unit



CU-SA9CKP5

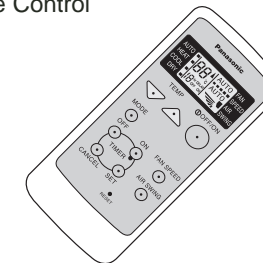
- 1 Air Intake Vents
- 2 Ground Terminal (Inside cover)
- 3 Piping
- 4 Connecting Cable
- 5 Drain Hose
- 6 Air Outlet Vent



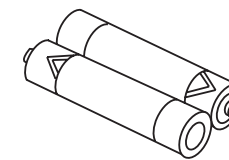
CU-SA12CKP5

■ Accessories

- Remote Control

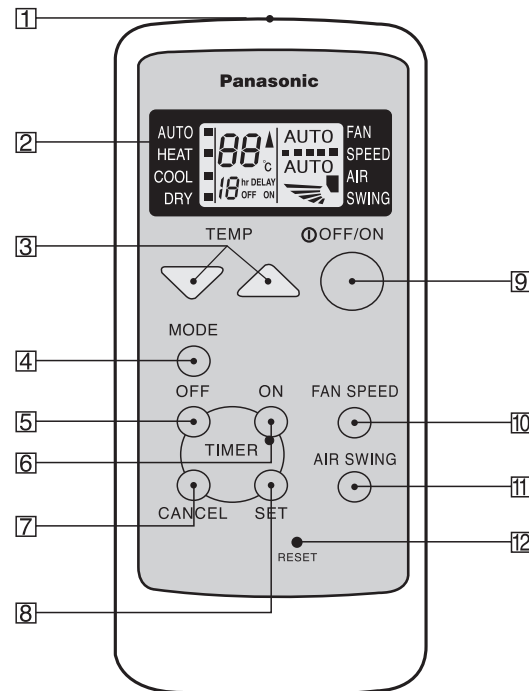


- Two dry-cell batteries.



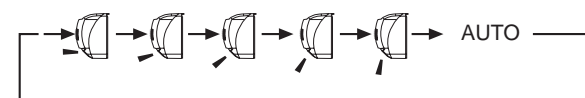
NAME OF EACH PART

Remote Control



- 1 Signal Transmitter
- 2 Display Panel
- 3 Room Temperature Setting Button
- 4 Operation Mode Selection Button
- 5 OFF-Timer Button
- 6 ON-Timer Button
- 7 Timer Cancellation Button
- 8 Timer Setting Button
- 9 Operation Button (OFF/ON)
- 10 Fan Speed Selection Button
- 11 Airflow Direction Control Button

- Display of air flow direction, changing as follow:



12 RESET Button

If the display is chaotic or can not be adjusted, use a pin to gently press this button to reset the remote control to the original set by manufacturer.

Remote Control Signal

- Make sure it is not obstructed.
- Maximum distance: 10 m.
- Signal received sound.
One short beep or one long beep.

Notes for Remote Control

- Direct the remote control towards the signal receiver of the Indoor Unit.
- Do not drop or throw the remote control.
- Do not leave the remote control in a place subject to direct sunlight or near heat sources such as radiator.
- Do not get it wet.

How to Insert the Batteries

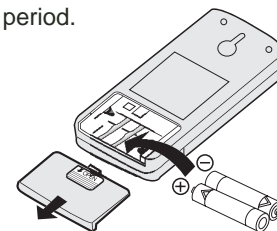
- 1 Remove the remote control back cover completely
- 2 Insert the batteries
– Be sure the direction is correct

About the Batteries

- Can be used for approximately one year.

Observe the Following When Replacing the Batteries

- 1 Replace with two new batteries of the same type.
- 2 Do not use rechargeable batteries (Ni-Cd).
- 3 Remove the batteries if the unit is not to be used for a long period.



To Start the Operation

- Press operation **OFF/ON** button.
- POWER indicator (green) on the indoor unit will light up.
- To stop, press operation **OFF/ON** once more.

Setting Mode

- Press **MODE** to select:
 - AUTO – Automatic Operation
 - HEAT – Heating Operation
 - COOL – Cooling Operation
 - DRY – Soft Dry Operation

Setting Temperature

- Press **TEMP** to increase or decrease the temperature.
- The temperature can be set between 16°C ~ 30°C.
- Recommended setting temperature:
 - Heating – 19°C ~ 23°C
 - Cooling – 24°C ~ 26°C
 - Soft Dry – 20°C ~ 24°C

Fan Speed Control

- Press **FAN SPEED** to select:

Fan Speed	Remote Control Display
AUTO	AUTO Fan Speed
LO	■ Fan Speed
MED	■■■ Fan Speed
HIGH	■■■■ Fan Speed



■ Automatic Operation

- 1 Press operation selection **MODE** button, the cursor key points to **AUTO**.
- 2 Press operation **OFF/ON** button, the operation lamp of the air conditioner will flash momentarily, and then lights up.

Notes: 1. During Automatic Operation, the operation mode will be selected automatically in accordance with the room temperature.

↑ Intake air temperature	23°C	Cooling Operation
		Soft Dry Operation
	20°C	Heating Operation

2. During Automatic Operation, the adjustable temperature range is $\pm 2^{\circ}\text{C}$. By pressing Δ or ∇ button, **Hi** or **Lo** will appear in the remote control display accordingly.
3. During Automatic Operation with AUTO Fan Speed:

Heating: When the room temperature is low, the fan will be at low speed. As the room temperature rising, fan will speed up.

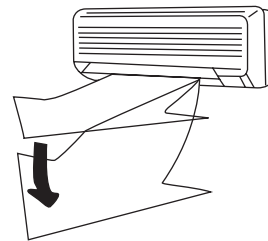
Cooling: Auto Fan Speed will run at a High fan speed initially. It stops when it reaches the set temperature. Then, it will start operating again at Low fan speed. During Cooling and Soft Dry operations, the fan will start operating 40 seconds later.

■ Heating Operation

- 1 Press operation selection **MODE** button, the cursor key points to **HEAT**.
- 2 Press operation **OFF/ON** button, the operation lamp of the air conditioner will flash momentarily, and then lights up.
- 3 Press Δ or ∇ button to set the room temperature.

Notes:

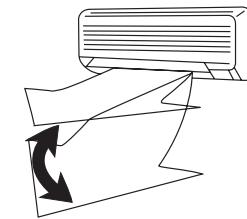
- Heat is obtained from outdoor air to warm up the room. When the outdoor ambient air temperature falls, the heating capacity of the unit might be reduced.
- Defrosting Operation
Depend on the outdoor temperature, the operation occasionally stops to melt the frost on the outdoor unit.



■ Cooling Operation

- 1 Press operation selection **MODE** button, the cursor key points to **COOL**.
- 2 Press operation **OFF/ON** button, the operation lamp of the air conditioner will light up.
- 3 Press Δ or ∇ button to set the room temperature.

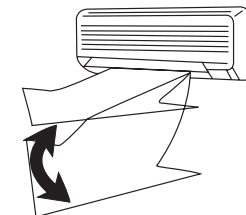
Note: When setting the automatic airflow during Cooling Operation, changes in speed and movements of louvers, which swing in up and down manner forms a natural breeze condition.



■ Soft Dry Operation

- 1 Press operation selection **MODE** button, the cursor key points to **DRY**.
- 2 Press operation **OFF/ON** button, the operation lamp of the air conditioner will light up.
- 3 Press Δ or ∇ button to set the room temperature.

Notes: 1. The purposes of Soft Dry Operation : to maintain the room temperature at the set temperature, prior to dehumidification.
2. When setting the automatic airflow during Soft Dry Operation, changes in speed and movements of louvers, which swing in up and down manner forms a natural breeze condition.
3. During Soft Dry Operation, the fan will run at Low fan speed, and on/off operation will occur occasionally.



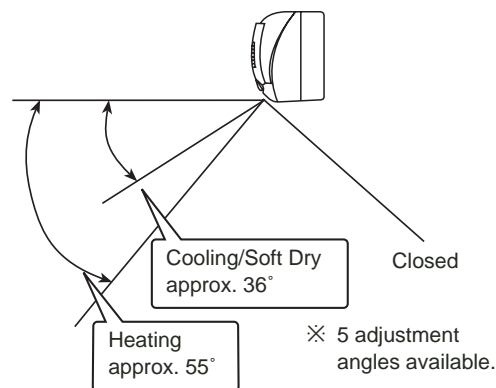
Recommendation : Select this mode in the rainy day or when the humidity is high.



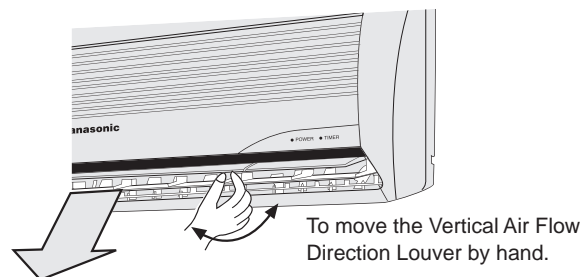


■ Setting the Vertical Airflow Direction

- Press **AIR SWING** button to select.
- The adjustment angles of the airflow direction louvers for Heating, Cooling and Soft Dry operations are different.

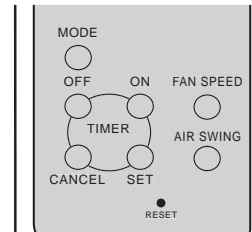


- Ensure that the angles of the vertical airflow direction louvers are adjusted by using the remote control. If it were manually adjusted, the proper mechanism of the louvers may be affected. If such a case, turn off the air conditioner temporarily and then restart the operation.
- During Cooling and Soft Dry operations, please avoid the vertical airflow direction louvers from positioning in a downward direction for a long period. Otherwise, if condensation occurred near the airflow direction louver and air outlet vents, it may result in water dripping.
- To adjust the horizontal airflow direction, manually move the Horizontal Airflow Direction Louver.



- After the air conditioner stopped and restarted immediately, the compressor will not operate within 3 minutes. (For compressor protection purposes.)

SETTING THE TIMER



■ ON-TIMER Operation

To start the air conditioner operation automatically.

- Press **ON** to set the operation.
- Press **ON** to increase or decrease the time.
- Then press **SET**.
- To cancel this operation, press **CANCEL**.

■ OFF-TIMER Operation

To stop the air conditioner operation automatically.

- Press **OFF** to set the operation.
- Press **OFF** to increase or decrease the time.
- Then press **SET**.
- To cancel this operation, press **CANCEL**.
- The OFF-TIMER can only be set while the air-conditioner is in operation.

■ Timer Mode Operation Details

- The ON-TIMER and OFF-TIMER cannot be set simultaneously.
- The set time that appears on the remote control display is actually the remaining set time which will appear after every hour of operation.
- If you press operation **OFF/ON** button during the timer setting operation, timer setting will be cancelled. (The timer indicator of the Indoor Unit will go off.)
- When the ON-Timer is set, operation will start before the actual set time. This is to enable room temperature reaches the set temperature at the set time.

COOL – 15 minutes in advance
HEAT, AUTO – 30 minutes in advance

CARE AND MAINTENANCE

■ Cleaning the Indoor Unit and Remote Control

- Wipe gently with a piece of soft, dry cloth.
- Do not use water hotter than 40°C or polishing fluid to clean the unit.

■ Cleaning the Air Filter

(Recommendation:- If the unit is operated in a dusty environment, clean the filters every two weeks, continuous use of this dirty filters will reduce cooling or heating efficiency)

- 1 Remove dirt using a vacuum cleaner.
- 2 Wash back of the air filter with water.
- 3 If badly soiled, wash it with soap or a mild household detergent.
- 4 Let it dry and reinstall it.
× Be sure the "FRONT" mark is facing you.

Damaged air filter.

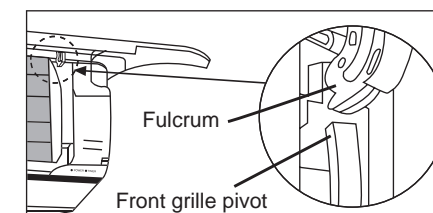
Consult the nearest authorized dealer.
Part No.: CWD001050.

- Do not use benzene, thinner, scouring powder or cloth soaked in caustic chemical to clean the unit.

■ Cleaning the Front Panel

(Must be removed before washing)

- 1 Raise the front panel higher than the horizontal and pull to remove it.
- 2 Gently wash with water and a sponge.
 - Do not press the front panel too hard when washing.
 - When use kitchen cleaning fluid (neutral detergent), rinse thoroughly.
 - Do not dry the front panel under direct sunlight.
- 3 To fix the front panel, raise the front panel horizontally, match the protruding portion on the indoor unit to the fulcrum and push into place.





■ Pre-season Inspection

- **Is the discharged air cold/warm?**
Operation is normal if 15 minutes after the start of operation, the difference between the air intake and outlet vents temperature is:-

Cooling – 8°C or above
Heating – 14°C or above

- **Are the air intake or outlet vents of the indoor or outdoor units obstructed?**
- **Are the remote control batteries weak?**
If the remote control display appears weak, replace the batteries.

■ When the Air Conditioner is Not To Be Used for an Extended Period of Time

- 1 To dry the internal parts of the indoor unit, operate the unit for 2 – 3 hours using:

Operation mode : cooling
Set temperature : 30°C

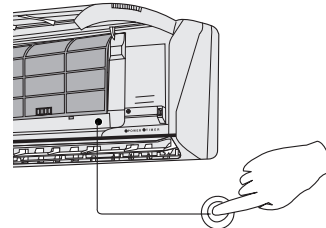
- 2 Turn off the power supply and unplug.
- 3 Remove the remote control batteries.

■ Recommended Inspection

- After used over several seasons, the unit will become dirty and thus decreases the unit's performance. Depending on the operation conditions, a dirty unit may produce odour and dust may pollute dehumidification system. Therefore, a seasonal inspection is recommended in addition to regular cleaning. (Consult an authorized dealer).

HELPFUL INFORMATION

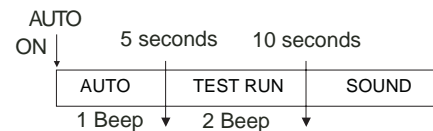
■ Auto Operation Button



■ Automatic Operation

- If the remote control fails to function or has been misplaced, press the Auto Operation button to start the Automatic operation.
- The Automatic operation will be activated immediately once the Auto operation button is pressed. However, temperature cannot be adjusted in this operation.
- The power indicator on the indoor unit will blink until the operation mode is selected automatically.
- To cancel this operation, press this button once more.

■ Remote Control Signal Receiving Sound



- To switch off the beep (Signal Receiving Sound), press the Auto Operation button for 10 seconds continuously or longer.
- Repeat the above steps if you want to switch on the Signal Receiving Sound.

■ Timer Setting

- When power failure occurs, the timer setting will be cancelled. Once power is resumed, reset the timer.

■ Thunder and Lightning

- This air conditioner is equipped with a built-in surge protective device. However, in order to further protect your air conditioner from being damaged by abnormally strong lightning activity, you may switch off the main power supply and unplug from power socket.

ENERGY SAVING AND OPERATION HINTS

■ Setting the Temperature

- Set the temperature higher or lower than the desired temperature.

Cooling Operation : 1°C higher
Heating Operation : 2°C lower
Approximately 10% of electricity can be saved.

■ Air Filters

- Clean the air filters every 2 weeks.
- Dirty filters may reduce cooling or heating efficiency.

■ Keep All Doors and Windows Closed

- Otherwise, cooling or heating performance will be reduced and electricity cost is wasted.

■ Outdoor Unit

- Do not block the air outlet vent. Otherwise, it will lower the cooling or heating performance.

■ Avoid Direct Sunlight

- Keep curtains or drapes closed to avoid direct sunlight during cooling operation.





TROUBLE SHOOTING

■ Normal Operation

Is it okay?

- Air conditioner has been restarted, but does not operate for 3 minutes.
- A sound like water flowing can be heard.
- It seems that fog is coming out from the air conditioner.
- The room has a peculiar odour.
- During Automatic Fan speed, indoor fan stops occasionally.
- The outdoor unit emits water or steam.

This is the answer

- Operation stops for about 12 minutes during heating operation (The power indicator blinks).

- During heating operation, indoor fan may run at on and off conditions.

- ● This is to protect the air conditioner. Wait until the air conditioner begins to operate.
- ● This is the sound of refrigerant flowing inside the air conditioner.
- ● Condensation occurs when the airflow from the air conditioner cools the room.
- ● This may be a damp smell emitted by the wall, carpet, furniture or clothing in the room.
- ● This is to remove smell emitted by the surroundings.
- ● In COOL/DRY operation, moisture in the air condenses into water on the cool surface of outdoor unit piping that causes dripping.
- ● This is to melt the frost which has accumulated on the outdoor unit (defrosting operating). This will take no longer than about 12 minutes. Water drips from the outdoor unit. Wait until this operation ends. (The power indicator will light up). (Frost will accumulate on the outdoor unit when the outdoor temperature is low and humidity is high.)
- ● This is to prevent undesired cooling effect during heating operation.

■ Abnormal Operation

Is it okay?

- **The air conditioner does not operate.**
- **Air conditioner produces loud noise during operation.**
- **The air conditioner does not cool or warm effectively.**

Please check

- ● Has the circuit breaker been tripped?
- ● Has the power plug been removed from the wall outlet?
- ● Is the timer being used correctly?
- ● Is the installation work slanted?
- ● Is the front grille closed properly?
- ● Has the temperature been set incorrectly?
- ● Are the filters dirty?
- ● Are the intake or outlet vents of the outdoor unit obstructed?
- ● Are all windows and doors closed?

■ Call The Dealer Immediately

If the following conditions occur, turn off and unplug the main power supply, and then call the dealer immediately.

- **Abnormal noise is heard during operation.**
- **Water or foreign material gets into the remote control by mistake.**
- **Water leaks from the indoor unit.**
- **Switches or buttons do not operate properly.**
- **The circuit breaker switches off frequently.**
- **Power supply cord and plug become unusually warm.**

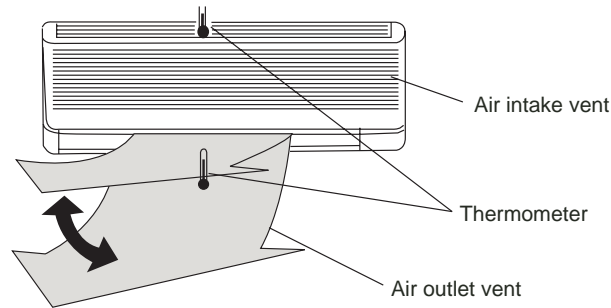




EVALUATION OF THE PERFORMANCE

- Operate the unit for 15 minutes or more;
- Measure the temperature of the intake and outlet air;
- The temperature difference is more than 8°C during Cooling operation or more than 14°C during Heating operation.

If the unit fulfils the above conditions, the unit is in normal operation.



Use this air conditioner under the following conditions:

Unit in °C

DBT: Dry Bulb Temp. WBT: Wet Bulb Temp.	Indoor		Outdoor	
	DBT	WBT	DBT	WBT
Maximum Temperature – Cooling (Maximum Temperature – Heating)	32 (30)	23 (-)	43 (24)	26 (18)
Minimum Temperature – Cooling (Minimum Temperature – Heating)	16 (2)	11 (-)	16 (-5)	11 (-6)

⚠ WARNING

- 1) This appliance must be earthed.
- 2) If the supply cord is damaged or need to be replaced, it must be replaced by the manufacturer or its service agent or a similarly qualified person in order to avoid a hazard.
- 3) Remove power plug or disconnect from the mains before servicing this appliance.
- 4) Do not repair by yourself .
In case of malfunction of this appliance, do not repair by yourself.
Contact to the sales dealer or service dealer for a repair.
- 5) Do not use in an explosive atmosphere.
Do not use this appliance in a potentially explosive atmosphere.
- 6) Disconnect the power plug (isolation from main power supply).
Disconnect the power plug from the receptacle, or switch off the breaker, or switch off the power, disconnecting mains plug to isolate the equipment from the main power supply in case of an emergency.

⚠ CAUTION

DISCONNECT THE MAINS PLUG FROM THE SUPPLY SOCKET WHEN NOT IN USE , WHERE SUPPLY CONNECTION IS VIA MAINS PLUG.

Airborne noise :

A-weighted sound pressure level of this appliance is less than 70dB(A) under the JIS C 9612 test conditions.

Maximum cooling operation
1 m from the unit

IMPORTANT

The wires in this mains lead are coloured in accordance with the following code :

- Green and Yellow : Earth
- Blue : Neutral
- Brown : Live

“As the colours of the wires in the mains lead of this appliance may not correspond with the coloured markings identifying the terminals in your plug, proceed as follows:

The wire which is coloured green and yellow must be connected to the terminal in the plug which is marked by the letter **E** or by safety earth symbol or coloured green or green and yellow.

The wire which is coloured blue must be connected to the terminal which is marked with letter **N** or coloured black.

The wire which is coloured brown must be connected to the terminal which is marked with letter **L** or coloured red.”



Note

Please remember to record the following:

- Model Number _____
- Serial Number _____
- Dealer's Name _____
- Date Purchased _____

Remarque

N'oubliez pas de noter les informations suivantes:

- Numéro de modèles _____
- Numéro de série _____
- Nom du revendeur _____
- Date d'achat _____

Σημείωση

Παρακαλείσθε να καταγράψετε τα εξής:

- Αριθμός Μοντέλου _____
- Αύξων Αριθμός _____
- Ονομα Αντιπροσώπου _____
- Ημερομηνία Αγοράς _____

Nota

Não esqueça registrar os dados seguintes:

- Número de modelo _____
- Número de série _____
- Número de representante _____
- Data de compra _____

Opmerking

vergeet niet volgende zaken te noteren:

- Modelnummer _____
- Serienummer _____
- Dealernummer _____
- Aankoopdatum _____

Nota

No se olvide de registrar los datos siguientes:

- Número de modefo _____
- De sérís _____
- Del representante _____
- Fecha de compra _____

Anmerkung

Bitte notieren Sie die folgenden Daten:

- Modell-Nr _____
- Serien-Nr _____
- Händler-Nr _____
- Kaufdatum _____

Nota

Ricordare di trascrivere i seguenti dati

- Codice modello _____
- Numero di serie _____
- Codice rivenditore _____
- Data di acquisto _____

Примечание:

Не забудьте, пожалуйста, записать следующую информацию:

- Номер модели _____
- Номер серии _____
- Имя дилера _____
- Дата приобретения _____

F563553

Matsushita Electric Industrial Co.,Ltd
Web Site:<http://www.panasonic.co.jp/global/>

Printed in China
P0206-1