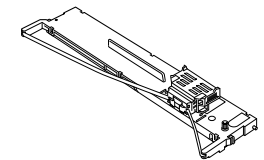
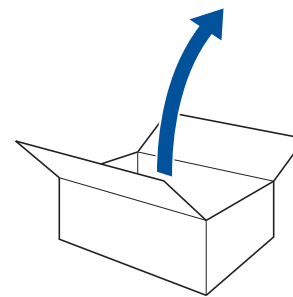
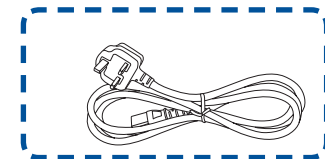
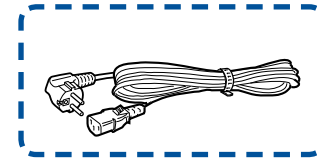
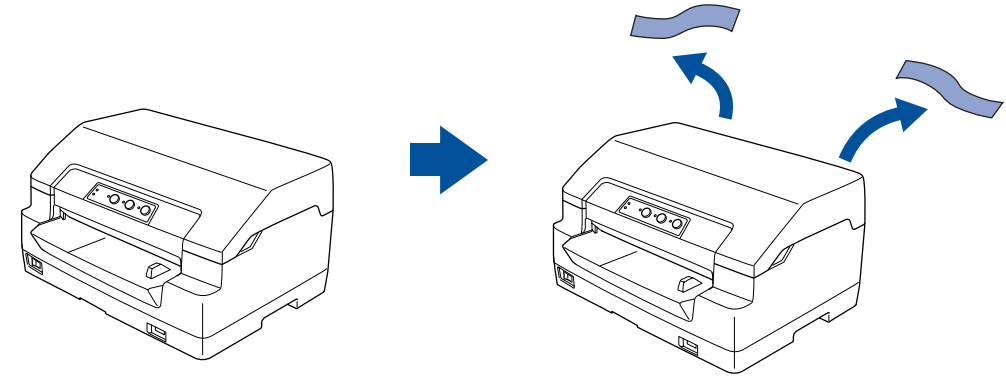


EN
DE
FR
IT
ES
CA
PT
NL
DA
FI
NO
SV
CS
HU
PL
SK
BG
RO
EE
LV
LT
EL
TR
SL
HR
MK
SR
RU
AR
FA

Setup Guide
Installationshandbuch
Guide d'installation
Guida di installazione
Guía de instalación
Manual d'instal·lació
Manual de instalaçãõ
Installatiehandleiding
Installationsvejledning
Asennusopas
Installeringshåndbok
Installationshandbok
Instalační příručka
Ûzembe helyezési útmutato
Podręcznik konfiguracji i instalacji
Inštalačná príručka
Ръководство за инсталация
Ghid de instalare
Seadistusjuhend
Uzstādīšanas instrukcija
Parengties vadovas
Οδηγός εγκατάστασης
Kurulum kılavuzu
Priročnik za namestitev
Vodič za postavu
Упатство за поставување
Упутство за postavljanje
Руководство по установке

دليل الإعداد
راهنمای تنظیم



DE: Maschinenlärminformations-Verordnung 3. GPSGV: Der höchste Schalldruckpegel beträgt 70 dB(A) oder weniger gemäß EN ISO 7779.

Das Gerät ist nicht für die Benutzung im unmittelbaren Gesichtsfeld am Bildschirmarbeitsplatz vorgesehen. Um störende Reflexionen am Bildschirmarbeitsplatz zu vermeiden, darf dieses Produkt nicht im unmittelbaren Gesichtsfeld platziert werden.

Importeur
EPSON EUROPE. B.V.
Entrada 701, 1096 EJ AMSTERDAM,
THE NETHERLANDS

Printed in XXXX



411831300

EN For detailed information and safety recommendations, refer to the User's Guide.

DE Ausführliche Informationen und Sicherheitsempfehlungen finden Sie im Benutzerhandbuch.

FR Pour plus d'informations et des recommandations concernant la sécurité, reportez-vous au Guide de l'utilisateur.

IT Per informazioni dettagliate e suggerimenti sulla sicurezza consultare la Guida per l'utente.

ES Para obtener información detallada y recomendaciones sobre seguridad consulte la Guía de usuario.

CA Per obtenir informació detallada consulti el Manual d'usuari.

PT Para mais informações e recomendações sobre segurança, consulte o Manual do Utilizador.

NL Raadpleeg de gebruikershandleiding voor meer informatie en veiligheidsvoorschriften.

DA Der findes yderligere oplysninger og anbefalinger om sikkerhed i brugervejledningen.

FI Lisätietoja ja turvaohjeita on Käyttöoppaassa.

NO Hvis du vil ha mer detaljert informasjon og sikkerhetsanbefalinger, kan du se i brukerhåndboken.

SV Detaljerad information och säkerhetsföreskrifter finns i Användarhandboken.

CS Podrobné informace a bezpečnostní doporučení najdete v Uživatelské příručce.

HU Részletes információk és a biztonsággal kapcsolatos tudnivalók a használati útmutatóban találhatók.

PL Szczegółowe informacje oraz zalecenia dotyczące bezpieczeństwa zawiera Podręcznik użytkownika

SK Podrobné informácie a bezpečnostné odporúčanie nájdete v Uživatelskej príručke.

BG Подробна информация и препоръки за безопасност ще намерите в Ръководството за потребителя.

RO Pentru informații detaliate și recomandări cu privire la siguranță, consultați User's Guide.

EE Lähemat teavet ja ohutusaseid soovitusi vt kasutusjuhendist User's Guide.

LV Sīkāku informāciju un ieteikumus par drošību skat. Lietotāja rokasgrāmatā.

LT Detalesnės informacijos ir saugos patarimų ieškokite vartotojo vadove.

EL Για περισσότερες πληροφορίες και συστάσεις για την ασφάλεια, ανατρέξτε στον Οδηγό χρήσης.

TR Ayrıntili bilgi ve güvenlik önerileri için lütfen Kullanım Kılavuzu'na bakın.

SL Podrobnejše informacije in varnostna priporočila najdete v uporabniškem priročniku.

HR Detaljne informacije i preporuke o sigurnosti pogledajte u Korisničkom priručniku.

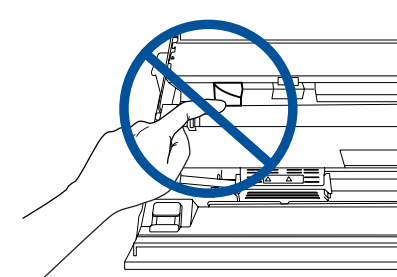
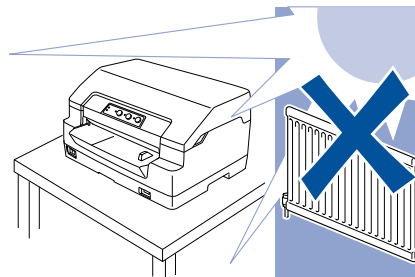
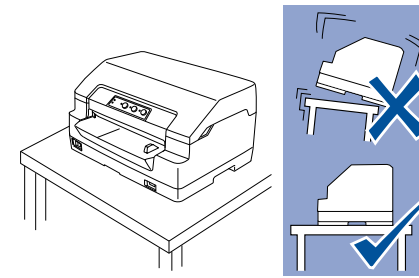
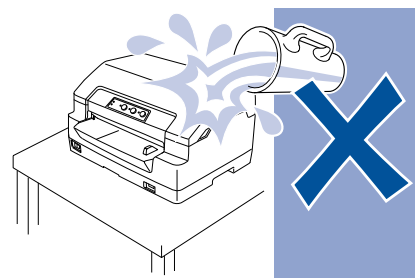
MK За подетални информации и препораки за безбедноста видете во „Корисничкиот прирачник“.

SR Za detaljne informacije i mere bezbednosti pogledajte Korisničko uputstvo.

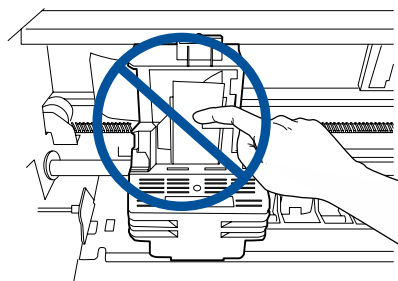
RU Для получения подробных сведений и рекомендаций по безопасности см. Руководство пользователя.

للحصول على معلومات مفصلة وتوصيات الأمان، ارجع إلى User's Guide

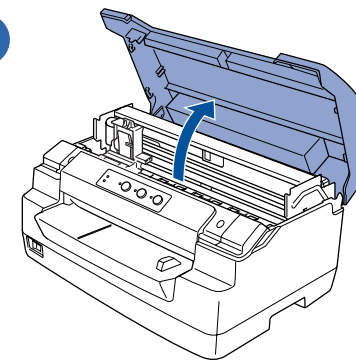
برای اطلاعات مشروح به راهنمای مراجعه رجوع شود.



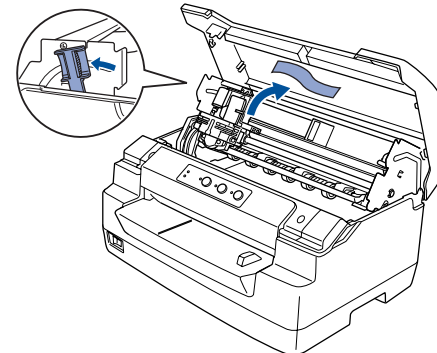
1



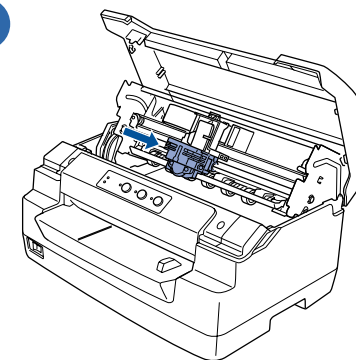
1



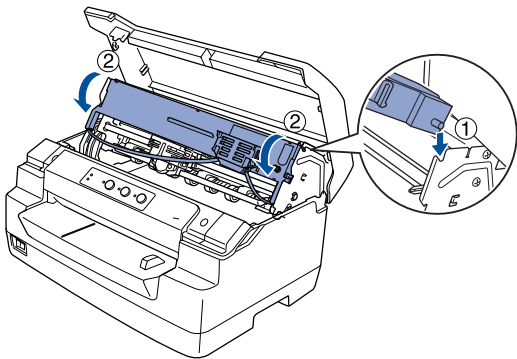
2



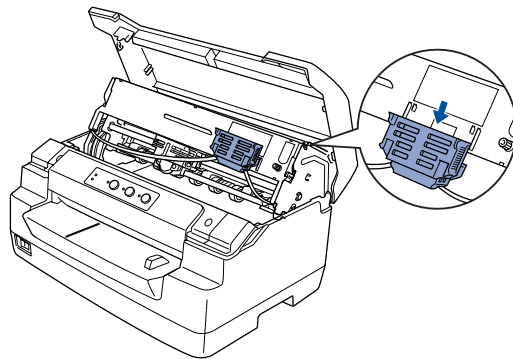
3



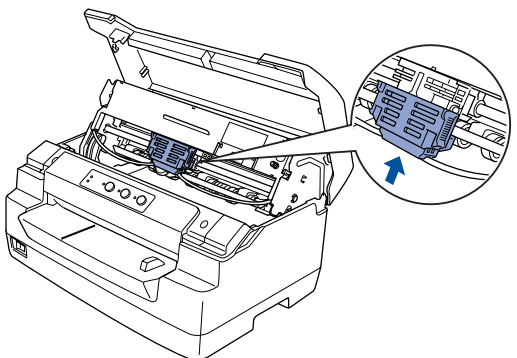
4



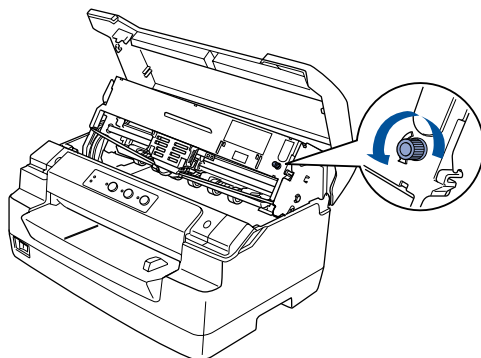
5



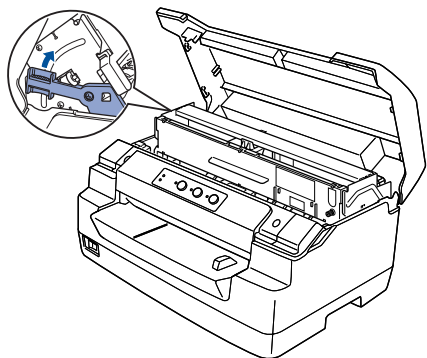
6



7

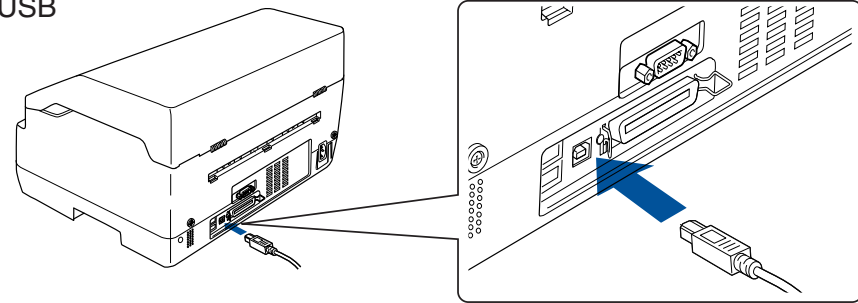


8



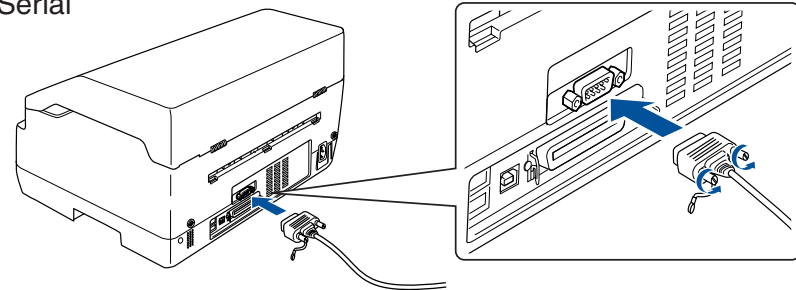
2

USB

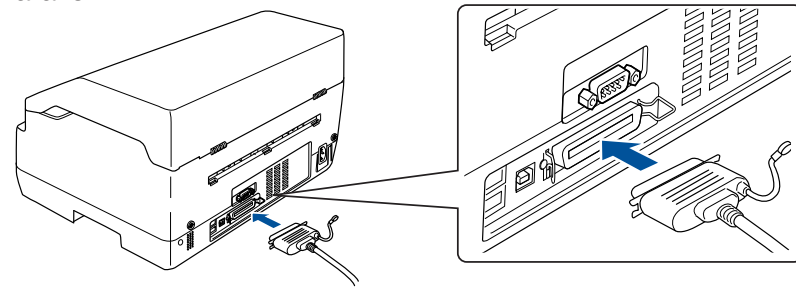


A USB connection is necessary when scanning.

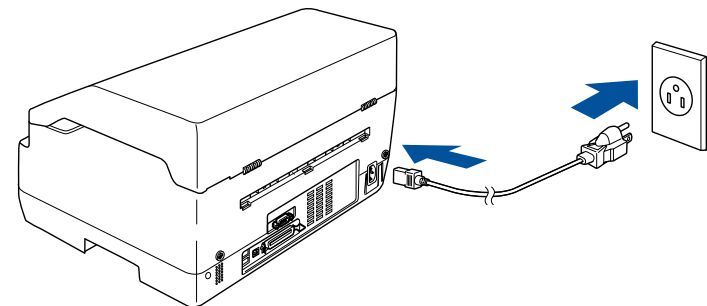
Serial



Parallel



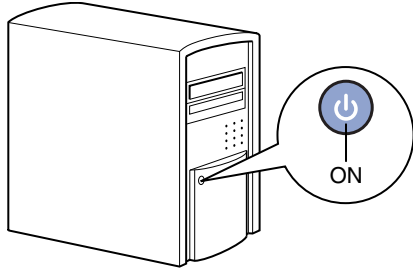
3



4

Windows

1

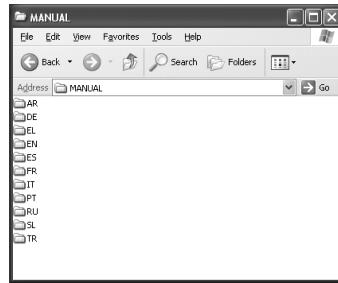
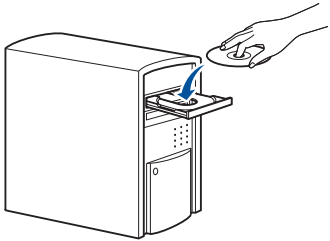


2

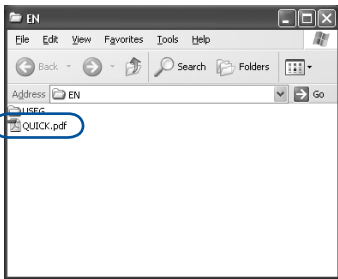
<http://www.epson.com>

Download the printer driver and scanner driver, and install them.

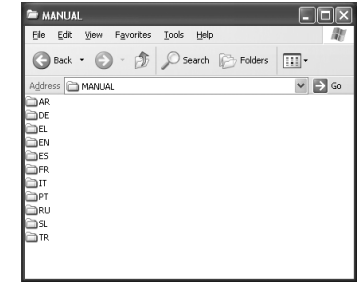
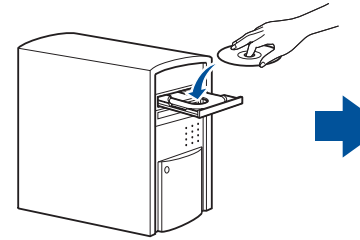
Make sure to read the Quick Reference first before using the printer.



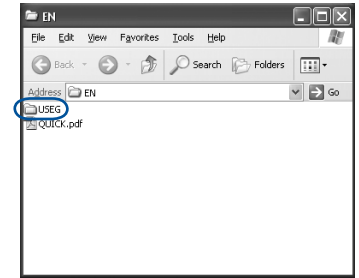
Select language.



Keep a printout of this manual handy or keep a copy of it on your PC desktop so you can quickly look up information on cleaning and paper whenever necessary.



Select language.



Copy by drag & drop or Open by double-click.



<http://www.epson.com>



No part of this publication may be reproduced, stored in a retrieval system, or transmitted in any form or by any means, electronic, mechanical, photocopying, recording, or otherwise, without the prior written permission of Seiko Epson Corporation. No patent liability is assumed with respect to use of the information contained herein. Neither is any liability assumed for damages resulting from the use of the information contained herein. Neither Seiko Epson Corporation nor its affiliates shall be liable to the purchaser of this product or third parties for damages, losses, costs, or expenses incurred by the purchaser or third parties as a result of: accident, misuse, or abuse of this product or unauthorized modifications, repairs, or alterations to this product, or (excluding the U.S.) failure to strictly comply with Seiko Epson Corporation's operating and maintenance instructions. Seiko Epson Corporation and its affiliates shall not be liable against any damages or problems arising from the use of any options or any consumable products other than those designated as Original Epson Products or Epson Approved Products by Seiko Epson Corporation. EPSON is a registered trademark of Seiko Epson Corporation in Japan and other countries/regions.

General Notice: Other product names used herein are for identification purposes only and may be trademarks of their respective owners. Epson disclaims any and all rights in those marks. The contents of this manual are subject to change without notice.

Copyright © 2010 Seiko Epson Corporation. All rights reserved.