

# Digital Audio Receiver

## Operating Instructions

Before operating the unit, install the unit correctly by referring to the Installation Guide.  
You need to subscribe for XM™ Satellite Radio Service to listen to the radio broadcast.

## OWNER'S RECORD

The model number is located on the bottom and serial number also on the bottom. Record the serial number in the space provide below. Refer to these numbers whenever you call upon your Sony dealer regarding this product.

Model No. \_\_\_\_\_

Serial No. \_\_\_\_\_

Radio ID \_\_\_\_\_

**DRN-XM01C**  
**DRN-XM01R**  
**DRN-XM01H**



Printed on 100% recycled paper using VOC (Volatile Organic Compound)-free vegetable oil based ink.

Sony Corporation ©2001 Printed in Japan

<http://www.world.sony.com/>

## WARNING

**To prevent fire or shock hazard, do not expose the unit to rain or moisture.**

**To avoid electrical shock, do not open the cabinet. Refer servicing to qualified personnel only.**

You are cautioned that any changes or modifications not expressly approved in this manual could void your authority to operate this equipment.

## INFORMATION

This equipment has been tested and found to comply with the limits for a Class B digital device, pursuant to Part 15 of the FCC Rules. These limits are designed to provide reasonable protection against harmful interference in a residential installation. This equipment generates, uses, and can radiate radio frequency energy and, if not installed and used in accordance with the instructions, may cause harmful interference to radio communications. However, there is no guarantee that interference will not occur in a particular installation. If this equipment does cause harmful interference to radio or television reception, which can be determined by turning the equipment off and on, the user is encouraged to try to correct the interference by one or more of the following measures:

- Reorient or relocate the receiving antenna.
- Increase the separation between the equipment and receiver.
- Connect the equipment into an outlet on a circuit different from that to which the receiver is connected.
- Consult the dealer or an experienced radio/TV technician for help.

This device complies with Part 15 of the FCC Rules. Operation is subject to the following two conditions: (1) This device may not cause harmful interference, and (2) this device must accept any interference received, including interference that may cause undesired operation.

## Caution

- Do not operate the unit in a way that might divert your attention from driving safely. As a driver, you alone are responsible for safely operating your vehicle in accordance with traffic safety laws at all times.
- Do not install the unit where it may obstruct your view through the windshield or your view of your vehicle's indicator displays.
- Do not install the unit where it may hinder the function of safety devices such as an air-bag. Doing so may prevent the air-bag from functioning properly in the event of an accident.
- The installation and use suggestions contained in this manual are subject to any restrictions or limitations that may be imposed by applicable law— purchaser should check applicable law for any restrictions or limitations before installing and/or operating this product.
- Failure to follow these safety instructions and warnings may result in a serious accident.

## Before You Begin

Thank you for choosing the Sony digital audio receiver!  
It will give you many hours of reliable service and listening pleasure. Before operating the receiver, please read these instructions thoroughly and retain them for future reference.

If you have any questions about the product, you may call:  
Sony Direct Response Center 1-(800)-222-7669 or write to:  
Sony Direct Response Center 12451 Gateway Blvd. Fort Myers, FL 33913

Declaration of Conformity	
Trade Name:	SONY
Model:	DRN-XM01
Responsible Party:	Sony Electronics Inc.
Address:	680 Kinderkamack Road, Oradell, NJ 07649 USA
Telephone Number:	201-930-6972
<p>This device complies with Part 15 of the FCC Rules. Operation is subject to the following two conditions: (1) This device may not cause harmful interference, and (2) this device must accept any interference received, including interference that may cause undesired operation.</p>	

If you have any questions or problem concerning this product, consult your nearest Sony dealer: 1-(866)-473-7669.  
If you have any questions or problem concerning the XM Satellite radio service including the broadcast, consult XM.  
The Radio ID is required when consulting XM. It is located on the bottom of the main unit, and you can also check it in the display of this unit (see "Displaying the Radio ID").

## Introducing XM™ Satellite Radio

There's a world beyond AM and FM. XM Satellite Radio. Up to 100 channels. Coast-to-Coast Coverage. Digital quality sound. With many commercial-free music channels. Plus, the best sports, comedy, talk, news and entertainment, including USA Today, Discovery Radio, NASCAR, Sesame Workshop, CNNfn and CNN/SI. Questions? Visit [www.xmradio.com](http://www.xmradio.com). The future is waiting.

## How to Subscribe

Listeners can subscribe by visiting XM on the Web at [www.xmradio.com](http://www.xmradio.com) or by calling XM's Listener Care at (800)852-9696. Customers should have their Radio ID ready; it is located on the bottom of the main unit, and you can also check it in the display of this unit (see "Displaying the Radio ID").

**Technology.** It is prohibited to copy, decompile, disassemble, reverse engineer or manipulate any technology incorporated in receivers compatible with the XM Satellite Radio system. Furthermore, the AMBE® voice compression software included in this product is protected by intellectual property rights including patent rights, copyrights, and trade secrets of Digital Voice Systems, Inc. The user of this or any other software contained in an XM Radio is explicitly prohibited from attempting to copy, decompile, reverse engineer, or disassemble the object code, or in any other way convert the object code into human-readable form. The software is licensed solely for use within this product.

## Features

- This unit is exclusively for the XM Satellite radio.
- Display function for a variety of text information about the tuned-in channel.
- Memo function enables the unit to store the text information for up to 10 memories.
- Preset function for up to 5 channels.
- Transportable type receiver, which can be attached and removed from the cradle easily.
- Jog roller and remote commander for easy operation.
- Category Scroll function using a specified category for easy channel selection.
- Auto Power Down function enables the unit to automatically turn power off.

## Precautions

For customers who use this unit in a car

- When you turn off the ignition switch of your car, be sure to turn off the power of the unit by pressing the POWER button on the main unit or remote commander. Otherwise the unit may drain car battery.
- When you get out of your car, remove the main unit from the cradle and take it with you to prevent it from being stolen.

## Troubleshooting

Should any problem persist after you have made the following checks, consult your nearest Sony dealer. Consult XM if you have any questions or problem concerning the broadcast service of the XM Satellite radio.

The unit cannot receive channels at all.

- When "CHECK ANTENNA" appears in the display  
The supplied antenna is not connected to this unit. Check the connection of the antenna cord, then turn the power on again.
- When "NO SIGNAL" appears in the display  
The receiving condition is not good. Move to the place where the condition is good.

The unit cannot receive a particular channel.

- You need to subscribe for XM.
- When "UPDATING" appears in the display  
You have not subscribed for XM or the channel is not authorized. You need to subscribe for XM.
- When "OFF AIR" appears in the display  
The channel is not broadcasted now.
- When "XM CH--" appears in the display  
The channel to be tuned-in is void due to the change by the broadcast service, or the receiving condition is not good.

You cannot select a desired channel.

- In Category Scroll mode, you can select only the channels that correspond to the Channel Category you selected in the menu. Select a different Channel Category or change to the Channel Scroll mode. See "Using the Category Scrolls".

"SYSTEM ERROR" appears in the display and you cannot operate the unit.

- A system error occurs. Consult the Sony Direct Response Center.

"-----" is displayed for the text information about Artist Name/Feature, Song/Program Title, Additional Information, or time information.

- There is no text information or time information in the channel. This is not an error.
- The text information may not be displayed depending on the unit condition, for example, right after the unit has received a channel.

When selecting a channel, or if "LOADING" appears in the display while selecting a channel, JOG roller, ↑/↓ and preset buttons may not work.

- You cannot select a channel until the unit finishes receiving the entire audio data or text information.

The unit automatically turns power off.

- The Auto Power Down is functioning. This turns off the unit automatically when no operation is performed for the specified time. To change the setting, see "Using Other Functions".

Sound distortion occurs.

- When using the unit with the cassette adaptor, sound distortion may occur. Adjust the Line Out Level. See "Using Other Functions".

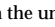
The sound is low.

- Adjust the Line Out Level to the maximum level. See "Using Other Functions".

Display is dim, or no indication is displayed.

- The unit is being used in extremely high or low temperatures or in a place with excessive moisture.

The remote commander does not function.

- Remove any obstacles between the remote commander and the unit.
- Use the remote commander near the unit.
- Point the remote commander at the remote sensor  on the unit.
- Replace battery in the remote commander with new one if it is weak.

## Icon List

The following icons appear in the display.

- indicates the Channel Number
- indicates the Channel Name
- indicates the Artist Name/Feature
- indicates the Song/Program Title
- indicates the Additional Information
- indicates time and date
- indicates the Category
- indicates the Menu display

## Specifications

### Main unit

Time display

12-hour system

Auto power down function

OFF/60 min/120 min/180 min

Output

LINE OUT jack (ø 3.5 mm stereo minijack)

Power requirements

6 V DC, DC IN 6V jack

Dimensions

Incl. projecting parts and controls:

Main unit:  
Approx. 105 × 40 × 120 mm (w/h/d)  
(Approx. 4 1/4 × 1 3/8 × 4 3/4 inches)

When the main unit is installed in the car cradle with the car stand:

Approx. 105 × 68 × 128 mm (w/h/d)  
(Approx. 4 1/4 × 2 3/4 × 5 1/8 inches)

When the main unit is installed in the home cradle with the home stand:

Approx. 105 × 55 × 128 mm (w/h/d)  
(Approx. 4 1/4 × 2 1/4 × 5 1/8 inches)

Not incl. projecting parts and controls:

Main unit:  
Approx. 102 × 38 × 120 mm (w/h/d)  
(Approx. 4 1/8 × 1 1/2 × 4 3/4 inches)

When the main unit is installed in the car cradle with the car stand:

Approx. 102 × 66 × 128 mm (w/h/d)  
(Approx. 4 1/8 × 2 3/8 × 5 1/8 inches)

When the main unit is installed in the home cradle with the home stand:

Approx. 102 × 53 × 128 mm (w/h/d)  
(Approx. 4 1/8 × 2 1/8 × 5 1/8 inches)

Mass

Main unit:

Approx. 220 g (7.8 oz)

When the main unit is installed in the car cradle with the car stand:

Approx. 380 g (13.4 oz)

When the main unit is installed in the home cradle with the home stand:

Approx. 300 g (10.6 oz)

### Remote commander

Power requirements

3V DC, one CR2025 lithium battery

Dimensions

Approx. 52 × 89 × 12 mm (w/h/d)  
(Approx. 2 1/8 × 3 5/8 × 1/2 inches)  
incl. projecting parts and controls

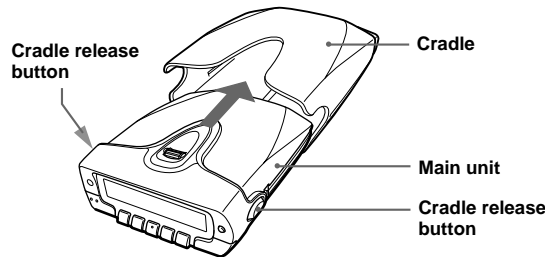
Mass

Approx. 30 g (1.1 oz) incl. lithium battery

Design and specifications are subject to change without notice.

## Installing the Main Unit in the Cradle

Insert the main unit completely into the cradle until the main unit is locked in the cradle.

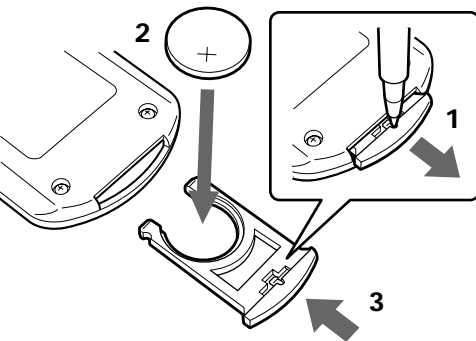


## To remove the main unit from the cradle

While pressing the two cradle release buttons on the left and right sides of the main unit, pull out the main unit from the cradle.

## Replacing the Lithium Battery into the Remote Commander

Replace the battery when the buttons on the remote commander do not work. Remove the old battery and insert a new one.



- 1** Insert a long and thin object into the hole, then pull out the lithium battery holder.
- 2** Replace the lithium battery with the positive (+) side facing up.
- 3** Insert the battery holder into the remote commander until it clicks.

## Battery life

Sony lithium battery CR2025 (Approx.)

1 year

Notes on lithium battery

- Keep the lithium battery out of reach of children. Should the battery be swallowed, immediately consult a doctor.
- Wipe the battery with a dry cloth to assure good contact.
- Be sure to install the battery in the correct polarity position.
- Do not hold the battery with metallic tweezers, as doing so may cause a short-circuit.
- Do not break up the battery or throw it into a fire, which might cause it to explode.
- Carefully dispose of the used battery.

Note

When the unit is not to be used for a long period of time, remove the battery to avoid damage from battery leakage and corrosion.

LIMITED WARRANTY  
(Portable Audio)

FOB 30\$以上