

LCD Data Projector

Operating Instructions _____ **EN**

Mode d'emploi _____ **F**

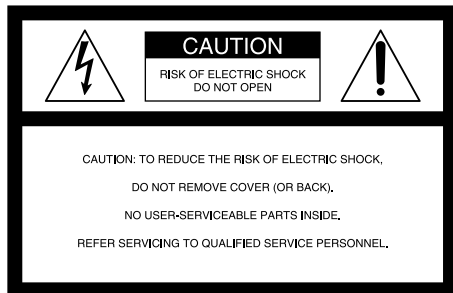
Manual de instrucciones _____ **ES**

VPL-SC50U
VPL-SC50E
VPL-SC50M

WARNING

To prevent fire or shock hazard, do not expose the unit to rain or moisture.

To avoid electrical shock, do not open the cabinet. Refer servicing to qualified personnel only.



This symbol is intended to alert the user to the presence of uninsulated “dangerous voltage” within the product’s enclosure that may be of sufficient magnitude to constitute a risk of electric shock to persons.



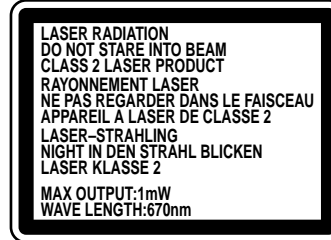
This symbol is intended to alert the user to the presence of important operating and maintenance (servicing) instructions in the literature accompanying the appliance.

For the customers in the USA

This equipment has been tested and found to comply with the limits for a Class A digital device, pursuant to Part 15 of the FCC Rules. These limits are designed to provide reasonable protection against harmful interference when the equipment is operated in a commercial environment. This equipment generates, uses, and can radiate radio frequency energy and, if not installed and used in accordance with the instruction manual, may cause harmful interference to radio communications. Operation of this equipment in a residential area is likely to cause harmful interference in which case the user will be required to correct the interference at his own expense.

You are cautioned that any changes or modifications not expressly approved in this manual could void your authority to operate this equipment.

For the customers of VPL-SC50E/SC50M



This label is located on the rear of the Remote Commander.



This label is located on the side of the Remote Commander.

For the customers of VPL-SC50U

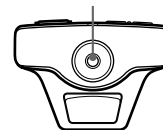


This label is located on the rear of the Remote Commander.



This label is located on the rear of the Remote Commander.

Laser light shines out of this window.



Caution

use of controls or adjustments or performance of procedures other than those specified herein may result in hazardous radiation exposure.

Notes

- Do not aim the laser at people or not look into the laser transmitter.
- When the Remote Commander causes malfunction, consult with qualified Sony personnel. We change the Remote Commander as new one according to the guarantee.

For the customers in Canada

This Class A digital apparatus complies with Canadian ICES-003.

For the customers in the United Kingdom

WARNING

THIS APPARATUS MUST BE EARTHED

IMPORTANT

The wires in this mains lead are coloured in accordance with the following code:

Green-and-Yellow: Earth
Blue: Neutral
Brown: Live

As the colours of the wires in the mains lead of this apparatus may not correspond with the coloured markings identifying the terminals in your plug proceed as follows:

The wire which is coloured green-and-yellow must be connected to the terminal in the plug which is marked by the letter E or by the safety earth symbol \perp or coloured green or green-and-yellow.

The wire which is coloured blue must be connected to the terminal which is marked with the letter N or coloured black.

The wire which is coloured brown must be connected to the terminal which is marked with the letter L or coloured red.

Voor de klanten in Nederland



Bij dit produkt zijn batterijen geleverd. Wanneer deze leeg zijn, moet u ze niet weggooien maar inleveren als KCA.

The socket-outlet should be installed near the equipment and be easily accessible.

Table of Contents

Overview

Precautions	6 (EN)
Features	8 (EN)
Location and Function of Controls	9 (EN)
Front/Left Side	9 (EN)
Rear/Right Side/Bottom	12 (EN)
Remote Commander	15 (EN)

Setting up and projecting

Installing the Projector	17 (EN)
Connecting	18 (EN)
Connecting with a Computer	18 (EN)
Connecting with a VCR/Component Equipment	20 (EN)
Projecting	21 (EN)

Adjustments and settings using the menu

Using the MENU	24 (EN)
The PICTURE CTRL Menu	25 (EN)
The INPUT SETTING Menu	27 (EN)
The SET SETTING Menu	29 (EN)

Installation

Installation Example	30 (EN)
Unsuitable Installation	31 (EN)
Notes on Installation	32 (EN)

Maintenance

Maintenance	33 (EN)
Replacing the Lamp	33 (EN)
Cleaning the Air Filter	34 (EN)
Troubleshooting	35 (EN)

Other

Specifications	37 (EN)
Index	41 (EN)

On safety

- Check that the operating voltage of your unit is identical with the voltage of your local power supply. If voltage adaptation is required, consult with qualified Sony personnel.
- Should any liquid or solid object fall into the cabinet, unplug the unit and have it checked by qualified personnel before operating it further.
- Unplug the unit from the wall outlet if it is not to be used for several days.
- To disconnect the cord, pull it out by the plug. Never pull the cord itself.
- The wall outlet should be near the unit and easily accessible.
- The unit is not disconnected to the AC power source (mains) as long as it is connected to the wall outlet, even if the unit itself has been turned off.
- Do not look into the lens while the lamp is on.
- Do not aim the laser at people or not look into the laser transmitter.
- Do not place your hand or objects near the ventilation holes — the air coming out is hot.
- Be careful not to catch your fingers by the adjuster when you lift up the projector. Do not push hard on the top of the projector with the adjuster out.

On illumination

- To obtain the best picture, the front of the screen should not be exposed to direct lighting or sunlight.
- Ceiling-mounted spot lighting is recommended. Use a cover over fluorescent lamps to avoid lowering the contrast ratio.
- Cover any windows that face the screen with opaque draperies.
- It is desirable to install the projector in a room where floor and walls are not of light-reflecting material. If the floor and walls are of reflecting material, it is recommended that the carpet and wall paper be changed to a dark color.

On preventing internal heat build-up

After you turn off the power with the I / ⏻ key on the Remote Commander or on the control panel, do not disconnect the unit from the wall outlet while the cooling fan is still running.

Caution

The projector is equipped with ventilation holes (intake) on the right side and ventilation holes (exhaust) on both sides and rear. Do not block or place anything near these holes, or internal heat build-up may occur, causing picture degradation or damage to the projector.

On cleaning

- To keep the cabinet looking new, periodically clean it with a soft cloth. Stubborn stains may be removed with a cloth lightly dampened with a mild detergent solution. Never use strong solvents, such as thinner, benzene, or abrasive cleansers, since these will damage the cabinet.
- Avoid touching the lens. To remove dust on the lens, use a soft dry cloth. Do not use a damp cloth, detergent solution, or thinner.
- Clean the filter at regular intervals.

On repacking

- Save the original shipping carton and packing material; they will come in handy if you ever have to ship your unit. For maximum protection, repack your unit as it was originally packed at the factory.

High portability

- **Light weight/small size**

This projector has come to miniaturized to 3.7 kg (8 lb 3 oz) of mass by adopting magnesium die-casting body. And a carrying handle is equipped with the projector. You can easily carry it with your computer.

High brightness, high picture quality

- **High brightness**

Adopting the new developed optical system and the 120 W UHP lamp allow high brightness (light output 500 ANSI lumen) and excellent uniformity on the picture.

- **High resolution**

By adopting three 0.9-inch, 480,000-pixel SVGA panels, this projector offers resolution of 800 × 600 dots for RGB input and 600 horizontal TV lines for video input.

Simple setup, easy presentation

- **Simple setup with external equipment**

This projector has 22 kinds of preset data for input signals. You can get a suitable picture by connecting an equipment with supplied cable.

- **Remote Commander with mouse control and laser pointer functions**

You can operate a computer with the Remote Commander since the unit has a build-in mouse receiver. For your presentation, you can use the laser pointer built in the Remote Commander as well.

Accepts various input signals

- **Compatible input signals**

This projector accepts video signals of the composite, S video, and component as well as the VGA¹⁾, SVGA¹⁾ and XGA¹⁾²⁾ signals, which all can be displayed.

- **Compatible with five color systems**

NTSC, PAL, SECAM, NTSC 4.43³⁾, or PAL-M color system can be selected automatically or manually.

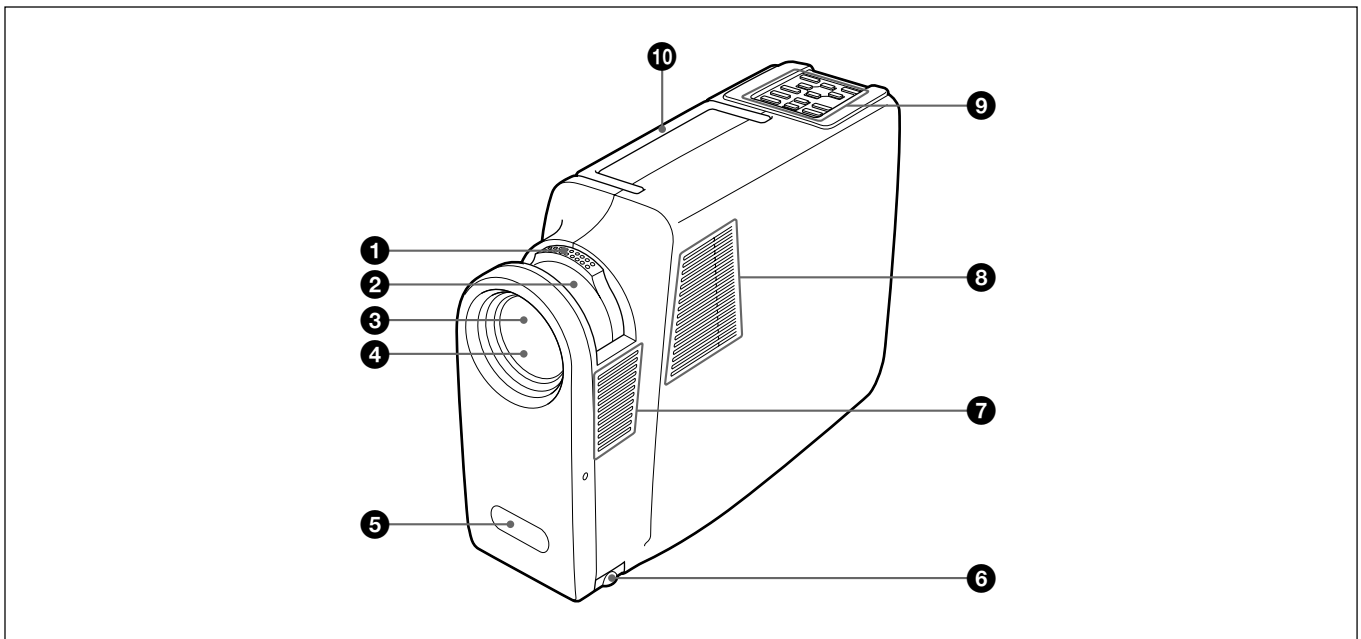
1) VGA, SVGA and XGA are registered trademarks of the International Business Machines Corporation, U.S.A.

2) Compressed XGA signal is reproduced.

3) NTSC4.43 is the color system used when playing back a video recorded on NTSC on a NTSC4.43 system VCR.

Location and Function of Controls

Front/Left Side



1 Zoom ring

Adjusts the size of the picture.

2 Focus ring

Adjusts the picture focus.

3 Lens

Open the lens shutter before projection.

4 Lens shutter

5 Front remote control detector

6 Adjuster

Used to keep the projector level if it is installed on an uneven surface.

For details on how to use the adjusters, see “How to use the adjuster” on page 13 (EN).

7 Ventilation holes (exhaust)

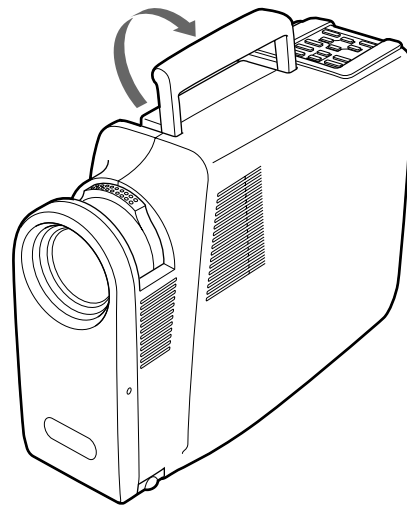
8 Left speaker

9 Control panel

For details, see “Control panel” on page 10 (EN).

10 Carrying handle

Pull up the handle from the projector for carrying.

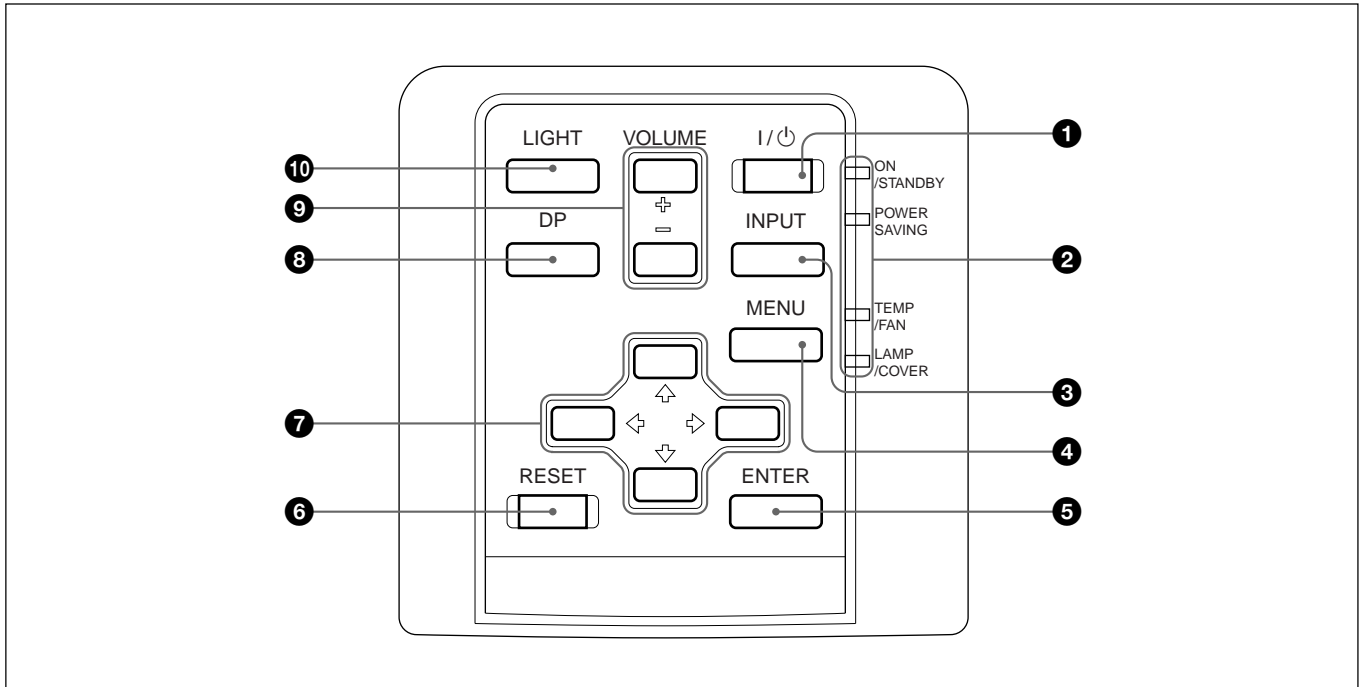


Notes

- Do not place anything near the ventilation holes as it may cause internal heat build-up.
- Do not place your hand or objects near the ventilation holes — the air coming out is hot.

Location and Function of Controls

Control panel



1 I / ⏻ (on / standby) key

Turns on and off the projector when the projector is in the standby mode. The ON/STANDBY indicator lights in green when the power is turned on.

When turning off the power, press the I / ⏻ key twice following the message on the screen, or press and hold the key for about one second.

For details on steps for turning off the power, see “To turn off the power” on page 23 (EN).

2 Indicators

ON/STANDBY: Lights up or flashes under the following conditions:

- Lights in red when the AC power cord is plugged into the wall outlet. Once in the standby mode, you can turn on the projector with the I / ⏻ key on the Remote Commander or on the control panel.
- Lights in green when the power is turned on.
- Flashes in green while the cooling fan runs after turning off the power with the I / ⏻ key. The fan runs for about 90 seconds after turning off the power.

The ON/STANDBY indicator flashes quickly for the first 30 seconds.

During this time, you cannot turn the power back on with the I / ⏻ key.

POWER SAVING: Lights up when the projector is in the power saving mode. When POWER SAVING in the SET SETTING menu is set to ON, the projector goes into the power saving mode if no signal is input for 10 minutes. Although the lamp goes out, the cooling fan keeps running. In the power saving mode, any key does not function for the first 30 seconds. The power saving mode is canceled when a signal is input or any key is pressed.

TEMP (Temperature)/FAN: Lights up or flashes under the following conditions:

- Lights up when temperature inside the projector becomes unusually high.
- Flashes when the fan is broken.

LAMP/COVER: Lights up or flashes under the following conditions:

- Lights up when the lamp has reached the end of its life or becomes a high temperature.
- Flashes when the lamp cover or air filter cover is not secured firmly.

For details on the LAMP/COVER and the TEMP/FAN indicators, see page 36 (EN).

3 INPUT key

Selects the input signal. Each time you press the key, the input signal switches between video/audio input and INPUT-A connector.

4 MENU key

Displays the on-screen menu. Press again to clear the menu.

5 ENTER key

Enters the settings of items in the menu system.

6 RESET key

Resets the value of an item back to its factory preset value. This key functions when the menu or a setting item is displayed on the screen.

7 Arrow keys (▲/▼/◀/▶)

Used to select the menu or to make various adjustments.

8 DP (Dot Phase) key

Adjusts the dot phase when a signal from the computer is input.

9 VOLUME +/- keys

Adjust the volume of the built-in speakers and output level of the AUDIO OUT jack.

+ : Increases the volume.

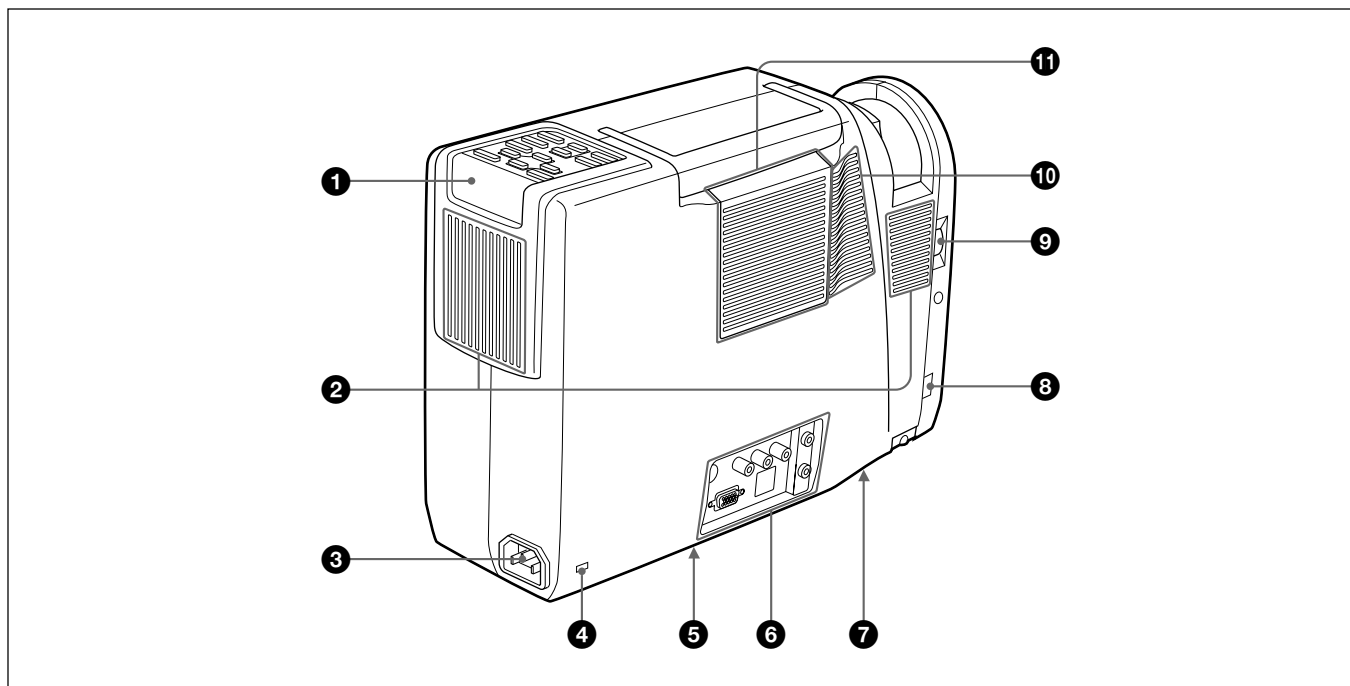
- : Decreases the volume.

10 LIGHT key

Lights the back lighting (orange) for the keys on the control panel when the power is turned on. Press again to turn off the back lighting.

Location and Function of Controls

Rear/Right Side/Bottom



1 Rear remote control detector

2 Ventilation holes (exhaust)

3 AC IN socket

Connects the supplied AC power cord.

4 Security lock

Connects to an optional security cable (Kensington's).

The security lock corresponds to Kensington's MicroSaver Security System.

If you have any comment, contact

Kensington

2853 Campus Drive, San Mates, CA 94403

U.S.A.

Tel: 800-535-4242: extension 3348

Home page address: <http://www.kensington.com/>

5 75Ω termination switch (bottom)

Normally set to ON. Set it to OFF when the projector is connected to a computer or a monitor.

6 Connector panel

For details, see page 14 (EN).

7 Lamp cover (bottom)

8 Adjuster button

9 Lens shutter dial

Turn the dial upward to open the lens shutter.

10 Right speaker

11 Ventilation holes (intake)/air filter cover

Notes

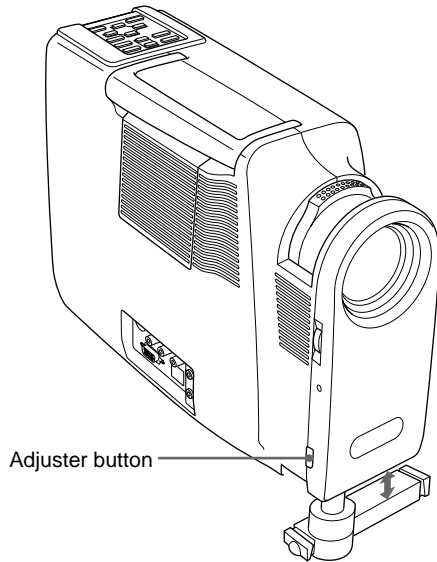
- Do not place anything near the ventilation holes as it may cause internal heat build-up.
- Do not place your hand or objects near the ventilation holes — the air coming out is hot.

How to use the adjuster

To adjust height

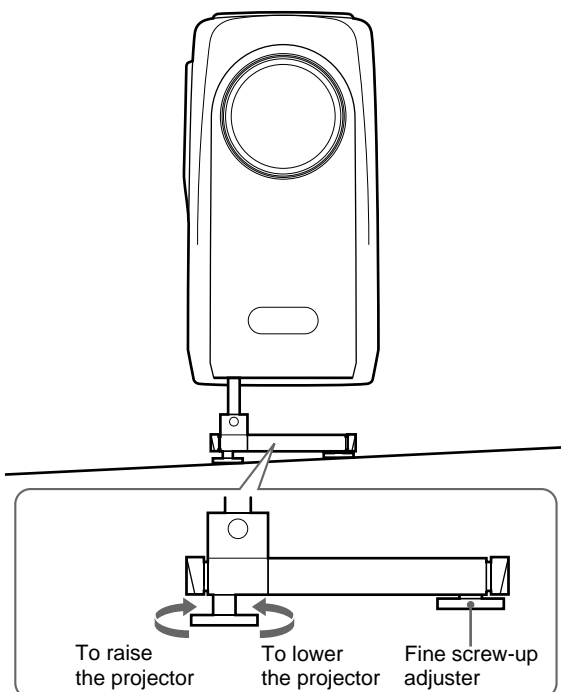
While lifting the projector, adjust the height so that the projector becomes level.

Press the adjuster button while lifting the projector to adjust the height.



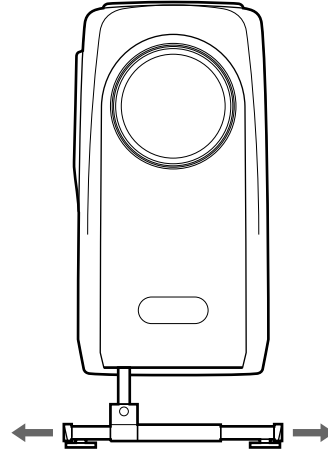
The two fine screw-up adjusters are equipped with the projector.

As for the fine screw-up adjusters, turn them for fine adjustment.



To stand the projector firmly

The adjuster can be stretched outwards to stand the projector firmly.

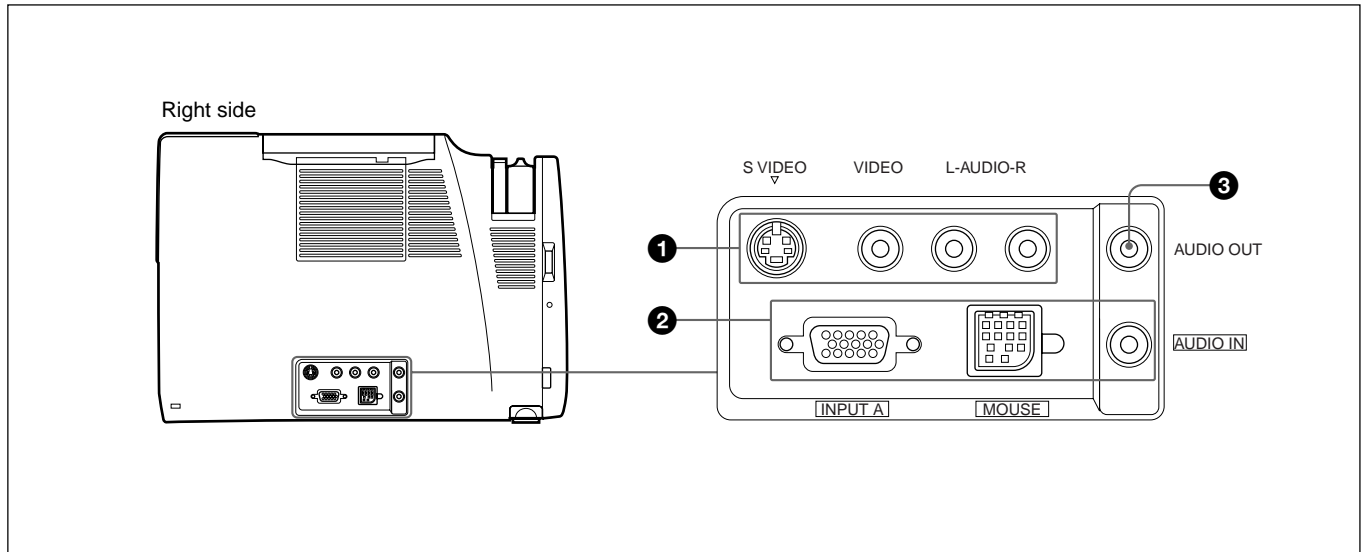


Notes

- Be careful not to let the projector down on your fingers.
- Do not push hard on the top of the projector with the adjusters out.
- If the adjuster is not stretched out toward right and left sides of the projector, the unit may be overbalanced.

Location and Function of Controls

Connector panel



❶ Video/audio input connector

Connect to external video equipment such as a VCR.

S VIDEO (mini DIN 4-pin): Connects to the S video output (Y/C video output) of a video equipment.

VIDEO (phono type): Connects to the composite video output of video equipment.

Note

If you connect video equipment to both the S VIDEO and VIDEO jacks, the signal from the S VIDEO jack is selected. When projecting the picture via the VIDEO jack, be sure not to connect a cable to the S VIDEO jack.

AUDIO input L (MONO)/R jacks (phono type):

Connect to the audio output of equipment. For stereo equipment, use both the L and R jacks; for monaural equipment, use the L (MONO) jack only.

❷ INPUT-A connector

Connect to external equipment such as a computer. You can control the mouse signal with the Remote Commander.

INPUT A (HD D-sub 15-pin, female): Connects to the monitor output on a computer using the supplied cable. When inputting a component signal, use the optional cable.

MOUSE (13-pin): Connects to the mouse port on a computer to control the mouse function using the supplied mouse cable.

AUDIO IN (stereo minijack): Connects to the audio output on a computer to input the audio signal.

❸ AUDIO OUT jack (stereo minijack)

Connects to external active speakers.

The volume of the speakers can be controlled by the VOLUME keys on the Remote Commander or the control panel.

Remote Commander

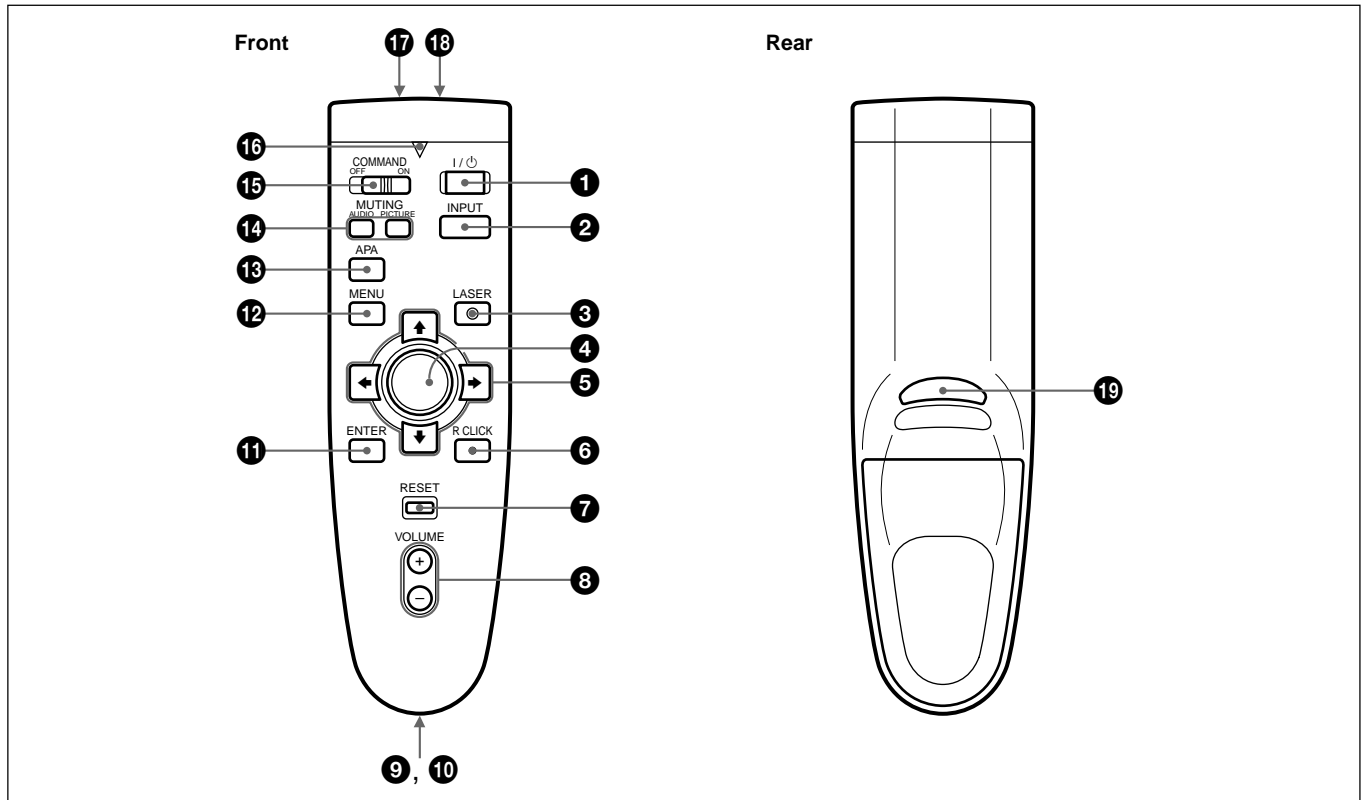
The keys which have the same names as on the control panel function identically.

You can control a connected computer using the Remote Commander.

For details, see "Connecting with a Computer" on page 18 (EN).

Notes on laser beam

- Do not look into the laser transmitter.
- Do not aim the laser at people.



❶ I / ⏻ key

❷ INPUT key

❸ LASER key

Emits laser beam from the laser transmitter when you press this key.

❹ Joy stick

Functions as a mouse of a computer connected to the unit.

❺ Arrow keys (↑/↓/←/→)

❻ R CLICK key

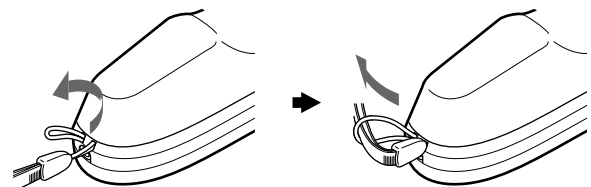
Functions as a right button on a mouse. When connected to a Macintosh¹⁾ computer, the R CLICK key functions as a mouse button.

❼ RESET key

❽ VOLUME +/- keys

❾ Strap holder

Attaches the supplied strap.



(Continued)

1) Macintosh is a registered trademark of Apple Computer, Inc.

Location and Function of Controls

10 CONTROL S OUT jack (stereo minijack)

This jack does not operated with this unit.

Note

The Remote Commander does not function if the cable is connected to this jack.

11 ENTER key

12 MENU key

13 APA (Auto Pixel Alignment) key

This key does not operated with this unit.

14 MUTING keys

Cut off the picture and sound.

PICTURE: Cuts off the picture. Press again to restore the picture.

AUDIO: Cuts off the sound from speakers and AUDIO OUT jack. Press again or press the VOLUME + key to restore the sound.

15 COMMAND ON/OFF switch

When this switch is set to OFF, no key on the Remote Commander function. This saves the battery power.

16 Transmission indicator

Lights up when you press a key on the Remote Commander.

This indicator does not light up when you use the laser pointer.

17 Infrared transmitter

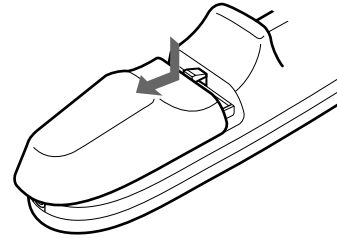
18 Laser transmitter

19 L CLICK key

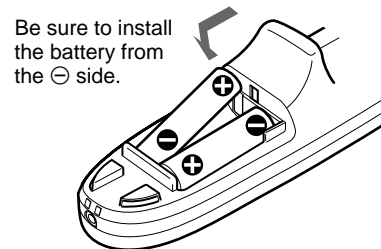
Functions as a left button on a mouse. When connected to a Macintosh computer, the L CLICK key functions as a mouse button.

Battery installation

1 Push and slide to open the lid.



2 Install the two size AA (R6) batteries (supplied) with the correct polarity.



3 Replace the lid.

Notes on batteries

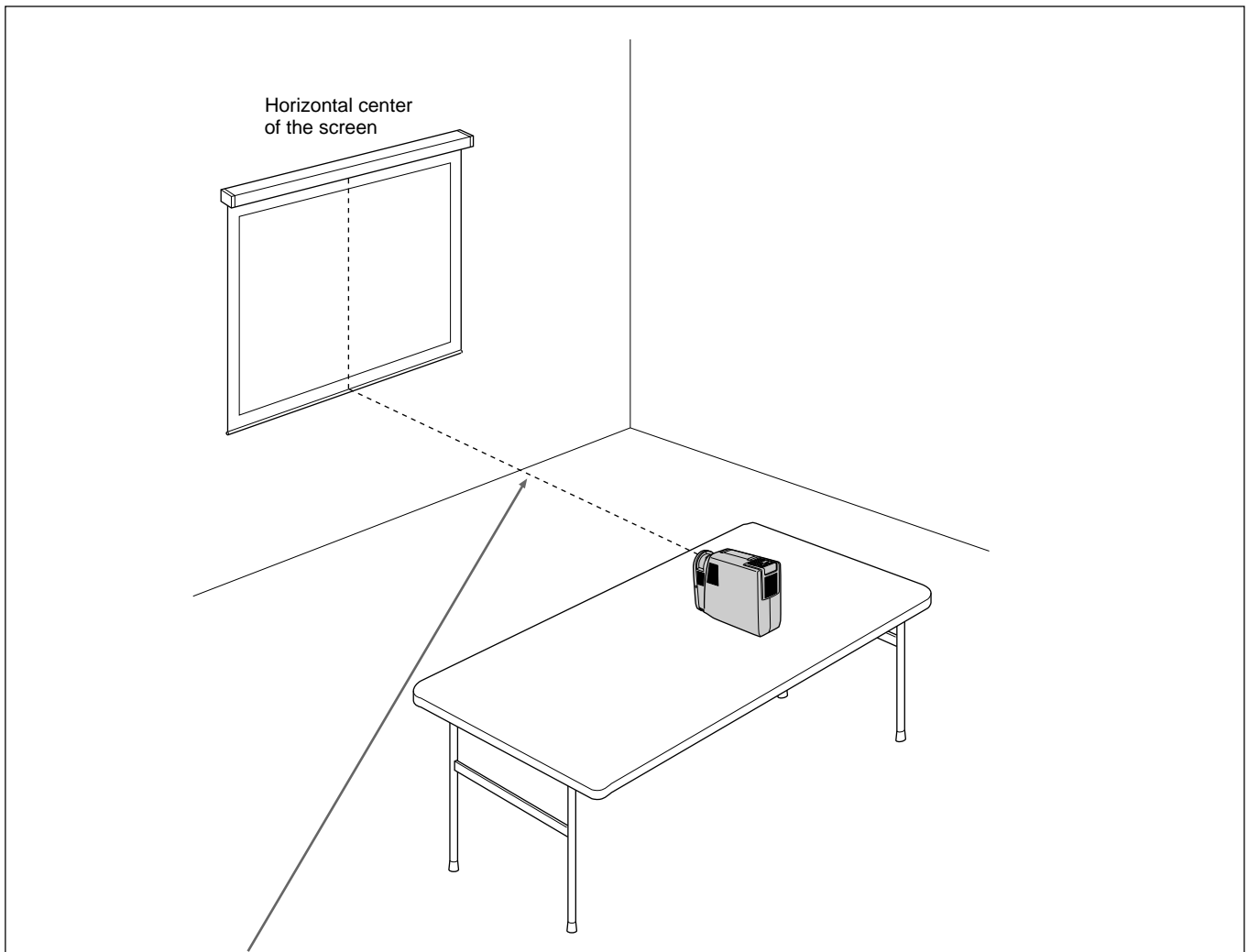
- Make sure that the battery orientation is correct when inserting batteries.
- Do not mix an old battery with a new one, or different types of batteries.
- If you will not use the Remote Commander for a long time, remove the batteries to avoid damage from battery leakage. If batteries have leaked, remove them, wipe the battery compartment dry and replace the batteries with new ones.

Notes on Remote Commander operation

- Make sure that there is nothing to obstruct the infrared beam between the Remote Commander and the remote control detector on the projector.
- The operation range is limited. The shorter the distance between the Remote Commander and the projector is, the wider the angle within which the commander can control the projector.

Installing the Projector

This section describes the installation arrangements for installing the projector.



The distance between the lens and the screen varies depending on the size of the screen. Use the following table as a guide.

Unit: m (feet)

Screen size (inches)		40	60	80	100	120	150
Distance	Minimum	1.4 (4.6)	2.2 (7.1)	2.9 (9.5)	3.6 (11.9)	4.4 (14.4)	5.5 (18.1)
	Maximum	1.6 (5.4)	2.5 (8.1)	3.3 (10.9)	4.2 (13.7)	5.0 (16.5)	6.3 (20.6)

For detailed information on installation measurements, see page 30 (EN).

- When the VGA signal is input, the picture size becomes smaller by 20%.
- When the Macintosh 16-inch mode (832 × 624) signal is input, the outer image (32 dots (horizontal) /24 lines (vertical)) is not displayed.
- When the XGA signal is input, the resolution is compressed to the 797 × 598 format.

Connecting with a Computer

This section describes how to connect the projector with a computer. For details on how to connect a VCR or component equipment, see page 20 (EN).

When the projector is connected to a computer, you can control the mouse of a computer by the Remote Commander.

The R/L CLICK keys and joy stick function as follows.

Note

Make sure that there is nothing to obstruct the infrared beam between the Remote Commander and the remoter control detector on the projector.

Key and joy stick	Function	
	IBM PC/AT ^{a)} compatible, Serial	Macintosh
R CLICK (front)	Right button	Mouse button
L CLICK (rear)	Left button	Mouse button
Joy stick	Corresponds with the movements of the mouse	

a) IBM PC/AT is a registered trademark of International Business Machines Corporation, U.S.A.

Also refer to the instruction manual of equipment to be connected.

Notes

- This unit accepts the VGA, SVGA and XGA signals. However, we recommend you to set the output mode of your computer to the SVGA mode for the external monitor.
- If you set your computer, such as a notebook type IBM PC/AT compatible, to output the signal to both the display of your computer and the external monitor, the picture of the external monitor may not appear properly. In such cases, set the output mode of your computer to output the signal to only the external monitor.

For details, refer to the operating instructions supplied with your computer.

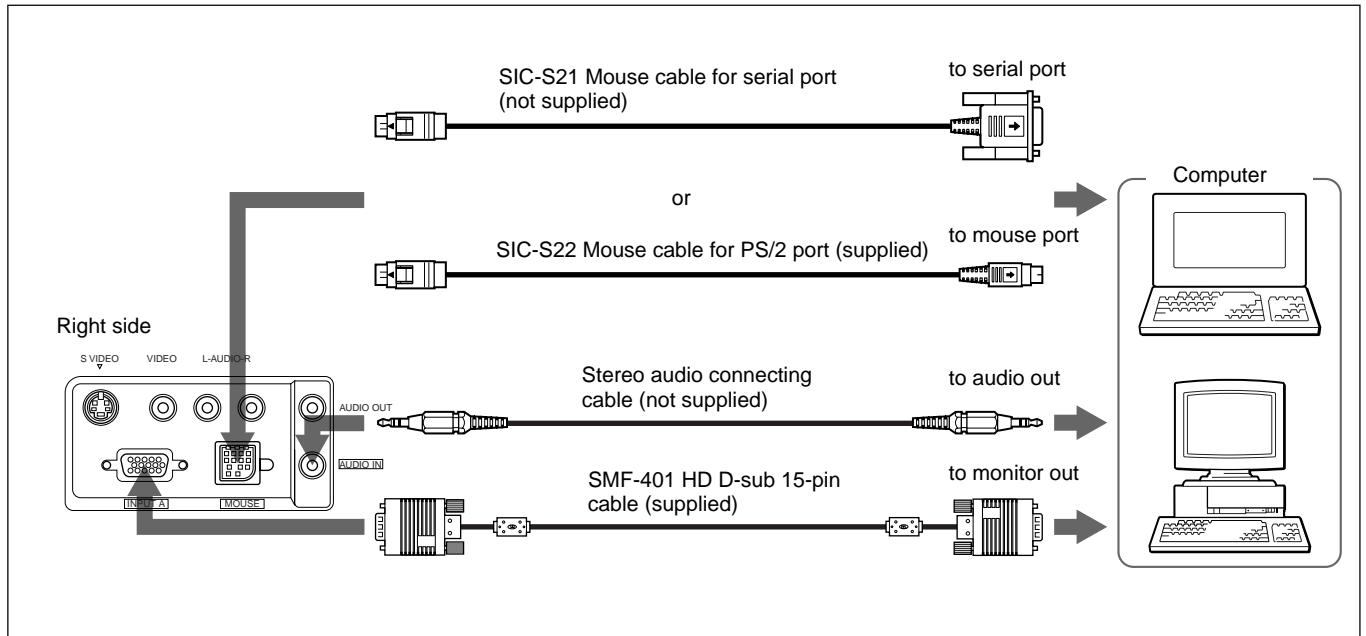
When making connections, be sure to:

- turn off all equipment before making any connections.
- use the proper cables for each connection.
- insert the plugs of the cables properly; plugs that are not fully inserted often generate noise. When pulling out a cable, be sure to pull it out from the plug, not the cable itself.

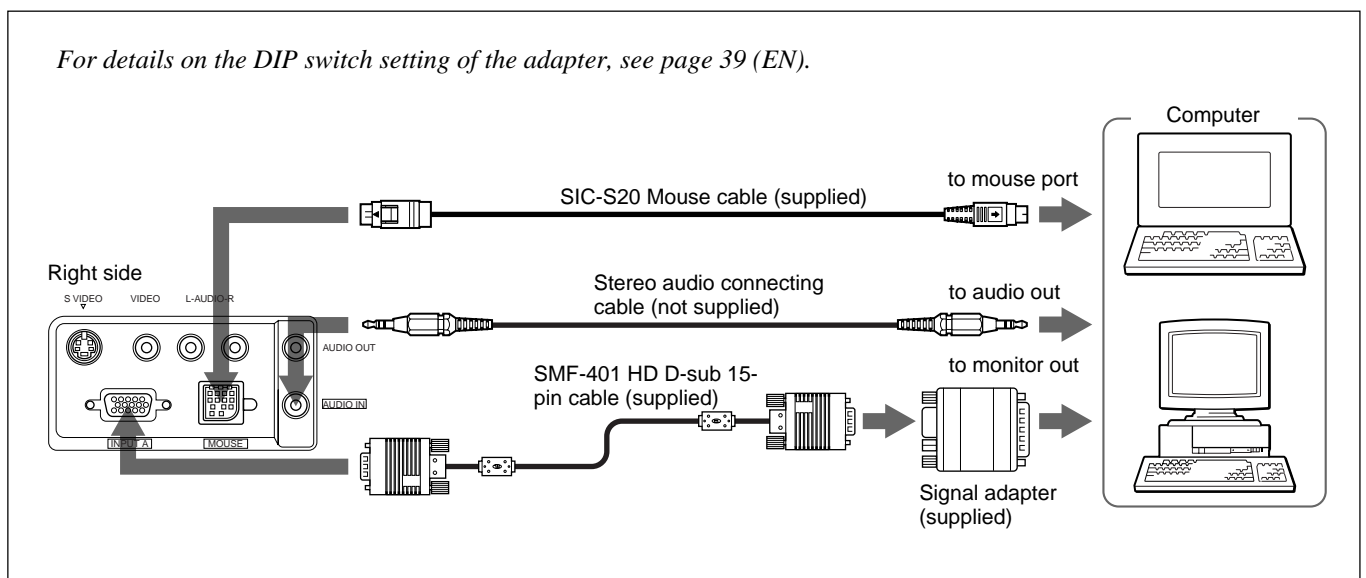
Note

Supplied mouse cables may not work properly according to your computer.

When connecting with an IBM PC/AT compatible computer



When connecting with a Macintosh computer



Connecting

Connecting with a VCR/Component Equipment

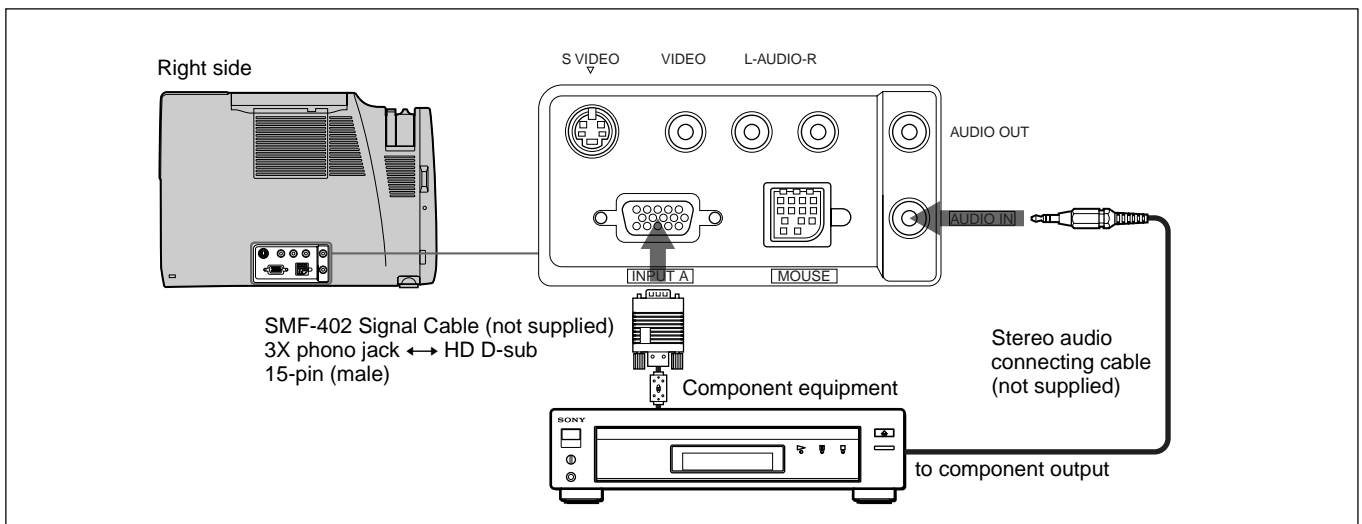
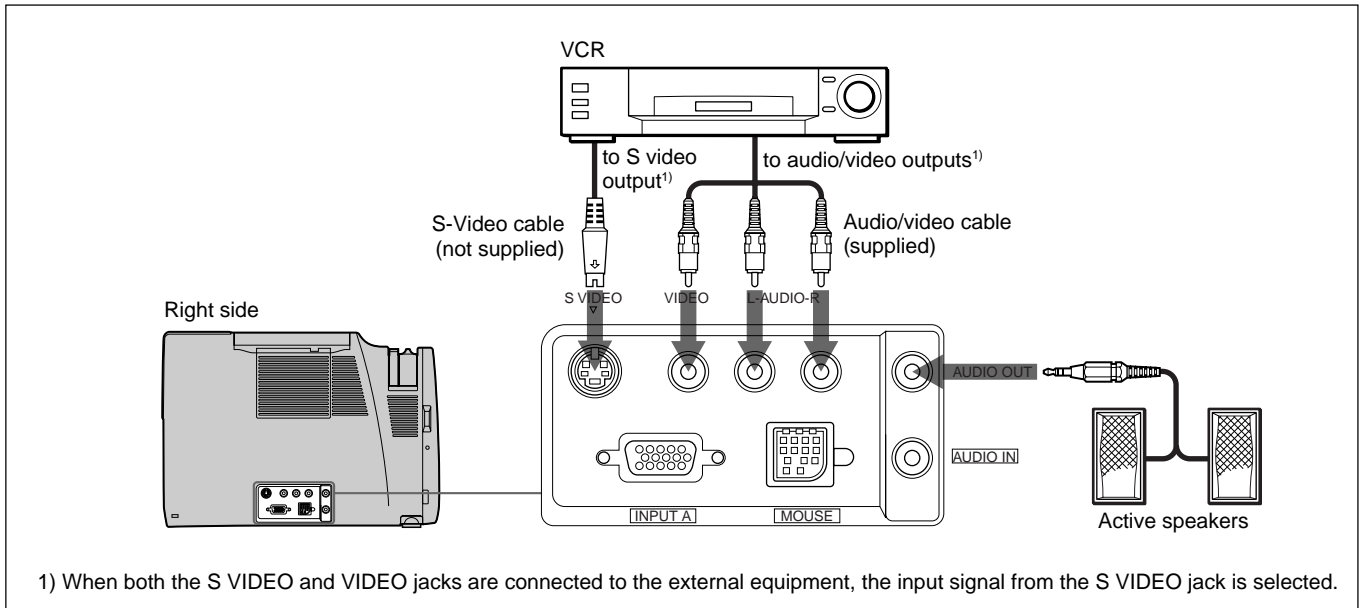
This section describes how to connect the projector with a VCR, external active speakers, and component equipment.

For details on how to connect a computer, see page 18 (EN).

Also refer to the instruction manuals of equipment to be connected.

When making connections, be sure to:

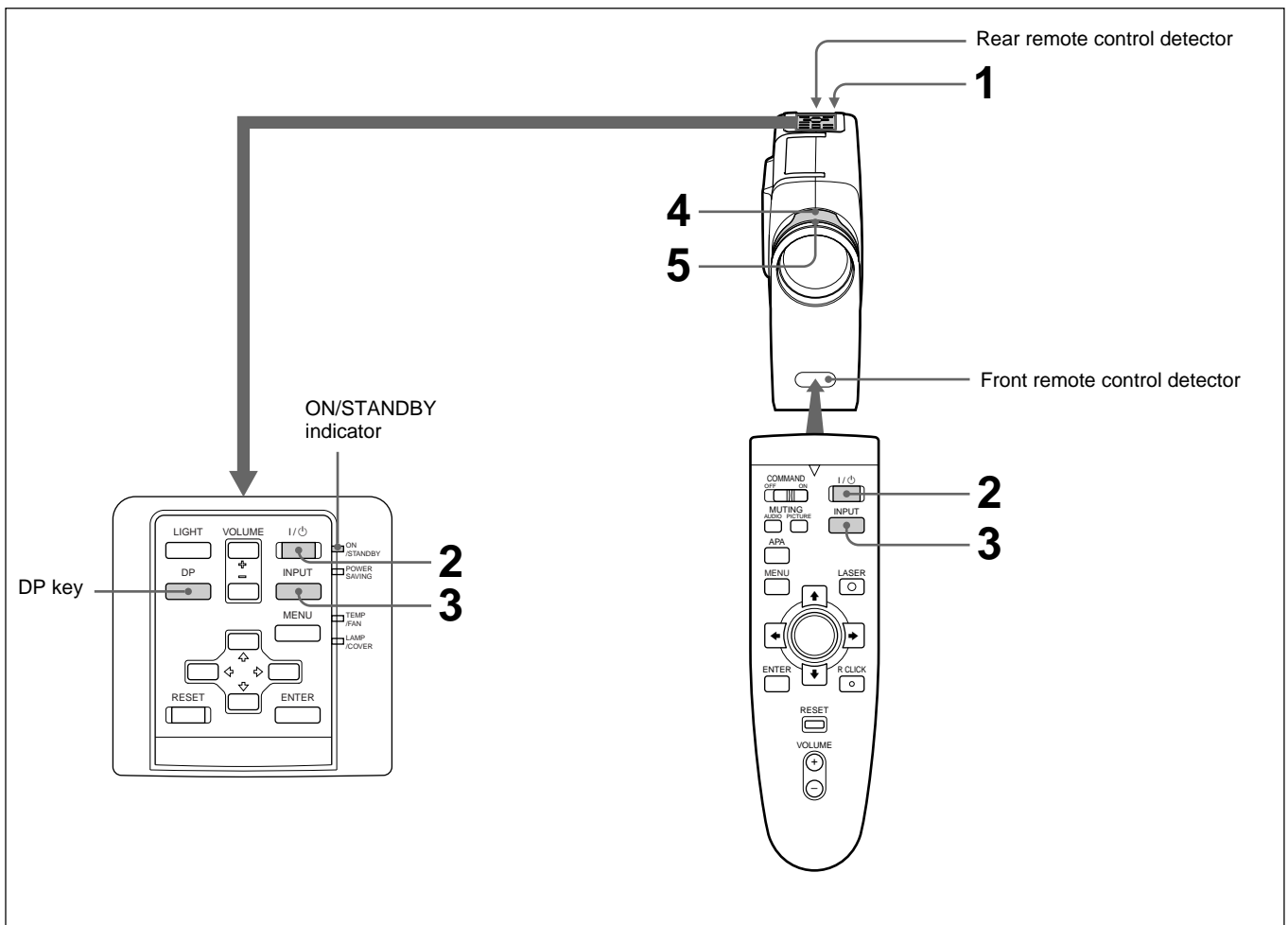
- turn off all equipment before making any connections.
- use the proper cables for each connection.
- insert the plugs of the cables properly; plugs that are not fully inserted often generate noise. When pulling out a cable, be sure to pull it out from the plug, not the cable itself.



Note

Set the aspect ratio using ASPECT in the INPUT SETTING menu according to the input signal.

Projecting



- 1** After all equipment is connected completely, plug the AC power cord into the wall outlet.

The ON/STANDBY indicator lights in red and the projector goes into the standby mode.

- 2** Press the I / ⏻ key on the Remote Commander or on the control panel.

The ON/STANDBY indicator lights in green.

- 3** Turn on equipment connected to the projector. Press the INPUT key on the Remote Commander or on the control panel to select the input source.

INPUT-A: Selects audio and video signals input from the INPUT-A connector.

VIDEO: Selects audio and video signals input from the video/audio input connector.

(If you connect to both the S VIDEO and VIDEO jacks, the signal from the S VIDEO jack is selected.)

(Continued)

- 4 Turn the zoom ring to adjust the size of the picture.
- 5 Turn the focus ring to adjust the focus.

Note

Do not look into the lens when the projector lamp is on.

To	Press
Adjust the volume	the VOLUME +/- keys on the control panel or on the Remote Commander.
Cut off the sound	the AUDIO MUTING key on the Remote Commander. To restore the sound, press the AUDIO MUTING key again or press the VOLUME + key.
Cut off the picture	the PICTURE MUTING key on the Remote Commander. To restore the picture, press the PICTURE MUTING key again.

To get the clearest picture

You can adjust the dot phase when a signal from the computer is input.
For details on DOT PHASE, see page 27 (EN).

- 1 Press the DP key on the control panel.
- 2 Press the ◀/▶ key on the Remote Commander or on the control panel to adjust the dot phase.

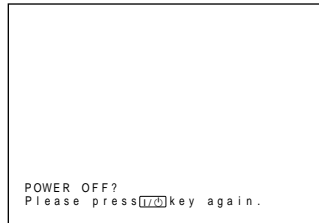
Adjust the picture to where it looks clearest.

You can also adjust the dot phase through the menu.
For details, see "The INPUT SETTING menu" on page 27 (EN).

To turn off the power

- 1 Press the I / ⏻ key on the Remote Commander or on the control panel.

The following message appears to confirm if you want to turn off the power.



Note

The message will disappear if you press any key except the I / ⏻ key, or if you do not press any key for five seconds.

- 2 Press the I / ⏻ key on the Remote Commander or on the control panel again.

The ON/STANDBY indicator flashes in green and the fan continues to run for about 90 seconds to reduce the internal heat. Also, the ON/STANDBY indicator flashes quickly for the first 30 seconds. During this time, you will not be able to turn the power back on with the I / ⏻ key.

- 3 Unplug the AC power cord from the wall outlet after the fan stops running and the ON/STANDBY indicator lights in red.

When you cannot confirm the on-screen message

When you cannot confirm the on-screen message in a certain condition, you can turn off the power by holding the I / ⏻ key on the Remote Commander or on the control panel for about one second.

Note

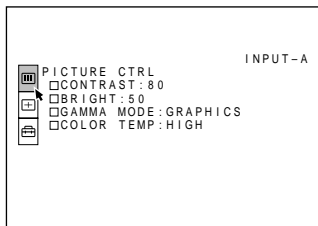
Do not unplug the AC power cord while the fan is still running; otherwise, the fan will stop although the internal heat is still high, leading to breakdown of the projector.

Using the MENU

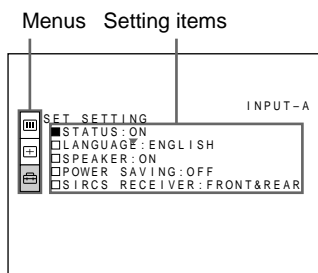
The projector is equipped with an on-screen menu for making various adjustments and settings.

To select the language used in the menu, see page 29 (EN).

- 1 Press the MENU key.
The menu display appears.
The menu presently selected is highlighted in blue.



- 2 Use the **↑** or **↓** key to select a menu, then press the **→** or **ENTER** key.
The selected menu appears.



- 3 Make setting or adjustment on an item.
For details on setting individual items, see the relevant menu pages.

To clear the menu display

Press the MENU key.
The menu display disappears automatically if no key is pressed for one minute.

To reset items that have been adjusted

Press the RESET key.

“Complete!” appears on the screen and the settings appearing on the screen will be reset to their factory preset values.

Items which can be reset are:

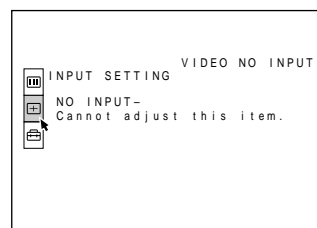
- “CONTRAST”, “BRIGHT”, “COLOR”, “HUE”, and “SHARP” in the PICTURE CTRL menu
- “DOT PHASE”, “SIZE”, and “SHIFT” in the INPUT SETTING menu.

About the memory of the settings

The settings are automatically stored in the projector memory.

When no signal is input

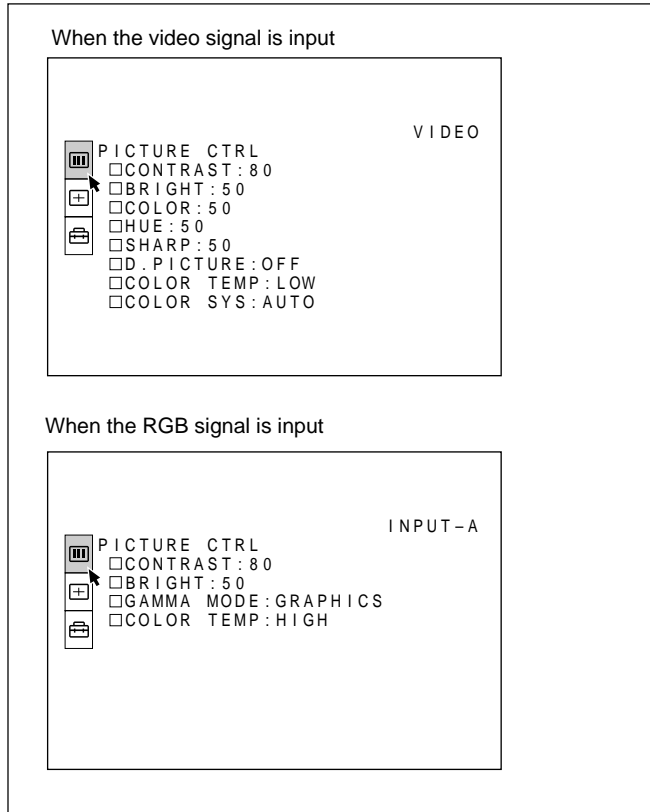
When there is no input signal, the screen turns blue and “NO INPUT—Cannot adjust this item.” appears on the screen, and each item cannot be adjusted.



The PICTURE CTRL Menu

The PICTURE CTRL (control) menu is used for adjusting the picture.

Unadjustable items depending on the input signal are not displayed in the menu.



Operation

1. Select an item

Use the **▲** or **▼** key to select the item, then press the **▶** or **ENTER** key.

2. Adjust an item

- When changing the adjustment level:
 - To increase the number, press the **▲** or **▶** key.
 - To decrease the number, press the **▼** or **◀** key.
 - Press the **ENTER** key to restore the original screen.
- When changing the setting:
 - Press the **▲** or **▼** key to change the setting.
 - Press the **ENTER** or **◀** key to restore the original screen.

CONTRAST

Adjusts the picture contrast.



The higher the setting, the greater the contrast.
The lower the setting, the lower the contrast.

BRIGHT

Adjusts the picture brightness.



The higher the setting, the brighter the picture.
The lower the setting, the darker the picture.

COLOR

Adjusts color intensity.



The higher the setting, the greater the intensity.
The lower the setting, the lower the intensity.

HUE

Adjusts skin tones.



A higher the setting, the picture becomes greenish.
A lower the setting, the picture becomes purplish.

(Continued)

The PICTURE CTRL Menu

SHARP

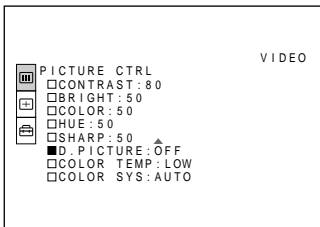
Adjusts the picture sharpness.



The higher the setting, the sharper the picture.
The lower the setting, the softer the picture.

D. (Dynamic) PICTURE

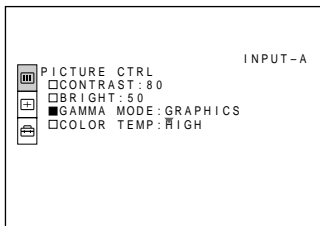
Emphasizes the black color.



- ON:** Emphasizes the black color to produce a bolder “dynamic” picture.
- OFF:** Reproduces the dark portions of the picture accurately, in accordance with the source signal.

GAMMA MODE

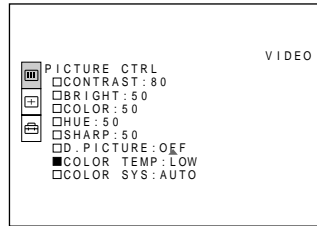
Selects a gamma correction curve.



- GRAPHICS:** Improves the reproduction of half tones. Photos can be reproduced in natural tones.
- TEXT:** Contrasts black and white. Suitable for images that contains lots of text.

COLOR TEMP

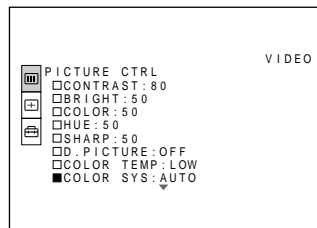
Adjusts the color temperature.



- HIGH:** Makes the white color bluish.
- LOW:** Makes the white color reddish.

COLOR SYS (System)

Selects the color system of the input signal.



Normally, set to AUTO.
If the picture is distorted or colorless, select the color system according to the input signal.

Input signals and adjustable/setting items

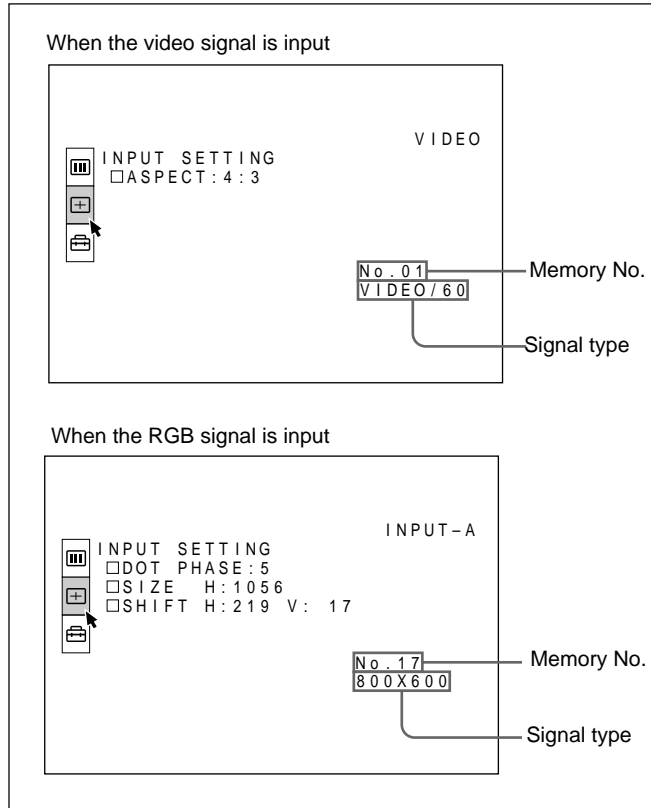
Item	Input signal			
	Video or S video (Y/C)	Component	RGB	B&W
CONTRAST	●	●	●	●
BRIGHT	●	●	●	●
COLOR	●	●	–	–
HUE	● (NTSC3.58/ 4.43 only)	–	–	–
SHARP	●	●	–	●
D. PICTURE	●	●	–	●
GAMMA MODE	–	–	●	–
COLOR TEMP	●	●	●	●
COLOR SYS	●	–	–	●

- : Adjustable/can be set
- : Not adjustable/can not be set

The INPUT SETTING Menu

The INPUT SETTING menu is used to adjust the input signal.

Unadjustable items depending on the input signal are not displayed in the menu.



Operation

1. Select an item

Use the **▲** or **▼** key to select the item, then press the **▶** or **ENTER** key.

2. Adjust an item

- When changing the adjustment level:
 - To increase the number, press the **▲** or **▶** key.
 - To decrease the number, press the **▼** or **◀** key.
 - Press the **ENTER** key to restore the original screen.
- When changing the setting:
 - Press the **▲** or **▼** key to change the setting.
 - Press the **ENTER** or **◀** key to restore the original screen.

DOT PHASE

Adjusts the dot phase of the LCD panel and the signal input from the INPUT A connector.

Adjust the picture to where it looks clearest.



You can directly display the menu above with the DP key on the control panel.

SIZE

Adjusts the horizontal size of picture input from the INPUT A connector.



The higher the setting, the larger the horizontal size of the picture.

The lower the setting, the smaller the horizontal size of the picture. Adjust the setting according to the dots of the input signal. For details on the suitable value for the preset signals, see page 28 (EN).

SHIFT

Adjusts the position of the picture input from the INPUT A connector.



H adjusts the horizontal position of the picture.

V adjusts the vertical position of the picture.

As the setting for H increases, the picture moves to the right, and as the setting decreases, the picture moves to the left.

As the setting for V increases, the picture moves up, and as the setting decreases, the picture moves down.

Use the **◀** or the **▶** key to adjust the horizontal position and the **▲** and **▼** key for the vertical position.

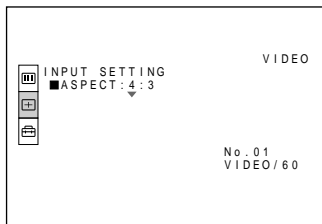
(Continued)

The INPUT SETTING Menu

ASPECT

Sets the aspect ratio of the picture.

When inputting 16:9 (squeezed) signal from equipment such as a DVD player, set to 16:9.



4:3: When the picture with ratio 4:3 is input.

16:9: When the picture with ratio 16:9 (squeezed) is input.

Input signals and adjustable/setting items

Item	Input signal			
	Video or S video (Y/C)	Component	RGB	B&W
DOT PHASE	–	–	●	–
SIZE	–	–	●	–
SHIFT	–	–	●	–
ASPECT	●	●	–	●

● : Adjustable/can be set

– : Not adjustable/can not be set

About the preset memory No.

This projector has 22 kinds of preset data for input signals for INPUT A (the preset memory). The memory number of the current input signal and the signal type are displayed when the preset signal is input. This projector automatically detects the signal type. When the signal is registered to the preset memory, a suitable picture is displayed on the screen according to the signal type. You can adjust the picture through the INPUT SETTING menu.

This projector also has 20 kinds of user memories for INPUT A. When an unpreset signal is input for the first time, memory number is displayed as 00. If the input signal is adjusted in the INPUT SETTING menu, the setting via INPUT A is stored under the memory number 51 to 70. When more than 20 user memories are registered for INPUT A, the newest memory is automatically stored over the oldest one.

Preset signals

Memory No.	Preset signal	fH (kHz)	fV (Hz)	Sync	SIZE	
1	Video 60 Hz	15.734	59.940	H-neg V-neg		
2	Video 50 Hz	15.625	50.000	H-neg V-neg		
3	Component 60 Hz	15.734	59.940	H-neg V-neg		
4	Component 50 Hz	15.625	50.000	H-neg V-neg		
6	640 × 350	VGA mode 1	31.469	70.086	H-pos V-neg	800
7		VGA VESA ^{a)} 85 Hz	37.861	85.080	H-pos V-neg	832
8	640 × 400	PC-9801 ^{b)} Normal	24.823	56.416	H-neg V-neg	848
9		VGA mode 2	31.469	70.086	H-neg V-pos	800
10		VGA VESA 85 Hz	37.861	85.080	H-neg V-pos	832
11		VGA mode 3	31.469	59.940	H-neg V-neg	800
12	640 × 480	Macintosh 13"	35.000	66.667	H-neg V-neg	864
13		VGA VESA 72 Hz	37.861	72.809	H-neg V-neg	832
14		VGA VESA 75 Hz	37.500	75.000	H-neg V-neg	840
15		VGA VESA 85 Hz	43.269	85.008	H-neg V-neg	832
16	800 × 600	SVGA VESA 56 Hz	35.156	56.250	H-pos V-pos	1024
17		SVGA VESA 60 Hz	37.879	60.317	H-pos V-pos	1056
18		SVGA VESA 72 Hz	48.077	72.188	H-pos V-pos	1040
19		SVGA VESA 75 Hz	46.875	75.000	H-pos V-pos	1056
20		SVGA VESA 85 Hz	53.674	85.061	H-pos V-pos	1048
21	832 × 624	Macintosh 16"	49.724	74.550	H-neg V-neg	1152
23		XGA VESA 60 Hz	48.363	60.004	H-neg V-neg	1061
24		XGA VESA 70 Hz	56.476	70.069	H-neg V-neg	1048

a) VESA is a registered trademark of Video Electronics Standard Association.

b) PC-98 is a registered trademark of NEC Corporation.

Since the data is recalled from the preset memory about the following signals, you can use these preset data by adjusting SIZE. Make fine adjustment by adjusting SHIFT.

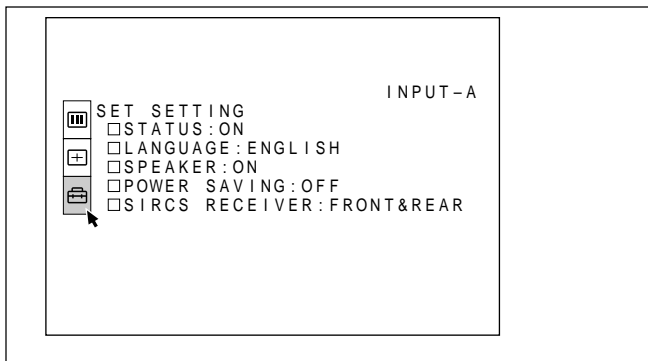
Signal	Memory No.	SIZE
Super Mac-2	23	1035
SGL-1	23	1041

Notes

- When the aspect ratio of input signal is other than 4:3, a part of the screen is displayed in black.
- When the VGA signal is input, the picture size becomes smaller by 20%.
- When the Macintosh 16-inch mode (832 × 624) signal is input, the outer image (32 dots (horizontal)/24 lines (vertical)) is not displayed.
- When the XGA signal is input, the resolution is compressed to the 797 × 598 format.

The SET SETTING Menu

The SET SETTING menu is used for changing the settings of the projector.



Operation

1. Select an item

Use the **▲** or **▼** key to select the item, then press the **▶** or **ENTER** key.

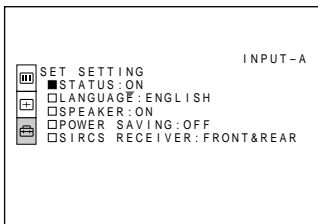
2. Change the setting

Press the **▲** or **▼** key to change the setting.

To restore the original screen, press the **ENTER** or **◀** key.

STATUS (on-screen display)

Sets up the on-screen display.



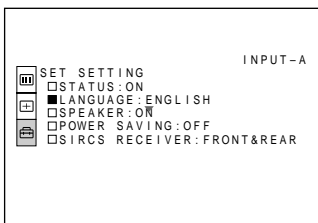
ON: Shows all of the on-screen displays.

OFF: Turns off the on-screen displays except for the menus, a message when turning off the power, and warning messages.

For details on the warning messages, see page 36 (EN).

LANGUAGE

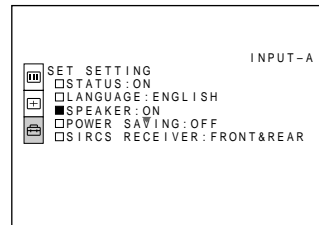
Selects the language used in the menu and on-screen displays.



Available languages are: English, French, German, Italian, Spanish, Japanese and Chinese.

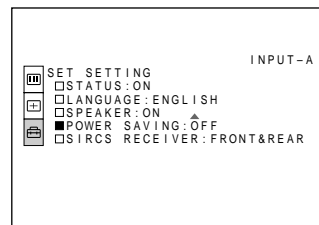
SPEAKER

Set to **OFF** to cut off the sound of the internal speakers. When set to **OFF**, “**SPEAKER OFF**” appears on the screen when you turn on the power.



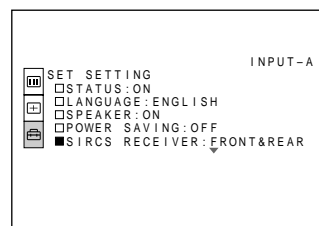
POWER SAVING

When set to **ON**, the projector goes into the power saving mode if no signal is input for 10 minutes.



SIRCS RECEIVER

Selects the remote control detectors on the front and rear of the projector.



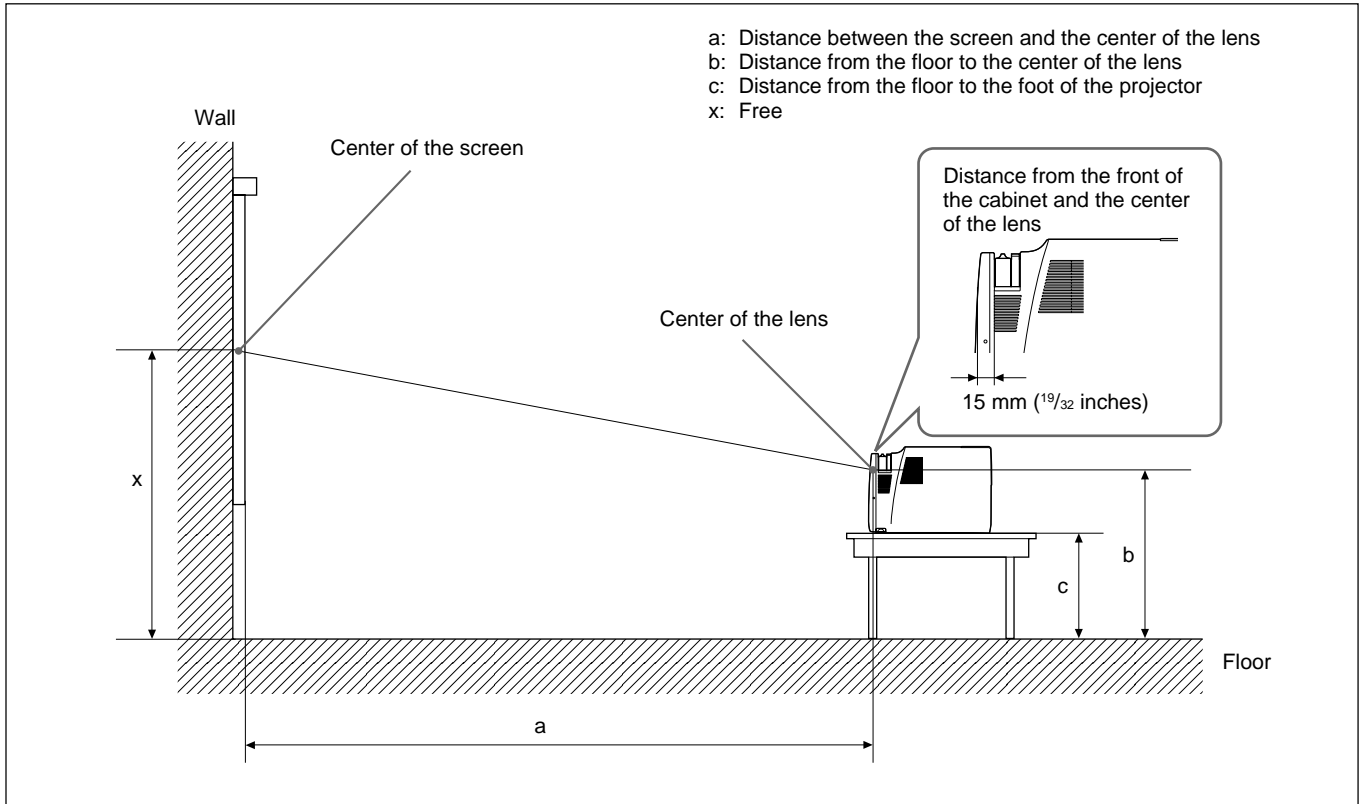
FRONT & REAR: Activates both the front and rear detectors.

FRONT: Activates the front detector only.

REAR: Activates the rear detector only.

Installation Example

You can not install the projector upside down, such as on a ceiling.
The on-screen picture size changes according to the input signal. Note that the projection distance also changes depending on the picture size.



Unit: mm (inches)

Screen size (inches)		40	60	80	100	120	150
a	Minimum	1410 (55 5/8)	2160 (85 1/8)	2900 (114 1/4)	3640 (143 3/8)	4390 (172 7/8)	5500 (216 5/8)
	Maximum	1630 (64 1/4)	2480 (97 3/4)	3320 (130 3/4)	4170 (164 1/4)	5020 (197 11/16)	6290 (247 3/4)
b		x-265 (x-10 1/2)	x-398 (x-15 3/4)	x-530 (x-20 7/8)	x-663 (x-26 1/8)	x-795 (x-31 3/8)	x-994 (x-39 1/4)
c		x-423 (x-16 3/4)	x-556 (x-22)	x-688 (x-27 1/8)	x-821 (x-32 3/8)	x-953 (x-37 5/8)	x-1152 (x-45 3/8)

To calculate the installation measurement (unit: mm)

SS: screen size diagonal (inches)

$$a \text{ (minimum)} = \{(SS \times 32.83/0.9055) - 70.33\} \times 1.025$$

$$a \text{ (maximum)} = \{(SS \times 39.393/0.9055) - 70.15\} \times 0.975$$

$$b = x - (SS/0.9055 \times 6)$$

$$c = x - (SS/1.26 \times 6 + 158.3)$$

Unsuitable Installation

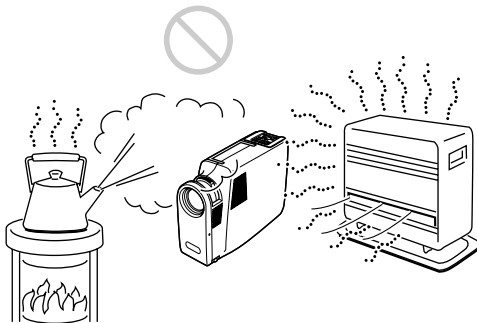
Do not install the projector in the following situations. These installations may cause malfunction or damage to the projector.

Poorly ventilated



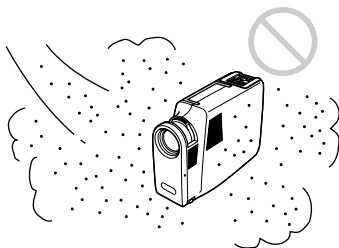
- Allow adequate air circulation to prevent internal heat build-up. Do not place the unit on surfaces (rugs, blankets, etc.) or near materials (curtains, draperies) that may block the ventilation holes. When the internal heat builds up due to the block-up, the temperature sensor will function with the message “High Temperature! Power off in 1 min.” The power will be turned off automatically after one minute.
- Leave space of more than 30 cm (11 7/8 inches) around the unit.
- Be careful that the ventilation holes may inhale tininess such as a piece of paper.

Highly heated and humid



- Avoid installing the unit in a location where the temperature or humidity is very high, or temperature is very low.
- To avoid moisture condensation, do not install the unit in a location where the temperature may rise rapidly.

Very dusty

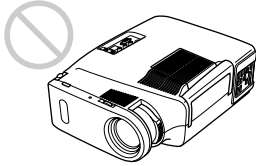


Avoid installing the unit in a location where there is a lot of dust; otherwise, the air filter will be obstructed. The dust blocking the air through the filter may cause raising the internal heat of the projector. Clean it up periodically.

Notes on Installation

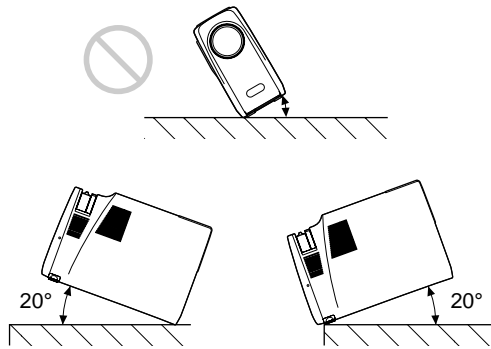
Carry out the followings.

No toppling of the unit



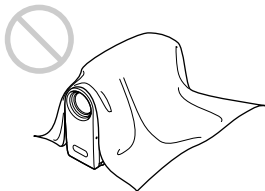
Avoid using as the unit topples over on its side. It may cause malfunction.

Use to be level



Do not install the unit other than on the floor. Avoid using as the unit tilts to one side or tilts upward or downward more than 20 degrees. These installation may cause malfunction.

No blocking the ventilation holes



Avoid using something to cover over the ventilation holes; otherwise, the internal heat may build up.

Replacing the Lamp

When it is time to replace the lamp, replace the lamp promptly with a new LMP-600 Projector Lamp.

When replacing the lamp after using the projector

Turn off the projector, then unplug the power cord. Wait for at least an hour for the lamp to cool.

Note

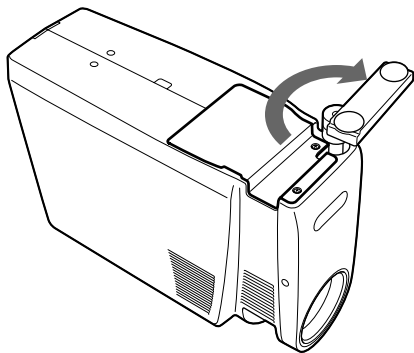
The lamp will still be very hot after turning off the power. Wait until the lamp has cooled completely before replacing.

- 1 Place a protective sheet (cloth) beneath the projector. Turn the projector over so it is upside down.

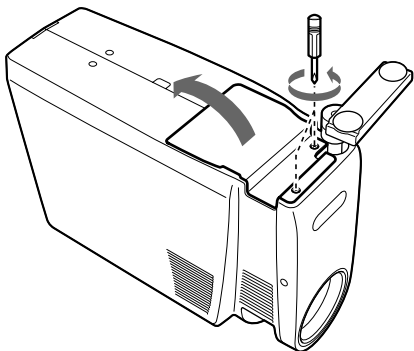
Note

Be careful not to topple over the projector after turning it over.

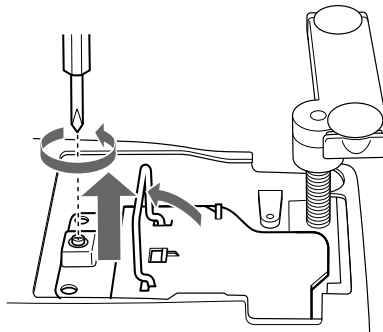
- 2 Pull out the adjuster by pressing the adjuster button and turn it outward.



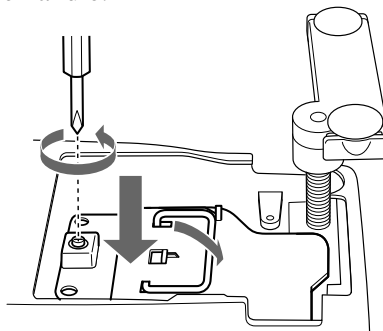
- 3 Open the lamp cover by loosening two screws with the Philips screwdriver (supplied with the LMP-600 Projector Lamp). For safety reasons, do not loosen the other screws.



- 4 Loosen the screw on the lamp unit with the Philips screwdriver. Pull out the lamp unit by the handle.



- 5 Insert the new lamp all the way in until it is securely in place. Tighten the screw. Fold down the handle.



Notes

- Be careful not to touch the glass surface of the lamp.
- The power will not turn on if the lamp is not secured properly.

- 6 Close the lamp cover and tighten the screws.
- 7 Turn the adjuster inward and push it back.
- 8 Turn the projector back over.
- 9 Connect the power cord and turn the projector to the standby mode.
- 10 Press the following keys on the control panel in the following order for less than five seconds each: LIGHT, ←, →, ENTER.

Maintenance

Notes

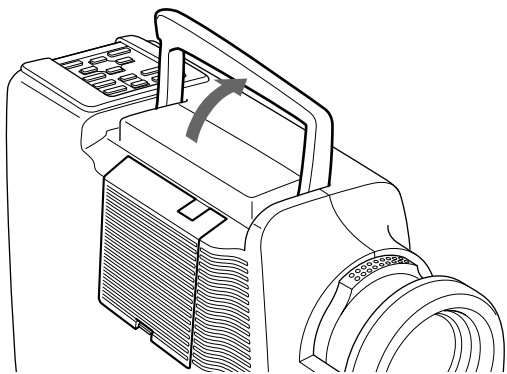
- The lamp becomes a high temperature after turning off the projector with the I/⏻ key. If you touch the lamp, you may scald your finger. When you replace the lamp, wait for at least an hour for the lamp to cool.
- Be sure to use the LMP-600 Projector Lamp for replacement. If you use lamps other than LMP-600, the projector may cause a malfunction.
- Be sure to turn off the projector and unplug the power cord before replacing the lamp.
- Do not place the old lamp near children or near the objects which catch fire easily.
- Do not get wet the lamp or fall any liquid or object inside the lamp. The lamp may be broken.
- Do not put your hands into the lamp replacement spot, or do not fall any liquid or object into it to avoid electrical shock or fire.

Cleaning the Air Filter

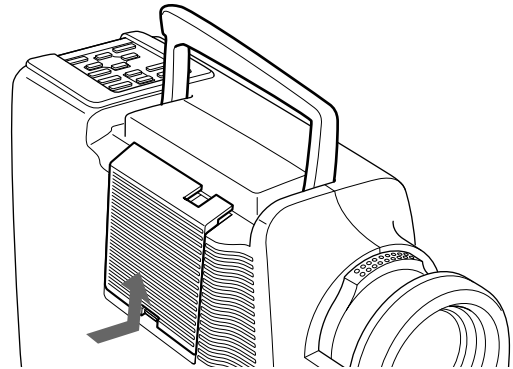
The air filter should be cleaned every 300 hours. When it becomes difficult to remove the dust from the filter, replace the filter with a new one.

To clean the air filter, follow the steps below:

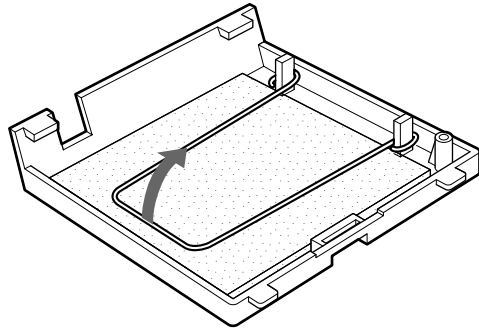
- 1** Turn off the power and unplug the power cord.
- 2** Pull up the carrying handle.



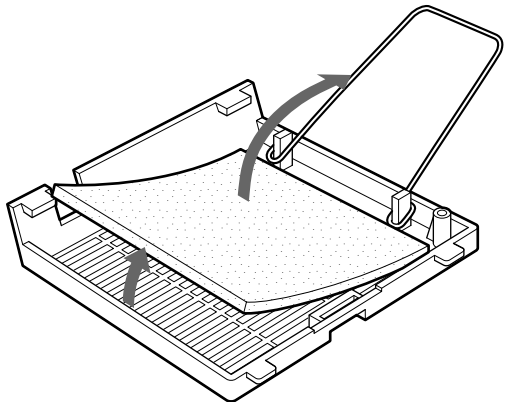
- 3** Press and hold the PUSH button and remove the air filter cover on the right side of the projector.



- 4** Pull up the spring.



- 5** Remove the air filter.



- 6** Remove the dust from the filter with a vacuum cleaner.
- 7** Attach the air filter and replace the cover.

Troubleshooting

If the projector appears to be operating erratically, try to diagnose and correct the problem, using the following guide. If the problem still persists, consult with qualified Sony personnel.

Symptom	Cause	Remedy
The power is not turned on.	The power has been turned off and on with the I / ⏻ key at a short interval.	Wait for about 90 seconds before turning on the power (see page 21 (EN)).
	The lamp cover is detached.	Close the lamp cover securely (see page 33 (EN)).
	The air filter cover is detached.	Close the air filter cover securely (see page 34 (EN)).
No picture and no sound.	Cable is disconnected.	Check that the proper connections have been made (see pages 18 (EN) to 20 (EN)).
	Wrong connection.	Check that the proper connections have been made (see pages 18 (EN) to 20 (EN)).
	Input selection is incorrect.	Select the input source correctly using the INPUT key (see page 21 (EN)).
No picture or no sound.	Either the picture or the sound is cut off.	Press the MUTING keys to release the muting function (see page 22 (EN)).
No picture.	The computer signal is not set to output to external monitor.	Set the computer signal to output to external monitor (see page 18 (EN)).
	The computer signal is set to output to both the LCD of the computer and external monitor.	Set the computer signal to output only to external monitor (see page 18 (EN)).
The picture is noisy.	Noise may appear on the background depending on the combination of the numbers of dot input from the connector and numbers of pixel on the LCD panel.	Change the desktop pattern on the connected computer.
When inputting sound through INPUT-A connector, sound comes through one channel only.	Monaural sound is being input through the INPUT-A connector.	Input stereo sound.
The picture from the INPUT-A connector is too bright.	The 75Ω termination switch on the bottom is set to OFF.	Set the 75Ω termination switch to ON.
The picture from INPUT-A connector is colored strange.	The 15k RGB signal is input.	Input the correct signal. This unit does not accept the 15k RGB signal (see page 28 (EN)).
On-screen displays do not appear.	STATUS in the SET SETTING menu has been set to OFF.	Set STATUS in the SET SETTING menu to ON (see page 29 (EN)).
Color balance is incorrect.	Picture has not been adjusted properly.	Adjust the picture (see pages 25 (EN) and 26 (EN)).
	Projector is set to wrong color system.	Set COLOR SYS in the PICTURE CTRL menu to match the color system being input (see page 26 (EN)).
The picture is too dark.	Contrast or brightness has not been adjusted properly.	Adjust the contrast or brightness in the PICTURE CTRL menu properly (see page 25 (EN)).
The picture is not clear.	Picture is out of focus.	Adjust the focus (see page 22 (EN)).
	Condensation has occurred on the lens.	Leave the projector for about two hours with the power on (see page 31 (EN)).

(Continued)

Troubleshooting

Symptom	Cause	Remedy
The LAMP/COVER indicator flashes.	The lamp cover or the air filter cover is detached.	Attach the cover securely (see pages 33 (EN) and 34 (EN)).
The LAMP/COVER indicator lights up.	The lamp has reached the end of its life.	Replace the lamp (see page 33 (EN)).
	The lamp becomes a high temperature.	Wait for 90 seconds to cool down the lamp and turn on the power again (see page 21 (EN)).
The TEMP/FAN indicator flashes.	The fan is broken.	Consult with qualified Sony personnel.
The TEMP/FAN indicator lights up.	The internal temperature is unusually high.	Check to see if nothing is blocking the ventilation holes.
The Remote Commander does not work.	The Remote Commander batteries are dead.	Replace with new batteries (see page 16 (EN)).
	The COMMANDER ON/OFF switch is set to the OFF position.	Set the switch to ON position (see page 16 (EN)).
	The cable is connected to the CONTROL S OUT jack.	Disconnect the cable (see page 16 (EN)).
	The front/rear remote control detector is near the fluorescent lamp.	Change the setting of SIRCS RECEIVER in the SET SETTING menu (see page 29 (EN)).
The laser pointer is not emitted.	The batteries are dead.	Replace with new batteries (see page 16 (EN)).
	The Remote Commander is used as wired without batteries.	Install batteries (see page 16 (EN)).
The joystick, R CLICK, or L CLICK key does not function.	The mouse port on the computer does not recognize the mouse cable.	Restart the computer.

Warning messages

Use the list below to check the meaning of the messages displayed on the screen.

Message	Meaning	Remedy
High Temperature! Power off in 1 min.	Internal temperature is too high.	Turn off the power. Check to see if nothing is blocking the ventilation holes.
Frequency is out of range!	This input signal cannot be projected as the frequency is out of the acceptable range of the projector.	Input a signal that is within the range of the frequency.
	The resolution setting of the output signal of a computer is too high.	Set the setting of output to the SVGA (see page 18 (EN)).

Caution messages

Use the list below to check the meaning of the messages displayed on the screen.

Message	Meaning	Remedy
NO INPUT	No input signal	Check connections.
Not applicable!	You have pressed the wrong key.	Press the appropriate key.

Optical characteristics

Projection system	3 LCD panels, 1 lens, projection system
LCD panel	0.9-inch TFT LCD panel, 1,440,000 pixels (480,000 pixels × 3)
Lens	1.2 times zoom lens f 32.8 to 39.4 mm/F 2.5 to 2.79
Lamp	120 W UHP
Projection picture size	Range: 40 to 150 inches (diagonal measure)
Light output	ANSI lumen ¹⁾ 500 lm
Throwing distance (When the SVGA signal is input)	40-inch: 1410 to 1630 mm (55 5/8 to 64 1/4 inches) 60-inch: 2160 to 2480 mm (85 1/8 to 97 3/4 inches) 80-inch: 2900 to 3320 mm (114 1/4 to 130 3/4 inches) 100-inch: 3640 to 4170 mm (143 3/8 to 164 1/4 inches) 120-inch: 4390 to 5020 mm (172 7/8 to 197 11/16 inches) 150-inch: 5500 to 6290 mm (216 5/8 to 243 3/4 inches)

Electrical characteristics

Color system	NTSC _{3.58} /PAL/SECAM/NTSC _{4.43} /PAL-M system, switched automatically/manually
Resolution	600 horizontal TV lines (Video input) 800 × 600 dots (RGB input)
Acceptable computer signals	fH: 24 to 57 kHz fV: 43 to 85 Hz
Speaker	Stereo speakers system, 36 mm (1 7/16 inches) diameter, max. 0.5 W × 2

Input/Output

Video/audio input	VIDEO: phono type Composite video: 1 Vp-p ±2 dB sync negative (75 ohms terminated) S VIDEO: Y/C mini DIN 4-pin type (male) Y (luminance): 1 Vp-p ±2 dB sync negative (75 ohms terminated) C (chrominance): burst 0.286 Vp-p ±2 dB (NTSC) (75 ohms terminated), burst 0.3 Vp-p ±2 dB (PAL) (75 ohms terminated) AUDIO: Phono type × 2 500 mVrms, impedance more than 47 kilohms
INPUT-A	INPUT A: HD D-sub15-pin (female) Analog RGB/component: R/R-Y: 0.7 Vp-p ±2 dB (75 ohms terminated) G: 0.7 Vp-p ±2 dB (75 ohms terminated) G with sync/Y: 1 Vp-p ±2 dB sync negative (75 ohms terminated) B/B-Y: 0.7 Vp-p ±2 dB (75 ohms terminated) SYNC/HD: Composite sync input: 1-5 Vp-p high impedance, positive/negative Horizontal sync input: 1-5 Vp-p high impedance, positive/negative VD: Vertical sync input: 1-5 Vp-p high impedance, positive/negative MOUSE (output): 13-pin (female) (For details, see "Pin assignment" on page 39 (EN).) AUDIO: Stereo minijack 500 mVrms, impedance more than 47 kilohms

(Continued)

1) ANSI lumen is a measuring method of American National Standard IT 7.228.

Specifications

AUDIO OUT (variable out): stereo minijack
 Max. 500 mVrms, impedance
 5 kilohms

Safety regulations VPL-SC50U: UL1950, cUL (CSA
 C22.2 No.950), FCC Class A, IC
 Class A, DHHS
 VPL-SC50E/SC50M: EN60 950
 EN60825-1, CE, C-Tick

Warranty Card (1) (only for VPL-
 SC50U)

Design and specifications are subject to change
 without notice.

Laser beam

Laser type Class 2
 Wavelength 670 nm
 Output 1 mW

General

Dimensions 107 × 218 × 314 mm (4 1/4 × 8 5/8 ×
 12 3/8 inches) (w/h/d)

Mass Approx. 3.7 kg (8 lb 3 oz)

Power requirements AC 100 to 120 V/ 220 to 240 V,
 2A/0.9A, 50/60 Hz

Power consumption Max. 190 W (Standby mode: 2 W)

Heat dissipation 648.37 BTU

Operating temperature 0°C to 40°C (32°F to 104°F)

Operating humidity 35% to 85% (no condensation)

Storage temperature -20°C to 60°C (-4°F to 140°F)

Storage humidity 10% to 90%

Supplied accessories

Remote Commander RM-PJM600 (1)
 Size AA (R6) batteries (2)
 Video Signal Cable SMF-401 (1)
 Signal Adapter (for Macintosh) (1)
 Mouse Cable
 SIC-S20 (for Macintosh) (2 m) (1)
 SIC-S22 (for PS/2) (2 m) (1)
 Audio/video cable (1.5 m) (1)
 Strap for Remote Commander (1)
 AC power cord (1)
 Air filter (for replacement) (1)
 Operating Instructions (1)
 Quick Reference Card (1)

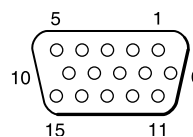
Optional accessories

Projector Lamp LMP-600¹⁾ (for replacement)
 Carrying Case VLC-SC50¹⁾
 Signal Selector IFU-SC50
 Video Signal Cable SMF-401 (HD D-sub 15-pin
 (male) ↔ HD D-sub 15-pin (male))
 Signal Cable
 SMF-402 (HD D-sub 15-pin (male) ↔ 3 × phono
 type (male))
 Mouse Cable
 SIC-S20 (for Macintosh) (2 m)
 SIC-S21 (for Serial) (2 m)
 SIC-S22 (for PS/2) (2 m)
 Signal Adapter
 ADP-10 (HD D-sub 15-pin ↔ D-sub 9-pin (for SIC
 cable))
 ADP-20 (Macintosh ↔ HD D-sub 15-pin)
 SIC cable
 SIC-20A/20C/21/22
 Screens
 80-inch Portable VPS-80C
 100-inch Flat Screen VPS-100FH
 120-inch Flat Screen VPS-120FH

*Some of the items may not be available in some areas. For
 details, please consult your nearest Sony office.*

Pin assignment

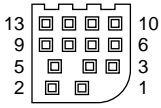
INPUT A connector (HD D-sub 15-pin, female)



1	R/R-Y	9	N.C.
2	G/Y	10	GND
3	B/B-Y	11	GND
4	N.C.	12	N.C.
5	GND	13	HD/C.Sync
6	GND (R)	14	VD
7	GND (G)	15	N.C.
8	GND (B)		

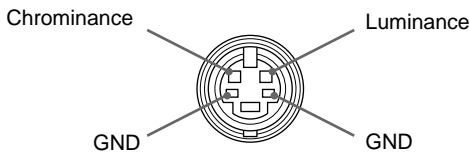
1) LMP-600 and VLC-SC50 may not be available in some areas. For details, please consult your nearest Sony office.

MOUSE connector (13-pin, female)



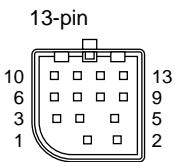
1	RTS	8	R
2	GND	9	98/AT/TXD
3	XA	10	+5V/DTR
4	XB	11	CLOCK
5	YA	12	DATA
6	YB	13	RXD
7	L/PS		

S VIDEO jack (4 pin, mini-DIN)



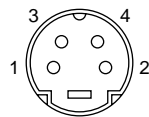
Mouse cable pin assignment

SIC-S20



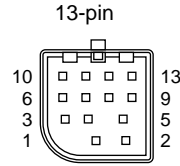
1	RTS	8	R
2	GND	9	98/AT/TXD
3	XA	10	+5V/DTR
4	XB	11	CLOCK
5	YA	12	DATA
6	YB	13	RXD
7	L/PS		

mini DIN 4-pin



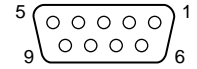
1	ADB
2	NC
3	+5V
4	GND

SIC-S21 (not supplied)



1	RTS	8	R
2	GND	9	98/AT/TXD
3	XA	10	+5V/DTR
4	XB	11	CLOCK
5	YA	12	DATA
6	YB	13	RXD
7	L/PS		

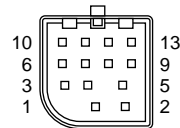
D-sub 9-pin



1	DCD
2	RXD
3	TXD
4	DTR
5	GND
6	DSR
7	RTS
8	CTS
9	RI

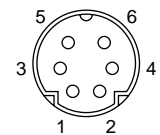
SIC-S22

13-pin



1	RTS	8	R
2	GND	9	98/AT/TXD
3	XA	10	+5V/DTR
4	XB	11	CLOCK
5	YA	12	DATA
6	YB	13	RXD
7	L/PS		

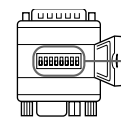
mini DIN 6-pin



1	DATA
2	NC
3	GND
4	+5V
5	CLOCK
6	NC

Switch position for signal adapter

to Macintosh



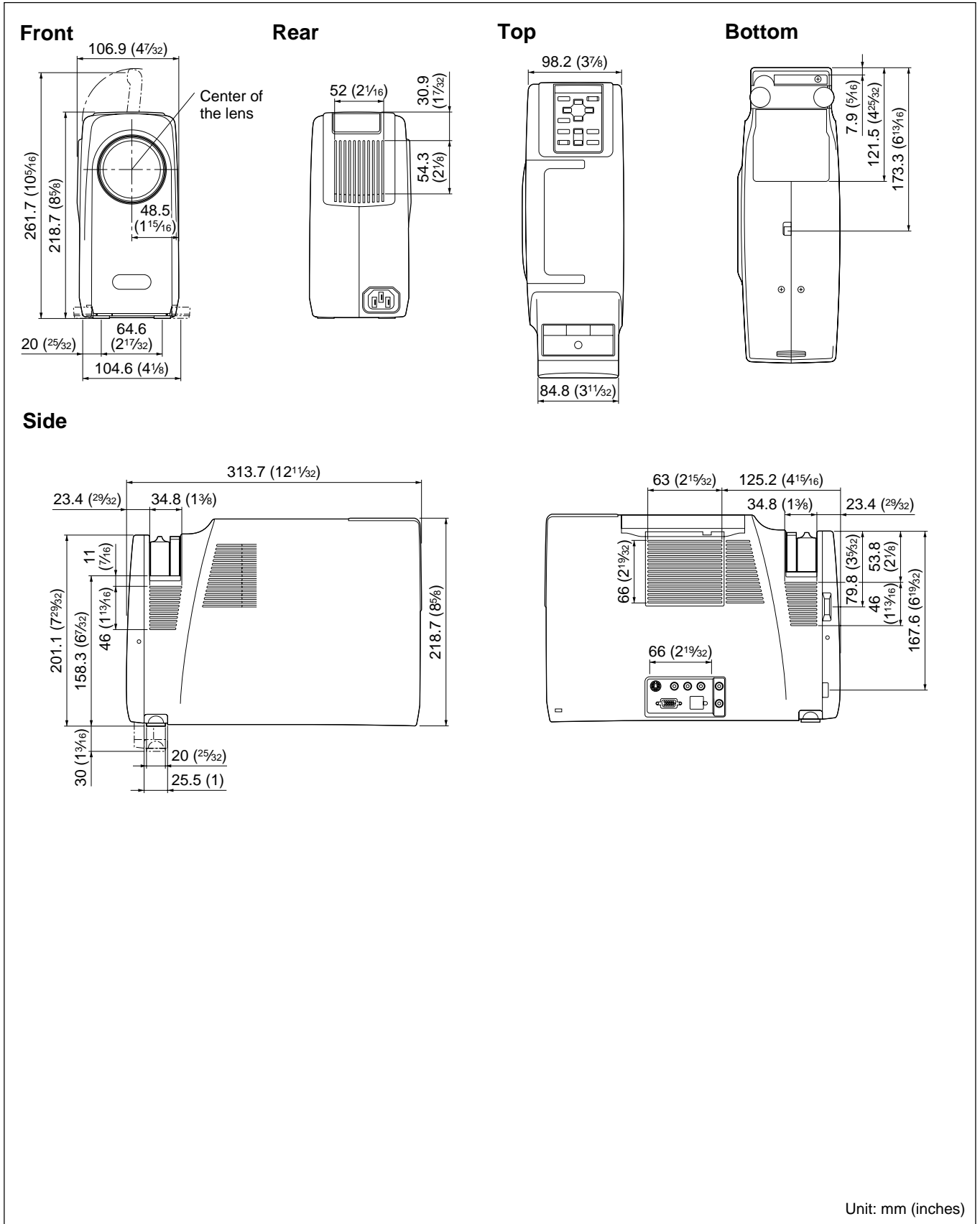
DIP switch

ON (upper position) = 1
OFF (lower position) = 0

Mode	fH	DIP switch 12345678
VGA/S VGA	31.5 kHz/37.8 kHz	00111001
Macintosh 13"	35.0 kHz	11001001
Macintosh 16"	49.7 kHz	01011001

Specifications

Dimensions



A

- Adjuster 13 (EN)
- Adjusting
 - memory of the settings 24 (EN)
 - the picture 25 (EN), 26 (EN)
 - the picture size/shift 27 (EN)
- Air filter 34 (EN)
- ASPECT 28 (EN)

B

- Battery
 - installation 16 (EN)
 - notes 16 (EN)
- BRIGHT 25 (EN)

C

- Carrying handle 9 (EN)
- COLOR 25 (EN)
- COLOR SYS (System) 26 (EN)
- COLOR TEMP 26 (EN)
- Connections
 - component equipment 20 (EN)
 - computer 18 (EN)
 - VCR 20 (EN)
- CONTRAST 25 (EN)
- Cut off
 - the picture 22 (EN)
 - the sound 22 (EN)

D, E

- Dimensions 40 (EN)
- D. (Dynamic) PICTURE 26 (EN)
- DOT PHASE 27 (EN)

F, G, H

- GAMMA MODE 26 (EN)
- HUE 25 (EN)

I, J, K

- INPUT A connector 14 (EN)
 - pin assignment 38 (EN)
- INPUT SETTING menu 27 (EN)
- Installation examples 17 (EN), 30 (EN)
 - notes 32 (EN)
 - unsuitable places 31 (EN)

L

- Lamp replacement 33 (EN)
- LANGUAGE 29 (EN)
- Laser pointer function 15 (EN)
- Location and function of controls
 - connector panel 14 (EN)
 - control panel 10 (EN)
 - front/left side 9 (EN)
 - rear/right side/bottom 12 (EN)
 - Remote Commander 15 (EN)

M, N

- Menu
 - clearing the menu display 24 (EN)
 - INPUT SETTING menu 27 (EN)
 - PICTURE CTRL menu 25 (EN)
 - SET SETTING menu 29 (EN)
 - using the menu 24 (EN)
- Message
 - caution 36 (EN)
 - warning 36 (EN)
- Mouse cable
 - connection 18 (EN)
 - pin assignment 39 (EN)
- Mouse connector 14 (EN)
 - pin assignment 39 (EN)

O

- Optional accessories 38 (EN)

P, Q

- PICTURE CTRL menu 25 (EN)
- Pin assignment 38 (EN), 39 (EN)
- Power
 - turn off 23 (EN)
 - turn on 21 (EN)
- POWER SAVING 10 (EN), 29 (EN)
- Precautions 6 (EN)

R

- Remote Commander
 - battery installation 16 (EN)
 - laser pointer function 15 (EN)
 - location and function of controls 15 (EN)
- Remote control detector
 - front 9 (EN)
 - rear 12 (EN)
 - setting 29 (EN)
- Reset
 - resettable items 24 (EN)
 - resetting the item 24 (EN)

S

- Screen size 17 (EN), 30 (EN)
- SET SETTING menu 29 (EN)
- SHARP 26 (EN)
- SHIFT 27 (EN)
- Signal adapter 19 (EN)
 - switch position 39 (EN)
- SIRCS RECEIVER 29 (EN)
- SIZE 27 (EN)
- SPEAKER 29 (EN)
- Specifications 37 (EN)
- STATUS (on-screen display) 29 (EN)
- Supplied accessories 38 (EN)

T, U

- Troubleshooting 35 (EN)

V, W, X, Y, Z

- Ventilation holes
 - exhaust 9 (EN), 12 (EN)
 - intake 12 (EN)

AVERTISSEMENT

Afin d'éviter tout risque d'incendie et d'électrocution, ne pas exposer l'appareil à la pluie ou à l'humidité.

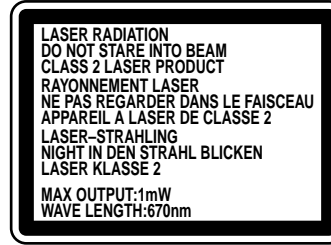
Pour éviter tout risque de décharge électrique, ne pas ouvrir le boîtier. Confiez l'entretien uniquement à un personnel qualifié.

Pour les utilisateurs au Canada

Cet appareil numérique de la classe A est conforme à la norme NMB-003 du Canada.

La prise doit être près de l'appareil et facile d'accès.

Pour les clients ayant acheté un VPL-SC50E/SC50M

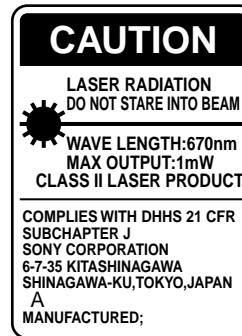


Cette étiquette est apposée au dos de la télécommande.



Cette étiquette est apposée sur le côté de la télécommande.

Pour les clients ayant acheté un VPL-SC50U



Cette étiquette est apposée au dos de la télécommande.



Cette étiquette est apposée au dos de la télécommande.

Le rayon laser est émis par cette fenêtre.

**Attention**

L'utilisation de commandes ou de réglages, ou l'exécution de procédures autres que celles spécifiées peut entraîner une exposition dangereuse à des radiations.

Remarques

- N'orientez pas le laser en direction de personnes et ne regardez pas dans l'émetteur laser.
- En cas de problème avec la télécommande, adressez-vous à un personnel Sony qualifié. Nous remplaçons la télécommande par une neuve conformément aux termes de la garantie.

Table des matières

Aperçu

Précautions	4 (F)
Caractéristiques	6 (F)
Emplacement et fonction des commandes	7 (F)
Avant/Côté gauche	7 (F)
Arrière/Côté droit/Dessous	10 (F)
Télécommande	13 (F)

Installation et projection

Installation du projecteur	15 (F)
Raccordement	16 (F)
Raccordement à un ordinateur	16 (F)
Raccordement à un magnétoscope/composant	18 (F)
Projection	19 (F)

Ajustements et réglages à l'aide du menus

Utilisation du MENU	22 (F)
Le menu CTRL IMAGE	23 (F)
Le menu REGL ENTREE	25 (F)
Le menu REGLAGE	27 (F)

Installation

Exemple d'installation	28 (F)
Installation déconseillée	29 (F)
Remarques concernant l'installation	30 (F)

Entretien

Entretien	31 (F)
Remplacement de la lampe	31 (F)
Nettoyage du filtre à air	32 (F)
Guide de dépannage	33 (F)

Divers

Spécifications	35 (F)
Index	39 (F)

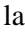
Sécurité

- Vérifiez si la tension de service de votre appareil est identique à la tension secteur locale. Si une adaptation de la tension s'avère requise, consultez votre revendeur Sony ou le personnel qualifié.
- Si des liquides ou des solides venaient à tomber dans le châssis, débranchez l'appareil et faites-le vérifier par le personnel qualifié avant de le remettre en service.
- Débranchez l'appareil de la prise murale si vous prévoyez de ne pas l'utiliser pendant plusieurs jours.
- Pour débrancher le cordon, saisissez-le par la fiche. Ne tirez jamais sur le cordon proprement dit.
- La prise d'alimentation doit se trouver à proximité du moniteur et être aisément accessible.
- L'appareil n'est pas déconnecté de la source d'alimentation (secteur) aussi longtemps qu'il reste branché sur la prise murale, même si l'appareil proprement dit a été mis hors tension.
- Ne regardez pas vers l'objectif lorsque la lampe est allumée.
- N'orientez pas le laser vers des personnes et ne regardez pas vers le transmetteur laser.
- Ne placez pas la main ou d'autres objets à proximité des orifices de ventilation — l'air expulsé est brûlant.
- Veillez à ne pas vous coincer les doigts dans le support réglable lorsque vous soulevez le projecteur. Ne poussez pas trop fort sur le dessus du projecteur lorsque le support réglable est abaissé.

Eclairage

- Pour obtenir la meilleure qualité d'image possible, l'avant de l'écran ne doit pas être directement exposé à la source d'éclairage ni au rayonnement solaire.
- Nous préconisons un éclairage au moyen de spots fixés au plafond. Placez un écran sur les lampes fluorescentes de façon à éviter une altération du niveau de contraste.
- Occultez les fenêtres qui font face à l'écran au moyen de draperies opaques.
- Il est préférable d'installer le projecteur dans une pièce où le sol et les murs ne sont pas revêtus d'un matériau réfléchissant la lumière. Si le sol et les murs réfléchissent la lumière, nous vous conseillons de remplacer le revêtement du sol et des murs par une couleur sombre.

Prévention de la surchauffe interne

Après avoir mis l'appareil hors tension au moyen de la touche I /  de la télécommande ou du panneau de commande, ne débranchez pas l'appareil de la prise secteur tant que le ventilateur de refroidissement continue à tourner.

Attention

Le projecteur est équipé d'orifices de ventilation (prise d'air) sur le côté droit et d'orifices de ventilation (sortie d'air) sur les deux côtés et à l'arrière. N'obstruez pas ces orifices et ne placez rien à proximité, car vous risqueriez de provoquer une surchauffe interne pouvant entraîner une altération de l'image ou des dommages au projecteur.

Entretien

- Pour conserver au châssis l'éclat du neuf, nettoyez-le régulièrement à l'aide d'un chiffon doux. Les taches tenaces s'éliminent en frottant avec un chiffon doux légèrement imprégné d'une solution détergente neutre. N'utilisez en aucun cas des solvants puissants tels que du diluant ou de la benzine ni de nettoyeurs abrasifs qui risqueraient d'altérer le fini du châssis.
- Ne touchez pas l'objectif. Pour éliminer la poussière de l'objectif, utilisez un chiffon doux et sec. N'utilisez pas de chiffon humide, de solution détergente ni de diluant.
- Nettoyez le filtre à air à intervalles réguliers.

Emballage

- Conservez le carton d'emballage et les matériaux de conditionnement d'origine, car ils constituent une protection idéale en vue du transport de l'appareil. Pour une protection maximale, remballer votre appareil comme il a été emballé à l'origine en usine.

Facilité d'emport

- **Poids léger, format compact**

Ce projecteur ne pèse que 3,7 kg (8 lb 3 oz) grâce à l'adoption d'un châssis moulé sous pression en alliage au magnésium. Il est également équipé d'une poignée de transport qui vous permet de l'emporter aisément avec votre ordinateur.

Luminosité élevée, haute qualité d'image

- **Luminosité élevée**

L'adoption d'un nouveau système optique et de la lampe 120 W UHP autorisent une haute luminosité (500 lumen ANSI de rendement lumineux) et une excellente uniformité de l'image.

- **Haute définition**

En utilisant trois panneaux SVGA de 480.000 pixels de 0,9 pouces, ce projecteur offre une résolution de 800 × 600 points pour l'entrée RVB et 600 lignes TV horizontales pour l'entrée vidéo.

Installation et présentation simplifiées

- **Installation simplifiée avec un appareil externe**

Ce projecteur comporte 22 types de données de présélection pour les signaux d'entrée. Vous pouvez projeter une image adéquate en raccordant simplement un appareil au moyen du câble fourni.

- **Télécommande avec fonction de commande de souris et pointeur laser**

Vous pouvez commander un ordinateur au moyen de la télécommande étant donné que l'appareil dispose d'un récepteur de souris intégré. Pour votre présentation, vous pouvez également utiliser le pointeur laser intégré dans la télécommande.

Compatible avec différents signaux d'entrée

- **Signaux d'entrée compatibles**

Ce projecteur accepte les signaux vidéo composite, S vidéo et composante ainsi que les signaux VGA¹⁾, SVGA¹⁾ et XGA^{1) 2)} qui peuvent tous être affichés.

- **Compatible avec cinq systèmes couleur**

Les systèmes couleur NTSC, PAL, SECAM, NTSC 4.43³⁾ et PAL-M peuvent être sélectionnés automatiquement ou manuellement.

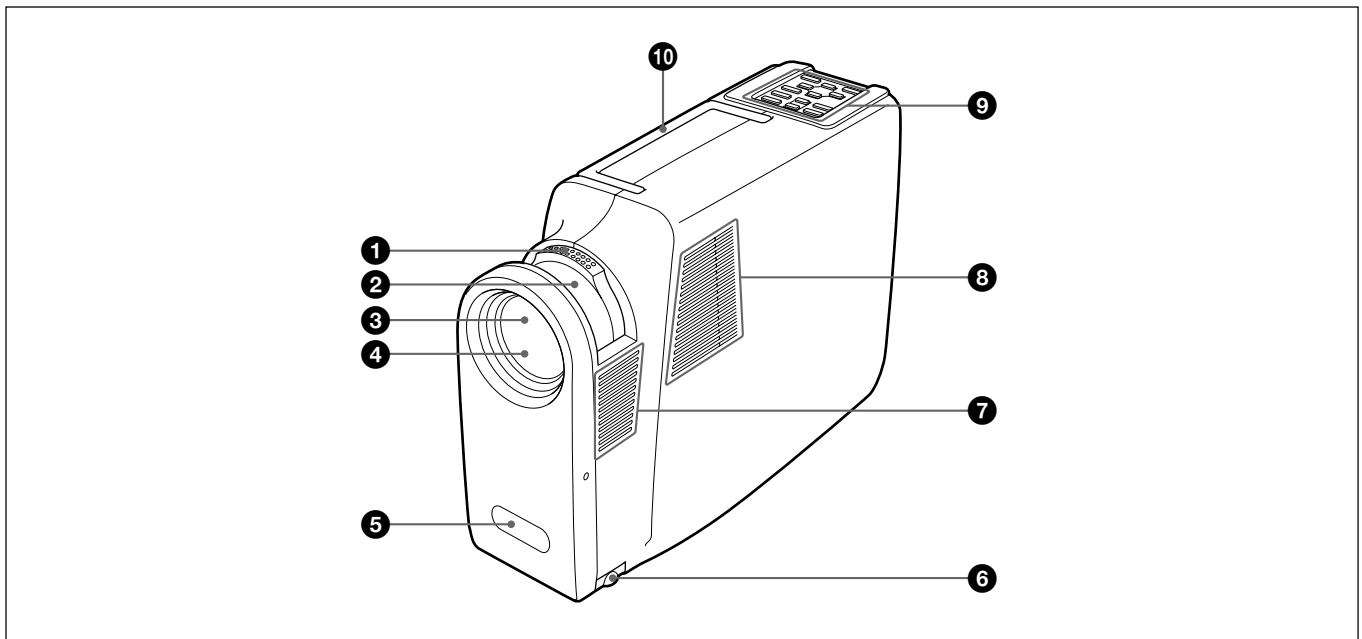
1) VGA, SVGA et XGA sont des marques commerciales déposées de International Business Machines Corporation, U.S.A.

2) Le signal XGA comprimé est reproduit.

3) NTSC4.43 est le système couleur utilisé pour la reproduction d'enregistrements vidéo réalisés sur un magnétoscope NTSC ou NTSC 4,43.

Emplacement et fonction des commandes

Avant/Côté gauche



❶ Bague de zoom

Ajuste la taille de l'image.

❷ Bague de mise au point

Ajuste la mise au point de l'image.

❸ Objectif

Ouvrez le volet de l'objectif avant toute utilisation.

❹ Volet de l'objectif

❺ Capteur de télécommande frontal

❻ Support réglable

Ajustez la hauteur du support de façon à mettre le projecteur de niveau lorsqu'il est installé sur une surface inégale.

Pour plus de détails sur l'utilisation du support réglable, voir "Utilisation du support réglable" à la page 11 (F).

❼ Orifices de ventilation (sortie)

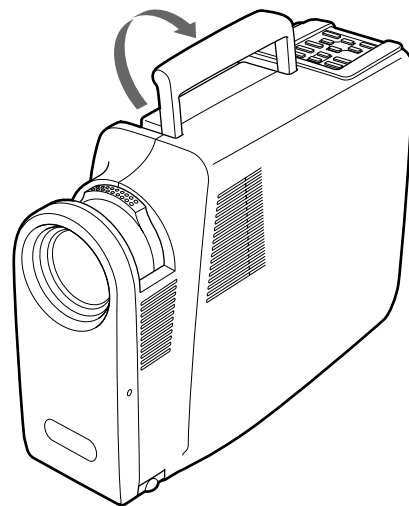
❽ Haut-parleur gauche

❾ Panneau de commande

Pour plus de détails, voir "Panneau de commande" à la page 8 (F).

❿ Poignée de transport

Déployez la poignée du projecteur en vue de son transport.

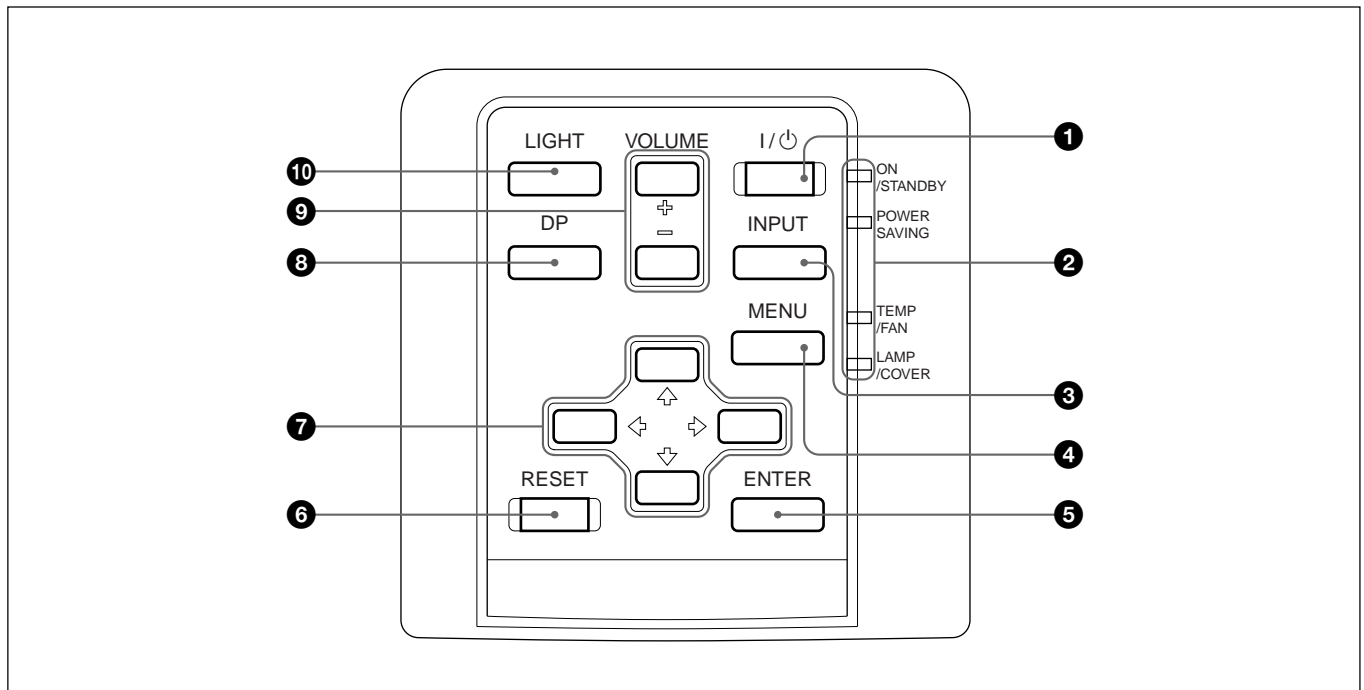


Remarques

- Ne placez rien à proximité des orifices de ventilation sous peine de provoquer une surchauffe intérieure.
- Ne placez pas les mains ou des objets à proximité des orifices de ventilation — l'air expulsé est brûlant.

Emplacement et fonction des commandes

Panneau de commande



❶ Touche I / ⏻ (marche / veille)

Met le projecteur sous/hors tension lorsque le projecteur est en mode de veille. L'indicateur ON s'allume en vert lorsque l'appareil est sous tension.

Lorsque vous mettez l'appareil hors tension, appuyez deux fois sur la touche I / ⏻ en fonction du message affiché à l'écran ou appuyez sur la touche et maintenez-la enfoncée pendant une seconde.

Pour plus de détails sur la procédure de mise hors tension, voir "Pour mettre le projecteur hors tension" à la page 21 (F).

❷ Indicateurs

ON/STANDBY: S'allume ou clignote dans les conditions suivantes :

- S'allume en rouge lorsque le cordon d'alimentation secteur est branché sur la prise murale. Lorsque le projecteur se trouve en mode de veille, vous pouvez le mettre sous tension à l'aide de la touche I / ⏻ de la télécommande ou du panneau de commande.
- S'allume en vert lorsque le projecteur est sous tension.
- Clignote en vert tant que le ventilateur de refroidissement tourne après la mise hors tension du projecteur à l'aide de la touche I / ⏻. Le ventilateur tourne pendant environ 90 secondes après la mise hors tension. L'indicateur ON/STANDBY clignote rapidement pendant les 30 premières secondes. Pendant cette durée, vous ne pouvez pas remettre le projecteur sous tension à l'aide de la touche I / ⏻.

POWER SAVING: S'allume lorsque le projecteur est en mode d'économie d'énergie. Lorsque MODE ECO dans le menu REGLAGE est réglé sur ON, le projecteur passe en mode d'économie d'énergie si aucun signal n'est entré pendant 10 minutes. Bien que le témoin s'éteigne, le ventilateur de refroidissement continue de tourner. En mode d'économie d'énergie, aucune des touches ne fonctionne pendant les 30 premières secondes. Le mode d'économie d'énergie est désactivé dès qu'un signal est entré ou qu'une touche est actionnée.

TEMP (température)/FAN: S'allume ou clignote dans les conditions suivantes :

- S'allume lorsque la température intérieure du projecteur devient anormalement élevée.
- Clignote lorsque le ventilateur est défectueux.

LAMP/COVER: S'allume ou clignote dans les conditions suivantes :

- S'allume lorsque le témoin a atteint la fin de sa durée de vie utile ou une température élevée.
- Clignote lorsque le couvercle de la lampe ou le couvercle du filtre à air n'est pas correctement fixé.

Pour plus de détails sur les indicateurs LAMP/COVER et TEMP/FAN, voir page 34 (F).

③ Touche INPUT

Sélectionne le signal d'entrée. Chaque fois que vous appuyez sur cette touche, le signal d'entrée permute entre le signal audio/vidéo et le signal transmis via le connecteur INPUT-A.

④ Touche MENU

Affiche l'écran de menu. Appuyez à nouveau sur cette touche pour désactiver le menu.

⑤ Touche ENTER

Confirme la saisie des réglages de paramètres dans le menu système.

⑥ Touche RESET

Restaure la valeur de réglage par défaut d'un paramètre. Cette touche est opérante lorsque le menu ou un paramètre de réglage est affiché à l'écran.

⑦ Touches fléchées (↑/↓/←/→)

Servent à sélectionner le menu ou à procéder à différents réglages.

⑧ Touche DP (phase des points)

Ajuste la phase des points lorsqu'un signal est entré depuis l'ordinateur.

⑨ Touches VOLUME +/-

Règlent le volume des haut-parleurs intégrés et le niveau de sortie de la prise AUDIO OUT.

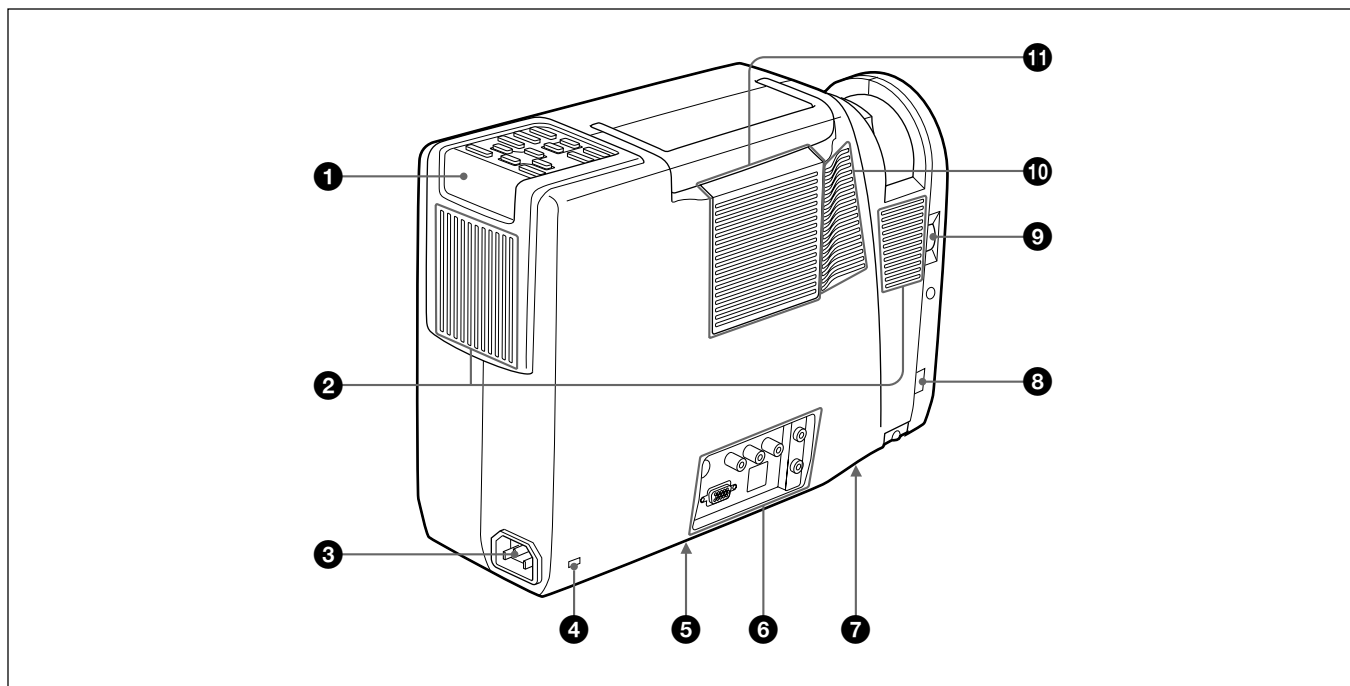
+ : Augmente le volume.

- : Diminue le volume.

⑩ Touche LIGHT

Allume le rétro-éclairage (orange) des touches du panneau de commande lorsque le projecteur est sous tension. Appuyez à nouveau sur cette touche pour désactiver le rétro-éclairage.

Arrière/Côté droit/Dessous



1 Capteur de télécommande arrière

2 Orifices de ventilation (sortie)

3 Prise AC IN

Branchez-y le cordon d'alimentation secteur fourni.

4 Serrure de sécurité

Branchez-y un câble de sécurité en option (Kensington).

La serrure Kensington est conforme au système de sécurité Microsaver Kensington.

Si vous avez des commentaires, contactez
Kensington
2853 Campus Drive, San Mateo, CA 94403
U.S.A.
Tel: 800-535-4242: extension 3348
Adresse page d'accueil:
<http://www.kensington.com/>

5 Commutateur à terminaison à 75 ohms (dessous)

En principe, réglez-le sur ON. Réglez-le sur OFF lorsque le projecteur est raccordé à un ordinateur ou à un moniteur.

6 Panneau des connecteurs

Pour plus de détails, voir page 12 (F).

7 Couvercle de la lampe (dessous)

8 Bouton du support réglable

9 Bague de l'obturateur de l'objectif

Tournez la bague vers le haut pour ouvrir l'obturateur de l'objectif.

10 Haut-parleur droit

11 Orifices de ventilation (prise)/couvercle du filtre à air

Remarques

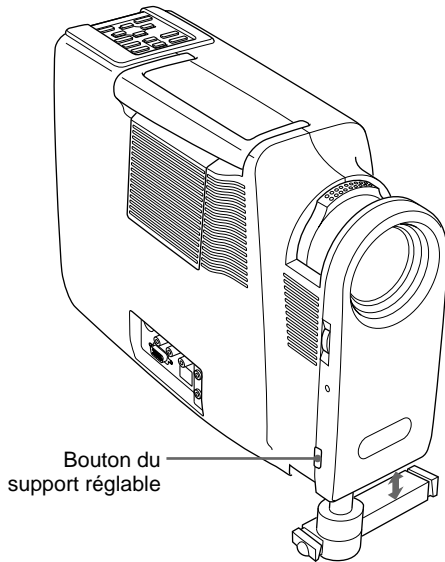
- Ne placez rien à proximité des orifices de ventilation sous peine de provoquer une surchauffe intérieure.
- Ne placez pas les mains ou des objets à proximité des orifices de ventilation — l'air expulsé est brûlant.

Utilisation du support réglable

Pour régler la hauteur

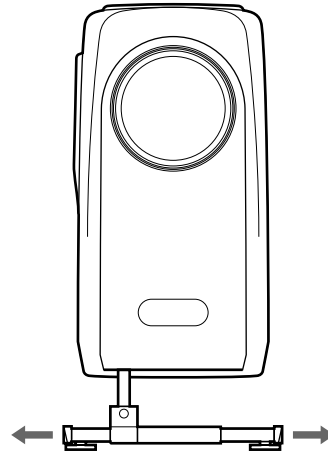
Tout en soulevant le projecteur, ajustez la hauteur du support de façon à ce que le projecteur soit de niveau.

Appuyez sur le bouton du support réglable tout en soulevant le projecteur de façon à ajuster la hauteur.



Pour supporter correctement le projecteur

Les bras du support réglable peuvent être déployés de façon à soutenir correctement le projecteur.

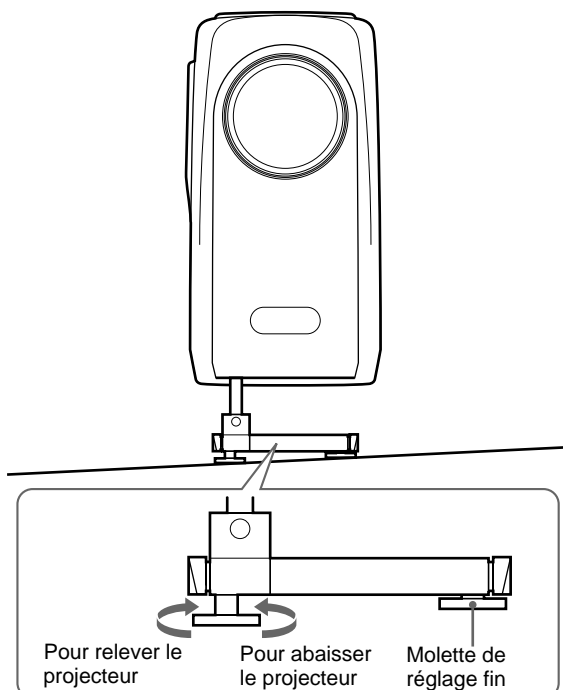


Remarques

- Veillez à ne pas laisser tomber le projecteur sur vos doigts.
- N'appuyez pas trop fort sur le dessus du projecteur lorsque le support réglable est abaissé.
- Si les bras du support réglable ne sont pas déployés vers la gauche et vers la droite, le projecteur risque de basculer.

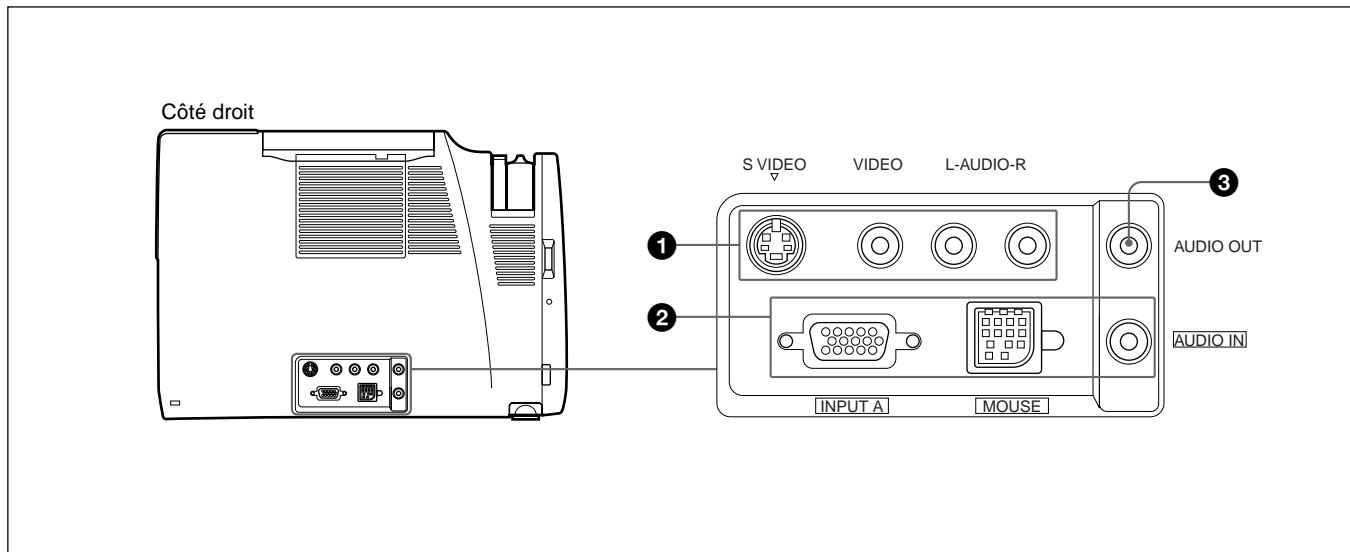
Le support réglable du projecteur est doté de deux molettes de réglage fin.

Tournez les molettes de réglage fin du support pour ajuster précisément la hauteur du projecteur.



Emplacement et fonction des commandes

Panneau des connecteurs



❶ Connecteurs d'entrée audio/vidéo

Raccordez-les à un appareil vidéo externe comme un magnétoscope.

S VIDEO (miniconnecteur DIN à 4 broches):

Raccordez-le à la sortie S vidéo (sortie vidéo Y/C) d'un appareil vidéo.

VIDEO (type phono): Raccordez-le à la sortie vidéo composite d'un appareil vidéo.

Remarque

Si vous raccordez un appareil vidéo simultanément aux prises S VIDEO et VIDEO, c'est le signal transmis via la prise S VIDEO qui est sélectionné. Lorsque vous projetez l'image transmise via la prise VIDEO, veillez à ne pas raccorder un câble à la prise S VIDEO.

Prises d'entrée AUDIO L (MONO)/R (type phono): Raccordez-les à la sortie audio de l'appareil connecté. Dans le cas d'un appareil stéréo, utilisez à la fois la prise L et la prise R; dans le cas d'un appareil monaural, utilisez uniquement la prise L (MONO).

❷ Connecteur INPUT-A

Raccordez-le à un appareil externe comme un ordinateur. Vous pouvez commander le signal de souris à l'aide de la télécommande.

INPUT A (HD D-sub à 15 broches, femelle):

Raccordez-le à la sortie moniteur d'un ordinateur à l'aide du câble fourni. Pour entrer un signal composante, utilisez le câble en option.

MOUSE (13 broches): Raccordez-le au port de souris d'un ordinateur pour commander la fonction de souris à l'aide du câble de souris fourni.

AUDIO IN (miniprise stéréo): Raccordez-la à la sortie audio d'un ordinateur pour entrer le signal audio.

❸ Prise AUDIO OUT (miniprise stéréo)

Raccordez-la à des haut-parleurs actifs externes. Le volume des haut-parleurs peut être commandé à l'aide des touches VOLUME de la télécommande ou du panneau de commande.

Télécommande

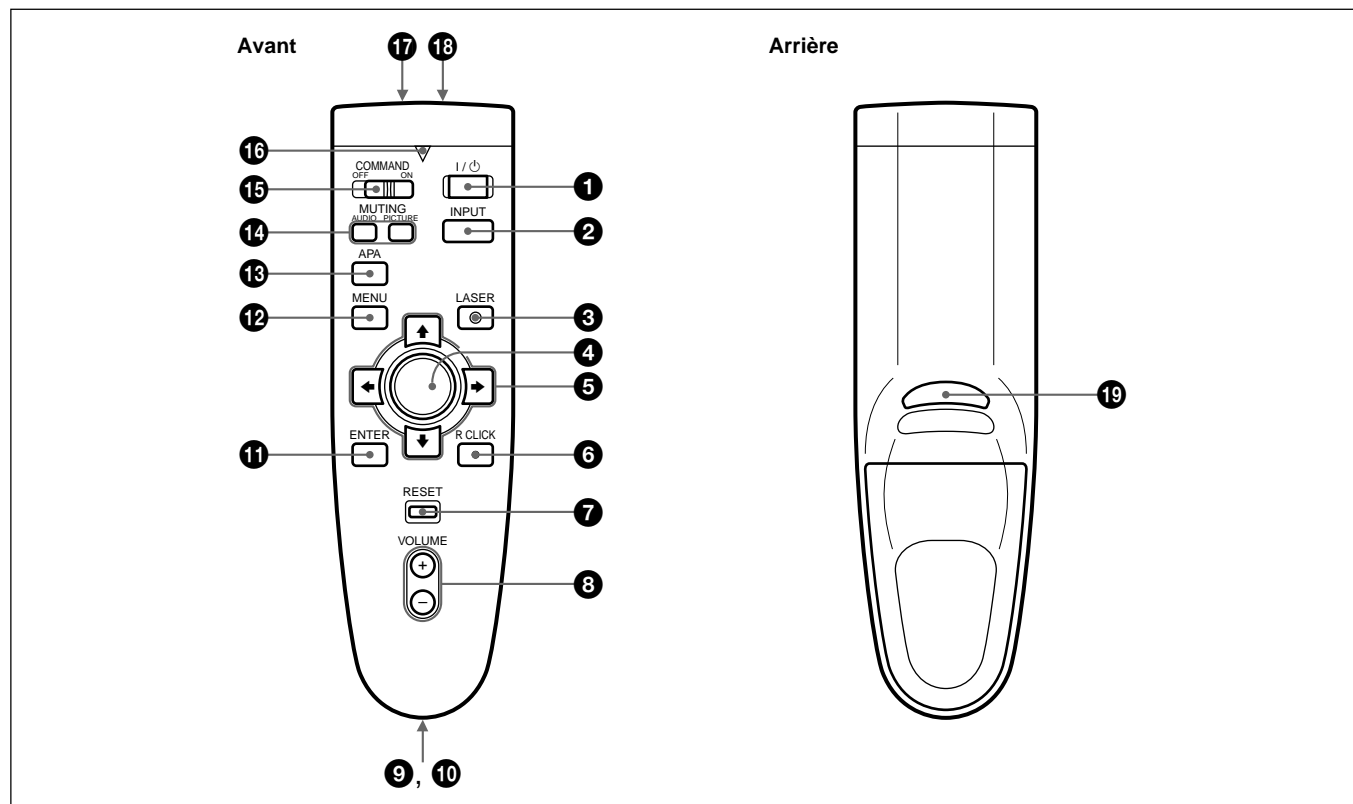
Les touches portant le même nom que sur le panneau de commande remplissent la même fonction.

Vous pouvez commander un ordinateur connecté au moyen de la télécommande.

Pour plus de détails, voir "Raccordement à un ordinateur" à la page 16 (F).

Remarques sur le faisceau laser

- Ne regardez pas vers le transmetteur laser.
- Ne dirigez pas le faisceau laser vers des personnes.



❶ Touche I / ⏻

❷ Touche INPUT

❸ Touche LASER

Une pression sur cette touche commande l'émission du faisceau laser par le transmetteur laser.

❹ Manette de commande

Fonctionne comme la souris d'un ordinateur raccordé à l'appareil.

❺ Touches fléchées (↑/↓/←/→)

❻ Touche R CLICK

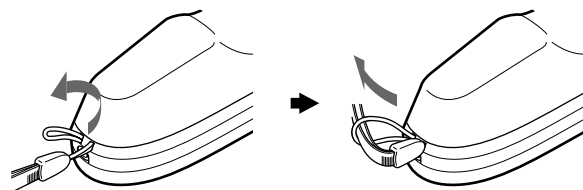
Fonctionne comme le bouton droit d'une souris. Si vous avez raccordé un ordinateur Macintosh¹⁾, la touche R CLICK fonctionne comme le bouton d'une souris.

❼ Touche RESET

❽ Touches VOLUME +/-

❾ Bandoulière

Se fixe à la bandoulière.



(suite page suivante)

1) Macintosh est une marque de commerce déposée de Apple Computer, Inc.

Emplacement et fonction des commandes

10 Prise CONTROL S OUT (miniprise stéréo)

Cette prise est inopérante avec cet appareil.

Remarque

La télécommande est inopérante si le câble est branché sur cette prise.

11 Touche ENTER

12 Touche MENU

13 Touche APA (alignement automatique des pixels)

Cette touche est inopérante avec cet appareil.

14 Touches MUTING

Coupe le son et l'image.

PICTURE: Coupe l'image. Appuyez à nouveau sur cette touche pour restaurer l'image.

AUDIO: Coupe le son des haut-parleurs et de la prise AUDIO OUT. Appuyez à nouveau sur cette touche ou sur la touche VOLUME + pour restaurer le son.

15 Commutateur COMMAND ON/OFF

Lorsque ce commutateur est réglé sur OFF, aucune touche de la télécommande ne fonctionne. Cela permet d'économiser les piles.

16 Indicateur de transmission

S'allume lorsque vous appuyez sur une touche de la télécommande.

Cet indicateur ne s'allume pas lorsque vous utilisez le pointeur laser.

17 Transmetteur infrarouge

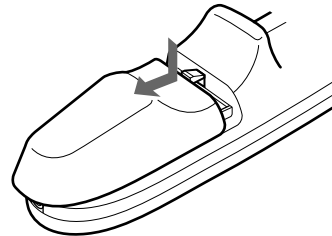
18 Transmetteur laser

19 Touche L CLICK

Fonctionne comme le bouton gauche d'une souris. Si vous avez raccordé un ordinateur Macintosh, la touche L CLICK fonctionne comme le bouton d'une souris.

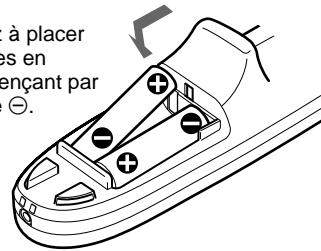
Installation des piles

- 1 Appuyez sur le couvercle et faites-le glisser pour l'ouvrir.



- 2 Installez les deux piles AA (R6) (fournies) en respectant la polarité.

Veillez à placer les piles en commençant par le côté ⊖.



- 3 Refermez le couvercle.

Remarques sur les piles

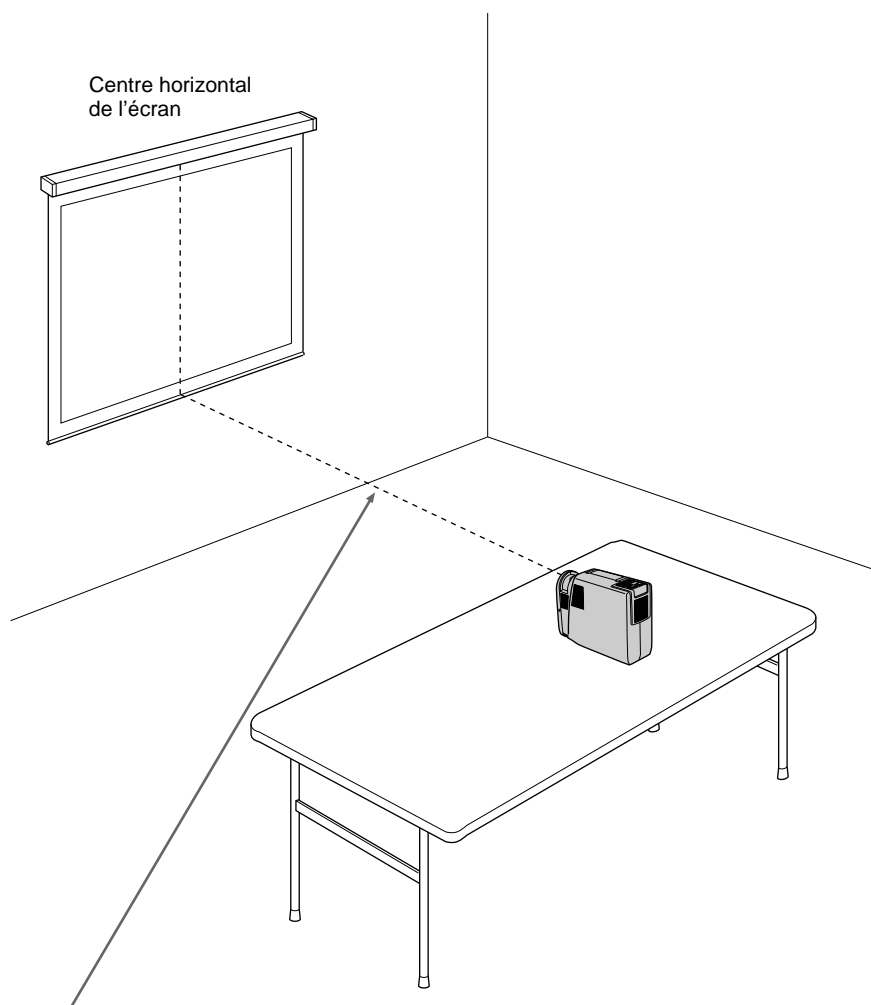
- Veillez à orienter les piles dans le bon sens lorsque vous les installez dans la télécommande.
- N'utilisez pas en même temps des piles neuves et des piles usagées, ni des piles de types différents.
- Si vous prévoyez de ne pas utiliser la télécommande pendant une période prolongée, retirez-en les piles de façon à éviter tout dommage causé par une fuite des piles. Si une pile a fuit, retirez les piles, nettoyez le compartiment à piles et remplacez les piles.

Remarques sur l'utilisation de la télécommande

- Veillez à ce qu'aucun obstacle entre la télécommande et le projecteur n'entrave le faisceau infrarouge entre la télécommande et le capteur de télécommande du projecteur.
- La portée de commande est limitée. Plus la distance entre la télécommande et le projecteur est courte, plus le champ dans lequel la télécommande peut commander le projecteur est large.

Installation du projecteur

Cette section décrit les configurations d'installation du projecteur.



La distance entre l'objectif et l'écran varie suivant la taille de l'écran. Utilisez le tableau suivant comme guide de référence.

Unité: m (pied)

Taille d'écran (pouces)		40	60	80	100	120	150
Distance	Minimum	1,4 (4,6)	2,2 (7,1)	2,9 (9,5)	3,6 (11,9)	4,4 (14,4)	5,5 (18,1)
	Maximum	1,6 (5,4)	2,5 (8,1)	3,3 (10,9)	4,2 (13,7)	5,0 (16,5)	6,3 (20,6)

Pour des informations plus détaillées sur les distances d'installation, voir page 28 (F).

- Si un signal VGA est entré, le format de l'image est réduit de 20%.
- Si un signal de mode 16 pouces Macintosh (832 × 624) est entré, l'image extérieure (32 points (horizontal.) /24 lignes (vertical.)) n'est pas affichée.
- Si un signal XGA est entré, la résolution est comprimée au format 797 × 598.

Raccordement à un ordinateur

Cette section vous explique comment raccorder le projecteur à un ordinateur.

Pour plus de détails sur le raccordement à un magnétoscope ou à un composant, voir page 18 (F).

Lorsque le projecteur est raccordé à un ordinateur, vous pouvez commander la souris d'un ordinateur à l'aide de la télécommande. Les touches R/L CLICK et la manette de commande fonctionnent comme suit.

Remarque

Veillez à ce qu'aucun obstacle n'entrave le rayon infrarouge entre la télécommande et le capteur de télécommande du projecteur.

Touche et manette de commande	Fonction	
	IBM PC/AT ^{a)} compatible, série	Macintosh
R CLICK (avant)	Bouton droit	Bouton de souris
L CLICK (arrière)	Bouton gauche	Bouton de souris
Manette de commande	Correspond aux mouvements de la souris	

a) IBM PC/AT est une marque de commerce déposée de International Business Machines Corporation, U.S.A.

Reportez-vous également au mode d'emploi de l'appareil à raccorder.

Remarques

- Cet appareil accepte les signaux VGA, SVGA et XGA. Nous vous conseillons cependant de régler le mode de sortie de votre ordinateur sur le mode SVGA pour le moniteur externe.
- Si vous réglez votre ordinateur, tel qu'un portable compatible IBM PC/AT, pour sortir le signal à la fois vers l'écran de votre ordinateur et le moniteur externe, il se peut que l'image n'apparaisse pas correctement sur le moniteur externe. En pareil cas, réglez le mode de sortie de votre ordinateur pour sortir le signal vers le moniteur externe uniquement.
Pour plus de détails, reportez-vous au mode d'emploi fourni avec votre ordinateur.

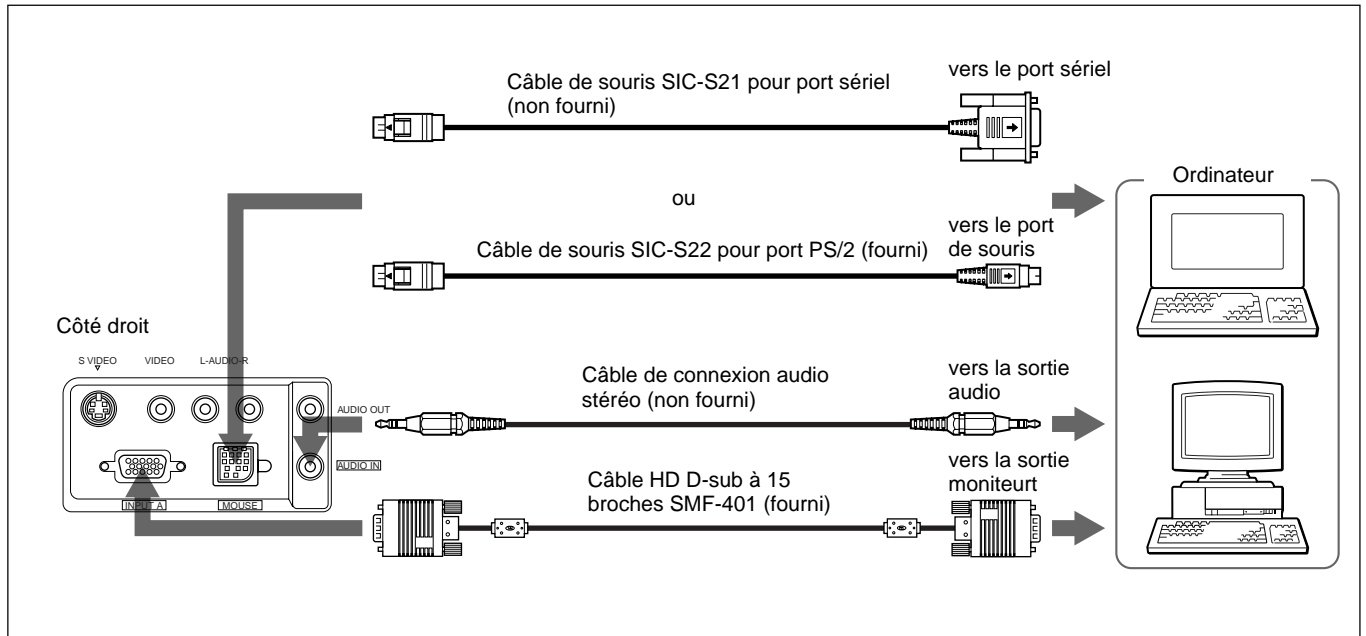
Lors de l'établissement des connexions :

- mettez tous les appareils hors tension avant tout raccordement.
- utilisez les câbles appropriés pour chaque raccordement.
- branchez correctement les fiches des câbles; des fiches incomplètement enfichées génèrent souvent des parasites. Pour débrancher un câble, saisissez-le par la fiche, ne tirez pas sur le câble proprement dit.

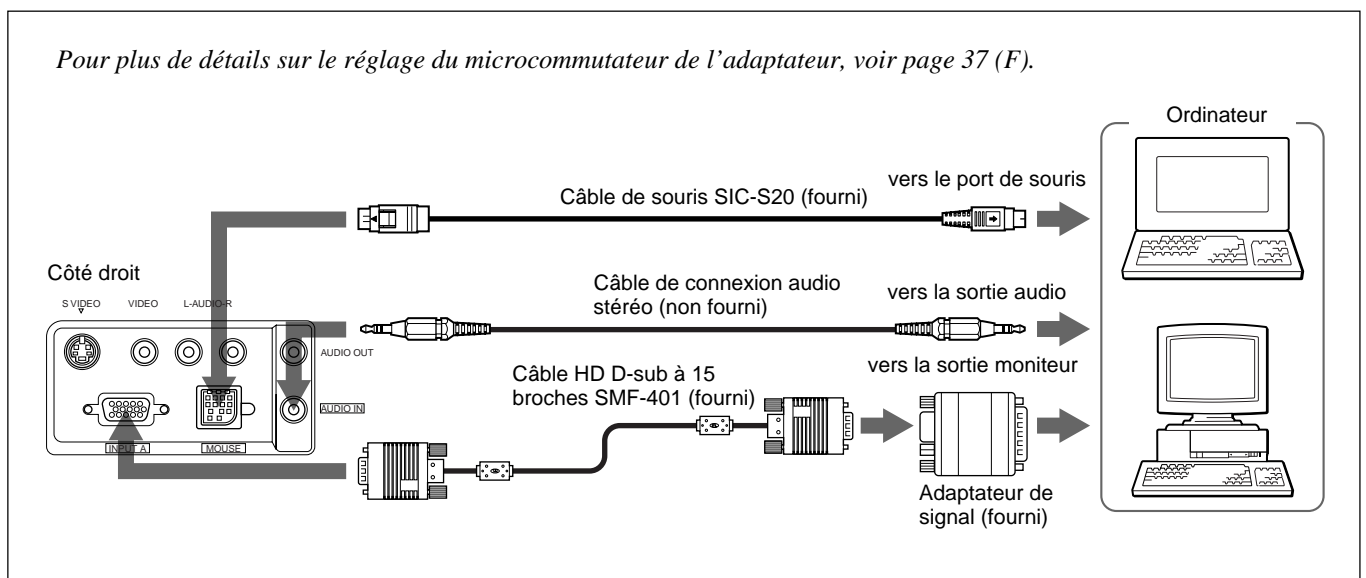
Remarque

Le câble de souris fourni peut ne pas fonctionner correctement en fonction de votre ordinateur.

Raccordement à un ordinateur compatible IBM PC/AT



Raccordement à un ordinateur Macintosh

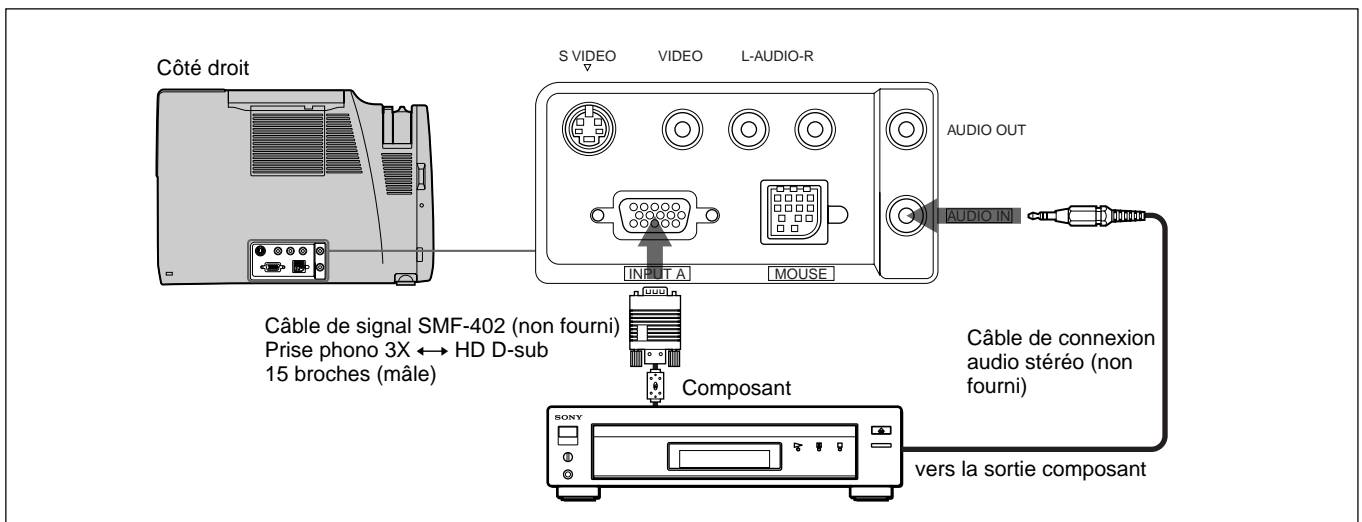
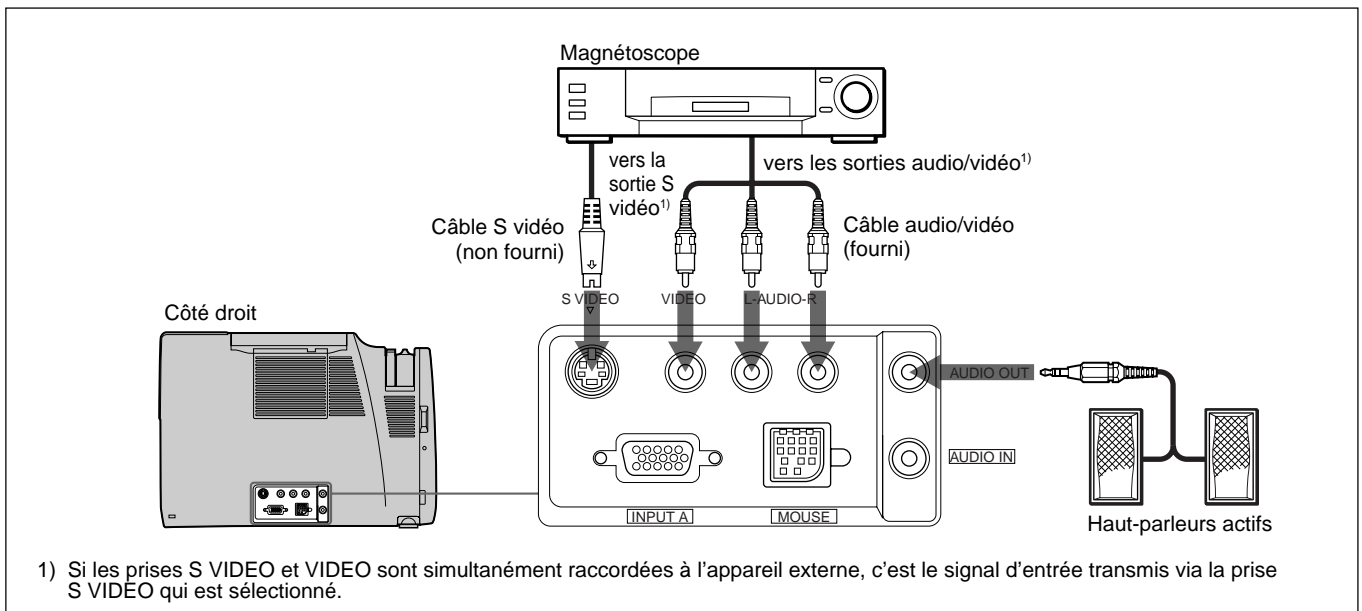


Raccordement à un magnétoscope/composant

Cette section décrit comment raccorder le projecteur à un magnétoscope, des haut-parleurs actifs externes et à d'autres appareils.
Pour plus de détails sur le raccordement d'un ordinateur, voir page 16 (F).
Reportez-vous également au mode d'emploi de l'appareil à raccorder.

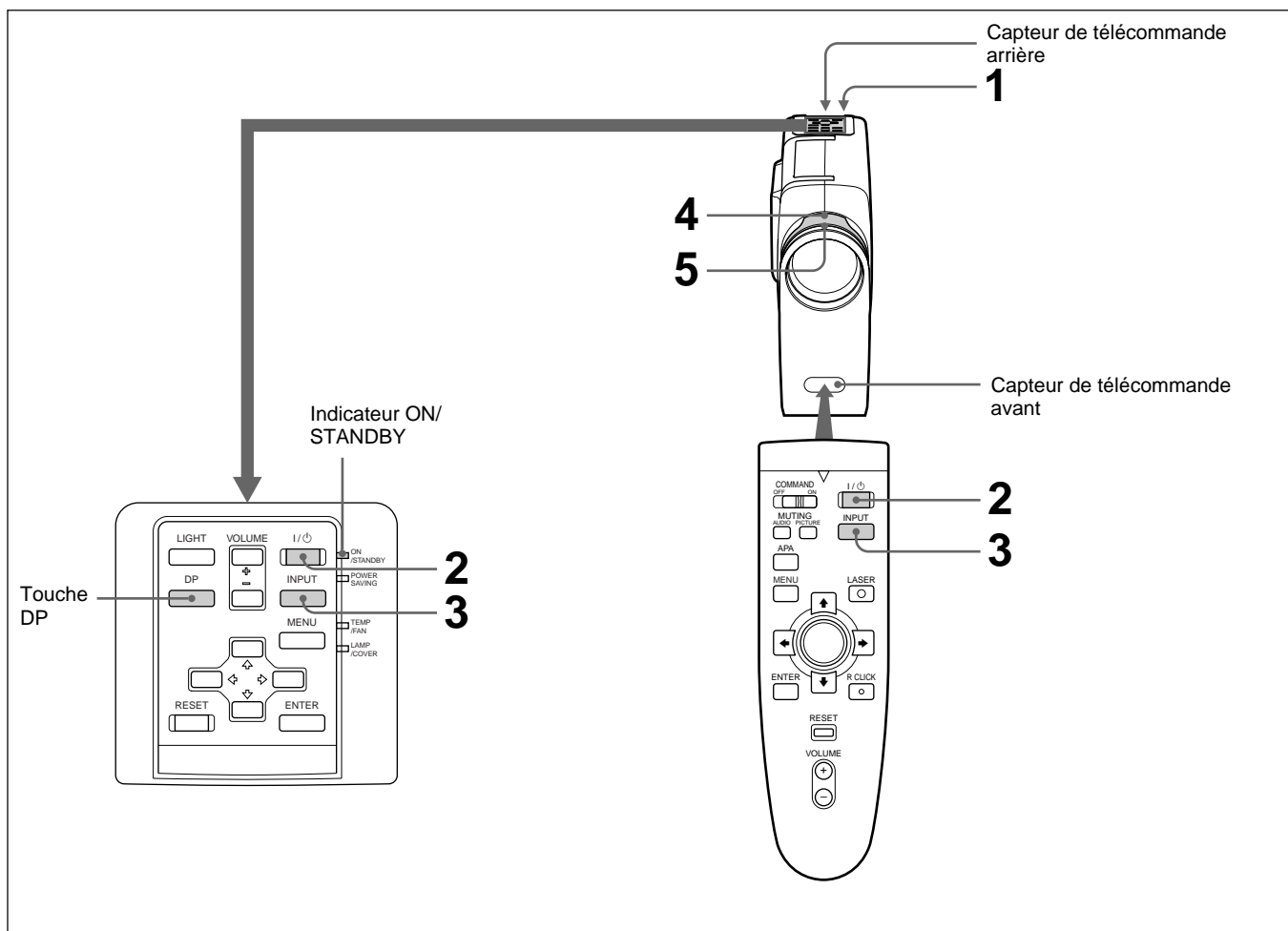
Lors de l'établissement des connexions :

- mettez tous les appareils hors tension avant tout raccordement.
- utilisez les câbles appropriés pour chaque raccordement.
- branchez correctement les fiches des câbles; des fiches incomplètement enfichées génèrent souvent des parasites. Pour débrancher un câble, saisissez-le par la fiche, ne tirez pas sur le câble proprement dit.



Remarque

Réglez le format d'image à l'aide du paramètre FORMAT du menu REGL ENTREE en fonction du signal d'entrée.



- 1** Lorsque tous les appareils ont été correctement raccordés, branchez le cordon d'alimentation sur une prise murale (secteur).

L'indicateur ON/STANDBY s'allume en rouge et le projecteur passe en mode de veille.

- 2** Appuyez sur la touche I / $\text{\textcircled{P}}$ de la télécommande ou du panneau de commande.

L'indicateur ON/STANDBY s'allume en vert.

- 3** Mettez sous tension l'appareil raccordé au projecteur. Appuyez sur la touche INPUT de la télécommande ou du panneau de commande pour sélectionner la source d'entrée.

ENT. A: Sélectionne les signaux audio et vidéo entrés via le connecteur INPUT-A.

VIDEO: Sélectionne les signaux audio et vidéo entrés via le connecteur d'entrée audio/vidéo.

(Si vous raccordez simultanément les prises S VIDEO et VIDEO, c'est le signal transmis via la prise S VIDEO qui est sélectionné.)

(suite page suivante)

- 4 Tournez la bague de zoom pour ajuster la taille de l'image.
- 5 Tournez la bague de mise au point pour régler la netteté de l'image.

Remarque

Ne regardez pas vers l'objectif lorsque la lampe du projecteur est allumée.

Pour	Appuyez sur
Régler le volume	les touches VOLUME +/- du panneau de commande ou de la télécommande.
Couper le son	la touche AUDIO MUTING de la télécommande. Pour restaurer le son, appuyez à nouveau sur la touche AUDIO MUTING ou appuyez sur la touche VOLUME +.
Couper l'image	la touche PICTURE MUTING de la télécommande. Pour restaurer l'image, appuyez à nouveau sur la touche PICTURE MUTING.

Pour obtenir l'image la plus claire

Vous pouvez ajuster la phase des points lorsqu'un signal est entré depuis l'ordinateur.

Pour plus de détails sur PHASE, voir page 25 (F).

- 1 Appuyez sur la touche DP du panneau de commande.
- 2 Appuyez sur la touche ◀/▶ de la télécommande ou du panneau de commande pour ajuster la phase des points.

Réglez l'image jusqu'à ce qu'elle soit la plus claire possible.

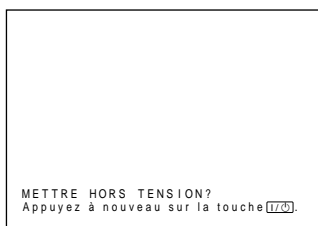
Vous pouvez également régler la phase des points via le menu.

Pour plus de détails, voir "Le menu REGL ENTREE" à la page 25 (F).

Pour mettre le projecteur hors tension

- 1 Appuyez sur la touche I / ⏻ de la télécommande ou du panneau de commande.

Le message suivant apparaît pour vous demander la confirmation de la mise hors tension.



Remarque

Le message disparaît si vous appuyez sur une touche quelconque autre que la touche I / ⏻ ou si vous n'appuyez sur aucune touche pendant cinq secondes.

- 2 Appuyez à nouveau sur la touche I / ⏻ de la télécommande ou du panneau de commande.

L'indicateur ON/STANDBY clignote en vert et le ventilateur continue de tourner pendant environ 90 secondes pour réduire la chaleur interne. L'indicateur ON/STANDBY clignote rapidement durant les 30 premières secondes. Pendant ce temps, il ne vous est pas possible de remettre le projecteur sous tension à l'aide de la touche I / ⏻.

- 3 Débranchez le cordon d'alimentation de la prise murale après que le ventilateur s'est arrêté de tourner et l'indicateur ON/STANDBY s'allume en rouge.

Si vous ne pouvez pas confirmer le message à l'écran

Si vous ne pouvez pas confirmer le message affiché à l'écran dans des conditions données, vous pouvez mettre le projecteur hors tension en maintenant la touche I / ⏻ de la télécommande ou du panneau de commande enfoncée pendant environ une seconde.

Remarque

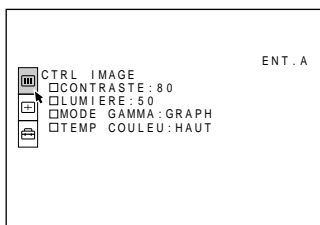
Ne débranchez pas le cordon d'alimentation pendant que le ventilateur tourne, faute de quoi le ventilateur cessera de tourner même si la température à l'intérieur du projecteur est toujours élevée, ce qui peut entraîner une panne du projecteur.

Utilisation du MENU

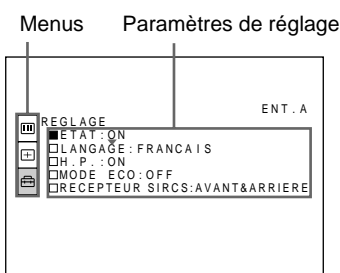
Ce projecteur est équipé d'un menu sur écran permettant d'effectuer divers réglages.

Pour sélectionner la langue d'affichage du menu, voir page 27 (F).

- 1 Appuyez sur la touche MENU.
L'écran de menu apparaît.
Le menu actuellement sélectionné est mis en évidence en bleu.



- 2 Utilisez la touche \uparrow ou \downarrow pour sélectionner un menu et appuyez ensuite sur la touche \rightarrow ou ENTER.
Le menu sélectionné apparaît.



- 3 Procédez au réglage ou à l'ajustement d'un paramètre.
Pour plus de détails sur le réglage des différents paramètres, reportez-vous aux pages de menu correspondantes.

Pour désactiver l'écran de menu

Appuyez sur la touche MENU.
L'écran de menu disparaît automatiquement si vous n'appuyez sur aucune touche pendant une minute.

Pour restaurer des paramètres modifiés

Appuyez sur la touche RESET.
Le message "Effectué!" (terminé) apparaît sur l'écran et les réglages affichés sont restaurés à leur valeur par défaut.

Les paramètres pouvant être réinitialisés sont :

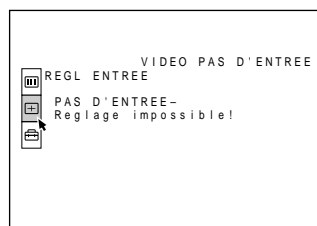
- "CONTRASTE", "LUMIERE", "COULEUR", "TEINTE" et "NETTETE" dans le menu CTRL IMAGE
- "PHASE", "AMPL" et "DEPL" dans le menu REGL ENTREE.

A propos de la mémoire des réglages

Les réglages sont automatiquement enregistrés dans la mémoire du projecteur.

En cas d'absence de signal d'entrée

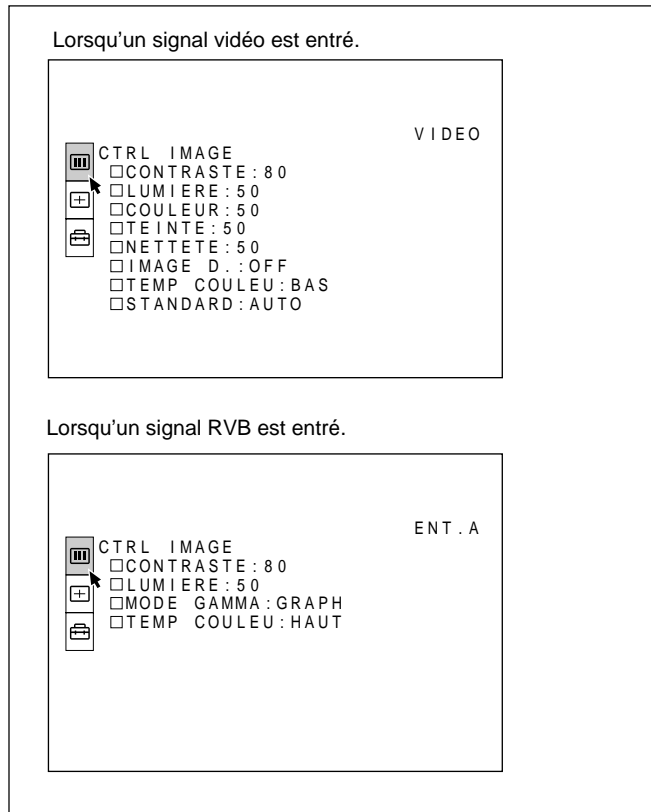
Lorsqu'il n'y a pas de signal d'entrée, l'écran devient bleu et le message "PAS D'ENTREE-Réglage impossible!" apparaît à l'écran et aucun paramètre ne peut être ajusté.



Le menu CTRL IMAGE

Le menu CTRL (contrôle) IMAGE sert à régler l'image.

Les paramètres non réglables suivant le signal d'entrée ne sont pas affichés dans le menu.



Procédure

1. Sélectionnez un paramètre

Utilisez la touche **↑** ou **↓** pour sélectionner le paramètre et appuyez ensuite sur la touche **→** ou **ENTER**.

2. Réglez le paramètre

- Pour changer le niveau de réglage:
 - Pour augmenter la valeur, appuyez sur la touche **↑** ou **→**.
 - Pour diminuer la valeur, appuyez sur la touche **↓** ou **←**.
 - Appuyez sur la touche **ENTER** pour revenir à l'écran de départ.
- Pour modifier le réglage:
 - Appuyez sur la touche **↑** ou **↓** pour changer la valeur de réglage.
 - Appuyez sur la touche **ENTER** ou **←** pour revenir à l'écran de départ.

CONTRASTE

Réglage du contraste de l'image.



Plus la valeur de réglage est élevée, plus le contraste est important.

Plus la valeur de réglage est faible, moins le contraste est important.

LUMIERE

Réglage de la luminosité de l'image.



Plus la valeur de réglage est élevée, plus l'image est lumineuse.

Plus la valeur de réglage est faible, plus l'image est sombre.

COULEUR

Réglage de l'intensité des couleurs.

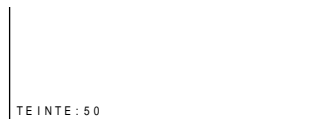


Plus la valeur de réglage est élevée, plus les couleurs sont intenses.

Plus la valeur de réglage est faible, moins les couleurs sont intenses.

TEINTE

Réglage de la teinte des visages.



Plus la valeur de réglage est élevée, plus les visages deviennent verdâtres.

Plus la valeur de réglage est faible, plus les visages deviennent rougeâtres.

(suite page suivante)

Le menu CTRL IMAGE

NETTETE

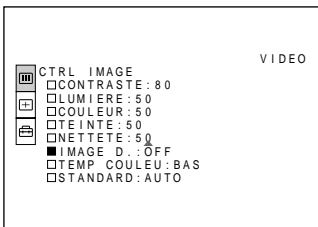
Réglage de la netteté de l'image.



Plus la valeur de réglage est élevée, plus les contours de l'image sont nets.
Plus la valeur de réglage est faible, moins les contours de l'image sont nets.

IMAGE D. (dynamique)

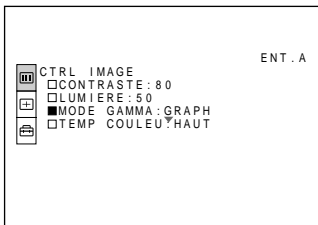
Renforcement du noir.



ON: Renforce le noir pour produire une image plus "dynamique".
OFF: Restitue fidèlement les zones noires de l'image conformément au signal source.

MODE GAMMA

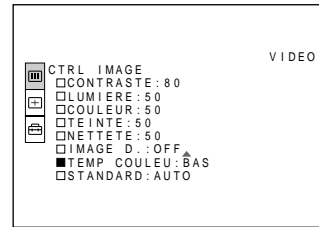
Sélectionne une courbe de correction gamma.



GRAPH: Améliore la reproduction des demi-teintes. Les photos peuvent être reproduites avec des teintes naturelles.
TEXTE: Souligne le contraste entre le noir et le blanc. Convient aux images comportant beaucoup de texte.

TEMP COULEU

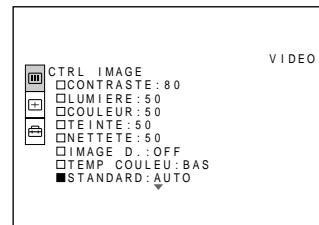
Réglage de la température des couleurs.



HAUT: Rend les blancs plus bleuâtres.
BAS: Rend les blancs plus rougeâtres.

STANDARD (système couleur)

Sélectionne le système couleur du signal d'entrée.



En principe, réglez-le sur AUTO.
Si l'image présente des distorsions ou n'a pas de couleurs, sélectionnez le système couleur en fonction du signal d'entrée.

Signaux d'entrée et paramètres de réglage

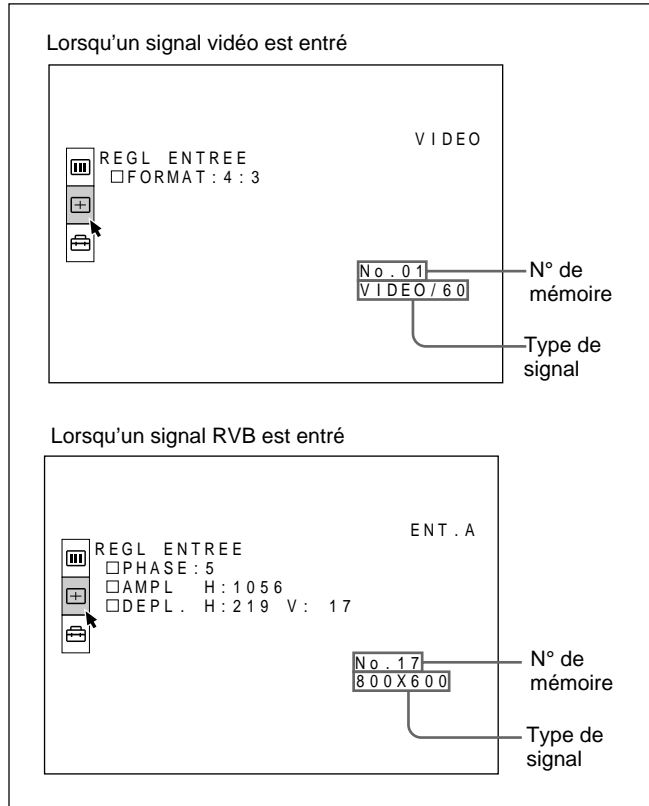
Paramètre	Signal d'entrée			
	Vidéo ou S vidéo (Y/C)	Composant	RVB	N&B
CONTRASTE	●	●	●	●
LUMIERE	●	●	●	●
COULEUR	●	●	-	-
TEINTE	● (NTSC3.58/ 4.43 uniquement)	-	-	-
NETTETE	●	●	-	●
IMAGE D.	●	●	-	●
MODE GAMMA	-	-	●	-
TEMP COULEU	●	●	●	●
STANDARD	●	-	-	●

● : Ajustable/peut être réglé
- : Non ajustable/ne peut être réglé

Le menu REGL ENTREE

Le menu REGL ENTREE sert au réglage du signal d'entrée.

Les paramètres non réglables suivant le signal d'entrée ne sont pas affichés dans le menu.



Procédure

1. Sélectionnez un paramètre

Utilisez la touche \uparrow ou \downarrow pour sélectionner le paramètre et appuyez ensuite sur la touche \rightarrow ou ENTER.

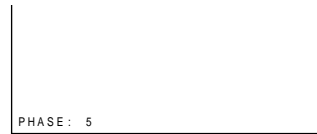
2. Réglez le paramètre

- Pour changer le niveau de réglage:
 - Pour augmenter la valeur, appuyez sur la touche \uparrow ou \rightarrow .
 - Pour diminuer la valeur, appuyez sur la touche \downarrow ou \leftarrow .
 - Appuyez sur la touche ENTER pour revenir à l'écran de départ.
- Pour modifier le réglage:
 - Appuyez sur la touche \uparrow ou \downarrow pour changer la valeur de réglage.
 - Appuyez sur la touche ENTER ou \leftarrow pour revenir à l'écran de départ.

PHASE

Réglage de la phase des points du panneau LCD et du signal entré via le connecteur INPUT A.

Règle l'image pour qu'elle apparaisse plus claire.



Vous pouvez directement afficher le menu ci-dessus à l'aide de la touche DP du panneau de commande.

AMPL (dimension horizontale)

Réglage de la taille horizontale de l'image entrée via le connecteur INPUT A.



Plus la valeur de réglage est élevée, plus la taille horizontale de l'image est grande.

Plus la valeur de réglage est faible, moins la taille horizontale de l'image est grande. Ajustez le réglage en fonction des points du signal d'entrée. Pour plus de détails sur la valeur adéquate pour les signaux présélectionnés, voir page 26 (F).

DEPL. (déplacement)

Réglage de la position de l'image entrée via le connecteur INPUT A.



H règle la position horizontale de l'image.

V règle la position verticale de l'image.

Plus la valeur de H augmente, plus l'image se déplace vers la droite, et plus elle diminue, plus l'image se déplace vers la gauche.

Plus la valeur de V augmente, plus l'image se déplace vers le haut, et plus elle diminue, plus l'image se déplace vers le bas.

Utilisez les touches \leftarrow et \rightarrow pour ajuster la position horizontale et les touches \uparrow et \downarrow pour la position verticale.

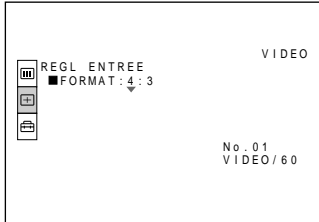
(suite page suivante)

Le menu REGL ENTREE

FORMAT

Définit le format de l'image.

Lors de l'entrée d'un signal 16:9 (comprimé) à partir d'un appareil tel qu'un lecteur DVD, choisissez 16:9.



4:3: Lorsqu'une image de rapport d'écran 4:3 est entrée.

16:9: Lorsqu'une image de rapport d'écran 16:9 (comprimée) est entrée.

Signaux d'entrée et paramètres de réglage

Paramètre	Signal d'entrée			
	Vidéo ou S vidéo (Y/C)	Composant	RVB	N&B
PHASE	–	–	●	–
AMPL	–	–	●	–
DEPL	–	–	●	–
FORMAT	●	●	–	●

● : Ajustable/peut être réglé

– : Non ajustable/ne peut être réglé

A propos du n° de mémoire présélectionné

Ce projecteur est doté de 22 types de données de présélection pour les signaux d'entrée transmis via INPUT A (la mémoire de présélection). Le numéro de mémoire du signal d'entrée en cours et le type de signal sont affichés lorsque le signal de présélection est entré. Ce projecteur détecte automatiquement le type du signal. Lorsque le signal est enregistré dans la mémoire de présélection, une image adéquate s'affiche à l'écran en fonction du type de signal. Vous pouvez ajuster l'image à l'aide du menu REGL ENTREE. Ce projecteur est également doté de 20 types de mémoires utilisateur pour INPUT A. Lorsqu'un signal non présélectionné est entré pour la première fois, le numéro de mémoire s'affiche comme étant 00. Si le signal d'entrée est ajusté dans le menu REGL ENTREE, le réglage du signal entré via INPUT A est enregistré sous un numéro de mémoire compris entre 51 et 70. Lorsque plus de 20 mémoires utilisateur ont été enregistrées pour INPUT A, la mémoire la plus récente remplace automatiquement la plus ancienne.

Signaux présélectionnés

N° de mémoire	Signal présélectionné	fH (kHz)	fV (Hz)	Sync	AMPL	
1	Vidéo 60 Hz	15,734	59,940	H-nég V-nég		
2	Vidéo 50 Hz	15,625	50,000	H-nég V-nég		
3	Composant 60 Hz	15,734	59,940	H-nég V-nég		
4	Composant 50 Hz	15,625	50,000	H-nég V-nég		
6	640 × 350	VGA mode 1	31,469	70,086	H-pos V-nég	800
7		VGA VESA ^{a)} 85 Hz	37,861	85,080	H-pos V-nég	832
8	640 × 400	PC-9801 ^{b)} Normal	24,823	56,416	H-nég V-nég	848
9		VGA mode 2	31,469	70,086	H-nég V-pos	800
10		VGA VESA 85 Hz	37,861	85,080	H-nég V-pos	832
11	640 × 480	VGA mode 3	31,469	59,940	H-nég V-nég	800
12		Macintosh 13"	35,000	66,667	H-nég V-nég	864
13		VGA VESA 72 Hz	37,861	72,809	H-nég V-nég	832
14		VGA VESA 75 Hz	37,500	75,000	H-nég V-nég	840
15		VGA VESA 85 Hz	43,269	85,008	H-nég V-nég	832
16	800 × 600	SVGA VESA 56 Hz	35,156	56,250	H-pos V-pos	1024
17		SVGA VESA 60 Hz	37,879	60,317	H-pos V-pos	1056
18		SVGA VESA 72 Hz	48,077	72,188	H-pos V-pos	1040
19		SVGA VESA 75 Hz	46,875	75,000	H-pos V-pos	1056
20		SVGA VESA 85 Hz	53,674	85,061	H-pos V-pos	1048
21	832 × 624	Macintosh 16"	49,724	74,550	H-nég V-nég	1152
23	1024 × 768	XGA VESA 60 Hz	48,363	60,004	H-nég V-nég	1061
24		XGA VESA 70 Hz	56,476	70,069	H-nég V-nég	1048

a) VESA est une marque de commerce déposée de Video Electronics Standard Association.

b) PC-98 est une marque de commerce déposée de NEC Corporation.

Comme les données sont rappelées depuis la mémoire de présélection pour les signaux suivants, vous pouvez utiliser ces données présélectionnées en ajustant AMPL. Effectuez le réglage fin en ajustant DEPL.

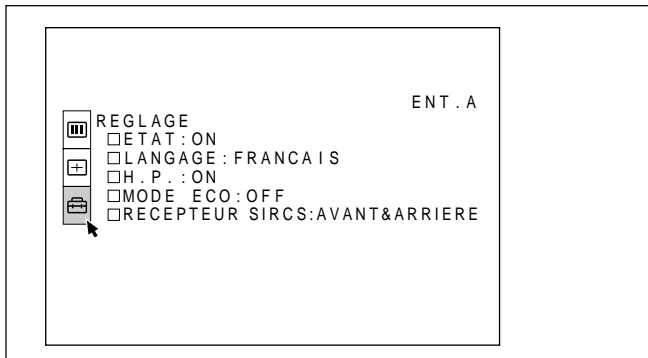
Signal	N° de mémoire	AMPL
Super Mac-2	23	1035
SGL-1	23	1041

Remarques

- Lorsque le rapport d'écran du signal d'entrée est différent de 4:3, une partie de l'écran s'affiche en noir.
- Lorsqu'un signal VGA est entré, la taille de l'image est réduite de 20 %.
- Lorsqu'un signal de mode 16 pouces Macintosh (832 × 624) est entré, l'image extérieure (32 points (horizontal.)/24 lignes (vertical.)) n'est pas affichée.
- Si un signal XGA est entré, la résolution est comprimée au format 797 × 598.

Le menu REGLAGE

Le menu REGLAGE est utilisé pour changer les réglages du projecteur.



Procédure

1. Sélectionnez un paramètre

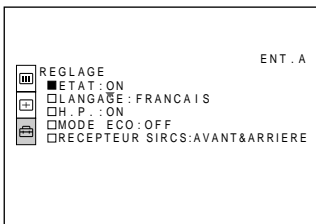
Utilisez la touche \uparrow ou \downarrow pour sélectionner le paramètre et appuyez ensuite sur la touche \rightarrow ou ENTER.

2. Modifiez le réglage

Appuyez sur la touche \uparrow ou \downarrow pour changer le réglage. Pour revenir à l'écran de départ, appuyez sur la touche ENTER ou \leftarrow .

ETAT (écran d'affichage)

Règle l'affichage sur écran.



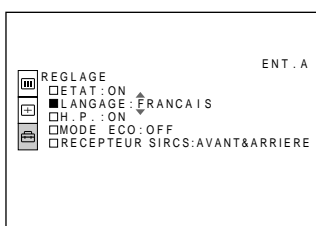
ON: Affichage de tous les écrans de menu.

OFF: Désactive les affichages à l'exception des menus, du message d'indication de mise hors tension et des messages d'avertissement.

Pour plus de détails sur les messages d'avertissement, voir page 34 (F).

LANGAGE

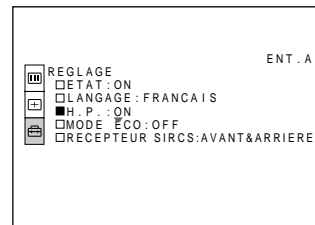
Sélectionne la langue d'affichage du menu système et des écrans de menu.



Les langues disponibles sont : anglais, français, allemand, italien, espagnol, japonais et chinois.

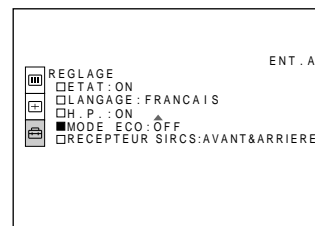
H.P.

Réglez-le sur OFF pour couper le son des haut-parleurs internes. Lorsque vous sélectionnez OFF, l'indication "H.P. OFF" apparaît à l'écran lorsque vous mettez l'appareil sous tension.



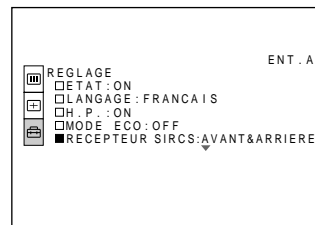
MODE ECO

Lorsqu'il est réglé sur ON, le projecteur passe en mode d'économie d'énergie si aucun signal n'est entré pendant 10 minutes.



RECEPTEUR SIRCS

Sélectionne les capteurs de télécommande à l'avant et à l'arrière du projecteur.



AVANT & ARRIERE: Active les capteurs avant et arrière.

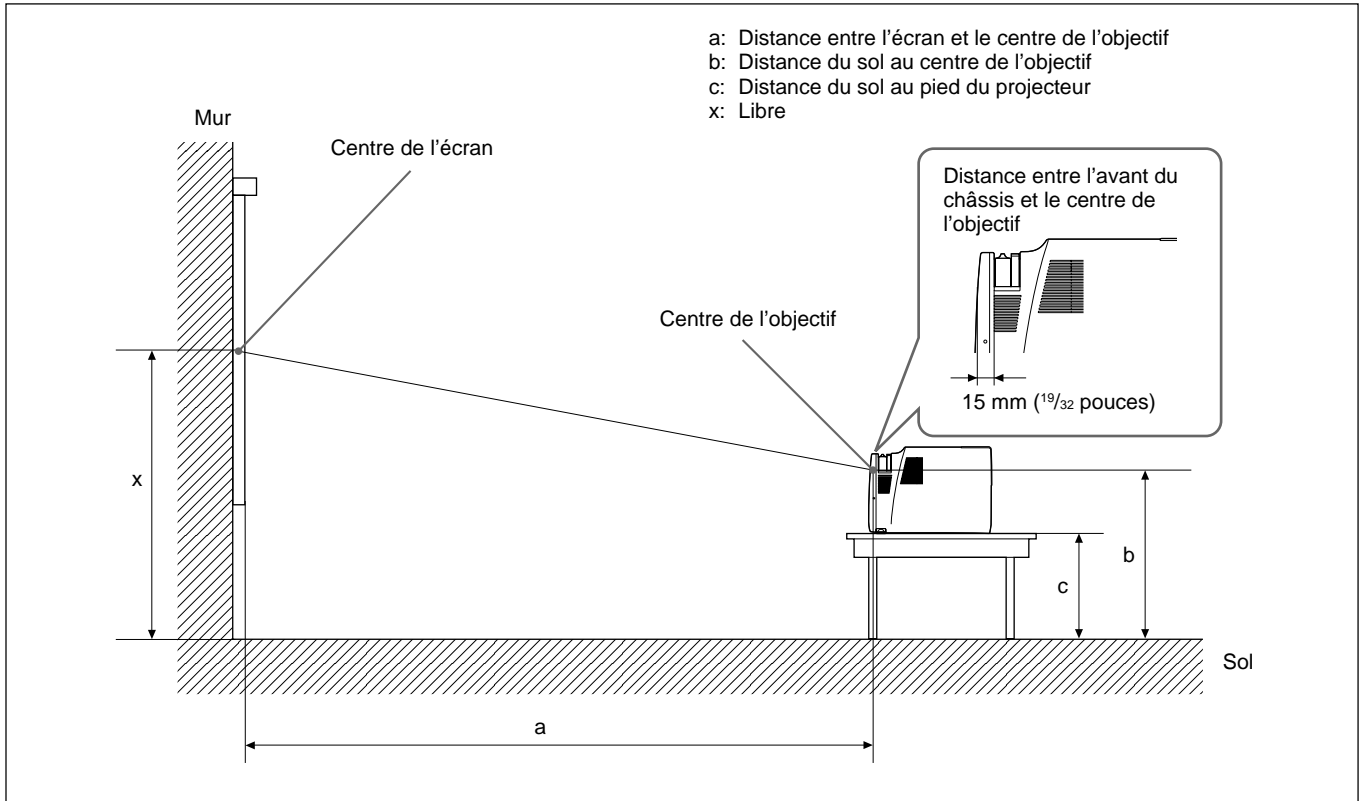
AVANT: Active uniquement le capteur avant.

ARRIERE: Active uniquement le capteur arrière.

Exemple d'installation

Vous ne pouvez pas installer le projecteur à l'envers, par exemple au plafond.

La taille de l'image apparaissant à l'écran change en fonction du signal d'entrée. Attention que la distance de projection change également suivant la taille de l'image.



Unité: mm (pouces)

Taille de l'écran (pouces)		40	60	80	100	120	150
a	Minimum	1410 (55 5/8)	2160 (85 1/8)	2900 (114 1/4)	3640 (143 3/8)	4390 (172 7/8)	5500 (216 5/8)
	Maximum	1630 (64 1/4)	2480 (97 3/4)	3320 (130 3/4)	4170 (164 1/4)	5020 (197 11/16)	6290 (247 3/4)
b		x-265 (x-10 1/2)	x-398 (x-15 3/4)	x-530 (x-20 7/8)	x-663 (x-26 1/8)	x-795 (x-31 3/8)	x-994 (x-39 1/4)
c		x-423 (x-16 3/4)	x-556 (x-22)	x-688 (x-27 1/8)	x-821 (x-32 3/8)	x-953 (x-37 5/8)	x-1152 (x-45 3/8)

Pour calculer les mesures d'installation (unité: mm)

SS: diagonale de l'écran (pouces)

$$a \text{ (minimum)} = \{(SS \times 32,83/0,9055) - 70,33\} \times 1,025$$

$$a \text{ (maximum)} = \{(SS \times 39,393/0,9055) - 70,15\} \times 0,975$$

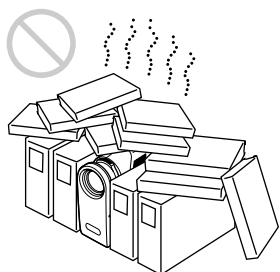
$$b = x - (SS/0,9055 \times 6)$$

$$c = x - (SS/1,26 \times 6 + 158,3)$$

Installation déconseillée

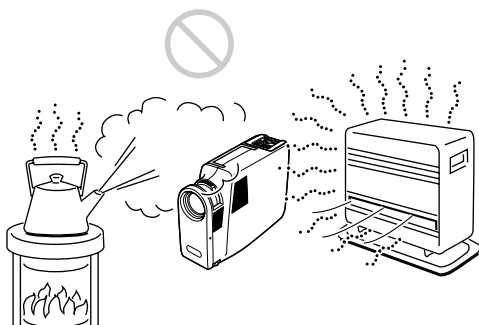
N'installez pas le projecteur dans les situations suivantes. Ces installations peuvent entraîner un dysfonctionnement ou causer des dommages au projecteur.

Manque de ventilation



- Assurez une circulation d'air adéquate afin d'éviter toute surchauffe interne. Ne placez pas l'appareil sur des surfaces textiles (tapis, couvertures, etc.) ni à proximité de tissus (rideaux, draperies) qui risquent d'obstruer les orifices de ventilation. Si la température intérieure augmente à la suite d'une obstruction des orifices de ventilation, le capteur de température déclenche le message "Surchauffe! Mise hors tension dans 1 min." s'affiche. Le projecteur se met alors automatiquement hors tension après une minute.
- Laissez un espace libre de plus de 30 cm (11 7/8 pouces) autour du projecteur.
- Veillez à ce que les orifices de ventilation n'aspirent pas de particules telles que des morceaux de papier.

Exposition à la chaleur et à l'humidité



- N'installez pas l'appareil dans un endroit où la température et l'humidité sont très élevées ou dans un endroit très froid.
- Pour éviter la condensation d'humidité, n'installez pas l'appareil dans un endroit où la température peut augmenter rapidement.

Endroit poussiéreux

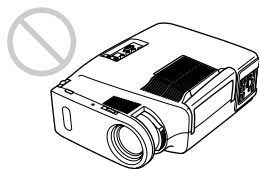


N'installez pas l'appareil dans un endroit très poussiéreux, faute de quoi le filtre à air va s'obstruer. La poussière obstruant le passage de l'air dans le filtre peut entraîner une augmentation de la température intérieure du projecteur. Nettoyez-le régulièrement.

Remarques concernant l'installation

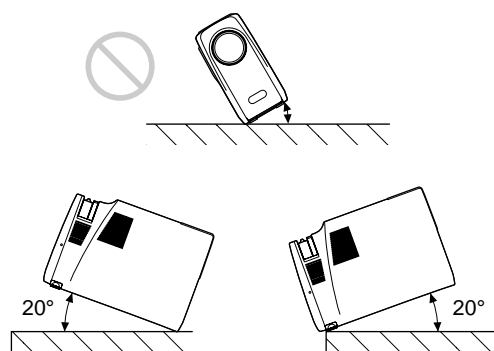
Conformez-vous aux instructions suivantes.

N'installez pas le projecteur sur son flanc



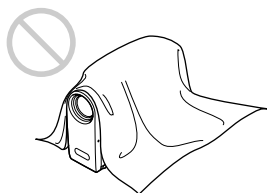
Ne faites pas fonctionner l'appareil lorsqu'il se trouve sur son flanc, car cette position peut entraîner un dysfonctionnement.

Placez-le à niveau



Evitez que l'appareil ne soit incliné de plus de 20 degrés. N'installez pas l'appareil à d'autres endroits qu'au sol ou au plafond. D'autres endroits d'installation peuvent être à l'origine de dysfonctionnements.

Dégagez les orifices de ventilation



Ne recouvrez pas les orifices de ventilation du projecteur, faute de quoi une surchauffe interne risque de se produire.

Remplacement de la lampe

Lorsqu'il est temps de remplacer la lampe, ne tardez pas à la remplacer par une lampe pour projecteur LMP-600.

Pour remplacer la lampe après avoir utilisé le projecteur

Mettez le projecteur hors tension et débranchez le cordon d'alimentation.

Attendez au moins une heure que la lampe refroidisse.

Remarque

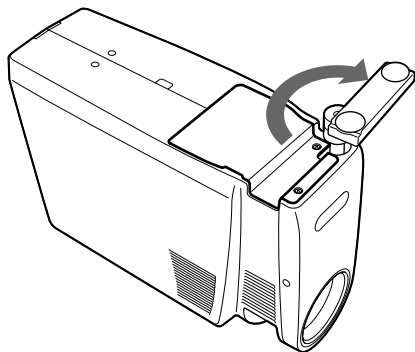
La lampe est toujours brûlante après que vous avez mis le projecteur hors tension. Attendez que la lampe soit complètement refroidie avant de remplacer la lampe.

- 1 Placez une feuille de protection (textile) sous le projecteur. Retournez le projecteur de façon à ce qu'il soit à l'envers.

Remarque

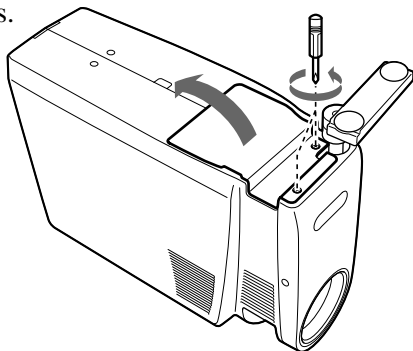
Veillez à ce que le projecteur ne bascule pas après qu'il a été retourné.

- 2 Extrayez le support réglable en appuyant sur le bouton du support réglable et déployez-le vers l'extérieur.

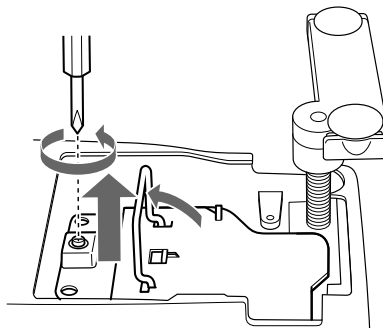


- 3 Ouvrez le couvercle de la lampe en desserrant deux vis à l'aide du tournevis Philips (fourni avec la lampe pour projecteur LMP-600).

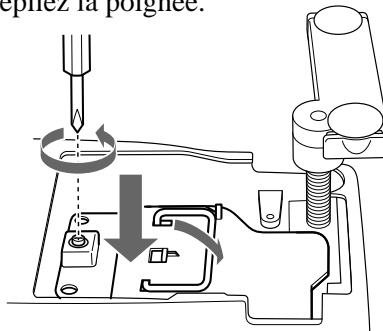
Pour des raisons de sécurité, ne jamais desserrez les autres vis.



- 4 Desserrez la vis du module de lampe à l'aide du tournevis Philips. Extrayez le module de lampe par la poignée.



- 5 Introduisez la nouvelle lampe à fond jusqu'à ce qu'elle soit correctement en place. Serrez la vis. Repliez la poignée.



Remarques

- Veillez à ne pas toucher la surface en verre de la lampe.
- Le projecteur ne se met pas sous tension si la lampe n'est pas correctement installée.

- 6 Refermez le couvercle de la lampe et serrez les vis.
- 7 Repliez le support réglable et renforcez-le ensuite.
- 8 Remettez le projecteur à l'endroit.
- 9 Branchez le cordon d'alimentation et activez le projecteur en mode de veille.
- 10 Appuyez sur chacune des touches suivantes du panneau de commande dans l'ordre indiqué pendant moins de cinq secondes: LIGHT, ←, →, ENTER.

Entretien

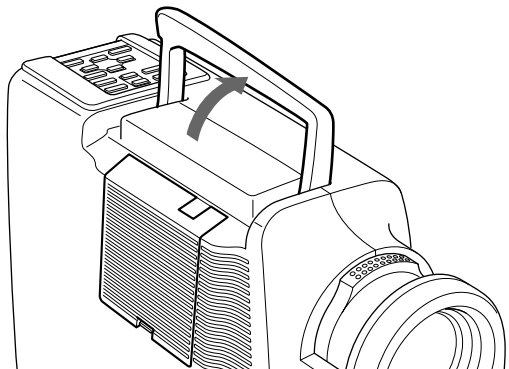
Remarques

- La lampe atteint une température très élevée après que le projecteur a été mis hors tension à l'aide de la touche I / ⏻. Si vous touchez la lampe, vous risquez de vous brûler les doigts. Pour remplacer la lampe, attendez au moins une heure que la lampe soit refroidie.
- Pour le remplacement, utilisez uniquement une lampe pour projecteur LMP-600. Si vous utilisez une lampe autre qu'une LMP-600, le projecteur risque de présenter une défaillance.
- Mettez le projecteur hors tension et débranchez le cordon d'alimentation avant de procéder au remplacement de la lampe.
- Ne placez pas la lampe usagée à portée d'enfants ni à proximité d'objets facilement inflammables.
- Ne mouillez pas la lampe et veillez à ce qu'aucun liquide ou objet ne pénètre à l'intérieur. La lampe risque sinon de se briser.
- N'introduisez pas les doigts à l'intérieur du logement de la lampe et veillez à ce qu'aucun liquide ou objet n'y pénètre de manière à prévenir tout risque d'électrocution et d'incendie.

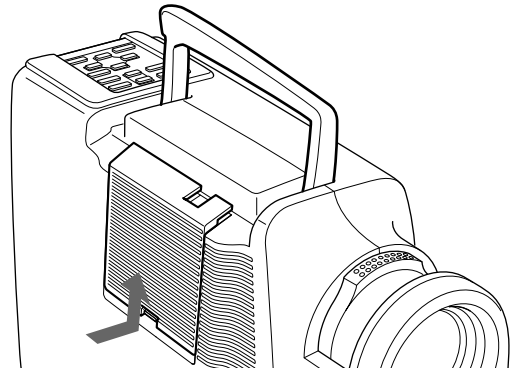
Nettoyage du filtre à air

Le filtre à air doit être nettoyé toutes les 300 heures. Quand il devient difficile d'éliminer la poussière du filtre, remplacez le filtre. Pour nettoyer le filtre à air, appliquez la procédure suivante:

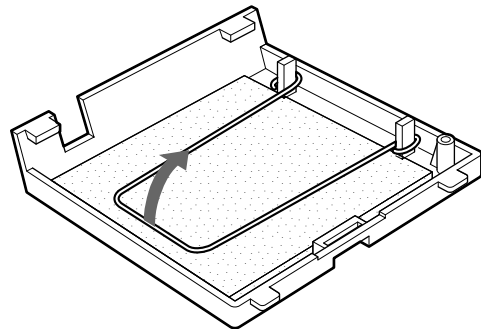
- 1** Mettez le projecteur hors tension et débranchez le cordon d'alimentation.
- 2** Déployez la poignée de transport.



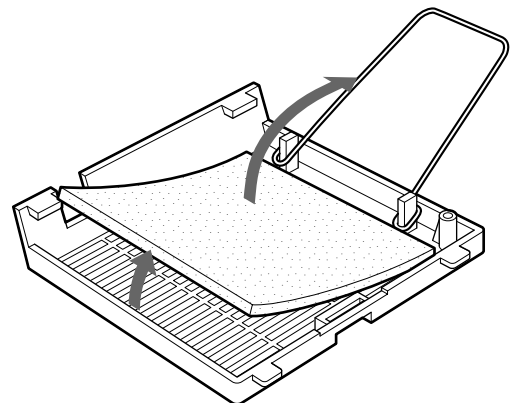
- 3** Maintenez le bouton PUSH enfoncé et retirez le couvercle du filtre à air du côté droit du projecteur.



- 4** Dégagez le ressort.



- 5** Enlevez le filtre à air.



- 6** Éliminez la poussière du filtre à l'aide d'un aspirateur.

- 7** Réinstallez le filtre à air et remplacez le couvercle.

Guide de dépannage

Si le projecteur ne fonctionne pas correctement, essayez d'en déterminer la cause et remédiez au problème en vous référant aux instructions ci-dessous. Si le problème persiste, consultez le personnel qualifié Sony.

Symptôme	Cause	Remède
Le projecteur ne se met pas sous tension.	Le projecteur a été mis hors et sous tension à bref intervalle à l'aide de la touche I / ⏻.	Attendez environ 90 secondes avant de mettre le projecteur sous tension (voir page 19 (F)).
	Le couvercle de la lampe est mal fixé.	Refermez correctement le couvercle de la lampe (voir page 31 (F)).
	Le couvercle du filtre à air est mal fixé.	Refermez correctement le couvercle du filtre à air (voir page 32 (F)).
Pas d'image ni de son.	Un câble est débranché.	Vérifiez si le raccordement a été effectué correctement (voir pages 16 (F) à 18 (F)).
	Raccordement incorrect.	Vérifiez si le raccordement a été effectué correctement (voir pages 16 (F) à 18 (F)).
	La sélection d'entrée est incorrecte.	Sélectionnez correctement la source d'entrée à l'aide de la touche INPUT (voir page 19 (F)).
Pas d'image ou pas de son.	L'image ou le son a été supprimé.	Appuyez sur les touches MUTING pour désactiver la fonction de suppression (voir page 20 (F)).
Pas d'image.	Le signal de l'ordinateur n'est pas transmis vers le moniteur externe.	Transmettez le signal de l'ordinateur vers le moniteur externe (voir page 16 (F)).
	Le signal de l'ordinateur est à la fois transmis vers l'écran LCD de l'ordinateur et le moniteur externe.	Transmettez le signal de l'ordinateur uniquement vers le moniteur externe (voir page 16 (F)).
L'image comporte des parasites.	Des parasites peuvent apparaître en arrière-plan suivant la combinaison du nombre de points entrés via le connecteur et du nombre de pixels du panneau LCD.	Changez le papier peint du bureau sur l'ordinateur connecté.
Si le son entre via le connecteur INPUT-A, le son passe par un seul canal.	Le son monaural est entré via le connecteur INPUT-A.	Entrez un son stéréo.
L'image via le connecteur INPUT-A est trop lumineuse.	Le commutateur à terminaison à 75 ohm situé sur le dessous est réglé sur OFF.	Réglez ce commutateur sur ON.
L'image via le connecteur INPUT-A présente des couleurs anormales.	Le signal 15k RVB est entré.	Entrez le signal correct. Cet appareil n'accepte pas le signal 15k RVB (voir page 26 (F)).
Les écrans de menu ne s'affichent pas.	Le paramètre ETAT du menu REGLAGE est réglé sur OFF.	Réglez ETAT dans le menu REGLAGE sur ON (voir page 27 (F)).
La balance des couleurs est incorrecte.	L'image n'est pas correctement réglée.	Réglez l'image (voir pages 23 (F) et 24 (F)).
	Le projecteur est réglé sur un mauvais système couleur.	Réglez STANDARD dans le menu CTRL IMAGE suivant le système couleur entré (voir page 24 (F)).
L'image est trop foncée.	Le contraste ou la luminosité ne sont pas réglés correctement.	Réglez correctement le contraste ou la luminosité dans le menu CTRL IMAGE (voir page 23 (F)).
L'image n'est pas claire.	L'image n'est pas mise au point.	Réglez la mise au point (voir page 20 (F)).
	De la condensation s'est formée sur l'objectif.	Laissez le projecteur environ deux heures sous tension (voir page 29 (F)).

(suite page suivante)

Guide de dépannage

Symptôme	Cause	Remède
L'indicateur LAMP/COVER clignote.	Le couvercle de la lampe ou le couvercle du filtre à air est mal fixé.	Fixez correctement le couvercle (voir page 31 (F) et 32 (F)).
L'indicateur LAMP/COVER s'allume.	La lampe a atteint la fin de sa durée de vie utile.	Remplacez la lampe (voir page 31 (F)).
	La lampe a atteint une température élevée.	Attendez 90 secondes que la lampe refroidisse et remettez le projecteur sous tension (voir page 19 (F)).
L'indicateur TEMP/FAN clignote.	Le ventilateur est défectueux.	Consultez le personnel qualifié Sony.
L'indicateur TEMP/FAN s'allume.	La température intérieure est anormalement élevée.	Vérifiez si les orifices de ventilation ne sont pas obstrués.
La télécommande est inopérante.	Les piles de la télécommande sont épuisées.	Remplacez les piles (voir page 14 (F)).
	Le commutateur COMMANDER ON/OFF est réglé sur la position OFF.	Réglez le commutateur sur la position ON (voir page 14 (F)).
	Le câble est branché sur la prise CONTROL S OUT.	Débranchez le câble (voir page 14 (F)).
	Le capteur de télécommande avant/arrière est à proximité d'une lampe fluorescente.	Changez le réglage de RECEPTEUR SIRCS dans le menu REGLAGE (voir page 27 (F)).
Le pointeur laser n'émet pas de faisceau laser.	Les piles sont épuisées.	Remplacez les piles (voir page 14 (F)).
	La télécommande est employée comme une télécommande à fil sans piles.	Installez des piles (voir page 14 (F)).
La manette de commande, la touche R CLICK ou L CLICK ne fonctionne pas.	Le port de la souris de l'ordinateur ne reconnaît pas le câble de la souris.	Redémarrez l'ordinateur.

Messages d'avertissement

Consultez la liste ci-dessous pour connaître la signification des messages affichés à l'écran.

Message	Signification	Remède
Surchauffe! Mise hors tension dans 1 min.	La température interne est excessive.	Mettez le projecteur hors tension. Vérifiez si les orifices de ventilation ne sont pas obstrués.
Fréquence est hors limites!	Ce signal d'entrée ne peut être projeté car la fréquence est en-dehors de la plage compatible avec ce projecteur.	Entrez un signal dans la plage de fréquences compatible avec ce projecteur.
	Le réglage de la définition du signal de sortie de l'ordinateur est trop élevé.	Réglez la sortie sur SVGA (voir page 16 (F)).

Messages de précaution

Consultez la liste ci-dessous pour connaître la signification des messages affichés à l'écran.

Message	Signification	Remède
PAS D'ENTREE	Absence de signal d'entrée	Vérifiez les connexions.
Non applicable!	Vous avez appuyé sur la mauvaise touche.	Appuyez sur la touche appropriée.

Caractéristiques optiques

Système de projection	Système de projection à 3 panneaux LCD, 1 objectif
Panneau LCD	Panneau LCD TFT 0,9 pouces, 1.440.000 pixels (480.000 pixels × 3)
Objectif	Zoom 1,2x, f 32,8 à 39,4 mm/ F 2,5 à 2,79
Lampe	120 W UHP
Dimensions de l'image projetée	Plage: 40 à 150 pouces (en diagonale)
Flux lumineux	ANSI lumen ¹⁾ 500 lm
Distance de projection (lorsque le signal SVGA est entré))	40 pouces: 1410 à 1630 mm (55 5/8 à 64 1/4 pouces) 60 pouces: 2160 à 2480 mm (85 1/8 à 97 3/4 pouces) 80 pouces: 2900 à 3320 mm (114 1/4 à 130 3/4 pouces) 100 pouces: 3640 à 4170 mm (143 3/8 à 164 1/4 pouces) 120 pouces: 4390 à 5020 mm (172 7/8 à 197 11/16 pouces) 150 pouces: 5500 à 6290 mm (216 5/8 à 243 3/4 pouces)

Caractéristiques électriques

Système couleur	NTSC _{3,58} /PAL/SECAM/NTSC _{4,43} / PAL-M, commutation automatique/manuelle
Résolution	600 lignes TV horizontales (entrée vidéo) 800 × 600 points (entrée RVB)
Signaux informatiques compatibles	fH: 24 à 57 kHz fV: 43 à 85 Hz
Haut-parleur	Haut-parleurs stéréo, 36 mm (1 7/16 pouces) de diamètre, max. 0,5 W × 2

Entrées/sorties

Entrée audio/vidéo	VIDEO: type phono Composite vidéo: 1 Vcc ±2 dB sync négative (terminaison à 75 ohms) S VIDEO: miniconnecteur DIN Y/ C à 4 broches (mâle) Y (luminance): 1 Vcc ±2 dB sync négative (terminaison à 75 ohms) C (chrominanc): salve 0,286 Vcc ±2 dB (NTSC) (terminaison à 75 ohms), salve 0,3 Vcc ±2 dB (PAL) (terminaison à 75 ohms) AUDIO: type phono × 2 500 mVrms, impédance plus de 47 kilohms
INPUT-A	INPUT A: HD D-sub à 15 broches (femelle) RVB analogique/composante: R/R-Y: 0,7 Vcc ±2 dB (terminaison à 75 ohms) G: 0,7 Vcc ±2 dB (terminaison à 75 ohms) G avec sync/Y: 1 Vcc ±2 dB sync négative (terminaison à 75 ohms) B/B-Y: 0,7 Vcc ±2 dB (terminaison à 75 ohms) SYNC/HD: Entrée sync composite: 1-5 Vcc haute impédance, positive/ négative Entrée sync horizontale: 1-5 Vcc haute impédance, positive/négative VD: Entrée sync verticale: 1-5 Vcc haute impédance, positive/ négative MOUSE (sortie): 13 broches (femelle) <i>(Pour plus de détails, voir "Assignment des broches" à la page 37 (F).)</i> AUDIO: miniprise stéréo 500 mVrms, impédance plus de 47 kilohms <i>(suite page suivante)</i>

1) La luminosité ANSI est une méthode de mesure conforme à l'American National Standard IT 7.228.

Spécifications

AUDIO OUT (sortie variable): miniprise stéréo
Max. 500 mVrms, impédance
5 kilohms

Réglementation de sécurité

VPL-SC50U: UL1950, cUL (CSA
C22.2 No.950), FCC Classe A,
IC Classe A, DHHS
VPL-SC50E/SC50M: EN60 950
EN60825-1, CE, C-Tick

Faisceau laser

Type de laser Classe 2
Longueur d'onde 670 nm
Puissance de sortie 1 mW

Caractéristiques générales

Dimensions 107 × 218 × 314 mm (4 1/4 × 8 5/8 ×
12 3/8 pouces) (l/h/p)

Masse Approx. 3,7 kg (8 lb 3 oz)

Puissance de raccordement
100 à 120 V CA / 220 à 240 V CA,
2 A/0,9 A, 50/60 Hz

Consommation électrique
Max. 190 W (mode de veille: 2 W)

Dispersion de la chaleur
648,37 BTU

Température d'utilisation
0°C à 40°C (32°F à 104°F)

Humidité d'utilisation
35% à 85% (sans condensation)

Température de stockage
-20°C à 60°C (-4°F à 140°F)

Humidité de stockage
10% à 90%

Accessoires fournis

Télécommande RM-PJM600 (1)
Piles AA (R6) (2)
Câble de signal vidéo SMF-401 (1)
Adaptateur de signal (pour
Macintosh) (1)
Câble de souris
SIC-S20 (pour Macintosh) (2 m)
(1)
SIC-S22 (pour PS/2) (2 m) (1)
Câble audio/vidéo (1,5 m) (1)
Bandoulière pour la télécommande (1)
Cordon d'alimentation (1)
Filtre à air (de réserve) (1)
Mode d'emploi (1)

Carte de référence rapide (1)
Carte de garantie (1) (VPL-SC50U
uniquement)

La conception et les spécifications sont sujettes à
modifications sans préavis.

Accessoires en option

Lampe pour projecteur LMP-600¹⁾ (de réserve)

Etui de transport VLC-SC50¹⁾

Sélecteur de signal IFU-SC50

Câble de signal vidéo SMF-401 (HD D-sub à 15
broches (male) ↔ HD D-sub à 15 broches (mâle))

Câble de signal

SMF-402 (HD D-sub à 15 broches (mâle) ↔ 3 ×
type phono (mâle))

Câble de souris

SIC-S20 (pour Macintosh) (2 m)

SIC-S21 (pour le port sériel) (2 m)

SIC-S22 (pour PS/2) (2 m)

Adaptateur de signal

ADP-10 (HD D-sub à 15 broches ↔ D-sub à 9
broches (pour Câble SIC))

ADP-20 (Macintosh ↔ HD D-sub à 15 broches)

Câble SIC

SIC-20A/20C/21/22

Ecrans

VPS-80C portable de 80 pouces

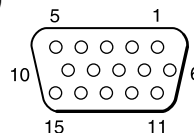
VPS-100FH à écran plat de 100 pouces

VPS-120FH à écran plat de 120 pouces

*Il est possible que certains de ces accessoires ne soient pas
disponibles dans certaines zones géographiques. Pour plus
de détails, veuillez consulter votre revendeur Sony.*

Attribution des broches

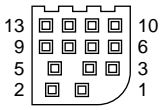
**Connecteur INPUT A (HD D-sub à 15 broches,
femelle)**



1	R/R-Y	9	N.C.
2	G/Y	10	GND
3	B/B-Y	11	GND
4	N.C.	12	N.C.
5	GND	13	HD/C.Sync
6	GND (R)	14	VD
7	GND (G)	15	N.C.
8	GND (B)		

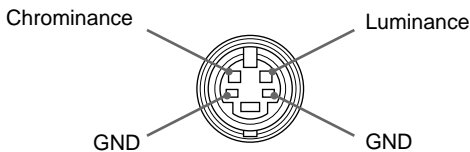
1) Il est possible que la lampe LMP-600 et l'étui de transport VLC-SC50 ne soient pas disponibles dans certaines zones géographiques. Pour plus de détails, veuillez consulter votre revendeur Sony.

Connecteur MOUSE (13 broches, femelle)



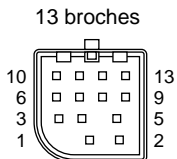
1	RTS	8	R
2	GND	9	98/AT/TXD
3	XA	10	+5V/DTR
4	XB	11	CLOCK
5	YA	12	DATA
6	YB	13	RXD
7	L/PS		

Prise S VIDEO (miniconnecteur DIN à 4 broches)



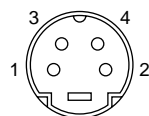
Assignation des broches du câble de souris

SIC-S20



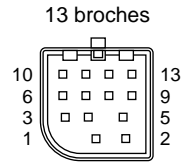
1	RTS	8	R
2	GND	9	98/AT/TXD
3	XA	10	+5V/DTR
4	XB	11	CLOCK
5	YA	12	DATA
6	YB	13	RXD
7	L/PS		

Miniconnecteur DIN à 4 broches



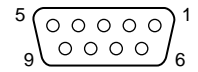
1	ADB
2	NC
3	+5V
4	GND

SIC-S21 (non fourni)



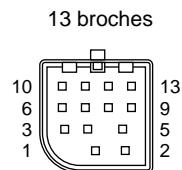
1	RTS	8	R
2	GND	9	98/AT/TXD
3	XA	10	+5V/DTR
4	XB	11	CLOCK
5	YA	12	DATA
6	YB	13	RXD
7	L/PS		

D-sub à 9 broches



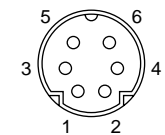
1	DCD
2	RXD
3	TXD
4	DTR
5	GND
6	DSR
7	RTS
8	CTS
9	RI

SIC-S22



1	RTS	8	R
2	GND	9	98/AT/TXD
3	XA	10	+5V/DTR
4	XB	11	CLOCK
5	YA	12	DATA
6	YB	13	RXD
7	L/PS		

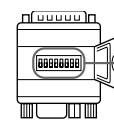
Miniconnecteur DIN à 6 broches



1	DATA
2	NC
3	GND
4	+5V
5	CLOCK
6	NC

Position du microcommutateur pour l'adaptateur de signal

vers le Macintosh



vers le projecteur

Microcommutateur

ON (position supérieure)
OFF (position inférieure)

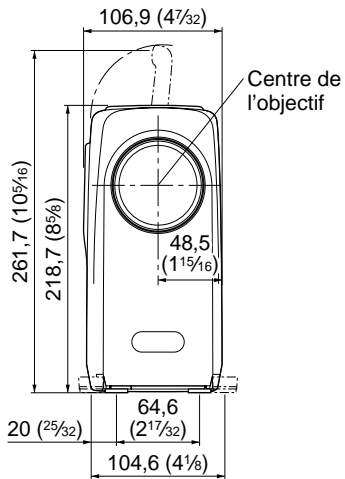
■ = 1
□ = 0

Mode	fH	Microcommutateur							
		1	2	3	4	5	6	7	8
VGA/S VGA	31,5 kHz/37,8 kHz	0	0	1	1	1	0	0	1
Macintosh 13"	35,0 kHz	1	1	0	0	1	0	0	1
Macintosh 16"	49,7 kHz	0	1	0	1	1	0	0	1

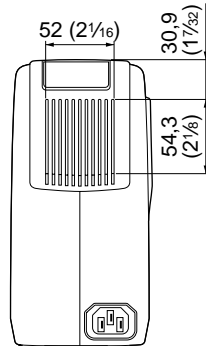
Spécifications

Dimensions

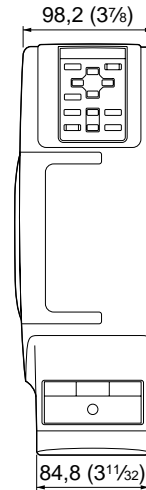
Avant



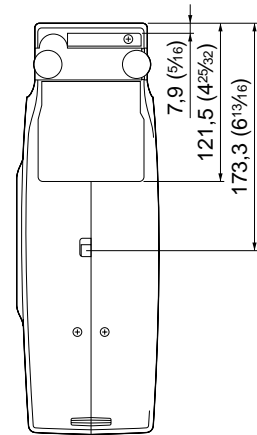
Arrière



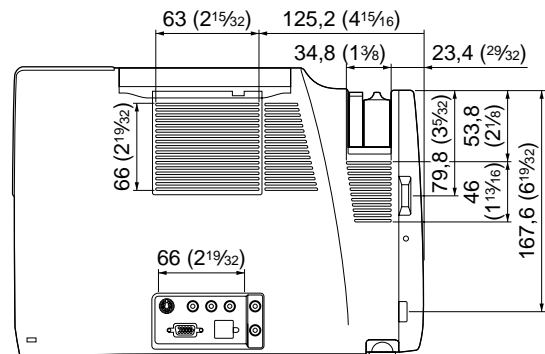
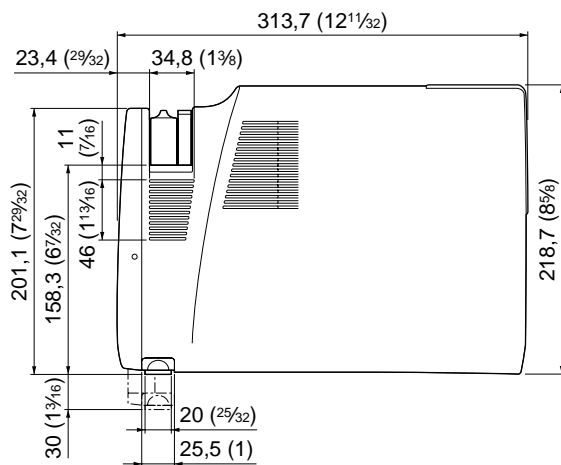
Dessus



Dessous



Côté



Unité: mm (pouces)

A, B

Accessoires en option 36 (F)
Accessoires fournis 36 (F)
Adaptateur de signal 17 (F)
 position du commutateur 37 (F)
Alimentation
 mise hors tension 21 (F)
 mise sous tension 19 (F)
AMPL 25 (F)
Assignation des broches 36 (F), 37 (F)

C

Câble de souris
 assignation des broches 37 (F)
 raccordement 16 (F)
Capteur de télécommande
 arrière 10 (F)
 avant 7 (F)
 réglage 27 (F)
Connecteur de souris 12 (F)
 assignation des broches 37 (F)
Connecteur INPUT A 12 (F)
 assignation des broches 36 (F)
CONTRASTE 23 (F)
COULEUR 23 (F)

D, E

Dépannage 33 (F)
DEPL 25 (F)
Dimensions 38 (F)
Emplacement et fonction des commandes
 côté arrière/droit/dessous 10 (F)
 côté avant/gauche 7 (F)
 panneau de commande 8 (F)
 panneau des connecteurs 12 (F)
 télécommande 13 (F)
ETAT (affichage sur écran) 27 (F)
Exemples d'installation 15 (F), 28 (F)
 endroits déconseillés 29 (F)
 remarques 30 (F)

F, G, H

Filtre à air 32 (F)
FORMAT 26 (F)
H.P. 27 (F)

I, J, K

IMAGE D. (dynamique) 24 (F)

L

LANGAGE 27 (F)
LUMIERE 23 (F)

M, N

Menu
 désactivation des écrans de menu 22 (F)
 menu CTRL IMAGE 23 (F)
 menu REGL ENTREE 25 (F)
 menu REGLAGE 27 (F)
 utilisation du menu 22 (F)
Menu CTRL IMAGE 23 (F)
Menu REGL ENTREE 25 (F)
Menu REGLAGE 27 (F)
Messages
 d'avertissement 34 (F)
 de précaution 34 (F)
MODE ECO 8 (F), 27 (F)
MODE GAMMA 24 (F)
NETTETE 24 (F)

O

Orifices de ventilation
 prise 10 (F)
 sortie 7 (F), 10 (F)

P, Q

PHASE 25 (F)
Piles
 installation 14 (F)
 remarques 14 (F)
Poignée de transport 7 (F)
Pointeur laser 13 (F)
Précautions 4 (F)

R

Raccordement
 composant 18 (F)
 magnétoscope 18 (F)
 ordinateur 16 (F)
RECEPTEUR SIRCS 27 (F)
Réglage
 de la taille/déplacement de l'image
 25 (F)
 de l'image 23 (F), 24 (F)
 mémoire des réglages 22 (F)
Remplacement de la lampe 31 (F)
Réinitialisation
 paramètres réinitialisables 22 (F)
 réinitialisation d'un paramètre 22 (F)

S

Spécifications 35 (F)
STANDARD (système couleur) 24 (F)
Support réglable 11 (F)
Suppression
 de l'image 20 (F)
 du son 20 (F)

T, U, V, W, X, Y, Z

Taille de l'écran 15 (F), 28 (F)
TEINTE 23 (F)
Télécommande
 emplacement et fonction des
 commandes 13 (F)
 installation des piles 14 (F)
 pointeur laser 13 (F)
TEMP COULEU 24 (F)

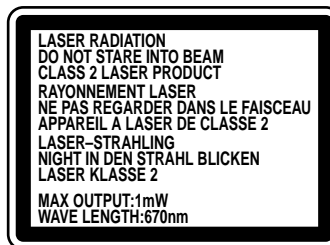
ADVERTENCIA

Para evitar riesgos de incendio o electrocución, no exponga la unidad a la lluvia ni a la humedad.

Para evitar recibir descargas eléctricas, no abra el aparato. Contrate exclusivamente los servicios de personal cualificado.

La toma mural debe estar instalada cerca del equipo y debe accederse a ésta con facilidad.

Para los clientes del modelo VPL-SC50E/SC50M

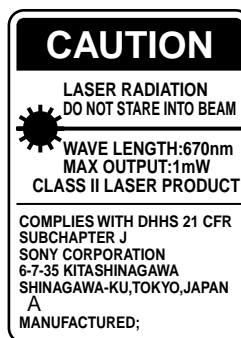


Esta etiqueta se encuentra en la parte posterior del mando a distancia.



Esta etiqueta se encuentra en el lateral del mando a distancia.

Para los clientes del modelo VPL-SC50U



Esta etiqueta se encuentra en la parte posterior del mando a distancia.

AVOID EXPOSURE-LASER RADIATION IS EMITTED FROM THIS APERTURE.

Esta etiqueta se encuentra en la parte posterior del mando a distancia.

El haz láser se emite a través de esta ventana.

**Notas**

- No oriente el láser hacia personas ni mire hacia el transmisor de láser.
- Si el mando a distancia causa fallos de funcionamiento, consulte con personal especializado Sony. Dicho mando se sustituirá por otro nuevo en función de la garantía.

Descripción general

Precauciones	4 (ES)
Características	6 (ES)
Ubicación y función de los controles	7 (ES)
Parte frontal/izquierda	7 (ES)
Parte posterior/derecha/inferior	10 (ES)
Mando a distancia	13 (ES)

Instalación y proyección

Instalación del proyector	15 (ES)
Conexión	16 (ES)
Conexión con un ordenador	16 (ES)
Conexión con una videgrabadora/equipo componente	18 (ES)
Proyección	19 (ES)

Realización de ajustes mediante el menú

Uso del MENU	22 (ES)
Menú CTRL IMAGEN	23 (ES)
Menú AJUS ENTRAD	25 (ES)
Menú AJUSTE	27 (ES)

Instalación

Ejemplo de instalación	28 (ES)
Instalación inadecuada	29 (ES)
Notas sobre la instalación	30 (ES)

Mantenimiento

Mantenimiento	31 (ES)
Sustitución de la lámpara	31 (ES)
Limpieza del filtro de aire	32 (ES)
Solución de problemas	33 (ES)

Otros

Especificaciones	35 (ES)
Índice alfabético	39 (ES)


Seguridad

- Compruebe que la tensión de funcionamiento de la unidad coincide con la tensión del suministro eléctrico local. Si es necesario adaptar la tensión, consulte con personal especializado de Sony.
- Si se derrama líquido dentro de la unidad o si se introduce un objeto sólido en la misma, desenchúfela y haga que sea revisada por personal especializado antes de volver a utilizarla.
- Desenchufe la unidad de la toma mural si no va a utilizarla durante varios días.
- Para desconectar el cable, tire del enchufe, nunca del propio cable.
- La toma de corriente debe encontrarse cerca de la unidad y ser de fácil acceso.
- La unidad no se desconectará de la fuente de alimentación de CA (toma de corriente) mientras esté conectada a la toma mural, aunque la haya apagado.
- No mire al objetivo mientras la lámpara está encendida.
- No oriente el láser hacia personas ni mire hacia el transmisor láser.
- No sitúe la mano ni objetos cerca de los orificios de ventilación, ya que el aire que sale está caliente.
- Tenga cuidado de no pillarse los dedos con el ajustador cuando levante el proyector. No ejerza excesiva presión sobre la parte superior del proyector con el ajustador fuera.

Iluminación

- Para obtener la mejor calidad posible de imagen, la parte frontal de la pantalla no debe exponerse a la luz solar ni iluminaciones directas.
- Se recomienda instalar una lámpara proyectora en el techo. Cubra las lámparas fluorescentes para evitar la disminución de la relación de contraste.
- Cubra con telas opacas las ventanas que estén orientadas hacia la pantalla.
- Es preferible instalar el proyector en una sala cuyo suelo y paredes no se compongan de materiales que reflejen la luz. Si el suelo y las paredes se componen de dichos tipos de materiales, se recomienda cambiar el color de la moqueta y del papel pintado de la pared por otro oscuro.

Prevención del recalentamiento interno

Después de desactivar la alimentación con la tecla I /  del mando a distancia o del panel de control, no desconecte la unidad de la toma de corriente mientras el ventilador de enfriamiento se encuentra en funcionamiento.

Precaución

El proyector dispone de orificios de ventilación de aspiración en el lado derecho y de exhaustación a ambos lados y en la parte posterior. No bloquee estos orificios ni coloque nada junto a ellos, ya que puede producirse recalentamiento interno, causando el deterioro de imagen o daños al proyector.

Limpieza

- Para mantener el exterior como nuevo, límpielo periódicamente con un paño suave. Las manchas persistentes pueden eliminarse con un paño ligeramente humedecido en una solución detergente poco concentrada. No utilice nunca disolventes concentrados, como diluyentes, bencina o limpiadores abrasivos, ya que dañan el acabado.
- Evite tocar el objetivo. Para eliminar el polvo de éste, emplee un paño seco y suave. No utilice un paño húmedo, soluciones detergentes ni diluyentes.
- Limpie el filtro con regularidad.

Embalaje

- Conserve la caja y materiales originales de embalaje, ya que le resultarán útiles cuando vaya a transportar la unidad. Para obtener la máxima protección, embale la unidad como la recibió de fábrica.

Alta portabilidad

- **Peso ligero y reducido tamaño**

Se ha reducido el tamaño de este proyector, siendo su peso de 3,7 kg (8 lb 3 oz). Para ello, se ha incorporado una carcasa de magnesio. Dispone igualmente de un asa de transporte, lo que permite transportarlo fácilmente con el ordenador.

Alto brillo y alta calidad de imagen

- **Alto brillo**

Gracias al sistema óptico de reciente desarrollo y a la lámpara UHP de 120 W se obtiene un alto brillo (salida de luz de 500 ANSI lumen) y una excelente uniformidad de la imagen.

- **Alta resolución**

Gracias a la incorporación de tres paneles de 0,9 pulgadas, SVGA de 480.000 píxeles, este proyector ofrece una resolución de 800 × 600 puntos para entrada RGB y 600 líneas horizontales de TV para entrada de vídeo.

Fácil instalación y presentación

- **Fácil instalación con equipos externos**

Este proyector dispone de 22 tipos de datos predeterminados de señales de entrada. Es posible obtener imágenes de óptima calidad conectando un equipo con el cable suministrado.

- **Mando a distancia con funciones de puntero láser y control de ratón**

Es posible controlar un ordenador con el mando a distancia, ya que la unidad dispone de un receptor de ratón incorporado. Para la presentación, puede utilizar el puntero láser también incorporado en el mando a distancia.

Admisión de distintas señales de entrada

- **Señales de entrada compatibles**

Este proyector admite señales de vídeo compuestas, S y de componente, así como las señales VGA¹⁾, SVGA¹⁾ y XGA¹⁾²⁾, pudiéndose mostrar todas.

- **Compatible con cinco sistemas de color**

Es posible seleccionar automática o manualmente el sistema de color NTSC, PAL, SECAM, NTSC 4.43³⁾ o PAL-M.

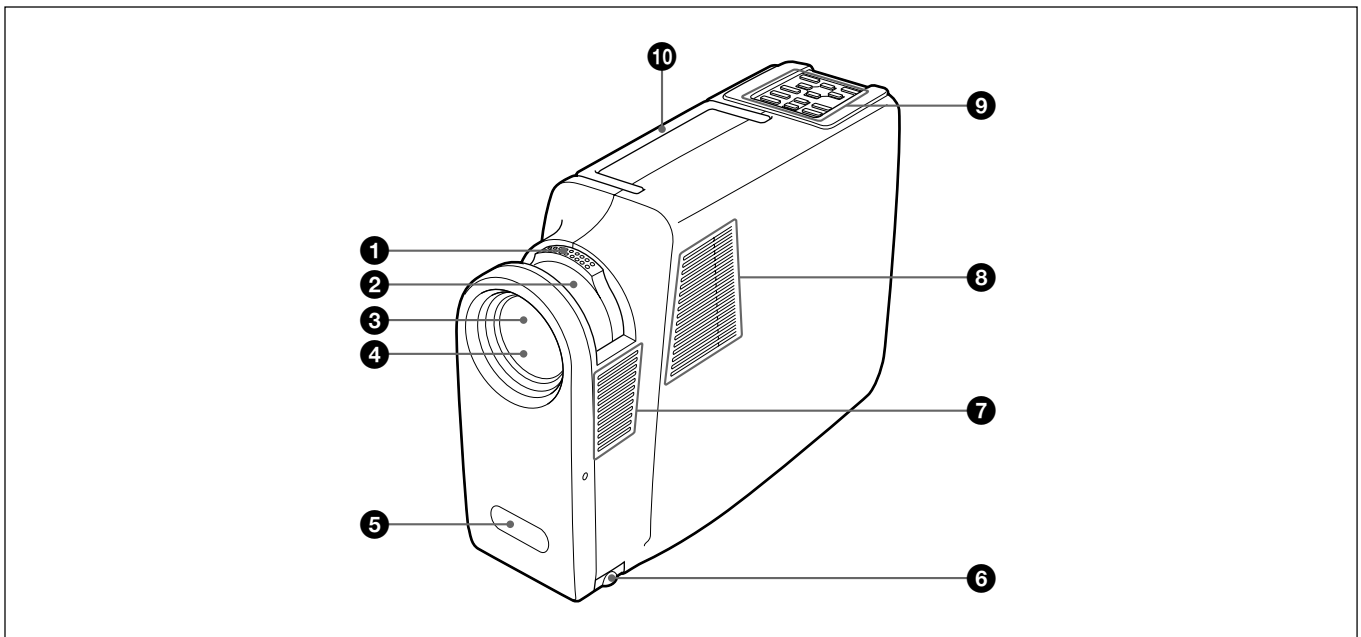
1) VGA, SVGA y XGA son marcas comerciales registradas de International Business Machines Corporation, EE.UU.

2) Se reproduce la señal XGA comprimida.

3) NTSC4.43 es el sistema de color utilizado al reproducir vídeos grabados en NTSC en videograbadoras del sistema NTSC4.43.

Ubicación y función de los controles

Parte frontal/izquierda



1 Anillo de zoom

Ajusta el tamaño de la imagen.

2 Anillo de enfoque

Ajusta el enfoque de la imagen.

3 Objetivo

Abra el obturador del objetivo antes de proyectar.

4 Obturador del objetivo

5 Detector frontal de control remoto

6 Ajustador

Se emplea para nivelar el proyector si se instala en una superficie desnivelada.

Para obtener información detallada sobre cómo utilizar los ajustadores, consulte "Cómo utilizar el ajustador" en la página 11 (ES).

7 Orificios de ventilación (exhaustación)

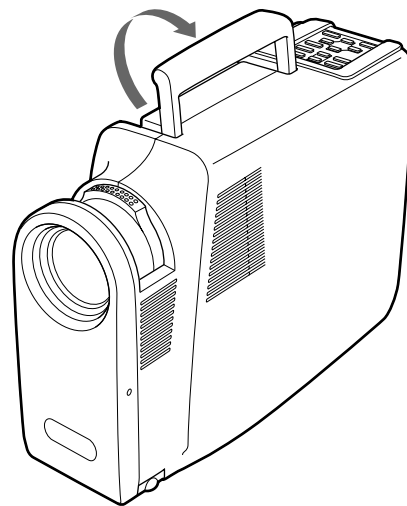
8 Altavoz izquierdo

9 Panel de control

Para más información, consulte "Panel de control" en la página 8 (ES).

10 Asa de transporte

Tire del asa del proyector hacia arriba para transportarlo.

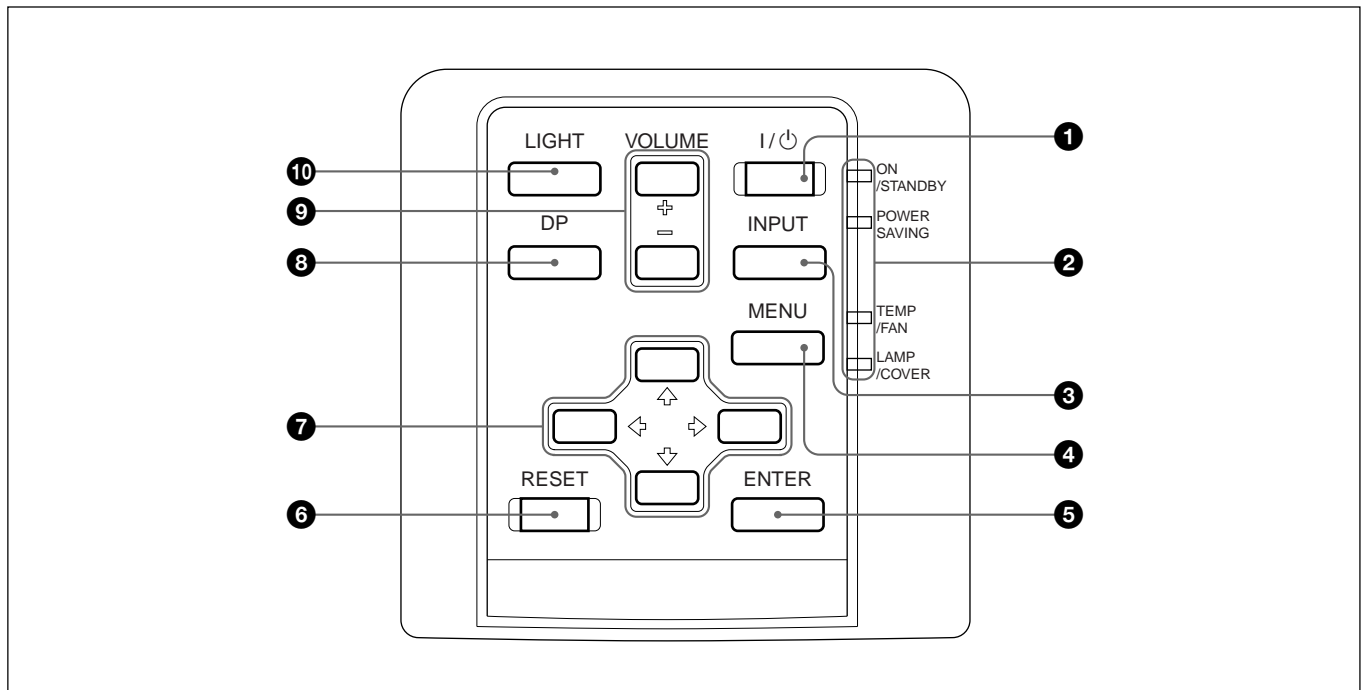


Notas

- No sitúe nada junto a los orificios de ventilación, ya que puede producirse recalentamiento interno.
- No sitúe la mano ni objetos cerca de los orificios de ventilación, ya que el aire sale caliente.

Ubicación y función de los controles

Panel de control



1 Tecla I / ⏻ (encendido / espera)

Enciende y apaga el proyector cuando éste se encuentra en el modo de espera. El indicador ON/STANDBY se ilumina en color verde al activar la alimentación.

Para desactivar la alimentación, pulse la tecla I / ⏻ dos veces a continuación del mensaje en pantalla, o pulse y mantenga pulsada la tecla durante un segundo aproximadamente.

Para obtener información detallada sobre los pasos para desactivar la alimentación, consulte "Para desactivar la alimentación" en la página 21 (ES).

2 Indicadores

ON/STANDBY: Se ilumina o parpadea en las siguientes situaciones:

- Se ilumina en color rojo cuando el cable de alimentación de CA se enchufa en la toma mural. Una vez en el modo de espera, es posible encender el proyector con la tecla I / ⏻ del mando a distancia o del panel de control.
- Se ilumina en color verde al activar la alimentación.
- Parpadea en color verde mientras funciona el ventilador de enfriamiento después de desactivar la alimentación con la tecla I / ⏻. El ventilador funciona durante 90 segundos aproximadamente después de desactivar la alimentación. El indicador ON/STANDBY parpadea rápidamente durante los primeros 30 segundos. Durante este espacio de tiempo, no es posible volver a activar la alimentación con la tecla I / ⏻.

POWER SAVING: Se ilumina cuando el proyector se encuentra en el modo de ahorro de energía. Si AHORRO ENERGIA se ajusta en SI en el menú AJUSTE, el proyector entrará en el modo de ahorro de energía si no se introduce ninguna señal durante 10 minutos. Aunque la lámpara se apague, el ventilador de enfriamiento continúa funcionando. En el modo de ahorro de energía, no funciona ninguna tecla durante los primeros 30 segundos. Dicho modo se cancela al recibirse una señal o al pulsar cualquier tecla.

TEMP (Temperatura)/FAN: Se ilumina o parpadea en las siguientes situaciones:

- Se ilumina si la temperatura del interior del proyector es anormalmente alta.
- Parpadea si el ventilador está roto.

LAMP/COVER: Se ilumina o parpadea en las siguientes situaciones:

- Se ilumina si la lámpara ha llegado al final de su duración o si su temperatura es alta.
- Parpadea si la cubierta de la lámpara o la del filtro de aire no está firmemente cerrada.

Para obtener información detallada sobre los indicadores LAMP/COVER y TEMP/FAN, consulte la página 34 (ES).

3 Tecla INPUT

Selecciona la señal de entrada. Cada vez que pulse la tecla, la señal de entrada cambia entre la entrada de vídeo/audio y el conector INPUT-A.

④ Tecla MENU

Muestra el menú en pantalla. Vuelva a pulsarla para que el menú desaparezca.

⑤ Tecla ENTER

Introduce los ajustes de los elementos del sistema de menús.

⑥ Tecla RESET

Restaura el valor definido de fábrica de un elemento. Esta tecla funciona cuando el menú o un elemento de ajuste se muestra en pantalla.

⑦ Teclas de flecha (↑/↓/←/→)

Se emplean para seleccionar el menú o para realizar ajustes.

⑧ Tecla DP (Fase de puntos)

Ajusta la fase de puntos al recibirse una señal del ordenador.

⑨ Teclas VOLUME +/-

Ajustan el volumen de los altavoces incorporados y el nivel de salida de la toma AUDIO OUT.

+ : Aumenta el volumen.

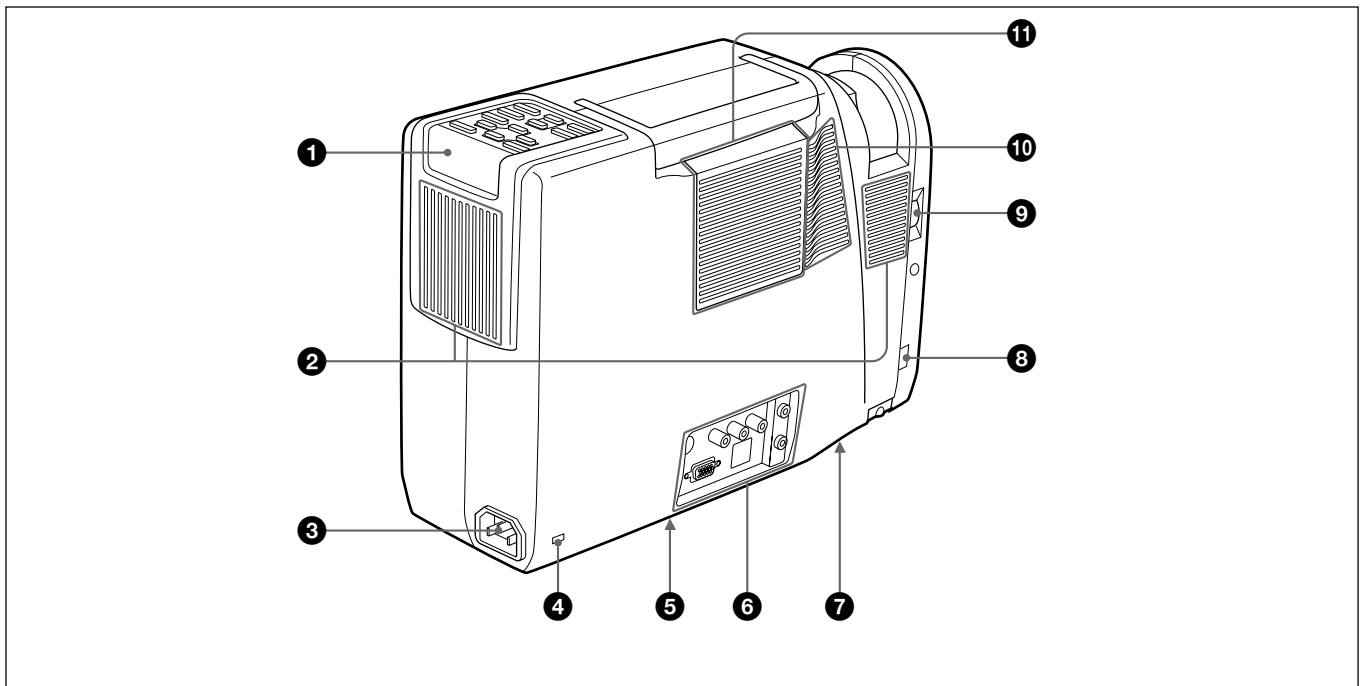
- : Disminuye el volumen.

⑩ Tecla LIGHT

Activa la luz de fondo (naranja) de las teclas del panel de control al activar la alimentación. Vuelva a pulsarla para desactivar la luz de fondo.

Ubicación y función de los controles

Parte posterior/derecha/inferior



1 Detector posterior de control remoto

2 Orificios de ventilación (exhaustación)

3 Clavija AC IN

Conecta el cable de alimentación de CA suministrado.

4 Bloqueo de seguridad

Se conecta a un cable opcional de seguridad (Kensington).

El bloqueo de seguridad corresponde al sistema de seguridad "MicroSaver" de Kensington.

Si desea realizar algún comentario, póngase en contacto en la siguiente dirección

Kensington
2853 Campus Drive, San Mates, CA 94403
EE.UU.

Tel: 800-535-4242: extensión 3348

Dirección en Internet:

<http://www.kensington.com/>

5 Interruptor de terminación de 75 ohmios (parte inferior)

Suele ajustarse en ON. Ajústelo en OFF si el proyector está conectado a un ordenador o un monitor.

6 Panel de conectores

Para obtener información, consulte la página 12 (ES).

7 Cubierta de la lámpara (parte inferior)

8 Botón de ajustador

9 Dial del obturador del objetivo

Gire el dial hacia arriba para abrir el obturador del objetivo.

10 Altavoz derecho

11 Orificios de ventilación (aspiración)/cubierta del filtro de aire

Notas

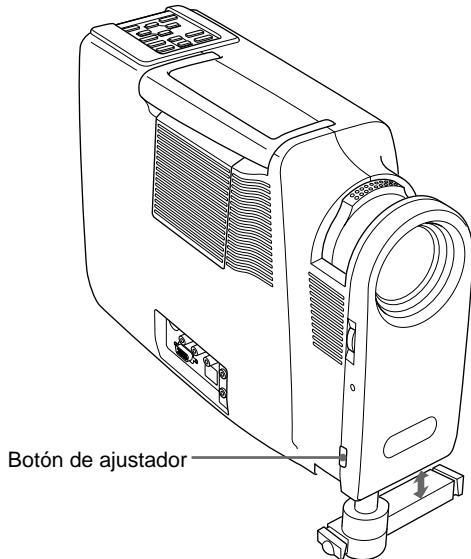
- No sitúe nada junto a los orificios de ventilación, ya que puede producirse recalentamiento interno.
- No sitúe la mano ni objetos cerca de los orificios de ventilación, ya que el aire sale caliente.

Cómo utilizar el ajustador

Para ajustar la altura

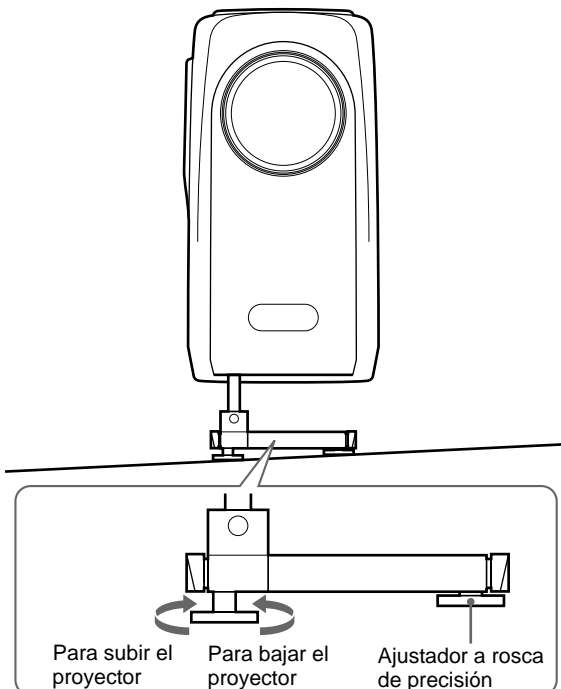
Mientras levanta el proyector, ajuste la altura de forma que éste se nivele.

Pulse el botón de ajustador mientras levanta el proyector para ajustar la altura.



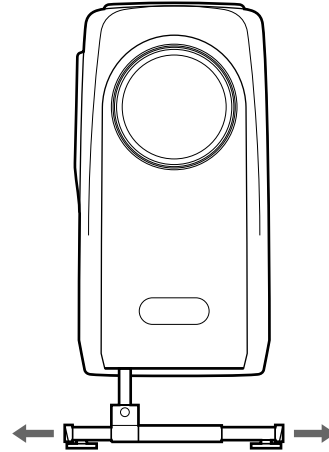
Los dos ajustadores a rosca de precisión vienen equipados con el proyector.

En cuanto a los ajustadores a rosca, gírelos para realizar ajustes de precisión.



Para instalar el proyector firmemente

El ajustador puede sacarse hacia fuera para instalar el proyector firmemente.

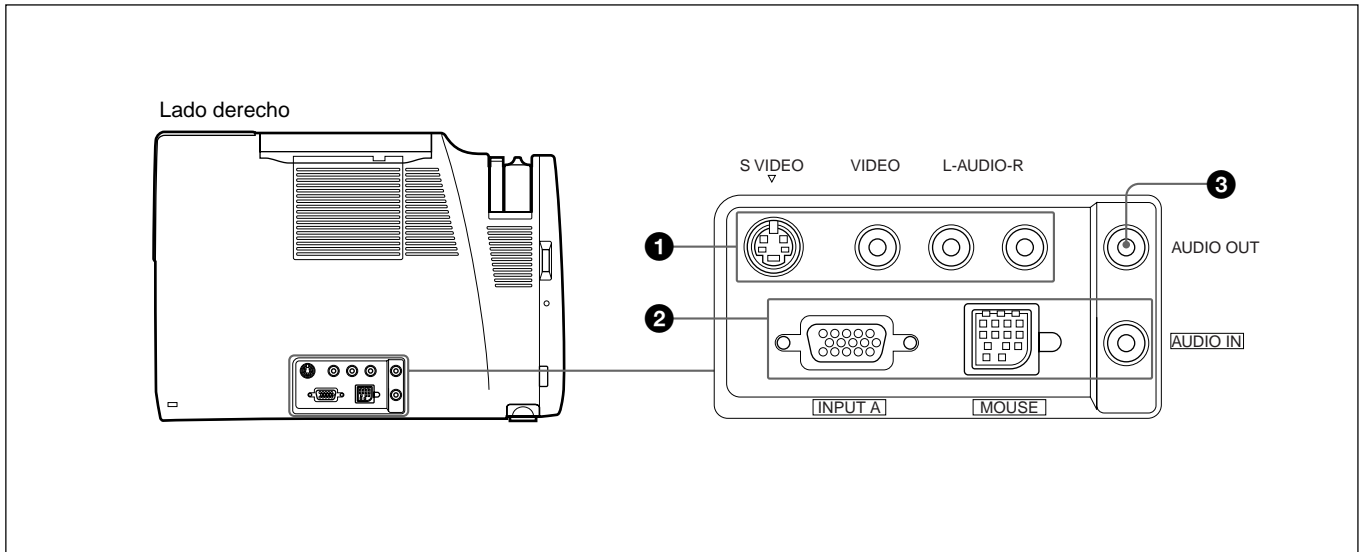


Notas

- Tenga cuidado para que el proyector no caiga sobre sus dedos.
- No ejerza excesiva presión sobre la parte superior del proyector con los ajustadores fuera.
- Si el ajustador no está desplegado hacia los lados derecho e izquierdo del proyector, es posible que la unidad no se equilibre correctamente.

Ubicación y función de los controles

Panel de conectores



❶ Conector de entrada de vídeo/audio

Conéctelo a un equipo de vídeo externo, como una videograbadora.

S VIDEO (mini DIN de 4 pines): Conéctelo a la salida de vídeo S (salida de vídeo Y/C) de un equipo de vídeo.

VIDEO (tipo fonográfico): Conéctelo a la salida de vídeo compuesta de un equipo de vídeo.

Nota

Si conecta un equipo de vídeo a las tomas S VIDEO y VIDEO, se seleccionará la señal de la toma S VIDEO. Al proyectar la imagen mediante la toma VIDEO, asegúrese de no conectar ningún cable a la toma S VIDEO.

Tomas L (MONO)/R de entrada de AUDIO (tipo fonográfico): Conéctelas a la salida de audio de un equipo. Para equipos estéreo, utilice las tomas L y R; para equipos monofónicos, utilice la toma L (MONO) solamente.

❷ Conector INPUT-A

Conéctelo a un equipo externo, como un ordenador. Puede controlar la señal de ratón con el mando a distancia.

INPUT A (HD D-sub de 15 pines, hembra):

Conéctelo a la salida de monitor de un ordenador mediante el cable suministrado. Al introducir una señal de componente, utilice el cable opcional.

MOUSE (13 pines): Conéctelo al puerto de ratón de un ordenador para controlar la función de ratón; para ello, utilice el cable de ratón suministrado.

AUDIO IN (minitoma estéreo): Conéctela a la salida de audio de un ordenador para recibir la señal de audio.

❸ Toma AUDIO OUT (minitoma estéreo)

Conéctela a altavoces activos externos.

El volumen de los altavoces puede controlarse mediante las teclas VOLUME del mando a distancia o del panel de control.

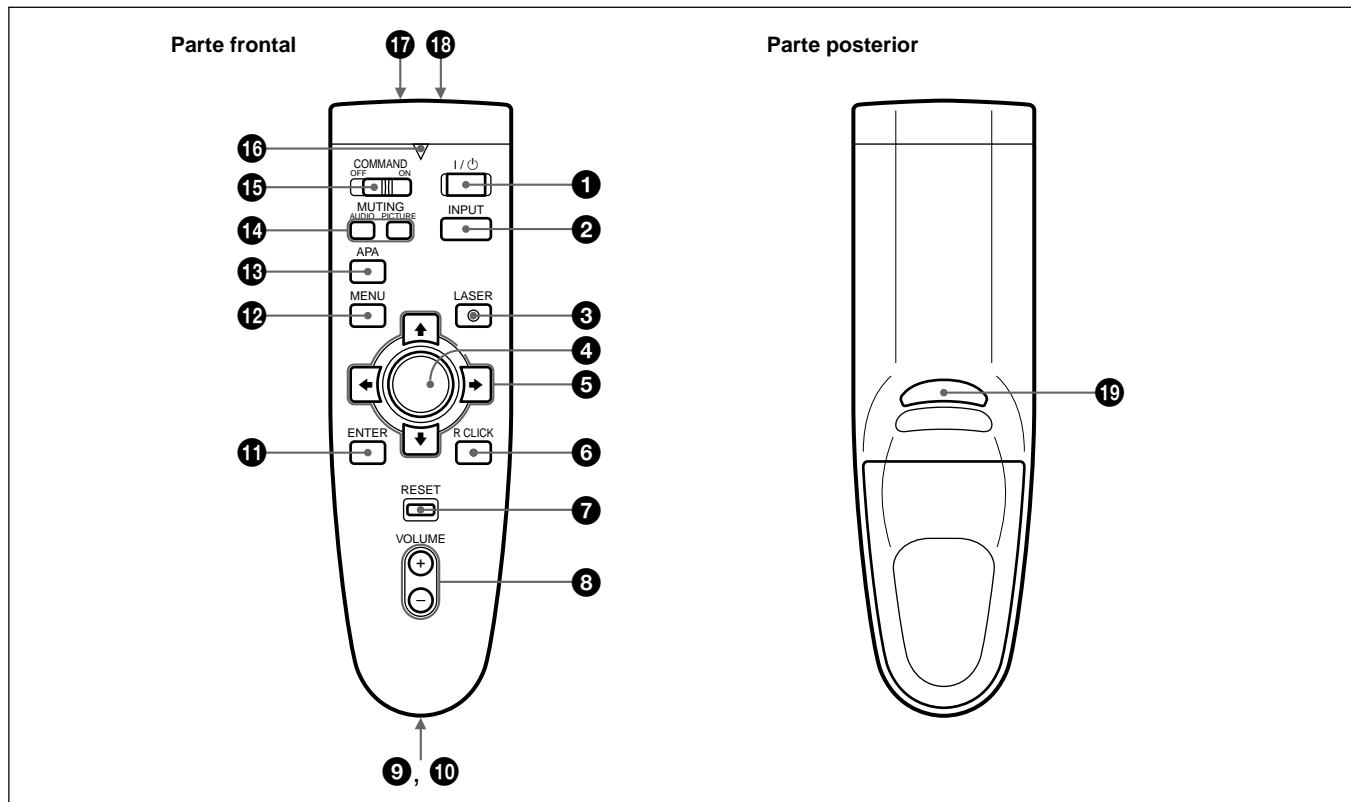
Mando a distancia

Las teclas con los mismos nombres a las del panel de control funcionan igual.
Puede controlar con el mando a distancia un ordenador conectado.

Para más información, consulte "Conexión con un ordenador" en la página 16 (ES).

Notas sobre el haz láser

- No mire al transmisor láser.
- No oriente el láser hacia personas.



❶ Tecla I / ⏻

❷ Tecla INPUT

❸ Tecla LASER

Emite el haz láser del transmisor al pulsar esta tecla.

❹ Mando universal

Funciona como el ratón de un ordenador conectado a la unidad.

❺ Teclas de flecha (↑/↓/←/→)

❻ Tecla R CLICK

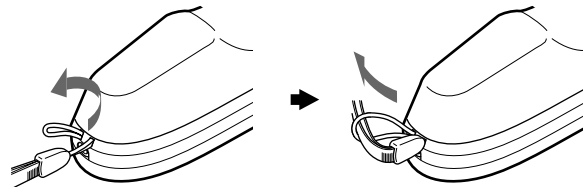
Funciona como el botón derecho de un ratón. Si se conecta a un ordenador Macintosh¹⁾, la tecla R CLICK funciona como un botón de ratón.

❼ Tecla RESET

❽ Teclas VOLUME +/-

❾ Compartimiento para el asa

Permite fijar el asa suministrada.



(Continúa)

1) Macintosh es una marca comercial registrada de Apple Computer, Inc.

Ubicación y función de los controles

10 Toma CONTROL S OUT (minitoma estéreo)

Esta toma no funciona con esta unidad.

Nota

El mando a distancia no funcionará si el cable está conectado a esta toma.

11 Tecla ENTER

12 Tecla MENU

13 Tecla APA (Alineación automática de pixeles)

Esta tecla no funciona con esta unidad.

14 Teclas MUTING

Desactivan la imagen y el sonido.

PICTURE: Desactiva la imagen. Vuelva a pulsarla para recuperar la imagen.

AUDIO: Desactiva el sonido de los altavoces y de la toma AUDIO OUT. Vuelva a pulsarla o pulse la tecla VOLUME + para recuperar el sonido.

15 Interruptor COMMAND ON/OFF

Si ajusta este interruptor en OFF, no funcionará ninguna tecla del mando a distancia. De esta forma, se ahorra la energía de las pilas.

16 Indicador de transmisión

Se ilumina al pulsar alguna tecla del mando a distancia.

Este indicador no se ilumina cuando utilice el puntero láser.

17 Transmisor de rayos infrarrojos

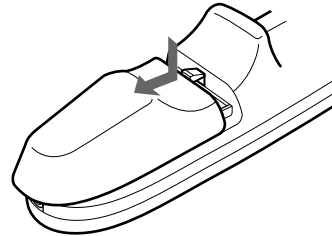
18 Transmisor láser

19 Tecla L CLICK

Funciona como el botón izquierdo de un ratón. Si se conecta a un ordenador Macintosh, la tecla L CLICK funcionará como un botón de ratón.

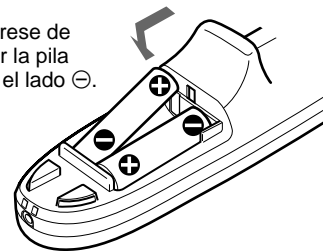
Instalación de las pilas

1 Empuje y deslice la tapa para abrirla.



2 Instale dos pilas tamaño AA (R6) (suministradas) con la polaridad correcta.

Asegúrese de instalar la pila desde el lado ⊖.



3 Vuelva a colocar la tapa.

Notas sobre las pilas

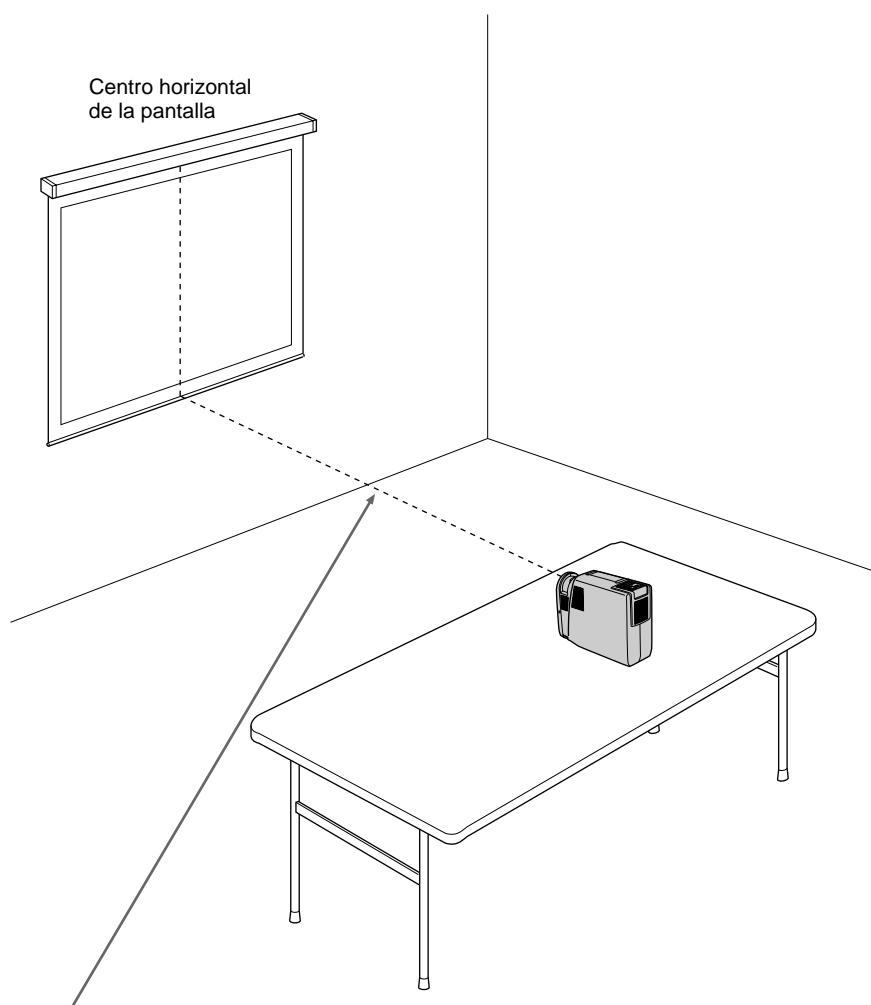
- Asegúrese de que la orientación de las pilas es correcta al insertarlas.
- No mezcle pilas usadas con nuevas, ni diferentes tipos de pilas.
- Si no va a utilizar el mando a distancia durante mucho tiempo, extraiga las pilas para evitar daños por fugas. Si se producen fugas, extraiga las pilas, seque el compartimiento de éstas y sustituya las pilas por otras nuevas.

Notas sobre el funcionamiento del mando a distancia

- Compruebe que no haya nada que obstruya el haz de rayos infrarrojos entre el mando a distancia y el detector de control remoto del proyector.
- El margen de operación está limitado. Cuanto menor sea la distancia entre el mando a distancia y el proyector, mayor será el ángulo de control del mando a distancia sobre el proyector.

Instalación del proyector

En esta sección se describe cómo instalar el proyector.



La distancia entre el objetivo y la pantalla varía en función del tamaño de ésta. Emplee la siguiente tabla como referencia.

Unidad: m (pies)

Tamaño de la pantalla (pulgadas)	40	60	80	100	120	150	
Distancia	Mínima	1,4 (4,6)	2,2 (7,1)	2,9 (9,5)	3,6 (11,9)	4,4 (14,4)	5,5 (18,1)
	Máxima	1,6 (5,4)	2,5 (8,1)	3,3 (10,9)	4,2 (13,7)	5,0 (16,5)	6,3 (20,6)

Para obtener información detallada sobre las medidas de instalación, consulte la página 28 (ES).

- Si se introduce la señal VGA, el tamaño de la imagen será menor en un 20%.
- Si se introduce la señal de modo de 16 pulgadas de Macintosh (832 × 624), la imagen exterior (32 puntos (horizontal) /24 líneas (vertical)) no aparecerá.
- Si se introduce la señal XGA, la resolución se comprimirá al formato 797 × 598.

Conexión con un ordenador

En esta sección se describe cómo conectar el proyector con un ordenador. Para obtener información detallada sobre cómo conectar una videgrabadora o un equipo componente, consulte la página 18 (ES).

Si conecta el proyector a un ordenador, podrá controlar el ratón de éste mediante el mando a distancia.

Las teclas R/L CLICK y el mando universal funcionan de la siguiente forma.

Nota

Compruebe que no haya nada que obstruya el haz de rayos infrarrojos entre el mando a distancia y el detector de control remoto del proyector.

Tecla y mando universal	Función	
	IBM PC/AT ^{a)} compatible, serie	Macintosh
R CLICK (parte frontal)	Botón derecho	Botón de ratón
L CLICK (parte posterior)	Botón izquierdo	Botón de ratón
Mando universal	Se corresponde con los movimientos del ratón	

a) IBM PC/AT es una marca comercial registrada de International Business Machines Corporation, EE.UU..

Consulte también el manual de instrucciones del equipo que vaya a conectar.

Notas

- Esta unidad acepta las señales VGA, SVGA y XGA. No obstante, se recomienda ajustar el modo de salida del ordenador en el modo SVGA para el monitor externo.
- Si ajusta el ordenador (como uno portátil tipo IBM PC/AT compatible) para que envíe la señal a la pantalla del mismo y al monitor externo, la imagen de éste puede no aparecer correctamente. En tal caso, ajuste el modo de salida del ordenador para que envíe la señal sólo al monitor externo.

Para más información, consulte el manual de instrucciones suministrado con el ordenador.

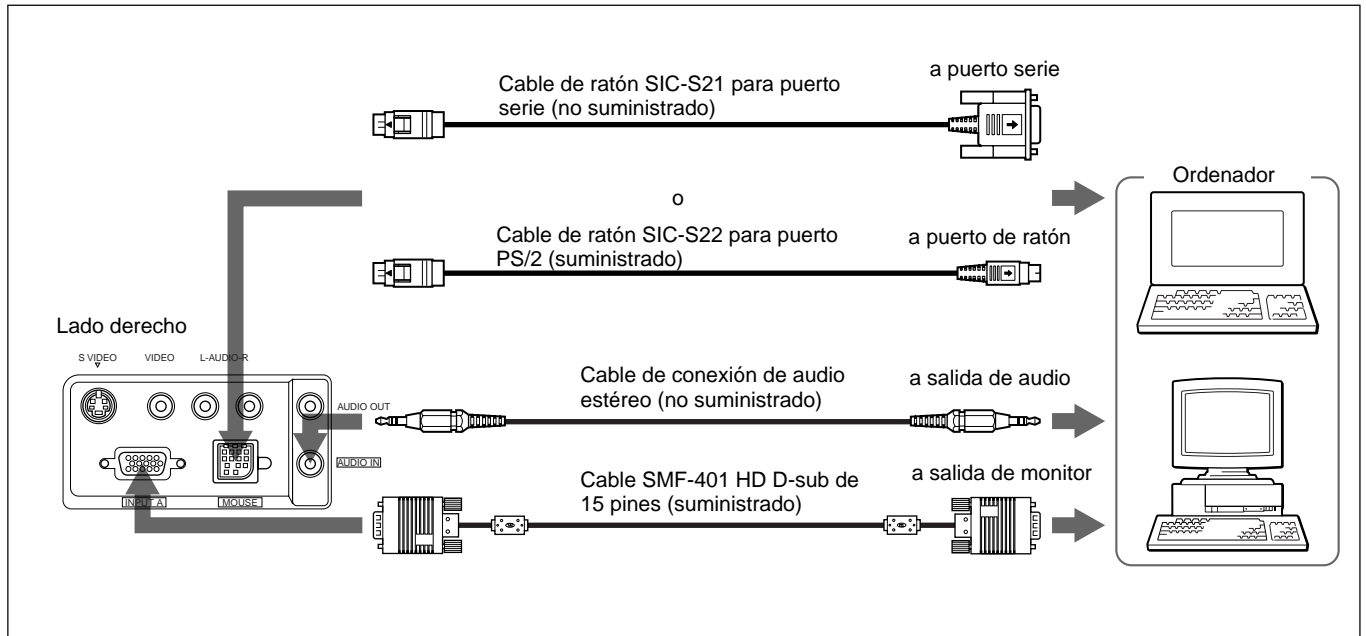
Al realizar conexiones, asegúrese de:

- apagar todos los equipos antes de realizar cualquier conexión.
- utilizar los cables adecuados para cada conexión.
- insertar los enchufes de los cables correctamente. Si no inserta los enchufes por completo, puede producirse ruido. Para desconectar un cable, asegúrese de tirar del enchufe, no del propio cable.

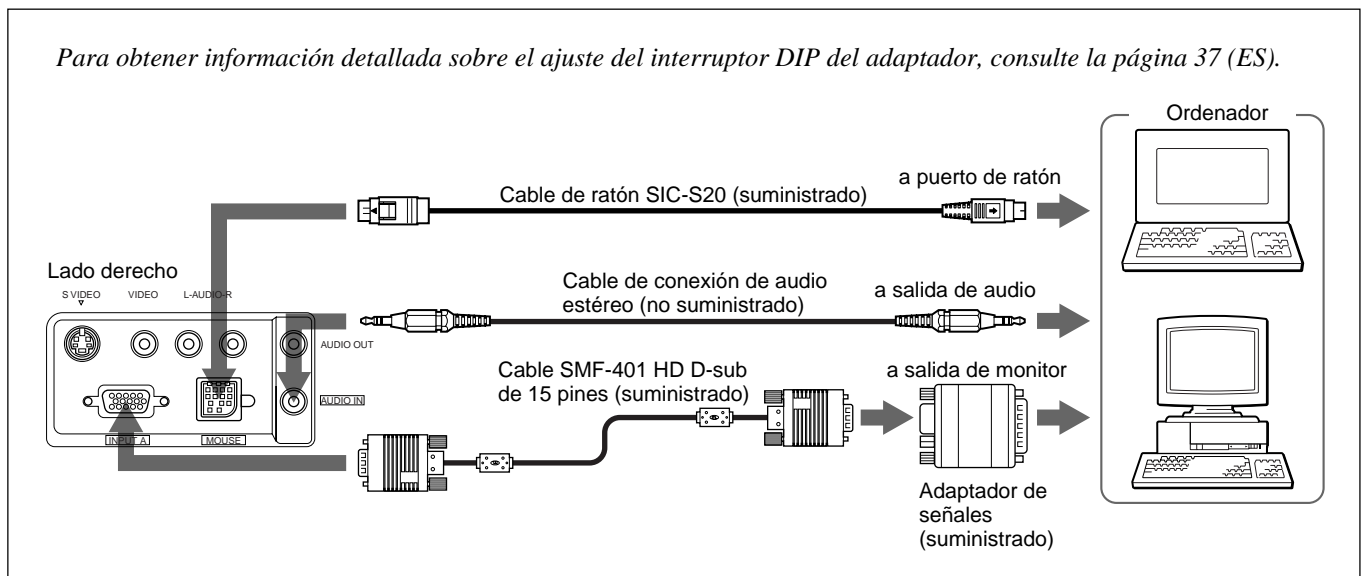
Nota

Los cables de ratón suministrados pueden no funcionar correctamente en función del ordenador.

Si se conecta con un ordenador compatible IBM PC/AT



Si se conecta con un ordenador Macintosh



Conexión con una videograbadora/equipo componente

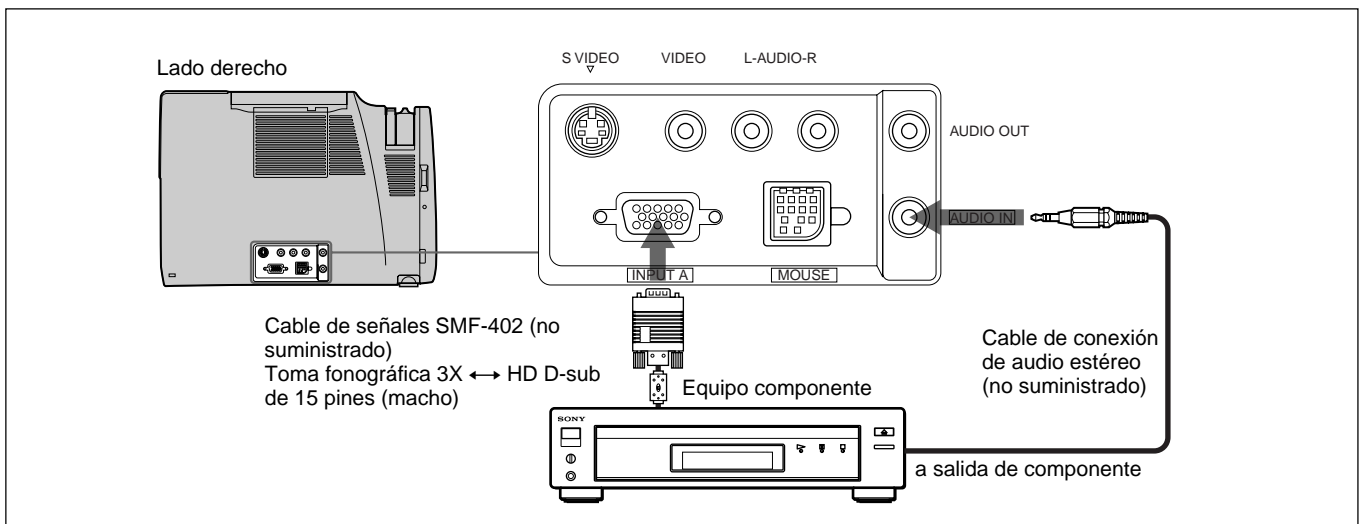
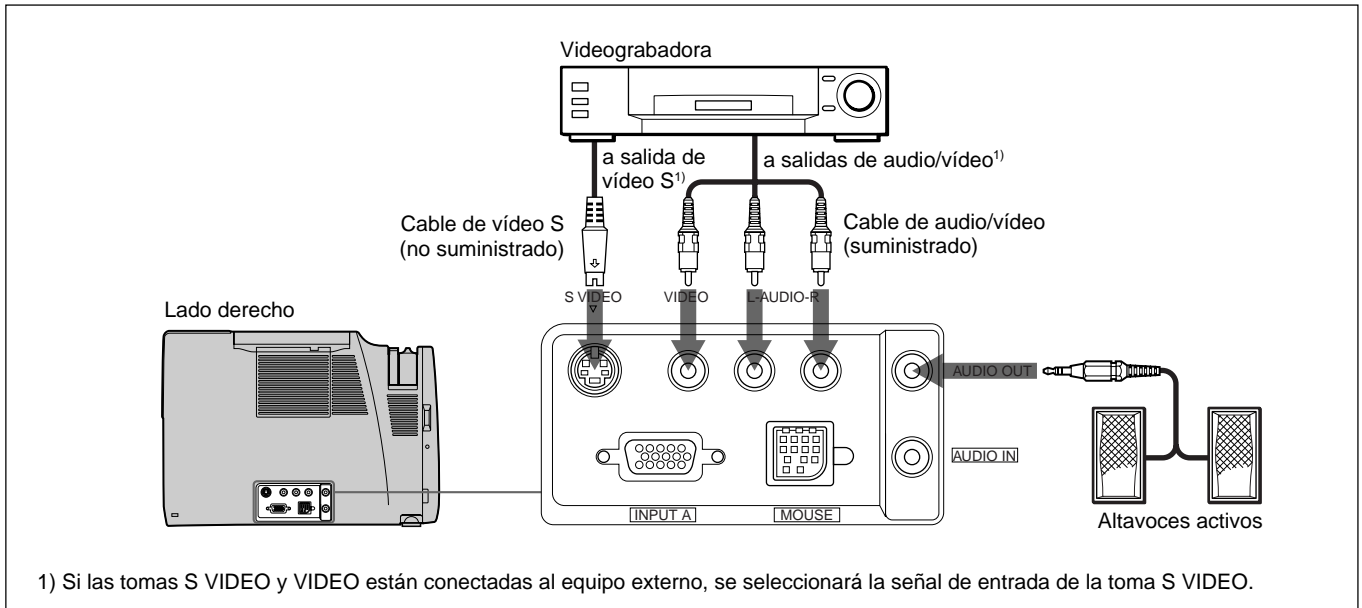
En esta sección se describe cómo conectar el proyector con una videograbadora, altavoces activos externos y equipos componente.

Para obtener información detallada sobre cómo conectar un ordenador, consulte la página 16 (ES).

Consulte también los manuales de instrucciones del equipo que vaya a conectar.

Al realizar conexiones, asegúrese de:

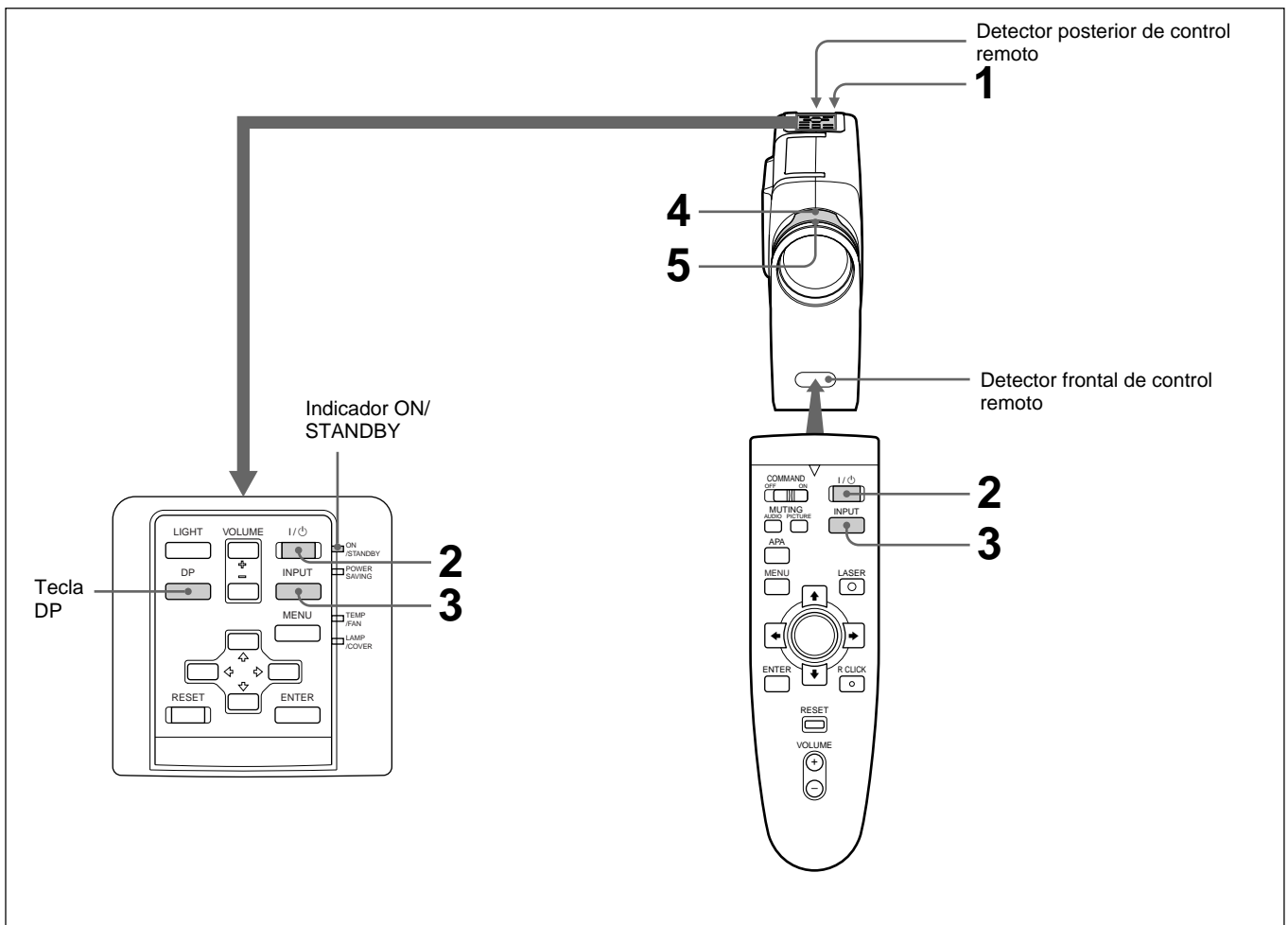
- apagar todos los equipos antes de realizar cualquier conexión.
- utilizar cables adecuados para cada conexión.
- insertar los enchufes de los cables correctamente. Si no inserta los enchufes por completo, puede producirse ruido. Para desconectar un cable, asegúrese de tirar del enchufe, no del propio cable.



Nota


Ajuste la relación de aspecto mediante ASPECTO en el menú AJUS ENTRAD en función de la señal de entrada.

Proyección



- 1** Una vez conectados todos los equipos por completo, enchufe el cable de alimentación de CA en la toma de corriente.

El indicador ON/STANDBY se ilumina en color rojo y el proyector entra en el modo de espera.

- 2** Pulse la tecla I /  del mando a distancia o del panel de control.

El indicador ON/STANDBY se ilumina en color verde.

- 3** Encienda el equipo conectado al proyector. Pulse la tecla INPUT del mando a distancia o del panel de control para seleccionar la fuente de entrada.

ENTRAD A: Selecciona las señales de audio y vídeo introducidas desde el conector INPUT-A.

VIDEO: Selecciona las señales de audio y vídeo introducidas desde el conector de entrada de vídeo/audio.
(Si realiza la conexión a las tomas S VIDEO y VIDEO, se seleccionará la señal de la toma S VIDEO.)

(Continúa)

4 Gire el anillo de zoom para ajustar el tamaño de la imagen.

5 Gire el anillo de enfoque para ajustar el enfoque.

Nota

No mire al objetivo cuando la lámpara del proyector esté encendida.

Para	Pulse
Ajustar el volumen	las teclas VOLUME +/- del panel de control o del mando a distancia.
Desactivar el sonido	la tecla AUDIO MUTING del mando a distancia. Para recuperar el sonido, vuelva a pulsar la tecla AUDIO MUTING o pulse la tecla VOLUME +.
Desactivar la imagen	la tecla PICTURE MUTING del mando a distancia. Para recuperar la imagen, vuelva a pulsar la tecla PICTURE MUTING.

Para obtener imágenes con la mayor nitidez posible

Es posible ajustar la fase de puntos al recibirse señales del ordenador.
Para más información sobre la FASE PUNTO, consulte la página 25 (ES).

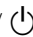
1 Pulse la tecla DP del panel de control.

2 Pulse la tecla ◀/▶ del mando a distancia o del panel de control para ajustar la fase de puntos.

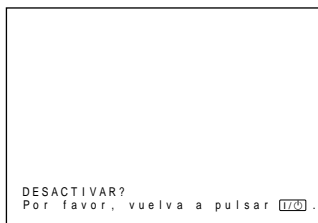
Ajuste la imagen donde aparezca con mayor nitidez.

También es posible ajustar la fase de puntos mediante el menú.
Para más información, consulte "Menú AJUS ENTRAD" en la página 25 (ES).


Para desactivar la alimentación


- 1 Pulse la tecla I /  del mando a distancia o del panel de control.


Aparecerá el siguiente mensaje para confirmar si desea desactivar la alimentación.



Nota


El mensaje desaparecerá si pulsa cualquier tecla, excepto I / , o si no pulsa ninguna durante cinco segundos.

- 2 Vuelva a pulsar la tecla I /  del mando a distancia o del panel de control.

El indicador ON/STANDBY parpadea en color verde y el ventilador sigue en funcionamiento durante aproximadamente 90 segundos para reducir el recalentamiento interno. Igualmente, el indicador ON/STANDBY parpadea rápidamente durante los primeros 30 segundos. Durante este espacio de tiempo, no será posible volver a activar la alimentación con la tecla I / .

- 3 Desenchufe el cable de alimentación de CA de la toma de corriente una vez que el ventilador se haya detenido y que el indicador ON/STANDBY se ilumine en color rojo.

Si no puede confirmar el mensaje en pantalla

Si no puede confirmar el mensaje en pantalla en una determinada condición, puede desactivar la alimentación manteniendo pulsada la tecla I /  del mando a distancia o del panel de control durante aproximadamente un segundo.

Nota

No desenchufe el cable de alimentación de CA mientras el ventilador se encuentre en funcionamiento, ya que en caso contrario, dicho ventilador se detendrá aunque el recalentamiento interno sea alto, pudiendo producirse averías en el proyector.

Uso del MENU

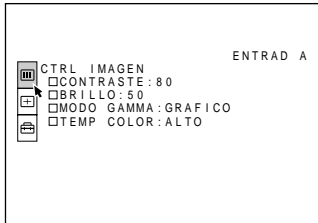
El proyector está equipado con un menú en pantalla para realizar diversos ajustes.

Para seleccionar el idioma empleado en el menú, consulte la página 27 (ES).

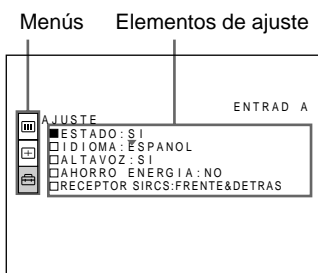
1 Pulse la tecla MENU.

Aparece la pantalla de menú.

El menú actualmente seleccionado aparece resaltado en color azul.



2 Emplee la tecla \uparrow o \downarrow para seleccionar un menú y, a continuación, pulse la tecla \rightarrow o ENTER. Aparece el menú seleccionado.



3 Realice los ajustes de los elementos.

Para obtener información detallada sobre el ajuste de elementos por separado, consulte las páginas del menú correspondiente.

Para que la pantalla de menú desaparezca

Pulse la tecla MENU.

La pantalla de menú desaparecerá automáticamente si no pulsa ninguna tecla durante un minuto.

Para recuperar los valores ajustados de fábrica de elementos ya ajustados

Pulse la tecla RESET.

La pantalla muestra “Completado.” y los ajustes que aparecen en pantalla recuperarán los valores ajustados de fábrica.

Los elementos que pueden restaurarse son:

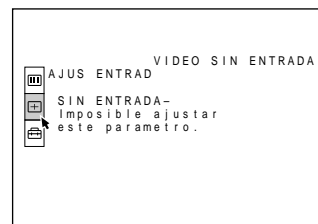
- “CONTRASTE”, “BRILLO”, “COLOR”, “TONALIDAD” y “NITIDEZ” del menú CTRL IMAGEN
- “FASE PUNTO”, “TAMANO” y “DESPLAZ” del menú AJUS ENTRAD.

Acerca de la memoria de los ajustes

Los ajustes se almacenan automáticamente en la memoria del proyector.

Si no se introduce ninguna señal

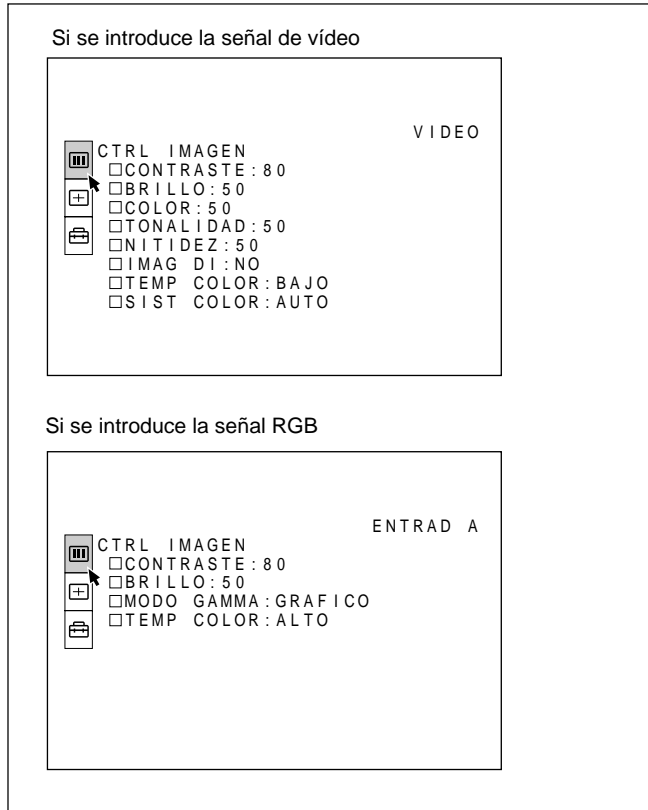
Si no hay ninguna señal de entrada, la pantalla aparecerá en color azul y mostrará “SIN ENTRADA- Imposible ajustar este parametro”, y no será posible ajustar los elementos.



Menú CTRL IMAGEN

El menú CTRL (control) IMAGEN se utiliza para ajustar la imagen.

Los elementos que no pueden ajustarse en función de la señal de entrada no aparecen en el menú.



Operación

1. Seleccione un elemento

Emplee la tecla **↑** o **↓** para seleccionar el elemento y, a continuación, pulse la tecla **→** o **ENTER**.

2. Ajuste un elemento

- Al cambiar el nivel de ajuste:
Para que el número aumente, pulse la tecla **↑** o **→**.
Para que el número disminuya, pulse la tecla **↓** o **←**.
Pulse la tecla **ENTER** para recuperar la pantalla original.
- Al cambiar el ajuste:
Pulse la tecla **↑** o **↓** para cambiar el ajuste.
Pulse la tecla **ENTER** o **←** para recuperar la pantalla original.

CONTRASTE

Ajusta el contraste de la imagen.



Cuanto mayor sea el ajuste, mayor será el contraste.
Cuanto menor sea el ajuste, menor será el contraste.

BRILLO

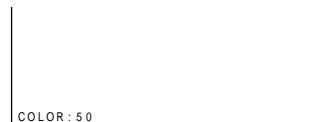
Ajusta el brillo de la imagen.



Cuanto mayor sea el ajuste, mayor será el brillo.
Cuanto menor sea el ajuste, menor será el brillo.

COLOR

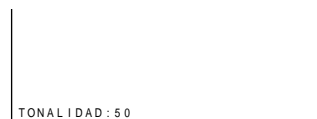
Ajusta la intensidad del color.



Cuanto mayor sea el ajuste, mayor será la intensidad.
Cuanto menor sea el ajuste, menor será la intensidad.

TONALIDAD

Ajusta los tonos de la piel.



Cuanto mayor es el ajuste, la imagen adquiere un tono verdoso.

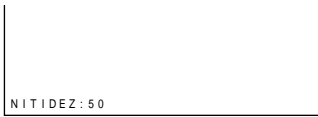
Cuanto menor es el ajuste, la imagen adquiere un tono púrpura.

(Continúa)

Menú CTRL IMAGEN

NITIDEZ

Ajusta la nitidez de la imagen.

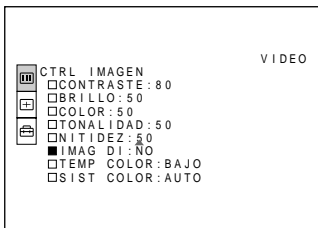


Cuanto mayor sea el ajuste, mayor será la nitidez de la imagen.

Cuanto menor sea el ajuste, la imagen aparecerá con mayor suavidad.

IMAG DI (dinámica)

Enfatiza el color negro.



SI: Enfatiza el color negro para producir imágenes “dinámicas” y marcadas.

NO: Reproduce con precisión las partes oscuras de la imagen, de acuerdo con la señal fuente.

MODO GAMMA

Selecciona una curva de corrección gamma.

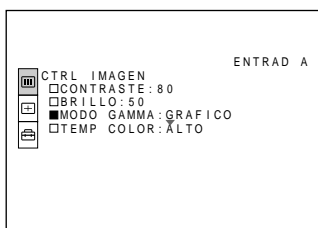
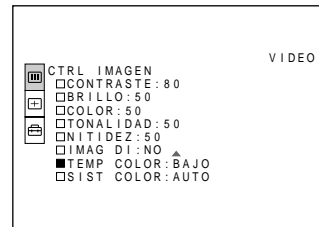


GRAFICO: Mejora la reproducción de tonos medios. Es posible reproducir fotografías en tonos naturales.

TEXTO: Contrasta el blanco y el negro. Resulta adecuado para imágenes que contengan mucho texto.

TEMP COLOR

Ajusta la temperatura del color.

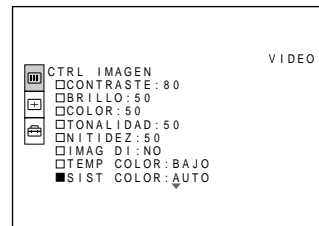


ALTO: Hace que el color blanco adquiera un tono azulado.

BAJO: Hace que el color blanco adquiera un tono rojizo.

SIST (sistema) COLOR

Selecciona el sistema de color de la señal de entrada.



Normalmente, ajústelo en AUTO.

Si la imagen se distorsiona o aparece sin color, seleccione el sistema de color en función de la señal de entrada.

Señales de entrada y elementos de ajuste/ajustables

Elemento	Señal de entrada			
	Vídeo o vídeo S (Y/C)	Componente	RGB	Blanco y negro
CONTRASTE	●	●	●	●
BRILLO	●	●	●	●
COLOR	●	●	–	–
TONALIDAD	● (sólo NTSC3.58/ 4.43)	–	–	–
NITIDEZ	●	●	–	●
IMAG DI	●	●	–	●
MODO GAMMA	–	–	●	–
TEMP COLOR	●	●	●	●
SIST COLOR	●	–	–	●

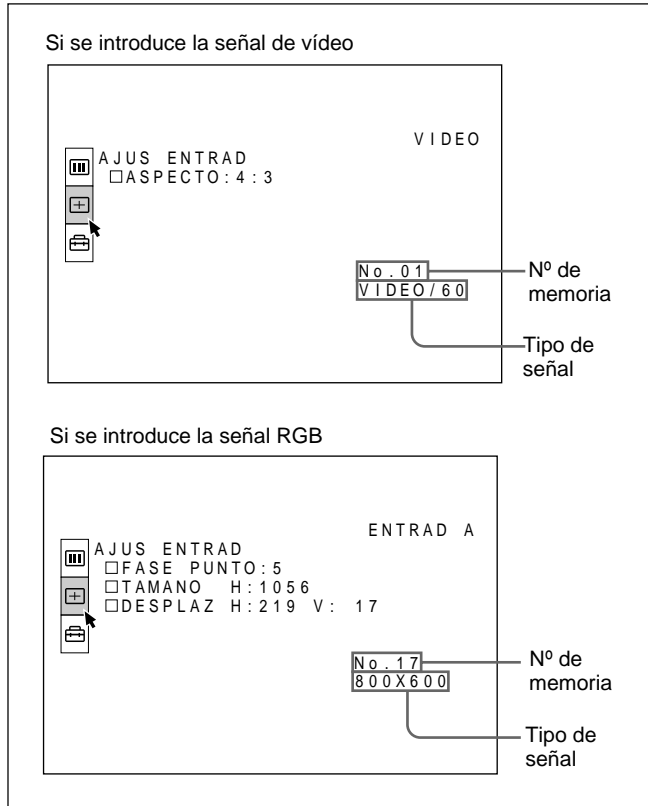
● : Ajustable/puede ajustarse

– : No ajustable/no puede ajustarse

Menú AJUS ENTRAD

El menú AJUS ENTRAD se utiliza para ajustar la señal de entrada.

Los elementos que no pueden ajustarse en función de la señal de entrada no aparecen en el menú.



Operación

1. Seleccione un elemento

Utilice la tecla \uparrow o \downarrow para seleccionar el elemento y, a continuación, pulse la tecla \rightarrow o ENTER.

2. Ajuste un elemento

- Al cambiar el nivel de ajuste:
Para que el número aumente, pulse la tecla \uparrow o \rightarrow .
Para que el número disminuya, pulse la tecla \downarrow o \leftarrow .
Pulse la tecla ENTER para recuperar la pantalla original.
- Al cambiar el ajuste:
Pulse la tecla \uparrow o \downarrow para cambiar el ajuste.
Pulse la tecla ENTER o \leftarrow para recuperar la pantalla original.

FASE PUNTO

Ajusta la fase de puntos del panel LCD y la señal introducida desde el conector INPUT A.

Ajuste la imagen donde aparezca con mayor nitidez.



Es posible mostrar directamente el anterior menú con la tecla DP del panel de control.

TAMANO

Ajusta el tamaño horizontal de la imagen introducida desde el conector INPUT A.



Cuanto mayor sea el ajuste, mayor será el tamaño horizontal de la imagen.

Cuanto menor sea el ajuste, menor será el tamaño horizontal de la imagen. Ajuste el parámetro en función de los puntos de la señal de entrada. Para obtener información detallada sobre el valor adecuado para las señales predeterminadas, consulte la página 26 (ES).

DESPLAZ

Ajusta la posición de la imagen introducida desde el conector INPUT A.



H ajusta la posición horizontal de la imagen.

V ajusta la posición vertical de la imagen.

Al aumentar el ajuste de H, la imagen se desplazará a la derecha, mientras que al disminuir, la imagen se desplazará a la izquierda.

Al aumentar el ajuste de V, la imagen se desplazará hacia arriba, mientras que al disminuir, la imagen se desplazará hacia abajo.

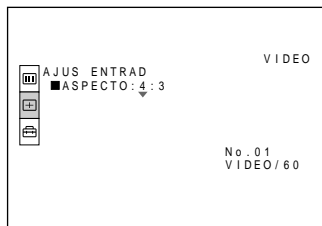
Utilice la tecla \leftarrow o \rightarrow para ajustar la posición horizontal, y la tecla \uparrow y \downarrow para la posición vertical.

(Continúa)

Menú AJUS ENTRAD

ASPECTO

Ajusta la relación de aspecto de la imagen. Al introducir la señal 16:9 (comprimida) de un equipo como un reproductor de DVD, ajústelo en 16:9.



- 4:3:** Si se introduce la imagen de relación de 4:3.
- 16:9:** Si se introduce la imagen de relación de 16:9 (comprimida).

Señales de entrada y elementos de ajuste/ajustables

Elemento	Señal de entrada			
	Vídeo o vídeo S (Y/C)	Componente	RGB	Blanco y negro
FASE PUNTO	–	–	●	–
TAMANO	–	–	●	–
DESPLAZ	–	–	●	–
ASPECTO	●	●	–	●

- : Ajustable/puede ajustarse
- : No ajustable/no puede ajustarse

Acerca del número de memoria predeterminado

Este proyector dispone de 22 tipos de datos predeterminados de señales de entrada para INPUT A (memoria predeterminada). El número de memoria de la señal de entrada actual y el tipo de señal aparecen al introducirse la señal predeterminada. Este proyector detecta automáticamente el tipo de señal. Si la señal está registrada en la memoria predeterminada, aparecerá una imagen adecuada en pantalla en función del tipo de señal. Es posible ajustar la imagen mediante el menú AJUS ENTRAD.

Este proyector también dispone de 20 tipos de memorias de usuario para INPUT A. Si se introduce una señal no predeterminada por primera vez, el número de memoria aparecerá como 00. Si la señal de entrada está ajustada en el menú AJUS ENTRAD, el ajuste mediante INPUT A se almacenará en el número de memoria 51 a 70. Si hay registradas más de 20 memorias de usuario para INPUT A, la memoria más reciente se almacenará automáticamente sobre la más antigua.

Señales predeterminadas

Número de memoria	Señal predeterminada	fH (kHz)	fV (Hz)	Sincronización	TAMANO
1	Vídeo 60 Hz	15,734	59,940	Neg H Neg V	
2	Vídeo 50 Hz	15,625	50,000	Neg H Neg V	
3	Componente 60 Hz	15,734	59,940	Neg H Neg V	
4	Componente 50 Hz	15,625	50,000	Neg H Neg V	
6	640 × 350 Modo VGA 1	31,469	70,086	Pos H Neg V	800
7	VGA VESA ^{a)} 85 Hz	37,861	85,080	Pos H Neg V	832
8	640 × 400 PC-9801 ^{b)} Normal	24,823	56,416	Neg H Neg V	848
9	Modo VGA 2	31,469	70,086	Neg H Pos V	800
10	VGA VESA 85 Hz	37,861	85,080	Neg H Pos V	832
11	640 × 480 Modo VGA 3	31,469	59,940	Neg H Neg V	800
12	Macintosh 13"	35,000	66,667	Neg H Neg V	864
13	VGA VESA 72 Hz	37,861	72,809	Neg H Neg V	832
14	VGA VESA 75 Hz	37,500	75,000	Neg H Neg V	840
15	VGA VESA 85 Hz	43,269	85,008	Neg H Neg V	832
16	800 × 600 SVGA VESA 56 Hz	35,156	56,250	Pos H Pos V	1024
17	SVGA VESA 60 Hz	37,879	60,317	Pos H Pos V	1056
18	SVGA VESA 72 Hz	48,077	72,188	Pos H Pos V	1040
19	SVGA VESA 75 Hz	46,875	75,000	Pos H Pos V	1056
20	SVGA VESA 85 Hz	53,674	85,061	Pos H Pos V	1048
21	832 × 624 Macintosh 16"	49,724	74,550	Neg H Neg V	1152
23	1024 × 768 XGA VESA 60 Hz	48,363	60,004	Neg H Neg V	1061
24	XGA VESA 70 Hz	56,476	70,069	Neg H Neg V	1048

- a) VESA es una marca comercial registrada de Video Electronics Standard Association.
- b) PC-98 es una marca comercial registrada de NEC Corporation.

Puesto que los datos se recuperan de la memoria predeterminada sobre las siguientes señales, es posible utilizar dichos datos predeterminados mediante el ajuste de TAMANO. Realice el ajuste con precisión ajustando DESPLAZ.

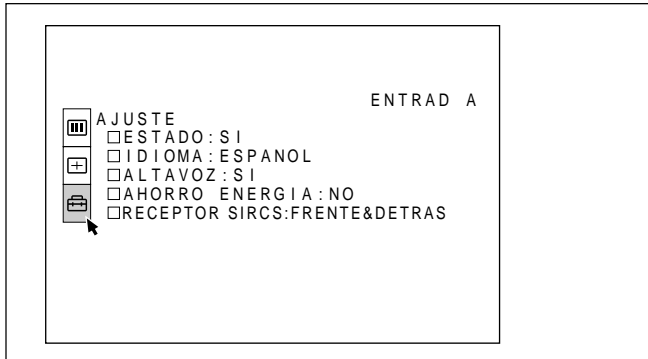
Señal	Número de memoria	TAMANO
Super Mac-2	23	1035
SGL-1	23	1041

Notas

- Si la relación de aspecto de la señal de entrada no es de 4:3, parte de la pantalla aparecerá en negro.
- Si se introduce la señal VGA, el tamaño de la imagen disminuirá en un 20%.
- Si se introduce la señal de modo de 16 pulgadas de Macintosh (832 × 624), la imagen exterior (32 puntos (horizontal)/24 líneas (vertical)) no aparecerá.
- Si se introduce la señal XGA, la resolución se comprimirá al formato 797 × 598.

Menú AJUSTE

El menú AJUSTE se utiliza para cambiar los ajustes del proyector.



Operación

1. Seleccione un elemento

Emplee la tecla \uparrow o \downarrow para seleccionar el elemento y pulse la tecla \rightarrow o ENTER.

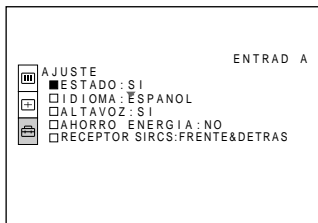
2. Cambie el ajuste

Pulse la tecla \uparrow o \downarrow para cambiar el ajuste.

Para recuperar la pantalla original, pulse la tecla ENTER o \leftarrow .

ESTADO (indicación en pantalla)

Define la indicación en pantalla.



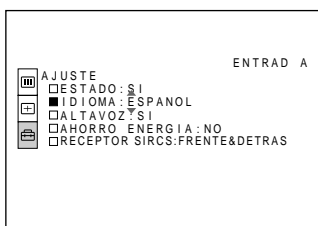
SI: Muestra todas las indicaciones en pantalla.

NO: Desactiva las indicaciones en pantalla, excepto los menús, el mensaje que aparece al desactivar la alimentación y mensajes de aviso.

Para obtener información detallada sobre los mensajes de aviso, consulte la página 34 (ES).

IDIOMA

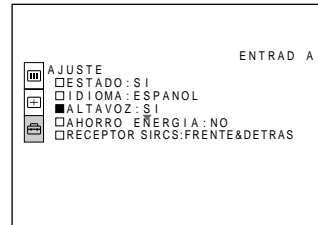
Selecciona el idioma empleado en el menú y en las indicaciones en pantalla.



Los idiomas disponibles son inglés, francés, alemán, italiano, español, japonés y chino.

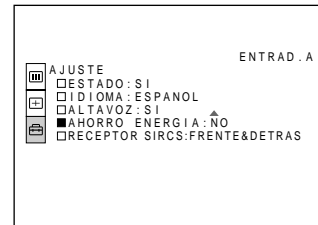
ALTAVOZ

Ajústelo en NO para desactivar el sonido de los altavoces internos. Si lo ajusta en NO, la pantalla mostrará “ALTAVOZ NO” al activar la alimentación.



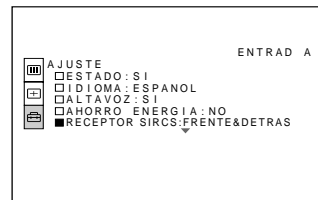
AHORRO ENERGIA

Si lo ajusta en SI, el proyector entrará en el modo de ahorro de energía si no se introduce ninguna señal durante 10 minutos.



RECEPTOR SIRCS

Selecciona los detectores de control remoto de la parte frontal y posterior del proyector.



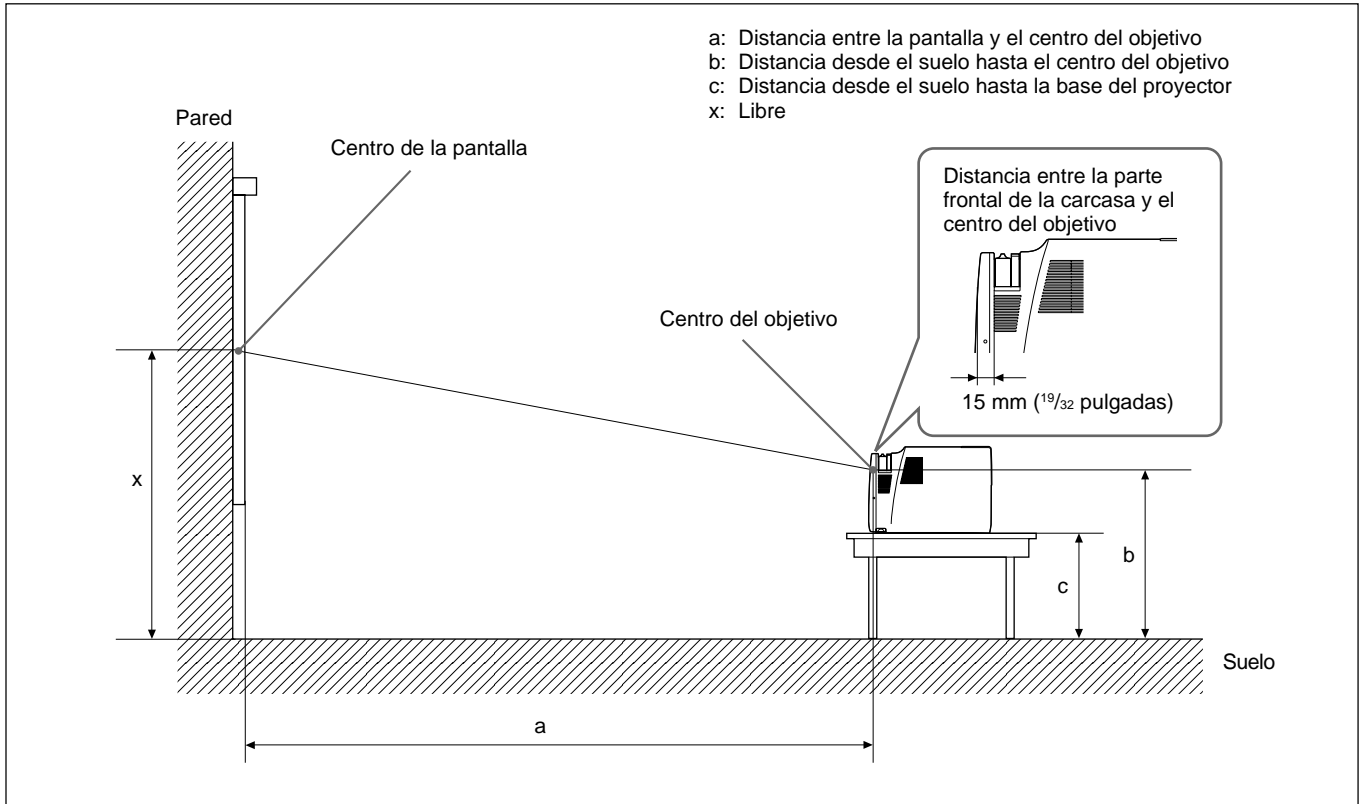
FRENTE&DETRAS: Activa los detectores frontal y posterior.

FRENTE: Activa sólo el detector frontal.

DETRAS: Activa sólo el detector posterior.

Ejemplo de instalación

No es posible instalar el proyector al revés, como por ejemplo en el techo. El tamaño de la imagen en pantalla cambia en función de la señal de entrada. Tenga en cuenta que la distancia de proyección también cambia en función del tamaño de la imagen.



Unidad: mm (pulgadas)

Tamaño de la pantalla (pulgadas)		40	60	80	100	120	150
a	Mínimo	1410 (55 5/8)	2160 (85 1/8)	2900 (114 1/4)	3640 (143 3/8)	4390 (172 7/8)	5500 (216 5/8)
	Máximo	1630 (64 1/4)	2480 (97 3/4)	3320 (130 3/4)	4170 (164 1/4)	5020 (197 11/16)	6290 (247 3/4)
b		x-265 (x-10 1/2)	x-398 (x-15 3/4)	x-530 (x-20 7/8)	x-663 (x-26 1/8)	x-795 (x-31 3/8)	x-994 (x-39 1/4)
c		x-423 (x-16 3/4)	x-556 (x-22)	x-688 (x-27 1/8)	x-821 (x-32 3/8)	x-953 (x-37 5/8)	x-1152 (x-45 3/8)

Para calcular la medida de instalación (unidad: mm)

SS: Diagonal del tamaño de la pantalla (pulgadas)

$$a \text{ (mínimo)} = \{(SS \times 32,83/0,9055) - 70,33\} \times 1,025$$

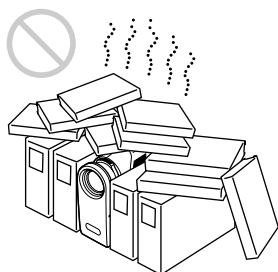
$$a \text{ (máximo)} = \{(SS \times 39,393/0,9055) - 70,15\} \times 0,975$$

$$b = x - (SS/0,9055 \times 6)$$

$$c = x - (SS/1,26 \times 6 + 158,3)$$

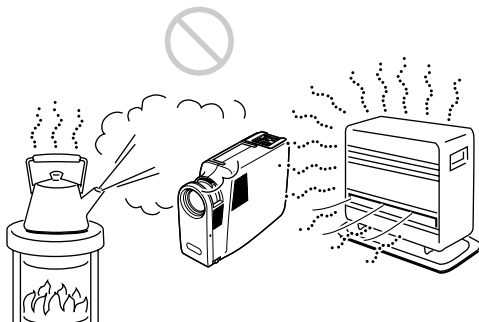
No instale el proyector en las siguientes situaciones. Estas instalaciones pueden producir fallos de funcionamiento o daños al proyector.

Falta de ventilación



- Con el fin de evitar el recalentamiento interno de la unidad, permita que reciba una ventilación adecuada de aire. No coloque la unidad sobre superficies (mantas, colchas, etc.) ni cerca de materiales (cortinas, tapices) que puedan bloquear los orificios de ventilación. Si se produce recalentamiento interno debido al bloqueo de los orificios, el sensor de temperatura se activará y se mostrará el mensaje “Temperatura alta! Desconex. en 1 min.”. La alimentación se desactivará automáticamente transcurrido un minuto.
- Deje un espacio superior a 30 cm (11 7/8 pulgadas) alrededor de la unidad.
- Procure que los orificios de ventilación no aspiren trozos pequeños de materiales, como trozos de papel.

Calor y humedad excesivos



- Evite instalar la unidad en un lugar donde la temperatura o la humedad sea demasiado alta, o donde la temperatura sea muy baja.
- Para evitar la condensación de humedad, no instale la unidad en un lugar donde la temperatura pueda aumentar rápidamente.

Polvo excesivo

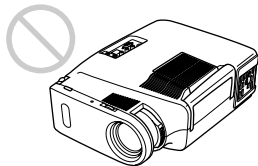


Evite instalar la unidad en un lugar donde haya mucho polvo. En caso contrario, el filtro de aire se obstruirá. Si el polvo bloquea el paso de aire a través del filtro, el calentamiento interno del proyector puede aumentar. Límpielo periódicamente.

Notas sobre la instalación

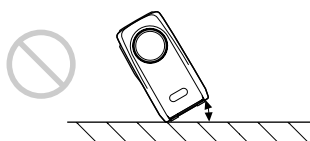
Realice lo siguiente.

No utilice la unidad en posición horizontal

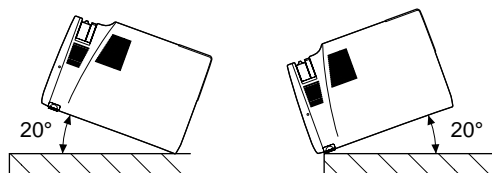


Evite utilizar la unidad mientras se encuentre en posición horizontal, ya que pueden producirse fallos de funcionamiento.

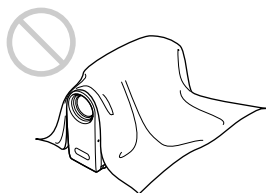
Empléela nivelada



Instale la unidad únicamente en el suelo. Evite utilizar la unidad con una inclinación hacia un lado o hacia arriba o abajo de más de 20 grados, ya que pueden producirse fallos de funcionamiento.



No bloquee los orificios de ventilación



Evite el empleo de algún objeto que cubra los orificios de ventilación, ya que puede producirse recalentamiento interno.

Sustitución de la lámpara

Cuando llegue el momento de sustituir la lámpara, hágalo inmediatamente con una lámpara de proyector LMP-600 nueva.

Al sustituir la lámpara después de utilizar el proyector

Apague el proyector y desenchufe el cable de alimentación. Espere al menos una hora para que se enfríe la lámpara.

Nota

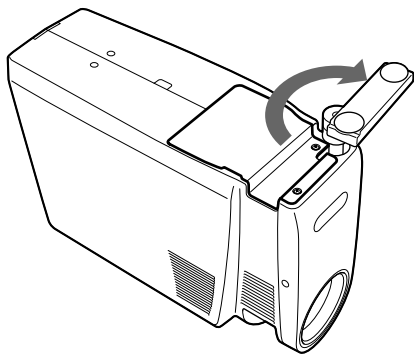
La lámpara aún estará muy caliente después de desactivar la alimentación. Espere hasta que se haya enfriado completamente antes de sustituirla.

- 1 Coloque un paño protector debajo del proyector y dele la vuelta a éste.

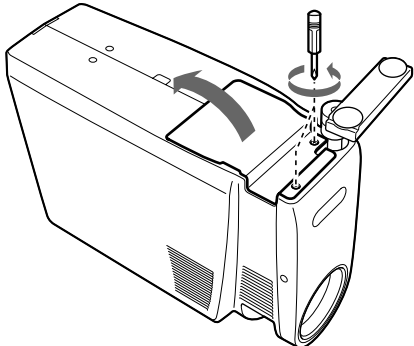
Nota

Tenga cuidado para evitar que se caiga el proyector después de darle la vuelta.

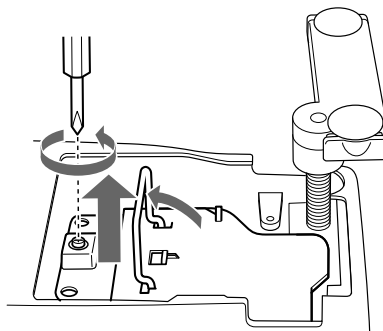
- 2 Tire del ajustador pulsando el botón de ajustador y gírelo hacia fuera.



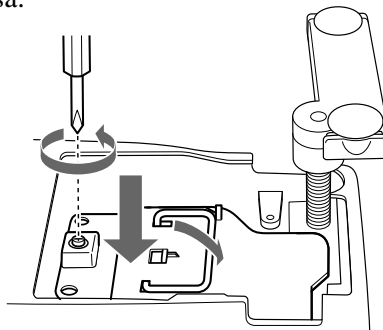
- 3 Para abrir la cubierta de la lámpara, afloje los dos tornillos con el destornillador Philips (suministrado con la lámpara de proyector LMP-600). Por razones de seguridad, no afloje los otros tornillos.



- 4 Afloje el tornillo de la unidad de lámpara con el destornillador Philips. Tire de la unidad de lámpara por el asa.



- 5 Inserte la nueva lámpara completamente hasta que encaje en su sitio. Apriete el tornillo y pliegue el asa.



Notas

- Tenga cuidado para no tocar la superficie de vidrio de la lámpara.
- La alimentación no se activará si la lámpara no está correctamente instalada.

- 6 Cierre la cubierta de la lámpara y apriete los tornillos.
- 7 Gire el ajustador hacia dentro y presiónelo hacia atrás.
- 8 Vuelva a darle la vuelta al proyector.
- 9 Conecte el cable de alimentación y ponga el proyector en modo de espera.
- 10 Pulse las siguientes teclas del panel de control en este orden durante menos de cinco segundos cada una: LIGHT, ←, →, ENTER.

Mantenimiento

Notas

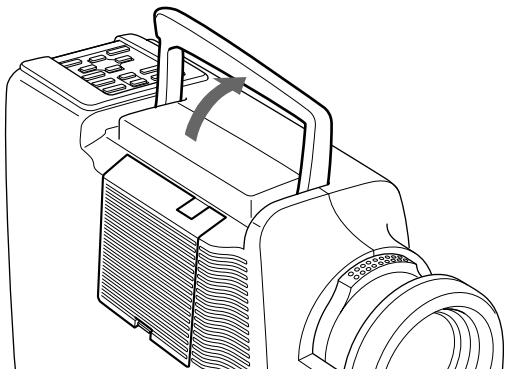
- La lámpara alcanza una temperatura alta después de apagar el proyector con la tecla I / ⏻. Si toca la lámpara, puede quemarse el dedo. Antes de sustituir la lámpara, espere al menos una hora para que se enfríe.
- Asegúrese de utilizar la lámpara de proyector LMP-600 como repuesto. Si utiliza alguna lámpara que no sea la LMP-600, puede producirse un funcionamiento defectuoso del proyector.
- Asegúrese de apagar el proyector y desenchufar el cable de alimentación antes de sustituir la lámpara.
- No sitúe la lámpara antigua en un lugar al alcance de los niños ni cerca de objetos que se incendian fácilmente.
- No moje la lámpara ni deje caer ningún líquido u objeto dentro de la misma, ya que puede romperse.
- No introduzca la mano dentro de la lámpara al sustituirla, ni deje caer ningún líquido u objeto dentro de la misma para evitar una descarga eléctrica o incendio.

Limpeza del filtro de aire

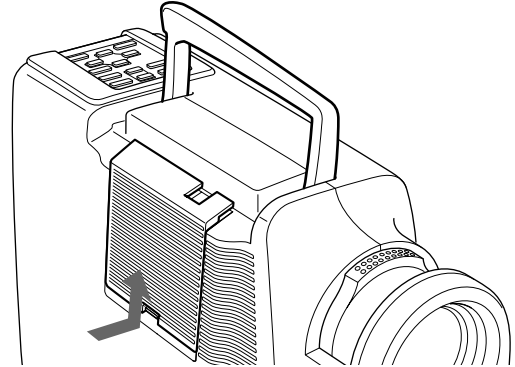
El filtro de aire debe limpiarse cada 300 horas. Si resulta difícil eliminar el polvo del filtro, sustitúyalo por uno nuevo.

Para limpiar el filtro de aire, realice los siguientes pasos:

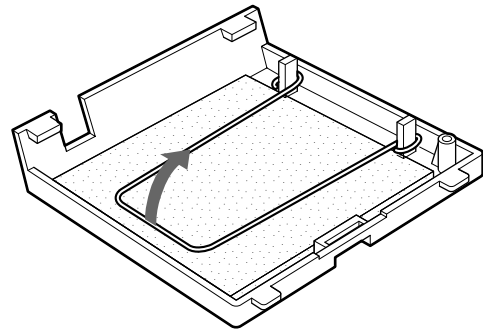
- 1** Desactive la alimentación y desenchufe el cable de la toma de corriente.
- 2** Tire del asa de transporte hacia arriba.



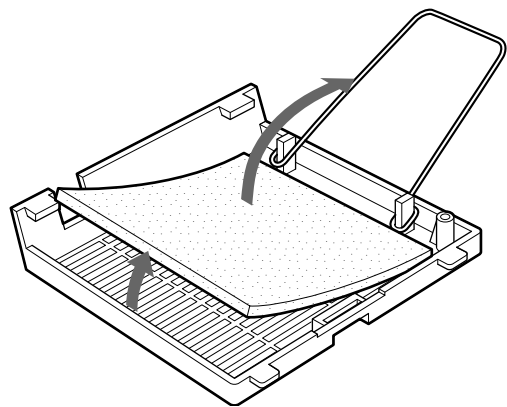
- 3** Pulse y mantenga pulsado el botón PUSH y extraiga la cubierta del filtro de aire del lado derecho del proyector.



- 4** Tire del resorte hacia arriba.



- 5** Extraiga el filtro de aire.



- 6** Elimine el polvo del filtro con una aspiradora.
- 7** Fije el filtro de aire y vuelva a colocar la cubierta.

Solución de problemas

Si el proyector parece no funcionar correctamente, diagnostique y solucione el problema mediante la siguiente guía. Si el problema no se soluciona, consulte con personal Sony especializado.

Problema	Causa	Solución
La alimentación no se activa.	La alimentación se ha desactivado y activado con la tecla I /  en un intervalo corto de tiempo.	Espere 90 segundos aproximadamente antes de activar la alimentación (<i>consulte la página 19 (ES)</i>).
	La cubierta de la lámpara no está instalada.	Cierre firmemente la cubierta de la lámpara (<i>consulte la página 31 (ES)</i>).
	La cubierta del filtro de aire no está instalada.	Cierre firmemente la cubierta del filtro de aire (<i>consulte la página 32 (ES)</i>).
Ausencia de imagen y de sonido.	El cable está desconectado.	Compruebe que ha realizado las conexiones adecuadas (<i>consulte las páginas 16 (ES) a 18 (ES)</i>).
	Conexión incorrecta.	Compruebe que ha realizado las conexiones adecuadas (<i>consulte las páginas 16 (ES) a 18 (ES)</i>).
	La selección de entrada es incorrecta.	Seleccione correctamente la fuente de entrada con la tecla INPUT (<i>consulte la página 19 (ES)</i>).
Ausencia de imagen o de sonido.	La imagen o el sonido está desactivado.	Pulse las teclas MUTING para cancelar la función de desactivación (<i>consulte la página 20 (ES)</i>).
Ausencia de imagen.	La señal del ordenador no está ajustada para enviarse al monitor externo.	Ajuste la señal del ordenador para que se envíe al monitor externo (<i>consulte la página 16 (ES)</i>).
	La señal del ordenador está ajustada para enviarse a la pantalla LCD de éste y al monitor externo.	Ajuste la señal del ordenador para que se envíe sólo al monitor externo (<i>consulte la página 16 (ES)</i>).
La imagen aparece con ruido.	Es posible que aparezca ruido de fondo en función de la combinación del número de puntos introducido desde el conector y el número de píxeles del panel LCD.	Cambie el patrón del escritorio en el ordenador conectado.
Al introducir sonido mediante el conector INPUT-A, el sonido sólo se emite por un canal.	Se recibe sonido monofónico del conector INPUT-A.	Introduzca sonido estéreo.
La imagen del conector INPUT-A es demasiado brillante.	El interruptor de terminación de 75 ohmios de la parte inferior está ajustado en OFF.	Ajuste dicho interruptor en ON.
El color de la imagen del conector INPUT-A es extraño.	Se introduce la señal RGB de 15k.	Introduzca la señal correcta. Esta unidad no acepta la señal RGB de 15k (<i>consulte la página 26 (ES)</i>).
Las indicaciones en pantalla no aparecen.	El elemento ESTADO del menú AJUSTE se ha ajustado en NO.	Ajuste ESTADO en SI en el menú AJUSTE (<i>consulte la página 27 (ES)</i>).
El balance de color es incorrecto.	No ha ajustado la imagen correctamente.	Ajuste la imagen (<i>consulte las páginas 23 (ES) y 24 (ES)</i>).
	El proyector está ajustado en un sistema de color incorrecto.	Ajuste SIST COLOR en el menú CTRL IMAGEN de forma que coincida con el sistema de color que se introduce (<i>consulte la página 24 (ES)</i>).
La imagen aparece con demasiada oscuridad.	No ha ajustado el contraste o el brillo correctamente.	Ajuste adecuadamente el contraste o el brillo en el menú CTRL IMAGEN (<i>consulte la página 23 (ES)</i>).
La imagen no es nítida.	La imagen está desenfocada.	Ajuste el enfoque (<i>consulte la página 20 (ES)</i>).
	Se ha condensado humedad en el objetivo.	Deje el proyector con la alimentación activada durante unas dos horas (<i>consulte la página 29 (ES)</i>).

(Continúa)

Solución de problemas

Problema	Causa	Solución
El indicador LAMP/COVER parpadea.	La cubierta de la lámpara o la del filtro de aire no está instalada.	Fije firmemente la cubierta (<i>consulte la página 31 (ES) y 32 (ES)</i>).
El indicador LAMP/COVER se ilumina.	La lámpara ha llegado al final de su duración.	Sustituya la lámpara (<i>consulte la página 31 (ES)</i>).
	La temperatura de la lámpara es alta.	Espere 90 segundos hasta que la lámpara se enfríe y vuelva a activar la alimentación (<i>consulte la página 19 (ES)</i>).
El indicador TEMP/FAN parpadea.	El ventilador está roto.	Consulte con personal Sony especializado.
El indicador TEMP/FAN se ilumina.	La temperatura interna es inusualmente alta.	Compruebe que no hay nada que bloquee los orificios de ventilación.
El mando a distancia no funciona.	Las pilas del mando a distancia están agotadas.	Sustituya las pilas por unas nuevas (<i>consulte la página 14 (ES)</i>).
	El interruptor COMMANDER ON/OFF está ajustado en la posición OFF.	Ajuste el interruptor en la posición ON (<i>consulte la página 14 (ES)</i>).
	El cable está conectado a la toma CONTROL S OUT.	Desconecte el cable (<i>consulte la página 14 (ES)</i>).
	El detector de control remoto frontal/posterior está cerca de una lámpara fluorescente.	Cambie el ajuste de RECEPTOR SIRCS en el menú AJUSTE (<i>consulte la página 27 (ES)</i>).
No se emite el puntero láser.	Las pilas están agotadas.	Sustituya las pilas por unas nuevas (<i>consulte la página 14 (ES)</i>).
	Utiliza el mando a distancia con cable sin pilas.	Instale las pilas (<i>consulte la página 14 (ES)</i>).
El mando universal o la tecla R CLICK o L CLICK no funciona.	El puerto de ratón del ordenador no reconoce el cable de ratón.	Reinicie el ordenador.

Mensajes de aviso

Utilice la lista que aparece a continuación para conocer el significado de los mensajes mostrados en pantalla.

Mensaje	Significado	Solución
Temperatura alta! Desconex. en 1 min.	La temperatura interna es demasiado alta.	Desactive la alimentación. Compruebe que no haya nada que bloquee los orificios de ventilación.
Frecuencia fuera de rango!	Esta señal de entrada no puede proyectarse, ya que la frecuencia se encuentra fuera del margen admisible del proyector.	Introduzca una señal que se encuentre dentro del margen de la frecuencia.
	El ajuste de resolución de la señal de salida del ordenador es demasiado alto.	Defina el ajuste de la salida hacia SVGA (<i>consulte la página 16 (ES)</i>).

Mensajes de precaución

Utilice la siguiente lista para conocer el significado de los mensajes mostrados en pantalla.

Mensaje	Significado	Solución
SIN ENTRADA	Ninguna señal de entrada	Compruebe las conexiones.
No aplicable!	Ha pulsado la tecla incorrecta.	Pulse la tecla apropiada.

Características ópticas

Sistema de proyección	3 paneles LCD, 1 objetivo, sistema de proyección
Panel LCD	TFT de 0,9 pulgadas, 1.440.000 píxeles (480.000 píxeles × 3)
Objetivo	Zoom de 1,2 veces f 32,8 a 39,4 mm/F 2,5 a 2,79
Lámpara	UHP de 120 W
Tamaño de imagen de proyección	Rango: 40 a 150 pulgadas (medida diagonal)
Salida de luz	ANSI lumen ¹⁾ 500 lm
Distancia de proyección (si se introduce la señal SVGA)	40 pulgadas: 1410 a 1630 mm (55 ⁵ / ₈ a 64 ¹ / ₄ pulgadas) 60 pulgadas: 2160 a 2480 mm (85 ¹ / ₈ a 97 ³ / ₄ pulgadas) 80 pulgadas: 2900 a 3320 mm (114 ¹ / ₄ a 130 ³ / ₄ pulgadas) 100 pulgadas: 3640 a 4170 mm (143 ³ / ₈ a 164 ¹ / ₄ pulgadas) 120 pulgadas: 4390 a 5020 mm (172 ⁷ / ₈ a 197 ¹¹ / ₁₆ pulgadas) 150 pulgadas: 5500 a 6290 mm (216 ⁵ / ₈ a 243 ³ / ₄ pulgadas)

Características eléctricas

Sistema de color	NTSC _{3.58} /PAL/SECAM/NTSC _{4.43} /PAL-M, conmutado automática/manualmente
Resolución	600 líneas horizontales de TV (entrada de vídeo) 800 × 600 puntos (entrada RGB)
Señales de ordenador admitidas	fH: 24 a 57 kHz fV: 43 a 85 Hz
Altavoz	Sistema de altavoces estéreo, 36 mm (1 ⁷ / ₁₆ pulgadas) de diámetro, max. 0,5 W × 2

Entrada/salida

Entrada de vídeo/audio	VIDEO: tipo fonográfico Vídeo compuesto: 1 Vp-p ±2 dB sincronización negativa (terminación de 75 ohmios) S VIDEO: Y/C tipo mini 4 DIN de pines (macho) Y (luminancia): 1 Vp-p ±2 dB sincronización negativa (terminación de 75 ohmios) C (crominancia): señal de sincronización 0,286 Vp-p ±2 dB (NTSC) (terminación de 75 ohmios), señal de sincronización de 0,3 Vp-p ±2 dB (PAL) (terminación de 75 ohmios) AUDIO: Tipo fonográfico × 2 500 mVrms, impedancia superior a 47 kiloohmios
INPUT-A	INPUT A: HD D-sub de 15 pines (hembra) Componente/RGB analógico: R/R-Y: 0,7 Vp-p ±2 dB (terminación de 75 ohmios) G: 0,7 Vp-p ±2 dB (terminación de 75 ohmios) G con sincronización/Y: 1 Vp-p ±2 dB sincronización negativa (terminación de 75 ohmios) B/B-Y: 0,7 Vp-p ±2 dB (terminación de 75 ohmios) SYNC/HD: Entrada de sincronización compuesta: 1-5 Vp-p alta impedancia, positiva/negativa Entrada de sincronización horizontal: 1-5 Vp-p alta impedancia, positiva/negativa VD: Entrada de sincronización vertical: 1-5 Vp-p alta impedancia, positiva/negativa MOUSE (salida): 13 pines (hembra) <i>(Para más información, consulte "Asignación de pines" en la página 37 (ES).)</i> AUDIO: Minitoma estéreo 500 mVrms, impedancia superior a 47 kiloohmios

(Continúa)

1) ANSI lumen es un método de medida de American National Standard IT 7.228.

Especificaciones

AUDIO OUT (salida variable): minitoma estéreo
Máx. 500 mVrms, impedancia
5 kilohmios

Normas de seguridad

VPL-SC50U: UL1950, cUL (CSA
C22,2 No.950), FCC Clase A, IC
Clase A, DHHS
VPL-SC50E/SC50M: EN60 950
EN60825-1, CE, C-Tick

Haz láser

Tipo de láser Clase 2
Longitud de onda 670 nm
Salida 1 mW

Generales

Dimensions 107 × 218 × 314 mm (4 1/4 × 8 5/8 ×
12 3/8 pulgadas) (an/al/prf)

Peso Aprox. 3,7 kg (8 lb 3 oz)

Requisitos de alimentación

CA 100 a 120 V/ 220 a 240 V,
2A/0,9A, 50/60 Hz

Consumo de energía

Máx. 190 W (modo de espera:
2 W)

Disipación del calor

648,37 BTU

Temperatura de funcionamiento

0°C a 40°C (32°F a 104°F)

Humedad de funcionamiento

35% a 85% (sin condensación)

Temperatura de almacenamiento

-20°C a 60°C (-4°F a 140°F)

Humedad de almacenamiento

10% a 90%

Accesorios suministrados

Mando a distancia RM-PJM600 (1)

Pilas tamaño AA (R6) (2)

Cable de señal de vídeo SMF-401
(1)

Adaptador de señal (para
Macintosh) (1)

Cable de ratón

SIC-S20 (para Macintosh) (2 m) (1)

SIC-S22 (para PS/2) (2 m) (1)

Cable de audio/vídeo (1,5 m) (1)

Asa para el mando a distancia (1)

Cable de alimentación de CA (1)

Filtro de aire (para sustitución) (1)

Manual de instrucciones (1)

Tarjeta de referencia rápida (1)

Tarjeta de garantía (1) (sólo para
VPL-SC50U)

Diseño y especificaciones sujetos a cambios sin previo
aviso.

Accesorios opcionales

Lámpara de proyector LMP-600¹⁾ (para sustitución)

Estuche de transporte VLC-SC50¹⁾

Selector de señal IFU-SC50

Cable de señal de vídeo SMF-401 (HD D-sub de
15 pines (macho) ↔ HD D-sub de 15 pines (macho))

Cable de señal

SMF-402 (HD D-sub de 15 pines (macho) ↔ 3 ×
tipo fonográfico (macho))

Cable de ratón

SIC-S20 (para Macintosh) (2 m)

SIC-S21 (para serie) (2 m)

SIC-S22 (para PS/2) (2 m)

Adaptador de señal

ADP-10 (HD D-sub de 15 pines ↔ D-sub de
9 pines (para Cable SIC))

ADP-20 (Macintosh ↔ HD D-sub de 15 pines)

Cable SIC

SIC-20A/20C/21/22

Pantallas

VPS-80C, portátil de 80 pulgadas

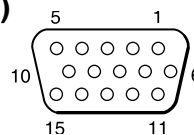
VPS-100FH, plana de 100 pulgadas

VPS-100FH, plana de 120 pulgadas

*Algunos productos pueden no encontrarse disponibles en
determinadas zonas. Para más información, póngase en
contacto con el proveedor Sony más próximo.*

Asignación de pines

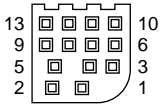
**Conector INPUT A (HD D-sub de 15 pines,
hembra)**



1	R/R-Y	9	N.C.
2	G/Y	10	GND
3	B/B-Y	11	GND
4	N.C.	12	N.C.
5	GND	13	HD/C.Sync
6	GND (R)	14	VD
7	GND (G)	15	N.C.
8	GND (B)		

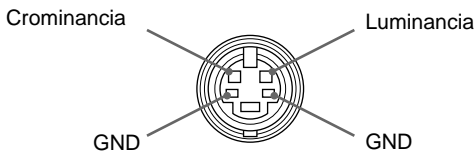
1) La unidad LMP-600 y VLC-SC50 puede no encontrarse disponible en ciertas zonas. Para más información, póngase en contacto con el proveedor Sony más próximo.

Conector MOUSE (13 pines, hembra)



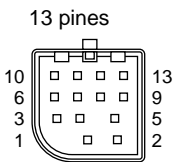
1	RTS	8	R
2	GND	9	98/AT/TXD
3	XA	10	+5V/DTR
4	XB	11	CLOCK
5	YA	12	DATA
6	YB	13	RXD
7	L/PS		

Toma S VIDEO (4 pines, mini-DIN)

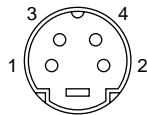


Asignación de pines del cable de ratón

SIC-S20



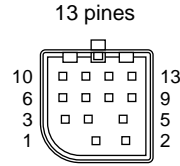
mini DIN de 4 pines



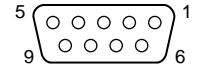
1	RTS	8	R
2	GND	9	98/AT/TXD
3	XA	10	+5V/DTR
4	XB	11	CLOCK
5	YA	12	DATA
6	YB	13	RXD
7	L/PS		

1	ADB
2	NC
3	+5V
4	GND

SIC-S21 (no suministrado)



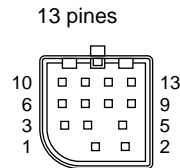
D-sub de 9 pines



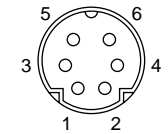
1	RTS	8	R
2	GND	9	98/AT/TXD
3	XA	10	+5V/DTR
4	XB	11	CLOCK
5	YA	12	DATA
6	YB	13	RXD
7	L/PS		

1	DCD
2	RXD
3	TXD
4	DTR
5	GND
6	DSR
7	RTS
8	CTS
9	RI

SIC-S22



mini DIN de 6 pines

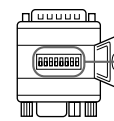


1	RTS	8	R
2	GND	9	98/AT/TXD
3	XA	10	+5V/DTR
4	XB	11	CLOCK
5	YA	12	DATA
6	YB	13	RXD
7	L/PS		

1	DATA
2	NC
3	GND
4	+5V
5	CLOCK
6	NC

Posición del interruptor del adaptador de señal

a Macintosh



Interruptor DIP

al proyector

ON (posición superior)
OFF (posición inferior)

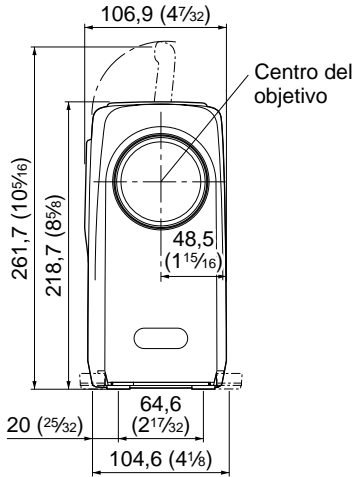
■ = 1
□ = 0

Modo	fH	Interruptor DIP							
		1	2	3	4	5	6	7	8
VGA/S VGA	31,5 kHz/37,8 kHz	0	0	1	1	1	0	0	1
Macintosh 13"	35,0 kHz	1	1	0	0	1	0	0	1
Macintosh 16"	49,7 kHz	0	1	0	1	1	0	0	1

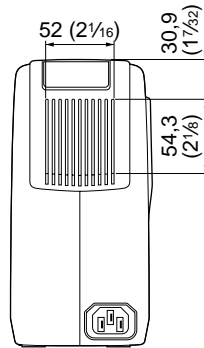
Especificaciones

Dimensiones

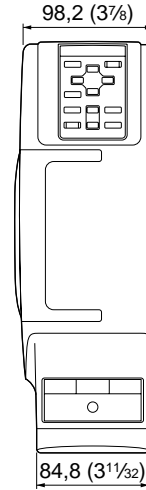
Parte frontal



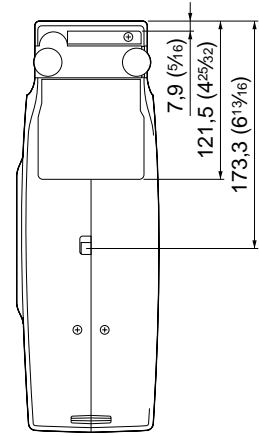
Parte posterior



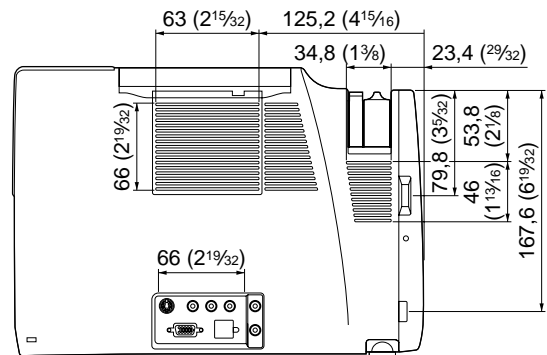
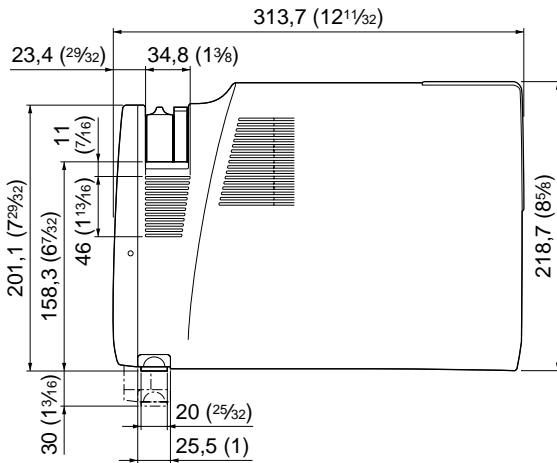
Parte superior



Parte inferior



Parte lateral



Unidad: mm (pulgadas)

A

- Accesorios opcionales 36 (ES)
- Accesorios suministrados 36 (ES)
- Adaptador de señal 17 (ES)
 - posición del interruptor 37 (ES)
- AHORRO ENERGIA 8 (ES), 27 (ES)
- Ajustador 11 (ES)
- Ajuste
 - imagen 23 (ES), 24 (ES)
 - memoria de los ajustes 22 (ES)
 - tamaño/desplazamiento de la imagen 25 (ES)
- Alimentación
 - activación 19 (ES)
 - desactivación 21 (ES)
- ALTAVOZ 27 (ES)
- Asa de transporte 7 (ES)
- Asignación de pines 36 (ES), 37 (ES)
- ASPECTO 26 (ES)

B, C

- BRILLO 23 (ES)
- Cable de ratón
 - asignación de pines 37 (ES)
 - conexión 16 (ES)
- COLOR 23 (ES)
- Conector de ratón 12 (ES)
 - asignación de pines 37 (ES)
- Conector INPUT A 12 (ES)
 - asignación de pines 36 (ES)
- Conexiones
 - equipo componente 18 (ES)
 - ordenador 16 (ES)
 - videograbadora 18 (ES)
- CONTRASTE 23 (ES)

D, E

- Desactivación
 - imagen 20 (ES)
 - sonido 20 (ES)
- DESPLAZ 25 (ES)
- Detector de control remoto
 - ajuste 27 (ES)
 - frontal 7 (ES)
 - posterior 10 (ES)
- Dimensiones 38 (ES)
- Ejemplos de instalación 15 (ES), 28 (ES)
 - lugares inadecuados 29 (ES)
 - notas 30 (ES)
- Especificaciones 35 (ES)
- ESTADO (indicación en pantalla) 27 (ES)

F, G, H

- FASE PUNTO 25 (ES)
- Filtro de aire 32 (ES)
- Función del puntero láser 13 (ES)

I, J, K, L

- IDIOMA 27 (ES)
- IMAG DI (dinámica) 24 (ES)

M, N

- Mando a distancia
 - función de puntero láser 13 (ES)
 - instalación de las pilas 14 (ES)
 - ubicación y función de los controles 13 (ES)
- Mensaje
 - aviso 34 (ES)
 - precaución 34 (ES)
- Menú
 - AJUS ENTRAD 25 (ES)
 - AJUSTE 27 (ES)
 - CTRL IMAGEN 23 (ES)
 - desactivación de la pantalla de menú 22 (ES)
 - uso del menú 22 (ES)
 - Menú AJUS ENTRAD 25 (ES)
 - Menú AJUSTE 27 (ES)
 - Menú CTRL IMAGEN 23 (ES)
 - MODO GAMMA 24 (ES)
 - NITIDEZ 24 (ES)

O, P, Q

- Orificios de ventilación
 - aspiración 10 (ES)
 - exhaustación 7 (ES), 10 (ES)
- Pilas
 - instalación 14 (ES)
 - notas 14 (ES)
- Precauciones 4 (ES)

R, S

- RECEPTOR SIRCS 27 (ES)
- Restauración
 - elementos que pueden restaurarse 22 (ES)
 - restauración de elementos 22 (ES)
- SIST (sistema) COLOR 24 (ES)
- Solución de problemas 33 (ES)
- Sustitución de la lámpara 31 (ES)

T, U, V, W, X, Y, Z

- TAMANO 25 (ES)
- Tamaño de la pantalla 15 (ES), 28 (ES)
- TEMP COLOR 27 (ES)
- TONALIDAD 23 (ES)
- Ubicación y función de los controles
 - lado frontal/izquierdo 7 (ES)
 - lado posterior/derecho/inferior 10 (ES)
 - Mando a distancia 13 (ES)
 - panel de conectores 12 (ES)
 - panel de control 8 (ES)

