

# ***LCD Data Projector***

---

Operating Instructions \_\_\_\_\_ **GB**

Mode d'emploi \_\_\_\_\_ **FR**

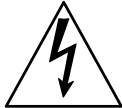
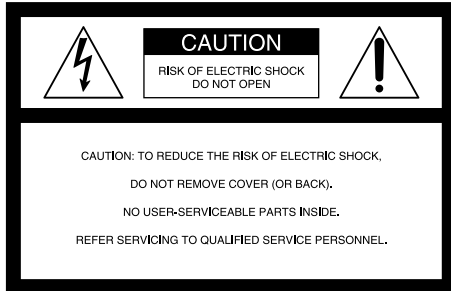
Manual de instrucciones \_\_\_\_\_ **ES**

**VPL-PX1**

# WARNING

To prevent fire or shock hazard, do not expose the unit to rain or moisture.

To avoid electrical shock, do not open the cabinet. Refer servicing to qualified personnel only.



This symbol is intended to alert the user to the presence of uninsulated “dangerous voltage” within the product’s enclosure that may be of sufficient magnitude to constitute a risk of electric shock to persons.

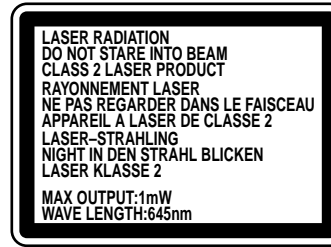


This symbol is intended to alert the user to the presence of important operating and maintenance (servicing) instructions in the literature accompanying the appliance.

## For the customers in the USA

This equipment has been tested and found to comply with the limits for a Class A digital device, pursuant to Part 15 of the FCC Rules. These limits are designed to provide reasonable protection against harmful interference when the equipment is operated in a commercial environment. This equipment generates, uses, and can radiate radio frequency energy and, if not installed and used in accordance with the instruction manual, may cause harmful interference to radio communications. Operation of this equipment in a residential area is likely to cause harmful interference in which case the user will be required to correct the interference at his own expense.

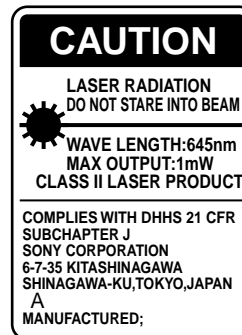
You are cautioned that any changes or modifications not expressly approved in this manual could void your authority to operate this equipment.



This label is located on the rear of the Remote Commander.



This label is located on the side of the Remote Commander.



This label is located on the rear of the Remote Commander.



This label is located on the rear of the Remote Commander.

Laser light shines out of this window.



## Caution

use of controls or adjustments or performance of procedures other than those specified herein may result in hazardous radiation exposure.

## Notes

- Do not aim the laser at people or not look into the laser transmitter.
- When the Remote Commander causes malfunction, consult with qualified Sony personnel. We change the Remote Commander as new one according to the guarantee.

### For the customers in Canada

This Class A digital apparatus complies with Canadian ICES-003.

### For the customers in the United Kingdom

#### WARNING

#### THIS APPARATUS MUST BE EARTHED

#### IMPORTANT

The wires in this mains lead are coloured in accordance with the following code:

Green-and-Yellow: Earth  
Blue: Neutral  
Brown: Live

As the colours of the wires in the mains lead of this apparatus may not correspond with the coloured markings identifying the terminals in your plug proceed as follows:

The wire which is coloured green-and-yellow must be connected to the terminal in the plug which is marked by the letter E or by the safety earth symbol  $\perp$  or coloured green or green-and-yellow.

The wire which is coloured blue must be connected to the terminal which is marked with the letter N or coloured black.

The wire which is coloured brown must be connected to the terminal which is marked with the letter L or coloured red.

### Voor de klanten in Nederland



Bij dit product zijn batterijen geleverd.  
Wanneer deze leeg zijn, moet u ze niet weggooien maar inleveren als KCA.

The socket-outlet should be installed near the equipment and be easily accessible.

### Warning on power connection

Use a proper power cord for your local power supply.

	The United States, Canada		Continental Europe		UK, Ireland, Australia, Newzealand	Japan
Plug type	VM0233	290B	YP-12A	COX-07	— <sup>1)</sup>	VM1296
Female end	VM0089	386A	YC-13B	COX-02	VM0310B	VM10505
Cord type	SJT	SJT	H05VV-F	H05VV-F	N13237/CO-228	HVCTF
Rated Voltage & Current	10A/125V	10A/125V	10A/250V	10A/250V	10A/250V	13A/125V
Safety approval	UL/CSA	UL/CSA	VDE	VDE	VDE	DENTORI

1) Note: Use an appropriate rating plug which is applied to local regulations.



# Table of Contents

## Overview

<b>Precautions</b> .....	<b>6 (GB)</b>
<b>Features</b> .....	<b>7 (GB)</b>
<b>Location and Function of Controls</b> .....	<b>8 (GB)</b>
Front/Left Side .....	8 (GB)
Rear/Right Side/Bottom .....	8 (GB)
Control panel .....	10 (GB)
Connector panel .....	11 (GB)
Remote Commander .....	12 (GB)

## Setting up and projecting

<b>Installing the Projector</b> .....	<b>14 (GB)</b>
<b>Connecting</b> .....	<b>14 (GB)</b>
Connecting with a Computer .....	14 (GB)
Connecting with a VCR/15k RGB/ Component Equipment .....	16 (GB)
<b>Projecting</b> .....	<b>17 (GB)</b>

## Adjustments and settings using the menu

<b>Using the MENU</b> .....	<b>19 (GB)</b>
<b>The PICTURE CTRL Menu</b> .....	<b>19 (GB)</b>
<b>The INPUT SETTING Menu</b> .....	<b>21 (GB)</b>
<b>The SET SETTING Menu</b> .....	<b>23 (GB)</b>

## Maintenance

<b>Maintenance</b> .....	<b>24 (GB)</b>
Replacing the Lamp .....	24 (GB)
Cleaning the Air Filter .....	25 (GB)
<b>Troubleshooting</b> .....	<b>26 (GB)</b>

## Other

<b>Tips for Installation</b> .....	<b>28 (GB)</b>
Unsuitable Installation .....	28 (GB)
Notes on Installation .....	28 (GB)
<b>Specifications</b> .....	<b>29 (GB)</b>
<b>Index</b> .....	<b>32 (GB)</b>

---

## Precautions

---

### On safety

- Check that the operating voltage of your unit is identical with the voltage of your local power supply.
- Should any liquid or solid object fall into the cabinet, unplug the unit and have it checked by qualified personnel before operating it further.
- Unplug the unit from the wall outlet if it is not to be used for several days.
- To disconnect the cord, pull it out by the plug. Never pull the cord itself.
- The wall outlet should be near the unit and easily accessible.
- The unit is not disconnected to the AC power source (mains) as long as it is connected to the wall outlet, even if the unit itself has been turned off.
- Do not look into the lens while the lamp is on.
- Do not aim the laser at people or not look into the laser transmitter.
- Do not place your hand or objects near the ventilation holes — the air coming out is hot.
- Be careful not to catch your fingers by the adjuster when you lift up the projector. Do not push hard on the top of the projector with the adjuster out.

---

### On illumination

- To obtain the best picture, the front of the screen should not be exposed to direct lighting or sunlight.
- Ceiling-mounted spot lighting is recommended. Use a cover over fluorescent lamps to avoid lowering the contrast ratio.
- Cover any windows that face the screen with opaque draperies.
- It is desirable to install the projector in a room where floor and walls are not of light-reflecting material. If the floor and walls are of reflecting material, it is recommended that the carpet and wall paper be changed to a dark color.

---

### On preventing internal heat build-up

After you turn off the power with the I / ⏻ key on the Remote Commander or on the control panel, do not disconnect the unit from the wall outlet while the cooling fan is still running.

#### Caution

The projector is equipped with ventilation holes (intake) on the right side and ventilation holes (exhaust) on front and rear. Do not block or place anything near these holes, or internal heat build-up may occur, causing picture degradation or damage to the projector.

---

### On cleaning

- To keep the cabinet looking new, periodically clean it with a soft cloth. Stubborn stains may be removed with a cloth lightly dampened with a mild detergent solution. Never use strong solvents, such as thinner, benzene, or abrasive cleansers, since these will damage the cabinet.
- Avoid touching the lens. To remove dust on the lens, use a soft dry cloth. Do not use a damp cloth, detergent solution, or thinner.
- Clean the filter at regular intervals.

---

### On repacking

- Save the original shipping carton and packing material; they will come in handy if you ever have to ship your unit. For maximum protection, repack your unit as it was originally packed at the factory.

---

## Features

---

### High portability

- **Light weight/small size**

This projector has come to miniaturized to approx. 4 kg (8 lb 13 oz) of mass by adopting magnesium die-casting body. And a carrying handle is equipped with the projector. You can easily carry it with your computer.

---

### Reduced noise

Because the projector is using a new cooling mechanism, noise has been reduced.

---

### Stability

This projector utilizes a new placing angle adjuster to improve stability.

---

### High brightness, high picture quality

- **High brightness**

Adopting the new developed optical system and the new developed 120 W UHP lamp allow high brightness (light output 1000 ANSI lumen) and excellent uniformity on the picture.

- **High resolution**

Three 0.9-inch, about 790,000 pixel XGA panels with micro-lens arrays provide a resolution of 1024 × 768 dots for RGB input and 750 horizontal TV lines for video input.

---

### Simple setup, easy presentation

- **Simple setup with external equipment**

This projector is preset for 37 kinds of input signals. You can project images from an external signal source just by connecting the equipment with the supplied cable and pushing the APA key.

- **Remote Commander with mouse control and laser pointer functions**

You can operate a computer with the Remote Commander since the unit has a build-in mouse receiver. For your presentation, you can use the laser pointer built in the Remote Commander as well.

---

### Accepts various input signals

- **Scan converter loaded**

This projector has a build-in scan converter which converts the input signal within 1024 × 768 dots.

- **Compatible input signals**

This projector accepts video signals of the composite, S video, and component as well as the 15k RGB, VGA<sup>1)</sup>, SVGA<sup>1)</sup>, XGA<sup>1)</sup>, and SXGA<sup>1)</sup> signals, which all can be displayed.

- **Compatible with five color systems**

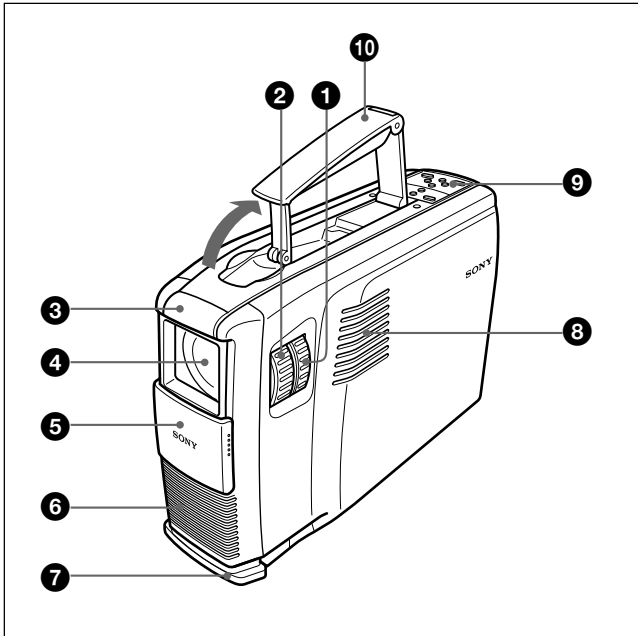
NTSC, PAL, SECAM, NTSC<sub>4.43</sub><sup>2)</sup>, or PAL-M color system can be selected automatically or manually.

---

1) VGA, SVGA, XGA, and SXGA are registered trademarks of the International Business Machines Corporation, U.S.A.  
 2) NTSC<sub>4.43</sub> is the color system used when playing back a video recorded on NTSC on a NTSC<sub>4.43</sub> system VCR.

# Location and Function of Controls

## Front/Left Side



**1 Zoom ring**

Adjusts the size of the picture.

**2 Focus ring**

Adjusts the picture focus.

**3 Front remote control detector (SIRCS receiver)**

**4 Lens**

Open the lens shutter before projection.

**5 Lens shutter**

**6 Ventilation holes (exhaust)**

**7 Adjuster**

When a picture is projected on the out of the screen, adjust the picture using this adjuster.

*For details on how to use the adjusters, see "How to use the adjuster" on page 9 (GB).*

**8 Left speaker**

**9 Control panel**

*For details, see "Control panel" on page 10 (GB).*

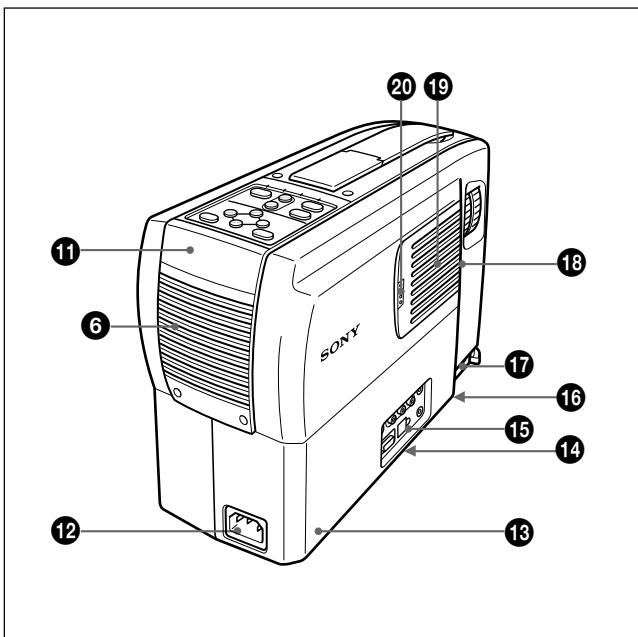
**10 Carrying handle**

Pull up the handle from the projector for carrying.

**Note**

Be careful not to injure your fingers when you fold in the handle.

## Rear/Right Side/Bottom



**11 Rear remote control detector (SIRCS receiver)**

**12 AC IN socket**

Connects the supplied AC power cord.



**13 Security lock**

Connects to an optional security cable (Kensington's).

The security lock corresponds to Kensington's MicroSaver Security System.

If you have any comment, contact

Kensington

2853 Campus Drive, San Mateo, CA 94403

U.S.A.

Tel: 800-535-4242: extension 3348

Home page address:

<http://www.kensington.com/>

**14 75Ω termination switch (bottom)**

Normally set to ON. Set it to OFF when the projector is connected to a computer or a monitor.

**15 Connector panel**

For details, see page 11 (GB).

**16 Lamp cover (bottom)****17 Adjuster button****18 Right speaker****19 Ventilation holes (intake)/air filter cover****Notes**

- Do not place anything near the ventilation holes as it may cause internal heat build-up.
- Do not place your hand or objects near the ventilation holes — the air coming out is hot.

**20 Air filter cover button**

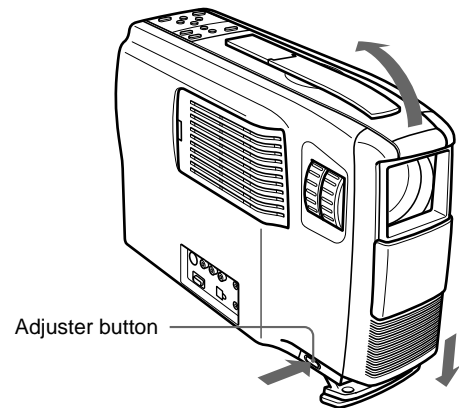
Used to remove the air filter cover.

For details, see "Cleaning the Air Filter" on page 25 (GB).

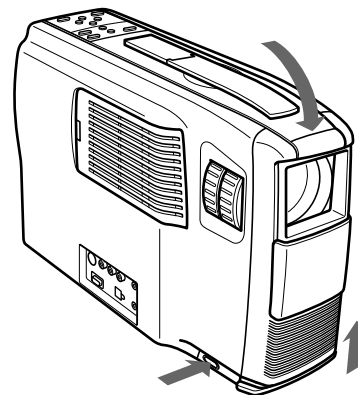
**How to use the adjuster****To adjust the height**

Adjust the height of the projector as follows:

- 1** Lift the projector and press the adjuster button. The adjuster will extend from the projector.

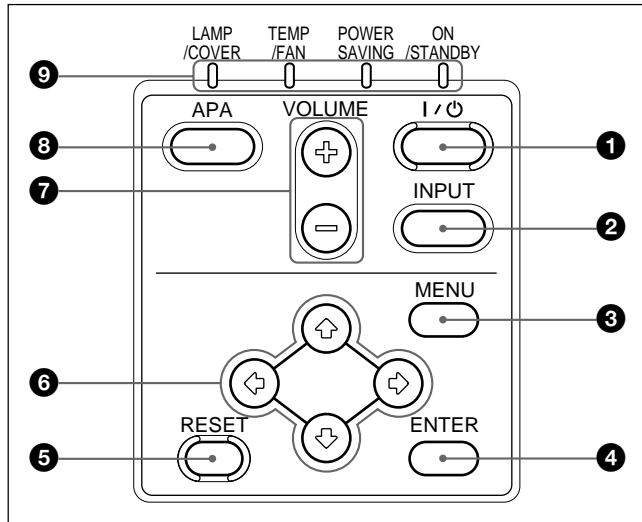


- 2** While pressing the button, lower the projector. Then, release the button.

**Note**

The adjuster has 5 settings. After releasing the adjuster button, the height will be locked at next level.

## Control panel



### 1 I / ⏻ (on / standby) key

Turns on and off the projector when the projector is in the standby mode. The ON/STANDBY indicator lights in green when the power is turned on.

**When turning off the power, press the I / ⏻ key twice following the message on the screen, or press and hold the key for about one second.**

*For details on steps for turning off the power, see “To turn off the power” on page 18 (GB).*

### 2 INPUT key

Selects the input signal. Each time you press the key, the input signal switches between video/audio input and INPUT A connector.

### 3 MENU key

Displays the on-screen menu. Press again to clear the menu.

### 4 ENTER key

Enters the settings of items in the menu system.

### 5 RESET key

Resets the value of an item back to its factory preset value. This key functions when the menu or a setting item is displayed on the screen.

### 6 Arrow keys (↑/↓/←/→)

Used to select the menu or to make various adjustments.

### 7 VOLUME +/- keys

Adjust the volume of the built-in speakers and output level of the AUDIO OUT jack.

- + : Increases the volume.
- : Decreases the volume.

### 8 APA (Auto Pixel Alignment) key

Adjusts a picture to be projected clearest automatically while a signal from the computer is input.

### 9 Indicators

**LAMP/COVER:** Lights up or flashes under the following conditions:

- Lights up when the lamp has reached the end of its life or becomes a high temperature.
- Flashes when the lamp cover or air filter cover is not secured firmly.

**TEMP (Temperature)/FAN:** Lights up or flashes under the following conditions:

- Lights up when temperature inside the projector becomes unusually high.
- Flashes when the fan is broken.

**POWER SAVING:** Lights up when the projector is in the power saving mode. When POWER SAVING in the SET SETTING menu is set to ON, the projector goes into the power saving mode if no signal is input for 10 minutes.

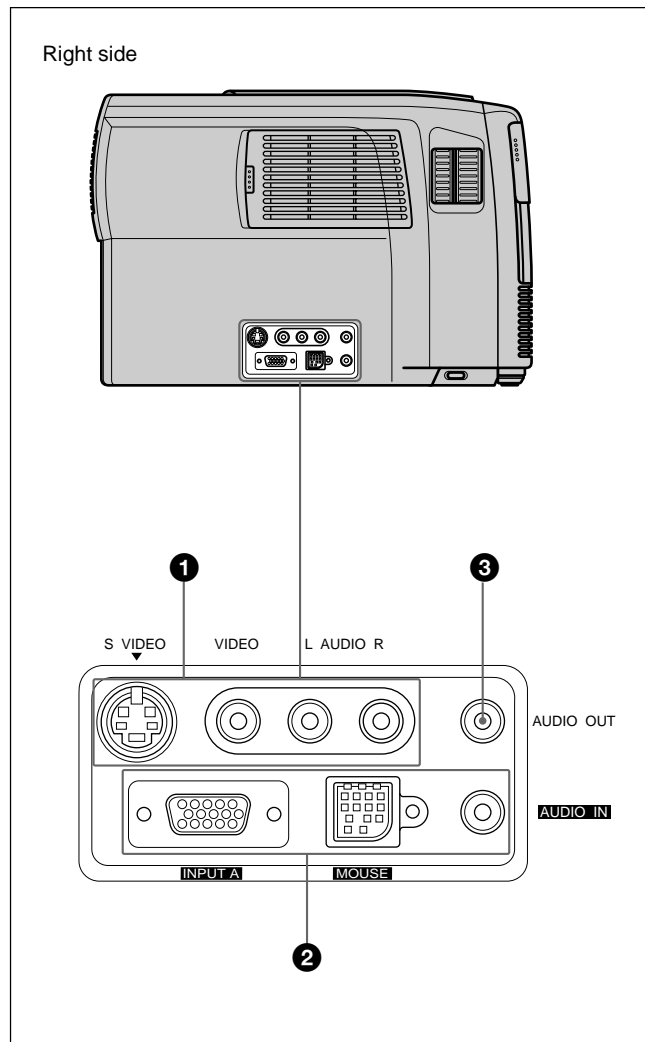
Although the lamp goes out, the cooling fan keeps running. In the power saving mode, any key does not function for the first 30 seconds. The power saving mode is canceled when a signal is input or any key is pressed.

**ON/STANDBY:** Lights up or flashes under the following conditions:

- Lights in red when the AC power cord is plugged into the wall outlet. Once in the standby mode, you can turn on the projector with the I / ⏻ key on the Remote Commander or on the control panel.
- Lights in green when the power is turned on.
- Flashes in green while the cooling fan runs after turning off the power with the I / ⏻ key. The fan runs for about 90 seconds after turning off the power. The ON/STANDBY indicator flashes quickly for the first 30 seconds. During this time, you cannot turn the power back on with the I / ⏻ key.

*For details on the LAMP/COVER and the TEMP/FAN indicators, see page 27 (GB).*

## Connector panel



### ❶ Video/audio input connector

Connect to external video equipment such as a VCR.

**S VIDEO (mini DIN 4-pin):** Connects to the S video output (Y/C video output) of a video equipment.

**VIDEO (phono type):** Connects to the composite video output of video equipment.

#### Note

If you connect video equipment to both the S VIDEO and VIDEO jacks, the signal from the S VIDEO jack is selected. When projecting the picture via the VIDEO jack, be sure not to connect a cable to the S VIDEO jack.

### AUDIO input L (MONO)/R jacks (phono type):

Connect to the audio output of equipment. For stereo equipment, use both the L and R jacks; for monaural equipment, use the L (MONO) jack only.

### ❷ INPUT A connector

Connect to external equipment such as a computer. You can control the mouse signal with the Remote Commander.

**INPUT A (HD D-sub 15-pin, female):** Connects to the monitor output on a computer using the supplied cable. When inputting a component or, 15k RGB signal, use the optional cable.

**MOUSE (13-pin):** Connects to the mouse port on a computer to control the mouse function using the supplied mouse cable.

**AUDIO IN (stereo minijack):** Connects to the audio output on a computer to input the audio signal.

### ❸ AUDIO OUT jack (stereo minijack)

Connects to external active speakers.

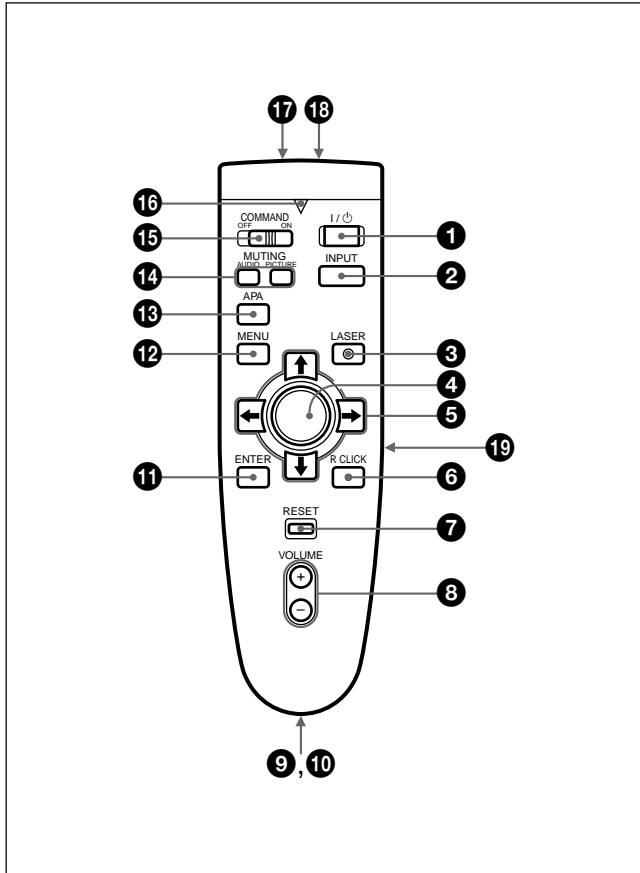
The volume of the speakers can be controlled by the VOLUME keys on the Remote Commander or the control panel.

## Remote Commander

The keys which have the same names as on the control panel function identically.

You can control a connected computer using the Remote Commander.

For details, see "Connecting with a Computer" on page 14 (GB).



### Notes on laser beam

- Do not look into the laser transmitter.
- Do not aim the laser at people.

① I/O key

② INPUT key

③ LASER key

Emits laser beam from the laser transmitter when you press this key.

④ Joy stick

Functions as a mouse of a computer connected to the unit.

⑤ Arrow keys (↑/↓/←/→)

⑥ R CLICK key

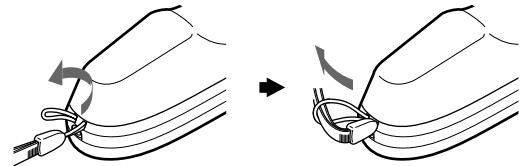
Functions as a right button on a mouse. When connected to a Macintosh<sup>1)</sup> computer, the R CLICK key functions as a mouse button.

⑦ RESET key

⑧ VOLUME +/- keys

⑨ Strap holder

Attaches the supplied strap.



⑩ CONTROL S OUT jack (stereo minijack)

This jack does not operate with this unit.

### Note

The Remote Commander does not function if the cable is connected to this jack.

⑪ ENTER key

⑫ MENU key

⑬ APA (Auto Pixel Alignment) key

⑭ MUTING keys

Cut off the picture and sound.

**PICTURE:** Cuts off the picture. Press again to restore the picture.

**AUDIO:** Cuts off the sound from speakers and AUDIO OUT jack. Press again or press the VOLUME + key to restore the sound.

⑮ COMMAND ON/OFF switch

When this switch is set to OFF, no key on the Remote Commander function. This saves the battery power.

⑯ Transmission indicator

Lights up when you press a key on the Remote Commander.

This indicator does not light up when you use the laser pointer.

⑰ Infrared transmitter

⑱ Laser transmitter

1) Macintosh is a registered trademark of Apple Computer, Inc.

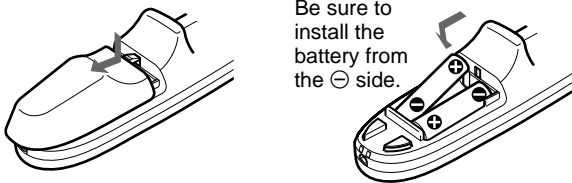
**19 L CLICK key**

Functions as a left button on a mouse. When connected to a Macintosh computer, the L CLICK key functions as a mouse button.

---

**Battery installation**

- 1 Push and slide to open the lid, then install the two size AA (R6) batteries (supplied) with the correct polarity.



- 2 Replace the lid.

**Notes on batteries**

- Make sure that the battery orientation is correct when inserting batteries.
- Do not mix an old battery with a new one, or different types of batteries.
- If you will not use the Remote Commander for a long time, remove the batteries to avoid damage from battery leakage. If batteries have leaked, remove them, wipe the battery compartment dry and replace the batteries with new ones.

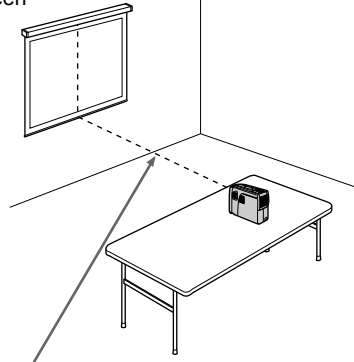
**Notes on Remote Commander operation**

- Make sure that there is nothing to obstruct the infrared beam between the Remote Commander and the remote control detector on the projector.
- The operation range is limited. The shorter the distance between the Remote Commander and the projector is, the wider the angle within which the commander can control the projector.

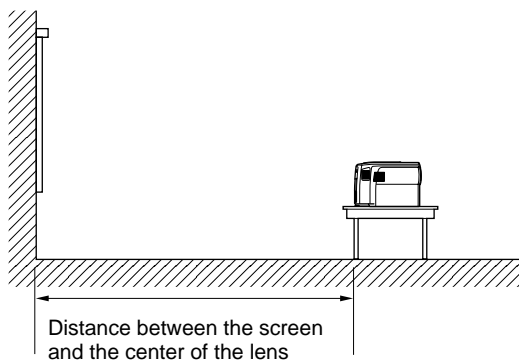
## Installing the Projector

This section describes the installation arrangements for installing the projector.

Horizontal center  
of the screen



The distance between the lens and the screen varies depending on the size of the screen. Use the following table as a guide.



Distance between the screen  
and the center of the lens

Unit: m (feet)

Screen size (inches)	40	60	80	100	120	150	200
Minimum Distance	1.6 (5.2)	2.4 (8.0)	3.3 (10.8)	4.1 (13.5)	5.0 (16.3)	6.2 (20.4)	8.3 (27.4)
Maximum Distance	2.0 (6.7)	3.1 (10.2)	4.2 (13.7)	5.2 (17.1)	6.3 (20.6)	7.9 (25.8)	10.5 (34.5)

### Note

You can not install the projector upside down, such as on a ceiling.

## Connecting

### Connecting with a Computer

This section describes how to connect the projector with a computer.

For details on how to connect a VCR, 15k RGB, or component equipment, see page 16 (GB).

When the projector is connected to a computer, you can control the mouse of a computer by the Remote Commander.

The R/L CLICK keys and joy stick function as follows.

### Note

Make sure that there is nothing to obstruct the infrared beam between the Remote Commander and the remoter control detector on the projector.

Key and joy stick	Function	
	IBM PC/AT <sup>a)</sup> compatible, Serial	Macintosh
R CLICK (front)	Right button	Mouse button
L CLICK (rear)	Left button	Mouse button
Joy stick	Corresponds with the movements of the mouse	

a) IBM PC/AT is a registered trademark of International Business Machines Corporation, U.S.A.

Also refer to the instruction manual of equipment to be connected.

### Notes

- This unit accepts the VGA, SVGA, XGA, and SXGA signals. However, we recommend you to set the output mode of your computer to the XGA mode for the external monitor.
- If you set your computer, such as a notebook type IBM PC/AT compatible, to output the signal to both the display of your computer and the external monitor, the picture of the external monitor may not appear properly. In such cases, set the output mode of your computer to output the signal to only the external monitor.

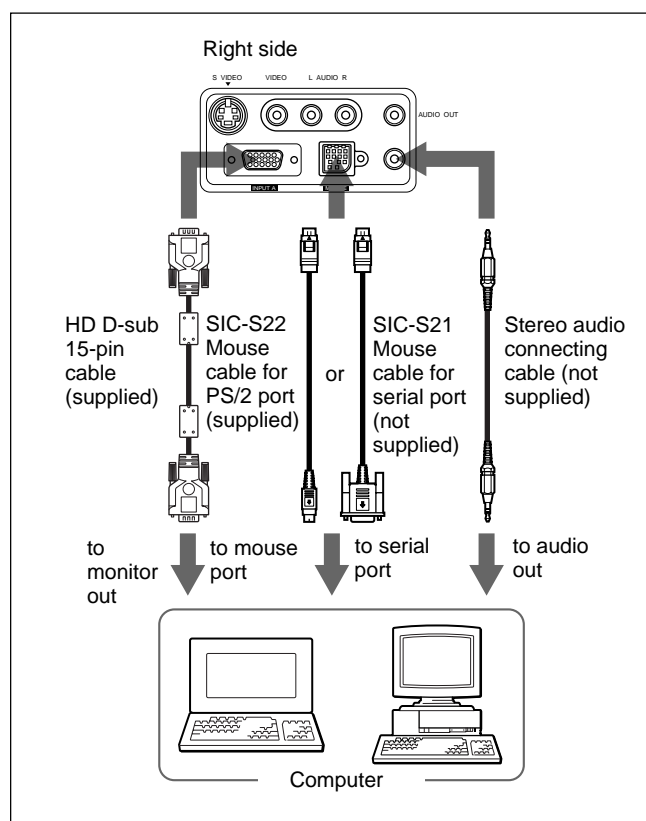
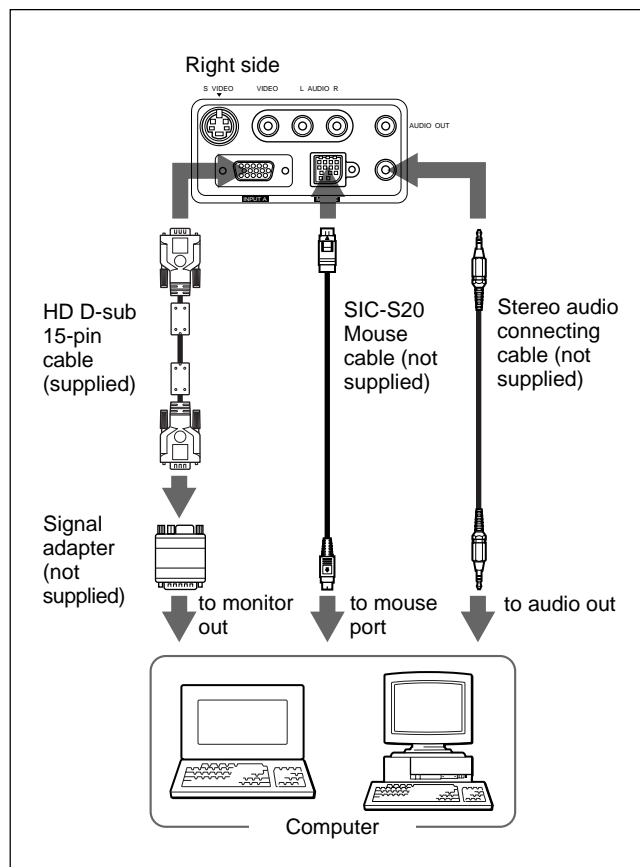
*For details, refer to the operating instructions supplied with your computer.*

**When making connections, be sure to:**

- turn off all equipment before making any connections.
- use the proper cables for each connection.
- insert the plugs of the cables properly; plugs that are not fully inserted often generate noise. When pulling out a cable, be sure to pull it out from the plug, not the cable itself.

**Note**

Supplied mouse cables may not work properly according to your computer.

**When connecting with an IBM PC/AT compatible computer****When connecting with a Macintosh computer**

## Connecting with a VCR/15k RGB/Component Equipment

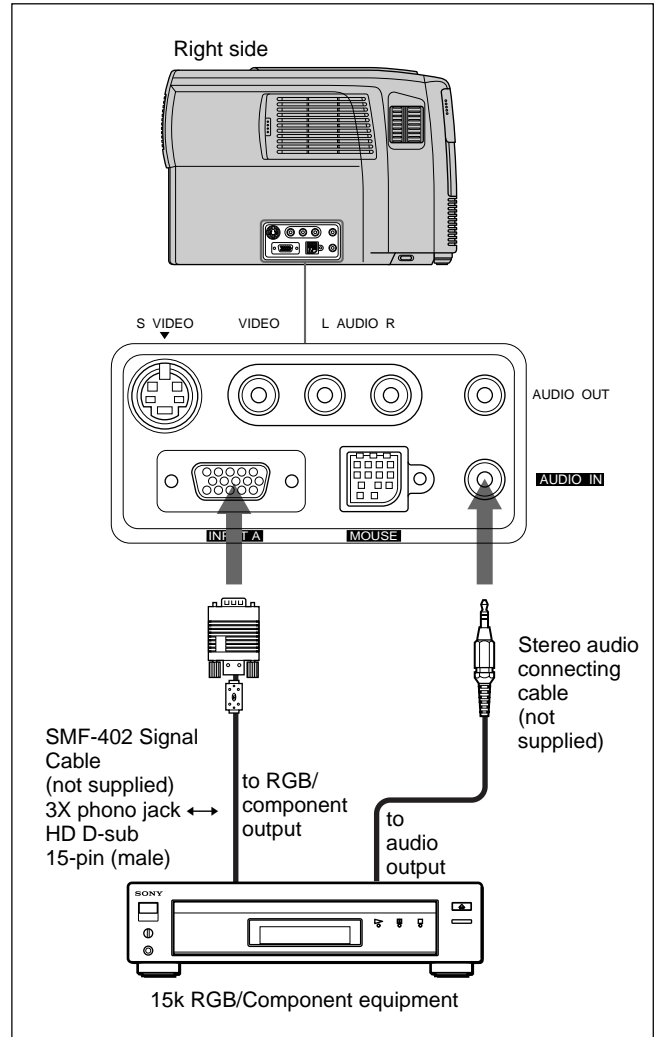
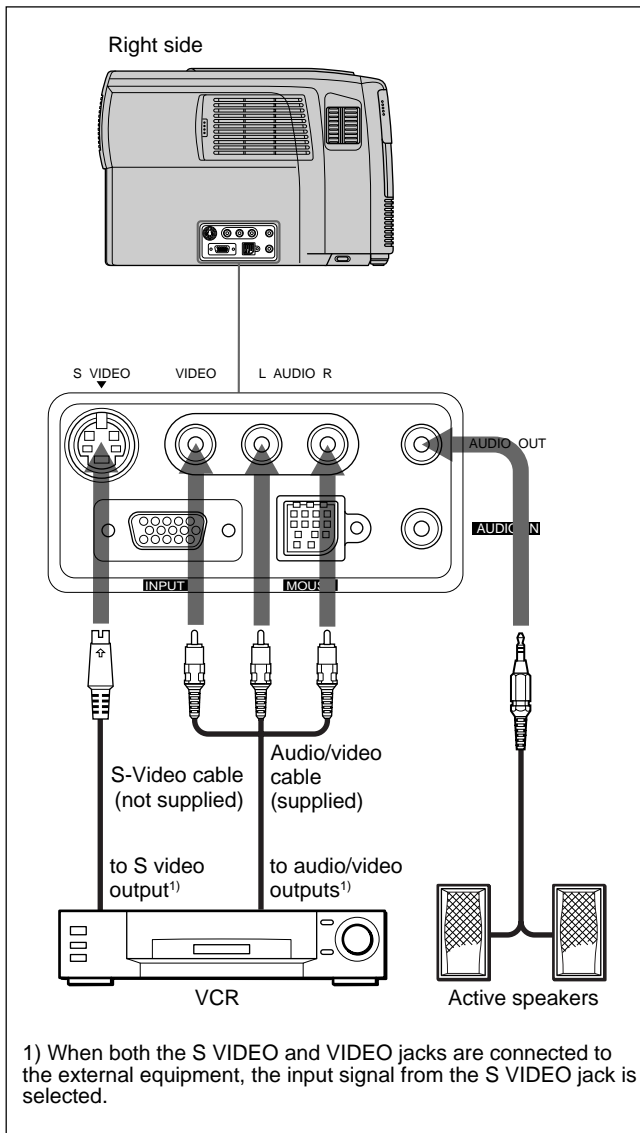
This section describes how to connect the projector with a VCR, external active speakers, and 15k RGB/component equipment.

For details on how to connect a computer, see page 14 (GB).

Also refer to the instruction manuals of the equipment to be connected.

### When making connections, be sure to:

- turn off all equipment before making any connections.
- use the proper cables for each connection.
- insert the plugs of the cables properly; plugs that are not fully inserted often generate noise. When pulling out a cable, be sure to pull it out from the plug, not the cable itself.

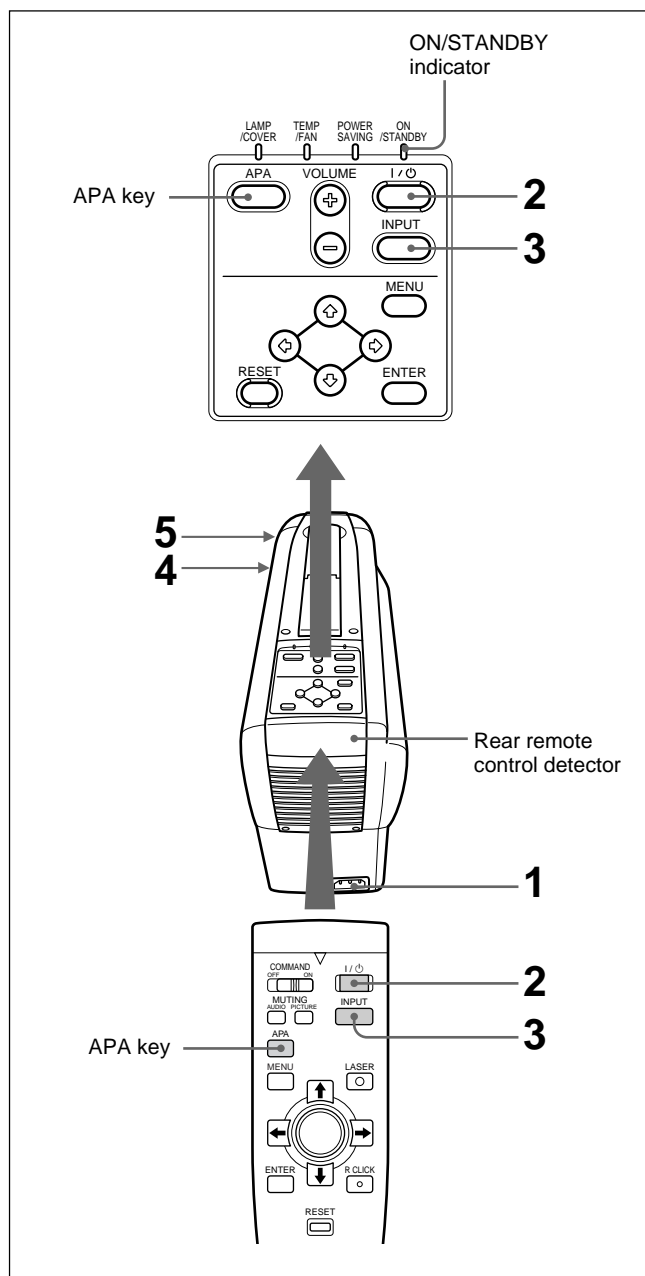


### Notes

- Set the aspect ratio using ASPECT in the INPUT SETTING menu according to the input signal.
- When you connect the unit to 15k RGB/component video equipment, select RGB or component with the INPUT-A setting in the SET SETTING menu.
- Use the composite sync signal when you input the external sync signal from 15k RGB/component equipment.



# Projecting



- 1** After all equipment is connected completely, plug the AC power cord into the wall outlet.  
The ON/STANDBY indicator lights in red and the projector goes into the standby mode.
- 2** Press the I / ⏻ key on the Remote Commander or on the control panel.  
The ON/STANDBY indicator lights in green.
- 3** Turn on equipment connected to the projector. Press the INPUT key on the Remote Commander or on the control panel to select the input source.

**INPUT-A:** Selects audio and video signals input from the INPUT A connector.

**VIDEO:** Selects audio and video signals input from the video/audio input connector. (If you connect to both the S VIDEO and VIDEO jacks, the signal from the S VIDEO jack is selected.)

- 4** Turn the zoom ring to adjust the size of the picture.
- 5** Turn the focus ring to adjust the focus.

### Note

Looking into the lens when projecting may cause injury to your eyes.

To	Press
<b>Adjust the volume</b>	the VOLUME +/- keys on the control panel or on the Remote Commander.
<b>Cut off the sound</b>	the AUDIO MUTING key on the Remote Commander. To restore the sound, press the AUDIO MUTING key again or press the VOLUME + key.
<b>Cut off the picture</b>	the PICTURE MUTING key on the Remote Commander. To restore the picture, press the PICTURE MUTING key again.

### To get the clearest picture

You can get the suitable picture when a signal from the computer is input. Press the APA key on the Remote Commander or on the control panel. The picture is automatically adjusted to be projected clearest.

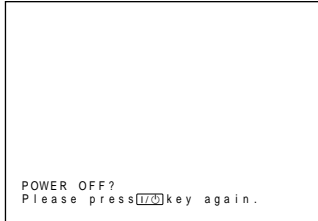
### Notes

- Adjust the signal when the still picture is displayed on the screen.
- If you switch the input signal or re-connect a computer, press the APA key again to get the suitable picture.
- “ADJUSTING” appears on the screen. Press the APA key again during the adjustment to restore the original screen.
- “Complete!” appears on the screen when the picture is adjusted properly. The picture may not be adjusted properly depending on the kinds of input signals.
- Adjust DOT PHASE in the INPUT SETTING menu when you adjust the picture manually.  
*For details on DOT PHASE, see page 21 (GB).*

## To turn off the power

- 1 Press the I / ⏻ key on the Remote Commander or on the control panel.

The following message appears to confirm if you want to turn off the power.



### Note

The message will disappear if you press any key except the I / ⏻ key, or if you do not press any key for five seconds.

- 2 Press the I / ⏻ key on the Remote Commander or on the control panel again.

The ON/STANDBY indicator flashes in green and the fan continues to run for about 90 seconds to reduce the internal heat. Also, the ON/STANDBY indicator flashes quickly for the first 30 seconds. During this time, you will not be able to turn the power back on with the I / ⏻ key.

- 3 Unplug the AC power cord from the wall outlet after the fan stops running and the ON/STANDBY indicator lights in red.

### When you cannot confirm the on-screen message

When you cannot confirm the on-screen message in a certain condition, you can turn off the power by holding the I / ⏻ key on the Remote Commander or on the control panel for about one second.

### Note

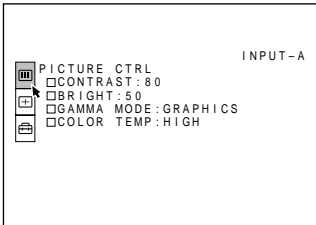
**Do not unplug the AC power cord while the fan is still running; otherwise, the fan will stop although the internal heat is still high, leading to breakdown of the projector.**

## Using the MENU

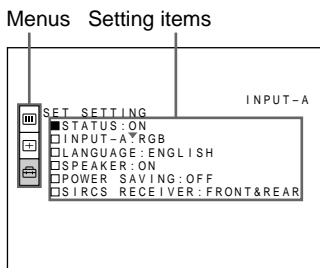
The projector is equipped with an on-screen menu for making various adjustments and settings.

To select the language used in the menu, see page 23 (GB).

- 1 Press the MENU key.  
The menu display appears.  
The menu presently selected is highlighted in blue.



- 2 Use the **↑** or **↓** key to select a menu, then press the **→** or ENTER key.  
The selected menu appears.



- 3 Make setting or adjustment on an item.  
*For details on setting individual items, see the relevant menu pages.*

### To clear the menu display

Press the MENU key.  
The menu display disappears automatically if no key is pressed for one minute.

### To reset items that have been adjusted

Press the RESET key.  
“Complete!” appears on the screen and the settings appearing on the screen will be reset to their factory preset values.

Items which can be reset are:

- “CONTRAST”, “BRIGHT”, “COLOR”, “HUE”, and “SHARP” in the PICTURE CTRL menu
- “DOT PHASE”, “SIZE”, and “SHIFT” in the INPUT SETTING menu.

### About the memory of the settings

The settings are automatically stored in the projector memory.

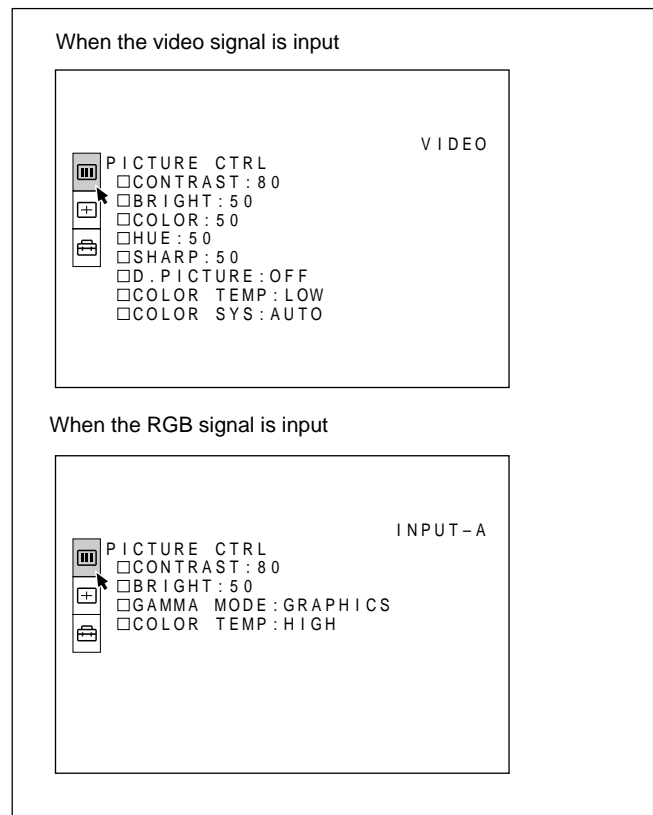
### When no signal is input

When there is no input signal, “NO INPUT—Cannot adjust this item.” appears on the screen, and each item cannot be adjusted.

## The PICTURE CTRL Menu

The PICTURE CTRL (control) menu is used for adjusting the picture.

Unadjustable items depending on the input signal are not displayed in the menu.



### Operation

#### 1. Select an item

Use the **↑** or **↓** key to select the item, then press the **→** or ENTER key.

#### 2. Adjust an item

- When changing the adjustment level:  
To increase the number, press the **↑** or **→** key.

(Continued)

To decrease the number, press the ↓ or ← key.  
Press the ENTER key to restore the original screen.

- When changing the setting:  
Press the ↑ or ↓ key to change the setting.  
Press the ENTER or ← key to restore the original screen.

---

## CONTRAST

Adjusts the picture contrast.  
The higher the setting, the greater the contrast.  
The lower the setting, the lower the contrast.

---

## BRIGHT

Adjusts the picture brightness.  
The higher the setting, the brighter the picture.  
The lower the setting, the darker the picture.

---

## COLOR

Adjusts color intensity.  
The higher the setting, the greater the intensity.  
The lower the setting, the lower the intensity.

---

## HUE

Adjusts color tones.  
The higher the setting, the picture becomes greenish.  
The lower the setting, the picture becomes purplish.

---

## SHARP

Adjusts the picture sharpness.  
The higher the setting, the sharper the picture.  
The lower the setting, the softer the picture.

---

## D. (Dynamic) PICTURE

Emphasizes the black color.  
**ON:** Emphasizes the black color to produce a bolder “dynamic” picture.  
**OFF:** Reproduces the dark portions of the picture accurately, in accordance with the source signal.

---

## GAMMA MODE

Selects a gamma correction curve.

**GRAPHICS:** Improves the reproduction of half tones. Photos can be reproduced in natural tones.

**TEXT:** Contrasts black and white. Suitable for images that contains lots of text.

---

## COLOR TEMP

Adjusts the color temperature.

**HIGH:** Makes the white color bluish.

**LOW:** Makes the white color reddish.

---

## COLOR SYS (System)

Selects the color system of the input signal.

Normally, set to AUTO.

If the picture is distorted or colorless, select the color system according to the input signal.

---

## Input signals and adjustable/setting items

Item	Input signal			
	Video or S video (Y/C)	Component	RGB	B&W
CONTRAST	●	●	●	●
BRIGHT	●	●	●	●
COLOR	●	●	—	—
HUE	● (NTSC3.58/ 4.43 only)	—	—	—
SHARP	●	●	—	●
D. PICTURE	●	●	—	●
GAMMA MODE	—	—	●	—
COLOR TEMP	●	●	●	●
COLOR SYS	●	—	—	●

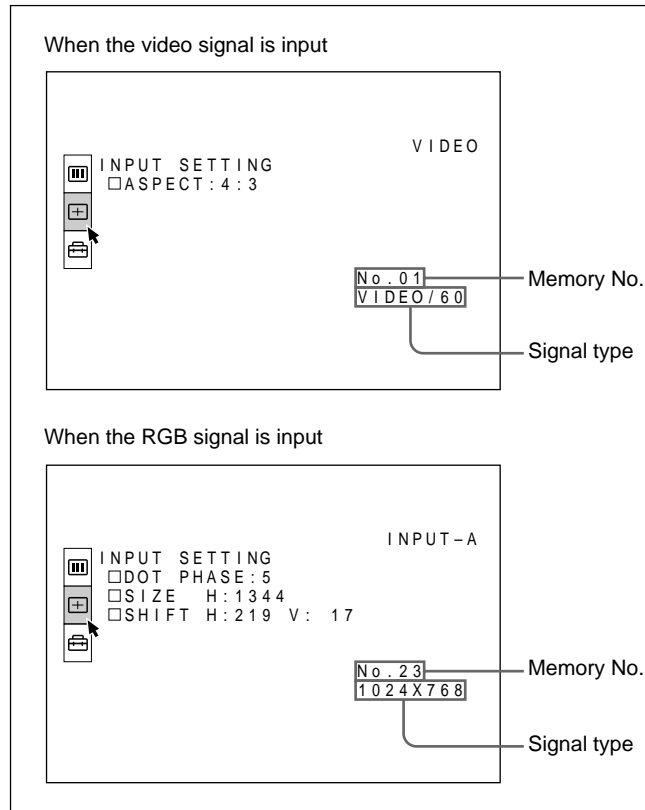
● : Adjustable/can be set

— : Not adjustable/can not be set

# The INPUT SETTING Menu

The INPUT SETTING menu is used to adjust the input signal.

Unadjustable items depending on the input signal are not displayed in the menu.



## Operation

### 1. Select an item

Use the **↑** or **↓** key to select the item, then press the **→** or **ENTER** key.

### 2. Adjust an item

- When changing the adjustment level:
  - To increase the number, press the **↑** or **→** key.
  - To decrease the number, press the **↓** or **←** key.
  - Press the **ENTER** key to restore the original screen.
- When changing the setting:
  - Press the **↑** or **↓** key to change the setting.
  - Press the **ENTER** or **←** key to restore the original screen.

## DOT PHASE

Adjusts the dot phase of the LCD panel and the signal input from the INPUT A connector. Adjust the picture further for finer picture after the picture is adjusted with pressing the APA key.

Adjust the picture to where it looks clearest.

## SIZE

Adjusts the horizontal size of picture input from the INPUT A connector.

The higher the setting, the larger the horizontal size of the picture.

The lower the setting, the smaller the horizontal size of the picture. Adjust the setting according to the dots of the input signal. For details on the suitable value for the preset signals, see page 22 (GB).

## SHIFT

Adjusts the position of the picture input from the INPUT A connector.

H adjusts the horizontal position of the picture.

V adjusts the vertical position of the picture.

As the setting for H increases, the picture moves to the right, and as the setting decreases, the picture moves to the left.

As the setting for V increases, the picture moves up, and as the setting decreases, the picture moves down.

Use the **←** or the **→** key to adjust the horizontal position and the **↑** and **↓** key for the vertical position.

## ASPECT

Sets the aspect ratio of the picture.

When inputting 16:9 (squeezed) signal from equipment such as a DVD player, set to 16:9.

**4:3:** When the picture with ratio 4:3 is input.

**16:9:** When the picture with ratio 16:9 (squeezed) is input.

## SCAN CONV (Scan converter)

Converts the signal to display the picture according to the screen size.

**ON:** Displays the picture according to the screen size. The picture will lose some clarity.

**OFF:** Displays the picture while matching one pixel of input picture element to that of the LCD. The picture will be clear but the picture size will be smaller.

### Note

When the XGA or SXGA signal is input, this item will not be displayed.

(Continued)

## Input signals and adjustable/setting items

Item	Input signal			
	Video or S video (Y/C)	15k RGB/Component	RGB	B&W
DOT PHASE	–	–	●	–
SIZE	–	–	●	–
SHIFT	–	–	●	–
ASPECT	●	●	–	●
SCAN CONV	–	–	●	–

● : Adjustable/can be set

– : Not adjustable/can not be set

### About the preset memory No.

This projector has 37 kinds of preset data for input signals for INPUT-A (the preset memory). The memory number of the current input signal and the signal type are displayed when the preset signal is input. This projector automatically detects the signal type. When the signal is registered to the preset memory, a suitable picture is displayed on the screen according to the signal type. You can adjust the picture through the INPUT SETTING menu.

This projector also has 20 kinds of user memories for INPUT-A. When an unpreset signal is input for the first time, memory number is displayed as 00. If the input signal is adjusted in the INPUT SETTING menu, the setting via INPUT-A is stored under the memory number 51 to 70. When more than 20 user memories are registered for INPUT-A, the newest memory is automatically stored over the oldest one.

## Preset signals

Memory No.	Preset signal	fH (kHz)	fV (Hz)	Sync	SIZE	
1	Video 60 Hz	15.734	59.940	H-neg V-neg		
2	Video 50 Hz	15.625	50.000	H-neg V-neg		
3	15k RGB/Component 60 Hz	15.734	59.940	H-neg V-neg		
4	15k RGB/Component 50 Hz	15.625	50.000	H-neg V-neg		
6	640 × 350	VGA mode 1	31.469	70.086	H-pos V-neg	800
7		VGA VESA <sup>a)</sup> 85 Hz	37.861	85.080	H-pos V-neg	832
8	640 × 400	PC-9801 <sup>b)</sup> Normal	24.823	56.416	H-neg V-neg	848
9		VGA mode 2	31.469	70.086	H-neg V-pos	800
10		VGA VESA 85 Hz	37.861	85.080	H-neg V-pos	832
11	640 × 480	VGA mode 3	31.469	59.940	H-neg V-neg	800
12		Macintosh 13"	35.000	66.667	H-neg V-neg	864
13		VGA VESA 72 Hz	37.861	72.809	H-neg V-neg	832
14		VGA VESA 75 Hz	37.500	75.000	H-neg V-neg	840
15		VGA VESA 85 Hz	43.269	85.008	H-neg V-neg	832
16		800 × 600	SVGA VESA 56 Hz	35.156	56.250	H-pos V-pos
17	SVGA VESA 60 Hz		37.879	60.317	H-pos V-pos	1056
18	SVGA VESA 72 Hz		48.077	72.188	H-pos V-pos	1040
19	SVGA VESA 75 Hz		46.875	75.000	H-pos V-pos	1056
20	SVGA VESA 85 Hz		53.674	85.061	H-pos V-pos	1048
21	832 × 624	Macintosh 16"	49.724	74.550	H-neg V-neg	1152
22	1024 × 768	XGA VESA 43 Hz	35.522	43.479	H-pos V-pos	1264
23		XGA VESA 60 Hz	48.363	60.004	H-neg V-neg	1344
24		XGA VESA 70 Hz	56.476	70.069	H-neg V-neg	1328
25		XGA VESA 75 Hz	60.023	75.029	H-pos V-pos	1312
26		XGA VESA 85 Hz	68.677	84.997	H-pos V-pos	1376
27	1152 × 864	SXGA VESA 70 Hz	63.995	70.016	H-pos V-pos	1472
28		SXGA VESA 75 Hz	67.500	75.000	H-pos V-pos	1600
29		SXGA VESA 85 Hz	77.487	85.057	H-pos V-pos	1568
30	1152 × 900	Sunmicro LO	61.795	65.960	H-neg V-neg	1504
31		Sunmicro HI	71.713	76.047	H-neg V-neg	1472
32	1280 × 960	SXGA VESA 60 Hz	60.000	60.000	H-pos V-pos	1800
33		SXGA VESA 75 Hz	75.000	75.000	H-pos V-pos	1728
34	1280 × 1024	SXGA VESA 43 Hz	46.433	43.436	H-pos V-pos	1696
35		SXI-5	53.316	50.062	H-neg V-neg	1680
36		SXGA VESA 60 Hz	63.974	60.013	H-pos V-pos	1696
37		SXGA VESA 75 Hz	79.976	75.025	H-pos V-pos	1688
38		SXGA VESA 85 Hz	91.146	85.024	H-pos V-pos	1296

a) VESA is a registered trademark of Video Electronics Standard Association.

b) PC-98 is a registered trademark of NEC Corporation.

Since the data is recalled from the preset memory about the following signals, you can use these preset data by adjusting SIZE. Make fine adjustment by adjusting SHIFT.

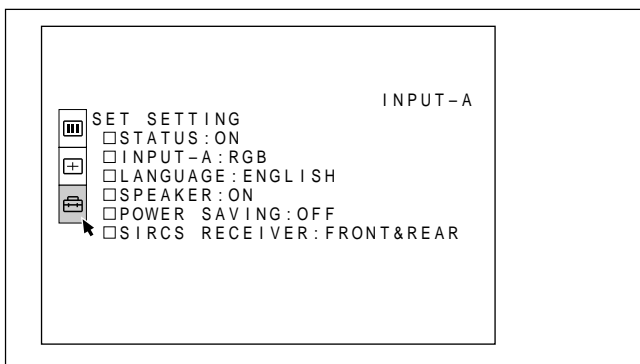
Signal	Memory No.	SIZE
Super Mac-2	23	1312
SGL-1	23	1320
Macintosh 19"	25	1328
Macintosh 21"	28	1456
Sony News	36	1708
PC-9821 1280 × 1024	36	1600
WS Sunmicro	37	1664

#### Note

When the aspect ratio of input signal is other than 4:3, a part of the screen is displayed in black.

## The SET SETTING Menu

The SET SETTING menu is used for changing the settings of the projector.



### Operation

#### 1. Select an item

Use the **↑** or **↓** key to select the item, then press the **→** or ENTER key.

#### 2. Change the setting

Press the **↑** or **↓** key to change the setting. To restore the original screen, press the ENTER or **←** key.

## STATUS (on-screen display)

Sets up the on-screen display.

**ON:** Shows all of the on-screen displays.

**OFF:** Turns off the on-screen displays except for the menus, a message when turning off the power, and warning messages.

*For details on the warning messages, see page 27 (GB).*

## INPUT-A

Selects the RGB or component signal input from the INPUT A connector.

#### Note

If the setting is not correct, “Please check INPUT-A in SET SETTING.” appears on the screen and the color of the picture becomes strange or the picture is not displayed.

## LANGUAGE

Selects the language used in the menu and on-screen displays.

Available languages are: English, French, German, Italian, Spanish, Japanese and Chinese.

## SPEAKER

Set to OFF to cut off the sound of the internal speakers. When set to OFF, “SPEAKER OFF” appears on the screen when you turn on the power.

## POWER SAVING

When set to ON, the projector goes into the power saving mode if no signal is input for 10 minutes.

## SIRCS RECEIVER

Selects the remote control detectors (SIRCS receiver) on the front and rear of the projector.

**FRONT & REAR:** Activates both the front and rear detectors.

**FRONT:** Activates the front detector only.

**REAR:** Activates the rear detector only.

# Maintenance

## Replacing the Lamp

When it is time to replace the lamp, replace the lamp promptly with a new LMP-P120 Projector Lamp.

### When replacing the lamp after using the projector

Turn off the projector, then unplug the power cord. Wait for at least an hour for the lamp to cool.

#### Note

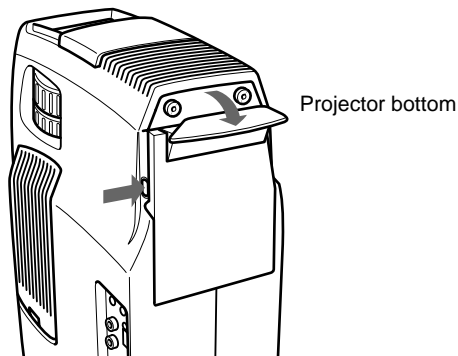
The lamp becomes a high temperature after turning off the projector with the I / ⏻ key. If you touch the lamp, you may scald your finger. When you replace the lamp, wait for at least an hour for the lamp to cool.

- 1 Place a protective sheet (cloth) beneath the projector. Tilt the projector 90 degrees backward so you can see the bottom.

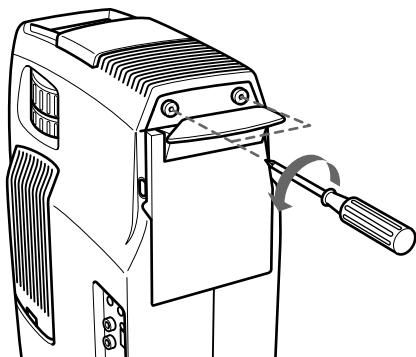
#### Note

Be careful not to topple over the projector after turning it over.

- 2 Press the adjuster button. The adjuster will extend from the projector.



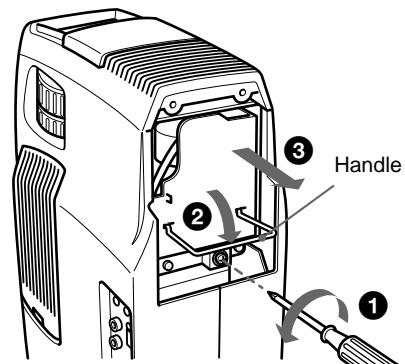
- 3 Open the lamp cover that is a part of the adjuster by loosening two screws with the Philips screwdriver (supplied with the LMP-P120 Projector Lamp).



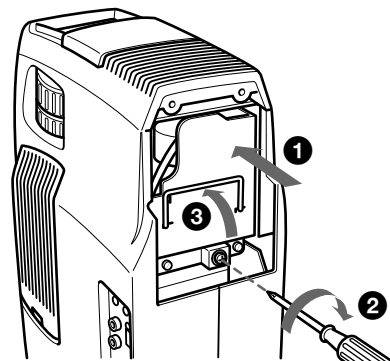
#### Note

For safety sake, do not loosen any other screws.

- 4 Loosen the screw on the lamp unit with the Philips screwdriver. Pull out the lamp unit by the handle.



- 5 Insert the new lamp all the way in until it is securely in place. Tighten the screw. Fold up the handle.



#### Notes

- Be careful not to touch the glass surface of the lamp.
- The power will not turn on if the lamp is not secured properly.

- 6 Close the lamp cover and tighten the screws.
- 7 Turn the adjuster inward and push it back.
- 8 Turn the projector back over.
- 9 Connect the power cord and turn the projector to the standby mode.
- 10 Press the following keys on the control panel in the following order for less than in five seconds each: RESET, ←, →, ENTER.



**Notes**

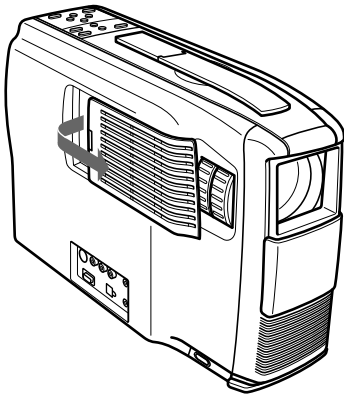
- Be sure to use the LMP-P120 Projector Lamp for replacement. If you use lamps other than LMP-P120, the projector may cause a malfunction.
- Be sure to turn off the projector and unplug the power cord before replacing the lamp.
- Do not put your hands into the lamp replacement spot, or not fall any liquid or object into it to avoid electrical shock or fire.

**Cleaning the Air Filter**

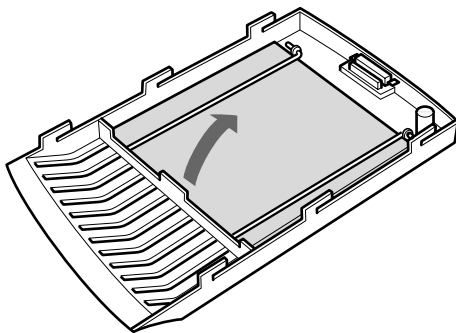
The air filter should be cleaned every 300 hours. When it becomes difficult to remove the dust from the filter, replace the filter with a new one.

To clean the air filter, follow the steps below:

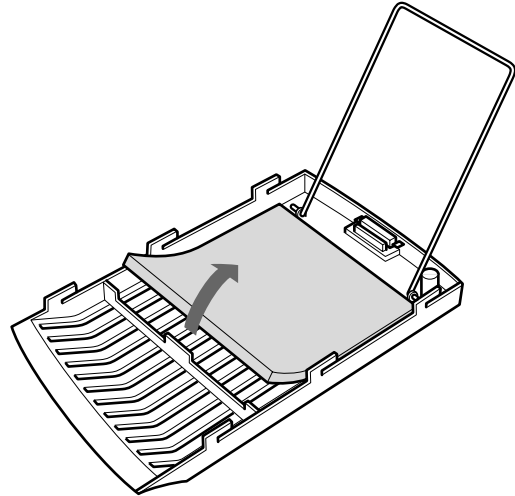
- 1** Turn off the power and unplug the power cord.
- 2** While holding down the air filter cover button on the filter cover, slide the cover toward the lens to remove it.



- 3** Pull up the spring.



- 4** Remove the air filter.



- 5** Remove the dust from the filter with a vacuum cleaner.
- 6** Attach the air filter and replace the cover.

# Troubleshooting

If the projector appears to be operating erratically, try to diagnose and correct the problem, using the following guide. If the problem still persists, consult with qualified Sony personnel.

Symptom	Cause	Remedy
The power is not turned on.	The power has been turned off and on with the I / ⏻ key at a short interval.	Wait for about 90 seconds before turning on the power (see page 17 (GB)).
	The lamp cover is detached.	Close the lamp cover securely (see page 24 (GB)).
	The air filter cover is detached.	Close the air filter cover securely (see page 25 (GB)).
No picture and no sound.	Cable is disconnected.	Check that the proper connections have been made (see pages 14 (GB) to 16 (GB)).
	Wrong connection.	Check that the proper connections have been made (see pages 14 (GB) to 16 (GB)).
	Input selection is incorrect.	Select the input source correctly using the INPUT key (see page 17 (GB)).
No picture or no sound.	Either the picture or the sound is cut off.	Press the MUTING keys to release the muting function (see page 17 (GB)).
No picture.	The computer signal is not set to output to external monitor.	Set the computer signal to output to external monitor (see page 14 (GB)).
	The computer signal is set to output to both the LCD of the computer and external monitor.	Set the computer signal to output only to external monitor (see page 14 (GB)).
The picture is noisy.	Noise may appear on the background depending on the combination of the numbers of dot input from the connector and numbers of pixel on the LCD panel.	Change the desktop pattern on the connected computer.
When inputting sound through INPUT A connector, sound comes through one channel only.	Monaural sound is being input through the INPUT A connector.	Input stereo sound.
The picture input from the INPUT A connector is too bright.	The 75-ohm termination switch on the bottom of the VPL-PX1 is set to OFF.	Set the 75-ohm termination switch to ON.
The picture from INPUT A connector is colored strange.	Setting for INPUT-A in the SET SETTING menu is incorrect.	Select RGB or COMPONENT for INPUT-A in the SET SETTING menu according to the input signal (see page 23 (GB)).
"Please check INPUT-A in SET SETTING." appears in spite of inputting the correct signal from INPUT A.	Setting for INPUT-A in the SET SETTING menu is incorrect.	Select RGB or COMPONENT for INPUT-A in the SET SETTING menu according to the input signal (see page 23 (GB)).
On-screen display do not appear.	STATUS in the SET SETTING menu has been set to OFF.	Set STATUS in the SET SETTING menu to ON (see page 23 (GB)).
Color balance is incorrect.	Picture has not been adjusted properly.	Adjust the picture (see pages 19 (GB) and 20 (GB)).
	Projector is set to wrong color system.	Set COLOR SYS in the PICTURE CTRL menu to match the color system being input (see page 20 (GB)).
The picture is too dark.	Contrast or brightness has not been adjusted properly.	Adjust the contrast or brightness in the PICTURE CTRL menu properly (see page 20 (GB)).
The picture is not clear.	Picture is out of focus.	Adjust the focus (see page 17 (GB)).
	Condensation has occurred on the lens.	Leave the projector for about two hours with the power on (see page 28 (GB)).

Symptom	Cause	Remedy
The LAMP/COVER indicator flashes.	The lamp cover or the air filter cover is detached.	Attach the cover securely (see pages 24 (GB) and 25 (GB)).
The LAMP/COVER indicator lights up.	The lamp has reached the end of its life.	Replace the lamp (see page 24 (GB)).
	The lamp becomes a high temperature.	Wait for 90 seconds to cool down the lamp and turn on the power again (see page 17 (GB)).
The TEMP/FAN indicator flashes.	The fan is broken.	Consult with qualified Sony personnel.
The TEMP/FAN indicator lights up.	The internal temperature is unusually high.	Check to see if nothing is blocking the ventilation holes.
The Remote Commander does not work.	The Remote Commander batteries are dead.	Replace with new batteries (see page 13 (GB)).
	The COMMANDER ON/OFF switch is set to the OFF position.	Set the switch to ON position (see page 12 (GB)).
	The cable is connected to the CONTROL S OUT jack.	Disconnect the cable (see page 12 (GB)).
	The front/rear remote control detector is near the fluorescent lamp.	Change the setting of SIRCS RECEIVER in the SET SETTING menu (see page 23 (GB)).
The laser pointer is not emitted.	The batteries are dead.	Replace with new batteries (see page 13 (GB)).
	The Remote Commander is used as wired without batteries.	Install batteries (see page 13 (GB)).
The joystick, R CLICK, or L CLICK key does not function.	The mouse port on the computer does not recognize the mouse cable.	Restart the computer.

## Warning messages

Use the list below to check the meaning of the messages displayed on the screen.

Message	Meaning	Remedy
High Temperature! Power off in 1 min.	Internal temperature is too high.	Turn off the power. Check to see if nothing is blocking the ventilation holes.
Frequency is out of range!	This input signal cannot be projected as the frequency is out of the acceptable range of the projector.	Input a signal that is within the range of the frequency.
	The resolution setting of the output signal of a computer is too high.	Set the setting of output to the XGA (see page 14 (GB)).
Please check INPUT-A in SET SETTING.	You have input RGB signal from the computer when INPUT-A in the SET SETTING menu is set to COMPONENT.	Set INPUT-A correctly (see page 23 (GB)).

## Caution messages

Use the list below to check the meaning of the messages displayed on the screen.

Message	Meaning	Remedy
NO INPUT	No input signal	Check connections (see page 14 (GB) to 16 (GB)).
Not applicable!	You have pressed the wrong key.	Press the appropriate key.

# Tips for Installation

## Unsuitable Installation

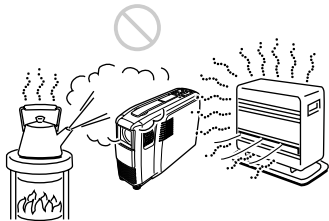
Do not install the projector in the following situations. These installations may cause malfunction or damage to the projector.

### Poorly ventilated



- Allow adequate air circulation to prevent internal heat build-up. Do not place the unit on surfaces (rugs, blankets, etc.) or near materials (curtains, draperies) that may block the ventilation holes. When the internal heat builds up due to the block-up, the temperature sensor will function with the message “High Temperature! Power off in 1 min.” The power will be turned off automatically after one minute.
- Leave space of more than 30 cm (11 7/8 inches) around the unit.
- Be careful that the ventilation holes may inhale tininess such as a piece of paper.

### Highly heated and humid



- Avoid installing the unit in a location where the temperature or humidity is very high, or temperature is very low.
- To avoid moisture condensation, do not install the unit in a location where the temperature may rise rapidly.

### Very dusty

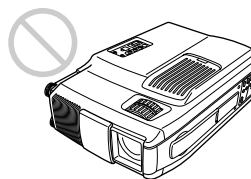


Avoid installing the unit in a location where there is a lot of dust; otherwise, the air filter will be obstructed. The dust blocking the air through the filter may cause raising the internal heat of the projector. Clean it up periodically.

## Notes on Installation

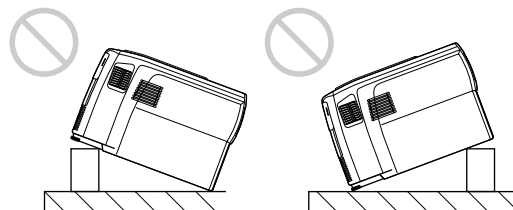
Carry out the followings.

### No toppling of the unit



Avoid using as the unit topples over on its side. It may cause malfunction.

### Use to be level



Do not install the unit other than on the floor. Do not adjust the height of the projector except the use of the adjuster. Avoid using as the unit tilts upward or downward. These installation may cause malfunction.

### No blocking the ventilation holes



Avoid using something to cover over the ventilation holes; otherwise, the internal heat may build up.

# Specifications

## Optical characteristics

Projection system	3 LCD panels, 1 lens, projection system
LCD panel	0.9-inch TFT LCD panel with micro-lens array, 2,359,296 pixels (786,432 pixels × 3)
Lens	1.3 times zoom lens f 37.3 to 48.5 mm/F 1.7 to 2.0
Lamp	120 W UHP
Projection picture size	Range: 40 to 200 inches (diagonal measure)
Light output	ANSI lumen <sup>1)</sup> 1000 lm
Throwing distance	40-inch: 1590 to 2040 mm (62 <sup>5</sup> / <sub>8</sub> to 80 <sup>3</sup> / <sub>8</sub> inches) 60-inch: 2440 to 3100 mm (96 <sup>1</sup> / <sub>8</sub> to 122 <sup>1</sup> / <sub>8</sub> inches) 80-inch: 3280 to 4160 mm (129 <sup>1</sup> / <sub>4</sub> to 163 <sup>7</sup> / <sub>8</sub> inches) 100-inch: 4120 to 5220 mm (162 <sup>1</sup> / <sub>4</sub> to 205 <sup>5</sup> / <sub>8</sub> inches) 120-inch: 4970 to 6280 mm (195 <sup>3</sup> / <sub>4</sub> to 247 <sup>1</sup> / <sub>4</sub> inches) 150-inch: 6230 to 7870 mm (245 <sup>3</sup> / <sub>8</sub> to 309 <sup>7</sup> / <sub>8</sub> inches) 200-inch: 8340 to 10520 mm (328 <sup>3</sup> / <sub>8</sub> to 414 <sup>1</sup> / <sub>4</sub> inches)

## Electrical characteristics

Color system	NTSC <sub>3.58</sub> /PAL/SECAM/NTSC <sub>4.43</sub> /PAL-M system, switched automatically/manually
Resolution	750 horizontal TV lines (Video input) 1024 × 768 dots (RGB input)
Acceptable computer signals	fH: 15 to 91 kHz fV: 50 to 85 Hz
Speaker	Stereo speakers system, 36 mm (1 <sup>7</sup> / <sub>16</sub> inches) diameter, max. 1.0 W × 2

## Input/Output

Video/audio input	VIDEO: phono type Composite video: 1 Vp-p ±2 dB sync negative (75 ohms terminated) S VIDEO: Y/C mini DIN 4-pin type (male) Y (luminance): 1 Vp-p ±2 dB sync negative (75 ohms terminated) C (chrominance): burst 0.286 Vp-p ±2 dB (NTSC) (75 ohms terminated), burst 0.3 Vp-p ±2 dB (PAL) (75 ohms terminated) AUDIO: Phono type × 2 500 mVrms, impedance more than 47 kilohms
INPUT A	INPUT A: HD D-sub15-pin (female) Analog RGB/component: R/R-Y: 0.7 Vp-p ±2 dB (75 ohms terminated) G: 0.7 Vp-p ±2 dB (75 ohms terminated) G with sync/Y: 1 Vp-p ±2 dB sync negative (75 ohms terminated) B/B-Y: 0.7 Vp-p ±2 dB (75 ohms terminated) SYNC/HD: Composite sync input: 1-5 Vp-p high impedance, positive/negative Horizontal sync input: 1-5 Vp-p high impedance, positive/negative VD: Vertical sync input: 1-5 Vp-p high impedance, positive/negative MOUSE (output): 13-pin (female) (For details, see "Pin assignment" on page 30 (GB).) AUDIO: Stereo minijack 500 mVrms, impedance more than 47 kilohms

(Continued)

1) ANSI lumen is a measuring method of American National Standard IT 7.228.

Specifications

AUDIO OUT (variable out): stereo minijack  
 Max. 500 mVrms, impedance  
 less than 5 kilohms  
 Safety regulations: UL1950, cUL (CSA C22.2  
 No.950), FCC Class A, IC Class  
 A, DHHS,  
 EN60950, EN60825-1, CE, C-Tick

**Laser beam**

Laser type           Class 2  
 Wavelength        645 nm  
 Output               1 mW

**General**

Dimensions           108 × 223 × 337 mm (4 3/8 × 8 7/8 ×  
 13 3/8 inches) (w/h/d)  
 Mass                 Approx. 4 kg (8 lb 13 oz)  
 Power requirements  
                         AC 100 to 240 V, 2A/0.9A,  
                         50/60 Hz  
 Power consumption  
                         Max. 200 W (Standby mode: 2 W)  
 Heat dissipation    648.37 BTU  
 Operating temperature  
                         0°C to 40°C (32°F to 104°F)  
 Operating humidity  
                         35% to 85% (no condensation)  
 Storage temperature  
                         -20°C to 60°C (-4°F to 140°F)  
 Storage humidity    10% to 90%  
 Supplied accessories  
                         Remote Commander RM-PJM600  
                         (1)  
                         Size AA (R6) batteries (2)  
                         HD D-sub 15-pin Cable (1)  
                         Mouse Cable  
                         SIC-S22 (for PS/2) (2 m) (1)  
                         Audio/video cable (1.5 m) (1)  
                         Strap for Remote Commander (1)  
                         AC power cord (1)  
                         Air filter (for replacement) (1)  
                         Operating Instructions (1)  
                         Quick Reference Card (1)  
                         Warranty Card (1)

Design and specifications are subject to change  
 without notice.

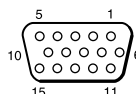
**Optional accessories**

Projector Lamp LMP-P120<sup>1)</sup> (for replacement)  
 Carrying Case VLC-SC50<sup>1)</sup>  
 Signal Selector IFU-SC50  
 Video Signal Cable SMF-401 (HD D-sub 15-pin  
 (male) ↔ HD D-sub 15-pin (male))  
 Signal Cable  
                         SMF-402 (HD D-sub 15-pin (male) ↔ 3 × phono  
                         type (male))  
 Mouse Cable  
                         SIC-S20 (for Macintosh) (2 m)  
                         SIC-S21 (for Serial) (2 m)  
                         SIC-S22 (for PS/2) (2 m)  
 Signal Adapter  
                         ADP-10 (HD D-sub 15-pin ↔ D-sub 9-pin (for  
                         SIC cable))  
                         ADP-20 (Macintosh ↔ HD D-sub 15-pin)  
 SIC cable  
                         SIC-20A/20C/21/22  
 Screens  
                         80-inch Portable VPS-80C  
                         100-inch Flat Screen VPS-100FH  
                         120-inch Flat Screen VPS-120FH

*Some of the items may not be available in some areas. For  
 details, please consult your nearest Sony office.*

**Pin assignment**

**INPUT A connector (HD D-sub 15-pin, female)**



1	R/R-Y	9	N.C.
2	G/Y	10	GND
3	B/B-Y	11	GND
4	GND	12	N.C.
5	GND	13	HD/C.Sync
6	GND (R)	14	VD
7	GND (G)	15	N.C.
8	GND (B)		

1) LMP-P120 and VLC-SC50 may not be available in some areas. For details, please consult your nearest Sony office.

**MOUSE connector (13-pin, female)**



1	RTS	8	R
2	GND	9	98/AT/TXD
3	XA	10	+5V/DTR
4	XB	11	CLOCK
5	YA	12	DATA
6	YB	13	RXD
7	L/PS		

**Mouse cable pin assignment**

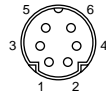
**SIC-S22**

13-pin



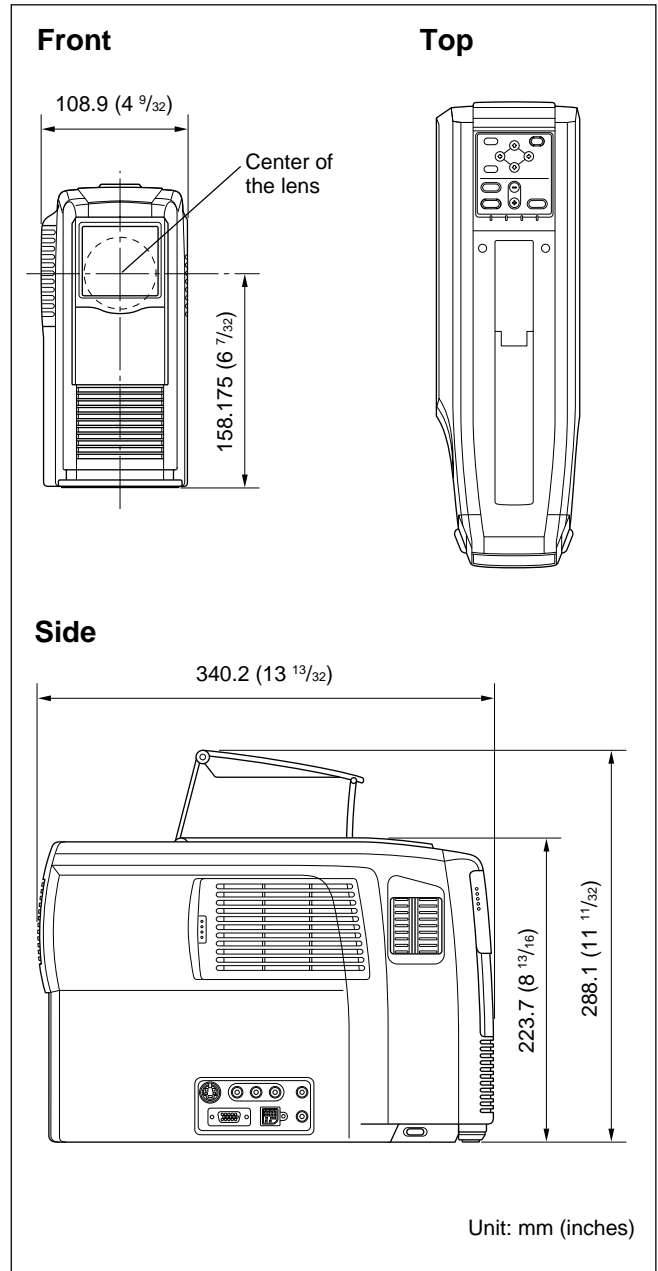
1	RTS	8	R
2	GND	9	98/AT/TXD
3	XA	10	+5V/DTR
4	XB	11	CLOCK
5	YA	12	DATA
6	YB	13	RXD
7	L/PS		

mini DIN 6-pin



1	DATA
2	NC
3	GND
4	+5V
5	CLOCK
6	NC

**Dimensions**



---

# Index

---

## A

- Adjuster 9 (GB)
- Adjusting
  - memory of the settings 19 (GB)
  - the picture 19 (GB), 20 (GB)
  - the picture size/shift 21 (GB)
- Air filter 25 (GB)
- ASPECT 21 (GB)

---

## B

- Battery
  - installation 13 (GB)
  - notes 13 (GB)
- BRIGHT 20 (GB)

---

## C

- Carrying handle 8 (GB)
- COLOR 20 (GB)
- COLOR SYS (System) 20 (GB)
- COLOR TEMP 20 (GB)
- Connections
  - component equipment 16 (GB)
  - computer 14 (GB)
  - VCR 16 (GB)
- CONTRAST 20 (GB)
- Cut off
  - the picture 17 (GB)
  - the sound 17 (GB)

---

## D, E, F

- Dimensions 31 (GB)
- D. (Dynamic) PICTURE 20 (GB)
- DOT PHASE 21 (GB)

---

## G

- GAMMA MODE 20 (GB)

---

## H

- HUE 20 (GB)

---

## I, J, K

- INPUT-A 23 (GB)
- INPUT A connector 11 (GB)
  - pin assignment 30 (GB)
- INPUT SETTING menu 21 (GB)
- Installation examples 14 (GB)
  - notes 28 (GB)
  - unsuitable places 28 (GB)

---

## L

- Lamp replacement 24 (GB)
- LANGUAGE 23 (GB)
- Laser pointer function 12 (GB)
- Location and function of controls
  - connector panel 11 (GB)
  - control panel 10 (GB)
  - front/left side 8 (GB)
  - rear/right side/bottom 8 (GB)
  - Remote Commander 12 (GB)

---

## M, N

- Menu
  - clearing the menu display 19 (GB)
  - INPUT SETTING menu 21 (GB)
  - PICTURE CTRL menu 19 (GB)
  - SET SETTING menu 23 (GB)
  - using the menu 19 (GB)
- Message
  - caution 27 (GB)
  - warning 27 (GB)
- Mouse cable
  - connection 15 (GB)
  - pin assignment 31 (GB)
- Mouse connector 11 (GB)
  - pin assignment 31 (GB)

---

## O

- Optional accessories 30 (GB)

---

## P, Q

- PICTURE CTRL menu 19 (GB)
- Pin assignment 30 (GB), 31 (GB)
- Power
  - turn off 18 (GB)
  - turn on 17 (GB)
- POWER SAVING 10 (GB), 23 (GB)
- Precautions 6 (GB)

---

## R

- Remote Commander
  - battery installation 13 (GB)
  - laser pointer function 12 (GB)
  - location and function of controls 12 (GB)
- Remote control detector
  - front 8 (GB)
  - rear 8 (GB)
  - setting 23 (GB)
- Reset
  - resettable items 19 (GB)
  - resetting the item 19 (GB)

---

## S

- SCAN CONV (Scan converter) 21 (GB)
- Screen size 14 (GB), 22 (GB), 29 (GB)
- SET SETTING menu 23 (GB)
- SHARP 20 (GB)
- SHIFT 21 (GB)
- SIRCS RECEIVER 8 (GB), 23 (GB)
- SIZE 21 (GB)
- SPEAKER 23 (GB)
- Specifications 29 (GB)
- STATUS (on-screen display) 23 (GB)
- Supplied accessories 30 (GB)

---

## T, U

- Troubleshooting 26 (GB)

---

## V, W, X, Y, Z

- Ventilation holes
  - exhaust 8 (GB)
  - intake 9 (GB)





# AVERTISSEMENT

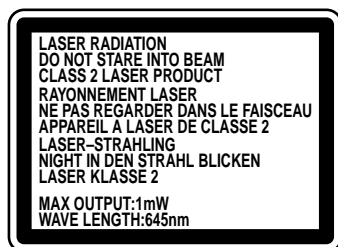
Afin d'éviter tout risque d'incendie et d'électrocution, ne pas exposer l'appareil à la pluie ou à l'humidité.

Pour éviter tout risque de décharge électrique, ne pas ouvrir le boîtier. Confiez l'entretien uniquement à un personnel qualifié.

## Pour les utilisateurs au Canada

Cet appareil numérique de la classe A est conforme à la norme NMB-003 du Canada.

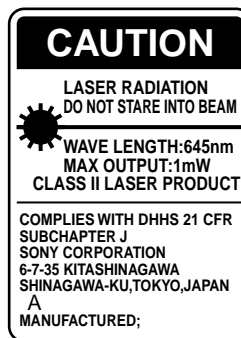
La prise doit être près de l'appareil et facile d'accès.



Cette étiquette est apposée au dos de la télécommande.



Cette étiquette est apposée sur le côté de la télécommande.



Cette étiquette est apposée au dos de la télécommande.



Cette étiquette est apposée au dos de la télécommande.

Le rayon laser est émis par cette fenêtre.



## Attention

L'utilisation de commandes ou de réglages, ou l'exécution de procédures autres que celles spécifiées peut entraîner une exposition dangereuse à des radiations.

## Remarques

- N'orientez pas le laser en direction de personnes et ne regardez pas dans l'émetteur laser.
- En cas de problème avec la télécommande, adressez-vous à un personnel Sony qualifié. Nous remplaçons la télécommande par une neuve conformément aux termes de la garantie.

## Avertissement sur la connexion électrique

Utilisez un cordon d'alimentation approprié à votre tension secteur locale.

	Etas-Unis, Canada		Europe continentale		Royaume-Uni, Irlande, Australie, Nouvelle-Zélande	Japon
Type de fiche	VM0233	290B	YP-12A	COX-07	— <sup>1)</sup>	VM1296
Extrémité femelle	VM0089	386A	YC-13B	COX-02	VM0310B	VM10505
Type de cordon	SJT	SJT	H05VV-F	H05VV-F	N13237/CO-228	HVCTF
Tension et courant nominaux	10A/125V	10A/125V	10A/250V	10A/250V	10A/250V	13A/125V
Agréation de sécurité	UL/CSA	UL/CSA	VDE	VDE	VDE	DENTORI

1) Remarque : Utilisez une fiche de l'intensité appropriée suivant les réglementations locales.

# Table des matières

## Aperçu

<b>Précautions</b> .....	<b>4 (FR)</b>
<b>Caractéristiques</b> .....	<b>5 (FR)</b>
<b>Emplacement et fonction des commandes</b> .....	<b>6 (FR)</b>
Avant/Côté gauche .....	6 (FR)
Arrière/Côté droit/Dessous .....	6 (FR)
Panneau de commande .....	8 (FR)
Panneau des connecteurs .....	9 (FR)
Télécommande .....	10 (FR)

## Installation et projection

<b>Installation du projecteur</b> .....	<b>12 (FR)</b>
<b>Raccordement</b> .....	<b>12 (FR)</b>
Raccordement à un ordinateur .....	12 (FR)
Raccordement à un magnétoscope/ appareil à signal RVB 15k/ à composantes .....	14 (FR)
<b>Projection</b> .....	<b>15 (FR)</b>

## Ajustements et réglages à l'aide des menus

<b>Utilisation du MENU</b> .....	<b>17 (FR)</b>
<b>Le menu CTRL IMAGE</b> .....	<b>17 (FR)</b>
<b>Le menu REGL ENTREE</b> .....	<b>19 (FR)</b>
<b>Le menu REGLAGE</b> .....	<b>22 (FR)</b>

## Entretien

<b>Entretien</b> .....	<b>23 (FR)</b>
Remplacement de la lampe .....	23 (FR)
Nettoyage du filtre à air .....	24 (FR)
<b>Guide de dépannage</b> .....	<b>25 (FR)</b>

## Divers

<b>Conseils en vue de l'installation</b> .....	<b>27 (FR)</b>
Installation déconseillée .....	27 (FR)
Remarques concernant l'installation .....	27 (FR)
<b>Spécifications</b> .....	<b>28 (FR)</b>
<b>Index</b> .....	<b>31 (FR)</b>

---

# Précautions

---

## Sécurité

- Vérifiez si la tension de service de votre appareil est identique à la tension secteur locale.
- Si des liquides ou des solides venaient à tomber dans le châssis, débranchez l'appareil et faites-le vérifier par un personnel qualifié avant de le remettre en service.
- Débranchez l'appareil de la prise murale si vous prévoyez de ne pas l'utiliser pendant plusieurs jours.
- Pour débrancher le cordon, saisissez-le par la fiche. Ne tirez jamais sur le cordon proprement dit.
- La prise d'alimentation doit se trouver à proximité du moniteur et être aisément accessible.
- L'appareil n'est pas déconnecté de la source d'alimentation (secteur) aussi longtemps qu'il reste branché sur la prise murale, même si l'appareil proprement dit a été mis hors tension.
- Ne regardez pas vers l'objectif lorsque la lampe est allumée.
- N'orientez pas le laser vers des personnes et ne regardez pas vers le transmetteur laser.
- Ne placez pas la main ou d'autres objets à proximité des orifices de ventilation — l'air expulsé est brûlant.
- Veillez à ne pas vous coincer les doigts dans le support réglable lorsque vous soulevez le projecteur. Ne poussez pas trop fort sur le dessus du projecteur lorsque le support réglable est abaissé.

---

## Eclairage

- Pour obtenir la meilleure qualité d'image possible, l'avant de l'écran ne doit pas être directement exposé à la source d'éclairage ni au rayonnement solaire.
- Nous préconisons un éclairage au moyen de spots fixés au plafond. Placez un écran sur les lampes fluorescentes de façon à éviter une altération du niveau de contraste.
- Occultez les fenêtres qui font face à l'écran au moyen de draperies opaques.
- Il est préférable d'installer le projecteur dans une pièce où le sol et les murs ne sont pas revêtus d'un matériau réfléchissant la lumière. Si le sol et les murs réfléchissent la lumière, nous vous conseillons de remplacer le revêtement du sol et des murs par une couleur sombre.

---

## Prévention de la surchauffe interne

Après avoir mis l'appareil hors tension au moyen de la touche I / ⏻ de la télécommande ou du panneau de commande, ne débranchez pas l'appareil de la prise secteur tant que le ventilateur de refroidissement continue à tourner.

### Attention

Le projecteur est équipé d'orifices de ventilation (prise d'air) sur le côté droit et d'orifices de ventilation (sortie d'air) à l'avant et à l'arrière. N'obstruez pas ces orifices et ne placez rien à proximité, car vous risqueriez de provoquer une surchauffe interne pouvant entraîner une altération de l'image ou des dommages au projecteur.

---

## Entretien

- Pour conserver au châssis l'éclat du neuf, nettoyez-le régulièrement à l'aide d'un chiffon doux. Les taches tenaces s'éliminent en frottant avec un chiffon doux légèrement imprégné d'une solution détergente neutre. N'utilisez en aucun cas des solvants puissants tels que du diluant ou de la benzine ni de nettoyants abrasifs qui risqueraient d'altérer le fini du châssis.
- Ne touchez pas l'objectif. Pour éliminer la poussière de l'objectif, utilisez un chiffon doux et sec. N'utilisez pas de chiffon humide, de solution détergente ni de diluant.
- Nettoyez le filtre à air à intervalles réguliers.

---

## Emballage

- Conservez le carton d'emballage et les matériaux de conditionnement d'origine, car ils constituent une protection idéale en vue du transport de l'appareil. Pour une protection maximale, remballer votre appareil comme il a été emballé à l'origine en usine.

# Caractéristiques

## Facilité d'emport

- **Poids léger, format compact**

Ce projecteur ne pèse qu'approx. 4 kg (8 lb 13 oz) grâce à l'adoption d'un châssis moulé sous pression en alliage au magnésium. Il est également équipé d'une poignée de transport qui vous permet de l'emporter aisément avec votre ordinateur.

## Réduction de bruit

Les bruits de fonctionnement du projecteur ont été réduits grâce à un nouveau mécanisme de refroidissement.

## Stabilité

Ce projecteur utilise un nouveau dispositif de réglage d'angle d'installation pour améliorer la stabilité.

## Luminosité élevée, haute qualité d'image

- **Luminosité élevée**

L'adoption d'un nouveau système optique et de la nouvelle lampe UHP de 120 W autorisent une haute luminosité (1000 lumen ANSI de rendement lumineux) et une excellente uniformité de l'image.

- **Haute définition**

Utilisant trois panneaux XGA de 0,9 pouces et de 790.000 pixels et un ensemble de micro-lentilles, ce projecteur offre une résolution de 1024 × 768 points pour l'entrée RVB et 750 lignes TV horizontales pour l'entrée vidéo.

## Installation et présentation simplifiées

- **Installation simplifiée avec un appareil externe**

Ce projecteur est pré-réglé pour 37 types de signaux d'entrée. Vous pouvez projeter les images d'une source de signal extérieure en raccordant l'équipement concerné avec le câble fourni et en appuyant sur la touche APA.

- **Télécommande avec fonctions de commande de souris et pointeur laser**

Vous pouvez commander un ordinateur au moyen de la télécommande étant donné que l'appareil dispose d'un récepteur de souris intégré. Pour votre présentation, vous pouvez également utiliser le pointeur laser intégré à la télécommande.

## Compatible avec différents signaux d'entrée

- **Convertisseur de balayage chargé**

Ce projecteur dispose d'un convertisseur de balayage intégré qui convertit le signal d'entrée en 1024 × 768 points.

- **Signaux d'entrée compatibles**

Ce projecteur accepte les signaux vidéo composites, S vidéo et à composantes, ainsi que les signaux RVB 15k, VGA<sup>1)</sup>, SVGA<sup>1)</sup>, XGA<sup>1)</sup> et SXGA<sup>1)</sup>, qui peuvent tous être affichés.

- **Compatible avec cinq systèmes couleur**

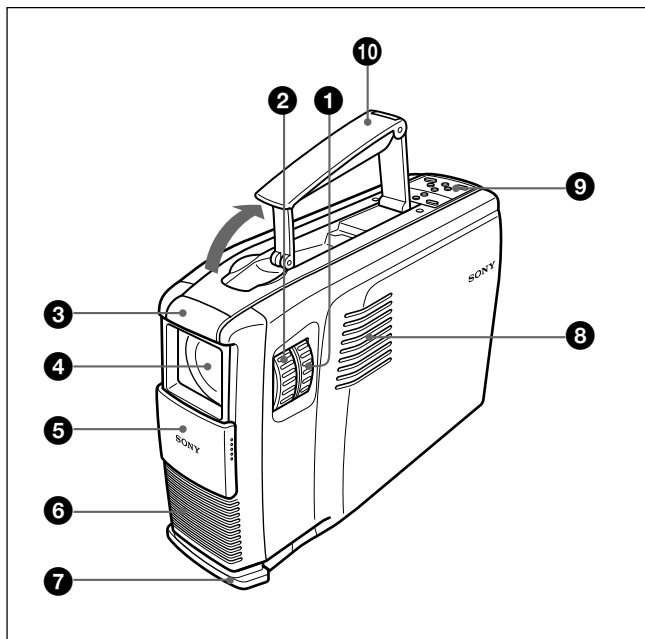
Les systèmes couleur NTSC, PAL, SECAM, NTSC<sub>4.43</sub><sup>2)</sup> ou PAL-M peuvent être sélectionnés automatiquement ou manuellement.

1) VGA, SVGA, XGA et SXGA sont des marques de fabrique déposées de International Business Machines Corporation, U.S.A.

2) NTSC<sub>4.43</sub> est le système couleur utilisé lors de la reproduction d'enregistrements vidéo réalisés sur un magnétoscope NTSC ou NTSC<sub>4.43</sub>.

# Emplacement et fonction des commandes

## Avant/Côté gauche



### ❶ Bague de zoom

Ajuste la taille de l'image.

### ❷ Bague de mise au point

Ajuste la mise au point de l'image.

### ❸ Capteur de télécommande frontal (Récepteur SIRCS)

### ❹ Objectif

Ouvrez le volet de l'objectif avant toute utilisation.

### ❺ Volet de l'objectif

### ❻ Orifices de ventilation (sortie)

### ❼ Support réglable

Si l'image est projetée hors de l'écran, ajustez l'image à l'aide de ce dispositif de réglage.

Pour plus de détails sur l'utilisation du support réglable, voir "Utilisation du support réglable" à la page 7 (FR).

### ❽ Haut-parleur gauche

### ❾ Panneau de commande

Pour plus de détails, voir "Panneau de commande" à la page 8 (FR).

### ❿ Poignée de transport

Déployez la poignée du projecteur en vue de son transport.

### Remarque

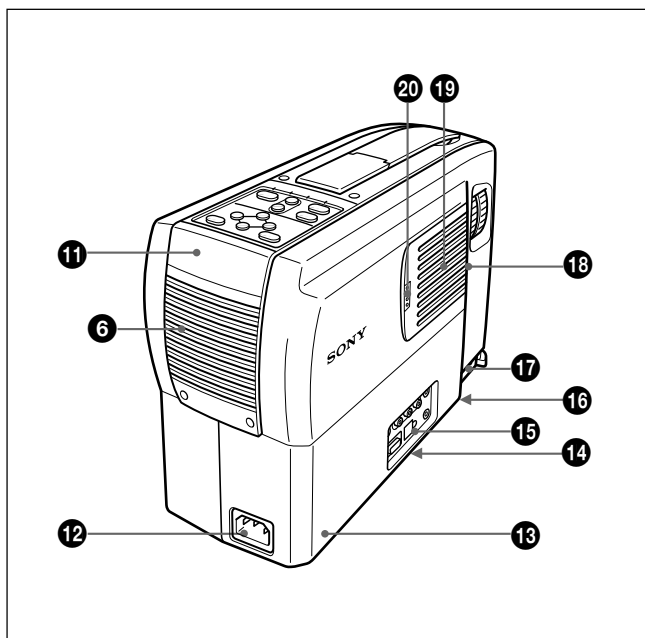
Veillez à ne pas vous blesser aux doigts lorsque vous repliez la poignée.

### ❶❶ Capteur de télécommande arrière (Récepteur SIRCS)

### ❶❷ Prise AC IN

Branchez-y le cordon d'alimentation secteur fourni.

## Arrière/Côté droit/Dessous



**13 Serrure de sécurité**

Branchez-y un câble de sécurité en option (Kensington).

La serrure Kensington est conforme au système de sécurité MicroSaver Kensington.

Si vous avez des commentaires, contactez  
Kensington  
2853 Campus Drive, San Mates, CA 94403  
U.S.A.  
Tél: 800-535-4242: poste 3348  
Adresse page d'accueil:  
<http://www.kensington.com/>

**14 Commutateur de terminaison à 75 ohms (dessous)**

En principe, réglez-le sur ON. Réglez-le sur OFF lorsque le projecteur est raccordé à un ordinateur ou à un moniteur.

**15 Panneau des connecteurs**

Pour plus de détails, voir page 9 (FR).

**16 Couvercle de la lampe (dessous)****17 Bouton du volet réglable****18 Haut-parleur droit****19 Orifices de ventilation (prise)/couvercle du filtre à air****Remarques**

- Ne placez rien à proximité des orifices de ventilation sous peine de provoquer une surchauffe intérieure.
- Ne placez pas les mains ou des objets à proximité des orifices de ventilation — l'air expulsé est brûlant.

**20 Bouton du couvercle du filtre à air**

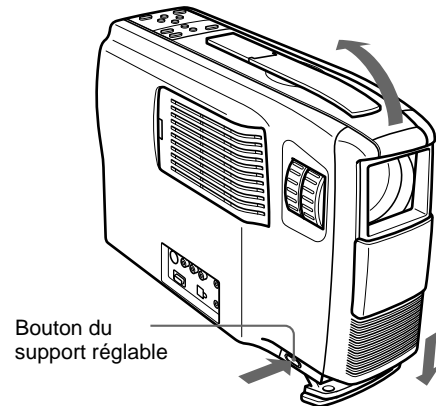
Sert à déposer le couvercle du filtre à air.

Pour plus de détails, voir "Nettoyage du filtre à air" à la page 24 (FR).

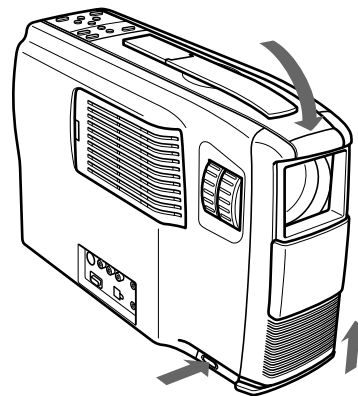
**Utilisation du support réglable****Pour régler la hauteur**

Réglez la hauteur du projecteur comme suit :

- 1** Soulevez le projecteur et appuyez sur le bouton du support réglable.  
Le support réglable se déploie du projecteur.

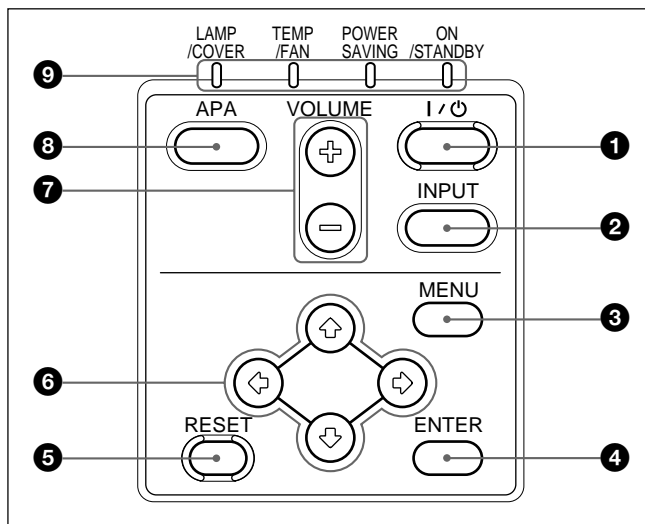


- 2** Tout en maintenant le bouton enfoncé, abaissez le projecteur. Relâchez ensuite le bouton.

**Remarque**

Le support réglable comporte 5 positions de réglage. Après avoir relâché le bouton du support réglable, la hauteur se verrouille sur le niveau suivant.

## Panneau de commande



### 1 Touche I / O (marche / veille)

Met le projecteur sous/hors tension lorsque le projecteur est en mode de veille. L'indicateur ON/STANDBY s'allume en vert lorsque l'appareil est sous tension.

**Lorsque vous mettez l'appareil hors tension, appuyez deux fois sur la touche I / O en fonction du message affiché à l'écran ou appuyez sur la touche et maintenez-la enfoncée pendant une seconde.**

*Pour plus de détails sur la procédure de mise hors tension, voir "Pour mettre le projecteur hors tension" à la page 16 (FR).*

### 2 Touche INPUT

Sélectionne le signal d'entrée. Chaque fois que vous appuyez sur cette touche, le signal d'entrée permute entre le signal audio/vidéo et le signal transmis via le connecteur INPUT A.

### 3 Touche MENU

Affiche l'écran de menu. Appuyez à nouveau sur cette touche pour désactiver le menu.

### 4 Touche ENTER

Confirme la saisie des réglages de paramètres dans le menu système.

### 5 Touche RESET

Restaure la valeur de réglage par défaut d'un paramètre. Cette touche est opérante lorsque le menu ou un paramètre de réglage est affiché à l'écran.

### 6 Touches fléchées (↑/↓/←/→)

Servent à sélectionner le menu ou à procéder à différents réglages.

### 7 Touches VOLUME +/-

Règlent le volume des haut-parleurs intégrés et le niveau de sortie de la prise AUDIO OUT.

+ : Augmente le volume.

- : Diminue le volume.

### 8 Touche APA (alignement automatique des pixels)

Règle une image à projeter le plus nettement possible de manière automatique lorsqu'un signal d'ordinateur est reçu.

### 9 Indicateurs

**LAMP/COVER:** S'allume ou clignote dans les conditions suivantes :

- S'allume lorsque la lampe a atteint la fin de sa durée de vie utile ou une température élevée.
- Clignote lorsque le couvercle de la lampe ou le couvercle du filtre à air n'est pas correctement fixé.

**TEMP (température)/FAN:** S'allume ou clignote dans les conditions suivantes :

- S'allume lorsque la température intérieure du projecteur devient anormalement élevée.
- Clignote lorsque le ventilateur est défectueux.

**POWER SAVING:** S'allume lorsque le projecteur est en mode d'économie d'énergie. Lorsque MODE ECO dans le menu REGLAGE est réglé sur ON, le projecteur passe en mode d'économie d'énergie si aucun signal n'est entré pendant 10 minutes. Bien que la lampe s'éteigne, le ventilateur de refroidissement continue de tourner. En mode d'économie d'énergie, aucune des touches ne fonctionne pendant les 30 premières secondes. Le mode d'économie d'énergie est désactivé dès qu'un signal est entré ou qu'une touche est actionnée.

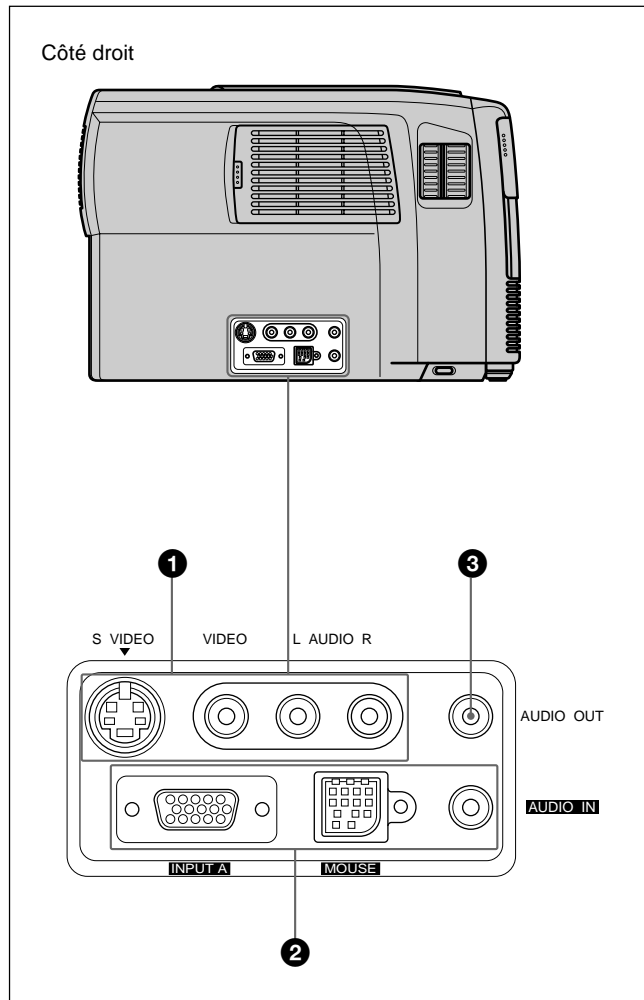
**ON/STANDBY:** S'allume ou clignote dans les conditions suivantes :

- S'allume en rouge lorsque le cordon d'alimentation secteur est branché sur la prise murale. Lorsque le projecteur se trouve en mode de veille, vous pouvez le mettre sous tension à l'aide de la touche I / O de la télécommande ou du panneau de commande.
- S'allume en vert lorsque le projecteur est sous tension.
- Clignote en vert tant que le ventilateur de refroidissement tourne après la mise hors tension du projecteur à l'aide de la touche I / O. Le ventilateur tourne pendant environ 90 secondes après la mise hors tension. L'indicateur ON/STANDBY clignote rapidement pendant les 30 premières secondes. Pendant ce temps, vous ne pouvez pas remettre le projecteur sous tension à l'aide de la touche I / O.

*Pour plus de détails sur les indicateurs LAMP/COVER et TEMP/FAN, voir page 26 (FR).*



## Panneau des connecteurs



### ❶ Connecteurs d'entrée audio/vidéo

Raccordez-les à un appareil vidéo externe comme un magnétoscope.

#### **S VIDEO (miniconnecteur DIN à 4 broches):**

Raccordez-le à la sortie S vidéo (sortie vidéo Y/C) d'un appareil vidéo.

**VIDEO (type phono):** Raccordez-le à la sortie vidéo composite d'un appareil vidéo.

#### **Remarque**

Si vous raccordez des appareils vidéo simultanément aux prises S VIDEO et VIDEO, c'est le signal transmis via la prise S VIDEO qui est sélectionné. Lorsque vous projetez l'image transmise via la prise VIDEO, veillez à ne pas raccorder un câble à la prise S VIDEO.

**Prises d'entrée AUDIO L (MONO)/R (type phono):** Raccordez-les à la sortie audio de l'appareil connecté. Dans le cas d'un appareil stéréo, utilisez à la fois la prise L et la prise R; dans le cas d'un appareil monaural, utilisez uniquement la prise L (MONO).

### ❷ Connecteur INPUT A

Raccordez-le à un appareil externe comme un ordinateur. Vous pouvez commander le signal de la souris à l'aide de la télécommande.

#### **INPUT A (HD D-sub à 15 broches, femelle):**

Raccordez-le à la sortie moniteur d'un ordinateur à l'aide du câble fourni. Pour entrer un signal à composantes ou RGB 15k utilisez le câble en option.

**MOUSE (13 broches):** Raccordez-le au port pour souris d'un ordinateur pour commander la fonction souris à l'aide du câble de souris fourni.

**AUDIO IN (miniprise stéréo):** Raccordez-le à la sortie audio d'un ordinateur pour entrer le signal audio.

### ❸ Prise AUDIO OUT (miniprise stéréo)

Raccordez-la à des enceintes actives externes.

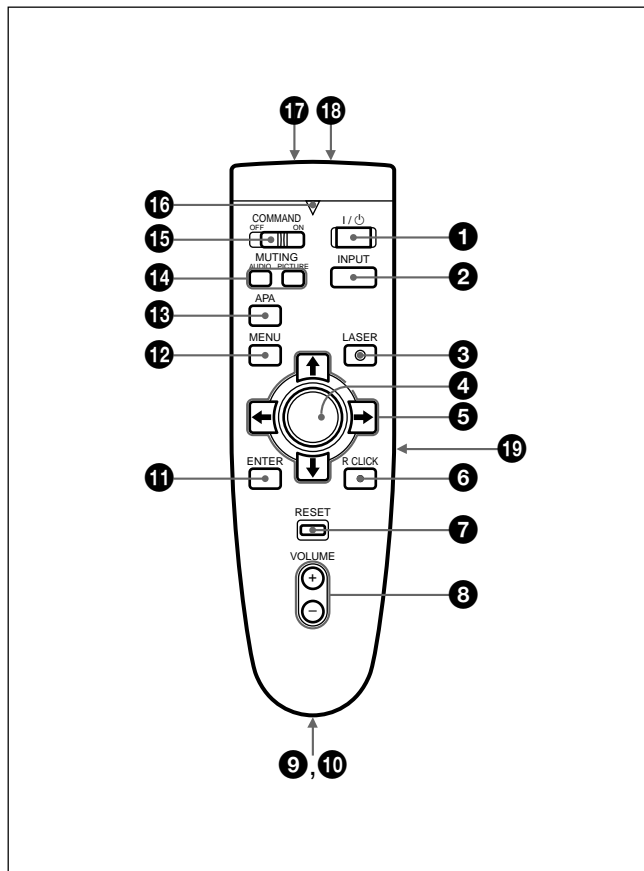
Le volume des enceintes peut être commandé à l'aide des touches VOLUME de la télécommande ou du panneau de commande.

## Télécommande

Les touches portant le même nom que sur le panneau de commande remplissent la même fonction.

Vous pouvez commander un ordinateur connecté au moyen de la télécommande.

Pour plus de détails, voir "Raccordement à un ordinateur" à la page 12 (FR).



### Remarques sur le faisceau laser

- Ne regardez pas vers le transmetteur laser.
- Ne dirigez pas le faisceau laser vers des personnes.

#### 1 Touche I / ⏻

#### 2 Touche INPUT

#### 3 Touche LASER

Une pression sur cette touche commande l'émission du faisceau laser par le transmetteur laser.

#### 4 Manette de commande

Fonctionne comme la souris d'un ordinateur raccordé à l'appareil.

#### 5 Touches fléchées (↑/↓/←/→)

#### 6 Touche R CLICK

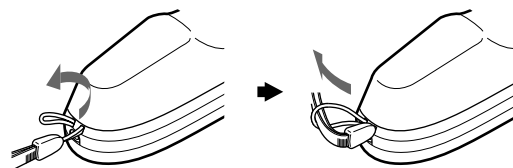
Fonctionne comme le bouton droit d'une souris. Si vous avez raccordé un ordinateur Macintosh<sup>1)</sup>, la touche R CLICK fonctionne comme le bouton d'une souris.

#### 7 Touche RESET

#### 8 Touches VOLUME +/-

#### 9 Boucle de bandoulière

Fixe la bandoulière fournie.



#### 10 Prise CONTROL S OUT (miniprise stéréo)

Cette prise est inopérante avec cet appareil.

#### Remarque

La télécommande est inopérante si le câble est branché sur cette prise.

#### 11 Touche ENTER

#### 12 Touche MENU

#### 13 Touche APA (alignement automatique des pixels)

#### 14 Touches MUTING

Coupe le son et l'image.

**PICTURE:** Coupe l'image. Appuyez à nouveau sur cette touche pour restaurer l'image.

**AUDIO:** Coupe le son des haut-parleurs et de la prise AUDIO OUT. Appuyez à nouveau sur cette touche ou sur la touche VOLUME + pour restaurer le son.

#### 15 Commutateur COMMAND ON/OFF

Lorsque ce commutateur est réglé sur OFF, aucune touche de la télécommande ne fonctionne. Cela permet d'économiser les piles.

1) Macintosh est une marque de fabrique déposée de Apple Computer, Inc.

**16 Indicateur de transmission**

S'allume lorsque vous appuyez sur une touche de la télécommande.

Cet indicateur ne s'allume pas lorsque vous utilisez le pointeur laser.

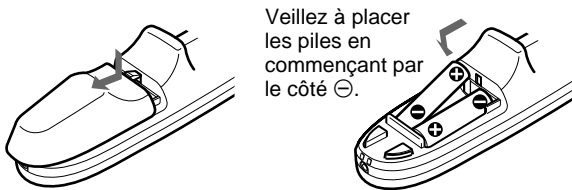
**17 Transmetteur infrarouge****18 Transmetteur laser****19 Touche L CLICK**

Fonctionne comme le bouton gauche d'une souris. Si vous avez raccordé un ordinateur Macintosh, la touche L CLICK fonctionne comme le bouton d'une souris.

---

**Installation des piles**

- 1 Appuyez sur le couvercle et faites-le glisser pour l'ouvrir et installez ensuite les deux piles AA (R6) (fournies) en respectant la polarité.



- 2 Refermez le couvercle.

**Remarques sur les piles**

- Veillez à orienter les piles dans le bon sens lorsque vous les installez dans la télécommande.
- N'utilisez pas en même temps des piles neuves et des piles usagées, ni des piles de types différents.
- Si vous prévoyez de ne pas utiliser la télécommande pendant une période prolongée, retirez-en les piles de façon à éviter tout dommage causé par une fuite des piles. Si une pile a fuit, retirez les piles, nettoyez le compartiment à piles et remplacez les piles.

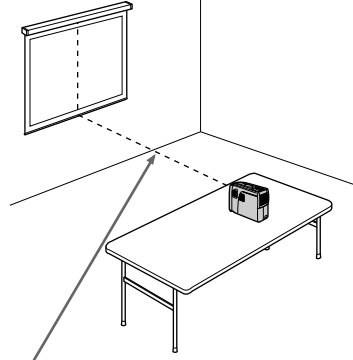
**Remarques sur l'utilisation de la télécommande**

- Veillez à ce qu'aucun obstacle entre la télécommande et le projecteur n'entrave le faisceau infrarouge entre la télécommande et le capteur de télécommande du projecteur.
- La portée de commande est limitée. Plus la distance entre la télécommande et le projecteur est courte, plus le champ dans lequel la télécommande peut commander le projecteur est large.

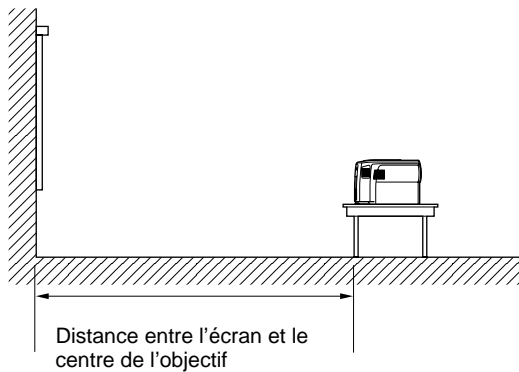
# Installation du projecteur

Cette section décrit les configurations d'installation du projecteur.

Centre horizontal de l'écran



La distance entre l'objectif et l'écran varie suivant la taille de l'écran. Utilisez le tableau suivant comme guide de référence.



Distance entre l'écran et le centre de l'objectif

Unité: m (pieds)

Taille d'écran (pouces)	40	60	80	100	120	150	200
Minimum Distance	1,6 (5,2)	2,4 (8,0)	3,3 (10,8)	4,1 (13,5)	5,0 (16,3)	6,2 (20,4)	8,3 (27,4)
Maximum Distance	2,0 (6,7)	3,1 (10,2)	4,2 (13,7)	5,2 (17,1)	6,3 (20,6)	7,9 (25,8)	10,5 (34,5)

### Remarque

Vous ne pouvez pas installer le projecteur à l'envers, par exemple au plafond.

# Raccordement

## Raccordement à un ordinateur

Cette section vous explique comment raccorder le projecteur à un ordinateur.

Pour plus de détails sur le raccordement à un magnétoscope ou à un équipement RVB 15k ou composant, voir page 14 (FR).

Lorsque le projecteur est raccordé à un ordinateur, vous pouvez commander la souris de l'ordinateur à l'aide de la télécommande.

Les touches R/L CLICK et la manette de commande fonctionnent comme suit.

### Remarque

Veillez à ce qu'aucun obstacle n'entrave le rayon infrarouge entre la télécommande et le capteur de télécommande du projecteur.

Touche et manette de commande	Fonction	
	IBM PC/AT <sup>a)</sup> compatible, série	Macintosh
R CLICK (avant)	Bouton droit	Bouton de souris
L CLICK (arrière)	Bouton gauche	Bouton de souris
Manette de commande	Correspond aux mouvements de la souris	

a) IBM PC/AT est une marque de fabrique déposée de International Business Machines Corporation, U.S.A.

Reportez-vous également au mode d'emploi de l'appareil à raccorder.

### Remarques

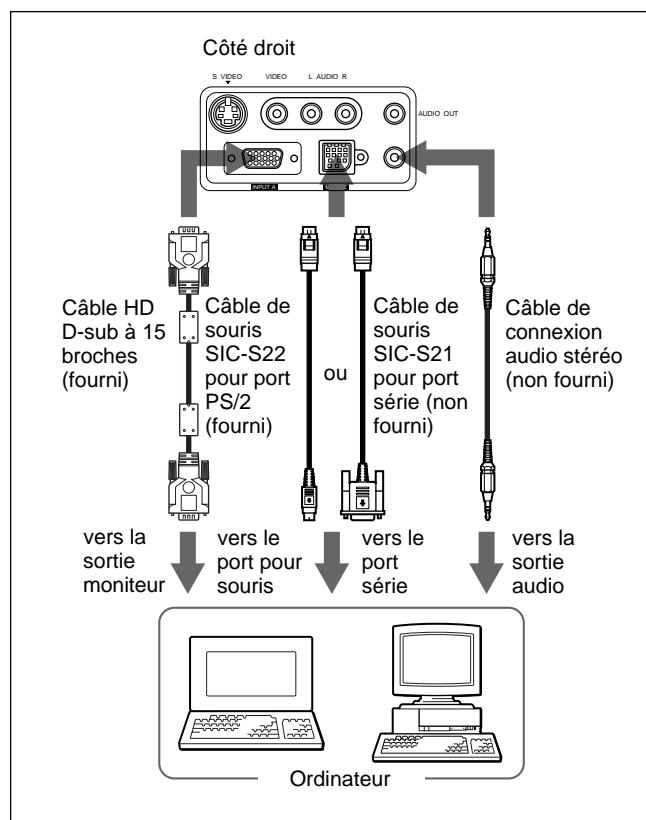
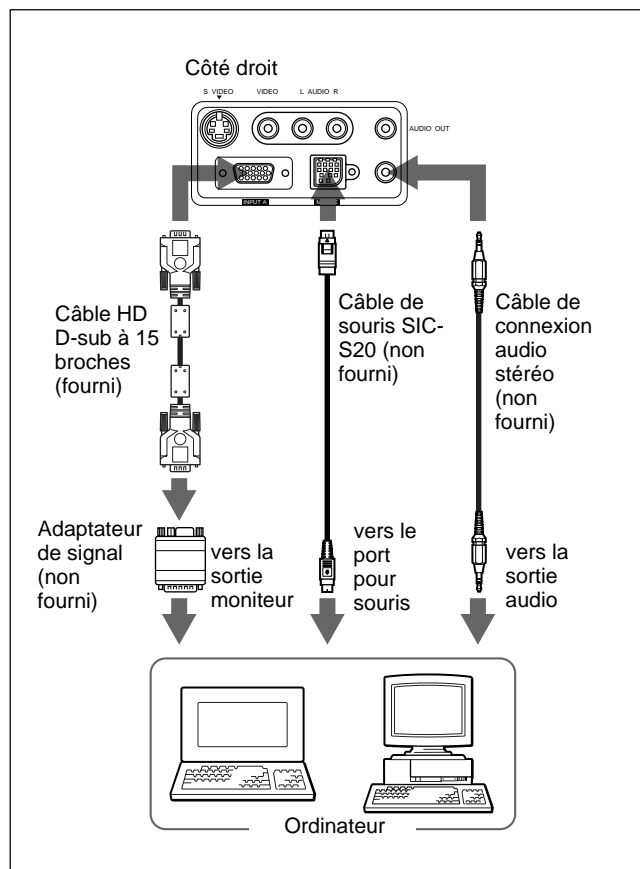
- Cet appareil accepte les signaux VGA, SVGA, XGA et SXGA. Nous vous conseillons cependant de régler le mode de sortie de votre ordinateur sur le mode XGA pour le moniteur externe.
- Si vous réglez votre ordinateur, tel qu'un portable compatible IBM PC/AT, pour sortir le signal à la fois vers l'écran de votre ordinateur et le moniteur externe, il se peut que l'image n'apparaisse pas correctement sur le moniteur externe. En pareil cas, réglez le mode de sortie de votre ordinateur pour sortir le signal vers le moniteur externe uniquement. *Pour plus de détails, reportez-vous au mode d'emploi fourni avec votre ordinateur.*

**Lors de l'établissement des connexions :**

- mettez tous les appareils hors tension avant tout raccordement.
- utilisez les câbles appropriés pour chaque raccordement.
- branchez correctement les fiches des câbles; des fiches incomplètement enfichées génèrent souvent des parasites. Pour débrancher un câble, saisissez-le par la fiche, ne tirez pas sur le câble proprement dit.

**Remarque**

Le câble de souris fourni peut ne pas fonctionner correctement en fonction de votre ordinateur.

**Raccordement à un ordinateur compatible IBM PC/AT****Raccordement à un ordinateur Macintosh**

## Raccordement à un magnétoscope/ appareil à signal RVB 15k/ à composantes

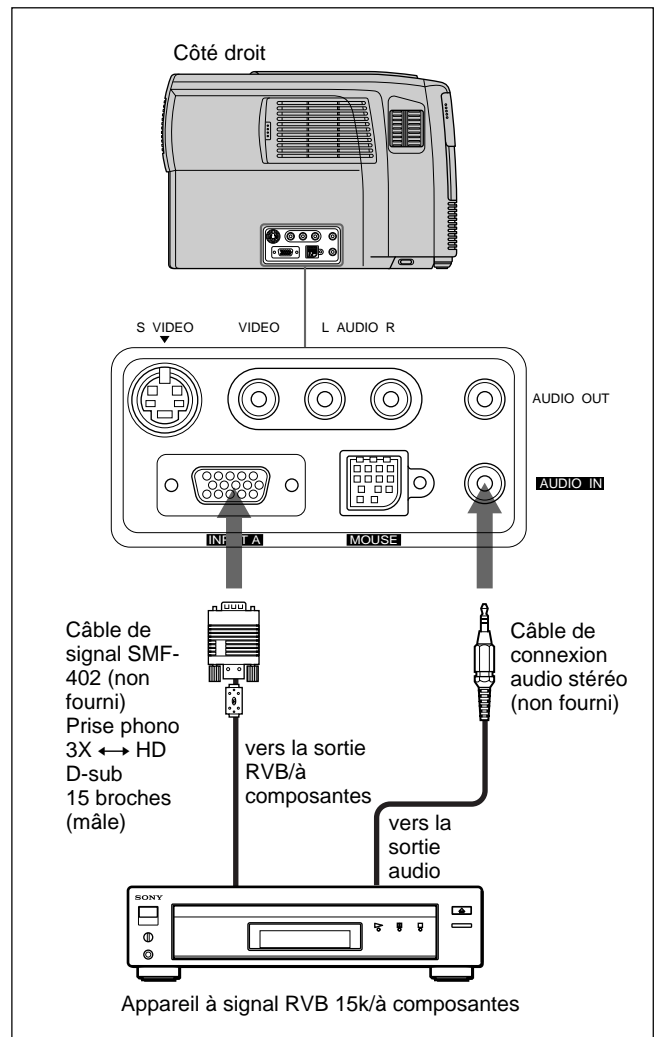
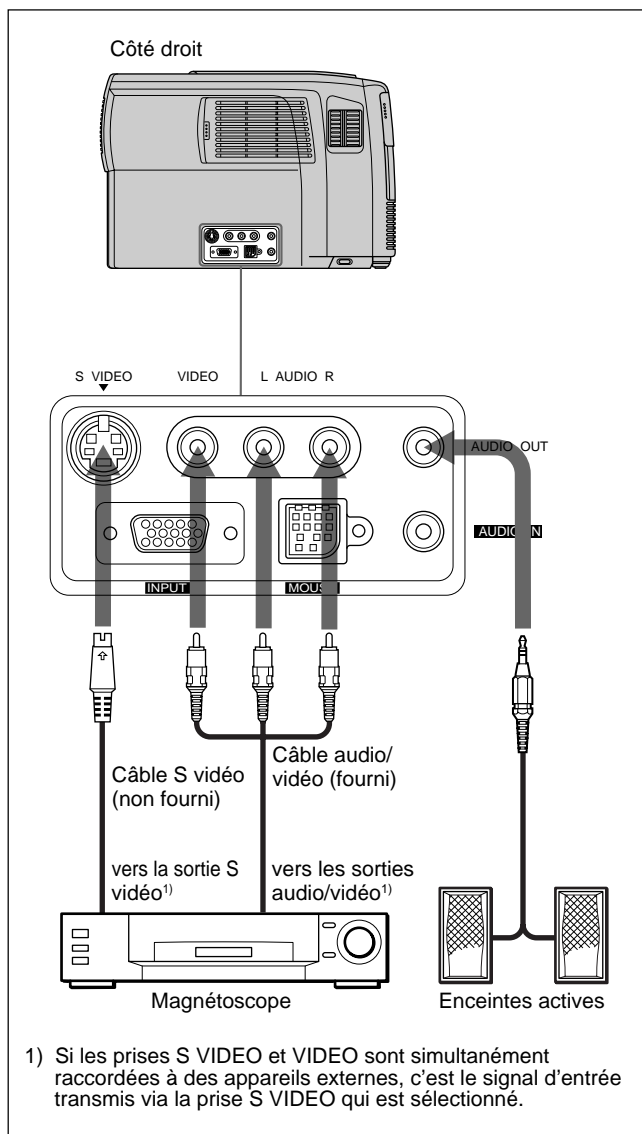
Cette section décrit comment raccorder le projecteur à un magnétoscope, des enceintes actives externes et à un appareil à signal RVB 15k/à composantes.

Pour plus de détails sur le raccordement d'un ordinateur, voir page 12 (FR).

Reportez-vous également au mode d'emploi de l'appareil à raccorder.

### Lors de l'établissement des connexions :

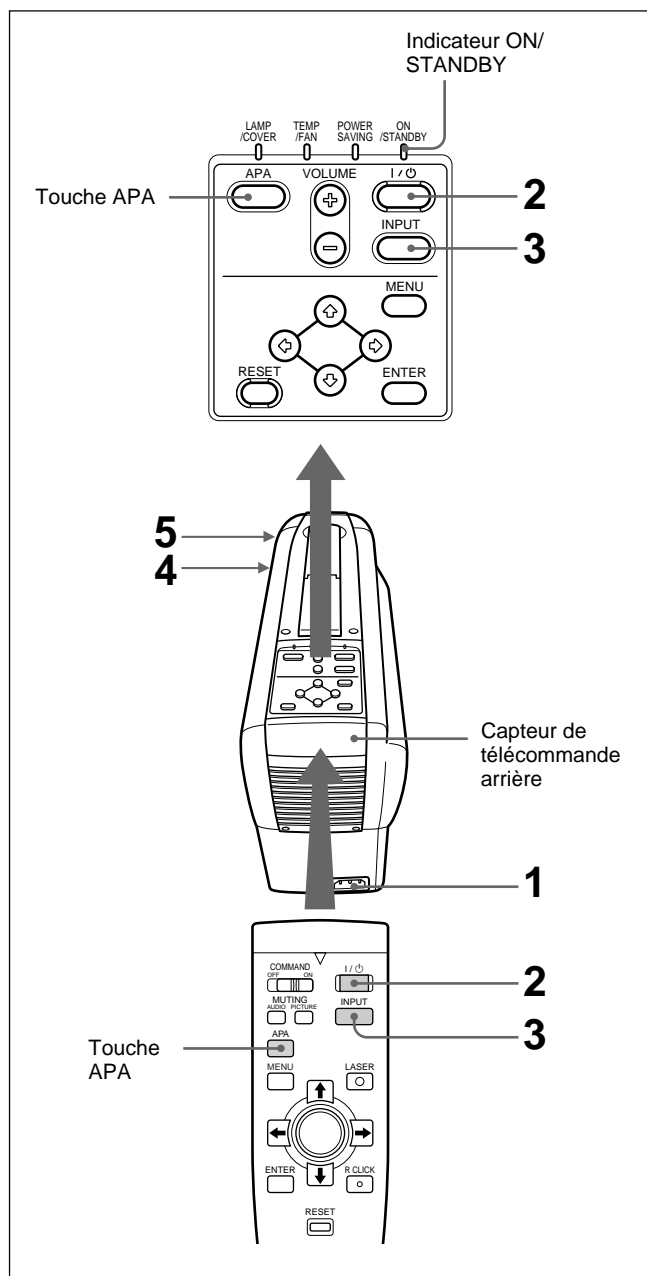
- mettez tous les appareils hors tension avant tout raccordement.
- utilisez les câbles appropriés pour chaque raccordement.
- branchez correctement les fiches des câbles; des fiches incomplètement enfichées génèrent souvent des parasites. Pour débrancher un câble, saisissez-le par la fiche, ne tirez pas sur le câble proprement dit.



### Remarques

- Réglez le format de l'image à l'aide du paramètre **FORMAT** du menu **REGL ENTREE** en fonction du signal d'entrée.
- Sélectionnez le signal RVB ou à composantes au moyen de **ENT. A** dans le menu **REGLAGE** lors du raccordement d'un appareil vidéo à signal RVB 15k/à composantes.
- Utilisez le signal de synchronisation composite lorsque vous entrez le signal de synchronisation externe d'un appareil RVB 15k/à composantes.

# Projection



**1** Lorsque tous les appareils ont été correctement raccordés, branchez le cordon d'alimentation sur une prise murale (secteur).

L'indicateur ON/STANDBY s'allume en rouge et le projecteur passe en mode de veille.

**2** Appuyez sur la touche I /  $\odot$  de la télécommande ou du panneau de commande.

L'indicateur ON/STANDBY s'allume en vert.

**3** Mettez sous tension l'appareil raccordé au projecteur. Appuyez sur la touche INPUT de la télécommande ou du panneau de commande pour sélectionner la source d'entrée.

**ENT. A:** Sélectionne les signaux audio et vidéo entrés via le connecteur INPUT A.

**VIDEO:** Sélectionne les signaux audio et vidéo entrés via le connecteur d'entrée audio/vidéo.

(Si vous raccordez simultanément des appareils aux prises S VIDEO et VIDEO, c'est le signal transmis via la prise S VIDEO qui est sélectionné.)

**4** Tournez la bague de zoom pour ajuster la taille de l'image.

**5** Tournez la bague de mise au point pour régler la netteté de l'image.

### Remarque

Ne regardez pas vers l'objectif en cours de projection car vous risquez sinon de vous blesser aux yeux.

Pour	Appuyez sur
Régler le volume	les touches VOLUME +/- du panneau de commande ou de la télécommande.
Couper le son	la touche AUDIO MUTING de la télécommande. Pour restaurer le son, appuyez à nouveau sur la touche AUDIO MUTING ou appuyez sur la touche VOLUME +.
Couper l'image	la touche PICTURE MUTING de la télécommande. Pour restaurer l'image, appuyez à nouveau sur la touche PICTURE MUTING.

## Pour obtenir l'image optimale

Vous pouvez obtenir une image optimale lorsque le signal d'un ordinateur est transmis.

Appuyez sur la touche APA de la télécommande ou du panneau de commande. L'image est automatiquement ajustée pour une projection optimale.

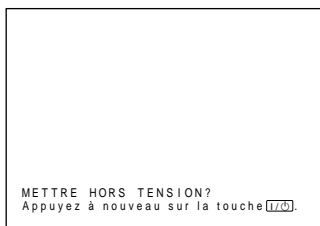
### Remarques

- Ajustez le signal lorsqu'une image fixe est affichée à l'écran.
- Si vous commutez le signal d'entrée ou rebranchez un ordinateur, appuyez de nouveau sur la touche APA pour obtenir l'image adéquate.
- L'indication "REGLAGE" apparaît à l'écran. Appuyez de nouveau sur la touche APA pendant le réglage pour restaurer l'écran d'origine.
- L'indication "Effectué !" (terminé) apparaît à l'écran lorsque l'image est réglée correctement. L'image peut ne pas être réglée correctement en fonction des types de signaux d'entrée.
- Réglez PHASE dans le menu REGL ENTREE lorsque vous réglez l'image manuellement.  
*Pour plus de détails sur la PHASE, reportez-vous à la page 19 (FR).*

## Pour mettre le projecteur hors tension

- 1 Appuyez sur la touche I / ⏻ de la télécommande ou du panneau de commande.

Le message suivant apparaît pour vous demander la confirmation de la mise hors tension.



### Remarque

Le message disparaît si vous appuyez sur une touche quelconque autre que la touche I / ⏻, ou si vous n'appuyez sur aucune touche pendant cinq secondes.

- 2 Appuyez à nouveau sur la touche I / ⏻ de la télécommande ou du panneau de commande.

L'indicateur ON/STANDBY clignote en vert et le ventilateur continue de tourner pendant environ 90 secondes pour réduire la chaleur interne.

L'indicateur ON/STANDBY clignote rapidement durant les 30 premières secondes. Pendant ce temps, il ne vous est pas possible de remettre le projecteur sous tension à l'aide de la touche I / ⏻.

- 3 Débranchez le cordon d'alimentation de la prise murale après que le ventilateur s'est arrêté de tourner et l'indicateur ON/STANDBY s'allume en rouge.

### Si vous ne pouvez pas confirmer le message à l'écran

Si vous ne pouvez pas confirmer le message affiché à l'écran dans des conditions données, vous pouvez mettre le projecteur hors tension en maintenant la touche I / ⏻ de la télécommande ou du panneau de commande enfoncée pendant environ une seconde.

### Remarque

**Ne débranchez pas le cordon d'alimentation pendant que le ventilateur tourne, faute de quoi le ventilateur cessera de tourner même si la température à l'intérieur du projecteur est toujours élevée, ce qui peut entraîner une panne du projecteur.**

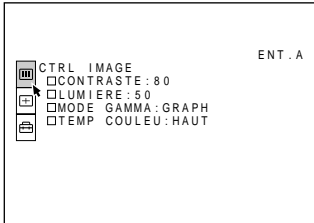


## Utilisation du MENU

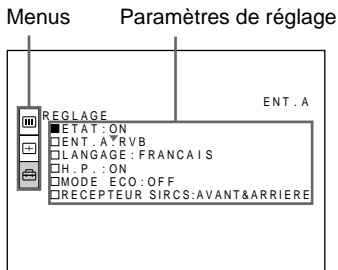
Ce projecteur est équipé d'un menu sur écran permettant d'effectuer divers réglages.

**Pour sélectionner la langue d'affichage du menu, voir page 22 (FR).**

- 1 Appuyez sur la touche MENU.  
L'écran de menu apparaît.  
Le menu actuellement sélectionné est mis en évidence en bleu.



- 2 Utilisez la touche ↑ ou ↓ pour sélectionner un menu et appuyez ensuite sur la touche → ou ENTER.  
Le menu sélectionné apparaît.



- 3 Procédez au réglage ou à l'ajustement d'un paramètre.  
*Pour plus de détails sur le réglage des différents paramètres, reportez-vous aux pages de menu correspondantes.*

### Pour désactiver l'écran de menu

Appuyez sur la touche MENU.  
L'écran de menu disparaît automatiquement si vous n'appuyez sur aucune touche pendant une minute.

### Pour restaurer des paramètres modifiés

Appuyez sur la touche RESET.  
Le message "Effectué!" (terminé) apparaît sur l'écran et les réglages affichés sont restaurés à leur valeur par défaut.

Les paramètres pouvant être réinitialisés sont :

- "CONTRASTE", "LUMIERE", "COULEUR", "TEINTE" et "NETTETE" dans le menu CTRL IMAGE
- "PHASE", "AMPL" et "DEPL" dans le menu REGL ENTREE.

### A propos de la mémoire des réglages

Les réglages sont automatiquement enregistrés dans la mémoire du projecteur.

### En cas d'absence de signal d'entrée

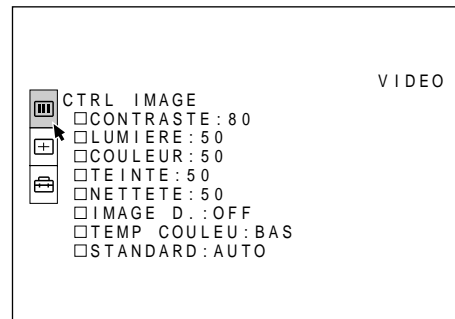
En l'absence de signal d'entrée, "PAS D'ENTREE- Réglage impossible!" apparaît sur l'écran, et aucun des postes ne peut être réglé.

## Le menu CTRL IMAGE

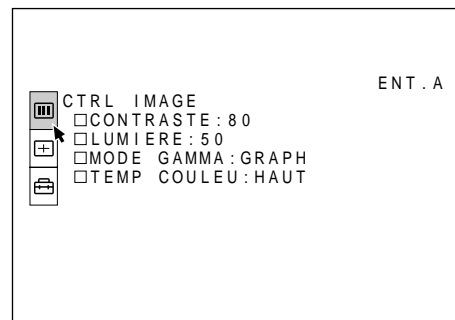
Le menu CTRL (contrôle) IMAGE sert à régler l'image.

Les paramètres non réglables suivant le signal d'entrée ne sont pas affichés dans le menu.

Lorsqu'un signal vidéo est entré.



Lorsqu'un signal RVB est entré.



(Suite page suivante)

## Procédure

### 1. Sélectionnez un paramètre

Utilisez la touche **↑** ou **↓** pour sélectionner le paramètre et appuyez ensuite sur la touche **→** ou **ENTER**.

### 2. Réglez le paramètre

- Pour changer le niveau de réglage:  
Pour augmenter la valeur, appuyez sur la touche **↑** ou **→**.  
Pour diminuer la valeur, appuyez sur la touche **↓** ou **←**.  
Appuyez sur la touche **ENTER** pour revenir à l'écran de départ.
- Pour modifier le réglage:  
Appuyez sur la touche **↑** ou **↓** pour changer la valeur de réglage.  
Appuyez sur la touche **ENTER** ou **←** pour revenir à l'écran de départ.

---

## CONTRASTE

Réglage du contraste de l'image.

Plus la valeur de réglage est élevée, plus le contraste est important.

Plus la valeur de réglage est faible, moins le contraste est important.

---

## LUMIERE

Réglage de la luminosité de l'image.

Plus la valeur de réglage est élevée, plus l'image est lumineuse.

Plus la valeur de réglage est faible, plus l'image est sombre.

---

## COULEUR

Réglage de l'intensité des couleurs.

Plus la valeur de réglage est élevée, plus les couleurs sont intenses.

Plus la valeur de réglage est faible, moins les couleurs sont intenses.

---

## TEINTE

Réglage de la tonalité des couleurs.

Plus la valeur de réglage est élevée, plus les tons d'image deviennent verdâtres.

Plus la valeur de réglage est faible, plus les tons d'image deviennent violâtres.

---

## NETTETE

Réglage de la netteté de l'image.

Plus la valeur de réglage est élevée, plus l'image est nette.

Plus la valeur de réglage est faible, moins l'image est nette.

---

## IMAGE D. (dynamique)

Renforcement du noir.

**ON:** Renforce le noir pour produire une image plus "dynamique".

**OFF:** Restitue fidèlement les zones noires de l'image conformément au signal source.

---

## MODE GAMMA

Sélectionne une courbe de correction gamma.

**GRAPH:** Améliore la reproduction des demi-teintes. Les photos peuvent être reproduites avec des tons naturelles.

**TEXTE:** Souligne le contraste entre le noir et le blanc. Convient aux images comportant beaucoup de texte.

---

## TEMP COULEU

Réglage de la température des couleurs.

**HAUT:** Rend les blancs plus bleuâtres.

**BAS:** Rend les blancs plus rougeâtres.

---

## STANDARD (système couleur)

Sélectionne le système couleur du signal d'entrée.

En principe, réglez-le sur AUTO.

Si l'image présente des distorsions ou est incolore, sélectionnez le système couleur en fonction du signal d'entrée.

## Signaux d'entrée et paramètres de réglage/ajustables

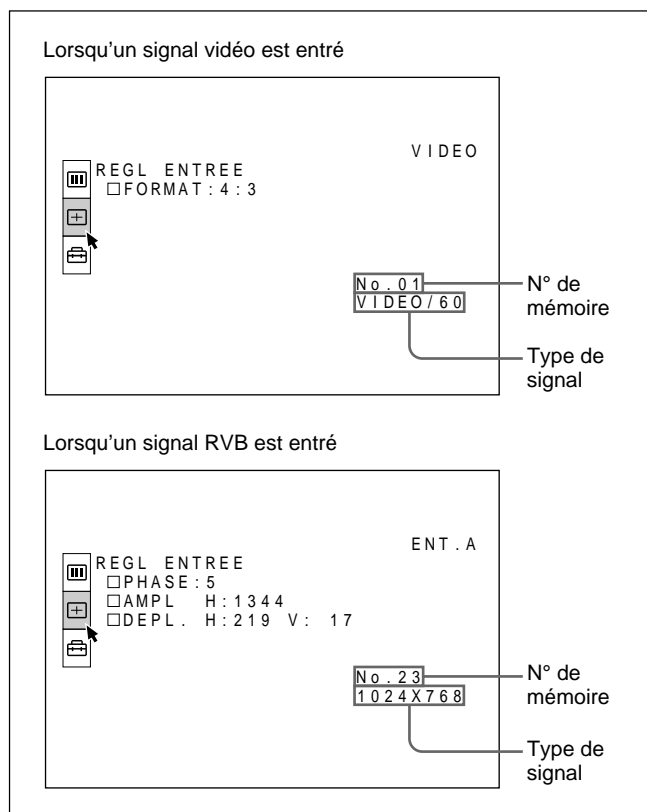
Paramètre	Signal d'entrée			
	Vidéo ou S vidéo (Y/C)	Composant	RVB	N&B
CONTRASTE	●	●	●	●
LUMIERE	●	●	●	●
COULEUR	●	●	-	-
TEINTE	● (NTSC3.58/ 4.43 uniquement)	-	-	-
NETTETE	●	●	-	●
IMAGE D.	●	●	-	●
MODE GAMMA	-	-	●	-
TEMP COULEU	●	●	●	●
STANDARD	●	-	-	●

● : Ajustable/peut être réglé  
 - : Non ajustable/ne peut être réglé

## Le menu REGL ENTREE

Le menu REGL ENTREE sert au réglage du signal d'entrée.

Les paramètres non réglables suivant le signal d'entrée ne sont pas affichés dans le menu.



## Procédure

### 1. Sélectionnez un paramètre

Utilisez la touche ↑ ou ↓ pour sélectionner le paramètre et appuyez ensuite sur la touche → ou ENTER.

### 2. Réglez le paramètre

- Pour changer le niveau de réglage:  
 Pour augmenter la valeur, appuyez sur la touche ↑ ou →.  
 Pour diminuer la valeur, appuyez sur la touche ↓ ou ←.  
 Appuyez sur la touche ENTER pour revenir à l'écran de départ.
- Pour modifier le réglage:  
 Appuyez sur la touche ↑ ou ↓ pour changer la valeur de réglage.  
 Appuyez sur la touche ENTER ou ← pour revenir à l'écran de départ.

## PHASE

Réglage de la phase des points du panneau LCD et du signal entré via le connecteur INPUT A. Ajuste l'image encore plus finement après son réglage par pression de la touche APA.

Règle l'image pour qu'elle apparaisse plus nette.

## AMPL (dimension horizontale)

Réglage de la taille horizontale de l'image entrée via le connecteur INPUT A.

Plus la valeur de réglage est élevée, plus la taille horizontale de l'image est grande.  
 Plus la valeur de réglage est faible, moins la taille horizontale de l'image est grande. Ajustez le réglage en fonction des points du signal d'entrée. Pour plus de détails sur la valeur adéquate pour les signaux présélectionnés, voir page 21 (FR).

(Suite page suivante)

## DEPL. (déplacement)

Réglage de la position de l'image entrée via le connecteur INPUT A.

H règle la position horizontale de l'image.

V règle la position verticale de l'image.

Plus la valeur de H augmente, plus l'image se déplace vers la droite; plus la valeur diminue, plus l'image se déplace vers la gauche.

Plus la valeur de V augmente, plus l'image se déplace vers le haut; plus la valeur diminue, plus l'image se déplace vers le bas.

Utilisez les touches ← et → pour ajuster la position horizontale et les touches ↑ et ↓ pour la position verticale.

## FORMAT

Définit le format de l'image.

Lors de l'entrée d'un signal 16:9 (comprimé) à partir d'un appareil tel qu'un lecteur DVD, choisissez 16:9.

**4:3:** Lorsqu'une image de rapport d'écran 4:3 est entrée.

**16:9:** Lorsqu'une image de rapport d'écran 16:9 (comprimée) est entrée.

## CONV FREQ (convertisseur de balayage)

Convertit le signal pour afficher l'image en fonction de la taille de l'écran.

**ON:** Affiche l'image en fonction de la taille de l'écran. L'image perd cependant un peu de clarté.

**OFF:** Affiche l'image en faisant correspondre un pixel d'élément d'image entré à un pixel de l'écran LCD. L'image affichée est claire, mais d'une taille inférieure.

### Remarque

Lorsqu'un signal XGA ou SXGA est entré, ce paramètre n'est pas affiché.

## Signaux d'entrée et paramètres de réglage/ajustables

Paramètre	Signal d'entrée			
	Vidéo ou S vidéo (Y/C)	RVB 15k/à composantes	RVB	N&B
PHASE	–	–	●	–
AMPL	–	–	●	–
DEPL.	–	–	●	–
FORMAT	●	●	–	●
CONV FREQ	–	–	●	–

● : Ajustable/peut être réglé

– : Non ajustable/ne peut être réglé

## A propos du n° de mémoire de présélection

Ce projecteur est doté de 37 types de données de présélection pour les signaux d'entrée transmis via ENT.A (la mémoire de présélection). Le numéro de mémoire du signal d'entrée en cours et le type de signal sont affichés lorsque le signal de présélection est entré. Ce projecteur détecte automatiquement le type du signal. Lorsque le signal est enregistré dans la mémoire de présélection, une image adéquate s'affiche à l'écran en fonction du type de signal. Vous pouvez ajuster l'image à l'aide du menu REGL ENTREE.

Ce projecteur est également doté de 20 types de mémoires utilisateur pour ENT.A. Lorsqu'un signal non présélectionné est entré pour la première fois, le numéro de mémoire 00 s'affiche. Si le signal d'entrée est ajusté dans le menu REGL ENTREE, le réglage du signal entré via ENT.A est enregistré sous un numéro de mémoire compris entre 51 et 70. Lorsque plus de 20 mémoires utilisateur ont été enregistrées pour ENT.A, la mémoire la plus récente remplace automatiquement la plus ancienne.

## Signaux de présélection

N° de mémoire	Signal de présélection	fH (kHz)	fV (Hz)	Sync	AMPL	
1	Vidéo 60 Hz	15,734	59,940	H-nég V-nég		
2	Vidéo 50 Hz	15,625	50,000	H-nég V-nég		
3	RVB 15k/à composantes 60 Hz	15,734	59,940	H-nég V-nég		
4	RVB 15k/à composantes 50 Hz	15,625	50,000	H-nég V-nég		
6	640 × 350	VGA mode 1	31,469	70,086	H-pos V-nég	800
7		VGA VESA <sup>a)</sup> 85 Hz	37,861	85,080	H-pos V-nég	832
8	640 × 400	PC-9801 <sup>b)</sup> Normal	24,823	56,416	H-nég V-nég	848
9		VGA mode 2	31,469	70,086	H-nég V-pos	800
10		VGA VESA 85 Hz	37,861	85,080	H-nég V-pos	832
11	640 × 480	VGA mode 3	31,469	59,940	H-nég V-nég	800
12		Macintosh, 13"	35,000	66,667	H-nég V-nég	864
13		VGA VESA 72 Hz	37,861	72,809	H-nég V-nég	832
14		VGA VESA 75 Hz	37,500	75,000	H-nég V-nég	840
15		VGA VESA 85 Hz	43,269	85,008	H-nég V-nég	832
16	800 × 600	SVGA VESA 56 Hz	35,156	56,250	H-pos V-pos	1024
17		SVGA VESA 60 Hz	37,879	60,317	H-pos V-pos	1056
18		SVGA VESA 72 Hz	48,077	72,188	H-pos V-pos	1040
19		SVGA VESA 75 Hz	46,875	75,000	H-pos V-pos	1056
20	SVGA VESA 85 Hz	53,674	85,061	H-pos V-pos	1048	
21	832 × 624	Macintosh, 16"	49,724	74,550	H-nég V-nég	1152
22	1024 × 768	XGA VESA 43 Hz	35,522	43,479	H-pos V-pos	1264
23		XGA VESA 60 Hz	48,363	60,004	H-nég V-nég	1344
24		XGA VESA 70 Hz	56,476	70,069	H-nég V-nég	1328
25		XGA VESA 75 Hz	60,023	75,029	H-pos V-pos	1312
26	XGA VESA 85 Hz	68,677	84,997	H-pos V-pos	1376	
27	1152 × 864	SXGA VESA 70 Hz	63,995	70,016	H-pos V-pos	1472
28		SXGA VESA 75 Hz	67,500	75,000	H-pos V-pos	1600
29		SXGA VESA 85 Hz	77,487	85,057	H-pos V-pos	1568
30	1152 × 900	Sunmicro LO	61,795	65,960	H-nég V-nég	1504
31		Sunmicro HI	71,713	76,047	H-nég V-nég	1472
32	1280 × 960	SXGA VESA 60 Hz	60,000	60,000	H-pos V-pos	1800
33		SXGA VESA 75 Hz	75,000	75,000	H-pos V-pos	1728
34	1280 × 1024	SXGA VESA 43 Hz	46,433	43,436	H-pos V-pos	1696
35		SXI-5	53,316	50,062	H-nég V-nég	1680
36		SXGA VESA 60 Hz	63,974	60,013	H-pos V-pos	1696
37		SXGA VESA 75 Hz	79,976	75,025	H-pos V-pos	1688
38		SXGA VESA 85 Hz	91,146	85,024	H-pos V-pos	1296

- a) VESA est une marque de fabrique déposée de Video Electronics Standard Association.  
b) PC-98 est une marque de fabrique déposée de NEC Corporation.

Comme les données sont rappelées de la mémoire de présélection pour les signaux suivants, vous pouvez utiliser ces données présélectionnées en ajustant AMPL. Effectuez le réglage fin en ajustant DEPL.

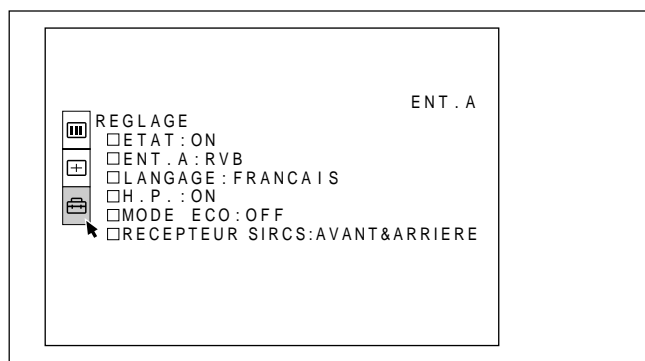
Signal	N° de mémoire	AMPL
Super Mac-2	23	1312
SXI-1	23	1320
Macintosh 19"	25	1328
Macintosh 21"	28	1456
Sony News	36	1600
PC-9821 1280 × 1024	36	1708
WS Sunmicro	37	1664

### Remarque

Lorsque le format de l'image du signal d'entrée est différent de 4:3, une partie de l'écran s'affiche en noir.

## Le menu REGLAGE

Le menu REGLAGE est utilisé pour changer les réglages du projecteur.



### Procédure

#### 1. Sélectionnez un paramètre

Utilisez la touche **↑** ou **↓** pour sélectionner le paramètre et appuyez ensuite sur la touche **→** ou ENTER.

#### 2. Modifiez le réglage

Appuyez sur la touche **↑** ou **↓** pour changer le réglage.  
Pour revenir à l'écran de départ, appuyez sur la touche ENTER ou **←**.

### ETAT (affichage sur écran)

Règle l'affichage sur écran.

**ON:** Affichage de tous les affichages sur écran.

**OFF:** Désactive les affichages à l'exception des menus, du message d'indication de mise hors tension et des messages d'avertissement.

*Pour plus de détails sur les messages d'avertissement, voir page 26 (FR).*

### ENT. A

Sélectionne le signal RVB ou à composantes entré via le connecteur INPUT A.

#### Remarque

Si le réglage n'est pas correct, l'indication "Vérifiez ENT. A dans REGLAGE." apparaît à l'écran et les couleurs de l'image deviennent étranges ou l'image ne s'affiche pas.

### LANGAGE

Sélectionne la langue d'affichage du menu système et des écrans de menu.

Les langues disponibles sont : anglais, français, allemand, italien, espagnol, japonais et chinois.

### H.P.

Régalez-le sur OFF pour couper le son des haut-parleurs internes. Lorsque vous sélectionnez OFF, l'indication "H.P. OFF" apparaît à l'écran lorsque vous mettez l'appareil sous tension.

### MODE ECO

Lorsqu'il est réglé sur ON, le projecteur passe en mode d'économie d'énergie si aucun signal n'est entré pendant 10 minutes.

### RECEPTEUR SIRCS

Sélectionne les capteurs de télécommande (récepteur SIRCS) à l'avant et à l'arrière du projecteur.

**AVANT & ARRIERE:** Active les capteurs avant et arrière.

**AVANT:** Active uniquement le capteur avant.

**ARRIERE:** Active uniquement le capteur arrière.

# Entretien

## Remplacement de la lampe

Lorsqu'il est temps de remplacer la lampe, ne tardez pas à la remplacer par une lampe pour projecteur LMP-P120.

### Pour remplacer la lampe après avoir utilisé le projecteur

Mettez le projecteur hors tension et débranchez le cordon d'alimentation.

Attendez au moins une heure que la lampe refroidisse.

#### Remarque

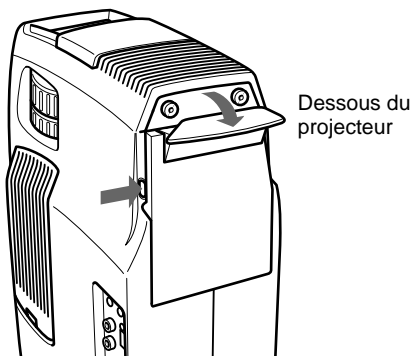
La lampe atteint une température très élevée après la mise hors tension du projecteur à l'aide de la touche I/⏻. Si vous touchez la lampe, vous risquez de vous brûler les doigts. Pour remplacer la lampe, attendez au moins une heure que la lampe soit refroidie.

- 1 Placez une feuille de protection (textile) sous le projecteur. Inclinez le projecteur de 90 degrés vers l'arrière de façon à ce que vous en aperceviez la base.

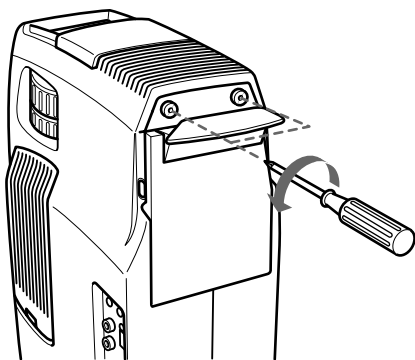
#### Remarque

Veillez à ce que le projecteur ne bascule pas après avoir été retourné.

- 2 Appuyez sur le bouton du support réglable. Le support réglable se déploie du projecteur.



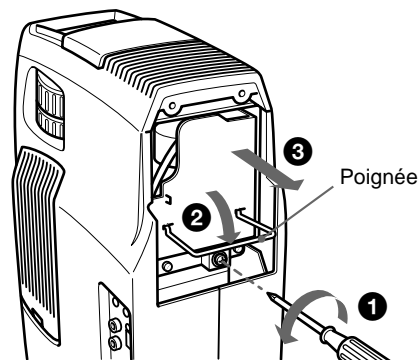
- 3 Ouvrez le couvercle de la lampe qui fait partie du support réglable en desserrant les deux vis à l'aide d'un tournevis Philips (fourni avec la lampe pour projecteur LMP-P120).



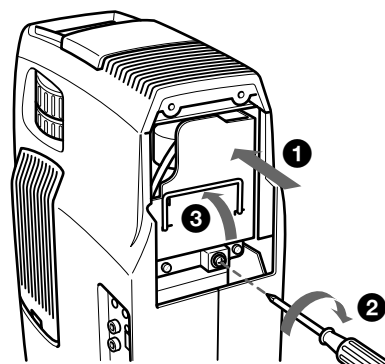
#### Remarque

Par mesure de sécurité, ne desserrez pas d'autres vis.

- 4 Desserrez la vis du module de lampe à l'aide du tournevis Philips. Extrayez le module de lampe par la poignée.



- 5 Introduisez la nouvelle lampe à fond jusqu'à ce qu'elle soit correctement en place. Serrez la vis. Repliez la poignée.



#### Remarques

- Veillez à ne pas toucher la surface en verre de la lampe.
- Le projecteur ne se met pas sous tension si la lampe n'est pas correctement installée.

- 6 Refermez le couvercle de la lampe et serrez les vis.
- 7 Repliez les bras du support réglable et renforcez-les.
- 8 Remettez le projecteur à l'endroit.
- 9 Branchez le cordon d'alimentation et activez le projecteur en mode de veille.
- 10 Appuyez sur chacune des touches suivantes du panneau de commande dans l'ordre indiqué pendant moins de cinq secondes: RESET, ←, →, ENTER.

(Suite page suivante)

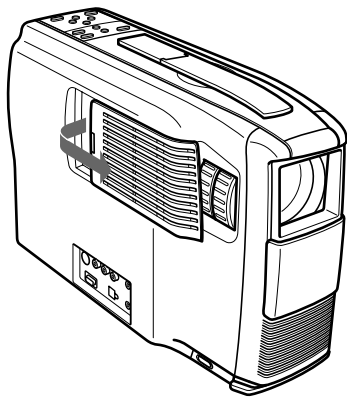
### Remarques

- Pour le remplacement, utilisez uniquement une lampe pour projecteur LMP-P120. Si vous utilisez une autre lampe, le projecteur risque de présenter une défaillance.
- Mettez le projecteur hors tension et débranchez le cordon d'alimentation avant de procéder au remplacement de la lampe.
- N'introduisez pas les doigts à l'intérieur du logement de la lampe et veillez à ce qu'aucun liquide ou objet n'y pénètre de manière à prévenir tout risque d'électrocution et d'incendie.

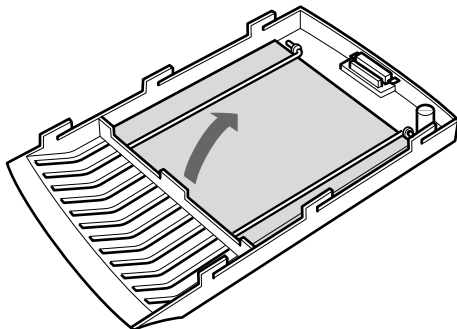
## Nettoyage du filtre à air

Le filtre à air doit être nettoyé toutes les 300 heures. Quand il devient difficile d'éliminer la poussière du filtre, remplacez le filtre. Pour nettoyer le filtre à air, appliquez la procédure suivante:

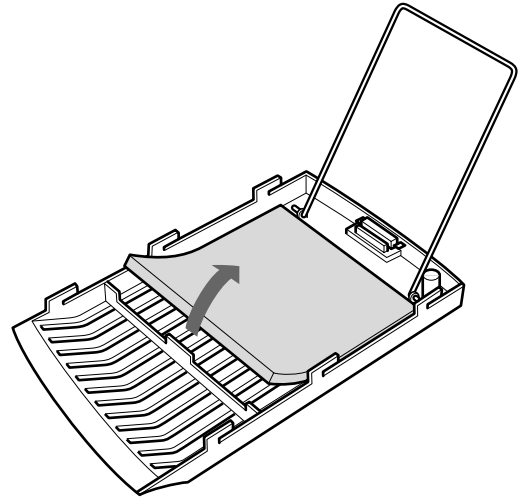
- 1** Mettez le projecteur hors tension et débranchez le cordon d'alimentation.
- 2** Tout en maintenant le bouton du couvercle du filtre à air enfoncé, faites glisser le couvercle vers l'objectif pour le déposer.



- 3** Dégagez le ressort.



- 4** Enlevez le filtre à air.



- 5** Eliminez la poussière du filtre à l'aide d'un aspirateur.
- 6** Réinstallez le filtre à air et replacez le couvercle.



# Guide de dépannage

Si le projecteur ne fonctionne pas correctement, essayez d'en déterminer la cause et remédiez au problème en vous référant aux instructions ci-dessous. Si le problème persiste, consultez le personnel qualifié Sony.

Symptôme	Cause	Remède
Le projecteur ne se met pas sous tension.	Le projecteur a été mis hors et sous tension à bref intervalle à l'aide de la touche I / ⏻.	Attendez environ 90 secondes avant de mettre le projecteur sous tension (voir page 15 (FR)).
	Le couvercle de la lampe est mal fixé.	Refermez correctement le couvercle de la lampe (voir page 23 (FR)).
	Le couvercle du filtre à air est mal fixé.	Refermez correctement le couvercle du filtre à air (voir page 24 (FR)).
Pas d'image ni de son.	Un câble est débranché.	Vérifiez si le raccordement a été effectué correctement (voir pages 12 (FR) à 14 (FR)).
	Raccordement incorrect.	Vérifiez si le raccordement a été effectué correctement (voir pages 12 (FR) à 14 (FR)).
	La sélection d'entrée est incorrecte.	Sélectionnez correctement la source d'entrée à l'aide de la touche INPUT (voir page 15 (FR)).
Pas d'image ou pas de son.	L'image ou le son a été coupé.	Appuyez sur les touches MUTING pour désactiver la fonction de suppression (voir page 15 (FR)).
Pas d'image.	Le signal de l'ordinateur n'est pas transmis vers le moniteur externe.	Transmettez le signal de l'ordinateur vers le moniteur externe (voir page 12 (FR)).
	Le signal de l'ordinateur est à la fois transmis vers l'écran LCD de l'ordinateur et le moniteur externe.	Transmettez le signal de l'ordinateur uniquement vers le moniteur externe (voir page 12 (FR)).
L'image comporte des parasites.	Des parasites peuvent apparaître en arrière-plan suivant la combinaison du nombre de points entrés via le connecteur et du nombre de pixels du panneau LCD.	Changez la configuration sur l'ordinateur connecté.
Si le son entre via le connecteur INPUT A, le son passe par un seul canal.	Le son monaural est entré via le connecteur INPUT A.	Entrez un son stéréo.
L'entrée image au connecteur INPUT A est trop lumineuse.	Le commutateur de terminaison 75 ohms sur le dessous du VPL-PX1 est réglé sur OFF.	Réglez le commutateur de terminaison 75 ohms sur ON.
L'image via le connecteur INPUT A présente des couleurs anormales.	Le réglage pour ENT. A dans le menu REGLAGE est incorrect.	Sélectionnez RVB ou COMPOSANT pour ENT. A dans le menu REGLAGE en fonction du signal d'entrée (Voir page 22 (FR)).
"Vérifiez ENT. A dans REGLAGE" apparaît même si le signal d'entrée correct est transmis via INPUT A.	Le réglage pour ENT. A dans le menu REGLAGE est incorrect.	Sélectionnez RVB ou COMPOSANT pour ENT. A dans le menu REGLAGE en fonction du signal d'entrée (voir page 22 (FR)).
Pas d'affichage sur écran.	Le paramètre ETAT du menu REGLAGE est réglé sur OFF.	Réglez ETAT dans le menu REGLAGE sur ON (voir page 22 (FR)).
La balance des couleurs est incorrecte.	L'image n'est pas correctement réglée.	Réglez l'image (voir pages 17 (FR) et 18 (FR)).
	Le projecteur est réglé sur un mauvais système couleur.	Réglez STANDARD dans le menu CTRL IMAGE suivant le système couleur entré (voir page 18 (FR)).
L'image est trop foncée.	Le contraste ou la luminosité n'est pas réglé correctement.	Réglez correctement le contraste ou la luminosité dans le menu CTRL IMAGE (voir page 18 (FR)).
L'image n'est pas nette.	L'image n'est pas mise au point.	Réglez la mise au point (voir page 15 (FR)).
	De la condensation s'est formée sur l'objectif.	Laissez le projecteur environ deux heures sous tension (voir page 27 (FR)).

(Suite page suivante)

Symptôme	Cause	Remède
L'indicateur LAMP/COVER clignote.	Le couvercle de la lampe ou le couvercle du filtre à air est mal fixé.	Fixez correctement le couvercle (voir page 23 (FR) et 24 (FR)).
L'indicateur LAMP/COVER s'allume.	La lampe a atteint la fin de sa durée de vie utile.	Remplacez la lampe (voir page 23 (FR)).
	La lampe a atteint une température élevée.	Attendez 90 secondes que la lampe refroidisse et remettez le projecteur sous tension (voir page 15 (FR)).
L'indicateur TEMP/FAN clignote.	Le ventilateur est défectueux.	Consultez un agent qualifié Sony.
L'indicateur TEMP/FAN s'allume.	La température intérieure est anormalement élevée.	Vérifiez si les orifices de ventilation ne sont pas obstrués.
La télécommande est inopérante.	Les piles de la télécommande sont épuisées.	Remplacez les piles (voir page 11 (FR)).
	Le commutateur COMMANDER ON/OFF est réglé sur la position OFF.	Régalez le commutateur sur la position ON (voir page 10 (FR)).
	Le câble est branché sur la prise CONTROL S OUT.	Débranchez le câble (voir page 10 (FR)).
	Le capteur de télécommande avant/arrière est à proximité d'une lampe fluorescente.	Changez le réglage de RECEPTEUR SIRCS dans le menu REGLAGE (voir page 22 (FR)).
Le pointeur laser n'émet pas de faisceau laser.	Les piles sont épuisées.	Remplacez les piles (voir page 11 (FR)).
	La télécommande est employée comme une télécommande à fil sans piles.	Installez des piles (voir page 11 (FR)).
La manette de commande, la touche R CLICK ou L CLICK ne fonctionne pas.	Le port pour souris de l'ordinateur ne reconnaît pas le câble de la souris.	Redémarrez l'ordinateur.

## Messages d'avertissement

Consultez la liste ci-dessous pour connaître la signification des messages affichés à l'écran.

Message	Signification	Remède
Surchauffe! Mise hors tension dans 1 min.	La température interne est excessive.	Mettez le projecteur hors tension. Vérifiez si les orifices de ventilation ne sont pas obstrués.
Fréquence est hors limites!	Ce signal d'entrée ne peut être projeté car la fréquence est en-dehors de la plage compatible avec ce projecteur.	Entrez un signal dans la plage de fréquences compatible avec ce projecteur.
	Le réglage de la définition du signal de sortie de l'ordinateur est trop élevé.	Régalez la sortie sur XGA (voir page 12 (FR)).
Vérifiez ENT. A dans REGLAGE.	Vous avez entré un signal RVB de l'ordinateur alors que ENT. A dans le menu REGLAGE est réglé sur COMPOSANT.	Régalez ENT. A correctement (voir page 22 (FR)).

## Messages de précaution

Consultez la liste ci-dessous pour connaître la signification des messages affichés à l'écran.

Message	Signification	Remède
PAS D'ENTREE	Absence de signal d'entrée	Vérifiez les connexions (voir pages 12 (FR) à 14 (FR)).
Non applicable!	Vous avez appuyé sur la mauvaise touche.	Appuyez sur la touche appropriée.

## Conseils en vue de l'installation

### Installation déconseillée

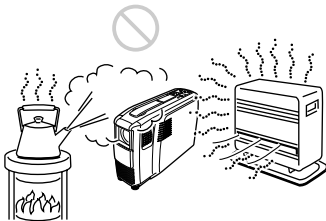
N'installez pas le projecteur dans les situations suivantes. Ces installations peuvent entraîner un dysfonctionnement ou causer des dommages au projecteur.

#### Mauvaise ventilation



- Assurez une circulation d'air adéquate afin d'éviter toute surchauffe interne. Ne placez pas l'appareil sur des surfaces textiles (tapis, couvertures, etc.) ni à proximité de tissus (rideaux, draperies) qui risquent d'obstruer les orifices de ventilation. Si la température intérieure augmente à la suite d'une obstruction des orifices de ventilation, le capteur de température s'active et le message "Surchauffe! Mise hors tension dans 1 min." s'affiche. Le projecteur se met alors automatiquement hors tension après une minute.
- Laissez un espace libre de plus de 30 cm (11 7/8 pouces) autour du projecteur.
- Veillez à ce que les orifices de ventilation n'aspirent pas de particules telles que des morceaux de papier.

#### Exposition à la chaleur et à l'humidité



- N'installez pas l'appareil dans un endroit où la température et l'humidité sont très élevées ou dans un endroit très froid.
- Pour éviter la condensation d'humidité, n'installez pas l'appareil dans un endroit où la température peut augmenter rapidement.

#### Endroit très poussiéreux

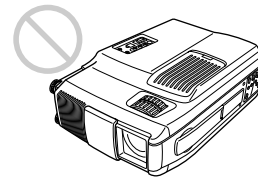


N'installez pas l'appareil dans un endroit très poussiéreux, faute de quoi le filtre à air va s'obstruer. La poussière obstruant le passage de l'air dans le filtre peut entraîner une augmentation de la température intérieure du projecteur. Nettoyez-le régulièrement.

#### Remarques concernant l'installation

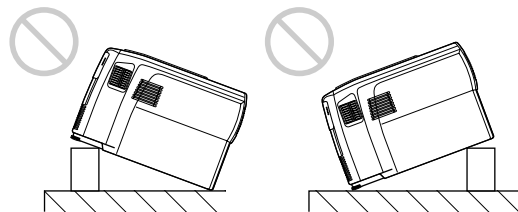
Conformez-vous aux instructions suivantes.

#### N'installez pas le projecteur sur son flanc



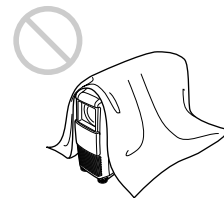
Ne faites pas fonctionner l'appareil lorsqu'il se trouve sur son flanc, car cette position peut entraîner un dysfonctionnement.

#### Placez-le de niveau



N'installez pas l'appareil à d'autres endroits qu'au sol. Ne réglez pas la hauteur du projecteur autrement qu'en agissant sur le dispositif de réglage. Ne faites pas fonctionner pas le projecteur s'il est incliné vers le haut ou vers le bas. De telles installations peuvent être à l'origine de dysfonctionnements.

#### Dégagez les orifices de ventilation



Ne recouvrez pas les orifices de ventilation du projecteur, faute de quoi, une surchauffe interne risque de se produire.

# Spécifications

## Caractéristiques optiques

Système de projection	Système de projection à 3 panneaux LCD, 1 objectif
Panneau LCD	Panneau LCD TFT 0,9 pouces avec ensemble de micro-lentilles, 2.359.296 pixels (786.432 pixels × 3)
Objectif	Zoom 1,3x, f 37,3 à 48,5 mm/ F 1,7 à 2,0
Lampe	UHP de 120 W
Dimensions de l'image projetée	Plage: 40 à 200 pouces (en diagonale)
Flux lumineux	ANSI lumen <sup>1)</sup> 1000 lm
Distance de projection	40 pouces: 1590 à 2040 mm (62 <sup>5</sup> / <sub>8</sub> à 80 <sup>3</sup> / <sub>8</sub> pouces) 60 pouces: 2440 à 3100 mm (96 <sup>1</sup> / <sub>8</sub> à 122 <sup>1</sup> / <sub>8</sub> pouces) 80 pouces: 3280 à 4160 mm (129 <sup>1</sup> / <sub>4</sub> à 163 <sup>7</sup> / <sub>8</sub> pouces) 100 pouces: 4120 à 5220 mm (162 <sup>1</sup> / <sub>4</sub> à 205 <sup>5</sup> / <sub>8</sub> pouces) 120 pouces: 4970 à 6280 mm (195 <sup>3</sup> / <sub>4</sub> à 247 <sup>1</sup> / <sub>4</sub> pouces) 150 pouces: 6230 à 7870 mm (245 <sup>3</sup> / <sub>8</sub> à 309 <sup>7</sup> / <sub>8</sub> pouces) 200 pouces: 8340 à 10520 mm (328 <sup>3</sup> / <sub>8</sub> à 414 <sup>1</sup> / <sub>4</sub> pouces)

## Caractéristiques électriques

Système couleur	NTSC <sub>3.58</sub> /PAL/SECAM/NTSC <sub>4.43</sub> /PAL-M, commutation automatique/manuelle
Résolution	750 lignes TV horizontales (entrée vidéo) 1024 × 768 points (entrée RVB)
Signaux informatiques compatibles	fH: 15 à 91 kHz fV: 50 à 85 Hz
Haut-parleur	Haut-parleurs stéréo, 36 mm (1 <sup>7</sup> / <sub>16</sub> pouces) de diamètre, max. 1,0 W × 2

## Entrées/sorties

### Entrée audio/vidéo

VIDEO: type phono  
Composite vidéo: 1 Vc-c ±2 dB sync négative (terminaison à 75 ohms)  
S VIDEO: miniconnecteur DIN Y/C à 4 broches (mâle)  
Y (luminance): 1 Vc-c ±2 dB synchro négative (terminaison à 75 ohms)  
C (chrominanc): salve 0,286 Vc-c ±2 dB (NTSC) (terminaison à 75 ohms), salve 0,3 Vc-c ±2 dB (PAL) (terminaison à 75 ohms)  
AUDIO: type phono × 2  
500 mVrms, impédance plus de 47 kilohms

### INPUT A

INPUT A: HD D-sub à 15 broches (femelle)  
RVB analogique/à composantes:  
R/R-Y: 0,7 Vc-c ±2 dB (terminaison à 75 ohms)  
G: 0,7 Vc-c ±2 dB (terminaison à 75 ohms)  
G avec synchro/Y:  
1 Vc-c ±2 dB sync négative (terminaison à 75 ohms)  
B/B-Y: 0,7 Vc-c ±2 dB (terminaison à 75 ohms)  
SYNC/HD:  
Entrée synchro composite:  
1-5 Vc-c haute impédance, positive/négative  
Entrée synchro horizontale:  
1-5 Vc-c haute impédance, positive/négative  
VD:  
Entrée synchro verticale:  
1-5 Vc-c haute impédance, positive/négative  
MOUSE (sortie): 13 broches (femelle)  
(Pour plus de détails, voir "Affectation des broches" à la page 29 (FR).)  
AUDIO: miniprise stéréo  
500 mVrms, impédance plus de 47 kilohms

1) La luminosité ANSI est une méthode de mesure conforme à l'American National Standard IT 7.228.

AUDIO OUT (sortie variable): miniprise stéréo  
 Max. 500 mVrms, impédance inf.  
 à 5 kilohms

Réglementation de sécurité:  
 UL1950, cUL (CSA C22.2  
 No.950), FCC Classe A, IC  
 Classe A, DHHS, EN60950,  
 EN60825-1, CE, C-Tick

### Faisceau laser

Type de laser Classe 2  
 Longueur d'onde 645 nm  
 Puissance de sortie 1 mW

### Caractéristiques générales

Dimensions 108 × 223 × 337 mm (4 3/8 × 8 7/8 ×  
 13 3/8 pouces) (l/h/p)

Masse Approx. 4 kg (8 lb 13 oz)

Puissance de raccordement  
 100 à 240 V CA, 2 A/0,9 A,  
 50/60 Hz

Consommation électrique  
 Max. 200 W (mode de veille: 2 W)

Dispersion de la chaleur  
 648,37 BTU

Température d'utilisation  
 0°C à 40°C (32°F à 104°F)

Humidité d'utilisation  
 35% à 85% (sans condensation)

Température de stockage  
 -20°C à 60°C (-4°F à 140°F)

Humidité de stockage  
 10% à 90%

Accessoires fournis

Télécommande RM-PJM600 (1)  
 Piles AA (R6) (2)  
 Câble HD D-sub à 15 broches (1)  
 Câble de souris  
 SIC-S22 (pour PS/2) (2 m) (1)  
 Câble audio/vidéo (1,5 m) (1)  
 Bandoulière pour la télécommande (1)  
 Cordon d'alimentation (1)  
 Filtre à air (de réserve) (1)  
 Mode d'emploi (1)  
 Carte de référence rapide (1)  
 Carte de garantie (1)

La conception et les spécifications sont sujettes à modifications sans préavis.

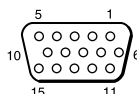
### Accessoires en option

Lampe pour projecteur LMP-P120<sup>1)</sup> (de réserve)  
 Valise de transport VLC-SC50<sup>1)</sup>  
 Sélecteur de signal IFU-SC50  
 Câble de signal vidéo SMF-401 (HD D-sub à 15  
 broches (mâle) ↔ HD D-sub à 15 broches (mâle))  
 Câble de signal  
 SMF-402 (HD D-sub à 15 broches (mâle) ↔ 3 ×  
 type phono (mâle))  
 Câble de souris  
 SIC-S20 (pour Macintosh) (2 m)  
 SIC-S21 (pour le port série) (2 m)  
 SIC-S22 (pour PS/2) (2 m)  
 Adaptateur de signal  
 ADP-10 (HD D-sub à 15 broches ↔ D-sub à 9  
 broches (pour câble SIC))  
 ADP-20 (Macintosh ↔ HD D-sub à 15 broches)  
 Câble SIC  
 SIC-20A/20C/21/22  
 Ecrans  
 VPS-80C portable de 80 pouces  
 VPS-100FH à écran plat de 100 pouces  
 VPS-120FH à écran plat de 120 pouces

*Il est possible que certains de ces accessoires ne soient pas disponibles dans certaines zones géographiques. Pour plus de détails, veuillez consulter votre revendeur Sony.*

### Affectation des broches

**Connecteur INPUT A (HD D-sub à 15 broches, femelle)**



1	R/R-Y	9	N.C.
2	G/Y	10	GND
3	B/B-Y	11	GND
4	GND	12	N.C.
5	GND	13	HD/C.Sync
6	GND (R)	14	VD
7	GND (G)	15	N.C.
8	GND (B)		

1) Il est possible que la lampe LMP-P120 et la valise de transport VLC-SC50 ne soient pas disponibles dans certaines zones géographiques. Pour plus de détails, veuillez consulter votre revendeur Sony.

## Connecteur MOUSE (13 broches, femelle)

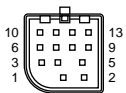


1	RTS	8	R
2	GND	9	98/AT/TXD
3	XA	10	+5V/DTR
4	XB	11	CLOCK
5	YA	12	DATA
6	YB	13	RXD
7	L/PS		

## Affectation des broches du câble de souris

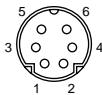
### SIC-S22

13 broches



1	RTS	8	R
2	GND	9	98/AT/TXD
3	XA	10	+5V/DTR
4	XB	11	CLOCK
5	YA	12	DATA
6	YB	13	RXD
7	L/PS		

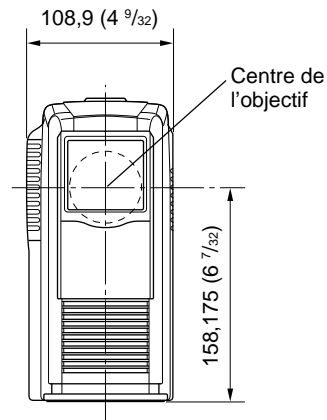
Miniconnecteur DIN à 6 broches



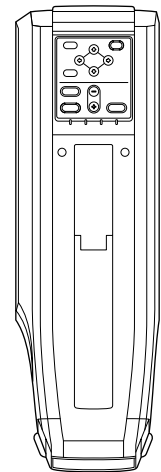
1	DATA
2	NC
3	GND
4	+5V
5	CLOCK
6	NC

## Dimensions

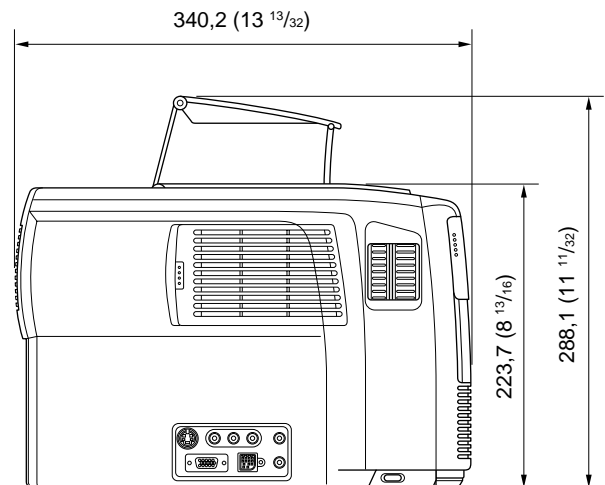
### Avant



### Dessus



### Côté



Unité: mm (pouces)

---

# Index

---

## A, B

Accessoires en option 29 (FR)  
 Accessoires fournis 29 (FR)  
 Affectation des broches 29 (FR), 30 (FR)  
 Alimentation  
   mise hors tension 16 (FR)  
   mise sous tension 15 (FR)  
 AMPL (dimension horizontale) 19 (FR)

## C

Câble de souris  
   assignation des broches 30 (FR)  
   raccordement 13 (FR)  
 Capteur de télécommande  
   arrière 6 (FR)  
   avant 6 (FR)  
   réglage 22 (FR)  
 Connecteur MOUSE 9 (FR)  
   assignation des broches 30 (FR)  
 Connecteur INPUT A 9 (FR)  
   assignation des broches 29 (FR)  
 CONTRASTE 18 (FR)  
 CONV FREQ (convertisseur de balayage)  
   20 (FR)  
 COULEUR 18 (FR)

## D

Dépannage 25 (FR)  
 DEPL. (déplacement) 20 (FR)  
 Dimensions 30 (FR)

## E

Emplacement et fonction des commandes  
   côté arrière/droit/dessous 6 (FR)  
   côté avant/gauche 6 (FR)  
   panneau de commande 8 (FR)  
   panneau des connecteurs 9 (FR)  
   télécommande 10 (FR)  
 ENT. A 22 (FR)  
 ETAT (affichage sur écran) 22 (FR)  
 Exemples d'installation 12 (FR)  
   endroits déconseillés 27 (FR)  
   remarques 27 (FR)

## F, G, H

Filtre à air 24 (FR)  
 FORMAT 20 (FR)  
 H.P. 22 (FR)

## I, J, K

IMAGE D. (dynamique) 18 (FR)

---

## L

LANGAGE 22 (FR)  
 LUMIERE 18 (FR)

## M

Menu  
   désactivation des écrans de menu  
     17 (FR)  
   menu CTRL IMAGE 17 (FR)  
   menu REGL ENTREE 19 (FR)  
   menu REGLAGE 22 (FR)  
   utilisation du menu 17 (FR)  
 Menu CTRL IMAGE 17 (FR)  
 Menu REGL ENTREE 19 (FR)  
 Menu REGLAGE 22 (FR)  
 Messages  
   d'avertissement 26 (FR)  
   de précaution 26 (FR)  
 MODE ECO 8 (FR), 22 (FR)  
 MODE GAMMA 18 (FR)

## N

NETTETE 18 (FR)

## O

Orifices de ventilation  
   prise 7 (FR)  
   sortie 6 (FR)

## P, Q

PHASE 19 (FR)  
 Piles  
   installation 11 (FR)  
   remarques 11 (FR)  
 Poignée de transport 6 (FR)  
 Pointeur laser 10 (FR)  
 Précautions 4 (FR)

## R

Raccordement  
   composant 14 (FR)  
   magnétoscope 14 (FR)  
   ordinateur 12 (FR)  
 RECEPTEUR SIRCS 6 (FR), 22 (FR)  
 Réglage  
   de la taille/déplacement de l'image  
     19 (FR), 20 (FR)  
   de l'image 17 (FR), 18 (FR)  
   mémoire des réglages 17 (FR)  
 Réinitialisation  
   paramètres réinitialisables 17 (FR)  
   réinitialisation d'un paramètre 17 (FR)  
 Remplacement de la lampe 23 (FR)

## S

Spécifications 28 (FR)  
 STANDARD (système couleur) 18 (FR)  
 Support réglable 7 (FR)  
 Suppression  
   de l'image 15 (FR)  
   du son 15 (FR)

## T, U, V, W, X, Y, Z

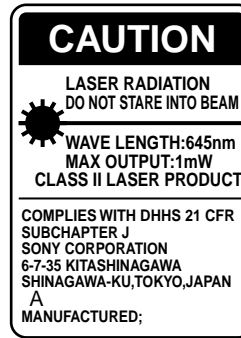
Taille de l'écran 12 (FR), 21 (FR),  
 28 (FR)  
 TEINTE 18 (FR)  
 Télécommande  
   emplacement et fonction des  
     commandes 10 (FR)  
   installation des piles 11 (FR)  
   pointeur laser 10 (FR)  
 TEMP COULEU 18 (FR)

# ADVERTENCIA

Para evitar riesgos de incendio o electrocución, no exponga la unidad a la lluvia ni a la humedad.

Para evitar recibir descargas eléctricas, no abra el aparato. Contrate exclusivamente los servicios de personal cualificado.

La toma mural debe estar instalada cerca del equipo y debe accederse a ésta con facilidad.

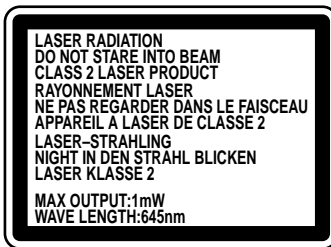
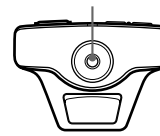


Esta etiqueta se encuentra en la parte posterior del mando a distancia.



Esta etiqueta se encuentra en la parte posterior del mando a distancia.

El haz láser se emite a través de esta ventana.



Esta etiqueta se encuentra en la parte posterior del mando a distancia.

## Notas

- No oriente el láser hacia personas ni mire hacia el transmisor de láser.
- Si el mando a distancia causa fallos de funcionamiento, consulte con personal especializado Sony. Dicho mando se sustituirá por otro nuevo en función de la garantía.



Esta etiqueta se encuentra en el lateral del mando a distancia.

## Advertencia sobre la conexión de alimentación

Utilice un cable de alimentación apropiado para el suministro de alimentación local.

	Estados Unidos, Canadá		Europa continental		Reino Unido, Irlanda, Australia, Nueva Zelanda	Japón
Tipo de enchufe	VM0233	290B	YP-12A	COX-07	— <sup>1)</sup>	VM1296
Extremo hembra	VM0089	386A	YC-13B	COX-02	VM0310B	VM10505
Tipo de cable	SJT	SJT	H05VV-F	H05VV-F	N13237/CO-228	HVCTF
Corriente y tensión nominal	10A/125V	10A/125V	10A/250V	10A/250V	10A/250V	13A/125V
Homologación de seguridad	UL/CSA	UL/CSA	VDE	VDE	VDE	DENTORI

1) Nota: Utilice un enchufe de valor nominal adecuado que cumpla con las regulaciones locales.



# Índice

## Descripción general

<b>Precauciones</b> .....	<b>4 (ES)</b>
<b>Características</b> .....	<b>5 (ES)</b>
<b>Ubicación y función de los controles</b> .....	<b>6 (ES)</b>
Parte frontal/izquierda .....	6 (ES)
Parte posterior/derecha/inferior .....	6 (ES)
Panel de control .....	8 (ES)
Panel de conectores .....	9 (ES)
Mando a distancia .....	10 (ES)

## Instalación y proyección

<b>Instalación del proyector</b> .....	<b>12 (ES)</b>
<b>Conexión</b> .....	<b>12 (ES)</b>
Conexión con un ordenador .....	12 (ES)
Conexión con una videgrabadora/equipo 15k RGB/ componente .....	14 (ES)
<b>Proyección</b> .....	<b>15 (ES)</b>

## Realización de ajustes mediante el menú

<b>Uso del MENU</b> .....	<b>17 (ES)</b>
<b>Menú CTRL IMAGEN</b> .....	<b>17 (ES)</b>
<b>Menú AJUS ENTRAD</b> .....	<b>19 (ES)</b>
<b>Menú AJUSTE</b> .....	<b>22 (ES)</b>

## Mantenimiento

<b>Mantenimiento</b> .....	<b>23 (ES)</b>
Sustitución de la lámpara .....	23 (ES)
Limpieza del filtro de aire .....	24 (ES)
<b>Solución de problemas</b> .....	<b>25 (ES)</b>

## Otros

<b>Consejos sobre la instalación</b> .....	<b>27 (ES)</b>
Instalación inadecuada .....	27 (ES)
Notas sobre la instalación .....	27 (ES)
<b>Especificaciones</b> .....	<b>28 (ES)</b>
<b>Índice alfabético</b> .....	<b>31 (ES)</b>

---

# Precauciones

---

## Seguridad

- Compruebe que la tensión de funcionamiento de la unidad coincide con la tensión del suministro eléctrico local.
- Si se derrama líquido dentro de la unidad o si se introduce un objeto sólido en la misma, desenchúfela y haga que sea revisada por personal especializado antes de volver a utilizarla.
- Desenchufe la unidad de la toma mural si no va a utilizarla durante varios días.
- Para desconectar el cable, tire del enchufe, nunca del propio cable.
- La toma de corriente debe encontrarse cerca de la unidad y ser de fácil acceso.
- La unidad no se desconectará de la fuente de alimentación de CA (toma de corriente) mientras esté conectada a la toma mural, aunque la haya apagado.
- No mire al objetivo mientras la lámpara está encendida.
- No oriente el láser hacia personas ni mire hacia el transmisor láser.
- No sitúe la mano ni objetos cerca de los orificios de ventilación, ya que el aire que sale está caliente.
- Tenga cuidado de no pillarse los dedos con el ajustador cuando levante el proyector. No ejerza excesiva presión sobre la parte superior del proyector con el ajustador fuera.


---

## Iluminación

- Para obtener la mejor calidad posible de imagen, la parte frontal de la pantalla no debe exponerse a la luz solar ni iluminaciones directas.
- Se recomienda instalar una lámpara proyectora en el techo. Cubra las lámparas fluorescentes para evitar la disminución de la relación de contraste.
- Cubra con telas opacas las ventanas que estén orientadas hacia la pantalla.
- Es preferible instalar el proyector en una sala cuyo suelo y paredes no se compongan de materiales que reflejen la luz. Si el suelo y las paredes se componen de dichos tipos de materiales, se recomienda cambiar el color de la moqueta y del papel pintado de la pared por otro oscuro.

---

## Prevención del recalentamiento interno

Después de desactivar la alimentación con la tecla I /  del mando a distancia o del panel de control, no desconecte la unidad de la toma de corriente mientras el ventilador de enfriamiento se encuentra en funcionamiento.

### Precaución

El proyector dispone de orificios de ventilación de aspiración en el lateral derecho y de exhaustación en las partes frontal y posterior. No bloquee estos orificios ni coloque nada junto a ellos, ya que puede producirse recalentamiento interno, causando el deterioro de imagen o daños al proyector.

---

## Limpieza

- Para mantener el exterior como nuevo, límpielo periódicamente con un paño suave. Las manchas persistentes pueden eliminarse con un paño ligeramente humedecido en una solución detergente poco concentrada. No utilice nunca disolventes concentrados, como diluyentes, bencina o limpiadores abrasivos, ya que dañan el acabado.
- Evite tocar el objetivo. Para eliminar el polvo de éste, emplee un paño seco y suave. No utilice un paño húmedo, soluciones detergentes ni diluyentes.
- Limpie el filtro con regularidad.

---

## Embalaje

- Conserve la caja y materiales originales de embalaje, ya que le resultarán útiles cuando vaya a transportar la unidad. Para obtener la máxima protección, embale la unidad como la recibió de fábrica.

# Características

## Alta portabilidad

- **Peso ligero y reducido tamaño**

Se ha reducido el tamaño de este proyector, siendo su peso de aproximadamente 4 kg (8 lb 13 oz). Para ello, se ha incorporado una carcasa de magnesio.

Dispone igualmente de un asa de transporte, lo que permite transportarlo fácilmente con el ordenador.

## Reducción de ruido

El ruido se ha reducido, gracias al nuevo mecanismo de enfriamiento que emplea el proyector.

## Estabilidad

Este proyector emplea un nuevo ajustador de ubicación de ángulos que mejora la estabilidad.

## Alto brillo y alta calidad de imagen

- **Alto brillo**

Gracias al sistema óptico de reciente desarrollo y a la lámpara UHP de 120 W de reciente desarrollo se obtiene un alto brillo (salida de luz de 1000 ANSI lumen) y una excelente uniformidad de la imagen.

- **Alta resolución**

Gracias a la incorporación de tres paneles de 0,9 pulgadas, la XGA de unos 790.000 píxeles con hileras de micro-lentes ofrece una resolución de 1024 × 768 puntos para entrada RGB y 750 líneas horizontales de TV para entrada de vídeo.

## Fácil instalación y presentación

- **Fácil instalación con equipos externos**

Este proyector dispone de 37 tipos de datos predeterminados de señales de entrada. Es posible proyectar imágenes de una fuente de señal externa conectando un equipo con el cable suministrado y pulsando la tecla APA.

- **Mando a distancia con funciones de puntero láser y control de ratón**

Es posible controlar un ordenador con el mando a distancia, ya que la unidad dispone de un receptor de ratón incorporado. Para la presentación, puede utilizar el puntero láser también incorporado en el mando a distancia.

## Admisión de distintas señales de entrada

- **Convertidor de exploración incorporado**

Este proyector dispone de un convertidor de exploración incorporado que convierte la señal de entrada dentro del margen de 1024 × 768 puntos.

- **Señales de entrada compatibles**

Este proyector acepta señales de vídeo compuestas, de vídeo S y de componente, así como señales de 15k RGB, VGA<sup>1)</sup>, SVGA<sup>1)</sup>, XGA<sup>1)</sup>, y SXGA<sup>1)</sup>, las cuales es posible visualizar.

- **Compatible con cinco sistemas de color**

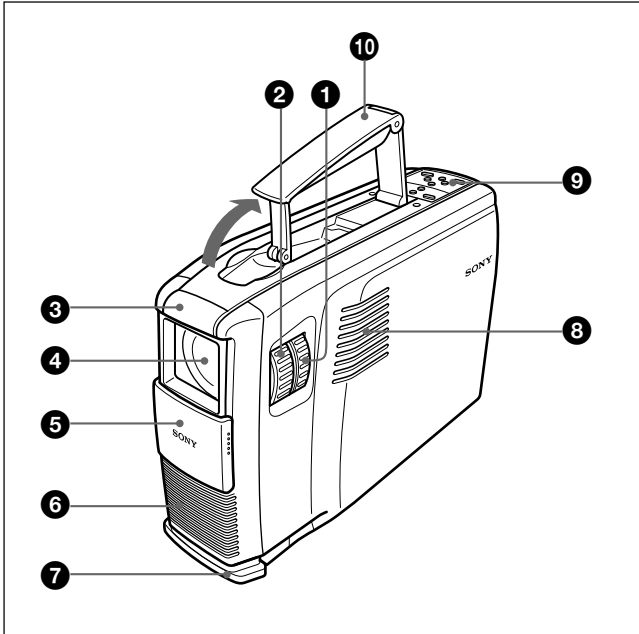
Es posible seleccionar automática o manualmente el sistema de color NTSC, PAL, SECAM, NTSC<sup>4.43</sup><sup>2)</sup> o PAL-M.

1) VGA, SVGA, XGA y SXGA son marcas comerciales registradas de International Business Machines Corporation, EE.UU.

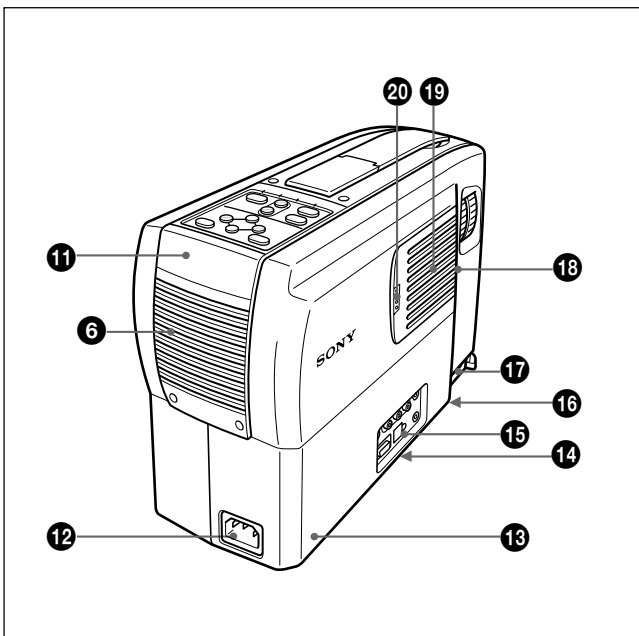
2) NTSC<sup>4.43</sup> es el sistema de color utilizado al reproducir vídeos grabados en NTSC en videgrabadoras del sistema NTSC<sup>4.43</sup>.

# Ubicación y función de los controles

## Parte frontal/izquierda



## Parte posterior/derecha/inferior



### 1 Anillo de zoom

Ajusta el tamaño de la imagen.

### 2 Anillo de enfoque

Ajusta el enfoque de la imagen.

### 3 Detector frontal de mando a distancia (Receptor SIRCS)

### 4 Objetivo

Abra el obturador del objetivo antes de proyectar.

### 5 Obturador del objetivo

### 6 Orificios de ventilación (exhaustación)

### 7 Ajustador

Si alguna imagen se proyecta fuera de la pantalla, ajuste dicha imagen utilizando este ajustador.

*Para obtener información detallada sobre cómo utilizar los ajustadores, consulte "Cómo utilizar el ajustador" en la página 7 (ES).*

### 8 Altavoz izquierdo

### 9 Panel de control

*Para obtener información, consulte "Panel de control" en la página 8 (ES).*

### 10 Asa de transporte

Tire del asa del proyector hacia arriba para transportarlo.

### Nota

Tenga cuidado de no herirse los dedos al plegar el asa.

### 11 Detector posterior de mando a distancia (Receptor SIRCS)

### 12 Clavija AC IN

Conecta el cable de alimentación de CA suministrado.

**13 Bloqueo de seguridad**

Se conecta a un cable opcional de seguridad (Kensington).

El bloqueo de seguridad corresponde al sistema de seguridad "MicroSaver" de Kensington.

Si desea realizar algún comentario, póngase en contacto en la siguiente dirección

Kensington  
2853 Campus Drive, San Mates, CA 94403  
EE.UU.  
Tel: 800-535-4242: extensión 3348  
Dirección en Internet:  
<http://www.kensington.com/>

**14 Interruptor de terminación de 75 ohmios (parte inferior)**

Suele ajustarse en ON. Ajústelo en OFF si el proyector está conectado a un ordenador o un monitor.

**15 Panel de conectores**

Para obtener información, consulte la página 9 (ES).

**16 Cubierta de la lámpara (parte inferior)****17 Botón del ajustador****18 Altavoz derecho****19 Orificios de ventilación (aspiración)/cubierta del filtro de aire****Notas**

- No sitúe nada junto a los orificios de ventilación, ya que puede producirse recalentamiento interno.
- No sitúe la mano ni objetos cerca de los orificios de ventilación, ya que el aire sale caliente.

**20 Botón de la cubierta del filtro de aire**

Se emplea para extraer la cubierta del filtro de aire.

Para obtener información, consulte "Limpieza del filtro de aire" en la página 24 (ES).

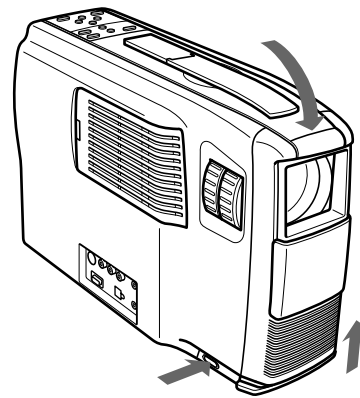
**Cómo utilizar el ajustador****Para ajustar la altura**

Ajuste la altura del proyector de la siguiente forma:

- 1** Levante el proyector y pulse el botón del ajustador.  
El ajustador se extenderá a partir del proyector.

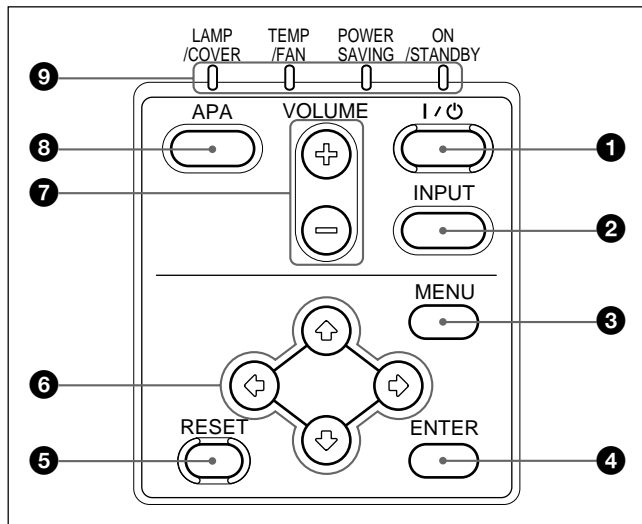


- 2** Mientras pulsa el botón, baje el proyector. A continuación, deje de pulsar el botón.

**Nota**

El ajustador dispone de 5 ajustes. Cuando deje de pulsar el botón del ajustador, la altura se bloqueará en el siguiente nivel.

## Panel de control



### 1 Tecla I / ⏻ (encendido / espera)

Enciende y apaga el proyector cuando éste se encuentra en el modo de espera. El indicador ON/STANDBY se ilumina en color verde al activar la alimentación.

**Para desactivar la alimentación, pulse la tecla I / ⏻ dos veces siguiendo el mensaje en pantalla, o pulse y mantenga pulsada la tecla durante un segundo aproximadamente.**

*Para obtener información detallada sobre los pasos para desactivar la alimentación, consulte "Para desactivar la alimentación" en la página 16 (ES).*

### 2 Tecla INPUT

Selecciona la señal de entrada. Cada vez que pulse la tecla, la señal de entrada cambia entre la entrada de vídeo/audio y el conector INPUT A.

### 3 Tecla MENU

Muestra el menú en pantalla. Vuelva a pulsarla para que el menú desaparezca.

### 4 Tecla ENTER

Introduce los ajustes de los elementos del sistema de menús.

### 5 Tecla RESET

Restaura el valor definido de fábrica de un elemento. Esta tecla funciona cuando el menú o un elemento de ajuste se muestra en pantalla.

### 6 Teclas de flecha (↑/↓/←/→)

Se emplean para seleccionar el menú o para realizar ajustes.

### 7 Teclas VOLUME +/-

Ajustan el volumen de los altavoces incorporados y el nivel de salida de la toma AUDIO OUT.

- + : Aumenta el volumen.
- : Disminuye el volumen.

### 8 Tecla APA (alineación automática de píxeles)

Ajusta imágenes para proyectarlas con la mayor nitidez posible de forma automática mientras se recibe una señal del ordenador.

### 9 Indicadores

**LAMP/COVER:** Se ilumina o parpadea en las siguientes situaciones:

- Se ilumina si la lámpara ha llegado al final de su duración o si su temperatura es alta.
- Parpadea si la cubierta de la lámpara o la del filtro de aire no está firmemente cerrada.

**TEMP (Temperatura)/FAN:** Se ilumina o parpadea en las siguientes situaciones:

- Se ilumina si la temperatura del interior del proyector es anormalmente alta.
- Parpadea si el ventilador está roto.

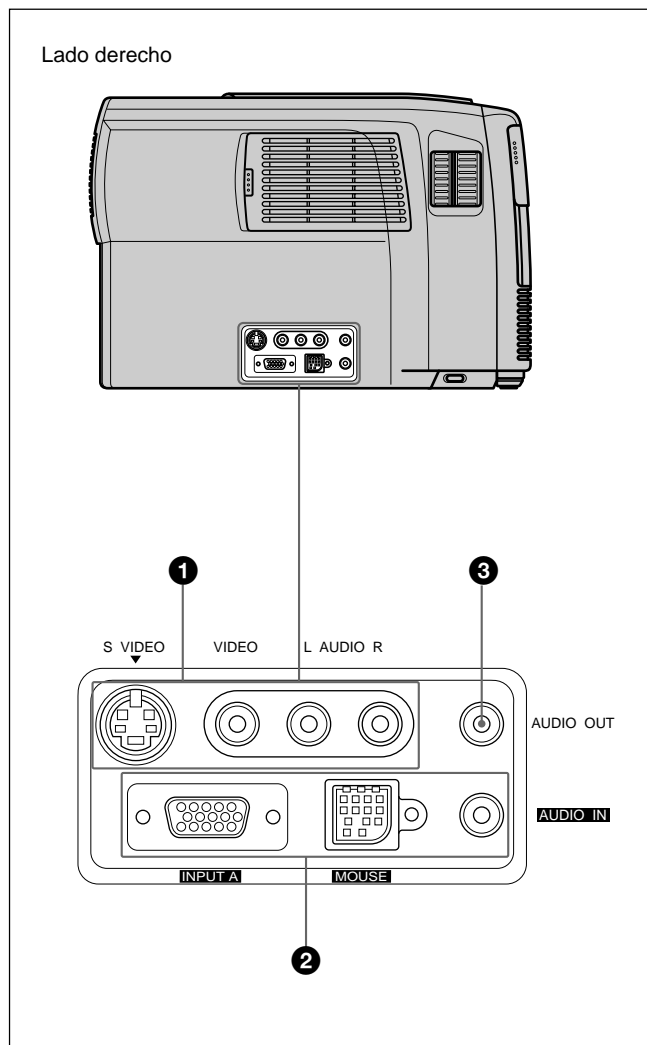
**POWER SAVING:** Se ilumina cuando el proyector se encuentra en el modo de ahorro de energía. Si AHORRO ENERGIA se ajusta en SI en el menú AJUSTE, el proyector entrará en el modo de ahorro de energía si no se introduce ninguna señal durante 10 minutos. Aunque la lámpara se apague, el ventilador de enfriamiento continúa funcionando. En el modo de ahorro de energía, no funciona ninguna tecla durante los primeros 30 segundos. Dicho modo se cancela al recibirse una señal o al pulsar cualquier tecla.

**ON/STANDBY:** Se ilumina o parpadea en las siguientes situaciones:

- Se ilumina en color rojo cuando el cable de alimentación de CA se enchufa en la toma mural. Una vez en el modo de espera, es posible encender el proyector con la tecla I / ⏻ del mando a distancia o del panel de control.
- Se ilumina en color verde al activar la alimentación.
- Parpadea en color verde mientras funciona el ventilador de enfriamiento después de desactivar la alimentación con la tecla I / ⏻. El ventilador funciona durante 90 segundos aproximadamente después de desactivar la alimentación. El indicador ON/STANDBY parpadea rápidamente durante los primeros 30 segundos. Durante este espacio de tiempo, no es posible volver a activar la alimentación con la tecla I / ⏻.

*Para obtener información detallada sobre los indicadores LAMP/COVER y TEMP/FAN, consulte la página 26 (ES).*

## Panel de conectores



### ❶ Conector de entrada de vídeo/audio

Conéctelo a un equipo de vídeo externo, como una videograbadora.

**S VIDEO (mini DIN de 4 pines):** Conéctelo a la salida de vídeo S (salida de vídeo Y/C) de un equipo de vídeo.

**VIDEO (tipo fonográfico):** Conéctelo a la salida de vídeo compuesta de un equipo de vídeo.

#### Nota

Si conecta un equipo de vídeo a las tomas S VIDEO y VIDEO, se seleccionará la señal de la toma S VIDEO. Al proyectar la imagen mediante la toma VIDEO, asegúrese de no conectar ningún cable a la toma S VIDEO.

**Tomas L (MONO)/R de entrada de AUDIO (tipo fonográfico):** Conéctelas a la salida de audio de un equipo. Para equipos estéreo, utilice las tomas L y R; para equipos monofónicos, utilice la toma L (MONO) solamente.

### ❷ Conector INPUT A

Conéctelo a un equipo externo, como un ordenador. Puede controlar la señal de ratón con el mando a distancia.

#### INPUT A (HD D-sub de 15 pines, hembra):

Conéctelo a la salida de monitor de un ordenador mediante el cable suministrado. Al introducir una señal de componente o 15k RGB, utilice el cable opcional.

**MOUSE (13 pines):** Conéctelo al puerto de ratón de un ordenador para controlar la función de ratón; para ello, utilice el cable de ratón suministrado.

**AUDIO IN (minitoma estéreo):** Conéctela a la salida de audio de un ordenador para recibir la señal de audio.

### ❸ Toma AUDIO OUT (minitoma estéreo)

Conéctela a altavoces activos externos.

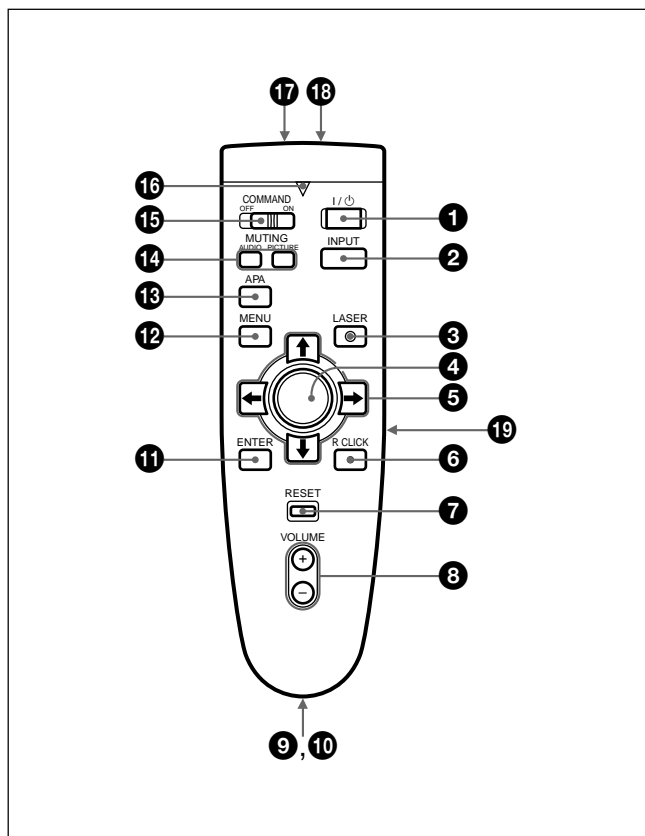
El volumen de los altavoces puede controlarse mediante las teclas VOLUME del mando a distancia o del panel de control.

## Mando a distancia

Las teclas con los mismos nombres a las del panel de control funcionan igual.

Puede controlar con el mando a distancia un ordenador conectado.

Para obtener información, consulte "Conexión con un ordenador" en la página 12 (ES).



### Notas sobre el haz láser

- No mire al transmisor láser.
- No oriente el láser hacia personas.

#### 1 Tecla I /

#### 2 Tecla INPUT

#### 3 Tecla LASER

Emite el haz láser del transmisor al pulsar esta tecla.

#### 4 Mando universal

Funciona como el ratón de un ordenador conectado a la unidad.

#### 5 Teclas de flecha (, , ,

#### 6 Tecla R CLICK

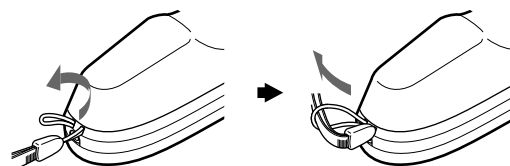
Funciona como el botón derecho de un ratón. Si se conecta a un ordenador Macintosh<sup>1)</sup>, la tecla R CLICK funciona como un botón de ratón.

#### 7 Tecla RESET

#### 8 Teclas VOLUME +/-

#### 9 Compartimento para el asa

Permite fijar el asa suministrada.



#### 10 Toma CONTROL S OUT (minitoma estéreo)

Esta toma no funciona con esta unidad.

#### Nota

El mando a distancia no funcionará si el cable está conectado a esta toma.

#### 11 Tecla ENTER

#### 12 Tecla MENU

#### 13 Tecla APA (Alineación automática de píxeles)

#### 14 Teclas MUTING

Desactivan la imagen y el sonido.

**PICTURE:** Desactiva la imagen. Vuelva a pulsarla para recuperar la imagen.

**AUDIO:** Desactiva el sonido de los altavoces y de la toma AUDIO OUT. Vuelva a pulsarla o pulse la tecla VOLUME + para recuperar el sonido.

#### 15 Interruptor COMMAND ON/OFF

Si ajusta este interruptor en OFF, no funcionará ninguna tecla del mando a distancia. De esta forma, se ahorra la energía de las pilas.

#### 16 Indicador de transmisión

Se ilumina al pulsar alguna tecla del mando a distancia.

Este indicador no se ilumina cuando utilice el puntero láser.

#### 17 Transmisor de rayos infrarrojos

1) Macintosh es una marca comercial registrada de Apple Computer, Inc.



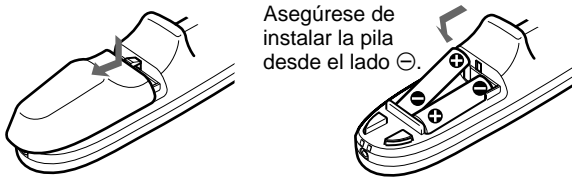
**18 Transmisor láser****19 Tecla L CLICK**

Funciona como el botón izquierdo de un ratón. Si se conecta a un ordenador Macintosh, la tecla L CLICK funcionará como un botón de ratón.

---

**Instalación de las pilas**

- 1 Empuje y deslice la tapa para abrirla y, a continuación, instale dos pilas tamaño AA (R6) (suministradas) con la polaridad correcta.



Asegúrese de instalar la pila desde el lado ⊖.

- 2 Vuelva a colocar la tapa.

**Notas sobre las pilas**

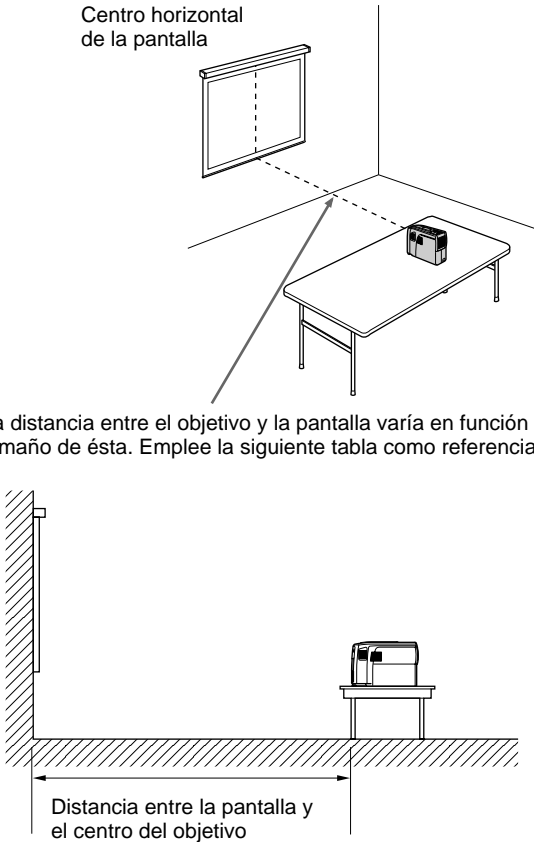
- Asegúrese de que la orientación de las pilas es correcta al insertarlas.
- No mezcle pilas usadas con nuevas, ni diferentes tipos de pilas.
- Si no va a utilizar el mando a distancia durante mucho tiempo, extraiga las pilas para evitar daños por fugas. Si se producen fugas, extraiga las pilas, seque el compartimiento de éstas y sustituya las pilas por otras nuevas.

**Notas sobre el funcionamiento del mando a distancia**

- Compruebe que no haya nada que obstruya el haz de rayos infrarrojos entre el mando a distancia y el detector de control remoto del proyector.
- El margen de operación está limitado. Cuanto menor sea la distancia entre el mando a distancia y el proyector, mayor será el ángulo de control del mando a distancia sobre el proyector.

# Instalación del proyector

En esta sección se describe cómo instalar el proyector.



Centro horizontal de la pantalla

La distancia entre el objetivo y la pantalla varía en función del tamaño de ésta. Emplee la siguiente tabla como referencia.

Distancia entre la pantalla y el centro del objetivo

Unidad: m (pies)

Tamaño de la pantalla (pulgadas)	40	60	80	100	120	150	200
Distancia Mínima	1,6 (5,2)	2,4 (8,0)	3,3 (10,8)	4,1 (13,5)	5,0 (16,3)	6,2 (20,4)	8,3 (27,4)
Distancia Máxima	2,0 (6,7)	3,1 (10,2)	4,2 (13,7)	5,2 (17,1)	6,3 (20,6)	7,9 (25,8)	10,5 (34,5)

**Nota**  
No es posible instalar el proyector al revés, como por ejemplo en el techo.

# Conexión

## Conexión con un ordenador

En esta sección se describe cómo conectar el proyector con un ordenador.

Para obtener información detallada sobre cómo conectar una videograbadora o un equipo 15k RGB o componente, consulte la página 14 (ES).

Si conecta el proyector a un ordenador, podrá controlar el ratón de éste mediante el mando a distancia.

Las teclas R/L CLICK y el mando universal funcionan de la siguiente forma.

**Nota**

Compruebe que no haya nada que obstruya el haz de rayos infrarrojos entre el mando a distancia y el detector del mando a distancia del proyector.

Tecla y mando universal	Función	
	IBM PC/AT <sup>a)</sup> compatible, serie	Macintosh
R CLICK (parte frontal)	Botón derecho	Botón de ratón
L CLICK (parte posterior)	Botón izquierdo	Botón de ratón
Mando universal	Se corresponde con los movimientos del ratón	

a) IBM PC/AT es una marca comercial registrada de International Business Machines Corporation, EE.UU.

Consulte también el manual de instrucciones del equipo que vaya a conectar.

**Notas**

- Esta unidad acepta las señales VGA, SVGA, XGA y SXGA. No obstante, se recomienda ajustar el modo de salida del ordenador en el modo XGA para el monitor externo.
- Si ajusta el ordenador, como uno portátil tipo IBM PC/AT compatible, para que envíe la señal a la pantalla del ordenador y al monitor externo, la imagen del monitor externo puede no aparecer correctamente. En tal caso, ajuste el modo de salida del ordenador para que envíe la señal sólo al monitor externo.

*Para obtener información, consulte el manual de instrucciones suministrado con el ordenador.*

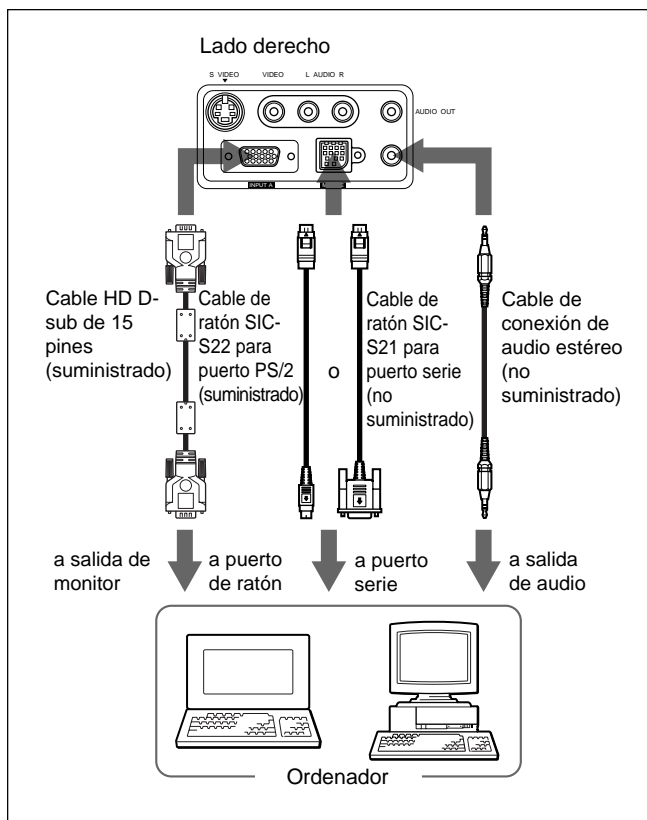
**Al realizar conexiones, asegúrese de:**

- apagar todos los equipos antes de realizar cualquier conexión.
- utilizar los cables adecuados para cada conexión.
- insertar los enchufes de los cables correctamente. Si no inserta los enchufes por completo, puede producirse ruido. Para desconectar un cable, asegúrese de tirar del enchufe, no del propio cable.

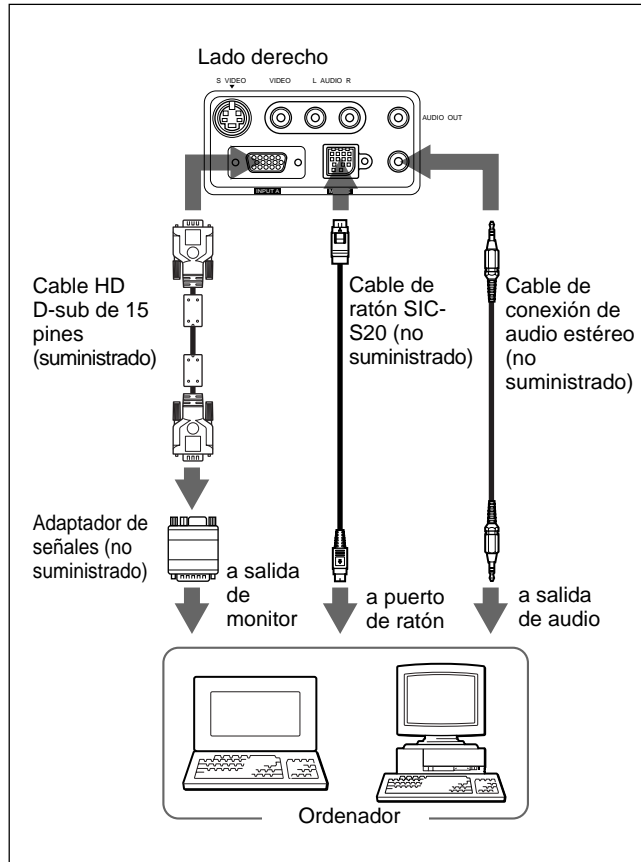
**Nota**

Los cables de ratón suministrados pueden no funcionar correctamente en función del ordenador.

**Si se conecta con un ordenador IBM PC/ AT compatible**



**Si se conecta con un ordenador Macintosh**

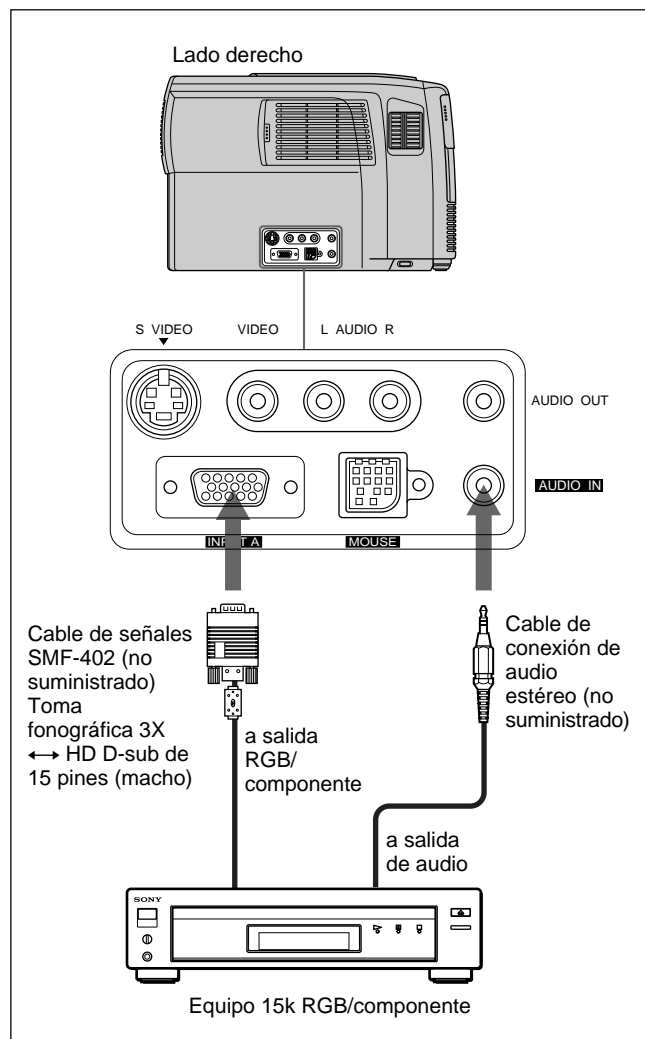
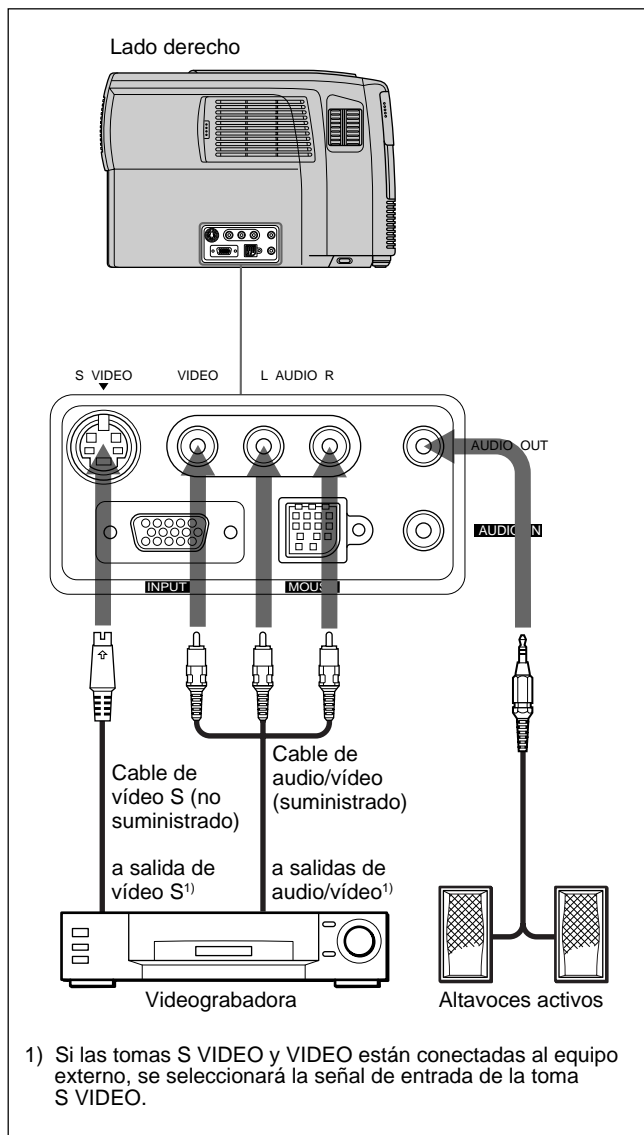


## Conexión con una videograbadora/ equipo 15k RGB/componente

En esta sección se describe cómo conectar el proyector con una videograbadora, altavoces activos externos y equipo de 15k RGB/componente. Para obtener información detallada sobre cómo conectar un ordenador, consulte la página 12 (ES). Consulte también los manuales de instrucciones del equipo que vaya a conectar.

### Al realizar conexiones, asegúrese de:

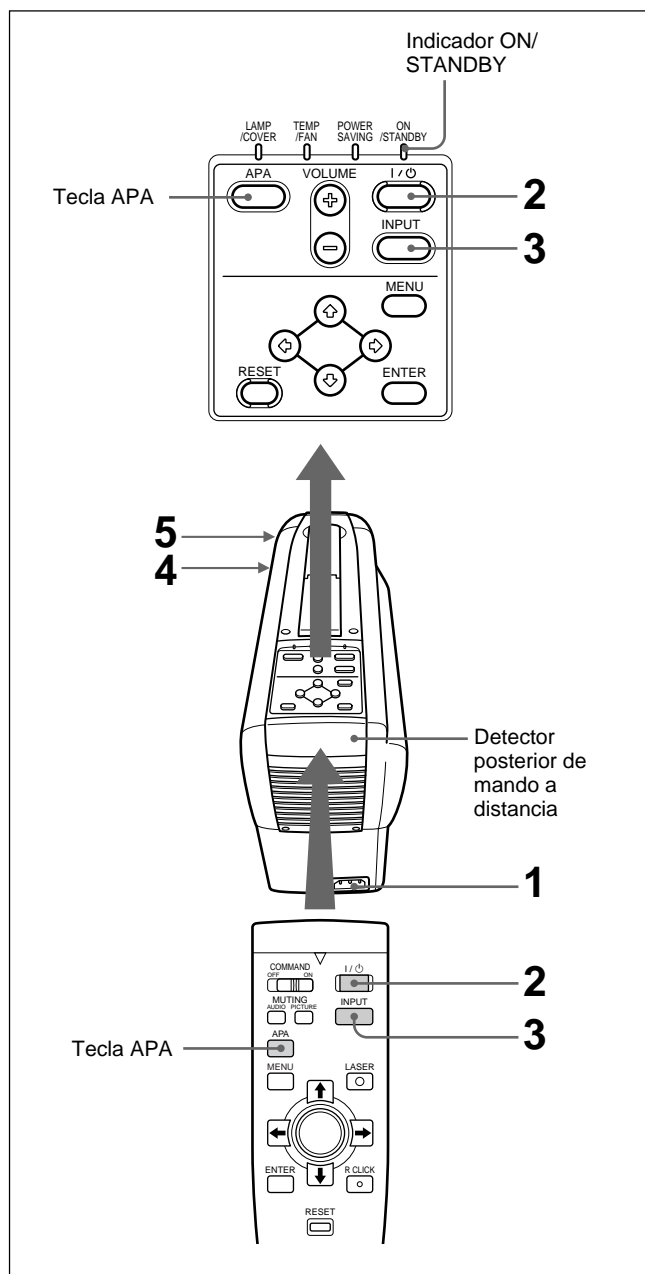
- apagar todos los equipos antes de realizar cualquier conexión.
- utilizar cables adecuados para cada conexión.
- insertar los enchufes de los cables correctamente. Si no inserta los enchufes por completo, puede producirse ruido. Para desconectar un cable, asegúrese de tirar del enchufe, no del propio cable.



### Notas

- Ajuste la relación de aspecto mediante ASPECTO en el menú AJUS ENTRAD en función de la señal de entrada.
- Cuando conecte el proyector a un equipo 15k RGB/componente de vídeo, seleccione la señal RGB o componente con ENTRAD A en el menú AJUSTE.
- Utilice la señal de sincronización compuesta al introducir la señal de sincronización externa del equipo de 15k RGB/componente.

# Proyección



**1** Una vez conectados todos los equipos por completo, enchufe el cable de alimentación de CA en la toma mural.

El indicador ON/STANDBY se ilumina en color rojo y el proyector entra en el modo de espera.

**2** Pulse la tecla I / ⏻ del mando a distancia o del panel de control.

El indicador ON/STANDBY se ilumina en color verde.

**3** Encienda el equipo conectado al proyector. Pulse la tecla INPUT del mando a distancia o del panel de control para seleccionar la fuente de entrada.

**ENTRAD A:** Selecciona las señales de audio y vídeo introducidas desde el conector INPUT A.

**VIDEO:** Selecciona las señales de audio y vídeo introducidas desde el conector de entrada de vídeo/audio. (Si realiza la conexión a las tomas S VIDEO y VIDEO, se seleccionará la señal de la toma S VIDEO.)

**4** Gire el anillo de zoom para ajustar el tamaño de la imagen.

**5** Gire el anillo de enfoque para ajustar el enfoque.

### Nota

Si mira al objetivo mientras proyecta, puede dañarse los ojos.

Para	Pulse
<b>Ajustar el volumen</b>	las teclas VOLUME +/- del panel de control o del mando a distancia.
<b>Desactivar el sonido</b>	la tecla AUDIO MUTING del mando a distancia. Para recuperar el sonido, vuelva a pulsar la tecla AUDIO MUTING o pulse la tecla VOLUME +.
<b>Desactivar la imagen</b>	la tecla PICTURE MUTING del mando a distancia. Para recuperar la imagen, vuelva a pulsar la tecla PICTURE MUTING.

## Para obtener imágenes con la mayor nitidez posible

Es posible obtener imágenes con la calidad adecuada al introducirse una señal desde el ordenador. Pulse la tecla APA del mando a distancia o del panel de control. La imagen se ajusta automáticamente para proyectarse con nitidez.

### Notas

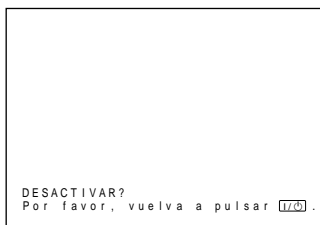
- Ajuste la señal cuando se muestra una imagen fija en pantalla.
- Si cambia la señal de entrada o vuelve a conectar un ordenador, vuelva a pulsar la tecla APA para obtener la imagen apropiada.
- La pantalla muestra “AJUSTANDO”. Vuelva a pulsar la tecla APA durante el ajuste para recuperar la pantalla original.
- La pantalla muestra “Completado.” cuando la imagen se ha ajustado adecuadamente. Es posible que la imagen no se ajuste apropiadamente en función de los tipos de señales de entrada.
- Ajuste FASE PUNTO en el menú AJUS ENTRAD si ajusta la imagen manualmente.

*Para obtener información detallada sobre FASE PUNTO, consulte la página 19 (ES).*

## Para desactivar la alimentación

- 1 Pulse la tecla I / ⏻ del mando a distancia o del panel de control.

Aparecerá el siguiente mensaje para confirmar si desea desactivar la alimentación.



### Nota

El mensaje desaparecerá si pulsa cualquier tecla, excepto I / ⏻, o si no pulsa ninguna durante cinco segundos.

- 2 Vuelva a pulsar la tecla I / ⏻ del mando a distancia o del panel de control.

El indicador ON/STANDBY parpadea en color verde y el ventilador sigue en funcionamiento durante aproximadamente 90 segundos para reducir el recalentamiento interno. Igualmente, el indicador ON/STANDBY parpadea rápidamente durante los primeros 30 segundos. Durante este espacio de tiempo, no será posible volver a activar la alimentación con la tecla I / ⏻.

- 3 Desenchufe el cable de alimentación de CA de la toma de corriente una vez que el ventilador se haya detenido y que el indicador ON/STANDBY se ilumine en color rojo.

### Si no puede confirmar el mensaje en pantalla

Si no puede confirmar el mensaje en pantalla en una determinada condición, puede desactivar la alimentación manteniendo pulsada la tecla I / ⏻ del mando a distancia o del panel de control durante aproximadamente un segundo.

### Nota

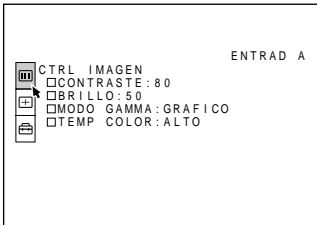
**No desenchufe el cable de alimentación de CA mientras el ventilador se encuentre en funcionamiento, ya que en caso contrario, dicho ventilador se detendrá aunque el recalentamiento interno sea alto, pudiendo producirse averías en el proyector.**

# Uso del MENU

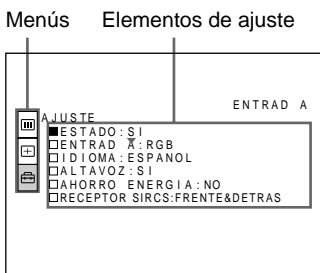
El proyector está equipado con un menú en pantalla para realizar diversos ajustes.

**Para seleccionar el idioma empleado en el menú, consulte la página 22 (ES).**

- 1 Pulse la tecla MENU.  
Aparece la pantalla de menú.  
El menú actualmente seleccionado aparece resaltado en color azul.



- 2 Emplee la tecla ↑ o ↓ para seleccionar un menú y, a continuación, pulse la tecla → o ENTER.  
Aparece el menú seleccionado.



- 3 Realice los ajustes de los elementos.  
*Para obtener información detallada sobre el ajuste de elementos por separado, consulte las páginas del menú correspondiente.*

## Para que la pantalla de menú desaparezca

Pulse la tecla MENU.  
La pantalla de menú desaparecerá automáticamente si no pulsa ninguna tecla durante un minuto.

## Para recuperar los valores ajustados de fábrica de elementos ya ajustados

Pulse la tecla RESET.  
La pantalla muestra “Completado.” y los ajustes que aparecen en pantalla recuperarán los valores ajustados de fábrica.  
Los elementos que pueden restaurarse son:

- “CONTRASTE”, “BRILLO”, “COLOR”, “TONALIDAD” y “NITIDEZ” del menú CTRL IMAGEN
- “FASE PUNTO”, “TAMANO” y “DESPLAZ” del menú AJUS ENTRAD.

## Acerca de la memoria de los ajustes

Los ajustes se almacenan automáticamente en la memoria del proyector.

## Si no se introduce ninguna señal

Cuando no entra ninguna señal, aparece “SIN ENTRADA-Imposible ajustar este parametro.” en la pantalla y no podrá ajustar ninguno de los elementos.

# Menú CTRL IMAGEN

El menú CTRL (control) IMAGEN se utiliza para ajustar la imagen.

Los elementos que no pueden ajustarse en función de la señal de entrada no aparecen en el menú.

Si se introduce la señal de vídeo

Si se introduce la señal RGB

(Continúa)

## Operación

### 1. Seleccione un elemento

Emplee la tecla **↑** o **↓** para seleccionar el elemento y, a continuación, pulse la tecla **→** o **ENTER**.

### 2. Ajuste un elemento

- Al cambiar el nivel de ajuste:  
Para que el número aumente, pulse la tecla **↑** o **→**.  
Para que el número disminuya, pulse la tecla **↓** o **←**.  
Pulse la tecla **ENTER** para recuperar la pantalla original.
- Al cambiar el ajuste:  
Pulse la tecla **↑** o **↓** para cambiar el ajuste.  
Pulse la tecla **ENTER** o **←** para recuperar la pantalla original.

---

## CONTRASTE

Ajusta el contraste de la imagen.  
Cuanto mayor sea el ajuste, mayor será el contraste.  
Cuanto menor sea el ajuste, menor será el contraste.

---

## BRILLO

Ajusta el brillo de la imagen.  
Cuanto mayor sea el ajuste, mayor será el brillo.  
Cuanto menor sea el ajuste, menor será el brillo.

---

## COLOR

Ajusta la intensidad del color.  
Cuanto mayor sea el ajuste, mayor será la intensidad.  
Cuanto menor sea el ajuste, menor será la intensidad.

---

## TONALIDAD

Ajusta los tonos del color.  
Cuanto mayor es el ajuste, la imagen adquiere un tono verdoso.  
Cuanto menor es el ajuste, la imagen adquiere un tono púrpura.

---

## NITIDEZ

Ajusta la nitidez de la imagen.  
Cuanto mayor sea el ajuste, mayor será la nitidez de la imagen.  
Cuanto menor sea el ajuste, la imagen aparecerá con mayor suavidad.

---

## IMAG DI (dinámica)

Enfatiza el color negro.  
**SI:** Enfatiza el color negro para producir imágenes “dinámicas” y marcadas.  
**NO:** Reproduce con precisión las partes oscuras de la imagen, de acuerdo con la señal fuente.

---

## MODO GAMMA

Selecciona una curva de corrección gamma.  
**GRAFICO:** Mejora la reproducción de tonos medios. Es posible reproducir fotografías en tonos naturales.  
**TEXTO:** Contrasta el blanco y el negro. Resulta adecuado para imágenes que contengan mucho texto.

---

## TEMP COLOR

Ajusta la temperatura del color.  
**ALTO:** Hace que el color blanco adquiera un tono azulado.  
**BAJO:** Hace que el color blanco adquiera un tono rojizo.

---

## SIST (sistema) COLOR

Selecciona el sistema de color de la señal de entrada. Normalmente, ajústelo en **AUTO**.  
Si la imagen se distorsiona o aparece sin color, seleccione el sistema de color en función de la señal de entrada.



## Señales de entrada y elementos de ajuste/ajustables

Elemento	Señal de entrada			
	Vídeo o vídeo S (Y/C)	Componente	RGB	Blanco y negro
CONTRASTE	●	●	●	●
BRILLO	●	●	●	●
COLOR	●	●	–	–
TONALIDAD	● (sólo NTSC3.58/ 4.43)	–	–	–
NITIDEZ	●	●	–	●
IMAG DI	●	●	–	●
MODO GAMMA	–	–	●	–
TEMP COLOR	●	●	●	●
SIST COLOR	●	–	–	●

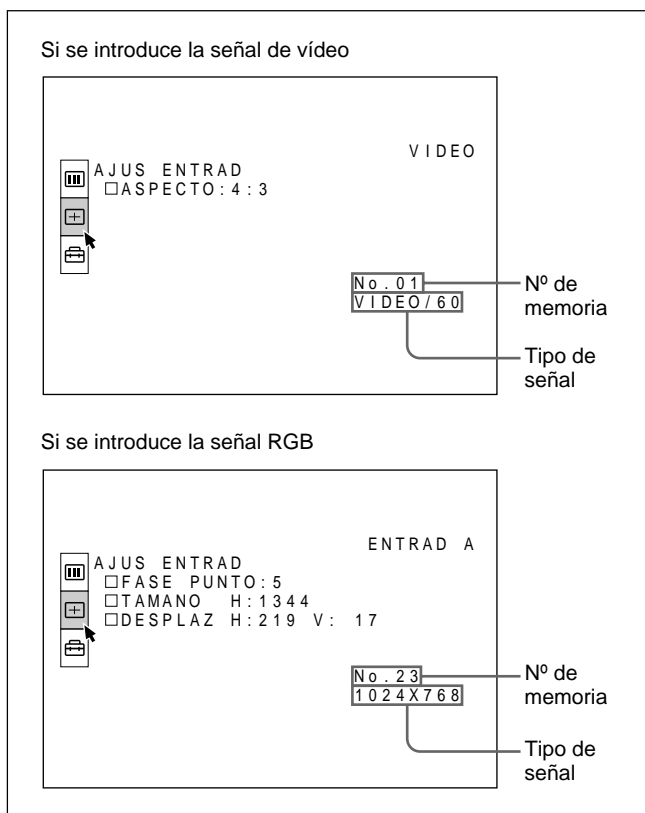
● : Ajustable/puede ajustarse

– : No ajustable/no puede ajustarse

## Menú AJUS ENTRAD

El menú AJUS ENTRAD se utiliza para ajustar la señal de entrada.

Los elementos que no pueden ajustarse en función de la señal de entrada no aparecen en el menú.



## Operación

### 1. Seleccione un elemento

Utilice la tecla **↑** o **↓** para seleccionar el elemento y, a continuación, pulse la tecla **→** o ENTER.

### 2. Ajuste un elemento

- Al cambiar el nivel de ajuste:
  - Para que el número aumente, pulse la tecla **↑** o **→**.
  - Para que el número disminuya, pulse la tecla **↓** o **←**.
  - Pulse la tecla ENTER para recuperar la pantalla original.
- Al cambiar el ajuste:
  - Pulse la tecla **↑** o **↓** para cambiar el ajuste.
  - Pulse la tecla ENTER o **←** para recuperar la pantalla original.

## FASE PUNTO

Ajusta la fase de puntos del panel LCD y la señal introducida desde el conector INPUT A. Ajuste la imagen con mayor precisión una vez ajustada con la tecla APA.

Ajuste la imagen donde aparezca con mayor nitidez.

## TAMANO

Ajusta el tamaño horizontal de la imagen introducida desde el conector INPUT A.

Cuanto mayor sea el ajuste, mayor será el tamaño horizontal de la imagen.

Cuanto menor sea el ajuste, menor será el tamaño horizontal de la imagen. Ajuste el parámetro en función de los puntos de la señal de entrada. Para obtener información detallada sobre el valor adecuado para las señales predeterminadas, consulte la página 21 (ES).

## DESPLAZ

Ajusta la posición de la imagen introducida desde el conector INPUT A.

H ajusta la posición horizontal de la imagen.

V ajusta la posición vertical de la imagen.

Al aumentar el ajuste de H, la imagen se desplazará a la derecha, mientras que al disminuir, la imagen se desplazará a la izquierda.

Al aumentar el ajuste de V, la imagen se desplazará hacia arriba, mientras que al disminuir, la imagen se desplazará hacia abajo.

Utilice la tecla **←** o **→** para ajustar la posición horizontal, y la tecla **↑** y **↓** para la posición vertical.

(Continúa)

## ASPECTO

Ajusta la relación de aspecto de la imagen.  
Al introducir la señal 16:9 (comprimida) de un equipo como un reproductor de DVD, ajústelo en 16:9.

**4:3:** Si se introduce la imagen de relación de 4:3.

**16:9:** Si se introduce la imagen de relación de 16:9 (comprimida).

## CONV EXPLO (convertidor de exploración)

Convierte la señal para mostrar la imagen en función del tamaño de la pantalla.

**SI:** Muestra la imagen en función del tamaño de la pantalla. La imagen perderá un poco de nitidez.

**NO:** Muestra la imagen al hacer coincidir un pixel del elemento de imagen entrado con el de la pantalla LCD. La imagen será nítida pero el tamaño de la imagen será menor.

### Nota

Si se introduce la señal XGA o SXGA, este elemento no aparecerá.

## Señales de entrada y elementos de ajuste/ajustables

Elemento	Señal de entrada			
	Vídeo o vídeo S (Y/C)	15k RGB/Componente	RGB	Blanco y negro
FASE PUNTO	–	–	●	–
TAMANO	–	–	●	–
DESPLAZ	–	–	●	–
ASPECTO	●	●	–	●
CONV EXPLO	–	–	●	–

● : Ajustable/puede ajustarse

– : No ajustable/no puede ajustarse

## Acerca del número de memoria predeterminada

Este proyector dispone de 37 tipos de datos predeterminada de señales de entrada para ENTRAD A (memoria predeterminada). El número de memoria de la señal de entrada actual y el tipo de señal aparecen al introducirse la señal predeterminada. Este proyector detecta automáticamente el tipo de señal. Si la señal está registrada en la memoria predeterminada, aparecerá una imagen adecuada en pantalla en función del tipo de señal. Es posible ajustar la imagen mediante el menú AJUS ENTRAD.

Este proyector también dispone de 20 tipos de memorias de usuario para ENTRAD A. Si se introduce una señal no predeterminada por primera vez, el número de memoria aparecerá como 00. Si la señal de entrada está ajustada en el menú AJUS ENTRAD, el ajuste mediante ENTRAD A se almacenará en el número de memoria 51 a 70. Si hay registradas más de 20 memorias de usuario para ENTRAD A, la memoria más reciente se almacenará automáticamente sobre la más antigua.

## Señales predeterminadas

Número de memoria	Señal predeterminada	fH (kHz)	fV (Hz)	Sincronización	TAMANO	
1	Vídeo 60 Hz	15,734	59,940	Neg H Neg V		
2	Vídeo 50 Hz	15,625	50,000	Neg H Neg V		
3	15k RGB/componente de 60 Hz	15,734	59,940	Neg H Neg V		
4	15k RGB/componente de 50 Hz	15,625	50,000	Neg H Neg V		
6	640 × 350	Modo VGA 1	31,469	70,086	Pos H Neg V	800
7		VGA VESA <sup>a)</sup> 85 Hz	37,861	85,080	Pos H Neg V	832
8	640 × 400	PC-9801 <sup>b)</sup> Normal	24,823	56,416	Neg H Neg V	848
9		Modo VGA 2	31,469	70,086	Neg H Pos V	800
10		VGA VESA 85 Hz	37,861	85,080	Neg H Pos V	832
11	640 × 480	Modo VGA 3	31,469	59,940	Neg H Neg V	800
12		Macintosh 13"	35,000	66,667	Neg H Neg V	864
13		VGA VESA 72 Hz	37,861	72,809	Neg H Neg V	832
14		VGA VESA 75 Hz	37,500	75,000	Neg H Neg V	840
15		VGA VESA 85 Hz	43,269	85,008	Neg H Neg V	832
16		800 × 600	SVGA VESA 56 Hz	35,156	56,250	Pos H Pos V
17	SVGA VESA 60 Hz		37,879	60,317	Pos H Pos V	1056
18	SVGA VESA 72 Hz		48,077	72,188	Pos H Pos V	1040
19	SVGA VESA 75 Hz		46,875	75,000	Pos H Pos V	1056
20	SVGA VESA 85 Hz		53,674	85,061	Pos H Pos V	1048
21	832 × 624	Macintosh 16"	49,724	74,550	Neg H Neg V	1152
22	1024 × 768	XGA VESA 43 Hz	35,522	43,479	Pos H Pos V	1264
23		XGA VESA 60 Hz	48,363	60,004	Neg H Neg V	1344
24		XGA VESA 70 Hz	56,476	70,069	Neg H Neg V	1328
25		XGA VESA 75 Hz	60,023	75,029	Pos H Pos V	1312
26		XGA VESA 85 Hz	68,677	84,997	Pos H Pos V	1376
27	1152 × 864	SXGA VESA 70 Hz	63,995	70,016	Pos H Pos V	1472
28		SXGA VESA 75 Hz	67,500	75,000	Pos H Pos V	1600
29		SXGA VESA 85 Hz	77,487	85,057	Pos H Pos V	1568
30	1152 × 900	Sunmicro LO	61,795	65,960	Neg H Neg V	1504
31		Sunmicro HI	71,713	76,047	Neg H Neg V	1472
32	1280 × 960	SXGA VESA 60 Hz	60,000	60,000	Pos H Pos V	1800
33		SXGA VESA 75 Hz	75,000	75,000	Pos H Pos V	1728
34	1280 × 1024	SXGA VESA 43 Hz	46,433	43,436	Pos H Pos V	1696
35		SXI-5	53,316	50,062	Neg H Neg V	1680
36		SXGA VESA 60 Hz	63,974	60,013	Pos H Pos V	1696
37		SXGA VESA 75 Hz	79,976	75,025	Pos H Pos V	1688
38		SXGA VESA 85 Hz	91,146	85,024	Pos H Pos V	1296

- a) VESA es una marca comercial registrada de Video Electronics Standard Association.  
b) PC-98 es una marca comercial registrada de NEC Corporation.

Puesto que se recuperan de la memoria los datos predeterminada sobre las siguientes señales, es posible utilizar dichos datos ajustando TAMANO. Realice el ajuste con precisión ajustando DESPLAZ.

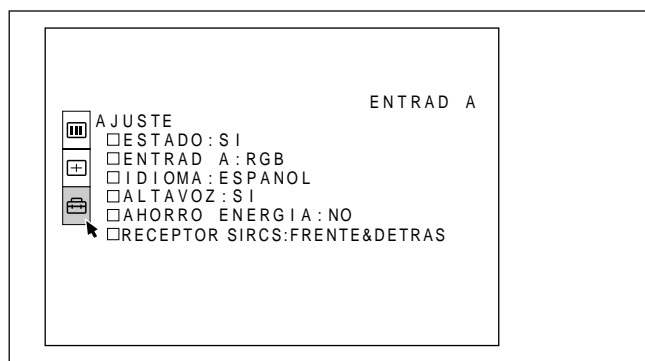
Señal	Número de memoria	TAMANO
Super Mac-2	23	1312
SXI-1	23	1320
Macintosh 19"	25	1328
Macintosh 21"	28	1456
Sony News	36	1708
PC-9821 1280 × 1024	36	1600
WS Sunmicro	37	1664

### Nota

Si la relación de aspecto de la señal de entrada no es de 4:3, parte de la pantalla aparecerá en negro.

# Menú AJUSTE

El menú AJUSTE se utiliza para cambiar los ajustes del proyector.



## Operación

### 1. Seleccione un elemento

Emplee la tecla **↑** o **↓** para seleccionar el elemento y pulse la tecla **→** o ENTER.

### 2. Cambie el ajuste

Pulse la tecla **↑** o **↓** para cambiar el ajuste.

Para recuperar la pantalla original, pulse la tecla ENTER o **←**.

## ESTADO (indicación en pantalla)

Define la indicación en pantalla.

**SI:** Muestra todas las indicaciones en pantalla.

**NO:** Desactiva las indicaciones en pantalla, excepto los menús, el mensaje que aparece al desactivar la alimentación y mensajes de aviso.

*Para obtener información detallada sobre los mensajes de aviso, consulte la página 26 (ES).*

## ENTRAD A

Selecciona la señal RGB o componente introducida desde el conector INPUT A.

### Nota

Si el ajuste no es correcto, la pantalla mostrará el mensaje “Compruebe ENTRAD A en AJUSTE.” y el color de la imagen será anormal o ésta no se mostrará.

## IDIOMA

Selecciona el idioma empleado en el menú y en las indicaciones en pantalla.

Los idiomas disponibles son inglés, francés, alemán, italiano, español, japonés y chino.

## ALTA VOZ

Ajústelo en NO para desactivar el sonido de los altavoces internos. Si lo ajusta en NO, la pantalla mostrará “ALTA VOZ NO” al activar la alimentación.

## AHORRO ENERGIA

Si lo ajusta en SI, el proyector entrará en el modo de ahorro de energía si no se introduce ninguna señal durante 10 minutos.

## RECEPTOR SIRCS

Selecciona los detectores del mando a distancia (receptor SIRCS) de la parte frontal y posterior del proyector.

**FRENTE&DETRAS:** Activa los detectores frontal y posterior.

**FRENTE:** Activa sólo el detector frontal.

**DETRAS:** Activa sólo el detector posterior.

# Mantenimiento

## Sustitución de la lámpara

Cuando llegue el momento de sustituir la lámpara, hágalo inmediatamente con una lámpara para proyector LMP-P120 nueva.

### Al sustituir la lámpara después de utilizar el proyector

Apague el proyector y desenchufe el cable de alimentación. Espere al menos una hora para que se enfríe la lámpara.

#### Nota

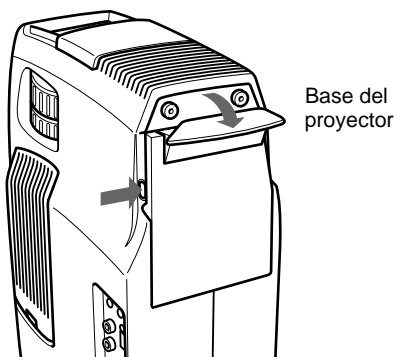
La lámpara alcanza una temperatura alta después de apagar el proyector con la tecla I/⏻. Si toca la lámpara, puede quemarse el dedo. Antes de sustituir la lámpara, espere al menos una hora para que se enfríe.

- 1 Coloque una hoja (pañó) de protección debajo del proyector.  
Incline éste 90 grados hacia atrás de forma que pueda ver la base.

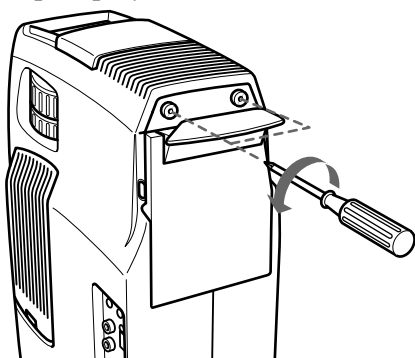
#### Nota

Tenga cuidado para evitar que se caiga el proyector después de darle la vuelta.

- 2 Pulse el botón del ajustador. El ajustador se extenderá a partir del proyector.



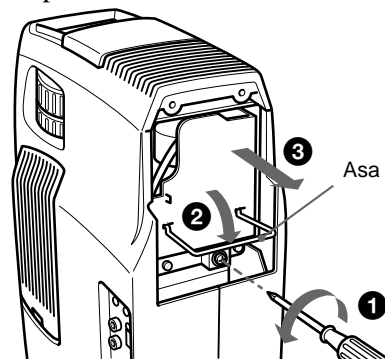
- 3 Abra la cubierta de la lámpara, que es parte del ajustador, aflojando dos tornillos con el destornillador Philips (suministrado con la lámpara para proyector LMP-P120).



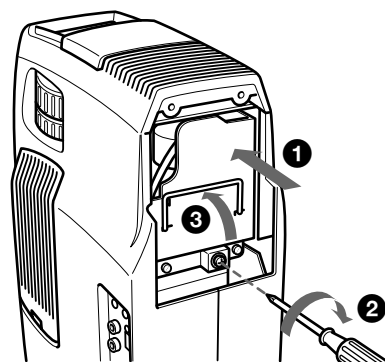
#### Nota

Para mayor seguridad, no afloje otros tornillos.

- 4 Afloje el tornillo de la unidad de lámpara con el destornillador Philips. Tire de la unidad de lámpara por el asa.



- 5 Inserte la nueva lámpara completamente hasta que encaje en su sitio. Apriete el tornillo y pliegue el asa.



#### Notas

- Tenga cuidado para no tocar la superficie de vidrio de la lámpara.
- La alimentación no se activará si la lámpara no está correctamente instalada.

- 6 Cierre la cubierta de la lámpara y apriete los tornillos.
- 7 Gire el ajustador hacia dentro y presiónelo hacia atrás.
- 8 Vuelva a darle la vuelta al proyector.
- 9 Conecte el cable de alimentación y ponga el proyector en modo de espera.
- 10 Pulse las siguientes teclas del panel de control en este orden durante menos de cinco segundos cada una: RESET, ←, →, ENTER.

(Continúa)

**Notas**

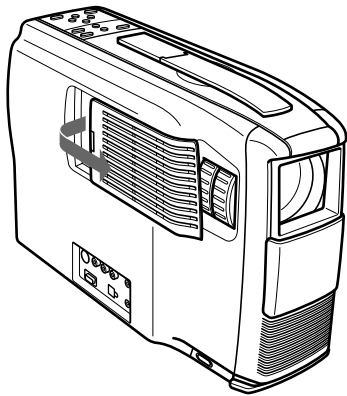
- Asegúrese de utilizar la lámpara para proyector LMP-P120 como repuesto. Si utiliza alguna lámpara que no sea la LMP-P120, puede producirse un funcionamiento defectuoso del proyector.
- Asegúrese de apagar el proyector y desenchufar el cable de alimentación antes de sustituir la lámpara.
- No introduzca la mano dentro de la lámpara al sustituirla, ni deje caer ningún líquido u objeto dentro de la misma para evitar una descarga eléctrica o incendio.

## Limpieza del filtro de aire

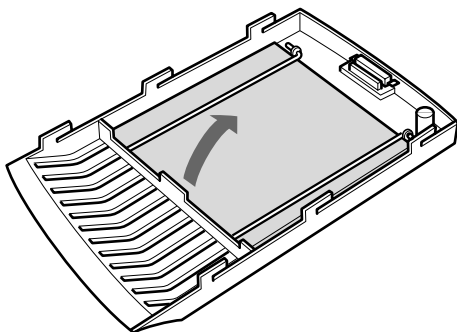
El filtro de aire debe limpiarse cada 300 horas. Si resulta difícil eliminar el polvo del filtro, sustitúyalo por uno nuevo.

Para limpiar el filtro de aire, realice los siguientes pasos:

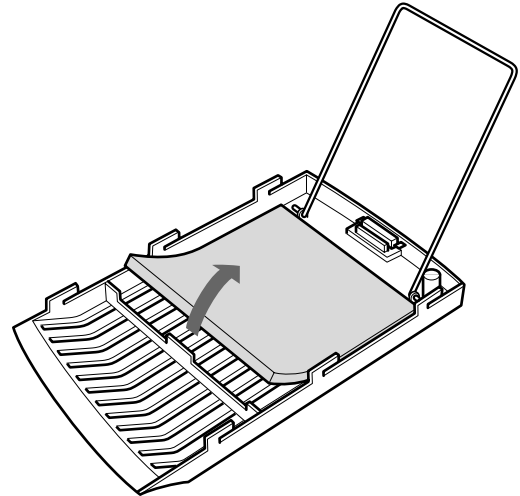
- 1** Desactive la alimentación y desenchufe el cable de la toma de corriente.
- 2** Mientras mantiene pulsado el botón de la cubierta del filtro de aire de dicha cubierta, deslice ésta hacia el objetivo para extraerla.



- 3** Tire del resorte hacia arriba.



- 4** Extraiga el filtro de aire.



- 5** Elimine el polvo del filtro con una aspiradora.
- 6** Fije el filtro de aire y vuelva a colocar la cubierta.

# Solución de problemas

Si el proyector parece no funcionar correctamente, diagnostique y solucione el problema mediante la siguiente guía. Si el problema no se soluciona, consulte con personal Sony especializado.

Síntoma	Causa	Solución
La alimentación no se activa.	La alimentación se ha desactivado y activado con la tecla I / ⏻ en un intervalo corto de tiempo.	Espere 90 segundos aproximadamente antes de activar la alimentación ( <i>consulte la página 15 (ES)</i> ).
	La cubierta de la lámpara no está instalada.	Cierre firmemente la cubierta de la lámpara ( <i>consulte la página 23 (ES)</i> ).
	La cubierta del filtro de aire no está instalada.	Cierre firmemente la cubierta del filtro de aire ( <i>consulte la página 24 (ES)</i> ).
Ausencia de imagen y de sonido.	El cable está desconectado.	Compruebe que ha realizado las conexiones adecuadas ( <i>consulte las páginas 12 (ES) a 14 (ES)</i> ).
	Conexión incorrecta.	Compruebe que ha realizado las conexiones adecuadas ( <i>consulte las páginas 12 (ES) a 14 (ES)</i> ).
	La selección de entrada es incorrecta.	Seleccione correctamente la fuente de entrada con la tecla INPUT ( <i>consulte la página 15 (ES)</i> ).
Ausencia de imagen o de sonido.	La imagen o el sonido está desactivado.	Pulse las teclas MUTING para cancelar la función de desactivación ( <i>consulte la página 15 (ES)</i> ).
Ausencia de imagen.	La señal del ordenador no está ajustada para enviarse al monitor externo.	Ajuste la señal del ordenador para que se envíe al monitor externo ( <i>consulte la página 12 (ES)</i> ).
	La señal del ordenador está ajustada para enviarse a la pantalla LCD de éste y al monitor externo.	Ajuste la señal del ordenador para que se envíe sólo al monitor externo ( <i>consulte la página 12 (ES)</i> ).
La imagen aparece con ruido.	Es posible que aparezca ruido de fondo en función de la combinación del número de puntos introducido desde el conector y el número de píxeles del panel LCD.	Cambie el patrón del escritorio en el ordenador conectado.
Al introducir sonido mediante el conector INPUT A, el sonido sólo se emite por un canal.	Se recibe sonido monofónico del conector INPUT A.	Introduzca sonido estéreo.
La entrada de imagen del conector INPUT A es demasiado brillante.	El interruptor de terminación de 75 ohmios en la parte inferior del VPL-PX1 está en OFF.	Mueva el interruptor de terminación de 75 ohmios a ON.
El color de la imagen del conector INPUT A es extraño.	El ajuste de ENTRAD A del menú AJUSTE es incorrecto.	Seleccione RGB o COMPONENTE de ENTRAD A en el menú AJUSTE en función de la señal de entrada ( <i>consulte la página 22 (ES)</i> ).
Aparece "Compruebe ENTRAD A en AJUSTE." a pesar de introducir la señal correcta de INPUT A.	El ajuste de ENTRAD A del menú AJUSTE es incorrecto.	Seleccione RGB o COMPONENTE de ENTRAD A en el menú AJUSTE en función de la señal de entrada ( <i>consulte la página 22 (ES)</i> ).
Las indicaciones en pantalla no aparecen.	El elemento ESTADO del menú AJUSTE se ha ajustado en NO.	Ajuste ESTADO en SI en el menú AJUSTE ( <i>consulte la página 22 (ES)</i> ).
El balance de color es incorrecto.	No ha ajustado la imagen correctamente.	Ajuste la imagen ( <i>consulte las páginas 17 (ES) y 18 (ES)</i> ).
	El proyector está ajustado en un sistema de color incorrecto.	Ajuste SIST COLOR en el menú CTRL IMAGEN de forma que coincida con el sistema de color que se introduce ( <i>consulte la página 18 (ES)</i> ).
La imagen aparece con demasiada oscuridad.	No ha ajustado el contraste o el brillo correctamente.	Ajuste adecuadamente el contraste o el brillo en el menú CTRL IMAGEN ( <i>consulte la página 18 (ES)</i> ).
La imagen no es nítida.	La imagen está desenfocada.	Ajuste el enfoque ( <i>consulte la página 15 (ES)</i> ).
	Se ha condensado humedad en el objetivo.	Deje el proyector con la alimentación activada durante unas dos horas ( <i>consulte la página 27 (ES)</i> ).

(Continúa)

Síntoma	Causa	Solución
El indicador LAMP/COVER parpadea.	La cubierta de la lámpara o la del filtro de aire no está instalada.	Fije firmemente la cubierta ( <i>consulte la página 23 (ES) y 24 (ES)</i> ).
El indicador LAMP/COVER se ilumina.	La lámpara ha llegado al final de su duración.	Sustituya la lámpara ( <i>consulte la página 23 (ES)</i> ).
	La temperatura de la lámpara es alta.	Espere 90 segundos hasta que la lámpara se enfríe y vuelva a activar la alimentación ( <i>consulte la página 15 (ES)</i> ).
El indicador TEMP/FAN parpadea.	El ventilador está roto.	Consulte con personal Sony especializado.
El indicador TEMP/FAN se ilumina.	La temperatura interna es inusualmente alta.	Compruebe que no hay nada que bloquee los orificios de ventilación.
El mando a distancia no funciona.	Las pilas del mando a distancia están agotadas.	Sustituya las pilas por unas nuevas ( <i>consulte la página 11 (ES)</i> ).
	El interruptor COMMANDER ON/OFF está ajustado en la posición OFF.	Ajuste el interruptor en la posición ON ( <i>consulte la página 10 (ES)</i> ).
	El cable está conectado a la toma CONTROL S OUT.	Desconecte el cable ( <i>consulte la página 10 (ES)</i> ).
	El detector de control remoto frontal/posterior está cerca de una lámpara fluorescente.	Cambie el ajuste de RECEPTOR SIRCS en el menú AJUSTE ( <i>consulte la página 22 (ES)</i> ).
No se emite el puntero láser.	Las pilas están agotadas.	Sustituya las pilas por unas nuevas ( <i>consulte la página 11 (ES)</i> ).
	Utiliza el mando a distancia con cable sin pilas.	Instale las pilas ( <i>consulte la página 11 (ES)</i> ).
El mando universal o la tecla R CLICK o L CLICK no funciona.	El puerto de ratón del ordenador no reconoce el cable de ratón.	Reinicie el ordenador.

## Mensajes de aviso

Utilice la lista que aparece a continuación para conocer el significado de los mensajes mostrados en pantalla.

Mensaje	Significado	Solución
Temperatura alta! Desconex. en 1 min.	La temperatura interna es demasiado alta.	Desactive la alimentación. Compruebe que no haya nada que bloquee los orificios de ventilación.
Frecuencia fuera de rango!	Esta señal de entrada no puede proyectarse, ya que la frecuencia se encuentra fuera del margen admisible del proyector.	Introduzca una señal que se encuentre dentro del margen de la frecuencia.
	El ajuste de resolución de la señal de salida del ordenador es demasiado alto.	Defina el ajuste de la salida en XGA ( <i>consulte la página 12 (ES)</i> ).
Compruebe ENTRAD A en AJUSTE.	Ha introducido una señal RGB del ordenador con ENTRAD A del menú AJUSTE ajustado en COMPONENTE.	Ajuste ENTRAD A correctamente ( <i>consulte la página 22 (ES)</i> ).

## Mensajes de precaución

Utilice la siguiente lista para conocer el significado de los mensajes mostrados en pantalla.

Mensaje	Significado	Solución
SIN ENTRADA	Ninguna señal de entrada	Compruebe las conexiones ( <i>consulte la página 12 (ES) a 14 (ES)</i> ).
No aplicable!	Ha pulsado la tecla incorrecta.	Pulse la tecla apropiada.



# Consejos sobre la instalación

## Instalación inadecuada

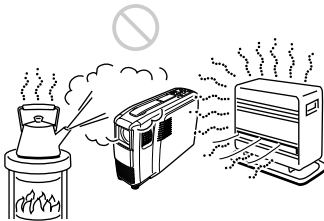
No instale el proyector en las siguientes situaciones. Estas instalaciones pueden producir fallos de funcionamiento o daños al proyector.

### Falta de ventilación



- Con el fin de evitar el recalentamiento interno de la unidad, permita que reciba una ventilación adecuada de aire. No coloque la unidad sobre superficies (mantas, colchas, etc.) ni cerca de materiales (cortinas, tapices) que puedan bloquear los orificios de ventilación. Si se produce recalentamiento interno debido al bloqueo de los orificios, el sensor de temperatura se activará y se mostrará el mensaje “Temperatura alta! Desconex. en 1 min.”. La alimentación se desactivará automáticamente transcurrido un minuto.
- Deje un espacio superior a 30 cm (11 <sup>7</sup>/<sub>8</sub> pulgadas) alrededor de la unidad.
- Procure que los orificios de ventilación no aspiren trozos pequeños de materiales, como trozos de papel.

### Calor y humedad excesivos



- Evite instalar la unidad en un lugar donde la temperatura o la humedad sea demasiado alta, o donde la temperatura sea muy baja.
- Para evitar la condensación de humedad, no instale la unidad en un lugar donde la temperatura pueda aumentar rápidamente.

### Polvo excesivo

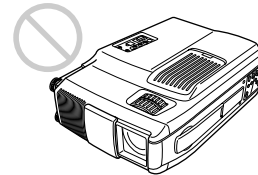


Evite instalar la unidad en un lugar donde haya mucho polvo. En caso contrario, el filtro de aire se obstruirá. Si el polvo bloquea el paso de aire a través del filtro, el calentamiento interno del proyector puede aumentar. Límpielo periódicamente.

### Notas sobre la instalación

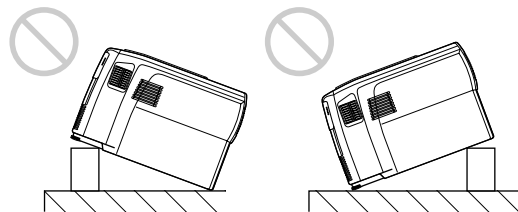
Realice lo siguiente.

### No utilice la unidad en posición horizontal



Evite utilizar la unidad mientras se encuentre en posición horizontal, ya que pueden producirse fallos de funcionamiento.

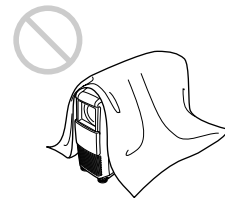
### Empléela nivelada



Instale la unidad únicamente en el suelo. No ajuste la altura del proyector, excepto al utilizar el ajustador.

Evite utilizarlo al inclinar la unidad hacia arriba o abajo, ya que pueden producirse fallos de funcionamiento.

### No bloquee los orificios de ventilación



Evite el empleo de algún objeto que cubra los orificios de ventilación, ya que puede producirse recalentamiento interno.

# Especificaciones

## Características ópticas

Sistema de proyección	3 paneles LCD, 1 objetivo, sistema de proyección
Panel LCD	TFT de 0,9 pulgadas, con panel de cristal líquido de hilera de micro-lentes, 2.359.296 pixeles (786.432 pixeles × 3)
Objetivo	Zoom de 1,3 veces f 37,3 a 48,5 mm/F 1,7 a 2,0
Lámpara	UHP de 120 W
Tamaño de imagen de proyección	Rango: 40 a 200 pulgadas (medida diagonal)
Salida de luz	ANSI lumen <sup>1)</sup> 1000 lm
Distancia de proyección	40 pulgadas: 1590 a 2040 mm (62 <sup>5</sup> / <sub>8</sub> a 80 <sup>3</sup> / <sub>8</sub> pulgadas) 60 pulgadas: 2440 a 3100 mm (96 <sup>1</sup> / <sub>8</sub> a 122 <sup>1</sup> / <sub>8</sub> pulgadas) 80 pulgadas: 3280 a 4160 mm (129 <sup>1</sup> / <sub>4</sub> a 163 <sup>7</sup> / <sub>8</sub> pulgadas) 100 pulgadas: 4120 a 5220 mm (162 <sup>1</sup> / <sub>4</sub> a 205 <sup>5</sup> / <sub>8</sub> pulgadas) 120 pulgadas: 4970 a 6280 mm (195 <sup>3</sup> / <sub>4</sub> a 247 <sup>1</sup> / <sub>4</sub> pulgadas) 150 pulgadas: 6230 a 7870 mm (245 <sup>3</sup> / <sub>8</sub> a 309 <sup>7</sup> / <sub>8</sub> pulgadas) 200 pulgadas: 8340 a 10520 mm (328 <sup>3</sup> / <sub>8</sub> a 414 <sup>1</sup> / <sub>4</sub> pulgadas)

## Características eléctricas

Sistema de color	NTSC <sub>3.58</sub> /PAL/SECAM/NTSC <sub>4.43</sub> /PAL-M, conmutado automática/manualmente
Resolución	750 líneas horizontales de TV (entrada de vídeo) 1024 × 768 puntos (entrada RGB)
Señales de ordenador admitidas	fH: 15 a 91 kHz fV: 50 a 85 Hz
Altavoz	Sistema de altavoces estéreo, 36 mm (1 <sup>7</sup> / <sub>16</sub> pulgadas) de diámetro, max. 1,0 W × 2

## Entrada/salida

### Entrada de vídeo/audio

VIDEO: tipo fonográfico  
 Vídeo compuesto: 1 Vp-p ±2 dB sincronización negativa (terminación de 75 ohmios)  
 S VIDEO: Y/C tipo mini 4 DIN de pines (macho)  
 Y (luminancia): 1 Vp-p ±2 dB sincronización negativa (terminación de 75 ohmios)  
 C (crominancia): señal de sincronización 0,286 Vp-p ±2 dB (NTSC) (terminación de 75 ohmios), señal de sincronización de 0,3 Vp-p ±2 dB (PAL) (terminación de 75 ohmios)  
 AUDIO: Tipo fonográfico × 2 500 mVrms, impedancia superior a 47 kiloohmios

### INPUT A

INPUT A: HD D-sub de 15 pines (hembra)  
 Componente/RGB analógico:  
 R/R-Y: 0,7 Vp-p ±2 dB (terminación de 75 ohmios)  
 G: 0,7 Vp-p ±2 dB (terminación de 75 ohmios)  
 G con sincronización/Y: 1 Vp-p ±2 dB sincronización negativa (terminación de 75 ohmios)  
 B/B-Y: 0,7 Vp-p ±2 dB (terminación de 75 ohmios)  
 SYNC/HD:  
 Entrada de sincronización compuesta: 1-5 Vp-p alta impedancia, positiva/negativa  
 Entrada de sincronización horizontal: 1-5 Vp-p alta impedancia, positiva/negativa  
 VD:  
 Entrada de sincronización vertical: 1-5 Vp-p alta impedancia, positiva/negativa  
 MOUSE (salida): 13 pines (hembra)  
 (Para obtener información, consulte "Asignación de pines" en la página 29 (ES).)  
 AUDIO: Minitoma estéreo 500 mVrms, impedancia superior a 47 kiloohmios  
 AUDIO OUT (salida variable): minitoma estéreo Máx. 500 mVrms, impedancia de menos de 5 kiloohmios

1) ANSI lumen es un método de medida de American National Standard IT 7.228.

## Normas de seguridad:

UL1950, cUL (CSA C22,2 No.950), FCC Clase A, IC Clase A, DHHS, EN60950, EN60825-1, CE, C-Tick

**Haz láser**

Tipo de láser Clase 2  
Longitud de onda 645 nm  
Salida 1 mW

**Generales**

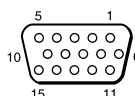
Dimensiones 108 × 223 × 337 mm (4 <sup>3</sup>/<sub>8</sub> × 8 <sup>7</sup>/<sub>8</sub> × 13 <sup>3</sup>/<sub>8</sub> pulgadas) (an/al/prf)  
Peso Aprox. 4 kg (8 lb 13 oz)  
Requisitos de alimentación CA 100 a 240 V, 2A/0,9A, 50/60 Hz  
Consumo de energía Máx. 200 W (modo de espera: 2 W)  
Disipación del calor 648,37 BTU  
Temperatura de funcionamiento 0°C a 40°C (32°F a 104°F)  
Humedad de funcionamiento 35% a 85% (sin condensación)  
Temperatura de almacenamiento -20°C a 60°C (-4°F a 140°F)  
Humedad de almacenamiento 10% a 90%  
Accesorios suministrados  
Mando a distancia RM-PJM600 (1)  
Pilas tamaño AA (R6) (2)  
Cable HD D-sub de 15 pines (1)  
Cable de ratón SIC-S22 (para PS/2) (2 m) (1)  
Cable de audio/vídeo (1,5 m) (1)  
Asa para el mando a distancia (1)  
Cable de alimentación de CA (1)  
Filtro de aire (para sustitución) (1)  
Manual de instrucciones (1)  
Tarjeta de referencia rápida (1)  
Tarjeta de garantía (1)

Diseño y especificaciones sujetos a cambios sin previo aviso.

**Accesorios opcionales**

Lámpara de proyector LMP-P120<sup>1)</sup> (para sustitución)  
Estuche de transporte VLC-SC50<sup>1)</sup>  
Selector de señal IFU-SC50  
Cable de señal de vídeo SMF-401 (HD D-sub de 15 pines (macho) ↔ HD D-sub de 15 pines (macho))  
Cable de señal SMF-402 (HD D-sub de 15 pines (macho) ↔ 3 × tipo fonográfico (macho))  
Cable de ratón SIC-S20 (para Macintosh) (2 m)  
SIC-S21 (para serie) (2 m)  
SIC-S22 (para PS/2) (2 m)  
Adaptador de señal ADP-10 (HD D-sub de 15 pines ↔ D-sub de 9 pines (para Cable SIC))  
ADP-20 (Macintosh ↔ HD D-sub de 15 pines)  
Cable SIC SIC-20A/20C/21/22  
Pantallas VPS-80C, portátil de 80 pulgadas  
VPS-100FH, plana de 100 pulgadas  
VPS-120FH, plana de 120 pulgadas

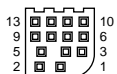
*Algunos productos pueden no encontrarse disponibles en determinadas zonas. Para más información, póngase en contacto con el proveedor Sony más próximo.*

**Asignación de pines****Conector INPUT A (HD D-sub de 15 pines, hembra)**

1	R/R-Y	9	N.C.
2	G/Y	10	GND
3	B/B-Y	11	GND
4	GND	12	N.C.
5	GND	13	HD/C.Sync
6	GND (R)	14	VD
7	GND (G)	15	N.C.
8	GND (B)		

1) La unidad LMP-P120 y VLC-SC50 puede no encontrarse disponible en ciertas zonas. Para más información, póngase en contacto con el proveedor Sony más próximo.

### Conector MOUSE (13 pines, hembra)

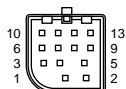


1	RTS	8	R
2	GND	9	98/AT/TXD
3	XA	10	+5V/DTR
4	XB	11	CLOCK
5	YA	12	DATA
6	YB	13	RXD
7	L/PS		

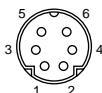
### Asignación de pines del cable de ratón

#### SIC-S22

13 pines



mini DIN de 6 pines



1	RTS	8	R
2	GND	9	98/AT/TXD
3	XA	10	+5V/DTR
4	XB	11	CLOCK
5	YA	12	DATA
6	YB	13	RXD
7	L/PS		

1	DATA
2	NC
3	GND
4	+5V
5	CLOCK
6	NC

### Dimensiones

#### Parte frontal

108,9 (4 <sup>9</sup>/<sub>32</sub>)

158,175 (6 <sup>7</sup>/<sub>32</sub>)

Centro del objetivo

#### Parte superior

#### Parte lateral

340,2 (13 <sup>13</sup>/<sub>32</sub>)

223,7 (8 <sup>13</sup>/<sub>16</sub>)

288,1 (11 <sup>11</sup>/<sub>32</sub>)

Unidad: mm (pulgadas)

# Índice alfabético

## A

Accesorios opcionales 29 (ES)  
 Accesorios suministrados 29 (ES)  
 AHORRO ENERGIA 8 (ES), 22 (ES)  
 Ajustador 7 (ES)  
 Ajuste  
   imagen 17 (ES), 18 (ES)  
   memoria de los ajustes 17 (ES)  
   tamaño/desplazamiento de la imagen 19 (ES)  
 Alimentación  
   activación 15 (ES)  
   desactivación 16 (ES)  
 ALTAVOZ 22 (ES)  
 Asa de transporte 6 (ES)  
 Asignación de pines 29 (ES), 30 (ES)  
 ASPECTO 20 (ES)

## B

BRILLO 18 (ES)

## C

Cable de ratón  
   asignación de pines 30 (ES)  
   conexión 13 (ES)  
 COLOR 18 (ES)  
 Conector de ratón 9 (ES)  
   asignación de pines 30 (ES)  
 Conector INPUT A 9 (ES)  
   asignación de pines 29 (ES)  
 Conexiones  
   equipo componente 14 (ES)  
   ordenador 12 (ES)  
   videgrabadora 14 (ES)  
 CONTRASTE 18 (ES)  
 CONV EXPLO (convertidor de exploración) 20 (ES)

## D

Desactivación  
   imagen 15 (ES)  
   sonido 15 (ES)  
 DESPLAZ 19 (ES)  
 Detector de control remoto  
   ajuste 22 (ES)  
   frontal 6 (ES)  
   posterior 6 (ES)  
 Dimensiones 30 (ES)

## E

Ejemplos de instalación 12 (ES)  
   lugares inadecuados 27 (ES)  
   notas 27 (ES)  
 ENTRAD A 22 (ES)  
 Especificaciones 28 (ES)  
 ESTADO (indicación en pantalla) 22 (ES)

## F, G, H

FASE PUNTO 19 (ES)  
 Filtro de aire 24 (ES)  
 Función del puntero láser 10 (ES)

## I, J, K, L

IDIOMA 22 (ES)  
 IMAG DI (dinámica) 18 (ES)

## M

Mando a distancia  
   función de puntero láser 10 (ES)  
   instalación de las pilas 11 (ES)  
   ubicación y función de los controles 10 (ES)

### Mensaje

  aviso 26 (ES)  
   precaución 26 (ES)

### Menú

  AJUS ENTRAD 19 (ES)  
   AJUSTE 22 (ES)  
   CTRL IMAGEN 17 (ES)  
   desactivación de la pantalla de menú 17 (ES)  
   uso del menú 17 (ES)  
 Menú AJUS ENTRAD 19 (ES)  
 Menú AJUSTE 22 (ES)  
 Menú CTRL IMAGEN 17 (ES)  
 MODO GAMMA 18 (ES)

## N

NITIDEZ 18 (ES)

## O

Orificios de ventilación  
   aspiración 7 (ES)  
   exhaustación 6 (ES)

## P, Q

Pilas  
   instalación 11 (ES)  
   notas 11 (ES)  
 Precauciones 4 (ES)

## R

RECEPTOR SIRCS 6 (ES), 22 (ES)  
 Restauración  
   elementos que pueden restaurarse 17 (ES)  
   restauración de elementos 17 (ES)

## S

SIST (sistema) COLOR 18 (ES)  
 Solución de problemas 25 (ES)  
 Sustitución de la lámpara 23 (ES)

## T

TAMANO 19 (ES)  
 Tamaño de la pantalla 12 (ES), 21 (ES), 28 (ES)  
 TEMP COLOR 18 (ES)  
 TONALIDAD 18 (ES)

## U, V, W, X, Y, Z

Ubicación y función de los controles  
   lado frontal/izquierdo 6 (ES)  
   lado posterior/derecho/inferior 6 (ES)  
   Mando a distancia 10 (ES)  
   panel de conectores 9 (ES)  
   panel de control 8 (ES)





---

Sony  line <http://www.world.sony.com/>

---

Printed on recycled paper

Sony Corporation Printed in Japan

---