

# ***LCD Data Projector***

---

Operating Instructions \_\_\_\_\_ **GB**

Mode d'emploi \_\_\_\_\_ **FR**

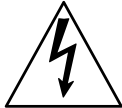
Manual de instrucciones \_\_\_\_\_ **ES**

**VPL-FX50**

# WARNING

To prevent fire or shock hazard, do not expose the unit to rain or moisture.

To avoid electrical shock, do not open the cabinet. Refer servicing to qualified personnel only.



This symbol is intended to alert the user to the presence of uninsulated “dangerous voltage” within the product’s enclosure that may be of sufficient magnitude to constitute a risk of electric shock to persons.

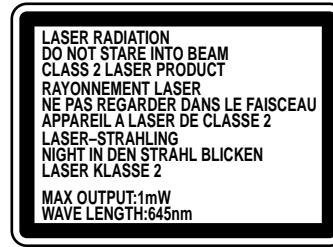


This symbol is intended to alert the user to the presence of important operating and maintenance (servicing) instructions in the literature accompanying the appliance.

## For the customers in the USA

This equipment has been tested and found to comply with the limits for a Class A digital device, pursuant to Part 15 of the FCC Rules. These limits are designed to provide reasonable protection against harmful interference when the equipment is operated in a commercial environment. This equipment generates, uses, and can radiate radio frequency energy and, if not installed and used in accordance with the instruction manual, may cause harmful interference to radio communications. Operation of this equipment in a residential area is likely to cause harmful interference in which case the user will be required to correct the interference at his own expense.

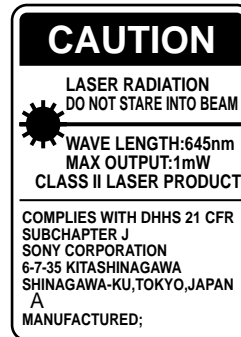
You are cautioned that any changes or modifications not expressly approved in this manual could void your authority to operate this equipment.



This label is located on the rear of the Remote Commander.



This label is located on the side of the Remote Commander.

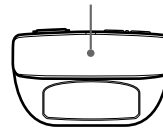


This label is located on the rear of the Remote Commander.



This label is located on the rear of the Remote Commander.

Laser light shines out of this window.



## Caution

Use of controls or adjustments or performance of procedures other than those specified herein may result in hazardous radiation exposure.

## Notes

- Do not aim the laser at people or not look into the laser transmitter.
- When the Remote Commander causes malfunction, consult with qualified Sony personnel. We change the Remote Commander as new one according to the guarantee.

## For the customers in Canada

This Class A digital apparatus complies with Canadian ICES-003.

## For the customers in the United Kingdom

### WARNING

**THIS APPARATUS MUST BE EARTHED**

### IMPORTANT

The wires in this mains lead are coloured in accordance with the following code:

Green-and-Yellow: Earth  
Blue: Neutral  
Brown: Live

As the colours of the wires in the mains lead of this apparatus may not correspond with the coloured markings identifying the terminals in your plug proceed as follows:  
The wire which is coloured green-and-yellow must be connected to the terminal in the plug which is marked by the letter E or by the safety earth symbol  $\perp$  or coloured green or green-and-yellow.  
The wire which is coloured blue must be connected to the terminal which is marked with the letter N or coloured black.  
The wire which is coloured brown must be connected to the terminal which is marked with the letter L or coloured red.

## Voor de klanten in Nederland



- Dit apparaat bevat een vast ingebouwde batterij die niet vervangen hoeft te worden tijdens de levensduur van het apparaat.
- Raadpleeg uw leverancier indien de batterij toch vervangen moet worden. De batterij mag alleen vervangen worden door vakbekwaam servicepersoneel.
- Gooi de batterij niet weg maar lever deze in als klein chemisch afval (KCA).
- Lever het apparaat aan het einde van de levensduur in voor recycling, de batterij zal dan op correcte wijze verwerkt worden.

The socket-outlet should be installed near the equipment and be easily accessible.

Apparaten ma kun tilkoples jordet stikkontakt.  
Apparatet må kun tilkoples jordet stikkontakt.

## Warning on power connection

Use a proper power cord for your local power supply.

	The United States, Canada		Continental Europe		UK, Ireland, Australia, New Zealand	Japan
Plug type	VM0233	290B	YP-12A	COX-07	— <sup>1)</sup>	YP332
Female end	VM0089	386A	YC-13B	COX-02	VM0310B	YC-13
Cord type	SJT	SJT	H05VV-F	H05VV-F	N13237/CO-228	VCTF
Rated Voltage & Current	10A/125V	10A/125V	10A/250V	10A/250V	10A/250V	7A/125V
Safety approval	UL/CSA	UL/CSA	VDE	VDE	VDE	DENTORI

© 1999 - 2000 WESTTEK LLC. All Rights Reserved. WESTTEK and the WT Logo are registered trademarks of WESTTEK, LLC.

The SONY VPL-Series projector contains materials owned by Sony and Sony suppliers, including WESTTEK, LLC. Your purchase of the SONY VPL-Series projector gives you a limited right to use these materials, solely as a part of the SONY VPL-Series projector and only as necessary to use the SONY VPL Series projector in the manner described in the accompanying documentation. Your purchase of the SONY VPL-Series projector does not transfer any ownership in these materials to you and you are forbidden to use them for any purpose other than as part of the SONY VPL-Series projector. These materials are protected by copyright law and international treaties any unauthorized use, reproduction or distribution of such materials, or any portion of them, may result in severe civil and criminal penalties, and will be prosecuted to the maximum extent permissible under law.

1) Use the correct plug for your country.



# Table of Contents

## Overview

<b>Precautions .....</b>	<b>7 (GB)</b>
<b>Features .....</b>	<b>8 (GB)</b>
<b>Location and Function of Controls .....</b>	<b>9 (GB)</b>
Front .....	9 (GB)
Rear/Bottom .....	9 (GB)
Control panel .....	10 (GB)
Connector panel .....	12 (GB)
Remote Commander .....	13 (GB)

## Setting up and projecting

<b>Installing the Projector .....</b>	<b>14 (GB)</b>
<b>Connecting .....</b>	<b>15 (GB)</b>
Connecting with a Computer or a VCR .....	15 (GB)
Connecting with a 15k RGB/Component Equipment .....	16 (GB)
Connecting to LAN .....	16 (GB)
<b>Selecting the Menu Language .....</b>	<b>18 (GB)</b>
<b>Projecting .....</b>	<b>18 (GB)</b>

## Adjustments and settings using the menu

<b>Using the MENU .....</b>	<b>21 (GB)</b>
<b>The PICTURE CTRL Menu .....</b>	<b>22 (GB)</b>
<b>The INPUT SETTING Menu .....</b>	<b>23 (GB)</b>
<b>The SET SETTING Menu .....</b>	<b>25 (GB)</b>
<b>The INSTALL SETTING Menu .....</b>	<b>26 (GB)</b>

## Installation

<b>Installation Example .....</b>	<b>28 (GB)</b>
<b>Notes for Installation .....</b>	<b>29 (GB)</b>
Unsuitable Installation .....	29 (GB)
Unsuitable Conditions for Use .....	29 (GB)

## **Maintenance**

<b>Maintenance .....</b>	<b>30 (GB)</b>
Replacing the Lamp .....	30 (GB)
Cleaning the Air Filter .....	31 (GB)
<b>Troubleshooting .....</b>	<b>32 (GB)</b>

## **Other**

<b>Specifications .....</b>	<b>34 (GB)</b>
<b>Index .....</b>	<b>37 (GB)</b>

---

## Precautions

---

### On safety

- Check that the operating voltage of your unit is identical with the voltage of your local power supply.
- Should any liquid or solid object fall into the cabinet, unplug the unit and have it checked by qualified personnel before operating it further.
- Unplug the unit from the wall outlet if it is not to be used for several days.
- To disconnect the cord, pull it out by the plug. Never pull the cord itself.
- The wall outlet should be near the unit and easily accessible.
- The unit is not disconnected to the AC power source (mains) as long as it is connected to the wall outlet, even if the unit itself has been turned off.
- Do not look into the lens while the lamp is on.
- Do not aim the laser at people or not look into the laser transmitter.
- Do not place your hand or objects near the ventilation holes — the air coming out is hot.
- Be careful not to catch your fingers by the adjuster when you lift up the projector. Do not push hard on the top of the projector with the adjuster out.
- Be sure to grasp the both sides of the projector with both your hands when carrying the projector.


---

### On illumination

- To obtain the best picture, the front of the screen should not be exposed to direct lighting or sunlight.
- Ceiling-mounted spot lighting is recommended. Use a cover over fluorescent lamps to avoid lowering the contrast ratio.
- Cover any windows that face the screen with opaque draperies.
- It is desirable to install the projector in a room where floor and walls are not of light-reflecting material. If the floor and walls are of reflecting material, it is recommended that the carpet and wall paper be changed to a dark color.

---

### On preventing internal heat build-up

After you turn off the power with the I /  key on the Remote Commander or on the control panel, do not disconnect the unit from the wall outlet while the cooling fan is still running.

#### Caution

The projector is equipped with ventilation holes (intake) on the bottom and ventilation holes (exhaust) on the front. Do not block or place anything near these holes, or internal heat build-up may occur, causing picture degradation or damage to the projector.

---

### On cleaning

- To keep the cabinet looking new, periodically clean it with a soft cloth. Stubborn stains may be removed with a cloth lightly dampened with a mild detergent solution. Never use strong solvents, such as thinner, benzene, or abrasive cleansers, since these will damage the cabinet.
- Avoid touching the lens. To remove dust on the lens, use a soft dry cloth. Do not use a damp cloth, detergent solution, or thinner.
- Clean the filter at regular intervals every 300 hours.

---

### On repacking

Save the original shipping carton and packing material; they will come in handy if you ever have to ship your unit. For maximum protection, repack your unit as it was originally packed at the factory.

---

### On LCD projector

The LCD projector is manufactured using high-precision technology. You may, however, see tiny black points and/or bright points (red, blue, or green) that continuously appear on the LCD projector. This is a normal result of the manufacturing process and does not indicate a malfunction.

---

# Features

---

## High brightness, high picture quality

### • High brightness

The high aperture ratio LCD panel with a microlens and the 250 W UHP lamp provide high brightness (light output 3500 ANSI lumen) and excellent uniformity on the picture.

### • High resolution

By adopting three 1.3-inch, approximately 790,000-pixels XGA panels, this projector can project sharp picture with the resolutions of 1024 × 768 pixels for RGB input, and 750 horizontal TV lines for video input.

### • High picture performance

The DDE (Dynamic Detail Enhancer) technology, newly and originally developed by Sony, enables converting interlace format video signal to progressive format, allowing you to obtain a detailed picture. The technology also reproduces the film sources in 2-3 Pull-Down format with smooth picture movement.

The internal RGB enhancer provides sharper RGB pictures. The 10-bit 3D Digital Gamma correction for good picture uniformity is also provided.

---

## Convenient and flexible setup

### • Power zoom/power focus lens and the lens shift function

The projector is equipped with a 1.3-times power zoom and power focus lens, which allows you to change the size of the projected image without having to move the projector. The lens shift function enables you to install the projector in a wide range of locations, without worrying about trapezoid distortion. Also, three optional lenses are available for the projector, depending on your setup condition.

### • Center positioned lens

The projector is designed to locate the lens in the center of the unit. This enables an easy setup, as the lens center aligns with the center of the screen.

### • Tilt installation (in front and rear)

You can install the projector by tilting it 90 degrees at the rear or 90 degrees in front. You can use a mirror for rear projection.

### • Twin stack installation

Thanks to the lens shift function, two projectors can be stacked, which improves the brightness of the image.

---

## Multi scan compatibility

### • DVI and 5BNC connectors

The projector has the DVI (Digital Visual Interface) connector, the up-to-date digital input connector, which allows you to connect to the digital or analog RGB equipment equipped with the DVI output. The 5BNC input connectors allow you to connect to workstation output high-resolution signals and to connect to a computer from a long distance.

The projector has 44 preset data for input signals in the memory, which allows you to project a clear picture on the screen simply by connecting equipment and pressing the APA (Auto Pixel Alignment) key.

### • Accept various input signals

The projector accepts video signals of the composite, S video and component, and can also display the 15k RGB, DTV, HDTV, VGA<sup>1)</sup>, SVGA<sup>1)</sup>, XGA<sup>1)</sup>, SXGA<sup>1)</sup> and UXGA<sup>1)</sup> (fV=60 Hz) signals.

### • Scan converter built-in

The projector has a built-in scan converter which converts the input signal within 1024 × 768 pixels.

### • Compatible with six color systems

NTSC<sup>3,58</sup>, PAL, SECAM, NTSC<sup>4,43<sup>2)</sup></sup>, PAL-M or PAL-N color system can be selected automatically or manually.

---

## Other function

### • Networking compatibility

The projector is equipped with a PC CARD slot and ETHER connector, which allows you to connect to a wired or wireless LAN.

*For information on the networking function of this projector, refer to the supplied Operating Instructions for Networking.*

---

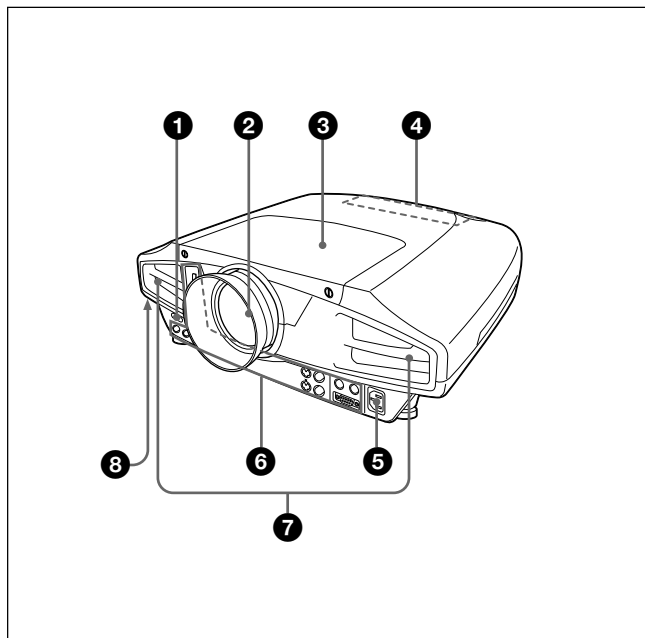
1) VGA, SVGA, XGA, SXGA and UXGA are registered trademarks of the International Business Machines Corporation, U.S.A.

2) NTSC<sup>4,43</sup> is the color system used when playing back a video recorded on NTSC on an NTSC<sup>4,43</sup> system VCR.

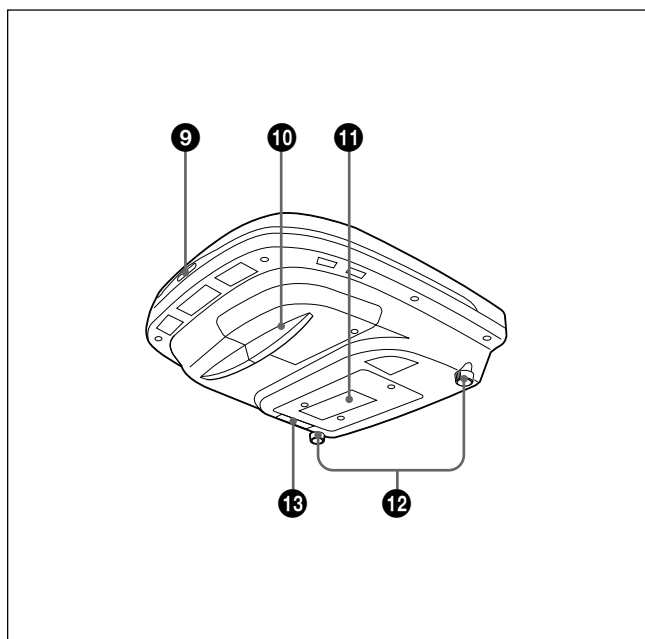


# Location and Function of Controls

## Front



## Rear/Bottom



### ❶ Front remote control detector

### ❷ Lens

Remove the lens cap before projection.

### ❸ Lens cover

### ❹ Control panel

For details, see "Control panel" on page 10 (GB).

### ❺ AC IN socket

Connects the supplied AC power cord.

### ❻ Connector panel

For details, see page 12 (GB).

### ❼ Ventilation holes (exhaust)

### ❽ Security lock

Connects to an optional security cable (Kensington's).

The security lock corresponds to Kensington's MicroSaver® Security System.

If you require further information, contact

Kensington  
2855 Campus Drive  
San Mateo, CA 94403

in North America  
Phone: 800-235-6708  
Fax: 800-247-1317

Outside North America  
Phone: 847-541-9500

Home page address:  
<http://www.kensington.com/>

### ❹ Rear remote control detector

### ❺ Lamp cover

### ❻ Ventilation holes (intake)

**Notes**

- Do not place anything near the ventilation holes as it may cause internal heat build-up.
- Do not place your hand or objects near the ventilation holes — the air coming out is hot.

**12 Adjuster**

Use the adjusters to keep the projector level if it is installed on an uneven surface.

Adjust the height so that the projector becomes level. The projector is raised by turning the adjusters clockwise, or it is lowered by turning them counterclockwise.

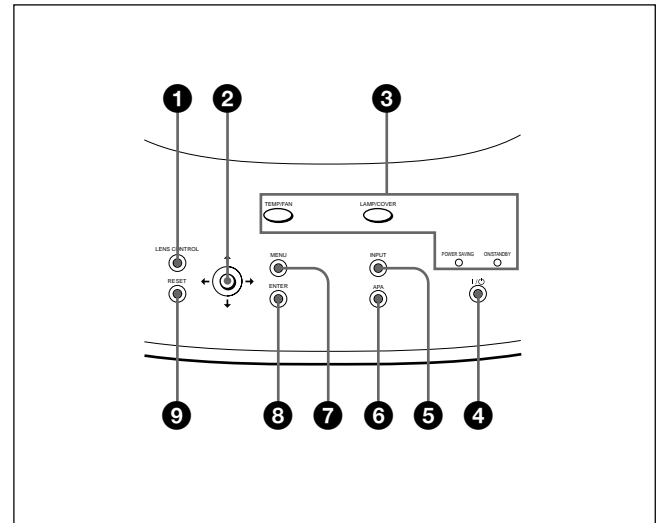
**13 Air filter**

To remove the air filter, pull it out horizontally with this part.

For details, see “Cleaning the Air Filter” on page 31 (GB).

**Note**

**Clean the air filter every 300 hours** to ensure optimal performance.

**Control panel****1 LENS CONTROL key**

Enters the focus, zoom or shift adjustment mode. Next adjust them using the arrow keys. Each time you press the key, the mode changes to LENS FOCUS, LENS ZOOM and LENS SHIFT in order. The mode currently selected is displayed on the screen.

**LENS FOCUS:** Enters the focus adjustment mode.

Next adjust the focus using the arrow keys. Press the **↑** or **→** key to focus on a picture further back, and the **↓** or **←** key to focus on a forward picture. You cannot select LENS FOCUS when you attach the optional lens.

**LENS ZOOM:** Enters the zoom adjustment mode.

Next adjust the picture size using the arrow keys. Press the **↑** or **→** key to enlarge the picture size, and the **↓** or **←** key to reduce it. You cannot select LENS ZOOM when you attach the optional lens.

**LENS SHIFT:** Enters the shift adjustment mode.

Next adjust the vertical position of the picture using the arrow keys. Press the **↑** or **→** key to move the picture upward, and the **↓** or **←** key to move it downward.

**2 Arrow keys (↑/↓/←/→)**

Used to adjust focus, zoom and shift, or to move the cursor or make various adjustments in the menu.

**3 Indicators****TEMP (Temperature)/FAN**

- Lights up when temperature inside the projector becomes unusually high.
- Flashes when the fan is broken.

**LAMP/COVER**

- Lights up when the lamp has reached the end of its life or becomes a high temperature.
- Flashes when the lamp cover or air filter is not secured firmly.

**POWER SAVING**

Lights up when the projector is in the power saving mode. When POWER SAVING in the SET SETTING menu is set to ON, the projector goes into the power saving mode if no signal is input for 10 minutes. Although the lamp goes out, the cooling fan keeps running. In the power saving mode, any key does not function for the first 40 seconds. The power saving mode is canceled when a signal is input or any key is pressed.

**ON/STANDBY**

- Lights in red when the AC power cord is plugged into the wall outlet. Once in the standby mode, you can turn on the projector with the I / ⏻ key.
  - Lights in green when the power is turned on.
  - Flashes in green while the cooling fan runs after turning off the power with the I / ⏻ key. The fan runs for about 120 seconds after turning off the power.
- The ON/STANDBY indicator flashes quickly for the first 40 seconds. During this time, you cannot turn the power back on with the I / ⏻ key.

*For details on the LAMP/COVER and the TEMP/FAN indicators, see page 33 (GB).*

**4 I / ⏻ (on / standby) key**

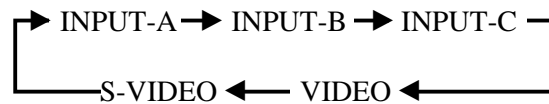
Turns on the projector when the projector is in the standby mode. The ON/STANDBY indicator lights in green when the power is turned on.

**When turning off the power, press the I / ⏻ key twice following the message on the screen, or press and hold the key for about one second.**

*For details on steps for turning off the power, see “To turn off the power” on page 20 (GB).*

**5 INPUT key**

Selects the input signal. Each time you press the key, the input signal switches as follows:



INPUT C is not displayed when INPUT C FUNC. is set to OFF in the INSTALL SETTING menu.

**6 APA (Auto Pixel Alignment) key**

Adjusts a picture to be projected clearest automatically while a signal from the computer is input. Adjusts the shift (up/down and left/right) at the same time automatically. (Only when inputting a RGB (analog) signal from the computer).

**Note**

Press the APA key when the full image is displayed on the screen. If there are black edges around the image, the APA function will not function properly and the image may extend beyond the screen.

**7 MENU key**

Displays the on-screen menu. Press again to clear the menu.

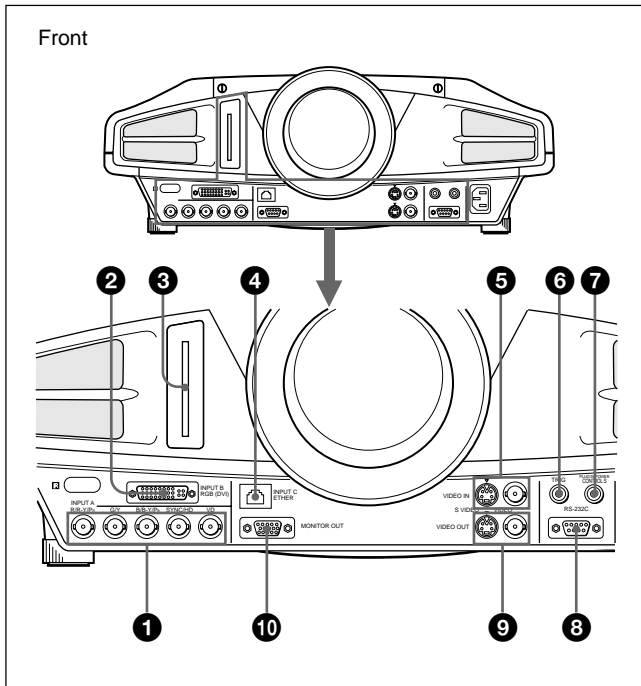
**8 ENTER key**

Enters the settings of items in the menu system.

**9 RESET key**

Resets the value of an item back to its factory preset value. This key functions when the menu or a setting item is displayed on the screen.

## Connector panel



### ① INPUT A 5BNC connectors (R/R-Y/Pr, G/Y, B/B-Y/Pb, SYNC/HD, VD connectors) (BNC type)

Connect to a high-resolution computer or VCR where signals are transmitted long distances; for example, when the projector is installed on the ceiling. According to the connected equipment, computer, component (R-Y/Y/B-Y), HDTV or DTV signal is selected.

### ② INPUT B RGB (DVI) connector

Connect to equipment equipped with the DVI output (digital or analog RGB) using a commercially available DVI cable.

### ③ INPUT C PC CARD slot (Type II)

A wireless LAN PC card or PC memory card can be attached according to your requirement.

*For details, see "Installing a PC card" on page 16 (GB).*

### ④ INPUT C ETHER connector (10BASE-T)

Connect to a computer on the same LAN with the LAN cable when you use the networking function of this projector.

### ⑤ VIDEO IN connectors

Connect to external video equipment such as a VCR.

**S VIDEO (mini DIN 4-pin):** Connects to the S video output (Y/C video output) on video equipment.

**VIDEO (BNC type):** Connects to the composite video output.

### ⑥ TRIG (trigger output) jack (monaural minijack)

The signal is transmitted from this jack to the connected equipment whether the projector is on or off. (This is not a power source for external equipment.) Approximately 12 V DC signal is output when the projector power is on. The signal is 0 volt level output when the projector power is off.

### ⑦ CONTROL S/PLUG IN POWER (DC 5V output) jack (stereo minijack)

Connects to the control S out jacks of the Sony equipment. Connects to the CONTROL S OUT jack on the supplied Remote Commander when using it as a wired Remote Commander. In this case, you do not need to install the batteries in the Remote Commander, since the power is supplied from this jack.

### ⑧ RS-232C connector (D-sub 9-pin, female)

Connects to a computer to operate the projector from the computer.

### ⑨ VIDEO OUT connectors

**S VIDEO (mini DIN 4-pin):** Used as loop-through output via the S VIDEO IN connector.

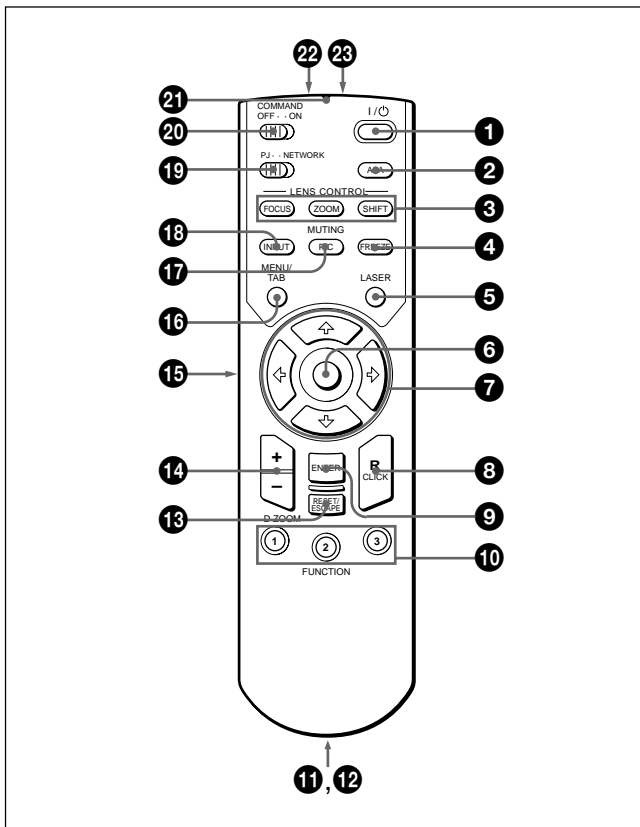
**VIDEO (BNC type):** Used as loop-through output via the VIDEO IN connector.

### ⑩ MONITOR OUT connector (HD D-sub 15-pin, female)

Connects to the monitor input connector on the monitor. Outputs signals from the selected channel in the INPUT A (5BNC) or INPUT B (DVI) connector. This connector does not output any signals from the DVI connector if the input signal is digital.

## Remote Commander

The keys which have the same names as those on the control panel function identically.



### Notes on laser beam

- Do not look into the laser transmitter.
- Do not aim the laser at people.

#### 1 I / ⏻ key

#### 2 APA (Auto Pixel Alignment) key

#### 3 LENS CONTROL FOCUS/ZOOM/SHIFT keys

#### 4 FREEZE key

Used to freeze the picture projected. To cancel the frozen picture, press the key again.

#### 5 LASER key

Emits laser beam from the laser transmitter while you keep this key pressed.

#### 6 Mouse

This functions as the mouse in the INPUT C window of this projector when the PJ/NETWORK select switch is set to NETWORK.

#### 7 Arrow keys (↑/↓/←/→)

#### 8 R (right) CLICK key

When the PJ/NETWORK select switch is set to NETWORK, this key functions as the right button on the mouse in the INPUT C window of this projector.

#### 9 ENTER key

#### 10 FUNCTION 1/2/3 keys

Functions when the PJ/NETWORK select switch is set to NETWORK.

When the INPUT C window is displayed on the projector, you can start an application by just pressing a FUNCTION key. To use this function, allocate an application to a FUNCTION key. Allocation to the FUNCTION 3 key is set to the keyboard software display.

For details on how to allocate an application to the FUNCTION keys, refer to the Operating Instructions for Networking.

#### 11 Strap holder

Attaches a strap.

#### 12 CONTROL S OUT jack (stereo minijack)

Connects to the CONTROL S IN jack on the projector with the connecting cable (not supplied) when using the Remote Commander as a wired one. In this case, you do not need to install the batteries since the power is supplied via the CONTROL S IN jack on the projector.

#### 13 RESET/ESCAPE key

When the PJ/NETWORK select switch is set to PJ: Functions as the RESET key.

When the PJ/NETWORK select switch is set to NETWORK: Functions as the ESCAPE key of the keyboard when the INPUT C window is displayed.

#### 14 D ZOOM +/- key

Enlarges the image at a desired location on the screen.

+ : Pressing the + key once displays the icon. This icon indicates the point you want to enlarge. Use an arrow key (↑/↓/←/→) to move the icon to the point to be enlarged. Press the + key repeatedly until the image is enlarged to your requirements.

- : Pressing the - key reduces an image that has been enlarged with the D ZOOM + key.

#### 15 L (left) CLICK key

When the PJ/NETWORK select switch is set to NETWORK, this key functions as the left button on a mouse in the INPUT C window of the projector.

#### 16 MENU/TAB key

When the PJ/NETWORK select switch is set to PJ: Functions as the MENU key.

When the PJ/NETWORK select switch is set to NETWORK: Functions as the TAB key of the keyboard when the INPUT C window is displayed.

**17 PIC MUTING key**

Cuts off the picture. Press again to restore the picture.

**18 INPUT key**

**19 PJ/NETWORK select switch**

To use the Remote Commander for network operations, set the switch to NETWORK. Set the switch to PJ to use the Remote Commander for normal operations other than networking.

**20 COMMAND ON/OFF switch**

When this switch is set to OFF, no key on the Remote Commander function. This saves the battery power.

**21 Transmission indicator**

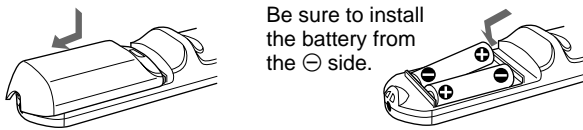
Lights up when you press a key on the Remote Commander. This indicator does not light up when you use the laser pointer.

**22 Infrared transmitter**

**23 Laser transmitter**

**Battery installation**

- 1 Push and slide to open the lid, then install the two size AA (R6) batteries (supplied) with the correct polarity.



- 2 Replace the lid.

**Notes on batteries**

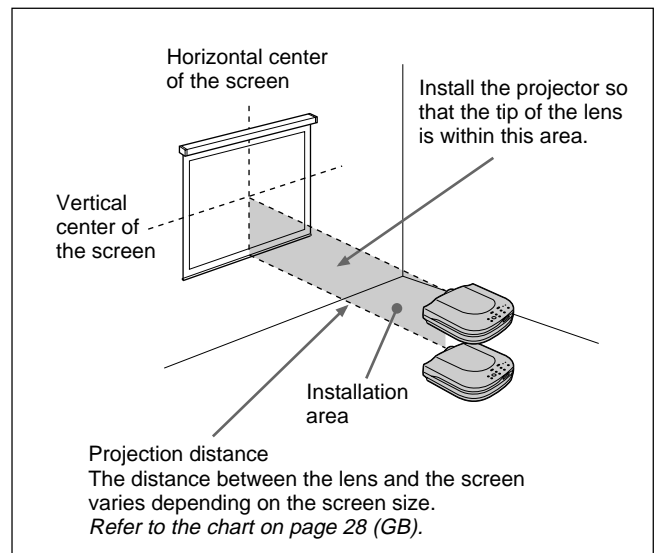
- Make sure that the battery orientation is correct when inserting batteries.
- Do not mix an old battery with a new one, or different types of batteries.
- If you will not use the Remote Commander for a long time, remove the batteries to avoid damage from battery leakage. If batteries have leaked, remove them, wipe the battery compartment dry and replace the batteries with new ones.

**Notes on Remote Commander operation**

- Make sure that there is nothing to obstruct the infrared beam between the Remote Commander and the remote control detector on the projector.
- The operation range is limited. The shorter the distance between the Remote Commander and the projector is, the wider the angle within which the commander can control the projector.

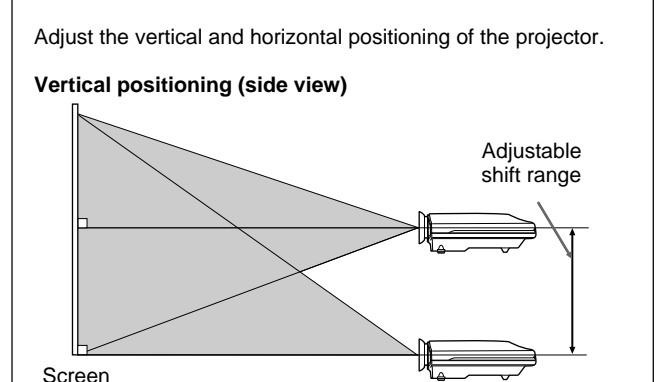
# Installing the Projector

This section describes the installation arrangements for installing the projector.



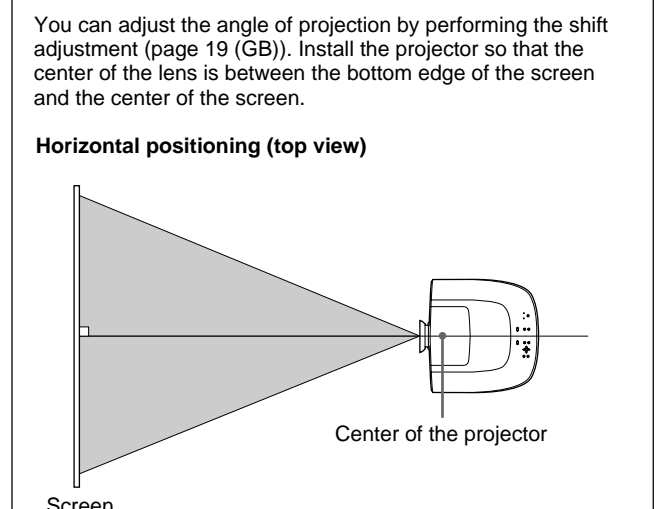
Adjust the vertical and horizontal positioning of the projector.

**Vertical positioning (side view)**



You can adjust the angle of projection by performing the shift adjustment (page 19 (GB)). Install the projector so that the center of the lens is between the bottom edge of the screen and the center of the screen.

**Horizontal positioning (top view)**



Adjust the horizontal positioning of the projector so that the center of the lens is aligned with the horizontal center of the screen.

# Connecting

**When making connections, be sure to:**

- turn off all equipment before making any connections.
- use the proper cables for each connection.
- insert the plugs of the cables properly; plugs that are not fully inserted often generate noise. When pulling out a cable, be sure to pull it out from the plug, not the cable itself.

## Connecting with a Computer or a VCR

This section describes how to connect the projector to a computer or video equipment.

Also refer to the instruction manual of equipment to be connected.

### Notes

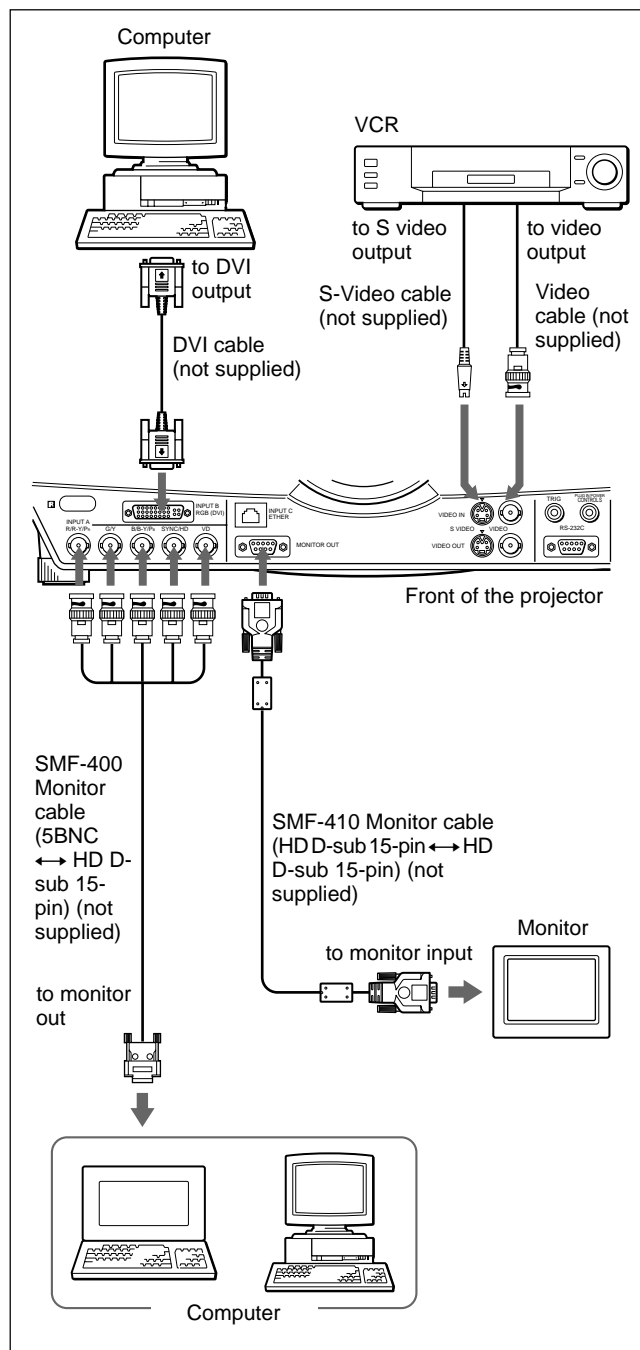
- This unit accepts the VGA, SVGA, XGA, SXGA or UXGA (60 Hz) signals. However, we recommend you to set the output signal of your computer to the XGA.
- If you set your computer, such as a notebook type IBM PC/AT <sup>1)</sup> compatible, to output the signal to both the display of your computer and the external monitor, the picture of the external monitor may not appear properly. In such cases, set the output mode of your computer to output the signal to only the external monitor.

*For details, refer to the operating instructions supplied with your computer.*

- This projector complies with DDC1 and DDC2B (Plug & Play). (DDC1 and DDC2B are the Display Data Channel (DDC™) <sup>2)</sup> standard in the VESA standard.) When connecting a DDC1 host system, the projector synchronizes with V.CLK that follows the VESA standard and outputs EDID (Extended Display Identification Data) to the data line. When connecting a DDC2B host system, the projector automatically switches to the appropriate communication mode.

The INPUT B RGB (DVI) connector complies with the VESA DDC2B. If your computer or graphics board is compatible with DDC, turn on the power of the equipment as follows:

- 1 According to the input signal, set INPUT-B TERM. in the SET SETTING menu to PC ANALOG or PC DIGITAL.
- 2 Connect the projector to the computer with the DVI cable.
- 3 Turn on the power of the projector.
- 4 Boot up the computer.



### Notes

- Set INPUT-A in the SET SETTING menu to COMPUTER when you connect the computer to the INPUT A connector.  
*For details, see page 26 (GB).*
- When connecting a Macintosh<sup>3)</sup> computer equipped with video output connector of a type having two rows of pins to the INPUT A connector, use a commercially available plug adaptor.
- Select PC DIGITAL or PC ANALOG using INPUT-B TERM. in the SET SETTING menu depending on the signal input.  
*For details, see page 26 (GB).*

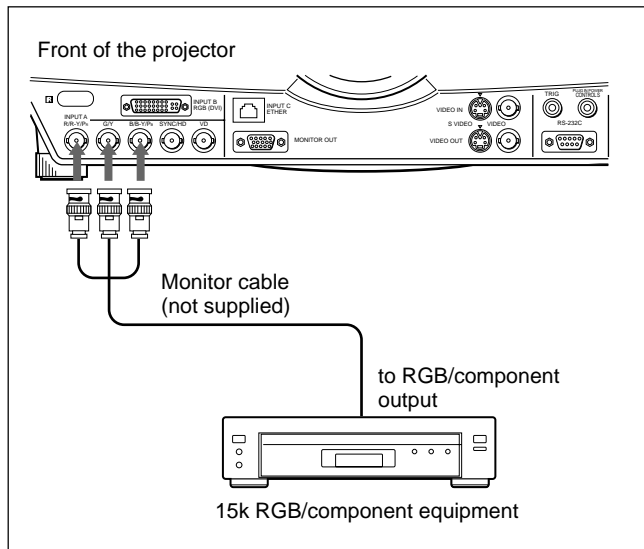
1) IBM and PC/AT are a trademark and a registered trademark of International Business Machines Corporation, U.S.A.

2) DDC™ is a registered trademark of the Video Electronics Standard Association.

3) Macintosh is a registered trademark of Apple Computer Inc.

## Connecting with a 15k RGB/Component Equipment

This section describes how to connect the projector with a 15k RGB/component equipment. Also refer to the instruction manuals of the equipment to be connected.



### Notes

- Set the aspect ratio using ASPECT in the INPUT SETTING menu according to the input signal.  
*For details, see page 24 (GB).*
- Select the input signal using INPUT-A in the SET SETTING menu.  
*For details, see page 26 (GB).*
- Use the composite sync signal when you input the external sync signal from 15k RGB/component equipment.

### Connecting to a HDTV 1035/60i

Since the screen ratio of a high definition image is 16:9 and 576 lines are displayed in the vertical direction, the image displayed is not a high-definition image.

## Connecting to LAN

This projector is compatible with networking. Installing a wireless LAN PC card or using the ETHER connector enables you to connect the projector to a wireless or wired LAN. You can also install a PC memory card.

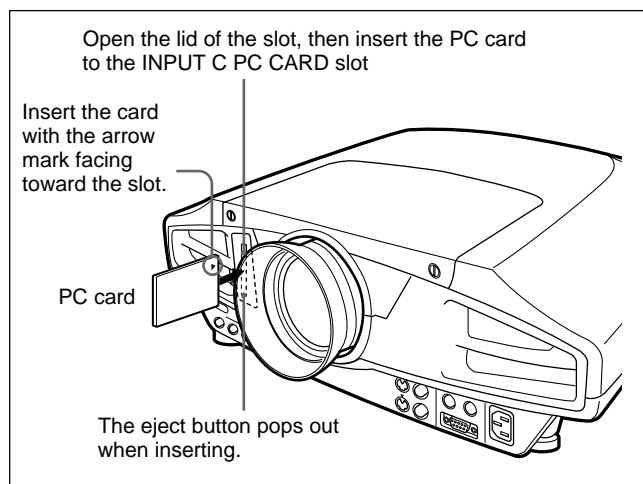
This section describes how to connect to LAN and how to install a PC card.

Whenever you connect the projector to LAN, set INPUT C FUNC. in the INSTALL SETTING menu to ON.

*For details, see page 27 (GB).*

### Installing a PC card

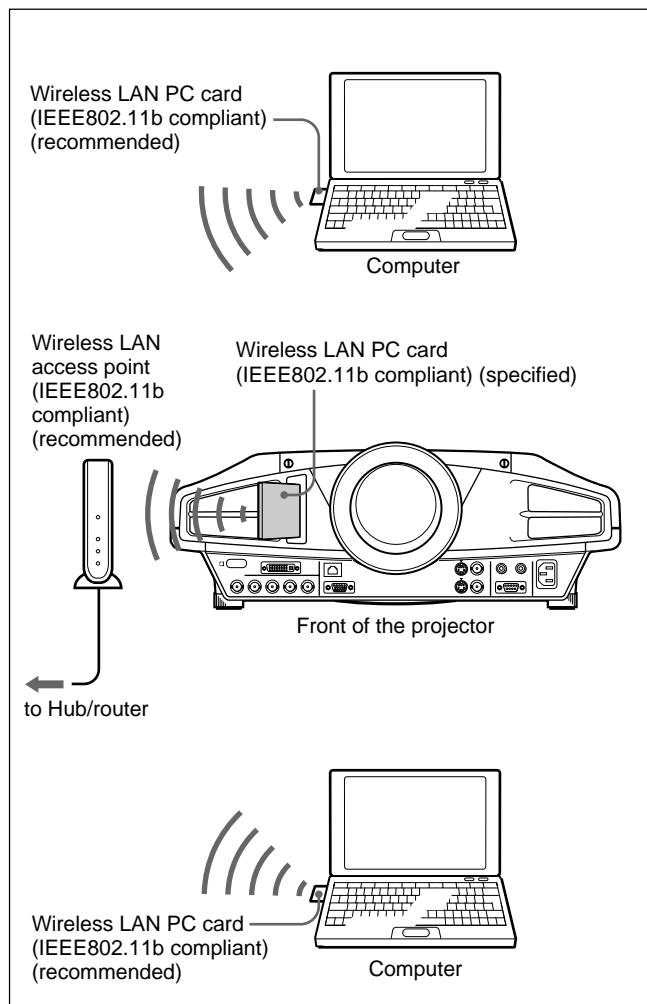
When you use a wireless LAN PC card or memory card, insert the card into the INPUT C PC CARD slot.



To remove the PC card from the slot, press the eject button.



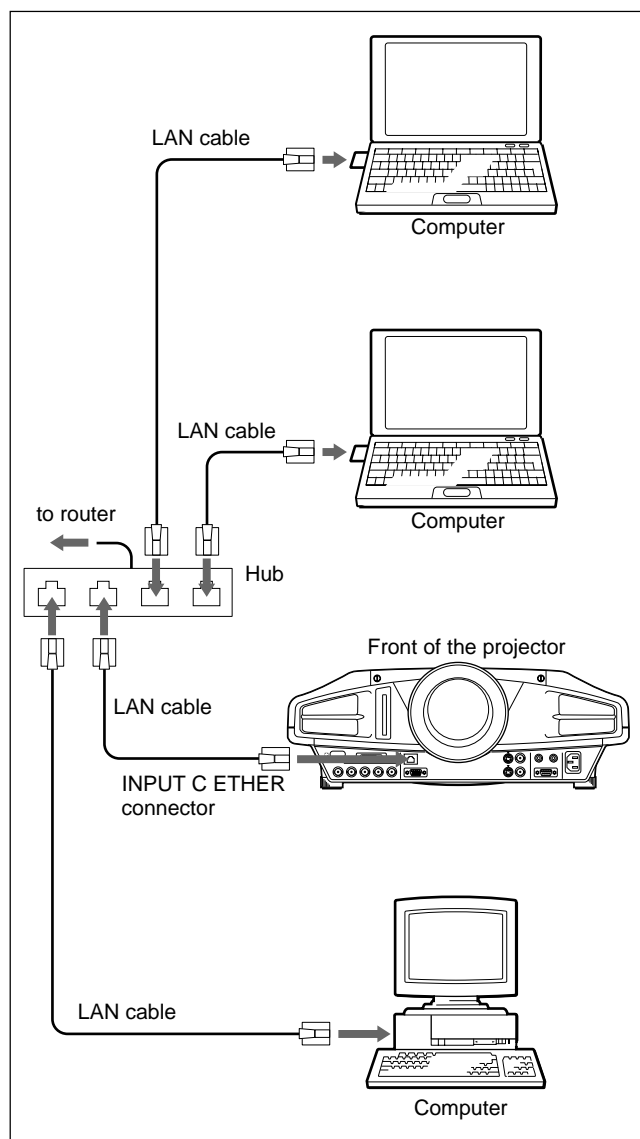
## Connection using a wireless LAN PC card



### Notes

- For details on the recommended PC card or wireless LAN access point, see the attached “Recommended PC card/wireless LAN access point.”
- When you use LAN, you must set the IP address. For details of setting IP address, etc., see the supplied “Operating Instructions for Networking.”

## Connection using the INPUT C ETHER connector



## Installing a PC memory card

If you store the file created with Microsoft PowerPoint<sup>1)</sup> in a memory card and insert it into the INPUT C PC CARD slot, you can run a presentation without connecting a computer.

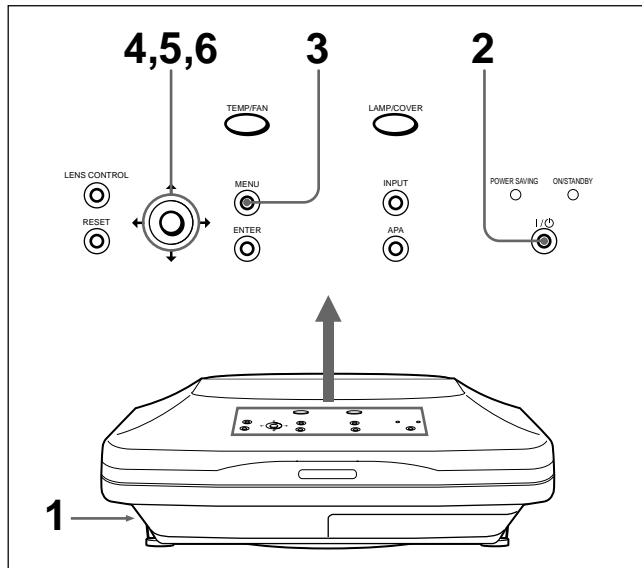
*For attaching and removing the PC memory card, see “Installing a PC card” on page 16 (GB).*

*For details on the recommended PC card, see the attached “Recommended PC card/wireless LAN access point.”*

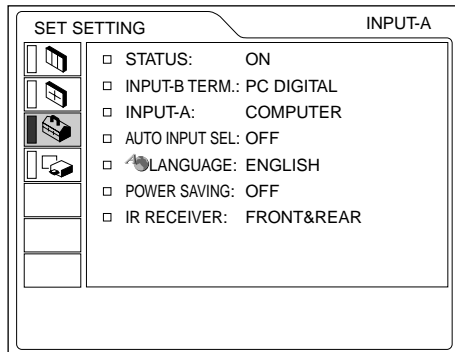
1) PowerPoint is a registered trademark of Microsoft Corporation in the United States and/or other countries.

## Selecting the Menu Language

You can select the language for displaying in the menu and other on screen displays from 7 languages. The factory setting is ENGLISH.



- 1** Plug the AC power cord into the wall outlet.
- 2** Press the I / ⏻ key to turn on the power.
- 3** Press the MENU key.  
The menu display appears.
- 4** Press the ↑ or ↓ key to select the SET SETTING menu, then press the → or ENTER key.  
The SET SETTING menu appears.

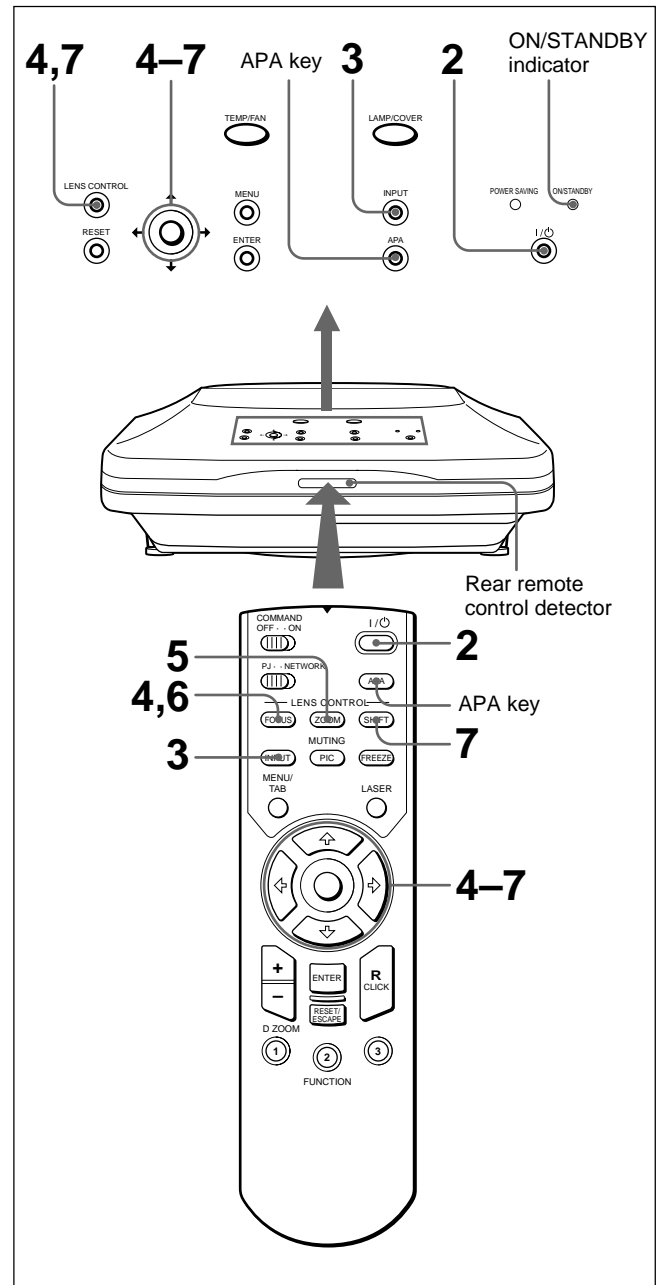


- 5** Press the ↑ or ↓ key to select LANGUAGE, then press the → or ENTER key.
- 6** Press the ↑ or ↓ key to select a language, then press the ← or ENTER key.  
The menu changes to the selected language .

### To clear the menu display

Press the MENU key. The menu display disappears automatically if no key is pressed for one minute.

## Projecting



- 1** After all equipment is connected completely, plug the AC power cord into the wall outlet.  
The ON/STANDBY indicator lights in red and the projector goes into the standby mode.
- 2** Press the I / ⏻ key to turn on the projector.  
The ON/STANDBY indicator lights in green.
- 3** Turn on equipment connected to the projector. Press the INPUT key to select the input source.

**INPUT-A:** Selects video signal input from the INPUT A connector.

**INPUT-B:** Selects video signal input from the INPUT B connector.

**INPUT-C:** Selects to display the Windows CE window.

**VIDEO:** Selects video signal input from the VIDEO (VIDEO IN) jack.

**S-VIDEO:** Selects video signal input from the S VIDEO (VIDEO IN) jack.

- 4** Press the FOCUS key then the **↑** or **↓** key on the Remote Commander to adjust the focus.

“LENS FOCUS” appears on the screen during adjustment.

- 5** Press the ZOOM key then the **↑** or **↓** key on the Remote Commander to adjust the picture size.

“LENS ZOOM” appears on the screen during adjustment.

- 6** Press the FOCUS key and arrow keys on the Remote Commander to adjust the focus again.

- 7** Press the SHIFT key then the **↑** or **↓** key on the Remote Commander to adjust the vertical position of the picture.

“LENS SHIFT” appears on the screen during adjustment.

### Note on focus and zoom adjustments

If the optional VPLL-ZM101, VPLL-ZM31 or VPLL-FM21 lens is installed, perform the focus and zoom adjustments manually.

### To use the keys on the control panel for focus, zoom and shift adjustments

Press the LENS CONTROL key repeatedly to display the adjustment mode you want. Each press changes the mode, “LENS FOCUS,” “LENS ZOOM” and “LENS SHIFT” in this order. Then press the arrow keys to adjust.

#### Note

Looking into the lens when projecting may cause injury to your eyes.

## Cut off the picture

Press the PIC MUTING key on the Remote Commander. To restore the picture, press the PIC MUTING key again.

## To get the clearest picture

You can get the suitable picture when a signal from the computer is input. Press the APA key. The picture is automatically adjusted to be projected clearest.

#### Notes

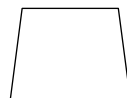
- Adjust the signal when the still picture is displayed on the screen.
- Press the APA key when the full image is displayed on the screen. If there are black edges around the image, the APA function will not function properly and the image may extend beyond the screen.
- If you switch the input signal or re-connect a computer, press the APA key again to get the suitable picture.
- “ADJUSTING” appears on the screen. To restore the original screen, press the APA key again during the adjustment.
- “Complete!” appears on the screen when the picture is adjusted properly. The picture may not be adjusted properly depending on the kinds of input signals.
- Adjust the items in the INPUT SETTING menu when you adjust the picture manually.  
*For details, see page 23 (GB).*

## To correct the trapezoid

When the projecting image is a trapezoid, perform the shift adjustment with the SHIFT key.

If the image is still a trapezoid, correct it in DIGIT KEYSTONE in the INSTALL SETTING menu.

**When the base edge is longer than the upper edge as shown in the figure below:**



Set the value to negative.

**When the upper edge is longer than the base edge as shown in the figure below:**



Set the value to positive.

*For details on “DIGIT KEYSTONE,” see page 27 (GB).*

## To turn off the power

- 1 Press the I / ⏻ key.

“Power OFF?” appears on the screen.

### Note

The message will disappear if you press any key except the I / ⏻ key, or if you do not press any key for five seconds.

- 2 Press the I / ⏻ key again.

The ON/STANDBY indicator flashes in green and the fan continues to run for about 120 seconds to reduce the internal heat. Also, the ON/STANDBY indicator flashes quickly for the first 40 seconds. During this time, you will not be able to turn the power back on with the I / ⏻ key.

- 3 Unplug the AC power cord from the wall outlet after the fan stops running and the ON/STANDBY indicator lights in red.

## When you cannot confirm the on-screen message

When you cannot confirm the on-screen message in a certain condition, you can turn off the power by holding the I / ⏻ key for about one second.

### Note

**Do not unplug the AC power cord while the fan is still running; otherwise, the fan will stop although the internal heat is still high, leading to breakdown of the projector.**

## About the air filter cleaning

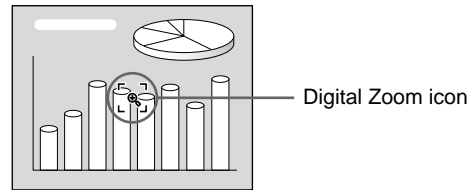
Clean the air filter every 300 hours to ensure optimal performance.

## To enlarge the image (Digital Zoom function)

You can enlarge the point on the image you select. This function works only when a signal from a computer (except for UXGA) is input.

- 1 Press the D ZOOM + key on the Remote Commander.

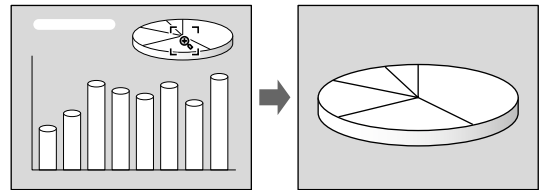
The Digital Zoom icon appears in the center of the image.



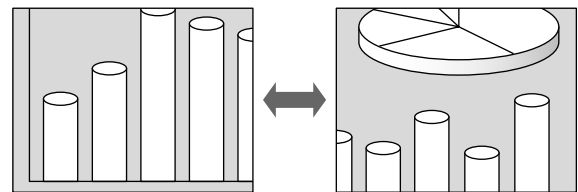
- 2 Move the icon to the point on the image you want to enlarge. Use the arrow keys (↑/↓/←/→) to move the icon.
- 3 Press the D ZOOM + key again.

The image where the icon is located is enlarged. The enlargement ratio is displayed on the screen for a few seconds.

By pressing the + key repeatedly, the image size increases. (ratio of enlargement: max. 4 times)



Use the arrow keys (↑/↓/←/→) to scroll the enlarged image.



## To return the image back to its original size

Press the D ZOOM – key. Just pressing the RESET key returns the image back to its original size immediately.

## To freeze the image projected (Freeze function)

Press the FREEZE key. “FREEZE” appears when the key is pressed. This function works only when a signal from a computer (except for UXGA) is input. To restore the original screen, press the FREEZE key again.

## To use the Laser Pointer function

Press the LASER key on the Remote Commander. The laser pointer appears. The pointer is helpful in indicating a particular point on the screen.

# Using the MENU

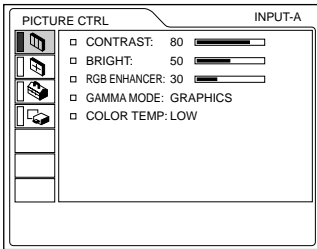
The projector is equipped with an on-screen menu for making various adjustments and settings.

## Note

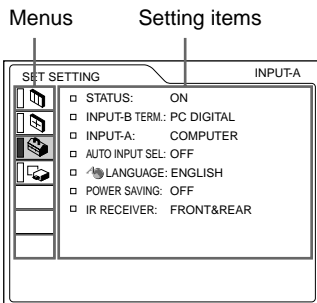
Before operation, confirm that the PJ/NETWORK select switch on the Remote Commander is set to PJ. If it is set to NETWORK, the menu display will not appear even when you press the MENU key on the Remote Commander.

To select the language used in the menu, see page 26 (GB).

- 1 Press the MENU key.  
The menu display appears.  
The menu presently selected is shown as a yellow button.



- 2 Use the **↑** or **↓** key to select a menu, then press the **→** or ENTER key.  
The selected menu appears.



- 3 Select an item.  
Use the **↑** or **↓** key to select the item, then press the **→** or ENTER key.
- 4 Make setting or adjustment on an item.  
*For details on setting individual items, see the relevant menu pages.*

## To clear the menu

Press the MENU key.

The menu display disappears automatically if no key is pressed for one minute.

## To reset items that have been adjusted

Press the RESET key.

“Complete!” appears on the screen and the settings appearing on the screen will be reset to their factory preset values.

Items that can be reset are:

- “CONTRAST”, “BRIGHT”, “COLOR”, “HUE”, “SHARP” and “RGB ENHANCER” in the PICTURE CTRL menu.
- “DOT PHASE”, “SIZE H” and “SHIFT” in the INPUT SETTING menu.
- “DIGIT KEYSTONE” in the INSTALL SETTING menu.

## About the memory of the settings

The settings are automatically stored in the projector memory.

## When no signal is input

When there is no input signal, “NO INPUT—Cannot adjust this item.” appears on the screen, and each item cannot be adjusted.

## About the menu display

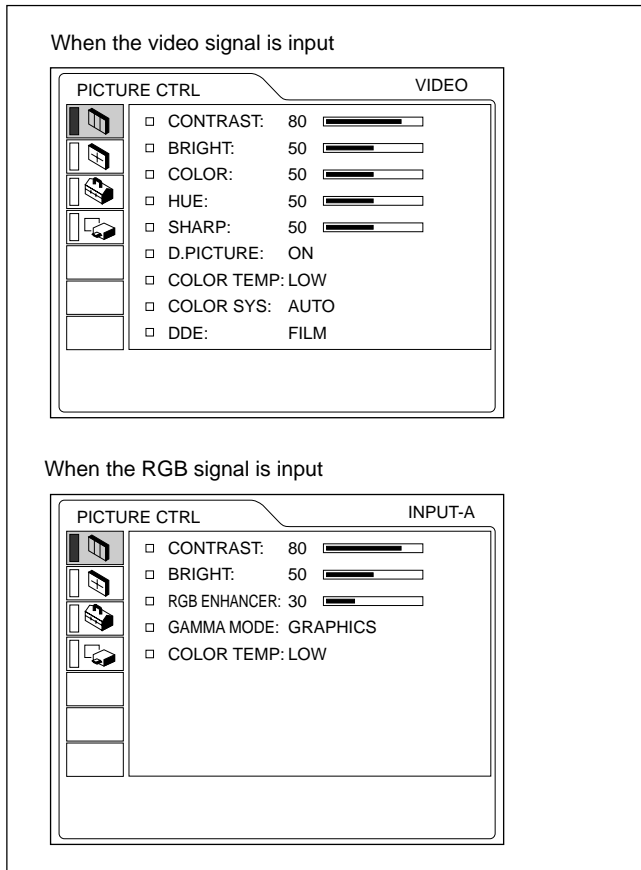
You can set the display position of the menu, intensity of the background picture and tone of the menu items as you like.

*For details, see page 27 (GB).*

# The PICTURE CTRL Menu

The PICTURE CTRL (control) menu is used for adjusting the picture.

Unadjustable items depending on the input signal are not displayed in the menu.



## Operation

### 1. Select an item

Use the **↑** or **↓** key to select the item, then press the **→** or **ENTER** key.

### 2. Adjust an item

- When changing the adjustment level:  
To increase the number, press the **↑** or **→** key.  
To decrease the number, press the **↓** or **←** key.  
Press the **ENTER** key to restore the original screen.
- When changing the setting:  
Press the **↑** or **↓** key to change the setting.  
Press the **ENTER** or **←** key to restore the original screen.

## CONTRAST

Adjusts the picture contrast.  
The higher the setting, the greater the contrast.  
The lower the setting, the lower the contrast.

## BRIGHT

Adjusts the picture brightness.  
The higher the setting, the brighter the picture.  
The lower the setting, the darker the picture.

## COLOR

Adjusts color intensity.  
The higher the setting, the greater the intensity.  
The lower the setting, the lower the intensity.

## HUE

Adjusts color tones.  
The higher the setting, the picture becomes greenish.  
The lower the setting, the picture becomes purplish.

## SHARP

Adjusts the picture sharpness.  
The higher the setting, the sharper the picture.  
The lower the setting, the softer the picture.

## RGB ENHANCER

Adjusts the picture sharpness when the RGB signals are input.  
The higher the setting, the sharper the picture.  
The lower the setting, the softer the picture.

## D. (Dynamic) PICTURE

Emphasizes the black color.  
**ON:** Emphasizes the black color to produce a bolder “dynamic” picture.  
**OFF:** Reproduces the dark portions of the picture accurately, in accordance with the source signal.

## GAMMA MODE

Selects a gamma correction curve.  
**GRAPHICS:** Improves the reproduction of half tones. Photos can be reproduced in natural tones.  
**TEXT:** Contrasts black and white. Suitable for images that contain lots of text.

## COLOR TEMP

Adjusts the color temperature.  
**HIGH:** Makes the white color bluish.  
**LOW:** Makes the white color reddish.

## COLOR SYS (System)

Selects the color system of the input signal.

**AUTO:** Automatically selects one of the following signals: NTSC<sub>3.58</sub>, PAL, SECAM, NTSC<sub>4.43</sub>.

**PAL-M/N:** Automatically selects one of the following signals: PAL-M/PAL-N, NTSC<sub>3.58</sub>.

Normally, set to AUTO.

If the picture is distorted or colorless, select the color system according to the input signal.

## DDE (Dynamic Detail Enhancer)

Selects the reproduction format of the input video signals according to the video sources.

**FILM:** Normally, set to this position. Reproduces the 2-3 Pull-Down film sources with smooth picture movement.

When the video signal with a format other than the 2-3 Pull-Down is input, PROGRESSIVE is automatically selected.

**PROGRESSIVE:** Converts an interlace format video signal to a progressive format.

**OFF:** Plays back the video signal in an interlace format without converting.

## Input signals and adjustable/setting items

Item	Input signal			
	Video or S video (Y/C)	Component	Video GBR	RGB <sup>1)</sup>
CONTRAST	●	●	●	●
BRIGHT	●	●	●	●
COLOR	● (except for B & W)	●	●	—
HUE	● (NTSC <sub>3.58</sub> / 4.43 only)	●	●	—
SHARP	●	●	●	—
RGB ENHANCER	—	—	—	●
D. PICTURE	●	● (480/60i, 575/50i)	● (480/60i, 575/50i)	—
GAMMA MODE	—	—	● (480/60i, 575/50i)	●
COLOR TEMP	●	●	●	●
COLOR SYS	●	—	—	—
DDE	●	● (480/60i, 575/50i)	● (480/60i, 575/50i)	—

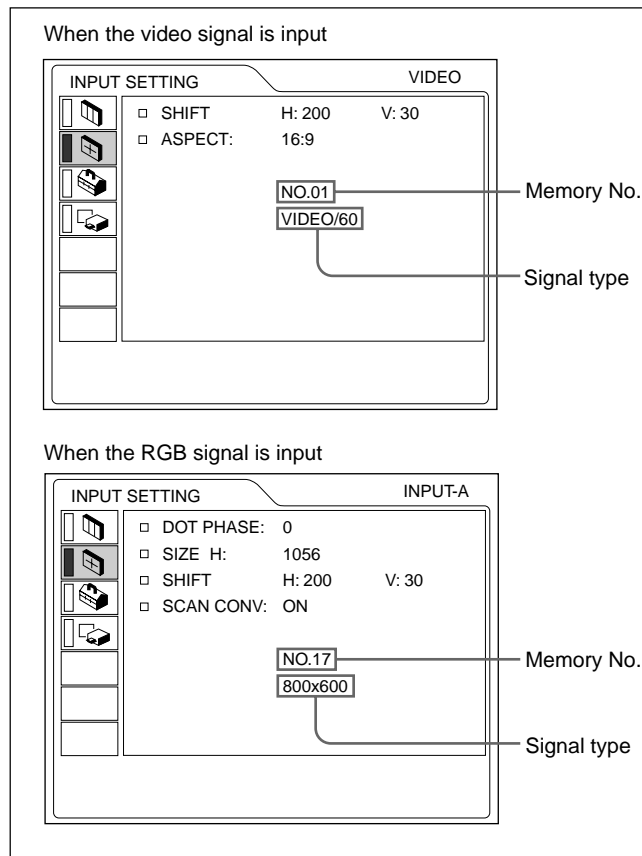
● : Adjustable/can be set

— : Not adjustable/can not be set

## The INPUT SETTING Menu

The INPUT SETTING menu is used to adjust the input signal.

Unadjustable items depending on the input signal are not displayed in the menu.



### Operation

#### 1. Select an item

Use the **↑** or **↓** key to select the item, then press the **→** or ENTER key.

#### 2. Adjust an item

- When changing the adjustment level:
  - To increase the number, press the **↑** or **→** key.
  - To decrease the number, press the **↓** or **←** key.
  - Press the ENTER key to restore the original screen.
- When changing the setting:
  - Press the **↑** or **↓** key to change the setting.
  - Press the ENTER or **←** key to restore the original screen.

### DOT PHASE

Adjusts the dot phase of the LCD panel and the signal input from the INPUT A/B (analog signal only) connector. Adjust the picture further for finer picture after the picture is adjusted with pressing the APA key. Adjust the picture to where it looks clearest.

1) The RGB signals of a computer. INPUT C is adjustable for the same items as that of the RGB (digital) signals.

## SIZE H

Adjusts the horizontal size of picture input from the INPUT A/B (analog signal only) connector.

The higher the setting, the larger the horizontal size of the picture.

The lower the setting, the smaller the horizontal size of the picture. Adjust the setting according to the dots of the input signal.

For details on the suitable value for the preset signals, see page 25 (GB).

## SHIFT

Adjusts the position of the picture input from the INPUT A/B (analog signal only) connectors or VIDEO IN jacks.

H adjusts the horizontal position of the picture.

V adjusts the vertical position of the picture.

As the setting for H increases, the picture moves to the right, and as the setting decreases, the picture moves to the left.

As the setting for V increases, the picture moves up, and as the setting decreases, the picture moves down.

Use the ← or → key to adjust the horizontal position and the ↑ or ↓ key for the vertical position.

### Note

If you adjust DIGIT KEYSTONE (page 27) and SHIFT for the UXGA input signal, the picture may not be displayed correctly.

## ASPECT

Sets the aspect ratio of the picture.

When inputting 16:9 (squeezed) signal from equipment such as a DVD player, set to 16:9.

**4:3** : When the picture with ratio 4:3 is input.

**16:9** : When the picture with ratio 16:9 (squeezed) is input.

## SCAN CONV (Scan converter)

Converts the signal to display the picture according to the screen size.

**ON**: Displays the picture according to the screen size. The picture will lose some clarity.

**OFF**: Displays the picture while matching one pixel of input picture element to that of the LCD. The picture will be clear but the picture size will be smaller.

### Note

This item is displayed only when the computer signal (except for the XGA, SXGA and UXGA signals) is input.

## Input signals and adjustable/setting items

Item	Input signal			
	Video or S video (Y/C)	Component	Video GBR	RGB <sup>1)</sup>
DOT PHASE	—	● (HDTV only)	● (HDTV only)	● (Analog only)
SIZE H	—	● (HDTV only)	● (HDTV only)	● (Analog only)
SHIFT	●	●	●	● (Analog only)
ASPECT	●	● (480/60i,575/50i,480/60p,575/50p)	● (480/60i,575/50i,480/60p,575/50p)	—
SCAN CONV	—	—	—	● (lower than SVGA only)

● : Adjustable/can be set

— : Not adjustable/can not be set

### About the preset memory No.

This projector has 44 kinds of preset data for input signals (the preset memory). The memory number of the current input signal and the signal type are displayed when the preset signal is input. This projector automatically detects the signal type. When the signal is registered to the preset memory, a suitable picture is displayed on the screen according to the signal type. You can adjust the picture through the INPUT SETTING menu.

This projector also has 20 kinds of user memories for each INPUT-A/B (analog signal only). When an unpreset signal is input for the first time, memory number is displayed as 0. If the input signal is adjusted in the INPUT SETTING menu, the setting via INPUT-A/B (analog signal only) is stored. When more than 20 user memories are registered for each INPUT-A/B (analog signal only), the newest memory is automatically stored over the oldest one.

1) The RGB signals of a computer. INPUT C is adjustable for the same items as that of the RGB (digital) signals.



## Preset signals

Memory No.	Preset signal	fH (kHz)	fV (Hz)	Sync	SIZE H
1	Video 60 Hz	15.734	59.940	H-neg V-neg	
2	Video 50 Hz	15.625	50.000	H-neg V-neg	
3	480/60i	15.734	59.940	S on G/Y or Composite sync	
4	575/50i	15.625	50.000		
5	1035/60i 1080/60i	33.750	60.000		
6*	640 × 350 VGA mode 1	31.469	70.086	H-pos V-neg	800
7*	VGA VESA <sup>1)</sup> 85 Hz	37.861	85.080	H-pos V-neg	832
8*	640 × 400 PC-9801 <sup>2)</sup> Normal	24.823	56.416	H-neg V-neg	848
9	VGA mode 2	31.469	70.086	H-neg V-pos	800
10	VGA VESA 85 Hz	37.861	85.080	H-neg V-pos	832
11*	640 × 480 VGA mode 3	31.469	59.940	H-neg V-neg	800
12*	Macintosh 13"	35.000	66.667	H-neg V-neg	864
13*	VGA VESA 72 Hz	37.861	72.809	H-neg V-neg	832
14*	VGA VESA 75 Hz	37.500	75.000	H-neg V-neg	840
15*	VGA VESA 85 Hz	43.269	85.008	H-neg V-neg	832
16*	800 × 600 SVGA VESA 56 Hz	35.156	56.250	H-pos V-pos	1024
17*	SVGA VESA 60 Hz	37.879	60.317	H-pos V-pos	1056
18*	SVGA VESA 72 Hz	48.077	72.188	H-pos V-pos	1040
19*	SVGA VESA 75 Hz	46.875	75.000	H-pos V-pos	1056
20*	SVGA VESA 85 Hz	53.674	85.061	H-pos V-pos	1048
21*	832 × 624 Macintosh 16"	49.724	74.550	H-neg V-neg	1152
22*	1024 × 768 XGA VESA 43 Hz	35.524	43.479	H-pos V-pos	1264
23*	XGA VESA 60 Hz	48.363	60.004	H-neg V-neg	1344
24*	XGA VESA 70 Hz	56.476	69.955	H-neg V-neg	1328
25*	XGA VESA 75 Hz	60.023	75.029	H-pos V-pos	1312
26*	XGA VESA 85 Hz	68.677	84.997	H-pos V-pos	1376
27*	1152 × 864 SXGA VESA 70 Hz	63.995	70.016	H-pos V-pos	1472
28*	SXGA VESA 75 Hz	67.500	75.000	H-pos V-pos	1600
29*	SXGA VESA 85 Hz	77.487	85.057	H-pos V-pos	1568
30*	1152 × 900 Sunmicro LO	61.795	65.960	H-neg V-neg	1504
31*	Sunmicro HI	71.713	76.047	Composite sync	1472
32*	1280 × 960 SXGA VESA 60 Hz	60.000	60.000	H-pos V-pos	1800
33	SXGA VESA 75 Hz	75.000	75.000	H-pos V-pos	1728
34*	1280 × 1024 SXGA VESA 43 Hz	46.433	43.436	H-pos V-pos	1696
35*	SGI-5	53.316	50.062	S on G	1680
36*	SXGA VESA 60 Hz	63.974	60.013	H-pos V-pos	1696
37	SXGA VESA 75 Hz	79.976	75.025	H-pos V-pos	1688
38	SXGA VESA 85 Hz	91.146	85.024	H-pos V-pos	1728
39	1600 × 1200 UXGA VESA 60 Hz	75.000	60.000	H-pos V-pos	2160
43	480/60P (Progressive component)	31.470	60.000		
44	575/50P (Progressive component)	31.250	50.000		
45	1080/50i	28.130	50.000		
47	720/60p	45.000	60.000		
48	720/50p	37.500	50.000		

Since the data is recalled from the preset memory about the following signals, you can use these preset data by adjusting SIZE H. Make fine adjustment by adjusting SHIFT.

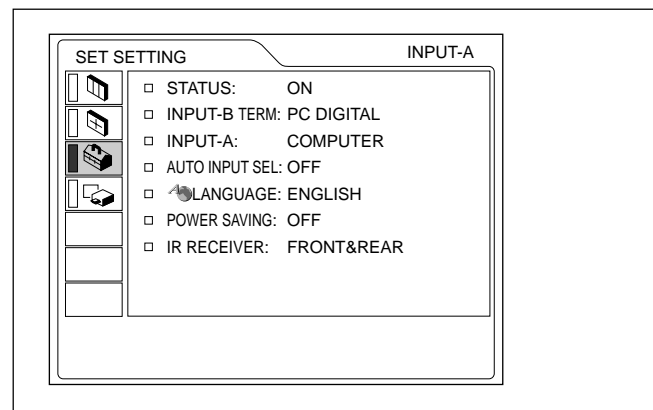
Signal	Memory No.	SIZE H
Super Mac-2	23	1312
SGI-1	23	1320
Macintosh 19"	25	1328
Macintosh 21"	27	1456
Sony News	36	1708
PC-9821 1280 × 1024	36	1600
WS Sunmicro	37	1664

### Notes

- When the aspect ratio of an input signal is other than 4:3, a part of the screen is displayed in black.
- The UXGA signal can be projected only when you set the frequency of a computer to 60 Hz.
- The digital input complies with the signals marked with asterisks on the table. When the digital signal output from a computer is a signal other than the signals marked with asterisks among the memory numbers 6 to 39, it is automatically output according to the specifications of the projector.

## The SET SETTING Menu

The SET SETTING menu is used for changing the settings of the projector.



### Operation

#### 1. Select an item

Use the **↑** or **↓** key to select the item, then press the **→** or ENTER key.

#### 2. Change the setting

Press the **↑** or **↓** key to change the setting.

To restore the original screen, press the ENTER or **←** key.

1) VESA is a registered trademark of Video Electronics Standard Association.

2) PC-98 is a registered trademark of NEC Corporation.

## STATUS (on-screen display)

Sets up the on-screen display.

**ON:** Shows all of the on-screen displays.

**OFF:** Turns off the on-screen displays except for the menus, a message when turning off the power, and warning messages.

For details on the warning messages, see page 33 (GB).

## INPUT-B TERM.

Set to PC ANALOG when the RGB signal input to the INPUT B RGB (DVI) connector is analog, and to PC DIGITAL when the input RGB signal is digital.

## INPUT-A

Selects the computer, component or video GBR (15k RGB, DTV, HDTV) signal input from the INPUT A connector.

### Note

If the setting is not correct, “Please check INPUT-A setting.” appears on the screen and the color of the picture becomes strange or the picture is not displayed.

## AUTO INPUT SEL

When set to ON, the projector detects input signals in the following order: INPUT-A/INPUT-B/INPUT-C/VIDEO/S-VIDEO. It indicates the input channel when the power is turned on or the INPUT key is pressed.

## LANGUAGE

Selects the language used in the menu and on-screen displays.

Available languages are: English, French, German, Italian, Spanish, Japanese and Chinese.

## POWER SAVING

When set to ON, the projector goes into the power saving mode if no signal is input for 10 minutes.

## IR RECEIVER

Selects the remote control detectors on the front and rear of the projector.

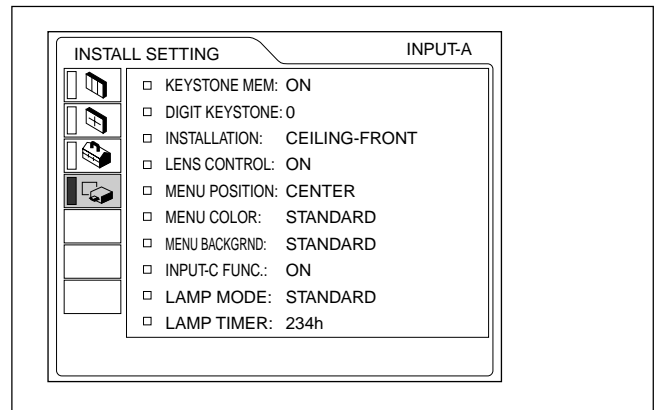
**FRONT & REAR:** Activates both the front and rear detectors.

**FRONT:** Activates the front detector only.

**REAR:** Activates the rear detector only.

# The INSTALL SETTING Menu

The INSTALL SETTING menu is used for changing the settings of the projector.



## Operation

### 1. Select an item

Use the **↑** or **↓** key to select the item, then press the **→** or ENTER key.

### 2. Adjust an item

- When changing the adjustment level:  
To increase the number, press the **↑** or **→** key.  
To decrease the number, press the **↓** or **←** key.  
Press the ENTER key to restore the original screen.
- When changing the setting:  
Press the **↑** or **↓** key to change the setting.  
Press the ENTER or **←** key to restore the original screen.

---

## KEYSTONE MEM

- ON:** DIGIT KEYSTONE setting is stored.  
The data is retrieved when the projector power is turned on. The setting will remain the same every time.
- OFF:** DIGIT KEYSTONE is reset to 0 when the power is turned on next time.

---

## DIGIT KEYSTONE

Corrects the trapezoid caused by the projection angle. If the base edge is longer, set a negative value; if the upper edge is longer, set a positive value to square the image.

### Note

If you adjust SHIFT (page 24) and DIGIT KEYSTONE for the UXGA input signal, the picture may not be displayed correctly.

---

## INSTALLATION

Sets to reverse the picture horizontally or vertically.

- FLOOR-FRONT:** The picture is not reversed.
- CEILING-FRONT:** The picture is reversed horizontally and vertically.
- FLOOR-REAR:** The picture is reversed horizontally.
- CEILING-REAR:** The picture is reversed vertically.

### Note

In case of using a mirror, be careful of installation since the picture may be reversed.

---

## LENS CONTROL

When set to OFF, the LENS CONTROL FOCUS, ZOOM and SHIFT keys do not function.

---

## MENU POSITION

Selects the display position of the menu from TOP LEFT, BOTTOM LEFT, CENTER, TOP RIGHT and BOTTOM RIGHT.

---

## MENU COLOR

Selects the tone of the menu display from STANDARD, WARM, COOL, GREEN or GRAY.

---

## MENU BACKGRND

Selects the intensity of the background picture of the menu display from DARK, STANDARD or LIGHT.

---

## INPUT-C FUNC.

Set to ON when using the Windows CE function.

### Note

Be sure to exit every application software that is open before you switch the setting ON to OFF. Otherwise, system down may occur and you may not restart the projector.

---

## LAMP MODE

Sets the lamp brightness in the projection.

**STANDARD:** Illuminates with normal brightness.

**LOW:** Reduces fan noise and power consumption.

Compared with the STANDARD setting, the brightness of an image projecting under the LOW setting will be low.

If the LAMP MODE is set to LOW, the next time the power is turned on, the lamp will use the STANDARD setting for the first 3 minutes, and then go to LOW.

---

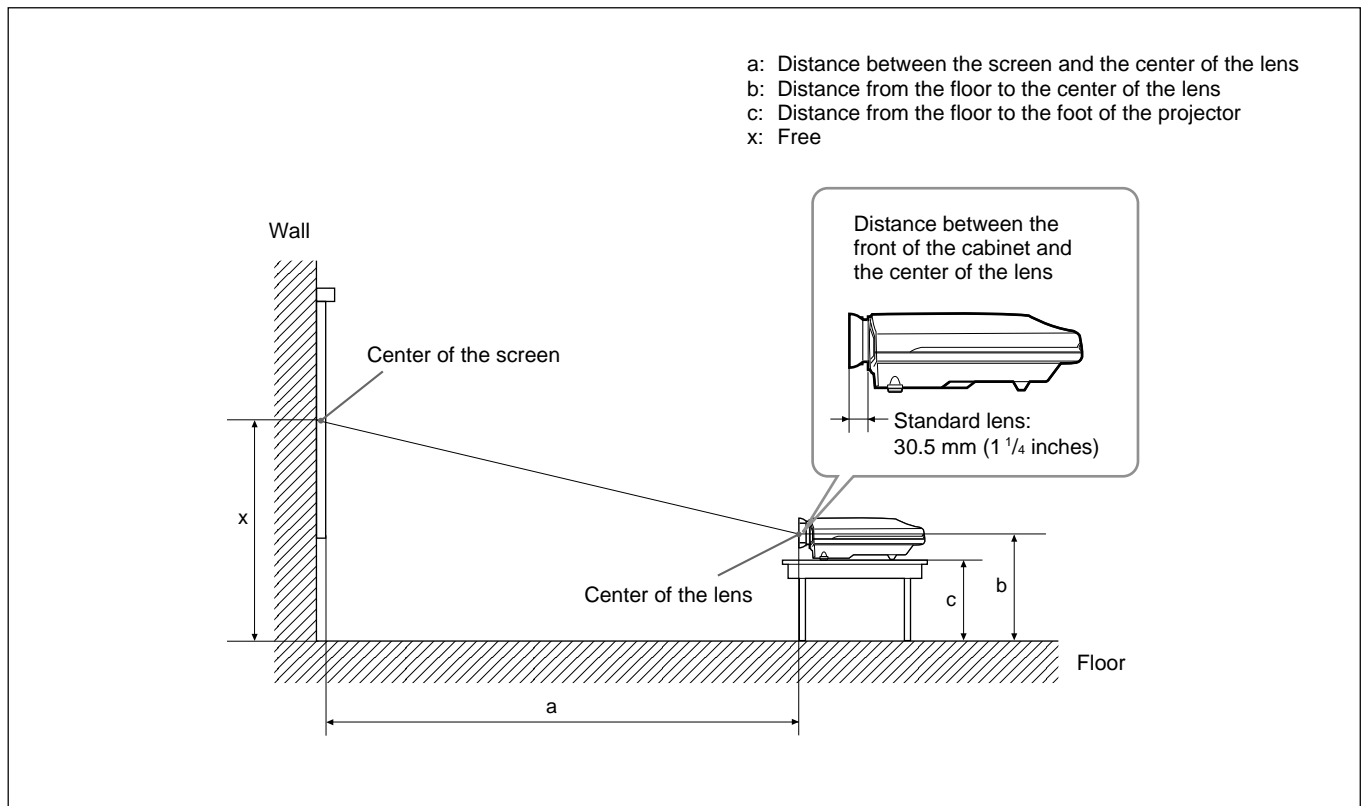
## LAMP TIMER

Indicates how long the lamp has been turned on.

### Note

This only displays the time. You cannot alter the display.

# Installation Example



Unit: mm (inches)

Screen size (inches)		40	60	80	100	120	150	180	200	250	300
a	Minimum	1490 (58 3/4)	2280 (89 7/8)	3060 (120 1/2)	3850 (151 5/8)	4630 (182 3/8)	5810 (228 7/8)	6980 (274 7/8)	7770 (306)	9730 (383 1/8)	11690 (460 3/8)
	Maximum	1820 (71 3/4)	2780 (109 1/2)	3740 (147 3/8)	4700 (185 1/8)	5660 (222 7/8)	7100 (279 5/8)	8540 (336 3/8)	9500 (374 1/8)	11900 (468 5/8)	14300 (563 1/8)
b	Minimum	x-305 (x-12 1/8)	x-457 (x-18)	x-610 (x-24 1/8)	x-762 (x-30)	x-914 (x-36)	x-1143 (x-45)	x-1372 (x-54 1/8)	x-1524 (x-60)	x-1905 (x-75 1/8)	x-2286 (x-90 1/8)
	Maximum	x									
c	Minimum	x-415 (x-16 3/8)	x-567 (x-22 3/8)	x-720 (x-28 3/8)	x-872 (x-34 3/8)	x-1024 (x-40 3/8)	x-1253 (x-49 3/8)	x-1482 (x-58 3/8)	x-1634 (x-64 3/8)	x-2015 (x-79 11/32)	x-2396 (x-94 3/8)
	Maximum	x-100 (x-4)									

## To calculate the installation measurement (unit: mm)

SS: screen size diagonal (inches)

$$a \text{ (minimum)} = \{(SS \times 50.127/1.3102) - 73.9\} \times 1.025$$

$$a \text{ (maximum)} = \{(SS \times 64.519/1.3102) - 107.9\} \times 0.975$$

$$b \text{ (minimum)} = x - (SS/1.3102 \times 9.984)$$

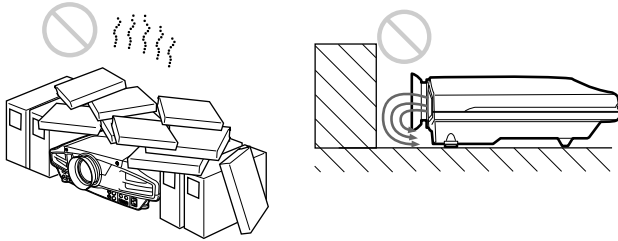
$$c \text{ (minimum)} = x - (SS/1.3102 \times 9.984 + 110)$$

# Notes for Installation

## Unsuitable Installation

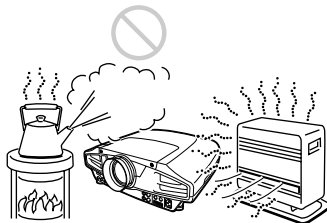
Do not install the projector in the following situations. These installations may cause malfunction or damage to the projector.

### Poorly ventilated



- Allow adequate air circulation to prevent internal heat build-up. Do not place the unit on surfaces (rugs, blankets, etc.) or near materials (curtains, draperies) that may block the ventilation holes. When the internal heat builds up due to the block-up, the temperature sensor will function with the message “High temp.! Lamp off in 1 min.” The power will be turned off automatically after one minute.
- Leave space of more than 50 cm (19 3/4 inches) around the unit.
- Be careful that the ventilation holes may inhale tininess such as a piece of paper.
- If you put something in front of the front ventilation holes, the exhaust may be inhaled into the projector through the ventilation holes at the bottom, causing the internal temperature to rise, which activates the protection circuit. Install the projector so that the exhaust is not blocked.

### Highly heated and humid



- Avoid installing the unit in a location where the temperature or humidity is very high, or temperature is very low.
- To avoid moisture condensation, do not install the unit in a location where the temperature may rise rapidly.

### Very dusty

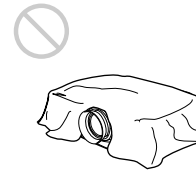


Avoid installing the unit in a location where there is a lot of dust; otherwise, the air filter will be obstructed. The dust blocking the air through the filter may cause raising the internal heat of the projector. Clean it up periodically.

## Unsuitable Conditions for Use

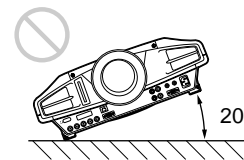
Do not do any of the following.

### Blocking the ventilation holes



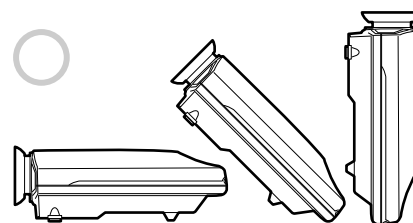
Avoid using something to cover over the ventilation holes; otherwise, the internal heat may build up.

### Tilting right/left



Avoid using as the unit tilts more than 20 degrees. Do not install the unit other than on the floor or ceiling. These installations may cause malfunction.

The front to back tilt angle of this projector is not limited.



# Maintenance

## Notes

- If the lamp breaks, consult with qualified Sony personnel.
- Pull out the lamp unit by holding the handle. If you touch the lamp unit, you may be burned or injured.
- When removing the lamp unit, make sure it remains horizontal, then pull straight up. Do not tilt the lamp unit. If you pull out the lamp unit while tilted and if the lamp breaks, the pieces may scatter, causing injury.

## Replacing the Lamp

When the lamp has burnt out or dims, or “Please replace the lamp” appears on the screen, replace the lamp with a new one. The message appears after 1000 hours for the STANDARD setting, or about 1500 hours for the LOW setting in the LAMP MODE. Use LMP-F250 Projector Lamp as the replacement lamp.

The lamp life varies depending on conditions of use.

### When replacing the lamp after using the projector

Turn off the projector, then unplug the power cord. Wait for at least an hour for the lamp to cool.

## Note

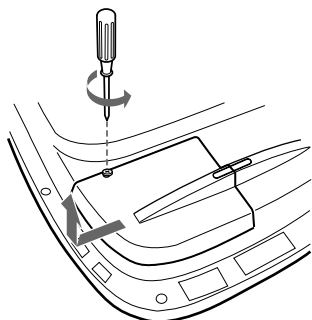
The lamp becomes a high temperature after turning off the projector with the I / ⏻ key. If you touch the lamp, you may scald your finger. When you replace the lamp, wait for at least an hour for the lamp to cool.

- 1 Place a protective sheet (cloth) beneath the projector and put the projector face down.

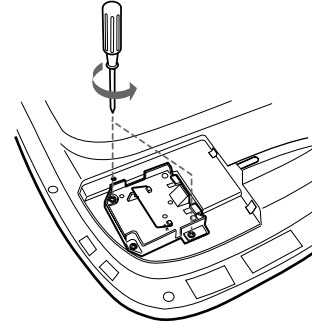
## Note

When replacing the lamp, be sure it is on a flat and stable surface.

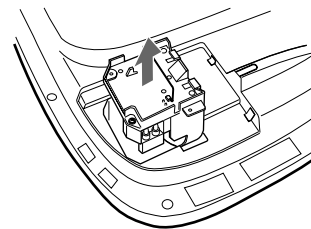
- 2 Slide to open the lamp cover by loosening one screw with the Phillips screwdriver.



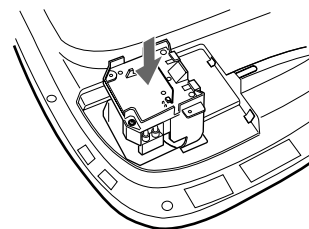
- 3 Loosen two screws on the lamp unit with the Phillips screwdriver.



- 4 While holding the handle and keeping the lamp unit horizontal, pull straight up.



- 5 Insert the new lamp all the way in until it is securely in place. Tighten the two screws. Fold down the handle.



## Notes

- Be careful not to touch the glass surface of the lamp.
- The power will not turn on if the lamp is not secured properly.

- 6 Close the lamp cover and tighten the screw.
- 7 Turn the projector back over.
- 8 Connect the power cord and turn the projector to the standby mode.
- 9 Press the following keys on the control panel in the following order for less than five seconds each: RESET, ←, →, ENTER.

**Notes**

- Be sure to use the LMP-F250 Projector Lamp for replacement. If you use lamps other than LMP-F250, the projector may cause a malfunction.
- Be sure to turn off the projector and unplug the power cord before replacing the lamp.
- Do not put your hands into the lamp replacement spot, or not fall any liquid or object into it to avoid electrical shock or fire.

**Disposal of used projector lamp**

As the materials used in this lamp are similar to those of a fluorescent lamp, you should dispose of a used projector lamp in the same way as a fluorescent lamp.

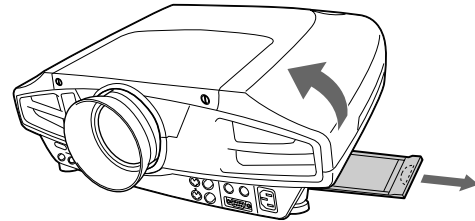
**Cleaning the Air Filter**

**The air filter should be cleaned every 300 hours.**

When it becomes difficult to remove the dust from the filter, replace the filter with a new one.

To clean the air filter, follow the steps below:

- 1** Turn off the power and unplug the power cord.
- 2** Raise the side of the projector, and pull out the air filter.



- 3** Remove the dust from the filter with a vacuum cleaner.
- 4** Insert the air filter all the way in until it is securely in place.

**Notes**

- If you neglect the air filter, dust may accumulate, clogging it. As a result, the temperature may rise inside the unit, leading to a possible malfunction or fire.
- Be sure to insert the air filter firmly; the power will not be turned on if it is not closed securely.

# Troubleshooting

If the projector appears to be operating erratically, try to diagnose and correct the problem, using the following guide. If the problem still persists, consult with qualified Sony personnel.

## Power

Symptom	Cause	Remedy
The power is not turned on.	The power has been turned off and on with the I / ⏻ key at a short interval.	Wait for about 120 seconds before turning on the power (see page 20 (GB)).
	The lamp cover is detached.	Close the lamp cover securely (see page 30 (GB)).
	The air filter is not inserted securely.	Insert the air filter securely (see page 31 (GB)).

## Image

Symptom	Cause	Remedy
No picture.	Cable is disconnected or not connected properly.	Check that the proper connections have been made (see pages 15 (GB) to 17 (GB)).
	Input selection is incorrect.	Select the input source correctly using the INPUT key (see page 18 (GB)).
	The picture is cut off.	Press the PIC MUTING key to release the muting function (see page 19 (GB)).
	The computer signal is not set to output to external monitor.	Set the computer signal to output to external monitor (see page 15 (GB)).
	The computer signal is set to output to both the LCD of the computer and external monitor.	Set the computer signal to output only to external monitor (see page 15 (GB)).
The picture is noisy.	Noise may appear on the background depending on the combination of the numbers of dot input from the connector and numbers of pixel on the LCD panel.	Change the desktop pattern on the connected computer.
On-screen display does not appear.	STATUS in the SET SETTING menu has been set to OFF.	Set STATUS in the SET SETTING menu to ON (see page 26 (GB)).
The picture from INPUT B connector is not projected.	Setting for INPUT-B TERM. in the SET SETTING menu is incorrect.	Set INPUT-B TERM. in the SET SETTING menu correctly according to the input signal (see page 26 (GB)).
The digital picture from INPUT B connector is not projected.	The connecting procedures are wrong.	Make connections using the proper procedures (see page 15 (GB)).
The picture from INPUT C is frozen.	There is something wrong with the network.	Set INPUT C FUNC. in the INSTALL SETTING menu to OFF, then set it to ON again (see page 27 (GB)).
Color balance of the video picture is not correct.	The color system of the input signal is not set correctly.	Set COLOR SYS in the PICTURE CTRL menu to match the color system of the input signal (see page 23 (GB)).



## Others

Symptom	Cause	Remedy
The LAMP/COVER indicator flashes.	The lamp cover is detached or the air filter is not inserted securely.	Attach the lamp cover or insert the air filter securely (see pages 30 (GB) and 31 (GB)).
The LAMP/COVER indicator lights up.	The lamp has reached the end of its life.	Replace the lamp (see page 30 (GB)).
	The lamp becomes a high temperature.	Wait for 120 seconds to cool down the lamp and turn on the power again (see page 20 (GB)).
The TEMP/FAN indicator flashes.	The fan is broken.	Consult with qualified Sony personnel.
The TEMP/FAN indicator lights up.	The internal temperature is unusually high.	Check to see if nothing is blocking the ventilation holes.
Both LAMP/COVER and TEMP/FAN indicators light up.	The electric system failed.	Consult with qualified Sony personnel.
The INPUT C window does not appear, or INPUT C cannot be selected.	INPUT C FUNC. is set to OFF.	Set INPUT C FUNC. in the INSTALL SETTING menu to ON (see page 27 (GB)).
The menu display does not appear even when you press the MENU key on the Remote Commander.	The PJ/NETWORK select switch on the Remote Commander is set to NETWORK.	Set the PJ/NETWORK select switch to PJ, then press the MENU key.

## Warning messages

Use the list below to check the meaning of the messages displayed on the screen.

Message	Meaning	Remedy
High temp.! Lamp off in 1 min.	Internal temperature is too high.	Turn off the power. Check to see if nothing is blocking the ventilation holes.
Frequency is out of range!	This input signal cannot be projected as the frequency is out of the acceptable range of the projector.	Input a signal that is within the range of the frequency.
	The resolution setting of the output signal of a computer is too high.	Set the setting of output to the XGA (see page 15 (GB)).
Please check INPUT-A setting.	You have input RGB signal from the computer when INPUT-A in the SET SETTING menu is set to COMPONENT or VIDEO GBR.	Set INPUT-A correctly (see page 26 (GB)).
Please replace the LAMP.	It is time to replace the lamp.	Please replace the lamp.
Backup Battery Very Low	A backup battery for the network is exhausted.	Consult with qualified Sony personnel.

## Caution messages

Use the list below to check the meaning of the messages displayed on the screen.

Message	Meaning	Remedy
NO INPUT	No input signal	Check connections (see pages 15 (GB) to 17 (GB)).
Not applicable!	You have pressed the wrong key.	Press the appropriate key.
LENS CONTROL is locked! Do you wish to unlock?	LENS CONTROL in the INSTALL SETTING menu is set to OFF.	Select YES, or set LENS CONTROL in the INSTALL SETTING menu to ON, according to your requirement.

# Specifications

## Optical characteristics

Projection system	3 LCD panels, 1 lens, projection system
LCD panel	1.3-inch TFT SONY LCD panel with micro-lens array, 2,359,296 pixels (1024 × 768 pixels × 3)
Lens	Approx. 1.3 times power zoom/ focus lens f 50.8 to 64.0 mm/F 1.7 to 2.0
Lamp	250 W UHP
Projection picture size	Range: 40 to 300 inches (diagonal measure)
Light output	ANSI lumen <sup>1)</sup> 3500 lm
Throwing distance	40-inch: 1490 to 1820 mm (58 <sup>3</sup> / <sub>4</sub> to 71 <sup>3</sup> / <sub>4</sub> inches) 60-inch: 2280 to 2780 mm (89 <sup>7</sup> / <sub>8</sub> to 109 <sup>1</sup> / <sub>2</sub> inches) 80-inch: 3060 to 3740 mm (120 <sup>1</sup> / <sub>2</sub> to 147 <sup>3</sup> / <sub>8</sub> inches) 100-inch: 3850 to 4700 mm (151 <sup>5</sup> / <sub>8</sub> to 185 <sup>1</sup> / <sub>8</sub> inches) 120-inch: 4630 to 5660 mm (182 <sup>3</sup> / <sub>8</sub> to 222 <sup>7</sup> / <sub>8</sub> inches) 150-inch: 5810 to 7100 mm (228 <sup>7</sup> / <sub>8</sub> to 279 <sup>5</sup> / <sub>8</sub> inches) 180-inch: 6990 to 8540 mm (275 <sup>1</sup> / <sub>4</sub> to 336 <sup>3</sup> / <sub>8</sub> inches) 200-inch: 7770 to 9500 mm (306 to 374 <sup>1</sup> / <sub>8</sub> inches) 250-inch: 9740 to 11900 mm (383 <sup>5</sup> / <sub>8</sub> to 468 <sup>5</sup> / <sub>8</sub> inches) 300-inch: 11700 to 14300 mm (460 <sup>3</sup> / <sub>4</sub> to 563 <sup>1</sup> / <sub>8</sub> inches)

## Electrical characteristics

Color system	NTSC <sub>3.58</sub> /PAL/SECAM/NTSC <sub>4.43</sub> /PAL-M/PAL-N system, switched automatically/manually
Resolution	750 horizontal TV lines (Video input) 1024 × 768 pixels (RGB input)
Acceptable computer signals	fH: 15 to 91 kHz fV: 43 to 85 Hz

## Input/Output

VIDEO IN	VIDEO: BNC type Composite video: 1 Vp-p ±2 dB sync negative (75 ohms terminated) S VIDEO: Y/C mini DIN 4-pin type (male) Y (luminance): 1 Vp-p ±2 dB sync negative (75 ohms terminated) C (chrominance): burst 0.286 Vp-p ±2 dB (NTSC) (75 ohms terminated), burst 0.3 Vp-p ±2 dB (PAL) (75 ohms terminated)
VIDEO OUT	VIDEO: Loop-through BNC type Loop-through output from the VIDEO IN connector S VIDEO: Loop-through mini DIN 4-pin type (male) Loop-through output from the S VIDEO IN connector
INPUT A	Analog RGB/component: 5BNC (female) R/R-Y: 0.7 Vp-p ±2 dB (75 ohms terminated) G: 0.7 Vp-p ±2 dB (75 ohms terminated) G with sync/Y: 1 Vp-p ±2 dB sync negative (75 ohms terminated) B/B-Y: 0.7 Vp-p ±2 dB (75 ohms terminated) SYNC/HD: Composite sync input: 1-5 Vp-p high impedance, positive/negative Horizontal sync input: 1-5 Vp-p high impedance, positive/negative VD: Vertical sync input: 1-5 Vp-p high impedance, positive/negative
INPUT B	Digital/Analog RGB: DVI-I (TMDS)
INPUT C	ETHER 10BASE-T/100BASE-TX standard PC CARD slot PC card slot Type II

1) ANSI lumen is a measuring method of American National Standard IT 7.228.

MONITOR OUT	HD D-sub 15-pin (female) R/R-Y, G/Y, B/B-Y: Gain Unity, 75ohms SYNC/HD, VD: 4Vp-p (open), 1Vp-p (75ohms)
RS-232C	D-sub 9-pin (female)
CONTROL S IN/PLUG IN POWER	Stereo minijack 5Vp-p, plug in power, DC5V
TRIG	Minijack Power on: DC 12 V, output impedance: 4.7 kilohms Power off: 0 V
Safety regulations	UL, cUL DHHS DNHW FCC Class A IC Class A NEMKO CE (LVD, EMC) C-Tick

---

### Laser beam

Laser type	Class 2
Wavelength	645 nm
Output	1 mW

---

### General

Dimensions	480 × 167 × 502 mm (19 × 6 1/2 × 19 7/8 inches) (w/h/d)
Mass	Approx. 10.5 kg (23 lb 2 oz)
Power requirements	AC 100 to 240 V, 50/60 Hz
Power consumption	Max. 360 W Standby mode: 5 W (when INPUT-C FUNC. is set to ON: 10 W) 3.6–1.5A
Heat dissipation	1228.6 BTU
Operating temperature	0°C to 40°C (32°F to 104°F)
Operating humidity	35% to 85% (no condensation)
Storage temperature	–20°C to 60°C (–4°F to 140°F)
Storage humidity	10% to 90%

### Supplied accessories

Remote Commander RM-PJM50	(1)
Size AA (R6) batteries	(2)
Lens Cap	(1)
AC power cord	(1)
Operating Instructions	(1)
Operating Instructions for Networking	(1)
Installation Manual for Dealers	(1)
Warranty Booklet	(1)

Design and specifications are subject to change without notice.

---

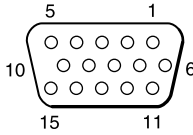
### Optional accessories

Projector Lamp LMP-F250 (for replacement)	
Projector Suspension Support PSS-620	
Monitor Cable	
SMF-400 (HD D-sub 15-pin (male) ↔ 5 × BNC (male))	
Signal Interface Cable	
SIC-10 (5 × BNC (male) ↔ 5 × BNC (male))	
Projection Lens	
Long Focus Zoom Lens VPLL-ZM101	
Short Focus Zoom Lens VPLL-ZM31	
Fixed Short Focus Lens VPLL-FM21	

*Some of the items may not be available in some areas. For details, please consult your nearest Sony office.*

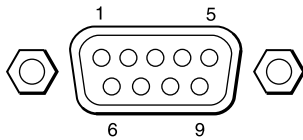
## Pin assignment

### MONITOR OUT connector (HD D-sub 15-pin, female)



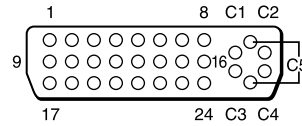
1	R	9	NC
2	G	10	GND
3	B	11	GND
4	NC	12	NC
5	GND	13	HD/C.Sync
6	GND (R)	14	VD
7	GND (G)	15	NC
8	GND (B)		

### RS-232C connector (D-sub 9-pin, female)



1	DCD	6	DSR
2	RX DA	7	RTS
3	TX DA	8	CTS
4	DTR	9	RI
5	GND		

### DVI input connector (DVI-I, female)



1	T.M.D.S. Data2-	16	Hot Plug Detect
2	T.M.D.S. Data2+	17	T.M.D.S. Data0-
3	T.M.D.S. Data2/4 Shield	18	T.M.D.S. Data0+
4	T.M.D.S. Data4-	19	T.M.D.S. Data0/5 Shield
5	T.M.D.S. Data4+	20	T.M.D.S. Data5-
6	DDC Clock	21	T.M.D.S. Data5+
7	DDC Data	22	T.M.D.S. Clock Shield
8	Analog Vertical Sync	23	T.M.D.S. Clock+
9	T.M.D.S. Data1-	24	T.M.D.S. Clock-
10	T.M.D.S. Data1+	C1	Analog Red
11	T.M.D.S. Data1/3 Shield	C2	Analog Green
12	T.M.D.S. Data3-	C3	Analog Blue
13	T.M.D.S. Data3+	C4	Analog Horizontal Sync
14	+5V Power	C5	Analog Ground (analog R, G & B return)
15	Ground (return for +5V, HSync, and VSync)		

---

# Index

---

**A**

Adjuster 10 (GB)  
 Adjusting  
   memory of the settings 21 (GB)  
   the picture 22 (GB)  
   the picture size/shift 24 (GB)  
 Air filter 31 (GB)  
 APA function 19 (GB)  
 ASPECT 24 (GB)  
 AUTO INPUT SEL 26 (GB)

**B**

5BNC input connectors 12 (GB), 15 (GB)  
 Battery  
   installation 14 (GB)  
   notes 14 (GB)  
 BRIGHT 22 (GB)

**C**

COLOR 22 (GB)  
 COLOR SYS (System) 23 (GB)  
 COLOR TEMP 22 (GB)  
 Condensation 29 (GB)  
 Connections  
   component equipment 16 (GB)  
   computer 15 (GB)  
   LAN 16 (GB)  
   VCR 15 (GB)  
 CONTRAST 22 (GB)  
 Cut off  
   the picture 19 (GB)

**D, E, F**

DDE (Digital Detail Enhancer) 23 (GB)  
 DIGIT KEYSTONE 27 (GB)  
 D. (Dynamic) PICTURE 22 (GB)  
 DOT PHASE 23 (GB)  
 DVI connector 15 (GB)  
   pin assignment 36 (GB)  
 Freeze function 20 (GB)

**G**

GAMMA MODE 22 (GB)

**H**

HUE 22 (GB)

**I, J, K**

INPUT-A 26 (GB)  
 INPUT-B TERM. 26 (GB)  
 INPUT-C FUNC. 27 (GB)  
 INPUT SETTING menu 23 (GB)  
 INSTALL SETTING menu 26 (GB)  
 INSTALLATION 27 (GB)  
 Installation example 28 (GB)  
 IR RECEIVER 26 (GB)  
 KEYSTONE MEM 27 (GB)

**L**

LAMP MODE 27 (GB)  
 Lamp replacement 30 (GB)  
 LAMP TIMER 27 (GB)  
 LANGUAGE 26 (GB)  
 LENS CONTROL 27 (GB)  
 LENS FOCUS 10, 19 (GB)  
 LENS SHIFT 10, 19 (GB)  
 LENS ZOOM 10, 19 (GB)  
 Location and function of controls  
   connector panel 12 (GB)  
   control panel 10 (GB)  
   front 9 (GB)  
   rear/bottom 9 (GB)  
   Remote Commander 13 (GB)

**M, N**

Menu  
   clearing the menu display 21 (GB)  
   INPUT SETTING menu 23 (GB)  
   INSTALL SETTING menu 26 (GB)  
   PICTURE CTRL menu 22 (GB)  
   SET SETTING menu 25 (GB)  
   using the menu 21 (GB)  
 MENU BACKGRND 27 (GB)  
 MENU COLOR 27 (GB)  
 MENU POSITION 27 (GB)  
 Messages  
   cautions 33 (GB)  
   warnings 33 (GB)  
 Notes for installation 29 (GB)  
   unsuitable conditions for use 29 (GB)  
   unsuitable installation 29 (GB)

**O**

Optional accessories 35 (GB)

**P, Q**

PICTURE CTRL menu 22 (GB)  
 Pin assignment 36 (GB)  
 Power  
   turn off 20 (GB)  
   turn on 18 (GB)  
 POWER SAVING 11 (GB), 26 (GB)  
 Precautions 7 (GB)  
 Projecting 18 (GB)

**R**

Remote Commander  
   battery installation 14 (GB)  
   D ZOOM key 20 (GB)  
   FUNCTION key 13 (GB)  
   laser pointer function 20 (GB)  
   location and function of controls  
     13 (GB)  
 Remote control detector  
   front 9 (GB)  
   rear 9 (GB)  
   setting 26 (GB)  
 Reset  
   resettable items 21 (GB)  
   resetting the item 21 (GB)  
 RGB ENHANCER 22 (GB)  
 RS-232C connector 12 (GB)  
   pin assignment 36 (GB)

**S**

SCAN CONV (Scan converter) 24 (GB)  
 Screen size 14 (GB), 34 (GB)  
 SET SETTING menu 25 (GB)  
 SHARP 22 (GB)  
 SHIFT 24 (GB)  
 SIZE H 24 (GB)  
 Specifications 34 (GB)  
 STATUS (on-screen display) 26 (GB)  
 Supplied accessories 35 (GB)

**T, U**

Troubleshooting 32 (GB)

**V, W, X, Y, Z**

Ventilation holes  
   exhaust 9 (GB)  
   intake 9 (GB)

# AVERTISSEMENT

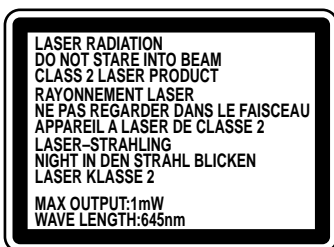
Pour éviter tout risque d'incendie ou d'électrocution, ne pas exposer cet appareil à la pluie ou à l'humidité.

Pour prévenir tout risque d'électrocution, ne pas ouvrir le boîtier. Confier l'entretien de cet appareil exclusivement à un personnel qualifié.

## Pour les utilisateurs au Canada

Cet appareil numérique de la classe A est conforme à la norme NMB-003 du Canada.

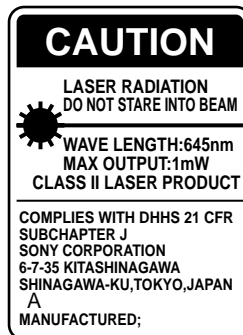
La prise doit être près de l'appareil et facile d'accès.



Cette étiquette est apposée au dos de la télécommande.



Cette étiquette est apposée sur le côté de la télécommande.

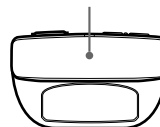


Cette étiquette est apposée au dos de la télécommande.



Cette étiquette est apposée au dos de la télécommande.

Le rayon laser est émis par cette fenêtre.



## Attention

L'utilisation de commandes ou de réglages, ou l'exécution de procédures autres que celles spécifiées peut entraîner une exposition dangereuse à des radiations.

## Remarques

- N'orientez pas le laser en direction de personnes et ne regardez pas dans l'émetteur laser.
- En cas de problème avec la télécommande, adressez-vous à un personnel Sony qualifié. Nous remplaçons la télécommande par une neuve conformément aux termes de la garantie.

## Avertissement sur la connexion électrique

Utilisez un cordon d'alimentation approprié à votre tension secteur locale.

	Etats-Unis, Canada		Europe continentale		Royaume-Uni, Irlande, Australie, Nouvelle-Zélande	Japon
Type de fiche	VM0233	290B	YP-12A	COX-07	— <sup>1)</sup>	YP332
Extrémité femelle	VM0089	386A	YC-13B	COX-02	VM0310B	YC-13
Type de cordon	SJT	SJT	H05VV-F	H05VV-F	N13237/CO-228	VCTF
Tension et courant nominaux	10A/125V	10A/125V	10A/250V	10A/250V	10A/250V	7A/125V
Agréation de sécurité	UL/CSA	UL/CSA	VDE	VDE	VDE	DENTORI

1) Utilisez la fiche correcte pour votre pays.

# Table des matières

## **Présentation**

<b>Précautions .....</b>	<b>5 (FR)</b>
<b>Caractéristiques .....</b>	<b>6 (FR)</b>
<b>Emplacement et fonction des commandes .....</b>	<b>7 (FR)</b>
Avant .....	7 (FR)
Arrière/Dessous .....	7 (FR)
Panneau de commande .....	8 (FR)
Panneau des connecteurs .....	10 (FR)
Télécommande .....	11 (FR)

## **Installation et projection**

<b>Installation du projecteur .....</b>	<b>12 (FR)</b>
<b>Raccordement .....</b>	<b>13 (FR)</b>
Raccordement à un ordinateur ou un magnétoscope .....	13 (FR)
Raccordement à un système à signal RVB 15k/à des composants .....	14 (FR)
Raccordement au LAN .....	14 (FR)
<b>Sélection de la langue d'affichage des menus .....</b>	<b>16 (FR)</b>
<b>Projection .....</b>	<b>16 (FR)</b>

## **Ajustements et réglages à l'aide du menu**

<b>Utilisation du MENU .....</b>	<b>19 (FR)</b>
<b>Le menu CTRL IMAGE .....</b>	<b>19 (FR)</b>
<b>Le menu REGL ENTREE .....</b>	<b>21 (FR)</b>
<b>Le menu REGLAGE .....</b>	<b>23 (FR)</b>
<b>Le menu REGL. INSTAL. ....</b>	<b>24 (FR)</b>

## **Installation**

<b>Exemples d'installation .....</b>	<b>26 (FR)</b>
<b>Remarques concernant l'installation .....</b>	<b>27 (FR)</b>
Installation déconseillée .....	27 (FR)
Conditions d'utilisation déconseillées .....	27 (FR)

## **Entretien**

<b>Entretien .....</b>	<b>28 (FR)</b>
Remplacement de la lampe .....	28 (FR)
Nettoyage du filtre à air .....	29 (FR)
<b>Dépannage .....</b>	<b>30 (FR)</b>

## **Divers**

<b>Spécifications .....</b>	<b>32 (FR)</b>
<b>Index .....</b>	<b>35 (FR)</b>



## Précautions

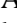
### Sécurité

- Vérifiez si la tension de service de votre appareil est identique à la tension secteur locale.
- Si des liquides ou des solides pénètrent dans le châssis, débranchez l'appareil et faites-le vérifier par un personnel qualifié avant de le remettre en service.
- Débranchez l'appareil de la prise murale si vous prévoyez de ne pas l'utiliser pendant plusieurs jours.
- Pour débrancher le câble, saisissez-le par la fiche. Ne tirez jamais sur le câble proprement dit.
- La prise d'alimentation doit se trouver à proximité de l'appareil et être aisément accessible.
- L'appareil n'est pas déconnecté de la source d'alimentation (secteur) aussi longtemps qu'il reste branché sur la prise murale, même si l'appareil proprement dit a été mis hors tension.
- Ne regardez pas vers l'objectif lorsque la lampe est allumée.
- N'orientez pas le laser vers des personnes et ne regardez pas vers le transmetteur laser.
- Ne placez pas la main ou d'autres objets à proximité des orifices de ventilation — l'air expulsé est brûlant.
- Veillez à ne pas vous coincer les doigts dans le support réglable lorsque vous soulevez le projecteur. Ne poussez pas trop fort sur le dessus du projecteur lorsque le support réglable est abaissé.
- Veillez à tenir le projecteur fermement avec vos deux mains lorsque vous le transportez.

### Eclairage

- Pour obtenir la meilleure qualité d'image possible, l'avant de l'écran ne doit pas être directement exposé à la source d'éclairage ni au rayonnement solaire.
- Nous préconisons un éclairage au moyen de spots fixés au plafond. Placez un écran sur les lampes fluorescentes de façon à éviter une altération du niveau de contraste.
- Occultez les fenêtres qui font face à l'écran au moyen de draperies opaques.
- Il est préférable d'installer le projecteur dans une pièce où le sol et les murs ne sont pas revêtus d'un matériau réfléchissant la lumière. Si le sol et les murs réfléchissent la lumière, nous vous conseillons de remplacer le revêtement du sol et des murs par une couleur sombre.

### Prévention de la surchauffe interne

Après avoir mis l'appareil hors tension au moyen de la touche I /  de la télécommande ou du panneau de commande, ne débranchez pas l'appareil de la prise secteur tant que le ventilateur de refroidissement continue à tourner.

#### Attention

Le projecteur est équipé d'orifices de ventilation (prise d'air) sur le dessous et d'orifices de ventilation (sortie d'air) à l'avant. N'obstruez pas ces orifices et ne placez rien à proximité, car vous risqueriez de provoquer une surchauffe interne pouvant entraîner une altération de l'image ou une détérioration du projecteur.

### Entretien

- Pour que le châssis conserve son aspect neuf, nettoyez-le régulièrement à l'aide d'un chiffon doux. Les taches tenaces s'éliminent en frottant avec un chiffon doux légèrement imprégné d'une solution détergente neutre. N'utilisez en aucun cas des solvants puissants tels que du diluant ou de la benzine ni de nettoyeurs abrasifs qui risqueraient d'altérer le fini du châssis.
- Ne touchez pas l'objectif. Pour éliminer la poussière de l'objectif, utilisez un chiffon doux et sec. N'utilisez pas de chiffon humide, de solution détergente ni de diluant.
- Nettoyez le filtre à air à intervalles réguliers (toutes les 300 heures).

### Remballage

Conservez le carton d'emballage et les matériaux de conditionnement d'origine, car ils constituent une protection idéale pour le transport de l'appareil. Pour une protection maximale, remballer votre appareil comme il a été emballé à l'origine en usine.

### Sur le projecteur LCD

Le projecteur LCD est fabriqué avec une technologie de haute précision. Il se peut cependant que de petits points noirs et/ou des points lumineux (rouge, bleu ou vert) apparaissent continuellement sur le projecteur LCD. Il s'agit d'un résultat normal du processus de fabrication et ne constitue aucunement un dysfonctionnement.

# Caractéristiques

## Luminosité élevée, haute qualité d'image

### • Luminosité élevée

Le panneau LCD à taux d'ouverture élevé, doté d'une micro lentille, et la lampe 250 W UHP fournissent une luminosité élevée (flux lumineux 3500 lumens ANSI) ainsi qu'une excellente uniformité de l'image.

### • Haute résolution

Grâce à trois panneaux de 1,3 pouce et d'environ 790.000 pixels XGA, ce projecteur est capable de projeter une image claire avec des résolutions de 1024 × 768 pixels en entrée RVB et de 750 lignes TV horizontales en entrée vidéo.

### • Haute qualité d'image

La technologie DDE (Dynamic Detail Enhancer), récemment développée par Sony en exclusivité, permet de convertir un signal vidéo du format entrelacé en format progressif, vous permettant ainsi d'obtenir une image plus précise. Cette technique reproduit également les films en format 2-3 intermittent sans à-coups entre les images. L'optimiseur interne RVB donne des images RVB plus nettes et la correction Gamma numérique 3D à 10 bits assure une bonne uniformité des images.

## Installation pratique et simplifiée

### • Fonction du zoom électrique/mise au point et réglage vertical

Le projecteur est équipé d'un zoom 1,3 × et d'un objectif électriques qui vous permettent de modifier la taille de l'image projetée sans avoir à déplacer le projecteur. La fonction de réglage vertical de l'objectif vous donne une plus grande souplesse pour choisir l'emplacement du projecteur sans vous soucier de la déformation trapézoïdale. De même, trois objectifs optionnels sont disponibles pour le projecteur, selon vos conditions d'installation.

### • Objectif en position centrale

Le projecteur est conçu pour placer l'objectif au centre de l'appareil. Cela permet une installation facile étant donné que le centre de l'objectif s'aligne sur le centre de l'écran.

### • Installation inclinée (vers l'avant et vers l'arrière)

Vous pouvez installer le projecteur en l'inclinant à 90° vers l'arrière ou à 90° vers l'avant. Vous pouvez utiliser un miroir pour la rétro projection.

### • Installation de deux projecteurs

Grâce à la fonction de réglage vertical de l'objectif, deux projecteurs peuvent être mis l'un au-dessus de l'autre, ce qui améliore la luminosité de l'image.

## Compatibilité multi-scan

### • Connecteurs DVI et 5BNC

Ce projecteur possède un connecteur DVI (Digital Visual Interface), le plus récent des connecteurs d'entrée numériques, ce qui permet de le raccorder à des appareils RVB numériques ou analogiques équipés d'une sortie DVI. Les connecteurs d'entrée 5BNC vous permettent de raccorder le projecteur à une station de travail émettant des signaux haute résolution et de raccorder le projecteur à un ordinateur distant.

Le projecteur dispose de 44 données prédéfinies dans la mémoire pour les signaux d'entrée, ce qui vous permet de projeter une image claire sur l'écran simplement en raccordant l'équipement et en appuyant sur la touche APA (Auto Pixel Alignment).

### • Divers signaux d'entrée acceptés

Ce projecteur accepte des signaux d'entrée vidéo composite, S vidéo et à composants ainsi que les signaux RVB 15k, DTV, HDTV, VGA<sup>1)</sup>, SVGA<sup>1)</sup>, XGA<sup>1)</sup>, SXGA<sup>1)</sup> et UXGA<sup>1)</sup> (fV = 60 Hz) qui peuvent tous être affichés.

### • Convertisseur d'écran intégré

Ce projecteur est doté d'un convertisseur à balayage intégré qui convertit le signal d'entrée en 1024 × 768 pixels.

### • Compatible avec six systèmes couleur

Les systèmes couleur NTSC<sup>3.58</sup>, PAL, SECAM, NTSC<sup>4.43<sup>2)</sup></sup>, PAL-M et PAL-N peuvent être sélectionnés automatiquement ou manuellement.

## Autres fonctions

### • Compatibilité avec la mise en réseau

Le projecteur est doté d'un logement pour la carte PC et un connecteur ETHER vous permettant de vous connecter à un réseau LAN avec ou sans fil.

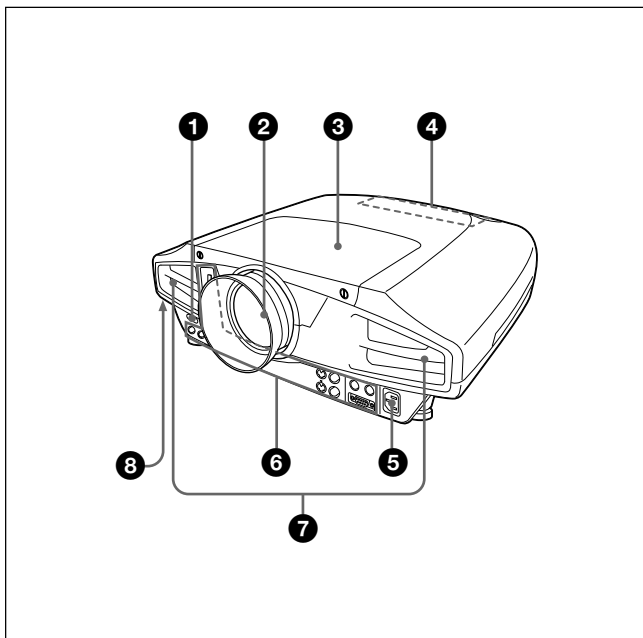
*Pour plus d'informations sur la fonction d'utilisation en réseau de ce projecteur, reportez-vous au mode d'emploi fourni concernant l'utilisation en réseau.*

1) VGA, SVGA, XGA, SXGA et UXGA sont des marques déposées d'International Business Machines Corporation, U.S.A.

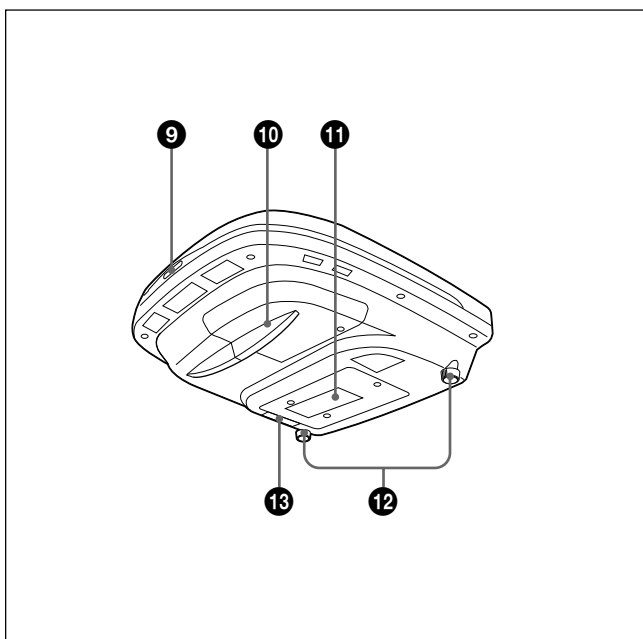
2) NTSC<sup>4.43</sup> est le système couleur utilisé pour la reproduction d'enregistrements vidéo réalisés sur NTSC d'un magnétoscope avec système NTSC<sup>4.43</sup>.

# Emplacement et fonction des commandes

## Avant



## Arrière/Dessous



### ❶ Capteur de télécommande avant

### ❷ Objectif

Retirez le bouchon de l'objectif avant de procéder à la projection.

### ❸ Couvercle de l'objectif

### ❹ Panneau de commande

Pour plus de détails, voir "Panneau de commande" à la page 8 (FR).

### ❺ Prise AC IN

Branchez-y le câble d'alimentation fourni sur cette prise.

### ❻ Panneau des connecteurs

Pour plus de détails, voir page 10 (FR).

### ❼ Orifices de ventilation (sortie d'air)

### ❽ Serrure de sécurité

Branchez-y un câble de sécurité en option (Kensington) sur cette prise.

La serrure Kensington est conforme au système de sécurité MicroSaver® Kensington.

Pour obtenir plus d'informations, contactez  
Kensington  
2855 Campus Drive, San Mateo,  
CA 94403

En Amérique du nord  
Téléphone: 800-235-6708  
Télécopie: 800-247-1317

En dehors de l'Amérique du nord  
Téléphone: 847-541-9500

Site Internet:  
<http://www.kensington.com/>

### ❹ Capteur de télécommande arrière

### ❺ Couvercle de la lampe

### ❻ Orifices de ventilation (prise d'air)

#### Remarques

- Ne placez rien à proximité des orifices de ventilation sous peine de provoquer une surchauffe interne.
- Ne placez pas la main ou d'autres objets à proximité des orifices de ventilation — l'air expulsé est brûlant.

## 12 Support réglable

Utilisez les molettes de réglage pour ajuster le niveau du projecteur s'il est installé sur une surface inégale. Réglez la hauteur de sorte que le projecteur soit d'aplomb. La hauteur du projecteur augmente si vous tournez les molettes de réglage dans le sens horaire et elle diminue si vous les tournez dans le sens anti-horaire.

## 13 Filtre à air

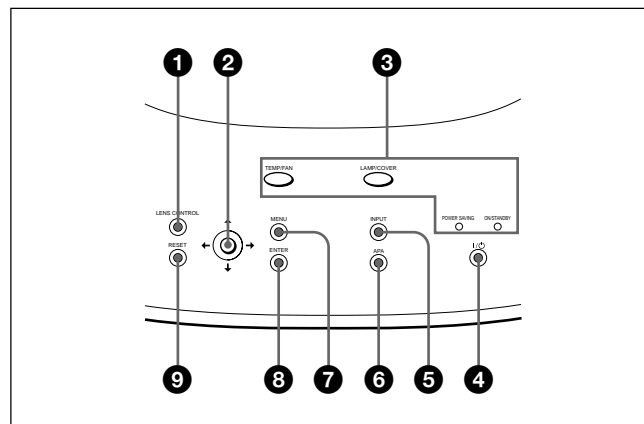
Pour retirer le filtre à air, retirez-le horizontalement avec cette partie.

Pour plus de détails, voir "Nettoyage du filtre à air" à la page 29 (FR).

### Remarque

**Nettoyez le filtre à air toutes les 300 heures** afin d'assurer des performances optimales.

## Panneau de commande



### 1 Touche LENS CONTROL

Accède au mode de réglage de la mise au point, du zoom ou du réglage vertical. Effectuez ensuite le réglage à l'aide des flèches. A chaque fois que vous appuyez sur une touche, le mode passe à FOCUS OBJECTIF, ZOOM OBJECTIF et DEPL. OBJECTIF dans cet ordre. Le mode sélectionné est affiché à l'écran.

**FOCUS OBJECTIF:** accède au mode de réglage de la mise au point. Réglez ensuite la mise au point à l'aide des flèches de direction. Appuyez sur la touche **↑** ou **→** pour effectuer une mise au point sur une image suivante et sur la touche **↓** ou **←** pour effectuer une mise au point sur une image précédente. Vous ne pouvez pas sélectionner FOCUS OBJECTIF lorsque vous installez l'objectif en option.

**ZOOM OBJECTIF:** accède au mode de réglage du zoom. Réglez ensuite la taille de l'image à l'aide des flèches de direction. Appuyez sur la touche **↑** ou **→** pour agrandir la taille de l'image et sur la touche **↓** ou **←** pour la réduire. Vous ne pouvez pas sélectionner ZOOM OBJECTIF lorsque vous installez l'objectif en option.

**DEPL. OBJECTIF:** accède au mode de réglage du décalage. Réglez ensuite la position verticale de l'image à l'aide des flèches. Appuyez sur la touche **↑** ou **→** pour déplacer l'image vers le haut et la touche **↓** ou **←** pour la déplacer vers le bas.

### 2 Touches fléchées (↑/↓/←/→)

Utilisées pour régler la mise au point, le zoom et le réglage vertical ou pour déplacer le curseur et effectuer divers réglages dans le menu.

**3 Indicateurs****TEMP (Température)/FAN**

- S'allume lorsque la température intérieure du projecteur devient anormalement élevée.
- Clignote lorsque le ventilateur est défectueux.

**LAMP/COVER**

- S'allume lorsque la lampe a atteint la fin de sa durée de vie utile ou une température élevée.
- Clignote lorsque le couvercle de la lampe ou le couvercle du filtre à air n'est pas correctement fixé.

**POWER SAVING**

S'allume lorsque le projecteur est en mode d'économie d'énergie. Lorsque MODE ECO dans le menu REGLAGE est réglé sur ON, le projecteur passe en mode d'économie d'énergie si aucun signal n'est entré pendant 10 minutes. Bien que le témoin s'éteigne, le ventilateur de refroidissement continue de tourner. En mode d'économie d'énergie, aucune des touches ne fonctionne pendant les 40 premières secondes. Le mode d'économie d'énergie est désactivé dès qu'un signal est entré ou qu'une touche est actionnée.

**ON/STANDBY**

- S'allume en rouge lorsque le câble d'alimentation secteur est branché sur la prise murale. Dès que le projecteur est en mode de veille, vous pouvez l'activer à l'aide de la touche I / ⏻.
- S'allume en vert lorsque le projecteur est sous tension.
- Clignote en vert tant que le ventilateur de refroidissement tourne après la mise hors tension du projecteur à l'aide de la touche I / ⏻. Le ventilateur tourne pendant environ 120 secondes après la mise hors tension. L'indicateur ON/STANDBY clignote rapidement pendant les 40 premières secondes. Pendant ce temps, vous ne pouvez pas remettre le projecteur sous tension à l'aide de la touche I / ⏻.

Pour plus de détails sur les indicateurs LAMP/COVER et TEMP/FAN, voir page 31 (FR).

**4 Touche I / ⏻ (marche / veille)**

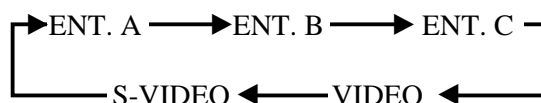
Met le projecteur sous tension lorsqu'il se trouve en mode de veille. L'indicateur ON/STANDBY s'allume en vert lorsque le projecteur est sous tension.

**Pour mettre le projecteur hors tension, appuyez deux fois sur la touche I / ⏻ en fonction du message affiché à l'écran ou maintenez la touche enfoncée pendant environ une seconde.**

Pour plus de détails sur la procédure de mise hors tension, voir "Pour mettre le projecteur hors tension" à la page 18 (FR).

**5 Touche INPUT**

Sélectionne le signal d'entrée. Chaque fois que vous appuyez sur cette touche, le signal d'entrée est commuté de la façon suivante:



ENT. C ne s'affiche pas lorsque FONCT ENTREE-C est réglé sur OFF dans le menu REGL. INSTAL.

**6 Touche APA (alignement automatique des pixels)**

Ajuste automatiquement l'image à projeter d'un signal entré depuis l'ordinateur pour qu'elle soit aussi claire que possible. Ajuste automatiquement le décalage (haut/bas et gauche/droite) en même temps. (Uniquement si un signal RVB (analogique) est émis par l'ordinateur).

**Remarque**

Appuyez sur la touche APA lorsque l'image est affichée à l'écran dans son intégralité. S'il y a des bords noirs autour de l'image, la fonction APA ne fonctionnera pas correctement et il se peut que l'image dépasse les bords de l'écran.

**7 Touche MENU**

Affiche le menu. Appuyez de nouveau sur la touche pour désactiver le menu.

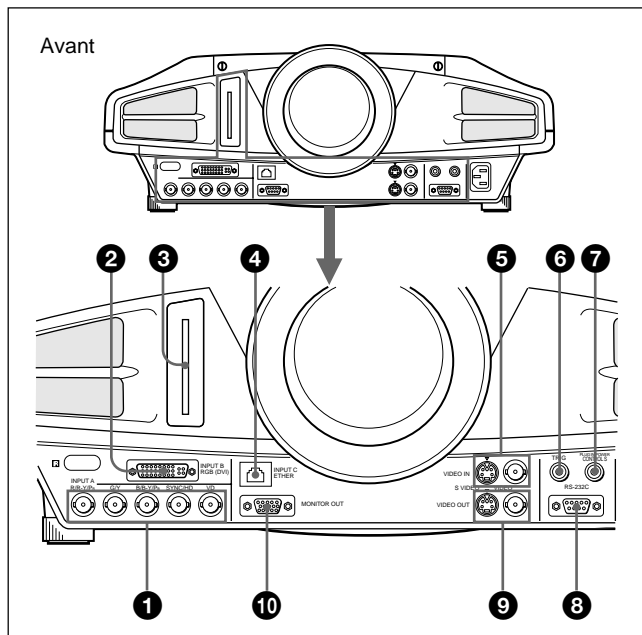
**8 Touche ENTER**

Confirme le réglage des paramètres dans le menu système.

**9 Touche RESET**

Restaure la valeur de réglage par défaut d'un paramètre. Cette touche est opérante lorsque le menu ou un paramètre de réglage est affiché à l'écran.

## Panneau des connecteurs



### 1 Connecteurs d'entrée INPUT A 5BNC (connecteurs R/R-Y/P<sub>R</sub>, G/Y, B/B-Y/P<sub>B</sub>, SYNC/HD, VD) (type BNC)

Raccordez-les à un ordinateur ou à un magnétoscope à haute résolution lorsque les signaux sont transmis sur de longues distances; par exemple, si le projecteur a été installé au plafond.

Vous pouvez sélectionner un signal pour l'appareil raccordé. En fonction de l'appareil raccordé, le signal d'ordinateur, composant (R-Y/Y/B-Y), HDTV ou DTV est sélectionné.

### 2 Connecteur INPUT B RGB (DVI)

Permet le raccordement à un appareil équipé d'une sortie DVI (RVB numérique ou analogique) à l'aide d'un câble DVI disponible dans le commerce.

### 3 Logement INPUT C PC CARD (Type II)

Une carte PC LAN sans fil ou une carte mémoire PC peuvent être installées selon vos besoins.

Pour des informations détaillées, reportez-vous à la section "Installation d'une carte PC" à la page 14 (FR).

### 4 Connecteur INPUT C ETHER (10BASE-T)

Lorsque vous utilisez ce projecteur en réseau, raccordez-vous à un ordinateur du même LAN avec le câble LAN.

### 5 Connecteurs VIDEO IN

Raccordez-les à un appareil vidéo externe comme un magnétoscope.

**S VIDEO (mini DIN à 4 broches):** Raccordez-le à la sortie vidéo S (sortie vidéo Y/C) d'un appareil vidéo.

**VIDEO (type BNC):** Raccordez-le à la sortie vidéo composite.

### 6 Prise (mini-prise monaurale) TRIG (sortie de déclenchement)

Le signal est transmis à partir de cette prise à l'équipement raccordé que le projecteur soit sous tension ou non. (Ceci n'est pas une source d'alimentation pour les équipements externes.) Un signal de 12 V CC environ est émis lorsque le projecteur est sous tension. Le signal est de 0 volt lorsque le projecteur est hors tension.

### 7 Prise CONTROL S/PLUG IN POWER (sortie 5 V CC) (mini prise stéréo)

Se branche aux prises CONTROL S OUT de l'appareil Sony.

Se branche à la prise CONTROL S OUT de la télécommande fournie lorsqu'elle est utilisée comme télécommande câblée. Dans ce cas, vous n'avez pas besoin d'installer les piles de la télécommande étant donné que l'alimentation est fournie par cette prise.

### 8 Connecteur RS-232C (D-sub à 9 broches, femelle)

Raccordez-le à un ordinateur pour piloter le projecteur depuis un ordinateur.

### 9 Connecteurs VIDEO OUT

**S VIDEO (mini DIN à 4 broches):** Utilisée comme sortie en boucle directe via le connecteur S VIDEO IN.

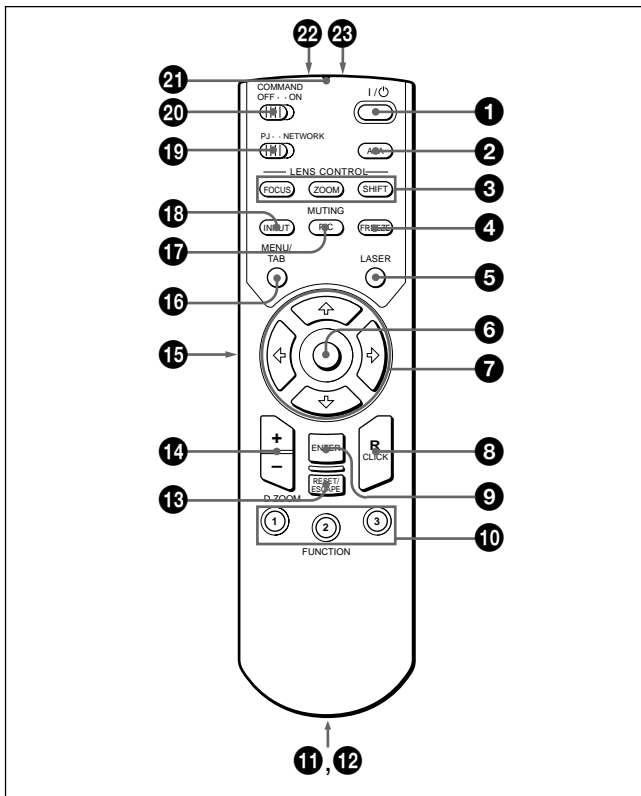
**VIDEO (type BNC):** Utilisée comme sortie en boucle directe du connecteur VIDEO IN.

### 10 Connecteur MONITOR OUT (HD D-sub à 15 broches, femelle)

Se branche à l'entrée vidéo du moniteur. Sort les signaux du canal sélectionné dans la zone de connecteurs INPUT A (5BNC) ou INPUT B (DVI). Ce connecteur n'émet aucun signal de sortie à partir du connecteur DVI lorsque le signal d'entrée est numérique.

## Télécommande

Les touches portant le même nom que sur le panneau de commande remplissent la même fonction.



### Remarques sur le faisceau laser

- Ne regardez pas vers le transmetteur laser.
- Ne dirigez pas le faisceau laser vers des personnes.

#### 1 Touche I / O

#### 2 Touche APA (alignement automatique des pixels)

#### 3 Touches LENS CONTROL FOCUS/ZOOM/SHIFT

#### 4 Touche FREEZE

Cette touche vous permet d'immobiliser l'image projetée. Pour annuler l'image immobilisée, appuyez à nouveau sur cette touche.

#### 5 Touche LASER

Une pression continue sur cette touche commande l'émission du faisceau laser par l'émetteur laser.

#### 6 Souris

Elle fonctionne comme la souris de la fenêtre INPUT C du projecteur lorsque le commutateur PJ/NETWORK est réglé sur NETWORK.

#### 7 Touches fléchées (↑/↓/←/→)

#### 8 Touche R CLICK (droite)

Lorsque le commutateur de sélection PJ/NETWORK est réglé sur NETWORK, cette touche fonctionne comme le bouton droit d'une souris dans la fenêtre INPUT C de ce projecteur.

#### 9 Touche ENTER

#### 10 Touches FUNCTION 1/2/3

Fonctionnent lorsque le commutateur de sélection PJ/NETWORK est réglé sur NETWORK.

Lorsque la fenêtre INPUT C est affichée sur le projecteur, vous pouvez lancer une application uniquement en appuyant sur une touche FUNCTION. Pour utiliser cette fonction, affectez une application à une touche FUNCTION. L'affectation à la touche FUNCTION 3 est liée au clavier affiché à l'écran. Pour obtenir plus de détails sur la façon d'affecter une application à des touches FUNCTION, reportez-vous au mode d'emploi concernant l'utilisation en réseau.

#### 11 Dragonne

Permet d'attacher une dragonne.

#### 12 Prise CONTROL S OUT (miniprise stéréo)

Raccordez-la à la prise CONTROL S IN du projecteur à l'aide d'un câble de connexion (non fourni) lorsque vous utilisez la télécommande comme une commande filaire. Dans ce cas, vous ne devez pas installer de piles dans la télécommande puisque son alimentation est assurée via la prise CONTROL S IN du projecteur.

#### 13 Touche RESET/ESCAPE

Lorsque le commutateur de sélection PJ/NETWORK est réglé sur PJ: elle fonctionne comme la touche RESET.

Lorsque le commutateur de sélection PJ/NETWORK est réglé sur NETWORK: elle fonctionne comme la touche ESCAPE du clavier lorsque la fenêtre INPUT C est affichée.

#### 14 Touche D ZOOM +/-

Agrandit l'image à l'endroit souhaité de l'écran.

+ : Une pression unique sur la touche + affiche l'icône. Cette icône indique l'endroit que vous voulez agrandir. Utilisez une flèche de direction (↑/↓/←/→) pour déplacer l'icône vers l'endroit à agrandir. Appuyez plusieurs fois sur la touche + jusqu'à ce que l'image soit agrandie selon vos exigences.

- : Une pression sur la touche - réduit une image qui a été agrandie au moyen de la touche D ZOOM +.

#### 15 Touche L CLICK (gauche)

Lorsque le commutateur de sélection PJ/NETWORK est réglé sur NETWORK, cette touche fonctionne comme le bouton gauche d'une souris dans la fenêtre INPUT C du projecteur.

#### 16 Touche MENU/TAB

Lorsque le commutateur de sélection PJ/NETWORK est réglé sur PJ: elle fonctionne comme la touche MENU.

Lorsque le commutateur de sélection PJ/NETWORK est réglé sur NETWORK: elle fonctionne comme la touche TAB du clavier lorsque la fenêtre INPUT C est affichée.

### 17 Touches PIC MUTING

Couper l'image. Ré-appuyez une nouvelle fois pour restaurer l'image.

### 18 Touche INPUT

**19 Commutateur de sélection PJ/NETWORK**  
Réglez le commutateur sur NETWORK afin d'utiliser la télécommande pour des opérations liées au réseau. Réglez le commutateur sur PJ afin d'utiliser la télécommande pour des opérations normales, autres que celles liées au réseau.

### 20 Commutateur COMMAND ON/OFF

Lorsque ce commutateur est réglé sur OFF, aucune touche de la télécommande ne fonctionne. Cela permet d'économiser les piles.

### 21 Indicateur de transmission

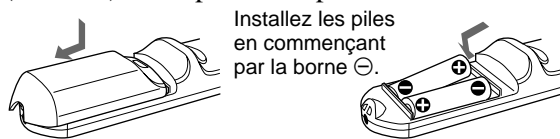
S'allume lorsque vous appuyez sur une touche de la télécommande.  
Cet indicateur ne s'allume pas lorsque vous utilisez le pointeur laser.

### 22 Transmetteur infrarouge

### 23 Transmetteur laser

## Installation des piles

**1** Appuyez sur le couvercle et faites-le glisser pour l'ouvrir, puis installez les deux piles AA (R6) (fournies) en respectant la polarité.



Installez les piles en commençant par la borne  $\ominus$ .

**2** Refermez le couvercle.

## Remarques sur les piles

- Veillez à orienter les piles dans le bon sens lorsque vous les installez dans la télécommande.
- N'utilisez pas en même temps des piles neuves et des piles usagées, ni des piles de types différents.
- Si vous prévoyez de ne pas utiliser la télécommande pendant une période prolongée, retirez les piles de façon à éviter tout dommage causé par une fuite des piles. Si une pile a fuit, retirez les piles, nettoyez le compartiment à piles et remplacez les piles.

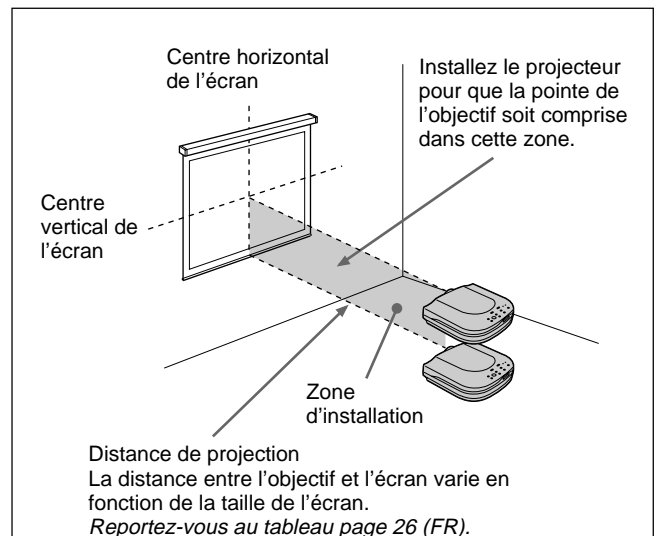
## Remarques sur le fonctionnement de la télécommande

Remarques sur le fonctionnement de la télécommande

- Veillez à ce qu'aucun obstacle placé entre la télécommande et le projecteur n'entrave le faisceau infrarouge entre la télécommande et le capteur de télécommande du projecteur.
- La portée de commande est limitée. Plus la distance entre la télécommande et le projecteur est courte, plus le champ dans lequel la télécommande peut commander le projecteur est large.

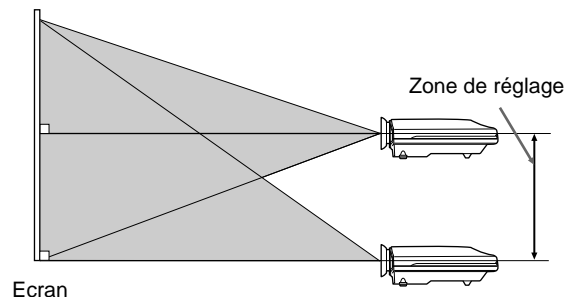
# Installation du projecteur

Cette section décrit les configurations d'installation du projecteur.



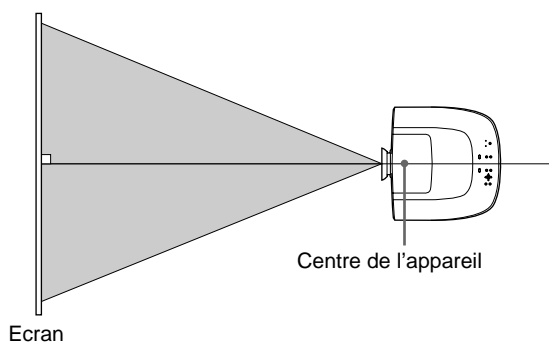
Réglez le projecteur verticalement et horizontalement.

### Positionnement vertical (vue latérale)



Vous pouvez régler l'angle de projection par un réglage vertical (page 17 (FR)). Installez le projecteur de sorte que le centre de l'objectif se trouve entre le bord inférieur de l'écran et le centre de l'écran.

### Positionnement horizontal (vue du dessus)



Réglez le projecteur sur le plan horizontal de sorte que l'objectif soit aligné sur le centre horizontal de l'écran.



# Raccordement

## Lors de l'établissement des connexions :

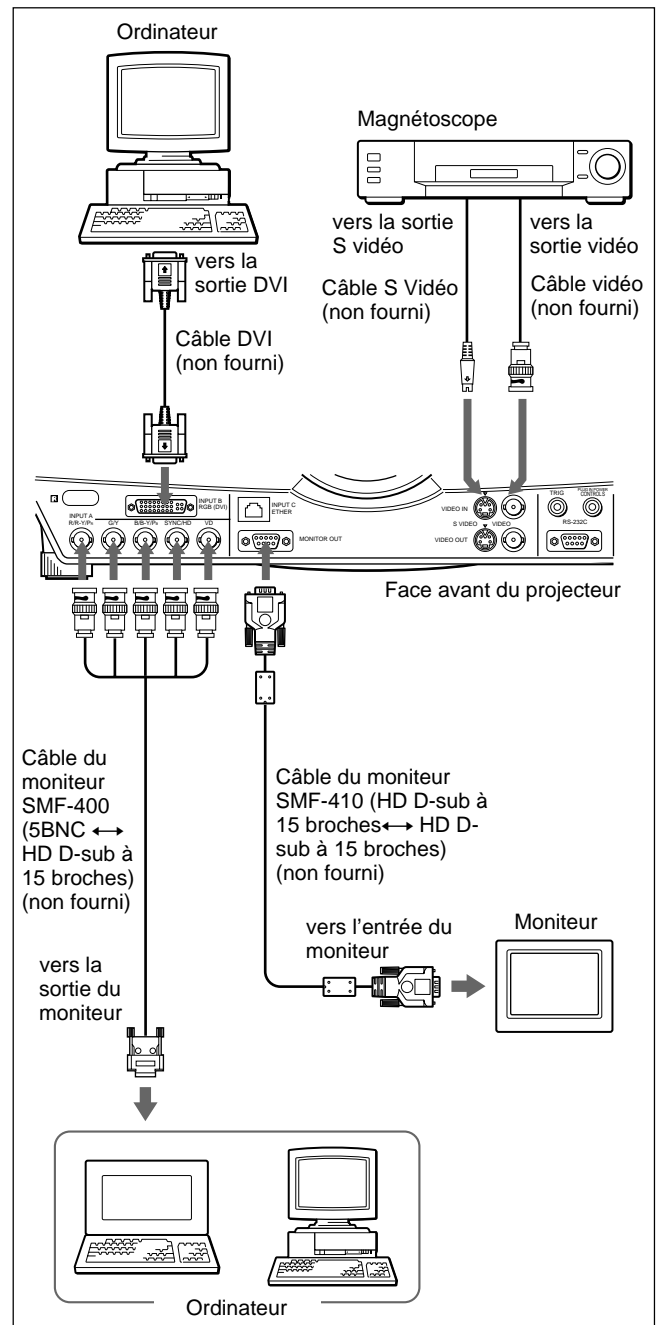
- mettez tous les appareils hors tension avant tout raccordement.
- utilisez les câbles appropriés pour chaque raccordement.
- branchez correctement les fiches des câbles; des fiches incomplètement enfichées génèrent souvent des parasites. Pour débrancher un câble, saisissez-le par la fiche ; ne tirez pas sur le câble proprement dit.

## Raccordement à un ordinateur ou un magnétoscope

Cette section décrit comment connecter ce projecteur à un ordinateur ou à un équipement vidéo. Reportez-vous également au mode d'emploi de l'appareil à raccorder.

### Remarques

- Cet appareil accepte les signaux VGA, SVGA, XGA, SXGA ou UXGA (60 Hz). Toutefois, nous vous recommandons de choisir XGA comme signal de sortie de votre ordinateur.
- Si vous réglez votre ordinateur, par exemple un portable IBM PC/AT<sup>1)</sup> compatible, pour sortir le signal à la fois vers l'écran de votre ordinateur et le moniteur externe, il se peut que l'image n'apparaisse pas correctement sur le moniteur externe. En pareil cas, réglez le mode de sortie de votre ordinateur pour sortir le signal vers le moniteur externe uniquement. *Pour plus de détails, reportez-vous au mode d'emploi fourni avec votre ordinateur.*
- Ce projecteur satisfait aux normes DDC1 et DDC2B Plug & Play. (DDC1 et DDC2B sont les normes Display Data Channel (DDC<sup>TM</sup>)<sup>2)</sup> de VESA.) Lorsque vous connectez un serveur DDC1, le projecteur se synchronise sur le signal V.CLK conforme à la norme VESA et sort des données EDID (Extended Display Identification Data) vers la ligne de données. Lorsque vous connectez un serveur DDC2B, le projecteur commute automatiquement le mode de communication approprié. Le connecteur INPUT B RGB (DVI) est conforme à la norme DDC2B de VESA. Si votre ordinateur ou votre carte graphique est compatible avec DDC, mettez le système sous tension comme suit:
  - 1 Selon le signal d'entrée, réglez TERM. ENTREE-B. du menu REGLAGE sur PC ANALOGIQUE ou PC NUMERIQUE.
  - 2 Raccordez le projecteur à l'ordinateur à l'aide du câble DVI.
  - 3 Mettez le projecteur sous tension.
  - 4 Initialisez l'ordinateur.



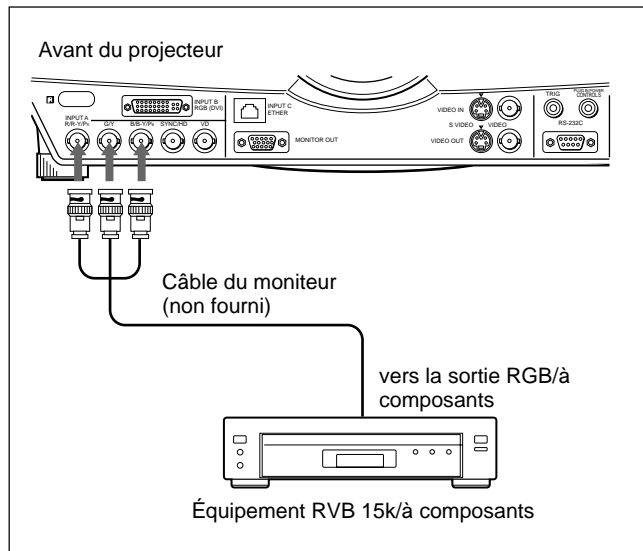
### Remarques

- Dans le menu REGLAGE, réglez ENT. A sur ORDINATEUR lorsque vous raccordez l'ordinateur au connecteur INPUT A de l'ordinateur. *Pour plus de détails, voir page 24 (FR).*
- Lorsque vous connectez un ordinateur Macintosh<sup>3)</sup> équipé d'un connecteur de sortie vidéo disposant de deux rangées de broches au connecteur INPUT A, utilisez un adaptateur de fiche disponible dans le commerce.
- Dans le menu REGLAGE, sélectionnez PC NUMERIQUE ou PC ANALOGIQUE à l'aide de TERM. ENTREE-B selon l'entrée du signal. *Pour plus de détails, voir page 24 (FR).*

1) IBM et PC/AT sont une marque commerciale et une marque de commerce déposée par International Business Machines Corporation aux Etats-Unis.  
 2) DDC<sup>TM</sup> est une marque déposée de Video Electronics Standard Association.  
 3) Macintosh est une marque déposée d'Apple Computer Inc.

## Raccordement à un système à signal RVB 15k/à des composants

Cette section décrit comment raccorder le projecteur à un système à signal RVB 15k/à des composants. Reportez-vous également au mode d'emploi de l'appareil à raccorder.



### Remarques

- Réglez le format d'image à l'aide du paramètre **FORMAT** du menu **REGL ENTREE** en fonction du signal d'entrée.  
*Pour plus de détails, voir page 22 (FR).*
- Sélectionnez le signal d'entrée à l'aide de **ENT. A** dans le menu **REGLAGE**.  
*Pour plus de détails, voir page 24 (FR).*
- Utilisez le signal de synchronisation composite lorsque vous introduisez le signal de synchronisation externe du système RVB 15k/composant.

### Raccordement d'un HDTV 1035/60i

Comme le rapport d'écran d'une image à haute définition est de 16:9e et que 576 lignes sont affichées dans le sens vertical, l'image affichée n'est pas une image à haute définition.

## Raccordement au LAN

Ce projecteur est compatible avec l'utilisation en réseau. L'installation d'une carte PC LAN sans fil ou l'utilisation d'un connecteur ETHER vous permet de raccorder le projecteur à un LAN avec ou sans fil. Vous pouvez également installer une carte mémoire PC.

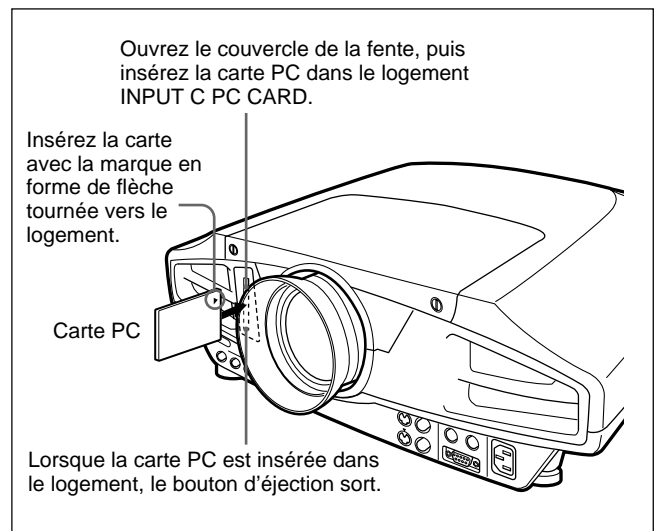
Cette section décrit comment effectuer le raccordement au LAN et comment installer une carte PC.

Lorsque vous connectez le projecteur au LAN, dans le menu **REGL. INSTAL.**, réglez **FONCT ENTREE-C** sur **ON**.

*Pour plus de détails, voir page 25 (FR).*

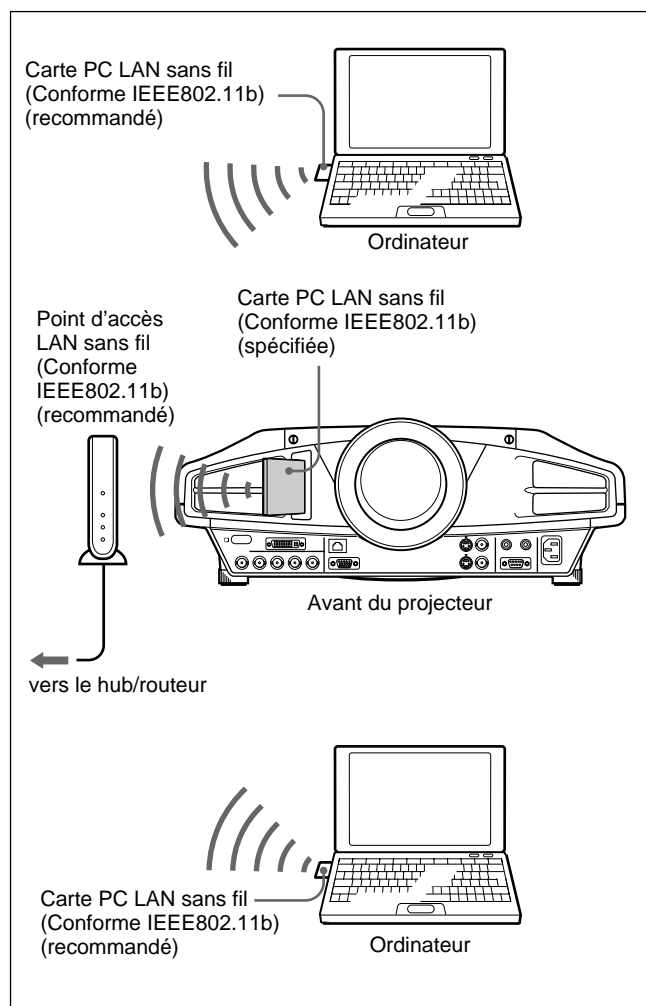
### Installation d'une carte PC

Lorsque vous utilisez la carte PC LAN ou une carte mémoire, insérez-la dans le logement **INPUT C PC CARD**.



Pour retirer la carte PC de son logement, appuyez sur le bouton d'éjection.

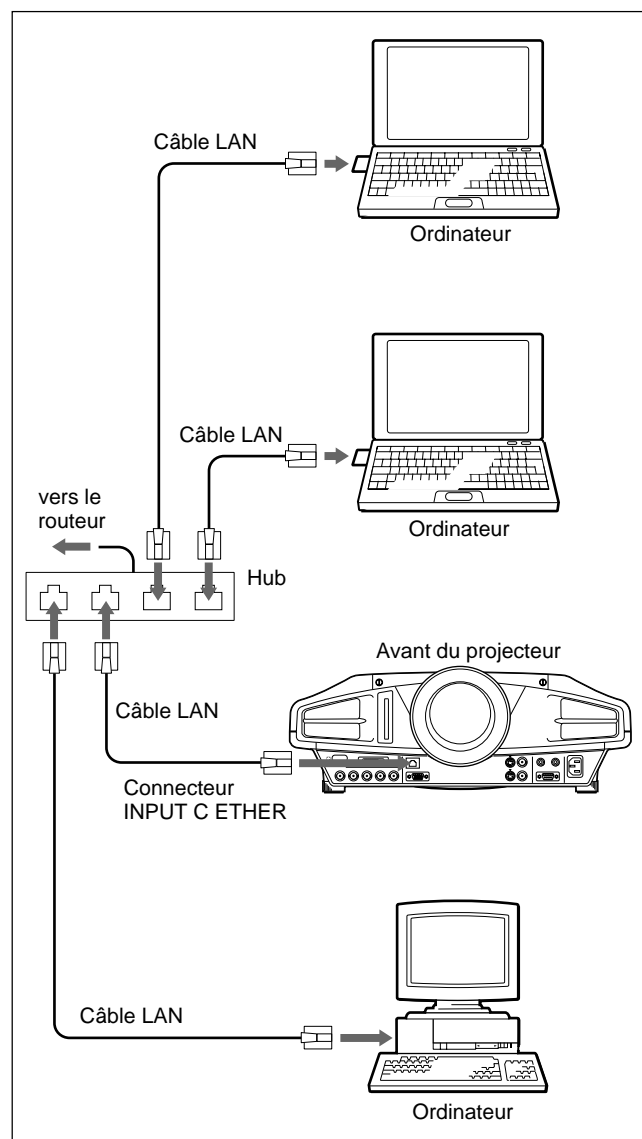
## Raccordement à l'aide d'une carte PC LAN sans fil



### Remarques

- Pour obtenir des détails sur le point d'accès carte PC ou LAN sans fil recommandé, reportez-vous au manuel "Point d'accès carte PC/LAN sans fil recommandé" ci-joint.
- Pour plus de détails sur la définition de l'adresse IP, veuillez vous reporter au manuel "Instructions en cas de mise en réseau" ci-joint.

## Raccordement à l'aide d'un connecteur INPUT C ETHER



## Installation d'une carte mémoire PC

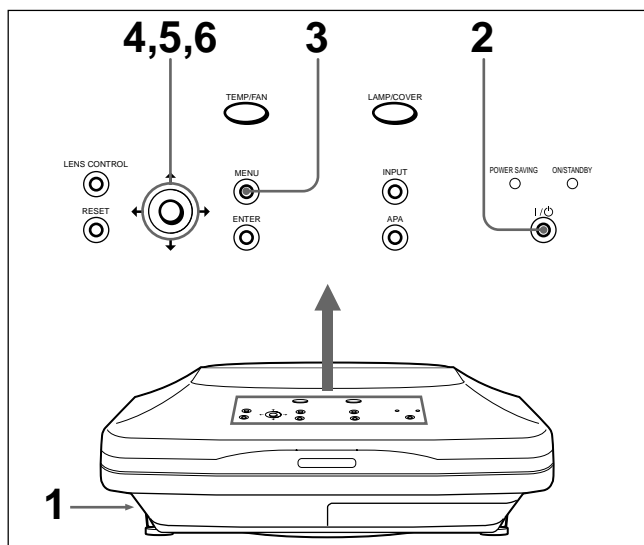
Si vous mémorisez le fichier créé avec PowerPoint<sup>1)</sup> de Microsoft dans une carte mémoire et que vous l'insérez dans le logement INPUT C PC CARD, vous pouvez lancer une présentation sans vous raccorder à un ordinateur.

*Pour attacher et retirer la carte mémoire, voir la section portant sur l'installation d'une carte PC, page 14 (FR). Pour obtenir des détails sur la carte PC recommandée, reportez-vous au manuel "Point d'accès carte PC/LAN sans fil recommandé" ci-joint.*

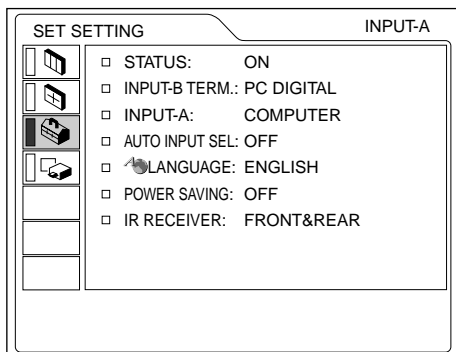
1) PowerPoint est une marque de Microsoft Corporation déposée aux Etats-Unis et/ou dans d'autres pays.

## Sélection de la langue d'affichage des menus

Vous pouvez sélectionner la langue des menus et des autres affichages parmi 7 langues. Le réglage par défaut est ENGLISH.



- 1** Introduisez la fiche secteur dans la prise murale.
- 2** Appuyez sur la touche I / pour mettre l'appareil sous tension.
- 3** Appuyez sur la touche MENU.  
Le menu s'affiche à l'écran.
- 4** Appuyez sur la touche ou pour sélectionner le menu SET SETTING (REGLAGE), puis appuyez sur la touche ou ENTER.  
Le menu SET SETTING apparaît.



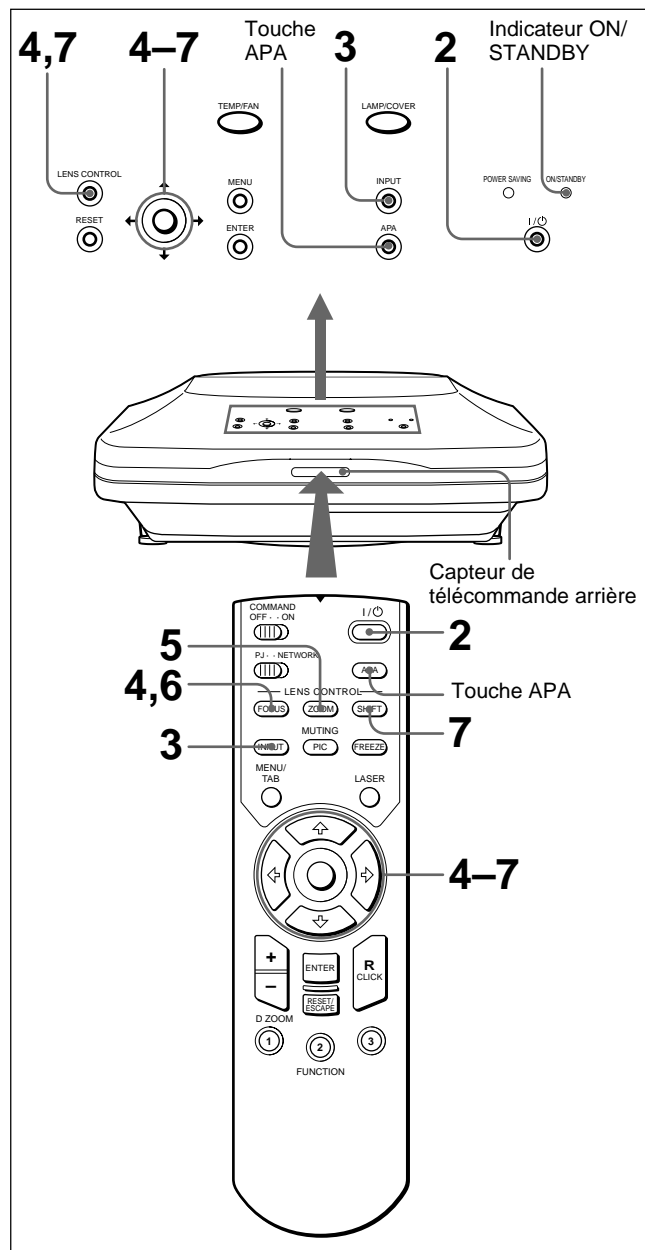
- 5** Appuyez sur la touche ou pour sélectionner LANGUAGE (LANGAGE), puis appuyez sur la touche ou ENTER.
- 6** Appuyez sur la touche ou pour sélectionner une langue, puis appuyez sur la touche ou ENTER.  
Le menu s'affiche dans la langue sélectionnée.

## Pour faire disparaître le menu

Appuyez la touche MENU.

L'affichage du menu disparaît automatiquement si aucune touche n'est activée pendant une minute.

## Projection



- 1** Lorsque tous les appareils ont été correctement raccordés, branchez le câble d'alimentation sur une prise murale (secteur).  
L'indicateur ON/STANDBY s'allume en rouge et le projecteur passe en mode de veille.
- 2** Appuyez sur la touche I / .
- 3** Allumez l'appareil raccordé au projecteur. Appuyez sur la touche INPUT pour sélectionner la source d'entrée.

- ENT. A:** Sélectionne l'entrée des signaux vidéo à partir du connecteur INPUT A.
- ENT. B:** Sélectionne l'entrée des signaux vidéo à partir du connecteur INPUT B.
- ENT. C:** permet d'afficher la fenêtre Windows CE.
- VIDEO:** Sélectionne l'entrée des signaux vidéo à partir de la prise VIDEO (VIDEO IN).
- S-VIDEO:** Sélectionne l'entrée des signaux vidéo à partir de la prise S VIDEO (VIDEO IN).

**4** Appuyez sur la touche FOCUS, puis sur la touche  $\uparrow$  ou  $\downarrow$  de la télécommande pour régler la mise au point.

“FOCUS OBJECTIF” apparaît sur l'écran en cours de réglage.

**5** Appuyez sur la touche ZOOM, puis sur la touche  $\uparrow$  ou  $\downarrow$  de la télécommande pour régler la taille de l'image.

“ZOOM OBJECTIF” apparaît sur l'écran en cours de réglage.

**6** Appuyez sur la touche FOCUS et sur les flèches de direction de la télécommande pour régler la mise au point une nouvelle fois.

**7** Appuyez sur la touche SHIFT, puis sur la touche  $\uparrow$  ou  $\downarrow$  de la télécommande pour régler la position verticale de l'image.

“DEPL. OBJECTIF” apparaît sur l'écran en cours de réglage.

### Remarque sur les réglages de la mise au point et du zoom

Si l'objectif optionnel VPLL-ZM101, VPLL-ZM31 ou VPLL-FM21 est utilisé, réalisez les réglages de la mise au point et du zoom manuellement.

### Utiliser les touches du panneau de commande pour les réglages de la mise au point, du zoom et du réglage vertical

Appuyez plusieurs fois sur la touche LENS CONTROL pour afficher le mode de réglage souhaité. Chaque pression change de mode dans l'ordre suivant: “FOCUS OBJECTIF,” “ZOOM OBJECTIF” et “DEPL. OBJECTIF”. Procédez ensuite au réglage en appuyant sur les flèches.

#### Remarque

Ne regardez pas vers l'objectif en cours de projection car vous risquez de vous blesser les yeux.

### Pour couper l'image

Appuyez sur la touche PIC MUTING de la télécommande. Pour restaurer l'image, appuyez une nouvelle fois sur la touche PIC MUTING.

### Pour obtenir l'image la plus claire

Vous pouvez ajuster la phase des points lorsqu'un signal est entré depuis l'ordinateur. Appuyez sur la touche APA.

L'image projetée est réglée automatiquement pour être aussi claire que possible.

#### Remarques

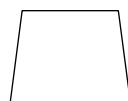
- Ajustez le signal lorsque l'image fixe est affichée sur l'écran.
- Appuyez sur la touche APA lorsque l'image est affichée intégralement à l'écran. S'il y a des bords noirs autour de l'image, la fonction APA ne fonctionnera pas correctement et l'image risque de ne pas tenir sur l'écran.
- Si vous commutez le signal d'entrée ou si vous reconnectez un ordinateur, appuyez de nouveau sur la touche APA pour obtenir l'image adéquate.
- “REGLAGE” apparaît sur l'écran. Appuyez de nouveau sur la touche APA durant le réglage pour restaurer l'écran original.
- “Effectué!” apparaît sur l'écran lorsque l'image est correctement réglée. Suivant le type de signal d'entrée, il se peut que l'image ne soit pas correctement réglée.
- Réglez les paramètres du menu REGL ENTREE lorsque vous réglez l'image manuellement.  
*Pour plus de détails, voir page 21 (FR).*

### Pour régler le trapèze

Lorsque l'image projetée est trapézoïdale, effectuez un réglage vertical à l'aide de la touche SHIFT.

Si l'image présente toujours une forme trapézoïdale, corrigez-la dans TRAPEZE NUMER du menu REGL. INSTAL.

**Lorsque le bord de base est plus long que le bord supérieur, comme le montre l'illustration ci-dessous:**



Reglez la valeur sur négatif.

**Lorsque le bord supérieur est plus long que le bord de base, comme le montre l'illustration ci-dessous:**



Reglez la valeur sur positif.

*Pour plus de détails sur “TRAPEZE NUMER”, voir page 25 (FR).*

## Pour mettre le projecteur hors tension

- 1 Appuyez sur la touche I / ⏻.  
“METTRE HORS TENSION?” apparaît à l'écran.

### Remarque

Le message disparaît si vous appuyez sur une touche quelconque à l'exception de la touche I / ⏻, ou si vous n'appuyez sur aucune touche pendant cinq secondes.

- 2 Ré-appuyez sur la touche I / ⏻.

L'indicateur ON/STANDBY clignote en vert et le ventilateur de refroidissement continue de tourner pendant environ 120 secondes pour réduire la chaleur interne. L'indicateur ON/STANDBY clignote rapidement pendant les 40 premières secondes. Pendant ce temps, vous ne pouvez pas remettre le projecteur sous tension à l'aide de la touche I / ⏻.

- 3 Débranchez le câble d'alimentation de la prise murale lorsque le ventilateur s'est arrêté de tourner et l'indicateur ON/STANDBY s'allume en rouge.

### Si vous ne pouvez pas confirmer le message à l'écran

Lorsque vous ne pouvez pas confirmer le message sur écran, vous pouvez éteindre l'appareil en appuyant sur la touche I / ⏻ pendant environ une seconde.

### Remarque

**Ne débranchez pas le câble d'alimentation pendant que le ventilateur tourne. Sinon, il cessera de tourner même si la température interne est toujours élevée, ce qui peut entraîner une panne du projecteur.**

## Concernant le nettoyage du filtre à air

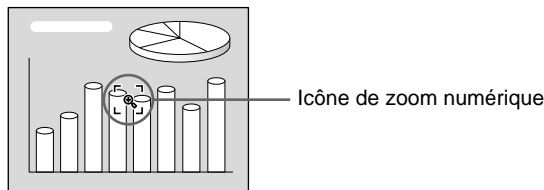
Nettoyez le filtre à air toutes les 300 heures afin d'assurer des performances optimales.

## Pour agrandir l'image (fonction de zoom numérique)

Vous pouvez agrandir un point de l'image que vous avez sélectionnée. Cette fonction peut uniquement être utilisée avec un signal provenant d'un ordinateur (à l'exception des UXGA).

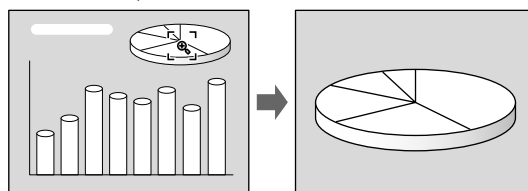
- 1 Appuyez sur la touche D ZOOM + de la télécommande.

L'icône de zoom numérique apparaît au centre de l'image.

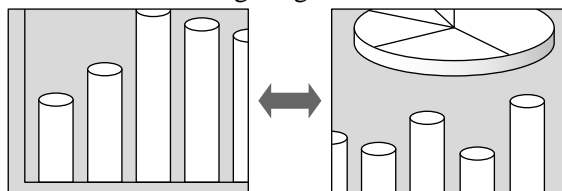


- 2 Déplacez l'icône vers le point de l'image que vous désirez agrandir. Utilisez les touches fléchées (↑/↓/←/→) pour déplacer l'icône.
- 3 Appuyez de nouveau sur la touche D ZOOM +.

L'image où se trouve l'icône est agrandie. Le taux d'agrandissement s'affiche à l'écran pendant quelques secondes. En appuyant plusieurs fois sur la touche +, la taille de l'image augmente. (taux d'agrandissement: max. 4 fois)



Utilisez les touches fléchées (↑/↓/←/→) pour faire défiler les images agrandies.



### Pour ramener l'image à ses dimensions d'origine

Appuyez sur la touche D ZOOM -. En appuyez sur la touche RESET l'image revient immédiatement à sa taille originale.

## Pour faire un arrêt sur l'image projetée (Fonction arrêt sur image)

Appuyez sur la touche FREEZE. L'indication “GEL” apparaît lorsque vous appuyez sur la touche. Cette fonction peut uniquement être utilisée avec un signal provenant d'un ordinateur (à l'exception des UXGA). Appuyez de nouveau sur la touche FREEZE pour restaurer l'écran initial.

## Pour utiliser la fonction de pointeur laser

Appuyez sur la touche LASER de la télécommande. Le pointeur laser apparaît. Le pointeur est utile pour indiquer un point particulier sur l'écran.

# Utilisation du MENU

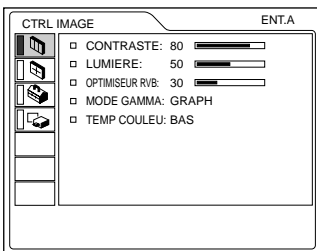
Ce projecteur est doté d'une fonction d'écran de menu permettant de réaliser différents ajustements et réglages.

## Remarque

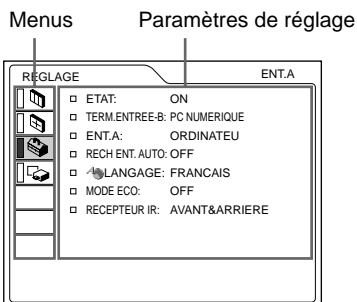
Avant cette opération, vérifiez que le commutateur de sélection PJ/NETWORK de la télécommande est réglé sur PJ. S'il est réglé sur NETWORK, le menu n'apparaîtra pas, même si vous appuyez sur la touche MENU de la télécommande.

**Pour sélectionner la langue d'affichage du menu, voir page 24 (FR).**

- 1 Appuyez sur la touche MENU.  
L'écran de menu apparaît.  
Le menu actuellement sélectionné s'affiche sous la forme d'un bouton jaune.



- 2 Utilisez la touche ↑ ou ↓ pour sélectionner un menu et appuyez ensuite sur la touche → ou ENTER.  
Le menu sélectionné apparaît.



- 3 Sélectionnez un paramètre.  
Appuyez sur la touche ↑ ou ↓ pour sélectionner un paramètre, puis appuyez sur la touche → ou ENTER.
- 4 Procédez au réglage ou à l'ajustement d'un paramètre.  
*Pour plus de détails sur le réglage des différents paramètres, reportez-vous aux pages de menu correspondantes.*

## Pour désactiver l'écran de menu

Appuyez sur la touche MENU.

L'écran de menu disparaît automatiquement si vous n'appuyez sur aucune touche pendant une minute.

## Pour restaurer des paramètres modifiés

Appuyez sur la touche RESET.

Le message "Effectué!" (terminé) apparaît sur l'écran et les réglages affichés sont restaurés à leur valeur par défaut.

Les paramètres pouvant être réinitialisés sont :

- "CONTRASTE", "LUMIERE", "COULEUR", "TEINTE", "NETTETE" et "OPTIMISEUR RVB" du menu CTRL IMAGE.
- "PHASE", "AMPL H" et "DEPL." dans le menu REGL ENTREE.
- "TRAPEZE NUMER" dans le menu REGL. INSTAL.

## A propos de la mémoire des réglages

Les réglages sont automatiquement enregistrés dans la mémoire du projecteur.

## Si aucun signal n'est entré

Lorsqu'il n'y a pas de signal d'entrée, le message "PAS D'ENTREE-Réglage impossible." apparaît à l'écran et aucun paramètre ne peut être ajusté.

## Affichage du menu

Vous pouvez régler la position d'affichage du menu, l'intensité de l'image en arrière-plan et la couleur des options de menu comme vous le souhaitez.

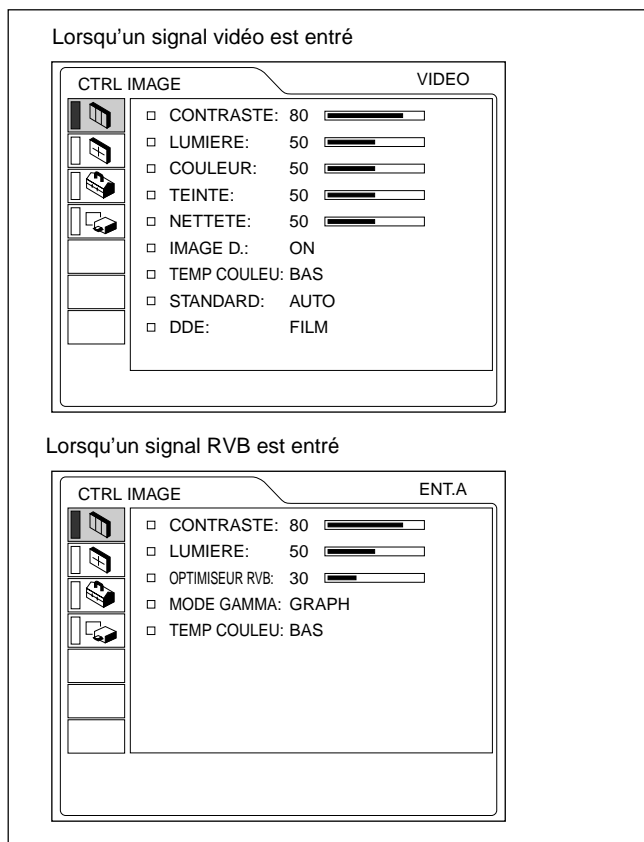
*Pour plus de détails, voir page 25 (FR).*

# Le menu CTRL IMAGE

Le menu CTRL (contrôle) IMAGE sert à régler l'image.

Les paramètres non réglables suivant le signal d'entrée ne sont pas affichés dans le menu.

(suite)



## Opération

### 1. Sélectionnez un paramètre

Utilisez la touche **↑** ou **↓** pour sélectionner un menu et appuyez ensuite sur la touche **➡** ou **ENTER**.

### 2. Ajustez le paramètre

- Pour changer le niveau de réglage :  
 Pour augmenter la valeur, appuyez sur la touche **↑** ou **➡**.  
 Pour diminuer la valeur, appuyez sur la touche **↓** ou **⬅**.  
 Appuyer sur la touche **ENTER** pour revenir à l'écran de départ.
- Pour modifier le réglage :  
 Appuyez sur la touche **↑** ou **↓** pour changer la valeur de réglage.  
 Appuyez sur la touche **ENTER** ou **⬅** pour revenir à l'écran de départ.

---

## CONTRASTE

Ajuste le contraste de l'image.  
 Plus la valeur de réglage est élevée, plus le contraste est important.  
 Plus la valeur de réglage est faible, plus le contraste est faible.

---

## LUMIERE

Ajuste la luminosité de l'image.  
 Plus la valeur de réglage est élevée, plus l'image est lumineuse.

Plus la valeur de réglage est faible, plus l'image est foncée.

---

## COULEUR

Ajuste l'intensité des couleurs.  
 Plus la valeur de réglage est élevée, plus les couleurs sont intenses.  
 Plus la valeur de réglage est faible, plus l'intensité des couleurs est faible.

---

## TEINTE

Ajuste la teinte des couleurs.  
 Plus la valeur de réglage est élevée, plus l'image prend une teinte verdâtre.  
 Plus la valeur de réglage est faible, plus l'image prend une teinte rougeâtre.

---

## NETTETE

Ajuste la netteté de l'image.  
 Plus la valeur de réglage est élevée, plus l'image est nette.  
 Plus la valeur de réglage est faible, plus les contours de l'image sont atténués.

---

## OPTIMISEUR RVB

Ajuste la netteté de l'image lorsque des signaux RVB sont entrés.  
 Plus la valeur de réglage est élevée, plus l'image est nette.  
 Plus la valeur de réglage est faible, plus les contours de l'image sont adoucis.

---

## IMAGE D. (dynamique)

Renforce la couleur noire.  
**ON:** Renforce le noir pour produire une image plus "dynamique".  
**OFF:** Restitue fidèlement les zones noires de l'image conformément au signal source.

---

## MODE GAMMA

Sélectionne une courbe de correction gamma.  
**GRAPH:** Améliore la reproduction des demi-teintes. Les photos peuvent être reproduites avec des teintes naturelles.  
**TEXTE:** Contraste le noir et le blanc. Idéal pour les images qui contiennent énormément de texte.

---

## TEMP COULEU

Réglage de la température des couleurs.  
**HAUT:** Rend les blancs plus bleuâtres.  
**BAS:** Rend les blancs plus rougeâtres.



## STANDARD (Système couleur)

Sélectionne le système couleur du signal d'entrée.

**AUTO:** Sélectionne automatiquement l'un des signaux suivants: NTSC<sub>3.58</sub>, PAL, SECAM, NTSC<sub>4.43</sub>.

**PAL-M/N:** Sélectionne automatiquement l'un des signaux suivants: PAL-M/PAL-N, NTSC<sub>3.58</sub>.

En principe, réglez-le sur AUTO.

Si l'image présente des distorsions ou n'a pas de couleurs, sélectionnez le système couleur en fonction du signal d'entrée.

## DDE (Dynamic Detail Enhancer)

Sélectionne le format de reproduction des signaux d'entrée vidéo selon les sources vidéo.

**FILM:** réglage par défaut. Reproduit les sources du film Pull-Down 2-3 avec un mouvement d'image uniforme.

Lorsqu'un signal vidéo dans un autre format que Pull-Down 2-3 est entré, PROGRESSIVE est automatiquement sélectionné.

**PROGRESSIVE:** convertit un signal vidéo en format entrelacé en un format progressif.

**OFF:** lit le signal vidéo au format entrelacé sans le convertir.

## Signaux d'entrée et paramètres de réglage/ajustables

Paramètre	Signal d'entrée			
	Vidéo ou S vidéo (Y/C)	Composant	GBR vidéo	RVB <sup>1)</sup>
CONTRASTE	●	●	●	●
LUMIERE	●	●	●	●
COULEUR	● (sauf pour N&B)	●	●	—
TEINTE	● (NTSC <sub>3.58</sub> / 4.43 uniquement)	●	●	—
NETTETE	●	●	●	—
OPTIMISEUR RVB	—	—	—	●
IMAGE D.	●	● (480/60i, 575/50i)	● (480/60i, 575/50i)	—
MODE GAMMA	—	—	● (480/60i, 575/50i)	●
TEMP COULEU	●	●	●	●
STANDARD	●	—	—	—
DDE	●	● (480/60i, 575/50i)	● (480/60i, 575/50i)	—

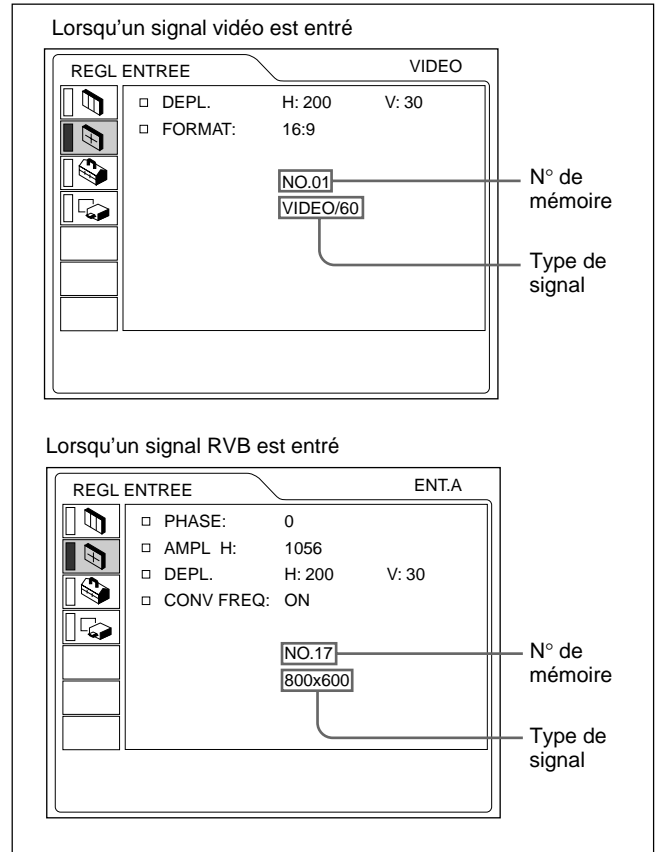
● : Ajustable/peut être réglé

— : Non ajustable/ne peut être réglé

## Le menu REGL ENTREE

Le menu REGL ENTREE sert au réglage du signal d'entrée.

Les paramètres non réglables suivant le signal d'entrée ne sont pas affichés dans le menu.



### Opération

#### 1. Sélectionnez un paramètre

Utilisez la touche **↑** ou **↓** pour sélectionner un paramètre et appuyez ensuite sur la touche **→** ou **ENTER**.

#### 2. Ajustez le paramètre

- Pour changer le niveau de réglage :  
Pour augmenter la valeur, appuyez sur la touche **↑** ou **→**.  
Pour diminuer la valeur, appuyez sur la touche **↓** ou **←**.  
Appuyez sur la touche **ENTER** pour revenir à l'écran de départ.
- Pour modifier le réglage :  
Appuyez sur la touche **↑** ou **↓** pour changer la valeur de réglage.  
Appuyez sur la touche **ENTER** ou **←** pour revenir à l'écran de départ.

1) Les signaux RVB d'un ordinateur. ENT. C peut être réglé pour les mêmes éléments que les signaux RVB (numériques).

## PHASE

Réglage de la phase des points du panneau LCD et du signal entré via les connecteurs INPUT A/B (signal analogique uniquement). Ajuste l'image encore plus finement après qu'elle ait été réglée en appuyant sur la touche APA.

Ajuste l'image pour qu'elle apparaisse plus nette.

## AMPL H

Réglage de la taille horizontale de l'image entrée via les connecteurs INPUT A/B (signal analogique uniquement).

Plus la valeur de réglage est élevée, plus la taille horizontale de l'image est grande.

Plus la valeur de réglage est basse, plus la taille horizontale de l'image est faible. Ajuste le réglage en fonction des points du signal d'entrée.

*Pour plus de détails sur la valeur adéquate pour les signaux présélectionnés, voir page 23 (FR).*

## DEPL.

Ajuste la position de l'image entrée par les connecteurs INPUT A/B (signal analogique uniquement) ou les prises VIDEO IN.

H règle la position horizontale de l'image.

V règle la position verticale de l'image.

Plus la valeur de H augmente, plus l'image se déplace vers la droite, et plus elle diminue, plus l'image se déplace vers la gauche.

Plus la valeur de V augmente, plus l'image se déplace vers le haut, et plus elle diminue, plus l'image se déplace vers le bas.

Utilisez les touches ← et → pour ajuster la position horizontale et les touches ↑ et ↓ pour la position verticale.

### Remarque

Si vous réglez TRAPEZE NUMER (page 25) et DEPL. pour le signal d'entrée UXGA, il est possible que l'image ne s'affiche pas correctement.

## FORMAT

Réglage du format de l'image.

Si vous entrez un signal 16:9 (comprimé) au départ d'un appareil comme un lecteur DVD, sélectionnez 16:9.

**4:3** : Lorsqu'une image de rapport d'écran 4:3 est entrée.

**16:9** : Lorsqu'une image de rapport d'écran 16:9 (comprimé) est entrée.

## CONV FREQ (convertisseur de balayage)

Convertit le signal pour afficher l'image en fonction de la taille de l'écran.

**ON**: Affiche l'image en fonction de la taille de l'écran. L'image perd cependant un peu de clarté.

**OFF**: Affiche l'image en faisant correspondre un pixel d'élément d'image entré à un pixel de l'écran LCD. L'image affichée est claire, mais d'une taille inférieure.

### Remarque

Cet élément s'affiche uniquement lorsque le signal de l'ordinateur (sauf pour les signaux XGA, SXGA et UXGA) est émis.

## Signaux d'entrée et paramètres de réglage/ajustables

Paramètre	Signal d'entrée			
	Vidéo ou S vidéo (Y/C)	Composant	GBR vidéo	RVB <sup>1)</sup>
PHASE	–	● (HDTV uniquement)	● (HDTV uniquement)	● (analogique uniquement)
AMPL H	–	● (HDTV uniquement)	● (HDTV uniquement)	● (analogique uniquement)
DEPL.	●	●	●	● (analogique uniquement)
FORMAT	●	● (480/60i,575/50i,480/60p,575/50p)	● (480/60i,575/50i,480/60p,575/50p)	–
CONV FREQ	–	–	–	● (inférieur à SVGA uniquement)

● : Ajustable/peut être réglé

– : Non ajustable/ne peut être réglé

### A propos du n° de mémoire présélectionné

Ce projecteur est doté de 44 types de données présélectionnées pour les signaux d'entrée (la mémoire de présélection). Le numéro de mémoire du signal d'entrée en cours et le type de signal sont affichés lorsque le signal de présélection est entré. Ce projecteur détecte automatiquement le type du signal. Lorsque le signal est enregistré dans la mémoire de présélection, une image adéquate s'affiche à l'écran en fonction du type de signal. Vous pouvez ajuster l'image à l'aide du menu REGL ENTREE.

Ce projecteur est également doté de 20 types de mémoires utilisateur pour chaque ENT. A/B (signal analogique uniquement). Lorsqu'un signal non présélectionné est entré pour la première fois, le numéro de mémoire s'affiche comme étant 0. Si le signal d'entrée est ajusté dans le menu REGL ENTREE, le réglage du signal entré via ENT. A/B (signal analogique uniquement) est enregistré. Lorsque plus de 20 mémoires utilisateur ont été enregistrées pour chaque ENT. A/B (signal analogique uniquement), la mémoire la plus récente remplace automatiquement la plus ancienne.

1) Les signaux RVB d'un ordinateur. ENT. C peut être réglé pour les mêmes éléments que les signaux RVB (numériques).

## Signaux présélectionnés

N° de mémoire	Signal présélectionné	fH (kHz)	fV (Hz)	Sync	AMPL H
1	Vidéo 60 Hz	15,734	59,940	H-nég V-nég	
2	Vidéo 50 Hz	15,625	50,000	H-nég V-nég	
3	480/60i	15,734	59,940	S sur V/Y ou	
4	575/50i	15,625	50,000	Sync composite	
5	1080/60i	33,750	60,000		
6*	640 × 350 VGA mode 1	31,469	70,086	H-pos V-nég	800
7*	VGA VESA <sup>1)</sup> 85 Hz	37,861	85,080	H-pos V-nég	832
8*	640 × 400 PC-9801 <sup>2)</sup> Normal	24,823	56,416	H-nég V-nég	848
9	VGA mode 2	31,469	70,086	H-nég V-pos	800
10	VGA VESA 85 Hz	37,861	85,080	H-nég V-pos	832
11*	640 × 480 VGA mode 3	31,469	59,940	H-nég V-nég	800
12*	Macintosh 13"	35,000	66,667	H-nég V-nég	864
13*	VGA VESA 72 Hz	37,861	72,809	H-nég V-nég	832
14*	VGA VESA 75 Hz	37,500	75,000	H-nég V-nég	840
15*	VGA VESA 85 Hz	43,269	85,008	H-nég V-nég	832
16*	800 × 600 SVGA VESA 56 Hz	35,156	56,250	H-pos V-pos	1024
17*	SVGA VESA 60 Hz	37,879	60,317	H-pos V-pos	1056
18*	SVGA VESA 72 Hz	48,077	72,188	H-pos V-pos	1040
19*	SVGA VESA 75 Hz	46,875	75,000	H-pos V-pos	1056
20*	SVGA VESA 85 Hz	53,674	85,061	H-pos V-pos	1048
21*	832 × 624 Macintosh 16"	49,724	74,550	H-nég V-nég	1152
22*	1024 × 768 XGA VESA 43 Hz	35,524	43,479	H-pos V-pos	1264
23*	XGA VESA 60 Hz	48,363	60,004	H-nég V-nég	1344
24*	XGA VESA 70 Hz	56,476	69,955	H-nég V-nég	1328
25*	XGA VESA 75 Hz	60,023	75,029	H-pos V-pos	1312
26*	XGA VESA 85 Hz	68,677	84,997	H-pos V-pos	1376
27*	1152 × 864 SXGA VESA 70 Hz	63,995	70,016	H-pos V-pos	1472
28*	SXGA VESA 75 Hz	67,500	75,000	H-pos V-pos	1600
29*	SXGA VESA 85 Hz	77,487	85,057	H-pos V-pos	1568
30*	1152 × 900 Sunmicro LO	61,795	65,960	H-nég V-nég	1504
31*	Sunmicro HI	71,713	76,047	Sync composite	1472
32*	1280 × 960 SXGA VESA 60 Hz	60,000	60,000	H-pos V-pos	1800
33	SXGA VESA 75 Hz	75,000	75,000	H-pos V-pos	1728
34*	1280 × 1024 SXGA VESA 43 Hz	46,433	43,436	H-pos V-pos	1696
35*	SGI-5	53,316	50,062	S sur V	1680
36*	SXGA VESA 60 Hz	63,974	60,013	H-pos V-pos	1696
37	SXGA VESA 75 Hz	79,976	75,025	H-pos V-pos	1688
38	SXGA VESA 85 Hz	91,146	85,024	H-pos V-pos	1728
39	1600 × 1200 UXGA VESA 60 Hz	75,000	60,000	H-pos V-pos	2160

43	480/60P (composant progressif)	31,470	60,000		
44	575/50P (composant progressif)	31,250	50,000		
45	1080/50i	28,130	50,000		
47	720/60p	45,000	60,000		
48	720/50p	37,500	50,000		

Etant donné que les données sont rappelées depuis la mémoire de présélection pour les signaux suivants, vous pouvez utiliser ces données présélectionnées en ajustant AMPL H. Effectuez le réglage fin en ajustant DEPL.

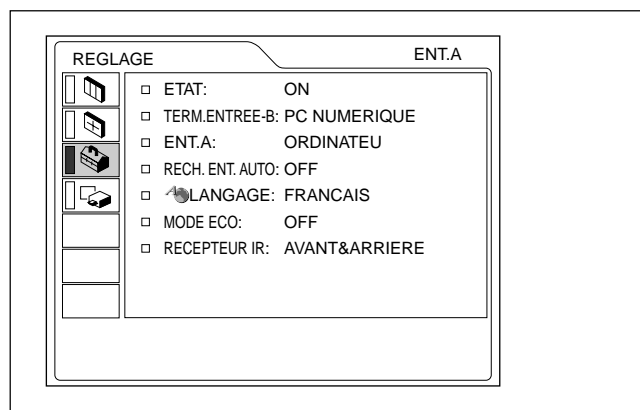
Signal	N° de mémoire	AMPL H
Super Mac-2	23	1312
SGI-1	23	1320
Macintosh 19"	25	1328
Macintosh 21"	27	1456
Sony News	36	1708
PC-9821 1280 × 1024	36	1600
WS Sunmicro	37	1664

### Remarques

- Lorsque le rapport d'écran du signal d'entrée est différent de 4:3, une partie de l'écran s'affiche en noir.
- La projection du signal UXGA n'est possible que lorsque vous réglez la fréquence d'un ordinateur à 60 Hz.
- L'entrée numérique est compatible avec les signaux repérés par des astérisques dans le tableau. Lorsque la sortie du signal numérique d'un ordinateur est différente des signaux repérés par les astérisques pour les numéros de mémoire 6 à 39, elle est automatiquement émise conformément aux spécifications du projecteur.

## Le menu REGLAGE

Le menu REGLAGE permet de modifier les réglages du projecteur.



### Opération

#### 1. Sélectionnez un paramètre

Utilisez la touche **↑** ou **↓** pour sélectionner un paramètre et appuyez ensuite sur la touche **→** ou ENTER.

(suite)

1) VESA est une marque déposée de Video Electronics Standard Association.

2) PC-98 est une marque déposée de NEC Corporation.

## 2. Changez le réglage

Appuyez sur la touche **↑** ou **↓** pour changer la valeur de réglage.

Pour revenir à l'écran original, appuyez sur la touche ENTER ou **←**.

## ETAT (affichage sur écran)

Règle l'affichage sur écran.

**ON:** Affichage de tous les écrans de menu.

**OFF:** Désactive les affichages à l'exception des menus, du message d'indication de mise hors tension et des messages d'avertissement.

Pour plus de détails sur les messages d'avertissement, voir page 31 (FR).

## TERM. ENTREE-B

Paramètre réglé sur PC ANALOGIQUE lorsque le signal RVB transmis au connecteur INPUT B RGB (DVI) est analogique et sur PC NUMERIQUE lorsque le signal RVB est numérique.

## ENT. A

Sélectionne le signal d'ordinateur, composant ou VIDEO GBR (15k RGB, DTV, HDTV) entré via les connecteurs INPUT A.

### Remarque

Si le réglage n'est pas correct, l'indication "Vérifiez réglage ENT. A." apparaît à l'écran et les couleurs de l'image deviennent anormales ou l'image ne s'affiche pas.

## RECH. ENT. AUTO

Lorsqu'il est réglé sur ON, le projecteur détecte les signaux d'entrée dans l'ordre suivant: ENT. A/ENT. B/ENT. C/VIDEO/S-VIDEO. Il indique le canal d'entrée lorsqu'il est sous tension ou lorsque la touche INPUT est enfoncée.

## LANGAGE

Sélectionne la langue d'affichage du menu système et des écrans de menu.

Les langues disponibles sont : anglais, français, allemand, italien, espagnol, japonais et chinois.

## MODE ECO

Lorsque vous sélectionnez ON, le projecteur passe en mode d'économie d'énergie si aucun signal n'est entré pendant 10 minutes.

## RECEPTEUR IR

Sélectionne les capteurs de télécommande à l'avant et à l'arrière du projecteur.

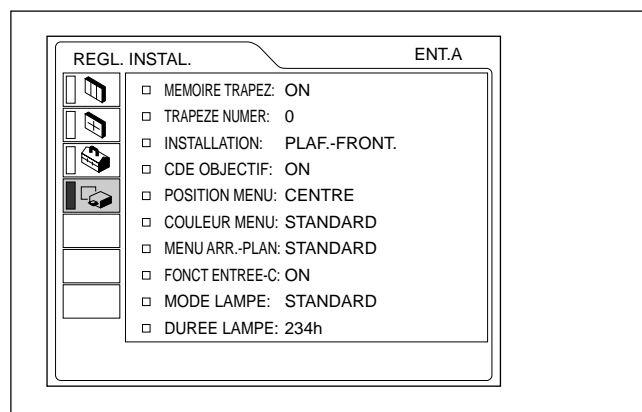
**AVANT & ARRIERE:** Active les capteurs avant et arrière.

**AVANT :** Active uniquement le capteur avant.

**ARRIERE :** Active uniquement le capteur arrière.

# Le menu REGL. INSTAL.

Le menu REGL. INSTAL. sert à modifier les réglages du projecteur.



## Opération

### 1. Sélectionnez un paramètre

Utilisez la touche **↑** ou **↓** pour sélectionner un paramètre et appuyez ensuite sur la touche **→** ou ENTER.

### 2. Ajustez le paramètre

- Pour changer le niveau de réglage :

Pour augmenter la valeur, appuyez sur la touche **↑** ou **→**.

Pour diminuer la valeur, appuyez sur la touche **↓** ou **←**.

Appuyez sur la touche ENTER pour revenir à l'écran de départ.

- Pour modifier le réglage :

Appuyez sur la touche **↑** ou **↓** pour changer le réglage.

Appuyez sur la touche ENTER ou **←** pour revenir à l'écran de départ.

---

## MEMOIRE TRAPEZ

**ON:** Le réglage TRAPEZE NUMER est conservé. Les données sont récupérées lorsque le projecteur est mis sous tension. Le réglage restera chaque fois le même.

**OFF:** TRAPEZE NUMER est remis sur 0 lorsque le projecteur est mis sous tension la fois suivante.

---

## TRAPEZE NUMER

Corrige le trapèze provoqué par l'angle de projection. Si le bord de base est trop long, choisissez une valeur négative. Si le bord supérieur est trop long, choisissez une valeur positive pour rendre l'image carrée.

### Remarque

Si vous réglez DEPL. (page 22) et TRAPEZE NUMER pour le signal d'entrée UXGA, il est possible que l'image ne s'affiche pas correctement.

---

## INSTALLATION

Sélectionne l'inversion horizontale ou verticale de l'image.

**SOL-FRONTALE:** L'image n'est pas inversée.

**PLAF.-FRONT.:** L'image est inversée horizontalement et verticalement.

**SOL-RETRO:** L'image est inversée horizontalement.

**PLAFOND-RETRO:** L'image est inversée verticalement.

### Remarque

En cas d'utilisation d'un miroir, faites bien attention aux conditions d'installation puisque l'image peut être inversée.

---

## CDE OBJECTIF

Lorsque ce paramètre est réglé sur OFF, les touches LENS CONTROL FOCUS, ZOOM et SHIFT ne fonctionnent pas.

---

## POSITION MENU

Pour la position d'affichage du menu vous avez le choix entre HAUT GAUCHE, BAS GAUCHE, CENTRE, HAUT DROITE et BAS DROITE.

---

## COULEUR MENU

Pour la teinte de l'affichage du menu, vous avez le choix entre STANDARD, CHAUDE, FROIDE, VERTE ou GRISE.

---

## MENU ARR.-PLAN

Pour régler l'intensité de l'image en arrière plan de l'affichage du menu, vous avez le choix entre SOMBRE, STANDARD et CLAIR.

---

## FONCT ENTREE-C

Réglez ce paramètre sur ON lorsque vous utilisez la fonction Windows CE.

### Remarque

Quittez toutes les applications ouvertes avant de passer de ON à OFF. Sinon, un arrêt du système peut survenir et le redémarrage du projecteur peut s'avérer impossible.

---

## MODE LAMPE

Règle la luminosité de la lampe en cours de projection.

**STANDARD:** Claire avec une luminosité normale.

**BAS:** Réduit le bruit du ventilateur et la consommation électrique.

Comparativement au réglage STANDARD, la luminosité d'une image projetée avec le réglage BAS sera faible.

Si MODE LAMPE est réglée sur BAS, la prochaine fois que le système sera mis sous tension, la lampe utilise le réglage STANDARD pendant les 3 premières minutes, puis passe sur BAS.

---

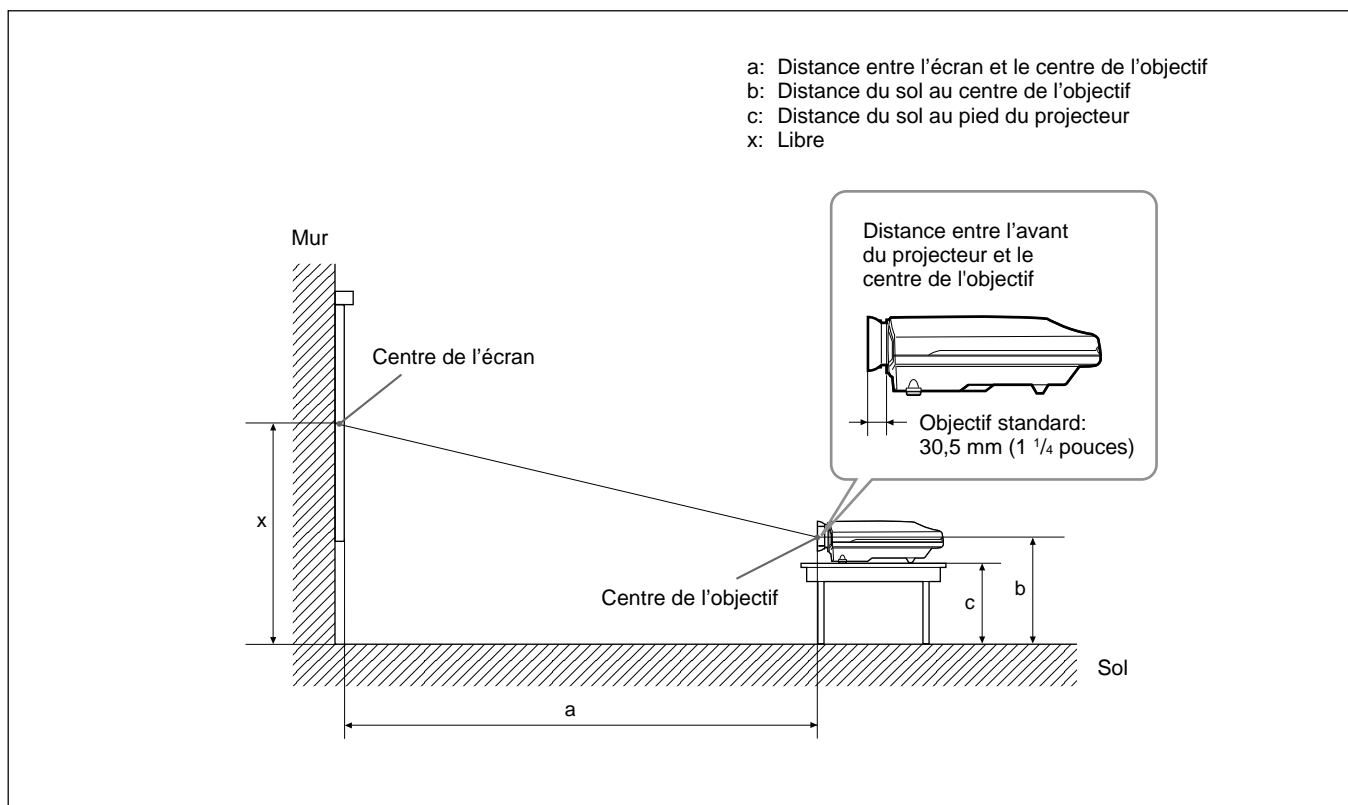
## DUREE LAMPE

Indique la durée d'activation de la lampe.

### Remarque

Seule la durée s'affiche. Vous ne pouvez pas changer l'affichage.

# Exemples d'installation



Unité: mm (pouces)

Taille de l'écran (pouces)		40	60	80	100	120	150	180	200	250	300
a	Minimum	1490 (58 3/4)	2280 (89 7/8)	3060 (120 1/2)	3850 (151 5/8)	4630 (182 3/8)	5810 (228 7/8)	6980 (274 7/8)	7770 (306)	9730 (383 1/8)	11690 (460 3/8)
	Maximum	1820 (71 3/4)	2780 (109 1/2)	3740 (147 3/8)	4700 (185 1/8)	5660 (222 7/8)	7100 (279 5/8)	8540 (336 3/8)	9500 (374 1/8)	11900 (468 5/8)	14300 (563 1/8)
b	Minimum	x-305 (x-12 1/8)	x-457 (x-18)	x-610 (x-24 1/8)	x-762 (x-30)	x-914 (x-36)	x-1143 (x-45)	x-1372 (x-4 1/8)	x-1524 (x-60)	x-1905 (x-75 1/8)	x-2286 (x-90 1/8)
	Maximum	x									
c	Minimum	x-415 (x-16 3/8)	x-567 (x-22 3/8)	x-720 (x-28 3/8)	x-872 (x-34 3/8)	x-1024 (x-40 3/8)	x-1253 (x-49 3/8)	x-1482 (x-58 3/8)	x-1634 (x-64 3/8)	x-2015 (x-79 11/32)	x-2396 (x-94 3/8)
	Maximum	x-100 (x-4)									

## Pour calculer les distances d'installation (unité: mm)

SS: diagonale de l'écran (pouces)

$$a \text{ (minimum)} = \{(SS \times 50,127/1,3102) - 73,9\} \times 1,025$$

$$a \text{ (maximum)} = \{(SS \times 64,519/1,3102) - 107,9\} \times 0,975$$

$$b \text{ (minimum)} = x - (SS/1,3102 \times 9,984)$$

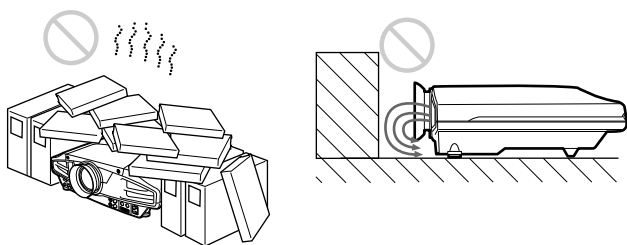
$$c \text{ (minimum)} = x - (SS/1,3102 \times 9,984 + 110)$$

# Remarques concernant l'installation

## Installation déconseillée

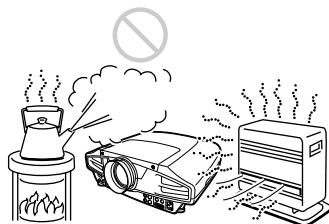
N'installez pas le projecteur dans les conditions suivantes. Ces installations peuvent entraîner un dysfonctionnement ou causer des dommages au projecteur.

### Manque de ventilation



- Assurez une circulation d'air adéquate afin d'éviter toute surchauffe interne. Ne placez pas l'appareil sur des surfaces textiles (tapis, couvertures, etc.) ni à proximité de tissus (rideaux, draperies) qui risquent d'obstruer les orifices de ventilation. Si la température intérieure augmente suite à une obstruction des orifices de ventilation, le capteur de température se déclenche et le message "Surchauffe! Lampe OFF 1 min." s'affiche. Le projecteur se met alors automatiquement hors tension après une minute.
- Laissez un espace libre de plus de 50 cm (19 3/4 pouces) autour du projecteur.
- Veillez à ce que les orifices de ventilation n'aspirent pas de particules telles que des morceaux de papier.
- Si vous placez quelque chose devant les orifices de ventilation avant, l'air expulsé du projecteur risque d'être aspiré par les orifices de ventilation situés sur le dessous, provoquant ainsi une élévation de la température interne et une activation du circuit de protection. Installez le projecteur de façon à ne pas entraver la sortie d'air.

### Exposition à la chaleur et à l'humidité



- N'installez pas l'appareil dans un endroit où la température et l'humidité sont très élevées ou dans un endroit très froid.

- Pour éviter la condensation d'humidité, n'installez pas l'appareil dans un endroit où la température peut augmenter rapidement.

### Endroit poussiéreux

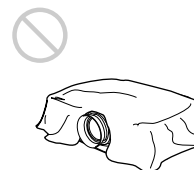


N'installez pas l'appareil dans un endroit très poussiéreux, car le filtre à air peut alors s'obstruer. La poussière obstruant le passage de l'air dans le filtre peut entraîner une augmentation de la température intérieure du projecteur. Nettoyez-le régulièrement.

### Conditions d'utilisation déconseillées

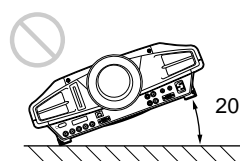
N'effectuez aucune des opérations suivantes.

### N'obstruez pas les orifices de ventilation



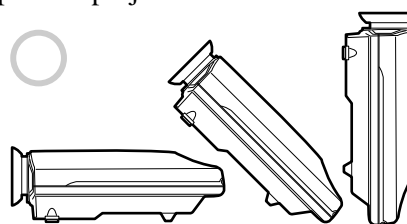
Ne recouvrez pas les orifices de ventilation du projecteur, sous peine de produire une surchauffe interne.

### Inclinaison vers la droite/la gauche



Ne faites pas fonctionner l'appareil lorsqu'il est incliné de plus de 20 degrés. N'installez pas l'appareil ailleurs que sur le sol ou au plafond. D'autres positions d'installation peuvent provoquer un dysfonctionnement.

L'angle d'inclinaison de l'avant à l'arrière n'est pas limité pour ce projecteur.



# Entretien

## Remarques

- Si la lampe se brise, consultez le personnel Sony qualifié.
- Extrayez la lampe par la poignée. Si vous touchez le module de lampe, vous risquez de vous brûler ou de vous blesser .
- Pour retirer le module de lampe, maintenez-le bien à l'horizontale et tirez perpendiculairement. N'inclinez pas le module de lampe. Si vous extrayez le module de lampe en l'inclinant et si la lampe se brise, il se peut que vous vous blessiez avec les éclats.

## Remplacement de la lampe

Lorsque la lampe est grillée ou s'affaiblit ou que "Please replace the lamp" s'affiche à l'écran, remplacez la lampe. Le message apparaît après environ 1000 heures en réglage STANDARD ou après environ 1500 heures en réglage BAS du MODE LAMPE.

Remplacez la lampe par une lampe pour projecteur LMP-F250.

La durée de vie de la lampe dépend des conditions d'utilisation.

## Remplacement de la lampe après avoir utilisé le projecteur

Mettez le projecteur hors tension et débranchez ensuite le câble d'alimentation.

Attendez au moins une heure que la lampe ait refroidi.

## Remarque

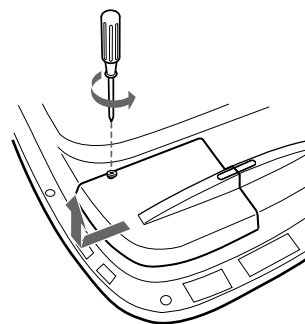
La lampe est encore brûlante après que vous avez mis le projecteur hors tension à l'aide de la touche I / ⏻. Si vous touchez la lampe, vous risquez de vous brûler les doigts. Lorsque vous voulez remplacer la lampe, attendez au moins une heure après qu'elle ait refroidi.

- 1 Placez une protection (chiffon) sous le projecteur et retournez le projecteur.

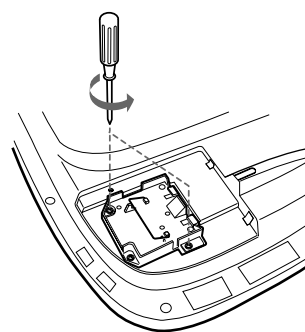
## Remarque

Pour remplacer la lampe, placez le projecteur sur une surface plane et stable.

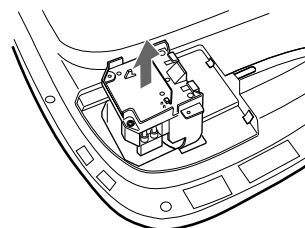
- 2 Pour ouvrir le couvercle de la lampe, faites-le glisser en desserrant une vis avec un tournevis Phillips.



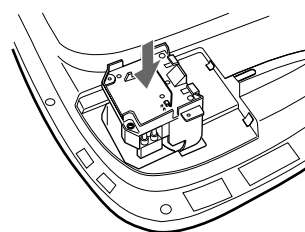
- 3 Desserrez deux vis du module de lampe avec le tournevis Phillips.



- 4 Tout en maintenant la poignée et en gardant la lampe à l'horizontale, tirez perpendiculairement.



- 5 Insérez la nouvelle lampe jusqu'à ce qu'elle se mette en place. Serrez deux vis. Repliez la poignée.



## Remarques

- Ne touchez pas la surface en verre de la lampe.
- Le projecteur ne se met pas sous tension tant que la lampe n'est pas correctement fixée.



- 6 Refermez le couvercle de la lampe et serrez la vis.
- 7 Remettez le projecteur à l'endroit.
- 8 Branchez le câble d'alimentation et activez le projecteur en mode de veille.
- 9 Appuyez, dans l'ordre, sur les touches suivantes du panneau de commande pendant moins de cinq secondes : RESET, ←, →, ENTER.

#### Remarques

- Utilisez une lampe pour projecteur LMP-F250 pour le remplacement. Si vous utilisez une autre lampe qu'une LMP-F250, le projecteur risque de présenter un dysfonctionnement.
- N'oubliez pas de mettre le projecteur hors tension et de débrancher le câble d'alimentation avant de remplacer la lampe.
- N'introduisez pas les doigts dans le logement du module de lampe et veillez à ce qu'aucun objet ou liquide ne pénètre à l'intérieur afin d'éviter tout risque d'incendie ou d'électrocution.

#### Elimination de la lampe pour projecteur usagée

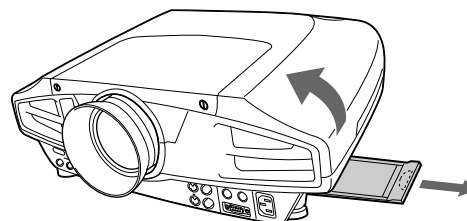
Etant donné que les matériaux utilisés dans cette lampe sont similaires à ceux d'une lampe fluorescente, vous devez éliminer les lampes pour projecteur usagées de la même manière que les lampes fluorescentes.

## Nettoyage du filtre à air

**Le filtre à air doit être nettoyé toutes les 300 heures.** Quand il devient difficile d'éliminer la poussière du filtre, remplacez le filtre.

Pour nettoyer le filtre à air, appliquez la procédure suivante :

- 1 Mettez le projecteur hors tension et débranchez le câble d'alimentation.
- 2 Soulevez le côté du projecteur puis retirez le filtre à air.



- 3 Dépoussiérez le filtre à air au moyen d'un aspirateur.
- 4 Insérez le filtre à air entièrement jusqu'à ce qu'il soit bien calé dans son emplacement.

#### Remarques

- Si vous ne nettoyez pas le filtre à air, de la poussière risque de s'accumuler et de l'obstruer. Par conséquent, la température risque d'augmenter à l'intérieur de l'appareil ce qui pourrait être la source d'un dysfonctionnement ou d'un incendie.
- Assurez-vous que vous avez bien inséré le filtre à air ; l'alimentation ne fonctionnera pas s'il n'est pas mis en place correctement.

# Dépannage

Si le projecteur ne fonctionne pas correctement, essayez d'en déterminer la cause et remédiez au problème en vous référant aux instructions ci-dessous. Si le problème persiste, adressez-vous à un personnel Sony qualifié.

## Alimentation

Symptôme	Cause	Remède
Le projecteur ne se met pas sous tension.	Le projecteur a été mis hors et sous tension à bref intervalle à l'aide de la touche I / ⏻.	Attendez environ 120 secondes avant de mettre le projecteur sous tension (voir page 18 (FR)).
	Le couvercle de la lampe est mal fixé.	Refermez correctement le couvercle de la lampe (voir page 28 (FR)).
	Le filtre à air n'est pas inséré correctement.	Insérez-le correctement. (voir page 29 (FR)).

## Image

Symptôme	Cause	Remède
Pas d'image.	Le câble est mal branché ou débranché.	Vérifiez si les raccordements ont été effectués correctement (voir pages 13 (FR) à 15 (FR)).
	La sélection d'entrée est incorrecte.	Sélectionnez correctement la source d'entrée à l'aide de la touche INPUT (voir page 16 (FR)).
	L'image a été coupée.	Appuyez sur la touche PIC MUTING pour désactiver la fonction de suppression (voir page 17 (FR)).
	Le signal de l'ordinateur n'est pas transmis vers le moniteur externe.	Transmettez le signal de l'ordinateur vers le moniteur externe (voir page 13 (FR)).
	Le signal de l'ordinateur est à la fois transmis vers l'écran LCD de l'ordinateur et le moniteur externe.	Transmettez le signal de l'ordinateur uniquement vers le moniteur externe (voir page 13 (FR)).
L'image comporte des parasites.	Il se peut que des nuisances sonores apparaissent selon la combinaison du nombre de points entré par le connecteur et du nombre de pixels sur le panneau LCD.	Changez le papier peint du bureau sur l'ordinateur connecté.
Les écrans de menu ne s'affichent pas.	Le paramètre ETAT est réglé sur OFF dans le menu REGLAGE.	Régalez ETAT sur ON dans le menu REGLAGE (voir page 24 (FR)).
L'image du connecteur INPUT B n'est pas projetée.	Le réglage de TERM. ENTREE-B dans le menu REGLAGE est incorrect.	Régalez correctement TERM. ENTREE-B. dans le menu REGLAGE, en fonction du signal d'entrée (voir page 24 (FR)).
L'image numérique du connecteur INPUT B n'est pas projetée.	Les procédures de raccordement sont incorrectes.	Recommencez les raccordements en respectant les procédures correctes (voir page 13 (FR)).
L'image de INPUT C est immobilisée.	Un problème est survenu sur le réseau.	Régalez FONCT ENTREE-C. sur OFF dans le menu REGL. INSTAL., puis de nouveau sur ON (voir page 25 (FR)).
L'équilibre des couleurs de l'image vidéo est incorrect.	Le système de couleur du signal d'entrée n'est pas correct.	Régalez le paramètre STANDARD dans le menu CTRL IMAGE pour qu'il corresponde au système de couleur du signal d'entrée (voir page 21 (FR)).

## Divers

Symptôme	Cause	Remède
L'indicateur LAMP/COVER clignote.	Le couvercle de la lampe est détaché ou le filtre à air n'est pas inséré correctement.	Fixez le couvercle de la lampe ou insérez le filtre à air correctement. (voir pages 28 (FR) et 29 (FR)).
L'indicateur LAMP/COVER s'allume.	La lampe a atteint la fin de sa durée de vie utile.	Remplacez la lampe (voir page 28 (FR)).
	La lampe a atteint une température élevée.	Attendez 120 secondes que la lampe ait refroidi et remettez le projecteur sous tension (voir page 18 (FR)).
L'indicateur TEMP/FAN clignote.	Le ventilateur est défectueux.	Consultez le personnel qualifié Sony.
L'indicateur TEMP/FAN s'allume.	La température intérieure est anormalement élevée.	Vérifiez si les orifices de ventilation ne sont pas obstrués.
Les indicateurs LAMP/COVER et TEMP/FAN s'allument.	Défaillance du circuit électrique.	Consultez le personnel qualifié Sony.
La fenêtre INPUT C n'apparaît pas ou il est impossible de sélectionner ENTREE-C.	FONCT ENTREE-C est réglé sur OFF.	Réglez FONCT ENTREE-C sur ON dans le menu REGL. INSTAL. (voir page 25 (FR)).
L'affichage du menu n'apparaît pas même lorsque vous appuyez sur la touche MENU de la télécommande.	Le commutateur de sélection PJ/NETWORK de la télécommande est réglé sur NETWORK.	Réglez le commutateur de sélection PJ/NETWORK sur PJ, puis appuyez sur la touche MENU.

## Messages d'avertissement

Consultez la liste ci-dessous pour connaître la signification des messages affichés à l'écran.

Message	Signification	Remède
Surchauffe! Lampe OFF 1 min.	La température interne est excessive.	Mettez le projecteur hors tension. Vérifiez si les orifices de ventilation ne sont pas obstrués.
Fréquence est hors limites!	Ce signal d'entrée ne peut être projeté car la fréquence est en-dehors de la plage compatible avec ce projecteur.	Entrez un signal dans la plage de fréquences compatible avec ce projecteur.
	Le réglage de la définition du signal de sortie de l'ordinateur est trop élevé.	Réglez la sortie sur XGA (voir page 13 (FR)).
Vérifiez réglage ENT. A.	Vous avez entré un signal RVB depuis l'ordinateur alors que ENT. A dans le menu REGLAGE est réglé sur COMPOSANT ou VIDEO GBR.	Réglez correctement ENT. A (voir page 24 (FR)).
Remplacer la lampe.	Le moment est venu de remplacer la lampe.	Remplacez la lampe.
Backup Battery Very Low	La batterie de secours du réseau est épuisée.	Consultez un représentant Sony qualifié.

## Messages de mise en garde

Consultez la liste ci-dessous pour connaître la signification des messages affichés à l'écran.

Message	Signification	Remède
PAS D'ENTREE	Pas de signal d'entrée	Vérifiez les connexions (voir pages 13 (FR) à 15 (FR)).
Non applicable!	Vous avez appuyé sur une touche incorrecte.	Appuyez sur la touche appropriée.
COMMANDE D'OBJECTIF BLOQUEE! DEBLOQUER?	CDE OBJECTIF dans le menu REGL. INSTAL. est réglé sur OFF.	Sélectionnez "Oui" ou réglez CDE OBJECTIF dans le menu REGL. INSTAL. sur ON, selon vos besoins.

# Spécifications

## Caractéristiques optiques

### Système de projection

Système de projection à 3  
panneaux LCD, 1 objectif

Panneau LCD Panneau LCD TFT Sony 1,3  
pouces à microlentille,  
2.359.296 pixels

(1024 × 768 pixels × 3)

Objectif Zoom/Objectif électrique environ  
1,3 × f 50,8 à 64,0 mm/F 1,7 to  
2,0

Lampe 250 W UHP

Dimensions de l'image projetée

Plage : 40 à 300 pouces (mesurés  
en diagonale)

Rendement lumineux

ANSI lumen<sup>1)</sup> 3500 lm

Distance de projection

40 pouces: 1490 à 1820 mm  
(58 <sup>3</sup>/<sub>4</sub> à 71 <sup>3</sup>/<sub>4</sub> pouces)

60 pouces: 2280 à 2780 mm  
(89 <sup>7</sup>/<sub>8</sub> à 109 <sup>1</sup>/<sub>2</sub> pouces)

80 pouces: 3060 à 3740 mm  
(120 <sup>1</sup>/<sub>2</sub> à 147 <sup>3</sup>/<sub>8</sub> pouces)

100 pouces: 3850 à 4700 mm  
(151 <sup>5</sup>/<sub>8</sub> à 185 <sup>1</sup>/<sub>8</sub> pouces)

120 pouces: 4630 à 5660 mm  
(182 <sup>3</sup>/<sub>8</sub> à 222 <sup>7</sup>/<sub>8</sub> pouces)

150 pouces: 5810 à 7100 mm  
(228 <sup>7</sup>/<sub>8</sub> à 279 <sup>5</sup>/<sub>8</sub> pouces)

180 pouces: 6990 à 8540 mm  
(275 <sup>1</sup>/<sub>4</sub> à 336 <sup>3</sup>/<sub>8</sub> pouces)

200 pouces: 7770 à 9500 mm  
(306 à 374 <sup>1</sup>/<sub>8</sub> pouces)

250 pouces: 9740 à 11900 mm  
(383 <sup>5</sup>/<sub>8</sub> à 468 <sup>5</sup>/<sub>8</sub> pouces)

300 pouces: 11700 à 14300 mm  
(460 <sup>3</sup>/<sub>4</sub> à 563 <sup>1</sup>/<sub>8</sub> pouces)

## Caractéristiques électriques

Système couleur Système NTSC<sub>3.58</sub>/PAL/SECAM/  
NTSC<sub>4.43</sub>/PAL-M/PAL-N, à  
commutation automatique/  
manuelle

Résolution 750 lignes TV horizontales (entrée  
vidéo)

1024 × 768 pixels (entrée RVB)

Signaux d'ordinateur acceptables

fH: 15 à 91 kHz

fV: 43 à 85 Hz

## Entrées/sorties

### VIDEO IN

VIDEO: type BNC

Vidéo composite : 1 Vp-p ±2 dB  
sync négative (terminaison à 75  
ohms)

S VIDEO: Y/C miniconnecteur  
DIN à 4 broches (mâle)

Y (luminance): 1 Vp-p ±2 dB  
sync négative (terminaison à 75  
ohms)

C (chrominance): salve  
0,286 Vp-p ±2 dB (NTSC)  
(terminaison à 75 ohms),  
salve 0,3 Vp-p ±2 dB (PAL)  
(terminaison à 75 ohms)

### VIDEO OUT

VIDEO : boucle type BNC

Sortie en boucle à partir des  
connecteurs VIDEO IN

S VIDEO : boucle type mini DIN à  
quatre broches (mâle)

Sortie en boucle à partir du  
connecteur S VIDEO IN

### INPUT A

RVB analogique/composante:

5BNC (femelle)

R/R-Y: 0,7 Vp-p ±2 dB

(terminaison à 75 ohms)

G : 0,7 Vp-p ±2 dB (terminaison  
à 75 ohms)

G avec sync/Y: 1 Vp-p (2 dB  
sync négative (terminaison à 75  
ohms)

B/B-Y: 0,7 Vp-p ±2 dB

(terminaison à 75 ohms)

SYNC/HD:

Entrée sync composite : 1-5

Vp-p haute impédance, positive/  
négative

Entrée sync horizontale : 1-5

Vp-p haute impédance, positive/  
négative

VD:

Entrée sync verticale : 1-5 Vp-p  
haute impédance, positive/  
négative

### INPUT B

RVB numérique/analogique :

DVI-I (TMDS)

### INPUT C

ETHER

Standard 10BASE-T/100BASE-  
TX

Logement PC CARD

Logement carte PC Type II

### MONITOR OUT

HD D-sub à 15 broches (femelle)

1) ANSI lumen est une méthode de mesure de American National Standard IT 7.228.

	R/R-Y, G/Y, B/B-Y: Unité de gain, 75 ohms
	SYNC/HD, VD: 4Vp-p (ouvert), 1Vp-p (75 ohms)
RS-232C	D-sub à 9 broches (femelle)
CONTROL S IN/PLUG IN POWER	Miniprise stéréo 5Vp-p, auto-alimenté, 5 V CC
TRIG	Mini prise
	Sous tension : 12 V CC, impédance de sortie : 4,7 kilohms
	Hors tension : 0 V
Réglementation de sécurité	UL, cUL
	DHHS
	DNHW
	FCC Class A
	IC Class A
	NEMKO
	CE (LVD, EMC)
	C-Tick

---

### Faisceau laser

Type de laser	Classe 2
Longueur d'onde	645 nm
Puissance de sortie	1 mW

---

### Caractéristiques générales

Dimensions	480 × 167 × 502 mm (19 × 6 1/2 × 19 7/8 pouces) (l/h/p)
Masse	Approx. 10,5 kg (23 lb 2 oz)
Puissance de raccordement	100 à 240 V CA, 50/60 Hz
Consommation électrique	Max. 360 W
	Mode de veille: 5 W (lorsque FONCT ENTREE-C est réglée sur ON: 10 W)
	3,6–1,5A
Dissipation de la chaleur	1228,6 BTU
Température de service	0 à 40 °C (32 à 104 °F)
Humidité de service	35 à 85 % (sans condensation)
Température de stockage	-20 à 60 °C (-4 à 140 °F)
Humidité de stockage	10 à 90 %

### Accessoires fournis

Télécommande RM-PJM50 (1)
Piles AA (R6) (2)
Bouchon d'objectif (1)
Câble d'alimentation (1)
Mode d'emploi (1)
Instructions en cas de mise en réseau (1)
Manuel d'installation destiné aux revendeurs (1)
Livret de garantie (1)

La conception et les spécifications sont sujettes à modifications sans préavis.

---

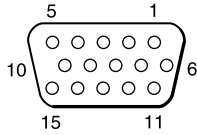
### Accessoires en option

Lampe pour projecteur LMP-F250 (de réserve)
Support de suspension pour projecteur PSS-620
Câble de moniteur
SMF-400 (HD D-sub à 15 broches (mâle) ↔ 5 × BNC (mâle))
Câble d'interface signal
SIC-10 (5 × BNC (mâle) ↔ 5 × BNC (mâle))
Objectif de projection
Zoom à focale longue VPLL-ZM101
Zoom à focale courte VPLL-ZM31
Objectif à focale courte fixe VPLL-FM21

*Il est possible que certains de ces accessoires ne soient pas disponibles dans certaines zones géographiques. Pour plus de détails, veuillez consulter votre revendeur Sony.*

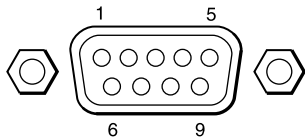
## Affectation des broches

### Connecteur MONITOR OUT (HD D-sub à 15 broches, femelle)



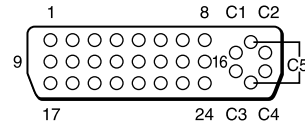
1	R	9	NC
2	G	10	GND
3	B	11	GND
4	NC	12	NC
5	GND	13	HD/C.Sync
6	GND (R)	14	VD
7	GND (G)	15	NC
8	GND (B)		

### Connecteur RS-232C (D-sub à 9 broches, femelle)



1	DCD	6	DSR
2	RX DA	7	RTS
3	TX DA	8	CTS
4	DTR	9	RI
5	GND		

### Connecteur d'entrée DVI (DVI-I, femelle)



1	T.M.D.S. Data2-	16	Hot Plug Detect
2	T.M.D.S. Data2+	17	T.M.D.S. Data0-
3	T.M.D.S. Data2/4 Shield	18	T.M.D.S. Data0+
4	T.M.D.S. Data4-	19	T.M.D.S. Data0/5 Shield
5	T.M.D.S. Data4+	20	T.M.D.S. Data5-
6	DDC Clock	21	T.M.D.S. Data5+
7	DDC Data	22	T.M.D.S. Clock Shield
8	Analog Vertical Sync	23	T.M.D.S. Clock+
9	T.M.D.S. Data1-	24	T.M.D.S. Clock-
10	T.M.D.S. Data1+	C1	Analog Red
11	T.M.D.S. Data1/3 Shield	C2	Analog Green
12	T.M.D.S. Data3-	C3	Analog Blue
13	T.M.D.S. Data3+	C4	Analog Horizontal Sync
14	+5V Power	C5	Analog Ground (analog R, G & B return)
15	Ground (return for +5V, HSync, and VSync)		

---

# Index

---

## A, B

Accessoires en option 33 (FR)  
 Accessoires fournis 33 (FR)  
 Alimentation  
   mise hors tension 18 (FR)  
   mise sous tension 16 (FR)  
 AMPL H 22 (FR)  
 Affectation des broches 34 (FR)

## C

Capteur de télécommande  
   arrière 7 (FR)  
   avant 7 (FR)  
   réglage 24 (FR)  
 CDE OBJECTIF 25 (FR)  
 Condensation 27 (FR)  
 Connecteur d'entrée 5BNC 10 (FR),  
   13 (FR)  
   affectation des broches 34 (FR)  
 Connecteur RS-232C 10 (FR)  
   affectation des broches 34 (FR)  
 CONTRASTE 20 (FR)  
 CONV FREQ (convertisseur de balayage)  
   22 (FR)  
 COULEUR 20 (FR)  
 COULEUR MENU 25 (FR)  
 Coupure  
   de l'image 17 (FR)

## D

DDE 21 (FR)  
 Dépannage 30 (FR)  
 DEPL. 22 (FR)  
 DEPL. OBJECTIF 8 (FR), 17 (FR)  
 DUREE LAMPE 25 (FR)

## E

Emplacement et fonction des commandes  
   arrière/dessous 7 (FR)  
   avant 7 (FR)  
   panneau de commande 8 (FR)  
   panneau des connecteurs 10 (FR)  
   Télécommande 11 (FR)  
 ENT. A 24 (FR)  
 ETAT (affichage sur écran) 24 (FR)  
 Exemples d'installation 26 (FR)

## F, G, H

Filtre à air 29 (FR)  
 FOCUS OBJECTIF 8 (FR), 17 (FR)  
 FONCT ENTREE-C 25 (FR)  
 Fonction APA 9 (FR), 17 (FR)  
 FORMAT 22 (FR)  
 Formats d'écran 12 (FR), 32 (FR)  
 Fonction arrêt sur image 18 (FR)

---

## I, J, K

IMAGE D. (dynamique) 20 (FR)  
 INSTALLATION 25 (FR)

## L

LANGAGE 24 (FR)  
 LUMIERE 20 (FR)

## M

MEMOIRE TRAPEZ 25 (FR)  
 Menu  
   désactivation de l'affichage du menu  
     19 (FR)  
   Menu CTRL IMAGE 19 (FR)  
   Menu REGLAGE 23 (FR)  
   Menu REGL ENTREE 21 (FR)  
   Menu REGL. INSTAL. 24 (FR)  
   utilisation du menu 19 (FR)  
 MENU ARR.-PLAN 25 (FR)  
 Menu CTRL IMAGE 19 (FR)  
 Menu REGLAGE 23 (FR)  
 Menu REGL ENTREE 21 (FR)  
 Menu REGL. INSTAL. 24 (FR)  
 Messages  
   avertissement 31 (FR)  
   mise en garde 31 (FR)  
 MODE ECO 9 (FR), 24 (FR)  
 MODE GAMMA 20 (FR)  
 MODE LAMPE 25 (FR)

## N

NETTETE 20 (FR)

## O

OPTIMISEUR RVB 20 (FR)  
 Orifices de ventilation  
   prise d'air 7 (FR)  
   sortie d'air 7 (FR)

## P, Q

PHASE 22 (FR)  
 Piles  
   installation 12 (FR)  
   remarques 12 (FR)  
 POSITION MENU 25 (FR)  
 Pour couper l'image 17 (FR)  
 Précautions 5 (FR)  
 Projection 16 (FR)

---

## R

Raccordement  
   équipement RVB 15k/à composants  
     14 (FR)  
   magnétoscope 13 (FR)  
   LAN 14 (FR)  
   ordinateur 13 (FR)  
   système à composante 14 (FR)  
 RECEPTEUR IR 24 (FR)  
 RECH ENT. AUTO 24 (FR)  
 Réglage  
   image 20 (FR)  
   mémoire de réglages 19 (FR)  
   taille/déplacement image 22 (FR)  
 Réinitialisation  
   paramètres réglables 19 (FR)  
   réinitialisation d'un paramètre 19 (FR)  
 Remarques concernant l'installation  
   27 (FR)  
   conditions d'utilisation déconseillées  
     27 (FR)  
   installation déconseillée 27 (FR)  
 Remplacement de la lampe 28 (FR)

## S

Spécifications 32 (FR)  
 STANDARD 21 (FR)  
 Support réglable 8 (FR)

---

## T, U, V, W, X, Y

TEINTE 20 (FR)  
 Télécommande  
   emplacement et fonction des  
     commandes 11 (FR)  
   fonction de pointeur laser 11 (FR),  
     18 (FR)  
   installation des piles 12 (FR)  
   touche D ZOOM 18 (F)  
   touche FUNCTION 11 (FR)  
 TEMP COULEU 20 (FR)  
 TERM. ENTREE-B 24 (FR)  
 TRAPEZE NUMER 25 (FR)

## Z

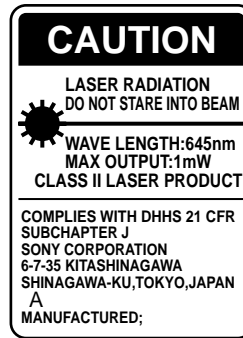
ZOOM OBJECTIF 8 (FR), 17(FR)

# ADVERTENCIA

Para evitar el riesgo de incendios o electrocución, no exponga la unidad a la lluvia ni a la humedad.

Para evitar descargas eléctricas, no abra el aparato. Solicite asistencia técnica únicamente a personal especializado.

La toma mural debe estar instalada cerca del equipo y debe accederse a ésta con facilidad.

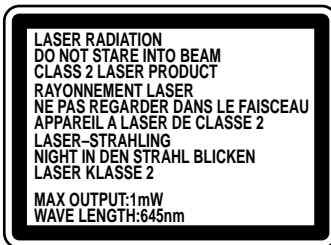
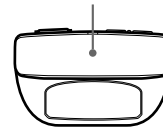


Esta etiqueta se encuentra en la parte posterior del mando a distancia.



Esta etiqueta se encuentra en la parte posterior del mando a distancia.

El haz láser se emite a través de esta ventana.



Esta etiqueta se encuentra en la parte posterior del mando a distancia.



Esta etiqueta se encuentra en el lateral del mando a distancia.

## Notas

- No oriente el láser hacia personas ni mire hacia el transmisor de láser.
- Si el mando a distancia causa fallos de funcionamiento, consulte con personal especializado Sony. Dicho mando se sustituirá por otro nuevo en función de la garantía.

## Advertencia sobre la conexión de alimentación

Utilice un cable de alimentación apropiado para el suministro de alimentación local.

	Estados Unidos, Canadá		Europa continental		Reino Unido, Irlanda, Australia, Nueva Zelanda	Japón
Tipo de enchufe	VM0233	290B	YP-12A	COX-07	— <sup>1)</sup>	YP332
Extremo hembra	VM0089	386A	YC-13B	COX-02	VM0310B	YC-13
Tipo de cable	SJT	SJT	H05VV-F	H05VV-F	N13237/CO-228	VCTF
Corriente y tensión nominal	10A/125V	10A/125V	10A/250V	10A/250V	10A/250V	7A/125V
Homologación de seguridad	UL/CSA	UL/CSA	VDE	VDE	VDE	DENTORI

1) Utilice el enchufe apropiado para su país.



# Índice

## **Descripción general**

<b>Precauciones</b> .....	<b>5 (ES)</b>
<b>Características</b> .....	<b>6 (ES)</b>
<b>Ubicación y función de los controles</b> .....	<b>7 (ES)</b>
Parte frontal .....	7 (ES)
Parte posterior/inferior .....	7 (ES)
Panel de control .....	8 (ES)
Panel de conectores .....	10 (ES)
Mando a distancia .....	11 (ES)

## **Instalación y proyección**

<b>Instalación del proyector</b> .....	<b>12 (ES)</b>
<b>Conexión</b> .....	<b>13 (ES)</b>
Conexión a un ordenador o una videgrabadora ....	13 (ES)
Conexión con un equipo RGB de 15k/ componente .....	14 (ES)
Conexión a una red LAN .....	14 (ES)
<b>Selección del idioma del menú</b> .....	<b>16 (ES)</b>
<b>Proyección</b> .....	<b>16 (ES)</b>

## **Realización de ajustes mediante el menú**

<b>Uso del MENU</b> .....	<b>19 (ES)</b>
<b>Menú CTRL IMAGEN</b> .....	<b>20 (ES)</b>
<b>Menú AJUS ENTRAD</b> .....	<b>21 (ES)</b>
<b>Menú AJUSTE</b> .....	<b>23 (ES)</b>
<b>Menú AJUSTE INST</b> .....	<b>24 (ES)</b>

## **Instalación**

<b>Ejemplos de instalación</b> .....	<b>26 (ES)</b>
<b>Notas para la instalación</b> .....	<b>27 (ES)</b>
Instalación inadecuada .....	27 (ES)
Condiciones de uso inadecuadas .....	27 (ES)

## **Mantenimiento**

<b>Mantenimiento .....</b>	<b>28 (ES)</b>
Sustitución de la lámpara .....	28 (ES)
Limpieza del filtro de aire .....	29 (ES)
<b>Solución de problemas .....</b>	<b>30 (ES)</b>

## **Otros**

<b>Especificaciones .....</b>	<b>32 (ES)</b>
<b>Índice alfabético .....</b>	<b>35 (ES)</b>

# Precauciones


## Seguridad

- Compruebe que la tensión de funcionamiento de la unidad coincide con la tensión de suministro eléctrico local.
- Si se derrama líquido dentro de la unidad o se introduce un objeto sólido en la misma, desenchúfela y haga que sea revisada por personal especializado antes de volver a utilizarla.
- Desenchufe la unidad de la toma mural si no va a utilizarla durante varios días.
- Para desconectar el cable, tire del enchufe, nunca del propio cable.
- La toma de corriente debe encontrarse cerca de la unidad y ser de fácil acceso.
- La unidad no se desconectará de la fuente de alimentación de CA (toma de corriente) mientras esté conectada a la toma mural, aunque la haya apagado.
- No mire a través del objetivo mientras la lámpara está encendida.
- No oriente el láser hacia las personas ni mire por el transmisor láser.
- No toque los orificios de ventilación ni coloque objetos cerca de los mismos, ya que el aire sale caliente.
- Tenga cuidado de no pillarse los dedos con el ajustador cuando levante el proyector. No ejerza excesiva presión sobre la parte superior del proyector con el ajustador fuera.
- Asegúrese de agarrar ambos lados del proyector con las manos al transportar el proyector.

## Iluminación

- Para obtener la mejor calidad posible de imagen, la parte frontal de la pantalla no debe exponerse a la luz solar ni a iluminaciones directas.
- Se recomienda instalar una lámpara proyectora en el techo. Cubra las lámparas fluorescentes para evitar la disminución de la relación de contraste.
- Cubra con telas opacas las ventanas que estén orientadas hacia la pantalla.
- Es preferible instalar el proyector en una sala cuyo suelo y paredes no se compongan de materiales que reflejen la luz. Si el suelo y las paredes reflejan la luz, se recomienda cambiar el color de la moqueta y del papel pintado de la pared por otro oscuro.

## Prevención del recalentamiento interno

Después de desactivar la alimentación con la tecla I /  del mando a distancia o del panel de control, no desconecte la unidad de la toma de corriente mientras el ventilador de enfriamiento se encuentra en funcionamiento.

### Precaución

El proyector dispone de orificios de ventilación de aspiración en la parte inferior y orificios de ventilación (exhaustación) en la parte frontal. No bloquee estos orificios ni coloque nada junto a ellos, ya que puede producirse recalentamiento interno, causando el deterioro de la imagen o daños al proyector.

## Limpieza

- Para mantener el exterior como nuevo, límpielo periódicamente con un paño suave. Las manchas persistentes pueden eliminarse con un paño ligeramente humedecido con una solución detergente poco concentrada. No utilice nunca disolventes concentrados, como diluyentes, bencina o limpiadores abrasivos, ya que dañan el acabado.
- Evite tocar el objetivo. Para eliminar el polvo de éste, emplee un paño seco y suave. No utilice un paño húmedo, soluciones detergentes ni diluyentes.
- Limpie el filtro cada 300 horas.

## Embalaje

Conserve la caja y materiales originales de embalaje, ya que le resultarán útiles cuando vaya a transportar la unidad. Para obtener la máxima protección, embale la unidad tal como la recibió de fábrica.

## Proyector LCD

El proyector LCD está fabricado con tecnología de alta precisión. No obstante, es posible que aparezcan continuamente pequeños puntos negros y/o brillantes (rojos, azules o verdes) en dicho proyector. Se trata de un resultado normal del proceso de fabricación y no indica ningún fallo de funcionamiento.

# Características

## Alto brillo y alta calidad de imagen

### • Alto brillo

El panel LCD de alta relación de apertura con microlente y la lámpara UHP de 250 W permiten obtener un alto brillo (salida de luz de 3500 ANSI lumen) y una excelente uniformidad en la imagen.

### • Alta resolución

Mediante la adopción de tres paneles XGA de 1,3 pulgadas y aproximadamente 790.000 píxeles, este proyector puede proyectar imágenes nítidas con resolución de 1024 × 768 píxeles para entrada RGB y 750 líneas de TV horizontales para entrada de vídeo.

### • Alto rendimiento de imagen

La tecnología DDE (Dynamic Detail Enhancer), desarrollada reciente y originalmente por Sony, permite convertir la señal de vídeo de formato entrelazado a formato progresivo, por lo que se obtienen imágenes detalladas. La tecnología también reproduce las fuentes de film en formato 2-3 Pull-Down con movimientos uniformes de la imagen. El potenciador RGB interno proporciona imágenes RGB más nítidas. Este proyector también incluye la corrección Gamma Digital 3D de 10 bits que permite obtener una óptima uniformidad de imagen.

## Configuración útil y flexible

### • Zoom y enfoque motorizados y función de desplazamiento del objetivo

El proyector incorpora un objetivo de zoom y enfoque motorizados de 1,3 aumentos, con el que puede cambiar el tamaño de la imagen proyectada sin tener que mover el proyector. La función de desplazamiento del objetivo permite instalar el proyector en diferentes ubicaciones, sin tener que preocuparse de la distorsión trapezoidal. Igualmente, existen tres objetivos opcionales disponibles para el proyector en función de la condición de configuración.

### • Objetivo en posición central

El proyector está diseñado para localizar el objetivo en el centro de la unidad. De este modo se consigue una fácil configuración, ya que el centro del objetivo se alinea con el centro de la pantalla.

• **Instalación con inclinación (frontal y posterior)**  
Puede instalar el proyector inclinándolo 90 grados en la parte posterior o 90 grados en la parte frontal. Puede utilizarse un espejo para la proyección posterior.

### • Instalación doble apilada

Mediante la función de desplazamiento del objetivo, es posible apilar dos proyectores y aumentar, de este modo, el brillo de la imagen.

## Compatibilidad con exploración múltiple

### • Conectores DVI y 5BNC

El proyector incluye el conector DVI (Interfaz Visual Digital), el conector actualizado de entrada digital, que permite conectarlo a equipos digitales o analógicos RGB que tengan salida DVI. Los conectores de entrada 5BNC permiten conectarlo a una estación de trabajo de señales de salida de alta resolución y a un ordenador a larga distancia.

El proyector tiene 44 tipos de datos predefinidos para las señales de entrada en la memoria, de forma que pueda proyectarse una imagen clara en la pantalla con sólo conectar el equipo y pulsar la tecla APA (Alineación automática de píxeles).

### • Admisión de distintas señales de entrada

Este proyector admite señales de vídeo compuestas, S vídeo y de componente, así como señales RGB de 15k, DTV, HDTV, VGA<sup>1)</sup>, SVGA<sup>1)</sup>, XGA<sup>1)</sup>, SXGA<sup>1)</sup> y UXGA<sup>1)</sup> (fV=60 Hz).

### • Convertidor de exploración incorporado

Este proyector dispone de un convertidor de exploración incorporado que convierte la señal de entrada en un valor no superior a 1024 × 768 píxeles.

### • Compatible con seis sistemas de color

Es posible seleccionar automática o manualmente el sistema de color NTSC<sup>3.58</sup>, PAL, SECAM, NTSC<sup>4.43<sup>2)</sup></sup>, PAL-M o PAL-N.

## Otras funciones - Función adicional

### • Compatibilidad de red

El proyector está equipado con una ranura PC CARD y un conector ETHER, que le permite conectarse a una red LAN alámbrica o inalámbrica.

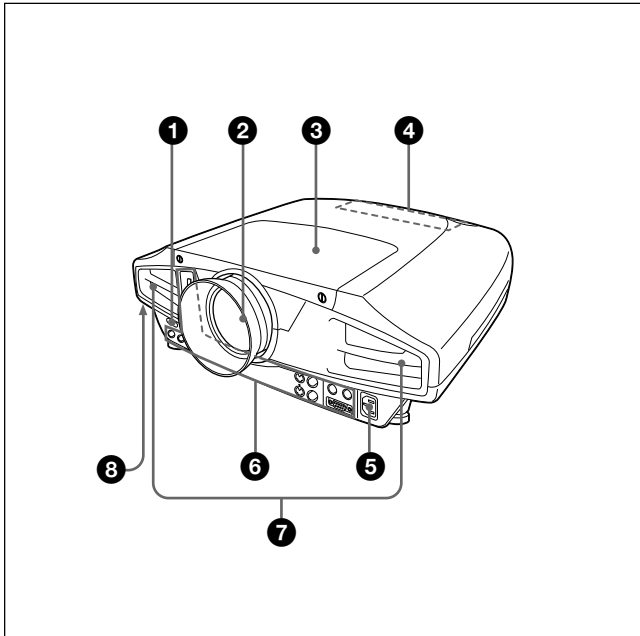
*Para obtener información detallada sobre la función de red, consulte el Manual de instrucciones de red proporcionado.*

1) VGA, SVGA, XGA, SXGA y UXGA son marcas comerciales registradas de International Business Machines Corporation, EE.UU.

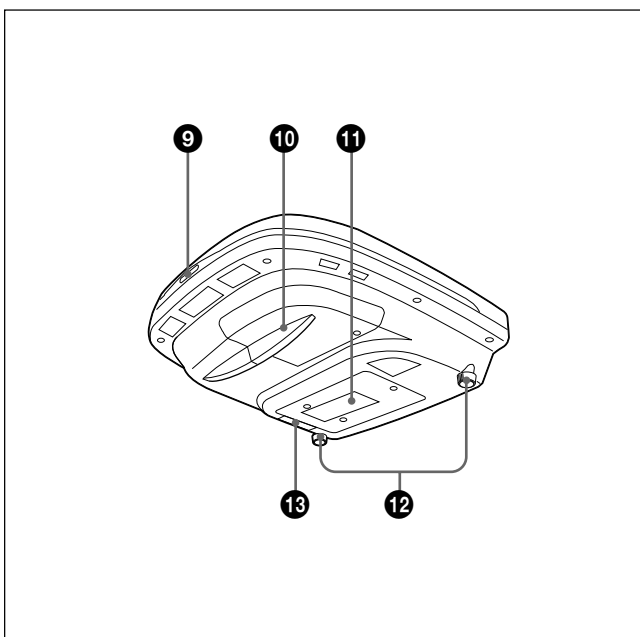
2) NTSC<sup>4.43</sup> es el sistema de color utilizado al reproducir vídeos grabados en NTSC en videograbadoras del sistema NTSC<sup>4.43</sup>.

# Ubicación y función de los controles

## Parte frontal



## Parte posterior/inferior



### 1 Detector frontal de mando a distancia

### 2 Objetivo

Retire la tapa del objetivo antes de la proyección.

### 3 Cubierta del objetivo

### 4 Panel de control

Para obtener más información, consulte "Panel de control" en la página 8 (ES).

### 5 Clavija AC IN

Conecta el cable de alimentación de CA suministrado.

### 6 Panel de conectores

Para obtener más información, consulte la página 10 (ES).

### 7 Orificios de ventilación (exhaustación)

### 8 Bloqueo de seguridad

Se conecta a un cable opcional de seguridad (Kensington).

El bloqueo de seguridad corresponde al sistema de seguridad "MicroSaver®" de Kensington. Si necesita más información, póngase en contacto con

Kensington  
2855 Campus Drive, San Mateo,  
CA 94403

En Norteamérica  
Teléfono: 800-235-6708  
Fax: 800-247-1317

Fuera de Norteamérica  
Teléfono: 847-541-9500

Dirección en Internet:  
<http://www.kensington.com/>

### 9 Detector posterior de mando a distancia

### 10 Cubierta de la lámpara

### 11 Orificios de ventilación (aspiración)

#### Notas

- No sitúe nada junto a los orificios de ventilación, ya que puede producirse recalentamiento interno.
- No toque los orificios de ventilación ni coloque objetos cerca de los mismos, ya que el aire sale caliente.

## 12 Ajustador

Utilice los ajustadores para mantener el nivel del proyector si se instala en una superficie irregular. Ajuste la altura de forma que se nivele el proyector. El proyector se eleva girando los ajustadores en el sentido de las agujas del reloj y se baja girándolos en el sentido contrario.

## 13 Filtro de aire

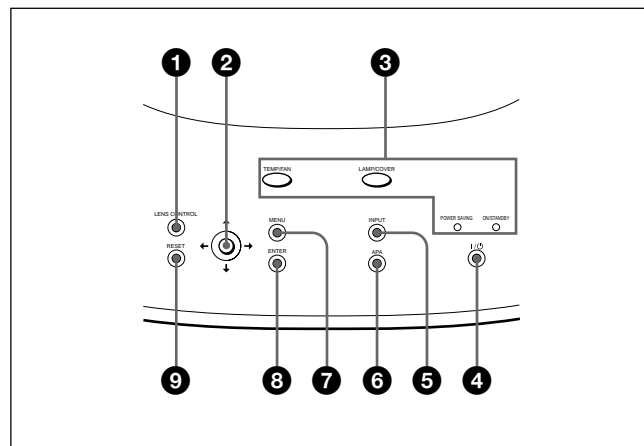
Para extraer el filtro de aire, tire de él horizontalmente.

Para obtener más información, consulte “Limpieza del filtro de aire” en la página 29 (ES).

### Nota

Limpie el filtro de aire cada 300 horas para garantizar un nivel de rendimiento óptimo.

## Panel de control



### 1 Tecla LENS CONTROL

Inicia el modo de ajuste de enfoque, zoom o desplazamiento. Utilice las teclas de flecha para realizar el ajuste. Cada vez que se pulsa este botón, se selecciona el modo FOCO OBJETIVO, ZOOM OBJETIVO y DESPLAZ OBJETIVO por este orden. El modo seleccionado actualmente se muestra en la pantalla.

**FOCO OBJETIVO:** Selecciona el modo de ajuste de enfoque. A continuación, ajuste el enfoque mediante las teclas de flecha. Pulse la tecla ↑ o → para enfocar una imagen hacia atrás, y la tecla ↓ o ← para enfocar una imagen hacia delante. No es posible seleccionar FOCO OBJETIVO cuando se utiliza el objetivo opcional.

**ZOOM OBJETIVO:** Selecciona el modo de ajuste de zoom. A continuación, ajuste el tamaño de la imagen mediante las teclas de flecha. Pulse la tecla ↑ o → para aumentar el tamaño de la imagen y la tecla ↓ o ← para reducir el tamaño de la imagen. No es posible seleccionar ZOOM OBJETIVO cuando utiliza el objetivo opcional.

**DESPLAZ OBJETIVO:** Selecciona el modo de ajuste de desplazamiento. A continuación, puede ajustar la posición vertical de la imagen usando las teclas de flecha. Pulse la tecla ↑ o → para desplazar la imagen hacia arriba y la tecla ↓ o ← para desplazarla hacia abajo.

### 2 Teclas de flecha (↑/↓/←/→)

Se emplean para seleccionar el menú o realizar distintos ajustes.

**3 Indicadores****TEMP (Temperatura)/FAN**

- Se ilumina si la temperatura del interior del proyector aumenta en exceso.
- Parpadea si el ventilador sufre una avería.

**LAMP/COVER**

- Se ilumina si se agota la vida útil de la lámpara o si su temperatura es alta.
- Parpadea si la cubierta de la lámpara o la del filtro de aire no está firmemente cerrada.

**POWER SAVING**

Se ilumina cuando el proyector se encuentra en el modo de ahorro de energía. Si AHORRO ENERGIA se ajusta en SI en el menú AJUSTE, el proyector entrará en el modo de ahorro de energía si no se introduce ninguna señal durante 10 minutos. Aunque la lámpara se apague, el ventilador de enfriamiento continúa funcionando. En el modo de ahorro de energía, no funciona ninguna tecla durante los primeros 40 segundos. Dicho modo se cancela al recibirse una señal o al pulsar cualquier tecla.

**ON/STANDBY**

- Se ilumina en color rojo cuando el cable de alimentación de CA se enchufa en la toma mural. Una vez en el modo de espera, podrá encender el proyector con la tecla | / ⏻.
- Se ilumina en color verde al activar la alimentación.
- Parpadea en color verde mientras funciona el ventilador de enfriamiento después de desactivar la alimentación con la tecla | / ⏻. El ventilador funciona durante unos 120 segundos después de desactivar la alimentación. El indicador ON/STANDBY parpadea rápidamente durante los primeros 40 segundos. Durante este espacio de tiempo, no es posible volver a activar la alimentación con la tecla | / ⏻.

*Para obtener información detallada sobre los indicadores LAMP/COVER y TEMP/FAN, consulte la página 31 (ES).*

**4 Tecla | / ⏻ (encendido / espera)**

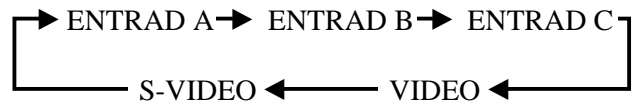
Enciende el proyector cuando éste se encuentra en modo de espera. El indicador ON/STANDBY se ilumina en color verde al activar la alimentación.

**Para desactivar la alimentación, pulse la tecla | / ⏻ dos veces siguiendo el mensaje en pantalla, o pulse y mantenga pulsada la tecla durante un segundo aproximadamente.**

*Para obtener información detallada sobre los pasos para desactivar la alimentación, consulte “Para desactivar la alimentación” en la página 18 (ES).*

**5 Tecla INPUT**

Selecciona la señal de entrada. Cada vez que pulse la tecla, la señal de entrada cambiará de la siguiente forma:



ENTRAD C no se muestra cuando FUNCION ENTR C está en la posición NO en el menú AJUSTE INST.

**6 Tecla APA (Alineación automática de píxeles)**

Ajusta automáticamente la imagen para que se proyecte de la forma más nítida posible mientras se introduce una señal desde el ordenador. También ajusta automáticamente el desplazamiento (arriba/abajo e izquierda/derecha) al mismo tiempo. (Sólo cuando se introduce una señal RGB (analógica) desde el ordenador.)

**Nota**

Pulse la tecla APA cuando aparezca la imagen completa en pantalla. Si hay bordes negros alrededor de la imagen, la función APA no se activará adecuadamente y la imagen puede extenderse más allá de la pantalla.

**7 Tecla MENU**

Se utiliza para ajustar el enfoque, zoom y desplazamiento o para mover el cursor o realizar diferentes ajustes en el menú.

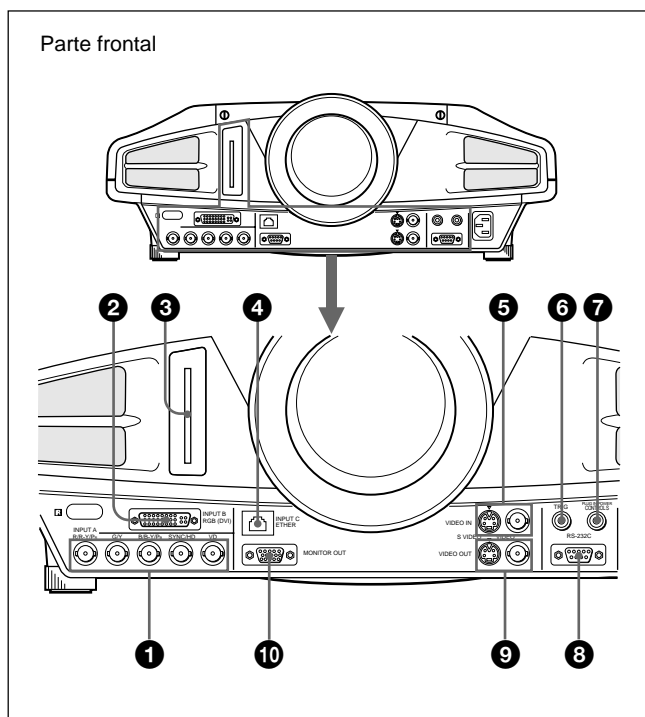
**8 Tecla ENTER**

Introduce los ajustes de los elementos en el sistema de menús.

**9 Tecla RESET**

Restaura el valor definido de fábrica de un elemento. Esta tecla funciona cuando el menú o un elemento de ajuste se muestra en pantalla.

## Panel de conectores



### 1 Conectores de entrada INPUT A 5BNC (conectores R/R-Y/P<sub>R</sub>, G/Y, B/B-Y/P<sub>B</sub>, SYNC/HD, VD) (tipo BNC)

Conéctelos a un ordenador o una videograbadora de alta resolución donde las señales se transmitan a gran distancia; por ejemplo, si el proyector se ha colgado en el techo.

Según el equipo conectado, se seleccionará la señal de ordenador, de componente (R-Y/Y/B-Y), HDTV o DTV.

### 2 Conector INPUT B RGB (DVI)

Conéctelo al equipo con la salida DVI (RGB digital o analógico) mediante un cable DVI disponible en el mercado.

### 3 Ranura INPUT C PC CARD (Tipo II)

Es posible conectar una tarjeta de PC para LAN inalámbrica o de memoria para PC según sus requisitos.

*Para obtener más información, consulte "Instalación de una tarjeta de PC" en la página 14 (ES).*

### 4 Conector INPUT C ETHER (10BASE-T)

Conecte a un ordenador de la misma red LAN con el cable LAN cuando utilice la función de red del proyector.

### 5 Conectores VIDEO IN

Se conectan a equipos de vídeo externos, como una videograbadora.

**S VIDEO (mini DIN de 4 pines):** Se conecta a la salida de vídeo S (salida de vídeo Y/C) de un equipo de vídeo.

**VIDEO (tipo BNC):** Se conecta a la salida de vídeo compuesta.

### 6 Toma TRIG (salida de activador) (minitoma monofónica)

La señal se transmite desde esta toma al equipo conectado tanto si el proyector está encendido como si está apagado. (Esto no es una fuente de alimentación para equipos externos). La señal de salida tiene 12 V CC al activar la alimentación del proyector. La señal de salida tiene 0 V CC al desactivar la alimentación del proyector.

### 7 Toma CONTROL S/PLUG IN POWER (salida de CC de 5V) (minitoma estéreo)

Se conecta a las tomas de salida de control S del equipo Sony.

Se conecta a la toma CONTROL S OUT del mando a distancia suministrado cuando se emplea con cable. En este caso, no es preciso instalar las pilas en dicho mando, ya que esta toma suministra la alimentación.

### 8 Conector RS-232C (D-sub de 9 pines, hembra)

Se conecta a un ordenador para controlar el proyector desde dicho ordenador.

### 9 Conectores VIDEO OUT

**S VIDEO (mini DIN de 4 pines):** Empleado como salida derivada mediante el conector S VIDEO IN.

**VIDEO (tipo BNC):** Empleado como salida derivada del conector VIDEO IN.

### 10 Conector MONITOR OUT (HD D-sub de 15 pines, hembra)

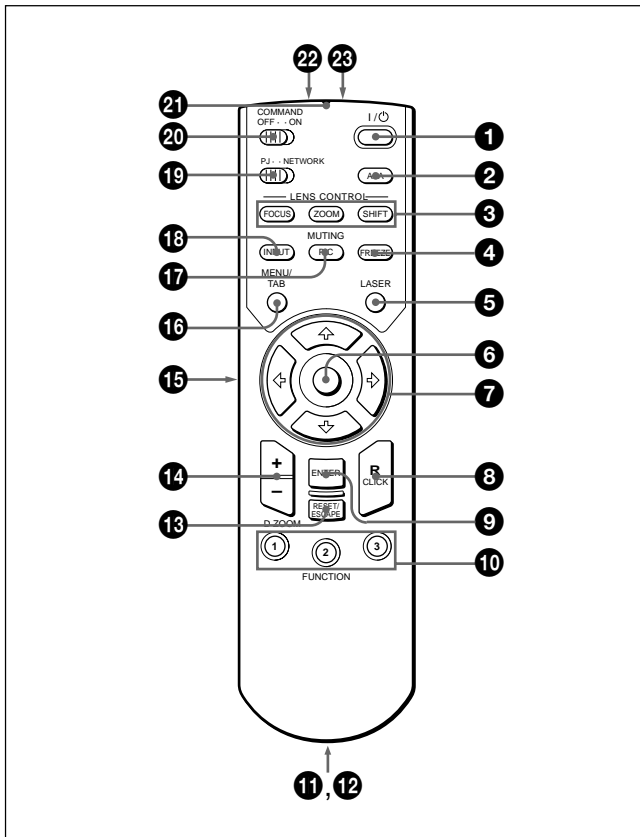
Se conecta a la entrada de vídeo del monitor. Envía las señales del canal seleccionado al conector INPUT A (5BNC) o INPUT B (DVI).

Este conector no produce ninguna señal desde el conector DVI cuando la señal de entrada es digital.



## Mando a distancia

Las teclas con los mismos nombres que las del panel de control tienen un funcionamiento idéntico.



### Notas sobre el haz láser

- No mire por el transmisor láser.
- No oriente el láser hacia las personas.

#### 1 Tecla I / ⏻

#### 2 Tecla APA (Alineación automática de píxeles)

#### 3 Tecla LENS CONTROL FOCUS/ZOOM/SHIFT

#### 4 Tecla FREEZE

Se utiliza para congelar la imagen proyectada. Para cancelar la imagen congelada, pulse la tecla de nuevo.

#### 5 Tecla LASER

El transmisor láser emite un haz láser mientras se mantiene esta tecla pulsada.

#### 6 Ratón

Funciona como el ratón de la ventana INPUT C de este proyector cuando el interruptor de selección PJ/NETWORK está ajustado en NETWORK.

#### 7 Teclas de flecha (↑/↓/←/→)

#### 8 Tecla R (derecha) CLICK

Cuando el interruptor PJ/NETWORK se encuentra en la posición NETWORK, esta tecla funciona como el botón derecho de un ratón en la ventana INPUT C del proyector.

#### 9 Tecla ENTER

#### 10 Teclas FUNCTION 1/2/3

Funciona cuando el interruptor PJ/NETWORK está ajustado en NETWORK.

Cuando la ventana INPUT C aparece en el proyector, puede iniciar una aplicación con sólo pulsar una tecla FUNCTION. Para utilizar esta función, asigne una aplicación a una tecla FUNCTION. La asignación a la tecla FUNCTION 3 se fija en la pantalla de teclado de software.

Para obtener más información sobre cómo asignar una aplicación a las teclas FUNCTION, consulte el Manual de instrucciones de red.

#### 11 Compartimiento para el asa

Fija un asa.

#### 12 Toma CONTROL S OUT (minitoma estéreo)

Se conecta a la toma CONTROL S IN del proyector mediante el cable de conexión (no suministrado) al utilizar el mando a distancia con cable. En este caso, no es necesario instalar las pilas, ya que el mando se alimenta a través de la toma CONTROL S IN del proyector.

#### 13 Tecla RESET/ESCAPE

**Cuando el interruptor PJ/NETWORK está ajustado en PJ:** Funciona como la tecla RESET.

**Cuando el interruptor PJ/NETWORK está ajustado en NETWORK:** Funciona como la tecla ESCAPE del teclado cuando se muestra la ventana INPUT C.

#### 14 Tecla D ZOOM +/-

Aumenta la imagen hasta la ubicación en pantalla que se desee.

+: El icono aparece al pulsar la tecla + una vez. Este icono indica el punto que se desea aumentar. Utilice una tecla de flecha (↑/↓/←/→) para desplazar el icono hasta el punto que va a aumentar. Pulse la tecla + varias veces hasta que la imagen quede aumentada según sus preferencias.

–: Al pulsar la tecla – se reduce la imagen aumentada con la tecla D ZOOM +.

#### 15 Tecla L (izquierda) CLICK

Cuando el interruptor PJ/NETWORK se encuentra en la posición NETWORK, esta tecla funciona como el botón izquierdo de un ratón en la ventana INPUT C del proyector.

#### 16 Tecla MENU/TAB

**Cuando el interruptor PJ/NETWORK está ajustado en PJ:** Funciona como la tecla MENU.

**Cuando el interruptor PJ/NETWORK está ajustado en NETWORK:** Funciona como la tecla TAB del teclado cuando se muestra la ventana INPUT C.

### 17 Tecla PIC MUTING

Desactiva la imagen. Vuelva a pulsarla para recuperar la imagen.

### 18 Tecla INPUT

### 19 Interruptor de selección PJ/NETWORK

Con el fin de utilizar el mando a distancia para operaciones de red, ajuste el interruptor en NETWORK. Ajuste el interruptor en PJ con el fin de utilizar el mando a distancia para operaciones normales que no sean de red.

### 20 Interruptor COMMAND ON/OFF

Si ajusta este interruptor en OFF, no funcionará ninguna tecla del mando a distancia. De esta forma, se ahorra la energía de las pilas.

### 21 Indicador de transmisión

Se ilumina al pulsar alguna tecla del mando a distancia.

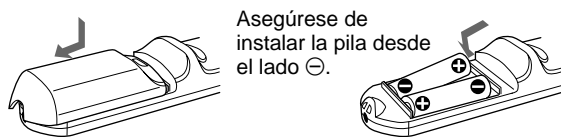
Este indicador no se ilumina al utilizar el puntero láser.

### 22 Transmisor de rayos infrarrojos

### 23 Transmisor láser

## Instalación de las pilas

- Empuje y deslice la tapa para abrirla y, a continuación, instale dos pilas tamaño AA (R6) (suministradas) con la polaridad correcta.



- Vuelva a colocar la tapa.

### Notas sobre las pilas

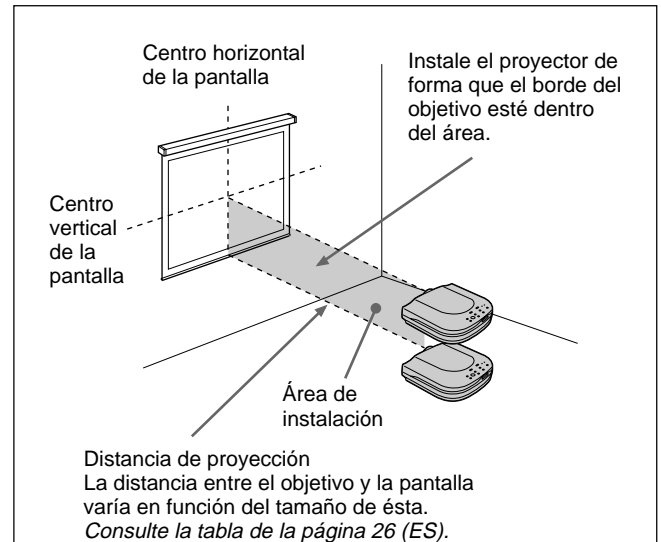
- Asegúrese de que la orientación de las pilas es correcta al insertarlas.
- No mezcle pilas usadas con nuevas, ni diferentes tipos de pilas.
- Si no va a utilizar el mando a distancia durante mucho tiempo, extraiga las pilas para evitar daños por fugas. Si se producen fugas, extraiga las pilas, seque el compartimento de éstas y sustituya las pilas por otras nuevas.

### Notas sobre el funcionamiento del mando a distancia

- Compruebe que no haya nada que obstruya el haz de rayos infrarrojos entre el mando a distancia y el detector de control remoto del proyector.
- El margen de operación está limitado. Cuanto menor sea la distancia entre el mando a distancia y el proyector, mayor será el ángulo de control del mando a distancia sobre el proyector.

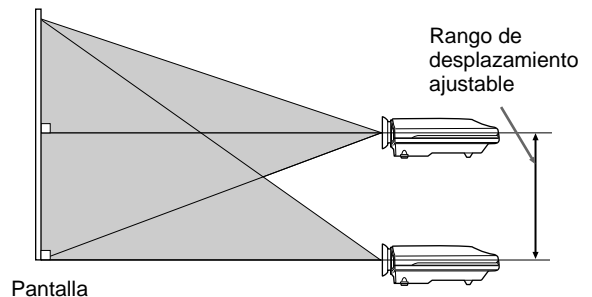
# Instalación del proyector

En esta sección se describen las diferentes maneras de instalar el proyector.



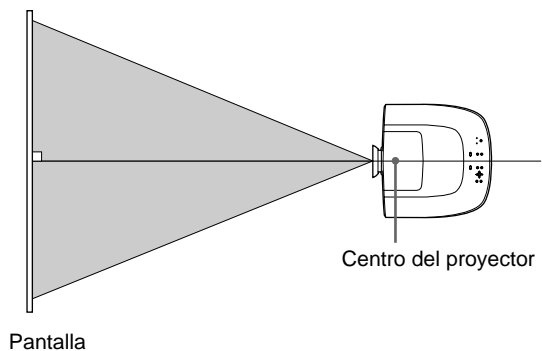
Ajuste la posición vertical y horizontal del proyector.

### Posición vertical (vista lateral)



Puede ajustar el ángulo de proyección realizando el ajuste de desplazamiento (página 17 (ES)). Instale el proyector de forma que el centro del objetivo se encuentre entre el borde inferior de la pantalla y el centro de ésta.

### Posición horizontal (vista superior)



Ajuste la posición horizontal del proyector de forma que el centro del objetivo se alinee con el centro horizontal de la pantalla.

# Conexión

## Al realizar conexiones, asegúrese de:

- apagar todos los equipos antes de realizar cualquier conexión.
- utilizar los cables adecuados para cada conexión.
- insertar los enchufes de los cables correctamente. Si no inserta los enchufes por completo, puede producirse ruido. Para desconectar un cable, asegúrese de tirar del enchufe, nunca del propio cable.

## Conexión a un ordenador o una videograbadora

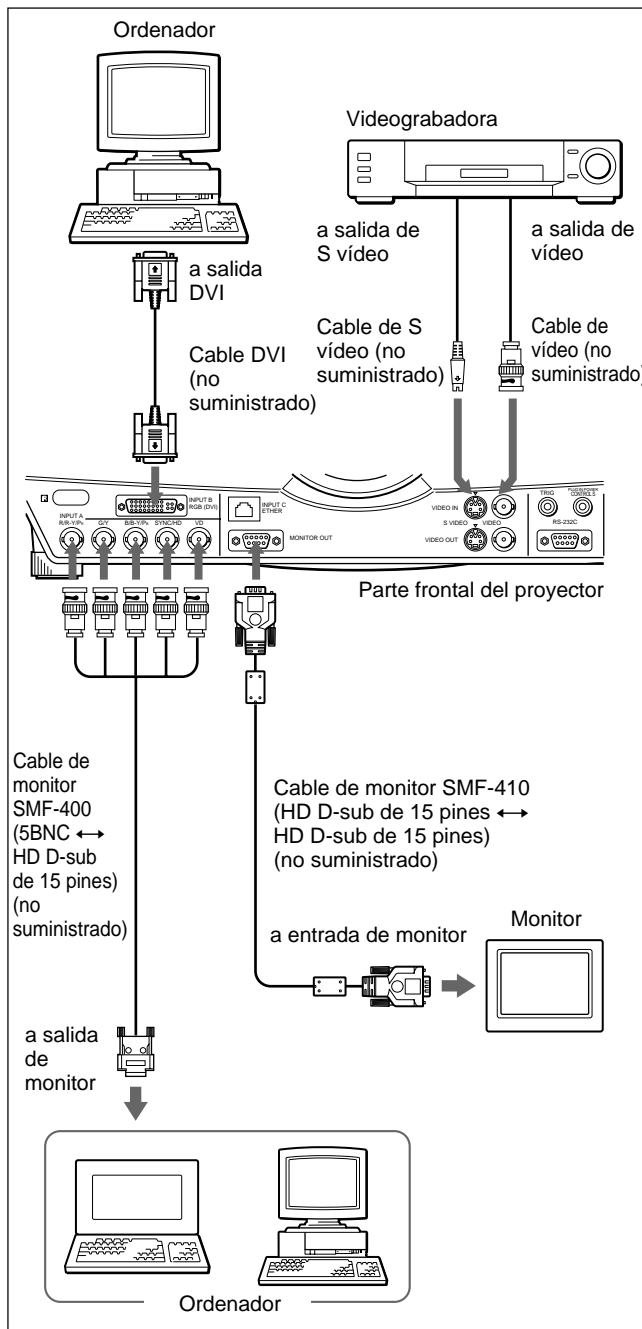
En esta sección se describe cómo conectar el proyector a un ordenador o un equipo de vídeo. Consulte también el manual de instrucciones del equipo que vaya a conectar.

### Notas

- Esta unidad acepta señales VGA, SVGA, XGA SXGA o UXGA (60 Hz). No obstante, se recomienda ajustar la señal de salida del ordenador en XGA.
- Si ajusta el ordenador, como uno portátil tipo IBM PC/AT<sup>1)</sup> compatible, para que envíe la señal a la pantalla del ordenador y al monitor externo, la imagen del monitor externo puede no aparecer correctamente. En tal caso, ajuste el modo de salida del ordenador para que envíe la señal sólo al monitor externo. *Para obtener más información, consulte el manual de instrucciones suministrado con el ordenador.*
- Este proyector cumple con DDC1 y DDC2B (Plug & Play). (DDC1 y DDC2B representan la norma Canal de datos de visualización (DDC<sup>TM</sup>)<sup>2)</sup> de VESA.) Al conectar un sistema central DDC1, el proyector se sincroniza con V.CLK, que cumple con la norma VESA, y envía EDID (Datos extendidos de identificación de la pantalla) a la línea de datos. Al conectar un sistema central DDC2B, el proyector activa automáticamente el modo de comunicación correcto.

El conector INPUT B RGB (DVI) cumple la norma VESA DDC2B. Si el ordenador o la tarjeta gráfica es compatible con DDC, active la alimentación del equipo de la siguiente forma:

- 1 Según la señal de entrada, ajuste el elemento TERMIN ENTR B del menú AJUSTE en PC ANALOGICO o PC DIGITAL.
- 2 Conecte el proyector al ordenador con el cable DVI.
- 3 Active la alimentación del proyector.
- 4 Arranque el ordenador.



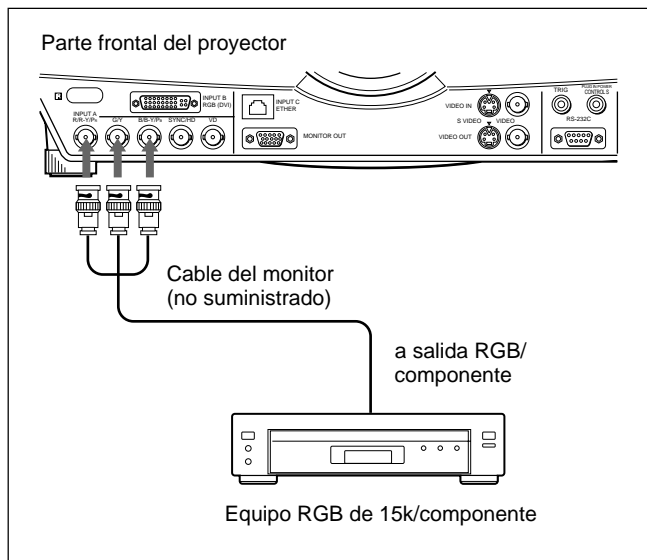
### Notas

- Defina ENTRAD A en el menú AJUSTE en ORDENADOR cuando conecte el ordenador al conector INPUT A. *Para obtener información detallada, consulte la página 24 (ES).*
- Cuando conecte un ordenador Macintosh<sup>3)</sup> equipado con conector de salida de vídeo con dos filas de terminales en el conector INPUT A, utilice un adaptador de enchufe comercializado.
- Seleccione PC DIGITAL o PC ANALOGICO mediante TERMIN ENTR B en el menú AJUSTE según la entrada de señal. *Para obtener información detallada, consulte la página 24 (ES).*

1) IBM y PC/AT son una marca comercial y una marca comercial registrada de International Business Machines Corporation, EE.UU.  
 2) DDC<sup>TM</sup> es una marca comercial registrada de Video Electronics Standard Association.  
 3) Macintosh es una marca registrada de Apple Computer, Inc.

## Conexión con un equipo RGB de 15k/componente

En esta sección se describe cómo conectar el proyector con una equipos RGB de 15k/componente. Consulte también el manual de instrucciones del equipo que vaya a conectar.



### Notas

- Ajuste la relación de aspecto mediante ASPECTO en el menú AJUS ENTRAD en función de la señal de entrada.  
*Para obtener información detallada, consulte la página 22 (ES).*
- Seleccione la señal de entrada mediante ENTRAD A del menú AJUSTE.  
*Para obtener información detallada, consulte la página 24 (ES).*
- Utilice la señal de sincronización compuesta al introducir la señal de sincronización externa del equipo RGB de 15k/componente.

### Conexión de un dispositivo de alta definición 1035/60i

Puesto que la relación de pantalla de una imagen de alta definición es de 16:9 y se visualizan 576 líneas en la dirección vertical, la imagen mostrada no es de alta definición.

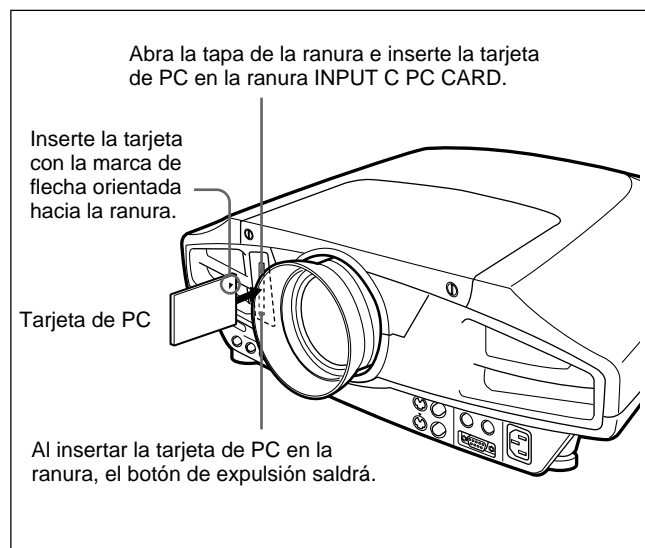
## Conexión a una red LAN

Este proyector puede utilizarse en una red. La instalación de la tarjeta de PC para LAN inalámbrica o el uso del conector ETHER permite conectar el proyector a una LAN inalámbrica o fija. También puede instalar una tarjeta de memoria para PC. En esta sección se describe cómo realizar la conexión a una red LAN y cómo instalar una tarjeta de PC. Siempre que conecte el proyector a una red LAN, defina FUNCION ENTR C en el menú AJUSTE INST en SI.

*Para obtener información detallada, consulte la página 25 (ES).*

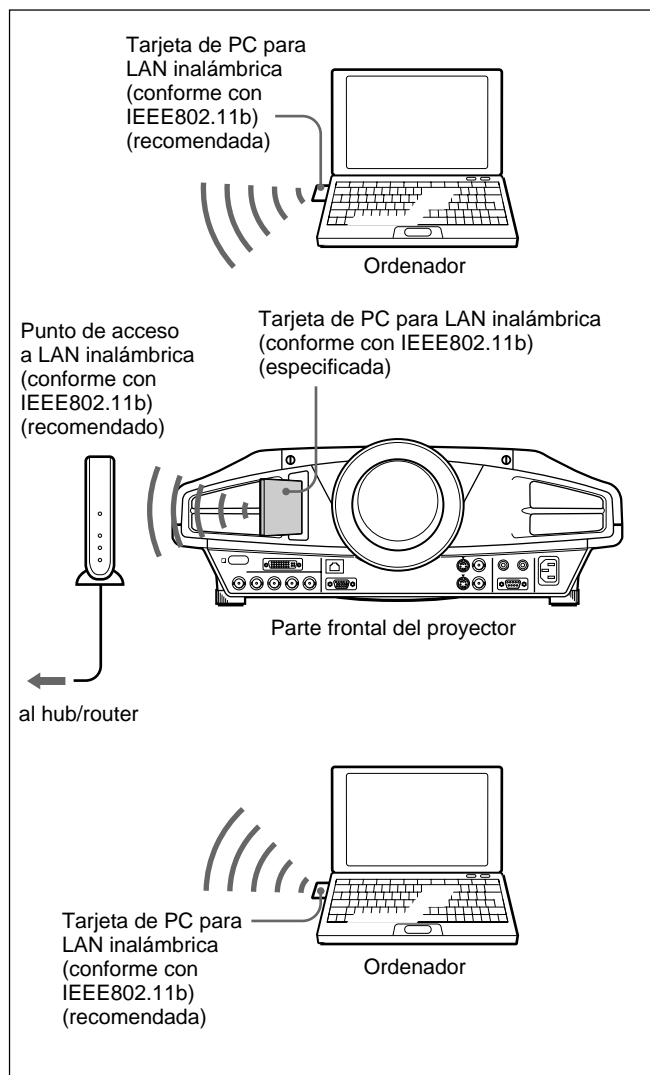
### Instalación de una tarjeta de PC

Cuando utilice una tarjeta de PC para LAN inalámbrica, inserte la tarjeta en la ranura INPUT C PC CARD.



Para extraer la tarjeta de PC de la ranura, pulse el botón de expulsión.

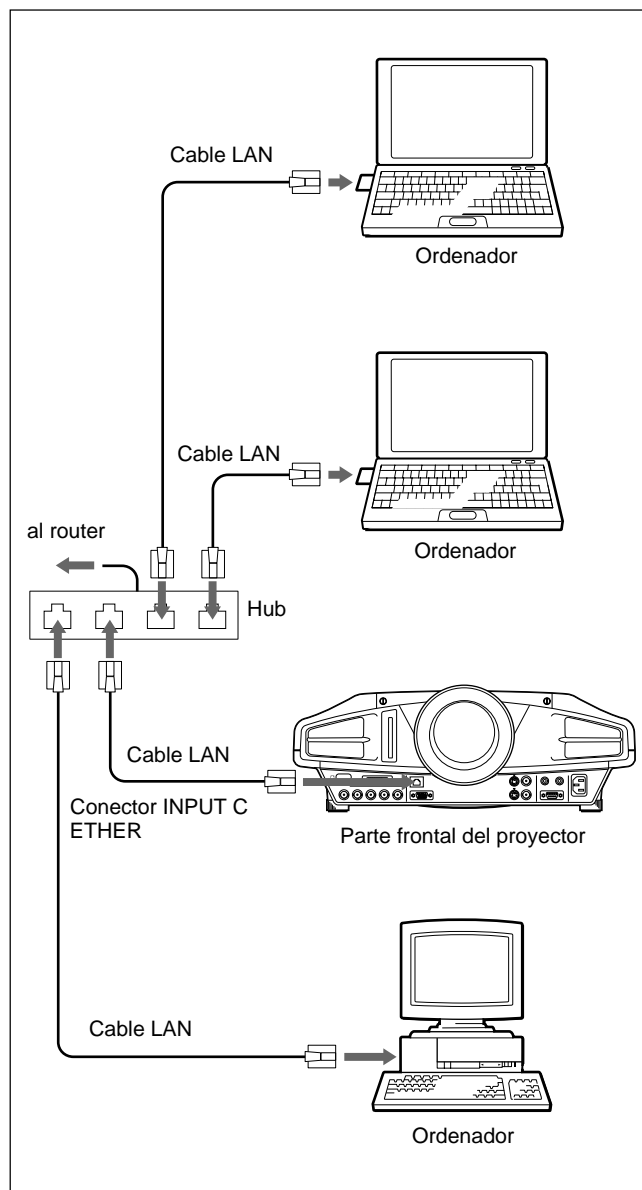
## Conexión mediante la tarjeta de PC para LAN inalámbrica



### Notas

- Para obtener información detallada sobre la tarjeta de PC recomendada o el punto de acceso a LAN inalámbrica, consulte el documento adjunto “Tarjeta de PC/punto de acceso a LAN inalámbrica recomendados”.
- Cuando utilice la red LAN, debe ajustar la dirección IP. Para obtener información detallada sobre el ajuste de la dirección IP, etc., consulte el “Manual de instrucciones de red” adjunto.

## Conexión mediante el conector INPUT C ETHER



## Instalación de una tarjeta de memoria para PC

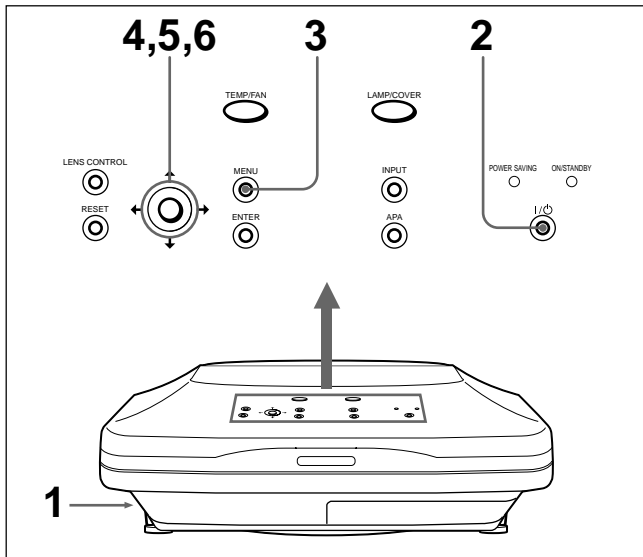
Si almacena el archivo creado con Microsoft PowerPoint<sup>1)</sup> en una tarjeta de memoria y la inserta en la ranura INPUT C PC CARD, podrá reproducir una presentación sin conectar un ordenador.

*Para instalar y extraer la tarjeta de memoria, consulte “Instalación de una tarjeta de PC” en la página 14 (ES). Para obtener información detallada sobre la tarjeta de PC recomendada, consulte el documento adjunto “Tarjeta de PC/punto de acceso a LAN inalámbrica recomendados”.*

1) PowerPoint es una marca comercial registrada de Microsoft Corporation en Estados Unidos y/o en otros países.

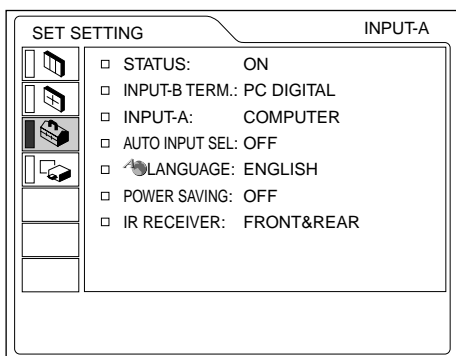
## Selección del idioma del menú

Es posible seleccionar el idioma para el menú y demás indicaciones en pantalla entre 7 idiomas disponibles. El ajuste de fábrica es ENGLISH.



- 1** Enchufe el cable de alimentación de CA en la toma mural.
- 2** Pulse la tecla I / ⏻ para activar la alimentación.
- 3** Pulse la tecla MENU.  
Aparecerá el menú.
- 4** Pulse la tecla ↑ o ↓ para seleccionar el menú SET SETTING (AJUSTE) y, a continuación, pulse la tecla → o ENTER.

Aparecerá el menú SET SETTING.



- 5** Pulse la tecla ↑ o ↓ para seleccionar LANGUAGE (IDIOMA) y, a continuación, pulse la tecla → o ENTER.
- 6** Pulse la tecla ↑ o ↓ para seleccionar un idioma y, a continuación, pulse la tecla ← o ENTER.

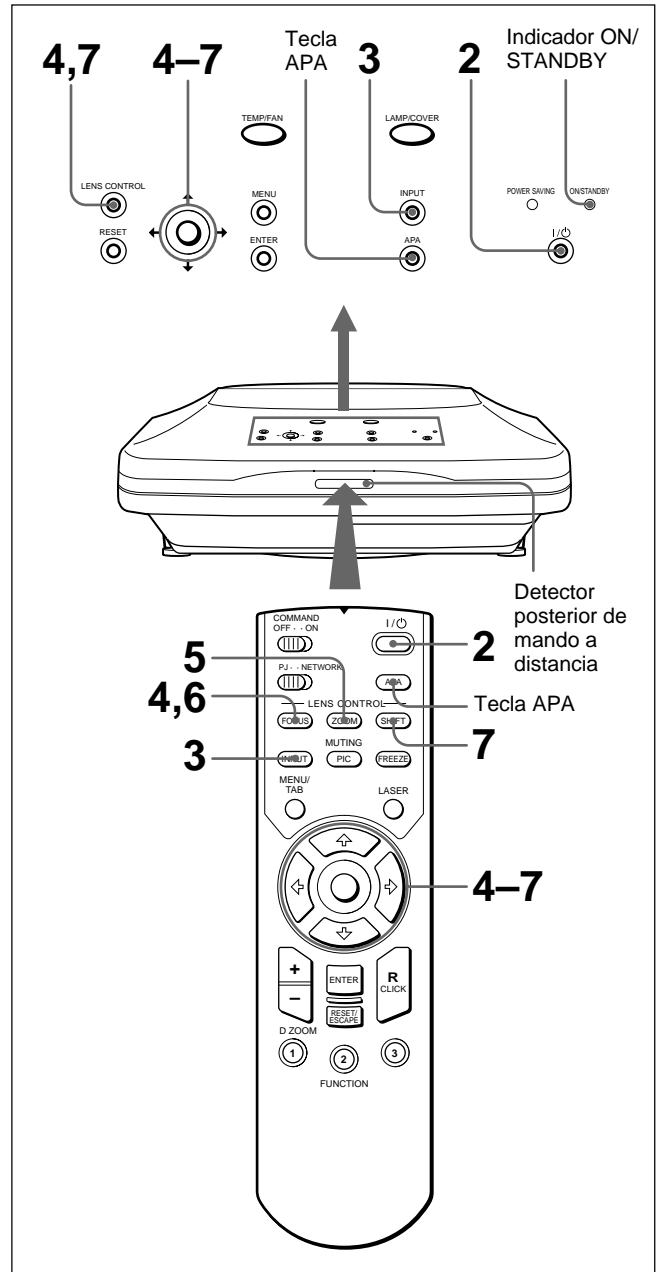
El menú aparecerá en el idioma seleccionado.

### Para que desaparezca el menú

Pulse la tecla MENU.

El menú desaparecerá automáticamente si no pulsa ninguna tecla durante un minuto.

## Proyección



- 1** Una vez conectados todos los equipos por completo, enchufe el cable de alimentación de CA en la toma mural.

El indicador ON/STANDBY se ilumina en color rojo y el proyector entra en el modo de espera.

- 2** Pulse la tecla I / ⏻.

El indicador ON/STANDBY se ilumina en color verde.

- 3** Encienda el equipo conectado al proyector. Pulse la tecla INPUT para seleccionar la fuente de entrada.

- ENTRAD A:** Selecciona la entrada de señal de vídeo del conector INPUT A.
- ENTRAD B:** Selecciona la entrada de señal de vídeo del conector INPUT B.
- ENTRAD C:** Selecciona la visualización de la ventana Windows CE.
- VIDEO:** Selecciona la entrada de señal de vídeo de la toma VIDEO (VIDEO IN).
- S-VIDEO:** Selecciona la entrada de señal de vídeo de la toma S VIDEO (VIDEO IN).

**4** Pulse la tecla FOCUS y después la tecla  $\uparrow$  o  $\downarrow$  en el mando a distancia para ajustar el enfoque.

“FOCO OBJETIVO” aparece en la pantalla durante el ajuste.

**5** Pulse la tecla ZOOM y después la tecla  $\uparrow$  o  $\downarrow$  en el mando a distancia para ajustar el tamaño de la imagen.

“ZOOM OBJETIVO” aparece en la pantalla durante el ajuste.

**6** Pulse la tecla FOCUS y las teclas de flecha en el mando a distancia para ajustar de nuevo el enfoque.

**7** Pulse la tecla SHIFT y después la tecla  $\uparrow$  o  $\downarrow$  en el mando a distancia para ajustar la posición vertical de la imagen.

“DESPLAZ OBJETIVO” aparece en la pantalla durante el ajuste.

### Nota sobre los ajustes de enfoque y de zoom

Si ha instalado el objetivo opcional VPLL-ZM101, VPLL-ZM31 o VPLL-FM21, realice los ajustes de enfoque y zoom manualmente.

### Para utilizar las teclas del panel de control de ajuste del enfoque, zoom y desplazamiento

Pulse la tecla LENS CONTROL varias veces para mostrar el modo de ajuste que desee. Cada vez que la pulse, el modo cambiará según este orden: “FOCO OBJETIVO”, “ZOOM OBJETIVO” y “DESPLAZ OBJETIVO”. A continuación, pulse las teclas de flecha para ajustar.

#### Nota

Si mira por el objetivo mientras proyecta, puede dañarse los ojos.

### Para desactivar la imagen

Pulse la tecla PIC MUTING del mando a distancia. Para recuperar la imagen, pulse de nuevo la tecla PIC MUTING.

## Para obtener imágenes con la mayor nitidez posible

Es posible obtener imágenes con la calidad adecuada al introducirse una señal desde el ordenador. Pulse la tecla APA.

La imagen se ajusta automáticamente para proyectarse con nitidez.

#### Notas

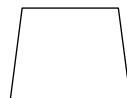
- Ajuste la señal cuando se muestra una imagen fija en pantalla.
- Pulse la tecla APA cuando aparezca la imagen completa en pantalla. Si hay bordes negros alrededor de la imagen, la función APA no se activará adecuadamente y la imagen puede extenderse más allá de la pantalla.
- Si cambia la señal de entrada o vuelve a conectar un ordenador, vuelva a pulsar la tecla APA para obtener la imagen apropiada.
- La pantalla muestra “AJUSTANDO”. Vuelva a pulsar la tecla APA durante el ajuste para recuperar la pantalla original.
- La pantalla muestra “Completado!” cuando la imagen se ha ajustado adecuadamente. Es posible que la imagen no se ajuste apropiadamente en función de los tipos de señales de entrada.
- Ajuste los elementos en el menú AJUS ENTRAD cuando ajuste la imagen manualmente.  
*Para obtener más información, consulte la página 21 (ES).*

## Para corregir la distorsión trapezoidal

Cuando la imagen proyectada presente una distorsión trapezoidal, realice un ajuste de desplazamiento utilizando la tecla SHIFT.

Si la imagen sigue apareciendo con distorsión trapezoidal, corríjala en DIST TRAP DIG en el menú AJUSTE INST.

**Si la longitud del borde inferior es mayor que la del superior como se muestra en la siguiente figura:**



Ajuste el valor en negativo.

**Si la longitud del borde superior es mayor que la del inferior como se muestra en la siguiente figura:**



Ajuste el valor en positivo.

*Para obtener más información sobre “DIST TRAP DIG”, consulte la página 25 (ES).*

## Para desactivar la alimentación

- 1 Vuelva a pulsar la tecla I / ⏻.

“DESACTIVAR?” aparecerá en pantalla.

### Nota

El mensaje desaparecerá si pulsa cualquier tecla excepto I / ⏻, o si no pulsa ninguna durante cinco segundos.

- 2 Pulse la tecla I / ⏻.

El indicador ON/STANDBY parpadea en color verde y el ventilador sigue en funcionamiento durante aproximadamente 120 segundos para reducir el recalentamiento interno. Además, el indicador ON/STANDBY parpadea rápidamente durante los primeros 40 segundos. Durante este espacio de tiempo, no será posible volver a activar la alimentación con la tecla I / ⏻.

- 3 Desenchufe el cable de alimentación de CA de la toma mural una vez que el ventilador se haya detenido y que el indicador ON/STANDBY se ilumine en color rojo.

### Si no puede confirmar el mensaje en pantalla

Si no puede confirmar el mensaje en pantalla en una determinada condición, puede desactivar la alimentación manteniendo pulsada la tecla I / ⏻ durante un segundo aproximadamente.

### Nota

**No desenchufe el cable de alimentación de CA mientras el ventilador se encuentre en funcionamiento, ya que en caso contrario, dicho ventilador se detendrá aunque el recalentamiento interno sea alto, pudiendo producirse averías en el proyector.**

## Limpeza del filtro de aire

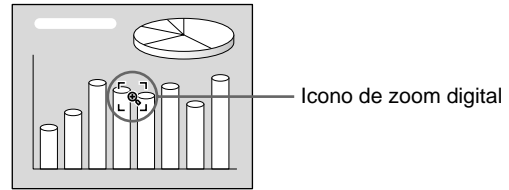
Limpe el filtro de aire cada 300 horas para garantizar un nivel de rendimiento óptimo.

## Para aumentar la imagen (función de zoom digital)

Puede aumentar el punto de la imagen que seleccione. Esta función se activa solamente cuando se introduce una señal de un ordenador (excepto para UXGA).

- 1 Pulse la tecla D ZOOM + del mando a distancia.

El icono de zoom digital aparecerá en el centro de la imagen.



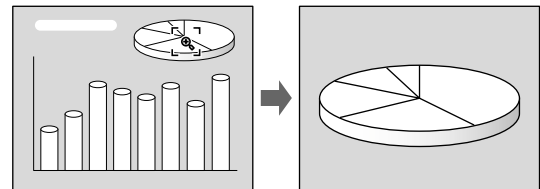
- 2 Desplace el icono hasta el punto de la imagen que desee aumentar. Utilice las teclas de flecha (↑/↓/←/→) para desplazar el icono.

- 3 Vuelva a pulsar la tecla D ZOOM +.

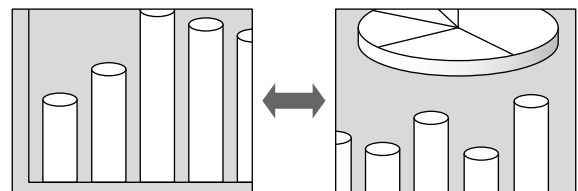
La imagen en la que se encuentre el icono aumentará.

La relación de aumento aparece en pantalla durante unos segundos.

Si pulsa la tecla + varias veces, el tamaño de la imagen aumentará. (relación de aumento: máx. 4 veces)



Utilice las teclas de flecha (↑/↓/←/→) para desplazar la imagen aumentada.



### Para que la imagen recupere su tamaño original

Pulse la tecla D ZOOM -. Basta con pulsar la tecla RESET para que la imagen recupere su tamaño original de forma inmediata.

## Para congelar la imagen proyectada (Función de congelación)

Pulse la tecla FREEZE. Aparece “CONGELADO” al pulsar la tecla. Esta función se activa solamente cuando se introduce una señal de un ordenador (excepto para UXGA).

Para recuperar la pantalla original, pulse la tecla FREEZE de nuevo.

## Para emplear la función de puntero láser

Pulse la tecla LASER del mando a distancia.

Aparecerá el puntero láser. El puntero resulta útil para indicar determinados puntos en pantalla.



# Uso del MENU

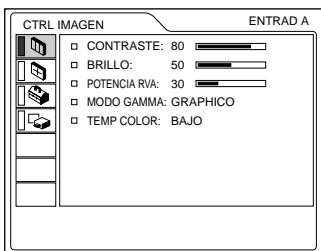
El proyector está equipado con un menú en pantalla para realizar diversos ajustes.

**Nota**

Antes de la operación, asegúrese de que el interruptor PJ/NETWORK del mando a distancia está ajustado en PJ. Si está ajustado en la posición NETWORK, el menú no se mostrará en pantalla aunque pulse el botón MENU en el mando a distancia.

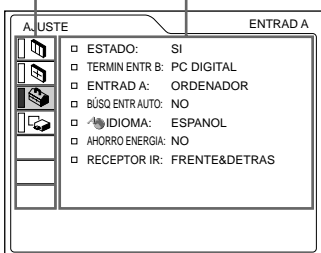
**Para seleccionar el idioma empleado en el menú, consulte la página 24 (ES).**

- 1 Pulse la tecla MENU.  
Aparece la pantalla de menú.  
El menú actualmente seleccionado se muestra como un botón amarillo.



- 2 Emplee la tecla ↑ o ↓ para seleccionar un menú y, a continuación, pulse la tecla → o ENTER.  
Aparece el menú seleccionado.

Menús                      Elementos de ajuste



- 3 Seleccione un elemento.  
Utilice la tecla ↑ o ↓ para seleccionar el elemento y, a continuación, pulse la tecla → o ENTER.

- 4 Realice los ajustes de los elementos.  
*Para obtener información detallada sobre el ajuste de los distintos elementos, consulte las páginas del menú correspondiente.*

## Para que la pantalla de menú desaparezca

Pulse la tecla MENU.  
La pantalla de menú desaparecerá automáticamente si no pulsa ninguna tecla durante un minuto.

## Para recuperar los valores de fábrica de elementos ya ajustados

Pulse la tecla RESET.  
La pantalla muestra “Completado!” y los ajustes que aparecen en pantalla recuperarán los valores ajustados de fábrica.  
Los elementos que pueden restaurarse son:  
• “CONTRASTE”, “BRILLO”, “COLOR”, “TONALIDAD”, “NITIDEZ” y “POTENCIA RVA” del menú CTRL IMAGEN.  
• “FASE PUNTO”, “TAMANO H” y “DESPLAZ” del menú AJUS ENTRAD.  
• “DIST TRAP DIG” del menú AJUSTE INST.

## Acerca de la memoria de los ajustes

Los ajustes se almacenan automáticamente en la memoria del proyector.

## Si no se introduce ninguna señal

Cuando no entra ninguna señal, aparece “SIN ENTRADA-Imposible ajustar este parametro.” en la pantalla y no podrá ajustar ninguno de los elementos.

## Acerca del menú en pantalla

Puede ajustar como desee la posición en pantalla del menú, la intensidad de la imagen de fondo y el tono de las opciones del menú.

*Para obtener información detallada, consulte la página 25 (ES).*

## Menú CTRL IMAGEN

El menú CTRL (control) IMAGEN se utiliza para ajustar la imagen.

Los elementos que no pueden ajustarse en función de la señal de entrada no aparecen en el menú.



### Operación

#### 1. Seleccione un elemento

Emplee la tecla **↑** o **↓** para seleccionar el elemento y, a continuación, pulse la tecla **→** o **ENTER**.

#### 2. Ajuste un elemento

- Al cambiar el nivel de ajuste:  
Para que el número aumente, pulse la tecla **↑** o **→**.  
Para que el número disminuya, pulse la tecla **↓** o **←**.  
Pulse la tecla **ENTER** para recuperar la pantalla original.
- Al cambiar el ajuste:  
Pulse la tecla **↑** o **↓** para cambiar el ajuste.  
Pulse la tecla **ENTER** o **←** para recuperar la pantalla original.

### CONTRASTE

Ajusta el contraste de la imagen.  
Cuanto mayor sea el ajuste, mayor será el contraste.  
Cuanto menor sea el ajuste, menor será el contraste.

### BRILLO

Ajusta el brillo de la imagen.  
Cuanto mayor sea el ajuste, mayor será el brillo.  
Cuanto menor sea el ajuste, menor será el brillo.

### COLOR

Ajusta la intensidad del color.  
Cuanto mayor sea el ajuste, mayor será la intensidad.  
Cuanto menor sea el ajuste, menor será la intensidad.

### TONALIDAD

Ajusta los tonos del color.  
Cuanto mayor es el ajuste, la imagen adquiere un tono verdoso.  
Cuanto menor es el ajuste, la imagen adquiere un tono púrpura.

### NITIDEZ

Ajusta la nitidez de la imagen.  
Cuanto mayor sea el ajuste, mayor será la nitidez de la imagen.  
Cuanto menor sea el ajuste, la imagen aparecerá con mayor suavidad.

### POTENCIA RVA

Ajusta la nitidez de la imagen cuando se introducen señales RVA (RGB).  
Cuanto mayor sea el ajuste, más nítida será la imagen.  
Cuanto menor sea el ajuste, más suave aparecerá la imagen.

### IMAG DI (dinámica)

Enfatiza el color negro.  
**SI:** Enfatiza el color negro para producir imágenes “dinámicas” y marcadas.  
**NO:** Reproduce con precisión las partes oscuras de la imagen, de acuerdo con la señal fuente.

### MODO GAMMA

Selecciona una curva de corrección gamma.  
**GRAPHICO:** Mejora la reproducción de tonos medios. Es posible reproducir fotografías en tonos naturales.  
**TEXTO:** Contrasta el blanco y el negro. Adecuado para imágenes que contienen mucho texto.

### TEMP COLOR

Ajusta la temperatura del color.  
**ALTO:** Hace que el color blanco adquiera un tono azulado.  
**BAJO:** Hace que el color blanco adquiera un tono rojizo.

## SIST (sistema) COLOR

Selecciona el sistema de color de la señal de entrada.

**AUTO:** Selecciona automáticamente una de las siguientes señales: NTSC<sub>3.58</sub>, PAL, SECAM, NTSC<sub>4.43</sub>.

**PAL-M/N:** Selecciona automáticamente una de las siguientes señales: PAL-M/PAL-N, NTSC<sub>3.58</sub>.

Normalmente, ajústelo en AUTO.

Si la imagen se distorsiona o aparece sin color, seleccione el sistema de color en función de la señal de entrada.

## DDE (Potenciador dinámico de detalle)

Selecciona el formato de reproducción de las señales de vídeo de entrada en función de las fuentes de vídeo.

**FILM:** Seleccione esta posición normalmente.

Reproduce las fuentes de película 2-3 Pull-Down con un movimiento de imagen suave.

Si la entrada de la señal de vídeo se realiza con un formato distinto de 2-3 Pull-Down,

PROGRESIVO se seleccionará automáticamente.

**PROGRESIVO:** Convierte una señal de vídeo con formato entrelazado en un formato progresivo.

**NO:** Reproduce la señal de vídeo con formato entrelazado sin convertirla.

## Señales de entrada y elementos de ajuste/ajustables

Elemento	Señal de entrada			
	Vídeo o vídeo S (Y/C)	Componente	Vídeo GBR	RVA <sup>1)</sup>
CONTRASTE	●	●	●	●
BRILLO	●	●	●	●
COLOR	● (excepto para B & W)	●	●	—
TONALIDAD	● (sólo para NTSC <sub>3.58/4.43</sub> )	●	●	—
NITIDEZ	●	●	●	—
POTENCIA RVA	—	—	—	●
IMAG DI	●	● (480/60i. 575/50i)	● (480/60i. 575/50i)	—
MODO GAMMA	—	—	● (480/60i. 575/50i)	●
TEMP COLOR	●	●	●	●
SIST COLOR	●	—	—	—
DDE	●	● (480/60i. 575/50i)	● (480/60i. 575/50i)	—

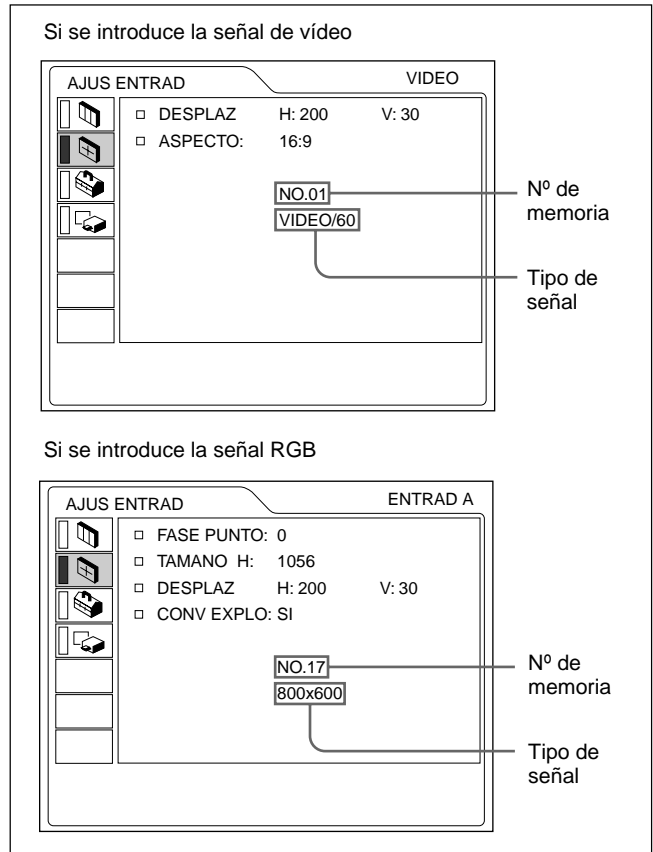
● : Ajustable/puede ajustarse

— : No ajustable/no puede ajustarse

## Menú AJUS ENTRAD

El menú AJUS ENTRAD se utiliza para ajustar la señal de entrada.

Los elementos que no pueden ajustarse en función de la señal de entrada no aparecen en el menú.



### Operación

#### 1. Seleccione un elemento

Utilice la tecla  $\uparrow$  o  $\downarrow$  para seleccionar el elemento y, a continuación, pulse la tecla  $\rightarrow$  o ENTER.

#### 2. Ajuste un elemento

- Al cambiar el nivel de ajuste:

Para que el número aumente, pulse la tecla  $\uparrow$  o  $\rightarrow$ .  
Para que el número disminuya, pulse la tecla  $\downarrow$  o  $\leftarrow$ .  
Pulse la tecla ENTER para recuperar la pantalla original.

- Al cambiar el ajuste:

Pulse la tecla  $\uparrow$  o  $\downarrow$  para cambiar el ajuste.  
Pulse la tecla ENTER o  $\leftarrow$  para recuperar la pantalla original.

### FASE PUNTO

Ajusta la fase de puntos del panel LCD y la señal analógica introducida desde el conector INPUT A/B. Ajuste la imagen con mayor precisión una vez ajustada con la tecla APA.

Ajuste la imagen donde aparezca con mayor nitidez.

1) Señales RVA de un ordenador. En INPUT C se pueden ajustar los mismos elementos que en las señales RGB (digitales).

## TAMANO H

Ajusta el tamaño horizontal de la imagen introducida desde el conector INPUT A/B (sólo señal analógica). Cuanto mayor sea el ajuste, mayor será el tamaño horizontal de la imagen.

Cuanto menor sea el ajuste, menor será el tamaño horizontal de la imagen. Ajuste el parámetro en función de los puntos de la señal de entrada.

*Para obtener información detallada sobre el valor adecuado para las señales predeterminadas, consulte la página 23 (ES).*

## DESPLAZ

Ajusta la posición de la imagen introducida mediante los conectores INPUT A/B (sólo señal analógica) o las tomas VIDEO IN.

H ajusta la posición horizontal de la imagen.

V ajusta la posición vertical de la imagen.

Al aumentar el ajuste de H, la imagen se desplazará hacia la derecha, mientras que al disminuir, la imagen se desplazará hacia la izquierda.

Al aumentar el ajuste de V, la imagen se desplazará hacia arriba, mientras que al disminuir, la imagen se desplazará hacia abajo.

Utilice la tecla ← o → para ajustar la posición horizontal, y las teclas ↑ y ↓ para la posición vertical.

### Nota

Si ajusta DIST TRAP DIG (página 25) y DESPLAZ para la señal de entrada UXGA, la imagen puede no mostrarse correctamente.

## ASPECTO

Ajusta la relación de aspecto de la imagen.

Al introducir la señal 16:9 (comprimida) de un equipo como un reproductor de DVD, ajústelo en 16:9.

**4:3** : Si se introduce la imagen de relación de 4:3.

**16:9** : Si se introduce la imagen de relación de 16:9 (comprimida).

## CONV EXPLO (convertidor de exploración)

Convierte la señal para mostrar la imagen en función del tamaño de la pantalla.

**SI:** Muestra la imagen en función del tamaño de la pantalla. La imagen perderá un poco de nitidez.

**NO:** Muestra la imagen al hacer coincidir un pixel del elemento de imagen introducido con el de la pantalla LCD. La imagen será nítida pero el tamaño de la imagen será menor.

### Nota

Este elemento aparece solamente cuando se introduce la señal del ordenador (excepto para las señales XGA, SXGA y UXGA).

## Señales de entrada y elementos de ajuste/ajustables

Elemento	Señal de entrada			
	Vídeo o vídeo S (Y/C)	Componente	Vídeo GBR	RVA <sup>1)</sup>
FASE PUNTO	–	● (sólo para HDTV)	● (sólo para HDTV)	● (sólo señales analógicas)
TAMANO H	–	● (sólo para HDTV)	● (sólo para HDTV)	● (sólo señales analógicas)
DESPLAZ	●	●	●	● (sólo señales analógicas)
ASPECTO	●	● (480/60i,575/50i,480/60p,575/50p)	● (480/60i,575/50i,480/60p,575/50p)	–
CONV EXPLO	–	–	–	● (sólo inferior a SVGA)

● : Ajustable/puede ajustarse

– : No ajustable/no puede ajustarse

## Acerca del número de memoria predeterminada

Este proyector dispone de 44 tipos de datos predeterminados para señales de entrada (la memoria predeterminada). El número de memoria de la señal de entrada actual y el tipo de señal aparecen al introducirse la señal predeterminada. Este proyector detecta automáticamente el tipo de señal. Si la señal está registrada en la memoria predeterminada, aparecerá una imagen adecuada en pantalla en función del tipo de señal. Es posible ajustar la imagen mediante el menú AJUS ENTRAD.

Este proyector también dispone de 20 tipos de memorias de usuario para cada ENTRAD A/B (sólo señal analógica). Si se introduce una señal no predeterminada por primera vez, el número de memoria aparecerá como 0. Si la señal de entrada está ajustada en el menú AJUS ENTRAD, el ajuste mediante ENTRAD A/B (sólo señal analógica) se almacenará. Si hay registradas más de 20 memorias de usuario para cada ENTRAD A/B (sólo señal analógica), la memoria más reciente se almacenará sobre la más antigua.

1) Señales RVA de un ordenador. En INPUT C se pueden ajustar los mismos elementos que en las señales RGB (digitales).

## Señales predeterminadas

Número de memoria	Señal predeterminada	fH (kHz)	fV (Hz)	Sync	TAMAÑO H	
1	Video de 60 Hz	15,734	59,940	Neg H Neg V		
2	Video de 50 Hz	15,625	50,000	Neg H Neg V		
3	480/60i	15,734	59,940	S en V/A		
4	575/50i	15,625	50,000	Sincronización compuesta		
5	1080/60i	33,750	60,000			
6*	640 × 350	Modo VGA 1	31,469	70,086	Pos H Neg V	800
7*		VGA VESA <sup>1)</sup> 85 Hz	37,861	85,080	Pos H Neg V	832
8*	640 × 400	PC-9801 <sup>2)</sup> Normal	24,823	56,416	Neg H Neg V	848
9		Modo VGA 2	31,469	70,086	Neg H Pos V	800
10		VGA VESA 85 Hz	37,861	85,080	Neg H Pos V	832
11*	640 × 480	Modo VGA 3	31,469	59,940	Neg H Neg V	800
12*		Macintosh 13"	35,000	66,667	Neg H Neg V	864
13*		VGA VESA 72 Hz	37,861	72,809	Neg H Neg V	832
14*		VGA VESA 75 Hz	37,500	75,000	Neg H Neg V	840
15*		VGA VESA 85 Hz	43,269	85,008	Neg H Neg V	832
16*	800 × 600	SVGA VESA 56 Hz	35,156	56,250	Pos H Pos V	1024
17*		SVGA VESA 60 Hz	37,879	60,317	Pos H Pos V	1056
18*		SVGA VESA 72 Hz	48,077	72,188	Pos H Pos V	1040
19*		SVGA VESA 75 Hz	46,875	75,000	Pos H Pos V	1056
20*		SVGA VESA 85 Hz	53,674	85,061	Pos H Pos V	1048
21*	832 × 624	Macintosh 16"	49,724	74,550	Neg H Neg V	1152
22*	1024 × 768	XGA VESA 43 Hz	35,524	43,479	Pos H Pos V	1264
23*		XGA VESA 60 Hz	48,363	60,004	Neg H Neg V	1344
24*		XGA VESA 70 Hz	56,476	69,955	Neg H Neg V	1328
25*		XGA VESA 75 Hz	60,023	75,029	Pos H Pos V	1312
26*		XGA VESA 85 Hz	68,677	84,997	Pos H Pos V	1376
27*	1152 × 864	SXGA VESA 70 Hz	63,995	70,016	Pos H Pos V	1472
28*		SXGA VESA 75 Hz	67,500	75,000	Pos H Pos V	1600
29*		SXGA VESA 85 Hz	77,487	85,057	Pos H Pos V	1568
30*	1152 × 900	Sunmicro LO	61,795	65,960	Neg H Neg V	1504
31*		Sunmicro HI	71,713	76,047	Sincronización compuesta	1472
32*	1280 × 960	SXGA VESA 60 Hz	60,000	60,000	Pos H Pos V	1800
33		SXGA VESA 75 Hz	75,000	75,000	Pos H Pos V	1728
34*	1280 × 1024	SXGA VESA 43 Hz	46,433	43,436	Pos H Pos V	1696
35*		SXI-5	53,316	50,062	S en V	1680
36*		SXGA VESA 60 Hz	63,974	60,013	Pos H Pos V	1696
37		SXGA VESA 75 Hz	79,976	75,025	Pos H Pos V	1688
38		SXGA VESA 85 Hz	91,146	85,024	Pos H Pos V	1728
39	1600 × 1200	UXGA VESA 60 Hz	75,000	60,000	Pos H Pos V	2160

43	480/60P(Componente progresivo)	31,470	60,000		
44	575/50P(Componente progresivo)	31,250	50,000		
45	1080/50i	28,130	50,000		
47	720/60p	45,000	60,000		
48	720/50p	37,500	50,000		

Puesto que se recuperan de la memoria los datos predeterminados sobre las siguientes señales, es posible utilizar dichos datos ajustando TAMANO H. Realice el ajuste con precisión ajustando DESPLAZ.

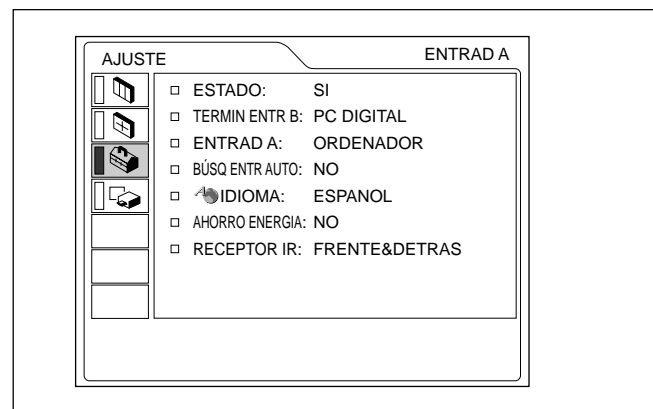
Señal	Número de memoria	TAMAÑO H
Super Mac-2	23	1312
SXI-1	23	1320
Macintosh 19"	25	1328
Macintosh 21"	27	1456
Sony News	36	1708
PC-9821 1280 × 1024	36	1600
WS Sunmicro	37	1664

### Notas

- Si la relación de aspecto de la señal de entrada no es de 4:3, parte de la pantalla aparecerá en negro.
- La señal UXGA sólo puede proyectarse cuando se ajusta la frecuencia del ordenador en 60 Hz.
- La entrada digital es compatible con las señales marcadas con asteriscos en la tabla. Cuando la salida de señal digital de un ordenador es otra señal distinta a las marcadas con asteriscos entre los números de memoria 6 a 39, se emite automáticamente de acuerdo con las especificaciones del proyector.

## Menú AJUSTE

El menú AJUSTE se utiliza para cambiar los ajustes del proyector.



### Operación

#### 1. Seleccione un elemento

Utilice la tecla ↑ o ↓ para seleccionar el elemento y pulse la tecla → o ENTER.

#### 2. Cambie el ajuste

Pulse la tecla ↑ o ↓ para cambiar el ajuste. Para recuperar la pantalla original, pulse la tecla ENTER o ←.

1) VESA es una marca comercial registrada de Video Electronics Standard Association.

2) PC-98 es una marca comercial registrada de NEC Corporation.

## ESTADO (indicación en pantalla)

Define la indicación en pantalla.

**SI:** Muestra todas las indicaciones en pantalla.

**NO:** Desactiva las indicaciones en pantalla, excepto los menús, el mensaje que aparece al desactivar la alimentación y los mensajes de aviso.

*Para obtener información detallada sobre los mensajes de aviso, consulte la página 31 (ES).*

## TERMIN ENTR B

Ajuste en PC ANALOGICO cuando la señal de entrada RGB en el conector INPUT B RGB (DVI) sea analógica y en PC DIGITAL cuando la señal de entrada RGB sea digital.

## ENTRAD A

Selecciona la señal de ordenador, componente, o VIDEO GBR (15k RGB, DTV, HDTV) introducida desde el conector INPUT A.

### Nota

Si el ajuste no es correcto, la pantalla mostrará el mensaje “Compruebe ajuste ENTRAD A.” y el color de la imagen será anormal o ésta no se mostrará.

## BÚSQ ENTR AUTO

Si se ajusta en SI, el proyector detectará las señales de entrada en el siguiente orden: ENTRAD A/ENTRAD B/ENTRAD C/VIDEO/S-VIDEO. Indica el canal de entrada al activar la alimentación o al pulsar la tecla INPUT.

## IDIOMA

Selecciona el idioma empleado en el menú y en las indicaciones en pantalla.

Los idiomas disponibles son inglés, francés, alemán, italiano, español, japonés y chino.

## AHORRO ENERGIA

Si lo ajusta en SI, el proyector entra en el modo de ahorro de energía si no se introduce ninguna señal durante 10 minutos.

## RECEPTOR IR

Selecciona los detectores de mando a distancia de la parte frontal y posterior del proyector.

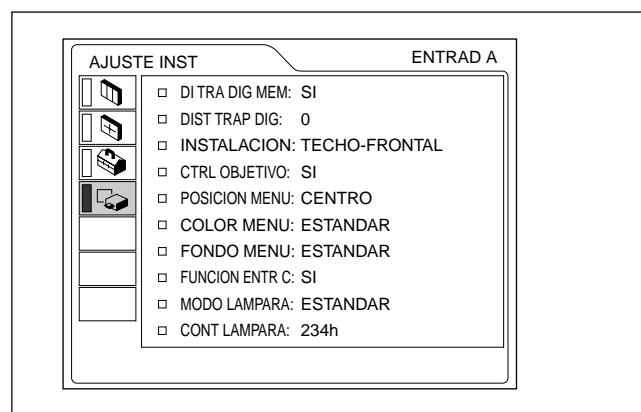
**FRENTE&DETRAS:** Activa los detectores frontal y posterior.

**FRENTE:** Activa sólo el detector frontal.

**DETRAS:** Activa sólo el detector posterior.

# Menú AJUSTE INST

El menú AJUSTE INST se utiliza para cambiar los ajustes del proyector.



## Operación

### 1. Seleccione un elemento

Utilice la tecla **↑** o **↓** para seleccionar el elemento y pulse la tecla **→** o **ENTER**.

### 2. Ajuste un elemento

- Al cambiar el nivel de ajuste:

Para que el número aumente, pulse la tecla **↑** o **→**.

Para que el número disminuya, pulse la tecla **↓** o **←**.

Pulse la tecla **ENTER** para recuperar la pantalla original.

- Al cambiar el ajuste:

Pulse la tecla **↑** o **↓** para cambiar el ajuste.

Pulse la tecla **ENTER** o **←** para recuperar la pantalla original.

---

## DI TRA DIG MEM

**SI:** Se almacena el ajuste DIST TRAP DIG. Los datos se recuperan al activar la alimentación del proyector. El ajuste se conservará igual cada vez.

**NO:** DIST TRAP DIG se reajusta a 0 al activar la alimentación la próxima vez.

---

## DIST TRAP DIG

Corrige la distorsión trapezoidal causada por el ángulo de proyección.

Si el borde inferior es más largo, defina un valor negativo; si el borde superior es más largo, defina un valor positivo para cuadrar la imagen.

### Nota

Si ajusta DESPLAZ (página 22) y DIST TRAP DIG para la señal de entrada UXGA, la imagen puede no mostrarse correctamente.

---

## INSTALACION

Se ajusta para invertir la imagen en sentido horizontal o vertical.

**SUELO-FRONTAL:** La imagen no se invierte.

**TECHO-FRONTAL:** La imagen se invierte en sentido horizontal y vertical.

**SUELO-DETRAS:** La imagen se invierte en sentido horizontal.

**TECHO-DETRAS:** La imagen se invierte en sentido vertical.

### Nota

En caso de utilizar un espejo, tenga cuidado con la instalación, ya que la imagen puede invertirse.

---

## CTRL OBJETIVO

Cuando está ajustado en NO, las teclas LENS CONTROL FOCUS, ZOOM y SHIFT no funcionan.

---

## POSICION MENU

Es posible definir la posición en pantalla del menú entre IZQ SUP, IZQ INF, CENTRO, DER SUP y DER INF.

---

## COLOR MENU

Puede cambiar el tono del menú en pantalla. Puede seleccionar ESTANDAR, CALIDO, FRIJO, VERDE o GRIS.

---

## FONDO MENU

Puede elegir la intensidad de la imagen de fondo del menú en pantalla entre OSCURO, ESTANDAR y LUMINOSO.

---

## FUNCION ENTR C

Ajústelo en SI cuando utilice la función Windows CE.

### Nota

Asegúrese de cerrar todos los tipos de software de aplicación que estén abiertos antes de cambiar el ajuste SI a NO. En caso contrario, el sistema podría cerrarse y es posible que no pueda reiniciar el proyector.

---

## MODO LAMPARA

Ajusta el brillo de la lámpara en la proyección.

**ESTANDAR:** Ilumina con un brillo normal.

**BAJO:** Reduce el ruido del ventilador y el consumo de energía.

En comparación con el ajuste ESTANDAR, el brillo de la imagen proyectada con el ajuste BAJO será bajo. Si ajusta MODO LAMPARA en BAJO, la próxima vez que active la alimentación, la lámpara utilizará el valor ESTANDAR durante los 3 primeros minutos y, a continuación, pasará a BAJO.

---

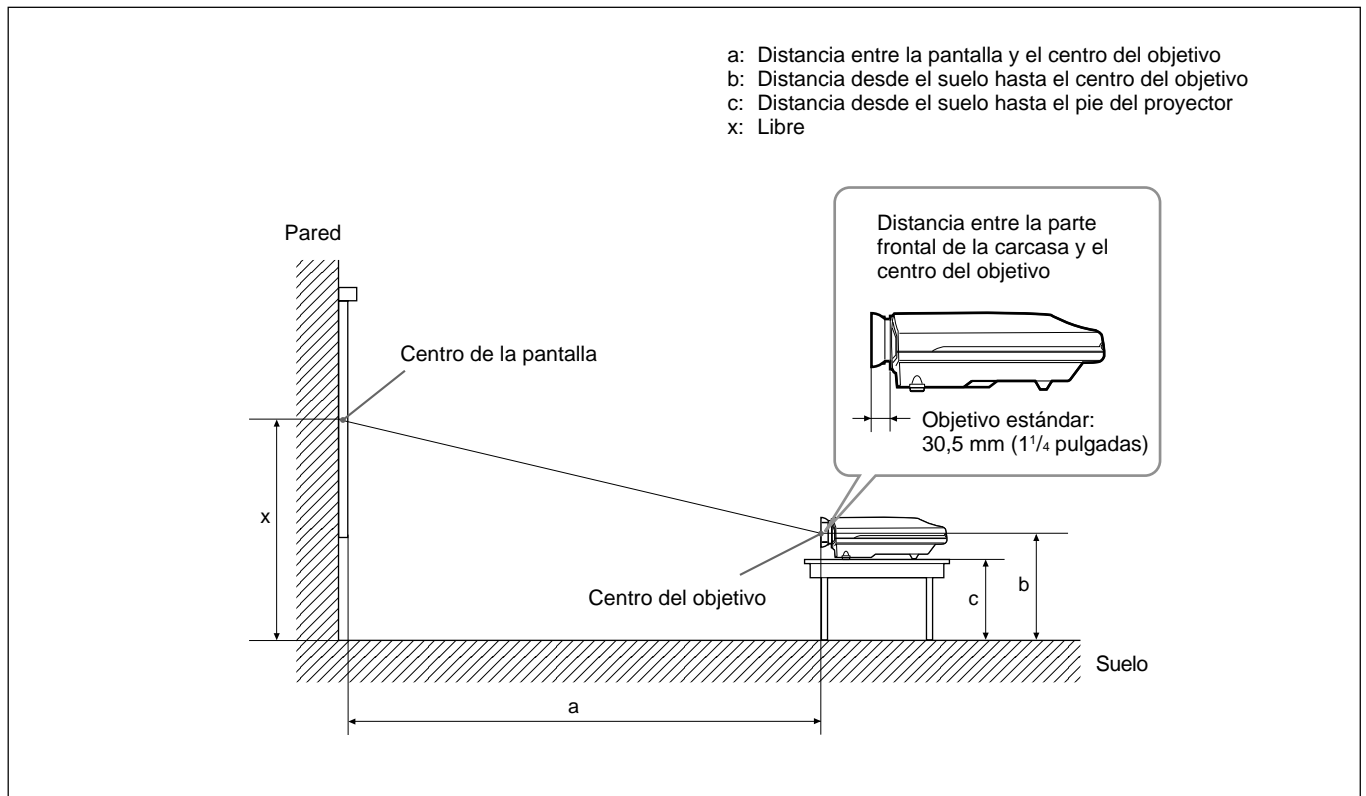
## CONT LAMPARA

Indica el tiempo que lleva la lámpara encendida.

### Nota

Sólo muestra el tiempo. No es posible modificar este valor.

# Ejemplos de instalación



Unidad: mm (pulgadas)

Tamaño de la pantalla (pulgadas)		40	60	80	100	120	150	180	200	250	300
a	Mínimo	1490 (58 3/4)	2280 (89 7/8)	3060 (120 1/2)	3850 (151 5/8)	4630 (182 3/8)	5810 (228 7/8)	6980 (274 7/8)	7770 (306)	9730 (383 1/8)	11690 (460 3/8)
	Máximo	1820 (71 3/4)	2780 (109 1/2)	3740 (147 3/8)	4700 (185 1/8)	5660 (222 7/8)	7100 (279 5/8)	8540 (336 3/8)	9500 (374 1/8)	11900 (468 5/8)	14300 (563 1/8)
b	Mínimo	x-305 (x-12 1/8)	x-457 (x-18)	x-610 (x-24 1/8)	x-762 (x-30)	x-914 (x-36)	x-1143 (x-45)	x-1372 (x-54 1/8)	x-1524 (x-60)	x-1905 (x-75 1/8)	x-2286 (x-90 1/8)
	Máximo	x									
c	Mínimo	x-415 (x-16 3/8)	x-567 (x-22 3/8)	x-720 (x-28 3/8)	x-872 (x-34 3/8)	x-1024 (x-40 3/8)	x-1253 (x-49 3/8)	x-1482 (x-58 3/8)	x-1634 (x-64 3/8)	x-2015 (x-79 11/32)	x-2396 (x-94 3/8)
	Máximo	x-100 (x-4)									

## Para calcular las medidas de la instalación (unidad: mm)

SS: tamaño diagonal de la pantalla (pulgadas)

$$a \text{ (mínimo)} = \{(SS \times 50,127/1,3102) - 73,9\} \times 1,025$$

$$a \text{ (máximo)} = \{(SS \times 64,519/1,3102) - 107,9\} \times 0,975$$

$$b \text{ (mínimo)} = x - (SS/1,3102 \times 9,984)$$

$$c \text{ (mínimo)} = x - (SS/1,3102 \times 9,984 + 110)$$

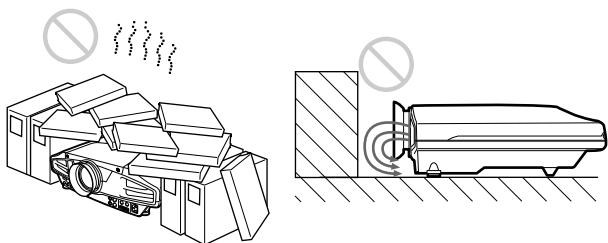


# Notas para la instalación

## Instalación inadecuada

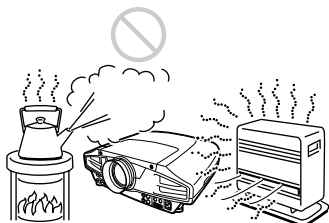
No instale el proyector en las siguientes situaciones. Estas instalaciones pueden producir fallos de funcionamiento o daños al proyector.

### Ventilación escasa



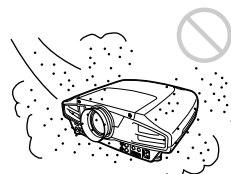
- Permita una circulación de aire adecuada para evitar el recalentamiento interno. No coloque la unidad sobre superficies (alfombras, mantas, etc.) ni cerca de materiales (cortinas, tapices) que puedan bloquear los orificios de ventilación. Si se produce recalentamiento interno debido al bloqueo de los orificios, el sensor de temperatura se activará y aparecerá el mensaje “Temperatura. alta! Apag. 1 min.”. La alimentación se desactivará automáticamente transcurrido un minuto.
- Deje un espacio superior a 50 cm (19 3/4 pulgadas) alrededor de la unidad.
- Procure que los orificios de ventilación no aspiren, por ejemplo, trozos de papel.
- Si coloca algún objeto enfrente de los orificios de ventilación frontales, la exhaustación podría introducirse en el proyector mediante los orificios de ventilación de la parte inferior, causando el aumento de la temperatura interna que activa el circuito de protección. Instale el proyector de forma que la exhaustación no quede bloqueada.

### Calor y humedad excesivos



- Evite instalar la unidad en un lugar donde la temperatura o la humedad sea demasiado alta, o donde la temperatura sea muy baja.
- Para evitar la condensación de humedad, no instale la unidad en un lugar donde la temperatura pueda aumentar rápidamente.

### Polvo excesivo

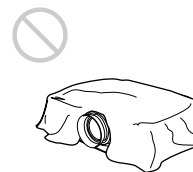


Evite instalar la unidad en lugares en los que haya mucho polvo; en caso contrario, el filtro de aire se obstruirá. Si el polvo bloquea el paso de aire a través del filtro, es posible que el calentamiento interno del proyector aumente. Límpielo periódicamente.

### Condiciones de uso inadecuadas

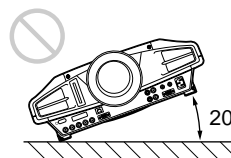
No realice lo siguiente.

### Bloqueo de los orificios de ventilación



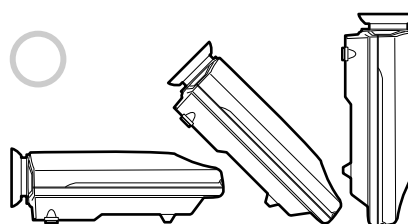
No utilice nada que pueda cubrir los orificios de ventilación; en caso contrario, es posible que se produzca calentamiento interno.

### Inclinación hacia derecha/izquierda



Evite utilizar la unidad con una inclinación superior a 20 grados. Instale la unidad únicamente sobre el suelo o en el techo. Si la instala en otros lugares, pueden producirse fallos de funcionamiento.

El ángulo de inclinación frontal a posterior de este proyector no está limitado.



# Mantenimiento

## Notas

- Si la lámpara se rompe, consulte con personal Sony especializado.
- Tire de la unidad de lámpara por el asa. Si toca la unidad de lámpara, puede quemarse o lesionarse.
- Cuando extraiga la unidad de lámpara, asegúrese de que la mantiene en posición horizontal y, a continuación, tire hacia arriba. No incline la unidad de lámpara. Si tira de la unidad de lámpara para extraerla mientras está inclinada y si la lámpara se rompe, los trozos pueden esparcirse, causando heridas.

## Sustitución de la lámpara

Si la lámpara se atenúa o se ha quemado, o si el mensaje “Please replace the lamp” aparece en pantalla, sustitúyala por una nueva. El mensaje aparece después de 1000 horas para el ajuste ESTANDAR o de unas 1500 horas para el ajuste BAJO en el modo MODO LAMPARA.

Utilice una lámpara de proyector LMP-F250 para la sustitución.

La duración de la lámpara varía en función de las condiciones de uso.

### Al sustituir la lámpara después de utilizar el proyector

Apague el proyector y desenchufe el cable de alimentación.

Espere al menos una hora para que se enfríe la lámpara.

#### Nota

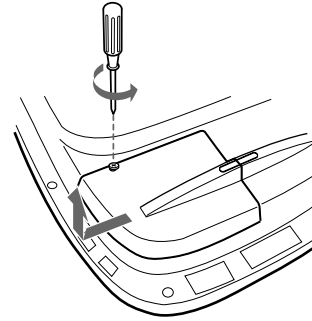
La lámpara alcanza una temperatura alta después de apagar el proyector con la tecla I / ⏻. Si toca la lámpara, puede quemarse el dedo. Antes de sustituir la lámpara, espere al menos una hora para que se enfríe.

- 1 Coloque una hoja (pañó) de protección debajo del proyector y vuelque el proyector.

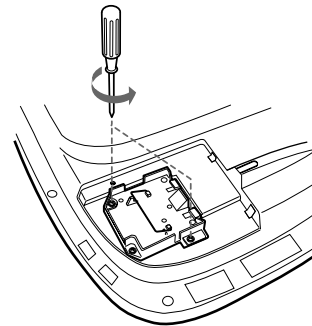
#### Nota

Al sustituir la lámpara, asegúrese de que el proyector se encuentra sobre una superficie plana y estable.

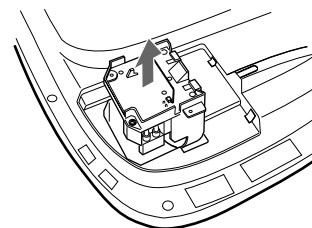
- 2 Deslice la cubierta de la lámpara para abrir aflojando el tornillo con el destornillador Phillips.



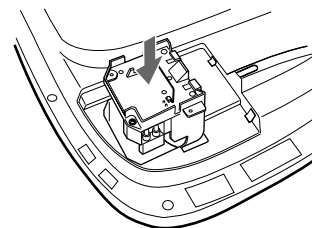
- 3 Afloje dos tornillos de la unidad de lámpara con el destornillador Phillips.



- 4 Mientras agarra el asa y mantiene la unidad de lámpara en posición horizontal, tire hacia arriba.



- 5 Inserte la nueva lámpara completamente hasta que encaje en su sitio. Apriete los tornillos y pliegue el asa.



#### Notas

- Tenga cuidado de no tocar la superficie de vidrio de la lámpara.
- La alimentación no se activará si la lámpara no está correctamente instalada.

- 6** Cierre la cubierta de la lámpara y apriete los tornillos.
- 7** Vuelva a darle la vuelta al proyector.
- 8** Conecte el cable de alimentación y ponga el proyector en modo de espera.
- 9** Pulse las siguientes teclas del panel de control en este orden durante menos de cinco segundos cada una: RESET, ←, →, ENTER.

**Notas**

- Asegúrese de utilizar la lámpara para proyector LMP-F250 como repuesto. Si utiliza alguna lámpara que no sea la LMP-F250, puede producirse un funcionamiento defectuoso del proyector.
- Asegúrese de apagar el proyector y desenchufar el cable de alimentación antes de sustituir la lámpara.
- No introduzca la mano dentro de la lámpara al sustituirla, ni deje caer ningún líquido u objeto sólido dentro de la misma para evitar una descarga eléctrica o incendio.

**Eliminación de una lámpara para proyector usada**

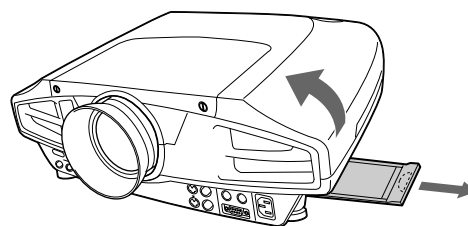
Puesto que los materiales utilizados en esta lámpara son similares a los de una lámpara fluorescente, es necesario deshacerse de una lámpara de este tipo tal como haría con una lámpara fluorescente.

**Limpieza del filtro de aire**

**El filtro de aire debe limpiarse cada 300 horas.** Si resulta difícil eliminar el polvo del filtro, sustitúyalo por uno nuevo.

Para limpiar el filtro de aire, realice los siguientes pasos:

- 1** Desactive la alimentación y desenchufe el cable de la toma de corriente.
- 2** Levante el lateral del proyector y saque el filtro de aire.



- 3** Elimine el polvo del filtro con una aspiradora.
- 4** Inserte el filtro de aire hasta que quede encajado en su sitio.

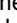
**Notas**

- Si no presta atención al filtro del aire, se puede acumular polvo dentro del mismo y obstruirlo. Como consecuencia, puede subir la temperatura en el interior de la unidad y provocar un posible mal funcionamiento o incendio.
- Asegúrese de insertar firmemente la cubierta del filtro de aire; la alimentación no se activará si no está firmemente cerrada.

# Solución de problemas

Si el proyector parece funcionar incorrectamente, diagnóstíquelo y corrija el problema con la siguiente guía. Si el problema no se soluciona, consulte con personal Sony especializado.

## Alimentación

Síntoma	Causa	Solución
La alimentación no se activa.	La alimentación se ha desactivado y activado con la tecla I /  en un intervalo corto de tiempo.	Espera 120 segundos aproximadamente antes de activar la alimentación ( <i>consulte la página 18 (ES)</i> ).
	La cubierta de la lámpara no está instalada.	Cierre firmemente la cubierta de la lámpara ( <i>consulte la página 28 (ES)</i> ).
	No ha insertado el filtro de aire de forma segura.	Inserte el filtro de aire de forma segura. ( <i>consulte la página 29 (ES)</i> ).

## Imagen

Síntoma	Causa	Solución
Ausencia de imagen.	El cable está desconectado o no se ha conectado correctamente.	Compruebe que ha realizado las conexiones adecuadas ( <i>consulte las páginas 13 (ES) a 15 (ES)</i> ).
	La selección de entrada es incorrecta.	Seleccione correctamente la fuente de entrada con la tecla INPUT ( <i>consulte la página 16 (ES)</i> ).
	La imagen está desactivada.	Pulse la tecla PIC MUTING para cancelar la función de desactivación ( <i>consulte la página 17 (ES)</i> ).
	La señal del ordenador no está ajustada para enviarse al monitor externo.	Ajuste la señal del ordenador para que se envíe al monitor externo ( <i>consulte la página 13 (ES)</i> ).
	La señal del ordenador está ajustada para enviarse a la pantalla LCD de éste y al monitor externo.	Ajuste la señal del ordenador para que se envíe sólo al monitor externo ( <i>consulte la página 13 (ES)</i> ).
La imagen aparece con ruido.	Puede aparecer ruido de fondo en función de la combinación de los números de entrada de puntos del conector y los números de píxel del panel LCD.	Cambie el patrón del escritorio en el ordenador conectado.
Las indicaciones en pantalla no aparecen.	El elemento ESTADO del menú AJUSTE se ha ajustado en NO.	Ajuste ESTADO en SI en el menú AJUSTE ( <i>consulte la página 24 (ES)</i> ).
La imagen del conector INPUT B no se proyecta.	El valor de TERMIN ENTR B del menú AJUSTE es incorrecto.	Ajuste correctamente TERMIN ENTR B en el menú AJUSTE en función de la señal de entrada ( <i>consulte la página 24 (ES)</i> ).
La imagen digital del conector INPUT B no se proyecta.	Los procedimientos de conexión son erróneos.	Realice conexiones utilizando procedimientos adecuados ( <i>consulte la página 13 (ES)</i> ).
La imagen de INPUT C se congela.	Existe algún tipo de problema con la red.	Establezca FUNCION ENTR C en el menú AJUSTE INST en el valor NO y, a continuación, ajústelo en SI de nuevo ( <i>consulte la página 25 (ES)</i> ).
El balance de color de la imagen de vídeo no es correcto.	No está definido correctamente el sistema de color de la señal de entrada.	Defina SIST COLOR en el menú CTRL IMAGEN de acuerdo con el sistema de color de entrada. ( <i>consulte la página 21 (ES)</i> )

## Otros

Síntoma	Causa	Solución
El indicador LAMP/COVER parpadea.	La cubierta de la lámpara no está fijada o el filtro de aire no está insertado de forma segura.	Fije la cubierta de la lámpara o inserte el filtro de aire de forma segura. (consulte las páginas 28 (ES) y 29 (ES)).
El indicador LAMP/COVER se ilumina.	La lámpara ha llegado al final de su duración.	Sustituya la lámpara (consulte la página 28 (ES)).
	La temperatura de la lámpara es alta.	Espere 120 segundos hasta que la lámpara se enfríe y vuelva a activar la alimentación (consulte la página 18 (ES)).
El indicador TEMP/FAN parpadea.	El ventilador está roto.	Consulte con personal Sony especializado.
El indicador TEMP/FAN se ilumina.	La temperatura interna es inusualmente alta.	Compruebe que no hay nada que bloquee los orificios de ventilación.
Los indicadores LAMP/COVER y TEMP/FAN se iluminan.	Fallo del sistema eléctrico.	Consulte con personal Sony especializado.
La ventana INPUT C no aparece, o no es posible seleccionar ENTR C.	FUNCION ENTR C está ajustado en NO.	Ajuste FUNCION ENTR C en el menú AJUSTE INST en SI (consulte la página 25 (ES)).
El menú no aparece en pantalla incluso si pulsa el botón MENU en el mando a distancia.	El interruptor PJ/NETWORK del mando a distancia está ajustado en NETWORK.	Ajuste el interruptor PJ/NETWORK en PJ y pulse la tecla MENU.

## Mensajes de aviso

Utilice la lista que aparece a continuación para conocer el significado de los mensajes mostrados en pantalla.

Mensaje	Significado	Solución
Temperatura. alta! Apag. 1 min.	La temperatura interna es demasiado alta.	Desactive la alimentación. Compruebe que no hay nada que bloquee los orificios de ventilación.
Frecuencia fuera de rango!	Esta señal de entrada no puede proyectarse, ya que la frecuencia se encuentra fuera del margen admisible del proyector.	Introduzca una señal que se encuentre dentro del margen de la frecuencia.
	El ajuste de resolución de la señal de salida del ordenador es demasiado alto.	Defina el ajuste de la salida en XGA (consulte la página 13 (ES)).
Compruebe ajuste ENTRAD A.	Ha introducido una señal RVA del ordenador con ENTRAD A del menú AJUSTE ajustado en COMPONENTE o VIDEO GBR.	Ajuste ENTRAD A correctamente (consulte la página 24 (ES)).
Por favor cambie la lámpara.	Es preciso sustituir la lámpara.	Sustituya la lámpara.
Backup Battery Very Low	Una pila de respaldo para la red se ha agotado.	Consulte con personal Sony especializado.

## Mensajes de precaución

Utilice la siguiente lista para conocer el significado de los mensajes mostrados en pantalla.

Mensaje	Significado	Solución
SIN ENTRADA	No hay ninguna señal de entrada.	Compruebe las conexiones (consulte las páginas 13 (ES) a 15 (ES)).
No aplicable!	Ha pulsado una tecla equivocada.	Pulse la tecla apropiada.
CONTROL DE OBJETIVO BLOQUEADO! DESEA DESBLOQUEAR?	El elemento CTRL OBJETIVO del menú AJUSTE INST se ha ajustado en NO.	Seleccione SI o ajuste CTRL OBJETIVO en el menú AJUSTE INST en SI en función de sus requisitos.

# Especificaciones

## Características ópticas

Sistema de proyección	3 paneles LCD, 1 objetivo, sistema de proyección
Panel LCD	Panel LCD SONY TFT de 1,3 pulgadas de hilera de microlentes, 2.359.296 píxeles (1024 × 768 píxeles × 3)
Objetivo	Zoom/objetivo de enfoque motorizados de aprox. 1,3 veces f 50,8 a 64,0 mm/F 1,7 a 2,0
Lámpara	UHP de 250 W
Tamaño de imagen de proyección	Rango: 40 a 300 pulgadas (medida diagonal)
Salida de luz	ANSI lumen <sup>1)</sup> 3500 lm
Distancia de proyección	40 pulgadas: 1490 a 1820 mm (58 <sup>3</sup> / <sub>4</sub> a 71 <sup>3</sup> / <sub>4</sub> pulgadas) 60 pulgadas: 2280 a 2780 mm (89 <sup>7</sup> / <sub>8</sub> a 109 <sup>1</sup> / <sub>2</sub> pulgadas) 80 pulgadas: 3060 to 3740 mm (120 <sup>1</sup> / <sub>2</sub> a 147 <sup>3</sup> / <sub>8</sub> pulgadas) 100 pulgadas: 3850 a 4700 mm (151 <sup>5</sup> / <sub>8</sub> a 185 <sup>1</sup> / <sub>8</sub> pulgadas) 120 pulgadas: 4630 a 5660 mm (182 <sup>3</sup> / <sub>8</sub> a 222 <sup>7</sup> / <sub>8</sub> pulgadas) 150 pulgadas: 5810 a 7100 mm (228 <sup>7</sup> / <sub>8</sub> a 279 <sup>5</sup> / <sub>8</sub> pulgadas) 180 pulgadas: 6990 a 8540 mm (275 <sup>1</sup> / <sub>4</sub> a 336 <sup>3</sup> / <sub>8</sub> pulgadas) 200 pulgadas: 7770 a 9500 mm (306 a 374 <sup>1</sup> / <sub>8</sub> pulgadas) 250 pulgadas: 9740 a 11900 mm (383 <sup>5</sup> / <sub>8</sub> a 468 <sup>5</sup> / <sub>8</sub> pulgadas) 300 pulgadas: 11700 a 14300 mm (460 <sup>3</sup> / <sub>4</sub> a 563 <sup>1</sup> / <sub>8</sub> pulgadas)

## Características eléctricas

Sistema de color	NTSC <sub>3.58</sub> /PAL/SECAM/NTSC <sub>4.43</sub> /PAL-M/PAL-N, conmutado automática/manualmente
Resolución	750 líneas horizontales de TV (entrada de vídeo) 1024 × 768 píxeles (entrada RGB)
Señales de ordenador admitidas	fH: 15 a 91 kHz fV: 43 a 85 Hz

## Entrada/salida

VIDEO IN	VIDEO: tipo BNC Vídeo compuesto: 1 Vp-p ±2 dB sincronización negativa (terminación de 75 ohmios) S VIDEO: Y/C tipo mini DIN de 4 pines (macho) Y (luminancia): 1 Vp-p ±2 dB sincronización negativa (terminación de 75 ohmios) C (crominancia): sincronización cromática 0,286 Vp-p ±2 dB (NTSC) (terminación de 75 ohmios), sincronización cromática 0,3 Vp-p ±2 dB (PAL) (terminación de 75 ohmios)
VIDEO OUT	VIDEO: Tipo BNC derivado Salida derivada del conector VIDEO IN S VIDEO: Tipo mini DIN de 4 pines derivada (macho) Salida derivada del conector S VIDEO IN
INPUT A	RGB analógico/componente: 5BNC (hembra) R/R-Y: 0,7 Vp-p ±2 dB (terminación de 75 ohmios) G: 0,7 Vp-p ±2 dB (terminación de 75 ohmios) G con sincronización/Y: 1 Vp-p ±2 dB sincronización negativa (terminación de 75 ohmios) B/B-Y: 0,7 Vp-p ±2 dB (terminación de 75 ohmios) SYNC/HD: Entrada de sincronización compuesta: 1-5 Vp-p alta impedancia, positiva/negativa Entrada de sincronización horizontal: 1-5 Vp-p alta impedancia, positiva/negativa VD: Entrada de sincronización vertical: 1-5 Vp-p alta impedancia, positiva/negativa
INPUT B	RGB digital/analógico: DVI-I (TMDS)
INPUT C	ETHER 10BASE-T/100BASE-TX estándar Ranura PC CARD Ranura de tarjeta de PC Tipo II

1) ANSI lumen es un método de medida de American National Standard IT 7.228.

MONITOR OUT	HD D-sub de 15 pines (hembra) R/R-Y, G/Y, B/B-Y: Unidad de ganancia, 75 ohmios SYNC/HD, VD: 4Vp-p (abierta), 1Vp-p (75 ohmios)
RS-232C	D-sub de 9 pines (hembra)
CONTROL S IN/PLUG IN POWER	Minitoma estéreo 5Vp-p, potencia por enchufe, 5V CC
TRIG	Minitoma Alimentación activada: 12 V CC, impedancia de salida: 4,7 kilohmios Alimentación desactivada: 0 V
Normas de seguridad	UL, cUL DHHS DNHW FCC Class A IC Class A NEMKO CE (LVD, EMC) C-Tick

---

### Haz de láser

Tipo de láser	Clase 2
Longitud de onda	645 nm
Salida	1 mW

---

### Generales

Dimensiones	480 × 167 × 502 mm (19 × 6 1/2 × 19 7/8 pulgadas) (an/al/prf)
Peso	Aprox. 10,5 kg (23 lb 2 oz)
Requisitos de alimentación	100 a 240 V CA , 50/60 Hz
Consumo de energía	Máx. 360 W Modo de espera: 5 W (con FUNCION ENTR C ajustado en SI: 10 W) 3,6–1,5A
Disipación del calor	1228,6 BTU
Temperatura de funcionamiento	0°C a 40°C (32°F a 104°F)
Humedad de funcionamiento	35% a 85% (sin condensación)
Temperatura de almacenamiento	-20°C a 60°C (-4°F a 140°F)
Humedad de almacenamiento	10% a 90%

### Accesorios suministrados

Mando a distancia RM-PJM50	(1)
Pilas tamaño AA (R6)	(2)
Tapa del objetivo	(1)
Cable de alimentación de CA	(1)
Manual de instrucciones	(1)
Manual de instrucciones de red	(1)
Manual de instalación para proveedores	(1)
Folleto de garantía	(1)

Diseño y especificaciones sujetos a cambios sin previo aviso.

---

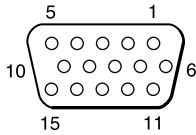
### Accesorios opcionales

Lámpara de proyector LMP-F250	(para sustitución)
Soporte de suspensión de proyector PSS-620	
Cable de monitor	SMF-400 (HD D-sub de 15 pines (macho) ↔ 5 × BNC (macho))
Cable de interfaz de señales	SIC-10 (5 × BNC (macho) ↔ 5 × BNC (macho))
Objetivo de proyección	Objetivo zoom de enfoque largo VPLL-ZM101 Objetivo zoom de enfoque corto VPLL-ZM31 Objetivo fijo de enfoque corto VPLL-FM21

*Algunos productos pueden no estar disponibles en algunas zonas. Para obtener más información, póngase en contacto con el proveedor Sony más próximo.*

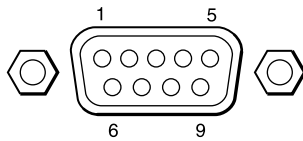
## Asignación de pines

### Conector MONITOR OUT (HD D-sub de 15 pines, hembra)



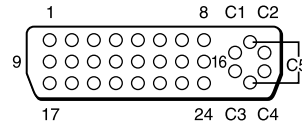
1	R	9	N.C.
2	G	10	GND
3	B	11	GND
4	NC	12	NC
5	GND	13	HD/C.Sync
6	GND (R)	14	VD
7	GND (G)	15	NC
8	GND (B)		

### Conector RS-232C (D-sub de 9 pines, hembra)



1	DCD	6	DSR
2	RX DA	7	RTS
3	TX DA	8	CTS
4	DTR	9	RI
5	GND		

### Conector de entrada DVI (DVI-I, hembra)



1	T.M.D.S. Data2-	16	Hot Plug Detect
2	T.M.D.S. Data2+	17	T.M.D.S. Data0-
3	T.M.D.S. Data2/4 Shield	18	T.M.D.S. Data0+
4	T.M.D.S. Data4-	19	T.M.D.S. Data0/5 Shield
5	T.M.D.S. Data4+	20	T.M.D.S. Data5-
6	DDC Clock	21	T.M.D.S. Data5+
7	DDC Data	22	T.M.D.S. Clock Shield
8	Analog Vertical Sync	23	T.M.D.S. Clock+
9	T.M.D.S. Data1-	24	T.M.D.S. Clock-
10	T.M.D.S. Data1+	C1	Analog Red
11	T.M.D.S. Data1/3 Shield	C2	Analog Green
12	T.M.D.S. Data3-	C3	Analog Blue
13	T.M.D.S. Data3+	C4	Analog Horizontal Sync
14	+5V Power	C5	Analog Ground
15	Ground (return for +5V, HSync, and VSync)		(analog R, G & B return)



---

# Índice alfabético

---

## A

Accesorios opcionales 33 (ES)  
 Accesorios suministrados 33 (ES)  
 AHORRO ENERGIA 9 (ES), 24 (ES)  
 Ajustador 8 (ES)  
 Ajuste  
   el tamaño/desplazamiento de la imagen 22 (ES)  
   la imagen 20 (ES)  
   memoria de los ajustes 19 (ES)  
 Alimentación  
   activación 16 (ES)  
   desactivación 18 (ES)  
 Asignación de pines 34 (ES)  
 ASPECTO 22 (ES)

## B

BRILLO 20 (ES)  
 BÚSQ ENTR AUTO 24 (ES)

## C

COLOR 20 (ES)  
 COLOR MENU 25 (ES)  
 Condensación 27 (ES)  
 Conector DVI 13 (ES)  
   asignación de pines 34 (ES)  
 Conectores de entrada 5BNC 10 (ES)  
 Conector RS-232C 10 (ES)  
   asignación de pines 34 (ES)  
 Conexiones  
   equipo componente 14 (ES)  
   LAN 14 (ES)  
   ordenador 13 (ES)  
   videgrabadora 13 (ES)  
 CONT LAMPARA 25 (ES)  
 CONTRASTE 20 (ES)  
 CONV EXPLO (convertidor de exploración) 22 (ES)  
 CTRL OBJETIVO 25 (ES)

## D

DDE (Digital Detail Enhancer) 21 (ES)  
 Desactivación  
   la imagen 17 (ES)  
 DESPLAZ 22 (ES)  
 DESPLAZ OBJETIVO 8 (ES), 17 (ES)  
 Detector de mando a distancia  
   ajuste 24 (ES)  
   frontal 7 (ES)  
   posterior 7 (ES)  
 DI TRA DIG MEM 25 (ES)  
 DIST TRAP DIG 25 (ES)

## E

Ejemplos de instalación 26 (ES)  
 ENTRAD A 24 (ES)  
 Especificaciones 32 (ES)  
 ESTADO (indicación en pantalla) 24 (ES)

## F, G, H

FASE PUNTO 21 (ES)  
 Filtro de aire 29 (ES)  
 FOCO OBJETIVO 8 (ES), 17 (ES)  
 FONDO MENU 25 (ES)  
 Función APA 17 (ES)  
 FUNCION ENTR C 25 (ES)

## I, J, K, L

IDIOMA 24 (ES)  
 IMAG DI (dinámica) 20 (ES)  
 INSTALACION 25 (ES)

## M

Mando a distancia  
   función de puntero láser 18 (ES)  
   instalación de las pilas 12 (ES)  
   tecla D ZOOM 18 (ES)  
   tecla FUNCTION 11 (ES)  
   ubicación y función de los controles 11 (ES)

### Mensajes

aviso 31 (ES)  
 precaución 31 (ES)

### Menú

desactivación de la pantalla de menú 19 (ES)  
 Menú AJUS ENTRAD 21 (ES)  
 Menú AJUSTE 23 (ES)  
 Menú AJUSTE INST 24 (ES)  
 Menú CTRL IMAGEN 20 (ES)  
 uso del menú 19 (ES)

Menú AJUS ENTRAD 21 (ES)  
 Menú AJUSTE 23 (ES)  
 Menú AJUSTE INST 24 (ES)  
 Menú CTRL IMAGEN 20 (ES)  
 MODO GAMMA 20 (ES)  
 MODO LAMPARA 25 (ES)

## N

NITIDEZ 20 (ES)  
 Notas para la instalación 27 (ES)  
   condiciones de uso inadecuadas 27 (ES)  
   instalación inadecuada 27 (ES)

## O

Orificios de ventilación  
   aspiración 7 (ES)  
   exhaustación 7 (ES)

## P, Q

Pila  
   instalación 12 (ES)  
   notas 12 (ES)  
 POSICION MENU 25 (ES)  
 POTENCIA RVA 20 (ES)  
 Precauciones 5 (ES)  
 Proyección 16 (ES)

## R

RECEPTOR IR 24 (ES)  
 Restauración  
   elementos que pueden restaurarse 19 (ES)  
   restauración de elementos 19 (ES)

## S

SIST (sistema) COLOR 21 (ES)  
 Solución de problemas 30 (ES)  
 Sustitución de la lámpara 28 (ES)

## T

TAMANO H 22 (ES)  
 Tamaño de la pantalla 12 (ES), 32 (ES)  
 TEMP COLOR 20 (ES)  
 TERMIN ENTR B 24 (ES)  
 TONALIDAD 20 (ES)

## U, V, W, X, Y

Ubicación y función de los controles  
   Mando a distancia 11 (ES)  
   panel de conectores 10 (ES)  
   panel de control 8 (ES)  
   parte frontal 7 (ES)  
   parte posterior/inferior 7 (ES)

## Z

ZOOM OBJETIVO 8 (ES), 17 (ES)





<http://www.sony.net/>

Printed on recycled paper

Sony Corporation Printed in Japan