

# *LCD Data Projector*

---

- Operating Instructions \_\_\_\_\_ **GB**
- Mode d'emploi \_\_\_\_\_ **FR**
- Manual de instrucciones \_\_\_\_\_ **ES**

**VPL-CS3**

# WARNING

To prevent fire or shock hazard, do not expose the unit to rain or moisture.

To avoid electrical shock, do not open the cabinet. Refer servicing to qualified personnel only.



This symbol is intended to alert the user to the presence of uninsulated “dangerous voltage” within the product’s enclosure that may be of sufficient magnitude to constitute a risk of electric shock to persons.



This symbol is intended to alert the user to the presence of important operating and maintenance (servicing) instructions in the literature accompanying the appliance.

## For the customers in the USA

If you have any questions about this product, you may contact:

Sony Electronics Inc.

Attn: Business Information Center (BIC)

12451 Gateway Boulevard

Ft. Myers, Florida 33913

Telephone No.: 800-686-7669

The number below is for FCC related matters only.

## Declaration of Conformity

Trade Name: SONY

Model No.: VPL-CS3

Responsible Party: Sony Electronics Inc.

Address: 680 Kinderkamack Road,  
NJ 07649 U.S.A.

Telephone No.: 201-930-6972

This device complies with Part 15 of the FCC Rules. Operation is subject to the following two conditions: (1) This device may not cause harmful interference, and (2) this device must accept any interference received, including interference that may cause undesired operation.

This equipment has been tested and found to comply with the limits for a Class B digital device, pursuant to Part 15 of the FCC Rules. These limits are designed to provide reasonable protection against harmful interference in a residential installation. This equipment generates, uses, and can radiate radio frequency energy and, if not installed and used in accordance with the instructions, may cause harmful interference to radio communications. However, there is no guarantee that interference will not occur in a particular installation. If this equipment does cause harmful interference to radio or television reception, which can be determined by turning the equipment off and on, the user is encouraged to try to correct the interference by one or more of the following measures:

- Reorient or relocate the receiving antenna.
- Increase the separation between the equipment and receiver.
- Connect the equipment into an outlet on a circuit different from that to which the receiver is connected.
- Consult the dealer or an experienced radio/TV technician for help.

You are cautioned that any changes or modifications not expressly approved in this manual could void your authority to operate this equipment.

### **For the customers in Canada**

This Class B digital apparatus complies with Canadian ICES-003.

### **Voor de klanten in Nederland**



Bij dit product zijn batterijen geleverd. Wanneer deze leeg zijn, moet u ze niet weggooien maar inleveren als KCA.

The socket-outlet should be installed near the equipment and be easily accessible.



---

# Table of Contents

---

## **Overview**

Precautions .....	6
Features .....	7
Location and Function of Controls ..	8
Front/Side/Bottom .....	8
Rear/Left Side .....	8
Control Panel .....	10
Connector Panel .....	11
Remote Commander .....	11

---

## **Setting Up and Projecting**

Installing the Projector .....	13
Connecting the Projector .....	14
Connecting with a Computer .....	14
Connecting with a VCR or 15k RGB/Component Equipment .....	15
Selecting the Menu Language .....	17
Projecting .....	19
Effective Tools for Your Presentation .....	22

---

## **Adjustments and Settings Using the Menu**

Using the MENU .....	23
The PICTURE CTRL Menu .....	24
The INPUT SETTING Menu .....	25
The SET SETTING Menu .....	27
The INSTALL SETTING Menu .....	28

---

## **Maintenance**

Maintenance .....	29
Replacing the Lamp .....	29
Cleaning the Air Filter .....	30
Troubleshooting .....	31
Warning Messages .....	33
Caution Messages .....	33

---

## **Other**

Notes on Installation .....	34
Unsuitable Installation .....	34
Unsuitable Conditions .....	34
Specifications .....	35
Index .....	40

---

## Precautions

---

### On safety

- Check that the operating voltage of your unit is identical with the voltage of your local power supply.
- Should any liquid or solid object fall into the cabinet, unplug the unit and have it checked by qualified personnel before operating it further.
- Unplug the unit from the wall outlet if it is not to be used for several days.
- To disconnect the cord, pull it out by the plug. Never pull the cord itself.
- The wall outlet should be near the unit and easily accessible.
- The unit is not disconnected to the AC power source (mains) as long as it is connected to the wall outlet, even if the unit itself has been turned off.
- Do not look into the lens while the lamp is on.
- Do not place your hand or objects near the ventilation holes. The air coming out is hot.
- Be careful not to catch your fingers by the adjuster when you adjust the height of the projector. Do not push hard on the top of the projector with the adjuster out.

---

### On illumination

- To obtain the best picture, the front of the screen should not be exposed to direct lighting or sunlight.
- Ceiling-mounted spot lighting is recommended. Use a cover over fluorescent lamps to avoid lowering the contrast ratio.
- Cover any windows that face the screen with opaque draperies.
- It is desirable to install the projector in a room where floor and walls are not of light-reflecting material. If the floor and walls are of reflecting material, it is recommended that the carpet and wall paper be changed to a dark color.

---

### On preventing internal heat build-up

After you turn off the power with the I / ⏻ key, do not disconnect the unit from the wall outlet while the cooling fan is still running.

### Caution

The projector is equipped with ventilation holes (intake) and ventilation holes (exhaust). Do not block or place anything near these holes, or internal heat build-up may occur, causing picture degradation or damage to the projector.

---

### On cleaning

- To keep the cabinet looking new, periodically clean it with a soft cloth. Stubborn stains may be removed with a cloth lightly dampened with a mild detergent solution. Never use strong solvents, such as thinner, benzene, or abrasive cleansers, since these will damage the cabinet.
- Avoid touching the lens. To remove dust on the lens, use a soft dry cloth. Do not use a damp cloth, detergent solution, or thinner.
- Clean the filter at regular intervals.

---

### On repacking

- Save the original shipping carton and packing material; they will come in handy if you ever have to ship your unit. For maximum protection, repack your unit as it was originally packed at the factory.

---

### On LCD projector

- The LCD projector is manufactured using high-precision technology. You may, however, see tiny black points and/or bright points (red, blue, or green) that continuously appear on the LCD projector. This is a normal result of the manufacturing process and does not indicate a malfunction.

# Features

## High portability

- **Light weight/small size/simple design**

This projector has been miniaturized to approx. 2.4 kg (5 lb 5 oz) in weight and B5-file size.

When the front cover equipped with the control functions is closed, the design of the projector is very simple.

You can carry it easily with your computer.

## Quiet operation

Because the projector uses Sony's unique cooling mechanism, it operates quietly.

## High brightness, high picture quality

- **High brightness**

Adopting the high-efficiency optical system and the 120 W UHP lamp allows high brightness (light output 700 ANSI lumen) and excellent uniformity on the picture.

- **High resolution**

Three 0.7-inch, about 480,000 pixel, SVGA panels provide a resolution of 800 × 600 dots for RGB input and 600 horizontal TV lines for video input.

## Easy presentation

- **Simple setup with external equipment**

This projector is preset for 25 kinds of input signals. You can project images from an external signal source just by connecting the equipment with the supplied cable and pushing the APA key.

- **Easy-to-use Remote Commander**

The Remote Commander is equipped with various convenient keys, including the D ZOOM key for zooming in on the image, the FREEZE key for keeping the image projected even if the equipment is disconnected, and the D KEYSTONE key for correcting trapezoidal distortion of the picture.

## Accepts various input signals

- **Scan converter loaded**

This projector has a built-in scan converter that converts the input signal within 800 × 600 dots.

- **Compatible input signals**

This projector accepts video signals of composite, S video, and component as well as VGA, SVGA, and XGA signals, which all can be displayed.

- **Compatible with six color systems**

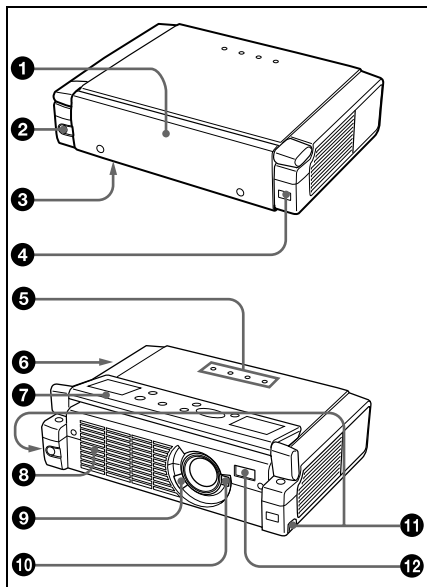
NTSC, PAL, SECAM, NTSC<sup>4.43</sup><sup>1)</sup>, PAL-M, or PAL-N color system can be selected automatically or manually.

1)NTSC<sup>4.43</sup> is the color system used when playing back a video recorded on NTSC on a NTSC<sup>4.43</sup> system VCR.

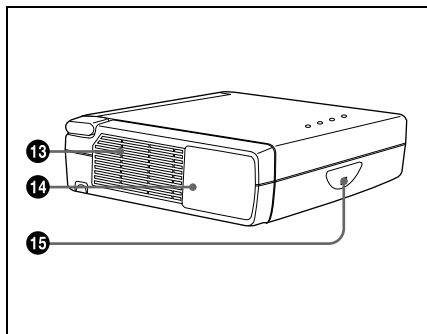
- Windows is a registered trademark of Microsoft Corporation in the United States and/or other countries.
- VGA, SVGA and XGA are registered trademarks of the International Business Machines Corporation, U.S.A.
- Macintosh is a registered trademark of Apple Computer, Inc.
- IBM PC/AT is a registered trademark of International Business Machines Corporation, U.S.A.
- VESA is a registered trademark of Video Electronics Standard Association.
- Display Data Channel is a trademark of Video Electronics Standard Association.
- PC-98 is a trademark of NEC Corporation.

# Location and Function of Controls

## Front/Side/Bottom



## Rear/Left Side



### 1 Front cover

Press the OPEN button to open the front cover.

### 2 OPEN button

### 3 Lamp cover (bottom)


### 4 Front remote control detector (SIRCS receiver)

### 5 Indicators

- **LAMP/COVER:** Lights up or flashes under the following conditions:
  - Lights up when the lamp has reached the end of its life or becomes a high temperature.
  - Flashes when the lamp cover or air filter cover is not secured firmly.
- **TEMP (Temperature)/FAN:** Lights up or flashes under the following conditions:
  - Lights up when temperature inside the projector becomes unusually high.
  - Flashes when the fan is broken.
- **POWER SAVING:** Lights up when the projector is in power saving mode. When POWER SAVING in the SET SETTING menu is set to ON, the projector goes into power saving mode if no signal is input for 10 minutes. Although the lamp goes out, the cooling fan keeps running. In power saving mode, any key does not function for the first 60 seconds. The power saving mode is canceled when a signal is input or any key is pressed.
- **ON/STANDBY:** Lights up or flashes under the following conditions:
  - Lights in red when a AC power cord is plugged into a wall outlet. Once in standby mode, you can turn on the projector with the I / ⏻ key.
  - Lights in green when the power is turned on.
  - Flashes in green while the cooling fan runs after the power is turned off with the I / ⏻ key. The fan runs for about 90 seconds after the power is turned off.

The ON/STANDBY indicator flashes quickly for the first 60



seconds. During this time, you cannot light up the ON/STANDBY indicator with the I /  key.

*For details on the LAMP/COVER and the TEMP/FAN indicators, see on pages 32, 33.*

**6 Security lock (right side)**

Connects to an optional security cable (Kensington's).

The security lock corresponds to Kensington's MicroSaver<sup>®</sup> Security System.

If you require further information, contact

Kensington  
2855 Campus Drive  
San Mateo, CA 94403

In North America  
Phone: 800-235-6708  
Fax: 800-247-1317

Outside North America  
Phone: 847-541-9500

Home page address:  
<http://www.kensington.com/>

**7 Control panel**

*For details, see "Control Panel" on page 10.*

**8 Ventilation holes (exhaust)**

**9 Focus lever**

Adjusts the picture focus.

**10 Zoom lever**

Adjusts the picture size.

**11 Adjuster adjustment buttons**

*For details, see "How to use the adjuster" on page 10.*

**12 AC IN socket**

Connects the supplied AC power cord.

**13 Ventilation holes (intake)/air filter cover**

**Notes**

- Do not place anything near the ventilation holes as it may cause internal heat build-up.
- Do not place your hand or objects near the ventilation holes as it may cause the air coming out heat build-up.
- To maintain optimal performance, **clean the air filter every 300 hours.**

**14 Connector panel**

*For details, see "Connector Panel" on page 11.*

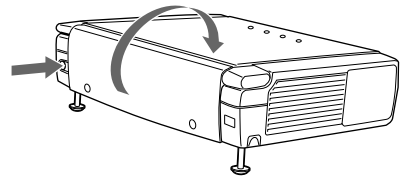
**15 Rear remote control detector (SIRCS receiver)**

**How to open/close the front cover**

**To open the front cover**

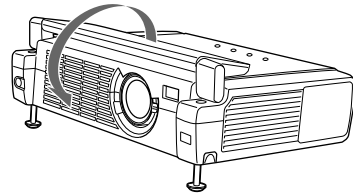
Press the OPEN button.

The front cover is opened and set on the top panel of the projector.



**To close the front cover**

Restore the front cover by hand.



**Note**

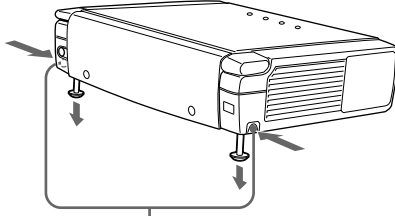
Do not tilt the projector out of the range of the adjuster setting when you open the front cover. If the projector is tilted too much, the front cover opens speedily or slowly.

## How to use the adjuster

### To adjust the height

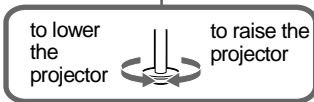
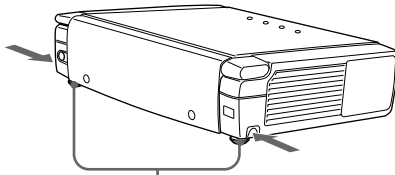
Adjust the height of the projector as follows:

- 1 Lift the projector and press the adjuster adjustment buttons. The adjusters will extend from the projector.



Adjuster adjustment buttons

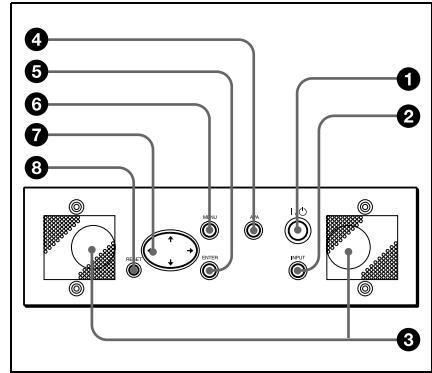
- 2 While pressing the buttons, lower the projector. Then, release the buttons. For fine adjustment, turn the adjusters to the right and the left



### Notes

- Be careful not to let the projector down on your fingers.
- Do not push hard on the top of the projector with the adjusters out. It may be occurred malfunction.

## Control Panel



### 1 I / ⏻ (on/standby) key

Turns on and off the projector when the projector is in standby mode. The ON/STANDBY indicator lights in green when the power is turned on. When turning off the power, press the I / ⏻ key twice following the message on the screen, or press and hold the key for about one second.

*For details on steps for turning off the power, see "To turn off the power" on page 21.*

### 2 INPUT key

Selects the input signal. Each time you press the key, the input signal switches as follows:



### 3 Speakers

### 4 APA (Auto Pixel Alignment) key

Adjusts a picture clearest automatically while a signal is input from a computer.

### 5 ENTER key

Enters the settings of items in the menu system.

### 6 MENU key

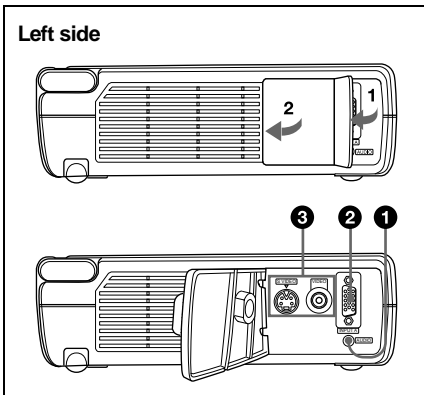
Displays the on-screen menu. Press again to clear the menu.

**7 Arrow key (↑/↓/←/→)**

Select the menu or to make various adjustments.

**8 RESET key**

Resets the value of an item back to its factory preset value. This key functions when the menu or a setting item is displayed on the screen.

**Connector Panel****1 AUDIO (stereo minijack) connector**

When listening to sound output from the computer, connect to the audio output of the computer.

When listening to sound output from the VCR, connect to the audio output of the VCR.

**2 INPUT A connector (HD D-sub 15-pin, female)**

Connect to external equipment such as a computer.

Connects to the monitor output on a computer using the supplied cable.

When inputting a component or 15k RGB signal, use an optional cable.

**3 Video input connector**

Connect to external video equipment such as a VCR.

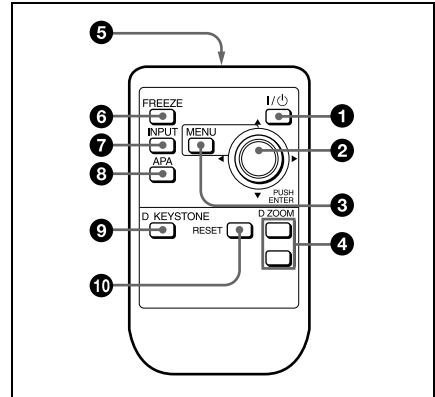
- **VIDEO (phono type):** Connects to the composite video output of video equipment.

- **S VIDEO (mini DIN 4-pin):**

Connects to the S video output (Y/C video output) of video equipment.

**Remote Commander**

The keys that have the same names as those on the control panel function identically.

**1 I /  $\odot$  key**

Press the center of the key to use ENTER.

**2 ENTER/arrow key (↑/↓/←/→)**

Press the center of the key to use ENTER.

**3 MENU key****4 D ZOOM +/- key**

Enlarges the image at a desired location on the screen.

+: Pressing the + key once displays the icon. This icon indicates the point you want to enlarge. Use an arrow key (↑/↓/←/→) to move the icon to the point to be enlarged. Press the + key repeatedly until the image is enlarged to your requirements.

–: Pressing the – key reduces an image that has been enlarged with the D ZOOM + key.

**5 Infrared transmitter****6 FREEZE key**

Used to freeze the picture projected. To cancel the freeze function, press the key again.

## 7 INPUT key

## 8 APA (Auto Pixel Alignment) key

## 9 D KEYSTONE key

Corrects trapezoidal distortion of the picture. Use the arrow key (↑/↓/←/→) to adjust the angle.

## 10 RESET key

Resets the value of items back to its factory preset value or returns the enlarged image back to its original size.

---

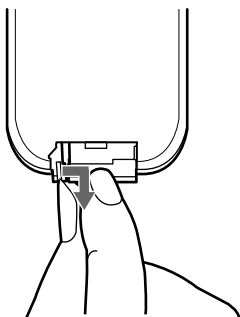
### Before using the Remote Commander

Pull out the clear film from the lithium battery holder.

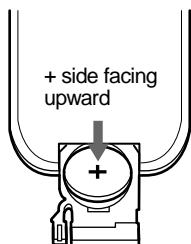
---

### To replace battery

- 1 Release the lock of the lithium battery holder by picking it, and pull out the holder from the Remote Commander.



- 2 Install the lithium battery.



- 3 Put the lithium battery holder back into the Remote Commander.

### Notes on the lithium battery

- Keep the lithium battery out of the reach of children.
- Should the battery be swallowed, immediately consult a doctor.

### CAUTION

Danger of explosion if battery is incorrectly replaced. Replace only with the same or equivalent type recommended by the manufacturer.

Dispose of used batteries according to the manufacturer's instructions.

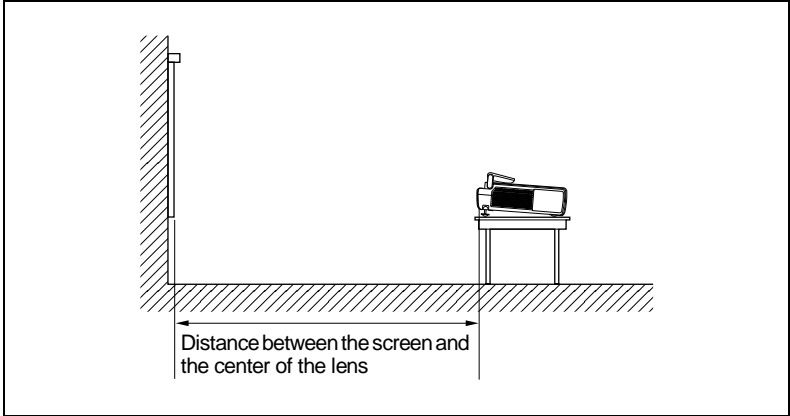
### Notes on Remote Commander operation

- Make sure that nothing obstructs the infrared beam between the Remote Commander and the remote control detector on the projector. Direct the Remote Commander toward the front or rear remote control detector.
- The operation range is limited. The shorter the distance between the Remote Commander and the projector is, the wider the angle within which the commander can control the projector becomes.

# Installing the Projector

This section describes how to install the projector.

The distance between the lens and the screen varies depending on the size of the screen. Use the following table as a guide.



Setting Up and Projecting

Unit: m (feet)

Screen size (inches)	40	60	80	100	120	150
Minimum Distance	1.6 (5.2)	2.4 (7.9)	3.2 (10.6)	4.0 (13.2)	4.9 (15.9)	6.1 (19.9)
Maximum Distance	1.8 (6.0)	2.8 (9.1)	3.7 (12.2)	4.7 (15.3)	5.6 (18.4)	7.0 (23.0)

**Note**

You can not install the projector upside down, such as on a ceiling.

---

# Connecting the Projector

## When making connections, be sure to do the following:

- Turn off all equipment before making any connections.
- Use the proper cables for each connection.
- Insert the cable plugs properly; plugs that are not fully inserted often generate noise. When pulling out a cable, be sure to pull it out from the plug, not the cable itself.

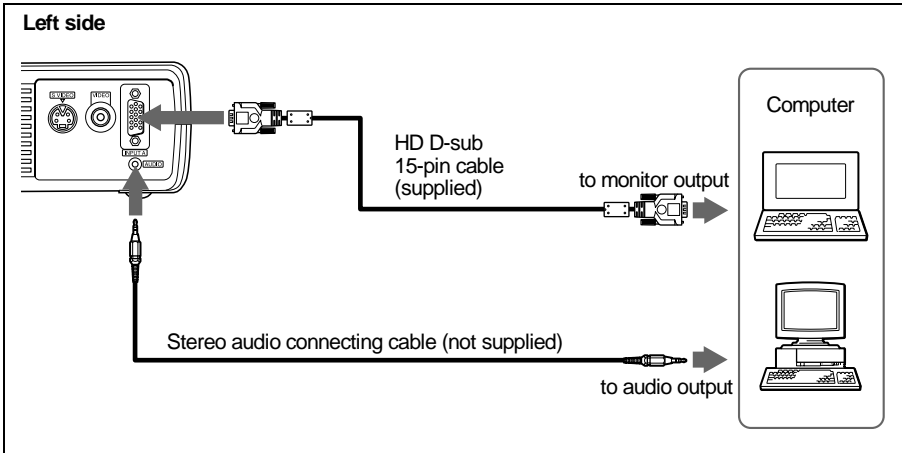
## Connecting with a Computer

This section describes how to connect the projector to a computer. For more information, refer to the computer's instruction manual.

### Notes

- The projector accepts VGA, SVGA, and XGA signals. However, we recommend that you set the output mode of your computer to SVGA mode for the external monitor.
- If you set your computer, such as a notebook type, to output the signal to both your computer's display and the external monitor, the picture of the external monitor may not appear properly. Set your computer to output the signal to only the external monitor.  
*For details, refer to the computer's operating instructions supplied with your computer.*
- This projector is compatible with a DDC2B (Digital Data Channel 2B). If your computer is compatible with a DDC, turn the projector on according to the following procedures.
  - 1** Connect the projector to the computer by using the supplied HD D-sub 15 pin cable.
  - 2** Turn the projector on.
  - 3** Start the computer.

## To connect an IBM PC/AT compatible computer



## To connect a Macintosh computer

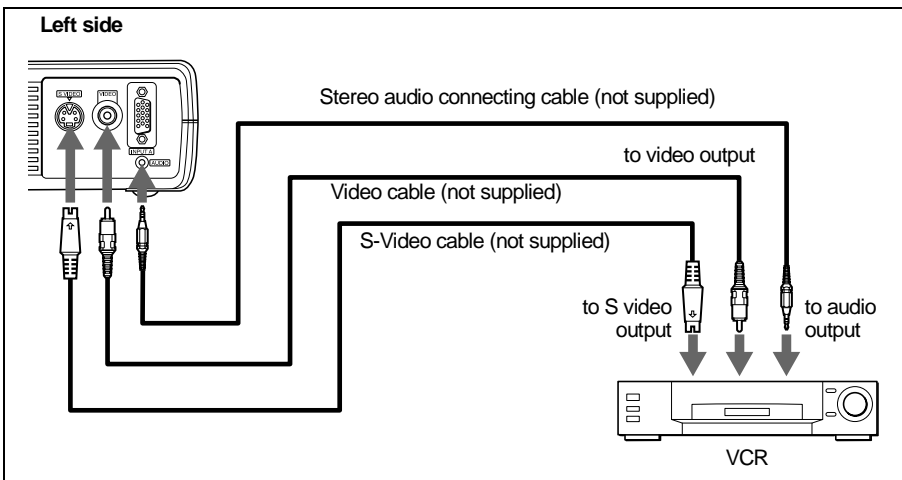
Use an ADP-20 signal adapter (not supplied).

## Connecting with a VCR or 15k RGB/Component Equipment

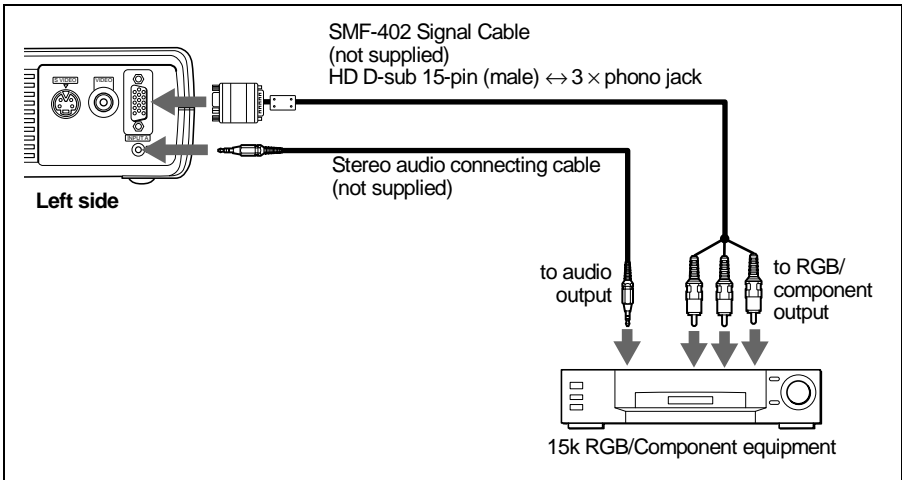
This section describes how to connect the projector to a VCR and 15k RGB/component equipment.

For more information, refer to the instruction manuals of the equipment you are connecting.

## To connect a VCR



## To connect a 15k RGB/Component equipment



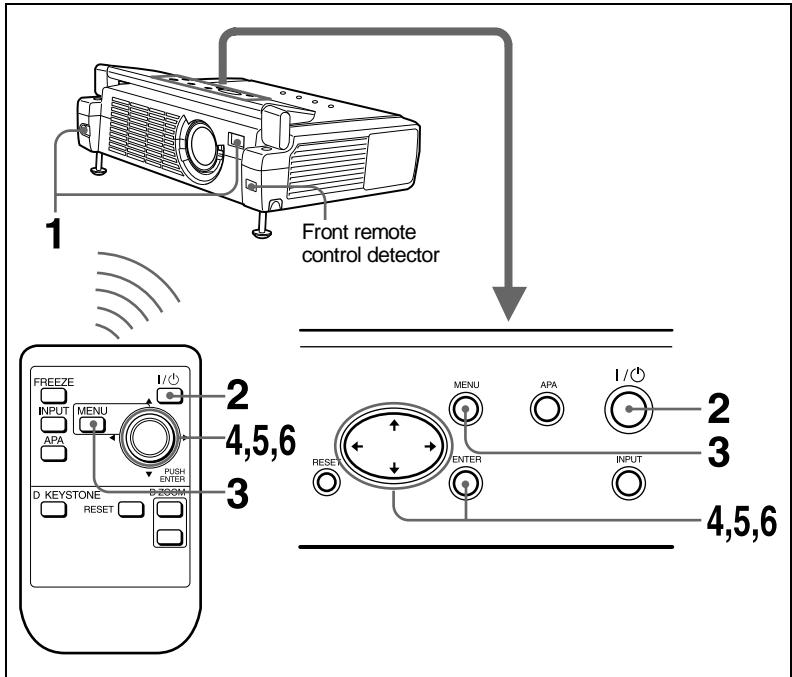
### Notes

- Set the aspect ratio using ASPECT in the INPUT SETTING menu according to the input signal.
- When you connect the unit to 15k RGB or component video equipment, select video GBR or component with the INPUT-A setting in the SET SETTING menu.
- Use the composite sync signal when you input the external sync signal from 15k RGB/component equipment.

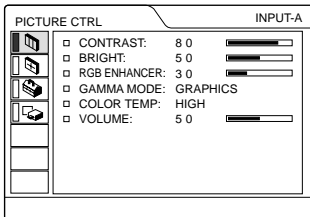


# Selecting the Menu Language

You can select one of seven languages for displaying the menu and other on-screen displays. The factory setting is English.

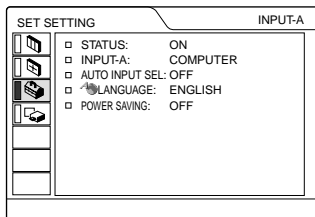


- 1 Open the front cover, then plug the AC power cord into a wall outlet.
- 2 Press the I / ⏻ key to turn on the projector.
- 3 Press the MENU key.  
The menu appears.  
The menu presently selected is shown as a yellow button.

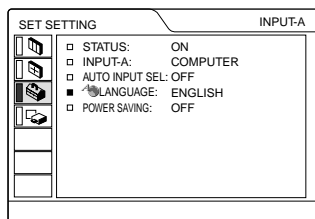


- 4 Press the **↑** or **↓** key to select the SET SETTING menu, then press the **→** or ENTER key.

The selected menu appears.



- 5 Press the **↑** or **↓** key to select "LANGUAGE," then press the **→** or ENTER key.



- 6 Press the **↑** or **↓** key to select a language, then press the **←** or ENTER key.

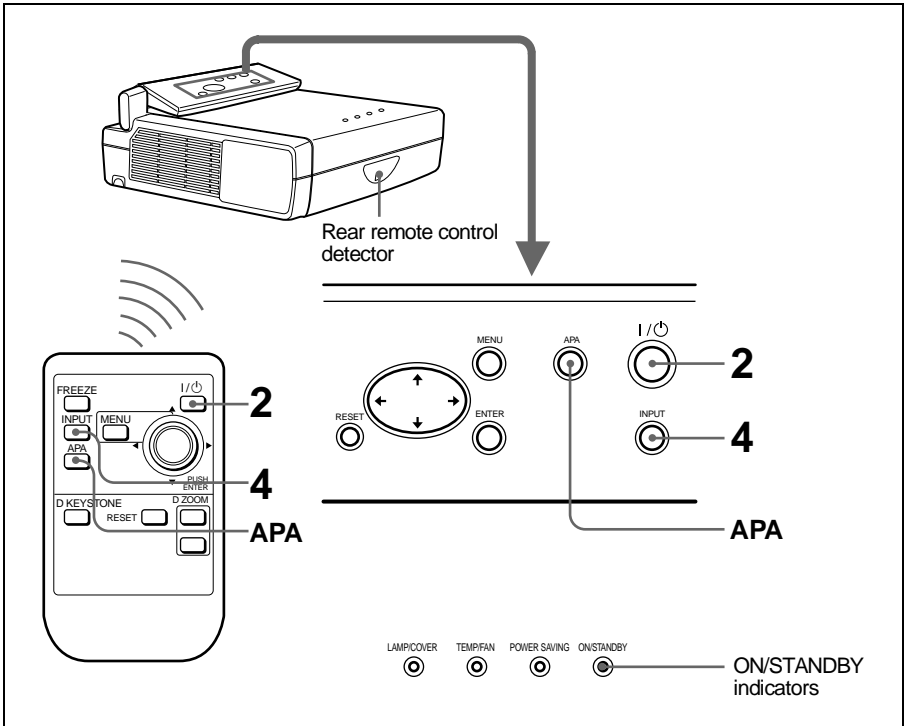
The menu changes to the selected language.

### To clear the menu

Press the MENU key.

The menu disappears automatically if a key is not pressed for one minute.

# Projecting



- 1** Open the front cover, plug the AC power cord into a wall outlet, then connect all equipment.  
The ON/STANDBY indicator lights in red and the projector goes into standby mode.
- 2** Press the I / ⏻ key.  
The ON/STANDBY indicator lights in green.
- 3** Turn on the equipment connected to the projector.
- 4** Press the INPUT key to select the input source.

To input from	Press INPUT to display
Computer connected to the INPUT A connector	INPUT A
Video equipment connected to the VIDEO input connector	VIDEO
Video equipment connected to the S VIDEO input connector	S VIDEO

**5** Turn the zoom lever to adjust the size of the picture.

**6** Turn the focus lever to adjust the focus.

**Caution**

Looking into the lens when projecting may cause injury to your eyes.

**To adjust the volume**

The volume can be adjusted in the on-screen menu. See “VOLUME” in the PICTURE CTRL menu on page 25.

**To get the clearest picture**

You can adjust picture quality when projecting a signal from the computer.

**1** Project a still picture from the computer.

**2** Press the APA key.

“Complete!” appears on the screen when the picture is adjusted properly.

**Notes**

- Press the APA key when the full image is displayed on the screen. If there are black edges around the image, the APA function will not function properly and the image may extend beyond the screen.
- When you switch the input signal or re-connect a computer, press the APA key again to adjust the picture again.
- You can cancel the adjustment by pressing the APA key again while “ADJUSTING” appears on the screen.
- The picture may not be adjusted properly depending on the kinds of input signals.
- Adjust the items in the INPUT SETTING menu when you adjust the picture manually.

## To turn off the power

- 1 Press the I / ⏻ key.

“POWER OFF? Please press I / ⏻ key again.” appears to confirm that you want to turn off the power.

### Note

A message disappears if you press any key except the I / ⏻ key, or if you do not press any key for five seconds.

- 2 Press the I / ⏻ key again.

The ON/STANDBY indicator flashes in green and the fan continues to run for about 90 seconds to reduce the internal heat. Also, the ON/STANDBY indicator flashes quickly for the first 60 seconds. During this time, you will not be able to light up the ON/STANDBY indicator with the I / ⏻ key.

- 3 Unplug the AC power cord from the wall outlet after the fan stops running and the ON/STANDBY indicator lights in red.

### When you cannot confirm the on-screen message

When you cannot confirm the on-screen message in a certain condition, you can turn off the power by holding the I / ⏻ key for about one second.

### Note

Do not unplug the AC power cord while the fan is still running; otherwise, the fan will stop even though the internal heat is still high, which could result in a breakdown of the projector.

### On air filter

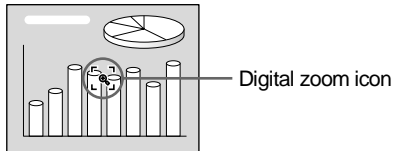
To maintain optimal performance, **clean the air filter every 300 hours.**

## Effective Tools for Your Presentation

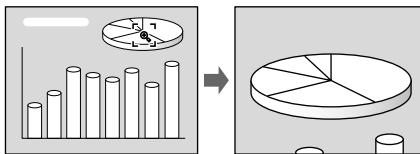
### To enlarge the image (Digital Zoom function)

You can select a point in the image to enlarge. This function works only when a signal from a computer is input.

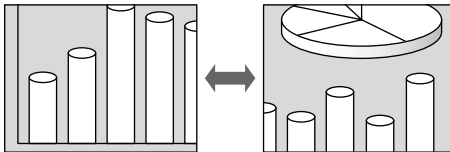
- 1 Press the D ZOOM + key on the Remote Commander.  
The digital zoom icon appears the center of the image.



- 2 Move the icon to the point on the image you want to enlarge. Use the arrow key (↑/↓/←/→) to move the icon.
- 3 Press the D ZOOM + key again.  
The image where the icon is located is enlarged. The enlargement ratio is displayed on the screen for a few seconds.  
By pressing the + key repeatedly, the image size increases (ratio of enlargement: max. 4 times.)



Use the arrow key (↑/↓/←/→) to scroll the enlarged image.



### To return the image back to its original size

Press the D ZOOM – key.

Just pressing the RESET key returns the image back to its original size immediately.

### To freeze the image projected (Freeze function)

Press the FREEZE key. "FREEZE" appears when the key is pressed. This function works only when a signal from a computer is input.

To restore the original screen, press the FREEZE key again.

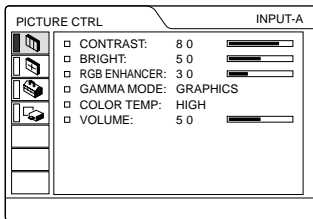
## Using the MENU

The projector is equipped with an on-screen menu for making various adjustments and settings. You can change the menu language displayed in the on-screen menu.

To change the menu language, see “Selecting the Menu Language” on page 17.

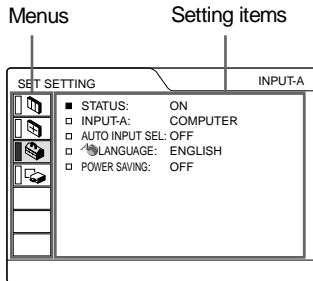
### 1 Press the MENU key.

The menu appears.  
The menu presently selected is shown as a yellow button.



### 2 Use the ↑ or ↓ key to select a menu, then press the → or ENTER key.

The selected menu appears.



### 3 Select an item.

Use the ↑ or ↓ key to select the item, then press the → or ENTER key.

### 4 Make the setting or adjustment on an item.

- When changing the adjustment level:  
To increase the number, press the ↑ or → key.  
To decrease the number, press the ↓ or ← key.  
Press the ENTER key to restore the original screen.
- When changing the setting:  
Press the ↑ or ↓ key to change the setting.  
Press the ENTER or ← key to restore the original screen.

### To clear the menu

Press the MENU key.  
The menu disappears automatically if a key is not pressed for one minute.

### To reset items that have been adjusted

Press the RESET key.  
“Complete!” appears on the screen and the settings appearing on the screen are reset to their factory preset values.

Items that can be reset are:

- “CONTRAST,” “BRIGHT,” “COLOR,” “HUE,” “SHARP,” and “RGB ENHANCER” in the PICTURE CTRL menu
- “DOT PHASE,” “SIZE H,” and “SHIFT” in the INPUT SETTING menu
- “DIGIT KEYSTONE” in the INSTALL SETTING menu.

### About the memory of the settings

The settings are automatically stored in the projector memory.

### If no signal is input

If there is no input signal, “NO INPUT— Cannot adjust this item.” appears on the screen.

### About the menu display

You can set the display position of the menu, intensity of the background picture and tone of the menu items as you like.

For details, see page 28.

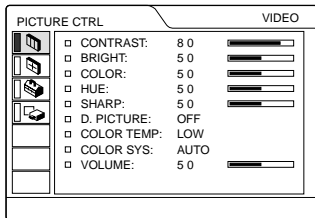
---

# The PICTURE CTRL Menu

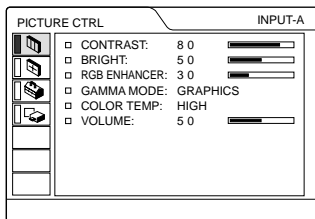
The PICTURE CTRL (control) menu is used for adjusting the picture. Items that cannot be adjusted depending on the input signal are not displayed in the menu.

*For details on the unadjustable items, see page 37.*

## When the video signal is input



## When the RGB signal is input



---

## Menu Items

---

### CONTRAST

Adjusts the picture contrast. The higher the setting, the greater the contrast. The lower the setting, the lower the contrast.

---

### BRIGHT

Adjusts the picture brightness. The higher the setting, the brighter the picture. The lower the setting, the darker the picture.

---

### COLOR

Adjusts color intensity. The higher the setting, the greater the intensity. The lower the setting, the lower the intensity.

---

### HUE

Adjusts color tones. The higher the setting, the picture becomes greenish. The lower the setting, the picture becomes purplish.

---

### SHARP

Adjusts the picture sharpness. The higher the setting, the sharper the picture. The lower the setting, the softer the picture.

---

### RGB ENHANCER

Adjusts the picture sharpness when RGB signals are input. The higher the setting, the sharper the picture. The lower the setting, the softer the picture.

---

### D. (Dynamic) PICTURE

Emphasizes the black color.

**ON:** Emphasizes the black color to produce a bolder “dynamic” picture.

**OFF:** Reproduces the dark portions of the picture accurately, in accordance with the source signal.

---

### GAMMA MODE

Selects a gamma correction curve.

**GRAPHICS:** Improves the reproduction of halftones. Photos can be reproduced in natural tones.

**TEXT:** Contrasts black and white. Suitable for images that contain lots of text.

---

### COLOR TEMP

Adjusts the color temperature.

**HIGH:** Makes the white color bluish.

**LOW:** Makes the white color reddish.



## COLOR SYS (System)

Selects the color system of the input signal.

- **AUTO:** NTSC<sub>3.58</sub>, PAL, SECAM and NTSC<sub>4.43</sub> (switched automatically)
- **PAL-M/N:** PAL-M/PAL-N and NTSC<sub>3.58</sub> (switched automatically)

Normally, set to AUTO. If the picture is distorted or colorless, select the color system according to the input signal.

## VOLUME

Adjusts the volume. The volume can be adjusted for each of INPUT A, VIDEO and S VIDEO input.

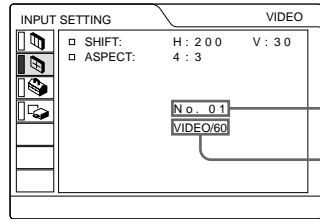
# The INPUT SETTING Menu

The INPUT SETTING menu is used to adjust the input signal.

Items that cannot be adjusted depending on the input signal are not displayed in the menu.

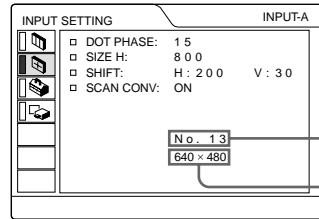
*For details on the unadjustable items, see page 37.*

## When the video signal is input



Memory No.  
Signal type

## When the RGB signal is input



Memory No.  
Signal type

## MENU Items

### DOT PHASE

Adjusts the dot phase of the LCD panel and the signal input from the INPUT A connector.

Adjust the picture further for finer picture after the picture is adjusted by pressing the APA key.

Adjust the picture to where it looks clearest.

---

## SIZE H

Adjusts the horizontal size of picture input from the INPUT A connector. The higher the setting, the larger the horizontal size of the picture. The lower the setting, the smaller the horizontal size of the picture. Adjust the setting according to the dots of the input signal.

*For details on the suitable value for the preset signals, see page 38.*

---

## SHIFT

Adjusts the position of the picture input from the INPUT A connector. H adjusts the horizontal position of the picture. V adjusts the vertical position of the picture. As the setting for H increases, the picture moves to the right, and as the setting decreases, the picture moves to the left.

As the setting for V increases, the picture moves up, and as the setting decreases, the picture moves down. Use the ← or the → key to adjust the horizontal position and the ↑ and ↓ key for the vertical position.

---

## SCAN CONV (Scan converter)

Converts the signal to display the picture according to the screen size.

**ON:** Displays the picture according to the screen size. The picture will lose some clarity.

**OFF:** Displays the picture while matching one pixel of input picture element to that of the LCD. The picture will be clear but the picture size will be smaller.

### Note

When SVGA or XGA signal is input, this item will not be displayed.

---

## ASPECT

Sets the aspect ratio of the picture. When inputting 16:9 (squeezed) signal from equipment such as a DVD player, set to 16:9.

**4:3:** When the picture with ratio 4:3 is input.

**16:9:** When the picture with ratio 16:9 (squeezed) is input.

## About the Preset Memory No.

This projector has 25 types of preset data for input signals (the preset memory). When a preset signal is input, the projector automatically detects the signal type and recalls the data for the signal from the preset memory to adjust it to an optimum picture. The memory number and signal type of that signal are displayed in the INPUT SETTING menu. You can also adjust the preset data through the INPUT SETTING menu.

This projector has 20 types of user memories for INPUT-A into which you can save the setting of the adjusted data for an unpreset input signal.

When an unpreset signal is input for the first time, a memory number is displayed as 0. When you adjust the data of the signal in the INPUT SETTING menu, it will be registered to the projector. If more than 20 user memories are registered, the newest memory always overwrites the oldest one.

*See the chart on page 38 to find if the signal is registered to the preset memory.*

Since the data is recalled from the preset memory about the following signals, you can use these preset data by adjusting SIZE H. Make fine adjustment by adjusting SHIFT.

Signal	Memory No.	SIZE
Super Mac-2	23	1312
SGI-1	23	1320
Macintosh 19"	25	1328

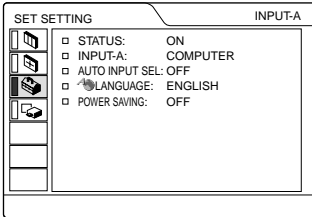
### Note

When the aspect ratio of input signal is other than 4:3, a part of the screen is displayed in black.

---

# The SET SETTING Menu

The SET SETTING menu is used for changing the settings of the projector.



## Menu Items

---

### STATUS (on-screen display)

Sets up the on-screen display.

**ON:** Shows all of the on-screen displays.

**OFF:** Turns off the on-screen displays except for the menus, a message when turning off the power, and warning messages.

---

### INPUT-A

Selects the computer, component or video GBR signal input from the INPUT A connector.

#### Note

If the setting is not correct, "Please check INPUT-A setting." appears on the screen and the color of the picture becomes strange or the picture is not displayed.

---

### AUTO INPUT SEL

When set to ON, the projector detects input signals in the following order: INPUT-A/ VIDEO/S-VIDEO. It indicates the input channel when the power is turned on or the INPUT key is pressed.

---

### LANGUAGE

Selects the language used in the menu and on-screen displays. Available languages are: English, French, German, Italian, Spanish, Japanese and Chinese.

---

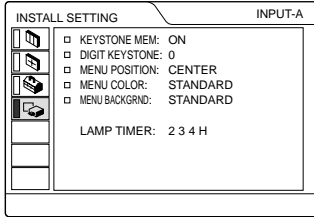
### POWER SAVING

When set to ON, the projector goes into power saving mode if no signal is input for 10 minutes.

---

# The INSTALL SETTING Menu

The INSTALL SETTING menu is used for changing the settings of the projector.



---

## Menu Items

---

### KEYSTONE MEM

**ON:** DIGIT KEYSTONE setting is stored. The data is retrieved when the projector power is turned on. The setting will remain the same every time.  
**OFF:** DIGIT KEYSTONE is reset to 0 when the power is turned on next time.

---

### DIGIT KEYSTONE

Corrects the trapezoidal distortion caused by the projection angle.

**When the upside of the trapezoid is longer than the downside** □ : Sets to a plus value.

---

### MENU POSITION

Selects the display position of the menu from TOP LEFT, BOTTOM LEFT, CENTER, TOP RIGHT and BOTTOM RIGHT.

---

### MENU COLOR

Selects the tone of the menu display from STANDARD, WARM, COOL, GREEN or GRAY.

---

### MENU BACKGRND

Selects the intensity of the background picture of the menu display from DARK, STANDARD or LIGHT.

---

### LAMP TIMER

Indicates how long the lamp has been turned on.

#### Note

This only displays the time. You cannot alter the display.

# Maintenance

## Replacing the Lamp

When the lamp has burnt out or dims, or “Please replace the LAMP.” appears on the screen, replace the lamp with a new one. Use LMP-C121 Projector Lamp as the replacement lamp. The lamp life varies depending on conditions of use.

### When replacing the lamp after using the projector

Turn off the projector, then unplug the power cord.  
Wait for at least an hour for the lamp to cool.

#### Caution

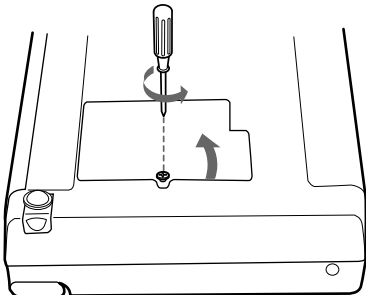
The lamp becomes a high temperature after turning off the projector with the I / ⏻ key. If you touch the lamp, you may scald your finger. When you replace the lamp, wait for at least an hour for the lamp to cool.

- 1 Place a protective sheet (cloth) beneath the projector. Turn the projector over so you can see its underside.

#### Note

Be sure that the projector is stable after turning it over.

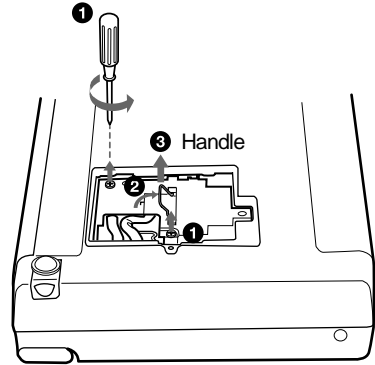
- 2 Open the lamp cover by loosening a screw with the Phillips screwdriver (supplied with the Projector Lamp).



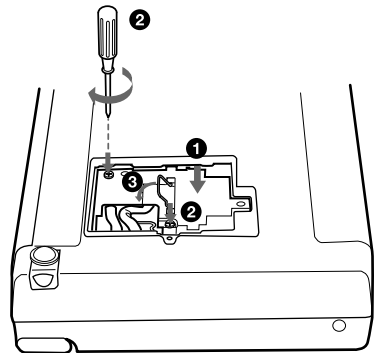
#### Note

For safety sake, do not loosen any other screws.

- 3 Loosen the screws on the lamp unit with the Phillips screwdriver. Pull out the lamp unit by the handle.



- 4 Insert the new lamp all the way in until it is securely in place. Tighten the screws. Fold up the handle.



#### Notes

- Be careful not to touch the glass surface of the lamp.
- The power will not turn on if the lamp is not secured properly.

- 5 Close the lamp cover and tighten the screws.
- 6 Turn the projector back over.

- 7 Connect the power cord and turn the projector to standby mode.
- 8 Press the following keys on the control panel in the following order for less than five seconds each: RESET, ←, →, ENTER.

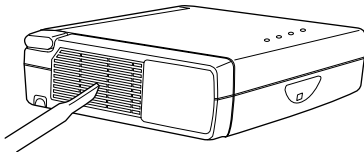
#### Notes

- Be sure to use the LMP-C121 Projector Lamp for replacement. If you use lamps other than LMP-C121, the projector may cause a malfunction.
- Be sure to turn off the projector and unplug the power cord before replacing the lamp.
- Do not put your hands into the lamp replacement spot, or not fall any liquid or object into it to avoid electrical shock or fire.

### Cleaning the Air Filter

The air filter should be cleaned every 300 hours.

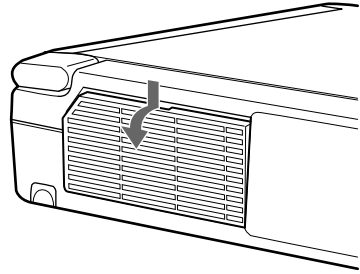
Remove dust from the outside of the ventilation holes with a vacuum cleaner.



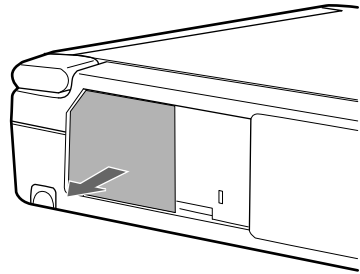
When it becomes difficult to remove the dust from the filter with a vacuum cleaner, remove the air filter and wash it.

- 1 Turn off the power and unplug the power cord.

- 2 Remove the air filter cover.



- 3 Remove the air filter.



- 4 Wash the air filter with a mild detergent solution and dry it in a shaded place.

- 5 Attach the air filter and replace the cover.

#### Notes

- If the dust cannot be removed from the air filter, replace the air filter with the supplied new one.
- Be sure to attach the air filter cover firmly; the power will not be turned on if it is not closed securely.
- The air filter has a face and a reverse side. Place the air filter so that it fits in a notch on the air filter cover.

# Troubleshooting

If the projector appears to be operating erratically, try to diagnose and correct the problem using the following instructions. If the problem persists, consult with qualified Sony personnel.

## Power

Symptom	Cause and Remedy
The power is not turned on.	<ul style="list-style-type: none"> <li>• The power has been turned off and on with the I / ⏻ key at a short interval. → Wait for about 90 seconds before turning on the power (see page 21).</li> <li>• The lamp cover is detached. → Close the lamp cover securely (see page 29).</li> <li>• The air filter cover is detached. → Close the air filter cover securely (see page 30).</li> </ul>
Both the LAMP/COVER and TEMP/FAN indicators light up.	<ul style="list-style-type: none"> <li>• The electrical system breaks down. → Consult with qualified Sony personnel.</li> </ul>

## Picture

Symptom	Cause and Remedy
No picture.	<ul style="list-style-type: none"> <li>• Cable is disconnected or the connections are wrong. → Check that the proper connections have been made (see page 14).</li> <li>• Input selection is incorrect. → Select the input source correctly using the INPUT key (see page 19).</li> <li>• The computer signal is not set to output to an external monitor. → Set the computer signal to output to an external monitor (see page 14).</li> <li>• The computer signal is set to output to both the LCD of the computer and external monitor. → Set the computer signal to output only to the external monitor (see page 14).</li> </ul>
The picture is noisy.	<ul style="list-style-type: none"> <li>• Noise may appear on the background depending on the combination of the numbers of dot input from the connector and numbers of pixel on the LCD panel. → Change the desktop pattern on the connected computer.</li> </ul>
The picture from INPUT A connector is colored strange.	<ul style="list-style-type: none"> <li>• Setting for INPUT-A in the SET SETTING menu is incorrect. → Select COMPUTER, VIDEO GBR or COMPONENT for INPUT-A in the SET SETTING menu according to the input signal (see page 27).</li> </ul>
“Please check INPUT-A setting.” appears in spite of inputting the correct signal from INPUT A.	<ul style="list-style-type: none"> <li>• Setting for INPUT-A in the SET SETTING menu is incorrect. → Select COMPUTER, VIDEO GBR or COMPONENT for INPUT-A in the SET SETTING menu according to the input signal (see page 27).</li> </ul>
On-screen display does not appear.	<ul style="list-style-type: none"> <li>• STATUS in the SET SETTING menu has been set to OFF. → Set STATUS in the SET SETTING menu to ON (see page 27).</li> </ul>

Symptom	Cause and Remedy
Color balance is incorrect.	<ul style="list-style-type: none"> <li>• Picture has not been adjusted properly. → Adjust the picture (see page 24).</li> <li>• Projector is set to wrong color system. → Set COLOR SYS in the PICTURE CTRL menu to match the color system being input (see page 25).</li> </ul>
The picture is too dark.	<ul style="list-style-type: none"> <li>• Contrast or brightness has not been adjusted properly. → Adjust the contrast or brightness in the PICTURE CTRL menu properly (see page 24).</li> </ul>
The picture is not clear.	<ul style="list-style-type: none"> <li>• Picture is out of focus. → Adjust the focus (see page 20).</li> <li>• Condensation has occurred on the lens. → Leave the projector for about two hours with the power on.</li> </ul>
The picture appears too small on the screen.	<ul style="list-style-type: none"> <li>• SHIFT in the INPUT SETTING menu has not been adjusted properly. → Adjust SHIFT in the INPUT SETTING menu properly (see page 26).</li> </ul>
The picture flickers.	<ul style="list-style-type: none"> <li>• DOT PHASE in the INPUT SETTING menu has not been adjusted properly. → Adjust DOT PHASE in the INPUT SETTING menu properly (see page 25).</li> </ul>

## Sound

Symptom	Cause and Remedy
No sound.	<ul style="list-style-type: none"> <li>• Cable is disconnected or the connections are wrong. → Check that the proper connections have been made (see page 14).</li> </ul>
When sound is input through AUDIO connector, sound comes through one channel only.	<ul style="list-style-type: none"> <li>• Monaural sound is being input through the AUDIO connector. → Input stereo sound.</li> </ul>

## Remote Commander

Symptom	Cause and Remedy
The Remote Commander does not work.	<ul style="list-style-type: none"> <li>• The Remote Commander batteries are dead. → Replace with a new battery (see page 12).</li> </ul>

## Others

Symptom	Cause and Remedy
The LAMP/COVER indicator flashes.	<ul style="list-style-type: none"> <li>• The lamp cover or the air filter cover is detached. → Attach the cover securely (see page 29).</li> </ul>
The LAMP/COVER indicator lights up.	<ul style="list-style-type: none"> <li>• The lamp has reached the end of its life. → Replace the lamp (see page 29).</li> <li>• The lamp becomes a high temperature. → Wait for 90 seconds to cool down the lamp and turn on the power again (see page 21).</li> </ul>



Symptom	Cause and Remedy
The TEMP/FAN indicator flashes.	<ul style="list-style-type: none"> <li>The fan is broken. → Consult with qualified Sony personnel.</li> </ul>
The TEMP/FAN indicator lights up.	<ul style="list-style-type: none"> <li>The internal temperature is unusually high. → Check to see if nothing is blocking the ventilation holes.</li> </ul>
Both the LAMP/COVER and TEMP/FAN indicators light up.	<ul style="list-style-type: none"> <li>The electrical system breaks down. → Consult with qualified Sony personnel.</li> </ul>

## Warning Messages

Use the list below to check the meaning of the messages displayed on the screen.

Message	Meaning and Remedy
High temp.! Lamp off in 1 min.	<ul style="list-style-type: none"> <li>Internal temperature is too high. → Turn off the power. → Check to see if nothing is blocking the ventilation holes.</li> </ul>
Frequency is out of range!	<ul style="list-style-type: none"> <li>This input signal cannot be projected as the frequency is out of the acceptable range of the projector. → Input a signal that is within the range of the frequency.</li> <li>The resolution setting of the output signal of a computer is too high. → Set the setting of output to SVGA (see page 14).</li> </ul>
Please check INPUT-A setting.	<ul style="list-style-type: none"> <li>You have input RGB signal from the computer when INPUT-A in the SET SETTING menu is set to COMPONENT. → Set INPUT-A correctly (see page 27).</li> </ul>
Please replace the LAMP.	<ul style="list-style-type: none"> <li>It is time to replace the lamp. → Replace the lamp.</li> </ul>

## Caution Messages

Use the list below to check the meaning of the messages displayed on the screen.

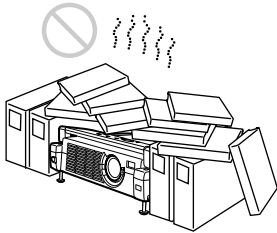
Message	Meaning and Remedy
NO INPUT	<ul style="list-style-type: none"> <li>No input signal → Check connections (see page 14).</li> </ul>
Not applicable!	<ul style="list-style-type: none"> <li>You have pressed the wrong key. → Press the appropriate key.</li> </ul>

# Notes on Installation

## Unsuitable Installation

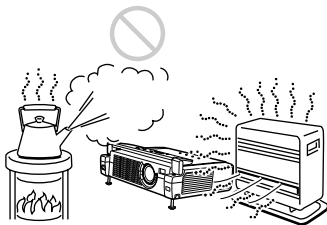
Do not install the projector in the following situations. These installations may cause malfunction or damage to the projector.

### Poorly ventilated



- Allow adequate air circulation to prevent internal heat build-up. Do not place the unit on surfaces (rugs, blankets, etc.) or near materials (curtains, draperies) that may block the ventilation holes. When the internal heat builds up due to the block-up, the temperature sensor will function with the message “High temp.! Lamp off in 1 min.” The power will be turned off automatically after one minute.
- Leave space of more than 30 cm (11 <sup>7</sup>/<sub>8</sub> inches) around the unit.
- Be careful that the ventilation holes may inhale tininess such as a piece of paper.

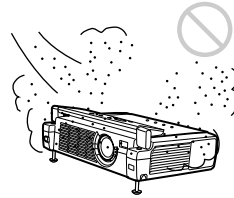
### Highly heated and humid



- Avoid installing the unit in a location where the temperature or humidity is very high, or temperature is very low.
- To avoid moisture condensation, do not install the unit in a location where the temperature may rise rapidly.

### Very dusty

Avoid installing the unit in a location where there is a lot of dust; otherwise, the air filter will be obstructed. The dust blocking the air through the filter may cause raising the internal heat of the projector. Clean it up periodically.

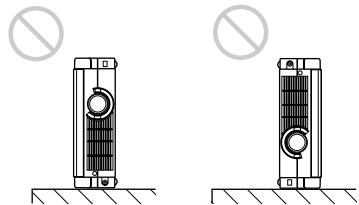


## Unsuitable Conditions

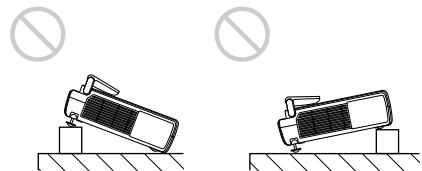
Do not use the projector under the following conditions.

### Toppling the unit

Avoid using as the unit topples over on its side. It may cause malfunction.

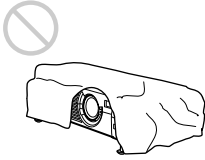


### Tilting the unit out of the range of the adjuster setting



Do not install the unit other than on the floor. Avoid using when the unit is tilted out of the range of the adjuster setting. Such installation may cause malfunction.

## Blocking the ventilation holes



Avoid using something to cover over the ventilation holes (exhaust/intake); otherwise, the internal heat may build up.

## Specifications

### Optical characteristics

Projection system	3 LCD panels, 1 lens, projection system
LCD panel	0.7-inch TFT LCD panel, 1,440,000 pixels (480,000 pixels × 3)
Lens	1.2 times zoom lens f 28.4 to 34.0 mm/F 1.8 to 2.2
Lamp	120 W UHP
Projection picture size	Range: 40 to 150 inches (diagonal measure)
Light output	ANSI lumen <sup>1)</sup> 700 lm
Throwing distance	When the SVGA signal is input 40-inch: 1586 to 1837 mm (62 <sup>5</sup> / <sub>8</sub> to 72 <sup>1</sup> / <sub>2</sub> inches) 60-inch: 2402 to 2777 mm (94 <sup>1</sup> / <sub>2</sub> to 109 <sup>1</sup> / <sub>2</sub> inches) 80-inch: 3217 to 3716 mm (126 <sup>7</sup> / <sub>8</sub> to 146 <sup>1</sup> / <sub>2</sub> inches) 100-inch: 4033 to 4656 mm (158 <sup>11</sup> / <sub>16</sub> to 183 <sup>1</sup> / <sub>2</sub> inches) 120-inch: 4849 to 5596 mm (191 to 220 <sup>1</sup> / <sub>2</sub> inches) 150-inch: 6072 to 7005 mm (239 <sup>1</sup> / <sub>8</sub> to 276 <sup>1</sup> / <sub>32</sub> inches)

1) ANSI lumen is a measuring method of American National Standard IT 7.228.

### Electrical characteristics

Color system	NTSC <sup>3.58</sup> /PAL/SECAM/ NTSC <sup>4.43</sup> /PAL-M/PAL-N system, switched automatically/ manually
Resolution	600 horizontal TV lines (Video input) 800 × 600 dots (RGB input)
Acceptable computer signals	fH: 15 to 70 kHz fV: 48 to 85 Hz
Speaker	Stereo speakers system, 28 mm (1 <sup>1</sup> / <sub>8</sub> inches) diameter, max. 0.5 W × 2

Other

---

## Input/Output

Video input	VIDEO: phono type Composite video: 1 Vp-p $\pm 2$ dB sync negative (75 ohms terminated) S VIDEO: Y/C mini DIN 4-pin type (male) Y (luminance): 1 Vp-p $\pm 2$ dB sync negative (75 ohms terminated) C (chrominance): burst 0.286 Vp-p $\pm 2$ dB (NTSC) (75 ohms terminated), burst 0.3 Vp-p $\pm 2$ dB (PAL) (75 ohms terminated)
INPUT A	HD D-sub15-pin (female) Analog RGB/component: R/R-Y: 0.7 Vp-p $\pm 2$ dB (75 ohms terminated) G: 0.7 Vp-p $\pm 2$ dB (75 ohms terminated) G with sync/Y: 1 Vp-p $\pm 2$ dB sync negative (75 ohms terminated) B/B-Y: 0.7 Vp-p $\pm 2$ dB (75 ohms terminated) SYNC/HD: Composite sync input: 1-5 Vp-p high impedance, positive/ negative Horizontal sync input: 1-5 Vp-p high impedance, positive/ negative VD: Vertical sync input: 1-5 Vp-p high impedance, positive/ negative
AUDIO	Stereo minijack 500 mVrms, impedance more than 47 kilohms
Safety regulations	UL1950, cUL (CSA No. 950), FCC Class B, IC Class B, NEMKO (EN60950), CE (LVD, EMC), C-Tick

---

## General

Dimensions	275 $\times$ 65 $\times$ 214 mm (10 $\frac{7}{8}$ $\times$ 2 $\frac{5}{8}$ $\times$ 8 $\frac{1}{2}$ inches) (w/h/d) (with the front cover closed, without the projection parts)
Mass	Approx. 2.4 kg (5 lb 5 oz)
Power requirements	AC 100 to 240 V, 1.9–0.8A, 50/60 Hz

Power consumption	Max. 190 W (Standby mode: 5 W)
Heat dissipation	648.4 BTU
Operating temperature	0°C to 35°C (32°F to 95°F)
Operating humidity	35% to 85% (no condensation)
Storage temperature	-20°C to 60°C (-4°F to 140°F)
Storage humidity	10% to 90%
Supplied accessories	Remote Commander RM-PJ2 (1) Lithium battery CR2025 (1) HD D-sub 15 pin cable (2 m) (1) (1-791-992-21) Carrying case (1) AC power cord (1) Air filter (for replacement) (1) Operating Instructions (1) Quick Reference Card (1) Ferrite core (1)

Design and specifications are subject to change without notice.

---

## Optional accessories

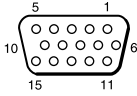
Projector Lamp	LMP-C121 (for replacement)
Signal Cable	SMF-402 (HD D-sub 15-pin (male) $\leftrightarrow$ 3 $\times$ phono type (male))
Monitor Cable	SMF-410 (HD D-sub 15 pin (male) $\leftrightarrow$ HD D-sub 15 pin (male))
Signal Adapter	ADP-20 (Macintosh $\leftrightarrow$ HD D- sub 15-pin)
Screens	50-inch Portable Screen VPS-50C <sup>1)</sup> 100-inch Flat Screen VPS-100FH

*Some of the items may not be available in some areas. For details, please consult your nearest Sony office.*

1) VPS-50C may not be available in some areas. For details, please consult your nearest Sony office.

## Pin assignment

### INPUT A connector (HD D-sub 15-pin, female)



1	R/R-Y	9	N.C.
2	G/Y	10	GND
3	B/B-Y	11	GND
4	GND	12	DDC/SDA
5	GND	13	HD/C.Sync
6	GND (R)	14	VD
7	GND (G)	15	DDC/SCL
8	GND (B)		

### Input signals and adjustable/setting items

#### PICTURE CTRL menu

Item	Input signal				
	Video or S video (Y/C)	Component	Video GBR	Computer	B&W
CONTRAST	●	●	●	●	●
BRIGHT	●	●	●	●	●
COLOR	●	●	●	-	-
HUE	● (NTSC 3.58/ 4.43 only)	●	●	-	-
SHARP	●	●	●	-	●
RGB ENHANCER	-	-	-	●	-
D. PICTURE	●	●	●	-	●
GAMMA MODE	-	-	●	●	-
COLOR TEMP	●	●	●	●	●
COLOR SYS	●	-	-	-	●
VOLUME	●	●	●	●	●

● : Adjustable/can be set

- : Not adjustable/cannot be set

## INPUT SETTING menu

Item	Input signal				
	Video or S video (Y/C)	Component	Video GBR	Computer	B&W
DOT PHASE	-	-	-	●	-
SIZE H	-	-	-	●	-
SHIFT	●	●	●	●	●
SCAN CONV	-	-	-	● (lower than VGA)	-
ASPECT	●	●	●	-	●

● : Adjustable/can be set

- : Not adjustable/cannot be set

## Preset signals

Memory No.	Preset signal		fH (kHz)	fV (Hz)	Sync	SIZE
1	Video 60 Hz		15.734	59.940		
2	Video 50 Hz		15.625	50.000		
3	15k RGB/Component 60 Hz		15.734	59.940	S on G/Y or Composite Sync	
4	15k RGB/Component 50 Hz		15.625	50.000	S on G/Y or Composite Sync	
6	640 × 350	VGA mode 1	31.469	70.086	H-pos, V-neg	800
7		VGA VESA 85 Hz	37.861	85.080	H-pos, V-neg	832
8	640 × 400	PC-9801 Normal	24.823	56.416	H-neg, V-neg	848
9		VGA mode 2	31.469	70.086	H-neg, V-pos	800
10		VGA VESA 85 Hz	37.861	85.080	H-neg, V-pos	832
11	640 × 480	VGA mode 3	31.469	59.940	H-neg, V-neg	800
12		Macintosh 13"	35.000	66.667	H-neg, V-neg	864
13		VGA VESA 72 Hz	37.861	72.809	H-neg, V-neg	832
14		VGA VESA 75 Hz	37.500	75.000	H-neg V-neg	840
15		VGA VESA 85 Hz	43.269	85.008	H-neg V-neg	832
16	800 × 600	SVGA VESA 56 Hz	35.156	56.250	H-pos, V-pos	1024
17		SVGA VESA 60 Hz	37.879	60.317	H-pos, V-pos	1056
18		SVGA VESA 72 Hz	48.077	72.188	H-pos, V-pos	1040
19		SVGA VESA 75 Hz	46.875	75.000	H-pos, V-pos	1056
20		SVGA VESA 85 Hz	53.674	85.061	H-pos, V-pos	1048
21	832 × 624	Macintosh 16"	49.724	74.550	H-neg, V-neg	1152
22	1024 × 768	XGA VESA 43 Hz	35.524	43.479	H-pos, V-pos	1264
23		XGA VESA 60 Hz	48.363	60.004	H-neg V-neg	1344
24		XGA VESA 70 Hz	56.476	70.069	H-neg V-neg	1328
25		XGA VESA 75 Hz	60.023	75.029	H-pos, V-pos	1312
26		XGA VESA 85 Hz	68.677	84.997	H-pos, V-pos	1376

### Note

When a signal other than the preset signals shown above is input, the picture may not appear properly.

## Warning on power connection

Use a proper power cord for your local power supply.

	The United States, Canada	Continental Europe	UK	Australia	Japan
Plug type	YP-11	YP-21	SP-61	B8	YP-13
Female end	YC-13L	YC-13L	YC-13L	C7-2	YC-13L
Cord type	SPT-2	H03VVH2-F	H03VVH2-F	H03VVH2-F	VFF
Rated Voltage & Current	10A/125V	2.5/250V	2.5A/250V	2.5A/250V	7A/125V
Safety approval	UL/CSA	VDE	BS	SAA	DENANHO

Other

# Index

## A

- Adjuster ..... 10
- Adjusting
  - memory of the settings 23
  - the picture ..... 20, 24
  - the picture size/shift ... 26
- Air filter ..... 30
- ASPECT ..... 26
- AUTO INPUT SEL ..... 27

## B

- Battery
  - installation ..... 12
  - notes ..... 12
- BRIGHT ..... 24

## C

- COLOR ..... 24
- COLOR SYS (System) .. 25
- COLOR TEMP ..... 24
- Connections
  - component equipment 15
  - computer ..... 14
  - VCR ..... 15
- CONTRAST ..... 24

## D

- D. (Dynamic) PICTURE 24
- Digital Zoom function .... 22
- DOT PHASE ..... 25

## G

- GAMMA MODE ..... 24

## H

- HUE ..... 24

## I

- INPUT A connector ..... 11
  - pin assignment ..... 37
- INPUT SETTING menu 25
- INPUT-A ..... 27
- INSTALL SETTING Menu 28
- Installation examples .... 13

- notes ..... 34
- unsuitable conditions .. 34
- unsuitable installation 34

## L

- Lamp replacement ..... 29
- LANGUAGE ..... 27
  - selecting the menu
    - language ..... 17
- Location and function of controls
  - connector panel ..... 11
  - control panel ..... 10
  - front/side/bottom ..... 8
  - rear/left side ..... 8
  - Remote Commander .. 11

## M

- Menu
  - clearing the menu
    - display ..... 23
  - INPUT SETTING menu ..... 25
  - PICTURE CTRL menu ..... 24
  - SET SETTING menu . 27
  - using the menu ..... 23
- MENU BACKGRND .... 28
- MENU COLOR ..... 28
- MENU POSITION ..... 28
- Message
  - caution ..... 33
  - warning ..... 33

## O

- Optional accessories ..... 36

## P

- PICTURE CTRL menu .. 24
- Pin assignment ..... 37
- Power
  - turn on ..... 19
- POWER SAVING .... 8, 27
- Precautions ..... 6

## R

- Remote Commander ..... 11
  - battery installation ..... 12
  - location and function of controls ..... 11

- Remote control detector
  - front ..... 8
  - rear ..... 9
- Reset
  - resettable items ..... 23
  - resetting the item ..... 23
- RGB ENHANCER ..... 24

## S

- SCAN CONV (Scan converter) ..... 26
- Screen size ..... 13, 35
- SET SETTING menu .... 27
- SHARP ..... 24
- SHIFT ..... 26
- SIZE H ..... 26
- Specifications ..... 35
- STATUS (on-screen display) ..... 27
- Supplied accessories ..... 36

## T

- Troubleshooting ..... 31

## V

- Ventilation holes
  - exhaust ..... 9
  - intake ..... 9
- VOLUME ..... 25



---

# AVERTISSEMENT

**Afin d'éviter tout risque d'incendie ou d'électrocution, n'exposez pas cet appareil à la pluie ou à l'humidité.**

**Afin d'éviter tout risque d'électrocution, n'ouvrez pas le châssis. Confiez l'entretien uniquement à un personnel qualifié.**

## **Pour les utilisateurs au Canada**

Cet appareil numérique de la classe B est conforme à la norme NMB-003 du Canada.

La prise doit être près de l'appareil et facile d'accès.
--

---

# Table des matières

---

## **Aperçu**

Précautions .....	4
Caractéristiques .....	6
Emplacement et fonction des commandes .....	7
Avant/Côté/Bas .....	7
Arrière/Côté gauche .....	7
Panneau de commande .....	10
Panneau des connecteurs .....	10
Télécommande .....	11

---

## **Installation et projection**

Installation du projecteur .....	13
Raccordement du projecteur .....	14
Raccordement à un ordinateur ....	14
Raccordement à un magnétoscope ou à un appareil à signal RVB 15k/à composantes .	15
Sélection de la langue de menu .....	17
Projection .....	19
Des outils efficaces pour vos présentations .....	22

---

## **Réglages à l'aide du menu**

Utilisation du MENU .....	23
Le menu CTRL IMAGE .....	24
Le menu REGL ENTREE .....	25
Le menu REGLAGE .....	27
Le menu REGL. INSTAL. ....	28

---

## **Entretien**

Entretien .....	29
Remplacement de la lampe .....	29
Nettoyage du filtre à air .....	30
Dépannage .....	32
Messages d'avertissement .....	34
Messages de précaution .....	34

---

## **Divers**

Remarques sur l'installation .....	35
Installation déconseillée .....	35
Positions déconseillées .....	36
Spécifications .....	36
Index .....	41

---

# Précautions

---

## Sécurité

- Assurez-vous que la tension de service de votre appareil est identique à la tension secteur locale.
- Si du liquide ou un objet quelconque venait à pénétrer dans le châssis, débranchez l'appareil et faites-le vérifier par un technicien qualifié avant de le remettre en service.
- Débranchez l'appareil de la prise murale si vous n'avez pas l'intention d'utiliser le projecteur pendant plusieurs jours.
- Pour débrancher le cordon, saisissez-le par la fiche. Ne tirez jamais sur le cordon proprement dit.
- La prise murale doit se trouver à proximité de l'appareil et être facile d'accès.
- L'appareil n'est pas déconnecté de la source d'alimentation (secteur) tant qu'il reste branché à la prise murale, même si l'appareil a été mis hors tension.
- Ne regardez pas vers l'objectif lorsque la lampe est allumée.
- Ne placez pas la main ou d'autres objets à proximité des orifices de ventilation. L'air expulsé est brûlant.
- Veillez à ne pas vous coincer les doigts dans le support réglable lorsque vous réglez la hauteur du projecteur. Ne poussez pas trop fort sur le dessus du projecteur lorsque le support réglable est abaissé.

---

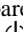
## Eclairage

- Pour obtenir la meilleure qualité d'image possible, l'avant de l'écran ne doit pas être directement exposé à la source d'éclairage ni au rayonnement solaire.
- Nous préconisons un éclairage au moyen de spots fixés au plafond. Placez un écran sur les lampes fluorescentes de façon à éviter une altération du niveau de contraste.
- Occultez les fenêtres qui font face à l'écran au moyen de rideaux opaques.
- Il est préférable d'installer le projecteur dans une pièce où le sol et les murs ne sont pas revêtus d'un matériau réfléchissant la

lumière. Si le sol et les murs réfléchissent la lumière, nous vous recommandons de remplacer le revêtement du sol et des murs par une couleur sombre.

---

## Prévention de la surchauffe interne

Après avoir mis l'appareil hors tension au moyen de la touche I / , ne débranchez pas l'appareil de la prise secteur tant que le ventilateur de refroidissement tourne.

## Attention

Le projecteur est équipé d'orifices de ventilation (prise d'air) au bas de l'appareil et d'orifices de ventilation (sortie d'air) à gauche et à l'arrière. N'obstruez pas ces orifices et ne placez rien à proximité car vous risqueriez de provoquer une surchauffe interne pouvant entraîner une altération de l'image ou des dommages au projecteur.

---

## Nettoyage

- Pour conserver au châssis l'éclat du neuf, nettoyez-le régulièrement au moyen d'un chiffon doux. Pour éliminer les taches récalcitrantes, employez un chiffon légèrement imprégné d'une solution détergente neutre. N'utilisez en aucun cas des solvants puissants tels que du diluant, du benzène ni d'agents nettoyeurs abrasifs dans la mesure où ces produits risquent d'endommager le fini du châssis.
- Ne touchez pas l'objectif. Pour dépoussiérer l'objectif, employez un chiffon doux et sec. N'utilisez pas de chiffon humide, de solution détergente ni de diluant.
- Nettoyez le filtre à intervalles réguliers.

---

## Emballage

- Conservez le carton d'emballage et les matériaux de conditionnement d'origine, car ils constituent une protection idéale si vous êtes amené à transporter l'appareil. Pour une protection optimale, remballer votre appareil comme il a été emballé à l'origine en usine.

---

## Projecteur LCD

- Le projecteur LCD est fabriqué selon une technologie de fabrication de haute précision. Il est cependant possible que de petits points noirs ou lumineux (rouges, bleus ou verts) apparaissent sur le projecteur LCD. Ceci est un résultat normal du processus de fabrication et n'indique pas un mauvais fonctionnement de l'appareil.

---

# Caractéristiques

---

## Facilité de transport

- **Légèreté/compacité/simplicité de forme**

Ce projecteur ne pèse qu'environ 2,4 kg (5 lb 5 oz) et ne dépasse pas le format de document B5.

Lorsque le couvercle avant portant les fonctions de commande est fermé, la forme du châssis du projecteur est très simple.

Vous pouvez l'emporter aisément avec votre ordinateur.

---

## Silence de fonctionnement

Son fonctionnement est silencieux grâce au mécanisme de refroidissement mis au point par Sony.

---

## Luminosité élevée, haute qualité d'image

- **Luminosité élevée**

L'adoption d'un système optique à haut rendement et de la lampe 120 W UHP autorise une haute luminosité (intensité lumineuse: 700 ANSI lumen) et une excellente uniformité de l'image.

- **Haute définition**

Utilisant trois panneaux SVGA de 0,7 pouce et de 480 000 pixels, ce projecteur offre une résolution de 800 × 600 points pour l'entrée RVB et de 600 lignes TV horizontales pour l'entrée vidéo.

---

## Présentation simplifiée

- **Installation simplifiée avec un appareil externe**

Ce projecteur est préréglé pour 25 types de signaux d'entrée. Vous pouvez projeter les images d'une source de signal extérieure en raccordant l'équipement concerné avec le câble fourni et en appuyant sur la touche APA.

- **Télécommande facile d'emploi**

La télécommande est munie de plusieurs touches commodes, comme la touche D ZOOM pour effectuer un zoom sur l'image, la touche FREEZE pour

conserver l'image projetée même après le débranchement de l'appareil et la touche D KEYSTONE pour corriger la distorsion trapézoïdale de l'image.

---

## Compatible avec différents signaux d'entrée

- **Convertisseur de balayage chargé**

Ce projecteur dispose d'un convertisseur de balayage intégré qui convertit le signal d'entrée en 800 × 600 points.

- **Signaux d'entrée compatibles**

Ce projecteur accepte les signaux vidéo composites, S vidéo et à composantes, ainsi que les signaux VGA, SVGA et XGA, qui peuvent tous être affichés.

- **Compatible avec six systèmes couleur**

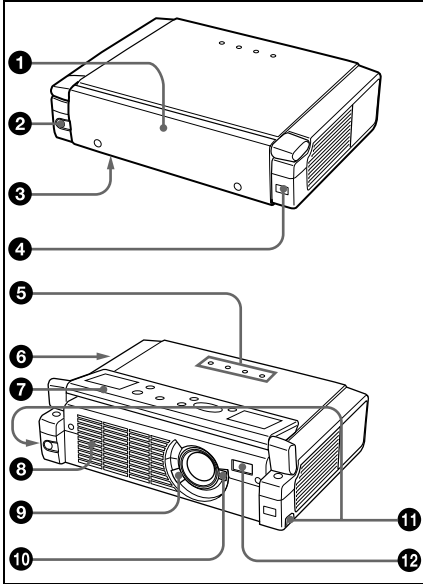
Les systèmes couleur NTSC, PAL, SECAM, NTSC<sup>4.43</sup><sup>1)</sup>, PAL-M ou PAL-N peuvent être sélectionnés automatiquement ou manuellement.

1) NTSC<sup>4.43</sup> est le système couleur utilisé lors de la reproduction d'enregistrements vidéo réalisés en NTSC sur un magnétoscope NTSC<sup>4.43</sup>.

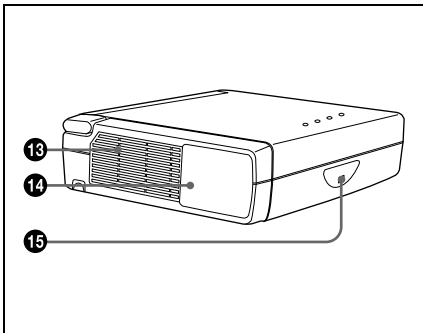
- 
- Windows est une marque de Microsoft Corporation déposée aux États-Unis et/ou dans d'autres pays.
  - VGA, SVGA et XGA sont des marques déposées de International Business Machines Corporation, États-Unis.
  - Macintosh est une marque déposée de Apple Computer, Inc.
  - IBM PC/AT est une marque déposée de International Business Machines Corporation, États-Unis.
  - VESA est une marque déposée de Video Electronics Standard Association.
  - Display Data Channel est une marque de Video Electronics Standard Association.
  - PC-98 est une marque de NEC Corporation.

# Emplacement et fonction des commandes

## Avant/Côté/Bas



## Arrière/Côté gauche



### 1 Couvercle avant

Appuyez sur le bouton OPEN pour ouvrir le couvercle avant.

### 2 Bouton OPEN

### 3 Couvercle de lampe (bas)

### 4 Capteur de télécommande avant (récepteur SIRCS)

### 5 Indicateurs

- **LAMP/COVER:** S'allume ou clignote dans les conditions suivantes:
  - S'allume lorsque la lampe a atteint la fin de sa durée de vie ou une température élevée.
  - Clignote lorsque le couvercle de la lampe ou le couvercle du filtre à air n'est pas correctement fixé.
- **TEMP/FAN (température/ventilateur):** S'allume ou clignote dans les conditions suivantes:
  - S'allume lorsque la température à l'intérieur du projecteur devient anormalement élevée.
  - Clignote lorsque le ventilateur est défectueux.
- **POWER SAVING:** S'allume lorsque le projecteur est en mode d'économie d'énergie. Lorsque MODE ECO (POWER SAVING) dans le menu REGLAGE est mis sur ON, le projecteur passe en mode d'économie d'énergie si aucun signal n'est entré pendant 10 minutes. Bien que la lampe s'éteigne, le ventilateur de refroidissement continue de tourner. En mode d'économie d'énergie, aucune des touches ne fonctionne pendant les 60 premières secondes. Le mode d'économie d'énergie est désactivé dès qu'un signal est entré ou qu'une touche est actionnée.
- **ON/STANDBY:** S'allume ou clignote dans les conditions suivantes:
  - S'allume en rouge lorsque le cordon d'alimentation secteur est branché à une prise murale. Lorsque le projecteur se trouve en mode de veille, vous pouvez le mettre sous tension à l'aide de la touche I / ⏻.

- S'allume en vert lorsque le projecteur est sous tension.
- Clignote en vert tant que le ventilateur de refroidissement tourne après la mise hors tension à l'aide de la touche I / ⏻. Le ventilateur tourne pendant environ 90 secondes après la mise hors tension.

L'indicateur ON/STANDBY clignote rapidement pendant les 60 premières secondes. Pendant ce temps, vous ne pouvez pas allumer l'indicateur ON/STANDBY à l'aide de la touche I / ⏻.

*Pour plus de détails sur les indicateurs LAMP/COVER et TEMP/FAN, voir pages 33, 34.*

## 6 Serrure de sécurité (côté droit)

Branchez-y un câble de sécurité en option (Kensington).

La serrure Kensington est conforme au système de sécurité MicroSaver<sup>®</sup> Kensington.

Pour obtenir plus d'informations, contactez

Kensington  
2855 Campus Drive, San Mateo,  
CA 94403

En Amérique du nord  
Téléphone: 800-235-6708  
Télécopie: 800-247-1317

En dehors de l'Amérique du nord  
Téléphone: 847-541-9500

Site Internet:  
<http://www.kensington.com/>

## 7 Panneau de commande

*Pour plus de détails, voir "Panneau de commande", page 10.*

## 8 Orifices de ventilation (sortie d'air)

## 9 Levier de mise au point

Ajuste la mise au point de l'image.

## 10 Levier de zoom

Ajuste la taille de l'image.

## 11 Touches d'ajustement de support réglable

*Pour plus de détails, voir "Utilisation du support réglable", page 9.*

## 12 Prise AC IN

Branchez-y le cordon d'alimentation secteur fourni.

## 13 Orifices de ventilation (prise d'air)/couvercle de filtre à air

### Remarques

- Ne placez rien à proximité des orifices de ventilation sous peine de provoquer une surchauffe interne.
- Ne placez pas les mains ou des objets à proximité des orifices de ventilation, car l'air ne pouvant plus sortir risque d'entraîner une surchauffe interne.
- Pour assurer des performances optimales, **nettoyez le filtre à air toutes les 300 heures.**

## 14 Panneau des connecteurs

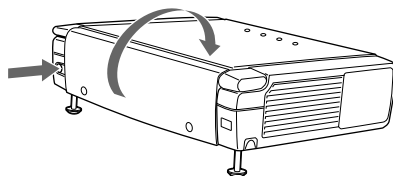
*Pour plus de détails, voir "Panneau des connecteurs", page 10.*

## 15 Capteur de télécommande arrière (récepteur SIRCS)

## Ouverture/fermeture du couvercle avant

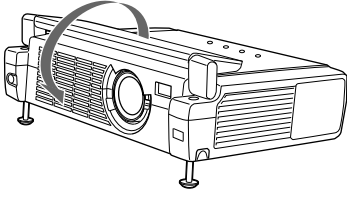
### Pour ouvrir le couvercle avant

Appuyez sur la touche OPEN. Ouvrez le couvercle avant et posez-le sur le panneau supérieur du projecteur.



## Pour fermer le couvercle avant

Refermez le couvercle avant à la main.



### Remarque

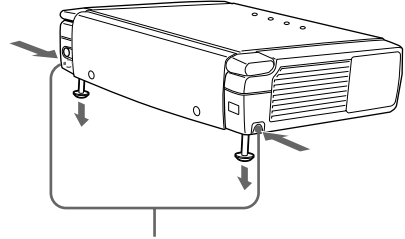
Ne pas incliner le projecteur en dehors des limites du support réglable avant d'ouvrir le couvercle avant. Si le projecteur est trop incliné, le couvercle avant s'ouvre rapidement ou lentement.

## Utilisation du support réglable

### Pour régler la hauteur

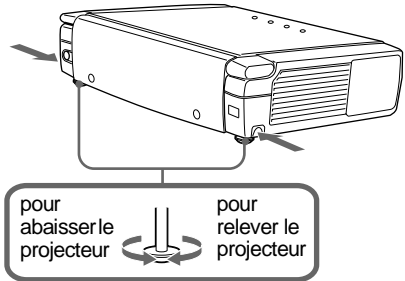
Régler la hauteur du projecteur comme suit :

- 1 Soulevez le projecteur et appuyez sur les touches de réglage de support réglable. Les supports sortent du projecteur.



Touches de réglage de support réglable

- 2 Tout en appuyant sur les touches, baissez le projecteur. Puis relâchez les touches. Pour un réglage fin, tourner les supports vers la droite ou la gauche.

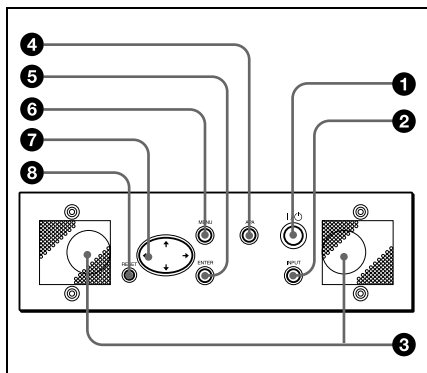


### Remarques

- Attention à ne pas laisser tomber le projecteur sur vos doigts.
- Ne poussez pas trop fort sur le dessus du projecteur lorsque les supports réglables sont abaissés. Risque d'endommagement et de dysfonctionnement.



## Panneau de commande



### 1 Touche I / ⏻ (marche/veille)

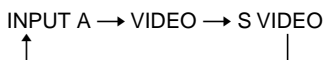
Met le projecteur sous/hors tension lorsque le projecteur est en mode de veille. L'indicateur ON/STANDBY s'allume en vert lorsque l'appareil est sous tension.

Lorsque vous mettez l'appareil hors tension, appuyez deux fois sur la touche I / ⏻ en suivant les instructions sur l'écran, ou appuyez sur la touche et maintenez-la pendant environ 1 seconde.

*Pour plus de détails sur la procédure de mise hors tension, voir "Pour mettre le projecteur hors tension", page 21.*

### 2 Touche INPUT

Sélectionne le signal d'entrée. À chaque fois que vous appuyez sur cette touche, le signal d'entrée change comme suit :



### 3 Haut-parleurs

### 4 Touche APA (alignement automatique des pixels)

Règle une image à projeter le plus nettement possible de manière automatique lorsqu'un signal de l'ordinateur est reçu.

### 5 Touche ENTER

Confirme la saisie des réglages de paramètres dans le menu système.

### 6 Touche MENU

Affiche l'écran de menu. Appuyez à nouveau sur cette touche pour désactiver le menu.

### 7 Touche fléchée (↑/↓/←/→)

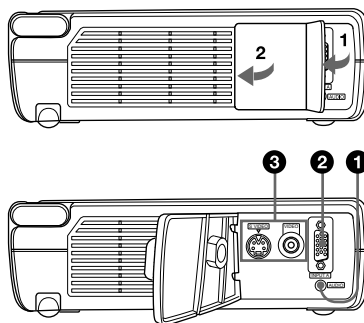
Sert à sélectionner le menu ou à procéder à différents réglages.

### 8 Touche RESET

Restaure la valeur de réglage par défaut d'un paramètre. Cette touche est opérante lorsque le menu ou un paramètre de réglage est affiché à l'écran.

## Panneau des connecteurs

### Côté gauche



### 1 Connecteur AUDIO (miniprise stéréo)

Si vous écoutez le son émis par l'ordinateur, raccordez-le à la sortie audio de l'ordinateur.

Si vous écoutez le son émis par le magnétoscope, raccordez-le à la sortie audio du magnétoscope.

### 2 Connecteur INPUT A (HD D-sub à 15 broches, femelle)

Raccordez-le à un appareil externe comme un ordinateur.

Raccordez-le à la sortie moniteur d'un ordinateur à l'aide du câble fourni. Pour entrer un signal à composantes ou RVB 15k, utilisez le câble en option.

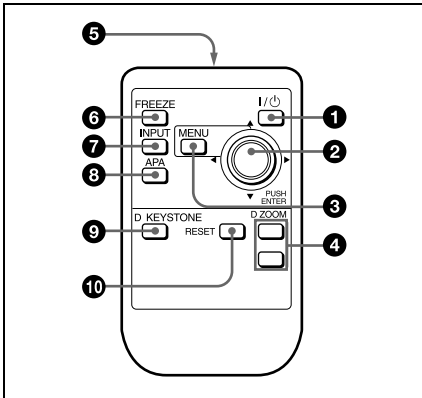
### 3 Connecteur d'entrée vidéo

Raccordez-le à un appareil vidéo externe comme un magnétoscope.

- **VIDEO (type phono)** : Raccordez-le à la sortie vidéo composite d'un appareil vidéo.
- **S VIDEO (mini DIN 4 broches)** : Se raccorde à la sortie du signal S Vidéo (sortie Y/C) d'un équipement vidéo.

## Télécommande

Les touches portant le même nom que sur le panneau de commande remplissent la même fonction.



### 1 Touche I / ⏻

### 2 Touche ENTER/fléchée (↑/↓/←/→)

Appuyez sur le centre de la touche pour activer la fonction ENTER.

### 3 Touche MENU

### 4 Touche D ZOOM +/-

Agrandit l'image à un emplacement désiré de l'écran.

+ : Appuyez une fois sur la touche + pour afficher l'icône. Cette icône indique le point que vous voulez agrandir. Utilisez une touche fléchée (↑/↓/←/→) pour placer l'icône sur le point à agrandir. Appuyez sur la touche + plusieurs fois de suite, jusqu'à ce que l'image soit agrandie comme vous le souhaitez.

- : Appuyez sur la touche -, pour réduire une image agrandie à l'aide de la touche D ZOOM +.

### 5 Emetteur infrarouge

### 6 Touche FREEZE

Sert à geler l'image projetée. Pour annuler la fonction de gel, appuyez de nouveau sur la touche.

### 7 Touche INPUT

### 8 Touche APA (alignement automatique des pixels)

### 9 Touche D KEYSTONE

Corrige la distorsion trapézoïdale de l'image. Utilisez la touche fléchée (↑/↓/←/→) pour régler l'angle.

### 10 Touche RESET

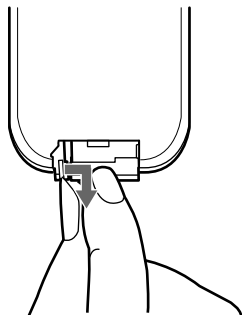
Restaure la valeur de réglage par défaut des paramètres ou la taille d'une image à sa taille d'origine.

## Avant d'utiliser la télécommande

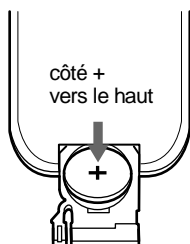
Retirer le film transparent du support de pile au lithium.

## Pour remplacer la pile

- 1 Défaire le verrou du support de pile au lithium en le tirant et extraire le support de la télécommande.



- 2 Poser la pile au lithium.



- 3 Remplacez le support de pile au lithium dans la télécommande.

## Remarques sur la pile au lithium

- Gardez la batterie au lithium hors de portée des enfants.
- En cas d'ingestion de la pile, consultez immédiatement un médecin.

## ATTENTION

Risque d'explosion si une pile incorrecte est utilisée. N'utilisez que des piles identiques ou de type équivalent recommandées par le fabricant.

Débarassez-vous des batteries usagées conformément aux instructions du fabricant.

## Remarques sur l'utilisation de la télécommande

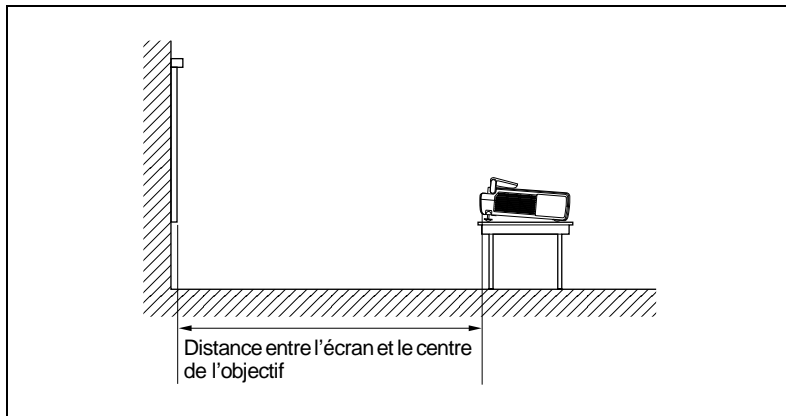
- Assurez-vous qu'aucun obstacle ne perturbe la transmission du faisceau infrarouge entre la télécommande et le capteur de télécommande du projecteur. Pointez la télécommande vers le capteur de télécommande avant ou arrière.
- La portée de la télécommande est limitée. Plus la distance qui sépare la télécommande du projecteur est courte, plus le champ de commande du projecteur par la télécommande est important.



# Installation du projecteur

Cette section décrit comment installer le projecteur.

La distance entre l'objectif et l'écran varie suivant la taille de l'écran. Utilisez le tableau suivant comme guide de référence.



Unité : m (pieds)

Taille d'écran (pouces)	40	60	80	100	120	150
Distance minimale	1,6 (5,2)	2,4 (7,9)	3,2 (10,6)	4,0 (13,2)	4,9 (15,9)	6,1 (19,9)
Distance maximale	1,8 (6,0)	2,8 (9,1)	3,7 (12,2)	4,7 (15,3)	5,6 (18,4)	7,0 (23,0)

## Remarque

Vous ne pouvez pas installer le projecteur à l'envers, par exemple au plafond.

# Raccordement du projecteur

Lors de la réalisation des connexions, veuillez respecter les consignes suivantes:

- Mettez tous les appareils hors tension avant tout raccordement.
- Utilisez les câbles appropriés pour chaque raccordement.
- Branchez correctement les fiches des câbles ; des fiches incomplètement enfichées sont souvent à l'origine de parasites. Pour débrancher un câble, saisissez-le par la fiche, ne tirez pas sur le câble proprement dit.

## Raccordement à un ordinateur

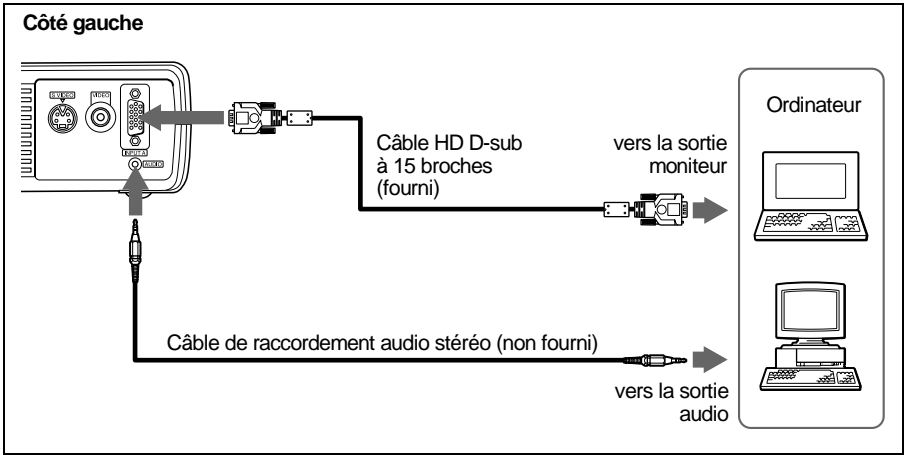
Cette section décrit comment raccorder le projecteur à un ordinateur. Pour plus d'informations, reportez-vous au mode d'emploi de l'ordinateur.

### Remarques

- Le projecteur accepte les signaux VGA, SVGA et XGA. Nous vous conseillons cependant de régler le mode de sortie de votre ordinateur sur le mode SVGA pour le moniteur externe.
- Si vous réglez votre ordinateur, tel qu'un portable de type notebook, pour sortir le signal à la fois vers l'écran de votre ordinateur et le moniteur externe, il se peut que l'image n'apparaisse pas correctement sur le moniteur externe. En pareil cas, réglez votre ordinateur pour sortir le signal vers le moniteur externe uniquement.  
*Pour plus de détails, reportez-vous au mode d'emploi de l'ordinateur accompagnant votre ordinateur.*
- Ce projecteur est compatible avec DDC2B (Digital Data Channel 2B). Si votre ordinateur est compatible avec DDC, mettez le projecteur sous tension en procédant comme suit.

- 1** Raccordez le projecteur à l'ordinateur à l'aide du câble HD D-sub à 15 broches fourni.
- 2** Mettez le projecteur sous tension.
- 3** Démarrez l'ordinateur.

## Raccordement à un ordinateur compatible IBM PC/AT



## Raccordement à un ordinateur Macintosh

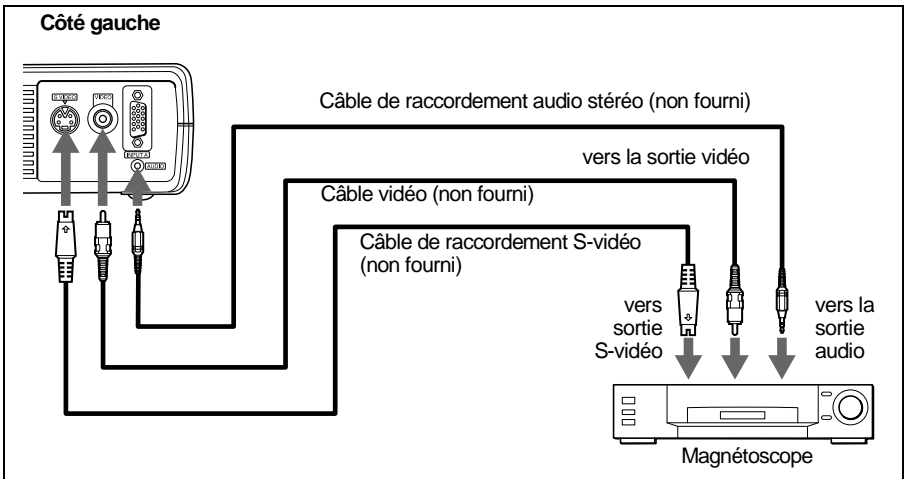
Utilisez un adaptateur de signal ADP-20 (non fourni).

## Raccordement à un magnétoscope ou à un appareil à signal RVB 15k/à composantes

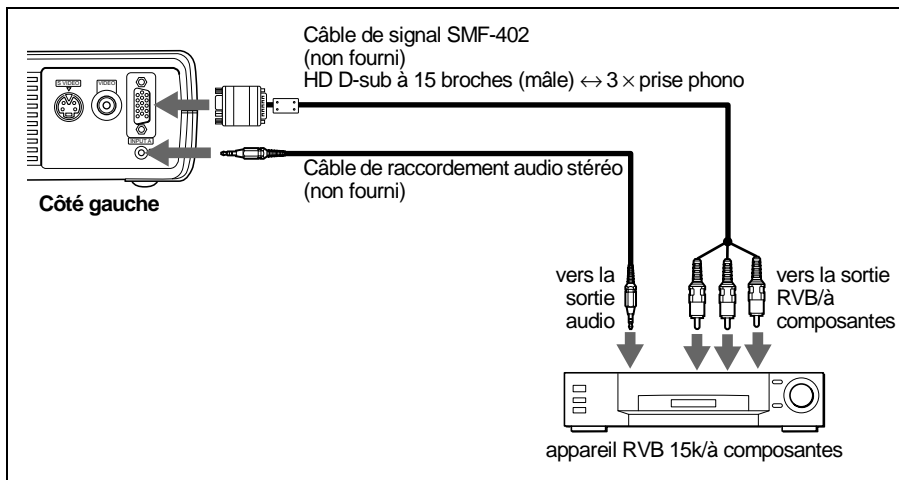
Cette section décrit comment raccorder le projecteur à un magnétoscope et à un appareil RVB 15k/à composantes.

Pour plus d'informations, reportez-vous au mode d'emploi de l'appareil que vous raccordez.

## Raccordement à un magnétoscope



## Raccordement à un appareil RVB 15k/à composantes



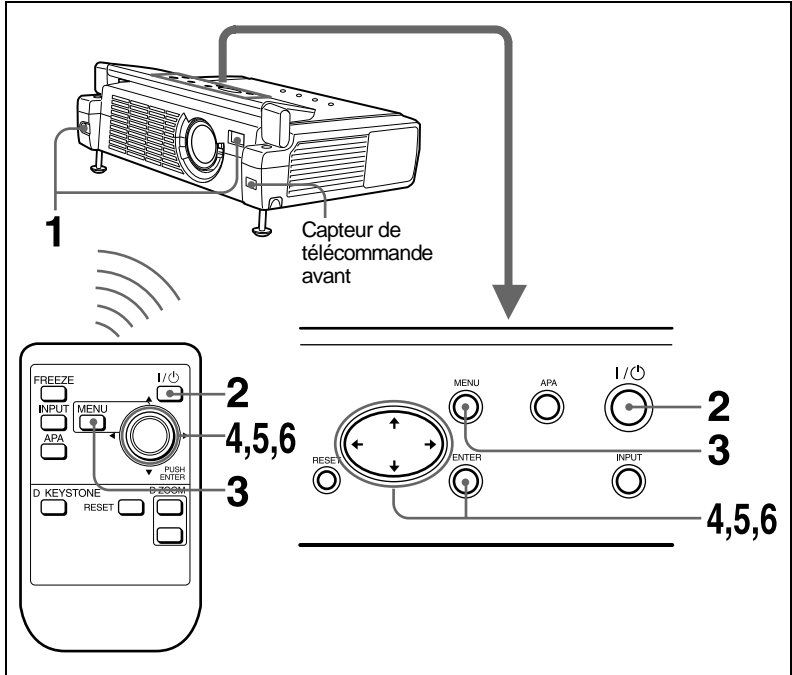
### Remarques

- Réglez le format de l'image à l'aide du paramètre FORMAT dans le menu REGL ENTREE en fonction du signal entré.
- Lors du raccordement du projecteur à un appareil vidéo RVB 15k/à composantes, sélectionnez le signal GBR vidéo ou à composantes au moyen de ENT. A dans le menu REGLAGE.
- Utilisez le signal de synchronisation composite lorsque vous entrez le signal de synchronisation externe d'un appareil RVB 15k/à composantes.

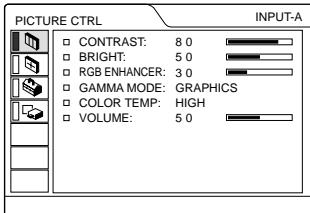


# Sélection de la langue de menu

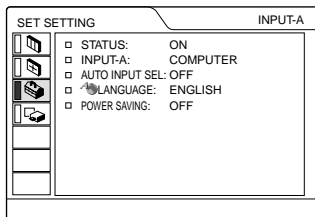
Vous pouvez sélectionner l'une des sept langues de menu et d'affichage sur écran. Le réglage par défaut est l'anglais.



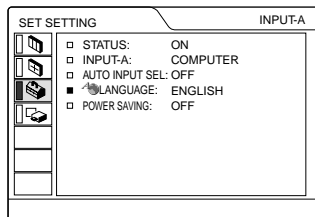
- 1 Ouvrez le couvercle avant, puis branchez le cordon d'alimentation secteur à la prise murale.
- 2 Appuyez sur la touche I/O pour mettre le projecteur sous tension.
- 3 Appuyez sur la touche MENU.  
Le menu apparaît.  
Le menu actuellement sélectionné est indiqué par un bouton jaune.



- 4 Appuyez sur la touche **↑** ou **↓** pour sélectionner le menu SET SETTING (REGLAGE), puis appuyez sur la touche **→** ou ENTER.  
Le menu sélectionné apparaît.



- 5 Appuyez sur la touche **↑** ou **↓** pour sélectionner "LANGUAGE," puis appuyez sur la touche **→** ou ENTER.



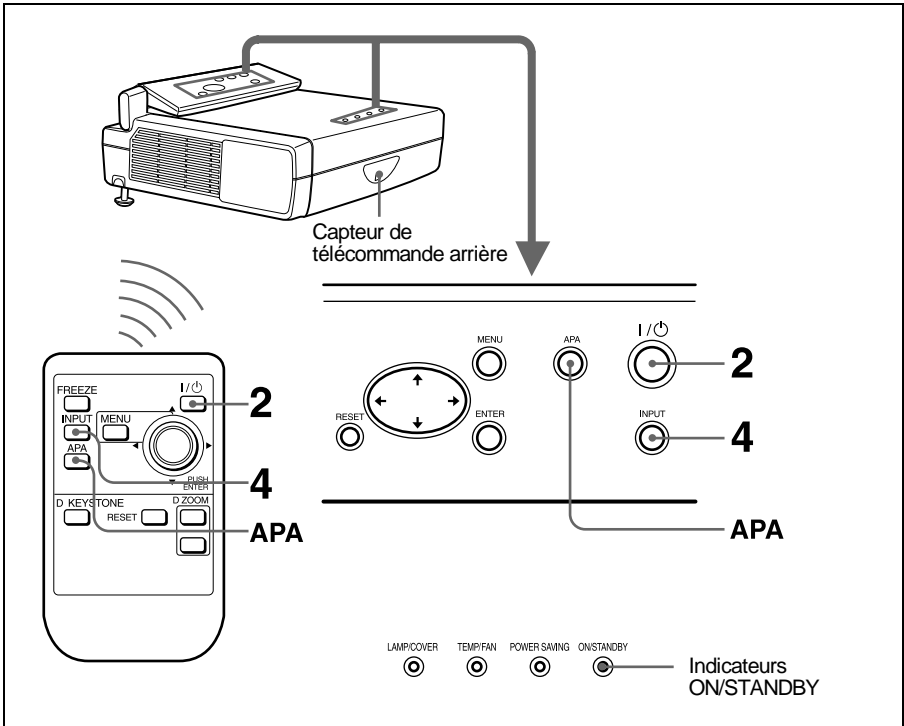
- 6 Appuyez sur la touche **↑** ou **↓** pour sélectionner une langue, puis appuyez sur la touche **←** ou ENTER.  
La langue du menu est remplacée par celle que vous avez sélectionnée.

### **Pour faire disparaître le menu**

Appuyez sur la touche MENU.

Le menu disparaît automatiquement si aucune touche n'est actionnée pendant une minute.

# Projection



- 1 Ouvrez le couvercle avant, puis branchez le cordon d'alimentation secteur à la prise murale, puis raccordez tous les appareils.  
L'indicateur ON/STANDBY s'allume en rouge et le projecteur passe en mode de veille.
- 2 Appuyez sur la touche I / ⏻.  
L'indicateur ON/STANDBY s'allume en vert.
- 3 Met sous tension l'appareil raccordé au projecteur.
- 4 Appuyez sur la touche INPUT pour sélectionner la source d'entrée.

Pour une entrée depuis	Appuyez sur INPUT pour afficher
Ordinateur raccordé au connecteur INPUT A	ENT. A
Appareil vidéo raccordé au connecteur d'entrée VIDEO	VIDEO
Appareil vidéo raccordé au connecteur d'entrée S VIDEO	S VIDEO

- 5 Tournez le levier de zoom pour ajuster la taille de l'image.
- 6 Tournez le levier de mise au point pour régler la netteté de l'image.

#### **Attention**

Ne regardez pas vers l'objectif en cours de projection car vous risquez de vous blesser aux yeux.

### **Pour régler le volume**

Le volume peut être réglé dans le menu à l'écran. Voir "VOLUME" dans le menu CTRL IMAGE en page 25.

### **Pour obtenir l'image optimale**

Vous pouvez obtenir une image optimale lorsque le signal d'un ordinateur est transmis.

- 1 Projetez une image fixe de l'ordinateur.
- 2 Appuyez sur la touche APA.  
"Effectué!" apparaît à l'écran lorsque l'image est ajustée correctement.

#### **Remarques**

- Appuyez sur la touche APA lorsque l'image entière est affichée à l'écran. S'il y a des bords noirs autour de l'image, la fonction APA ne sera fonctionnera pas correctement et l'image risque de déborder de l'écran.
- Si vous commutez le signal d'entrée ou rebranchez un ordinateur, appuyez de nouveau sur la touche APA pour obtenir l'image adéquate.
- Vous pouvez annuler l'ajustement en appuyant de nouveau sur la touche APA pendant que l'indication "REGLAGE" apparaît à l'écran.
- Il se peut que l'image ne soit pas réglée correctement en fonction des types de signaux entrés.
- Réglez les paramètres dans le menu REGL ENTREE lorsque vous ajustez l'image manuellement.

## Pour mettre le projecteur hors tension

**1** Appuyez sur la touche I / ⏻.

“METTRE HORS TENSION? Appuyez de nouveau sur la touche I / ⏻.” apparaît pour vous demander de confirmer la mise hors tension.

### Remarque

Le message disparaît si vous appuyez sur une touche quelconque autre que la touche I / ⏻ ou si vous n'appuyez sur aucune touche pendant cinq secondes.

**2** Appuyez de nouveau sur la touche I / ⏻.

L'indicateur ON/STANDBY clignote en vert et le ventilateur continue de tourner pendant environ 90 secondes pour réduire la chaleur interne.

L'indicateur ON/STANDBY clignote rapidement pendant les 60 premières secondes. Pendant ce temps, vous ne pouvez pas allumer l'indicateur ON/STANDBY à l'aide de la touche I / ⏻.

**3** Débranchez le cordon d'alimentation de la prise secteur après que le ventilateur s'est arrêté de tourner et l'indicateur ON/STANDBY s'allume en rouge.

### Si vous ne pouvez pas confirmer le message à l'écran

Si vous ne pouvez pas confirmer le message affiché à l'écran dans certaines conditions, vous pouvez mettre le projecteur hors tension en maintenant la touche I / ⏻ enfoncée pendant environ une seconde.

### Remarque

Ne débranchez pas le cordon d'alimentation pendant que le ventilateur tourne, faute de quoi le ventilateur cessera de tourner même si la température à l'intérieur du projecteur est toujours élevée, ce qui peut entraîner une panne du projecteur.

### Filtre à air

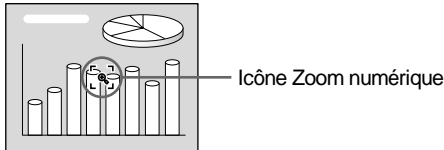
Pour assurer des performances optimales, **nettoyez le filtre à air toutes les 300 heures.**

## Des outils efficaces pour vos présentations

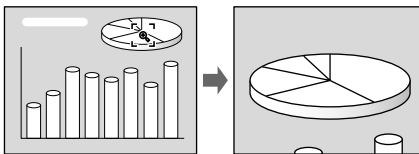
### Pour agrandir l'image (fonction Digital Zoom)

Vous pouvez sélectionner dans l'image un point à agrandir. Cette fonction n'est opérante que si un signal est reçu d'un ordinateur.

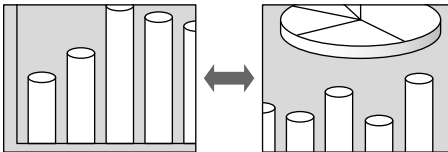
- 1 Appuyez sur la touche D ZOOM + de la télécommande.  
L'icône Zoom numérique apparaît au centre de l'image.



- 2 Placez l'icône sur le point de l'image que vous voulez agrandir. Utilisez la touche fléchée (↑/↓/←/→) pour déplacer l'icône.
- 3 Appuyez de nouveau sur la touche D ZOOM +.  
L'image dans laquelle se trouve l'icône s'agrandit. Le rapport d'agrandissement s'affiche à l'écran pendant quelques secondes.  
En appuyant sur la touche + plusieurs fois, la taille de l'image augmente (rapport d'agrandissement max. 4 fois)



Utilisez la touche fléchée (↑/↓/←/→) pour faire défiler l'image agrandie.



### Pour restaurer la taille originale de l'image

Appuyez sur la touche D ZOOM -. Ou appuyez sur la touche RESET pour restaurer immédiatement la taille originale de l'image.

### Pour geler l'image projetée (fonction Freeze)

Appuyez sur la touche FREEZE. "FREEZE" s'affiche lorsque la touche est enfoncée. Cette fonction n'est opérante que si un signal est reçu d'un ordinateur.

Pour restaurer l'écran d'origine, appuyez de nouveau sur la touche FREEZE.

## Utilisation du MENU

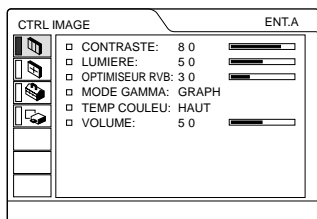
Le projecteur est équipé d'un menu sur écran permettant d'effectuer divers réglages. Vous pouvez modifier la langue de menu affichée à l'écran.

Pour modifier la langue de menu, voir "Sélection de la langue de menu", page 17.

### 1 Appuyez sur la touche MENU.

Le menu apparaît.

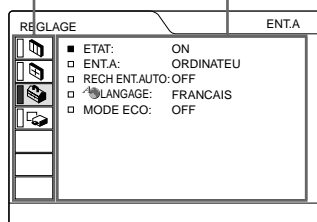
Le menu actuellement sélectionné est indiqué par un bouton jaune.



### 2 Utilisez la touche ↑ ou ↓ pour sélectionner un menu, puis appuyez sur la touche → ou ENTER.

Le menu sélectionné apparaît.

Menus Réglage des paramètres



### 3 Sélectionnez un paramètre. Appuyez la touche ↑ ou ↓ pour sélectionner un paramètre, puis appuyez sur la touche → ou ENTER.

### 4 Procédez au réglage ou à l'ajustement d'un paramètre.

- Lors de la modification d'un niveau de réglage:  
Pour augmenter le nombre, appuyez sur la touche ↑ ou →.  
Pour diminuer le nombre, appuyez sur la touche ↓ ou ←.  
Appuyez sur la touche ENTER pour restaurer l'écran d'origine.
- Lors de la modification du réglage :  
Appuyez sur la touche ↑ ou ↓ pour modifier le réglage.  
Appuyez sur la touche ENTER ou ← pour revenir à l'écran d'origine.

### Pour faire disparaître le menu

Appuyez sur la touche MENU.

Le menu disparaît automatiquement si aucune touche n'est actionnée pendant une minute.

### Pour réinitialiser les paramètres qui viennent d'être réglés

Appuyez sur la touche RESET.

"Effectué!" apparaît à l'écran et les réglages affichés sur l'écran sont restaurés à leur valeur par défaut.

Les paramètres pouvant être réinitialisés sont:

- "CONTRASTE", "LUMIERE", "COULEUR", "TEINTE", "NETTETE" et "OPTIMISEUR RVB" dans le menu CTRL IMAGE
- "PHASE", "AMPL H" et "DEPL" dans le menu REGL ENTREE
- "TRAPEZE NUMER." dans le menu REGL. INSTAL.

### À propos de la mémoire des réglages

Les réglages sont automatiquement sauvegardés dans la mémoire du projecteur.

### Si aucun signal n'est entré

Si aucun signal n'est entré, "PAS D'ENTREE-Réglage impossible." apparaît à l'écran.

### À propos du menu

Vous pouvez régler la position d'affichage du menu, l'intensité de l'image d'arrière-plan et la tonalité des paramètres du menu comme vous le souhaitez.

Pour plus de détails, voir page 28.

---

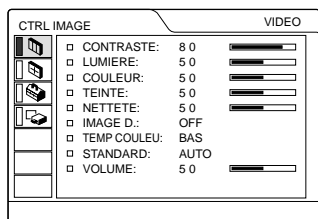
# Le menu CTRL IMAGE

Le menu CTRL (contrôle) IMAGE sert à régler l'image.

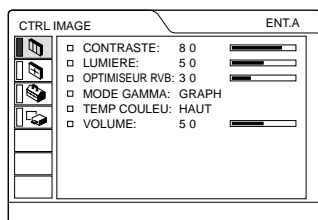
Les paramètres non réglables suivant le signal d'entrée ne sont pas affichés dans le menu.

*Pour plus de détails sur les paramètres non réglables, voir page 38.*

## Lorsque le signal vidéo est entré



## Lorsque le signal RVB est entré



---

## Paramètres du menu

---

### CONTRASTE

Ajuste le contraste de l'image. Plus la valeur de réglage est élevée, plus le contraste est important. Plus la valeur de réglage est basse, plus le contraste est faible.

---

### LUMIERE

Ajuste la luminosité de l'image. Plus la valeur de réglage est élevée, plus la luminosité est importante. Plus la valeur de réglage est basse, plus l'image est sombre.

---

### COULEUR

Ajuste l'intensité des couleurs. Plus la valeur de réglage est élevée, plus l'intensité des couleurs est importante. Plus la valeur de réglage est basse, plus l'intensité des couleurs est faible.

---

### TEINTE

Ajuste la tonalité des couleurs. Plus la valeur de réglage est élevée, plus les tons d'image deviennent verdâtres. Plus la valeur de réglage est faible, plus les tons d'image deviennent violacés.

---

### NETTETE

Ajuste la netteté de l'image. Plus la valeur de réglage est élevée, plus l'image est nette. Plus la valeur de réglage est basse, moins l'image est nette.

---

### OPTIMISEUR RVB

Ajuste la netteté de l'image lorsque des signaux RVB sont entrés. Plus la valeur de réglage est élevée, plus l'image est nette. Plus la valeur de réglage est basse, moins l'image est nette.

---

### IMAGE D. (dynamique)

Renforce les couleurs noires.

**ON** : Accentue la couleur noire pour produire une image plus "dynamique".

**OFF** : Restitue fidèlement les zones noires de l'image conformément au signal source.

---

### MODE GAMMA

Sélectionne une courbe de correction gamma.

**GRAPH** : Améliore la reproduction des demi-teintes. Les photos peuvent être reproduites avec des tons naturels.

**TEXTE** : Souligne le contraste entre le noir et le blanc. Convient aux images comportant beaucoup de texte.



## TEMP COULEU

Ajuste la température des couleurs.

**HAUT** : Rend les blancs plus bleuâtres.

**BAS** : Rend les blancs plus rougeâtres.

## STANDARD (système couleur)

Sélectionne le système de couleur du signal d'entrée.

- **AUTO** : NTSC<sub>3.58</sub>, PAL, SECAM et NTSC<sub>4.43</sub> (commutation automatique)
- **PAL-M/N**: PAL-M/PAL-N et NTSC<sub>3.58</sub> (commutation automatique)

En principe, mettez-le sur AUTO. Si l'image présente des distorsions ou est incolore, sélectionnez le système de couleur en fonction du signal d'entrée.

## VOLUME

Ajuste le volume. Le volume peut être réglé pour chaque entrée INPUT A, VIDEO et S VIDEO.

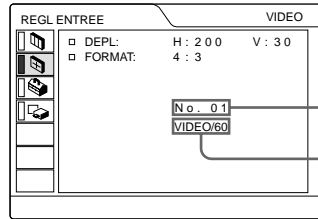
# Le menu REGL ENTREE

Le menu REGL ENTREE sert au réglage du signal d'entrée.

Les paramètres non réglables suivant le signal d'entrée ne sont pas affichés dans le menu.

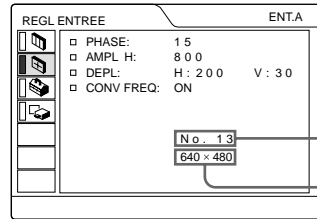
*Pour plus de détails sur les paramètres non réglables, voir page 38.*

## Lorsque le signal vidéo est entré



N° de mémoire  
Type de signal

## Lorsque le signal RVB est entré



N° de mémoire  
Type de signal

Réglages à l'aide du menu

## Paramètres MENU

### PHASE

Ajuste la phase des points du panneau LCD et du signal entré via le connecteur INPUT A.

Ajuste l'image encore plus finement après son réglage par pression de la touche APA. Règle l'image pour qu'elle apparaisse plus nette.

---

## AMPL H

Ajuste la taille horizontale de l'image transmise par le connecteur INPUT A. Plus la valeur de réglage est élevée, plus la taille horizontale de l'image est grande. Plus la valeur de réglage est faible, moins la taille horizontale de l'image est grande. Ajustez le réglage en fonction des points du signal d'entrée.

*Pour plus de détails sur la valeur adéquate pour les signaux présélectionnés, voir page 39.*

---

## DEPL. (déplacement)

Ajuste la position de l'image transmise par le connecteur INPUT A. H règle la position horizontale de l'image. V règle la position verticale de l'image. Plus la valeur de H augmente, plus l'image se déplace vers la droite; plus la valeur diminue, plus l'image se déplace vers la gauche.

Plus la valeur de V augmente, plus l'image se déplace vers le haut; plus la valeur diminue, plus l'image se déplace vers le bas. Utilisez les touches ← ou → pour ajuster la position horizontale et les touches ↑ et ↓ pour la position verticale.

---

## CONV FREQ (convertisseur de balayage)

Convertit le signal pour afficher l'image en fonction de la taille de l'écran.

**ON :** Affiche l'image en fonction de la taille de l'écran. L'image perd cependant un peu de clarté.

**OFF :** Affiche l'image en faisant correspondre un pixel d'élément d'image entré à un pixel de l'écran LCD. L'image affichée est claire, mais d'une taille inférieure.

### Remarque

Lorsqu'un signal SVGA ou XGA est reçu, cet élément n'est pas affiché.

---

## FORMAT

Définit le format de l'image. Lors de l'entrée d'un signal 16:9 (compressé) à partir d'un appareil tel qu'un lecteur DVD, choisissez 16:9.

**4:3 :** Lorsqu'une image de rapport d'écran 4:3 est entrée.

**16:9 :** Lorsqu'une image de rapport d'écran 16:9 (compressé) est entrée.

## À propos du n° de mémoire de présélection

Ce projecteur est doté de 25 types de données de présélection pour les signaux d'entrée (la mémoire de présélection). Le numéro de mémoire du signal d'entrée en cours et le type de signal sont affichés lorsque le signal de présélection est entré. Le numéro de mémoire et le type de signal de ce signal sont affichés dans le menu REGL ENTREE. Vous pouvez également ajuster les données de présélection via le menu REGL ENTREE.

Ce projecteur est également doté de 20 types de mémoires utilisateur pour ENT.A, dans lesquelles vous pouvez sauvegarder le réglage des données réglées pour un signal d'entrée non présélectionné.

Lorsqu'un signal non présélectionné est entré pour la première fois, le numéro de mémoire 0 s'affiche. Si le signal d'entrée est ajusté dans le menu REGL ENTREE, il sera affecté au projecteur. Si plus de 20 mémoires utilisateur sont affectées, la mémoire la plus récente remplace toujours la plus ancienne.

*Reportez-vous au tableau de la page 39 pour savoir si le signal est enregistré dans la mémoire de présélection.*

Comme les données sont rappelées de la mémoire de présélection pour les signaux suivants, vous pouvez utiliser ces données présélectionnées en ajustant AMPL H. Effectuez le réglage fin en ajustant DEPL.

Signal	N° de mémoire	AMPL
Super Mac-2	23	1312
SGI-1	23	1320
Macintosh 19"	25	1328

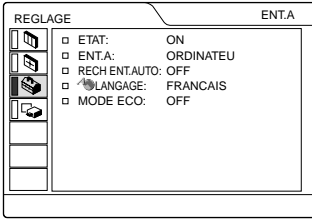
### Remarque

Lorsque le format de l'image du signal d'entrée est différent de 4:3, une partie de l'écran s'affiche en noir.

---

# Le menu REGLAGE

Le menu REGLAGE est utilisé pour changer les réglages du projecteur.



---

## Paramètres du menu

---

### ETAT (affichage sur écran)

Règle l'affichage sur écran.

**ON** : Affichage de tous les affichages sur écran.

**OFF** : Désactive les affichages à l'exception des menus, du message d'indication de mise hors tension et des messages d'avertissement.

---

### ENT. A

Sélectionne le signal RVB vidéo, à composantes ou de l'ordinateur entré via le connecteur INPUT A.

#### Remarque

Si le réglage n'est pas correct, l'indication "Vérifiez le réglage ENT.A." apparaît à l'écran et les couleurs de l'image deviennent étranges ou l'image ne s'affiche pas.

---

### RECH ENT. AUTO

Lorsqu'il est réglé sur ON, le projecteur détecte les signaux d'entrée dans l'ordre suivant : ENT.A/VIDEO/S-VIDEO. Indique le canal d'entrée lorsque l'appareil est sous tension ou la touche INPUT est actionnée.

---

### LANGAGE

Sélectionne la langue d'affichage du menu système et des écrans de menu. Les langues disponibles sont: anglais, français, allemand, italien, espagnol, japonais et chinois.

---

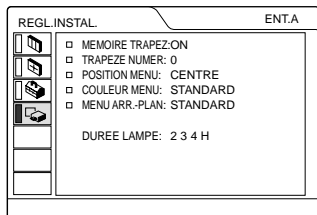
### MODE ECO

Lorsqu'il est réglé sur ON, le projecteur passe en mode d'économie d'énergie si aucun signal n'est entré pendant 10 minutes.

---

# Le menu REGL. INSTAL.

Le menu REGL. INSTAL. est utilisé pour changer les réglages du projecteur.



---

## Paramètres du menu

---

### MEMOIRE TRAPEZ

**ON :** Le réglage TRAPEZE NUMER est enregistré. Les données sont récupérées lorsque le projecteur est mis sous tension. Le réglage sera le même toute les fois.

**OFF :** TRAPEZE NUMER est remis à 0 à la prochaine remise sous tension.

---

### TRAPEZE NUMER

Ajuste la distorsion trapézoïdale due à l'angle de projection.

**Lorsque le haut du trapèze est plus long que le bas**  : Choisissez une valeur positive.

---

### POSITION MENU

Sélectionne la position d'affichage du menu parmi HAUT GAUCHE, BAS GAUCHE, CENTRE, HAUT DROITE et BAS DROITE.

---

### COULEUR MENU

Sélectionne la tonalité du menu parmi STANDARD, CHAUDE, FROIDE, VERTE OU GRISE.

---

### MENU ARR. – PLAN

Sélectionne l'intensité de l'arrière-plan du menu entre SOMBRE, STANDARD et CLAIR.

---

### DUREE LAMPE

Indique le nombre total d'heures de fonctionnement de la lampe.

#### Remarque

Indique le temps seulement. L'affichage n'est pas modifiable.

# Entretien

## Remplacement de la lampe

Lorsque la lampe a grillé ou s'affaiblit, le message "Remplacer la lampe" s'affiche, remplacer la lampe. Utiliser une lampe pour projecteur LMP-C121 neuve. La durée de vie de la lampe dépend des conditions d'utilisation.

### Pour remplacer la lampe après avoir utilisé le projecteur

Mettez le projecteur hors tension et débranchez le cordon d'alimentation. Attendez au moins une heure que la lampe refroidisse.

#### Attention

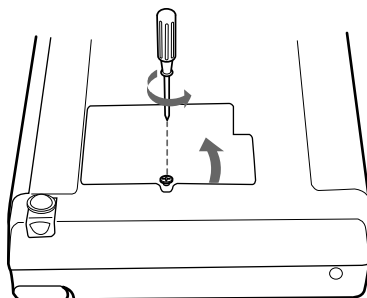
La lampe atteint une température très élevée après la mise hors tension du projecteur avec la touche I / ⏻. Si vous touchez la lampe, vous risquez de vous brûler les doigts. Pour remplacer la lampe, attendez au moins une heure que la lampe soit refroidie.

- 1 Placez une feuille de protection (textile) sous le projecteur. Retournez le projecteur de façon à en voir le dessous.

#### Remarque

Veillez à ce que le projecteur ne bascule pas après avoir été retourné.

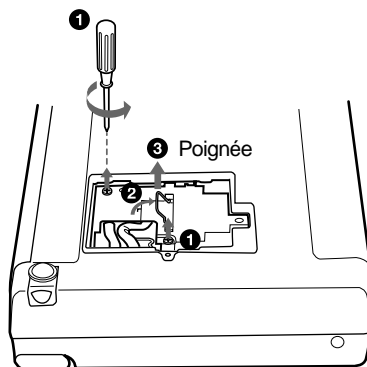
- 2 Ouvrez le couvercle de la lampe en dévissant la vis au moyen d'un tournevis cruciforme (fourni avec la lampe pour projecteur).



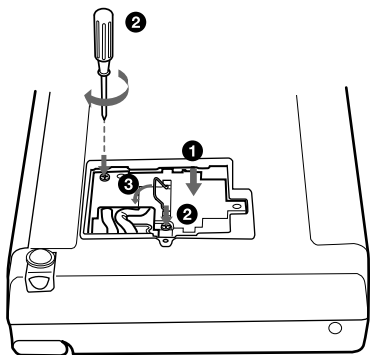
#### Remarque

Par mesure de sécurité, ne desserrez pas d'autres vis.

- 3 Desserrez les vis du module de lampe à l'aide du tournevis cruciforme. Extrayez le module de lampe par la poignée.



- 4** Introduisez la nouvelle lampe à fond jusqu'à ce qu'elle soit correctement en place. Serrez les vis. Repliez la poignée.



#### Remarques

- Veillez à ne pas toucher la surface en verre de la lampe.
- Le projecteur ne se met pas sous tension si la lampe n'est pas correctement installée.

- 5** Refermez le couvercle de la lampe et serrez les vis.
- 6** Remettez le projecteur à l'endroit.
- 7** Branchez le cordon d'alimentation et activez le projecteur en mode de veille.
- 8** Appuyez sur chacune des touches suivantes du panneau de commande dans l'ordre indiqué pendant moins de cinq secondes: **RÉSET**, **←**, **→**, **ENTER**.

#### Remarques

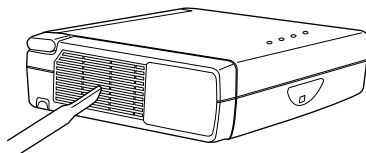
- Pour le remplacement, utilisez uniquement une lampe pour projecteur LMP-C121. Si vous utilisez une autre lampe, le projecteur risque de connaître une défaillance.
- Mettez le projecteur hors tension et débranchez le cordon d'alimentation avant de procéder au remplacement de la lampe.
- N'introduisez pas les doigts à l'intérieur du logement de la lampe et veillez à ce qu'aucun liquide ou objet n'y pénètre de manière à

prévenir tout risque d'électrocution ou d'incendie.

## Nettoyage du filtre à air

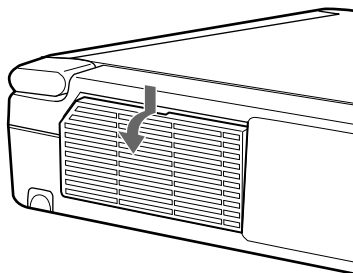
Le filtre à air doit être nettoyé toutes les 300 heures.

Enlevez la poussière de l'extérieur des orifices de ventilation au moyen d'un aspirateur.

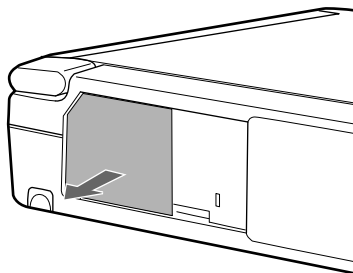


Quand il devient difficile d'enlever la poussière du filtre à l'aspirateur, ôtez le filtre à air et lavez-le.

- 1** Mettez le projecteur hors tension et débranchez le cordon d'alimentation.
- 2** Ôtez le couvercle du filtre à air.



- 3** Déposez le filtre à air.



**4** Lavez le filtre à air au moyen d'une solution détergente neutre et lavez-le dans un endroit ombragé.

**5** Réinstallez le filtre et remettez le couvercle en place.

#### **Remarques**

- Si vous ne parvenez pas à éliminer la poussière, remplacez le filtre à air par le filtre neuf fourni.
- Veillez à fixer le couvercle de filtre à air correctement, parce que le projecteur ne se mettra pas sous tension si le couvercle est mal refermé.
- Le filtre à air possède un côté avant et un côté arrière. Placez le filtre à air de sorte qu'il s'engage dans une rainure du couvercle du filtre à air.



# Dépannage

Si le projecteur ne fonctionne pas correctement, essayez d'en déterminer la cause et remédiez au problème en vous référant aux instructions ci-dessous. Si le problème persiste, consultez le personnel qualifié Sony.

## Alimentation

Symptôme	Cause et remède
Le projecteur ne se met pas sous tension.	<ul style="list-style-type: none"><li>• Le projecteur a été mis hors et sous tension à brefs intervalles à l'aide de la touche I / ⏻.</li><li>→ Attendez environ 90 secondes avant de mettre le projecteur sous tension. (voir page 21).</li><li>• Le couvercle de la lampe est mal fixé.</li><li>→ Refermez correctement le couvercle de la lampe (voir page 29).</li><li>• Le couvercle du filtre à air est mal fixé.</li><li>→ Refermez correctement le couvercle du filtre à air (voir page 30).</li></ul>
Les indicateurs LAMP/COVER et TEMP/FAN sont tous deux allumés.	<ul style="list-style-type: none"><li>• Le circuit électrique est défectueux.</li><li>→ Adressez-vous à un personnel qualifié Sony.</li></ul>

## Image

Symptôme	Cause et remède
Pas d'image.	<ul style="list-style-type: none"><li>• Un câble est débranché ou les raccordements sont mal effectués.</li><li>→ Vérifiez si le raccordement a été effectué correctement (voir page 14).</li><li>• La sélection d'entrée est incorrecte.</li><li>→ Sélectionnez correctement la source d'entrée à l'aide de la touche INPUT (voir page 19).</li><li>• Le signal de l'ordinateur n'est pas défini pour sortir vers un moniteur externe.</li><li>→ Réglez le signal de l'ordinateur pour qu'il sorte vers un moniteur externe. (voir page 14).</li><li>• Le signal de l'ordinateur est défini pour sortir vers l'écran LCD de l'ordinateur et un moniteur externe.</li><li>→ Réglez le signal de l'ordinateur pour qu'il sorte uniquement vers un moniteur externe. (voir page 14).</li></ul>
L'image comporte des parasites.	<ul style="list-style-type: none"><li>• Des parasites peuvent apparaître en arrière-plan suivant la combinaison du nombre de points entrés via le connecteur et du nombre de pixels du panneau LCD.</li><li>→ Changez la configuration sur l'ordinateur raccordé.</li></ul>
L'image via le connecteur INPUT A présente des couleurs anormales.	<ul style="list-style-type: none"><li>• Le réglage pour ENT.A dans le menu REGLAGE est incorrect.</li><li>→ Sélectionnez ORDINATEUR, VIDEO GBR ou COMPOSANT pour ENT.A dans le menu REGLAGE en fonction du signal d'entrée (voir page 27).</li></ul>
“Vérifiez le réglage pour ENT.A.” apparaît même si le signal d'entrée correct est transmis via INPUT A.	<ul style="list-style-type: none"><li>• Le réglage pour ENT.A dans le menu REGLAGE est incorrect.</li><li>→ Sélectionnez ORDINATEUR, VIDEO GBR ou COMPOSANT pour ENT.A dans le menu REGLAGE en fonction du signal d'entrée (voir page 27).</li></ul>



Symptôme	Cause et remède
Pas d'affichage sur écran.	<ul style="list-style-type: none"> <li>Le paramètre ETAT du menu REGLAGE est réglé sur OFF. → Réglez ETAT dans le menu REGLAGE sur ON (voir page 27).</li> </ul>
La balance des couleurs est incorrecte.	<ul style="list-style-type: none"> <li>L'image n'est pas correctement réglée. → Réglez l'image (voir page 24).</li> <li>Le projecteur est réglé sur le mauvais système couleur. → Réglez STANDARD dans le menu CTRL IMAGE pour qu'il corresponde au système couleur entré (voir page 25).</li> </ul>
L'image est trop foncée.	<ul style="list-style-type: none"> <li>Le contraste ou la luminosité n'est pas réglé correctement. → Réglez correctement le contraste ou la luminosité dans le menu CTRL IMAGE (voir page 24).</li> </ul>
L'image n'est pas claire.	<ul style="list-style-type: none"> <li>L'image n'est pas nette. → Réglez la mise au point de l'image (voir page 20).</li> <li>De la condensation s'est formée sur l'objectif. → Laissez le projecteur environ deux heures sous tension.</li> </ul>
L'image apparaît trop petite à l'écran.	<ul style="list-style-type: none"> <li>Le paramètre DEPL du menu REGL. ENTREE n'a pas été bien réglé. → Réglez correctement DEPL dans le menu REGL. ENTREE (voir page 26).</li> </ul>
L'image tremblote.	<ul style="list-style-type: none"> <li>Le paramètre PHASE du menu REGL. ENTREE n'a pas été bien réglé. → Réglez correctement PHASE dans le menu REGL. ENTREE (voir page 25).</li> </ul>

## Son

Symptôme	Cause et remède
Pas de son.	<ul style="list-style-type: none"> <li>Un câble est débranché ou les raccordements sont mal effectués. → Vérifiez si les raccordements ont été effectués correctement (voir page 14).</li> </ul>
Lorsque le son est transmis par le connecteur AUDIO, le son ne passe que par un seul canal.	<ul style="list-style-type: none"> <li>Le son monaural est entré par le connecteur AUDIO. → Entrez un son stéréo.</li> </ul>

## Télécommande

Symptôme	Cause et remède
La télécommande ne fonctionne pas.	<ul style="list-style-type: none"> <li>Les piles de la télécommande sont épuisées. → Remplacez la pile (voir page 12).</li> </ul>

## Divers

Symptôme	Cause et remède
L'indicateur LAMP/COVER clignote.	<ul style="list-style-type: none"> <li>Le couvercle de la lampe ou du filtre à air est mal fixé. → Fixez correctement le couvercle (voir page 29).</li> </ul>
L'indicateur LAMP/COVER s'allume.	<ul style="list-style-type: none"> <li>La lampe a atteint la fin de sa durée de vie. → Remplacez la lampe (voir page 29).</li> <li>La lampe a atteint une température élevée. → Attendez 90 secondes que la lampe refroidisse et remettez le projecteur sous tension (voir page 21).</li> </ul>

Symptôme	Cause et remède
L'indicateur TEMP/FAN clignote.	<ul style="list-style-type: none"> <li>Le ventilateur est défectueux. → Adressez-vous à un personnel qualifié Sony.</li> </ul>
L'indicateur TEMP/FAN s'allume.	<ul style="list-style-type: none"> <li>La température à l'intérieur du projecteur est anormalement élevée. → Vérifiez si les orifices de ventilation ne sont pas obstrués.</li> </ul>
Les témoins LAMP/COVER et TEMP/FAN sont tous deux allumés.	<ul style="list-style-type: none"> <li>Le circuit électrique est défectueux. → Adressez-vous à un personnel qualifié Sony.</li> </ul>

## Messages d'avertissement

Consultez la liste ci-dessous pour connaître la signification des messages affichés à l'écran.

Message	Signification et remède
Surchauffe! Lampe OFF 1 min.	<ul style="list-style-type: none"> <li>La température à l'intérieur du projecteur est trop élevée. → Mettez le projecteur hors tension. → Vérifiez si les orifices de ventilation ne sont pas obstrués.</li> </ul>
Fréquence est hors limites!	<ul style="list-style-type: none"> <li>Ce signal d'entrée ne peut être projeté car la fréquence est en-dehors de la plage compatible avec ce projecteur. → Entrez un signal dans la plage de fréquences compatible avec ce projecteur.</li> <li>Le réglage de la définition du signal de sortie de l'ordinateur est trop élevé. → Réglez la sortie sur SVGA (voir page 14).</li> </ul>
Vérifiez le réglage ENT.A.	<ul style="list-style-type: none"> <li>Vous avez entré un signal RVB de l'ordinateur alors que ENT.A dans le menu REGLAGE est réglé sur COMPOSANT. → Réglez ENT.A correctement (voir page 27).</li> </ul>
Remplacer la lampe.	<ul style="list-style-type: none"> <li>Le moment est venu de remplacer la lampe. → Remplacez la lampe.</li> </ul>

## Messages de précaution

Consultez la liste ci-dessous pour connaître la signification des messages affichés à l'écran.

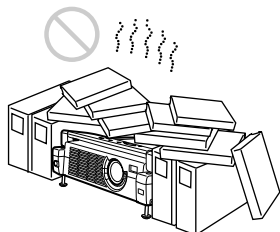
Message	Signification et remède
PAS D'ENTREE	<ul style="list-style-type: none"> <li>Absence de signal d'entrée → Vérifiez les connexions (voir page 14).</li> </ul>
Non applicable!	<ul style="list-style-type: none"> <li>Vous avez appuyé sur la mauvaise touche. → Appuyez sur la touche appropriée.</li> </ul>

## Remarques sur l'installation

### Installation déconseillée

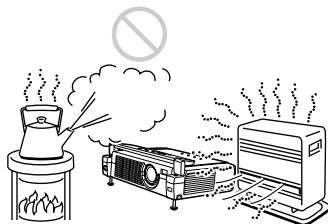
N'installez pas le projecteur dans les situations suivantes. Ces installations peuvent entraîner un dysfonctionnement ou causer des dommages au projecteur.

### Mauvaise ventilation



- Assurez une circulation d'air adéquate afin d'éviter toute surchauffe interne. Ne placez pas l'appareil sur des surfaces textiles (tapis, couvertures, etc.) ni à proximité de rideaux ou de draperies susceptibles d'obstruer les orifices de ventilation. Si la température intérieure augmente à la suite d'une obstruction des orifices de ventilation, le capteur de température s'active et le message "Surchauffe! Mise hors tension dans 1 min." s'affiche. Le projecteur se met alors automatiquement hors tension après une minute.
- Laissez un espace libre de plus de 30 cm (11 <sup>7</sup>/<sub>8</sub> pouces) autour du projecteur.
- Veillez à ce que les orifices de ventilation n'aspirent pas de particules telles que des morceaux de papier.

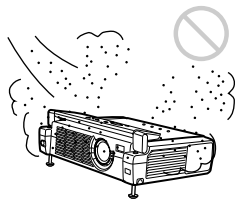
### Exposition à la chaleur et à l'humidité



- N'installez pas l'appareil dans un endroit où la température ou l'humidité sont très élevées ou dans un endroit très froid.
- Pour éviter la condensation d'humidité, n'installez pas l'appareil dans un endroit où la température peut augmenter rapidement.

### Endroit très poussiéreux

N'installez pas l'appareil dans un endroit très poussiéreux, faute de quoi le filtre à air va s'obstruer. La poussière obstruant le passage de l'air dans le filtre peut entraîner une augmentation de la température intérieure du projecteur. Nettoyez-le régulièrement.

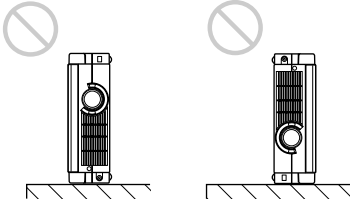


## Positions déconseillées

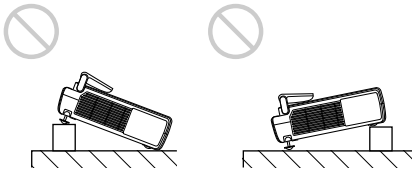
N'utilisez pas le projecteur dans les situations suivantes.

### N'installez pas le projecteur sur son flanc

Évitez d'utiliser le projecteur dans une position qui pourrait entraîner un basculement. Car cela pourrait provoquer un dysfonctionnement.

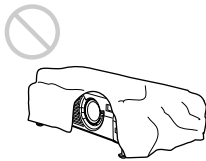


### Inclinaison de l'appareil en dehors des limites du support réglable



N'installez pas le projecteur à d'autres endroits qu'au sol. Évitez d'utiliser cet appareil lorsqu'il est incliné en dehors des limites du support réglable. De telles installations peuvent être à l'origine de dysfonctionnements.

### Dégagez les orifices de ventilation



Ne recouvrez pas les orifices de ventilation du projecteur, faute de quoi une surchauffe interne risque de se produire.

## Spécifications

### Caractéristiques optiques

Système de projection	Système de projection à 3 panneaux LCD, 1 objectif
Panneau LCD	panneau LCD TFT 0,7 pouce, 1.440.000 pixels (480.000 pixels × 3)
Objectif	Zoom 1,2x f 28,4 à 34,0 mm/F 1,8 à 2,2
Lampe	UHP de 120 W
Dimensions de l'image projetée	Plage : 40 à 150 pouces (en diagonale)
Intensité lumineuse	ANSI lumen <sup>1)</sup> 700 lm
Distance de projection	Lorsque le signal SVGA est entré 40 pouces : 1586 à 1837 mm (62 1/4 à 72 5/8 pouces) 60 pouces : 2402 à 2777 mm (94 1/2 à 109 1/2 pouces) 80 pouces : 3217 à 3716 mm (126 1/4 à 146 5/8 pouces) 100 pouces : 4033 à 4656 mm (158 1/16 à 183 3/2 pouces) 120 pouces : 4849 à 5596 mm (191 à 220 1/2 pouces) 150 pouces : 6072 à 7005 mm (239 1/4 à 276 1/8 pouces)

1) La luminosité ANSI est une méthode de mesure conforme à l'American National Standard IT 7.228.

### Caractéristiques électriques

Système couleur	NTSC3.58/PAL/SECAM/ NTSC4.43/PAL-M/PAL-N, commutation automatique/ manuelle
Résolution	600 lignes TV horizontales (entrée vidéo) 800 × 600 points (entrée RVB)
Signaux d'ordinateur compatibles	fH : 15 à 70 kHz fV : 48 à 85 Hz
Haut-parleur	Haut-parleurs stéréo, 28 mm (1 1/8 pouces) de diamètre, max. 0,5 W × 2

## Entrée/sortie

### Entrée vidéo

VIDEO : type phono  
Vidéo composite : 1 Vcc  $\pm$ 2 dB  
de synchro négative  
(terminaison à 75 ohms)  
S VIDEO : miniconnecteur DIN  
Y/C à 4 broches (mâle)  
Y (luminance) : 1 Vcc  $\pm$ 2 dB de  
synchro négative (terminaison à  
75 ohms)  
C (chrominance) : salve  
0,286 Vp-p  $\pm$ 2 dB (NTSC)  
(terminaison à 75 ohms),  
salve 0,3 Vcc  $\pm$ 2 dB (PAL)  
(terminaison à 75 ohms)

### INPUT A

HD D-sub à 15 broches (femelle)  
RVB analogique/à composantes :  
R/R-Y : 0,7 Vcc  $\pm$ 2 dB  
(terminaison à 75 ohms)  
G : 0,7 Vcc  $\pm$ 2 dB  
(terminaison à 75 ohms)  
G avec synchro/Y : 1 Vcc  $\pm$ 2 dB  
synchro négative  
(terminaison à 75 ohms)  
B/B-Y : 0,7 Vcc  $\pm$ 2 dB  
(terminaison à 75 ohms)  
SYNC/HD :  
Entrée synchro composite :  
1-5 Vcc haute impédance,  
positive/négative  
Entrée synchro horizontale :  
1-5 Vcc haute impédance,  
positive/négative  
VD :  
Entrée synchro verticale :  
1-5 Vcc haute impédance,  
positive/négative

### AUDIO

Miniprise stéréo  
500 mVrms, impédance  
supérieure à 47 kilohms

### Réglementation de sécurité

UL1950, cUL (CSA No. 950),  
FCC Class B, IC Class B,  
NEMKO (EN60950), CE  
(LVD, EMC), C-Tick

## Généralités

Dimensions 275  $\times$  65  $\times$  214 mm (10  $\frac{7}{8}$   $\times$  2  $\frac{5}{8}$   $\times$   
8  $\frac{1}{2}$  pouces) (l/h/p) (avec le  
couvercle avant refermé, sans  
les parties saillantes)

Mass Approx. 2,4 kg (5 lb 5 oz)

### Alimentation

100 à 240 V CA, 1,9 -0,8 A,  
50/60 Hz

### Consommation électrique

Max. 190 W

(Mode de veille : 5 W)

### Dissipation de chaleur

648,4 BTU

### Température de fonctionnement

0 à 35°C

### Humidité de fonctionnement

35% à 85% (sans condensation)

### Température de stockage

-20°C à 60°C

### Humidité de stockage

10% à 90%

### Accessoires fournis

Télécommande RM-PJ2 (1)

Pile au lithium CR2025 (1)

Câble HD D-sub à 15 broches

(2 m) (1)

(1-791-992-21)

Mallette de transport (1)

Cordon d'alimentation (1)

Filtre à air (pour remplacement)

(1)

Mode d'emploi (1)

Carte de référence rapide (1)

Noyau de Ferrite (1)

La conception et les spécifications sont sujettes à  
modifications sans préavis.

## Accessoires en option

Lampe pour projecteur LMP-C121 (pour  
remplacement)

Câble de signalSMF-402 (HD D-sub à 15 broches

(mâle)  $\leftrightarrow$  3  $\times$  type phono

(mâle))

Câble de moniteurSMF-410 (HD D-sub à 15

broches (mâle)  $\leftrightarrow$  HD D-sub à

15 broches (mâle))

Adaptateur de signal

ADP-20 (Macintosh  $\leftrightarrow$  HD D-

sub à 15 broches)

Écrans

portable de 50 pouces

VPS-50C<sup>1)</sup>

Écran plat de 100 pouces

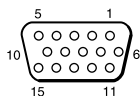
VPS-100FH

*Il est possible que certains de ces accessoires ne  
soient pas disponibles dans certaines régions.  
Pour plus de détails, veuillez consulter votre  
revendeur Sony.*

1) Il se peut que la lampe VPS-50C ne soit pas  
disponible dans toutes les régions. Pour plus de  
détails, veuillez consulter votre revendeur  
Sony.

## Affectation des broches

### Connecteur INPUT A (HD D-sub à 15 broches, femelle)



1	R/R-Y	9	N.C.
2	G/Y	10	GND
3	B/B-Y	11	GND
4	GND	12	DDC/SDA
5	GND	13	HD/C.Sync
6	GND (R)	14	VD
7	GND (G)	15	DDC/SCL
8	GND (B)		

## Signaux d'entrée et paramètres réglables/de réglage

### Menu CTRL IMAGE

Paramètre	Signal d'entrée				
	Vidéo ou S vidéo (Y/C)	Composante	Video GBR	Ordinateur	B&W
CONTRASTE	●	●	●	●	●
LUMIERE	●	●	●	●	●
COULEUR	●	●	●	-	-
TEINTE	● (NTSC 3.58/ 4.43 unique- ment)	●	●	-	-
NETTETE	●	●	●	-	●
OPTIMISER RVB	-	-	-	●	-
IMAGE D.	●	●	●	-	●
MODE GAMMA	-	-	●	●	-
TEMP COULEU	●	●	●	●	●
STANDARD	●	-	-	-	●
VOLUME	●	●	●	●	●

● : Réglable/peut être réglé

- : Non réglable/ne peut être réglé

## Menu REGL ENTREE

Paramètre	Signal d'entrée				
	Vidéo ou S vidéo (Y/C)	Composante	Video GBR	Ordinateur	B&W
PHASE	-	-	-	●	-
AMPL H	-	-	-	●	-
DEPL. (déplacement)	●	●	●	●	●
CONV FREQ	-	-	-	● (Inférieur à VGA)	-
FORMAT	●	●	●	-	●

● : Réglable/peut être réglé

- : Non réglable/ne peut être réglé

## Signaux présélectionnés

N° de mémoire	Signal présélectionné		fH (kHz)	fV (Hz)	Synchro	AMPL (dimension horizontale)
1	Vidéo 60 Hz		15,734	59,940		
2	Vidéo 50 Hz		15,625	50,000		
3	RVB 15k/à composantes 60 Hz		15,734	59,940	S sur G/Y ou Composite Synchro	
4	RVB 15k/à composantes 50 Hz		15,625	50,000	S sur G/Y ou Composite Synchro	
6	640 × 350	VGA mode 1	31,469	70,086	H-pos, V-nég	800
7		VGA VESA 85 Hz	37,861	85,080	H-pos, V-nég	832
8	640 × 400	PC-9801 Normal	24,823	56,416	H-nég, V-nég	848
9		VGA mode 2	31,469	70,086	H-nég, V-pos	800
10		VGA VESA 85 Hz	37,861	85,080	H-nég, V-pos	832
11	640 × 480	VGA mode 3	31,469	59,940	H-nég, V-nég	800
12		Macintosh 13"	35,000	66,667	H-nég, V-nég	864
13		VGA VESA 72 Hz	37,861	72,809	H-nég, V-nég	832
14		VGA VESA 75 Hz	37,500	75,000	H-nég V-nég	840
15		VGA VESA 85 Hz	43,269	85,008	H-nég V-nég	832
16	800 × 600	SVGA VESA 56 Hz	35,156	56,250	H-pos, V-pos	1024
17		SVGA VESA 60 Hz	37,879	60,317	H-pos, V-pos	1056
18		SVGA VESA 72 Hz	48,077	72,188	H-pos, V-pos	1040
19		SVGA VESA 75 Hz	46,875	75,000	H-pos, V-pos	1056
20		SVGA VESA 85 Hz	53,674	85,061	H-pos, V-pos	1048
21	832 × 624	Macintosh 16"	49,724	74,550	H-nég, V-nég	1152
22	1024 × 768	XGA VESA 43 Hz	35,524	43,479	H-pos, V-pos	1264
23		XGA VESA 60 Hz	48,363	60,004	H-nég V-nég	1344
24		XGA VESA 70 Hz	56,476	70,069	H-nég V-nég	1328
25		XGA VESA 75 Hz	60,023	75,029	H-pos, V-pos	1312
26		XGA VESA 85 Hz	68,677	84,997	H-pos, V-pos	1376

Divers

### Remarque

Lorsqu'un signal autre que l'un de ceux présentés ci-dessus est entrée, l'image pourra ne pas apparaître correctement.

## Avertissement relatif au raccordement secteur

Utilisez un cordon d'alimentation adéquat pour votre alimentation secteur locale.

	États-Unis, Canada	Europe continentale	Royaume- Uni	Australie	Japon
Type de fiche	YP-11	YP-21	SP-61	B8	YP-13
Extrémité femelle	YC-13L	YC-13L	YC-13L	C7-2	YC-13L
Type de cordon	SPT-2	H03VVH2-F	H03VVH2-F	H03VVH2-F	VFF
Tension & courant nominaux	10A/125V	2,5A/250V	2,5A/250V	2,5A/250V	7A/125V
Approbation de sécurité	UL/CSA	VDE	BS	SAA	DENANHO



# Index

## A

- Accessoires en option .....37
- Accessoires fournis .....37
- Affectation des brochures ..38
- Alimentation
  - mise sous tension .....19
- AMPL H .....26

## C

- Capteur de télécommande
  - arrière .....8
  - avant .....7
- Connecteur INPUT A .....10
  - affectation des brochures .....38
- Connexions
  - appareil à composantes .....15
  - Magnétoscope .....15
  - ordinateur .....14
- CONTRASTE .....24
- CONV FREQ .....26
- COULEUR .....24
- COULEUR MENU .....28
- CTRL IMAGE .....24

## D

- DEPL. (déplacement) .....26

## E

- Emplacement et fonction des commandes
  - arrière/côté gauche .....7
  - avant/côté/bas .....7
  - panneau de commande .....10
  - panneau des connecteurs .....10
  - Télécommande .....11
- ENT. A .....27
- ETAT (affichage sur écran) .....27

- Exemples d'installation ..13
  - installation déconseillée .....35
  - positions déconseillées .....36
  - remarques .....35

## F

- Filtre à air .....30
- Fonction Digital Zoom ...22
- FORMAT .....26

## G

- Guide de dépannage .....32

## I

- IMAGE D. (dynamique) 24

## L

- LANGAGE .....27
  - sélection de la langue de menu .....17
- LUMIERE .....24

## M

- Menu
  - CTRL IMAGE .....24
    - pour faire disparaître le menu .....23
  - REGL ENTREE .....25
  - REGLAGE .....27
    - utilisation du MENU ..23
- MENU ARR. – PLAN ..28
- Message
  - avertissement .....34
  - précaution .....34
- MODE ECO .....7, 27
- MODE GAMMA .....24

## N

- NETTETE .....24

## O

- OPTIMISEUR RVB .....24
- Orifices de ventilation
  - prise d'air .....8
  - sortie d'air .....8

## P

- PHASE .....25
- Pile
  - installation .....12
  - remarques .....12
- POSITION MENU .....28
- Précautions .....4

## R

- RECH ENT. AUTO .....27
- REGL ENTREE .....25
- REGL. INSTAL. ....28
- REGLAGE .....27
- Réglage
  - de l'image .....20, 24
  - de la taille/déplacement de l'image .....26
  - mémoire des réglages ..23
- Réinitialisation
  - paramètres réinitialisables ....23
  - réinitialisation du paramètre .....23
- Remplacement de la lampe .....29

## S

- Spécifications .....36
- STANDARD (système couleur) .....25
- Support réglable .....9

## T

- Taille d'écran .....13, 36
- TEINTE .....24
- Télécommande .....11
  - emplacement et fonction des commandes ...11
  - installation de la pile ..12
- TEMP COULEU .....25

## V

- VOLUME .....25

---

# ADVERTENCIA

**Para evitar el riesgo de incendio o electrocución, no exponga la unidad a la lluvia ni a la humedad.**

**Para evitar recibir descargas eléctricas, no abra el aparato. Contrate exclusivamente los servicios de personal cualificado.**

La toma de corriente debe encontrarse cerca del equipo y ser de fácil acceso.

---

# Contenido

---

## **Descripción general**

Precauciones .....	4
Características .....	5
Ubicación y función de los controles	6
Parte frontal/lateral/inferior .....	6
Parte posterior/lateral izquierda ....	6
Panel de control .....	9
Panel de conectores .....	9
Mando a distancia .....	10

---

## **Instalación y proyección**

Instalación del proyector .....	12
Conexión del proyector .....	13
Conexión con un ordenador .....	13
Conexión a una videograbadora o a un equipo RVA de 15k/componente .....	14
Selección del idioma del menú .....	16
Proyección .....	18
Herramientas efectivas para las presentaciones .....	21

---

## **Realización de ajustes mediante el menú**

Uso del MENÚ .....	22
Menú CTRL IMAGEN .....	23
Menú AJUS ENTRAD .....	24
Menú AJUSTE .....	26
Menú AJUSTE INST .....	27

---

## **Mantenimiento**

Mantenimiento .....	28
Sustitución de la lámpara .....	28
Limpieza del filtro de aire .....	29
Solución de problemas .....	30
Mensajes de aviso .....	32
Mensajes de precaución .....	32

---

## **Otros**

Notas sobre la instalación .....	33
Instalación inadecuada .....	33
Condiciones inadecuadas .....	34
Especificaciones .....	34
Índice .....	39

ES

---

## Precauciones

---

### Seguridad

- Compruebe que la tensión de funcionamiento de la unidad sea la misma que la del suministro eléctrico local.
- Si se introduce algún objeto sólido o líquido en la unidad, desenchúfela y haga que sea revisada por personal especializado antes de volver a utilizarla.
- Desenchufe la unidad de la toma mural cuando no vaya a utilizarla durante varios días.
- Para desconectar el cable, tire del enchufe. Nunca tire del propio cable.
- La toma mural debe encontrarse cerca de la unidad y ser de fácil acceso.
- La unidad no estará desconectada de la fuente de alimentación de CA (toma de corriente) mientras esté conectada a la toma mural, aunque haya apagado la unidad.
- No mire al objetivo mientras la lámpara esté encendida.
- No coloque la mano ni ningún objeto cerca de los orificios de ventilación, ya que el aire que sale es caliente.
- Tenga cuidado de no pillarse los dedos con el ajustador cuando ajuste la altura del proyector. No ejerza una presión excesiva sobre la parte superior del proyector cuando el ajustador esté fuera.

---

### Iluminación

- Con el fin de obtener imágenes con la mejor calidad posible, la parte frontal de la pantalla no debe estar expuesta a la luz solar ni a iluminaciones directas.
- Se recomienda utilizar una luz proyectora en el techo. Cubra las lámparas fluorescentes para evitar que se produzca una disminución en la relación de contraste.
- Cubra con tela opaca las ventanas que estén orientadas hacia la pantalla.
- Es recomendable instalar el proyector en una sala cuyo suelo y paredes no estén hechas con materiales que reflejen la luz. Si el suelo y las paredes están hechas de dicho tipo de material, se recomienda cambiar el color de éstos por uno oscuro.

---

### Prevención del calentamiento interno

Después de desactivar la alimentación con la tecla I / ⏻, no desconecte la unidad de la toma mural mientras el ventilador de refrigeración esté en funcionamiento.

### Precaución

El proyector está equipado con orificios de ventilación de aspiración y de escape. No bloquee dichos orificios ni coloque nada cerca de ellos, ya que si lo hace puede producirse un recalentamiento interno, causando el deterioro de la imagen o daños al proyector.

---

### Limpieza

- Para mantener el exterior de la unidad como nuevo, límpielo periódicamente con un paño suave. Las manchas persistentes pueden eliminarse con un paño ligeramente humedecido en una solución detergente suave. No utilice nunca disolventes concentrados, como diluyente, bencina o limpiadores abrasivos, ya que dañarán el exterior.
- Evite tocar el objetivo. Utilice un paño seco y suave para eliminar el polvo del objetivo. No utilice un paño húmedo, soluciones detergentes ni diluyentes.
- Limpie el filtro con regularidad.

---

### Embalaje

- Guarde la caja y los materiales de embalaje originales, ya que resultarán útiles cuando tenga que embalar la unidad. Para obtener una máxima protección, vuelva a embalar la unidad como se embaló originalmente en fábrica.

---

### Proyector LCD

- El proyector LCD está fabricado con tecnología de alta precisión. No obstante, es posible que se observen pequeños puntos negros o brillantes (rojos, azules o verdes), o ambos, de forma continua en el proyector. Se trata de un resultado normal del proceso de fabricación y no indica fallo de funcionamiento.

# Características

## Fácil transporte

- **Ligero, de tamaño reducido y diseño sencillo**

El peso de este proyector se ha reducido hasta unos 2,4 kg (5 libras 5 onzas) y el tamaño se ha equiparado al de un archivo B5.

Cuando la cubierta frontal (que dispone de funciones de control) está cerrada, el diseño del proyector es muy sencillo.

Es posible transportarlo junto con su ordenador con facilidad.

## Funcionamiento silencioso

Gracias al mecanismo de refrigeración exclusivo de Sony que utiliza el proyector, el funcionamiento resulta muy silencioso.

## Brillo elevado y gran calidad de imagen

- **Brillo elevado**

Gracias a la incorporación del sistema óptico de alto rendimiento y de la lámpara UHP de 120 W, se obtiene un brillo elevado (salida de luz de 700 ANSI lumen) y una excelente uniformidad en la imagen.

- **Alta resolución**

Los tres paneles SVGA de unos 480.000 píxeles y de 0,7 pulgadas proporcionan una resolución de 800 × 600 puntos para la entrada RVA y 600 líneas de TV horizontales para la entrada de vídeo.

## Presentación sencilla

- **Configuración sencilla con equipos externos**

Este proyector está predefinido para 25 tipos de señales de entrada. Es posible proyectar imágenes desde una fuente de señales externa mediante la conexión del equipo con el cable suministrado y pulsando la tecla APA.

- **Mando a distancia sencillo**

El mando a distancia está equipado con diversas teclas muy útiles, incluyendo la tecla D ZOOM para ampliar la imagen hacia una panorámica de detalle, la tecla

FREEZE para congelar la imagen proyectada aun cuando el equipo está desconectado, y la tecla D KEYSTONE para corregir la distorsión trapezoidal de la imagen.

## Admisión de distintas señales de entrada

- **Convertidor de exploración incorporado**

Este proyector dispone de un convertidor de exploración incorporado que convierte la señal de entrada a 800 × 600 puntos.

- **Señales de entrada compatibles**

Este proyector admite señales de vídeo compuestas, S vídeo y de componente, así como VGA, SVGA y XGA, pudiendo mostrar todas ellas.

- **Compatible con seis sistemas de color**

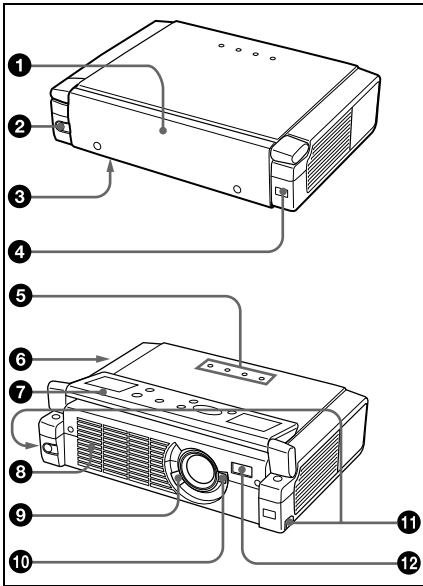
Es posible seleccionar de forma automática o manual el sistema de color NTSC, PAL, SECAM, NTSC<sup>1)</sup><sub>4.43</sub>, PAL-M o PAL-N.

1)NTSC<sub>4.43</sub> es el sistema de color utilizado para reproducir vídeos grabados en NTSC en una videogradora de sistema NTSC<sub>4.43</sub>.

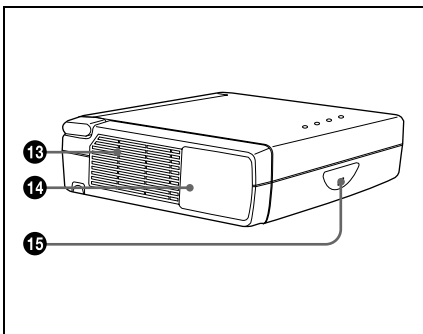
- Windows es una marca comercial registrada de Microsoft Corporation en Estados Unidos y/o en otros países.
- VGA, SVGA y XGA son marcas comerciales registradas de International Business Machines Corporation, EE.UU.
- Macintosh es una marca comercial registrada de Apple Computer, Inc.
- IBM PC/AT es una marca comercial registrada de International Business Machines Corporation, EE.UU.
- VESA es una marca comercial registrada de Video Electronics Standard Association.
- Display Data Channel (Canal de datos de visualización) es una marca comercial de Video Electronics Standard Association.
- PC-98 es una marca comercial de NEC Corporation.

# Ubicación y función de los controles

## Parte frontal/lateral/inferior



## Parte posterior/lateral izquierda



### 1 Cubierta frontal

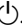
Pulse el botón OPEN para abrir la cubierta frontal.

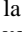
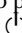
### 2 Botón OPEN

### 3 Cubierta de la lámpara (parte inferior)

### 4 Detector frontal de control remoto (receptor SIRCS)

### 5 Indicadores

- **LAMP/COVER:** Se ilumina o parpadea en las siguientes condiciones:
  - Se ilumina cuando la lámpara llega al final de su vida útil o cuando alcanza una temperatura alta.
  - Parpadea cuando la cubierta de la lámpara o la del filtro de aire no está fijada correctamente.
- **TEMP/FAN (Temperatura):** Se ilumina o parpadea en las siguientes condiciones:
  - Se ilumina cuando la temperatura del interior del proyector es inusualmente alta.
  - Parpadea cuando el ventilador está averiado.
- **POWER SAVING:** Se ilumina cuando el proyector se encuentra en el modo de ahorro de energía. Si AHORRO ENERGIA del menú AJUSTE está ajustado en SI, el proyector entrará en el modo de ahorro de energía si no se introduce ninguna señal durante 10 minutos. Aunque la lámpara se apague, el ventilador de refrigeración seguirá funcionando. En el modo de ahorro de energía, no funciona ninguna tecla durante los primeros 60 segundos. Dicho modo se cancelará al introducirse alguna señal o al pulsar cualquier tecla.
- **ON/STANDBY:** Se ilumina o parpadea en las siguientes condiciones:
  - Se ilumina en rojo al enchufar el cable de alimentación de CA en una toma mural. Una vez en el modo de espera, podrá encender el proyector con la tecla I / .

- Se ilumina en verde cuando la alimentación está activada.
- Parpadea en verde mientras el ventilador de refrigeración funciona tras desactivar la alimentación con la tecla I / . El ventilador funciona durante unos 90 segundos tras desactivar la alimentación. El indicador ON/STANDBY parpadea rápidamente durante los primeros 60 segundos. Durante este espacio de tiempo, el indicador ON/STANDBY no puede encenderse con la tecla I / .

*Para más información sobre los indicadores LAMP/COVER y FAN/TEMP, remítase a las páginas 31, 32.*

## 6 Bloqueo de seguridad (lateral derecho)

Se conecta a un cable opcional de seguridad (Kensington).

El bloqueo de seguridad corresponde al sistema de seguridad "MicroSaver<sup>®</sup>" de Kensington. Si necesita más información, póngase en contacto con

Kensington  
2855 Campus Drive, San Mateo,  
CA 94403

En Norteamérica  
Teléfono: 800-235-6708  
Fax: 800-247-1317

Fuera de Norteamérica  
Teléfono: 847-541-9500

Dirección en Internet:  
<http://www.kensington.com/>

## 7 Panel de control

*Para más información, remítase a "Panel de control" en la página 9.*

## 8 Orificios de ventilación (de escape)

## 9 Palanca de enfoque

Ajusta el enfoque de la imagen.

## 10 Palanca del zoom

Ajusta el tamaño de la imagen.

## 11 Botones de regulación del ajustador

*Para más información, remítase a "Cómo utilizar el ajustador" en la página 8.*

## 12 Clavija AC IN

Conecta el cable de alimentación de CA suministrado.

## 13 Orificios de ventilación (de aspiración)/cubierta del filtro de aire

### Notas

- No coloque nada cerca de los orificios de ventilación, ya que puede producirse un recalentamiento interno.
- No coloque la mano ni ningún objeto cerca de los orificios de ventilación, ya que el aire que sale puede producir recalentamiento.
- Para mantener un rendimiento óptimo, **limpie el filtro de aire cada 300 horas.**

## 14 Panel de conectores

*Para más información, remítase a "Panel de conectores" en la página 9.*

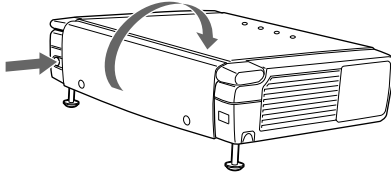
## 15 Detector posterior de control remoto (receptor SIRCS)

## Apertura/Cierre de la cubierta frontal

### Para abrir la cubierta frontal

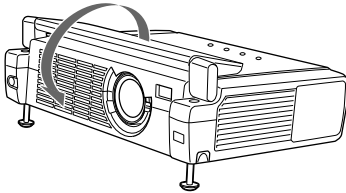
Pulse el botón OPEN.

La cubierta frontal se abre y se coloca sobre el panel superior del proyector.



### Para cerrar la cubierta frontal

Cierre la cubierta frontal con la mano.



### Nota

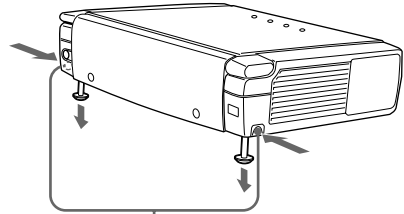
No incline el proyector más allá del margen de regulación del ajustador cuando abra la cubierta frontal. Si se inclina el proyector demasiado, la cubierta frontal se abrirá con demasiada lentitud o rapidez.

## Cómo utilizar el ajustador

### Para ajustar la altura

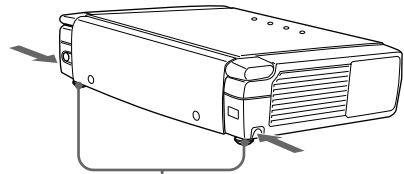
Ajuste la altura del proyector de la siguiente forma:

- 1 Levante el proyector y pulse los botones de regulación del ajustador. Los ajustadores se extenderán desde el proyector.



Botones de regulación del ajustador

- 2 Baje el proyector mientras pulsa los botones. A continuación, deje de pulsar los botones. Para un ajuste de precisión, gire los ajustadores a la derecha y a la izquierda.



Para bajar el proyector

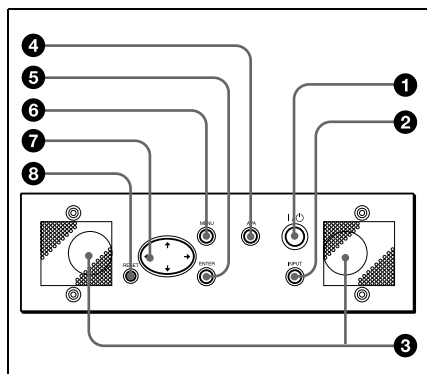
Para subir el proyector

### Notas

- Tenga cuidado de no dejar caer el proyector sobre los dedos.
- No ejerza una presión excesiva sobre la parte superior del proyector cuando los ajustadores estén fuera. Se pueden producir fallos de funcionamiento.

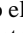


## Panel de control



### 1 Tecla I / (encendido/espera)

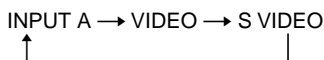
Enciende y apaga el proyector cuando éste se encuentra en el modo de espera. El indicador ON/STANDBY se iluminará en verde al activar la alimentación.

Para desactivar la alimentación, pulse la tecla I /  dos veces siguiendo el mensaje en pantalla, o pulse y mantenga pulsada la tecla durante un segundo aproximadamente.

*Para más información sobre los pasos para desactivar la alimentación, remítase a "Para desactivar la alimentación" en la página 20.*

### 2 Tecla INPUT

Selecciona la señal de entrada. Cada vez que pulse la tecla, la señal de entrada cambiará de la siguiente forma:



### 3 Altavoces

### 4 Tecla APA (Alineación automática de píxeles)

Permite obtener la imagen más nítida posible de forma automática al introducir una señal de un ordenador.

### 5 Tecla ENTER

Introduce los ajustes de los elementos del sistema de menú.

### 6 Tecla MENU

Muestra el menú en pantalla. Vuelva a pulsarla para que el menú desaparezca.

### 7 Tecla de flecha (↑/↓/←/→)

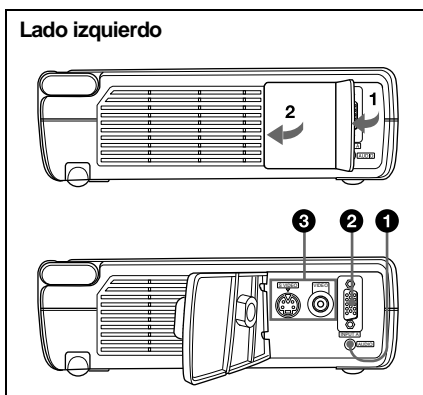
Selecciona el menú o permite realizar diversos ajustes.

### 8 Tecla RESET

Permite recuperar el valor ajustado en fábrica de los elementos. Esta tecla funciona cuando el menú o un elemento de ajuste se encuentra en pantalla.

## Panel de conectores

### Lado izquierdo



### 1 Conector AUDIO (minitoma estéreo)

Cuando escuche el sonido de salida del ordenador, conéctelo a la salida de audio de dicho ordenador.

Cuando escuche el sonido de salida de la videograbadora, conéctelo a la salida de audio de dicha videograbadora.

### 2 Conector INPUT A (HD D-sub de 15 terminales, hembra)

Conéctelo a un equipo externo, como un ordenador.

Se conecta a la salida de monitor de un ordenador mediante el cable suministrado. Cuando introduzca una señal de componente o RVA de 15k, utilice un cable opcional.

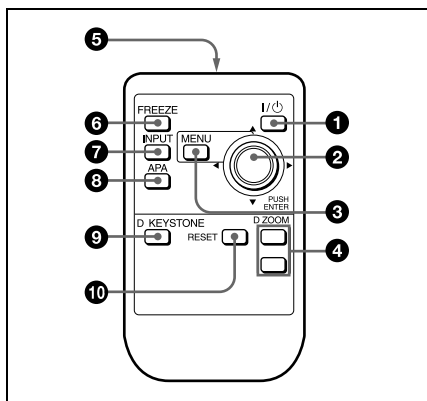
### 3 Conector de entrada de vídeo

Conéctelo a un equipo externo de vídeo, como una grabadora.

- **VIDEO (tipo fonográfico):** Se conecta a la salida de vídeo compuesta de un equipo de vídeo.
- **S VIDEO (mini DIN de 4 terminales):** Se conecta a la salida de S vídeo (salida de vídeo Y/C) de un equipo de vídeo.

## Mando a distancia

Las teclas que tienen los mismos nombres que las del panel de control funcionan de la misma forma.



#### 1 Tecla I / (símbolo de apagado)

#### 2 Tecla de flecha / ENTER (símbolo de flecha hacia arriba)

Pulse la parte central de la tecla para utilizar la función ENTER.

#### 3 Tecla MENU

#### 4 Tecla D ZOOM +/-

Aumenta la imagen en el lugar que se desee de la pantalla.

+: Si se pulsa la tecla + una vez, aparece el icono. Este icono indica el punto de la imagen que desea aumentar. Utilice la tecla de flecha (símbolo de flecha hacia arriba / símbolo de flecha hacia abajo / símbolo de flecha hacia la izquierda / símbolo de flecha hacia la derecha) para desplazar el icono hasta el punto que desea aumentar. Pulse la tecla + varias

veces para aumentar la imagen según sus preferencias.

-: Al pulsar la tecla -, se reduce la imagen que se había aumentado con la tecla D ZOOM +.

#### 5 Transmisor de infrarrojos

#### 6 Tecla FREEZE

Se utiliza para congelar la imagen proyectada. Para cancelar esta función, pulse de nuevo la tecla.

#### 7 Tecla INPUT

#### 8 Tecla APA (Alineación automática de píxeles)

#### 9 Tecla D KEYSTONE

Corrige la distorsión trapezoidal de la imagen. Utilice la tecla de flecha (símbolo de flecha hacia arriba / símbolo de flecha hacia abajo / símbolo de flecha hacia la izquierda / símbolo de flecha hacia la derecha) para ajustar el ángulo.

#### 10 Tecla RESET

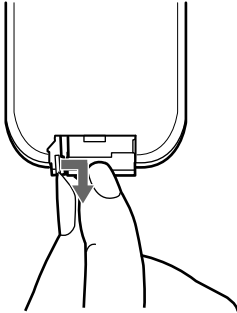
Permite recuperar el valor ajustado en fábrica de los elementos o el tamaño original de las imágenes ampliadas.

## Antes de utilizar el mando a distancia

Retire la película transparente del soporte de la pila de litio.

## Para sustituir la pila

- 1 Presione la lengüeta de bloqueo del soporte de la pila de litio para soltarla y extraiga el soporte del mando a distancia.



- 2 Coloque la pila de litio.



- 3 Vuelva a colocar el soporte de la pila de litio en el mando a distancia.

## Notas sobre las pilas de litio

- Mantenga las pilas de litio fuera del alcance de los niños.
- Si se ingiere una pila de forma accidental, acuda inmediatamente a un médico.

## PRECAUCIÓN

Existe el riesgo de que se produzca una explosión si se sustituye la pila de forma incorrecta. Sustituya la pila por una del mismo tipo o equivalente recomendada por el fabricante.

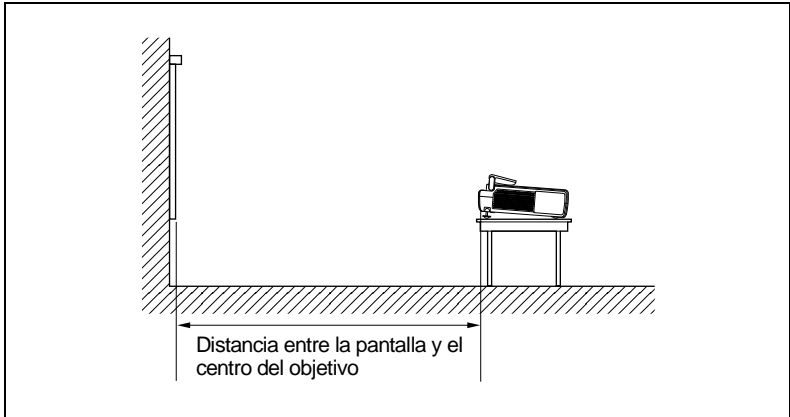
Deseche las pilas usadas siguiendo las instrucciones del fabricante.

## Notas sobre el empleo del mando a distancia

- Compruebe que nada obstruya el haz infrarrojo entre el mando a distancia y el detector de control remoto del proyector. Oriente el mando a distancia hacia el detector frontal o posterior de control remoto.
- El margen de funcionamiento es limitado. Cuanto menor sea la distancia entre el mando y el proyector, mayor será el ángulo de control del mando sobre el proyector.

# Instalación del proyector

En esta sección se describe cómo instalar el proyector.  
La distancia entre el objetivo y la pantalla varía en función del tamaño de ésta.  
Utilice la tabla siguiente como referencia.



Unidad: m (pies)

Tamaño de la pantalla (pulgadas)	40	60	80	100	120	150
Distancia mínima	1,6 (5,2)	2,4 (7,9)	3,2 (10,6)	4,0 (13,2)	4,9 (15,9)	6,1 (19,9)
Distancia máxima	1,8 (6,0)	2,8 (9,1)	3,7 (12,2)	4,7 (15,3)	5,6 (18,4)	7,0 (23,0)

**Nota**

No es posible instalar el proyector al revés, como por ejemplo en el techo.

# Conexión del proyector

**Cuando realice las conexiones, asegúrese de realizar lo siguiente:**

- Apague todos los equipos antes de realizar cualquier conexión.
- Utilice los cables apropiados para cada conexión.
- Introduzca los enchufes de los cables correctamente; si no se introducen por completo suelen producir ruido. Cuando desconecte un cable, asegúrese de tirar del enchufe, no del cable.

## Conexión a un ordenador

En esta sección se describe cómo conectar el proyector a un ordenador. Para más información, consulte el manual de instrucciones del ordenador.

### Notas

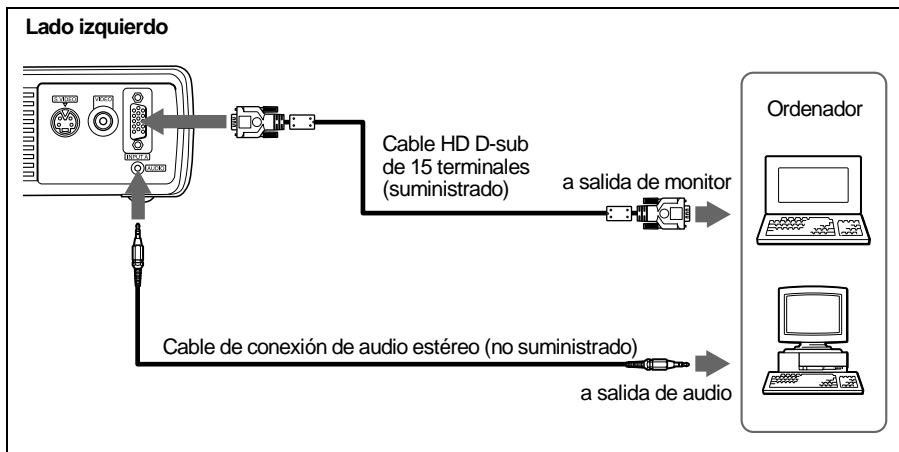
- El proyector admite señales VGA, SVGA y XGA. No obstante, le recomendamos que ajuste el modo de salida de su ordenador al modo SVGA para el monitor externo.
- Si ajusta el ordenador, por ejemplo de tipo portátil, para que envíe la señal a la pantalla del mismo y al monitor externo, es posible que la imagen de dicho monitor no se vea correctamente. Ajuste el ordenador para que envíe la señal solamente al monitor externo.

*Para más información, consulte el manual de instrucciones suministrado con el ordenador.*

- Este proyector es compatible con un DDC2B (Canal de datos digitales 2B). Si el ordenador es compatible con un DDC, encienda el proyector de acuerdo con las indicaciones siguientes.

- 1 Conecte el proyector al ordenador mediante el cable HD D-sub de 15 terminales suministrado.
- 2 Encienda el proyector.
- 3 Inicie el ordenador.

## Para conectar un ordenador compatible IBM PC/AT



## Para conectar un ordenador Macintosh

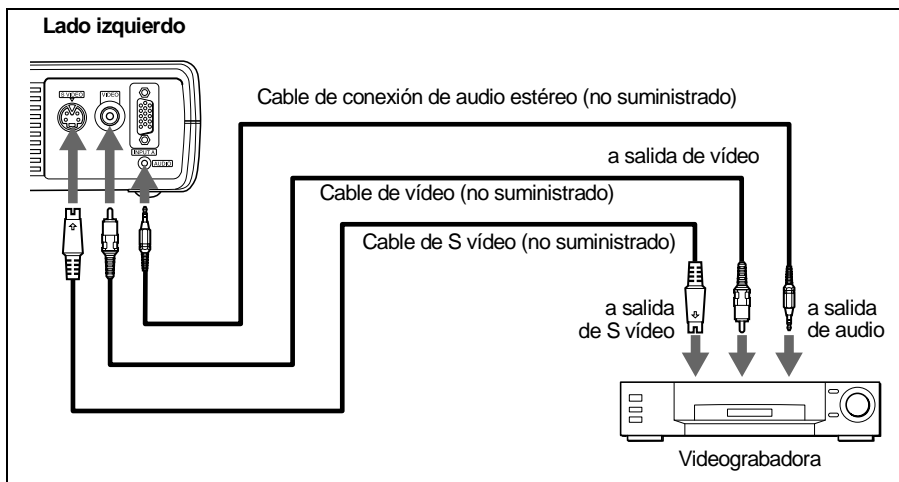
Utilice un adaptador de señales ADP-20 (no suministrado).

## Conexión a una videogradora o a un equipo RVA de 15k/ componente

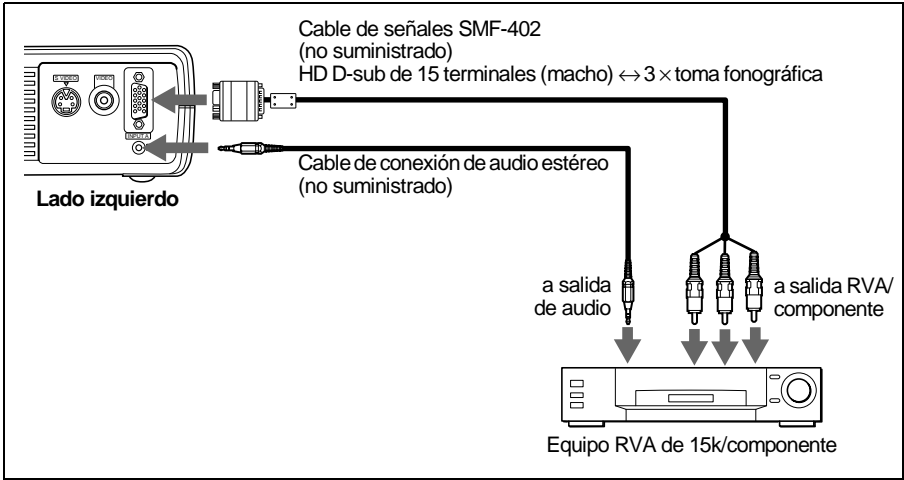
En esta sección se describe cómo conectar el proyector a una videogradora y a un equipo RVA de 15k/componente.

Para más información, consulte el manual de instrucciones del equipo que vaya a conectar.

## Para conectar una videogradora



## Para conectar un equipo RVA de 15k/componente

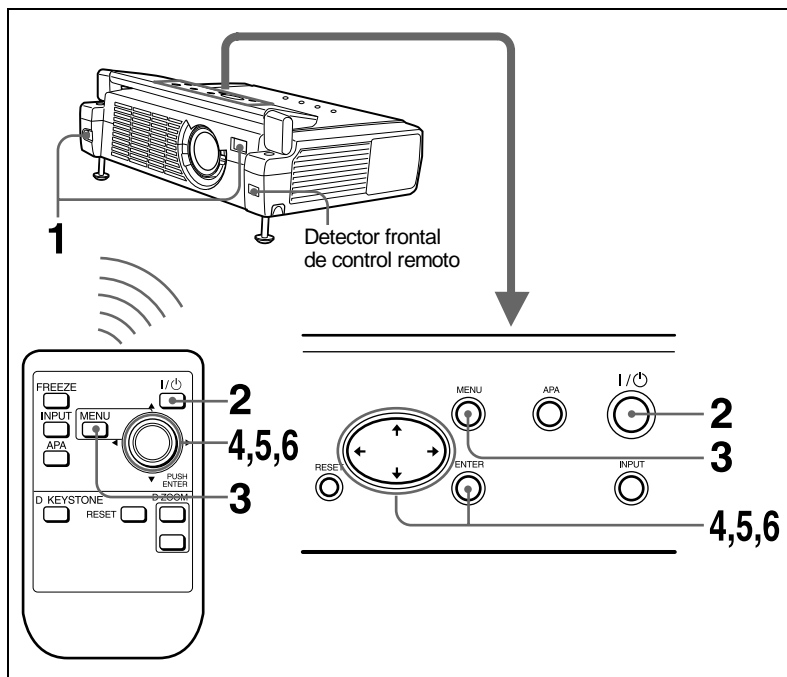


### Notas

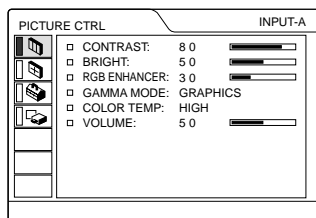
- Ajuste la relación de aspecto mediante ASPECTO del menú AJUS ENTRAD en función de la señal de entrada.
- Si conecta la unidad a un equipo RVA de 15k o de vídeo componente, seleccione RVA o componente con el ajuste ENTRAD A del menú AJUSTE.
- Utilice la señal de sincronización compuesta cuando introduzca la señal de sincronización externa del equipo RVA de 15k/componente.

# Selección del idioma del menú

Es posible seleccionar el idioma que se desee entre los siete existentes para el menú y demás indicaciones en pantalla. El ajuste de fábrica es el idioma inglés.

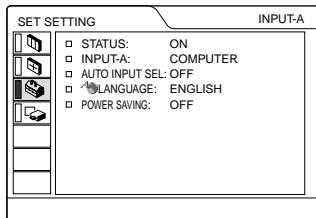


- 1** Abra la cubierta frontal y, a continuación, enchufe el cable de alimentación de CA en una toma mural.
- 2** Pulse la tecla I / ⏻ para encender el proyector.
- 3** Pulse la tecla MENU.  
Aparecerá el menú.  
El menú actualmente seleccionado se muestra como un botón amarillo.

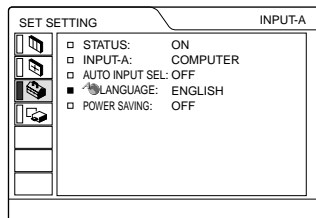




- 4 Pulse la tecla **↑** o **↓** para seleccionar el menú SET SETTING (AJUSTE) y, a continuación, pulse la tecla **→** o ENTER. Aparecerá el menú seleccionado.



- 5 Pulse la tecla **↑** o **↓** para seleccionar LANGUAGE (IDIOMA) y, a continuación, pulse la tecla **→** o ENTER.



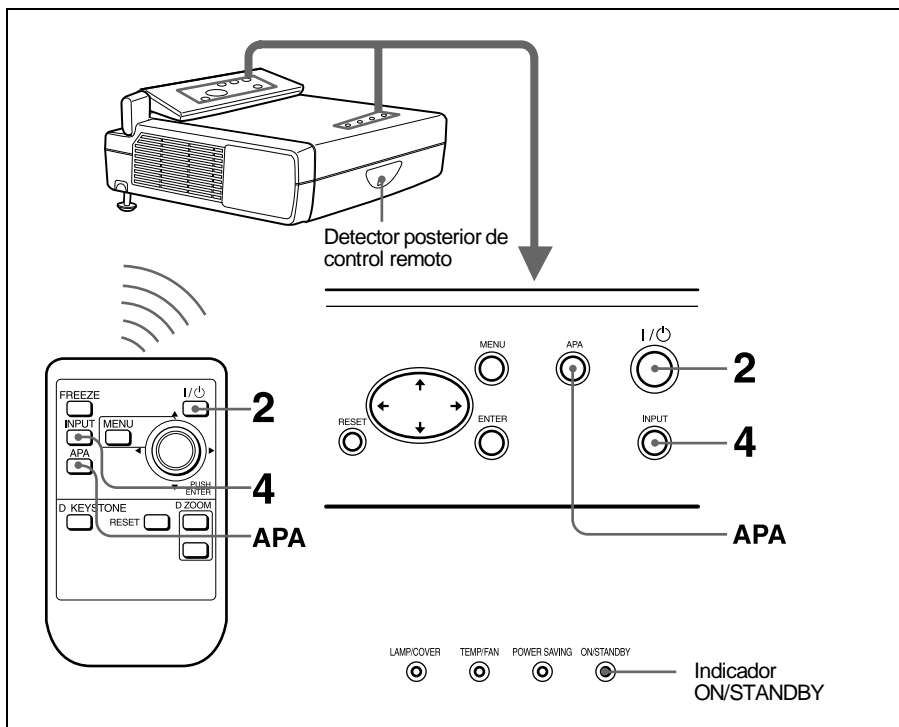
- 6 Pulse la tecla **↑** o **↓** para seleccionar un idioma y, a continuación, pulse la tecla **←** o ENTER. El menú aparecerá en el idioma seleccionado.

### Para que el menú desaparezca

Pulse la tecla MENU.

El menú desaparecerá automáticamente si no pulsa ninguna tecla durante un minuto.

# Proyección



- 1 Abra la cubierta frontal, enchufe el cable de alimentación de CA en una toma mural y, a continuación, conecte todos los equipos.  
El indicador ON/STANDBY se iluminará en rojo y el proyector entrará en el modo de espera.
- 2 Pulse la tecla I / ⏻.  
El indicador ON/STANDBY se iluminará en verde.
- 3 Encienda el equipo conectado al proyector.
- 4 Pulse la tecla INPUT para seleccionar la fuente de entrada.

Para introducir señales desde	Pulse INPUT para que aparezca
El ordenador enchufado al conector INPUT A.	ENTRAD A
El equipo de vídeo conectado al conector de entrada VIDEO .	VIDEO
El equipo de vídeo conectado al conector de entrada S VIDEO.	S VIDEO

**5** Gire la palanca del zoom para ajustar el tamaño de la imagen.

**6** Gire la palanca de enfoque para ajustar el enfoque.

### **Precaución**

Si mira al objetivo mientras se están proyectando imágenes, puede dañarse los ojos.

### **Para ajustar el volumen**

El volumen puede ajustarse en el menú en pantalla. Vea “VOLUMEN” en el menú CTRL IMAGEN página 24.

### **Para obtener imágenes con la mayor nitidez posible**

Es posible ajustar la calidad de imagen al proyectar una señal del ordenador.

**1** Projete una imagen fija del ordenador.



**2** Pulse la tecla APA.

“Completado.” aparecerá en la pantalla si la imagen está bien ajustada.

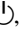
### **Notas**



- Pulse la tecla APA cuando aparezca la imagen completa en pantalla. Si hay bordes negros alrededor de la imagen, la función APA no se activará correctamente y la imagen podrá extenderse más allá de la pantalla.
- Si cambia la señal de entrada o vuelve a conectar un ordenador, pulse la tecla APA de nuevo para volver a ajustar la imagen.
- Es posible cancelar el ajuste pulsando la tecla APA de nuevo mientras “AJUSTANDO” se encuentra en pantalla.
- La imagen puede no ajustarse adecuadamente dependiendo del tipo de señal de entrada.
- Defina los elementos del menú AJUS ENTRAD cuando ajuste la imagen de forma manual.

## Para desactivar la alimentación


- 1 Pulse la tecla I / .  
“DESACTIVAR? Por favor, vuelva a pulsar I / .

### Nota

Los mensajes desaparecerán si pulsa cualquier tecla, excepto I / , o si no pulsa ninguna tecla durante cinco segundos.

- 2 Vuelva a pulsar la tecla I / .  
El indicador ON/STANDBY parpadeará en verde y el ventilador seguirá funcionando durante unos 90 segundos para reducir el calentamiento interno. Asimismo, el indicador ON/STANDBY parpadeará rápidamente durante los primeros 60 segundos. Durante este espacio de tiempo, no podrá encender el indicador ON/STANDBY con la tecla I / .
- 3 Desenchufe el cable de alimentación de CA de la toma mural cuando el ventilador deje de funcionar y el indicador ON/STANDBY se ilumine en rojo.

### Si no puede confirmar el mensaje en pantalla

Si no puede confirmar el mensaje en pantalla en una determinada situación, puede desactivar la alimentación manteniendo pulsada la tecla I /  durante un segundo aproximadamente.

### Nota

No desenchufe el cable de alimentación de CA mientras el ventilador esté en funcionamiento; si lo hace, éste se detendrá aunque el calentamiento interno sea aún alto, lo que podría hacer que el proyector se averíase.

### Filtro de aire

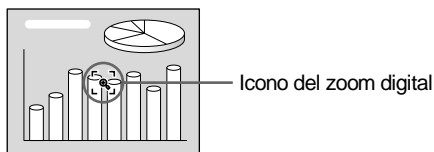
Para mantener un rendimiento óptimo, **limpie el filtro de aire cada 300 horas.**

## Herramientas efectivas para las presentaciones

### Para aumentar la imagen (Función de zoom digital)

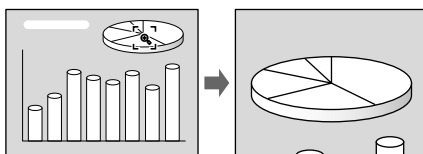
Puede seleccionar un punto de la imagen que desee ampliar. Esta función sólo está operativa cuando se introduce una señal de entrada de un ordenador.

- 1 Pulse la tecla D ZOOM + del mando a distancia.  
El icono del zoom digital aparecerá en el centro de la imagen.

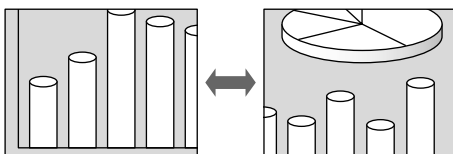


- 2 Desplace el icono hasta el punto de la imagen que desea aumentar. Utilice la tecla de flecha (↑/↓/←/→) para desplazar el icono.
- 3 Pulse de nuevo la tecla D ZOOM +.

La imagen sobre la que se sitúa el icono aumenta de tamaño. La relación de aumento se muestra en la pantalla durante unos pocos segundos. Al pulsar la tecla + varias veces, el tamaño de la imagen aumenta (relación de aumento: máx. 4 veces).



Utilice la tecla de flecha (↑/↓/←/→) para que la imagen aumentada se desplace.



### Para que la imagen recupere su tamaño original

Pulse la tecla D ZOOM -. Basta con pulsar la tecla RESET para que la imagen recupere su tamaño original de forma inmediata.

### Para congelar la imagen proyectada (función FREEZE)

Pulse la tecla FREEZE. "CONGELADO" aparece en la pantalla cuando se pulsa la tecla. Esta función sólo está operativa cuando se introduce una señal de entrada de un ordenador.

Para recuperar la pantalla original, pulse de nuevo la tecla FREEZE.

## Uso del MENÚ

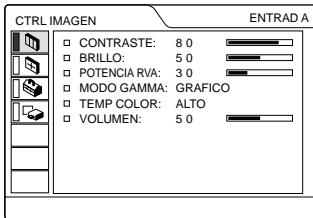
El proyector dispone de un menú en pantalla que permite realizar diversos ajustes. Puede cambiar el idioma del menú en pantalla.

*Para cambiar el idioma del menú, remítase a “Selección del idioma del menú” en la página 16.*

### 1 Pulse la tecla MENU.

Aparecerá el menú.

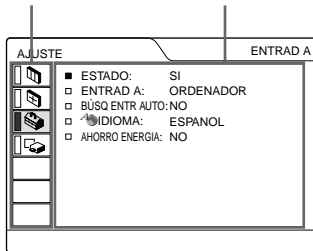
El menú actualmente seleccionado se muestra como un botón amarillo.



### 2 Utilice la tecla ↑ o ↓ para seleccionar un menú y, a continuación, pulse la tecla → o ENTER.

Aparecerá el menú seleccionado.

Menús                      Elementos de ajuste



### 3 Seleccione un elemento.

Utilice la tecla ↑ o ↓ para seleccionar el elemento y, a continuación, pulse la tecla → o ENTER.

### 4 Realice los ajustes en el elemento.

- Al cambiar el nivel de ajuste:  
Pulse la tecla ↑ o → para que el número aumente.  
Pulse la tecla ↓ o ← para que el número disminuya.  
Pulse la tecla ENTER para recuperar la pantalla original.
- Al cambiar el ajuste:  
Pulse la tecla ↑ o ↓ para cambiar el ajuste.  
Pulse la tecla ENTER o ← para recuperar la pantalla original.

### Para que el menú desaparezca

Pulse la tecla MENU.

El menú desaparecerá automáticamente si no pulsa ninguna tecla durante un minuto.

### Para reajustar elementos ajustados

Pulse la tecla RESET.

“Completado.” aparecerá en pantalla y los ajustes mostrados en ésta recuperarán los valores de fábrica.

Los elementos que pueden reajustarse son los siguientes:

- “CONTRASTE”, “BRILLO”, “COLOR”, “TONALIDAD”, “NITIDEZ” y “POTENCIA RVA” del menú CTRL IMAGEN.
- “FASE PUNTO”, “TAMANO H” y “DESPLAZ” del menú AJUS ENTRAD.
- “DIST TRAP DIG” del menú AJUSTE INST.

### Acerca de la memoria de los ajustes

Los ajustes se almacenan de forma automática en la memoria del proyector.

### Si no se introduce ninguna señal

Si no se introduce ninguna señal, la pantalla mostrará “SIN ENTRADA–Imposible ajustar este parámetro.”.

### Acerca de la pantalla de menú

Puede ajustar la posición de la pantalla del menú, la intensidad de la imagen de fondo y el tono de los elementos del menú como desee.

*Para más información, remítase a la página 27.*

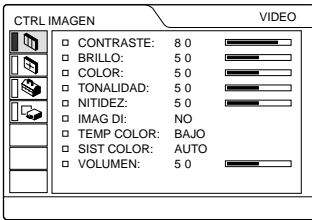
# Menú CTRL IMAGEN

El menú CTRL (control) IMAGEN se utiliza para ajustar la imagen.

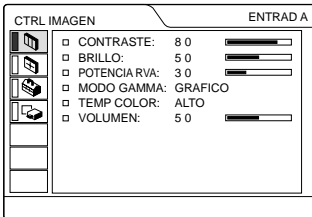
Los elementos que no pueden ajustarse dependiendo de la señal de entrada no aparecen en el menú.

*Para más información sobre los elementos que no pueden ajustarse, remítase a la página 36.*

## Si se introduce la señal de vídeo



## Si se introduce la señal RVA



## Elementos de menú

### CONTRASTE

Ajusta el contraste de la imagen. Cuanto mayor sea el ajuste, mayor será el contraste. Cuanto menor sea el ajuste, menor será el contraste.

### BRILLO

Ajusta el brillo de la imagen. Cuanto mayor sea el ajuste, mayor será el brillo de la imagen. Cuanto menor sea el ajuste, menor será el brillo de la imagen.

### COLOR

Ajusta la intensidad del color. Cuanto mayor sea el ajuste, mayor será la intensidad. Cuanto menor sea el ajuste, menor será la intensidad.

### TONALIDAD

Ajusta los tonos del color. Cuanto mayor sea el ajuste, la imagen adquirirá un tono más verdoso. Cuanto menor sea el ajuste, la imagen adquirirá un tono más púrpura.

### NITIDEZ

Ajusta la nitidez de la imagen. Cuanto mayor sea el ajuste, mayor será la nitidez de la imagen. Cuanto menor sea el ajuste, la imagen aparecerá con mayor suavidad.

### POTENCIA RVA

Ajusta la nitidez de la imagen cuando se introducen señales RVA. Cuanto mayor sea el ajuste, mayor será la nitidez de la imagen. Cuanto menor sea el ajuste, la imagen aparecerá con mayor suavidad.

### IMAG DI (Dinámica)

Enfatiza el color negro.

**SI:** Enfatiza el color negro para producir imágenes “dinámicas” más marcadas.

**NO:** Reproduce las partes oscuras de la imagen con precisión, de acuerdo con la señal fuente.

### MODO GAMMA

Selecciona una curva de corrección gamma.

**GRAFICO:** Mejora la reproducción de los medios tonos. Las fotografías pueden reproducirse con tonos naturales.

**TEXTO:** Contrasta el blanco y el negro.

Adecuado para imágenes que contienen mucho texto.

---

## TEMP COLOR

Ajusta la temperatura del color.

**ALTO:** El color blanco adquiere un tono azulado.

**BAJO:** El color blanco adquiere un tono rojizo.

---

## SIST (Sistema) COLOR

Selección el sistema de color de la señal de entrada.

- **AUTO:** NTSC<sub>3.58</sub>, PAL, SECAM y NTSC<sub>4.43</sub> (conmutación automática)
- **PAL-M/N:** PAL-M/PAL-N y NTSC<sub>3.58</sub> (conmutación automática)

Normalmente, ajústelo en AUTO. Si la imagen se distorsiona o aparece sin color, seleccione el sistema de color de acuerdo con la señal de entrada.

---

## VOLUMEN

Ajusta el volumen. El volumen puede ajustarse para cada una de las entradas ENTRADA A, VIDEO y S VIDEO.

---

---

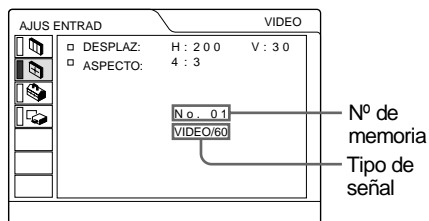
# Menú AJUS ENTRAD

El menú AJUS ENTRAD se utiliza para ajustar la señal de entrada.

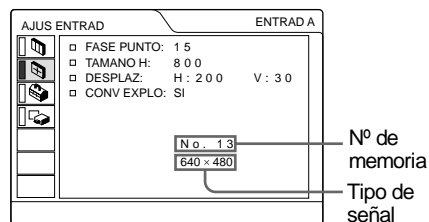
Los elementos que no pueden ajustarse dependiendo de la señal de entrada no aparecen en el menú.

*Para más información sobre los elementos que no pueden ajustarse, remítase a la página 36.*

### Si se introduce la señal de vídeo



### Si se introduce la señal RVA



---

## Elementos de MENU

---

### FASE PUNTO

Ajusta la fase de puntos del panel LCD y la señal de entrada del conector INPUT A.

Una vez ajustada la imagen, puede ajustarla con mayor precisión pulsando la tecla APA. Ajuste la imagen en la posición en la que aparezca con mayor nitidez.

---

### TAMANO H

Ajusta el tamaño horizontal de la imagen introducida mediante el conector INPUT A. Cuando más alto sea el ajuste, mayor será el



tamaño horizontal de la imagen. Cuando más bajo sea el ajuste, menor será el tamaño horizontal de la imagen. Ajuste el valor en función de los puntos de la señal de entrada.

*Para más información sobre el valor adecuado para las señales predefinidas, remítase a la página 37.*

---

## DESPLAZ

Ajusta la posición de la imagen introducida mediante el conector INPUT A. H ajusta la posición horizontal de la imagen. V ajusta la posición vertical de la imagen. Al aumentar el ajuste de H, la imagen se desplazará a la derecha, y al disminuirla, se desplazará a la izquierda.

Al aumentar el ajuste de V, la imagen se desplazará hacia arriba, y al disminuirla, se desplazará hacia abajo. Emplee la tecla ◀ o ▶, para ajustar la posición horizontal y la tecla ↑ y ↓ para la posición vertical.

---

## CONV EXPLO (Convertidor de exploración)

Convierte la señal para mostrar la imagen en función del tamaño de la pantalla.

**SI:** Muestra la imagen de acuerdo con el tamaño de la pantalla. La imagen perderá cierta claridad.

**NO:** Muestra la imagen mientras hace coincidir un píxel de elemento de imagen de entrada con el del LCD. La imagen será nítida aunque su tamaño será menor.

### Nota

Cuando se introduce la señal SVGA o XGA, no aparece el elemento.

---

## ASPECTO

Ajusta la relación de aspecto de la imagen. Si introduce la señal 16:9 (comprimida) desde un equipo como un reproductor de DVD, establezca el ajuste en 16:9.

**4:3:** Si se introduce la imagen con la relación 4:3.

**16:9:** Si se introduce la imagen con la relación 16:9 (comprimida).

## Acerca del nº de memoria predefinida

Este proyector dispone de 25 tipos de datos predefinidos para señales de entrada (memoria predefinida). Al introducirse una señal predefinida, el proyector detecta automáticamente el tipo de señal y recupera los datos correspondientes a la misma de la memoria predefinida con el fin de ajustarla y obtener una imagen óptima. El número de memoria y el tipo de señal de esa señal aparecen en el menú AJUS ENTRAD.

También es posible ajustar los datos predefinidos mediante el menú AJUS ENTRAD.

Este proyector dispone de 20 tipos de memorias de usuario para ENTRAD A en las que es posible guardar el ajuste de los datos definidos para una señal de entrada no predefinida.

Si se introduce una señal no predefinida por primera vez, aparecerá un número de memoria (0). Cuando ajuste los datos de la señal en el menú AJUS ENTRAD, se registrarán en el proyector. Si se registran más de 20 memorias de usuario, la memoria más reciente sobrescribirá siempre la más antigua.

*Consulte la tabla de la página 37 para averiguar si la señal está registrada en la memoria predefinida.*

Puesto que los datos de las siguientes señales se recuperan de la memoria predefinida, puede emplear estos datos predefinidos ajustando TAMANO H. Realice ajustes de mayor precisión con DESPLAZ.

Señal	Nº de memoria	TAMANO
Super Mac-2	23	1312
SGI-1	23	1320
Macintosh 19"	25	1328

### Nota

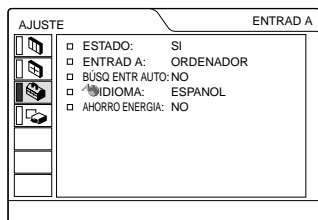
Si la relación de aspecto de la señal de entrada no es 4:3, parte de la pantalla aparecerá en negro.

Realización de ajustes con el menú

---

# Menú AJUSTE

El menú AJUSTE se utiliza para cambiar los valores de ajuste del proyector.



## Elementos de menú

---

### ESTADO (indicación en pantalla)

Ajusta la indicación en pantalla.

**SI:** Muestra todas las indicaciones en pantalla.

**NO:** Desactiva las indicaciones en pantalla, excepto los menús, el mensaje que aparece al desconectar la alimentación y los mensajes de aviso.

---

### ENTRAD A

Selecciona la señal RVA de vídeo, de ordenador o de componente introducida mediante el conector INPUT A.

#### Nota

Si el ajuste no es correcto, la pantalla mostrará “Compruebe ajuste ENTRAD A.” y el color de la imagen será extraño o ésta no aparecerá.

---

### BÚSQ ENTR AUTO

Cuando se ajusta en SI, el proyector detecta las señales de entrada en el orden siguiente: INPUT A/VIDEO/S VIDEO. De esta forma se indica el canal de entrada cuando se activa la alimentación o cuando se pulsa la tecla INPUT.

---

### IDIOMA

Selecciona el idioma que se utiliza en el menú y en las indicaciones en pantalla. Los idiomas que están disponibles son inglés, francés, alemán, italiano, español, japonés y chino.

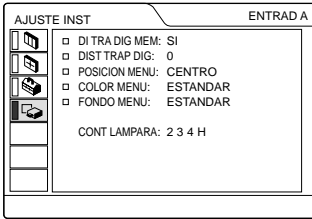
---

### AHORRO ENERGIA

Si se ajusta en SI, el proyector entrará en el modo de ahorro de energía si no se introduce ninguna señal durante 10 minutos.

# Menú AJUSTE INST

El menú AJUSTE INST se utiliza para cambiar los valores de ajuste del proyector.



## Elementos de menú


### DI TRA DIG MEM

**SI:** El ajuste de DIST TRAP DIG queda almacenado. Los datos se recuperan cuando se conecta el proyector. El ajuste permanecerá igual cada vez que se conecte.

**NO:** DIST TRAP DIG se reajusta al valor 0 cuando se activa la alimentación por siguiente vez.

### DIST TRAP DIG

Corrige la distorsión trapezoidal causada por el ángulo de proyección.

**Si la parte superior del trapecoide es más larga que la inferior**  : Se ajusta en un valor más.

### POSICION MENU

Selecciona la posición de la pantalla del menú de IZQ SUP, IZQ INF, CENTRO, DER SUP y DER INF.

### COLOR MENU

Selecciona el tono de la pantalla del menú entre ESTANDAR, CALIDO, FRIO, VERDE o GRIS.

### FONDO MENU

Selecciona la intensidad de la imagen de fondo de la pantalla del menú entre OSCURO, ESTANDAR o LUMINOSO.

### CONTADOR LAMPARA

Indica cuánto tiempo ha estado encendida la lámpara.

#### Nota

Sólo muestra el tiempo. No puede modificar esta pantalla.

# Mantenimiento

## Sustitución de la lámpara

Cuando la lámpara se funde, pierde brillo, o aparece en la pantalla el mensaje “Por favor cambie la lámpara”, sustituya la lámpara. Para la sustitución, utilice la lámpara de proyector LMP-C121. La vida útil de la lámpara varía según las condiciones de uso.

### Sustitución de la lámpara después de utilizar el proyector

Apague el proyector y desenchufe el cable de alimentación.

Espere al menos una hora hasta que la lámpara se enfríe.

#### Precaución

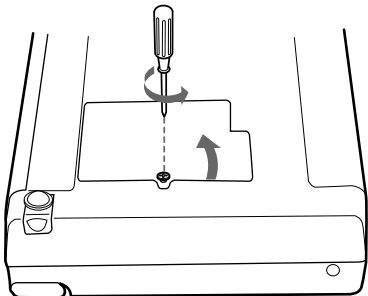
La temperatura de la lámpara será alta después de apagar el proyector con la tecla I / ⏻. Si toca la lámpara, es posible que se queme el dedo. Antes de sustituir la lámpara, espere al menos una hora hasta que se enfríe.

- 1 Coloque una hoja (pañó) de protección debajo del proyector. Dé la vuelta al proyector de forma que vea su parte inferior.

#### Nota

Asegúrese de que el proyector se encuentra en una posición estable después de haberle dado la vuelta.

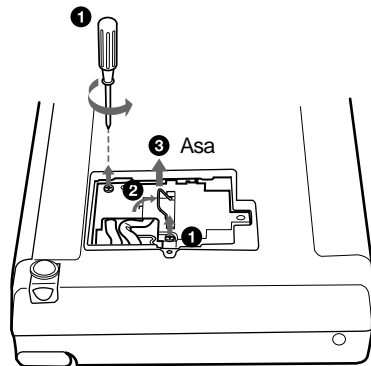
- 2 Abra la cubierta de la lámpara. Para ello, afloje un tornillo con el destornillador Phillips (suministrado con la lámpara).



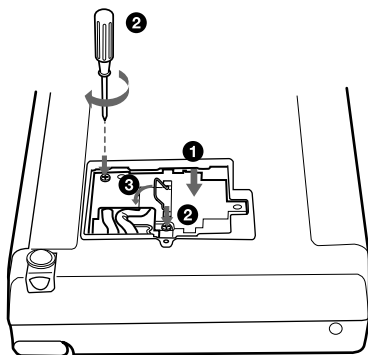
#### Nota

Para mayor seguridad, no afloje más tornillos.

- 3 Afloje los tornillos de la unidad de lámpara con el destornillador Phillips. Tire de la lámpara hacia fuera utilizando el asa.



- 4 Introduzca por completo la lámpara nueva hasta que quede encajada en su sitio. Apriete los tornillos. Pliegue el asa hacia arriba.



#### Notas

- Tenga cuidado de no tocar la superficie de cristal de la lámpara.
- La alimentación no se activará si la lámpara no está bien instalada.

- 5 Cierre la cubierta de la lámpara y apriete los tornillos.

**6** Vuelva a darle la vuelta al proyector.

**7** Conecte el cable de alimentación y ajuste el proyector en el modo de espera.

**8** Pulse las siguientes teclas del panel de control en el orden indicado durante menos de cinco segundos cada una: RESET, ←, →, ENTER.

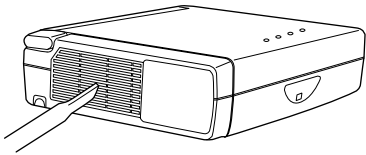
#### Notas

- Asegúrese de utilizar la lámpara de proyector LMP-C121 para la sustitución. Si utiliza otras lámparas que no sean LMP-C121, el proyector puede provocar fallos de funcionamiento.
- Compruebe que apaga el proyector y desenchufa el cable de alimentación antes de sustituir la lámpara.
- Con el fin de evitar descargas eléctricas o incendios, no introduzca las manos en el compartimento de sustitución de la lámpara, ni permita que se introduzcan líquidos ni objetos.

### Limpieza del filtro de aire

El filtro de aire debe limpiarse cada 300 horas.

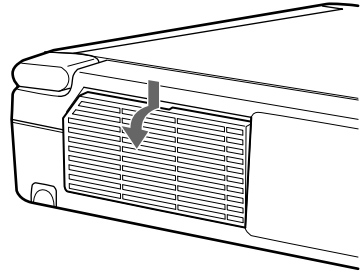
Elimine el polvo de la parte exterior de los orificios de ventilación con un aspirador.



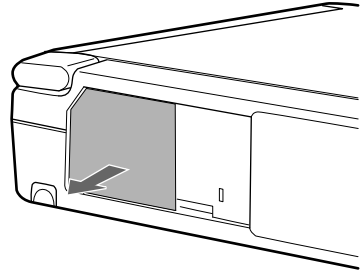
Si resulta difícil retirar el polvo del filtro con un aspirador, desmonte el filtro de aire y lávelo.

**1** Desactive la alimentación y desenchufe el cable de alimentación.

**2** Extraiga la cubierta del filtro de aire.



**3** Extraiga el filtro de aire.



**4** Lave el filtro de aire con una solución detergente suave y déjelo secar a la sombra.

**5** Fije el filtro de aire y vuelva a colocar la cubierta.


#### Notas

- Si no es posible eliminar el polvo del filtro de aire, sustitúyalo por el nuevo suministrado.
- Asegúrese de fijar bien la cubierta del filtro de aire; la alimentación no se activará si no está bien cerrada.
- El filtro de aire tiene una cara frontal y otra inversa. Colóquelo de forma que encaje en una hendidura de la cubierta del mismo.

# Solución de problemas

Si el proyector parece no funcionar correctamente, intente diagnosticar y corregir el problema utilizando las siguientes instrucciones. Si el problema no se soluciona, consulte con personal Sony especializado.

## Alimentación

Problema	Causa y solución
La alimentación no se activa.	<ul style="list-style-type: none"><li>• La alimentación se ha desactivado y activado de nuevo con la tecla I /  en un corto intervalo. → Espere unos 90 segundos antes de activar la alimentación (remítase a la página 20).</li><li>• La cubierta de la lámpara no está fijada. → Cierre firmemente la cubierta de la lámpara (remítase a la página 28).</li><li>• La cubierta del filtro de aire no está fijada. → Cierre firmemente la cubierta del filtro de aire (remítase a la página 29).</li></ul>
Los indicadores LAMP/COVER y TEMP/FAN se iluminan.	<ul style="list-style-type: none"><li>• Se ha producido una avería en el sistema eléctrico. → Consulte con personal Sony especializado.</li></ul>

## Imagen

Problema	Causa y solución
No aparece la imagen.	<ul style="list-style-type: none"><li>• El cable está desconectado o las conexiones son incorrectas. → Compruebe que ha realizado las conexiones adecuadas (remítase a la página 13).</li><li>• La selección de entrada es incorrecta. → Seleccione la fuente de entrada correctamente con la tecla INPUT (remítase a la página 18).</li><li>• La señal del ordenador no está ajustada para enviarse a un monitor externo. → Ajuste la señal del ordenador para enviarse a un monitor externo (remítase a la página 13).</li><li>• La señal del ordenador está ajustada para enviarse al LCD del mismo y a un monitor externo. → Ajuste la señal del ordenador para enviarse solamente al monitor externo (remítase a la página 13).</li></ul>
La imagen aparece con ruido.	<ul style="list-style-type: none"><li>• Puede aparecer ruido de fondo en función de la combinación de los números de entrada de puntos del conector y de los números de píxeles del panel LCD. → Cambie el patrón del escritorio del ordenador conectado.</li></ul>
El color de la imagen del conector INPUT A es extraño.	<ul style="list-style-type: none"><li>• El ajuste de ENTRAD A del menú AJUSTE es incorrecto. → Seleccione ORDENADOR, VIDEO RVA o COMPONENTE para ENTRAD A en el menú AJUSTE en función de la señal de entrada (remítase a la página 26).</li></ul>
Aparece "Compruebe ajuste ENTRAD A." a pesar de introducir la señal correcta desde INPUT A.	<ul style="list-style-type: none"><li>• El ajuste de ENTRAD A del menú AJUSTE es incorrecto. → Seleccione ORDENADOR, VIDEO RVA o COMPONENTE para ENTRAD A en el menú AJUSTE en función de la señal de entrada (remítase a la página 26).</li></ul>

Problema	Causa y solución
La indicación en pantalla no aparece.	<ul style="list-style-type: none"> <li>• Ha ajustado ESTADO en el menú AJUSTE en NO.</li> <li>→ Ajuste ESTADO en el menú AJUSTE en SI (remítase a la página 26).</li> </ul>
El balance de color es incorrecto.	<ul style="list-style-type: none"> <li>• No ha ajustado correctamente la imagen.</li> <li>→ Ajuste la imagen (remítase a la página 23).</li> <li>• El proyector está ajustado en un sistema de color incorrecto.</li> <li>→ Defina SIST COLOR en el menú CTRL IMAGEN de acuerdo con el sistema de color de entrada (remítase a la página 24).</li> </ul>
La imagen es demasiado oscura.	<ul style="list-style-type: none"> <li>• El contraste o el brillo no se ha ajustado correctamente.</li> <li>→ Ajuste el contraste o el brillo en el menú CTRL IMAGEN correctamente (remítase a la página 23).</li> </ul>
La imagen no es nítida.	<ul style="list-style-type: none"> <li>• La imagen está desenfocada.</li> <li>→ Ajuste el enfoque (remítase a la página 19).</li> <li>• Se ha condensado humedad en el objetivo.</li> <li>→ Deje el proyector encendido durante unas dos horas.</li> </ul>
La imagen en pantalla aparece demasiado pequeña.	<ul style="list-style-type: none"> <li>• No ha ajustado correctamente DESPLAZ en el menú AJUS ENTRAD.</li> <li>→ Ajuste DESPLAZ en el menú AJUS ENTRAD correctamente (remítase a la página 25).</li> </ul>
La imagen parpadea.	<ul style="list-style-type: none"> <li>• No ha ajustado correctamente FASE PUNTO en el menú AJUS ENTRAD.</li> <li>→ Ajuste FASE PUNTO en el menú AJUS ENTRAD correctamente (remítase a página 24).</li> </ul>

## Sonido

Problema	Causa y solución
No se oye el sonido.	<ul style="list-style-type: none"> <li>• El cable está desconectado o las conexiones son incorrectas.</li> <li>→ Compruebe que ha realizado las conexiones adecuadas (remítase a la página 13).</li> </ul>
Cuando se produce la entrada de sonido mediante el conector AUDIO, el sonido se oye sólo por un canal.	<ul style="list-style-type: none"> <li>• Se produce la entrada de sonido monofónico a través del conector AUDIO.</li> <li>→ Introduzca sonido estéreo.</li> </ul>

## Mando a distancia

Problema	Causa y solución
El mando a distancia no funciona.	<ul style="list-style-type: none"> <li>• La pila del mando a distancia está agotada.</li> <li>→ Sustitúyala por una nueva (remítase a la página 11).</li> </ul>

## Otros

Problema	Causa y solución
El indicador LAMP/COVER parpadea.	<ul style="list-style-type: none"> <li>• La cubierta de la lámpara o la del filtro de aire no está fijada.</li> <li>→ Fije la cubierta correctamente (remítase a la página 28).</li> </ul>

Problema	Causa y solución
El indicador LAMP/COVER se ilumina.	<ul style="list-style-type: none"> <li>• La lámpara ha llegado al final de su vida útil. → Sustituya la lámpara (remítase a la página 28).</li> <li>• La lámpara se calienta en exceso. → Espere 90 segundos para que la lámpara se enfríe y vuelva a activar la alimentación (remítase a la página 20).</li> </ul>
El indicador TEMP/FAN parpadea.	<ul style="list-style-type: none"> <li>• El ventilador está averiado. → Consulte con personal Sony especializado.</li> </ul>
El indicador TEMP/FAN se ilumina.	<ul style="list-style-type: none"> <li>• La temperatura interna es inusualmente alta. → Compruebe que nada bloquea los orificios de ventilación.</li> </ul>
Los indicadores LAMP/COVER y TEMP/FAN se iluminan.	<ul style="list-style-type: none"> <li>• Se ha producido una avería en el sistema eléctrico. → Consulte con personal Sony especializado.</li> </ul>

## Mensajes de aviso

Utilice la siguiente lista para comprobar el significado de los mensajes que aparecen en pantalla.

Mensaje	Significado y solución
Temperatura alta! Apag. 1 min.	<ul style="list-style-type: none"> <li>• La temperatura interna es demasiado alta. → Desactive la alimentación. → Compruebe que nada bloquea los orificios de ventilación.</li> </ul>
Frecuencia fuera de rango!	<ul style="list-style-type: none"> <li>• Esta señal de entrada no puede proyectarse ya que la frecuencia se encuentra fuera del margen admisible del proyector. → Introduzca una señal que se encuentre dentro del margen de la frecuencia.</li> <li>• El ajuste de resolución de la señal de salida del ordenador es demasiado alto. → Establezca el ajuste de la señal de salida en SVGA (remítase a la página 13).</li> </ul>
Compruebe ajuste ENTRAD A.	<ul style="list-style-type: none"> <li>• Ha introducido la señal RVA del ordenador cuando ENTRAD A del menú AJUSTE está ajustada en COMPONENTE. → Ajuste ENTRAD A correctamente (remítase a la página 26).</li> </ul>
Por favor cambie la lámpara.	<ul style="list-style-type: none"> <li>• Es necesario sustituir la lámpara. → Sustituya la lámpara.</li> </ul>

## Mensajes de precaución

Utilice la siguiente lista para comprobar el significado de los mensajes que aparecen en pantalla.

Mensaje	Significado y solución
SIN ENTRADA	<ul style="list-style-type: none"> <li>• Ninguna señal de entrada → Compruebe las conexiones (remítase a la página 13).</li> </ul>
No aplicable!	<ul style="list-style-type: none"> <li>• Ha pulsado una tecla incorrecta. → Pulse la tecla apropiada.</li> </ul>

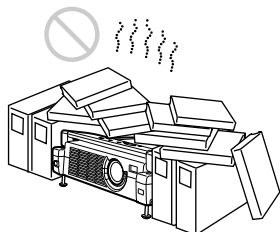


## Notas sobre la instalación

### Instalación inadecuada

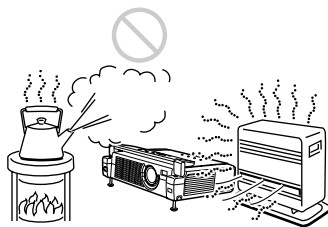
No instale el proyector en las siguientes situaciones. Estas instalaciones pueden producir fallos de funcionamiento o daños al proyector.

### Ventilación escasa



- Permita una circulación de aire adecuada para evitar el recalentamiento interno. No coloque la unidad sobre superficies (alfombras, mantas, etc.) ni cerca de materiales (cortinas, tapices) que puedan bloquear los orificios de ventilación. Si se produce un recalentamiento interno debido al bloqueo de los orificios, el sensor de temperatura se activará y aparecerá el mensaje "Temperatura alta! Apag. 1 min." La alimentación se desactivará automáticamente tras un minuto.
- Deje un espacio superior a 30 cm (11 7/8 pulgadas) alrededor de la unidad.
- Procure que no se introduzcan elementos extraños de tamaño reducido por los orificios de ventilación, como por ejemplo trozos de papel.

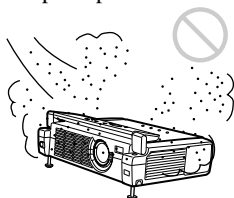
### Calor y humedad excesivos



- Evite instalar la unidad en lugares en los que la temperatura o la humedad sean muy elevadas, o en los que la temperatura sea muy baja.
- Para evitar que se condense humedad, no instale la unidad en lugares en los que la temperatura pueda aumentar rápidamente.

### Polvo excesivo

Evite instalar la unidad en lugares en los que haya mucho polvo; en caso contrario, el filtro de aire se obstruirá. Si el polvo bloquea el paso de aire por el filtro, es posible que el calentamiento interno del proyector aumente. Límpielo periódicamente.

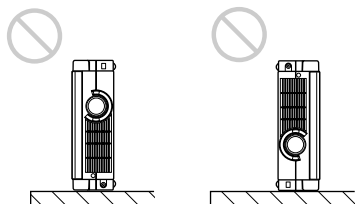


## Condiciones inadecuadas

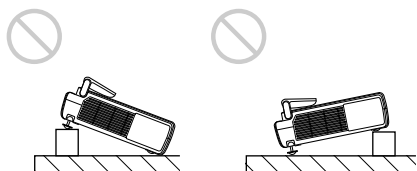
No emplee el proyector en las siguientes condiciones.

### Unidad en posición vertical

Evite utilizar la unidad en posición vertical apoyada en un lateral. Pueden producirse fallos de funcionamiento.

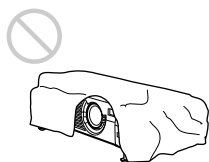


### Inclinación de la unidad fuera del margen de regulación del ajustador



Instale la unidad únicamente sobre el suelo. Evite utilizar la unidad con una inclinación que se encuentre fuera del margen de regulación del ajustador. Tal instalación puede causar fallos de funcionamiento.

### Bloqueo de los orificios de ventilación



Evite emplear algo que cubra los orificios de ventilación (de escape/aspiración); en caso contrario, es posible que se produzca un recalentamiento interno.

## Especificaciones

### Características ópticas

Sistema de proyección	3 paneles LCD, 1 objetivo, sistema de proyección
Panel LDC	Panel LDC de TFT de 0,7 pulgadas, 1.440.000 píxeles (480.000 píxeles × 3)
Objetivo	Zoom de 1,2 aumentos f 28,4 a 34,0 mm/F 1,8 a 2,2
Lámpara	UHP de 120 W
Tamaño de imagen de proyección	Margen: 40 a 150 pulgadas (medida diagonal)
Salida de iluminación	ANSI lumen <sup>1)</sup> 700 lm
Distancia de proyección	Cuando se introduce la señal SVGA
	40 pulgadas: 1586 a 1837 mm (62 <sup>5</sup> / <sub>8</sub> a 72 <sup>1</sup> / <sub>2</sub> pulgadas)
	60 pulgadas: 2402 a 2777 mm (94 <sup>1</sup> / <sub>2</sub> a 109 <sup>1</sup> / <sub>2</sub> pulgadas)
	80 pulgadas: 3217 a 3716 mm (126 <sup>7</sup> / <sub>8</sub> a 146 <sup>1</sup> / <sub>2</sub> pulgadas)
	100 pulgadas: 4033 a 4656 mm (158 <sup>11</sup> / <sub>16</sub> a 183 <sup>1</sup> / <sub>2</sub> pulgadas)
	120 pulgadas: 4849 a 5596 mm (191 a 220 <sup>1</sup> / <sub>2</sub> pulgadas)
	150 pulgadas: 6072 a 7005 mm (239 <sup>1</sup> / <sub>8</sub> a 276 <sup>1</sup> / <sub>32</sub> pulgadas)

1) ANSI lumen es un método de medida de American National Standard IT 7.228.

### Características eléctricas

Sistema de color	Sistema NTSC <sub>3.58</sub> /PAL/SECAM/NTSC <sub>4.43</sub> /PAL-M/PAL-N, conmutado automática/manualmente
Resolución	600 líneas de TV horizontales (entrada de vídeo) 800 × 600 puntos (entrada RVA)
Señales de ordenador admisibles	fH: 15 a 70 kHz fV: 43 a 85 Hz
Altavoz	Sistema de altavoces estéreo, 28 mm (1 <sup>1</sup> / <sub>8</sub> pulgadas) de diámetro, máx. 0,5 W × 2

## Entrada/Salida

### Entrada de vídeo

VIDEO: tipo fonográfico  
Vídeo compuesto: 1 V<sub>p-p</sub> ±2 dB sincronización negativa (terminación de 75 ohmios)  
S VIDEO: tipo Y/C mini DIN de 4 terminales (macho)  
Y (luminancia): 1 V<sub>p-p</sub> ±2 dB sincronización negativa (terminación de 75 ohmios)  
C (crominancia): sincronización de color  
0,286 V<sub>p-p</sub> ±2 dB (NTSC) (terminación de 75 ohmios), sincronización de color 0,3 V<sub>p-p</sub> ±2 dB (PAL) (terminación de 75 ohmios)

INPUT A HD D-sub de 15 terminales (hembra)

RVA/componente analógico:  
R/R-Y: 0,7 V<sub>p-p</sub> ±2 dB (terminación de 75 ohmios)  
G: 0,7 V<sub>p-p</sub> ±2 dB (terminación de 75 ohmios)  
G con sincronización/Y: 1 V<sub>p-p</sub> ±2 dB sincronización negativa (terminación de 75 ohmios)  
B/B-Y: 0,7 V<sub>p-p</sub> ±2 dB (terminación de 75 ohmios)  
SYNC/HD:

Entrada de sincronización compuesta: 1-5 V<sub>p-p</sub> alta impedancia, positiva/negativa  
Entrada de sincronización horizontal: 1-5 V<sub>p-p</sub> alta impedancia, positiva/negativa  
VD:  
Entrada de sincronización vertical: 1-5 V<sub>p-p</sub> alta impedancia, positiva/negativa

### AUDIO

Minitoma estéreo  
500 mV<sub>rms</sub>, impedancia superior a 47 kilohmios

### Normas de seguridad

UL1950, cUL (CSA No. 950), FCC Class B, IC Class B, NEMKO (EN60950), CE (LVD, EMC), C-Tick

## Información general

Dimensiones 275 × 65 × 214 mm (10<sup>7</sup>/<sub>8</sub> × 2<sup>5</sup>/<sub>8</sub> × 8<sup>1</sup>/<sub>2</sub> pulgadas) (anchura/altura/profundidad) (con la cubierta frontal cerrada, sin partes salientes)

Peso Aprox. 2,4 kg (5 libras 5 onzas)

### Requisitos de alimentación

CA 100 a 240 V, 1,9-0,8A, 50/60 Hz

### Consumo de energía

Máx. 190 W  
(Modo de espera: 5 W)

### Disipación de calor

648,4 BTU

### Temperatura de funcionamiento

0°C a 35°C (32°F a 95°F)

### Humedad de funcionamiento

35% a 85% (sin condensación)

### Temperatura de almacenamiento

-20°C a 60°C (-4°F a 140°F)

### Humedad de almacenamiento

10% a 90%

### Accesorios suministrados

Mando a distancia RM-PJ2 (1)  
Pila de litio CR2025 (1)  
Cable HD D-sub de 15 terminales (2 m) (1)  
(1-791-992-21)  
Estuche de transporte (1)  
Cable de alimentación de CA (1)  
Filtro de aire (para sustitución) (1)  
Manual de instrucciones (1)  
Tarjeta de referencia rápida (1)  
Núcleo de ferrita (1)

El diseño y las especificaciones están sujetos a cambios sin previo aviso.

## Accesorios opcionales

### Lámpara de proyector

LMP-C121 (para sustitución)

### Cable de señales

SMF-402 (HD D-sub de 15 terminales (macho) ↔ 3 × tipo fonográfico (macho))

### Cable de monitor

SMF-410 (HD D-sub de 15 terminales (macho) ↔ HD D-sub de 15 terminales (macho))

### Adaptador de señales

ADP-20 (Macintosh ↔ HD D-sub de 15 terminales)

### Pantallas

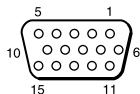
Pantalla portátil de 50 pulgadas VPS-50C<sup>1</sup>  
Pantalla plana de 100 pulgadas VPS-100FH

*Algunos artículos pueden no estar disponibles en ciertas zonas. Para más información, consulte con el centro Sony más próximo.*

1) La Pantalla VPS-50C puede no estar disponible en ciertas zonas. Para más información, consulte con el centro Sony más próximo.

## Asignación de terminales

### Conector INPUT A (HD D-sub de 15 terminales, hembra)



1	R/R-Y	9	N.C.
2	G/Y	10	GND
3	B/B-Y	11	GND
4	GND	12	DDC/SDA
5	GND	13	HD/SyncC.
6	GND (R)	14	VD
7	GND (G)	15	DDC/SCL
8	GND (B)		

### Señales de entrada y elementos ajustables/de ajuste

#### Menú CTRL IMAGEN

Elemento	Señal de entrada				
	Vídeo o S video (Y/C)	Com-ponente	Vídeo RVA	Orde-nador	B&N
CONTRASTE	●	●	●	●	●
BRILLO	●	●	●	●	●
COLOR	●	●	●	-	-
TONALIDAD	● (sólo NTSC 3.58/ 4.43)	●	●	-	-
NITIDEZ	●	●	●	-	●
POTENCIA RVA	-	-	-	●	-
IMAG DI	●	●	●	-	●
MODO GAMMA	-	-	●	●	-
TEMP COLOR	●	●	●	●	●
SIST COLOR	●	-	-	-	●
VOLUMEN	●	●	●	●	●

● : Ajustable/puede ajustarse

- : No ajustable/no puede ajustarse

## Menú AJUS ENTRAD

Elemento	Señal de entrada				
	Vídeo o S video (Y/C)	Com-ponente	Vídeo RVA	Orde-nador	B&N
FASE PUNTO	-	-	-	●	-
TAMANO H	-	-	-	●	-
DESPLAZ	●	●	●	●	●
CONV EXPLO	-	-	-	● (menor que VGA)	-
ASPECTO	●	●	●	-	●

● : Ajustable/puede ajustarse

- : No ajustable/no puede ajustarse

## Señales predefinidas

Nº de memoria	Señal predefinida		fH (kHz)	fV (Hz)	Sincronización	TAMAÑO	
1	Vídeo 60 Hz		15,734	59,940	/		
2	Vídeo 50 Hz		15,625	50,000			
3	RVA de 15k/Componente 60 Hz		15,734	59,940		S en G/Y o Sincronización compuesta	
4	RVA de 15k/Componente 50 Hz		15,625	50,000		S en G/Y o Sincronización compuesta	
6	640 × 350	Modo VGA 1	31,469	70,086	H-pos, V-neg	800	
7		VGA VESA 85 Hz	37,861	85,080	H-pos, V-neg	832	
8	640 × 400	PC-9801 Normal	24,823	56,416	H-neg, V-neg	848	
9		Modo VGA 2	31,469	70,086	H-neg, V-pos	800	
10		VGA VESA 85 Hz	37,861	85,080	H-neg, V-pos	832	
11	640 × 480	Modo VGA 3	31,469	59,940	H-neg, V-neg	800	
12		Macintosh 13"	35,000	66,667	H-neg, V-neg	864	
13		VGA VESA 72 Hz	37,861	72,809	H-neg, V-neg	832	
14		VGA VESA 75 Hz	37,500	75,000	H-neg V-neg	840	
15		VGA VESA 85 Hz	43,269	85,008	H-neg V-neg	832	
16	800 × 600	SVGA VESA 56 Hz	35,156	56,250	H-pos, V-pos	1024	
17		SVGA VESA 60 Hz	37,879	60,317	H-pos, V-pos	1056	
18		SVGA VESA 72 Hz	48,077	72,188	H-pos, V-pos	1040	
19		SVGA VESA 75 Hz	46,875	75,000	H-pos, V-pos	1056	
20		SVGA VESA 85 Hz	53,674	85,061	H-pos, V-pos	1048	
21	832 × 624	Macintosh 16"	49,724	74,550	H-neg, V-neg	1152	
22	1024 × 768	XGA VESA 43 Hz	35,524	43,479	H-pos, V-pos	1264	
23		XGA VESA 60 Hz	48,363	60,004	H-neg, V-neg	1344	
24		XGA VESA 70 Hz	56,476	70,069	H-neg, V-neg	1328	
25		XGA VESA 75 Hz	60,023	75,029	H-pos, V-pos	1312	
26		XGA VESA 85 Hz	68,677	84,997	H-pos, V-pos	1376	

Otros

### Nota

Si se introduce una señal que no sea una de las predefinidas que se indican, es posible que la imagen no se vea correctamente.

## Advertencia sobre la conexión de alimentación

Utilice un cable de alimentación adecuado al suministro eléctrico local.

	Estados Unidos y Canadá	Europa continental	Reino Unido	Australia	Japón
Tipo de enchufe	YP-11	YP-21	SP-61	B8	YP-13
Extremo hembra	YC-13L	YC-13L	YC-13L	C7-2	YC-13L
Tipo de cable	SPT-2	H03VVH2-F	H03VVH2-F	H03VVH2-F	VFF
Corriente y tensión nominal	10A/125V	2,5A/250V	2,5A/250V	2,5A/250V	7A/125V
Aprobación de seguridad	UL/CSA	VDE	BS	SAA	DENANHO

# Índice

## A

Accesorios opcionales ....	35
Accesorios suministrados .....	35
AHORRO ENERGIA .....	26
Ajustador .....	8
Ajuste	
Imagen .....	19, 23
Memoria de los ajustes .....	22
Tamaño/desplazamiento de la imagen ..	24, 25
Alimentación	
Activación .....	18
Asignación de terminales .....	36
ASPECTO .....	25

## B

BRILLO .....	23
BÚSQ ENTR AUTO .....	26

## C

COLOR .....	23
COLOR MENU .....	27
Conector INPUT A .....	9
Asignación de terminales .....	36
Conexiones	
Equipo componente ....	14
Ordenador .....	13
Videograbadora .....	14
CONTRASTE .....	23
CONV EXPLOR (Convertidor de exploración) .....	25

## D

DESPLAZ .....	25
Detector de control remoto	
Frontal .....	6
Posterior .....	7

## E

Ejemplos de instalación .	12
Condiciones inadecuadas .....	34
Instalación inadecuada	33
Notas .....	33
ENTRAD A .....	26
Especificaciones .....	34
ESTADO (indicación en pantalla) .....	26

## F

FASE PUNTO .....	24
Filtro de aire .....	29
FONDO MENU .....	27
Función de zoom digital .	21

## I

IDIOMA .....	26
Selección del idioma del menú .....	16
IMAG DI (Dinámica) ....	23

## M

Mando a distancia .....	10
Instalación de la pila ..	11
Ubicación y función de los controles .....	10
Mensaje	
Aviso .....	32
Precaución .....	32
Menú	
AJUS ENTRAD .....	24
AJUSTE .....	26
CTRL IMAGEN .....	23
Desactivación de la pantalla de menú .	22
Uso del menú .....	22
Menú AJUS ENTRAD ..	24
Menú AJUSTE .....	26
Menú AJUSTE INST ....	27
Menú CTRL IMAGEN ..	23
MODO GAMMA .....	23

## N

NITIDEZ .....	23
---------------	----

## O

Orificios de ventilación	
Aspiración .....	7
Escape .....	7

## P

Pila	
Instalación .....	11
Notas .....	11
POSICION MENU .....	27
POTENCIA RVA .....	23
POWER SAVING .....	6
Precauciones .....	4

## R

Reajuste	
Elementos que pueden reajustarse .....	22
Reajuste de un elemento .....	22

## S

SIST (Sistema) COLOR	24
Solución de problemas ...	30
Sustitución de la lámpara	28

## T

Tamaño de la pantalla .....	12, 34
TAMANO H .....	24
TEMP COLOR .....	24
TONALIDAD .....	23

## U

Ubicación y función de los controles	
Mando a distancia .....	10
Panel de conectores .....	9
Panel de control .....	9
Parte frontal/lateral/inferior .....	6
Parte posterior/lateral izquierda .....	6

## V

VOLUMEN .....	24
---------------	----

Otros

