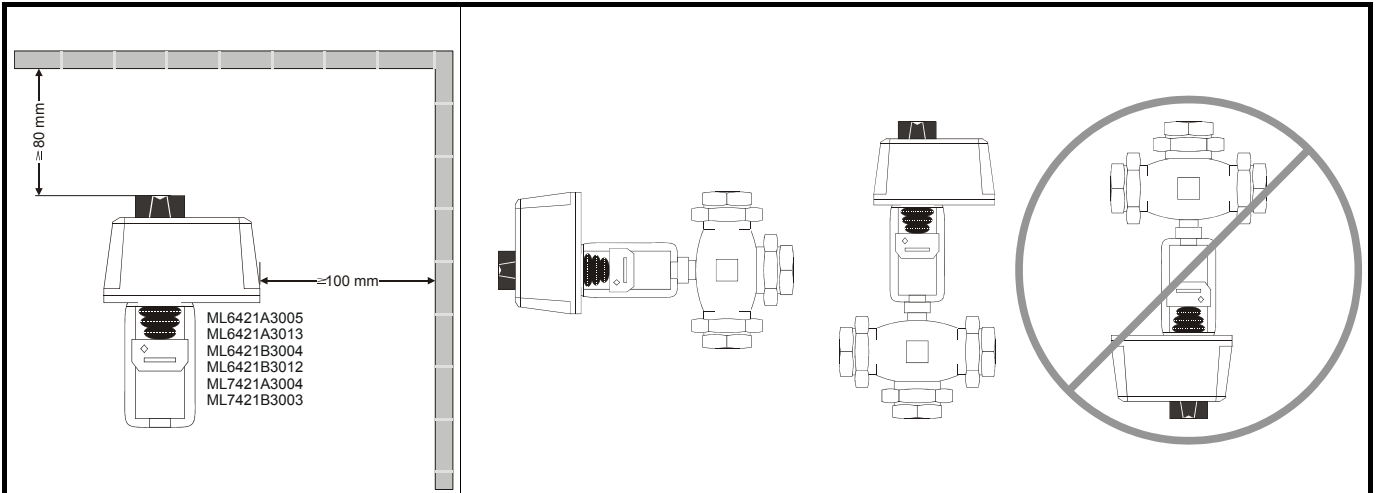


FI Asennusohje
 S Installation instruktioner
 N Installationsinstruktioner
 DK Installationsinstruktus
 NL Installatievoorschrift
 D Montageanweisung
 F Instructions d'installation
 ES Instrucciones de montaje
 I Istruzioni di montaggio

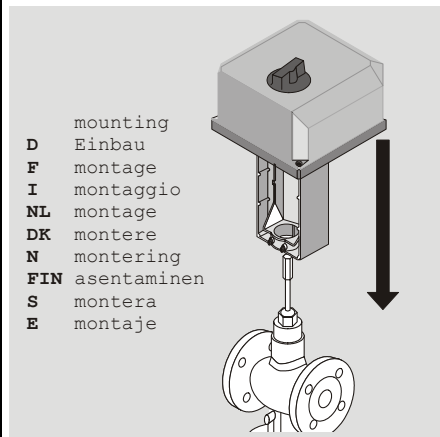
ML6421A,B/ML7421A,B

Electric Linear Valve Actuators

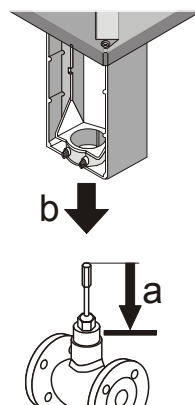
INSTALLATION INSTRUCTIONS



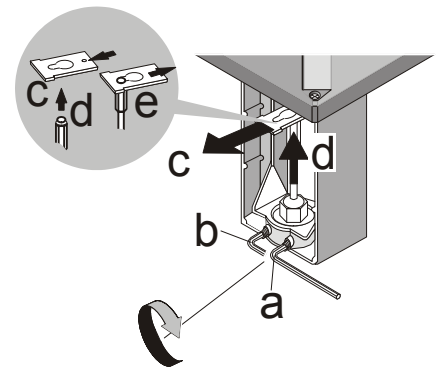
A1-A7: Mounting



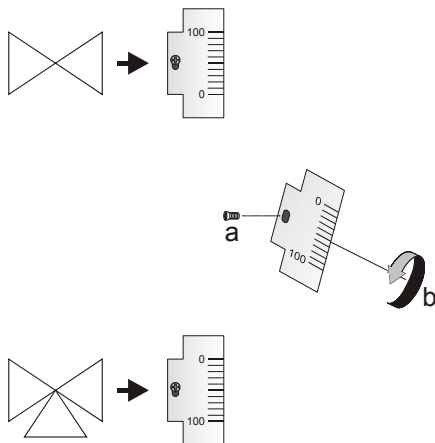
A1



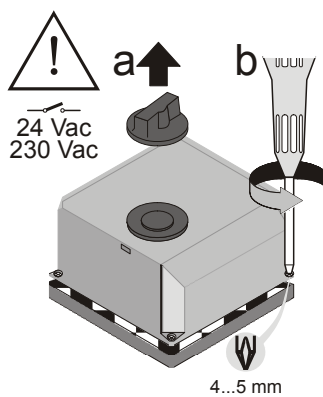
A2



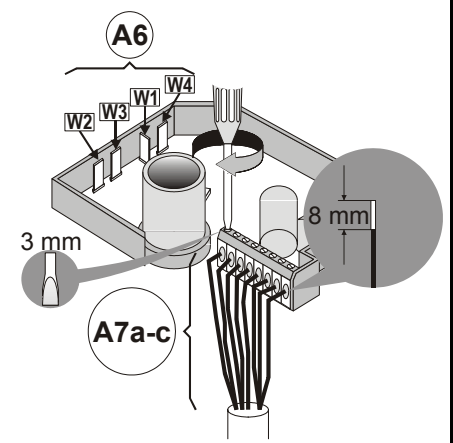
A3



A4



A5



A6: ML7421A,B

W2 **W3** **W4**

W1

A7a: ML7421A,B (0/2...10 V)

auxiliary switches 24 Vac / 5 (3) A

A7b: ML6421A,B(24 V)

auxiliary potentiometer

auxiliary switches 24 Vac / 5 (3) A

A7c: ML6421A,B (230 V)

auxiliary switches 250 Vac / 5 (3) A

A8

24 Vac 230 Vac

4...5 mm

B: Manual

C: Dismounting

dismounting

D Ausbau

F démontage

I smontaggio

NL demontage

DK afmontere

N demontere

FIN purkaminen

S nedmontera

E desmontaje

C1

C2

A4 → A5 → A2 → A1

Automation and Control Solutions

Honeywell GmbH
 Böblinger Strasse 17
 71101 Schönaich / Germany
 Phone: (49) 7031 637 - 01
 Fax: (49) 7031 637 - 493
<http://ecc.emea.honeywell.com>
 Subject to change without notice. Printed in Germany
 MU1B-0194GE51 R0409C