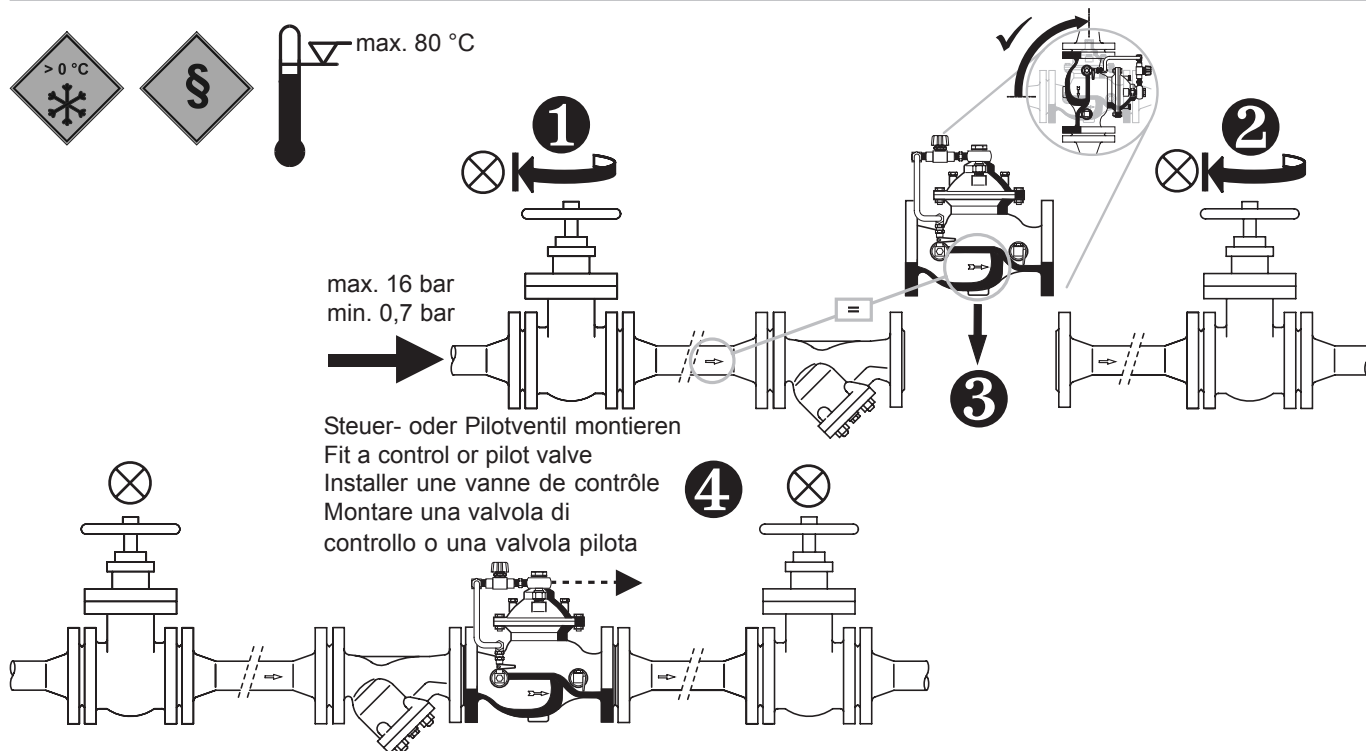


BV300

Einbau- und Wartungsanleitung • Installation and maintenance Instructions
 Instructions de montage et de entretien • Istruzioni di montaggio e manutenzione

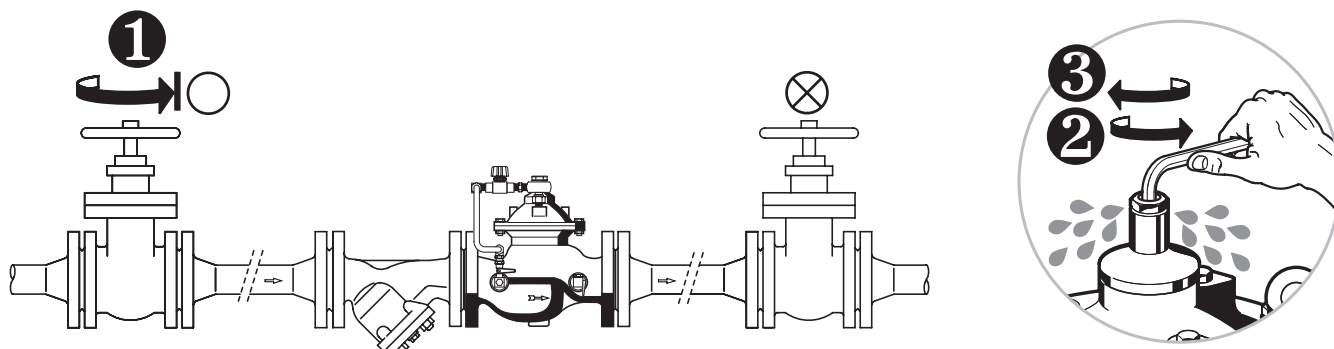
1

Einbau • Installation • Installation • Installazione



2

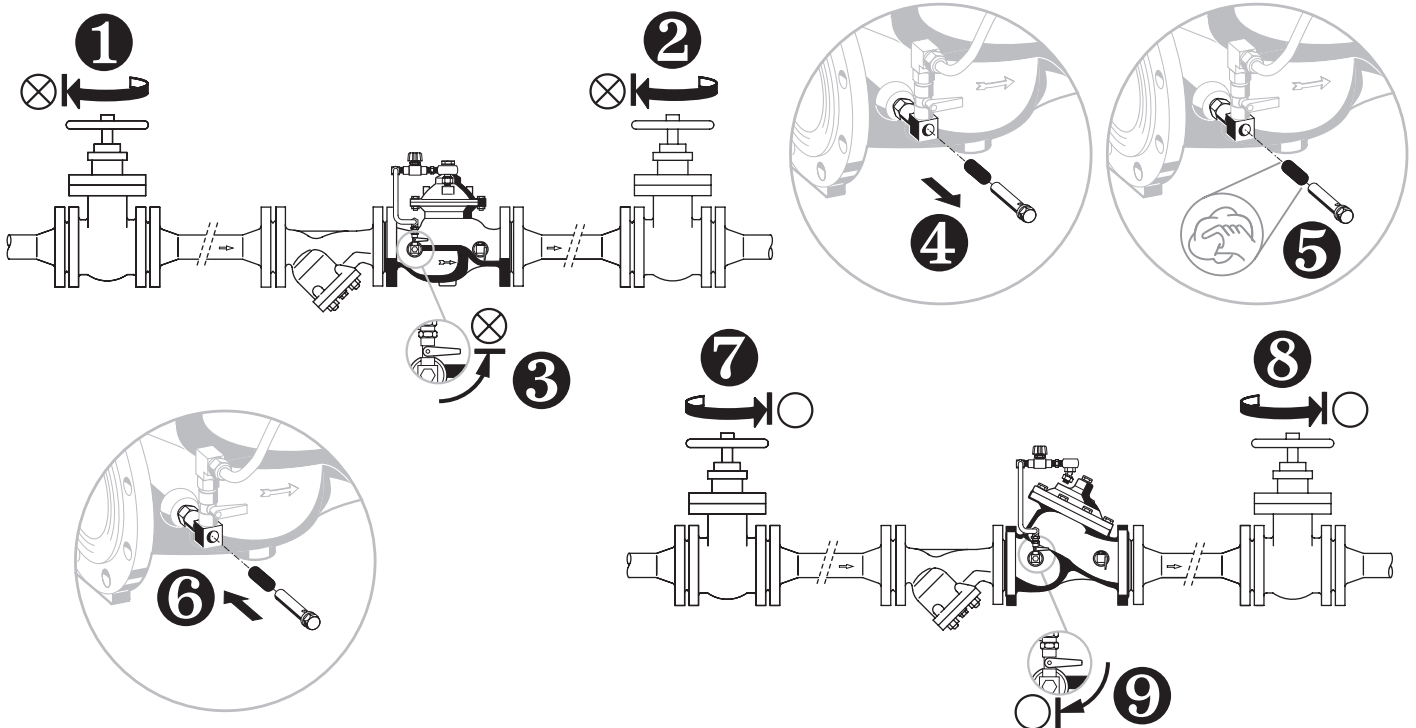
Inbetriebnahme • Commissioning • Mise en service Messa in servizio



Weitere Inbetriebnahme und Einstellung des Feinregulierventils in Abhängigkeit vom installierten Steuer- oder Pilotventil
 Further commissioning and setting of fine regulation valve depends on fitted control or pilot valve
 Mise en service et ajustage de la vanne de réglage précis reste dépendant de la vanne de contrôle
 La messa in servizio e la regolazione della valvola di regolazione fine dipendono dalla valvola di controllo o valvola pilota installata.

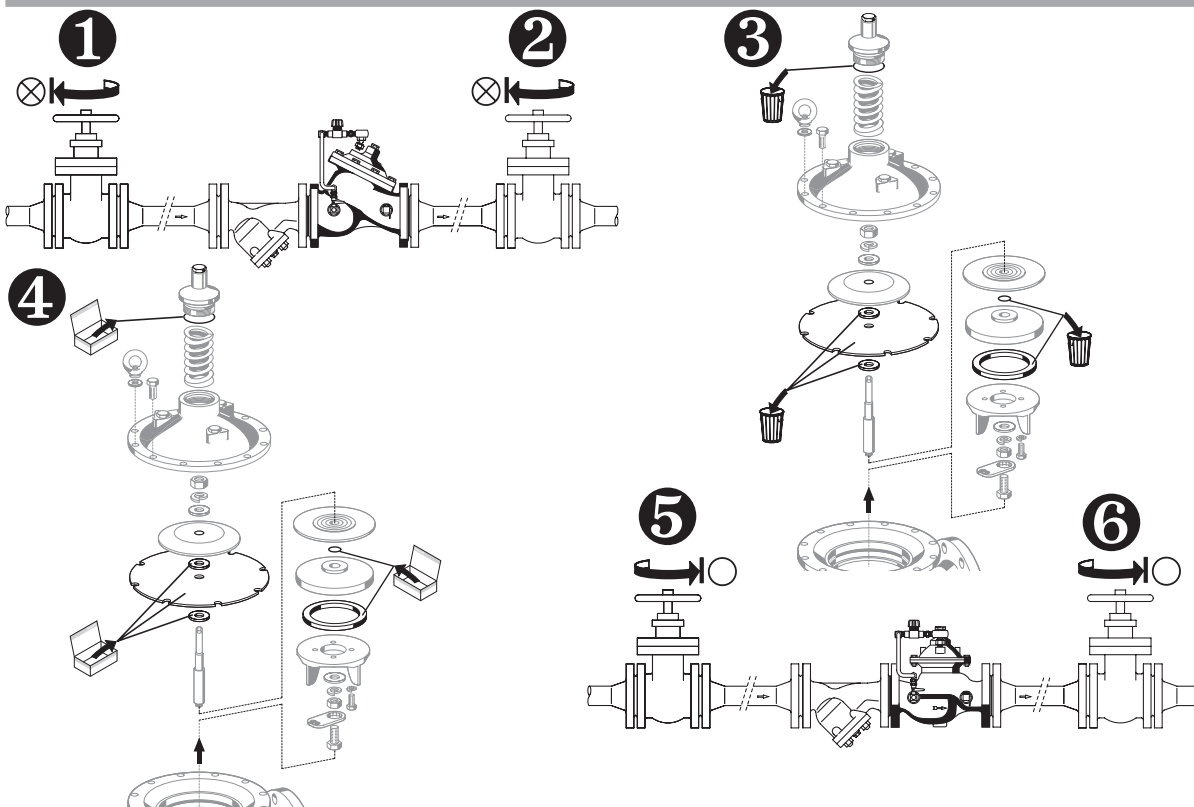
3

Filtereinsatz reinigen • Cleaning self-flushing filter Nettoyer le filtre • Pulizia dell'inserto filtro



4

Innenteile austauschen • Replace inner Parts • Changer les pièces intérieures • Sostituzione dei componenti interni



Automation and Control Solutions

Honeywell GmbH
Hardhofweg
74821 Mosbach
Phone: (49) 6261 810
Fax: (49) 6261 81309
www.honeywell.com

Manufactured for and on behalf of the Environmental and Combustion Controls Division of Honeywell Technologies Sàrl, Ecublens, Route du Bois 37, Switzerland by its Authorised Representative Honeywell GmbH

MU1H-1332GE23 R0207
Subject to change without notice
© 2007 Honeywell GmbH

Honeywell