



Macro 5/3 SLR-1200



English
Français
Deutsch
Italiano
Español
Chinese

User Guide

Introduction

The Polaroid Macro 5/3 SLR-1200 is a simple to operate, fully automatic, portable camera designed for dental and medical documentation of patient conditions, and other applications requiring high quality close-up photographs. The camera uses Polaroid self-developing instant color films, so you know immediately that you have the picture you need.

The Macro 5 camera produces reproductions at: 0.2X (20%), 0.4X (40%), 1X(100%), 2X (200%) and 3X (300%). The Macro 3 camera produces reproductions at: 1X(100%), 2X (200%) and 3X (300%) only. The lenses for each reproduction size are self-contained, so there is no need to attach accessories when changing magnification.

The camera has two built-in electronic flash units providing even illumination, and a microprocessor-controlled exposure system that automatically sets the camera for the correct exposure at all magnifications. The flash units also can be used individually for side-lighting or in combination with auxiliary lighting. (Macro 5 only)

The camera is compatible with:

- 5X Close-Up Contact and Non-Contact Attachments (PID Nos. 625957/623724)
- Intraoral Dental Kit (PID No. 629873)
- 0.67 Non-Contact Attachment for Cosmetic Ophthalmology (Macro 5 only) (PID Nos. 625942)
- Polarizer kit to reduce reflections from the flash units when photographing glossy or glass subjects (PID No. 619909) (Macro 5 only)
- Fluorescein kit for external ophthalmic photography includes a #8 yellow barrier filter and #47A blue exciter filters (PID No. 619908) (Macro 5 only)

Other features include:

- Dual-light rangefinder helps you place the camera at the proper distance from the subject for correct focus.
- Date / time module (Macro 5 only) that allows you to print the date or time on pictures.
- Can be hand-held or used on a tripod or copystand.
- Grid screen in viewfinder (Macro 5 only) for consistent framing of subjects

The numbers throughout the text refer to the illustrations at the end of the book.

CAUTION (MACRO 5 ONLY): THIS CAMERA IS BATTERY POWERED. TO AVOID ELECTRICAL SHOCK, CAMERA SHOULD NOT BE EXPOSED TO OR IMMERSSED IN WATER OR OTHER FLUIDS, DISASSEMBLED, OR OPERATED IF DROPPED OR DAMAGED. FOR REPAIR INFORMATION, CONTACT NEAREST SERVICE CENTER.

Camera parts (1)

- a Shutter button
- b Right hand grip
- c Electronic flash units
- d Lens
- e Film door release button
- f Film door
- g Tripod socket (on bottom of camera)
- h Ranging lights
- i Magnification selector knob
- j Battery compartment (inside hand grip) (Macro 5 only)
- k Left hand grip
- l Viewfinder
- m Control panel

Load the batteries (Macro 5 only)

The camera requires four AA batteries to provide power for the ranging lights. Alkaline batteries (standard or rechargeable) are recommended; rechargeable NiCad batteries also can be used.

The battery compartment is located in the handgrip; slide the battery door open (2); the battery holder will pop up. Unsnap the battery clip (3) and remove the battery holder (4). Insert the batteries in the orientation shown on the holder (5). Replace the battery holder, snap on the clip and close door.

Important: Remove the batteries and store them separately if the camera will not be used for an extended period of time. Use of the camera in extreme heat or cold will shorten battery life.

See *Battery cautions*.

Load the film

The camera uses Polaroid HighDefinition instant self-developing color films, 1200 Film with 12 frames per pack or T990, and Gridfilm with 10 frames per pack. These high-speed (ISO640/290) films are balanced for electronic flash and daylight (5500K), and produce positive color prints.

- 1 Press the film door release button; the door drops open (6).
- 2 Check that the film processing rollers are clean, before loading the film. Dirt or bits of dried developer on the rollers can cause a pattern of repeated spots or bars on pictures. Clean both rollers with a soft, lint-free cloth, dampened with water if necessary (7). Rotate the rollers as you clean and inspect them.
- 3 Hold the film pack by the edges, with the safety cover facing up (8). Slide the pack all the way into the camera.

4 Close the film door. The safety cover ejects from the front of the camera (9).

Both 10 and 12-frame film

- E = Empty, no pack inserted
- S = Fresh pack inserted - ready to start
- 1 = 1st frame taken
- 2 = 2nd frame taken

etc

- 11 = 11th frame taken (appears in red - no frame emerges if 10-frame pack used)

To remove an empty film pack

Open the film door, grasp the tab on the end of the pack, and pull the pack out (10).

The control panel (11)

a Power button

Press to turn on the camera. The flash units begin charging, and the green indicators light up when the camera is fully charged for picture-taking.

The camera turns off if the power button is pressed again, or after 30 seconds of inactivity. (Note: The camera can also be turned on by lightly pressing the shutter button.)

b Low battery indicator (Macro 5 only)

Yellow light comes on when the batteries in the handgrip are weak (the ranging lights also will become dim.)

c Flash status lights

The red LED blinks while the flash units are charging; the green lights will come on when READY.

The flash units can be turned on or off selectively (Macro 5 only).

d Standard PC socket for auxiliary flash (Macro 5 only).

e Reset button (Macro 5 only)

This returns the camera to the nominal flash and Lighten / Darken settings.

f Lighten/Darken controls

Each setting adjusts the flash output to increase or decrease exposure by 1/3 f-stop. The center light is the nominal setting.

g Magnification indicators (Macro 5 only)

Light up to show the selected magnification.

h Date / time control and display (Macro 5 only)

Allows you to print the date or time on pictures.

i Film counter

Both 10 and 12-frame film

- E = Empty, no pack inserted
- S = Fresh pack inserted - ready to start
- 1 = 1st frame taken
- 2 = 2nd frame taken

etc

- 11 = 11th frame taken (appears in red - no frame emerges if 10-frame pack used)

Set the magnification

Turn the magnification selector knob to the desired setting (12). The knob clicks into position at each magnification; the camera will not function if the knob is between lens settings.

In addition to the magnification, the selector shows the camera-to-subject distance and icons that represent the approximate area of a subject included in the picture.

Focusing and framing the subject

1 Hold the camera at the approximate distance from the subject for the selected magnification. For example, if taking pictures at 1X, hold the camera 10 in. (25cm) from the subject.

- 2 Press the shutter button lightly (13); the ranging lights go on. The lights stay on as long as the button is pressed. If you release the button, the lights go off in about 15 sec. Press the shutter button lightly to turn them on again.
- 3 Look over the top of the camera; note the two ranging lights on the subject (14). Move the camera nearer or farther from the subject, until the two lights merge (15).
- 4 The viewfinder shows the area included in the picture, with the ranging lights in the center of the picture. Use the grid screen (Macro 5 only) to ensure consistent framing.

If you have difficulty seeing the ranging lights, check that the camera is at the correct distance from the subject. See also *Troubleshooting*.

Take the picture

Look through the viewfinder, and reframe the subject as needed.

Use the grid screen to ensure consistent framing. (Macro 5 only)

Press the shutter button all the way to take the picture (16).

The picture automatically ejects from the front of the camera when you release the shutter button.

Lay the picture down flat or hold it by its wide border while it develops. Do not shake, bend or squeeze the picture, and never cut pictures or take them apart. See *Caution* notice on film box.

Picture tips

- When taking portraits at 0.4X or 0.2X magnification (Macro 5 only), turn the camera 90° for a vertical format to include the entire face (17). You may want to turn off the lower flash unit for more pleasing lighting.

- Important: Always hold the camera so the front panel is parallel to the subject (18). Holding the camera at an angle (19) may cause uneven picture sharpness.
- If you wear eye glasses for distant viewing, wear them when using the camera for accurate viewing and focusing.

Lighten/Darken control (11f)

The camera is designed to provide the correct exposure for subjects of average brightness. With some subjects, you may want to make the picture lighter or darker to enhance specific details. Each setting on the panel indicates an exposure change of 1/3 f-stop, up to 1 full f-stop.

- Press the light arrow to lighten pictures (increase the exposure).
- Press the dark arrow to darken pictures (decrease the exposure).

The camera has a memory and saves your custom Lighten/Darken setting until you press the reset button (Macro 5 only) to return to the nominal setting. If using the Macro 3, press the opposite arrow until green light aligns directly over the vertical line.

Date display module (Macro 5 only)

The date display module (11h) allows you to print the date or the day / time on pictures (20).

Setting the date

- 1 Press MOD (mode) repeatedly until the desired date sequence is displayed:

No printing	--	--	--
Month / day / year	8	27	'99
Day / month / year	27	8	'99
Year / month / day	'99	8	27
Day / time (24-hour clock)	27	14:22	

- 2 Press SEL (select) to select the year, month or day (see blinking digit).

- 3 Press SET repeatedly (or hold button) until the desired digit is displayed. Repeat steps 2 and 3 until the desired year, month and day are all set.
- 4 Press SEL again to lock in the date.

Setting the time

- 1 Press MOD until the day / time mode is displayed. The first set of digits in the display is the day of the month, followed by the time in hours and minutes.
- 2 Press SEL and the hours will blink. Press SET to toggle through the hours. Press SEL again to lock in the hour. The minutes will now blink.
- 3 Press SET to toggle through the minutes. Press SEL again to lock in the minutes.
- 4 Press SEL again to lock in the time.

Shutting off the date display option

Press MOD until a series of dashes appears in the display.

Note: The date module is powered by the battery in the film pack, or by the batteries in the handgrip. If there are no batteries or film in the camera for more than 5 minutes, you will need to reset the date / time after replacing the batteries.

Flash control (11c)

The two built-in electronic flash units are designed to provide even illumination at all reproduction scales. You can turn off either flash unit (Macro 5 only) if side lighting is needed to show texture or elevation. The light output from the remaining flash unit will be increased to produce the correct exposure.

Press the flash control once to turn off the right flash; press it a second time to turn off the left flash; press it a third time to turn off both flash units.

Lighting techniques (Macro 5 only)

Both built-in flash units can be turned off, and auxiliary lighting used. The auxiliary light is connected to the PC socket on the back of the camera (21). Advanced photographers may find it useful to experiment with different lighting arrangements.

- The auxiliary lighting must be electronic flash - do not use tungsten, halogen or fluorescent lights.
- The built-in flash can be combined with auxiliary lighting.
- Test exposures may be required to determine the correct location and settings for the auxiliary flash unit for correct exposure.

Outdoor use

The camera is designed primarily for indoor use; if it must be used outdoors:

- Select an area not subjected to bright sunlight, which may cause overexposed pictures.
- Shade the subject from direct sunlight. (It is difficult to see the ranging lights in very bright light.)
- Use the built-in flash units to ensure consistent exposure
- Optimal performance 71°F (22°C).

GridFilm

This film has a grid pattern which is created during manufacture. The grid pattern appears as an overlay on any picture taken with the film.

The pattern consists of 17 vertical and 13 horizontal lines.

To help you define location on the grid, the vertical lines are identified by letters across the top, and the horizontal lines are identified by numbers along the left border (22). You can specify the location on the picture by a letter-number combination.

Calculating measurement from the grid pattern

When taking pictures at 1X magnification, each square of the grid pattern represents 5mm (0.2 in.). The chart below shows the value represented by each square in pictures taken at each magnification.

<i>Magnification</i>	<i>Grid square value</i>	
0.2X (Macro 5 only)	1 in.	25mm
0.4X (Macro 5 only)	0.5 in.	13mm
1X	0.2 in.	5mm
2X	0.1 in.	2.5mm
3X	0.07 in.	1.7mm

Troubleshooting*Difficulty focusing:*

The ranging lights may be difficult to see when using the camera in very bright light, or when photographing very dark subjects. If you have difficulty seeing the ranging lights:

- Check that the camera is set for the desired magnification, and is at the correct distance from the subject.
- Check that the film is not outdated.
- Move the ranging lights to a lighter area on the subject.
- Look over the top of the camera, rather than through the viewfinder.
- Check the battery indicator (Macro 5 only); if necessary replace the batteries in the handgrip.

Camera does not function:

The flash and/or LED ranging lights will not function if the film pack battery is weak or dead.

No image in viewfinder:

The magnification selector knob is between settings.

Pictures too light:

The camera may be too close to the subject for the selected magnification. The Lighten/Darken control may be set incorrectly. Very light subjects may require setting the control toward Darken. There may be bright ambient light affecting the exposure.

Pictures too dark:

The camera may be too far from the subject for the selected magnification. The Lighten/Darken control may be set incorrectly. Very dark subjects may require setting the control toward Lighten.

Subject not sharp:

The camera is at the wrong distance from the subject. (Pictures also will be incorrectly exposed - too light or too dark.)

Portions of picture out of focus, or distorted subject:

The camera is not parallel to the subject.

Care and Maintenance*Lens care:*

Avoid touching the lens. To remove dust or fingerprints, breathe on the lens and wipe it gently with a clean, soft facial tissue. Do not use silicone-treated eyeglass tissues.

Temperature:

The camera and film are designed for use at temperatures of 40-105(F (4-41(C)). Store below 75(F (24(C)). Never leave film or a loaded camera in a hot area (such as the luggage compartment of a car).

Caution:

To prevent electric shock, do not remove camera covers. No user serviceable parts inside. Refer servicing to the nearest Polaroid Service Center.

Camera Specifications

<i>Magnification¹</i>	<i>Lens to subject distance</i>	<i>Lens focal length²</i>	<i>Effective lens aperture</i>	<i>Depth of field³</i>
0.2X (20%) (Macro 5)	52 in./132cm	221mm	f/20	8.8 in./22cm
0.4X (40%) (Macro 5)	26 in./66cm	188mm	f/34	3.8 in./10cm
1X (100%)	9.9 in./25cm	128mm	f/47	0.86 in./2.2cm
2X (200%)	4.8 in./12cm	85.4mm	f/67	0.31 in./0.8cm
3X (300%)	3.1 in./8cm	64mm	f/100	0.20 in./0.5cm

- ¹ If the exact magnification must be documented, include a scale in the picture (**23**). The scale and the subject must be at the same distance from the camera.
- ² The camera contains separate lenses for the magnification. Each lens has the proper focal length for minimum perspective distortion and more working space between the camera and subject, and a small lens aperture for better depth of field.
- ³ The depth of field, or distance zone within which the subject will be in sharp focus, is limited in close-up photography. The zone will extend about half its distance in front of, and half behind, the point of sharpest focus.

Note: The camera has a fixed shutter speed of 1/50 sec.

EMC statement

Polaroid Corporation certifies that this product conforms to the following standards:

Safety: Low Voltage Directive 73/23/EEC

EMC: EN55022, Class B; EN50082-1; IEC 801-2, 801-3

Free technical assistance

If you need assistance or additional information please contact a Polaroid dealer, or office nearest you. For assistance within the U.S.A., call us toll free at 1-800-343-5000, Mon.-Fri., 8 a.m. to 8 p.m. (Eastern time). Or, write to the Customer Care Center, Polaroid Corporation, 201 Burlington Road, Bedford, MA, 01730-1406.

If outside the U.S.A., contact the nearest Polaroid Office. (See list on back page.)

Limited Warranty

Your Macro 5/3 camera has been thoroughly tested and inspected before shipment. All parts are guaranteed against defects in materials and workmanship for one full year from the date of original purchase. During this period, any such defects will be remedied by Polaroid Corporation without charge, except for transportation costs. The warranty excludes damage resulting from normal wear, mishandling or accident, and a charge will be made for such repairs. The warranty does not include the batteries, or damage caused by leaking batteries.

U.S.A.: This warranty excludes consequential damages in jurisdictions where permissible.

Outside U.S.A.: This warranty does not affect your statutory rights.

Service

Before returning a camera for service, contact the Polaroid Customer Care Center or the nearest Polaroid Office for shipping and service information. The camera should be packed in its original shipping carton or other sturdy container, and shipped, pre-paid and insured, to the nearest Polaroid Office.

Battery Cautions (Macro 5 only)

- The batteries used in this device may present a risk of one or more of the following occurrences: Release of toxic materials, release of flammable vapors, rise in surface temperature. Do not recharge, incinerate or mutilate.
- Replace batteries with the same type. Use of another battery type may present a risk of fire or explosion
- Dispose of used batteries promptly. Keep away from children. Do not disassemble and do not dispose of in fire. The cell may explode. Check with local codes for possible special disposal instructions.
- When replacing batteries, replace all at the same time. Mixing fresh and discharged batteries could increase internal cell pressure and rupture the discharged batteries.

Radio and television interference FCC requirements

This device complies with Part 15 of the FCC rules. Operation is subject to the following two conditions:

- 1 This device may not cause harmful interference.
- 2 This device must accept any interference received, including interference that may cause undesired operation.

FCC Notice (U.S.A. only)

Warning: Changes or modifications to this unit not expressly approved by the party responsible for compliance could void the user's authority to operate the equipment.

This equipment has been tested and found to comply with the limits for a Class B digital device, pursuant to Part 15 of the FCC Rules. These limits are designed to provide reasonable protection against harmful interference in a residential installation.

This equipment generates, uses and can radiate radio frequency energy and, if not installed and used in accordance with the instructions, may cause harmful interference to radio communications. However, there is no guarantee that interference will not occur in a particular installation. If this equipment does cause harmful interference to radio or television reception, which can be determined by turning the equipment off and on, the user is encouraged to try to correct the interference by one or more of the following measures:

- Reorient or relocate the receiving antenna.
- Increase the separation between the equipment and receiver.
- Consult the dealer or an experienced radio/TV technician for help.

EMI Notice (Canada)

This digital apparatus does not exceed the Class B limits for radio noise emissions from digital apparatus set out in the Radio Interference Regulations of the Canadian Department of Communications.

Introduction

L'appareil photo Polaroid Macro 5/3 SLR-1200 est un appareil portable simple d'utilisation et entièrement automatique documenter conçu pour l'état dentaire et médical des patients ainsi que pour toute application nécessitant des gros plans de grande précision. Cet appareil utilise des films couleur instantanés Polaroid, ce qui permet d'examiner immédiatement la photo prise.

L'appareil Macro 5 camera prend des photos à divers grossissements: 0,2X (20%), 0,4X (40%), 1X(100%), 2X (200%) et 3X (300%). L'appareil Macro 3 ne possède que les options: 1X(100%), 2X (200%) et 3X (300%) seulement. Comme les objectifs correspondant à chaque niveau de grossissement sont intégrés à l'appareil, il n'est pas nécessaire d'ajouter des accessoires pour changer le niveau de zoom.

L'appareil dispose de deux flashes électroniques restituant un éclairage uniforme ainsi que d'un système d'exposition contrôlé par microprocesseur permettant d'obtenir une exposition correcte, quel que soit le niveau de grossissement. Les flashes peuvent être utilisés individuellement pour des éclairages de profil ou en combinaison avec d'autres sources de lumière (Macro 5 seulement.)

L'appareil est compatible avec :

- Les bonnettes de grossissement X5 contact et sans contact (PID Nos. 625957/ 623724)
- Le kit dentaire intraoral (PID No. 629873)
- Les bonnettes sans contact 0,67 de l'ophtalmologie cosmétique (Macro 5 seulement) (PID Nos. 625942)
- Le kit polarisant pour réduire les reflets du flash sur des sujets brillants ou des surfaces vitrées (PID No. 619909) (Macro 5 seulement)

- Le kit de fluorescéine pour prises de vue externes de l'oeil incluant un filtre barrière jaune #8 et deux filtres excitants bleus #47A (PID No. 619908) (Macro 5 seulement)

Autres caractéristiques :

- Télémètre à double voyant lumineux permettant de placer l'appareil à une distance correcte du sujet afin d'obtenir une mise au point optimale.
- Le module heure et date (Macro 5 seulement) vous permet d'imprimer ces informations sur la photo.
- L'appareil peut être fixé sur un trépied ou sur un statif de reproduction.
- Le viseur (Macro 5 seulement) est collimaté pour un meilleur cadrage.

Les chiffres correspondent aux illustrations figurant en fin d'ouvrage.

ATTENTION (MACRO 5 SEULEMENT): CET APPAREIL EST ALIMENTÉ PAR DES PILES. POUR ÉVITER TOUT CHOC ÉLECTRIQUE IL NE FAUT PAS IMMERGER LA CAMERA DANS UN LIQUIDE, LA DÉMONTÉ OU ESSAYER DE LA RÉPARER. SI UNE RÉPARATION EST NÉCESSAIRE, CONTACTEZ VOTRE CENTRE DE MAINTENANCE LE PLUS PROCHE.

Description détaillée de l'appareil photo (1)

- a Déclencheur
- b Poignée droite
- c Flashs électroniques
- d Objectif
- e Bouton d'ouverture du compartiment du film
- f Compartiment du film
- g Support de trépied (en bas de l'appareil)
- h Témoins lumineux de mise au point/alignement
- i Bouton de sélection du grossissement

- j Logement des piles (dans la poignée) (Macro 5 seulement)
- k Poignée gauche
- l Viseur
- m Panneau de commande

Chargement des piles (Macro 5 seulement)

L'appareil utilise quatre piles AA pour alimenter les spots de mise au point (piles alcalines ou batteries rechargeables.)

Le compartiment à piles est situé dans la poignée, ouvrez la trappe (2); le récepteur de piles apparaît, détachez-le de la prise (3) et prenez-le (4). Insérez les piles dans le sens indiqué sur le récepteur (5). Remettez le récepteur à sa place et fermez la trappe.

Important: Si l'appareil doit rester inutilisé pendant une longue période, retirez les piles. L'utilisation de l'appareil sous une forte chaleur ou par grand froid raccourcit la durée de vie des piles.

Voir *Précautions sur les piles.*

Chargement du film

L'appareil photo utilise des films couleur haute définition à développement instantané: la pellicule 1200 avec douze photos par chargeur, la pellicule T990 et la pellicule GridFilm avec dix photos par chargeur. Ces films grande vitesse (640/29 × ISO), qui constituent un bon compromis entre le flash électronique et la lumière naturelle (5500 × K), permettent d'obtenir des épreuves couleur de qualité.

- 1 Appuyez sur le bouton d'ouverture de compartiment du film pour ouvrir la porte (6).
- 2 Avant de charger le film, assurez-vous que les galets d'entraînement du film sont propres. Si de la poussière ou des fragments humides de révélateur se déposent sur les galets, des tâches ou des traînées risquent d'apparaître sur les images. Pour nettoyer les galets, utilisez un chiffon doux, sans

peluches, légèrement imbibé d'eau si nécessaire (7). Faites pivoter les galets pour un nettoyage et un contrôle optimal.

3 Tenez le film par les bords, protection orientée vers le haut (8). Introduisez le film dans l'appareil.

4 Fermez le compartiment du film. La protection s'éjecte à l'avant de l'appareil (9).

Pour les pellicules à dix et douze épreuves

- E = Vide, pas de chargeur inséré
- S = Nouveau chargeur en pesctior - prêt à démarrer

- 1 = Première photo prise

- 2 = Deuxième photo prise

etc

- 11 = Orzième photo prise (apparaît en rouge - pas de photo avec un chargeur à dix épreuves)

Pour retirer un changeur vide

Ouvrez le compartiment du film et saisissez l'attache située à l'extrémité du film pour retirer ce dernier (10).

Le panneau de commandes (11)

a Bouton d'alimentation

Appuyez sur ce bouton pour mettre en marche l'appareil photo. Les flashes se rechargent. Une fois le rechargement terminé, des voyants verts s'allument pour indiquer qu'il est désormais possible de prendre des photos..

Pour arrêter l'appareil, appuyez de nouveau sur le bouton d'alimentation. Lorsqu'il n'est pas utilisé, l'appareil se met automatiquement hors tension au bout de 30 secondes. (Remarque : Vous pouvez également appuyer légèrement sur le déclencheur pour mettre l'appareil sous tension.)

b Indicateur de charge des piles (Macro 5 seulement)

Une lumière jaune apparaît lorsque les piles contenues dans la poignée sont déchargées (l'intensité des spots de mise au point diminue.)

c Témoins des flashes

Le voyant rouge clignote pendant le rechargement des flashes. Les voyants verts apparaissent ensuite pour indiquer l'état PRET.

Les flashes peuvent être mis en service ou éteints (Macro 5 seulement).

d Prise standard pour flash auxiliaire (Macro 5 seulement)

e Touche "reset" (Macro 5 seulement)

Cette touche remet l'appareil sur ses réglages de bases.

f Commande Eclaircir/Assombrir

Chaque paramètre permet de régler la puissance du flash afin d'augmenter ou de réduire l'exposition (ouverture du diaphragme f/1/3). Le voyant central correspond au réglage par défaut.

g Indicateurs de grossissement (Macro 5 seulement)

Un indicateur lumineux signale la position retenue.

h Affichage date et heure (Macro 5 seulement)

Vous permet d'imprimer la date ou l'heure sur la photo.

i Compteur du film

Pour les pellicules à dix et douze épreuves

- E = Vide, pas de chargeur inséré
 - S = Nouveau chargeur en pesctior - prêt à démarrer
 - 1 = Première photo prise
 - 2 = Deuxième photo prise
- etc
- 11 = Orzième photo prise (apparaît en rouge - pas de photo avec un chargeur à dix épreuves)

Réglage du grossissement

Réglez le bouton de sélection du grossissement à votre guise (12). Le bouton doit s'enclencher pour chaque niveau de grossissement. L'appareil ne peut pas fonctionner si le bouton est positionné entre deux réglages.

Outre le niveau de grossissement, le sélecteur affiche la distance appareil-sujet ainsi que des icônes indiquant approximativement la zone qui sera photographiée.

Mise au point et cadrage du sujet

- 1 Placez l'appareil photo à une distance approximative du sujet en fonction du grossissement choisi. Par exemple, pour un grossissement X1, placez l'appareil à 25 cm de la cible.
- 2 Appuyez légèrement (13) sur le déclencheur pour faire apparaître les témoins lumineux de mise au point/alignement. Tant que vous ne relâchez pas le bouton, les voyants restent allumés. Lorsque vous relâchez le bouton, les témoins s'éteignent au bout de 15 secondes environ. Pour les rallumer, appuyez de nouveau légèrement sur le bouton.
- 3 Deux témoins de mise au point/alignement par rapport au sujet apparaissent dans la partie supérieure de l'appareil photo (14). Approchez ou éloignez l'appareil du sujet pour que les deux témoins lumineux coïncident (15).
- 4 La zone figurant sur l'image apparaît dans le viseur. Les témoins lumineux de mise au point/alignement apparaissent au centre de l'image. Utilisez l'écran grillé (Macro 5 seulement) pour assurer un bon cadre.

Si ces témoins n'apparaissent pas, assurez-vous que l'appareil photo est à une distance correcte du sujet. Voir aussi *Dépannage*.

Prise d'une photographie

Regardez dans le viseur et recadrez le sujet en conséquence.

Utilisez l'écran grillé (Macro 5 seulement) pour assurer un bon cadre.

Appuyez à fond sur le déclencheur pour prendre la photographie (16).

Une fois le bouton relâché, la photo s'éjecte automatiquement à l'avant de l'appareil.

Posez la photo bien à plat ou tenez-la par les bords pendant qu'elle se développe. Veillez à ne pas secouer, tordre ou froisser l'image. Ne découpez ou ne détruisez jamais des images. Voir la note d'*Avertissement* sur la boîte du film.

Conseils pour la prise de photographies

- Lorsque vous prenez un portrait à 0,4X ou 0,2X de grossissement (Macro 5 seulement), tournez l'appareil à 90° pour obtenir une image verticale de tout le visage (17). Vous pouvez éteindre le flash inférieur pour obtenir un meilleur éclairage.
- Important : Maintenez toujours l'appareil photo de sorte que le panneau avant soit parallèle au sujet (18). Si l'appareil est disposé en biais par rapport au sujet (19), l'image risque de présenter des zones floues.
- Si vous êtes myope et portez des lunettes, veillez à ne pas les quitter lors de la prise de photographies afin de garantir une vision et une mise au point précises.

Commande Eclaircir/Assombrir (11f)

L'appareil photo est conçu pour garantir une exposition correcte pour des sujets soumis à une luminosité moyenne. Pour certains sujets, en revanche, il peut s'avérer nécessaire d'éclaircir ou d'assombrir l'image afin de faire ressortir des détails particuliers. Chaque paramètre du panneau correspond à une variation de l'exposition (ouverture de f/1/3 à f/1).

- Appuyez sur la flèche de surexposition pour éclaircir les images (augmenter l'exposition).
- Appuyez sur la flèche de sous-exposition pour assombrir les images (réduire l'exposition).

L'appareil possède une mémoire et sauvera vos réglages sauf si vous appuyez sur la touche "reset", (Macro 5 seulement) à ce moment il reprend ses réglages de base. Pour l'appareil Macro 3, pressez la flèche opposée jusqu'à ce que les lumières vertes s'alignent correctement avec la ligne verticale.

Affichage de la date (Macro 5 seulement)

Ce module (**11h**) vous permet d'afficher la date ou l'heure sur vos photos (**20**).

Affichez la date

- 1 Appuyez sur MOD (mode) par accoud jusqu'à ce que la séquence désirée apparaisse:

Pas d'impression	--	--	--
Mois / jour / année	8	27	'99
Jour / mois / année	27	8	'99
Année / mois / jour	'99	8	27
Jour / heure (horloge 24 heures)	2714:22		
- 2 Appuyez sur SEL pour choisir l'année, le mois ou le jour; regardez les "digit" chiffres clignotants.
- 3 Appuyez sur SET plusieurs fois (ou lâcher le bouton) jusqu'à ce que la valeur souhaitée apparaisse. Répétez l'opération jusqu'à l'affichage de l'année, du mois et du jour que vous désirez.
- 4 Appuyez sur SEL pour valider la date.

Affichez l'heure

- 1 Appuyez sur MOD jusqu'à ce que le jour et l'heure apparaissent. Les deux premiers chiffres donnent le jour, suivis par l'heure et les minutes.

- 2 Appuyez sur SEL: l'heure clignote. Appuyez sur SET pour faire avancer l'heure. Appuyez sur SEL pour valider, à présent les minutes clignotent.
- 3 Appuyez sur SET pour faire avancer les minutes. Appuyez sur SEL pour valider les minutes.
- 4 Appuyez encore sur SEL pour valider l'heure.

Eteindre cette option

Appuyez sur MOD jusqu'à ce que la série de traits apparaisse sur l'écran.

Note: Le module "date" est alimenté par les piles des poignées ou par les batteries des chargeurs photo. S'il n'y a pas de piles ou de film pendant plus de 5 minutes dans l'appareil, vous devrez reprogrammer la date et l'heure après avoir remis des piles.

Contrôle flash(11c)

Les deux flashes électroniques intégrés sont conçus pour apporter un éclairage uniforme, quel que soit le niveau de grossissement. Vous pouvez éteindre chacun des flashes pour donner un éclairage particulier (Macro 5 seulement), montrer une texture ou un relief. La lumière provenant du flash restant sera accrue automatiquement pour que l'exposition soit correcte.

Appuyez sur le contrôle flash une fois pour éteindre le flash de droite; appuyez une seconde fois pour éteindre celui de gauche; appuyez une troisième fois pour éteindre les deux flashes.

Technique d'éclairage (Macro 5 seulement)

Les deux flashes électroniques peuvent être éteints, et vous pouvez utiliser un flash. Ce flash auxiliaire sera connecté sur la prise au bas de l'appareil (21). Les photographes expérimentés se serviront de cette source lumineuse pour obtenir des éclairages spéciaux.

- Le flash auxiliaire doit être électronique - ne pas utiliser du tungstène, de l'halogène ou des lampes fluorescentes.
- Les flashes intégrés peuvent être utilisés en combinaison avec un auxiliaire.
- Un test d'exposition est alors nécessaire pour déterminer les corrections à réaliser de manière à obtenir une image correcte.

Utilisation en extérieur

Cet appareil photo est destiné principalement à une utilisation en intérieur. Dans le cadre d'une utilisation en extérieur:

- Veillez à ne pas travailler dans une zone trop exposée à la lumière du soleil afin d'éviter les risques de surexposition.
- N'exposez pas le sujet à la lumière directe du soleil. (Les témoins lumineux de mise au point/alignement sont peu visibles par temps très ensoleillé.)
- Utilisez les flashes intégrés pour avoir une répartition de la lumière harmonieuse.
- Performances optimales à 71°F (22°C).

GridFilm (film quadrillé)

Ce film présente un quadrillage créé lors de sa fabrication. Ce motif apparaît en surimpression sur chaque photo.

Ce quadrillage se compose de 17 lignes verticales et de 13 lignes horizontales.

Pour mieux vous repérer sur le quadrillage, des lettres sont associées à chaque ligne verticale (bord supérieur) et des chiffres correspondent aux lignes horizontales (bord gauche) (22). Il suffit dès lors de spécifier une combinaison lettre-chiffre pour définir des coordonnées sur l'image.

Calcul des mesures à partir du quadrillage

Pour des photos prises avec un grossissement X1, chaque case du quadrillage représente 5 mm (0,2 po.). Le tableau ci-dessous affiche la taille de chaque case correspondant à chaque niveau de grossissement.

Grossissement	Taille des cases du quadrillage	
0.2X (Macro 5 seul [†])	1 po.	25mm
0.4X (Macro 5 seul [†])	0,5 po.	13mm
1X	0,2 po.	5mm
2X	0,1 po.	2,5mm
3X	0,07 po.	1,7mm

Dépannage

Problèmes de mise au point:

Par temps très ensoleillé ou en cas de photographie de sujets très sombres, les témoins lumineux de mise au point/alignement risquent d'être peu visibles. Si vous ne parvenez pas à voir les témoins lumineux de mise au point/alignement:

- Assurez-vous que le niveau de grossissement est réglé correctement et que l'appareil est à bonne distance du sujet.
- Assurez-vous que le film n'est pas périmé.
- Réglez les témoins lumineux de mise au point/alignement sur une zone plus claire du sujet.
- Contrôlez les témoins dans la partie supérieure de l'appareil photo plutôt que dans le viseur.
- Vérifiez le témoin de piles (Macro 5 seulement); si nécessaire remplacez les piles qui se trouvent dans les poignées.

L'appareil ne fonctionne pas:

Le flash et/ou les témoins lumineux de mise au point/alignement ne fonctionnent pas si la pile est faible ou morte.

Aucune image n'apparaît dans le viseur:

Le bouton de sélection du grossissement n'est pas correctement enclenché.

Les photos sont surexposées:

L'appareil photo est peut-être trop près du sujet par rapport au niveau de grossissement sélectionné. La commande Eclaircir/Assombrir est peut-être mal réglée. Pour les ables trop claires, il peut s'avérer nécessaire de régler la commande sur Assombrir. La lumière ambiante est peut-être trop forte, ce qui affecte l'exposition.

Les photos sont sous-exposées:

L'appareil-photo est peut-être trop éloigné du sujet par rapport au niveau de grossissement sélectionné. La commande Eclaircir/Assombrir est peut-être mal réglée. Pour les sujets très sombres, il peut s'avérer nécessaire de régler la commande sur Eclaircir.

Le sujet est flou:

L'appareil photo n'est pas à la bonne distance du sujet. (Ce qui provoque également un problème d'exposition - photos trop claires ou trop sombres.)

Des parties de l'image sont floues ou le sujet est déformé:

L'appareil photo n'est pas parallèle au sujet.

Entretien*Entretien de l'objectif:*

Évitez de toucher l'objectif. Pour le dépoussiérer ou nettoyer les traces de doigts, soufflez sur l'objectif et essuyez-le à l'aide d'un papier optique propre et doux. N'utilisez pas de papier optique traité au silicone.

Températures:

L'appareil photo et le film sont conçus pour supporter des températures comprises entre 4 et 41°C (40–105°F). Il est recommandé d'entreposer l'appareil à une température inférieure à 24°C (75°F). Ne laissez jamais le film ou l'appareil photo chargé dans un lieu exposé à des températures élevées (par exemple, dans le coffre d'une voiture).

Avertissement:

Afin d'éviter les risques de décharges électriques, ne retirez pas le capot de l'appareil. Le produit ne contient aucun élément réparable par l'utilisateur. En cas d'intervention technique, contactez le centre d'assistance Polaroid le plus proche.

Avis EMC

Polaroid Corporation certifie que ce produit est conforme aux normes suivantes:

Sécurité: Directive sur les basses tensions 73/23/EEC

EMC : EN55022, Classe B ; EN50082-1 ; IEC 801-2, 801-3

Assistance technique gratuite

Pour obtenir de l'aide ou des informations complémentaires, veuillez prendre contact avec un revendeur Polaroid ou l'agence la plus proche. Aux États-Unis, appelez-nous au 1-800-343-5000 (appel gratuit), du lundi au vendredi, de 8:00 à 20:00 (heure de la côte Est). Correspondance : Customer Care Center, Polaroid Corporation, 201 Burlington Road, Bedford, MA, 01730-1406.

En dehors de États-Unis, contactez l'agence Polaroid la plus proche. (Voir la liste au dos du guide.)

Spécifications de l'appareil

<i>Grossissement</i> ¹	<i>Distance objectif- sujet</i>	<i>Longueur de focale de l'objectif</i> ²	<i>Ouverture effective</i>	<i>Profondeur de champ</i> ³
X0.2 (20%) (Macro 5)	52 po./132cm	221mm	f/20	8,8 po./22cm
X0.4 (40%) (Macro 5)	26 po./66cm	188mm	f/34	3,8 po./10cm
X1 (100%)	9,9 po./25cm	128mm	f/47	0,86 po./2,2cm
X2 (200%)	4,8 po./12cm	85,4mm	f/67	0,31 po./0,8cm
X3 (300%)	3,1 po./8cm	64mm	f/100	0,20 po./0,5cm

¹ Si le grossissement exact doit être documenté, incluez l'échelle de grandeur dans l'image (23). L'échelle et le sujet doivent être à une distance équivalente de l'appareil photo.

² L'appareil photo contient différents objectifs pour le grossissement. Chaque objectif est muni de la longueur de focale appropriée afin de réduire au minimum la déformation de perspective et de laisser davantage d'espace entre l'appareil et le sujet. La petite ouverture utilisée permet en outre d'avoir une plus grande profondeur de champ.

³ La profondeur de champ, ou distance de netteté du sujet, est limitée pour les gros plans. Si l'on prend le point le plus net comme distance de référence, la zone de profondeur de champ s'étend au-delà et en deçà de ce point dans une proportion de 50% environ.

Remarque : La vitesse d'obturation est de 1/50 seconde.

Garantie limitée

L'appareil photo Macro 3 a été dûment testé et contrôlé avant d'être expédié. Toutes les pièces sont garanties contre les défauts matériels et les défauts de fabrication pendant une période d'un an à compter de la date d'achat. Pendant cette période, tout défaut de ce type sera corrigé gratuitement par Polaroid Corporation (frais de transport uniquement). La garantie exclut les dommages résultant d'une utilisation anormale, d'une mauvaise manipulation ou d'un accident et pour lesquels les réparations seront à la charge du consommateur.

Etats-Unis : Cette garantie exclut les dommages secondaires dans certaines juridictions.

En dehors des Etats-Unis : Cette garantie n'affecte pas vos droits légaux.

Réparations

Avant de retourner un appareil photo pour une intervention technique, contactez le centre d'assistance clientèle Polaroid ou l'agence Polaroid la plus proche afin d'obtenir des informations relatives aux modalités d'expédition et de réparation. L'appareil photo doit être retourné dans son emballage d'origine ou autre conteneur suffisamment robuste, port payé et assuré, à l'agence Polaroid la plus proche.

Avis EMI (Canada)

Cet appareil numérique ne dépasse pas les limites de la classe B relatives aux émissions de bruit radiophonique, limites exposées dans les réglementations sur les interférences radio du Département des communications canadien.

Interférences radio et télévisuelles Régulations FCC

L'appareil est conforme aux régulations FCC, Part 15. Son fonctionnement est soumis aux deux conditions suivantes :

- 1 L'appareil ne doit pas provoquer d'interférences.
- 2 L'appareil doit accepter les interférences reçues, y compris celles pouvant nuire à son bon fonctionnement.

Précautions pour les piles (Macro 5 seulement)

- Les piles utilisées dans cet appareil peuvent présenter des risques: écoulements toxiques, vapeurs inflammables, élévation de température. Ne pas recharger, brûler ou détériorer les piles.
- Remplacez les piles par des modèles identiques. Utiliser des piles de modèle différent peut présenter des risques de court-circuit ou d'explosion.
- Jeter les vieilles piles. Ne pas laisser les piles à la portée des enfants. Ne pas détériorer ou brûler les piles, elles pouvaient exploser. Vérifier localement les instructions sur le recyclage ou la récupération.

Lorsque vous remplacez les piles, changez les toutes. Mélanger des piles neuves et usagées peut provoquer le déchargement de toutes les piles.

Einführung

Die Polaroid Macro 5/3 SLR-1200 ist eine vollautomatische tragbare Kamera mit einfacher Bedienung. Sie wurde insbesondere für die Dokumentation von Krankheitsbildern im medizinischen und zahnmedizinischen Bereich entwickelt, die Nahaufnahmen höchster Qualität erfordert. Da die Kamera mit Sofortbildfilmen von Polaroid arbeitet, wissen Sie sofort, ob die Aufnahme Ihren Anforderungen entspricht.

Die Macro 5 Kamera produziert Vergrößerungen mit folgenden Abbildungsmaßstäben: 1:5 (20%), 1:2,5 (40%), 1:1 (100%), 2:1 (200% und 3:1 (300%). Die Macro 3 Kamera produziert Vergrößerungen mit folgenden Abbildungsmaßstäben: 1:1 (100%), 2:1 (200% und 3:1 (300%). Die für die jeweilige Vergrößerung erforderlichen Objektive sind bereits in die Kamera integriert, so daß Sie bei einer Änderung der Vergrößerung keine Zubehörteile austauschen müssen.

Die Kamera ist mit zwei eingebauten elektronischen Blitzlichtern für gleichmäßige Ausleuchtung und einem prozessorgesteuerten System für die Belichtungsmessung ausgestattet, das bei jeder Vergrößerungen die korrekte Belichtung auswählt. Die Blitzgeräte können außerdem für seitliche Beleuchtung oder in Kombination mit fremden Lichtquellen eingesetzt (nur bei Macro 5.)

Die Kamera ist mit folgenden Komponenten kompatibel:

- Zubehörteile für 5fach-Nahaufnahmen mit und ohne Kontakt (Art Nr. 625957/623724)
- Zubehör für Aufnahmen im Mund- und Rachenraum (Art Nr. 629873)
- 0,67 Zubehörteile für kosmetische Augenhilfen ohne Kontakt (nur bei Macro 5) (Art Nr. 625942)
- Polarisationskit zur Reduzierung von Blitzlicht-Reflexionen beim Fotografieren von glänzenden bzw. Glasobjekten (Art Nr. 619909) (nur bei Macro 5)

- Das Fluoreszein-Kit für äußerliches Fotografieren in der Augenheilkunde enthält Nr. 8 UV-Sperrfilter und Nr. 47A Blau-Kontrastfilter (Art. Nr. 619908) (nur bei Macro 5)
- Weitere Funktionsmerkmale:
- Die Kamera verfügt über ein Paar rote LEDs zur Entfernungsbestimmung, mit dem Sie den optimalen Abstand für das exakte Fokussieren des Objekts ermitteln können.
 - Ein Datum/Zeit-Modul (nur bei Macro 5), mit dem Sie Datum oder Zeit auf Ihren Bildern ausdrucken können.
 - Kann als Handkamera oder auf einem Stativ bzw. Reprostand verwendet werden.
 - Ein im Sucher integriertes Rastermuster (nur bei Macro 5), welches ein zuverlässiges Fokussieren der zu fotografierenden Person oder Objekte gewährleistet.

Die Numerierungen im Text beziehen sich auf die Abbildungen am Ende des Buches.

VORSICHT (NUR BEI MACRO 5): DIESE KAMERA IST BATTERIEBETRIEBEN. UM ELEKTRISCHE SCHLÄGE ZU VERMEIDEN, SOLLTE DIE KAMERA NICHT MIT WASSER ODER ANDEREN FLÜSSIGKEITEN IN KONTAKT KOMMEN BZW. BEI BESCHÄDIGUNG AUSEINANDERGENOMMEN ODER IN BETRIEB GENOMMEN WERDEN. WEGEN NOTWENDIGER REPARATUREN NEHMEN SIE KONTAKT MIT DER NÄCHSTGELEGENEN POLAROID NIEDERLASSUNG AUF.

Komponenten der Kamera (1)

- a Auslöser
- b rechter Handgriff
- c elektronischer Blitz
- d Objektiv
- e Entriegelung für Filmladeklappe
- f Filmladeklappe
- g Stativsockel (auf der Unterseite der Kamera)

- h Entfernungsmeßstrahlen
- i Vergrößerungswahlschalter
- j Batteriefach (im Handgriff) (nur bei Macro 5)
- k linker Handgriff
- l Sucher
- m Bedienfeld

Einlegen der Batterien (nur bei Macro 5)

Für das Funktionieren der Meßstrahlen benötigt die Kamera vier AA Batterien. Es werden Alkalin-Batterien, Standard oder aufladbare, empfohlen; aufladbare NiCad Batterien können ebenfalls verwendet werden.

Das Batteriefach ist im Handgriff integriert. Beim Schieben der Batteriefach-Klappe (2) springt die Batteriehalterung hervor. Entriegeln Sie Batterieclip (3) und entfernen Sie die Batteriehalterung (4). Legen Sie die Batterien wie in der Halterung angezeigt ein (5). Setzen Sie die Halterung wieder ein, befestigen Sie den Clip und schließen Sie das Batteriefach.

Wichtig: Entfernen Sie die Batterien und lagern Sie sie separat, wenn die Kamera für längere Zeit nicht benutzt wird. Kameraeinsatz bei extremer Hitze oder Kälte wird die Batterieleistung verringern.

Siehe *Hinweise zum Umgang mit Batterien*.

Einlegen des Films

Für die Kamera werden Polaroid HighDefinition Sofortbildfarbfilm verwendet, 1200 Film mit 12 Bildern pro Packung oder T990 sowie Gridfilm mit 10 Bildern pro Packung. Diese hochempfindlichen Filme für Farb-Positive (ISO640/29x) sind sowohl für Blitzlicht- als auch Tageslichtaufnahmen (5500 x K) geeignet.

- 1 Drücken Sie auf die Entriegelung der Filmladeklappe, um die Klappe zu öffnen (6).

2 Prüfen Sie vor dem Einlegen des Films, ob die Entwicklerwalzen sauber sind. Durch Schmutz oder eingetrockneten Entwickler auf den Walzen können Unreinheiten oder Streifen auf den Bildern entstehen. Reinigen Sie die Walzen gegebenenfalls mit einem angefeuchteten weichen, fusselfreien Tuch **(7)**. Drehen Sie die Walzen beim Reinigen, und überprüfen Sie sie auf Sauberkeit.

3 Halten Sie die Filmpackung am Rand fest. Das Filmdeckblatt muß nach oben zeigen **(8)**. Schieben Sie die Packung vollständig in die Kamera ein.

4 Schließen Sie die Filmladeklappe. Das Filmdeckblatt wird an der Vorderseite der Kamera ausgeworfen **(9)**.

Für Filme mit 10 oder 12 Bildern

- E = Leer, kein Film eingelegt
 - S = Neuer Film eingelegt - aufnahmebereit
 - 1 = 1. Aufnahme wurde gemacht
 - 1 = 2. Aufnahme wurde gemacht
- usw.

- 11 = 11. Aufnahme wurde gemacht (erscheint in rot - bei Verwendung von Film mit 10 Bildern erscheint kein Bild)

Entnehmen der leeren Filmpackung

Öffnen Sie die Filmladeklappe, und ziehen Sie die Packung an der Lasche heraus **(10)**.

Bedienfeld (11)

a Einschalter

Mit diesem Schalter können Sie die Kamera einschalten. Die roten Blitzlichtmodule werden geladen. Sobald die Bereitschaftsleuchten grün leuchten, ist die Kamera aufnahmebereit.

Die Kamera wird durch erneutes Betätigen des Einschalters oder nach 30 Sekunden Inaktivität abgeschaltet. (Hinweis: Die Kamera kann ebenfalls durch leichtes Drücken des Auslösers eingeschaltet werden.)

b Anzeige bei schwachen Batterien (nur bei Macro 5)

Beim Aufleuchten des gelben Kontrolllichtes läßt die Batterieleistung der im Handgriff integrierten Batterien nach, und die Meßstrahlen werden schwächer.

c Statusanzeigen für Blitzlicht

Die rote LED blinkt während des Ladevorgangs der Blitzlichter, die grünen Anzeigen erscheinen, sobald die Blitzlichter BETRIEBBEREIT sind.

Die Blitzgeräte können wahlweise an- und ausgeschaltet werden (nur bei Macro 5).

d Externer Blitzanschluß (nur bei Macro 5).

e Rückstell-Knopf (nur bei Macro 5)

Stellt die Kamera auf den nominalen Blitzwert und die normalen Hell-/Dunkel-einstellungen zurück.

f Belichtungssteuerung

Die Helligkeit des Blitzlichts kann in Schritten von 1/3 Blendenwert erhöht oder verringert werden. Nominalwert ist dabei das Mittenlicht.

g Maßstabsanzeigen (nur bei Macro 5)

Leuchten auf und zeigen den gewählten Abbildungsmaßstab an.

h Datum/Zeit-Kontrolle und Anzeige (nur bei Macro 5)

Erlaubt es Ihnen, Datum oder Zeit auf den Bildern anzuzeigen.

i Bildzählwerk

Für Filme mit 10 oder 12 Bildern

- E = Leer, kein Film eingelegt
 - S = Neuer Film eingelegt - aufnahmebereit
 - 1 = 1. Aufnahme wurde gemacht
 - 1 = 2. Aufnahme wurde gemacht
- usw.

- 11 = 11. Aufnahme wurde gemacht (erscheint in rot - bei Verwendung von Film mit 10 Bildern erscheint kein Bild)

Einstellen der Vergrößerung

Stellen Sie den Vergrößerungswahlschalter auf den gewünschten Wert (**12**). Der Wahlschalter rastet bei jeder möglichen Vergrößerung ein. Wenn sich der Schalter zwischen zwei Einstellungen befindet, ist die Kamera nicht funktionsfähig.

Neben der Vergrößerung wird die Entfernung zwischen Kamera und Motiv angezeigt. Darüber hinaus sehen Sie Symbole, die ungefähr den im Bild enthaltenen Motivausschnitt kennzeichnen.

Fokussieren des Objekts und Auswählen des Bildausschnitts

- 1 Passen Sie den Abstand zwischen Kamera und Motiv an die gewählte Vergrößerung an. Wenn Sie beispielsweise Aufnahmen mit 1:1-Wiedergabe erstellen möchten, muß die Kamera etwa 25 cm vom Motiv entfernt sein.
- 2 Drücken Sie den Auslöser **leicht herunter**, (**13**), bis die Entfernungsanzeigen aufleuchten. Die Anzeigen leuchten so lange, wie der Auslöser gedrückt gehalten wird. Wenn Sie den Auslöser loslassen, erlischt die Anzeige nach ca. 15 Sekunden. Drücken Sie den Auslöser wieder leicht herunter, um die Anzeige erneut einzuschalten.
- 3 Wenn Sie über die Kamera hinwegschauen, sehen Sie die Lichtpunkte der beiden Entfernungsanzeigen auf dem Objekt (**14**). Vergrößern oder verkleinern Sie den Abstand zwischen Kamera und Motiv, bis die beiden Lichtpunkte genau übereinanderliegen (**15**).
- 4 Im Sucher wird der Motivausschnitt mit den beiden Entfernungsanzeigen in der Mitte angezeigt. Benutzen Sie das Raster (nur bei Macro 5), um ein zuverlässiges Eingrenzen des Objekts zu gewährleisten. Wenn Sie die Entfernungsanzeigen nicht erkennen können, befindet sich die Kamera nicht in entsprechender Entfernung vom Motiv. Weitere Informationen finden Sie auch unter *Fehlerbehebung*.

Aufnehmen des Bildes

Schauen Sie durch den Sucher, und wählen Sie den gewünschten Motivausschnitt aus.

Benutzen Sie das Raster (nur bei Macro 5), um ein zuverlässiges Eingrenzen des Objekts zu gewährleisten.

Drücken Sie den Auslöser bis zum Anschlag herunter, um das Bild aufzunehmen (**16**).

Das Bild wird automatisch an der Vorderseite der Kamera ausgegeben, sobald Sie den Auslöser loslassen.

Legen Sie das Bild auf eine flache Unterlage, oder behalten Sie es in der Hand, bis es entwickelt ist. Fassen Sie es dabei nur am weißen Rand an. Das Bild darf nicht gewedelt, gebogen oder gefaltet bzw. geschnitten oder getrennt werden. Beachten Sie die Hinweise unter *Achtung* auf der Filmverpackung.

Tips zum Fotografieren

- Bei Porträts mit Abbildungsmaßstäben von 1:5 oder 1:2,5 (nur bei Macro 5) drehen Sie die Kamera um 90° auf Vertikal-Format, um das Gesicht vollständig abzubilden (**17**). Sie können das untere Blitzgerät ausschalten, um eine bessere Beleuchtung zu erzielen.
- **Wichtig:** Die Vorderkante der Kamera muß immer parallel zum Motiv stehen (**18**). Andernfalls (**19**) kann die Aufnahme an einigen Stellen unscharf werden.
- Wenn Sie kurzsichtig sind, sollten Sie Ihre Korrekturbrille bei der Benutzung der Kamera tragen, um das Bild korrekt auszuwählen und zu fokussieren.

Belichtungssteuerung (11f)

Die Kamera ist darauf ausgerichtet, korrekte Belichtungen von Objekten durchschnittlicher Helligkeit durchzuführen. In einigen Fällen ist es unter Umständen erforderlich, die Aufnahme stärker oder schwächer zu belichten, um bestimmte

Details hervorzuheben. Die Einstellungen auf dem Bedienfeld entsprechen einer Änderung der Belichtung um 1/3 Blendenwert. Die Einstellung kann maximal um einen vollen Blendenwert geändert werden.

- Drücken Sie den hellen Pfeil, um das Bild aufzuhellen (längere Belichtung.)
- Drücken Sie den dunklen Pfeil, um das Bild dunkler zu machen (kürzere Belichtung.)

Die Kamera verfügt über eine Speicherfunktion und wird Ihre Hell-/Dunkeleinstellungen abspeichern, bis Sie den Rückstell-Knopf drücken, um zur Normaleinstellung zurückzukehren (nur bei Macro 5.) Bei Verwendung der Macro 3 drücken Sie den gegenüberliegenden Pfeil, bis das grüne Licht direkt über der vertikalen Linie liegt.

Datum/Zeit-Modul (nur bei Macro 5)

Das Datum/Zeit-Modul (**11h**) erlaubt es Ihnen, das Datum oder Tag und Zeit auf den Bildern auszudrucken (**20**).

Setzen des Datums

- 1 Drücken Sie solange MOD (Modus), bis die gewünschte Datumssequenz erscheint:

Kein Ausdruck	--	--	--
Monat / Tag / Jahr	8	27	'99
Tag / Monat / Jahr	27	8	'99
Jahr / Monat / Tag	'99	8	27
Tag / Zeit (24-Std.-Uhr)	27	14:22	

Beachten Sie: Ein "M" im Display zeigt die Monatsangabe an.

- 2 Drücken Sie SEL, um Jahr, Monat oder Tag auszuwählen (siehe blinkende Ziffer).
- 3 Drücken Sie SET mehrmals (oder halten Sie den Knopf fest), bis die gewünschte Ziffer angezeigt wird. Wiederholen Sie die Schritte 2 und 3, bis das gewünschte Jahr, Monat und Tag eingestellt sind.
- 4 Drücken Sie wiederum SEL, um das Datum einzugeben.

Setzen der Uhrzeit

- 1 Drücken Sie MOD so lange, bis der Tag / Zeit-Modus angezeigt wird. Die ersten Ziffern zeigen den Tag des Monats an, gefolgt von der Zeitangabe in Stunden und Minuten.
- 2 Drücken Sie SEL; die Stundenangabe wird aufleuchten. Drücken Sie so lange SET, bis Sie auf die entsprechende Stundenangabe kommen. Drücken Sie wiederum SEL, um die Stundenziffer einzugeben. Nun wird die Minutenangabe aufblinken.
- 3 Drücken Sie so lange SET, bis Sie auf die entsprechende Minutenangabe kommen. Drücken Sie wiederum SEL, um die Minutenziffer einzugeben.
- 4 Drücken Sie wiederum SEL, um die Uhrzeit einzugeben.

Ausschalten des Datumdisplays

Drücken Sie MOD, bis eine Reihe von Strichen im Display erscheint.

Beachten Sie: Das Datum/Zeit-Modul wird von der Batterie im Filmpack oder den im Handgriff befindlichen Batterien gespeist. Falls für länger als 5 Minuten keine Batterien oder Filmpack eingelegt sind, müssen Sie Datum und Zeit nach dem Batteriewechsel erneut eingeben.

Blitzkontrolle (11c)

Die beiden eingebauten Elektronikblitze gewährleisten eine gleichmäßige Ausleuchtung bei allen Vergrößerungen. Für seitliche Beleuchtung können Sie ein Blitzgerät ausschalten (nur bei Macro 5), um Strukturen oder Erhebungen hervorzuheben. Die Lichtleistung des verbleibenden Blitzes erhöht sich in diesem Fall, um eine korrekte Belichtung zu gewährleisten.

Drücken Sie die Blitzkontrolle, um das rechte Blitzlicht auszuschalten; drücken Sie ein zweites Mal, um das linke Blitzlicht auszuschalten. Mit dreimaligem Drücken werden beide Blitze ausgeschaltet.

Beleuchtungstechniken (nur bei Macro 5)

Beide eingebauten Blitzgeräte können abgeschaltet und fremde Lichtquellen verwendet werden. Sie werden an den externen Blitzanschluß an der Rückseite der Kamera angeschlossen (21). Erfahrene Fotografen finden es u.U. sinnvoll, mit unterschiedlichen Beleuchtungsarrangements zu experimentieren.

- Fremdlichtquellen sollten Elektronenblitzgeräte sein - Tungsten, Halogen oder Fluoreszenzlicht sollten nicht verwendet werden.
- Der eingebaute Blitz kann zusammen mit Fremdlichtquellen verwendet werden.
- Es sollten Testbelichtungen durchgeführt werden, um die entsprechende Einstellung für eine korrekte Belichtung zu erzielen.

Benutzung im Freien

Die Kamera ist für die Verwendung in Räumen vorgesehen. Für die Benutzung im Freien sind besondere Vorsichtsmaßnahmen einzuhalten.

- Der gewählte Bereich sollte keinem direkten Sonnenlicht ausgesetzt sein, um überbelichtete Aufnahmen zu vermeiden.
- Schirmen Sie die direkte Sonneneinstrahlung auf das Motiv ab. (Die Entfernungsanzeigen sind bei sehr hellem Licht schwer zu erkennen.)
- Verwenden Sie die eingebauten Blitzgeräte, um für eine einheitliche Belichtung zu sorgen.
- Der optimale Temperaturbereich liegt bei 71° F (22° C).

GridFilm

Dieser Film verfügt über ein vorbelichtetes Raster, das auf jedem mit diesem Film belichteten Bild erscheint.

Es umfaßt 17 Vertikal- und 13 Horizontallinien.

Die Vertikallinien sind am oberen Rand mit Buchstaben und die Horizontallinien mit Ziffern am linken Rand bezeichnet, um das Auffinden bestimmter Stellen auf dem Bild zu erleichtern (22). Dadurch ist es möglich, eine bestimmte Bildposition mit Hilfe von Buchstaben-/Ziffern-Koordinaten genau zu bezeichnen.

Berechnen von Abmessungen anhand des Rasters

Bei Aufnahmen im Abbildungsmaßstab 1:1 hat jedes Rasterquadrat eine Kantenlänge von 5 mm. In der nachstehenden Tabelle sind die Entsprechungen der Rasterquadrate bei den jeweiligen Vergrößerungen dargestellt.

<i>Abbildungsmaßstab</i>	<i>Kantenlänge der Rasterquadrate</i>
1:2,5 (nur bei Macro 5)	25mm
1:5 (nur bei Macro 5)	13mm
1:1	5mm
2:1	2,5mm
3:1	1,7mm

Fehlerbehebung

Probleme beim Scharfstellen:

Die Entfernungsanzeigen sind bei sehr starker Lichteinstrahlung oder auf sehr lichtschwachen Motiven nur schlecht zu erkennen. Abhilfe:

- Prüfen Sie, ob die Kamera auf die gewünschte Vergrößerung eingestellt ist und sich in korrekter Entfernung vom Motiv befindet.
- Prüfen Sie, ob das Verfallsdatum des Films möglicherweise überschritten ist.
- Richten Sie die Entfernungsanzeigen auf einen helleren Bereich des Motivs.
- Versuchen Sie, die Entfernungsanzeigen über den oberen Rand der Kamera (nicht durch den Sucher) anzupeilen.

- Überprüfen Sie die Batterieleistung (nur bei Macro 5); falls notwendig, ersetzen Sie die Batterien im Handgriff.

Kamera funktioniert nicht

Die Blitzlichter und/oder LED-Entfernungsanzeigen funktionieren nicht, wenn die Batterie des Filmpakets leer oder schwach ist.

Kein Bild im Sucher

Der Vergrößerungswahlschalter ist nicht eingerastet.

Die Bilder sind zu hell

Die Entfernung zwischen Kamera und Motiv ist für die gewählte Vergrößerung zu gering oder die Belichtungssteuerung wurde nicht korrekt eingestellt. Bei sehr hellen Objekten muß die Belichtungssteuerung auf „Dunkler“ gestellt werden. Auch helles Umgebungslicht beeinflußt die Belichtung.

Die Bilder sind zu dunkel

Eventuell ist die Entfernung zwischen Kamera und Motiv für die gewählte Vergrößerung zu groß oder die Belichtungssteuerung ist möglicherweise nicht korrekt eingestellt. Bei sehr dunklen Objekten muß die Belichtungssteuerung auf „Heller“ gestellt werden.

Unschärfe Aufnahmen

Die Entfernung zwischen Kamera und Motiv ist nicht korrekt. (Außerdem werden die Aufnahmen über- oder unterbelichtet.)

Unschärfe Bildausschnitte oder verzerrte Motive

Die Kamera steht nicht parallel zum Motiv.

Pflege und Wartung

Reinigung des Objektivs

Fassen Sie nicht auf das Objektiv. Um Fingerabdrücke oder Staub zu entfernen, hauchen Sie das Objektiv an, und wischen es vorsichtig mit einem sauberen und weichen Reinigungstuch ab. Verwenden Sie keinesfalls silikonbehandelte Brillenputztücher.

Temperatur

Kamera und Film sind für den Gebrauch bei Temperaturen von 4–41 °C ausgelegt. Lagern Sie Kamera und Film nicht bei Temperaturen über 24 °C. Setzen Sie die Filme oder die Kamera mit eingelegtem Film niemals hohen Temperaturen aus, wie sie beispielsweise im Kofferraum von Fahrzeugen entstehen.

Vorsicht

Zur Vermeidung elektrischer Schläge sollte das Kameragehäuse nicht geöffnet werden. In der Kamera befinden sich keine Komponenten, die durch den Benutzer gewartet werden können. Entsprechende Wartungsarbeiten sollten Sie durch das nächstgelegene Polaroid-Kundendienstzentrum vornehmen lassen.

EMV-Erklärung

Die Polaroid Corporation bestätigt, daß das vorliegende Produkt den folgenden Normen entspricht:

Sicherheit: Niederspannungsrichtlinie 73/23/EEC

EMV: EN55022, Klasse B; EN50082-1; IEC 801-2, 801-3

Technische Daten der Kamera

<i>Abbildungsmaßstab¹</i>	<i>Entfernung zwischen Objektiv und Gegenstand</i>	<i>Brennweite des Objektivs²</i>	<i>Tatsächliche Blendenöffnung</i>	<i>Tiefenschärfe³</i>
1:5 (20%) (Macro 5)	132 cm	221 mm	f/20	22 cm
1:2,5 (40%) (Macro 5)	66 cm	188 mm	f/34	10 cm
1:1 (100 %)	25 cm	128 mm	f/47	2,2 cm
2:1 (200 %)	12 cm	85,4 mm	f/67	0,8 cm
3:1 (300 %)	8 cm	64 mm	f/100	0,5 cm

- ¹ Wenn der genaue Abbildungsmaßstab dokumentiert werden muß, sollten Sie eine Skala in das Bild aufnehmen (**23**). Die Skala und das Objekt müssen sich in derselben Entfernung von der Kamera befinden.
- ² Die Kamera enthält Objektive für den jeweiligen Abbildungsmaßstab. Jedes Objektiv hat eine bestimmte Brennweite, die die perspektivische Verzerrung auf ein Minimum reduziert und einen größeren Arbeitsbereich zwischen Kamera und Objekt ermöglicht. Die geringe Blendenöffnung gewährleistet eine größere Tiefenschärfe.
- ³ Die Tiefenschärfe oder der Bereich, in dem das Objekt scharf abgebildet wird, unterliegt bei Nahaufnahmen bestimmten Einschränkungen. Die Tiefenschärfe erstreckt sich vom eigentlichen Schärfepunkt gleichermaßen um die Hälfte nach vorn und hinten.

Hinweis: Die Verschlusszeit der Blende ist bei dieser Kamera auf 1/50 Sek. festgelegt.

Kostenloser technischer Kundendienst

Wenn Sie Unterstützung oder zusätzliche Informationen benötigen, wenden Sie sich an einen Polaroid-Händler oder die nächstgelegene Geschäftsstelle. In den USA stehen wir Ihnen unter der gebührenfreien Telefonnummer 1-800-343-5000 von Montag bis Freitag zwischen 8 und 20 Uhr (Eastern Time) zur Verfügung. Sie können sich auch schriftlich an das Kundendienstzentrum der Polaroid Corporation in 201 Burlington Road, Bedford, MA, 01730-1406 wenden.

Wenden Sie sich außerhalb der USA an die nächstgelegene Polaroid-Geschäftsstelle. (Siehe Übersicht auf der Rückseite.)

Garantie

Ihre Macro 5/3-Kamera wurde vor dem Versand sorgfältig getestet und geprüft. Der Hersteller gewährleistet für alle Komponenten, daß für einen Zeitraum von einem (1) Jahr ab Verkaufsdatum keine Material- und Verarbeitungsfehler auftreten. Innerhalb dieses Zeitraums erfolgt eine kostenfreie Nachbesserung (mit Ausnahme der Versandkosten) derartiger Fehler durch die Polaroid Corporation. Schäden, die auf normalen Verschleiß, Mißbrauch oder Unfall zurückzuführen sind, werden durch diese Gewährleistung nicht abgedeckt. In diesen Fällen ist die Reparatur kostenpflichtig.

USA: Soweit gesetzlich zulässig, wird die Haftung für Folgeschäden ausgeschlossen.

Außerhalb der USA: Diese Gewährleistung hat keine Auswirkungen auf bestehende gesetzliche Bestimmungen.

Service

Wenden Sie sich an das Polaroid-Kundendienstzentrum oder die nächstgelegene Polaroid-Geschäftsstelle, um vor dem Einsenden einer Kamera zwecks Reparatur oder Wartung Informationen über den Versand und die Kundendienstleistungen zu erhalten. Die Kamera sollte in der Originalverpackung oder einer anderen robusten Verpackung versandt werden. Die versicherte, bezahlte Sendung ist an die nächstgelegene Polaroid-Geschäftsstelle zu adressieren.

Hinweise zum Umgang Batterien (nur bei Macro 5)

- Die in diesem Gerät verwendeten Batterien können folgende Vorfälle verursachen: Auslaufen toxischer Materialien, Austreten entflammbarer Gase/Stoffe, Erhöhung der Oberflächentemperatur. Die Batterien nicht wiederaufladen, verbrennen oder zerstören.
- Ersetzen Sie Batterien durch denselben Typ. Der Gebrauch eines anderen Batterientyps kann zu Feuer oder Explosion führen.
- Entsorgen Sie leere Batterien umgehend. Halten Sie sie von Kindern fern. Nicht auseinandernehmen oder verbrennen. Die Zelle könnte explodieren. Entsorgen Sie sie in spezielle Batteriencontainer.
- Batterien sollten gleichzeitig ersetzt werden. Das Kombinieren neuer Batterien mit leeren Batterien könnte den internen Zelldruck erhöhen und die leeren Batterien zerreißen.

Störungen des Rundfunk- und Fernsehempfangs FCC-Vorschriften

Das Gerät entspricht den Festlegungen gemäß Abschnitt 15 der FCC-Vorschriften. Der Betrieb des Gerätes unterliegt den folgenden Bedingungen:

- 1 Das Gerät darf keine elektrischen Störungen verursachen.
- 2 Das Gerät muß gegenüber allen elektrischen Interferenzen unempfindlich sein, einschließlich solcher Interferenzen, die unerwünschte Störungen zur Folge haben können.

Introduzione

La Polaroid Macro 5/3 SLR-1200 è una fotocamera portatile semplice da utilizzare e completamente automatica usata nel settore medico e odontoiatrico e per applicazioni che richiedono fotografie a distanza ravvicinata di qualità elevata. L'apparecchio utilizza pellicole istantanee a colori Polaroid autosviluppanti ed è quindi possibile verificare immediatamente se l'immagine ottenuta soddisfa le esigenze dell'utente.

La fotocamera Macro 5 produce riproduzioni a: 0,2X (20%), 0,4X (40%), 1X (100%), 2X (200%) e 3X (300%). La fotocamera Macro 3 produce riproduzioni solo a: 1X (100%), 2X (200%) e 3X (300%). Gli obiettivi necessari per i diversi formati di riproduzione sono già inseriti nell'apparecchio e non è quindi necessario aggiungere accessori se si desidera modificare le dimensioni dell'ingrandimento.

La fotocamera è dotata di due flash elettronici incorporati che forniscono un'illuminazione uniforme e di un sistema di esposizione gestito da microprocessore che imposta automaticamente il tempo di esposizione corretto per tutti i formati di ingrandimento. I lampeggiatori elettronici possono essere usati anche singolarmente per ottenere un'illuminazione laterale o in combinazione con una luce ausiliare (Solo Macro 5)

La fotocamera è compatibile con:

- Accessori Close-Up a contatto e non a contatto 5X (PID Nos. 625957/623724)
- Kit odontoiatrico intraorale (PID No. 629873)
- Accessorio non a contatto 0,67 per oftalmologia cosmetica (Solo Macro 5) (PID Nos. 625942)
- Filtro polarizzante per ridurre i riflessi del lampeggiatore elettronico fotografando una superficie di vetro o lucida (PID No. 619909) (Solo Macro 5)

- Kit alla fluoriscina per fotografia oftalmologica esterna che include un filtro giallo (8) e due filtri blu (47A) (PID No. 619908) (Solo Macro 5)
Altri elementi:
- Telemetro dotato di due LED rossi che consente di posizionare la fotocamera alla giusta distanza dal soggetto per una corretta messa a fuoco.
- Dispositivo data/ora (Solo Macro 5) che permette di stampare la data o l'ora sulle fotografie.
- L'apparecchio può essere impugnato manualmente o può essere fissato su un treppiede o uno stativo.
- Una griglia (Solo Macro 5) nel mirino aiuta inquadrare correttamente il soggetto.

I numeri indicati nel testo si riferiscono alle illustrazioni riportate alla fine del libro.

ATTENZIONE (SOLO MACRO 5): QUESTO APPARECCHIO È ALIMENTATO DA UNA BATTERIA. PER EVITARE SCOSSE ELETTRICHE, NON ESPORRE O IMMERGERE L'APPARECCHIO IN ACQUA O IN ALTRI LIQUIDI, NON SMONTARE L'APPARECCHIO O INTERVENIRE IN CASO DI CADUTE O DANNI. PER INFORMAZIONI RELATIVE ALLA RIPARAZIONE, SI PREGA DI CONTATTARE IL CENTRO ASSISTENZA CLIENTI POLAROID.

Componenti della fotocamera (1)

- a Pulsante di scatto
- b Punto di presa della mano destra
- c Flash elettronici
- d Obiettivo
- e Pulsante di rilascio sullo sportello del vano pellicola
- f Sportello del vano pellicola
- g Alloggiamento del treppiede (sul fondo dell'apparecchio)
- h Luci telemetriche

- i Manopola di selezione dell'ingrandimento
- j Scomparto della batteria (all'interno dell'impugnatura) (Solo Macro 5)
- k Punto di presa per la mano sinistra
- l Mirino
- m Pannello di controllo

Introdurre le batterie (Solo Macro 5)

L'apparecchio richiede 4 batterie di tipo AA per alimentare le luci di puntamento. Sono raccomandate batterie alcaline (standard o ricaricabili); possono essere usate anche batterie ricaricabili NiCad.

Lo scomparto delle batterie è situato nell'impugnatura; far scorrere lo sportello del porta-batterie per aprirlo (2); il contenitore delle batterie si alzerà di scatto; scolleghere il porta-batterie (3) e rimuovere il contenitore (4). Inserire le batterie nella direzione indicata (5). Riporre il contenitore, ricollegare il porta-batterie e chiudere lo sportello.

Importante: Rimuovere le batterie e conservarle separatamente se l'apparecchio non viene usato per un certo periodo di tempo. Se si usa l'apparecchio in condizioni di caldo o freddo eccessivi, la durata della batteria può essere ridotta.

Vedere il paragrafo *Precauzioni delle batterie*.

Caricamento della pellicola

La fotocamera utilizza pellicole istantanee a colori Polaroid HighDefinition autosviluppati, pellicole 1200 Film da 12 fotogrammi in ogni confezione o T990 e Gridfilm da 10 fotogrammi in ogni confezione. Tali pellicole ad alta velocità (ISO640/29°) sono bilanciate per il flash elettronico e per la luce diurna (5500K) e sono in grado di produrre positivi a colori.

- 1 Per aprire lo sportello del vano pellicola, premere l'apposito pulsante di rilascio (6).

2 Prima di caricare la pellicola, controllare che i rulli di avanzamento siano puliti. La presenza di residui di polvere o di soluzione di sviluppo a secco sui rulli può produrre macchie o righe sulle immagini. Pulire entrambi i rulli con un panno morbido senza lanugine, eventualmente inumidito con acqua **(7)**. Ruotare e controllare i rulli durante la pulizia.

3 Afferrare le estremità dalla confezione della pellicola, con il rivestimento protettivo rivolto verso l'alto **(8)**. Inserire la confezione all'interno dell'apparecchio.

4 Chiudere lo sportello del vano pellicola. Il rivestimento protettivo viene espulso dalla parte anteriore dell'apparecchio **(9)**.

Per entrambe le pellicole da 10 e 12 fotogrammi

- E = vuoto, nessuna confezione inserita
- S = nuova confezione inserita - pronta per l'uso

- 1 = scattato il 1° fotogramma
- 2 = scattato il 2° fotogramma

ecc.

- 11 - scattato l'11° fotogramma (appare in rosso - non emerge alcun fotogramma se si utilizza la confezione da 10 fotogrammi)

Rimozione di una confezione di pellicola esaurita

Aprire lo sportello del vano pellicola, afferrare la linguetta sull'estremità della confezione ed estrarla **(10)**.

Pannello di controllo (11)

a Pulsante di accensione

È necessario premerlo per accendere la macchina fotografica. Le spie rosse indicano che è in corso il caricamento del flash. Al termine di questa operazione, la macchina è pronta per l'uso e si accendono gli indicatori verdi.

Se il pulsante di accensione viene premuto una seconda volta o se l'apparecchio rimane inutilizzato per più di trenta secondi, la fotocamera si spegne automaticamente. (Nota: È possibile accendere l'apparecchio anche premendo a metà corsa il pulsante di scatto.)

b Indicatore della batteria (Solo Macro 5)

Una luce gialla si accende per indicare che le batterie contenute nell'impugnatura si stanno scaricando (anche le luci di puntamento si affievoliscono)

c Luci di stato del flash

Il LED rosso lampeggia durante il caricamento del flash. Quando si accendono le spie verdi l'apparecchio è pronto per l'uso.

I lampeggiatori elettronici possono essere accesi o spenti selettivamente (Solo Macro 5).

d Attacco PC standard per lampeggiatore elettronico ausiliario (Solo Macro 5).

e Pulsante di ripristino (Solo Macro 5)

Questo pulsante riporta l'apparecchio alla potenza nominale del lampeggiatore elettronico ed il dispositivo chiaro/scuro alla posizione centrale.

f Dispositivi di controllo della luminosità

Le impostazioni disponibili consentono di regolare la potenza del flash per aumentare o diminuire il tempo di esposizione di 1/3 f-stop. La luce centrale rappresenta l'impostazione normale.

g Indicatori di ingrandimento (Solo Macro 5)

Si accende una luce per indicare quale fattore di ingrandimento è stato selezionato.

h Display e dispositivo di controllo data/ora (Solo Macro 5)

Permette di stampare la data o l'ora sulle fotografie.

i Contafotogrammi

Per entrambe le pellicole da 10 e 12 fotogrammi

- E = vuoto, nessuna confezione inserita
 - S = nuova confezione inserita - pronta per l'uso
 - 1 = scattato il 1° fotogramma
 - 2 = scattato il 2° fotogramma
- ecc.
- 11 - scattato l'11° fotogramma (appare in rosso - non emerge alcun fotogramma se si utilizza la confezione da 10 fotogrammi)

Impostazione dell'ingrandimento

Regolare la manopola di selezione dell'ingrandimento sull'impostazione desiderata (12). La manopola si posiziona con uno scatto sulle diverse impostazioni di ingrandimento, ma l'apparecchio non funziona se la manopola è posizionata tra due impostazioni dell'obiettivo.

Oltre al tipo di ingrandimento la manopola di selezione indica anche la distanza tra l'apparecchio e il soggetto e mostra delle icone che rappresentano l'area approssimativa di un soggetto all'interno di un'immagine.

Messa a fuoco e inquadratura del soggetto

- 1 Tenere l'apparecchio alla distanza dal soggetto indicata per il tipo di ingrandimento selezionato. Per fotografare a 1X, ad esempio, è necessario che l'apparecchio si trovi ad una distanza di 25cm (9,9 pollici) dal soggetto.
- 2 Premere il pulsante di scatto **a metà corsa** (13) e attendere l'accensione delle luci telemetriche. Le luci rimarranno accese finché si terrà premuto il pulsante. Se il pulsante viene rilasciato, le luci si spengono entro 15 secondi e per riaccenderle è sufficiente premere nuovamente il pulsante di scatto.

3 Quando il soggetto viene inquadrato, osservare la posizione delle due luci telemetriche (14). Avvicinare o allontanare l'apparecchio dal soggetto finché le luci non convergono (15).

4 Nel mirino è visibile l'area compresa nell'inquadratura e le luci telemetriche al centro di essa. Usare la griglia (Solo Macro 5) per ottenere una corretta inquadratura.

Se non è possibile individuare le luci telemetriche, accertarsi che la macchina si trovi alla giusta distanza dal soggetto. Vedere anche *Risoluzione dei problemi*.

Acquisizione dell'immagine

Guardando nel mirino inquadrare nuovamente il soggetto.

Usare la griglia (Solo Macro 5) per ottenere una corretta inquadratura.

Premere il pulsante fino in fondo per scattare la fotografia (16).

Quando il pulsante di scatto viene rilasciato, la foto viene espulsa dalla parte anteriore della macchina fotografica.

Collocare la foto su una superficie piana oppure sorreggerla dai lati lunghi durante lo sviluppo. Non agitare, flettere o comprimere le foto e non ritagliarle o strapparle. Vedere le *Avvertenze* riportate sulla confezione delle pellicole.

Suggerimenti per l'acquisizione dell'immagine

- Per effettuare ingrandimenti a 0,4X o 0,2X (Solo Macro 5), posizionare l'apparecchio a 90° per ottenere un formato verticale che include l'interno viso (17). Si può anche spegnere il lampeggiatore elettronico situato in basso per ottenere un'illuminazione più corretta.
- Importante: Posizionare sempre la fotocamera in modo che il pannello anteriore sia parallelo al soggetto (18). Se la fotocamera è inclinata (19) è possibile che si ottengano foto poco nitide.

- Se si è miopi, si consiglia di usare gli occhiali da vista quando si utilizza la fotocamera.

Dispositivo di controllo della luminosità (11f)

La fotocamera è in grado di impostare automaticamente il corretto tempo di esposizione per soggetti di media luminosità. In alcuni casi è possibile che si desideri schiarire o scurire l'immagine per mettere in risalto dei dettagli specifici. Ciascuna impostazione presente sul pannello indica una variazione del tempo di esposizione da 1/3 f-stop fino a 1 f-stop intero.

- Per schiarire le immagini ed aumentare quindi il tempo di esposizione, premere la freccia chiara.
- Per scurire le immagini e diminuire il tempo di esposizione, premere la freccia scura.

L'apparecchio ha una "memoria" che memorizza le scelte effettuate finché non si preme il pulsante di ripristino (Solo Macro 5) per ritornare alla posizione normale. Se si utilizza la fotocamera Macro 3, premere la freccia opposta finché la luce verde non si allinea direttamente sulla linea verticale.

Display data/ora (Solo Macro 5) (11h)

Permette di stampare la data o il giorno/ora sulle fotografie (20).

Come selezionare la data

- 1 Premere MOD (modalità) ripetutamente finché non appare la data desiderata:

Nessuna stampa	--	--	--
Mese / Giorno / Anno	8	27	'99
Giorno / Mese / Anno	27	8	'99
Anno / Mese / Giorno	'99	8	27
Giorno / ora	27	14:22	

Nota: La lettera M nel display indica il mese.

- 2 Premere SEL per selezionare l'anno, il mese o il giorno (si vedranno le cifre lampeggiare).
- 3 Premere SET ripetutamente (o tenere premuto il pulsante) finché non appare la cifra desiderata. Ripetere le istruzioni dei punti 2 o 3 finché il giorno, il mese e l'anno desiderati non verranno selezionati.
- 4 Premere di nuovo SEL per fissare la data.

Come selezionare l'ora

- 1 Premere MOD finché non appare il giorno/ora. La prima cifra si riferisce dall'orario in ore e minuti.
- 2 Premere SEL e l'indicazione dell'ora inizierà a lampeggiare, poi premere SET per inserire l'indicazione delle ore, e di nuovo SEL per fissarle. I numeri che indicano i minuti cominceranno ora a lampeggiare.
- 3 Premere SET per inserire l'indicazione dei minuti e di nuovo SEL per fissarli.
- 4 Premere di nuovo SEL per fissare l'orario.

Escludere l'opzione data/ora

Premere MOD finché una serie di trattini apparirà sullo schermo.

Nota: Il dispositivo data/ora è alimentato dalla batteria contenuta nella pellicola o dalla batteria che si trova nell'impugnatura. Se mancano batterie o pellicole nell'apparecchio per più di 5 minuti, è necessario risSelected il dispositivo data/ora dopo aver reinserito le batterie.

Controllo dei lampeggiatori elettronici (11c)

I due flash incorporati sono in grado di fornire un'illuminazione uniforme indipendentemente dalla scala di riproduzione. Si può spegnere uno dei lampeggiatori (Solo Macro 5) per una illuminazione laterale che metta in evidenza la struttura o la trama del soggetto. La luce emessa dall'altro lampeggiatore viene aumentata per fornire comunque una corretta esposizione.

Premere il dispositivo di controllo del lampeggiatore per spegnere il lampeggiatore di destra, premerlo una seconda volta per spegnere il lampeggiatore di sinistra; premerlo una terza volta per spegnere entrambi i lampeggiatori.

Tecniche di utilizzo delle luci (Solo Macro 5)

Si possono spegnere entrambi i lampeggiatori elettronici e usare una luce ausiliaria da collegare all'attacco PC sul retro dell'apparecchio (21). I fotografi professionisti possono effettuare alcuni esperimenti con differenti aggiustamenti di luce.

- La luce ausiliaria deve essere elettronica - non usare luci al tungsteno, alogene o fluorescenti.
- Il lampeggiatore elettronico può essere combinato con la luce ausiliaria.
- Possono essere necessarie prove di esposizione per effettuare corretti aggiustamenti dell'esposizione.

Uso esterno

La fotocamera è destinata essenzialmente all'uso in ambienti chiusi. Per essere utilizzata in ambienti esterni:

- Scegliere un'area non esposta a luce solare eccessiva che potrebbe causare la sovrapposizione delle immagini.
- Riparare il soggetto dalla luce solare diretta, in quanto è difficile vedere le luci telemetriche se l'area è molto illuminata.
- Usare il lampeggiatore elettronico incorporato per ottenere corrette esposizioni.
- Risultato ottimale 71 °F (22 °C).

GridFilm

Tale pellicola presenta un motivo a griglia creato in fase di produzione. La griglia è visibile come un motivo sovrapposto sull'immagine che si desidera fotografare.

Tale griglia è composta da 17 linee verticali e 13 orizzontali.

Per agevolare l'identificazione di un punto sulla griglia, le linee verticali sono contrassegnate da lettere allineate lungo il bordo superiore e quelle orizzontali da numeri allineati sul bordo sinistro (22). È possibile delimitare una sezione dell'immagine specificando una combinazione di lettere e numeri.

Misurazione tramite la griglia

Se si scattano foto ad ingrandimento 1X, la dimensione di ciascun riquadro della griglia equivale a 5 mm (0,2 pollici). Nel grafico riportato di seguito sono indicate le dimensioni di ciascun riquadro per i vari formati di ingrandimento.

Ingrandimento	Dimensione del riquadro della griglia	
0,2X (Solo Macro 5)	1 pollici	25 mm
0,4X (Solo Macro 5)	0,5 pollici	13 mm
1X	0,2 pollici	5 mm
2X	0,1 pollici	2,5 mm
3X	0,07 pollici	1,7 mm

Risoluzione dei problemi

Difficoltà nella messa a fuoco:

Se si usa la fotocamera in un ambiente molto luminoso o se si fotografano soggetti particolarmente scuri, è possibile che risulti difficile individuare le luci telemetriche. In questo caso:

- Accertarsi che la fotocamera sia impostata sull'ingrandimento desiderato e che si trovi alla giusta distanza dal soggetto.

- Accertarsi che la pellicola non sia scaduta.
- Puntare le luci telemetriche su una zona più luminosa del soggetto.
- Inquadrare il soggetto dalla parte superiore della fotocamera anziché attraverso il mirino.
- Controllare l'indicatore della batteria (Solo Macro 5); se necessario, sostituire le batterie che si trovano nell'impugnatura.

La fotocamera non funziona

Il flash e/o il LED delle luci telemetriche non funzionano se la batteria della confezione della pellicola è parzialmente o completamente scarica.

Nel mirino non è visibile alcuna immagine

La manopola di selezione dell'ingrandimento non è posizionata in modo corretto.

Le foto risultano troppo chiare

È possibile che la fotocamera si trovi troppo vicina al soggetto per il tipo di ingrandimento selezionato. È possibile che il dispositivo di controllo della luminosità non sia stato impostato in modo corretto. Per i soggetti molto luminosi, può essere necessario impostare il dispositivo di controllo in modo da scurire l'inquadratura. L'esposizione può essere influenzata dall'intensità luce nell'ambiente.

Le foto risultano troppo scure

È possibile che la fotocamera sia troppo distante dal soggetto per l'ingrandimento selezionato. È possibile che il dispositivo di controllo della luminosità non sia stato impostato in modo corretto. Per i soggetti molto scuri, può essere necessario impostare il dispositivo di controllo in modo da schiarire l'inquadratura.

Il soggetto non è nitido

La fotocamera non si trova alla giusta distanza dal soggetto. Anche l'esposizione delle foto non è corretta e queste risultano troppo chiare o troppo scure.

Parti dell'immagine sono sfocate o il soggetto risulta mosso

La fotocamera non è parallela al soggetto.

Manutenzione e pulizia

Pulizia dell'obiettivo

Evitare di toccare l'obiettivo. Per rimuovere polvere o impronte, soffiare leggermente sull'obiettivo in modo da appannarlo e pulirlo delicatamente con un panno pulito e morbido. Non utilizzare panni per occhiali trattati al silicone.

Temperatura

Si consiglia di utilizzare la fotocamera e la pellicola ad una temperatura compresa tra 4-41° C (40-105° F). Conservare a una temperatura inferiore ai 24° C (75° F). Non lasciare la pellicola o la fotocamera carica in luoghi troppo caldi come il bagagliaio di una macchina.

Attenzione

Per evitare il rischio di scosse elettriche, non cercare di smontare la fotocamera. L'apparecchio non contiene componenti riparabili dall'utente. Per eventuali riparazioni contattare il Centro di assistenza Polaroid più vicino.

Dichiarazione EMC

La Polaroid Corporation certifica che questo prodotto è conforme agli standard seguenti:

Sicurezza: Direttiva sulla bassa tensione 73/23/EEC

EMC: EN55022, Classe B; EN50082-1; IEC 801-2, 801-3

Assistenza tecnica gratuita

Per ottenere assistenza tecnica o ulteriori informazioni, contattare il rivenditore Polaroid o l'ufficio più vicino.

Specifiche della fotocamera

<i>Ingrandimento</i> ¹	<i>Distanza obiettivo - soggetto</i>	<i>Distanza focale obiettivo</i> ²	<i>Apertura effettiva dell'obiettivo</i>	<i>Profondità di campo</i>
0,2X (20%) (Macro 5)	52 pollici/132 cm	221 mm	f/20	8,8 pollici/22 cm
0,4X (40%) (Macro 5)	26 pollici/66 cm	188 mm	f/34	3,8 pollici/10 cm
1X (100%)	9,9 pollici/25 cm	128 mm	f/47	0,86 pollici/2,2 cm
2X (200%)	4,8 pollici/12 cm	85,4 mm	f/67	0,31 pollici/0,8 cm
3X (300%)	3,1 pollici/8 cm	64 mm	f/100	0,20 pollici/0,5 cm

¹ Se è necessario documentare il formato esatto dell'ingrandimento, inserire una scala nell'immagine (23). La scala e il soggetto devono trovarsi alla stessa distanza dalla fotocamera.

² La fotocamera è dotata di obiettivi diversi per l'ingrandimento. Ciascun obiettivo fornisce la giusta distanza focale per limitare la distorsione prospettica, un maggior spazio operativo tra la fotocamera e il soggetto e un'apertura dell'obiettivo ridotta per una migliore profondità di campo.

³ La profondità di campo, ovvero l'area all'interno della quale è possibile una corretta messa a fuoco del soggetto, risulta ridotta nelle fotografie a distanza ravvicinata. Quest'area si estende davanti e dietro il punto di messa a fuoco ottimale per un raggio pari alla metà della distanza da tale punto.

Nota: La velocità di scatto della fotocamera è fissa ed equivale a 1/50 sec.

Garanzia Limitata

La fotocamera è stata accuratamente controllata e collaudata prima della spedizione. Tutti i componenti sono garantiti contro difetti di materiali e di fabbricazione per un periodo di un anno dalla data di acquisto. Durante questo periodo, qualsiasi difetto verrà eliminato dalla Polaroid Corporation senza alcuna spesa a carico del cliente ad eccezione di quelle di trasporto. La garanzia non copre danni risultanti da normale usura, uso improprio o danni accidentali per i quali sono previste spese di riparazione.

Stati Uniti: Tale garanzia non copre danni consequenziali nelle giurisdizioni dove tale esclusione è applicabile.

Fuori gli Stati Uniti: Questa garanzia non limita i diritti di legge acquisiti dal cliente.

Assistenza

Prima di restituire una fotocamera per l'assistenza, contattare il Centro di assistenza clienti o l'ufficio Polaroid più vicino per informazioni sulle modalità di spedizione e di assistenza. La fotocamera dovrebbe essere imballata nella confezione originale o in un'altra scatola resistente e spedita per posta, prepagata e assicurata all'ufficio Polaroid più vicino.

Precauzioni nell'uso delle batterie (Solo Macro 5)

- Le batterie usate possono presentare uno dei seguenti problemi: rilascio di materiale tossico e vapori infiammabili; aumento della temperatura superficiale non ricaricare o incenerire.

- Sostituire con batterie dello stesso tipo per evitare problemi d'incendio o esplosione.
- Disfarsi immediatamente delle batterie usate. Tenerle lontano dalla portata dei bambini. Non si dovrà smontare le batterie né gettarle nel fuoco. L'elemento accumulatore potrebbe esplodere. Verificare le disposizioni locali per eventuali istruzioni di smaltimento speciali.
- Sostituire contemporaneamente tutte le batterie. L'insieme di batterie nuove e scariche potrebbe aumentare la pressione interna e rompere le batterie scariche.

Interferenza alle comunicazioni radio-televisive

Requisiti FCC

Questo apparecchio è conforme alla Parte 15 delle norme FCC. Il relativo funzionamento è soggetto alle due condizioni seguenti:

- 1** L'apparecchio non dovrà causare interferenze dannose.
- 2** L'apparecchio deve sopportare eventuali interferenze che potrebbero comprometterne il funzionamento.

Introducción

La Polaroid Macro 5/3 SLR-1200 es una cámara portátil, fácil de utilizar y totalmente automática, diseñada para elaborar documentación médica y dental sobre los pacientes, y para cualquier otra aplicación que requiera fotografías en primeros planos y de gran calidad. La cámara utiliza películas instantáneas de revelado automático, por lo que el resultado de una fotografía se conoce inmediatamente después de tomarla.

La cámara Macro 5 produce reproducciones a: 0,2X (20%), 0,4X (20%), 1X (100%), 2X (200%) y 3X (300%). La cámara Macro 3 produce reproducciones a: 1X (100%), 2X (200%) y 3X (300%) solamente. Las lentes de los distintos tamaños van integradas en la propia cámara, lo que hace innecesario la instalación de accesorios cada vez que se cambia de ampliación.

La cámara lleva incorporadas dos unidades de flash electrónico, que le proporcionan una iluminación uniforme, además de un sistema de exposición controlado por microprocesador que define automáticamente el grado de exposición y el tamaño de ampliación correctos. Las unidades de flash se pueden utilizar igualmente de forma individual para conseguir una iluminación lateral o en combinación con iluminación (Macro 5 solamente.)

La cámara es compatible con los elementos siguientes:

- Accesorios de contacto y de no contacto 5X (PID Nos. 625957/623724)
- Equipo dental intraoral (PID No. 629873)
- Accesorios de no contacto 0,67 para oftalmología cosmética (PID Nos. 625942) (Macro 5 solamente)
- Juego polarizador para reducir los reflejos procedentes de la unidad de flash cuando se fotografían objetos brillantes o de vidrio (PID No. 619909) (Macro 5 solamente)

- El juego fluoresceína para fotografía oftálmica externa incluye un filtro de barrera No. 8 amarillo y dos filtros excitadores azules No. 47A (PID No. 619908) (Macro 5 solamente)
- Otras funciones incluyen:
- Localizador LED dual rojo, que facilita la colocación y enfoque de la cámara a la distancia correcta del motivo a fotografiar.
 - Módulo de fecha y hora (Macro 5 solamente) que le permitirá imprimir la fecha o la hora en la foto.
 - Se puede utilizar sujetándola a mano o utilizando un soporte para reproducciones.
 - Retículo en la pantalla del visor (Macro 5 solamente) para conseguir repetibilidad en el encuadre de los sujetos.

Los números del texto hacen referencia a las ilustraciones del final del libro.

PRECAUCION (MACRO 5 SOLAMENTE): ESTA CAMARA ESTA ALIMENTADA POR PILAS. PARA EVITAR UNA DESCARGA ELECTRICA LA CAMARA NO DEBERA SER EXPUESTA AL AGUA O SUMERGIDA EN ESTA U OTROS LIQUIDOS, NI DESMONTADA, NI TAMPOCO DEBE DE USARSE SI SE CAE O SE ESTROPEA. PARA INFORMARSE SOBRE SU REPARACION, PONGASE EN CONTACTO CON EL CENTRO DE SERVICIO TECNICO MAS CERCANO.

Piezas de la cámara (1)

- a Disparador
- b Empuñadura derecha
- c Unidades de flash electrónico
- d Lentes
- e Botón de apertura del compartimento de la película
- f Compartimento de la película
- g Zapata del trípode (en la parte inferior de la cámara)
- h Luces de ajuste
- i Mando selector de ampliación

- j Compartimento de las pilas (dentro de la empuñadura) (Macro 5 solamente)
- k Empuñadura izquierda
- l Visor
- m Panel de control

Carga de las pilas (Macro 5 solamente)

La cámara utiliza cuatro pilas AA para alimentar las luces de enfoque. Se recomienda el uso de pilas alcalinas (normales o recargables); también se pueden usar pilas NiCad recargables.

El compartimento de las pilas está situado en la empuñadura; deslice la tapa de las pilas para abrirlo (2); el soporte de las pilas salta hacia afuera. Libere la pinza de las pilas (3) y extraiga el soporte de las pilas (4). Inserte las pilas orientándolas según se indica en el soporte (5). Coloque el soporte en su lugar, presione sobre la pinza y cierre la tapa.

Importante: Extraiga las pilas y guárdelas por separado si no va a utilizar la cámara durante un largo período de tiempo. La utilización de la cámara en temperaturas extremadamente altas o bajas acorta la vida de las pilas.

Consulte *Precauciones sobre las pilas*.

Carga de la película

La cámara utiliza películas en color instantáneas de revelado automático Polaroid HighDefinition, película 1200 con 12 exposiciones por paquete o T990, y Gridfilm con 10 exposiciones por paquete. Las películas de alta velocidad (ISO640/29x) están equilibradas para admitir flashes electrónicos y luz natural (5500K), y ofrecen impresiones en color positivas.

- 1 Pulse el botón de apertura del compartimento de la película; la puerta se abre hacia abajo (6).

2 Antes de cargar la película, asegúrese de que los rodillos de procesado de película están limpios. Cualquier partícula de suciedad o restos de revelador seco en la superficie de los rodillos podría reproducirse en las fotografías en forma de manchas o de barras repetidas. Limpie los rodillos con un paño suave y sin pelusas; puede humedecerlo con agua si fuese necesario (**7**). Gire los rodillos a medida que los limpia para inspeccionar su superficie.

3 Sujete el paquete de fotografías por los bordes, con la cubierta de seguridad mirando hacia arriba (**8**). Inserte el paquete en la cámara hasta el fondo.

4 Cierre el compartimento de la película. La cubierta de seguridad se expulsará por la parte frontal de la cámara (**9**).

Tanto películas de 10 como de 12 exposiciones

- E = Vacío, no se ha insertado el paquete
- S = Se ha insertado un paquete nuevo - listo para empezar
- 1 = Se ha tomado la primera exposición
- 2 = Se ha tomado la segunda exposición etc.
- 11 = se ha tomado la undécima exposición (aparece en rojo - no surge ninguna exposición si se ha usado un paquete de diez exposiciones)

Para retirar un paquete de películas vacío

Abra el compartimento de la película, sujete la pestaña situada en el extremo del paquete y tire hacia fuera para extraerlo (**10**).

El panel de control (11)

a Botón de encendido

Púlselo para encender la cámara. Comenzarán a cargarse las unidades de flash rojas; cuando la cámara esté completa-

mente cargada y lista para tomar fotografías se iluminarán los indicadores de color verde.

La cámara se apagará al pulsar de nuevo el botón de encendido o después de 30 segundos de inactividad. (Nota: Otro método para encender la cámara consiste en pulsar suavemente el disparador.)

b Indicador de baja carga de las pilas (Macro 5 solamente)

Se enciende una luz amarilla cuando las pilas alojadas en la empuñadura van perdiendo la carga (las luces de enfoque se volverán muy tenues también.)

c Luces de estado del flash

El diodo LED rojo parpadea durante el proceso de carga de las unidades de flash; las luces de color verde se encienden cuando el estado de la máquina es READY.

Las unidades del flash se pueden conectar o desconectar selectivamente (Macro 5 solamente.)

d Contacto PC estándar para flash auxiliar (Macro 5 solamente)

e Botón de reinicialización (Macro 5 solamente)

Con este botón la cámara vuelve a los ajustes nominales de flash y de Aclarar/Oscurecer.

f Controles de luz/oscuridad

Cada valor ajusta la salida del flash para aumentar o reducir la exposición en incrementos de 1/3 f. La luz central corresponde al valor real.

g Indicadores de ampliación (Macro 5 solamente)

Se iluminan para indicar la ampliación escogida.

h Control de la fecha y la hora y su indicación en el panel (Macro 5 solamente)

Le permite imprimir la fecha o la hora en la foto.

i Contador de películas

Tanto películas de 10 como de 12 exposiciones

- E = Vacío, no se ha insertado el paquete
- S = Se ha insertado un paquete nuevo - listo para empezar
- 1 = Se ha tomado la primera exposición
- 2 = Se ha tomado la segunda exposición etc.
- 11 = se ha tomado la undécima exposición (aparece en rojo - no surge ninguna exposición si se ha usado un paquete de diez exposiciones)

Definición de la ampliación

Gire el mando selector de ampliación hasta el valor que desee (**12**). Cuando llega a un tamaño de ampliación, el mando encaja en su posición con un chasquido; la cámara no funcionará si el mando está entre dos valores de lente.

Además de la ampliación, el selector muestra la distancia existente entre la cámara y el motivo a fotografiar, así como iconos que representan el área aproximada que se incluirá en la fotografía.

Enfoque y encuadre del motivo

- 1 Sostenga la cámara a la distancia adecuada para la ampliación seleccionada. Por ejemplo, si la fotografía que se dispone a tomar tiene ampliación 1X, sostenga la cámara a 25 cm del motivo a fotografiar.
- 2 Pulse el disparador **con suavidad** (**13**); al hacerlo, se encenderán las luces de ajuste. Las luces permanecerán encendidas mientras se mantenga pulsado el botón. Si suelta el botón, las luces se apagarán transcurridos 15 segundos. Vuelva a pulsar suavemente el disparador para que se enciendan de nuevo.
- 3 Mire la parte superior de la cámara; observará las luces de ajuste sobre el motivo (**14**). Acerque o retire la cámara del motivo hasta que las dos luces converjan (**15**).

- 4 El visor muestra el área incluida en la fotografía, con las luces de ajuste en el centro de la imagen. Utilice la pantalla con el retículo (Macro 5 solamente) para asegurarse del enfoque correcto y repetible.

Si tiene alguna dificultad en localizar las luces de ajuste, asegúrese de que la distancia entre la cámara y el motivo es la correcta. Consulte también *Resolución de problemas*.

Toma de fotografías

Mire a través del visor, y vuelva a enfocar el motivo, según sea necesario.

Utilice la pantalla con el retículo (Macro 5 solamente) para asegurarse del enfoque correcto y repetible.

Pulse el disparador hasta el fondo para tomar la fotografía (**16**).

Al soltar el botón, la fotografía se expulsará automáticamente por la parte frontal de la cámara.

Coloque la fotografía en una superficie plana o sosténgala por el borde blanco mientras se revela. No agite, doble ni apriete la fotografía; recuerde que no debe cortar ni manipular las fotografías.

Consulte la nota *Precaución* sobre la caja de películas.

Consejos sobre fotografías

- Cuando haga retratos con ampliaciones de 0,4X ó 0,2X (Macro 5 solamente), gire la cámara 90° para conseguir un formato vertical de toda la cara (**17**). Es posible que desee desconectar la unidad de flash inferior para conseguir una iluminación más agradable.
- **Importante:** Sostenga siempre la cámara de modo que su panel frontal esté paralelo con respecto al motivo (**18**). Si la cámara describe un ángulo con respecto al motivo (**19**) la fotografía puede aparecer con formas irregulares.

- Si utiliza gafas correctoras de distancia no se las quite cuando utilice la cámara, de este modo podrá ver y enfocar las fotografías con más precisión.

Control de la luz y oscuridad (11f)

La cámara está diseñada para proporcionar la exposición correcta de motivos con brillo compensado. Al fotografiar algunos motivos puede ser necesario aclarar u oscurecer la imagen para resaltar ciertos detalles. Cada valor del panel indica un cambio de exposición en incrementos de $1/3 f$, hasta el valor $1 f$ completo.

- Pulse la flecha de luz para aclarar las imágenes (aumentar la exposición).
- Pulse la flecha de oscuridad para oscurecer las imágenes (disminuir la exposición).

La cámara tiene memoria y conserva los ajustes de Aclarar/Oscurecer hasta que pulse el botón de reinicialización (Macro 5 solamente) para volver al ajuste nominal. Si utiliza la Macro 3, pulse la flecha opuesta hasta que la luz verde se alinee directamente sobre la línea vertical.

Módulo fechador (Macro 5 solamente)

El módulo fechador (11h) le permite imprimir la fecha o el día y la hora en las fotos (20).

Ajuste de la fecha

- 1 Pulse MOD (modo) repetidamente hasta que aparezca la secuencia de la fecha deseada:

Sin impresión	--	--	--
Mes / día / año	8	27	'99
Día / mes / año	27	8	'99
Año / mes / día	'99	8	27
Día / hora (reloj de 24 horas)	27	14:22	

Nota: Una M en el panel indica el dígito correspondiente al mes.

- 2 Pulse SEL para seleccionar el año, mes o día (observe los dígitos intermitentes).

- 3 Pulse SET repetidamente (o manténgalo pulsado) hasta que aparezca el dígito deseado. Repita los pasos 2 y 3 hasta que se fijen el año, el mes y el día deseados.

- 4 Pulse SEL de nuevo para ajustar la fecha.

Ajuste de la hora

- 1 Pulse MOD hasta que aparezca el modo día/hora. El primer grupo de dígitos que aparece es el día del mes, seguido por la hora, en horas y minutos.
- 2 Pulse SEL y la hora empezará a parpadear. Pulse SET para avanzar a través de las horas. Pulse SEL de nuevo para ajustar la hora. Ahora parpadearán los minutos.
- 3 Pulse SET para avanzar a través de los minutos. Pulse SEL de nuevo para ajustar los minutos.
- 4 Pulse SEL de nuevo para ajustar la hora.

Para borrar la opción de la fecha

Pulse MOD hasta que aparezcan una serie de guiones en el panel.

Nota: El módulo de la fecha está alimentado por la pila del cartucho de película o por las pilas alojadas en la empuñadura. Si no hay pilas o película en la cámara durante más de 5 minutos, será necesario que vuelva a ajustar la fecha y la hora después de colocar las pilas.

Control del flash(11c)

Las dos unidades de flash electrónico integradas han sido diseñadas para proporcionar una luz uniforme en cualquier escala de reproducción. Puede desconectar cualquiera de las unidades de flash (Macro 5 solamente) si necesita iluminación lateral para mostrar la textura o la elevación. La potencia de la luz de la unidad de flash que queda conectada se incrementará para conseguir la exposición correcta.

Pulse una vez el control del flash para desconectar el flash derecho; pulse una segunda vez para desconectar el flash izquierdo; pulse una tercera vez para desconectar ambas unidades de flash.

Técnicas de iluminación (Macro 5 solamente)

Las dos unidades de flash integradas se pueden desconectar para utilizar una iluminación auxiliar. La luz auxiliar está conectada al contacto PC situado en la parte posterior de la cámara (21). Los fotógrafos avanzados pueden encontrar de utilidad el hecho de experimentar con diferentes configuraciones de iluminación.

- La luz auxiliar debe de ser de flash electrónico. No use luces de tungsteno, halógenas o fluorescentes.
- El flash integrado se puede utilizar en combinación con la iluminación auxiliar.
- Puede ser necesario realizar exposiciones de prueba para determinar los ajustes correctos.

Uso en exteriores

La cámara se ha concebido para emplearla en interiores principalmente; por tanto, si debe utilizarse en exteriores:

- Seleccione un área que no esté sometida a luz solar brillante, ya que puede ocasionar imágenes sobreexpuestas.
- Proteja el motivo de la luz solar directa mediante una sombra. (Resulta difícil ver las luces de ajuste en ambientes de luz muy brillante.)
- Utilice las unidades de flash incorporadas para asegurar una exposición consistente.
- Rendimiento óptimo a 22° C

GridFilm

Esta película va provista de una trama de rejilla, creada durante el proceso de fabricación. La trama de rejilla aparece como una capa superpuesta en cualquier fotografía tomada con la película.

La trama se compone de 17 líneas verticales y 13 horizontales.

Para ayudarle a definir la ubicación de la rejilla, las líneas verticales se identifican mediante letras situadas en el borde superior; para las horizontales se utilizan números dispuestos en el lateral izquierdo (22). Para especificar la ubicación de una imagen, puede utilizar la combinación de una letra y un número.

Cálculo de medidas mediante la trama de rejilla

Al tomar fotografías con ampliación 1X, cada cuadro de la rejilla representa 5 mm. El gráfico siguiente muestra los valores representados por cada cuadro en fotografías tomadas con cada ampliación.

<i>Ampliación</i>	<i>Valor del cuadro de la rejilla</i>
0,2X (Macro 5 solamente)	25mm
0,4X (Macro 5 solamente)	13mm
1X	5mm
2X	2,5mm
3X	1,7mm

Resolución de problemas

Dificultad al enfocar:

Las luces de ajuste pueden resultar difíciles de ver cuando la cámara se utiliza bajo una luz muy brillante o se fotografian motivos muy oscuros. Si tiene dificultades para ver las luces de ajuste:

- Asegúrese de que la cámara está definida para el grado de ampliación apropiado y que se encuentra a la distancia correcta del motivo.
- Asegúrese de que la película no esté caducada.
- Mueva las luces de ajuste a una zona del motivo más clara.

- Mire por encima de la cámara, en lugar de hacerlo a través del visor.
- Compruebe el indicador de las pilas (Macro 5 solamente); si es necesario reemplace las pilas alojadas en la empuñadura.

La cámara no funciona

El diodo LED del flash y/o las luces de ajuste no podrán funcionar si la batería del paquete de películas tiene poca carga o está agotada.

No hay imágenes en el visor

El mando selector de ampliación se encuentra entre dos valores.

Imágenes demasiado claras

La distancia entre la cámara y el motivo es insuficiente para la ampliación seleccionada. Es posible que el control de luz/oscuridad esté mal definido. Los motivos muy claros precisan que el control esté en dirección al punto de más oscuridad. Es posible que las luces de ambiente sean muy brillantes y afecten a la exposición.

Imágenes demasiado oscuras

La distancia entre la cámara y el motivo es excesiva para la ampliación seleccionada. Es posible que el control de luz/oscuridad esté mal definido. Los motivos muy oscuros precisan que el control esté en dirección al punto de más claridad.

Motivos no precisos

La distancia entre la cámara y el motivo no es la adecuada. (En tal caso, la exposición de las imágenes será también incorrecta: demasiado claras o demasiado oscuras.)

Parte de la imagen desenfocada, o motivo distorsionado

La cámara no está paralela con respecto al motivo.

Cuidado y mantenimiento

Cuidado de las lentes

Evite tocar las lentes. Para eliminar el polvo o las huellas de dedos de las lentes, eche el aliento sobre ellas y límpielas con un papel facial limpio y suave. No utilice papeles de silicona tratados.

Temperatura

La cámara y la película están diseñadas para su empleo a temperaturas de 4 a 41 °C. Almacenar a temperaturas inferiores a 24 °C. Jamás deje la película o la cámara cargada en ambientes donde el calor pueda ser excesivo (por ejemplo, el portaequipajes de un coche).

Precaución

Para evitar descargas eléctricas, no retire las cubiertas de la cámara. En el interior no hay ninguna pieza que requiera la intervención del usuario. Si precisa asistencia técnica, póngase en contacto con el Centro de servicio de Polaroid más próximo.

Declaración EMC

Polaroid Corporation certifica que este producto cumple las normas siguientes:

Seguridad: Directiva sobre bajo voltaje 73/23/EEC

EMC: EN55022, Clase B; EN50082-1; IEC 801-2, 801-3

Especificaciones de la cámara

<i>Ampliación¹</i>	<i>Distancia de las lentes al motivo</i>	<i>Longitud focal de la lente²</i>	<i>Abertura efectiva de la lente</i>	<i>Profundidad de campo³</i>
0,2X (20%) (Macro 5)	132cm	221mm	f/20	22cm
0,4X (40%) (Macro 5)	66cm	188mm	f/34	10cm
1X (100%)	25cm	128mm	f/47	2,2cm
2X (200%)	12cm	85,4mm	f/67	0,8cm
3X (300%)	8cm	64mm	f/100	0,5cm

- ¹ Si la ampliación exacta debe ir documentada, incluya una escala en la imagen (23). La escala y el motivo deben estar a la misma distancia de la cámara.
- ² La cámara contiene lentes separadas para cada ampliación. Cada lente tiene la longitud focal apropiada para reducir al mínimo la distorsión de las perspectivas y proporcionar más espacio de trabajo entre la cámara y el motivo, y una abertura de lente pequeña para mejorar la profundidad de campo.
- ³ La profundidad de campo, o zona de distancia en la que el motivo se encuentra en el enfoque preciso, es más reducida en las fotografías de primeros planos. La zona ocupará un espacio aproximadamente igual a la mitad de su propia distancia por delante y por detrás del punto de enfoque preciso.

Nota: La cámara tiene una velocidad de disparo fija de 1/50 segundos.

Asistencia técnica gratuita

Si necesita asistencia o información adicional, póngase en contacto con el distribuidor o la oficina de Polaroid más cercana. Para asistencia en Estados Unidos, puede llamar al teléfono gratuito 1-800-343-5000, de lunes a viernes y de 8 de la mañana a 8 de la tarde (hora del este). O bien, puede escribir al Customer Care Center, Polaroid Corporation, 201 Burlington Road, Bedford, MA, 01730-1406.

Para asistencia fuera de Estados Unidos, póngase en contacto con la oficina de Polaroid más cercana. (Consulte la lista al dorso.)

Garantía limitada

La cámara Macro 5/3 SLR-1200 ha sido extensamente verificada e inspeccionada antes de su distribución. Todas las piezas están garantizadas contra defectos materiales y de mano de obra por un año completo desde la fecha de adquisición. Durante este periodo, cualquiera de los defectos mencionados será reparado por Polaroid Corporation sin cargo alguno, excepto los costes de transporte. La garantía excluye los daños ocasionados por desgaste, manipulación incorrecta o accidente, en cuyo caso deberá abonar los cargos correspondientes a las reparaciones necesarias.

Estados Unidos: Esta garantía excluye los daños derivados en jurisdicciones donde sean aplicables.

Fuera de Estados Unidos: Esta garantía no afecta sus derechos legales.

Servicio

Antes de devolver la cámara para cualquier servicio, solicite asesoramiento sobre servicio técnico y procedimientos de envío al Polaroid Customer Care Center o a la oficina de Polaroid más cercana. La cámara debe ir empaquetada en su embalaje de cartón original o cualquier otro contenedor similar; el envío, a portes pagados y con seguro, se hará a la oficina Polaroid más cercana.

Precauciones sobre las pilas (Macro 5 solamente)

- Las pilas que utiliza este aparato pueden presentar alguno o algunos de los riesgos siguientes: secreción de materiales tóxicos, vapores inflamables y aumento de su temperatura. No las recargue, ni las queme ni las destruya.
- Sustituya las pilas por otras del mismo tipo. La utilización de otro tipo de pilas puede presentar el riesgo de fuego o explosión.
- Deseche las pilas usadas con rapidez. Manténgalas alejadas de los niños. No las desmonte no las eche al fuego, ya que podrían estallar. Infórmese de las normas locales por si existieran instrucciones especiales para deshacerse de ellas.
- Cuando sustituya las pilas, cambie todas al mismo tiempo. La mezcla de pilas nuevas con otras descargadas puede incrementar la presión interna y hacer que estallen las pilas descargadas.

Interferencias de radio y televisión Reglamento de la FCC

Este dispositivo cumple la Parte 15 del reglamento de la FCC. El funcionamiento está sujeto a las dos condiciones siguientes:

- 1 Este dispositivo no debe causar interferencias lesivas.
- 2 Este dispositivo debe aceptar cualquier interferencia que reciba, incluyendo las que puedan ocasionar un funcionamiento no deseado.

ご使用前に必ずお読みください。

カメラご使用上の注意

⚠ 警告 このマークは、製品を正しくお使いいただけなかった場合、製品の使用者等が死亡または重傷を負う可能性があることを示す警告マークです。

⚠ 注意 このマークは、製品を正しくお使いいただけなかった場合、製品の使用者等が軽傷または中程度の障害を負う可能性がある状況、または物的損害が予想される危険状況を示す注意マークです。

⚠ 警告 ● カメラ内部のストロボフラッシュ部分には高電圧回路がありますので絶対にカメラを分解しないでください。

- フィルムは切り取ったり、剥がしたりした場合、現像剤によるアルカリ性炎症をおこす場合がありますので未使用時、撮影後を問わず、フィルムを分解しないでください。もし、皮膚に付着した場合は、すぐに拭き取り水で洗い流し、医師の診療を受けてください。またフィルム保管場所も乳幼児の手の届かない所にしてください。
- 使用済みフィルムのカートリッジ内の電池を火の中に入れて、ショート、分解、過熱、充電しないでください。電池が破裂して火災、けがの原因になります。

⚠ 注意 ● ストロボを使用して撮影するときは、目の近くで発光させないでください。視力障害（特に乳幼児）を起こす危険性があります。

- レンズを透して太陽や強い光源を直接見ないでください。視力障害の原因となります。

ご使用前に必ずお読みください。

ボラロイドマクロ5/3 SLR-1200は、操作の簡単なフルオートのポータブルカメラです。一般医療現場や歯科における患者の症例写真、産業界における生産現場や品質管理の記録写真、法物的証拠写真など、接写撮影を必要とするあらゆる分野でお使いいただけます。自動現像タイプのボラロイド・インスタントカラーフィルムを使用しますので、撮った写真を、すぐにその場で確認できます。

マクロ5は0.2倍(20%)、0.4倍(40%)、等倍(100%)、2倍(200%)、3倍(300%)、マクロ3は等倍(100%)、2倍(200%)、3倍(300%)の撮影倍率でマクロ写真が得られます。各倍率で撮影に必要なレンズは、すべて内蔵されていますので、倍率を変える度にアクセサリを装着する必要はありません。

常に最適光量を発する2灯のストロボと、各倍率で正確な露出値をカメラにセットするマイクロプロセッサ制御の露出計を内蔵し、ストロボは、個々にサイドライトとして、あるいは、補助ストロボと組み合わせても使用できます(マクロ5のみ)。

次のアタッチメントを使用できます。

- 5倍アタッチメント (PID番号 625957/623724)
 - 口腔内撮影用キット (PID番号 629873)
 - 眼科整形術用の非接触0.67アタッチメント (PID番号 625942) (マクロ5のみ) ※
 - 光沢のある被写体やガラス質の被写体を撮影するときのストロボの反射光を減じる偏光キット (PID番号 619909) (マクロ5のみ)
 - #8フィルターと#47Aフィルターからなる外眼部撮影用の蛍光キット (PID番号 619908) (マクロ5のみ) ※
- その他の特長：

- カメラを正確な被写体距離にセットするのに役立つ2投光レンジファインダー
- 日付または時刻を写真に写し込める日付表示モジュール (マクロ5のみ)
- 撮影は、手持でも、三脚使用でも、コピースタンド使用でも可能

※ 日本での発売は未定

- 被写体のフレーミングに便利なグリッド（格子入り）ファインダースクリーン（マクロ5のみ）

この使用説明書の中の図番号は、巻末の説明図をご覧ください。

注意（マクロ5のみ）：このカメラの電源は電池を使用します。感電を避けるため、カメラが水や他の液体にぬれたり、つかったりしないようにしてください。また、カメラは分解しないでください。カメラを落としたとき、こわれたときは操作しないでください。修理については最寄りの弊社支店・営業所にお尋ねください。

カメラ各部の名称（図1）

- a シャッターボタン
- b 右ハンドグリップ
- c ストロボ
- d レンズ
- e フィルムドア開閉ボタン
- f フィルムドア
- g 三脚ネジ穴（底面）
- h 測距光窓
- i 倍率セレクターノブ
- j 電池室（ハンドグリップ内）（マクロ5のみ）
- k 左ハンドグリップ
- l ファインダー窓
- m コントロールパネル

電池を入れる（マクロ5のみ）

カメラは測距光用に単3電池4個が必要です。アルカリ電池（標準型または充電型）を使用してください。再充電できるニッケルカドミウム電池も使用できます。

電池室はハンドグリップ内にあり、電池室のふたをスライドして開けると（図2）電池ホルダーが出てきます。電池止め具のスナップを外すと（図3）電池ホル

ダーが取り出せます（図4）。電池ホルダーの上に表示されている向きに電池を入れてください（図5）。電池ホルダーを元にもどし、止め具のスナップをとめ、電池室のふたを閉めます。

重要：長期間カメラを使用しないときは、カメラから電池を取り出し、別に保管してください。極端に高温または低温でカメラを使用すると、電池の寿命は短くなります。

「電池についての注意」参照。

フィルムを入れる

このカメラには自動現像タイプのポラロイド・インスタントカラーフィルム、「1200フィルム」（1パックはフィルム12枚）または「スペクトラフィルム」、「T990」、「グリッドフィルム」*（1パックはフィルム10枚）を使用します。これらのフィルム（ISO640/29°）は、ストロボ光ならびに昼光（5500°K）にバランスよくカラープリントをつくります。

* 日本での発売は未定

- 1 フィルムドア開閉ボタンを押すと、ドアが開きます（図6）。
- 2 フィルムを入れる前に、フィルム現像ローラーがきれいであるか点検してください。汚れや乾いた現像液がローラーに付いていると、写真に等間隔の“まだら”や“しま”状態を生じる原因となります。柔らかな、けば立たない布を湿らせて、両ローラーをきれいに拭いてください（図7）。きれいに拭き、点検し（汚れが残っていないことを確かめ）ながら、ローラーを回します。
- 3 フィルムパックの端を持ち、遮光板を上にし（図8）、フィルムパックをカメラの奥まで滑りこませます。
- 4 フィルムドアを閉めます。遮光板はカメラの前面から排出されます（図9）。

フィルム10枚と12枚の両フィルムパック

- E = 空（フィルムパック未装填）
- S = 未使用のフィルムパック装填済み（撮影可能）
- 1 = 1枚目を撮影済み
- 2 = 2枚目を撮影済み
- ⋮
- 11 = 11枚目を撮影済み（赤色表示 - 10枚パックの場合はフィルム切れ）

撮り終わったフィルムバックを取り出す

フィルムドアを開け、バックの端のタブをつかんで引き出します (図 10)。

コントロールパネル (図 11)

a 電源ボタン

ボタンを押すと電源オンになります。ストロボの充電が始まり、カメラが撮影可能になると緑色ランプが点灯します。

ボタンをもう一度押すか、30 秒間使わないと、電源オフになります。(付記: カメラは、シャッターボタンを軽く押すことで、またオンにもどります。)

b 電圧低下インジケータ (マクロ 5 のみ)

ハンドグリップ内の電池が消耗すると (測距光も淡くなる)、黄色ライトが点灯します。

c ストロボ状態表示ライト

ストロボ充電中は赤色 LED が点滅し、撮影可能状態 (READY) になると緑色灯が点灯します。

ストロボは個々のオン/オフが自由に選択できます (マクロ 5 のみ)。

d 補助ストロボ用標準型 PC ソケット (マクロ 5 のみ)

e リセットボタン (マクロ 5 のみ)

ストロボコントロールと、明/暗コントロールの設定を元に戻します。

f 明/暗コントロールボタン

1 回押すごとに、ストロボ光量を 1/3 絞らず増減します。標準では中間に設定されています。

g 倍率インジケータ (マクロ 5 のみ)

選択した倍率値を表示します。

h 日付/時刻表示ボタン (マクロ 5 のみ)

写真に日付または時刻を写し込むことができます。

i フィルムカウンター

フィルム 10 枚と 12 枚の両フィルムバック

- E = 空 (フィルムバック未装填)

- S = 未使用のフィルムバック装填済み (撮影可能)
- 1 = 1 枚目を撮影済み
- 2 = 2 枚目を撮影済み
- ⋮
- 11 = 11 枚目を撮影済み (赤色表示 - 10 枚バックの場合はフィルム切れ)

倍率の設定

倍率セレクターノブを回して撮影したい倍率の目盛に合わせます (図 12)。クリックが働き、ノブは正しくセットされます。しかし、ノブが目盛と目盛の間にある場合は、カメラは作動しません。

倍率の他に、セレクターは、カメラと被写体間の距離と、画面に入る被写体のおおよその範囲を示す絵記号を表示します。

ピント合わせとフレーミング

- 1 選択した倍率に対するおおよその被写体距離にカメラを構えます。例えば、等倍 (1×) で写真を撮る場合、カメラは被写体から 25 cm (10 インチ) の位置です。
- 2 シャッターボタンを軽く押すと (図 13) 測距光が発し、ボタンを押している間は点灯します。指を離すと 15 秒後に光が消えます。もう一度点灯するにはシャッターボタンを軽く押します。
- 3 カメラ越しに見て、2本の測距光が被写体に当たっているか確認します (図 14)。カメラの位置を前後に動かして、2つの光がひとつに重なるようにします (図 15)。
- 4 ファインダーは画面の撮影範囲を示しますが、その中心には測距光が見えます。被写体のフレーミングを確実にするには、グリッド (格子入り) ファインダースクリーンを使用してください (マクロ 5 のみ)。

測距光が見にくい場合は、カメラが正しい被写体距離にあることを確認してください。「トラブルの原因と対策」の項参照。

撮 影

ファインダーをのぞき、被写体のフレーミングを再調節します。

被写体のフレーミングを確実にするには、グリッド (格子入り) ファインダースクリーンを使用してください (マクロ 5 のみ)。

シャッターボタンを奥までいっぱいを押すと、撮影されます (図 16)。

シャッターボタンを離すと、プリントがカメラの前面から自動的に排出されてきます。

現像中は、プリントを平らなところに置くか、端の広い部分をもって平らに持ち、振ったり、曲げたり、ねじったりしないようにし、絶対に切ったり、はがしたりしないでください。フィルム化粧箱の「注意」をご覧ください。

撮影のヒント

- 0.4 倍もしくは 0.2 倍(マクロ 5 のみ)でポートレート写真を撮影するときは、カメラを 90 度回して縦位置にすると、顔を全部入れることができます (図 17)。下部のストロボをオフにし、適当なライティングにすることもできます。(「ストロボ制御」参照)
- 重要:** カメラの前面が常に被写体と平行になるようにしてください (図 18)。カメラが傾いていると (図 19)、画像の鮮明度が均一になりません。
- 遠景を見るのに眼鏡をかけている場合は、正確なトリミングやピント合わせをするためファインダーをのぞくときも眼鏡をかけてください。

明/暗コントロール (図 11f)

カメラは、平均的に明るい被写体に対して正確な露出を行います。被写体によっては、特殊なディテールを強調するため、画面の明/暗調節の必要があります。そのときは、パネル上の明/暗コントロールボタンを押すと、その度に 1/3 絞りの露出変化が得られ (上部 LED で表示)、最大 1 絞りまでの明/暗露出補正が可能です。

- 画面を明るくする (露光を増やす) には、露光増量矢印ボタンを押します。
- 画面を暗くする (露光を減じる) には、露光減量矢印ボタンを押します。

カメラはメモリー機能があり、標準設定に戻すためにリセットボタンを押さない限り、その設定値が保持されます (マクロ 5 のみ)。マクロ 3 では、逆の矢印ボタンを緑色灯が垂直線に重なるまで押して、標準設定に戻します。

日付表示モジュール (マクロ 5 のみ)

日付表示モジュール (図 11h) は、年月日、または、日/時分を写真左上に写し込むことができます (図 20)。

日付の設定

- MOD (モード) ボタンをくり返し押して、設定する日付を表示させてください。

日付表示なし	--	--	--
月/日/年	8	27	'99
日/月/年	27	8	'99
年/月/日	'99	8	27
日/時 [分] (24 時)	27	14:22	

- SEL (select 選択) を押して「年」「月」「日」を選びます。(その位置が点滅)
- SET ボタンをくり返し押し (または、押し続け) 設定する数字を表示させます。「年」「月」「日」の表示がすべて設定されるまで、手順 2、3 をくり返します。
- SEL をもう一度押して日付をセットします。

日時の設定

- 日/時[分]モードが表示されるまで MOD を押します。ディスプレイに最初にセットするのは月の何日という「日」です。(SET をくり返し押して「日」の数字を出し、SEL を押してセットします。) 以後「時」「分」と続きます。
- SEL を押すと「時」の位置が点滅します。SET を押して所要の時間の数字 [24 時間表示] を出し、SEL をもう一度押してセットすると「分」の位置が点滅します。
- SET を押して「分」の数字を出し、SEL を押して「分」をセットします。
- SEL をもう一度押して日時をセットします。

日付表示が不要の場合

ディスプレイにダッシュ "-- -- --" が現われるまで MOD を押します。

注記: 日付表示モジュールの作動には、フィルムパック内の電池、あるいはハンドグリップ内の電池を使用しています。5 分以上カメラにフィルムが入っていないく、また、電池も切れている場合は、まず電池を交換してから日/時のセットをし直してください。

ストロボ制御 (図 11c)

2 灯の内蔵ストロボは、全撮影倍率にわたって均一な光量を発します。質感や凹凸を表現するため補助光が必要なときは、一方のストロボを消すことができます (マクロ5のみ)。1 灯のストロボから出る光量は、適正露出を与えるように (自動的に) 増量されます。

右ストロボをオフにするには、ストロボコントロールボタンを1回押しします。2度押すと今度は左ストロボがオフになります。3度目に押すと、両方のストロボがオフになります。

ライティング・テクニック (マクロ5のみ)

2 灯の内蔵ストロボはいずれもオフにでき、補助光が使用できます。補助光はカメラの背面にある PC ソケット (図 21) に接続します。これは、様々なライティングを試すのに有用です。

- 補助光は必ずストロボ光を使用してください。タングステンランプ、ハロゲンランプ、蛍光灯は使用できません。
- 内蔵ストロボと補助光を組み合わせて使用することもできます。
- 適正な露出調節と適切な明／暗補正值を定めるには、テスト露光が必要です。

戸外使用

カメラは主として室内使用向きに設計されています。したがって、戸外使用の場合は：

- 露出オーバーの原因となりますから、直射日光の当たらない場所を選んでください。
- 直射日光が当たらないように被写体を覆ってください。(極端に明るい光の中では測距光は見づらくなります。)
- 内蔵のストロボを使用して一定の露出を確保してください。
- 最適温度 22°C (71°F)。

グリッド (格子入り) フィルム (日本での発売は未定)

このフィルムはグリッド (格子) 模様が入っています。グリッドは、撮影したどんな画像上にも、重ねて入ります。

模様は 17 本の垂直線と 13 本の水平線で構成されています。

グリッド上の位置を明示するには、垂直線 (の区間) は上端に左右に並んだ英文字によって、水平線 (の区間) は左端に上下に並んでいる番号数字によって、確定されます (図 22)。撮影画面上の位置は、この文字と数字の組み合わせで明示することができます。

グリッドによる測定

等倍で撮影したとき、各グリッドは 5 mm (0.2 インチ) の正方形を表します。下の表は、各倍率で撮影された写真の正方形で表される値を示しています。

撮影倍率	格子の正方形の1辺の値	
0.2 倍 (マクロ5のみ)	25 mm	1 インチ
0.4 倍 (マクロ5のみ)	13 mm	0.5 インチ
等倍	5 mm	0.2 インチ
2 倍	2.5 mm	0.1 インチ
3 倍	1.7 mm	0.07 インチ

トラブルの原因と対策

ピント合わせがしづらい：

測距光は、極端に明るいところでカメラを使ったり、極端に暗い被写体を撮影するとき、見づらいことがあります。測距光が見にくい場合は、次のようにしてください。

- カメラと被写体の距離がセットされている倍率と正しい距離にあることを確かめます。
- フィルムの有効期限が切れていないことを確かめます。
- 測距光を被写体の明るい部分に当てます。
- ファインダーを通して被写体を見るのではなく、カメラの上から被写体を見るようにします。
- 電圧低下インジケータをチェックし、必要ならハンドグリップ内の電池を交換します (マクロ5のみ)。

カメラが作動しない：

フィルムパック内の電池が消耗していたり切れていると、ストロボが充電されず、LEDの測距光が機能しなくなる場合があります。

ファインダー内に像が見えない：

倍率セレクターノブが正しくセットされず中間位置にある場合です。

写真が明るすぎる（露出オーバー）：

カメラが設定倍率に対して被写体に近すぎる場合、または、明／暗コントロールのセットが正しくない場合です。極端に明るい被写体は、暗目の補正值にセットしてください。また、露出に影響を与える強い周辺光がないか点検してください。

写真が暗すぎる（露出アンダー）：

設定した倍率に対して被写体が遠い場合です。明／暗コントロールのセットが不適切かもしれません。極端に暗い被写体は明る目に補正をセットする必要があります。

被写体の写りがシャープでない：

カメラの被写体距離の間違いです。(写真の露出も不正確でアンダーかオーバーかいずれかになっているはずです。)

写真の部分的なボケ、または被写体画像のゆがみ：

被写体に対してカメラが平行になっていない場合です。

手入れと保守

レンズの手入れ：

レンズには手を触れないでください。ホコリや指紋をとるには、息を吹きかけ、清潔な柔らかな布で拭いてください。シリコン処理した眼鏡用のティッシュ類は使用しないでください。

使用温度：

カメラとフィルムは4～41℃(40～105°F)の温度で使用してください。保管は24℃(75°F)以下の温度でしてください。フィルムやフィルムを装填したカメラを(車の中のような)温度が高いところに放置しないでください。

注意：

感電の危険を避けるため、カメラの外カバーは外さないでください。内部はお客様が分解・修理は行わないでください。修理は最寄りの弊社支店・営業所にご依頼ください。

EMCの記述

ポラロイド社は本製品が次の規格に適合していることを保証いたします。

安全基準：低電圧指令 73/23/EEC

EMC (電磁環境両立)：EN55022、クラスB；EN50082-1；IEC 801-2, 801-3

無償サポートについて

サポートや追加情報が必要な場合は、最寄りの弊社支店、または営業所にお問合せください。米国の場合は、営業時間内にフリーダイヤル1-800-343-5000までお問合せください(営業時間：月曜日～金曜日 東部時間午前8:00～午後8:00)。または、次の宛先に郵送にてお問合せになることもできます。Customer Care Center, Polaroid Corporation, 201 Burlington Road, Bedford, MA, 01730-1406.

米国以外の場合は、最寄りの弊社支店または営業所にお問合せください。(巻末の支店および営業所の一覧を参照してください。)

製品保証

お求めの製品は、出荷前に十分にテストと検査を受けています。すべての部品は、材質ならびに製造上の故障について、購入日から1年間の保証となっております。この保証期間中は、上記のいかなる故障もポラロイド社によって無償で修理をいたします。ただし、輸送費用は除外します。この保証には自然損耗、誤操作、ないし事故などが原因の故障は含まれません。それらの修理は有償となります。保証には電池は含まれず、電池の液漏れによる故障も除外されます。

米国の場合：間接損害の免除が許可されている地域では、この保証には間接損害は含まれません。

米国以外の場合：この保証はユーザーの法律上の権利に影響を与えるものではありません。

仕 様

撮影倍率 ¹	レンズ-被写体距離	レンズ焦点距 ²	有効絞	被写界深度 ³
0.2倍 (20%) (マクロ5)	132 cm / 52 インチ	221 mm	f/20	22 cm / 8.8 インチ
0.4倍 (40%) (マクロ5)	66 cm / 26 インチ	188 mm	f/34	10 cm / 3.8 インチ
等倍 (100%)	25 cm / 9.9 インチ	128 mm	f/47	2.2 cm / 0.86 インチ
2倍 (200%)	12 cm / 4.8 インチ	85.4 mm	f/67	0.8 cm / 0.31 インチ
3倍 (300%)	8 cm / 3.1 インチ	64 mm	f/100	0.5 cm / 0.20 インチ

¹ 厳密な倍率を記録に残す場合は、写真中に定規を写し込みます (図23)。その際、定規と被写体とはカメラから同一距離にしてください。

² このカメラは各倍率ごとに別個のレンズを持ちます。各レンズは適当な焦点距離を持たせることにより歪みを最小にし、カメラと被写体間の距離を大きくし、絞りを小さくすることにより最適な被写界深度を実現します。

³ 被写界深度、つまり、(被写体の前後の) 鮮明な被写体像を得るゾーンは、近接撮影では限定されます。このゾーンは、像の最も鮮明な焦点に対して、前側に約半分、後側に半分広がった鮮明像の範囲 (焦点深度) を持ちます。

注記：カメラのシャッター速度は1/50秒で一定です。

修理 サービス

修理のためカメラを返送される前に、最寄りの弊社支店・営業所に、修理サービスについてお問合せください。返送の場合、カメラは、元の出荷時の包装箱または頑丈な入れ物で包装し、料金元払いで保険をかけて、最寄りの弊社支店・営業所に返送してください。

電池についての注意 (マクロ5のみ)

- 再充電、焼却、切断はしないでください。この装置に使用されている電池は、有害物質を発生し、引火蒸発物を発生し、表面温度が上昇することがあり、たいへん危険です。
- 電池は同じタイプの物と交換してください。他のタイプの電池のご使用は、発火ないし爆発のおそれがあります。
- 使用済み電池の廃棄は各自治体の指示に従って速やかに行い、幼児の目に触れないようにしてください。分解せず、焼却処分をしないようにしてください。電池が爆発することがあります。

- 電池の交換に際しては、全部を同時に交換してください。新しい電池と放電した電池と一緒に使用すると、電池内部の圧力を高め、放電した電池の破裂を招くことがあります。

ラジオおよびテレビ受信の混信

FCC 規定

この装置はFCC Rulesの第15部に準拠しています。作動においては次の2つの条件を満たしています。

- この機器は有害な混信を発生させない。
- この機器は、誤動作を発生させる可能性のある混信を含むあらゆる混信の影響を受けない。

FCC 通告 (米国のみ)

警告：規格準拠に責任のある団体によって明示的に承認されていない変更や改造を行った場合、機器の使用権限が無効になることがあります。

この機器は、FCC Rules の第15 部に従った Class B デジタルデバイスの制限に準拠していることがテストによって立証されています。これらの制限は、一般設置個所における有害な混信に対して適切な保護を提供することを目的としています。この機器は、高周波エネルギーを生成、使用、放射し、説明している手順に従って設置、使用しないと、無線通信の有害な混信の原因となることがあります。ただし、特殊な設置環境の場合は、混信が発生しない保証はありません。この機器がラジオまたはテレビ受信の有害な混信の原因となっている場合は（機器をオン／オフすることで確認できます）、以下の方法を試してみてください。

- 受信アンテナの向きを変えるか、移動してください。
- 機器と受信機の距離を離してください。
- 販売代理店または、ラジオ／テレビ業者にお問合せください。

EMI 通告（カナダ）

このデジタル装置は、カナダ通信省（DOC）の電波干渉規制に定められたデジタル装置の電波ノイズ放出量がクラス B の制限を越えることはありません。

お問い合わせは最寄りの弊社支店、営業所、または次のフリーダイヤルサービスまで。

フィルム、写真システム、撮影技術などのお問い合わせは

フリーダイヤルサービス

 **0120-24-8716**

受付時間：月曜日～金曜日 午前9:00～午後5:00

日本ポラロイド株式会社 <http://www.polaroid.co.jp>

本社・ショールームギャラリー

〒105-8456 東京都港区虎ノ門 3-2-2 第30森ビル ☎ 03-3438-8811

本社営業部

〒105-8456 東京都港区虎ノ門 3-2-2 第30森ビル ☎ 03-3438-8331

大阪支店

〒542-0081 大阪市中央区南船場 3-10-19 住友心斎橋ビル ☎ 06-6252-1761

札幌営業所

〒060-0807 札幌市北区北7条西 1-2-6 NSSビル ☎ 011-709-7331

仙台営業所

〒980-0804 仙台市青葉区大町 2-2-10 住友生命仙台青葉通りビル ☎ 022-223-5258

名古屋営業所

〒460-0008 名古屋市中区栄 3-14-15 スギビル ☎ 052-261-4526

広島営業所

〒730-0017 広島市中区鉄砲町 8-18 広島日生みどりビル ☎ 082-211-0511

福岡営業所

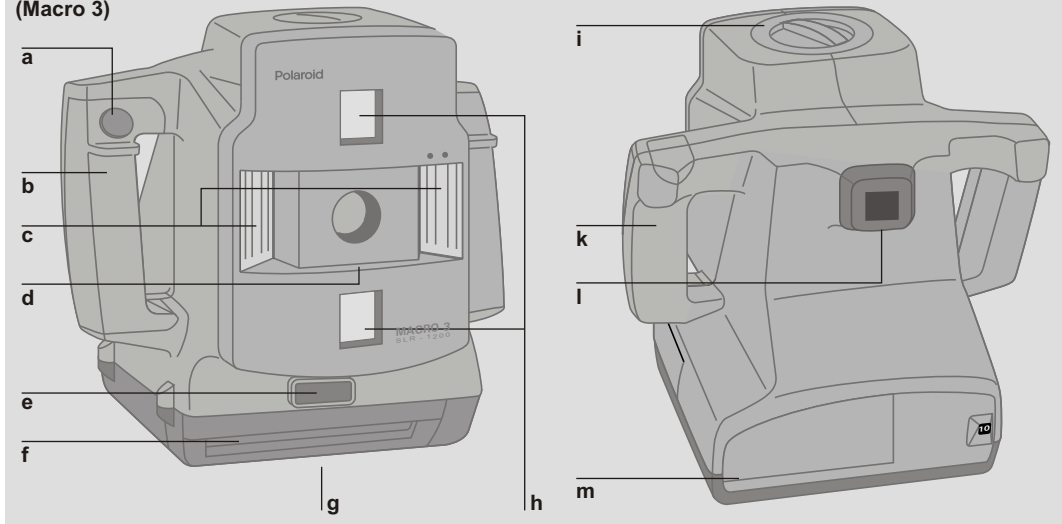
〒812-0013 福岡市博多区博多駅東 1-11-5 アサコ博多ビル ☎ 092-431-5941

東京顧客サービス

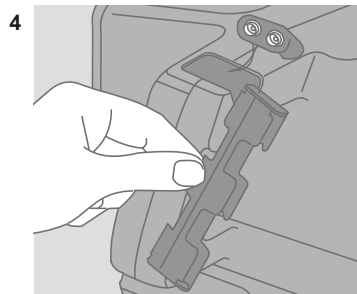
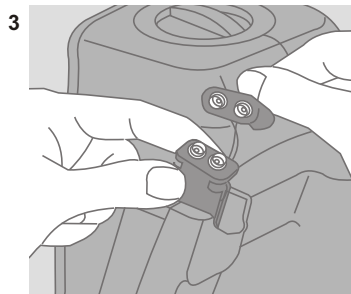
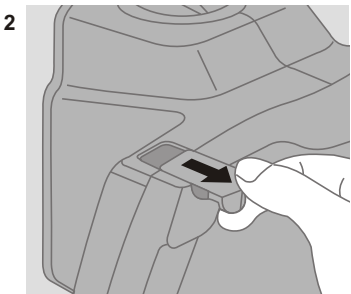
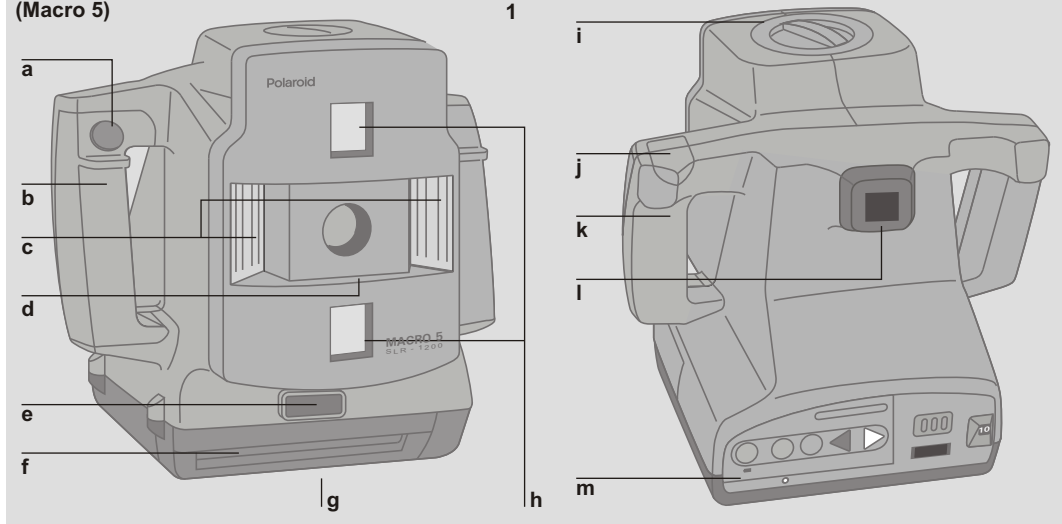
〒105-8456 東京都港区虎ノ門 3-2-2 第30森ビル ☎ 03-3438-8855

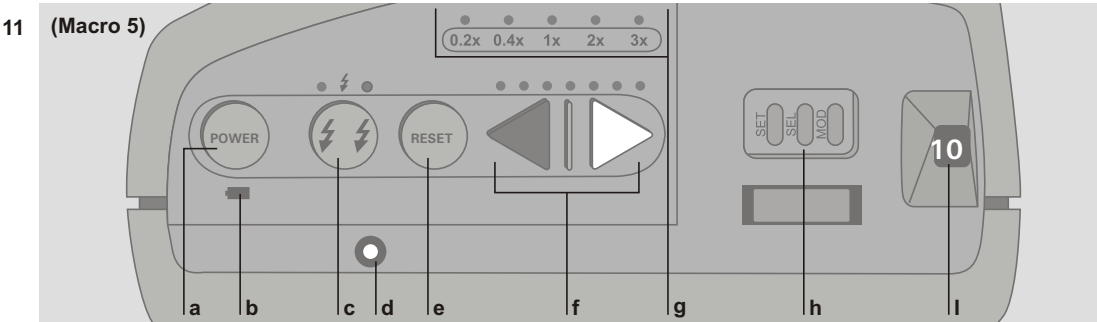
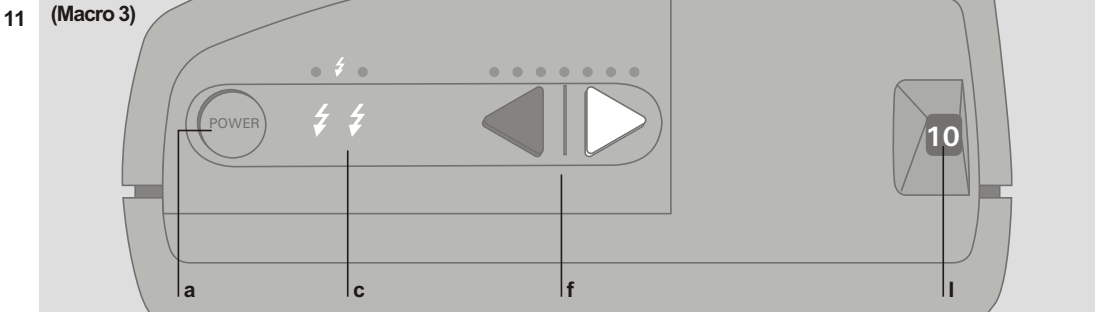
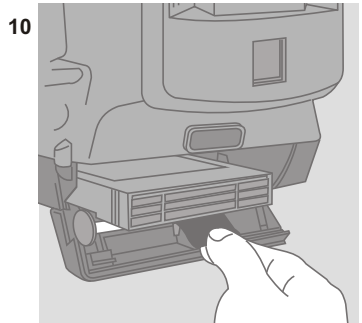
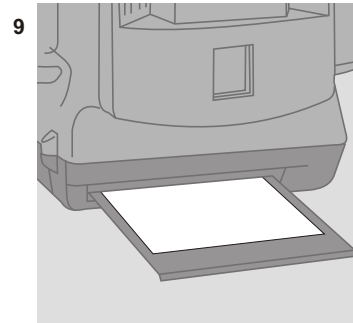
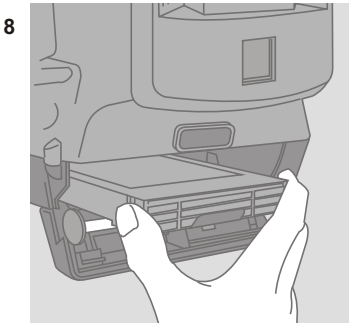
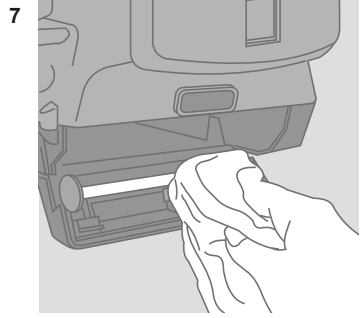
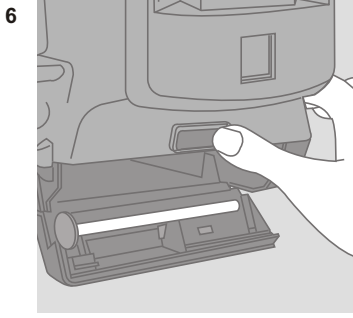
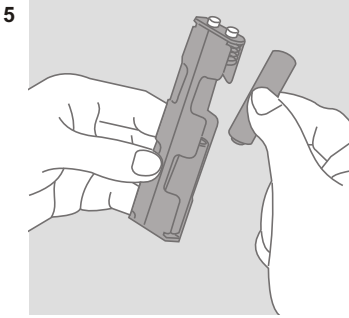
「ポラロイド」および「スペクトラ」は、米国マサチューセッツ州、ケンブリッジ市のポラロイド社の登録商標です。

1 (Macro 3)

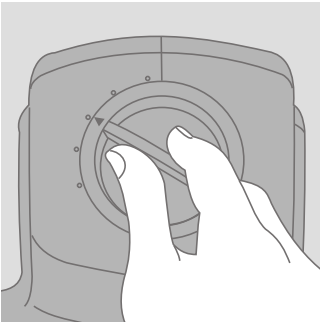


1 (Macro 5)

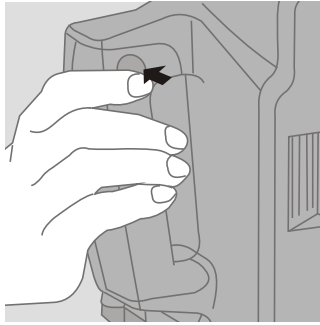




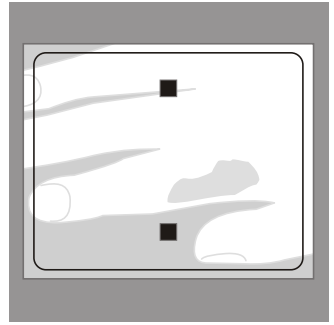
12



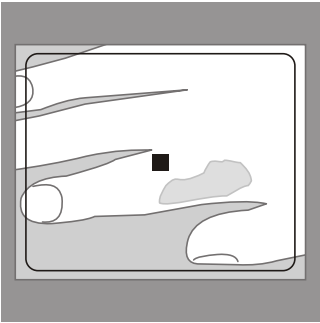
13



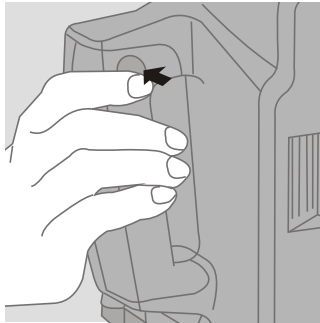
14



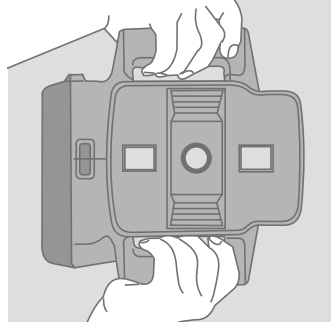
15



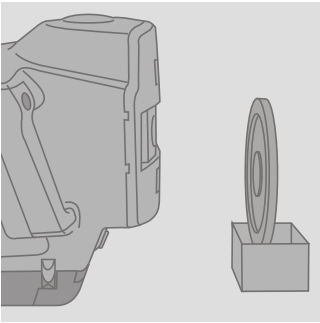
16



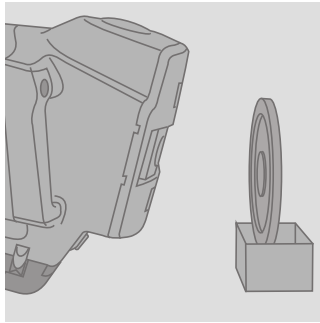
17



18



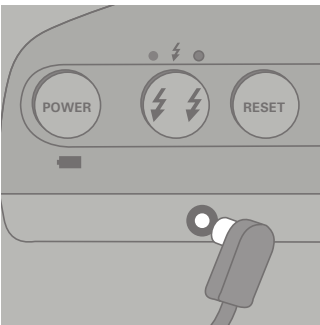
19



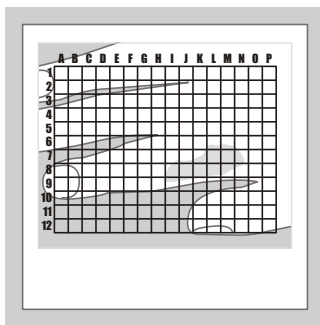
20



21



22



23

