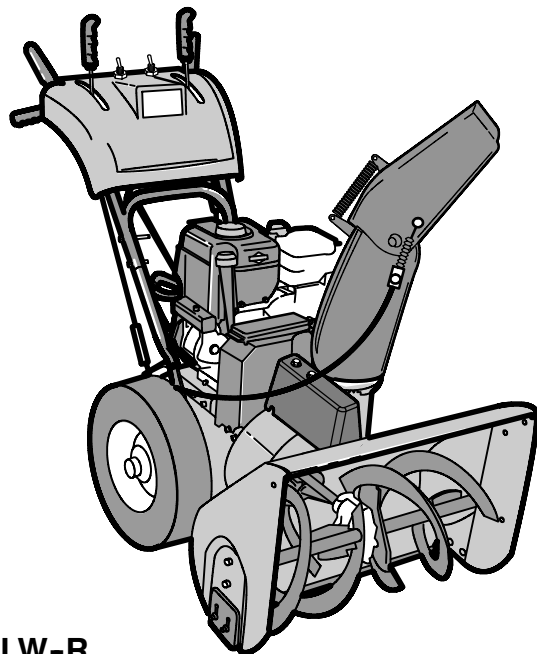


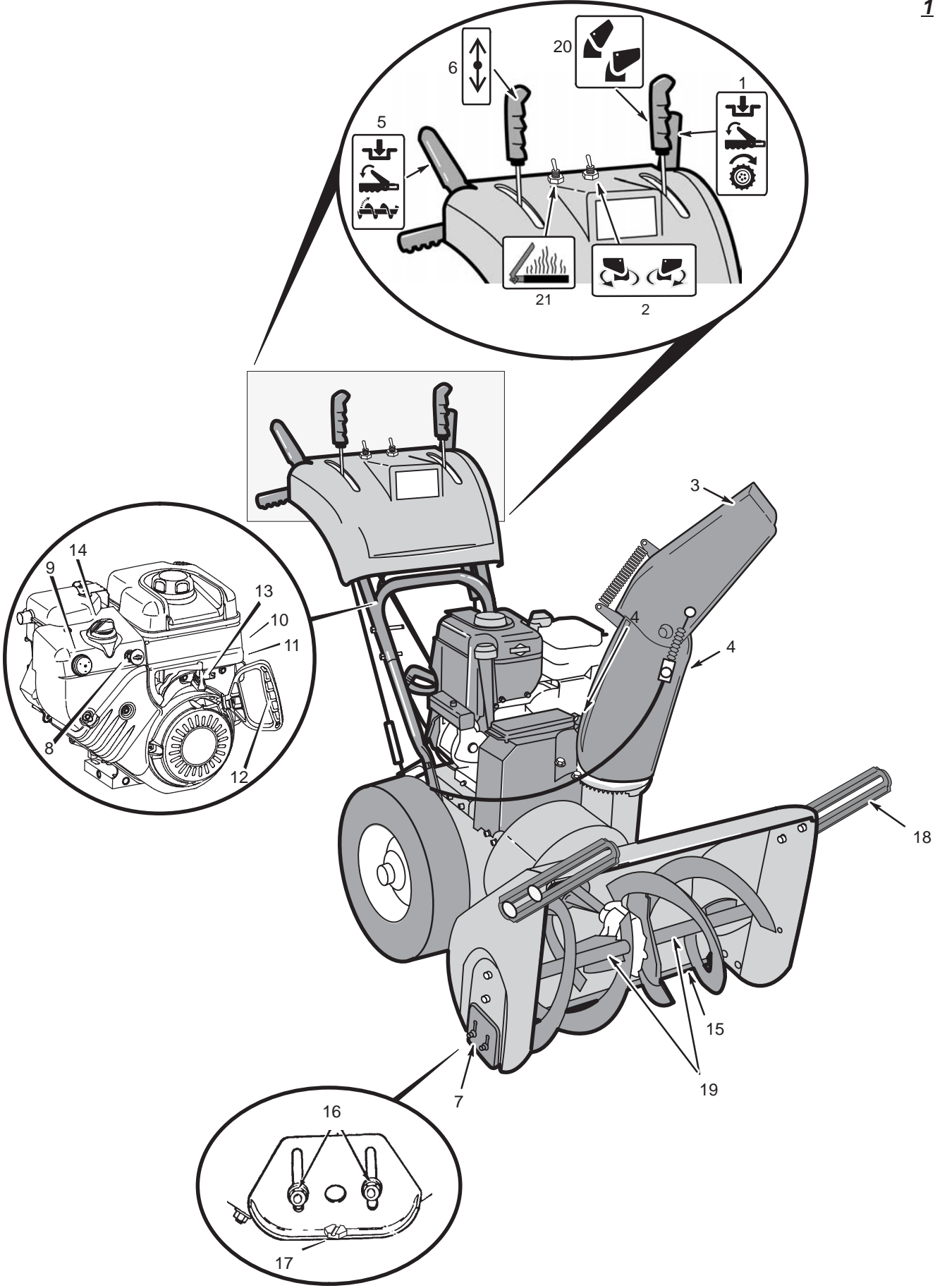
(en)	<i>Instruction Book</i>	Snow Thrower Model 6291570X54
(fr)	<i>Manuel de l'utilisateur</i>	Chasse-neige modèle 6291570X54
(de)	<i>Betriebsanleitung</i>	Schneefräse Modell 6291570X54
(it)	<i>Istruzioni per l'uso</i>	Spazzaneve Modello 6291570X54
(no)	<i>Bruksanvisning</i>	Snøfreser modell 6291570X54
(sv)	<i>Användarhandbok</i>	Snöslunga modell 6291570X54
(fi)	<i>Ohjekirja</i>	Lumilinko malli 6291570X54
(pl)	<i>Instrukcja obsługi</i>	Odśnieżarka Model 6291570X54
(lt)	<i>Instrukcija</i>	Sniego valymo mašina Modelis 6291570X54
(hu)	<i>Kezelési útmutató</i>	Hómaró Modell 6291570X54
(cs)	<i>Návod k použití</i>	Sněhová fréza Model 6291570X54
(ru)	<i>Руководство по эксплуатации</i>	Снегоочиститель Модель 6291570X54



1740877

Revision 00

TP 199-4624-00-LW-R



CONTENTS

HAZARD SYMBOLS AND THEIR MEANINGS 4

OPERATING SYMBOLS AND THEIR MEANINGS 4

ASSEMBLY 9

OPERATION 9

MAINTENANCE CHART 12

MAINTENANCE 12

TROUBLE SHOOTING CHART 16

Figures (Example: Figure 1) are located on the inside front and back pages of this manual located before the parts list.

General Information



This instruction book is written for a person with some mechanical ability. Like most service books, not all the steps are described. Steps on how to loosen or tighten fasteners are steps anyone can follow with some mechanical ability. Read and follow these instructions before you use the unit.


Know your product: If you understand the unit and how the unit operates, you will get the best performance. As you read this manual, compare the illustrations to the unit. Learn the location and the function of the controls. To help prevent an accident, follow the operating instructions and the safety rules. Keep this manual for future reference.

IMPORTANT: Many units are not assembled and are sold in cartons. It is the responsibility of the owner to make sure the assembly instructions in this manual are exactly followed. Other units are purchased in an assembled condition. On assembled units, it is the responsibility of the owner to make sure the unit is correctly assembled. The owner must carefully check the unit according to the instructions in this manual before it is first used.

Need Assistance?




If you need additional information on assembling, operating, or servicing your equipment contact your local Dealer.

  This manual contains safety information to make you aware of the hazards and risks associated with snow throwers, and how to avoid them. The snow thrower is designed and intended for removal of snow, and should not be used for any other purpose. It is important that you read and understand these instructions, and anyone operating the equipment read and understand these instructions.

 **WARNING**

The engine exhaust from this product contains chemicals known to the State of California to cause cancer, birth defects, or other reproductive harm.

A signal word (DANGER, WARNING, or CAUTION) is used with the alert symbol to indicate the likelihood and the potential severity of injury. In addition, a hazard symbol may be used to represent the type of hazard.

-  **DANGER** indicates a hazard which, if not avoided, **will result in death or serious injury.**
-  **WARNING** indicates a hazard which, if not avoided, **could result in death or serious injury.**
-  **CAUTION** indicates a hazard which, if not avoided, **might result in minor or moderate injury.**
CAUTION, when used **without** the alert symbol, indicates a situation that **could result in damage to the equipment.**

Controls & Equipment Features (see Figure 1)

- Traction Drive Lever (1)** – Select the forward or reverse direction of travel.
 - Crank Assembly (2)** – Changes the direction of the discharge chute.
 - Chute Deflector (3)** – Changes the distance the snow is thrown.
 - Discharge Chute (4)** – Changes the direction the snow is thrown.
 - Auger Drive Lever (5)** – Starts and stops the auger (snow gathering and throwing) which also propels the snowthrower.
 - Speed Shift Lever (6)** – Selects the speed of the snow thrower.
 - Height Adjust Skid (7)** – Adjusts the ground clearance of the auger housing.
 - Drift Cutters (18)** – (if equipped) Cuts a path through snow higher than the auger housing.
 - Shear Bolts (19)** – To protect the machine, special shear bolts are designed to break is an object becomes lodged in the auger housing. The use of a harder bolt will destroy the protection provided by the shear bolt.
 - Remote Chute Control Lever (20)** – Controls the distance the snow is thrown.
 - Heated Grips Switch (21)** – Turns on the heated grips.
- Engine Features**
- Safety Key (8)** – Must be inserted to start the engine.
 - Primer Button (9)** – Injects fuel directly into the carburetor for fast starts in cold weather.
 - Electric Start Button (10)** – On electric start models, used to start the engine.
 - Switch Box (11)** – On electric start models, used to attach a 220 volt electric power cord.
 - Recoil Starter Handle (12)** – Use to manually start the engine.
 - Throttle Control (13)** – (if equipped) Controls the speed of the engine.
 - Stop Switch (13)** – (if equipped) Use to stop the engine.
 - Choke Control (14)** – Use to start a cold engine.

Hazard Symbols and their meanings

These symbols are used on your equipment and defined in your operating manual. Review and understand the meanings. The use of one of these symbols combined with a signal word will alert you to potential hazards and how to avoid them.

	Safety Alert – Identifies safety information about hazards that can result in personal injury.
	Operator's Manual – Read and understand before performing any activity or running equipment.
	Rotating auger
	Rotating impeller
	Toxic fumes
	Rotating gears
	Thrown objects
	Keep a safe distance from the equipment.
	Never reach into rotating parts.
	Shut off engine and remove spark plug connector before performing maintenance or repair work.
	Fire
	Explosion
	Shock
	Hot Surface

Operating Symbols and their meanings

These symbols are used on your equipment and defined in your operating manual. It is important that you review and understand the meanings. Failure to understand the symbols might result in harm to you.

	Oil		Forward
	Fuel		Neutral
	On Off		Reverse
	Primer bulb		Ignition On
	Throttle		Ignition Off
	Choke off		Ignition Key
	Choke on		Push to engage electric start
	Stop		Electric Start
	Slow		Engine Start
	Fast		Engine Run
	Engage		Engine Off
	Traction		
	Auger Collector		
	Auger Clutch		
	Drive Clutch		
	Engage		
	Disengage		
	Discharge Chute		Chute Deflector
LEFT	RIGHT	UP	DOWN



! DANGER

Avoid death or serious injury from rotating auger.
Keep hands, feet and clothing away.
Unclogging discharge chute is a hazardous activity.

- Never attempt to clear auger of debris or clogged snow while equipment is engaged or engine is running.
- Stop engine and disconnect spark plug wire when performing maintenance on equipment.
- Never leave the equipment unattended while engine is running. Always disengage the auger and traction controls, stop engine, and remove keys.
- Keep children, pets, and others out of the area during operation. Children are often attracted to the equipment. Be mindful of all persons present.
- Keep all loose clothing far away from front of snow thrower and auger. Scarves, mittens, dangling drawstrings, loose clothes and pants can quickly become caught in the rotating device and dismemberment will occur. Tie up long hair and remove jewelry.
- The snow thrower is intended to remove snow only. Do not use for purposes other than what is intended.
- Do not clear snow across the face of slopes. Exercise extreme caution when changing direction on slopes. Do not attempt to clear steep slopes.
- Do not use the snow thrower on surfaces above ground level such as roofs of residences, garages, porches or other such structures or buildings.



! DANGER

Objects can be picked up by auger and thrown from chute.
Never throw snow toward people or cars, and never allow anyone in front of the snow thrower.

- Be aware of your environment while operating equipment. Running over items such as gravel, doormats, newspapers, toys, and rocks hidden under snow, can all be thrown from chute or jam in the auger.
- Always be aware of the direction the snow is being thrown. Nearby pedestrians, pets or property may be harmed by objects being thrown.
- Familiarize yourself with the area you plan to work. Mark off boundaries of walkways and driveways to prevent property damage from thrown objects.
- Take caution when snow throwing in unfamiliar areas. Stay alert for hidden hazards and traffic.
- After striking a foreign object, turn engine OFF, wait for moving parts to cease movement, and check immediately for damage. If damaged, repair before starting and operating snow thrower.
- With engine OFF, wait for moving parts to stop and always use a stick to clear discharge chute.
- If unit vibrates abnormally, turn engine OFF. Vibration is generally a warning of trouble. See an authorized dealer if necessary for repairs.



! DANGER

Discharge chute contains rotating impeller to throw snow.
Never clear or unclog discharge chute with your hands, or while engine is running.

Fingers can quickly become caught and traumatic amputation or severe laceration can result.

- Unclogging the discharge chute is a hazardous activity.
- Never place hands in or near discharge chute.
- With engine OFF, wait for all moving parts to cease movement, then with a stick, clear the chute.
- Clogged snow can hide other obstructions in the chute and cause damage to the equipment, impeller or auger. Take precautions when restating the equipment after snow removal.



! WARNING

Engines give off carbon monoxide, an odorless, colorless, poison gas.

Breathing carbon monoxide can cause nausea, fainting or death.

- Start and run engine outdoors.
- Do not start or run engine in enclosed area, even if doors or windows are open.

**WARNING**

Gasoline and its vapors are extremely flammable and explosive.
Fire or explosion can cause severe burns or death.

WHEN ADDING FUEL

- Turn engine OFF and let engine cool at least 2 minutes before removing gas cap.
- Fill fuel tank outdoors or in well-ventilated area.
- Do not overfill fuel tank.
- Keep gasoline away from sparks, open flames, pilot lights, heat, and other ignition sources.
- Check fuel lines, tank, cap, and fittings frequently for cracks or leaks. Replace if necessary.

WHEN STARTING ENGINE

- Make sure spark plug, muffler, fuel cap and air cleaner are in place.
- Do not crank engine with spark plug removed.
- If fuel spills, wait until it evaporates before starting engine.
- If engine floods, set choke to OPEN/RUN position, place throttle in FAST and crank until engine starts.

WHEN OPERATING EQUIPMENT

- Do not choke carburetor to stop engine.

WHEN TRANSPORTING EQUIPMENT


- Transport with fuel tank EMPTY.

WHEN STORING GASOLINE OR EQUIPMENT WITH FUEL IN TANK

- Store away from furnaces, stoves, water heaters or other appliances that have pilot light or other ignition source because they can ignite gasoline vapors.

RULES FOR SAFE OPERATION



WARNING: This machine is capable of amputating hands and feet and throwing objects. Read these safety rules and follow them closely. Failure to obey these rules could result in loss of control of unit, severe personal injury or death to you, or bystanders, or damage to property or equipment. The triangle  in text signifies important cautions or warnings which must be followed.

Safe Operation Practices for Snowthrowers

IMPORTANT: Safety standards require operator presence controls to minimize the risk of injury. Your snowthrower is equipped with such controls. Do not attempt to defeat the function of the operator presence control under any circumstances.

Training

1. Read, understand, and follow all instructions on the machine and in the manuals before operating this unit. Be thoroughly familiar with the controls and the proper use of the equipment. Know how to stop the unit and disengage the controls quickly.
2. Never allow children to operate the equipment. Never allow adults to operate the equipment without proper instruction.
3. Keep the area of operation clear of all persons, particularly small children and pets.
4. Exercise caution to avoid slipping or falling especially when operating in reverse.

Preparation

1. Thoroughly inspect the area where the equipment is to be used and remove all doormats, sleds, boards, wires, and other foreign objects.
2. Disengage all clutches and shift into neutral before starting the engine (motor).
3. Do not operate the equipment without wearing adequate winter outer garments. Wear footwear that will improve footing on slippery surfaces. Avoid loose fitting clothing that can get caught in moving parts.
4. Handle fuel with care; it is highly flammable.
 - a. Use an approved fuel container.
 - b. Never add fuel to a running engine or hot engine.
 - c. Fill fuel tank outdoors with extreme care. Never fill fuel tank indoors. Replace fuel cap securely and wipe up spilled fuel.
 - d. Never fill containers inside a vehicle or on a truck or trailer bed with a plastic liner. Always place containers on the ground, away from your vehicle, before filling.
 - e. When practical, remove gas-powered equipment from the truck or trailer and refuel it on the ground. If this is not possible, then refuel such on a trailer with a portable container, rather than from a gasoline dispenser nozzle.
 - f. Keep nozzle in contact with the rim of the fuel tank or container opening at all times, until refueling is complete. Do not use a nozzle lock-open device.
 - g. Replace gasoline cap securely and wipe up spilled fuel.
 - h. If fuel is spilled on clothing, change clothing immediately.
5. Use extension cords and receptacles as specified by the manufacturer for all units with electric drive motors or electric starting motors.
6. Adjust the collector housing height to clear gravel or crushed rock surfaces.
7. Never attempt to make any adjustments while the engine (motor) is running (except when specifically recommended by manufacturer).

8. Let engine (motor) and snowthrower adjust to outdoor temperatures before starting to clear snow.
9. Always wear safety glasses or eye shields during operation or while performing an adjustment or repair to protect eyes from foreign objects that may be thrown from the machine.
10. Never operate the snowthrower without proper guards, plates or other safety protective devices in place.

Operation

1. Do not put hands or feet near or under rotating parts. Keep clear of the discharge opening at all times.
2. Exercise extreme caution when operating on or crossing gravel drives, walks or roads. Stay alert for hidden hazards or traffic.
3. After striking a foreign object, stop the engine (motor), remove the wire from the spark plug, disconnect the cord on electric motors, thoroughly inspect snowthrower for any damage, and repair the damage before restarting and operating the snowthrower.
4. If the unit should start to vibrate abnormally, stop the engine (motor) and check immediately for the cause. Vibration is generally a warning of trouble.
5. Stop the engine (motor) whenever you leave the operating position, before unclogging the collector/impeller housing or discharge chute and when making any repairs, adjustments, or inspections.
6. When cleaning, repairing, or inspecting, make certain the collector/impeller and all moving parts have stopped. Disconnect the spark plug wire and keep the wire away from the spark plug to prevent accidental starting.
7. Do not run the engine indoors, except when starting the engine and for transporting the snowthrower in or out of the building. Open the outside doors; exhaust fumes are dangerous (containing CARBON MONOXIDE, an ODORLESS and DEADLY GAS).
8. Exercise extreme caution when operating on slopes. Do not attempt to clear steep slopes.
9. Never operate the snowthrower without proper guards, plates, or other safety protective devices in place and working.
10. Never direct the discharge toward people or areas where property damage can occur. Keep children and others away.
11. Do not overload the machine capacity by attempting to clear snow at too fast a rate.
12. Never operate the machine at high transport speeds on slippery surfaces. Look behind and use care when operating in reverse.
13. Disengage power to the collector/impeller when snowthrower is transported or not in use.
14. Use only attachments and accessories approved by the manufacturer of the snowthrower (such as cabs, tire chains, etc.).
15. Never operate the snowthrower without good visibility or light. Always be sure of your footing and keep a firm hold on the handles. Walk, never run.
16. Never touch a hot engine or muffler.
17. Never operate the snowthrower near glass enclosures, automobiles, window wells, drop-offs, and the like without proper adjustment of the snow discharge angle.

18. Never direct discharge at bystanders or allow anyone in front of the unit.
19. Never leave a running unit unattended. Always disengage the auger and traction controls, stop engine, and remove keys.
20. Do not operate the unit while under the influence of alcohol or drugs.
21. Keep in mind the operator is responsible for accidents occurring to other people or property.
22. Data indicates that operators, age 60 years and above, are involved in a large percentage of power equipment-related injuries. These operators should evaluate their ability to operate the unit safely enough to protect themselves and others from injury.
23. DO NOT wear long scarves or loose clothing that could become entangled in moving parts.
24. Snow can hide obstacles. Make sure to remove all obstacles from the area to be cleared.

Children

Tragic accidents can occur if the operator is not alert to the presence of children. Children are often attracted to the unit and the operating activity. Never assume that children will remain where you last saw them.

1. Keep children out of the area and under the watchful care of another responsible adult.
2. Be alert and turn off if children enter the area.
3. Never allow children to operate the unit.
4. Use extra care when approaching blind corners, shrubs, trees, or other objects that may obscure vision.

Clearing A Clogged Discharge Chute

Hand contact with the rotating impeller inside the discharge chute is the most common cause of injury associated with snowthrowers. Never use your hand to clean out the discharge chute.

To clear the chute:

1. SHUT OFF THE ENGINE.
2. Wait 10 seconds to be sure the impeller blades have stopped rotating.
3. Always use a clean out tool, not your hands.

Service, Maintenance And Storage

1. Check shear bolts (pins) and other bolts at frequent intervals for proper tightness to be sure the equipment is in safe working condition.

2. Never store the machine with fuel in the tank inside a building where ignition sources are present such as hot water and space heaters, or clothes dryers. Allow the engine to cool before storing in any enclosure.
3. Always refer to operator's manual for important details if the snowthrower is to be stored for an extended period.
4. Maintain or replace safety and instruction labels as necessary.
5. Run the machine a few minutes after throwing snow to prevent freeze-up of the collector/impeller.
6. If fuel is spilled, do not attempt to start the engine but move the machine away from the area of spillage and avoid creating any source of ignition until fuel vapors have dissipated.
7. Always observe safe refueling and fuel handling practices when refueling the unit after transportation or storage.
8. Always follow the engine's manual instructions for storage preparations before storing the unit for both short and long term periods.
9. Always follow the engine manual instructions for proper start-up procedures when returning the unit to service.
10. Keep nuts and bolts tight and keep equipment in good condition.
11. Never tamper with safety devices. Check their proper operation regularly and make necessary repairs if they are not functioning properly.
12. Components are subject to wear, damage, and deterioration. Frequently check components and replace with manufacturer's recommended parts, when necessary.
13. Check control operation frequently. Adjust and service as required.
14. Use only factory authorized replacement parts when making repairs.
15. Always comply with factory specifications on all settings and adjustments.
16. Only authorized service locations should be utilized for major service and repair requirements.
17. Never attempt to make major repairs on this unit unless you have been properly trained. Improper service procedures can result in hazardous operation, equipment damage and voiding of manufacturer's warranty.

Emissions

1. Engine exhaust from this product contains chemicals known, in certain quantities, to cause cancer, birth defects, or reproductive harm.
2. If available, look for the relevant Emissions Durability Period and Air Index information on the engine emissions label.

Ignition System

1. This spark ignition system complies with Canadian ICES-002.

ASSEMBLY

Read and follow the assembly and adjustment instructions for your snow thrower. All fasteners are in the parts bag. Do not discard any parts or material until the unit is assembled.



WARNING: Before doing any assembly or maintenance to the snow thrower, remove the wire from the spark plug.

NOTE: In this instruction book, left and right describe the location of a part from the operator's position behind the unit.

NOTE: Torque is measured in foot pounds (metric N.m). This measurement describes how tight a nut or bolt must be. The torque is measured with a torque wrench.

NOTE: Fasteners and loose parts are shown at full size in Figure 2 on page 175.

NOTE: Illustrations are located on page 2 and on pages 176 through 181.

Tools Required

- 1 Knife
- 1 Pliers
- 2 1/2 inch open end wrenches
- 2 9/16 inch open end wrenches
- 2 3/4 inch open end wrenches
- 1 Measuring tape or ruler
- 1 Screwdriver

How To Remove The Snow Thrower From The Carton

1. (Figure 3) The snow thrower is shown in the shipping position.
2. Cut down all four corners of the carton and lay the side panels flat or use pull tab to remove box from base.
3. Cut and discard the plastic ties that secure the crank assembly and the speed control rod assembly.
4. Locate all parts that are packed separately and remove from the carton.
5. Remove and discard the packing material from around the snow thrower.
6. (Figure 1) For shipping purposes, the height adjust skids (7) are attached to the pallet. Remove the screw (17) that secures each height adjust skid (7) to the pallet.
7. Hold onto the lower handle and pull the snow thrower off the pallet.
CAUTION: DO NOT back over cables.
8. Remove the packing material from the handle assembly.
9. Cut the ties that secure the clutch control cables (1) to the lower handle (2). Move the cables away from the motor frame.

How To Assemble The Handle

1. (Figure 4) Loosen, but do not remove, the fasteners (1) in the upper holes of the lower handle (3).
2. Remove the fasteners from the lower holes of the lower handle (3).
3. (Figure 1) Put the shift lever (6) into first forward position.

4. (Figure 4) Raise the upper handle (2) to the operating position.

NOTE: Make sure the cables are not caught between the upper and lower handle.

5. Install the fasteners that were removed in step 2. DO NOT tighten until all fasteners are in place.
6. Tighten all handle fasteners.

How To Install The Speed Control Rod

1. (Figure 9) Attach the ball joint (6), located on the bottom end of the speed control rod (2), to the shift yoke assembly (7). The fasteners (8) are attached to the ball joint (6) at the factory.

The length of the ball joint (6) and speed control rod (2) have been pre-adjusted at the factory. If an adjustment is required, loosen the nut (9). Remove the fasteners (8) to disconnect the ball joint (6) from the shift yoke assembly (7). To lengthen or shorten the speed control rod (2), turn the adapter (10) to obtain the correct length.

2. (Figure 12) Attach the handle (11) onto the speed select lever (5). On some models the handle (11) is attached. To lock in position, tighten the hex jam nut (10) against the bottom of the handle (11).
3. Make sure the speed select lever (5) functions correctly. Move the speed select lever (5) through all speeds.

How To Install The Knobs

NOTE: If knobs are already installed, go to the next selection.

Remote Chute Knob (Figure 12)

1. Assemble remote chute knob (1) onto lever (3) until snug against nut (2). On some models the remote chute knob (1) is attached.
2. Make sure lip (4) on the remote chute knob (1) is pointed toward the engine.
3. Tighten the nut (2) against the bottom of the remote chute knob (1).

How To Assemble The Chute Deflector

1. (Figure 6) Remove carriage bolt (1).
2. Raise the chute deflector (2) into operating position (3).
3. Fasten chute deflector (2) to flange (4) with carriage bolts (1). Make sure to install with head of the carriage bolts (1) on the inside of the flange (2).
4. Fasten with washers (5) and locknuts (6).
5. Tighten locknuts (6) securely.

NOTE: Make sure all carriage bolts in flange are tight. DO NOT OVERTIGHTEN.

Check The Cables

1. (Figure 8) Check the traction drive cable (1) and the auger drive cable (2). If the bottom of the cables have become disconnected, reinstall the cables.

2. (Figure 10) If the top of the cables (5) have become disconnected from the drive levers (6), attach the cables (5) to the "Z" fitting (7).

How To Set The Skid Height (Figure 1)

The snow thrower is equipped with height adjustable skids (7) mounted on the outside of the auger housing (4). To adjust the height of the skids, see "How To Adjust The Height Of The Skids" in the Maintenance section.

How To Set The Length Of The Cables

The cables were adjusted at the factory and no adjustments should be necessary. However, after the handles are put in the operating position, the cables can be too tight or too loose. If an adjustment is necessary, see "How To Check And Adjust The Cables" in the Service And Adjustment section.

How To Assemble The Drift Cutter (if equipped)

Drift cutters are used to cut a path through snow deeper than the auger housing.

1. (Figure 11) Loosen the wingnuts (2) that secure the drift cutters (1) to the auger housing.
2. Raise the drift cutters (1) to the desired height.
3. Tighten the wingnuts (2).

How To Prepare The Engine

NOTE: The engine was shipped from the factory filled with oil. Check the level of the oil. Add oil as needed.



WARNING: Follow the engine manufacturer's instructions for the type of fuel and oil to use. Always use a safety fuel container. Do not smoke when adding gasoline to the engine. When inside an enclosure, do not fill with gasoline. Before you add fuel, stop the engine. Let the engine cool for several minutes.

Check the oil. See the engine manufacturer's instructions for the type of fuel and oil to use. Before you use the unit, read the information on safety, operation, maintenance, and storage.

Important! Before You Start Operating

- Check the fasteners. Make sure all fasteners are tight.
- On electric start models, the unit was shipped with the starter cord plugged into the engine. Before operating, unplug the starter cord from the engine.

OPERATION

NOTE: Illustrations are located on page 2 and on pages 176 through 181.

CAUTION: Use only attachments and accessories approved by the manufacturer of the snow thrower (such as tire chains, electric start kits, etc.).

Know Your Snow Thrower (Figure 1)

Read this Instruction Book and safety rules before operation the snow thrower. Compare the illustration with your snow thrower to familiarize yourself with the location of various controls and adjustments.

How To Control The Discharge Of The Snow



WARNING: Never direct the discharge of snow toward bystanders.



WARNING: Always stop the engine before unclogging the discharge chute or the auger housing and before leaving the snow thrower.

1. (Figure 5) Move the **electric chute switch (2)** to set the direction (left to right) of the snow throwing.
2. Pull the **remote chute lever (17)** back to discharge the snow high and far. Push the **remote chute lever (17)** forward to discharge the snow down.

How To Stop The Snow Thrower (Figure 1)

1. To stop discharging snow, release the **auger drive lever (5)**.
2. To stop the wheels, release the **traction drive lever (1)**.
3. To stop the engine on models with a **throttle control (13)**, first move the **throttle control (13)** to the SLOW position and then move it to the STOP position.
4. To stop the engine on models with an **ignition switch (13)**, move the **ignition switch (13)** to the OFF position.

5. Pull out and remove the **safety key (8)**.
CAUTION: To stop the engine, do not move the choke control to CHOKE position. Backfire or engine damage can occur.

How To Go Forward or Backward (Figure 1)

1. To change the ground speed, first release the **traction drive lever (1)** and then move the **speed shift lever (6)** to the desired speed.
2. Ground speed is determined by snow conditions. Select the speed by moving the **speed shift lever (6)** into the appropriate notch on the shift lever plate.

Speed 1, 2	Wet, Heavy
Speed 3	Light
Speed 4	Very Light
Speed 5, 6	Transport only

3. To go forward, engage the **traction drive lever (1)**. Maintain a firm hold on the handle as the snow thrower starts to move forward. Guide the snow thrower by moving the handle either left or right. Do not attempt to push the snow thrower.
4. To go backward, release the **traction drive lever (1)**.
5. Move the **speed shift lever (6)** into either first or second reverse.
6. Engage the **traction drive lever (1)**.

IMPORTANT: Do not move the speed shift lever (6) while the traction drive lever (1) is engaged.

How To Throw Snow (Figure 1)

1. Engage the **auger drive lever (5)**.
2. To stop throwing snow, release the **auger drive lever (5)**.



WARNING: The operation of any snow thrower can result in foreign objects being thrown into the eyes, which can result in severe eye damage. Always wear safety glasses or eye shields while operating the snow thrower. We recommend standard safety glasses or use a wide vision safety mask over your glasses.

How To Use The Heated Grips (Figure 5)



WARNING: Heated grips are designed for use when the temperature is below 32°F (0°C). Do not turn on electric grips if temperature is above 32°F (0°C).

When the temperature falls below 32°F (0°C), use the heated grips to keep your hands warm. Move the **heated grip switch (20)** to the ON position. It will take a couple of minutes for the grips to become warm. Because heated grips can become very warm, we recommend that you wear gloves. If you notice that the grips are too warm, turn off heated grips.

Before Starting The Engine

1. Before you service or start the engine, familiarize yourself with the snow thrower. Be sure you understand the function and location of all controls.
2. Check the tension of the clutch cable before starting the engine. See "How To Adjust The Clutch Cable" in the Maintenance section of this manual.
3. Make sure that all fasteners are tight.
4. Make sure the height adjust skids are properly adjusted. See "How To Adjust The Height Of The Skids" in the Maintenance section of this manual.
5. Check the air pressure in the tires. The correct air pressure is 14 PSI (1 BAR) to 17 PSI (1.25 BAR). Do not exceed the maximum amount of air pressure shown on the side of the tire.

How To Stop The Engine (Figure 1)

1. To stop the engine on models with a **throttle control (13)**, first move the **throttle control (13)** to the SLOW position and then move it to the STOP position.
2. To stop the engine on models with an **ignition switch (13)**, move the **ignition switch (13)** to the OFF position.
3. Pull out and remove the **safety key (8)**. Keep the **safety key (8)** in a safe place. The engine will not start without the **safety key (8)**.

CAUTION: To stop the engine, do not move the choke control to CHOKE position. Backfire or engine damage can occur.

How To Start The Engine (Figure 1)

Models equipped with an Electric Starter

NOTE: An electric starter kit can be added to recoil start engines. Electric starter kits are available from your nearest authorized service center.



WARNING: The starter is equipped with a three-wire power cord and plug and is designed to operate on 220 volt A.C. household current. The power cord must be properly grounded at all times to avoid the possibility of electrical shock which can injure the operator. Carefully follow all instructions in the "How To Start The Engine" section. Make sure that your house wiring is a three-wire grounded system. If you are not sure, ask a licensed electrician. If your house wire system is not a three-wire grounded system, do not use this electric starter under any conditions. If your system is grounded but a three-hole grounded receptacle is not available to start the engine, have a three-hole grounded receptacle installed by a licensed electrician. To connect a 220 volt A.C. power cord, always connect the power cord to the switch box (11) on the engine first. Then, plug the other end into the three-hole grounded receptacle. When disconnecting the power cord, always unplug the end from the three-hole grounded receptacle first.

How To Start A Cold Engine (Figure 1)

1. Check the engine oil.
2. Fill the fuel tank with regular unleaded petrol. See "How To Prepare The Engine".
3. Make sure the **traction drive lever (1)** and the **auger drive lever (5)** are in the disengaged (released) position.
4. To start the engine on models with a **throttle control (13)**, move the **throttle control (13)** to the FAST position. Operate the engine with the **throttle control (13)** in the FAST position.
5. To start the engine on models with an **ignition switch (13)**, move the **ignition switch (13)** to the ON position.
6. Insert the **safety key (8)** into the engine key slot. Make sure the **safety key (8)** is fully inserted. **Do not turn the safety key (8)**.
7. Move the **choke control (14)** to the full choke position.
8. (**Electric Start**) Connect the power cord to the **switch box (11)** located on the engine.
9. (**Electric Start**) Plug the other end of the power cord into a three-hole, grounded 220 VOLT, A.C. receptacle. (See the WARNING in this section).
10. Push the **primer button (9)**. Every time you push the **primer button (9)**, wait two seconds. For the number of times required to push the **primer button (9)**, see the engine manufacturer's instructions.
11. (**Electric Start**) Push on the **electric start button (10)** until the engine starts. Do not crank for more than 5 seconds at a time. Wait one minute between starts to allow the starter to cool.
12. (**Recoil Start**) Slowly pull the **recoil starter handle (12)** until resistance is felt and then pull rapidly to start the engine. Do not allow the **recoil starter handle (12)** to snap back. Slowly return the **recoil starter handle (12)**.

13. If the engine does not start in 5 or 6 tries, See the "Trouble Shooting Chart" Instructions.
14. Allow the engine to warm up for several minutes. As the engine warms up, adjust the **choke control (14)** toward the RUN position. Wait until the engine runs smoothly before each choke adjustment.
15. **(Electric Start)** First disconnect the power cord from the three-hole receptacle. Then, disconnect the power cord from the **switch box (11)**.
NOTE: In temperatures below 0°F (-18°C), allow the engine to warm up for several minutes before blowing snow.
16. When throwing snow, always run the engine with the **throttle control (13)** (if equipped) in the fast position.



WARNING: Never run the engine indoors or in enclosed, poorly ventilated areas. Engine exhaust contains carbon monoxide, an odorless and deadly gas. Keep hands, feet, hair and loose clothing away from any moving parts located on the engine or the snow thrower. The temperature of muffler and nearby areas may exceed 150°F (66°C). Avoid these areas.

How To Start A Warm Engine (Figure 1)

If an engine has been running and is still warm, leave the **choke control (14)** in the off position and do not push the **primer button (9)**. If the engine fails to start, follow the instructions "How To Start A Cold Engine".

NOTE: Do not use the primer button (9) to start a warm engine.

How To Start An Engine With A Frozen Electric Starter (Figure 1)

If the electric starter is frozen and will not turn the engine, follow the instructions below.

1. Pull as much starter rope as possible out of the starter.
2. Release the starter handle and let it snap back against the starter. Repeat until the engine starts.

Warm engines will cause condensation in cold weather. To prevent possible freeze-up of recoil starter and engine controls, proceed as follows after each snow removal job.

1. Run the snow thrower a few minutes after throwing snow to prevent freeze-up of the auger/impeller.
2. With engine off, allow engine to cool for several minutes.
3. Pull starter rope very slowly until resistance is felt, then stop. Allow the starter rope to recoil. Repeat three times.
4. With the engine not running, wipe all snow and moisture from the carburetor cover in area of controls and levers. Also, move the choke control and starter handle several times.

How To Remove Snow or Debris From The Auger Housing 7



WARNING: Do not attempt to remove snow or debris that may become lodged in auger housing with your hands. Use the clean-out tool or a pry bar to remove snow or debris.

(Figure 7) On some models, a clean-out tool is attached to the top of the auger housing. Use the clean-out tool to remove snow from the auger housing.

1. **(Figure 1)** Release the **auger drive lever (5)**.
2. Stop the engine.
3. Remove (do not turn) the **safety key (8)**.
4. Disconnect the spark plug wire.

5. Do not place your hands in the **auger housing (4)** or the **discharge chute (3)**.
6. **(Figure 7)** Use the **clean-out tool (1)** or a pry bar to remove any snow or debris.

Snow Throwing Tips

1. For maximum snow thrower efficiency in removing snow, adjust ground speed. Go slower in deep, freezing or wet snow. If the wheels slip, reduce forward speed.
2. Most efficient snow throwing is accomplished when the snow is removed immediately after it falls.
CAUTION: Do not overload the machine capacity by attempting to clear snow at too fast a rate.
3. For complete snow removal, slightly overlap each previous path.
4. Whenever possible, discharge the snow down wind.
5. For normal usage, set the skids so that the scraper bar is 1/8" (3 mm) above the skids. For extremely hard-packed snow surfaces, adjust the skids upward so that the scraper bar touches the ground.
6. Rocks and gravel must not be picked up and thrown by the machine. On gravel or crushed rock surfaces, set the skids at 1-1/4 inch (32 mm) below the scraper bar. See "How To Adjust The Height Of The Skids" in the Maintenance section.
7. After each snow throwing job, allow the engine to idle for a few minutes. The snow and accumulated ice will melt off the engine.
8. Clean the snow thrower after each use.
9. Remove ice, snow and debris from the entire snow thrower. Flush with water to remove all salt or other chemicals. Wipe snow thrower dry.

MAINTENANCE CHART

CUSTOMER RESPONSIBILITIES

SERVICE RECORDS									
Fill in dates as you complete regular service.	Before Each Use	First 2 Hours	Every 5 Hours	Every 10 Hours	Every 25 Hours	Each Season	Before Storage	SERVICE DATES	
Check Engine Oil Level	√		√			√			
Change Engine Oil					√	√			
Check And Tighten All Screws and Nuts	√					√			
Check Spark Plug					√	√			
Adjust Drive Belt		√			√	√			
Check Fuel	√								
Drain Fuel							√		
Check Auger Clutch Cable Adjustment (See Cable Adjustment)		√				√			
Check Traction Clutch Cable Adjustment (See Cable Adjustment)		√				√			
Lubricate All Pivot Points				√			√		
Lubricate Auger Shaft (See Shear Bolt Replacement)				√			√		
Lubricate Drive Chains and Sprockets				√			√		

MAINTENANCE

NOTE: Illustrations are located on page 2 and on pages 176 through 181.

Use the following maintenance section to keep your unit in good operating condition. All the maintenance information for the engine is in the engine manufacturer's instructions. Before you start the engine, read this book.



WARNING: Before you make an inspection, adjustment (except carburetor), or repair, disconnect the wire from the spark plug.

General Recommendations

The warranty on this snow thrower does not cover items that have been subjected to operator abuse or negligence. To receive full value from the warranty, the operator must maintain the snow thrower as instructed in this manual.

Some adjustments must be made periodically to properly maintain the snow thrower.

After Each Use

- Check for any loose or damaged parts.
- Tighten any loose fasteners.
- Check and maintain the auger.
- Check controls to make sure they are functioning properly.
- If any parts are worn or damaged, replace immediately.
- Check all safety and instruction decals and labels. Replace any decals or labels that are missing or cannot be clearly read.

All adjustments in the Maintenance section of this manual should be checked at least once each season.

As Required

The following adjustment should be performed more than once each season.

1. Adjust the auger drive belt after the first 2 to 4 hours, again at mid-season, and twice each season thereafter. See "How To Adjust The Auger Drive Belt" in the Maintenance section.

Lubrication

Every 10 Hours (Figure 14)

1. Lubricate the **Zerk fittings (1)** every ten hours with a grease gun.
2. Each time a shear bolt is replaced, the auger shaft must also be greased.
3. Lubricate all pivot points.

Every 25 Hours)

Chains

1. (Figure 1) Move the **speed shift lever (6)** to first gear.
2. Remove the gas from the gas tank. Stand the snow thrower up on the front end of the **auger housing (4)**.



WARNING: Drain the gasoline outdoors, away from fire or flame.

3. (Figure 22) Loosen the **bolts (3)** on each side of the **bottom panel (2)**.
4. Remove the **bottom panel (2)**.

5. (Figure 15) Lubricate the **chains (5)** with a chain type lubricant.

6. Wipe the **hexshaft and sprockets (6)** with 5W30 motor oil.

NOTE: If grease or oil come in contact with the disc drive plate (1) or the friction wheel (3), damage can result. Clean off any oil or grease with a alcohol base solvent.

7. (Figure 22) Install the **bottom panel (2)**.
8. Tighten the **bolts (3)** on each side of the **bottom panel (2)**.

Items Not To Lubricate (Figure 15)

1. Do not lubricate the **hex shaft and sprockets (6)**. All bearings and bushings are lifetime lubricated. For storage, put a slight amount of 5W-30 motor oil on a cloth and wipe the **hex shaft and sprockets (6)** to prevent rust.
2. If grease or oil comes in contact with the **disc drive plate (1)** or the **friction wheel (3)**, the **friction wheel (3)** can be damaged. Make sure to thoroughly clean the **disc drive plate (1)** and the **friction wheel (3)**.
CAUTION: Any greasing or oiling of the above components can cause contamination of the friction wheel (3). If the disc drive plate (1) or the friction wheel (3) become contaminated with grease or oil, damage to the friction wheel will result.
3. The auger gear case is lubricated at the factory and does not require additional lubrication. If for some reason the lubricant leaks out, have the auger gear case checked by a factory authorized service center.

How To Adjust The Height Of The Skids (Figure 1)

This snow thrower is equipped with two height adjustable skids (7). These skids elevate the front of the snow thrower. For normal hard surfaces, such as a paved driveway or walk, adjust the skids as follows.

1. Put the snow thrower on a level surface.
2. Make sure both tires are equally inflated. The correct air pressure is 14 PSI (1 BAR) to 17 PSI (1.25 BAR). Do not exceed the maximum amount of air pressure shown on the side of the tire.
3. Put the extra shear bolts (found in the parts bag) under each end of the scraper bar (15) next to the adjustable skids (7).
4. Loosen the mounting nuts (16) that hold the adjustable skids (7). To bring the front of the snow thrower down, raise each adjustable skids (7). Tighten the mounting nuts (16).

NOTE: For rocky or uneven surfaces, raise the front of the snow thrower by moving the adjustable skids (7) down.



WARNING: Be certain to maintain proper ground clearance for the area to be cleared. Objects such as gravel, rocks or other debris, if struck by the impeller, can be thrown with sufficient force to cause personal injury, property damage or damage to the snow thrower.

How To Adjust The Scraper Bar (Figure 1)

After considerable use, the scraper bar (15) will become worn. The scraper bar (15), in conjunction with the skids, must be adjusted to allow 1/8 inch (3 mm) clearance between the scraper bar (15) and the sidewalk or area to be cleared.

1. Put the snow thrower on a level surface.
2. Make sure both tires are equally inflated. The correct air pressure is 14 PSI (1 BAR) to 17 PSI (1.25 BAR). Do not exceed the maximum amount of air pressure shown on the side of the tire.
3. Loosen the carriage bolts and nuts that hold the scraper bar (15) to the auger housing (4).
4. Adjust the scraper bar (15) to allow 1/8 inch (3 mm) clearance between the scraper bar (15) and the sidewalk or area to be cleared.
5. Tighten the carriage bolts and nuts. Make sure that the scraper bar (15) is parallel with the sidewalk or area to be cleared.
6. To extended the life of the scraper bar (15), remove and reverse the mounting of the scraper bar (15).

How To Check And Adjust The Cables

The traction drive cable and the auger drive cable are adjusted at the factory. During normal use, a cable can become stretched and must be checked and adjusted as follows.

How To Check The Cables (Figure 16)

1. To check for correct adjustment, disconnect the "Z" fitting (1) from the drive lever (2).

2. Move the drive lever (2) forward until the drive lever (2) is contacting the plastic bumper (3).
3. The control cable is correctly adjusted if the center of the "Z" fitting (1) is aligned (4) with the hole in the drive lever (2) and there is no droop in the cable.

How To Adjust The Auger Drive Cable

1. Remove the gas from the gas tank. Stand the snow thrower up on the front end of the auger housing.



WARNING: Drain the gasoline outdoors, away from fire or flame.

2. (Figure 16) Disconnect the "Z" fitting (1) from the drive lever (2).
3. (Figure 17) Pull the spring cover up to expose the spring (5). Push the cable (6) through the spring (5) to expose the square end (7) on the cable (6).
4. Hold the square end (7) with pliers and adjust the locknut (8) in or out until the excess slack is removed.
5. Pull the cable (6) back through the spring (5).
6. (Figure 16) Connect the "Z" fitting (1) to the drive lever (2).

NOTE: When the auger drive belt is adjusted or replaced, check and adjust the cable.

How To Adjust The Traction Drive Cable

1. Remove the gas from the gas tank. Stand the snow thrower up on the front end of the auger housing.



WARNING: Drain the gasoline outdoors, away from fire or flame.

2. (Figure 22) Loosen the bolts (3) on each side of the bottom panel (2).
3. Remove the bottom panel (2).
4. (Figure 16) Disconnect the "Z" fitting (1) from the traction drive lever (2).
5. (Figure 27) Slide the cable boot (3) off the cable adjustment bracket (4).
6. Push the bottom of the traction control cable (5) through the cable adjustment bracket (4) until the "Z" hook (6) can be removed.
7. Remove the "Z" hook (6) from the cable adjustment bracket (4). Move the "Z" hook (6) down to the next adjustment hole.
8. Pull the traction control cable (5) up through the cable adjustment bracket (4).
9. Put the cable boot (3) over the cable adjustment bracket (4).
10. (Figure 16) Install the "Z" fitting (1) to the traction drive lever (2).
11. (Figure 15) To check the adjustment, depress the drive lever and check the length "A" of the drive spring (7). In correct adjustment, the length "A" of the drive spring (7) is as follows:
minimum 3 inches (76 mm)
maximum 3-3/8 inches (85 mm).

12. (Figure 22) Install the bottom panel (2).

13. Tighten the bolts (3) on each side of the bottom panel (2).

How To Adjust The Belts

The belts will stretch during normal use. If you need to adjust the belts due to wear or stretch, proceed as follows.

How To Adjust The Auger Drive Belt

If the snow thrower will not discharge snow, check the adjustment of the auger drive cable. See "How To Check And Adjust The Cables" in the Maintenance section. If the adjustment is correct, then check the condition of the auger drive belt. If the auger drive belt is damaged, replace the auger drive belt. See "How To Replace The Belts" in the Maintenance section. If the auger drive belt is loose, adjust as follows.

1. Disconnect the spark plug wire.
2. (Figure 18) Remove screw (2) from belt cover (1). Remove the belt cover (1).
3. (Figure 19) Loosen the nut (2) on the idler pulley (3). Move the idler pulley (3) 1/8 inch (3 mm) toward the auger drive belt (4).
4. Tighten the nut (2).
5. (Figure 21) Depress the auger drive lever. Check the tension on the auger drive belt (4). In correct adjustment, the auger drive belt (4) will deflect 1/2 inch (12.5 mm) (5) with moderate pressure. If the adjustment is not correct, repeat the adjustment.
6. (Figure 18) Install the belt cover (1). Tighten screw (2).
7. Check the adjustment of the auger drive cable. See "How To Check And Adjust The Cables" in the Maintenance section.
8. Attach the spark plug wire.

Traction Drive Belt

The traction drive belt has constant spring pressure and does not require an adjustment. If the traction drive belt is slipping, replace the belt. See "How To Replace The Belts" in the Maintenance section.

How To Replace The Belts

The drive belts are of special construction and must be replaced with original factory replacement belts available from your nearest authorized service center.

Some steps require the assistance of a second person.

How To Remove the Auger Drive Belt

If the auger drive belt is damaged, the snow thrower will not discharge snow. Replace the damaged belt as follows.

1. Disconnect the spark plug wire.
2. (Figure 22) Remove the bolts (1) on each side of the bottom panel (2).
3. Loosen the bolts (3) on each side of the bottom panel (2).
4. Remove the bottom panel (2).
5. (Figure 18) Remove screw (2) from belt cover (1). Remove the belt cover (1).
6. (Figure 19) Loosen the belt guide (9). Pull the belt guide (9) away from the auger drive pulley (10).

7. Pull the **idler pulley (3)** away from the **auger drive belt (4)** and slip the **auger drive belt (4)** off of the **idler pulley (3)**.
8. Remove the **auger drive belt (4)** from the **engine pulley (11)**. To remove the **auger drive belt (4)**, the **engine pulley (11)** may have to be partially rotated.
9. **(Figure 20)** Remove the top four **bolts (21)** that hold together the **auger housing (22)** and the **motor box (23)**. Loosen the bottom two **bolts (24)**. The **auger housing (22)** and the **motor box (23)** can now be split apart for removal of the belt.
10. **(Figure 19)** Remove the old **auger drive belt (4)** from the **auger drive pulley (10)**. Replace the **auger drive belt (4)** with an original factory replacement belt available from an authorized service center.
11. Install the new **auger drive belt (4)** onto the **auger drive pulley (10)**.
NOTE: To assemble the auger housing (22) to the motor box (23), have someone hold the auger clutch lever in the ENGAGED position. This will move the idler arm and pulley (3) enough to allow the auger drive pulley (10) to move back into position.
12. Assemble the **auger housing (22)** to the **motor box (23)** with the four **bolts (21)** that were removed in step 9. Tighten the bottom two **bolts (24)**.
13. Install the **auger drive belt (4)** onto the **engine pulley (11)**.
14. Slip the **auger drive belt (4)** under the **idler pulley (3)**.
15. Adjust the **auger drive belt (4)**. See "How To Adjust The Auger Drive Belt" in the Maintenance section.
16. Adjust the **belt guide (9)**. See "How To Adjust The Belt Guide" in the Maintenance section.
17. **(Figure 18)** Install the **belt cover (1)**. Tighten **screw (2)**.
18. **(Figure 22)** Install the **bottom panel (2)**.
19. Install the **bolts (1)** on each side of the **bottom panel (2)**.
20. Tighten the **bolts (1)** and **bolts (3)** on each side of the **bottom panel (2)**.
21. Check the adjustment of the cables. See "How To Check And Adjust The Cables" in the Maintenance section.
22. Connect the spark plug wire.

How To Remove the Traction Drive Belt

If the snow thrower will not move forward, check the traction drive belt for wear or damage. If the traction drive belt is worn or damaged, replace the belt as follows.

1. Disconnect the spark plug wire.
2. Remove the auger drive belt. See "How To Remove The Auger Drive Belt" in the Maintenance section.

3. **(Figure 19)** Remove the **e-ring (17)** from one end of the **swing plate axle rod (18)**. Remove the **swing plate axle rod (18)** to allow the the swing plate to pivot forward.
4. Remove the **traction drive spring (16)**.
5. Remove the old **traction drive belt (13)** from the **traction drive pulley (14)** and from the **engine pulley (15)**. Replace the **traction drive belt (13)** with an original factory replacement belt available from an authorized service center.
6. Install the new **traction drive belt (13)** onto the **traction drive pulley (14)** and onto **engine pulley (15)**.
7. Make sure the **traction drive idler pulley (12)** is properly aligned with the **traction drive belt (13)**.
8. Attach the **traction drive spring (16)**.
9. Install the **swing plate axle rod (18)** and secure with the **e-ring (17)** removed earlier.
10. **(Figure 32)** The bottom of the **swing plate (20)** must be positioned between the **alignment tabs (19)**. Make sure the **swing plate (20)** is properly secured.
NOTE: If the drive will not engage after the traction drive belt has been replaced, then check to make sure that the swing plate is positioned between the alignment tabs (19).
11. **(Figure 19)** Install and adjust the **auger drive belt (4)**. See "How To Remove The Auger Drive Belt" in the Maintenance section.
12. Adjust the **belt guide (9)**. See "How To Adjust The Belt Guide" in the Maintenance section.
13. **(Figure 22)** Install the **bottom panel (2)**.
14. Tighten the **bolts (3)** on each side of the **bottom panel (2)**.
15. **(Figure 18)** Install the **belt cover (1)**. Tighten **screw (2)**.
16. Check the adjustment of the cables. See "How To Check And Adjust The Cables" in the Maintenance section.
17. Connect the spark plug wire.

How To Adjust The Belt Guide

1. Disconnect spark plug wire.
2. **(Figure 18)** Remove **screw (2)**. Remove the **belt cover (1)**.
3. **(Figure 1)** Engage the **auger drive lever (5)**.
4. **(Figure 23)** Measure the distance between the **belt guide (2)** and **auger drive belt (3)**. The **correct distance (4)** is 1/8 inch (3 mm).
5. If an adjustment is necessary, loosen the mounting bolt for the **belt guide (2)**. Move the **belt guide (2)** to the **correct position (4)**. Tighten the mounting bolt for the **belt guide (2)**.
6. **(Figure 18)** Install the **belt cover (1)**. Tighten **screw (2)**.
7. Connect the spark plug wire.

How To Adjust Or Replace The Friction Wheel

How To Check The Friction Wheel

If the snow thrower will not move forward, check the traction drive belt, the traction drive cable or the friction wheel. If the friction wheel is worn or damaged, it must be replaced. See "How To Replace the Friction Wheel" in this section. If the friction wheel is not worn or damaged, check as follows.

1. **(Figure 1)** Remove the gas from the gas tank. Stand the snow thrower up on the front end of the **auger housing (4)**.



WARNING: Drain the gasoline outdoors, away from fire or flame.

2. Disconnect the spark plug wire.
3. **(Figure 22)** Remove the **bolts (1)** on each side of the **bottom panel (2)**.
4. Loosen the **bolts (3)** on each side of the **bottom panel (2)**.
5. Remove the **bottom panel (2)**.
6. **(Figure 1)** Position the **shift speed lever (6)** in the lowest forward speed.
7. **(Figure 24)** Note the position of the **friction wheel (4)**. The correct distance "A" from the right side of the **friction wheel (4)** to the outside of the motorbox is as follows:

Tire Size	Distance "A"
12 and 13 inch	4-1/8" (10.5 cm)
16 inch	4-5/16" (10.95 cm)

 If the **friction wheel (4)** is not in the correct position, adjust as follows.

How To Adjust The Friction Wheel

1. **(Figure 1)** Position the **shift speed lever (6)** in the lowest forward speed.
2. **(Figure 9)** Loosen hex **jam nut (9)** on **speed select rod (2)**. Remove **ball joint (6)** from **shifter rod (7)**.
3. **(Figure 24)** Move the **friction wheel (4)** to the correct position.
4. **(Figure 9)** Turn the **adaptor (10)** until the **ball joint (6)** is aligned with the mounting hole in the **shifter rod (7)**. When aligned, attach the **ball joint (6)** to the **shifter rod (7)**.
5. **(Figure 22)** Install the **bottom panel (2)**.
6. Install the **bolts (1)** on each side of the **bottom panel (2)**.
7. Tighten the **bolts (1)** and **bolts (3)** on each side of the **bottom panel (2)**.

How To Replace The Friction Wheel

If the friction wheel is worn or damaged, the snow thrower will not move forward. The friction wheel must be replaced as follows.



WARNING: Do not lubricate the disc drive plate or the friction wheel.

1. **(Figure 1)** Remove the gas from the gas tank. Stand the snow thrower up on the front end of the **auger housing (4)**.



WARNING: Drain the gasoline outdoors, away from fire or flame.

2. Disconnect the spark plug wire.
3. **(Figure 28)** Remove the **bolts (1)** on each side of the **bottom panel (2)**.
4. Loosen the **bolts (3)** on each side of the **bottom panel (2)**.
5. Remove the **bottom panel (2)**.
6. **(Figure 29)** Remove the **rear support brace (18)**.
7. **(Figure 30)** Use a 3/16" allen wrench and remove the fastener that secures the right **axle clamp (30)** to the **axle (34)**.
8. Remove the **right wheel (35)**, **axle (34)**, **axle clamp (30)**, and **washer (31)**.
9. **(Figure 28)** Remove the **left wheel (10)** from the **axle (11)**.
10. **(Figure 31)** Remove the fasteners that secure the **axle support (32)** to the motorbox. Remove the **axle support (32)** and **bushing (33)**.
11. Loosen (do not remove) the bolts that secure the **axle bearings (19)** to the motor box.
12. Remove the **clutch/drive sprocket assembly (20)** from the **axle (11)**.
13. **(Figure 32)** Remove the four **bolts (16)** that hold the **bearings (7)** on each side of the **hex shaft (8)**.
14. **(Figure 33)** Remove the **hex shaft (8)** and **bearings (7)**.
NOTE: Take special note of the position of the washers (13).
15. **(Figure 26)** Remove the three **fasteners (4)** that hold the **friction wheel (5)** to the **hub (6)**.
16. **(Figure 26)** Remove the **friction wheel (5)** from the **hub (6)**. Slip the **friction wheel (5)** off the **hex shaft (8)**.
17. Assemble the new **friction wheel (5)** onto **hub (6)** with the fasteners removed earlier.
18. **(Figure 33)** Install the **hex shaft (8)** and **bearings (7)** with the four bolts removed earlier.
Make sure the washers (17) are properly installed in the original position. Also, make sure the two washers (13) are properly aligned with the actuator arms (14).
19. Make sure the **hex shaft (8)** turns freely.
20. To install the remaining parts, reverse the above steps.

21. Check the adjustment of the friction wheel. See "How To Adjust The Friction Wheel" in this section.
22. Make sure the friction wheel and the disc drive plate are free from grease or oil.
23. **(Figure 28)** Install the **bottom panel (2)**.
24. Install the **bolts (1)** on each side of the **bottom panel (2)**.
25. Tighten the **bolts (1)** and **bolts (3)** on each side of the **bottom panel (2)**.
26. Connect the spark plug wire.

How To Replace the Auger Shear Bolt

The augers are secured to the auger shaft with special shear bolts. These shear bolts are designed to break and protect the machine if an object becomes lodged in the auger housing. Do not use a harder bolt as the protection provided by the shear bolt will be lost.



WARNING: For safety and to protect the machine, use only original equipment shear bolts.

To replace a broken shear bolt, proceed as follows. Extra shear bolts were provided in the assembly parts bag.

1. **(Figure 1)** Stop the engine. Disengage all controls.
2. Disconnect the spark plug wire. Make sure all moving parts have stopped.
3. **(Figure 14)** Lubricate the auger shaft **Zerk fitting (1)**, if equipped, with a grease gun.
4. **(Figure 25)** Align the hole in the auger with the hole in the auger shaft. Install the new **shear bolt (2)**, **spacer (3)**, and **locknut (4)**.
NOTE: If the model has a 33" (84 cm) Auger Housing, the spacer (3) is not required.
5. Connect the spark plug wire.

How To Prepare The Snow Thrower For Storage



WARNING: Do not remove gasoline while inside a building, near a fire, or while you smoke. Gasoline fumes can cause an explosion or a fire.

If the snow thrower is to be stored for an extended period, refer to the engine manufacturer's operating manual (included with some models) for important maintenance or storage details.

1. Drain the fuel tank.
2. Let the engine run until it is out of gasoline.

3. Never store the snow thrower with fuel in the tank inside a building where ignition sources are present such as hot water and space heaters, clothes dryers, and the like. Allow the engine (motor) to cool before storing in any enclosure.
4. Drain the oil from the warm engine. Fill the engine crankcase with new oil.
5. Remove the spark plug from the cylinder. Pour one ounce (29.6 ml) of oil into the cylinder. Slowly pull the recoil-start grip so that the oil will protect the cylinder. Install a new spark plug in the cylinder.
6. Thoroughly clean the snow thrower.
7. Lubricate all lubrication points. See the Maintenance section.
8. Be sure that all nuts, bolts and screws are securely fastened. Inspect all visible moving parts for damage, breakage and wear. Replace if necessary.
9. Cover the bare metal parts of the blower housing, auger, and the impeller with spray rust preventative lubricant.
10. Put the unit in a building that has good ventilation.
11. If the machine must be stored outdoors, block up the snow thrower to be sure the entire machine is off the ground.
12. Cover the snow thrower with a suitable protective cover that does not retain moisture. Do not use plastic.

How To Order Replacement Parts

The replacement parts are shown either on the back pages of this Instruction Book or in a separate Parts List Book.

Use only manufacturer's authorized or approved replacement parts. Do not use attachments or accessories not specifically recommended for this unit. In order to obtain proper replacement parts you must supply the model number (see nameplate).

To obtain replacement parts, contact your local Dealer.

Replacement parts for the engine, transaxle, or transmission, are available from the manufacturer's authorized service centre found in the yellow pages of the telephone directory. Also, see the individual engine or transmission warranties to order replacement parts.

When ordering the following information is required:

- (1) The Model Number
- (2) Serial Number
- (3) Part Number
- (4) Quantity

TROUBLE SHOOTING CHART

TROUBLE	CAUSE	CORRECTION
Difficult starting	Defective spark plug.	Replace spark plug.
	Water or dirt in fuel system.	Use carburetor bowl drain to flush and refill with fresh fuel.
Engine runs erratic	Blocked fuel line, empty gas tank, or stale gasoline.	Clean fuel line; check fuel supply; add fresh gasoline.
Engine stalls	Unit running on CHOKE.	Set choke lever to RUN position.
Engine runs erratic; Loss of power	Water or dirt in fuel system.	Use carburetor bowl drain to flush and refill with fresh fuel.
Excessive vibration	Loose parts: damaged impeller.	Stop engine immediately and disconnect spark plug wire. Tighten all bolts and make all necessary repairs. If vibration continues, have the unit serviced by a competent repairman.
Unit fails to propel itself	Drive belt loose or damaged.	Replace drive belt.
	Incorrect adjustment of traction drive cable.	Adjust traction drive cable.
	Worn or damaged friction wheel.	Replace friction wheel.
Unit fails to discharge snow	Auger drive belt loose or damaged.	Adjust auger drive belt; replace if damaged.
	Auger control cable not adjusted correctly.	Adjust auger control cable.
	Shear bolt broken.	Replace shear bolt.
	Discharge chute clogged.	Stop engine immediately and disconnect spark plug wire. Clean discharge chute and inside of auger housing.
	Foreign object lodged in auger.	Stop engine immediately and disconnect spark plug wire. Remove object from auger.

TABLE DES MATIÈRES

SYMBOLES DE DANGERS ET LEURS SIGNIFICATIONS	18
SYMBOLES DE DANGERS ET LEURS SIGNIFICATIONS	18
MONTAGE	23
FONCTIONNEMENT	24
TABLEAU DE MAINTENANCE	26
MAINTENANCE	26
TABLEAU DE DEPANNAGE	30

Les figures (exemple : Figure 1) sont situées à l'intérieur de la première et de la dernière page de ce manuel, avant la liste des pièces.

Informations générales

Ce manuel d'instruction est écrit pour une personne qui possède quelques compétences mécaniques. Comme dans la plupart des manuels d'entretien, toutes les étapes ne sont pas décrites. Les étapes qui concernent le dévissage où le serrage des attaches sont des étapes que n'importe qui peut suivre avec un minimum de connaissances mécaniques. Lisez et suivez ces instructions avant d'utiliser votre équipement.

Connaissez votre produit : Si vous comprenez votre équipement et comment il fonctionne, vous obtiendrez les meilleures performances possibles. Pendant que vous lisez ce manuel, comparez les illustrations et l'équipement. Apprenez l'emplacement et les fonctions des commandes. Pour aider à prévenir les accidents, suivez les instructions de fonctionnement et les règles de sécurité. Conserver ce manuel pour référence future.

IMPORTANT : De nombreuses unités ne sont pas assemblées et sont vendues dans des cartons. Il est de la responsabilité du propriétaire de s'assurer que les instructions d'assemblage contenues dans ce manuel sont suivies à la lettre. D'autres unités sont achetées entièrement assemblées. Sur les unités déjà assemblées, il est de la responsabilité du propriétaire de s'assurer que l'unité est correctement assemblée. Le propriétaire doit vérifier l'unité avec attention en accord avec les instructions trouvées dans ce manuel avant la première utilisation.

Besoin d'aide ?

Si vous avez besoin d'informations supplémentaires sur l'assemblage, le fonctionnement et l'entretien de votre équipement, veuillez communiquer avec votre détaillant.

Un mot de signalisation (DANGER, AVERTISSEMENT, ou PRUDENCE) est utilisé avec le symbole d'alerte pour indiquer la possibilité de blessures et leurs degrés de sévérité. En complément, un symbole de danger peut être utilisé pour représenter le type de danger.



DANGER indique un risque qui, s'il n'est pas évité, **entraînera la mort ou de sérieuses blessures.**



AVERTISSEMENT indique un risque qui, s'il n'est pas évité, **pourrait entraîner la mort ou de sérieuses blessures.**



PRUDENCE indique un risque qui, s'il n'est pas évité, **pourrait entraîner des blessures mineures ou modérées.**

PRUDENCE lorsque utilisé **sans** le symbole d'alerte, indique une situation qui **pourrait endommager l'équipement.**

Commandes et caractéristiques de l'équipement (voir Figure 1)

Levier d'entraînement des roues (1) – Sélectionne la marche avant ou la marche arrière.

Manivelle (2) – Change la direction de la goulotte d'éjection.

Goulotte d'éjection (3) – Change la distance d'éjection de la neige.

Goulotte d'éjection (4) – Change la direction d'éjection de la neige.

Levier de fraise (5) – Démarre et arrête la fraise (ramassage et éjection de la neige) qui propulse également la déneigeuse.

Levier de vitesse (6) – Sélectionne la vitesse du chasse-neige.

Patin de réglage de la hauteur (7) – Régle la garde au sol du carter de la fraise.

Coupe-neiges (18) – (si la machine en est équipée) Ils taillent un chemin dans la neige d'une profondeur supérieure à celle du carter de la fraise.

Les vis de cisaillement (19) – Afin de protéger la machine, des vis de cisaillement sont conçues spécialement pour se briser si un objet se trouve coincé dans le carter de la fraise. L'utilisation d'une vis plus résistante retire la protection fournie par la vis de cisaillement.

Levier de commande du déversoir (20) – Contrôle la distance à laquelle la neige est projetée.

Bouton des poignées chauffées (21) – Met en marche le chauffage des poignées.

Caractéristiques du moteur

Clé de sécurité (8) – Doit être introduite pour démarrer le moteur.

Bouton d'amorçage (9) – Injecte de l'essence directement dans le carburateur pour un démarrage rapide par temps froid.

Bouton de démarrage électrique (10) – Sur les modèles à démarrage électrique, sert à démarrer le moteur.

Boîte de contacteur (11) – Sur les modèles à démarrage électrique, sert à brancher une rallonge électrique de 220 volts.

Poignée de démarreur à rappel (12) – Utilisé pour un démarrage manuel du moteur.

Accélérateur (13) – (si la machine en est équipée) Contrôle la vitesse du moteur.

Interrupteur d'arrêt (13) – (si la machine en est équipée) pour arrêter le moteur.

Commande du starter (14) – Utilisé pour un démarrage à froid du moteur.



Ce manuel contient des informations de sécurité destinées à vous faire prendre conscience des dangers et des risques associés avec les déneigeuses, et à comment les éviter. La déneigeuse est conçue pour être utilisée pour le déblayage de la neige, et ne doit pas être utilisée à d'autres fins. Il est important que vous lisiez et que vous compreniez ces instructions, et que toute personne qui doit faire fonctionner l'équipement lise et comprenne ces instructions.



AVERTISSEMENT

Les gaz échappement du moteur de ce produit contiennent des produits chimiques identifiés par l'état de Californie comme entraînant le cancer, des malformations de naissance, et autres préjudices reproductifs.

Symboles de dangers et leurs significations

Ces symboles sont utilisés sur votre équipement et sont définis dans votre manuel de fonctionnement. Revoquez et comprenez ce qu'ils veulent dire. L'utilisation de l'un de ces symboles en combinaison avec un mot d'avertissement vous avertira d'un danger potentiel et de comment l'éviter.

	Alerte de sécurité – Identifie les informations de sécurité à propos d'un danger qui peut entraîner des blessures.
	Manuel de l'utilisateur – Lire et comprendre avant d'entreprendre toute activité ou de faire fonctionner l'équipement.
	Fraise rotative
	Impulseur rotative
	Fumées toxiques
	Engrenages en rotation
	Projection d'objets
	Maintenir une distance de sécurité entre vous et l'équipement.
	Ne jamais mettre les mains dans les pièces en rotation.
	Arrêter le moteur et retirer le connecteur de la bougie avant d'effectuer tout travail de maintenance ou de réparation.
	Incendie
	Explosion
	Choc
	Surfaces brûlantes

Symboles de dangers et leurs significations

Ces symboles sont utilisés sur votre équipement et sont définis dans votre manuel de fonctionnement. Il est important que vous revoquez et que vous compreniez la signification de ces symboles. Un manquement de compréhension des symboles peut entraîner des risques de blessures corporelles.

	Huile		Marche avant
	Carburant		Point mort
	Marche Arrêt		Marche arrière
	Pompe d'amorçage		Contact activé
	Manette des gaz		Contact désactivé
	Starter à l'arrêt		Clé de contact
	Starter en marche		Appuyer pour engager le démarreur électrique
	Arrêt		Démarreur électrique
	Lent		Démarrage du moteur
	Rapide		Moteur en marche
	Engager		Moteur à l'arrêt
	Traction		
	Collecteur de la fraise		
	Embrayage de la fraise		
	Embrayage de traction		
	Engager		
	Désengager		
	Déversoir		Déflacteur
	GAUCHE		DROIT
	HAUT		BAS



! DANGER

Évitez la mort ou les blessures sérieuses entraînées par la rotation de la fraise.

Gardez les mains et les habits à distance.

Le désengorgement de la goulotte d'éjection est une activité dangereuse.

- Ne jamais tenter de désengorger la fraise de la présence de débris ou de neige compactée lorsque l'équipement est engagé ou que le moteur est en marche.
- Arrêter le moteur est débrancher le fil de la bougie lors d'une intervention d'entretien sur l'équipement.
- Ne jamais laisser l'équipement sans surveillance lorsque le moteur est en marche. Toujours désengager les commandes de la fraise et de la traction, arrêter le moteur, et enlever les clés.
- Maintenir les enfants, les animaux domestiques, et les autres personnes hors de la région de fonctionnement. Les enfants sont souvent attirés par l'équipement. Soyez conscient de toutes les personnes présentes.
- Maintenir les vêtements flottants à bonne distance de l'avant de la déneigeuse et de la fraise. Les écharpes, les mitaines, les cordons de serrage, les vêtements lâches et les pantalons peuvent être rapidement happés dans le dispositif rotatif et entraîner un démembrement. Attacher les cheveux longs et enlever les bijoux.
- La déneigeuse ne doit être utilisée que pour le déblayage de la neige. Ne pas l'utiliser à d'autres fins que celles pour lesquelles elle a été conçue.
- Ne pas effectuer le déneigement en travers d'une pente. Exercer une extrême prudence lors du changement de direction dans des pentes. Ne pas essayer de dégager des pentes abruptes.
- Ne pas utiliser la déneigeuse sur des surfaces situées au-dessus du niveau du sol telles que des toitures de résidence, garages, des vérandas ou de toute autre structure ou bâtiment.



! DANGER

Des objets peuvent être happés par la fraise et éjectés au travers la goulotte.

Ne jamais projeter la neige vers des personnes ou des voitures, et ne jamais laisser personne se tenir devant la déneigeuse.

- Soyez conscients de votre environnement lors de l'utilisation de l'équipement. Le passage au-dessus de certains éléments tels que du gravier, des tapis de sol, des journaux, des jouets, et des pierres cachées sous la neige, peut entraîner une projection de ces objets ou un blocage de la fraise.
- Soyez toujours conscient de la direction dans laquelle la neige est projetée. Les piétons environnants, les animaux domestiques, ou les propriétés, peuvent être blessés ou endommagés par des projections d'objets.
- Familiarisez-vous avec la région dans laquelle vous allez travailler. Marquez les limites des trottoirs et des allées pour éviter d'endommager les propriétés, ainsi que la projection d'objets.
- Procédez avec prudence lors du déblayage de régions peu familières. Restez en alerte au cas où des dangers ou une circulation cachées surviendraient.
- Après avoir heurté un objet étranger, coupez le moteur, attendez que toutes les pièces en mouvement s'immobilisent, et vérifiez immédiatement que l'équipement n'est pas endommagé. Si vous détectez des dommages, effectuez les réparations nécessaires avant de démarrer et de faire fonctionner la déneigeuse.
- Avec le moteur à l'arrêt, vérifiez que toutes les pièces en mouvement sont à l'arrêt et toujours utiliser un bâton pour nettoyer la goulotte d'éjection.
- Couper le moteur si l'équipement émet des vibrations anormales. Des vibrations sont généralement un avertissement de problèmes. Consulter un concessionnaire agréé pour effectuer des réparations si nécessaire.



! DANGER

La goulotte d'éjection contient un impulsor rotatif pour éjecter la neige. Ne jamais nettoyer la goulotte d'éjection avec les mains, ou pendant que le moteur est en fonctionnement.

Les doigts peuvent être rapidement happés et une amputation ou de sévères lacerations peuvent être encourues.

- Déboucher la chute d'évacuation constitue une activité dangereuse.
- Ne jamais placer vos mains dans ou à proximité de la goulotte d'éjection.
- Le moteur étant à l'arrêt, attendre que toutes les pièces mobiles soient à l'arrêt, puis à l'aide d'un bâton, nettoyez la goulotte.
- De la neige compactée peut masquer d'autres obstructions dans la goulotte et entraîner un endommagement de l'équipement, de la turbine, ou de la fraise. Prendre toutes les précautions nécessaires lors du redémarrage de l'équipement après le nettoyage de la neige.



! AVERTISSEMENT

Les moteurs émettent du monoxyde de carbone, un gaz toxique inodore et incolore.

L'inhalation du monoxyde de carbone peut entraîner des nausées, des pertes de conscience ou la mort.

- Démarrer et faire fonctionner le moteur à l'extérieur.
- Ne pas démarrer ou faire fonctionner un moteur dans un endroit fermé, même si les portes ou les fenêtres sont ouvertes.



AVERTISSEMENT



L'essence et ses vapeurs sont extrêmement inflammables et explosives.

Un incendie ou une explosion peut entraîner de sévères brûlures ou la mort.

LORS DU REMPLISSAGE DU RÉSERVOIR

- Coupez le moteur et laissez le moteur refroidir pendant au moins deux minutes avant d'enlever le bouchon du réservoir d'essence.
- Remplir le réservoir d'essence à l'extérieur- ou dans une région bien ventilée.
- Ne pas faire déborder le réservoir d'essence.
- Maintenir l'essence à distance des étincelles, des flammes, des veilleuses, de la chaleur, et autres sources d'allumage.
- Vérifier fréquemment les durites d'essence, le réservoir, le bouchon, et les raccords à la recherche de fissures ou de fuites. Remplacer si nécessaire.

LORS DU DÉMARRAGE DU MOTEUR

- S'assurer que les bougies, le pot d'échappement, le bouchon du réservoir d'essence, et le filtre à air sont en place.
- Ne pas tenter de faire tourner le moteur si la bougie n'est pas présente.
- Si de l'essence est renversée, attendre qu'elle soit évaporée avant de démarrer le moteur.
- Si le moteur se noie, placer le starter sur la position OPEN/RUN (OUVERT/MARCHE), placer la manette des gaz sur la position FAST (RAPIDE) et faire tourner le moteur à l'aide du démarreur jusqu'à ce que le moteur démarre.

LORS DU FONCTIONNEMENT DE L'ÉQUIPEMENT

- Ne pas étouffer le carburateur pour arrêter le moteur.

LORS DU TRANSPORT DE L'ÉQUIPEMENT


- Effectuer le transport avec le réservoir d'essence VIDE.

LORS DE L'ENTREPOSAGE D'ESSENCE OU DE L'ÉQUIPEMENT AVEC DE L'ESSENCE DANS LE RÉSERVOIR

- Entreposer à distance de chaudières, de poêles, de chauffe-eau ou d'autres appareils qui possèdent une veilleuse ou autre sources d'allumage car celles-ci peuvent enflammer les vapeurs d'essence.

RÈGLES D'UTILISATION DANS DES CONDITIONS DE SÉCURITÉ



AVERTISSEMENT : La machine est capable d'amputer des mains ou des pieds et de rejeter des objets. Lisez ces consignes de sécurité et suivez-les à la lettre. Un manquement à ces consignes pourrait entraîner une perte de contrôle de la machine, de sérieuses blessures ou même la mort, ou causer des dégâts matériels. Le triangle  situé dans le texte indique un danger ou une mise en garde qui doit être respecté.

Conditions d'utilisation en toute sécurité d'une souffleuse à neige

IMPORTANT : Les normes de sécurité impliquent la présence de l'opérateur aux commandes afin de minimiser les risques de blessure. Votre souffleuse à neige est équipée de ces commandes. En aucun cas, vous ne devez essayer de contourner la présence de l'opérateur aux commandes.

Formation

1. Lisez, comprenez, et suivez toutes les consignes sur la machine et dans le manuel avant d'utiliser cette machine. Familiarisez-vous complètement avec les commandes et l'utilisation appropriée de cet équipement. Sachez comment débrayer les commandes et arrêter la machine rapidement.
2. Ne laissez jamais les enfants utiliser la machine. Ne laissez jamais les adultes utiliser la machine sans rappeler les consignes de sécurité.
3. Tenez les personnes, et en particulier les petits enfants et les animaux à l'écart de la zone de traitement.
4. Agissez avec prudence afin d'éviter de glisser ou de tomber en particulier lorsque vous reculez.

Préparation

1. Inspectez complètement la zone de traitement et enlevez les paillassons, les luges, les planches, les câbles et tous les autres objets étrangers à l'équipement.
2. Débrayez tous les embrayages et mettez au point mort avant de démarrer la machine (moteur).
3. N'utilisez jamais l'équipement sans porter une tenue d'hiver appropriée. Portez des bottes qui résistent aux surfaces glissantes. Évitez de porter des vêtements larges qui pourraient se prendre dans des pièces mobiles.
4. Manipulez l'essence avec précaution, elle est hautement inflammable.
 - a. Utilisez un récipient à essence homologué.
 - b. N'ajoutez jamais d'essence dans un moteur chaud ou en marche.
 - c. Remplissez le réservoir d'essence avec une extrême précaution à l'extérieur. Ne remplissez jamais le réservoir d'essence à l'intérieur. Revissez le bouchon du réservoir à fond et essuyez l'essence répandue.
 - d. Ne remplissez jamais des récipients à l'intérieur d'un véhicule, d'un camion ou d'une remorque avec une bâche en plastique. Placez toujours les récipients sur le sol, loin des véhicules, avant de les remplir.
 - e. Si cela est plus pratique, enlevez les appareils fonctionnant à l'essence du camion ou de la remorque et remplissez-les à même le sol. Si ce n'est pas possible, alors remplissez avec un récipient portable plutôt qu'à partir du gicleur du distributeur de carburant.
 - f. Maintenez le gicleur en contact avec le bord du réservoir de carburant ou l'ouverture du récipient jusqu'à ce que le remplissage soit complet. N'utilisez pas un outil de fermeture/ouverture de gicleur.
 - g. Revissez le bouchon du réservoir à fond et essuyez l'essence répandue.
 - h. Si de l'essence s'est répandue sur les vêtements, changez-les immédiatement.
5. Utilisez des rallonges et des récipients tel qu'indiqué par le fabricant pour toutes les machines ayant des moteurs à fonctionnement ou à propulsion électrique.

6. Réglez la hauteur du carter du collecteur pour enlever les graviers ou les surfaces pierreuses accidentées.
7. N'essayez jamais de faire des réglages pendant que le moteur marche (sauf si cela est recommandé par le fabricant).
8. Réglez le moteur et la souffleuse selon la température extérieure avant de commencer à enlever la neige.
9. Portez toujours des lunettes de sécurité ou un masque de protection pendant la manoeuvre de la machine ou pendant son réglage ou sa réparation afin de protéger les yeux contre des objets étrangers qui pourraient être rejetés par la machine.
10. N'utilisez jamais la souffleuse sans plaques de protection ou sans autres appareils de sécurité appropriés.

Fonctionnement

1. Ne mettez pas les mains ou les pieds sous les pièces mobiles de la machine. Maintenez toujours la chute propre.
2. Agissez avec une extrême prudence lorsque vous utilisez la machine ou que vous traversez des routes ou des chemins recouverts de graviers. Restez vigilant à l'égard du trafic et des dangers cachés.
3. Si vous rencontrez un objet étranger, arrêtez le moteur, enlevez le câble de la bougie d'allumage, retirez le cordon relié aux moteurs électriques, inspectez complètement la souffleuse pour vérifier qu'il n'y a pas de dommages et réparez les dommages avant de redémarrer et de manoeuvrer la souffleuse.
4. Si la machine vibre anormalement, arrêtez le moteur et cherchez-en immédiatement la cause. Les vibrations sont généralement l'expression d'un problème.
5. Arrêtez le moteur lorsque vous quittez votre poste avant de désencrasser le collecteur/rotor ou la chute, et lorsque vous effectuez des réparations.
6. Lorsque vous nettoyez, réparez ou inspectez, assurez-vous que le collecteur/rotor et toutes les autres pièces mobiles sont arrêtés. Débranchez le câble de la bougie d'allumage et tenez-le à l'écart de la bougie d'allumage afin d'empêcher un démarrage accidentel.
7. N'utilisez pas la machine à l'intérieur d'un bâtiment sauf pour la démarrer et pour la rentrer ou la sortir. Ouvrez les portes extérieures; les émanations des gaz de combustion sont dangereuses (contiennent du MONOXYDE DE CARBONE, un gaz INODORE et MORTEL).
8. Agissez avec une extrême précaution lorsque vous traitez les talus. N'essayez pas de nettoyer les talus abrupts.
9. N'utilisez jamais la souffleuse sans plaques de protection ou sans autres appareils de sécurité appropriés.
10. N'orientez jamais la chute en direction des personnes ou des zones où des biens matériels pourraient être endommagés. Maintenez les enfants à l'écart.
11. Ne dépassez pas les capacités de la machine en essayant d'enlever la neige trop rapidement.
12. Ne manoeuvrez jamais la machine à des vitesses élevées sur des surfaces glissantes. Regardez derrière vous et faites attention lorsque vous reculez.
13. Débranchez l'alimentation du collecteur/rotor lorsque la souffleuse est transportée ou non utilisée.
14. N'utilisez que les appareils et les accessoires recommandés par le fabricant de la souffleuse (tels que cabine, chaînes à pneus, etc.).
15. N'utilisez jamais la souffleuse sans avoir une bonne visibilité ou un bon éclairage. Faites toujours attention où vous mettez les pieds et tenez fermement les poignées de commande. Marchez, mais ne courez jamais.

16. Ne touchez jamais à un moteur chaud ou à un silencieux.
17. N'utilisez jamais la souffleuse près de portes-vitrées, d'automobiles, de fenêtres, de précipices et sans un réglage approprié de l'angle de décharge de la chute de la neige.
18. N'orientez jamais la chute vers des personnes présentes ou ne laissez jamais personne se mettre devant la machine.
19. Ne laissez jamais une machine en marche sans surveillance. Débrayez toujours les commandes de traction et de vis transporteuse, arrêtez le moteur et enlevez les clés.
20. N'utilisez pas la machine sous l'emprise de l'alcool ou de la drogue.
21. N'oubliez pas que vous êtes responsable des accidents qui surviennent à d'autres personnes ou à des biens matériels.
22. Les statistiques indiquent que les utilisateurs âgés de 60 ans et plus sont impliqués pour une large part dans les accidents d'équipements électriques. Ces utilisateurs doivent évaluer leur capacité à utiliser cette machine en toute sécurité afin de se protéger eux-mêmes ainsi que les autres contre d'éventuelles blessures.
23. NE portez PAS de longues écharpes ou de vêtements larges qui pourraient être pris dans des pièces mobiles.
24. La neige peut cacher des obstacles. Assurez-vous que vous avez bien enlevé tous les obstacles de la zone de traitement.

Enfants

Des accidents tragiques peuvent survenir si l'utilisateur n'est pas alerté par la présence d'enfants. Les enfants sont souvent attirés par la souffleuse et l'activité de soufflage de la neige. N'oubliez pas que les enfants restent là où vous les avez vu en dernier.

1. Maintenez les enfants en dehors de la zone de traitement et sous la surveillance d'un autre adulte responsable.
2. Soyez vigilant et éteignez la machine si des enfants entrent dans la zone de traitement.
3. Ne laissez jamais les enfants utiliser la machine.
4. Soyez extrêmement vigilant lorsque vous vous approchez de coins invisibles, d'arbustes, d'arbres ou d'autres objets qui pourraient vous obscurcir la vue.

Nettoyage d'une chute encrassée

Le contact manuel du rotor en mouvement situé à l'intérieur de la chute représente la cause la plus répandue de blessures associées à des souffleuses. N'utilisez jamais votre main pour nettoyer la chute.

Pour nettoyer la chute:

1. ETEIGNEZ LA MACHINE
2. Attendez 10 secondes afin d'être sûr que la vis/les couteaux du rotor se sont arrêtés de tourner.
3. Utilisez toujours un outil de nettoyage, mais pas vos mains.

Entretien, maintenance et stockage

1. Vérifiez les boulons de cisaillement (goupilles) et les autres boulons à des intervalles réguliers afin de s'assurer qu'ils sont bien serrés et que les conditions de travail sont sûres.

2. Ne rangez jamais la machine avec de l'essence dans le réservoir dans un bâtiment où il existe des sources d'inflammation tels que les chaudières et les chauffe-eau, ou les sèche-linges. Laissez la machine refroidir avant de la ranger dans un endroit clos.
3. Référez-vous toujours au manuel utilisateur pour les détails importants si la souffleuse doit être stockée dans un endroit clos pendant une plus longue période.
4. Conservez ou remplacez les étiquettes des consignes de sécurité si nécessaire.
5. Laissez la machine tourner pendant quelques minutes après le soufflage de la neige afin d'empêcher que le collecteur/rotor ne gèle.
6. Si de l'essence s'est répandue, n'essayez pas de démarrer la machine mais déplacez-la de la zone et évitez de créer une source d'inflammation jusqu'à ce que les vapeurs d'essence se soient dissipées.
7. Respectez toujours les règles de sécurité pour le remplissage et la manipulation de l'essence lorsque vous réalimentez la machine après le transport ou le stockage.
8. Suivez toujours les instructions de service pour le stockage avant de stocker la machine pendant de courtes et de longues périodes.
9. Suivez toujours nstructions de service pour les procédures adéquates de démarrage lorsque vous remettez la machine en service.
10. Resserrez les vis et les boulons et maintenez l'équipement en bon état.
11. Ne changez jamais des appareils de sécurité. Contrôlez leur fonctionnement régulièrement et effectuez les réparations nécessaires s'ils ne fonctionnent pas correctement.
12. Les composants sont sujets à l'usure, aux dommages et aux détériorations. Contrôlez fréquemment les composants et remplacez-les avec des pièces de rechange recommandées par le fabricant, si nécessaire.
13. Contrôlez fréquemment le fonctionnement des commandes. Réglez et entretenez tel qu'indiqué.
14. N'utilisez que des pièces de rechange homologuées lorsque vous faites des réparations.
15. Respectez toujours les consignes du fabricant lors des réglages.
16. Il n'y a que les lieux de réparation autorisés qui peuvent être utilisés pour l'entretien complet et les réparations exigées.
17. N'essayez jamais d'effectuer des réparations importantes sur cette machine à moins d'y avoir été préparé. Les procédures d'entretien non conventionnelles peuvent déboucher sur un fonctionnement aléatoire, des équipements endommagés et la suspension de la garantie du fabricant.

Emissions

1. Les gaz de combustion contiennent des produits chimiques qui sont réputés pour provoquer selon certaines quantités des cancers, des fausses couches, ou d'autres problèmes de ce genre.
2. Si possible, recherchez les émissions pertinentes, les périodes de durabilité et les informations sur l'état de l'air sur l'étiquette concernant les émissions de la machine.

Système d'allumage

1. Ce système d'allumage par étincelle est conforme au ICES-002 canadien.

MONTAGE

Lire et suivre les instructions de montage et de réglage de votre chasse-neige. Toutes les attaches se trouvent dans le sac de pièces détachées. Ne jeter aucune pièce avant d'avoir monté la machine.



AVERTISSEMENT : Avant de monter le chasse-neige ou de procéder à son entretien, retirer le câble de la bougie.

REMARQUE : Dans ce manuel, la gauche et la droite désignent l'emplacement d'une pièce par rapport à la position du conducteur à l'arrière de la machine.

REMARQUE : Le couple de torsion se mesure en Newton-mètre (pieds-livre). Il permet d'évaluer le serrage d'un boulon ou d'une vis. Le couple de torsion se mesure à l'aide d'une clé dynamométrique.

REMARQUE : Les fixations et pièces en vrac fournies sont illustrées grandeur nature dans la figure 2 à la page 175.

REMARQUE : Des illustrations sont présentes à la page 2 et sur les pages 176 à 181.

OUTILS NÉCESSAIRES

- 1 Couteau
- 1 Pince
- 2 Clé de 1/2 pouces
- 2 Clé de 9/16 pouces
- 2 Clé de 3/4 pouces
- 1 Mètre ruban ou règle
- 1 Tournevis

Retrait du chasse-neige de son carton d'emballage

1. (Figure 3) Le chasse-neige est illustré dans sa position à l'expédition.
2. Couper les quatre coins du carton et rabattre les côtés du panneau ou utiliser la languette pour retirer la boîte.
3. Couper et jeter les liens de plastique attachant le levier.
4. Repérer toutes les pièces emballées séparément et les retirer du carton.
5. Retirer et jeter le matériel d'emballage du chasse-neige.
6. (Figure 1) Pour faciliter le transport, les patins de réglage de la hauteur (7) sont fixés sur la palette. Retirer les vis (17) attachant chacun des patins de réglage de la hauteur (7) à la palette.
7. Agripper la poignée inférieure et tirer le chasse-neige hors de la palette.

PRUDENCE : NE PAS rouler sur les câbles.

8. Retirer l'emballage de l'ensemble guidon.
9. Couper les brides maintenant les câbles de commande d'embrayage (1) du guidon inférieur (2). Eloigner les câbles du châssis du moteur.

Montage de la poignée

1. (Figure 4) Dévisser, mais sans les retirer, les fixations (1) dans les trous supérieurs de la poignée inférieure (3).

2. Retirer toutes les fixations et le boulon à oeillet de la manivelle (11) des trous inférieurs de la poignée inférieure.
 3. (Figure 1) Mettre le levier de vitesse (6) en première vitesse de la marche avant.
 4. (Figure 4) Soulever la poignée supérieure (2) et la mettre en position de fonctionnement.
- REMARQUE** : S'assurer que les câbles ne se prennent pas entre la poignée inférieure et la poignée supérieure.
5. Remonter les fixations démontés à l'étape 2. NE PAS visser avant que toutes les fixations soient en place.
 6. Visser toutes les fixations de la poignée.

Montage de la tringle du sélecteur de vitesse

1. (Figure 9) Fixer le joint sphérique (6), situé à l'extrémité inférieure de la tringle du sélecteur de vitesse (2), à l'ensemble de la fourchette (7). Les fixations (8) ont été attachées au joint sphérique (6) en usine.

La longueur du joint sphérique (6) et la tringle du sélecteur de vitesse (2) ont été pré-réglées en usine. Si un ajustement est nécessaire, desserrer l'écrou (9). Retirer les attaches (8) pour détacher le joint sphérique (6) de l'ensemble de la fourchette (7). Pour allonger ou raccourcir la tringle du sélecteur de vitesse (2), tourner l'adaptateur (10) pour obtenir la longueur correcte.

2. (Figure 12) Fixer la poignée (11) sur le levier du sélecteur de vitesse (5). Sur certains modèles, la poignée (11) est déjà fixée. Pour verrouiller en position, serrer l'écrou hexagonal de blocage (10) contre le bas de la poignée (11).
3. S'assurer que le levier du sélecteur de vitesse (5) fonctionne correctement. Passer le levier du sélecteur de vitesse (5) à toutes les vitesses.

Montage des boutons

REMARQUE : Passer à la section suivante si les boutons sont déjà installés.

Bouton du déversoir (Figure 12)

1. Monter le bouton du déversoir (1) sur le levier (3) jusqu'à ce qu'il soit placé contre l'écrou (2). Sur certains modèles, le bouton du déversoir (1) est déjà fixé.
2. Veiller à ce que le rebord (4) du déversoir (1) soit dirigé vers le moteur.
3. Serrer l'écrou (2) contre la base du bouton du déversoir (1).

Montage du déflecteur

1. (Figure 6) Retirer le boulon à tête ronde (1).
2. Lever le déversoir (2) de façon à le mettre en position de fonctionnement (3).
3. Visser le déversoir (2) sur l'embase (4) à l'aide des boulons à tête ronde (1). Veiller à ce que la tête de chaque boulon (1) se trouve à l'intérieur de l'embase (2).
4. Visser les boulons à l'aide des rondelles (5) et des écrous de blocage (6).
5. Bien serrer les écrous de blocage (6).

REMARQUE : S'assurer que tous les boulons à tête ronde vissés sur l'embase soient bien serrés. NE PAS VISSER TROP FORT.

Vérification des câbles

1. (Figure 8) Vérifier le câble d'entraînement des roues (1) et le câble d'entraînement de la fraise hélicoïdale (2). Si la partie inférieure des câbles a été débranchée, réinstaller les câbles.
2. (Figure 10) Si la partie supérieure des câbles (5) s'est détachée des leviers d'avancée (6), attacher les câbles (5) au support en forme de « Z » (7).

Réglage de la hauteur des patins (Figure 1)

Le chasse-neige est équipé de patins à hauteur réglables (7) montés à l'extérieur du carter de la fraise hélicoïdale (4). Pour effectuer le réglage de la hauteur des patins, voir « Réglage de la hauteur des patins » dans la section Entretien.

Réglage de la longueur des câbles

Les câbles ont été ajustés en usine et aucun réglage ne devrait être nécessaire. Cependant, lors de la mise des poignées en position de fonctionnement, les câbles peuvent être trop tendus ou trop lâches. Dans le cas où un réglage s'avère nécessaire, consulter la rubrique « Vérification et réglage des câbles » dans la section Maintenance et réglage.

Montage des coupe-neiges (si la machine en est équipée)

Les coupe-neiges servent à ouvrir un passage dans la neige lorsque celle-ci est plus profonde que le carter de la fraise.

1. (Figure 11) Desserrer les écrous à oreilles (2) rattachant les coupe-neiges (1) au carter de la fraise.
2. Remonter les coupe-neiges (1) à la hauteur souhaitée.
3. Resserrer les écrous à oreilles (2).

Préparation du moteur

REMARQUE : Le moteur a quitté l'usine rempli d'huile. Vérifier le niveau d'huile. En ajouter autant que nécessaire. Suivre les instructions du fabricant de ce moteur au sujet de l'utilisation de l'essence et de l'huile. Le moteur ne contient pas d'ESSENCE.



AVERTISSEMENT : Suivre les instructions du fabricant du moteur pour connaître le type de carburant et d'huile à utiliser. Toujours utiliser un bidon à essence de sûreté. Ne pas fumer en remplissant le réservoir d'essence. Ne pas faire le plein à l'intérieur d'un bâtiment. Arrêter le moteur avant d'ajouter de l'essence. Laisser refroidir le moteur quelques minutes.

Vérifier le niveau d'huile. Voir les instructions du fabricant du moteur pour connaître le type de carburant et d'huile à utiliser. Avant d'utiliser la machine, lire les informations concernant la sécurité, le fonctionnement, l'entretien et le remisage.

Important ! Avant utilisation

- ❑ Vérifier les fixations et s'assurer qu'elles sont toutes bien serrées.
- ❑ Pour les modèles à démarrage électrique, la machine est livrée avec le câble de démarrage branché au moteur. Avant utilisation, débrancher le câble de démarrage du moteur.

FONCTIONNEMENT

REMARQUE : Des illustrations sont présentes à la page 2 et sur les pages 176 à 181.

PRUDENCE : N'utiliser que des équipements et des accessoires approuvés par le fabricant de la déneigeuse (tels que des chaînes pour les pneus, des kits de démarrage électrique, etc.).

Se familiariser avec le chasse-neige (Figure 1)

Avant d'utiliser la machine, lire le manuel d'utilisation et les règles de sécurité. Comparer les illustrations avec le chasse-neige pour se familiariser avec l'emplacement des différentes commandes et des réglages.

Commande du déversement de la neige



AVERTISSEMENT : Ne jamais diriger le déversement de la neige en direction des personnes environnantes.



AVERTISSEMENT : Toujours arrêter le moteur avant de déboucher le déversoir ou le carter de la fraise et avant de laisser le chasse-neige.

1. (Figure 5) Actionner le bouton du déversoir (2) pour régler la direction (gauche ou droite) vers laquelle la neige est chassée.
2. Tirer le levier du déversoir (17) en arrière pour projeter la neige haut et loin. Tirer le levier du déversoir (17) en avant pour déverser la neige vers le bas.

Arrêt du chasse-neige (Figure 1)

1. Pour stopper le déversement de la neige, relâcher le levier d'entraînement de la fraise hélicoïdale (5).
2. Pour arrêter les roues, relâcher le levier d'entraînement des roues (1).
3. Pour arrêter le moteur sur les modèles qui possèdent une commande des gaz (13), déplacer d'abord la commande des gaz (13) sur la position LENT, puis la placer sur la position ARRÊT.
4. Pour arrêter le moteur sur les modèles qui possèdent un contacteur d'allumage (13), déplacer le contacteur d'allumage (13) sur la position ARRÊT.
5. Tirer sur la clef de sécurité (8) puis l'enlever.

PRUDENCE : Pour arrêter le moteur, ne pas mettre la commande du starter en position STARTER car cela peut entraîner un retour de flamme ou des dommages au moteur.

Avancer et reculer (Figure 1)

1. Pour modifier la vitesse au sol, relâcher d'abord le levier d'entraînement des roues (1), puis changer la position de la manette d'accélération (6) à la vitesse désirée.

2. La vitesse au sol dépend des conditions d'enneigement. Sélectionner la vitesse en déplaçant la manette d'accélération (6) dans le cran désigné sur la plaque de l'accélérateur.

Vitesse 1, 2	Humide, lourde
Vitesse 3	Légère
Vitesse 4	Très légère
Vitesse 5, 6	Déplacement uniquement

3. Pour avancer, embrayer le levier d'entraînement des roues (1). Garder une poigne ferme sur la poignée alors que le chasse-neige commence à avancer. Guider le chasse-neige en déplaçant la poignée vers la droite ou vers la gauche. Ne pas essayer de pousser le chasse-neige.
4. Pour reculer, relâcher le levier d'entraînement des roues (1).
5. Mettre la manette d'accélération (6) soit en première vitesse ou seconde vitesse de la marche arrière.
6. Engager le levier d'entraînement des roues (1).

IMPORTANT : Ne pas déplacer la manette d'accélération (6) lorsque le levier d'entraînement des roues (1) est embrayé.

Déblaiement de la neige (Figure 1)

1. Embrayer le levier d'entraînement de la fraise hélicoïdale (5).
2. Pour arrêter de déblayer la neige, relâcher le levier d'entraînement de la fraise hélicoïdale (5).



AVERTISSEMENT : L'utilisation de tout chasse-neige peut causer la projection de corps étrangers dans les yeux, ce qui peut laisser de sévères séquelles à la vision. Toujours porter des lunettes de protection ou une visière protectrice lors de l'utilisation du chasse-neige. Nous recommandons des lunettes de sécurité standard ou l'utilisation d'un masque de sécurité à vision élargie au dessus de vos lunettes.

Utilisation du chauffage des poignées (Figure 5)



AVERTISSEMENT : Le chauffage des poignées est conçu pour être utilisé quand la température est inférieure à 32 degrés F (ou 0 degrés celsius). Ne pas utiliser si la température est supérieure à 32.

Quand la température tombe en-dessous de 32 degrés, utiliser le chauffage des poignées pour garder vos mains au chaud. Passer le bouton de chauffage des poignées (20) en position ON (marche). Il faut compter environ deux minutes pour que les poignées chauffent. Il est conseillé de porter des gants car les poignées peuvent devenir très chaudes. Éteindre le chauffage des poignées si les poignées deviennent trop chaudes.

Avant de démarrer le moteur

1. Avant de démarrer ou de réparer le moteur, se familiariser avec le chasse-neige. Prendre soin de bien comprendre la fonction et l'emplacement de toutes les commandes.
2. Vérifier la tension du câble d'embrayage avant de démarrer le moteur. Voir « Réglage du câble d'embrayage » dans la section Entretien de ce manuel.

3. Veiller à ce que toutes les fixations soient serrées.
4. Veiller à ce que les patins de réglage de la hauteur soient correctement réglés. Voir « Réglage de la hauteur des patins » dans la section Entretien de ce manuel.
5. Vérifier la pression des pneumatiques. La pression correcte est de 1 BAR (14 PSI) à 1,25 BAR (17 PSI). Ne pas dépasser la pression maximale inscrite sur le flanc des pneumatiques.

Arrêt du moteur (Figure 1)

1. Pour arrêter le moteur sur les modèles qui possèdent une commande des gaz (13), déplacer d'abord la commande des gaz (13) sur la position LENT, puis la placer sur la position ARRÊT.
2. Pour arrêter le moteur sur les modèles qui possèdent un contacteur d'allumage (13), déplacer le contacteur d'allumage (13) sur la position ARRÊT.
3. Tirer sur la clef de sécurité (8) puis l'enlever. Garder la clé de démarrage (8) en lieu sûr. Le moteur ne peut pas démarrer sans la clé de sécurité (8).

PRUDENCE : Pour arrêter le moteur, ne pas mettre la commande du starter en position STARTER car cela peut entraîner un retour de flamme ou des dommages au moteur.

Démarrage du moteur (Figure 1)

Modèles équipés d'un starter électrique

REMARQUE : Un kit de starter électrique peut être rajouté aux moteurs à démarrage à rappel. Les kits de starter électrique sont disponibles dans votre centre de maintenance agréé le plus proche.



AVERTISSEMENT : Le starter est équipé d'une rallonge trifilaire conçue pour fonctionner avec du courant domestique de 220 volts CA. La rallonge doit être mise à la terre en permanence afin d'éviter l'éventualité d'une électrocution pouvant blesser le conducteur. Suivre attentivement les instructions dans la section « Démarrage du moteur ». Assurez-vous que le câblage électrique de votre maison est trifilaire avec prise de terre. En cas d'incertitude, consulter un électricien. Si le câblage électrique de votre maison n'est pas trifilaire avec prise de terre, ne pas utiliser ce starter électrique, en quelque circonstance que ce soit. Si votre système électrique est relié à la terre, mais qu'une prise trifilaire n'est pas disponible pour démarrer le moteur, faites-en installer une par un électricien agréé. Pour brancher une rallonge de 220 volts CA, toujours brancher d'abord la rallonge sur la prise de contact (11) du moteur. Brancher ensuite l'autre bout de la rallonge dans la prise trifilaire. Pour débrancher la rallonge électrique, toujours débrancher d'abord le bout de la prise trifilaire reliée à la terre.

Démarrage à froid (Figure 1)

1. S'assurer que le moteur contient une quantité d'huile suffisante.
2. Remplir le réservoir avec de l'essence ordinaire sans plomb. Voir « Préparation du moteur ».

3. Veiller à ce que le **levier d'entraînement des roues (1)** et le **levier d'entraînement de la fraise (5)** soient en position débrayée (relâchée).
4. Pour démarrer le moteur sur les modèles qui possèdent une **commande des gaz (13)**, déplacer la **commande des gaz (13)** sur la position RAPIDE. Faire fonctionner le moteur avec la **commande des gaz (13)** sur la position RAPIDE.
5. Pour démarrer le moteur sur les modèles qui possèdent un **contacteur d'allumage (13)**, déplacer le **contacteur d'allumage (13)** sur la position MARCHÉ.
6. Insérer la **clef de sécurité (8)** dans la fente de la clef du moteur. S'assurer que la **clef de sécurité (8)** est complètement insérée. **Ne pas tourner la clé de sécurité (8)**.
7. Mettre la **commande de starter (14)** en sa position maximale.
8. (**Démarrage électrique**) Brancher la rallonge électrique à la **prise de contact (11)** située sur le moteur.
9. (**Démarrage électrique**) Brancher l'autre bout de la rallonge électrique à une prise trifilaire reliée à la terre de 220 volts CA. (Voir le paragraphe AVERTISSEMENT de cette section).
10. Appuyer sur le bouton **d'amorçage (9)**. Chaque fois que vous appuyez sur le **bouton d'amorçage (9)**, attendez deux secondes. Pour connaître le nombre de fois que l'on doit appuyer sur le **bouton d'amorçage (9)**, consulter les instructions données par le fabricant du moteur.
11. (**Démarrage électrique**) Appuyer sur le **bouton de démarrage électrique (10)** jusqu'à ce que le moteur démarre. Ne pas faire tourner le démarreur pendant plus de 5 secondes de suite. Attendre une minute entre chaque tentative de démarrage pour permettre au démarreur de refroidir.
12. (**Démarrage à rappel**) Tirer lentement la **poignée du démarreur à rappel (12)** jusqu'à ce que l'on sente une résistance, puis tirer rapidement pour démarrer le moteur. Ne pas laisser la **poignée du démarreur à rappel (12)** se rétracter mais la ramener lentement.
13. Si le moteur ne démarre toujours pas après 5 ou 6 essais, voir les instructions données dans le « Tableau des pannes ».
14. Laisser le moteur chauffer pendant quelques minutes. Pendant que le moteur chauffe, régler le **bouton de starter (14)** sur la position RUN (activation). Attendre jusqu'à ce que le moteur tourne de façon régulière avant d'effectuer tout réglage du starter.
15. (**Démarrage électrique**) Débrancher la rallonge de la prise électrique trifilaire. Débrancher-la ensuite de la **prise de contact (11)**.

REMARQUE : À des températures inférieures à -18°C (0°F), laisser chauffer le moteur pendant quelques minutes avant de commencer à déneiger.

16. Lorsque vous déneigez, faites toujours tourner le moteur avec la **manette d'accélération (13)** (si la machine en est équipée) en position Rapide.



AVERTISSEMENT : Ne jamais faire fonctionner le moteur à l'intérieur d'un local ou dans un endroit mal ventilé. Les fumées d'échappement contiennent du monoxyde de carbone qui est un gaz inodore et mortel. Ne pas approcher les pieds, les mains les cheveux ou des vêtements lâches des pièces mobiles du moteur et du chasse-neige. Le silencieux et les pièces avoisinantes peuvent atteindre une température de 66°C (150°F). Ne pas les toucher.

Démarrage d'un moteur à chaud (Figure 1)

Si le moteur est encore chaud d'une récente utilisation, tourner la **commande du starter (14)** en position « OFF » (arrêt). Ne pas appuyer sur le **bouton d'amorçage (9)**. Si le moteur ne démarre toujours pas, suivre les instructions dans « Démarrage d'un moteur froid ».

REMARQUE : Ne pas utiliser le bouton d'amorçage (9) pour chauffer le moteur.

Démarrage d'un moteur lorsque le démarreur électrique est gelé (Figure 1)

Si le démarreur électrique est gelé et ne démarre pas le moteur, suivre les instructions ci-dessous.

1. Tirer la corde du démarreur aussi loin que possible hors du démarreur.
2. Relâcher la poignée du démarreur et la laisser se rétracter contre le démarreur. Répéter cette opération jusqu'à ce que le moteur démarre.

Un moteur chaud entraîne la formation de condensation par temps froid. Pour éviter que le démarreur à rappel et les commandes du chasse-neige ne gèlent, procéder comme suit après chaque utilisation du chasse-neige.

1. Faire tourner le moteur du chasse-neige pendant quelques minutes afin d'éviter de geler la fraise/l'impulseur.
2. Une fois que le moteur est à l'arrêt, laisser le moteur refroidir pendant quelques minutes.
3. Tirer la corde du démarreur très lentement jusqu'à ce que l'on sente une résistance, puis arrêter et laisser la corde du démarreur se rétracter. Répéter cette opération trois fois de suite.
4. Alors que le moteur est à l'arrêt, essuyer toute neige et humidité présente sur le couvercle du carburateur ainsi que sur les commandes et leviers du chasse-neige. Actionner aussi plusieurs fois la commande du starter et la poignée du démarreur.

Nettoyage des traces de neige sur le châssis de la fraise hélicoïdale



AVERTISSEMENT : Ne pas tenter de retirer de la neige ou des débris coincés dans le carter de la fraise avec les mains. utiliser un bâton de raclage ou un levier pour enlever la neige ou les débris.

(Figure 7) Sur certains modèles, un **bâton de raclage (1)** est attaché sur le dessus du carter de la fraise. Utiliser celui-ci pour retirer la neige du carter de la fraise.

1. (Figure 1) Débrayer le **levier d'entraînement de la fraise (5)**.
2. Arrêter le moteur.
3. Retirer (ne pas faire tourner) la **clé de sécurité (8)**.
4. Débrancher le fil de la bougie électrique.
5. Ne pas mettre vos mains dans le **châssis de la fraise (4)** ou dans le **déversoir (3)**.
6. (Figure 7) Utiliser le **bâton de raclage (1)** ou un levier pour retirer neige et débris.

Conseils pour l'utilisation du chasse-neige

1. Pour que le chasse-neige fonctionne au meilleur rendement, régler sa vitesse de déplacement. Avancer plus lentement lorsque la neige est profonde, gelée ou humide. Réduire également la vitesse lorsque les roues patinent.
2. Les meilleurs résultats s'obtiennent lorsque le travail est effectué immédiatement après une chute de neige.

PRUDENCE : Ne pas surcharger la capacité de la machine en tentant de déblayer trop rapidement.
3. Faire légèrement chevaucher les différents passages du chasse-neige pour un déblayage complet de la neige.
4. Projeter la neige dans le sens du vent dans la mesure du possible.
5. Normalement, régler les patins à 3 mm (1/8 pouce) sous le bord d'attaque. Dans de la neige très dure et tassée, les patins peuvent être réglés vers le haut de façon à ce que le bord d'attaque touche le sol.
6. Le gravier ne doit pas être pris par la vis sans fin et soufflé par la machine. Sur des surfaces de gravier, les patins doivent être réglés à 32 mm (1-1/4 pouce) sous le bord d'attaque (voir « Réglage de la hauteur des patins »).
7. En fin de travail, laisser le moteur tourner au ralenti pendant quelques minutes pour faire fondre la neige et la glace accumulée sur le moteur.
8. Nettoyer la machine après chaque utilisation.
9. Éliminer la glace, la neige, et les débris de la machine entière. Rincer à l'eau pour éliminer sel et autres produits chimiques. Sécher la machine avec un chiffon.

TABLEAU DE MAINTENANCE

RESPONSABILITES DE L'ACHETEUR

REGISTRE DES OPERATIONS D'ENTRETIEN Complétez les dates au fur et à mesure des opérations d'entretien régulier effectuées.	Avant chaque utilisation	2 premières heures	Toutes les 5 heures	Toutes les 10 heures	Toutes les 25 heures	Chaque saison	Avant remisage	DATES DES OPERATIONS D'ENTRETIEN
Vérification du niveau d'huile	√		√			√		
Vidange de l'huile du moteur					√	√		
Vérification et serrage de tous les boulons et écrous	√					√		
Vérification de la bougie d'allumage					√	√		
Réglage de la courroie d'entraînement		√			√	√		
Vérification du niveau d'essence	√							
Vidage de l'essence							√	
Vérification du câble d'embrayage de la fraise (voir Réglage des câbles)		√				√		
Vérification du câble d'embrayage des roues (voir Réglage des câbles)		√				√		
Lubrification de tous les points d'articulation				√			√	
Lubrification de l'axe de la fraise hélicoïdale (voir Remplacement du boulon de cisaillement)				√			√	
Lubrification des chaînes d'entraînement et des pignons				√			√	

ENTRETIEN

REMARQUE : Des illustrations sont présentes à la page 2 et sur les pages 176 à 181.

Utiliser la section Entretien suivante pour maintenir votre machine en bonne condition de fonctionnement. Toutes les informations concernant le moteur figurent dans le guide du fabricant du moteur. Lisez ce guide avant de démarrer le moteur.



AVERTISSEMENT : Avant d'effectuer toute inspection, tout réglage (sauf celui du carburateur), ou toute réparation, débrancher le fil de la bougie d'allumage.

Recommandations d'ordre général

La garantie de ce chasse-neige ne couvre pas les pièces ayant fait l'objet d'abus ou de négligence de la part de l'utilisateur. Pour bénéficier entièrement de la garantie, l'utilisateur doit entretenir le chasse-neige comme indiqué dans ce manuel.

Certains réglages doivent être effectués régulièrement afin de maintenir le chasse-neige en bon état.

Après chaque utilisation

- Détecter toute pièce desserrée ou endommagée.
- Resserrer toute fixation desserrée.
- Vérifier et entretenir la fraise.
- Contrôler les commandes pour vérifier si elles fonctionnent toutes correctement.
- Remplacer immédiatement toute pièce usée ou endommagée.
- Vérifier toutes les étiquettes et autocollants de sécurité et d'instructions. Remplacer tout autocollant ou étiquette manquant ou difficilement lisible.

Tous les réglages figurant dans la section Entretien de ce manuel doivent être vérifiés au moins une fois par saison.

Obligatoire

Les réglages suivants doivent être vérifiés plus d'une fois par saison.

1. Régler la courroie d'entraînement de la fraise après les 2 ou 4 premières heures d'utilisation, une seconde fois au milieu de la saison, et deux fois à chaque saison suivante. Voir « Réglage de la courroie d'entraînement de la fraise » dans la section Entretien.

Lubrification

Toutes les 10 heures (Figure 14)

1. Lubrifier les embouts graisseurs Zerk (1) toutes les dix heures avec un pistolet à graisse.
2. A chaque remplacement d'une vis de cisaillement, l'axe de la fraise doit également être graissé.
3. Lubrifier toutes les articulations.

Toutes les 25 heures

Chaînes

1. (Figure 1) Mettre la manette d'accélération (6) en première vitesse.
2. Vider l'essence du réservoir. Placer le chasse-neige verticalement sur l'avant du carter de la fraise (4).



AVERTISSEMENT : Vider l'essence en plein air, à l'écart de toute source de flammes ou de feu.

3. (Figure 22) Dévisser les boulons (3) de chaque côté du panneau ventral (2).
4. Retirer le panneau ventral (2).
5. (Figure 15) Graisser les chaînes (5) à l'aide d'un lubrifiant pour chaînes.

6. Frotter l'arbre hexagonal et les pignons (6) avec de l'huile moteur 5W30.

REMARQUE : Si de la graisse ou de l'huile entre en contact avec le plateau d'entraînement du disque (1) ou de la roue de friction (3), des dommages peuvent en résulter. Éliminer toute trace d'huile ou de graisse à l'aide d'un solvant à base d'alcool.

7. (Figure 22) Monter le panneau ventral (2).
8. Resserrer les boulons (3) de chaque côté du panneau ventral (2).

Pièces à ne pas lubrifier (Figure 15)

1. Ne pas graisser l'arbre hexagonal et le pignon (6). Toutes les bagues et les roulements sont lubrifiés à vie. Pour le remisage, verser une légère quantité d'huile moteur 5W-30 sur un chiffon et essuyer l'arbre hexagonal et le pignon (6) afin d'éviter la rouille.
2. Si la graisse entre en contact avec la roue de friction de caoutchouc (3) ou le plateau d'entraînement du disque (1), la roue de friction de caoutchouc (3) peut être endommagée. Veiller à bien nettoyer la roue de friction de caoutchouc (3) et le plateau d'entraînement du disque (1).
PRUDENCE : Tout huilage ou graissage des composants mentionnés ci-dessus peut atteindre la roue de friction de caoutchouc (3). Si la roue de friction de caoutchouc (3) ou le plateau d'entraînement du disque (1) sont souillés de graisse ou d'huile, la roue de friction en sera endommagée.
3. La boîte de vitesse de la fraise a été lubrifiée lors de la fabrication et ne requiert pas de graissage supplémentaire. Si pour quelque raison le lubrifiant de la boîte se met à fuir, faites vérifier la boîte par un centre de maintenance agréé.

Réglage de la hauteur des patins (Figure 1)

Ce chasse-neige est équipé de deux patins de réglage de hauteur (7). Ces patins servent à élever l'avant du chasse-neige. Sur surfaces dures normales telles que les voies de garage et les trottoirs, régler les patins comme suit.

1. Placer le chasse-neige sur une surface plane.
2. Veiller à ce que les deux pneumatiques soient de pression égale. La pression correcte s'échelonne de 1 BAR (14 PSI) à 1,25 BAR (17 PSI). Ne pas excéder la pression maximale indiquée sur le flanc du pneumatique.
3. Placer les boulons de cisaillement supplémentaires (fournis dans le sac de pièces) au-dessous de chaque bout du bord d'attaque (15) attendant aux patins de réglage (7).
4. Dévisser les écrous de montage (16) maintenant les patins de réglage (7). Pour abaisser l'avant du chasse-neige, lever chacun des patins de réglage (7). Resserrer les écrous de montage (16).

REMARQUE : Sur surfaces graveleuses ou inégales, lever l'avant du chasse-neige en abaissant les patins de réglage (7).



AVERTISSEMENT : Toujours maintenir une garde au sol appropriée en fonction de la surface de travail. Des objets comme du gravier, des pierres et d'autres débris peuvent être pris par l'impulseur et projetés avec une force suffisante pour provoquer des blessures ou des dégâts sur le chasse-neige.

Réglage du bord d'attaque (Figure 1)

Après une longue utilisation, le bord d'attaque (15) s'use. Le bord d'attaque (15) et les patins doivent toujours être réglés pour placer le bord d'attaque (15) à 3 mm (1/8 pouce) au-dessus de la surface à déneiger.

1. Placer le chasse-neige sur une surface plane.
2. Veiller à ce que les deux pneumatiques soient de pression égale. La pression correcte s'échelonne de 1 BAR (14 PSI) à 1,25 BAR (17 PSI). Ne pas excéder la pression maximale indiquée sur le flanc du pneumatique.
3. Desserrer les boulons et les écrous fixant le bord d'attaque (15) au carter de la fraise (4).
4. Régler le bord d'attaque (15) de façon à placer le bord d'attaque (15) à 3 mm (1/8 pouce) au-dessus de la surface à déneiger.
5. Resserrer les boulons et les écrous en s'assurant que le bord d'attaque (15) est parallèle au trottoir ou à la surface à déneiger.
6. Pour en prolonger l'utilisation du bord d'attaque (15), démonter le bord d'attaque (15) et inverser le sens de montage.

Vérification et réglage des câbles

Le câble d'entraînement des roues et le câble d'entraînement de la fraise hélicoïdale sont réglés dans l'usine de fabrication. En usage normal, un câble peut se détendre et doit être vérifié et réglé comme suit.

Vérification des câbles (Figure 16)

1. Pour vérifier le réglage, détacher le crochet en « Z » du levier d'entraînement (2).
2. Pousser le levier d'entraînement (2) complètement vers l'avant jusqu'à ce que le levier d'entraînement (2) entre en contact avec la butée en plastique (3).
3. Le câble de commande est correctement réglé si le crochet en « Z » (1) est aligné (4) avec le trou du levier d'entraînement (2) et que le câble ne présente pas d'affaissement.

Réglage du câble d'entraînement de la fraise

1. Vider l'essence du réservoir. Mettre le chasse-neige debout sur l'avant du carter de la fraise.



AVERTISSEMENT : Vider l'essence à l'extérieur et à l'écart de toute source de flammes ou de feu.

2. (Figure 16) Détacher le crochet en « Z » (1) du levier d'entraînement (2).
3. (Figure 17) Relever le couvercle du ressort de façon à exposer le ressort (5). Pousser le câble (6) dans le ressort (5) pour exposer l'extrémité carrée (7) du câble (6).

4. Tenir l'extrémité carrée (7) avec des pinces et tourner l'écrou (8) dans un sens ou dans l'autre jusqu'à ce que l'affaissement du câble disparaisse.
5. Tirer le câble (6) dans le ressort (5) et le remonter.
6. (Figure 16) Rattacher le crochet en « Z » (1) au levier d'entraînement (2).

REMARQUE : Lors du réglage ou du remplacement de la courroie d'entraînement de la fraise hélicoïdale, vérifier et régler le câble.

Réglage du câble d'entraînement

1. Retirer le carburant du réservoir d'essence. Positionner le chasse-neige debout sur la face avant du carter de la fraise.
- AVERTISSEMENT** : Vider l'essence à l'extérieur, à l'écart de toute source de flammes ou de feu.
2. (Figure 22) Desserrer les boulons (3) sur chaque côté du panneau ventral (2).
 3. Retirer le panneau ventral (2).
 4. (Figure 16) Détacher le crochet en « Z » (1) du levier d'entraînement de la fraise (2).
 5. (Figure 27) Faire glisser la gaine du câble (3) de l'attache de réglage du câble (4).
 6. Enfoncer la base du câble de commande de la fraise (5) dans l'attache de réglage du câble (4) jusqu'à ce que le crochet en « Z » (6) puisse être enlevé.
 7. Retirer le crochet en « Z » (6) de l'attache de réglage du câble (4). Placer le crochet en « Z » (6) dans le trou de réglage situé immédiatement au-dessous.
 8. Tirer le câble de commande de la fraise (5) vers le haut au travers de l'attache de réglage du câble (4).
 9. Replacer la gaine du câble (3) sur l'attache de réglage du câble (4).
 10. (Figure 16) Accrocher le crochet en « Z » (1) au levier d'entraînement de la fraise (2).

11. (Figure 15) Pour vérifier le réglage, abaisser le levier d'entraînement et vérifier la longueur « A » du ressort du câble d'entraînement (7). Lorsque le réglage est correct, la longueur « A » du ressort du câble d'entraînement (7) doit être la suivante :
minimum 76 mm (3 pouces)
maximum 85 mm (3 pouces et 3/8).
12. (Figure 22) Remonter le panneau ventral (2).
13. Serrer les boulons (3) sur chaque côté du panneau ventral (2).

Réglage des courroies

Les courroies s'étirent en usage normal. Si des réglages deviennent nécessaires en raison de l'usure ou de l'étirement, procéder comme suit.

Réglage de la courroie d'entraînement de la fraise hélicoïdale

Si le chasse-neige n'éjecte pas la neige, vérifier le réglage du câble d'entraînement de la fraise. Voir « Vérification et réglage des câbles » dans la section Entretien. Si le réglage est correct, vérifier l'état de la courroie d'entraînement de la fraise. Si celle-ci est endommagée ou lâche, la remplacer. Voir « Remplacement des courroies » dans la section Entretien. Si la courroie est détendue, la régler comme suit.

1. Débrancher le fil de la bougie d'allumage.

2. **(Figure 18)** Retirer la vis (2) du carter de la courroie (1). Retirer la carter de la courroie (1).
3. **(Figure 19)** Desserrer l'écrou (2) sur la poulie libre (3) et pousser la poulie libre (3) vers la courroie d'entraînement de la fraise (4) d'environ 3 mm (1/8 pouce).
4. Resserer les écrous (2).
5. **(Figure 21)** Débrayer le levier d'entraînement de la fraise. Vérifier la tension de la courroie d'entraînement de la fraise (4). La courroie de la fraise (4) doit normalement fléchir d'environ 12,5 mm (1/2 pouce) (5) sous une pression moyenne. Si la tension n'est pas appropriée, répéter l'opération de réglage.
6. **(Figure 18)** Remonter le couvercle de la courroie (1). Resserer la vis (2).
7. Vérifier le réglage du câble d'entraînement de la fraise. Voir « Vérification et réglage des câbles » dans la section Entretien de ce manuel.
8. Rebrancher le fil de la bougie.

Courroie d'entraînement des roues

La courroie d'entraînement des roues est soumise à la pression constante d'un ressort et n'exige aucun réglage. Si la courroie d'entraînement des roues patine, remplacer la courroie. Voir « Remplacement des courroies » dans la section Entretien de ce manuel.

Remplacement des courroies

Les courroies d'entraînement sont de construction adaptée et doivent être remplacées par des courroies d'origine disponibles dans votre centre de maintenance agréé le plus proche.

Certaines étapes requièrent l'assistance d'une seconde personne.

Démontage de la courroie d'entraînement de la fraise hélicoïdale

Si la courroie d'entraînement de la fraise est endommagée, le chasse-neige ne déverse pas de neige. Remplacer la courroie endommagée comme suit.

1. Débrancher le fil de la bougie.
2. **(Figure 22)** Retirer les boulons (1) se trouvant sur chaque côté du panneau inférieur (2).
3. Desserrer les boulons (3) sur chaque côté du panneau ventral (2).
4. Retirer le panneau ventral (2).
5. **(Figure 18)** Retirer la vis (2) du carter de la courroie (1). Déposer le carter de la courroie (1).
6. **(Figure 19)** Desserrer le guide de courroie (9). Écarter le guide de courroie (9) de la poulie d'entraînement de la fraise (10).
7. Séparer en la tirant la poulie libre (3) de la courroie d'entraînement de la fraise (4) et faire glisser la courroie d'entraînement de la fraise (4) en dehors de la poulie libre (3).
8. Retirer la courroie d'entraînement de la fraise (4) de la poulie du moteur (11). Pour retirer la courroie d'entraînement de la fraise (4), il peut-être nécessaire de faire tourner partiellement la poulie du moteur (11).

9. **(Figure 20)** Retirer les quatre boulons (21) du haut qui retiennent le carter de la fraise (22) et le boîtier du moteur (23). Desserrer les deux boulons (24) du bas. Il est désormais possible de séparer le carter de la fraise (22) et le boîtier du moteur (23) pour retirer la courroie.
10. **(Figure 19)** Retirer l'ancienne courroie d'entraînement de la fraise (4) de la poulie d'entraînement de la fraise (10). Remplacer la courroie d'entraînement de la fraise (4) par une courroie d'origine en vente dans votre centre de maintenance le plus proche.
11. Installer la nouvelle courroie d'entraînement de la fraise (4) sur la poulie d'entraînement de la fraise (10). **REMARQUE : Pour monter le carter de la fraise (22) sur le boîtier du moteur (23), demander à un assistant de maintenir le levier d'entraînement de la fraise en position ENGAGÉE. Cela déplacera suffisamment le bras de la poulie libre et la poulie elle-même (3) pour permettre à la poulie d'entraînement de la fraise (10) de reculer en position.**
12. Monter le carter de la fraise (22) sur le boîtier du moteur (23) avec les quatre boulons (21) retirés à l'étape 9. Serrer les deux boulons (24) du bas.
13. Installer la courroie d'entraînement de la fraise (4) sur la poulie du moteur (11).
14. Faire glisser la courroie d'entraînement de la fraise (4) sous la poulie libre (3).
15. Régler la courroie d'entraînement de la fraise (4). Voir « Réglage de la courroie d'entraînement de la fraise » dans la section Entretien.
16. Régler le guide de courroie (9). Voir « Réglage du guide de courroie » dans la section Entretien.
17. **(Figure 18)** Monter le carter de courroie (1). Serrer la vis (2).
18. **(Figure 22)** Installer le panneau inférieur (2).
19. Monter les boulons (1) sur chaque côté du panneau inférieur (2).
20. Serrer les boulons (1) et les boulons (3) sur chaque côté du panneau inférieur (2).
21. Vérifier le réglage des câbles. Voir « Vérification du réglage des câbles » dans la section Entretien.
22. Rebrancher le fil de la bougie.

Démontage de la courroie d'entraînement des roues.

Si le chasse-neige n'avance pas, vérifier la courroie d'entraînement des roue pour détecter tout dommage ou toute usure. Si celle-ci est endommagée ou usée, la remplacer comme suit.

1. Débrancher le fil de la bougie.
2. Retirer la courroie d'entraînement de la fraise. Voir « Démontage de la courroie d'entraînement de la fraise » dans la section Entretien.
3. **(Figure 19)** Retirer la bague de retenue (17) de l'une des extrémités de la biellette d'axe de la plaque de roulement (18). Retirer la biellette d'axe de la plaque de roulement (18) pour permettre à la plaque de roulement de tourner en avant.
4. Retirer le ressort du câble de traction (16).

5. Dégager la courroie d'entraînement des roues (13) de la poulie d'entraînement des roues (14) et de la poulie motrice (15). Remplacer la courroie d'entraînement des roues (13) par une courroie d'origine disponible dans votre centre de maintenance agréé le plus proche.
6. Monter la nouvelle courroie d'entraînement des roues (13) sur la poulie d'entraînement des roues (14) et sur la poulie motrice (15).
7. Veiller à ce que la poulie libre d'entraînement des roues (12) soit correctement alignée avec la courroie d'entraînement des roues (13).
8. Attacher le ressort du câble de traction (16).
9. Monter la biellette d'axe de la plaque de roulement (18) et la verrouiller à l'aide de la bague de retenue (17) enlevée auparavant.
10. **(Figure 32)** La base de la plaque de roulement (20) doit être positionnée entre les encoches d'alignement (19). S'assurer que la plaque de roulement (20) est correctement fixée.

REMARQUE : Si l'entraînement des roues ne fonctionne pas à la suite du remplacement de la courroie d'entraînement, vérifier que la plaque de roulement est bien positionnée entre les encoches d'alignement (19).

11. **(Figure 19)** Monter et régler la courroie d'entraînement de la fraise (4). Voir « Démontage de la courroie d'entraînement de la fraise » dans la section Entretien.
12. Régler le guide de courroie (9). Voir « Réglage du guide de courroie » dans la section Entretien.
13. **(Figure 22)** Remonter le panneau ventral (2).
14. Serrer les boulons (3) sur chaque côté du panneau ventral (2).
15. **(Figure 18)** Monter le carter de courroie (1). Serrer la vis (2).
16. Vérifier le réglage des câbles. Voir « Vérification du réglage des câbles » dans la section Entretien.
17. Brancher le fil de la bougie.

Réglage du guide de courroie


1. Débrancher le fil de la bougie.
2. **(Figure 18)** Retirer la vis (2). Déposer le carter de la courroie (1).
3. **(Figure 1)** Embrayer le levier d'entraînement de la fraise (5).
4. **(Figure 23)** Mesurer la distance entre le guide de courroie (2) et la courroie d'entraînement de la fraise (3). La distance correcte (4) doit être de 3 mm (1/8 pouce).
5. Si un réglage est nécessaire, desserrer les boulons de montage du guide de courroie (2) et placer le guide de courroie (2) en position correcte (4). Resserer ensuite les boulons du guide de courroie (2).
6. **(Figure 18)** Monter le carter de courroie (1). Serrer la vis (2).
7. Rebrancher le fil de la bougie.

Réglage ou remplacement de la roue de friction

Vérification de la roue de friction

Si la chasse-neige n'avance pas, vérifier la courroie d'entraînement des roues, le câble d'entraînement des roues, ou la roue de friction. Si la roue de friction est endommagée ou usée, il faut le remplacer. Voir « Remplacement de la roue de friction » dans cette section. Si la roue de friction n'est pas endommagée ni usée, le vérifier comme suit.

1. (Figure 1) Vider l'essence du réservoir. Mettre la chasse-neige debout sur l'avant du carter de la fraise (4).

 **AVERTISSEMENT : Vider l'essence à l'extérieur et à l'écart de toute source de flammes ou de feu.**

2. Débrancher le fil de la bougie.
3. (Figure 22) Retirer les boulons (1) se trouvant sur chaque côté du panneau inférieur (2).
4. Desserrer les boulons (3) de chaque côté du panneau ventral (2).
5. Retirer le panneau ventral (2).
6. (Figure 1) Mettre la manette d'accélération (6) à la vitesse la plus basse.
7. (Figure 24) Noter la position de la roue de friction (4). La distance « A » correcte entre le côté droit de la roue de friction (4) et l'extérieur du carter du moteur est la suivante :

Taille du pneu	Distance « A »
12 et 13 pouces	10,5 cm (4-1/8")
16 pouces	10,95 cm (4- 5/16")


 Si la roue de friction (4) n'est pas en position correcte, effectuer le réglage décrit ci-dessous.

Réglage de la roue de friction

1. (Figure 1) Positionner le levier de vitesse (6) sur la plus basse vitesse de la marche avant.
2. (Figure 9) Desserrer l'écrou hexagonal de blocage (9) sur la tringle du sélecteur de vitesses (2). Retirer le joint sphérique (6) de la tringle de changement de vitesses (7).
3. (Figure 24) Placer la roue de friction (4) en position correcte.
4. (Figure 9) Tourner l'adaptateur (10) jusqu'à ce que le joint sphérique (6) soit aligné avec le trou de montage sur la tringle de changement de vitesses (7). Quand il est aligné, attachez le joint sphérique (6) à la tringle de changement de vitesses (7).
5. (Figure 22) Installer le panneau inférieur (2).
6. Monter les boulons (1) sur chaque côté du panneau inférieur (2).
7. Serrer les boulons (1) et les boulons (3) sur chaque côté du panneau inférieur (2).

Remplacement de la roue de friction

La chasse-neige n'avance pas si la roue de friction est usée ou endommagée. La roue de friction doit être remplacé comme suit.

 **AVERTISSEMENT : Ne pas graisser la plaque d'entraînement du disque ou la roue de friction.**

1. (Figure 1) Vider l'essence du réservoir. Mettre la chasse-neige debout sur l'avant du carter de la fraise (4).



AVERTISSEMENT : Vider l'essence à l'extérieur, à l'écart de toute source de flammes ou de feu.

2. Débrancher le fil de la bougie.
3. (Figure 28) Retirer les boulons (1) se trouvant sur chaque côté du panneau inférieur (2).
4. Desserrer les boulons (3) de chaque côté du panneau ventral (2).
5. Retirer le panneau ventral (2).
6. (Figure 29) Démontez le renfort arrière (18).
7. (Figure 30) À l'aide d'une clé Allen de 3/16", retirer la fixation attachant la pince d'axe (30) droite à l'essieu (34).
8. Retirer la roue droite (35), l'axe (34), la pince de l'axe (30) et la rondelle (31).
9. (Figure 28) Retirer la roue gauche (10) de l'axe (11).
10. (Figure 31) Retirer les fixations qui maintiennent le support de l'axe (32) sur le boîtier du moteur. Retirer le support de l'axe (32) et la bague (33).
11. Desserrer (ne pas retirer) les boulons attachant le roulement de l'essieu (19) au boîtier du moteur.
12. Retirer l'embrayage/la roue dentée (20) de l'essieu (11).
13. (Figure 32) Retirer les quatre boulons (16) maintenant les roulements (7) de chaque côté de l'arbre hexagonal (8).
14. (Figure 33) Retirer l'arbre hexagonal (8) et les roulements (7).

REMARQUE : Bien se rappeler de la position des rondelles (13).

15. (Figure 26) Retirer les trois fixations (4) attachant la roue de friction (5) au moyeu (6).
16. (Figure 26) Retirer la roue de friction (5) du moyeu (6). Faire glisser la roue de friction (5) de l'arbre hexagonal (8).
17. Monter la nouvelle roue de friction (5) sur le moyeu (6) à l'aide des fixations retirées plus tôt.
18. (Figure 33) Installer l'arbre hexagonal (8) et les roulements (7) à l'aide des quatre boulons enlevés auparavant.

Veiller à ce que les rondelles (17) soient correctement installées dans leur position d'origine. Veuillez également vous assurer que les deux rondelles (13) sont correctement alignées avec les bras de commande (14).

19. Veiller à ce que l'arbre hexagonal (8) puisse tourner librement.
20. Pour installer le reste des pièces, suivez les étapes ci-dessus dans le sens inverse.
21. Vérifier le réglage de la roue de friction. Voir « Réglage de la roue de friction » dans cette section.
22. Veiller à ce que la roue de friction et le plateau d'entraînement du disque soient dépourvus d'huile ou de graisse.
23. (Figure 28) Remonter le panneau ventral (2).
24. Monter les boulons (1) sur chaque côté du panneau inférieur (2).

25. Serrer les boulons (1) et les boulons (3) sur chaque côté du panneau inférieur (2).

26. Rebrancher le fil de la bougie.

Remplacement d'un boulon de cisaillement de la fraise hélicoïdale

Les fraises hélicoïdales sont fixées à l'arbre par des boulons de cisaillement spéciaux qui sont prévus pour casser si un objet se coince dans le carter de la fraise. Ne pas utiliser un boulon plus dur car ceci supprimera la protection du boulon de cisaillement.



AVERTISSEMENT : Pour garantir la sécurité et la protection de la machine, seuls des boulons de cisaillement d'origine doivent être utilisés pour leur remplacement.

Pour remplacer un boulon de cisaillement cassé, procéder comme suit. Des boulons de cisaillement de rechange sont fournis dans le sac de pièces pour le montage.

1. (Figure 1) Placer la manette d'accélération (13) à la position d'arrêt. Débrayer toutes les commandes.
2. Débrancher le fil de la bougie et s'assurer que toutes les pièces sont arrêtées.
3. (Figure 14) Si la chasse-neige est équipé, graisser les embouts graisseurs Zerk (1) de l'arbre de la fraise à l'aide d'un pistolet graisseur.
4. (Figure 25) Aligner le trou de la fraise avec le trou de son arbre. Monter le boulon de cisaillement neuf (2), l'entretoise (3) et l'écrou de blocage (4).

REMARQUE : Si le modèle est équipé d'un carter de fraise de 84 cm (33"), l'entretoise (3) n'est pas obligatoire.

5. Rebrancher le fil de la bougie.

Préparation du chasse-neige pour le remisage



AVERTISSEMENT : Ne pas retirer l'essence à l'intérieur d'un bâtiment, près d'un feu, ou en fumant une cigarette. Les gaz émis par l'essence peuvent provoquer une explosion ou un incendie.

Si la déneigeuse doit être entreposée pendant une période prolongée, se référer au manuel de fonctionnement du fabricant du moteur (inclus avec certains modèles) pour obtenir d'importants détails d'entretien ou d'entreposage.

1. Vider le réservoir d'essence.
2. Faire tourner le moteur jusqu'à ce qu'il tombe en panne sèche.
3. Ne jamais entreposer la déneigeuse avec de l'essence dans le réservoir à l'intérieur d'un bâtiment où des sources d'allumage sont présentes, telles qu'un chauffe-eau ou un radiateur, un séchoir à linge, et autres types d'appareils similaires. Laisser le moteur refroidir avant l'entreposage dans un espace clos.
4. Vidanger l'huile du moteur encore chaud. Remplir le bloc-cylindre d'huile neuve.
5. Retirer la bougie du cylindre. Verser 29,6 ml (une once) d'huile dans le cylindre. Tirer lentement la poignée de la corde de démarrage à rappel pour que l'huile protège le cylindre. Placer une nouvelle bougie sur le cylindre.
6. Nettoyer complètement le chasse-neige.

7. Graisser tous les points de graissage (voir la section Entretien).
8. S'assurer que tous les écrous, boulons et vis sont fermement serrés. Vérifier toutes les pièces mobiles pour déceler les indices de dégâts et d'usure. Remplacer les pièces au besoin.
9. Couvrir les pièces de métal du carter de la fraise hélicoïdale et de l'impulseur d'un produit antirouille.
10. Placer la machine dans un bâtiment bien ventilé.
11. Si la machine doit être remise à l'extérieur, la monter sur des cales pour qu'elle ne repose pas au sol.
12. Couvrir ensuite le chasse-neige à l'aide d'une bâche épaisse ne retenant pas l'humidité. Ne pas utiliser une bâche de matière plastique.

Commande de pièces détachées

Le remplacement de pièces détachées est montré soit au dos de ce manuel, soit dans un manuel séparé de pièces de rechange. N'utiliser que des pièces de rechange autorisées ou approuvées par le fabricant. Ne pas utiliser d'accessoires n'ayant pas été spécifiquement recommandé pour cette machine. Afin d'obtenir les pièces de rechange adéquates, il est impératif de fournir le numéro du modèle (voir la plaque signalétique). Pour obtenir des pièces de rechange, contacter le détaillant local.

Le remplacement des pièces comme le moteur, les transmissions, la boîte-pont ou le différentiel, sont disponibles depuis un service autorisé par le fabricant, dont l'adresse peut être trouvée dans les Pages jaunes. Par ailleurs, vous pouvez vous appuyer sur les garanties s'appliquant au moteur ou aux transmissions pour commander les pièces de rechange. Lors de la commande, vous devrez fournir les informations suivantes :

- (1) Le numéro du modèle
- (2) Le numéro de série
- (3) Le numéro de la pièce
- (4) La quantité

TABLEAU DE DEPANNAGE

PANNE	CAUSE	REPARATION
Démarrage difficile	Bougie défective.	Remplacer la bougie.
	Eau ou impuretés dans le système de distribution du carburant.	Utiliser le drain de carburateur pour évacuer les impuretés et remplir avec de l'essence neuve.
Le moteur tourne de manière irrégulière	Conduit de carburant bouché, réservoir d'essence vide, ou essence périmée.	Nettoyer le conduit de carburant ; vérifier l'arrivée du carburant ; ajouter de l'essence neuve.
Le moteur cale	Machine fonctionnant avec le STARTER ouvert.	Mettre le levier de starter en position de MARCHE.
Le moteur tourne de manière irrégulière; Perte de puissance	Eau ou impuretés dans le système de distribution du carburant.	Utiliser le drain de carburateur pour évacuer les impuretés et remplir avec de l'essence neuve.
Vibration excessive	Pièces dévissées : impulseur endommagé.	Arrêter le moteur immédiatement et débrancher la bougie. Serrer tous les boulons et effectuer les réparations nécessaires. Si la vibration persiste, porter la machine à une personne qualifiée pour la réparer.
La machine ne se propulse pas automatiquement	Courroie d'entraînement lâche ou endommagée.	Remplacer la courroie d'entraînement.
	Réglage incorrecte du câble d'entraînement des roues.	Régler le câble d'entraînement des roues.
	Roue de friction usagée ou endommagée.	Remplacer la roue de friction.
La machine n'éjecte pas de neige	Courroie d'entraînement de la fraise lâche ou endommagée.	Régler la courroie d'entraînement de la fraise ; la remplacer si elle est endommagée.
	Câble de commande de la fraise non réglé correctement.	Régler le câble de commande de la fraise.
	Boulon de cisaillement cassé.	Remplacer le boulon de cisaillement.
	Déversoir bouché.	Arrêter immédiatement le moteur et débrancher le cordon de la bougie. Nettoyer le déversoir et l'intérieur du carter de la fraise.
	Corps étranger coincé dans la fraise.	Arrêter immédiatement le moteur et débrancher le cordon de la bougie. Retirer le corps étranger coincé dans la fraise.

INHALT

GEFAHRENSYMBOLS UND DEREN BEDEUTUNG	32
BEDIENUNGSSYMBOLS UND DEREN BEDEUTUNG	32
MONTAGE	37
BETRIEB	38
WARTUNGSDIAGRAMM	40
WARTUNG	40
FEHLERSUCHDIAGRAMM	44

Die Abbildungen (beispielsweise Abbildung 1) befinden sich auf der Rückseite des Deckblatts und der letzten Seite in dieser Anleitung (vor der Teileliste).

Allgemeines

Bei dieser Bedienungsanleitung werden einige handwerkliche Grundkenntnisse vorausgesetzt. Wie in den meisten Wartungshandbüchern werden nicht alle Schritte beschrieben. Das Lösen und Anziehen von Schrauben kann jeder ohne große handwerkliche Fähigkeiten bewältigen. Lesen und befolgen Sie diese Anweisungen, bevor Sie das Gerät benutzen.

Informieren Sie sich über Ihr Produkt: Sie erzielen die beste Leistung, wenn Sie das Gerät und dessen Funktionen verstehen. Beim Lesen dieser Bedienungsanleitung vergleichen Sie die Abbildungen mit dem Gerät. Machen Sie sich mit der Anordnung und Funktion der Bedienelemente vertraut. Befolgen Sie die Anweisungen zum Betrieb und die Sicherheitshinweise, um einen Unfall zu verhindern. Bewahren Sie diese Bedienungsanleitung auf, um später darauf zurückgreifen zu können.

WICHTIG: Viele Geräte sind nicht vollständig zusammengebaut und werden in Kartons verpackt verkauft. Der Eigentümer muss die Montageanweisungen in dieser Bedienungsanleitung genau befolgen. Andere Geräte werden im vor-montierten Zustand verkauft. Bei montierten Geräten ist der Eigentümer dafür verantwortlich zu prüfen, ob das Gerät korrekt montiert ist. Der Eigentümer muss das Gerät vor dem ersten Gebrauch entsprechend der Anweisungen in dieser Bedienungsanleitung sorgfältig prüfen.

Benötigen Sie Hilfe?

Falls Sie zusätzliche Informationen zur Montage, zum Betrieb oder zur Wartung Ihres Equipments benötigen, wenden Sie sich an Ihren lokalen Händler.



Diese Bedienungsanleitung enthält Informationen zur Sicherheit, um Ihnen die mit Schneefräsen verbundenen Gefahren und Risiken bewusst zu machen und um sie zu vermeiden. Die Schneefräse ist ausschließlich zum Schneeräumen vorgesehen und darf zu keinem anderen Zweck verwendet werden. Es ist wichtig, dass Sie diese Anweisungen lesen und verstehen, und jeder, der das Gerät gebraucht.

WARNUNG

Die Motorabgase dieses Geräts enthalten Stoffe, von denen dem Staat Kalifornien bekannt ist, dass sie unter anderem Krebs, Geburtsschäden oder Fortpflanzungsschäden verursachen.

Zusammen mit dem Warnsymbol wird ein Signalwort (GEFAHR, WARNUNG oder VORSICHT) verwendet, um auf die Wahrscheinlichkeit und die potenzielle Schwere von Verletzungen hinzuweisen. Zusätzlich wird möglicherweise mit einem Gefahrensymbol der Gefahrentyp dargestellt.



GEFAHR weist auf eine Gefahr hin, die zum Tode **oder zu schweren Verletzungen führt, wenn sie nicht vermieden wird.**



WARNUNG weist auf eine Gefahr hin, die zum Tode **oder zu schweren Verletzungen führen könnte, wenn sie nicht vermieden wird.**



VORSICHT weist auf eine Gefahr hin, die zu leichten **oder mäßigen Verletzungen führen könnte, wenn sie nicht vermieden wird.**

Das Wort **VORSICHT ohne** das Warnsymbol weist auf eine Situation hin, **in der das Gerät beschädigt werden könnte.**

Bedienelement und Gerätefunktionen (siehe Abbildung 1)

Antriebshebel (1) – Wählt die Fahrtrichtung -- vorwärts oder rückwärts.

Auswurfkurbel (2) – Ändert die Richtung des Auswurfkamins.

Auswurfumlenkvorrichtung (3) – Ändert den Abstand, in dem der Schnee ausgeworfen wird.

Auswurfkamin (4) – Ändert die Richtung, in die der Schnee ausgeworfen wird.

Räumwerkhebel (5) – Startet und hält die Frässhnecke und die Wurfeinrichtung an (Sammeln und Auswerfen des Schnees).

Geschwindigkeitshebel (6) – Bestimmt die Geschwindigkeit der Schneefräse.

Höhenverstellbare Gleitkufe (7) – Bestimmt die Bodenfreiheit des Räumwerks.

Schneemesser (18) – (Sofern vorhanden) Fräsen einen Pfad durch den Schnee, der höher ist als das Räumwerk.

Scherbolzen (19) – Zum Schutz des Geräts wurden spezielle Scherbolzen entworfen, die brechen, wenn ein Fremdkörper in das Räumwerk gerät. Bei Verwendung eines härteren Bolzens wird die Schutzfunktion des Scherbolzens zerstört.

Auswurf-Fernsteuerhebel (20) – kontrolliert den Abstand, in dem der Schnee ausgeworfen wird.

Schalter für heizbare Griffe (21) – schaltet die heizbaren Griffe ein.

Motorfunktionen

Sicherheitsschlüssel (8) – Muss für das Anlassen des Geräts eingeführt sein.

Initialzündungsknopf (9) – Spritzt Benzin direkt in den Vergaser ein, damit Motor bei kaltem Wetter schnell anspringt.

Elektrostartknopf (10) – Zum Anlassen des Motors bei Modellen mit Elektrostart.

Strombuchse (11) – Bei Modellen mit Elektrostart zum Anschließen eines 220-Volt-Stromkabels.

Rückstarterhebel (12) – Zum manuellen Anlassen des Motors.

Gashebel (13) – (sofern vorhanden) steuert die Geschwindigkeit der Schneefräse.

Stoppschalter (13) – (sofern vorhanden) zum Abstellen des Motors.

Choke (14) – Zum Anlassen eines kalten Motors.

Gefahrensymbole und deren Bedeutung

Das Gerät ist mit diesen Symbolen versehen, die in der Bedienungsanleitung beschrieben sind. Lesen Sie diese Beschreibung. Diese zusammen mit einem Signalwort verwendeten Symbole warnen Sie vor möglichen Gefahren, und in deren Beschreibung wird darauf hingewiesen, wie diese Gefahren vermieden werden.

	Warnung vor einer Gefährdung der Sicherheit – Sicherheitshinweise bezüglich Gefahren, die zu Verletzungen führen können.
	Bedienungsanleitung – Entsprechende Abschnitte in der Bedienungsanleitung lesen, bevor eine Prozedur ausgeführt oder das Gerät betrieben wird.
	Rotierende Frässhnecke
	Rotierende Wurfvorrichtung
	Giftige Dämpfe
	Rotierende Zahnräder
	Herausgeschleuderte Objekte
	Sicherheitsabstand zum Gerät einhalten.
	Hände von rotierenden Teilen fern halten.
	Vor jeglichen Wartungs- bzw. Reparaturarbeiten Motor abstellen und Draht von Zündkerze trennen.
	Brandgefahr
	Explosionsgefahr
	Elektrischer Schlag
	Heiße Oberfläche

Bedienungssymbole und deren Bedeutung

Das Gerät ist mit diesen Symbolen versehen, die in der Bedienungsanleitung beschrieben sind. Es ist wichtig, dass Sie diese Beschreibungen gelesen und verstanden haben. Wenn die Symbole nicht verstanden wurden, können Verletzungen die Folge sein.

	Öl		Vorwärts
	Kraftstoff		Neutral
	Ein Aus		Rückwärts
	Initialzündungsanzeige		Zündung ein
	Gashebel		Zündung aus
	Choke aus		Zündschlüssel
	Choke ein		Drücken zum elektrischen Starten
	Stop		Elektrischer Start
	Langsam		Motor anlassen
	Schnell		Motorbetrieb
	Einrasten		Motor aus
	Antrieb		
	Frässhnecke		
	Frässhneckenkupplung		
	Antriebskupplung		
	Einkuppeln		
	Auskuppeln		
	Auswurfkamin		Auswurfumlenkvorrichtung
	LINKS		RECHTS
	OBEN		NACH UNTEN

**GEFAHR**

Rotierende Frässchnecke birgt die Gefahr schwerer oder tödlicher Verletzungen.

Hände, Füße und Kleidungsstücke fernhalten.

Die Beseitigung von Verstopfungen im Auswurfkamin ist gefährlich.

- Versuchen Sie keinesfalls Fremdkörper oder Schneeklumpen aus der Frässchnecke zu entfernen, während das Gerät in Betrieb ist bzw. der Motor läuft. Verstopfte oder blockierte Frässchnecken können Energie speichern und unerwartet rotieren, **AUCH BEI AUSGESCHALTETEM MOTOR**.
- Schalten Sie den Motor aus und ziehen Sie das Zündkabel ab, bevor Sie Wartungsarbeiten am Gerät durchführen.
- Lassen Sie das Gerät niemals unbeaufsichtigt, während der Motor läuft. Kuppeln Sie stets die Frässchnecke und Antriebssteuerung aus, schalten Sie den Motor aus und ziehen Sie die Schlüssel ab.
- Halten Sie Kinder, Haustiere und andere Tiere während des Betriebs fern vom Arbeitsbereich. Kindern werden oft vom Gerät angezogen. Seien Sie gegenüber anwesenden Personen rücksichtsvoll.
- Halten Sie alle losen Kleidungsstücke in großem Abstand von der Vorderseite der Schneefräse und der Frässchnecke. Schals, Handschuhe, herunter baumelnde Kordeln, lose Kleidungsstücke und weite Hosen können sich leicht in rotierenden Teilen verfangen, was zum Verlust von Körperteilen führt. Binden Sie lange Haare zusammen und legen Sie Schmuck ab.
- Die Schneefräse ist nur zum Schneeräumen vorgesehen. Verwenden Sie sie zu keinem anderen Zweck.
- Räumen Sie keinen Schnee quer zu einer Abhangfläche. Seien Sie sehr vorsichtig bei Richtungsänderungen an Abhängen. Versuchen Sie nicht, steile Abhänge zu räumen.
- Benutzen Sie die Schneefräse nicht auf Flächen, die über dem Boden liegen, wie Hausdächer, Garagen, Vordächer oder ähnliche Flächen an und auf Gebäuden.

**GEFAHR**

Die Frässchnecke kann Gegenstände erfassen und aus dem Auswurfkamin herausschleudern.

Werfen Sie den Schnee nicht in Richtung von Personen oder Autos aus, und gestatten Sie unter keinen Umständen, dass sich jemand der Vorderseite der Schneefräse nähert.

- Achten Sie auf Gegenstände im Räumungsbereich. Falls Sie über Kies/Schotter, Fußmatten, Zeitungen, Spielzeuge, unter dem Schnee liegende Steine usw. fahren, können diese Gegenstände aus dem Auswurfkamin herausschleudert werden oder die Frässchnecke verstopfen.
- Achten Sie darauf, in welcher Richtung der Schnee ausgeworfen wird. Durch die herausschleuderten Gegenstände können Fußgänger, Haustiere oder Gebäude, die sich in der Nähe befinden, zu Schaden kommen.
- Halten Sie sich mit dem Bereich vertraut, den Sie räumen wollen. Markieren Sie die Grenzen von Gehwegen und Fahrbahnen, um Schäden an Gebäuden oder das Herausschleudern von Gegenständen zu vermeiden.
- Seien Sie vorsichtig, wenn Sie Schnee in Bereichen räumen, die Ihnen nicht vertraut sind. Achten Sie auf verborgene Risiken und den Verkehr.
- Nachdem ein Fremdkörper erfasst wurde, schalten Sie den Motor aus, warten Sie, bis die rotierenden Teile zum Stillstand gekommen sind und prüfen Sie, ob Beschädigungen verursacht wurden. Falls Beschädigungen vorhanden sind, muss eine Reparatur durchgeführt werden, bevor die Schneefräse wieder gestartet bzw. betrieben wird.
- Warten Sie nach dem Ausschalten des Motors solange, bis alle rotierenden Teile zum Stillstand gekommen sind, und beseitigen Sie dann Verstopfungen bzw. Klumpen im Auswurfkamin mit einem Stock.
- Falls das Gerät anormal vibriert, schalten Sie den Motor aus. Vibrationen weisen im Allgemeinen auf eine Fehlfunktion hin. Falls nötig wenden Sie sich an einen Vertragshändler, um das Gerät reparieren zu lassen.

**GEFAHR**

Der Auswurfkamin enthält eine rotierende Wurfvorrichtung zum Auswerfen von Schnee. Beseitigen Sie Verstopfungen bzw. Schneeklumpen im Auswurfkamin keinesfalls mit den Händen oder während der Motor läuft.

Finger können leicht erfasst werden und eine Amputation oder schwere Risswunde kann die Folge sein.

- Den Auswurfkanal von Verstopfungen zu befreien ist eine gefährliche Aktivität. Verstopfte oder blockierte Schnecken speichern Energie und können sich selbst bei abgeschaltetem Motor unerwartet drehen.
- Sie dürfen keinesfalls in den Auswurfkamin greifen und Ihre Hände dürfen nicht in die Nähe des Auswurfkamins kommen.
- Warten Sie nach dem Ausschalten des Motors solange, bis alle rotierenden Teile zum Stillstand gekommen sind, und beseitigen Sie dann Verstopfungen bzw. Klumpen im Auswurfkamin mit einem Stock. Auch bei ausgeschaltetem Motor können Teile rotieren, was zum Verlust von Körperteilen führen kann.
- Schneeklumpen können andere Verstopfungen im Auswurfkamin verdecken und Schäden am Gerät, an der Wurfvorrichtung oder der Frässchnecke verursachen. Treffen Sie Vorsichtsmaßnahmen, wenn Sie das Gerät nach dem Entfernen von Schnee wieder starten.

**WARNUNG**

Verbrennungsmotoren stoßen Kohlenmonoxid, ein geruchloses, farbloses, giftiges Gas, aus.

Das Einatmen von Kohlenmonoxid kann zu Übelkeit, zur Ohnmacht oder zum Tode führen.

- Lassen Sie Motoren im Freien an und betreiben Sie Motoren im Freien.
- Lassen Sie Motoren nicht in geschlossenen Räumen an und betreiben Sie sie dort nicht, auch wenn Türen oder Fenster geöffnet sind.

**WARNUNG**

Benzin und Benzindämpfe sind leicht entflammbar und explosiv.
Ein Brand oder eine Explosion kann zu schweren
Verbrennungen oder zum Tode führen.

BEIM EINFÜLLEN VON KRAFTSTOFF ZU BEACHTEN

- Schalten Sie den Motor aus und lassen Sie den Motor mindestens 2 Minuten abkühlen, bevor Sie den Tankdeckel öffnen.
- Füllen Sie den Kraftstofftank im Freien oder in gut belüfteten Räumen auf.
- Verhindern Sie ein Überlaufen des Kraftstofftanks.
- Halten Sie Benzin fern von Hitze, Funken, offenen Flammen, Zündflammen und anderen Zündquellen.
- Prüfen Sie Kraftstoffleitungen, Verbindungen und den Tank und Deckel regelmäßig auf Risse und Lecks. Ersetzen Sie wenn nötig diese Komponenten.

BEIM ANLASSEN DES MOTORS ZU BEACHTEN

- Stellen Sie sicher, dass Zündkerze, Schalldämpfer, Tankdeckel und Luftfilter eingebaut bzw. angebracht sind.
- Lassen Sie den Motor nicht bei ausgebaute Zündkerze an.
- Wenn Kraftstoff verschüttet wurde, warten Sie solange, bis er verdampft ist, bevor Sie den Motor anlassen.
- Wenn der Motor „abgesoffen“ ist, stellen Sie den Choke auf OPEN/RUN, schieben Sie den Gashebel in die Stellung FAST und lassen Sie den Motor an.

BEIM BETRIEB DES GERÄTS ZU BEACHTEN

- Drosseln Sie den Vergaser nicht ab, um den Motor abzustellen.

BEIM TRANSPORT DES GERÄTS ZU BEACHTEN


- Beim Transport muss der Kraftstofftank LEER sein.

BEI DER LAGERUNG VON BENZIN ODER DES GERÄTS MIT BENZIN IM TANK ZU BEACHTEN

- Fern von Öfen, Herden, Wassererhitzern oder anderen Geräten halten, die eine Zündflamme oder eine andere Zündquelle aufweisen, da diese Geräte Benzindämpfe entzünden können.

REGELN FÜR DEN SICHEREN BETRIEB



WARNUNG: Diese Maschine kann Hände und Füße abschneiden und Objekte schleudern. Lesen Sie sich diese Regeln durch und befolgen Sie sie strikt. Eine Nichteinhaltung dieser Regeln kann dazu führen, dass Sie die Kontrolle über das Gerät verlieren, was zu schweren Verletzungen an Ihrer Person und anderen Personen oder zum Tod führen und Sachschäden verursachen kann. Das Dreieck  im Text stellt wichtige Warnungen dar, die unbedingt befolgt werden müssen.

Sichere Betriebspraktiken für Schneefräsen

WICHTIG: Die Sicherheitsstandards erfordern Bediener–Anwesenheitskontrollen, um das Verletzungsrisiko zu minimieren. Ihre Schneefräse ist mit solchen Kontrollen ausgestattet. Versuchen Sie unter keinen Umständen die Funktion der Bediener–Anwesenheitskontrolle zu unterdrücken.

Übung

1. Lesen, verstehen und befolgen Sie alle Anweisungen an der Maschine und in den Handbüchern, bevor Sie dieses Gerät betreiben. Seien Sie sehr sorgfältig mit den Kontrollen und der ordnungsgemäßen Verwendung des Gerätes. Sie müssen wissen wie Sie die Einheit schnell stoppen und die Kontrollen schnell auskuppeln können.
2. Lassen Sie das Gerät nie von Kindern betreiben. Lassen Sie nie Erwachsene dieses Gerät betreiben, ohne sie ordnungsgemäß einzuweisen.
3. Halten Sie den Betriebsbereich frei von Personen, insbesondere von kleinen Kindern und Haustieren.
4. Gehen Sie vorsichtig vor, um ein Ausrutschen oder Fallen zu vermeiden, wenn Sie das Gerät im Rückwärtsgang betreiben.

Vorbereitung

1. Untersuchen Sie den Bereich, in dem das Gerät verwendet werden soll, sorgfältig und entfernen Sie alle Fußabtreter, Schlitten, Bretter, Drähte und andere Fremdkörper.
2. Kuppeln Sie alle Kupplungen aus und schalten Sie auf Neutral, bevor Sie den Motor starten.
3. Betreiben Sie das Gerät nicht ohne geeignete Winterkleidung. Tragen Sie Schuhwerk, das die Trittfestigkeit auf glatten Oberflächen erhöht. Vermeiden Sie lockere Kleidung, die zwischen die sich bewegenden Teile geraten könnte.
4. Gehen Sie sorgfältig mit dem Kraftstoff um, er ist hochentzündlich.
 - a. Verwenden Sie einen zulässigen Kraftstoffbehälter.
 - b. Füllen Sie niemals Kraftstoff in einen laufenden oder heißen Motor nach.
 - c. Befüllen Sie den Kraftstofftank sehr vorsichtig. Befüllen Sie den Kraftstofftank nie im Haus. Schrauben Sie den Tankdeckel wieder fest und wischen Sie verschütteten Kraftstoff ab.
 - d. Befüllen Sie Behälter nie innerhalb eines Fahrzeugs oder auf einem LKW oder Anhänger mit Kunststoffdichtung. Stellen Sie den Behälter immer auf den Boden, von Ihrem Fahrzeug entfernt, bevor Sie ihn befüllen.
 - e. Wenn praktikabel, entfernen Sie gasgetriebene Geräte vom LKW oder Anhänger und betanken Sie diese auf dem Boden. Falls das nicht möglich ist, tanken Sie es lieber auf einem Anhänger auf als von einer Kraftstoffdispenserdüse.
 - f. Achten Sie darauf, dass die Düse bis zum Ende des Auftankens immer mit dem Rand des Kraftstofftanks oder Behälters in Kontakt bleibt. Verwenden Sie kein Gerät mit Düsenverriegelung.
 - g. Schrauben Sie den Tankdeckel wieder fest und wischen Sie verschütteten Kraftstoff ab.
 - h. Falls Kraftstoff auf Ihre Kleidung gelangt, wechseln Sie diese bitte sofort.
5. Verwenden Sie Verlängerungskabel und Anschlüsse wie vom Hersteller angegeben für alle Einheiten mit Antriebsmotoren oder elektrischen Startmotoren.

6. Stellen Sie die Höhe des Sammler–Gehäuses auf Schotter oder Kiesoberflächen ein.
7. Versuchen Sie nie irgendwelche Einstellungen bei laufendem Motor vorzunehmen (es sei denn dies wird speziell durch den Hersteller empfohlen).
8. Warten Sie, bis sich Motor und Schneefräse an die Außentemperaturen angepasst haben, bevor Sie mit dem Schneeräumen beginnen.
9. Tragen Sie beim Betrieb der Schneefräse sowie bei Einstellungen und Reparaturen immer eine Sicherheitsbrille oder einen Augenschutz, um Ihre Augen vor Fremdkörpern zu schützen, welche die Maschine schleudert.
10. Betreiben Sie die Schneefräse nie ohne geeignete Schutzgitter, Platten oder andere Sicherheitsvorrichtungen am Gerät.

Betrieb

1. Halten Sie Hände und Füße von rotierenden Teilen fern. Halten Sie sich immer von der Auswurföffnung fern.
2. Gehen Sie äußerst vorsichtig vor, wenn Sie auf Schotterwegen oder Schotterstraßen arbeiten oder diese überqueren. Achten Sie auf verborgene Gefahren und Verkehr.
3. Stoppen Sie den Motor, wenn Sie einen Fremdkörper berührt haben, schalten Sie den Motor ab, ziehen Sie Zündkabel ab, entfernen Sie das Kabel an Elektromotoren, untersuchen Sie die Schneefräse auf jegliche Schäden, und reparieren Sie den Schaden, bevor Sie die Schneefräse erneut starten und betreiben.
4. Falls die Einheit beim Start abnormal vibriert, stoppen Sie den Motor und suchen Sie sofort nach der Ursache. Vibration ist in der Regel ein Warnhinweis für Probleme.
5. Stoppen Sie den Motor, wann immer Sie die Betriebsposition verlassen, bevor Sie den Sammler/das Gebläsead–Gehäuse oder den Auswurfkanal von der Verstopfung befreien und wenn Sie irgendwelche Reparaturen, Einstellungen oder Untersuchungen vornehmen.
6. Stellen Sie beim Reinigen, Reparieren oder Untersuchen sicher, dass der Sammler/das Gebläsead und alle beweglichen Teile gestoppt haben. Ziehen Sie das Zündkabel ab und halten Sie das Kabel von der Zündkerze fern, um ein zufälliges Starten zu vermeiden.
7. Lassen Sie den Motor nicht im Haus laufen, außer beim Start des Motors und zum Transport der Schneefräse in das Gebäude hinein oder aus dem Gebäude heraus. Öffnen Sie die Außentüren; Abgase sind gefährlich (sie enthalten KOHLENMONOXID, ein geruchloses und TÖDLICHES GAS).
8. Gehen Sie besonders vorsichtig vor, wenn Sie an Abhängen arbeiten. Versuchen Sie nicht, Schnee an steilen Abhängen zu beräumen.
9. Betreiben Sie die Schneefräse nie ohne geeignete Schutzgitter, Platten oder andere Sicherheitsvorrichtungen am Gerät.
10. Richten Sie den Auswurfkanal niemals auf Menschen oder Bereiche wo Sachschäden entstehen können. Halten Sie Kinder und andere Personen fern.
11. Überlasten Sie die Maschinenkapazität nicht, indem Sie versuchen den Schnee zu schnell zu beräumen.
12. Betreiben Sie die Maschine auf glatten Oberflächen nie bei hohen Transportgeschwindigkeiten. Sehen Sie nach hinten und gehen Sie vorsichtig vor, wenn Sie im Rückwärtsgang arbeiten.
13. Schalten Sie die Stromzufuhr zum Sammler/Gebläsead aus, wenn die Schneefräse transportiert oder nicht betrieben wird.
14. Verwenden Sie nur vom Hersteller der Schneefräse zugelassenes Zubehör und Ersatzteile (wie Kabinen, Radketten etc.)

15. Betreiben Sie die Schneefräse nie ohne gute Sichtbarkeit oder Licht. Stellen Sie immer sicher, dass Sie trittfestes Schuhwerk anhaben und die Griffe richtig festhalten. Gehen Sie, nicht rennen.
16. Berühren Sie niemals einen heißen Motor oder Schalldämpfer.
17. Betreiben Sie die Schneefräse nie in der Nähe von Glaswänden, Fahrzeugen, Fensterschutzvorrichtungen, Abfalltonnen usw. ohne den Schneewurfwinkel entsprechend einzustellen.
18. Richten Sie den Schneewurf nie auf Zuschauende und erlauben Sie niemandem sich vor der Einheit aufzuhalten.
19. Belassen Sie eine laufende Einheit nie ohne Aufsicht. Kuppeln Sie immer die Schnecke und die Zugsteuerungen aus, schalten Sie den Motor ab und entfernen Sie die Schlüssel.
20. Betreiben Sie die Einheit nie unter Einfluss von Alkohol oder Drogen.
21. Denken Sie immer daran, dass die Bedienperson für alle Unfälle an Personen und Sachwerten verantwortlich ist.
22. Daten weisen darauf hin, dass an einem großen Anteil aller Stromgerät-bezogenen Verletzungen Personen ab einem Alter von 60 Jahren beteiligt sind. Diese Bedienpersonen sollten ihre Fähigkeit einschätzen die Einheit sicher genug zu bedienen, um sich und andere vor Verletzungen zu schützen, bevor sie das Gerät betreiben.
23. TRAGEN SIE KEINE langen Schals oder lockere Kleidung, die sich in den beweglichen Teilen verfangen könnte.
24. Schnee kann Hindernisse verbergen. Stellen Sie sicher, dass Sie alle Hindernisse aus dem zu beräumenden Bereich entfernen.
2. Lagern Sie die Maschine niemals innerhalb eines Gebäudes, in dem sich Zündquellen wie heißes Wasser und Heizkörper oder Bekleidungstrockner befinden, wenn sich Kraftstoff im Tank befindet. Lassen Sie den Motor abkühlen, bevor Sie das Gerät in irgendeinem Schuppen lagern.
3. Lesen Sie wichtige Details immer in der Bedienungsanleitung nach, wenn die Schneefräse über einen längeren Zeitraum gelagert werden soll.
4. Belassen Sie Sicherheits- und Anleitungsetiketten an ihrem Platz oder ersetzen Sie sie falls erforderlich.
5. Lassen Sie die Maschine nach der Schneeräumung einige Minuten laufen, um ein Einfrieren des Sammlers/Gebälserades zu verhindern.
6. Falls Kraftstoff verschüttet wird, versuchen Sie nicht den Motor zu starten, sondern bringen Sie die Maschine aus dem Bereich weg, in dem der Kraftstoff verschüttet wurde, und vermeiden Sie die Schaffung jeder Art von Zündquelle zu vermeiden, bis die Kraftstoffdämpfe sich verzogen haben.
7. Verwenden Sie immer sichere Praktiken beim Auftanken und bei der Handhabung von Kraftstoff, wenn Sie die Einheit nach Transport oder Lagerung auftanken.
8. Befolgen Sie immer die Bedienungsanleitung, um das Gerät auf die Lagerung sowohl für kurze als auch für längere Zeiträume vorzubereiten.
9. Befolgen Sie immer die Anweisungen im Motor-Handbuch für ordnungsgemäße Start-verfahren, wenn Sie die Einheit erneut einsetzen.
10. Halten Sie Muttern und Schrauben fest angezogen und achten Sie darauf, dass die Einheit im guten Zustand bleibt.
11. Manipulieren Sie nie an den Sicherheitsvorrichtungen herum. Überprüfen Sie deren ordnungsgemäßen Betrieb regelmäßig und nehmen Sie die nötigen Reparaturen vor, wenn sie nicht ordnungsgemäß funktionieren.
12. Die Komponenten unterliegen Abnutzung, Schäden und Alterung. Überprüfen Sie die Komponenten häufig und ersetzen Sie sie wenn nötig durch vom Hersteller empfohlene Teile.
13. Überprüfen Sie den Betrieb häufig. Nehmen Sie Einstellungen und Wartungsarbeiten wie erforderlich vor.
14. Verwenden Sie nur vom Hersteller genehmigte Ersatzteile, wenn Sie Reparaturen vornehmen.
15. Halten Sie sich bei allen Einstellungen und Korrekturen immer an die Herstellerspezifikation.
16. Nur autorisierte Wartungsdienste sollten für größere Wartungsarbeiten und Reparaturen genutzt werden.
17. Versuchen Sie nie größere Reparaturen an dieser Einheit vorzunehmen, es sei denn Sie wurden entsprechend ausgebildet. Unsachgemäße Wartungsprozeduren können zu gefährlichem Betrieb, Schäden an der Einheit und zum Erlöschen der Herstellergarantie führen.

Kinder

Tragische Unfälle können die Folge sein, wenn die Bedienperson nicht auf die Anwesenheit von Kindern achtet. Kinder werden oft durch die Einheit und ihren Betrieb angezogen. Nehmen Sie nie an, dass Kinder dort bleiben, wo Sie sie zuletzt gesehen haben.

1. Halten Sie Kinder außerhalb des Betriebsbereiches und unter der sorgfältigen Obhut eines anderen verantwortlichen Erwachsenen.
2. Seien Sie gewarnt und schalten Sie die Einheit ab, wenn Kinder den zu beräumenden Bereich betreten.
3. Lassen Sie das Gerät nie von Kindern betreiben.
4. Seien Sie besonders vorsichtig, wenn Sie sich blinden Ecken, Büschen, Bäumen oder anderen Objekten nähern, die den Blick behindern.

Freiräumen eines verstopften Auswurfkanal

Handkontakt mit dem rotierenden Gebläserad im Inneren des Auswurfkanals ist die häufigste Ursache von Verletzungen im Zusammenhang mit Schneefräsen. Reinigen Sie den Auswurfkanal niemals mit der Hand.

Um den Kanal zu reinigen:

1. SCHALTEN SIE DEN MOTOR AB.
2. Warten Sie 10 Sekunden, um sicher zu gehen, dass die Gebläseblätter zu rotieren aufgehört haben.
3. Verwenden Sie immer ein Reinigungswerkzeug, nicht die Hände.

Service, Wartung und Lagerung

1. Überprüfen Sie die Schneidebolzen in häufigen Intervallen auf Festigkeit, um sicher zu stellen, dass das Gerät in einem sicheren Arbeitszustand ist.

Abgase

1. Die Motorenabgase von diesem Produkt enthalten Chemikalien, von denen bekannt ist, dass sie in bestimmter Menge Krebs, Geburtsfehler oder negative Auswirkung auf die Fortpflanzung haben können.
2. Falls verfügbar, suchen Sie nach den relevanten Informationen zu Emissionsgrenzwerten auf dem Motorenetikett.

Zündsystem

1. Dieses Zündkerzensystem entspricht der kanadischen Richtlinie ICES-002.

MONTAGE

Lesen und befolgen Sie die Anweisungen für das Montieren und Einstellen Ihrer Schneefräse. Alle Befestigungsteile befinden sich im Teilebeutel. Bewahren Sie alle Teile und Materialien auf, bis das Gerät montiert ist.



WARNUNG: Entfernen Sie vor der Montage bzw. vor etwaigen Reparaturen an der Schneefräse das Zündkabel.

HINWEIS: Beschreibungen werden in diesem Bedienerhandbuch aus der Perspektive des BEDIENERS hinter der Schneefräse gegeben.

HINWEIS: Die Drehkraft wird in Foot Pounds (metrisch N.m) gemessen. Diese Maßeinheit gibt an, wie fest eine Mutter oder ein Bolzen anzuziehen ist. Die Drehkraft wird mit einem Drehmomentschlüssel gemessen.

HINWEIS: Befestigungsteile und lose Teile werden in Abb. 2 in voller Größe dargestellt ab Seite 175.

HINWEIS: Abbildungen sind auf Seite 2 und auf den Seiten 176 bis 181 enthalten.

Benötigte Werkzeuge

- 1 Messer
- 1 Zange
- 2 1/2-Zoll Schraubenschlüssel
- 2 9/16-Zoll Schraubenschlüssel
- 2 3/4-Zoll Schraubenschlüssel
- 1 Maßband oder Lineal
- 1 Schraubendreher

Die Schneefräse aus dem Karton nehmen

1. (**Abb. 3**) Die Schneefräse wird in der Position gezeigt, in der sie verschickt wird.
2. Schneiden Sie den Karton an allen vier Kanten auf und legen Sie die Seitenplatten flach auf den Boden oder verwenden Sie die Aufreißflasche, um den Kasten von der Basis zu nehmen.
3. Entfernen Sie die Plastikbänder, durch die die Auswurfhebelmontage und der Geschwindigkeitshebel gehalten werden.
4. Entnehmen Sie dem Karton alle Teile, die einzeln verpackt sind.
5. Entfernen Sie das Verpackungsmaterial, das die Schneefräse umgibt.
6. (**Abb. 1**) Für den Transport sind die **höhenverstellbaren Gleitkufen (7)** an der Palette angebracht. Entfernen Sie die **Schraube (17)**, durch die jede **höhenverstellbare Gleitkufe (7)** an der Palette gehalten wird.
7. Halten Sie den unteren Griff fest und ziehen Sie die Schneefräse von der Palette herab.
VORSICHT: Fahren Sie NICHT über die Kabel.
8. Entfernen Sie das Verpackungsmaterial von der Griffmontage.
9. Schneiden Sie die Bänder durch, die die **Kupplungskabel (1)** mit dem **unteren Griff (2)** verbinden. Entfernen Sie die Kabel vom Motorgehäuse.

Montage des Griffs

1. (**Abb. 4**) Lockern Sie die **Schrauben (1)** (aber entfernen Sie sie nicht) in den oberen Löchern der **unteren Griffe (3)**.

2. Entfernen Sie die Befestigungsteile aus den unteren Löchern des **unteren Griffs (3)**.
3. (**Abb. 1**) Stellen Sie den **Schalthebel (6)** in die erste Vorwärtsposition.
4. (**Abb. 4**) Heben Sie den **oberen Griff (2)** in die Betriebsposition.
HINWEIS: Stellen Sie sicher, dass sich die Kabel nicht zwischen unterem und oberem Griff verfangen.
5. Montieren Sie die Befestigungsteile, die in Schritt 2 entfernt wurden. Ziehen Sie die Schrauben NICHT an, bevor alle Befestigungsteile angebracht sind.
6. Ziehen Sie alle Griffbefestiger fest an.

Montieren der Geschwindigkeitssteuerstange

1. (**Abb. 9**) Das **Kugelgelenk (6)**, das sich am unteren Ende der **Geschwindigkeitssteuerstange (2)** befindet, an der **Schaltstange (7)** anbringen. Die **Befestigungsteile (8)** werden bereits in der Fabrik am **Kugelgelenk (6)** angebracht. Die Länge des **Kugelgelenks (6)** und der **Geschwindigkeitssteuerstange (2)** wurde bereits in der Fabrik eingestellt. Ist eine Neueinstellung nötig, die **Schraubenmutter (9)** lösen. Durch Entfernen der **Befestigungsteile (8)** wird das **Kugelgelenk (6)** von der **Schaltstange (7)** gelöst. Zum Verlängern bzw. Verkürzen der **Geschwindigkeitssteuerstange (2)** den **Adapter (10)** so lange drehen, bis die korrekte Länge erreicht ist.
2. (**Abb. 12**) Den **Handgriff (11)** auf dem **Geschwindigkeitshebel (5)** befestigen. An manchen Modellen ist der **Griff (11)** bereits angebracht. Um ihn in der Position festzustellen, die **Sechskantmutter (10)** gegen die Unterseite des **Handgriffs (11)** festziehen.
3. Sichergehen, dass der **Geschwindigkeitshebel (5)** richtig funktioniert. Den **Geschwindigkeitshebel (5)** in alle Geschwindigkeitsstufen stellen.

Montieren der Griffe

HINWEIS: Sind Griffe bereits montiert, zur nächsten Auswahl gehen.

Auswurf-Fernsteuerhebel (**Abb. 12**)

1. Ordnen Sie den **Handgriff (1)** für den Fernsteuerhebel auf dem **Hebel (3)** an, bis er satt an der **Schraubenmutter (2)** anliegt. Bei manchen Modellen ist der **Auswurf-Fernsteuerhebel (1)** bereits angebracht.
2. Stellen Sie sicher, dass der **Vorsprung (4)** auf dem **Auswurf-Fernsteuerhebel (1)** auf den Motor gerichtet ist.
3. Ziehen Sie die **Schraubenmutter (2)** gegen die Unterseite des **Handgriffs (1)** fest.

Montage des Ablenkers

1. (**Abb. 6**) Entfernen Sie die **Schloßschraube (1)**.
2. Heben Sie den **Ablenker (2)** in die **Betriebsposition (3)** an.
3. Montieren Sie den **Ablenker (2)** mit der **Schloß-Schraube (1)** an den **Flansch (4)**. Stellen Sie sicher, dass sich der Kopf der **Schloß-Schraube (1)** auf der Innenseite des **Flansches (2)** befindet.
4. Festigen Sie die Teile mit **Unterlegscheiben (5)** und **Gegenmutter (6)**.

5. Ziehen Sie die **Gegenmutter (6)** fest an.

HINWEIS: Stellen Sie sicher, dass alle Schloß-Schrauben im Flansch fest angezogen sind. ZIEHEN SIE NICHT ZU FEST AN.

Kabel überprüfen

1. (**Abb. 8**) Überprüfen Sie das **Antriebskabel (1)** und das **Räumwerk-kabel (2)**. Wenn sich die Unterseite der Kabel gelöst hat und nicht mehr angeschlossen ist, installieren Sie die Kabel von Neuem.
2. (**Abb. 10**) Wenn sich die **Kabel (5)** oben gelöst haben und nicht mehr am **Antriebshebel (6)** angeschlossen sind, befestigen Sie die **Kabel (5)** im jeweiligen „Z“-Anschluss-Stück (7).

Einstellung der Kufenhöhe (**Abb. 1**)

Die Schneefräse ist mit **höhenverstellbaren Gleitkufen (7)** ausgerüstet, die an der Außenseite des **Räumwerkgehäuses (4)** angebracht sind. Für die Einstellung der Kufenhöhe siehe „Einstellung der Kufenhöhe“ im Wartungsabschnitt.

Kabellänge einstellen

Die Kabel wurden in der Fabrik eingestellt, daher sollten keine Neueinstellungen nötig sein. Nachdem die Griffe in die Betriebsposition gestellt wurden, können die Kabel jedoch zu eng oder zu locker sitzen. Sollte eine Neueinstellung nötig sein, lesen Sie „Überprüfen und Einstellen der Kabel“ im Wartungs- und Einstellungsabschnitt.

Montage der Schneemesser (falls vorhanden)

Mit den Schneemessern kann man Wege in den Schnee fräsen, die tiefer als das Räumwerkgehäuse liegen.

1. (**Abb. 11**) Die **Flügelmuttern (2)** lösen, mit denen die **Schneemesser (1)** am Räumwerkgehäuse festgehalten werden.
2. Die **Schneemesser (1)** auf die gewünschte Höhe anheben.
3. Die **Flügelmuttern (2)** festziehen.

Vorbereiten des Motors

HINWEIS: Der Motor wird ab Werk mit Öl gefüllt geliefert. Überprüfen Sie den Ölstand. Füllen Sie nach Bedarf Öl nach. Der Motor enthält kein BENZIN.



WARNUNG: Verwenden Sie nur die Benzin- und Ölsorte, die vom Motorhersteller angegeben wird. Verwenden Sie immer einen sicherheitsgeprüften Benzinbehälter. Rauchen Sie nicht beim Benzintanken. Tanken Sie kein Benzin in geschlossenen Räumen. Stellen Sie den Motor vor dem Benzintanken ab. Lassen Sie den Motor einige Minuten lang abkühlen.

Überprüfen Sie den Ölstand. Siehe die Anweisungen des Motorherstellers bezüglich zu verwendender Benzin- und Ölsorte. Lesen Sie vor Benutzen der Schneefräse die Informationen über Sicherheit, Betrieb, Wartung und Lagerung.

Wichtig! Vor Inbetriebnahme

- Die Befestigungsteile überprüfen. Sicherstellen, dass alle Befestigungsteile fest sitzen.
- Bei Modellen mit Elektrostart ist die Anlasserschnur in den Motor eingesteckt. Vor Inbetriebnahme die Anlasserschnur ausstecken.

BETRIEB

Hinweis: Abbildungen sind auf Seite 2 und auf den Seiten 176 bis 181 enthalten.

VORSICHT: Nur Anbauvorrichtungen und Zubehör verwenden, die vom Hersteller der Schneefräse zugelassen sind (z. B. Schneeketten, elektrische Startkits usw.).

Über die Schneefräse (Abb. 1)

Lesen Sie vor Benutzung der Schneefräse das Bedienerhandbuch und die Sicherheitsregeln durch. Vergleichen Sie die Abbildung mit Ihrer Schneefräse, um sich mit den verschiedenen Stellteilen und den Einstellungen vertraut zu machen.

Kontrollieren des Schneeauswurfs



WARNUNG: Richten Sie den Schneeauswurf niemals auf Umstehende.



WARNUNG: Stellen Sie den Motor immer ab, bevor Sie den Auswurfkamin bzw. das Räumwerkgehäuse reinigen und wenn Sie die Schneefräse abstellen.

1. (Abb. 5) Zum Einstellen der Schneeauswurfrichtung (von links nach rechts) den elektrischen Schalter für Schneeauswurf (2) bedienen.
2. Den Auswurf-Fernsteuerhebel (17) nach vorne drücken, um den Schnee hoch und weit auszuwerfen. Soll der Schnee nach unten ausgeworfen werden, den Auswurf-Fernsteuerhebel (17).

Anhalten der Schneefräse (Abb. 1)

1. Zum Stoppen des Schneeauswurfs den Räumwerkhebel (5) loslassen.
2. Zum Blockieren der Räder den Antriebshebel (1) loslassen.
3. Um den Motor bei Modellen mit Gashebel (13) abzustellen, schieben Sie den Gashebel (13) zuerst auf die Stellung LANGSAM, und dann auf die Stellung STOPP.
4. Um den Motor bei Modellen mit Zündschalter (13) abzustellen, schieben Sie den Zündschalter (13) auf die Stellung AUS.
5. Ziehen Sie den Sicherheitsschlüssel (8) ab.

VORSICHT: Zum Abstellen des Motors den Choke nicht in die Position CHOKE bringen, da dadurch eine Fehlzündung bzw. ein Motorschaden hervorgerufen werden kann.

Vorwärts- und Rückwärtsfahren (Abb. 1)

1. Zur Änderung der Grundgeschwindigkeit zuerst den Antriebshebel (1) loslassen und dann den Geschwindigkeitshebel (6) auf die gewünschte Geschwindigkeit stellen.
2. Die Grundgeschwindigkeit wird durch die Schneeverhältnisse bestimmt. Geschwindigkeit wählen durch Schieben des Geschwindigkeitshebels (6) in die entsprechende Kerbe auf dem Blech.

Gschw. 1, 2	Nass, Schwer
Gschw. 3	Leicht
Gschw. 4	Sehr Leicht
Gschw. 5, 6	Ausschließlich Transport
3. Zum Vorwärtsbewegen den Antriebshebel (1) betätigen. Den Griff festhalten, wenn sich die Schneefräse vorwärts bewegt. Steuerung der Schneefräse erfolgt durch Drehen des Griffes nach links oder rechts. Versuchen Sie nicht, die Schneefräse zu stoßen.
4. Zum Rückwärtsfahren den Antriebshebel (1) loslassen.
5. Stellen Sie den Geschwindigkeitshebel (6) entweder in den ersten oder zweiten Rückwärtsgang.
6. Bedienen Sie den Antriebshebel (1).

WICHTIG: Den Geschwindigkeitshebel (6) nicht bedienen, während der Antriebshebel (1) eingekuppelt ist.

Schneeauswurf (Abb. 1)

1. Bedienen Sie den Räumwerkhebel (5).
2. Lassen Sie zum Stoppen des Schneeauswurfs den Räumwerkhebel (5) los.



WARNUNG: Beim Bedienen der Schneefräse können ausgeworfene Fremdojekte in die Augen gelangen und schwere Augenschäden hervorrufen. Tragen Sie daher beim Schneefräsen grundsätzlich eine Sicherheitsbrille bzw. Augenschutz. Wir empfehlen Standardsicherheitsbrillen oder einen Sicherheitsschild mit umfassender Sicht, der über der Brille getragen wird.

Gebrauch der heizbaren Griffe (Abb. 5)



WARNUNG: Die heizbaren Griffe werden in Anspruch genommen, wenn die Temperaturen unter den Gefrierpunkt fallen. Die heizbaren Griffe nicht einschalten, wenn die Temperaturen über dem Gefrierpunkt liegen.

Wenn die Temperaturen unter dem Gefrierpunkt liegen, die heizbaren Griffe zum Warmhalten der Hände verwenden. Den Schalter für die heizbaren Griffe (20) in die Position EIN stellen. Es dauert ein paar Minuten, bis sich die Griffe erwärmen. Da heizbare Griffe sehr warm werden können, sollten Handschuhe getragen werden. Die heizbaren Griffe ausschalten, wenn sie zu warm werden.

Vor dem Anlassen des Motors

1. Machen Sie sich vor dem Warten bzw. Starten des Motors mit der Schneefräse vertraut. Stellen Sie sicher, dass Sie die Funktion und Platzierung aller Steuerelemente kennen.
2. Überprüfen Sie vor Starten des Motors die Spannung des Kupplungskabels. Lesen Sie „Einstellung des Kupplungskabels“ im Wartungsabschnitt dieses Handbuchs.

3. Stellen Sie sicher, dass alle Befestigungsteile fest angezogen sind.
4. Stellen Sie sicher, dass die Kufenhöhe richtig eingestellt ist. Lesen Sie dazu „Einstellung der Kufenhöhe“ im Wartungsabschnitt dieses Handbuchs.
5. Überprüfen Sie den Reifendruck. Der richtige Luftdruck beträgt zwischen 1 BAR (14 PSI) und 1,25 BAR (17 PSI). Übersteigen Sie den an der Seite des Reifens gezeigten Luftdruck nicht.

Abschalten des Motors (Abb. 1)

1. Um den Motor bei Modellen mit Gashebel (13) abzustellen, schieben Sie den Gashebel (13) zuerst auf die Stellung LANGSAM, und dann auf die Stellung STOPP.
2. Um den Motor bei Modellen mit Zündschalter (13) abzustellen, schieben Sie den Zündschalter (13) auf die Stellung AUS.
3. Ziehen Sie den Sicherheitsschlüssel (8) ab. Bewahren Sie den Zündschlüssel (8) an einem sicheren Ort auf. Der Motor kann ohne den Zündschlüssel (8) nicht angelassen werden.

VORSICHT: Zum Abstellen des Motors den Choke nicht in die Position CHOKE bringen, da dadurch eine Fehlzündung bzw. ein Motorschaden hervorgerufen werden kann.

Anlassen des Motors (Abb. 1)

Schneefräse mit Elektrostart

HINWEIS: Ein elektrischer Anlasser kann nachträglich an einem Rückstartmotor angebracht werden. Elektrische Anlasser sind bei autorisierten Kundendienstzentren erhältlich.



WARNUNG: Der Elektrostart ist mit Dreileiterkabel und -steckdose ausgerüstet und auf 220-Volt Wechselstrom ausgerichtet. Das Starkstromkabel muss stets sachgemäß geerdet sein, um einen elektrischen Schock auszuschließen und somit die Verletzungsgefahr für den Benutzer zu beseitigen. Befolgen Sie sorgfältig alle Anweisungen im Abschnitt „Anlassen des Motors“. Stellen Sie sicher, dass es sich bei der Verkabelung in Ihrem Haus um ein geerdetes Dreileitersystem handelt. Fragen Sie im Zweifelsfall einen zugelassenen Elektriker. Wenn es sich nicht um ein geerdetes Dreileitersystem handelt, verwenden Sie unter keinen Umständen den Elektrostart. Wenn Ihr System geerdet ist, aber für das Anlassen keine geerdete Dreileitersteckdose zur Verfügung steht, lassen Sie diese von einem zugelassenen Elektriker installieren. Wenn Sie ein 220-Volt-Wechselstromkabel an die Strombuchse (11) anschließen wollen, schließen Sie immer erst die Strombuchse (11) an den Motor an. Stecken Sie dann das andere Ende in die geerdete Dreileitersteckdose. Ziehen Sie beim Ausstecken stets zuerst das Ende aus, das sich in der geerdeten Dreileitersteckdose befindet.

Anlassen bei kaltem Motor (Abb. 1)

1. Das Motorenöl überprüfen.
2. Den Benzintank mit regulärem bleifreiem Benzin volltanken. Lesen Sie dazu „Vorbereiten des Motors“.
3. Stellen Sie sicher, dass der **Antriebshebel (1)** und der **Räumwerkhebel (5)** ausgekuppelt sind.
4. Um den Motor bei Modellen mit **Gashebel (13)** anzulassen, schieben Sie den **Gashebel (13)** auf die Stellung SCHNELL. Betreiben Sie den Motor mit dem **Gashebel (13)** auf der Stellung SCHNELL.
5. Um den Motor bei Modellen mit **Zündschalter (13)** anzulassen, schieben Sie den **Zündschalter (13)** auf die Stellung EIN.
6. Stecken Sie den **Sicherheitsschlüssel (8)** in den Motorschlüsselschlitz. Achten Sie darauf, dass der **Sicherheitsschlüssel (8)** ganz eingesteckt ist. **Drehen Sie den Zündschlüssel (8) nicht.**
7. Stellen Sie den **Choke (14)** vollkommen auf die Startposition.
8. (**Elektrostart**) Schließen Sie das Starkstromkabel an die **Strombuchse (11)** am Motor an.
9. (**Elektrostart**) Stecken Sie das andere Ende des Starkstromkabels in eine geerdete Dreileitersteckdose mit 220-Volt-Wechselstromspannung ein. (Siehe WARNUNG in diesem Abschnitt).
10. Drücken Sie den **Zündungsknopf (9)**. Warten Sie bei jedem Drücken des **Zündungsknopfes (9)** zwei Sekunden. Lesen Sie in den Anweisungen des Motorherstellers nach, wie oft der **Zündungsknopf (9)** zu drücken ist.
11. (**Elektrostart**) Drücken Sie den **Elektrostartknopf (10)** so lange, bis der Motor startet. Drücken Sie höchstens 5 Sekunden am Stück. Warten Sie eine Minute zwischen den Startversuchen, so dass der Anlasser abkühlen kann. Wenn der elektrische Anlasser überhitzt, stoppt er automatisch und kann erst wieder neu gestartet werden, wenn er auf eine sichere Temperatur abgekühlt ist. Eine Wartezeit von 5 bis 10 Minuten ist zum Abkühlen des elektrischen Anlassers nötig.
12. (**Rückstart**) Ziehen Sie den **Rückstarthebel (12)** langsam, bis Widerstand spürbar ist und ziehen Sie dann schnell zum Anlassen des Motors. Vermeiden Sie ein Zurückschnappen des **Rückstarthebels (12)**. Lassen Sie den **Rückstarthebel (12)** langsam in die Ausgangsposition zurück.
13. Wenn der Motor nach fünf oder sechs Startversuchen nicht anspricht, lesen Sie die Anweisungen im Fehlersuchdiagramm.
14. Lassen Sie den Motor mehrere Minuten lang aufwärmen. Stellen Sie, während der Motor warmläuft, den **Choke (14)** schrittweise in die Position AN. Warten Sie vor jeder neuen Choke-Einstellung, bis der Motor rund läuft.

15. (**Elektrostart**) Erst das Starkstromkabel ausstecken. Dann von der **Strombuchse (11)** lösen.
HINWEIS: Bei Temperaturen unter -18°C (0° Fahrenheit), den Motor mehrere Minuten lang vor dem Schneefräsen aufwärmen lassen.
16. Achten Sie darauf, dass beim Schneefräsen der **Gashebel (13)** (sofern vorhanden) stets auf schnell gestellt ist.



WARNUNG: Lassen Sie den Motor nie innerhalb eines Gebäudes oder in einem geschlossenen, schlecht gelüfteten Gebiet laufen. Abgase enthalten Kohlenmonoxid, ein geruchloses und tödliches Gas. Halten sie Hände, Füße, Haare und weite Kleidung von den beweglichen Teilen an Motor oder Schneefräse fern. Die Temperatur des Auspuffs und der Umgebung kann bei über 66°C (150° Fahrenheit) liegen. Vermeiden Sie diese Gebiete.

Anlassen bei warmem Motor (Abb. 1)

Wenn der Motor an war und noch warm ist, lassen Sie den **Choke (14)** auf aus und drücken Sie nicht den **Zündungsknopf (9)**. Wenn der Motor nicht anspricht, befolgen Sie die Anweisungen in „Anlassen bei kaltem Motor“.

HINWEIS: Drücken Sie bei einem Warmstart nicht den Zündungsknopf (9).

Anlassen des Motors bei gefrorenem elektrischem Anlasser (Abb. 1)

Ist der elektrische Anlasser eingefroren und dreht den Motor nicht, folgen Sie den Anweisungen unten.

1. Ziehen Sie das Anlasserseil so weit wie möglich aus dem Anlasser.
 2. Lassen Sie den Anlasserhebel los und lassen Sie ihn gegen den Anlasser schnappen. Wiederholen Sie diesen Vorgang, bis der Motor anspricht.
- Ein warmer Motor verursacht bei kaltem Wetter Kondensation. Gehen Sie zur Vermeidung eines möglichen Einfrierens von Rückstarter und Motorstellteilen nach jeder Schneeabseilung folgendermaßen vor.
1. Lassen Sie die Schneefräse nach dem Schneefräsen noch eine Weile laufen, um ein Einfrieren des Räumwerks zu vermeiden.
 2. Lassen Sie den abgestellten Motor mehrere Minuten lang abkühlen.
 3. Ziehen Sie das Anlasserseil sehr langsam, bis ein Widerstand spürbar ist und stoppen Sie dann. Warten Sie, bis das Anlasserseil wieder aufgewickelt ist. Wiederholen Sie diesen Vorgang drei Mal.
 4. Stellen Sie den Motor ab. Wischen Sie sämtliche Schnee sowie alle Feuchtigkeit vom Vergasergehäuse in den Bereichen der Steuerelemente und Hebel ab. Betätigen Sie außerdem mehrmals den Choke und Anlasserhebel.

Schnee und Geröll vom Räumwerk entfernen 7



WARNUNG: Unternehmen Sie keinen Versuch, im Räumwerk eingelagerten Schnee bzw. Geröll von Hand zu entfernen. Mit Hilfe des Reinigungsstabs oder eines Brecheisens Schnee oder Geröll entfernen.

(Abb. 7) Bei einigen Modellen ist oben auf dem Räumwerkgehäuse ein Reinigungsstab angebracht. Entfernen Sie Schnee auf dem Räumwerkgehäuse mit Hilfe des Reinigungsstabs.

1. (Abb. 1) Lösen Sie den Räumwerkhebel (5).
2. Schalten Sie den Motor ab.
3. Ziehen Sie den **Zündschlüssel (8)** (nicht drehen).
4. Lösen Sie das Zündkabel.
5. Halten Sie Ihre Hände vom **Räumwerkgehäuse (4)** oder dem **Auswurfkamin (3)** fern.
6. (Abb. 7) Benutzen Sie zur Schnee- und Geröllentfernung den Reinigungsstab oder ein Brecheisen.

Tips für das Schneefräsen

1. Sie erzielen mit der Schneefräse beste Ergebnisse beim Schneeräumen, wenn Sie die Bodengeschwindigkeit anpassen. Vermindern Sie in Tief-, Eis- oder Nass-Schnee die Geschwindigkeit. Wenn die Räder rutschen, verringern Sie die Vorwärtsgeschwindigkeit.
2. Der beste Zeitpunkt für Schneefräsen ist sofort nach Neuschnee.
VORSICHT: Die Maschine nicht überlasten, indem versucht wird, den Schnee zu schnell zu räumen.
3. Für vollständiges Schneefräsen fräsen Sie jeweils ein Stück des vorherigen Pfades mit.
4. Der Schneeauswurf sollte, so oft dies möglich ist, immer bergab erfolgen.
5. Stellen Sie die Kufen für den normalen Gebrauch so ein, dass sich die Streichstange 3 mm über den Kufen befindet. Stellen Sie die Kufen bei extrem hartem Schnee höher, so dass die Streichstange den Boden berührt.
6. Gestein und Kies dürfen von der Schneefräse nicht aufgenommen und ausgeworfen werden. Stellen Sie auf Oberflächen mit Kies und gebrochenem Gestein die Kufen 32 mm unterhalb der Streichstange ein. Lesen Sie „Einstellen der Kufenhöhe“ im Wartungsabschnitt.
7. Lassen Sie den Motor nach jedem Schneefräsen ein paar Minuten im Leerlauf laufen. Der Schnee und das angesammelte Eis schmelzen auf dem Motor.
8. Reinigen Sie die Schneefräse nach jedem Gebrauch.
9. Entfernen Sie Eis, Schnee und Geröll von der gesamten Schneefräse. Spülen Sie mit Wasser, um Salz und andere Chemikalien zu entfernen. Reiben Sie die Schneefräse trocken.

WARTUNGSDIAGRAMM

VERANTWORTUNGEN DES EIGENTÜMERS

WARTUNGSAUFZEICHNUNGEN Daten Schritt für Schritt während der regulären Wartungstermine ausfüllen.	Vor Jedem Gebrauch	Nach den ersten zwei Stunden	Alle 5 Stunden	Alle 10 Stunden	Alle 25 Stunden	Bei jedem Gebrauch	Vor dem Abstellen	WARTUNGSDATEN
Motorölstand überprüfen	√		√			√		
Motoröl wechseln					√	√		
Alle Schrauben und Schraubenmuttern überprüfen	√					√		
Zündkerze überprüfen					√	√		
Antriebsriemen einstellen		√			√	√		
Benzinstand überprüfen	√							
Benzintank leeren							√	
Kabeleinstellung der Räumwerkskupplung überprüfen (Siehe Kabeleinstellung)		√				√		
Kabeleinstellung der Fahrkupplung überprüfen (Siehe Kabeleinstellung)		√				√		
Alle Drehpunkte schmieren				√			√	
Frässhneckenachse schmieren (Siehe Ersetzen der Scherbolzen)				√			√	
Antriebsketten und Kettenräder schmieren				√			√	

WARTUNG

HINWEIS: Abbildungen sind auf Seite 2 und auf den Seiten 176 bis 181 enthalten.

Halten Sie Ihre Schneefräse mit Hilfe des folgenden Abschnittes über Wartung betriebsbereit. Alle Wartungsinformationen über den Motor befinden sich in den Anweisungen des Motorherstellers. Lesen Sie dieses Buch vor Anlassen des Motors.



WARNUNG: Ziehen Sie das Zündkabel, bevor Sie Inspektionen, Einstellungen (mit Ausnahme des Vergasers) oder Reparaturen durchführen.

Allgemeine Empfehlungen

Die Garantie für diese Schneefräse erstreckt sich nicht auf Objekte, die durch falsche Behandlung durch den Benutzer oder durch Nachlässigkeit beschädigt wurden. Für eine volle Garantie muss der Benutzer die Schneefräse gemäß den Anweisungen in diesem Handbuch warten.

Zur Wartung der Schneefräse müssen in regelmäßigen Abständen einige Anpassungen vorgenommen werden.

Nach Jedem Gebrauch

- Überprüfen Sie, ob Teile gelockert bzw. beschädigt wurden.
- Ziehen Sie alle lockeren Schraubenbolzen fest an.

- Überprüfen und warten Sie das Räumwerk.
- Überprüfen Sie die Steuerelemente auf richtiges Funktionieren.
- Ersetzen Sie abgenutzte oder beschädigte Teile umgehend.
- Alle Sicherheits- und Anleitungsschilder und -etiketten überprüfen. Fehlende oder unleserliche Schilder oder Etiketten ersetzen.

Alle Anpassungen im Wartungsabschnitt dieses Handbuches sollten mindestens ein Mal pro Saison überprüft werden.

Wenn erforderlich

Die folgende Einstellung sollte öfter als ein Mal pro Saison durchgeführt werden.

1. Stellen Sie den Antriebsriemen des Räumwerks nach den ersten 2 bis 4 Stunden ein Mal, dann in der Mitte der Saison und danach zwei Mal pro Saison ein. Lesen Sie „Einstellen des Räumwerkantriebsriemens“ im Wartungsabschnitt.

Schmierung

Alle 10 Stunden (Abb. 14)

1. Schmieren Sie die **Schmiernippel (1)** alle zehn Betriebsstunden mit einer Fettpresse.

2. Bei jedem Auswechseln eines Scherbolzens muss die Frässhneckenachse auch geschmiert werden.
3. Schmieren Sie alle Drehpunkte.

Alle 25 Stunden

Ketten

1. (**Abb. 1**) Legen Sie den **Geschwindigkeitshebel (6)** in den ersten Gang.
2. Leeren Sie den Benzintank. Stellen Sie die Schneefräse auf dem vorderen Ende des **Räumwerkgehäuses (4)** auf.



WARNUNG: Leeren Sie den Benzintank im Freien, weit weg von Feuer bzw. Flammen.

3. (**Abb. 22**) Lösen Sie die **Bolzen (3)** auf jeder Seite der **Unterplatte (2)**.
4. Entfernen Sie die **Unterplatte (2)**.
5. (**Abb. 15**) Schmieren Sie die **Ketten (5)** mit einem Kettenschmiermittel.
6. Wischen Sie die **Sechskantachse und Kettenräder (6)** mit Motoröl der Viskosität 5W-30 ab.

HINWEIS: Wenn Fett oder Öl mit der Antriebsscheibe (1) oder dem Reibrad (3) in Kontakt kommen, können Beschädigungen auftreten. Wischen Sie sämtliches Fett oder Öl mit einem alkoholhaltigen Reinigungsmittel ab.

7. (**Abb. 22**) Montieren Sie die **Unterplatte (2)**.
8. Ziehen Sie die **Bolzen (3)** auf jeder Seite der **Unterplatte (2)** fest an.

Objekte, die nicht geschmiert werden (Abb. 15)

- Schmieren Sie die **Sechskantachse und Kettenräder (6)** nicht. Alle Lager und Gelenkbuchsen sind auf Lebensdauer geschmiert. Geben Sie zur Lagerung eine kleine Menge Motoröl der Viskosität 5W-30 auf einen Lappen und wischen Sie die **Sechskantachse und Kettenräder (6)** damit ab, um Rostbildung zu verhindern.
- Wenn Fett und Öl mit der **Antriebsscheibe (1)** oder dem **Reibrad (3)** in Kontakt kommen, kann das **Reibrad (3)** beschädigt werden. Stellen Sie sicher, dass die **Antriebsscheibe (1)** und das **Reibrad (3)** gründlich gereinigt werden.
VORSICHT: Jegliches Fetten oder Ölen der oben genannten Komponenten kann eine Verschmutzung des Reibrads (3) hervorrufen. Eine Verschmutzung der Antriebsscheibe (1) oder des Reibrads (3) mit Fett oder Öl führt zu Schäden am Reibrad.
- Der Getriebekasten des Räumwerks wird in der Fabrik geschmiert und bedarf keiner neuerlichen Schmierung. Sollte das Schmiermittel aus irgendeinem Grund auslaufen, lassen Sie den Getriebekasten des Räumwerks in einem autorisierten Kundendienstzentrum überprüfen.

Einstellung der Kufenhöhe (Abb. 1)

Diese Schneefräse ist mit zwei **verstellbaren Gleitkufen (7)** ausgestattet. Diese Kufen erhöhen den vorderen Teil der Schneefräse. Stellen Sie die Stufen für normal harte Oberflächen, z.B. geteerte Einfahrten oder Gehwege, folgendermaßen ein.

- Stellen Sie die Schneefräse auf ebener Oberfläche ab.
- Stellen Sie sicher, dass beide Reifen gleichermaßen aufgeblasen sind. Der richtige Luftdruck beträgt zwischen 1 BAR (14 PSI) und 1,25 BAR (17 PSI). Übersteigen Sie den maximalen Luftdruckwert, der an der Seite des Reifens gezeigt wird, nicht.
- Setzen Sie extra Scherbolzen (**im Teilebeutel befindlich**) unter jedes Ende der **Streichstange (15)** neben den **verstellbaren Kufen (7)**.
- Lockern Sie die **Befestigungsmuttern (16)**, die die **verstellbaren Kufen (7)** halten. Zum Senken des Vorderteils der Schneefräse erhöhen Sie alle **verstellbaren Kufen (7)**. Ziehen Sie die **Befestigungsmuttern (16)** fest an.

HINWEIS: Erhöhen Sie für steinige oder unebene Oberflächen das Vorderteil der Schneefräse, indem Sie die verstellbaren Kufen (7) nach unten bringen.



WARNUNG: Achten Sie stets auf ordentliche Bodenfreiheit im Arbeitsgebiet. Gegenstände wie Kies, Steine oder anderes Geröll, die von der Wurfeinrichtung getroffen werden, können mit großer Kraft ausgeworfen werden und dabei Personen verletzen und Eigentum bzw. die Schneefräse beschädigen.

Einstellung der Streichstange (Abb. 1)

Nach ausgiebigem Benutzen wird die **Streichstange (15)** abgenutzt. Die **Streichstange (15)** muss, zusammen mit den Kufen, so eingestellt werden, dass ein Abstand von 3 mm (1/8") zwischen **Streichstange (15)** und dem Gehweg bzw. des zu räumenden Gebiets besteht.

- Stellen Sie die Schneefräse auf ebener Oberfläche ab.
- Vergewissern Sie sich, dass beide Reifen gleichermaßen aufgeblasen sind. Der richtige Reifendruck beträgt zwischen 1 BAR (14 PSI) und 1,25 BAR (17 PSI). Übersteigen Sie den Höchstwert an Luftdruck, der an der Seite des Reifens angegeben wird, nicht.
- Lockern Sie die Schloss-Schrauben und Muttern, die die **Streichstange (15)** und das **Frässhneckengehäuse (4)** zusammenhalten.
- Stellen Sie die **Streichstange (15)** so ein, dass ein Abstand von 3 mm (1/8") zwischen der **Streichstange (15)** und dem Gehweg bzw. des zu räumenden Gebietes besteht.
- Ziehen Sie die Schloss-Schrauben und Muttern fest. Stellen Sie sicher, dass sich die **Streichstange (15)** parallel zum Gehweg bzw. zum räumenden Gebiet befindet.
- Um die Lebensdauer der **Streichstange (15)** zu verlängern, entfernen Sie die **Streichstange (15)** und montieren Sie sie ab.

Überprüfen und Einstellen der Kabel

Das Antriebskabel und das Räumwerk-kabel werden in der Fabrik eingestellt. Während des normalen Gebrauchs können die Kabel gedehnt werden und müssen dann wie folgt überprüft und eingestellt werden.

Überprüfen der Kabel (Abb. 16)

- Um auf korrekte Einstellung zu überprüfen, lösen Sie das **„Z“-Anschluss-Stück (1)** vom **Antriebshebel (2)**.
- Schieben Sie den **Antriebshebel (2)** vorwärts, bis der **Antriebshebel (2)** den **Plastikanschlag (3)** berührt.
- Das Kabel ist korrekt eingestellt, wenn die Mitte des **„Z“-Anschluss-Stückes (1)** mit dem Loch im **Antriebshebel (2)** ausgerichtet (4) ist und das Kabel nicht herabhängt.

Einstellen der Räumwerk-antriebskabel

- Den Benzintank leeren. Schneefräse auf dem vorderen Ende des Räumwerks aufstellen.




WARNUNG: Leeren Sie den Benzintank im Freien, weit weg von Feuer bzw. Flammen.

- (Abb. 16) Lösen Sie das **„Z“-Anschluss-Stück (1)** vom **Antriebshebel (2)**.
- (Abb. 17) Ziehen Sie den Federschutz hoch, um die **Feder (5)** freizulegen. Drücken Sie das **Kabel (6)** durch die **Feder (5)**, so dass Sie das **rechteckige Ende (7)** des **Kabels (6)** freilegen.
- Halten Sie das **rechteckige Ende (7)** mit einer Zange und stellen Sie die **Gegenmutter (8)** nach innen oder außen, bis kein überschüssiger Spielraum mehr vorhanden ist.

- Ziehen Sie das **Kabel (6)** zurück durch die **Feder (5)**.
- (Abb. 16) Verbinden Sie das **„Z“-Anschluss-Stück (1)** mit dem **Antriebshebel (2)**.

HINWEIS: Nachdem der Räumwerk-antriebsriemen eingestellt oder ausgetauscht wurde, prüfen Sie das Kabel, und stellen Sie es ein.

Einstellen des Fahrtantriebskabels

- Leeren Sie den Benzintank. Stellen Sie die Schneefräse auf den vorderen Teil des Räumwerkgehäuses.
-  **WARNUNG: Leeren Sie den Benzintank im Freien, weit weg von Feuer oder Flammen.**
- (Abb. 22) Lösen Sie die **Bolzen (3)** auf jeder Seite der **Unterplatte (2)**.
- Entfernen Sie die **Unterplatte (2)**.
- (Abb. 16) Lösen Sie das **„Z“-Anschlussstück (1)** vom **Antriebshebel (2)**.
- (Abb. 27) Ziehen Sie den **Kabelschuh (3)** von der **Kabeleinstellhalterung (4)** ab.
- Drücken Sie den unteren Teil des **Schlupfregelungskabels (5)** durch die **Kabeleinstellhalterung (4)**, bis der **„Z“-Haken (6)** entfernt werden kann.
- Entfernen Sie den **„Z“-Haken (6)** von der **Kabeleinstellhalterung (4)**. Bewegen Sie den **„Z“-Haken (6)** nach unten zum nächsten Einstellloch.
- Ziehen Sie das **Schlupfregelungskabel (5)** durch die **Kabeleinstellhalterung (4)** nach oben.
- Platzieren Sie den **Kabelschuh (3)** über die **Kabeleinstellhalterung (4)**.
- (Abb. 16) Bringen Sie das **„Z“-Anschlussstück (1)** an den **Antriebshebel (2)** an.
- (Abb. 15) Zur Prüfung der Einstellung lassen Sie den Hebel los und prüfen Sie die **Länge „A“** der **Antriebsfeder (7)**. Bei korrekter Einstellung ist die **Länge „A“** der **Antriebsfeder (7)** wie folgt:
Minimal 76 mm (3 Zoll)
Maximal 85 mm (3-3/8 Zoll).
- (Abb. 22) Montieren Sie die **Unterplatte (2)**.
- Ziehen Sie die **Bolzen (3)** auf jeder Seite der **Unterplatte (2)** an.

Einstellung der Riemen

Die Riemen dehnen sich bei normalem Gebrauch. Gehen Sie beim Einstellen abgenutzter oder überdehnter Riemen folgendermaßen vor.

Einstellung des Räumwerk-antriebsriemens

Überprüfen Sie die Einstellung des Räumwerk-kabels. Lesen Sie „Überprüfen und Einstellen der Kabel“ im Wartungsabschnitt. Ist die Einstellung korrekt, überprüfen Sie den Zustand des Räumwerk-antriebsriemens. Wenn der Räumwerk-antriebsriemen beschädigt ist, wechseln Sie ihn aus. Lesen Sie dazu „Auswechseln der Riemen“ im Wartungsabschnitt. Wenn ein Räumwerk-antriebsriemen Schlupf aufweist, gehen Sie folgendermaßen vor.

- Stecken Sie das Zündkabel aus.
- (Abb. 18) Entfernen Sie die **Schraube (2)** von der **Riemenabdeckung (1)**. Entfernen Sie die **Riemenabdeckung (1)**.

3. (**Abb. 19**) Lösen Sie die **Mutter (2)** auf der **Spannrolle (3)**. Schieben Sie die **Spannrolle (3)** 3 mm (1/8") vorwärts auf den **Räumwerkantriebsriemen (4)** zu.
4. Ziehen Sie die **Mutter (2)** fest.
5. (**Abb. 21**) Drücken Sie den Räumwerkhebel. Überprüfen Sie die Spannung auf dem **Räumwerkantriebsriemen (4)**. Bei korrekter Einstellung wölbt sich der **Antriebsriemen (4) 12,5 mm (1/2") (5)** unter mäßigem Druck. Ist die Einstellung nicht korrekt, führen Sie eine neue Einstellung durch.
6. (**Abb. 18**) Montieren Sie die **Riemenabdeckung (1)**. Ziehen Sie die **Schraube (2)** fest an.
7. Überprüfen Sie die Einstellung des Räumwerkabels. Lesen Sie dazu „Überprüfen und Einstellen der Kabel“ im Wartungsabschnitt.
8. Bringen Sie das Zündkabel an.

Fahrtantriebsriemen

Der Fahrtantriebsriemen hat konstanten Federdruck und braucht nicht eingestellt zu werden. Wechseln Sie den Fahrtantriebsriemen aus, wenn er Schlupf aufweist. Lesen Sie „Auswechseln der Riemen“ im Wartungsabschnitt.

Auswechseln der Riemen

Die Antriebsriemen haben einen speziellen Aufbau und müssen mit originalen Ersatzriemen aus der Fabrik ersetzt werden. Sie sind bei jedem autorisierten Kundendienstzentrum erhältlich.

Bei einigen Schritten werden Sie die Hilfe einer zweiten Person benötigen.

Entfernen des Räumwerkantriebsriemens

Wenn der Räumwerkantriebsriemen beschädigt ist, wirft die Schneefräse keinen Schnee aus. Wechseln Sie den beschädigten Riemen folgendermaßen aus.

1. Lösen Sie das **Zündkabel**.
2. (**Abb. 22**) Entfernen Sie die **Bolzen (1)** auf jeder Seite der **Unterplatte (2)**.
3. Lösen Sie die **Bolzen (3)** auf jeder Seite der **Unterplatte (2)**.
4. Entfernen Sie die **Unterplatte (2)**.
5. (**Abb. 18**) Entfernen Sie die **Schraube (2)** von der **Riemenabdeckung (1)**. Entfernen Sie die **Riemenabdeckung (1)**.
6. (**Abb. 19**) Lösen Sie die **Riemenführung (9)**. Ziehen Sie die **Riemenführung (9)** von der **Räumwerkscheibe (10)** weg.
7. Ziehen Sie die **Spannrolle (3)** vom **Räumwerkantriebsriemen (4)** weg und ziehen Sie den **Räumwerkantriebsriemen (4)** von der **Spannrolle (3)** ab.
8. Entfernen Sie den **Räumwerkantriebsriemen (4)** von der **Motorscheibe (11)**. Zum Entfernen des **Räumwerkantriebsriemens (4)** muss die **Motorscheibe (11)** unter Umständen teilweise rotiert werden.
9. (**Abb. 20**) Die oberen vier **Bolzen (21)**, die das **Räumwerkgehäuse (22)** und das **Motorgehäuse (23)** zusammenhalten, entfernen. Die beiden unteren **Bolzen (24)** lösen. Das **Räumwerkgehäuse (22)** und das **Motorgehäuse (23)** können jetzt getrennt werden, so dass der Riemen entfernt werden kann.

10. (**Abb. 19**) Den alten **Räumwerkantriebsriemen (4)** von der **Räumwerkscheibe (10)** entfernen. Den **Räumwerkantriebsriemen (4)** mit einem originalen Ersatzriemen aus der Fabrik ersetzen, die bei autorisierten Kundendienstzentren erhältlich sind.
11. Den neuen **Räumwerkantriebsriemen (4)** auf die **Räumwerkscheibe (10)** montieren.
HINWEIS: Beim Montieren des Räumwerks (22) an das Motorgehäuse (23) sollte eine zweite Person den Kupplungshebel des Räumwerks in der Position EINGEKUPPELT halten. Dadurch werden Lenkzwischenhebel und Spannrolle (3) so weit bewegt, dass sich die Räumwerkscheibe (10) wieder zurück in die Ausgangsposition bewegen kann.
12. Das **Räumwerksgehäuse (22)** am **Motorgehäuse (23)** mit den vier **Bolzen (21)** anbringen, die in Schritt 9 entfernt wurde. Die beiden unteren **Bolzen (24)** festziehen.
13. Den **Räumwerkantriebsriemen (4)** auf die **Motorscheibe (11)** montieren.
14. Den **Räumwerkantriebsriemen (4)** unter die **Spannrolle (3)** schieben.
15. Stellen Sie den **Räumwerkantriebsriemen (4)** ein. Lesen Sie dazu „Einstellung des Räumwerkantriebsriemens“ im Wartungsabschnitt.
16. Stellen Sie die **Riemenführung (9)** ein. Lesen Sie „Einstellung der Riemenführung“ im Wartungsabschnitt.
17. (**Abb. 18**) Montieren Sie die **Riemenabdeckung (1)**. Ziehen Sie die **Schraube (2)** an.
18. (**Abb. 22**) Montieren Sie die **Unterplatte (2)**.
19. Montieren Sie die **Bolzen (1)** auf jeder Seite der **Unterplatte (2)**.
20. Ziehen Sie die **Bolzen (1)** und **Bolzen (3)** auf jeder Seite der **Unterplatte (2)** fest.
21. Überprüfen Sie die Einstellung der Kabel. Lesen Sie dazu „Überprüfen und Einstellen der Kabel“ im Wartungsabschnitt.
22. Schließen Sie das Zündkabel an.

Entfernen des Fahrtantriebsriemens

Wenn sich die Schneefräse nicht vorwärts bewegt, überprüfen Sie, ob der Fahrtantriebsriemen abgenutzt oder beschädigt ist. Sollte dies der Fall sein, wechseln Sie ihn aus

1. Lösen Sie das **Zündkabel**.
2. Entfernen Sie den **Räumwerkantriebsriemen**. Lesen Sie dazu „Entfernen des Räumwerkantriebsriemens“ im Wartungsabschnitt.
3. (**Abb. 19**) Entfernen Sie den **E-Ring (17)** von einem Ende der **Schwingplattenwellenstange (18)**. Entfernen Sie die **Schwingplattenwellenstange (18)**, damit sich die Schwingplatte vorwärts drehen kann.
4. Entfernen Sie die **Antriebsfeder (16)**.

5. Entfernen Sie den alten **Fahrtantriebsriemen (13)** von der **Fahrtantriebsriemenscheibe (14)** und von der **Motorriemenscheibe (15)**. Wechseln Sie den **Fahrtantriebsriemen (13)** gegen einen originalen Ersatzriemen aus der Fabrik aus (bei jedem autorisierten Kundendienstzentrum erhältlich).
6. Montieren Sie den neuen **Fahrtantriebsriemen (13)** auf die **Fahrtantriebsriemenscheibe (14)** und auf die **Motorriemenscheibe (15)**.
7. Stellen Sie sicher, dass die **Fahrtantriebsspannrolle (12)** richtig mit dem **Fahrtantriebsriemen (13)** ausgerichtet ist.
8. Montieren Sie die **Antriebsfeder (16)**.
9. Montieren Sie die **Schwingplattenwellenstange (18)**, und befestigen Sie sie mit dem zuvor entfernten **E-Ring (17)**.
10. (**Abb. 32**) Der Boden der **Schwingplatte (20)** muss zwischen die **Ausrichtungslaschen (19)** platziert werden. Stellen Sie sicher, dass die **Schwingplatte (20)** richtig befestigt ist.
HINWEIS: Falls der Antrieb nicht funktioniert, nachdem der Fahrtantriebsriemen ausgetauscht wurde, sorgen Sie dafür, dass die Schwingplatte zwischen die Ausrichtungslaschen (19) platziert ist.
11. (**Abb. 19**) Montieren Sie den **Räumwerkantriebsriemen (4)** und stellen Sie ihn ein. Lesen Sie „Entfernen des Räumwerkantriebsriemens“ im Wartungsabschnitt.
12. Montieren Sie die **Riemenführung (9)**. Lesen Sie „Einstellung der Riemenführung“ im Wartungsabschnitt.
13. (**Abb. 22**) Montieren Sie die **Unterplatte (2)**.
14. Ziehen Sie die **Bolzen (3)** auf jeder Seite der **Unterplatte (2)** an.
15. (**Abb. 18**) Montieren Sie die **Riemenabdeckung (1)**. Ziehen Sie die **Schrauben (2)** fest an.
16. Überprüfen Sie die Einstellung der Kabel. Lesen Sie dazu „Überprüfen und Einstellen der Kabel“ im Wartungsabschnitt.
17. Schließen Sie das Zündkabel an.

Einstellung der Riemenführung

1. Lösen Sie das **Zündkabel**.
2. (**Abb. 18**) Entfernen Sie die **Schraube (2)**. Entfernen Sie die **Riemenabdeckung (1)**.
3. (**Abb. 1**) Bedienen Sie den **Räumwerkhebel (5)**.
4. (**Abb. 23**) Messen Sie den Abstand zwischen **Riemenführung (2)** und **Räumwerkantriebsriemen (3)**. Der **korrekte Abstand (4)** beträgt 3 mm (1/8 Zoll).
5. Zum Einstellen lösen Sie den Befestigungsbolzen für die **Riemenführung (2)**. Bringen Sie die **Riemenführung (2)** in die **korrekte Position (4)**. Ziehen Sie den Befestigungsbolzen für die **Riemenführung (2)** an.
6. (**Abb. 18**) Montieren Sie die **Riemenabdeckung (1)**. Ziehen Sie die **Schraube (2)** fest an.
7. Schließen Sie das Zündkabel an.

Einstellen bzw. Auswechseln des Reibrads

Überprüfen des Reibrads

Wenn sich die Schneefräse nicht vorwärts bewegt, überprüfen Sie den Fahrtantriebsriemen, das Antriebskabel oder das Reibrad. Wenn das Reibrad abgenutzt oder beschädigt ist, muss es ausgewechselt werden. Siehe „Auswechseln des Reibrads“ in diesem Abschnitt. Ist das Reibrad weder abgenutzt noch beschädigt, prüfen Sie folgendermaßen:

1. (**Abb. 1**) Leeren Sie den Benzintank. Stellen Sie die Schneefräse auf dem vorderen Ende des **Räumwerkgehäuses (4)** auf.



WARNUNG: Leeren Sie den Benzintank im Freien, weit weg von Feuer bzw. Flammen.

2. Lösen Sie das Zündkabel.
3. (**Abb. 22**) Entfernen Sie die **Bolzen (1)** auf jeder Seite der **Unterplatte (2)**.
4. Lockern sie die **Bolzen (3)** auf jeder Seite der **Unterplatte (2)**.
5. Entfernen Sie die **Unterplatte (2)**.
6. (**Abb. 1**) Stellen Sie mit dem **Geschwindigkeitshebel (6)** dschnellste ie niedrigste Vorwärtsgeschwindigkeit ein.
7. (**Abb. 24**) Beachten Sie die Position des **Reibrads (4)**. Der korrekte Abstand „A“ von der rechten Seite des **Reibrads (4)** zur Außenseite der Motorbox ist wie folgt:

Reifengröße	Abstand „A“
12 und 13 Zoll	10,5 cm (4-1/8")
16 Zoll	10,95 cm (4-5/16").

 Wenn sich das **Reibrad (4)** nicht in korrekter Position befindet, stellen Sie es wie folgt ein.

Einstellen des Reibrads

1. (**Abb. 1**) Stellen Sie mit dem **Geschwindigkeitshebel (6)** die langsamste Vorwärtsgeschwindigkeit ein.
2. (**Abb. 9**) Die **Sechskantgegenmutter (9)** auf dem **Geschwindigkeitshebel (2)** lösen. Das **Kugelgelenk (6)** von der **Schaltstange (7)** entfernen.
3. (**Abb. 24**) Schieben Sie das **Reibrad (4)** in die korrekte Position. Schieben Sie das **Reibrad (4)** in die korrekte Position. In **korrekter Position (7)** muß sich die rechte Außenseite der **Antriebsscheibe (5)** drei Zoll (7,62cm) vom Zentrum des **Reibrads (4)** befinden
4. (**Abb. 9**) Den **Adapter (10)** so lange drehen, bis das **Kugelgelenk (6)** mit dem Montierloch in der **Schaltstange (7)** ausgerichtet ist. Dann das **Kugelgelenk (6)** an der **Schaltstange (7)** befestigen.
5. (**Abb. 22**) Montieren Sie die **Unterplatte (2)**.
6. Montieren Sie die **Bolzen (1)** auf jeder Seite der **Unterplatte (2)**.
7. Ziehen Sie die **Bolzen (1)** und **Bolzen (3)** auf jeder Seite der **Unterplatte (2)** fest.

Auswechseln des Reibrads

Bei abgenutztem oder beschädigtem Reibrad bewegt sich die Schneefräse nicht vorwärts. Das Reibrad wird folgendermaßen ausgewechselt.



WARNUNG: Die Antriebsscheibe oder das Reibrad nicht schmieren.

1. (**Abb. 1**) Leeren Sie den Benzintank. Stellen Sie die Schneefräse auf dem vorderen Ende des **Räumwerkgehäuses (4)** auf.



WARNUNG: Leeren Sie den Benzintank im Freien, weit weg von Feuer bzw. Flammen.

2. Lösen Sie das Zündkabel.
3. (**Abb. 28**) Entfernen Sie die **Bolzen (1)** auf jeder Seite der **Unterplatte (2)**.
4. Lösen Sie die **Bolzen (3)** auf jeder Seite der **Unterplatte (2)**.
5. Entfernen Sie die **Unterplatte (2)**.
6. (**Abb. 29**) Entfernen Sie die **hintere Stützstrebe (18)**.
7. (**Abb. 30**) Entfernen Sie unter Verwendung eines Inbusschlüssels mit einem Durchmesser von 3/16 Zoll das Befestigungsteil, mit dem die rechte **Achsenklammer (30)** an der **Achse (34)** festgehalten wird.
8. Das **rechte Rad (35)**, **Achse (34)**, **Achsenklammer (30)** und **Unterlegscheibe (31)** entfernen.
9. (**Abb. 28**) Das **linke Rad (10)** von der **Achse (11)** entfernen.
10. (**Abb. 31**) Die Befestigungsteile entfernen, mit denen die **Achsenstütze (32)** am Motorgehäuse festgehalten wird. **Achsenstütze (32)** und **Gelenkbuchse (33)** entfernen.
11. Lösen (nicht entfernen) Sie die Bolzen, mit denen die **Achslager (19)** am Motorgehäuse festgehalten werden.
12. Entfernen Sie die **Kupplung/Kettenrad-Baugruppe (20)** von der **Achse (11)**.
13. (**Abb. 32**) Entfernen Sie die vier **Bolzen (16)**, die die **Lager (7)** auf jeder Seite der **Sechskantwelle (8)** halten.
14. (**Abb. 33**) Entfernen Sie die **Sechskantwelle (8)** und **Lager (7)**.
HINWEIS: Achten Sie besonders auf die Position der Unterlegscheiben (13).
15. (**Abb. 26**) Entfernen Sie die drei **Befestigungsteile (4)**, die das **Reibrad (5)** auf der **Nabe (6)** halten.
16. (**Abb. 26**) Entfernen Sie das **Reibrad (5)** von der **Nabe (6)**. Ziehen Sie das **Reibrad (5)** von der **Sechskantwelle (8)** ab.
17. Montieren Sie das neue **Reibrad (5)** mit den zuvor entfernten Befestigungsteilen auf die **Nabe (6)**.
18. (**Abb. 33**) Montieren Sie die **Sechskantwelle (8)** und **Lager (7)** mit den zuvor entfernten vier Bolzen.
Stellen Sie sicher, dass die Unterlegscheiben (17) an deren ursprüngliche Position montiert werden. Stellen Sie ebenfalls sicher, dass die beiden Unterlegscheiben (13) korrekt mit den Betätigungsstangen (14) ausgerichtet sind.
19. Stellen Sie sicher, dass die **Sechskantwelle (8)** sich ungehindert dreht.

20. Zum Montieren der übrigen Teile die oben aufgeführten Schritte umkehren.
21. Prüfen Sie die Einstellung des Reibrads. Siehe „Einstellen des Reibrads“ in diesem Abschnitt.
22. Stellen Sie sicher, dass das Reibrad und die Antriebsscheibe frei von Fett und Öl sind.
23. (**Abb. 28**) Montieren Sie die **Unterplatte (2)**.
24. Montieren Sie die **Bolzen (1)** auf jeder Seite der **Unterplatte (2)**.
25. Ziehen Sie die **Bolzen (1)** und **Bolzen (3)** auf jeder Seite der **Unterplatte (2)** fest.
26. Schließen Sie das Zündkabel an.

Auswechseln des Schneckenscherbolzens

Die Schnecken sind mit speziellen Scherbolzen an der Frässhneckenachse angebracht. Diese Scherbolzen sind so entworfen, dass sie brechen und das Gerät schützen, wenn ein Gegenstand im Räumwerk eingelagert wird. Verwenden Sie keinen härteren Bolzen, da sonst der vom Scherbolzen gelieferte Schutz verlorengeht.



WARNUNG: Verwenden Sie zur Sicherheit und zum Schutz des Geräts nur Originalscherbolzen.

Wechseln Sie einen gebrochenen Scherbolzen folgendermaßen aus. Extra Scherbolzen befinden sich im Teilebeutel.

1. (**Abb. 1**) Bringen Sie den **Gashebel (13)** in die Stopposition. Entkuppeln Sie alle Steuerelemente.
2. Lösen Sie das Zündkabel. Stellen Sie sicher, dass sich alle beweglichen Teile wieder im Ruhezustand befinden.
3. (**Abb. 14**) Schmieren Sie die **Schmiernippel (1)**, **sofern vorhanden**, der Frässhneckenachse mit einer Fettpresse.
4. (**Abb. 25**) Richten Sie das Loch im Räumwerk mit dem Loch in der Frässhneckenachse aus. Montieren Sie die neuen **Schneckenscherbolzen (2)**, **Abstandsstück (3)** und **Gegenmutter (4)**.
HINWEIS: Wenn das Modell ein Räumwerkgehäuse von 84 cm (33") hat, wird das Abstandsstück (3) nicht benötigt.
5. Schließen Sie das Zündkabel an.

Vorbereitung der Schneefräse auf die Lagerung



WARNUNG: Leeren Sie den Benzintank nicht, wenn Sie sich in einem Gebäude oder in der Nähe eines Feuers befinden oder beim Rauchen. Benzindämpfe können Explosionen bzw. Feuer verursachen.

1. Leeren Sie den Benzintank.
2. Lassen Sie den Motor laufen, bis das Benzin ausgeht.
3. Die Schneefräse niemals mit Kraftstoff im Tank in Innenräumen lagern, in denen Zündquellen, wie Heißwasserboiler und Raumheizkörper, Wäschetrockner u.ä. vorhanden sind. Den Motor abkühlen lassen, bevor er in einem Gehäuse gelagert wird.

4. Lassen Sie das Öl aus dem warmen Motor ab. Füllen Sie das Motorgehäuse mit neuem Öl.
5. Entfernen Sie die Zündkerze vom Zylinder. Leeren Sie 29,6 ml (eine Unze) Öl in den Zylinder. Ziehen Sie langsam den Rückstartgriff, so dass das Öl den Zylinder schützt. Montieren Sie eine neue Zündkerze im Zylinder.
6. Reinigen Sie die Schneefräse gründlich.
7. Schmieren Sie alle Schmierpunkte. Siehe Wartungsabschnitt.
8. Stellen Sie sicher, dass alle Muttern, Bolzen und Schrauben sicher und fest angezogen sind. Prüfen Sie alle sichtbaren beweglichen Teile auf Schaden, Bruch und Abnutzung. Wechseln Sie sie, wenn nötig, aus.
9. Schützen Sie alle ungestrichenen Metallteile des Räumwerkgehäuses, der Frässhnecke und Wurfleinrichtung mit einem spritzbaren Rostschutzschmiermittel.

10. Lagern Sie die Schneefräse in einem Gebäude mit guter Lüftanlage.
11. Wenn die Schneefräse draußen abgestellt werden muss, blockieren Sie sie, um sicherzugehen, dass das Gerät vollständig vom Boden abgehoben ist.
12. Decken Sie die Schneefräse mit einer geeigneten Schutzhülle ab, die keine Feuchtigkeit speichert. Verwenden Sie kein Plastik.

Bestellen von Ersatzteilen

Eine Übersicht der Ersatzteile findet sich entweder auf den letzten Seiten dieser Betriebsanleitung oder in einer gesonderten Teileliste. Verwenden Sie nur vom Hersteller genehmigte oder bestätigte Ersatzteile. Verwenden Sie keine Zubehör- oder Ersatzteile, die nicht speziell für dieses Gerät empfohlen werden. Um geeignete Ersatzteile zu erhalten, müssen Sie die Modellnummer (siehe Namensplatte) angeben.

Bitte kontaktieren Sie Ihren lokalen Händler, um Ersatzteile zu bestellen.

Ersatzteile für Motor, Hinterachse mit Kardanwelle und Getriebe können bei den autorisierten Kundendienstzentren der entsprechenden Hersteller erworben werden; diese befinden sich in den Gelben Seiten Ihres Telefonbuchs. Weitere Informationen zur Bestellung von Ersatzteilen finden sich in den einzelnen Garantieerklärungen für Motor und Getriebe.

Bei der Bestellung sind die folgenden Informationen anzugeben:

- (1) Modellnummer
- (2) Seriennummer
- (3) Teilenummer
- (4) Menge

FEHLERSUCHDIAGRAMM

PROBLEM	URSACHE	BEHEBUNG
Startschwierigkeiten	Defekte Zündkerze.	Zündkerze auswechseln.
	Wasser oder Dreck im Benzin in der Treibstoffanlage.	Mit Hilfe des Ablassers des Vergasergehäuses ausspülen und frisches Benzin nachfüllen.
Motor läuft nicht rund	Blockierte Kraftstoffleitung, leerer Benzintank oder altes Benzin.	Kraftstoffleitung reinigen; Bezinstand überprüfen; frisches Benzin zuführen.
Motor blockiert	Schneefräse läuft mit CHOKE.	Choke auf LAUFEN-Einstellung stellen.
Motor läuft nicht rund; Leistungsverlust	Wasser oder Schmutz im Benzinsystem.	Mit Hilfe des Ablassers des Vergasergehäuses ausspülen und frisches Benzin nachfüllen.
Übermäßige Vibrationen	Teile lose: beschädigte Wurfleinrichtung.	Motor sofort abstellen und Zündkabel ziehen. Alle Bolzen festziehen und alle notwendigen Reparaturen durchführen. Bestehen die Vibrationen weiterhin, Schneefräse zur Reparaturwerkstatt bringen.
Schneefräse hat keinen Selbstantrieb	Antriebsriemen lose oder beschädigt.	Antriebsriemen ersetzen.
	Fahrtantriebskabel falsch eingestellt.	Fahrtantriebskabel einstellen.
	Abgenutztes bzw. beschädigtes Reibrad.	Reibrad ersetzen.
Schneefräse wirft keinen Schnee aus	Räumwerkantriebsriemen lose oder beschädigt.	Räumwerkantriebsriemen einstellen; falls beschädigt, ersetzen.
	Räumwerkkabel nicht richtig eingestellt.	Räumwerkkabel einstellen.
	Scherbolzen gebrochen.	Scherbolzen ersetzen.
	Auswurfkamin verstopft.	Motor sofort abstellen und Zündkabel ziehen. Auswurfkamin und das Innere des Räumwerkgehäuses reinigen.
	Fremdobjekt im Räumwerk eingelagert.	Motor sofort abstellen und Zündkabel ziehen. Fremdobjekt entfernen.

INDICE

SIMBOLI DI PERICOLO E IL LORO SIGNIFICATO 46

SIMBOLI DI UTILIZZO E IL LORO SIGNIFICATO 46

MONTAGGIO 51

USO 52

TABELLA DI MANUTENZIONE 54

MANUTENZIONE 54

TABELLA PER LA SOLUZIONE DEI PROBLEMI 58

Le figure (Esempio: Figura 1) sono incluse all'interno della prima e ultima pagina di questo manuale prima dell'elenco delle parti

Informazioni generali



Questo manuale d'istruzioni è stato scritto per un individuo con abilità meccaniche. Come nella maggior parte dei manuali di manutenzione, non sono descritte tutte le operazioni. Le operazioni necessarie per allentare o serrare i dispositivi di fissaggio sono note a chiunque abbia una certa esperienza meccanica. Leggere attentamente queste istruzioni prima di usare l'unità.

Acquisire dimestichezza con il prodotto: se si conosce l'unità e come funziona, si potrà ottenere il rendimento migliore. Nel leggere questo manuale, paragonare le illustrazioni all'unità. Individuare la posizione e la funzione dei comandi. Per evitare incidenti, seguire le istruzioni per l'uso e le norme di sicurezza. Conservare questo manuale per riferimento futuro.

IMPORTANTE: molte unità non sono montate e sono vendute in scatole. Spetta al proprietario assicurarsi che le istruzioni di montaggio incluse in questo manuale siano seguite precisamente. Altre unità sono acquistate già montate. In questo caso, spetta al proprietario assicurarsi che l'unità sia montata correttamente. Il proprietario deve controllare attentamente l'unità seguendo le istruzioni di questo manuale prima di usarla per la prima volta.

Assistenza ulteriore




Se fossero necessarie informazioni aggiuntive sul montaggio, funzionamento o manutenzione della macchina spazzaneve, contattare il proprio rivenditore locale.

  Questo manuale contiene informazioni cautelari per rendere noti i pericoli e i rischi legati agli spazzaneve, e come evitarli. Lo spazzaneve è progettato e previsto per la rimozione di neve, e non deve essere usato per altri scopi. È importante leggere attentamente queste istruzioni per il proprietario e chiunque usi la macchina.

 **AVVERTENZA**

Le esalazioni provenienti da questo motore contengono prodotti chimici noti nello Stato della California causare cancro, difetti congeniti o altri pericoli al sistema riproduttivo.

Una parola di segnalazione (PERICOLO, AVVERTENZA o ATTENZIONE) accompagna il simbolo di allerta per indicare la probabilità e possibile gravità di un infortunio. In aggiunta, un simbolo di pericolo può essere usato per rappresentare il tipo di pericolo.

-  **PERICOLO** indica un rischio che, se non viene evitato, **darà luogo a morte o lesioni gravi.**
-  **AVVERTENZA** indica un rischio che, se non viene evitato, **potrebbe dare luogo a morte o lesioni gravi.**
-  **ATTENZIONE** indica un rischio che, se non viene evitato, **potrebbe dare luogo a lesioni di minore o moderata gravità.** **ATTENZIONE**, quando usato **senza** il simbolo di allerta, indica una situazione che **potrebbe dare luogo a danni all'attrezzatura.**

Comandi e caratteristiche della macchina (vedere la Figura 1)

- Leva di azionamento della trazione (1)** – Seleziona la direzione di marcia: in avanti o retromarcia.
- Gruppo ingranaggi (2)** – Cambia la direzione dello scivolo di scarico.
- Deflettore dello scivolo (3)** – Cambia la distanza a cui viene gettata la neve.
- Scivolo di scarico (4)** – Cambia la direzione in cui viene gettata la neve.
- Leva di azionamento della trivella (5)** – Avvia e blocca la trivella (raccolta e lancio della neve) che fa anche muovere lo spazzaneve.
- Leva del cambio (6)** – Seleziona la velocità dello spazzaneve.
- Pattino ad altezza regolabile (7)** – Regola l'altezza da terra dell'alloggiamento della trivella.
- Lame a deriva (18)** – (se in dotazione) Tagliano un percorso nella neve più profondo dell'alloggiamento della trivella.
- Bulloni di sicurezza (19)** – Per proteggere la macchina, gli speciali bulloni di sicurezza si rompono se un oggetto si incastra nell'alloggiamento della trivella. Se si usa un bullone più duro, la protezione altrimenti fornita dal bullone di sicurezza non esiste.
- Leva di controllo a distanza dello scivolo (20)** – Controlla la distanza a cui viene lanciata la neve.
- Interruttore delle maniglie riscaldati (21)** – Attiva le maniglie riscaldate.

Caratteristiche del motore

- Chiave di sicurezza (8)** – Deve essere inserita per accendere il motore.
- Pulsante del cicchetto (9)** – Inietta il combustibile direttamente nel carburatore per la rapida accensione in temperature basse.
- Pulsante del motorino di avviamento elettrico (10)** – Nei modelli ad avviamento elettrico, viene usato per avviare il motore.
- Cassetta dell'interruttore (11)** – Sui modelli ad avviamento elettrico, viene usata per collegare un cavo di alimentazione da 220 Volt.
- Impugnatura del motorino di avviamento (12)** – Usare per avviare manualmente il motore.
- Impugnatura del motorino di avviamento (12)** – Usare per avviare manualmente il motore.
- Interruttore di arresto (13)** – Usare per spegnere il motore.
- Comando della valvola dell'aria (14)** – Usare per avviare un motore freddo.

Simboli di pericolo e il loro significato

Questi simboli sono usati sull'attrezzatura e definiti nel manuale per l'uso. Leggere attentamente il significato di questi simboli. L'uso di uno o più di questi simboli insieme a una parola di segnalazione indica possibili rischi e come evitarli.

	Avvertimento cautelare – Identifica informazioni di sicurezza su rischi che possono dare luogo a lesioni.
	Manuale per l'uso – Leggere attentamente prima di eseguire qualsiasi attività o usare l'apparecchio.
	Trivella ruotante
	Girante ruotante
	Esalazioni tossiche
	Ingranaggi ruotanti
	Oggetti lanciati in aria
	Tenersi a una distanza di sicurezza dall'attrezzatura.
	Non inserire mai le dita in parti ruotanti.
	Spegnere il motore e staccare il connettore del filo della candela prima di eseguire operazioni di manutenzione o riparazione.
	Incendio
	Esplosione
	Scossa elettrica
	Superficie calda

Simboli di utilizzo e il loro significato

Questi simboli sono usati sull'attrezzatura e definiti nel manuale per l'uso. È importante leggere e capire il loro significato. Esiste il rischio di lesioni, se i simboli non sono interpretati correttamente.

	Olio		Avanti
	Benzina		Folle
	Attivazione Disattivazione		Indietro
	Spia cicchetto		Accensione attivata
	Valvola a farfalla		Accensione disattivata
	Starter disinserito		Chiave di accensione
	Starter inserito		Premere per innestare il motorino di avviamento elettrico
	Arresto		Avviamento elettrico
	Lento		Avviamento motore
	Veloce		Motore in funzione
	Innesto		Motore spento
	Trazione		
	Collettore trivella		
	Frizione trivella		
	Frizione trasmissione		
	Innestare		
	Disinnestare		
	Scivolo di scarico		Deflettore
	SINISTRA		GIÙ
	DESTRA		



PERICOLO

Pericolo di morte o gravi lesioni causate dalla trivella rotante. Tenere lontano mani, piedi e indumenti. La pulizia dello scivolo di scarico è un'operazione pericolosa.

- Non tentare mai di pulire la trivella da detriti o neve intasata con l'attrezzatura innestata o con il motore in funzione.
- Spegnerne il motore e staccare il filo della candela prima di eseguire operazioni di manutenzione sull'attrezzatura.
- Non lasciare mai incustodita l'attrezzatura con il motore in funzione. Disinnestare sempre i comandi della trivella e di trazione, spegnere il motore ed estrarre la chiave.
- Tenere bambini, animali domestici e altri fuori dell'area d'uso. I bambini sono spesso attratti dalle macchine. Fare attenzione a tutti i presenti.
- Tenere gli indumenti svolazzanti lontano dalla parte anteriore dello spazzaneve e dalla trivella. Sciarpe, guanti, cinture appese, indumenti e calzoni larghi possono incastrarsi facilmente nel dispositivo rotante con rischio di smembramento. Legare i capelli lunghi e togliersi i gioielli.
- Lo spazzaneve è previsto esclusivamente per la rimozione della neve. Non usarlo per scopi diversi dal previsto.
- Non spazzare la neve trasversalmente su pendenze. Fare particolare attenzione nel cambiare direzione su pendenze. Non tentare di spazzare la neve su pendenze ripide.
- Non usare lo spazzaneve su superfici elevate dal suolo come tetti di case, garage, balconi o altre simili strutture o edifici.



PERICOLO

La trivella può raccogliere oggetti che possono essere lanciati dallo scivolo.

Non lanciare mai neve verso individui o auto, e impedire a chiunque di posizionarsi davanti allo spazzaneve.

- Fare attenzione all'ambiente quando si usa l'attrezzatura. Passando su oggetti come ghiaia, stuoini, giornali, giocattoli e sassi nascosti sotto la neve, si possono lanciare tali oggetti dallo scivolo o incastrare la trivella.
- Fare sempre attenzione alla direzione in cui si lancia la neve. I pedoni, gli animali domestici o proprietà nelle vicinanze possono essere feriti o danneggiati da oggetti lanciati.
- Acquisire dimestichezza con l'area in cui s'intende lavorare. Segnare i confini di viottoli e viali per prevenire danni alla proprietà, o di lanciare oggetti.
- Fare attenzione nel lanciare neve in aree non note. Rimanere allerta per rischi nascosti e traffico.
- Dopo aver colpito un oggetto estraneo, SPEGNERE il motore, attendere che le parti in movimento si fermino e controllare immediatamente che non vi siano danni. Se vi sono danni, ripararli prima di avviare ed usare lo spazzaneve.
- Con il motore SPENTO, attendere che tutte le parti in movimento si fermino, quindi, usando un bastoncino, pulire lo scivolo.
- Se l'unità vibra anormalmente, SPEGNERE il motore. Le vibrazioni sono generalmente segno di un problema. Se necessario, consultare un rivenditore autorizzato per le riparazioni.



PERICOLO

Lo scivolo di scarico contiene la girante che gira per lanciare la neve. Non pulire mai lo scivolo di scarico con le mani, con il motore in funzione.

Le dita possono facilmente rimanere incastrate con il pericolo di amputazione o grave lacerazione.

- Lo sblocco del camino di scarico è pericoloso.
- Non collocare mai le mani su o vicino allo scivolo di scarico.
- Con il motore SPENTO, attendere che tutte le parti in movimento si fermino, quindi, usando un bastoncino, pulire lo scivolo.
- Ostruzioni di neve possono nascondere altri oggetti nello scivolo e causare danni all'attrezzatura, al rotante o alla trivella. Fare attenzione nel riavviare l'attrezzatura dopo la rimozione della neve.



AVVERTENZA

I motori esalano ossido di carbonio, un gas velenoso inodore e incolore.

L'inalazione di ossido di carbonio può causare nausea, svenimenti o decesso.

- Avviare e lasciare in funzione il motore all'aperto.
- Non avviare o lasciare in funzione il motore al chiuso, anche con porte e finestre aperte.

**AVVERTENZA**

La benzina e le sue esalazioni sono estremamente infiammabili ed esplosive.

Incendi o esplosioni possono causare ustioni gravi o decesso.

AGGIUNTA DI COMBUSTIBILE

- **SPEGNERE** il motore e lasciare che si raffreddi per almeno 2 minuti prima di togliere il tappo del serbatoio.
- Riempire il serbatoio di combustibile all'aperto o in un'area ben ventilata.
- Non riempire eccessivamente il serbatoio di combustibile.
- Tenere la benzina lontano da scintille, fiamme non protette, fiamme spia, calore ed altre fonti di accensione.
- Controllare frequentemente che le linee del combustibile, il serbatoio, il tappo e i raccordi non siano incrinati o perdano. Sostituire se necessario.

DURANTE L'ACCENSIONE DEL MOTORE

- Assicurarsi che la candela, la marmitta, il tappo del combustibile e il detergente dell'aria siano in posizione.
- Non avviare a mano il motore con la candela rimossa.
- In caso di fuoriuscita di combustibile, attendere che evaporino prima di avviare il motore.
- Se il motore s'ingolfia, spostare la valvola dell'aria in posizione APERTA/IN FUNZIONE, la valvola a farfalla su VELOCE e mettere in moto con il motorino di avviamento fino all'avviamento del motore.

DURANTE L'USO DELL'ATTREZZATURA

- Non strozzare il carburatore per spegnere il motore.

DURANTE IL TRASPORTO DELL'ATTREZZATURA


- Trasportare con il serbatoio del combustibile VUOTO.

DURANTE IL RIMESSAGGIO DELLA BENZINA O DELL'ATTREZZATURA CON COMBUSTIBILE NEL SERBATOIO

- Conservare lontano da stufe, caldaie, bruciatori o altri elettrodomestici che usino una fiamma spia o qualsiasi dispositivo che possa originare scintille per evitare il rischio d'incendiare i vapori della benzina.

REGOLE PER UN FUNZIONAMENTO SICURO



AVVERTENZA: La presente macchina è suscettibile di provocare: amputazione di mani e piedi e lancio di oggetti. Leggere queste norme di sicurezza e seguirle attentamente. La mancata osservanza di queste norme può far perdere il controllo dell'unità, può provocare gravi ferite o la morte o danneggiare cose o apparecchiature circostanti. Il triangolo  nel testo simboleggia importanti indicazioni o avvertenze che devono essere scrupolosamente seguite.

Prassi per il funzionamento sicuro delle macchine spazzaneve

IMPORTANTE: gli standard di sicurezza richiedono comandi autocontrollo utente per ridurre al minimo il rischio di lesioni. La presente spazzaneve è dotata di tali comandi. Non tentare di alterare la funzione del comando autocontrollo utente in alcuna circostanza.

Addestramento

1. Leggere, comprendere e seguire le istruzioni indicate sulla macchina e nel manuale prima della messa in funzione. Acquisire una completa familiarità con i controlli e l'uso appropriato dell'apparecchiatura. Conoscere come arrestare l'unità e disinnestare i controlli rapidamente.
2. Non permettere mai ai bambini di mettere in funzione l'apparecchiatura. Non permettere mai alle persone adulte di mettere in funzione la macchina senza l'opportuno addestramento.
3. Tenere l'area di lavoro libera da persone e, in particolare, da bambini e animali.
4. Prestare molta attenzione a non scivolare o a non cadere specie quando si lavora a marcia indietro.

Preparazione

1. Ispezionare attentamente l'area in cui è necessario utilizzare l'attrezzatura e rimuovere tappetini, carrelli, assi cavi e qualsiasi altro corpo estraneo.
2. Disinnestare tutte le frizioni e posizionare in folle precedentemente l'avvio del motore.
3. Non mettere in funzione la macchina senza indossare indumenti invernali adatti. Indossare scarpe che permettono di camminare più facilmente sulle superfici scivolose. Evitare di slacciare indumenti sciolti che possono essere agganciati dalle parti in movimento.
4. Maneggiare il carburante con precauzione; è altamente infiammabile.
 - a. Utilizzare un contenitore per carburante certificato.
 - b. Non aggiungere mai carburante ad un motore caldo oppure in funzione.
 - c. Procedere, con estrema attenzione, al riempimento del serbatoio di carburante in un luogo aperto. Non riempire mai il serbatoio di carburante in un locale interno. Rimettere saldamente il tappo del carburante ed eliminare il carburante versato.
 - d. Non riempire mai i contenitori all'interno di un veicolo o di una cabina di un camion o di un autoarticolato mediante tubo in plastica. Collocare sempre i contenitori sul terreno, lontano dal veicolo, prima di riempirli.
 - e. Durante le esercitazioni, rimuovere l'attrezzatura azionata a gas dal camion o dall'autoarticolato e procedere al riempimento appoggiandosi al suolo. Se questo non è possibile, rifornirla sul rimorchio con un contenitore portatile piuttosto che con una pistola distributrice di benzina.
 - f. Mantenere sempre l'ugello a contatto con il bordo delle aperture del serbatoio o contenitore di carburante, fino a che il rifornimento non ha termine. Non utilizzare un dispositivo aperto/chiuso a pistola.
 - g. Sostituire il tappo del serbatoio e asciugare il carburante fuoriuscito.
 - h. Qualora sugli indumenti indossati siano presenti tracce di carburante, procedere alla sostituzione immediata.

5. Relativamente a tutte le unità che presentano motori ad azionamento elettrico o ad avviamento elettrico, utilizzare prolunghe e innesti come da specifica del produttore.
6. Regolare l'altezza dell'alloggiamento del collettore per eliminare il dislivello causato da superfici ghiaiose o rocciose.
7. Non tentare di effettuare mai alcuna regolazione mentre il motore è in funzione (eccetto nel caso in cui sia espressamente consigliato dal produttore).
8. Permettere che il motore e la macchina spazzaneve si adattino alle temperature esterne, prima di procedere all'utilizzo.
9. Indossare sempre gli occhiali di sicurezza o protezioni per occhi durante l'utilizzo della macchina o durante le operazioni di regolazione o riparazione, al fine di proteggere la vista da eventuali corpi estranei che potrebbero essere lanciati dalla macchina.
10. Non utilizzare mai la macchina spazzaneve senza le appropriate protezioni, piastre o altri dispositivi di sicurezza funzionanti.

Conduzione

1. Non mettere le mani o i piedi vicino o sotto le parti rotanti. Tenersi sempre lontani dall'apertura di scarico.
2. Prestare particolare attenzione durante le operazioni su o attraversamenti di strade private, sentieri o strade. Fare attenzione ai rischi nascosti o al traffico.
3. Nel caso in cui si oltrepassi un corpo estraneo, arrestare il motore, rimuovere il cavo dalla candela di accensione, scollegare il cavo dai motori elettrici, ispezionare eventuali danni alla macchina e procedere alla riparazione degli stessi prima di riavvio e dell'utilizzo della stessa.
4. Se l'unità dovesse avviarsi con vibrazioni anomale, arrestare il motore e cercare immediatamente la causa. La vibrazione è generalmente un avvertimento per eventuali danni.
5. Arrestare il motore e qualora sia necessario abbandonare la posizione di operazione, prima di sbloccare il vano collettore/ventola o scarico a gravità e nel caso in cui sia necessario effettuare una qualsiasi riparazione, regolazione o ispezione.
6. Durante le operazioni di pulizia, riparazione o ispezione verificare che il collettore/ventola e tutte le parti in movimento risultino immobili. Scollegare il filo dalle candele e tenerlo lontano dallo spinotto della candela per prevenire avviamenti accidentali.
7. Non accendere il motore in ambienti chiusi, ad eccezione del caso in cui sia necessario trasportare l'unità all'interno o all'esterno dell'edificio. Aprire le aperture esterne; i fumi di scarico risultano estremamente pericolosi (contengono MONOSSIDO DI CARBONIO, un GAS MORTALE INODORE).
8. Usare estrema attenzione quando si lavora su un terreno in pendenza. Non tentare di pulire terreni eccessivamente ripidi.
9. Non utilizzare mai la macchina spazzaneve senza le appropriate protezioni, piastre o altri dispositivi di sicurezza funzionanti.
10. Non direzionare mai lo scarico in prossimità di persone o aree nelle quali potrebbe provocare danno alla proprietà. Tenere lontani i bambini e le persone.
11. Non sovraccaricare la macchina tentando di pulire la neve ad una velocità eccessiva.
12. Non far funzionare la macchina a velocità di trasferimento elevata su superfici sdrucciolevoli. Guardarsi intorno e prestare attenzione quando si va in retromarcia.

13. Staccare l'alimentazione al collettore/rotore quando lo spazzaneve viene trasportato o non è utilizzato.
 14. Utilizzare solo accessori ed utensili approvati dal produttore della stessa (come cabine, catene per pneumatici, ecc.).
 15. Non mettere in funzione lo spazzaneve senza un buona visibilità o luce sufficiente. Avanzare in modo sicuro e mantenere bloccate le maniglie. Camminare, mai correre.
 16. Non toccare mai il motore caldo o la marmitta.
 17. Non utilizzare mai l'unità spazzaneve in prossimità di vetrate, automobili, finestre, fessure o simili senza la corretta regolazione dell'angolo di scarico neve.
 18. Non dirigere mai lo scarico verso le persone circostanti e non permettere mai ad alcuno di sostare di fronte all'unità.
 19. Non lasciare mai incustodita l'unità in funzione. Disattivare sempre i comandi della trivella e della trazione, arrestare il motore e rimuovere le chiavi.
 20. Non mettere in funzione la macchina se si è sotto l'effetto dell'alcol o delle droghe.
 21. Tenere sempre presente che l'operatore è responsabile dei danni provocati a persone e cose.
 22. Le statistiche dimostrano che gli utenti, di 60 anni e oltre, riportano in un'ampia percentuale, lesioni provocate dall'alimentazione della macchina. Questi operatori dovrebbero valutare la loro capacità di condurre in sicurezza l'unità per proteggere se stessi e gli altri da eventuali lesioni.
 23. NON indossare scarpe lunghe o indumenti larghi, suscettibili di rimanere intrappolati nelle parti in movimento.
 24. La neve può celare diversi ostacoli. Verificare di aver rimosso tutti gli ostacoli dall'area da trattare.
2. La macchina non deve presentare carburante all'interno del serbatoio, qualora venga stoccata all'interno di un edificio in cui siano presenti fonti di accensione, come riscaldatori ad acqua calda o stufe o essiccatori di indumenti. Lasciar raffreddare il motore prima di ricoverare lo spazzaneve in luogo chiuso.
 3. Fare sempre riferimento al Manuale dell'utente riportante informazioni dettagliate, qualora la macchina debba essere stoccata per un periodo di tempo prolungato.
 4. Mantenere o sostituire, se necessario, le etichette delle istruzioni e di sicurezza.
 5. Far funzionare la macchina per alcuni minuti dopo che è stata espulsa la neve per impedire il congelamento del collettore/rotore.
 6. Qualora si fosse verificata la fuoriuscita di carburante, non tentare di avviare il motore ma spostare la macchina lontano dall'area interessata ed evitare la creazione di una qualsiasi fonte di accensione, fino alla totale dissipazione dei vapori del carburante.
 7. Prestare sempre particolare attenzione alle regole per il riempimento sicuro ed una corretta manipolazione del carburante durante le operazioni di rifornimento dopo il trasporto o lo stoccaggio.
 8. Attenersi sempre alle istruzioni riportate nel Manuale di funzionamento della macchina relative alle modalità di preparazione per lo stoccaggio, sia per periodi brevi che prolungati.
 9. Attenersi sempre alle istruzioni riportate nel manuale per le procedure di avvio corretto -nel momento in cui la macchina viene riconsegnata a seguito di assistenza.
 10. Tenere ben stretti dadi e bulloni e conservare l'apparecchiatura in buone condizioni.
 11. Non escludere i dispositivi di sicurezza. Controllare regolarmente il loro corretto funzionamento ed eseguire, se il funzionamento non è corretto, le riparazioni necessarie.
 12. I componenti sono soggetti ad usura, guasti e deterioramento. Ispezionare i componenti frequentemente e sostituire con ricambi consigliati dal produttore, se necessario.
 13. Verificare frequentemente il funzionamento dei controlli. Fare gli aggiustamenti e la manutenzione come richiesto.
 14. Quando si effettuano le riparazioni utilizzare solo parti di sostituzione autorizzate dalla fabbrica.
 15. Conformarsi sempre alle specifiche della fabbrica per tutti i settaggi e aggiustamenti.
 16. Per le necessità di assistenza e riparazione più importanti si deve ricorrere ai servizi assistenza autorizzati.
 17. Non tentare mai di eseguire le riparazioni più importanti a meno che non si sia adeguatamente addestrati. Le procedure di assistenza eseguite non correttamente sono suscettibili di provocare operazioni rischiose, danno all'attrezzatura e sono esenti da garanzia del produttore.

Bambini

Possono verificarsi incidenti tragici qualora l'operatore non presti particolare attenzione alla presenza di bambini. I bambini sono spesso attratti dall'attività dello spazzaneve. Non dare mai per scontato che i bambini rimangano fermi nell'identica posizione dove sono stati visti l'ultima volta.

1. Tenere bambini fuori dall'area dove si lavora e affidarli all'attenta sorveglianza di un adulto responsabile.
2. Prestare attenzione e spegnere immediatamente la macchina qualora gli stessi entrino nell'area di lavoro.
3. Non permettere mai ai bambini di far funzionare l'unità.
4. Prestare estrema attenzione quando ci si avvicina ad angoli nascosti, arbusti, alberi o ad altri oggetti che possono impedire la visuale.

Pulizia di uno scarico a gravità ostruito

Il contatto delle mani col rotore in rotazione all'interno del camino di scarico è la causa più frequente di ferite associate agli spazzaneve. Non utilizzare mai le mani per ripulire il camino di scarico.

Per ripulire il camino:

1. ARRESTARE IL MOTORE.
2. Attendere 10 secondi per assicurarsi che la rotazione delle lame del rotore si siano fermate.
3. Usare sempre un attrezzo adatto alla pulizia, non le mani.

Manutenzione, assistenza e conservazione

1. Ispezionare i perni di sicurezza e gli altri bulloni ad intervalli regolari, verificando la corretta tenuta, al fine di conservare l'attrezzatura in ottime condizioni per un futuro utilizzo in sicurezza.

Emissioni

1. Lo scarico emesso dal motore della presente macchina contiene sostanze chimiche note, che in determinate quantità, possono essere suscettibili di provocare cancro, malformazioni alla nascita e altri problemi connessi all'apparato riproduttivo.
2. Se presente, verificare il periodo di durata delle emissioni e l'indice di emissioni in aria, riportati sull'etichetta delle emissioni del motore.

Sistema di iniezione

1. Il sistema di accensione a candela è conforme a Canadian ICES-002.

MONTAGGIO

Leggere e seguire le istruzioni per il montaggio e la regolazione dello spazzaneve. Tutti i dispositivi di fissaggio sono inclusi nel sacchetto della parti. Non gettare parti o materiale fino a montaggio ultimato.



AVVERTENZA: prima di effettuare il montaggio o la manutenzione, rimuovere il filo della candela.

NOTA: in questo manuale di istruzioni, sinistra e destra si riferiscono alla posizione di una parte dal punto di vista dell'operatore dietro l'unità.

NOTA: la torsione viene misurata in piedi/libbre (N.m nel sistema metrico). Questa misura descrive di quanto deve essere stretto un dado o un bullone. La torsione viene misurata con una chiave torsionometrica.

NOTA: i dispositivi di fissaggio e le parti sciolte sono raffigurate a grandezza naturale nella Figura 2 a pagina 175.

NOTA: le illustrazioni sono incluse a pagina 2 e alle pagine 176 – 181.

Attrezzi necessari

- 1 Coltello
- 1 Pinze
- 2 Chiavi a forchetta da 1/2"
- 2 Chiavi a forchetta da 9/16"
- 2 Chiavi a forchetta da 3/4"
- 1 Metro o riga
- 1 Cacciavite

Estrazione dello spazzaneve dalla scatola

1. (Figura 3) Spazzaneve nella posizione di spedizione.
2. Tagliare i quattro lati del cartone ed abbassare a terra i lati paralleli oppure utilizzare lo strappo per rimuovere la scatola dalla base.
3. Tagliare e gettare i lacci di plastica che fissano il gruppo della manovella.
4. Individuare tutte le parti imballate separatamente e rimuoverle dalla scatola.
5. Rimuovere il materiale di imballaggio attorno allo spazzaneve e gettarlo.
6. (Figura 1) Per il trasporto, i pattini ad altezza regolabile (7) sono fissati al pallet. Rimuovere le viti (17) che fissa ciascun pattino ad altezza regolabile (7) al pallet.
7. Tenendo l'impugnatura inferiore estrarre lo spazzaneve dalla paletta.
ATTENZIONE: NON schiacciare i cavi.
8. Rimuovere il materiale di imballaggio dal gruppo dell'impugnatura.
9. Tagliare i lacci che fissano i cavi di controllo della frizione (1) all'impugnatura inferiore (2). Spostare i cavi dal telaio del motore.

Montaggio del gruppo impugnatura

1. (Figura 4) Allentare, senza rimuovere, i dispositivi di fissaggio (1) nei fori in alto dell'impugnatura inferiore (3).
2. Rimuovere i dispositivi di fissaggio dai fori in basso dell'impugnatura inferiore (3).

3. (Figura 1) Spostare la leva del cambio (6) in prima avanti.
4. (Figura 4) Sollevare l'impugnatura superiore (2) in posizione di servizio.
NOTA: controllare che i cavi non siano impigliati fra l'impugnatura superiore e quella inferiore.
5. Installare i dispositivi di fissaggio rimossi nel punto 2. NON serrare fino a quando i dispositivi di fissaggio non sono tutti installati.
6. Serrare tutti i dispositivi di fissaggio.

Installazione dell'asta di controllo della velocità

1. (Figura 9) Fissare il giunto a sfera (6), posto sul fondo dell'asta di controllo della velocità (2), al gruppo della forcella del cambio (7). I dispositivi di fissaggio (8) sono montati nel giunto a sfera (6) in fabbrica.
La lunghezza del giunto a sfera (6) e dell'asta di controllo della velocità (2) sono stati regolati in fabbrica. Se si rende necessaria una modifica, allentare il dado (9). Rimuovere i dispositivi di fissaggio (8) per scollegare il giunto a sfera (6) dal gruppo della forcella del cambio (7). Per allungare o raccorcicare l'asta di controllo della velocità (2), ruotare l'adattatore (10) fino ad ottenere la lunghezza desiderata.
2. (Figura 12) Fissare l'impugnatura (11) sulla leva di selezione della velocità (5). In alcuni modelli l'impugnatura (11) è già montata. Per bloccare in posizione, serrare il controdado esagonale (10) contro il fondo dell'impugnatura (11).
3. Assicurarsi che la leva di selezione della velocità (5) funzioni come previsto. Mettere la leva di controllo della velocità (5) in tutte le posizioni.

Installazione delle manopole

NOTA: se le manopole sono già installate, passare alla sezione seguente.

Manopola di controllo a distanza dello scivolo (Figura 12)

1. Montare la manopola di controllo a distanza dello scivolo (1) sulla leva (3) fino a quando non sia ben stretto contro il dado (2). In alcuni modelli la manopola di controllo a distanza dello scivolo (1) è già montata.
2. Assicurarsi che il bordo (4) sulla manopola di controllo a distanza dello scivolo (1) punti verso il motore.
3. Serrare il dado (2) contro il fondo della manopola di controllo a distanza dello scivolo (1).

Montaggio del deflettore dello scivolo

1. (Figura 6) Rimuovere il bullone a legno (1).
2. Sollevare il deflettore dello scivolo (2) in posizione di esercizio (3).
3. Fissare il deflettore dello scivolo (2) alla flangia (4) con i bulloni a legno (1). Assicurarsi che la testa dei bulloni a legno (1) si trovi all'interno della flangia (2).
4. Fissare con rondelle (5) e dadi di bloccaggio (6).
5. Stringere bene i dadi di bloccaggio (6).

NOTA: verificare che tutti i bulloni a legno nella flangia siano ben stretti, ma NON STRINGERE ECCESSIVAMENTE.

Controllare i cavi

1. (Figura 8) Controllare il cavo di azionamento della trazione (1) e il cavo di azionamento della trivella (2). Se il capo inferiore dei cavi è scollegato, reinstallare le cavi.
2. (Figura 10) Se la parte superiore dei cavi (5) si è staccata dalle leve di azionamento (6), collegare i cavi (5) al raccordo "Z" (7).

Regolazione dell'altezza dei pattini (Figura 1)

Lo spazzaneve è munito di pattini dall'altezza regolabile (7) montati esternamente sull'alloggiamento della trivella (4). Per regolare l'altezza dei pattini, vedere "Regolazione dell'altezza dei pattini" nella sezione sulla Manutenzione.

Come regolare la lunghezza dei cavi

I cavi sono stati regolati in fabbrica e non dovrebbe essere necessario regolarli nuovamente. Tuttavia, dopo aver collocato in posizione di servizio le impugnature, i cavi possono risultare troppo o non sufficientemente tesi. In caso si renda necessario regolarli, vedere "Controllo e regolazione dei cavi" nella sezione sulle riparazioni e regolazione.

Montaggio della lama a deriva (se in dotazione)

Le lame a deriva sono usate per tagliare un percorso nella neve più profondo dell'alloggiamento della trivella.

1. (Figura 11) LAllentare i dadi ad alette (2) che fissano le lame a deriva (1) all'alloggiamento della trivella.
2. Sollevare le lame a deriva (1) al livello desiderato.
3. Serrare i dadi ad alette (2).

Preparazione del motore

NOTA: il motore è stato inviato dalla fabbrica pieno di olio. Controllare il livello dell'olio. Aggiungere olio se necessario.



AVVERTENZA: seguire le istruzioni del produttore del motore per il tipo di benzina e di olio da usare. Usare sempre un contenitore di combustibile di sicurezza. Non fumare mentre si aggiunge benzina al motore. Se al chiuso, non riempire con benzina. Prima di aggiungere benzina, spegnere il motore e lasciare che si raffreddi per diversi minuti.

Vedere le istruzioni del produttore per il tipo di combustibile e olio da usare. Prima di usare l'unità, leggere le informazioni sulla sicurezza, l'uso, la manutenzione e il rimessaggio.

Importante! Prima dell'uso

- Controllare che tutti i dispositivi di fissaggio siano ben stretti.
- I modelli ad avviamento elettrico sono spediti con il cavo del motorino di avviamento elettrico inserito nel motore. Prima dell'uso, scollegare il cavo del motorino di avviamento dal motore.

USO

NOTA: le illustrazioni sono incluse a pagina 2 e alle pagine 176 – 181.

ATTENZIONE: usare solamente le parti e gli accessori approvati dal produttore dello spazzaneve (come catene di pneumatici, kit di avviamento elettrico, ecc.).

Acquisire dimestichezza con lo spazzaneve (Figura 1)

Prima di usare lo spazzaneve, leggere questo manuale di istruzioni e le regole di sicurezza. Mettere a raffronto l'illustrazione e lo spazzaneve per acquisire dimestichezza con la posizione dei diversi comandi e delle regolazioni.

Controllo dello scarico della neve



AVVERTENZA: non dirigere mai lo scarico della neve verso passanti.



AVVERTENZA: spegnere sempre il motore prima di liberare lo scivolo di scarico o l'alloggiamento della trivella e prima di allontanarsi dallo spazzaneve.

1. (Figura 5) Spostare l'interruttore elettrico dello scivolo (2) per impostare la direzione (sinistra o destra) di lancio della neve.
2. Tirare la leva del controllo a distanza dello scivolo (17) indietro per gettare la neve in alto e lontano. Spingere la leva del controllo a distanza dello scivolo (2) fin avanti per gettare la neve in basso.

Interruzione delle operazioni dello spazzaneve (Figura 1)

1. Per interrompere lo scarico di neve, rilasciare la leva di azionamento della trivella (5).
2. Per fermare le ruote, rilasciare la leva di azionamento della trazione (1).
3. Per spegnere il motore sui modelli con il comando della valvola a farfalla (13), mettere il comando della valvola a farfalla (13) in posizione LENTA e quindi in posizione SPENTO.
4. Per spegnere il motore sui modelli con l'interruttore di accensione (13), mettere l'interruttore di accensione (13) nella posizione SPENTO.
5. Estrarre la chiave di sicurezza (8).

ATTENZIONE: per spegnere il motore, non spostare il comando della valvola a farfalla in posizione CHIUSA per evitare ritorni di fiamma o danni al motore.

Spostamenti in avanti e indietro (Figura 1)

1. Per cambiare la velocità sul terreno, rilasciare la leva di azionamento della trazione (1) e spostare sulla marcia desiderata la leva del cambio (6).
2. La velocità sul terreno è determinata dalle condizioni della neve. Selezionare la velocità spostando la leva del cambio (6) nella fessura appropriata della piastra della leva.

Marcia 1, 2	Bagnata, pesante
Marcia 3	Leggera
Marcia 4	Molto leggera
Marcia 5, 6	Solamente per il trasporto

3. Per andare in avanti, innestare la leva di azionamento della trazione (1). Mantenere ben salde le impugnature mentre lo spazzaneve inizia a spostarsi in avanti. Guidare lo spazzaneve spostando l'impugnatura a sinistra o a destra. Non tentare di spingere lo spazzaneve.
4. Per la retromarcia, rilasciare la leva di azionamento della trazione (1).
5. Spostare la leva del cambio (6) in prima o seconda retromarcia.
6. Innestare la leva di azionamento della trazione (1).

IMPORTANTE: non spostare la leva del cambio (6) con la leva di azionamento della trazione (1) innestata.

Lancio di neve (Figura 1)

1. Innestare la leva di azionamento della trivella (5).
2. Per interrompere il lancio di neve, rilasciare la leva di azionamento della trivella (5).



AVVERTENZA: l'uso di attrezzature che lanciano oggetti può far sì che detti oggetti colpiscano la regione oculare, con gravi lesioni agli occhi. Indossare sempre occhiali di sicurezza o protezione oculare quando si usa uno spazzaneve. Raccomandiamo occhiali di sicurezza standard o una maschera di sicurezza a grande campo visivo sopra gli occhiali da vista.

Uso delle maniglie riscaldate (Figura 5)



AVVERTENZA: le maniglie riscaldate sono previste per l'uso quando la temperatura scende sotto gli 0 gradi. Non attivare le maniglie elettriche se la temperatura è superiore agli 0 gradi.

Quando la temperatura scende sotto zero, usare le maniglie riscaldate per mantenere calde le mani. Porre l'interruttore delle maniglie riscaldate (20) nella posizione di ACCENSIONE. Le maniglie si riscalderanno in pochi minuti. Dato che le maniglie riscaldate possono diventare molto calde, si raccomanda l'uso di guanti. Se si nota che le maniglie sono troppo calde, spegnerle.

Prima di accendere il motore

1. Prima di compiere qualsiasi operazione di manutenzione o accendere il motore, acquisire dimestichezza con lo spazzaneve. Apprendere la funzione e posizione di tutti i comandi.
2. Controllare la tensione del cavo della frizione prima di accendere il motore. Vedere "Regolazione del cavo della frizione" nella sezione sulla Manutenzione di questo manuale.
3. Assicurarsi che tutti dispositivi di fissaggio siano ben stretti.
4. Assicurarsi che i pattini ad altezza regolabile siano regolati correttamente. Vedere "Regolazione dell'altezza dei pattini" nella sezione sulla manutenzione di questo manuale.
5. Controllare la pressione dell'aria nei pneumatici. La pressione corretta è 1 BAR (14 PSI) – 1,25 BAR (17 PSI). Non superare la pressione massima indicata sul lato del pneumatico.

Spegnimento del motore (Figura 1)

1. Per spegnere il motore sui modelli con il comando della valvola a farfalla (13), mettere il comando della valvola a farfalla (13) in posizione LENTA e quindi in posizione SPENTO.
2. Per spegnere il motore sui modelli con l'interruttore di accensione (13), mettere l'interruttore di accensione (13) nella posizione SPENTO.
3. Estrarre la chiave di sicurezza (8). Conservare la chiave (8) al sicuro. Il motore non può accendersi senza la chiave (8).

ATTENZIONE: per spegnere il motore, non spostare il comando della valvola a farfalla in posizione CHIUSA per evitare ritorni di fiamma o danni al motore.

Accensione del motore (Figura 1)

Modelli dotati di motorino di avviamento elettrico

NOTA: è possibile aggiungere un kit di avviamento elettrico ai motori ad avviamento manuale. I kit di avviamento elettrico sono disponibili presso il centro di assistenza autorizzato di zona.



AVVERTENZA il motorino di avviamento elettrico è munito di un cavo di alimentazione a tre fili ed è previsto per corrente residenziale da 220 volt C.A. Il cavo di alimentazione deve essere sempre messo a terra correttamente per evitare la possibilità di scosse elettriche con conseguenti infortuni. Seguire attentamente tutte le istruzioni nella sezione sull'avviamento del motore. Assicurarsi che l'impianto elettrico di casa sia a tre fili con messa a terra. In caso di dubbi, consultare un elettricista qualificato. Se il sistema di casa non è a tre fili con messa a terra, non usare il motorino di avviamento elettrico. Se il sistema di casa è dotato di messa a terra ma non dispone di una presa a tre poli, farla installare da un elettricista qualificato. Per collegare il cavo di alimentazione a 220 volt C.A., collegare sempre prima il cavo di alimentazione alla scatola dell'interruttore (11) sul motore. Quindi, inserire l'altro capo nella presa a tre poli con messa a terra. Per scollegare il cavo di alimentazione, staccare sempre prima il cavo dalla presa con messa a terra.

Avviamento a freddo del motore (Figura 1)

1. Controllare l'olio del motore.
2. Riempire il serbatoio di benzina regolare senza piombo. Consultare "Preparazione del motore".
3. Assicurarsi che la leva di azionamento della trazione (1) e la leva di azionamento della trivella (5) siano in posizione disinnestata (rilasciata).
4. Per avviare il motore sui modelli con il comando della valvola a farfalla (13), collocare il comando della valvola a farfalla (13) in posizione VELOCE. Usare il motore con il comando della valvola a farfalla (13) in posizione VELOCE.

5. Per avviare il motore sui modelli con un **interruttore di accensione (13)**, spostare l'**interruttore di accensione (13)** in posizione di ACCENSIONE.
6. Inserire a fondo la **chiave di sicurezza (8)** nell'interruttore di accensione. Assicurarsi che la **chiave (8)** scatti in sede. **Non girare la chiave (8)**.
7. Mettere il **comando della valvola dell'aria (14)** in posizione completamente chiusa.
8. (**Avviamento elettrico**) Collegare il cavo di alimentazione alla **scatola dell'interruttore (11)** sul motore.
9. (**Avviamento elettrico**) Inserire l'altro capo del cavo di alimentazione in una presa a tre poli, con messa a terra, da 220 VOLT, C.A. (Vedere l'AVVERTENZA in questa sezione).
10. Schiacciare il **pulsante del cicchetto (9)** e attendere due secondi. Le istruzioni del produttore del motore, indicano quante volte occorre schiacciare il **pulsante del cicchetto (9)**.
11. (**Avviamento elettrico**) Premere il **pulsante di avviamento elettrico (10)** fino ad avviare il motore. Non premere per più di 5 secondi alla volta. Attendere un minuto fra avviamenti per consentire al motorino di avviamento di raffreddarsi.
12. (**Avviamento manuale**) Tirare lentamente l'**impugnatura di avviamento manuale (12)** fino ad avvertire una certa resistenza e quindi tirare rapidamente per avviare il motore. Non lasciare che l'**impugnatura di avviamento manuale (12)** si riavvolga. Riportare lentamente l'**impugnatura di avviamento manuale (12)** nella posizione di partenza.
13. Se il motore non si avvia, riprovare 5 o 6 volte. Consultare le istruzioni nella "Tabella per la soluzione dei problemi".
14. Lasciare che il motore si riscaldi per diversi minuti. Mentre il motore si riscalda, regolare la **manopola della valvola a farfalla (14)** in posizione di ACCENSIONE. Attendere che il motore giri uniformemente prima di ciascuna regolazione della valvola a farfalla.
15. (**Avviamento elettrico**) Scollegare il cavo di alimentazione dalla presa a tre poli. Quindi, scollegarlo dalla **scatola dell'interruttore (11)**.
NOTA: in temperature sotto -18°C (0°F), attendere che il motore si riscaldi prima di spazzare la neve.
16. Durante il funzionamento, il **comando della valvola a farfalla (13)** (se in dotazione) deve essere in posizione veloce.



AVVERTENZA: non lasciare mai acceso il motore al chiuso o in zone protette con scarsa ventilazione. I vapori di scarico del motore contengono ossido di carbonio, un gas inodore letale. Tenere mani, piedi, capelli e indumenti lontano da parti in movimento sul motore o sullo spazzaneve. La temperatura della marmitta e delle zone vicine può superare 66°C (150°F). Stare lontano da queste zone.

Avviamento di un motore caldo (Figura 1)

Se un motore era in funzione ed è ancora caldo, lasciare il **comando della valvola dell'aria (14)** in posizione disattivata e non schiacciare il **pulsante del cicchetto (9)**. Se il motore non si avvia, seguire le istruzioni nella sezione "Avviamento di un motore a freddo".

NOTA: non usare il pulsante del cicchetto (9) per avviare un motore caldo.

Accensione di un motore con un motorino di avviamento elettrico gelato (Figura 1)

Se il motorino di avviamento elettrico è gelato e non avvia il motore, seguire le istruzioni qui di seguito.

1. Estrarre il più possibile la corda del motorino di avviamento dal motorino di avviamento.
2. Lasciare andare l'impugnatura del motorino di avviamento e lasciare che si riavvolga contro il motorino di avviamento. Ripetere fino a quando il motore non si avvia.

I motori caldi causano condensa in climi freddi. Per evitare che il motorino di avviamento e i comandi del motore si gelino, procedere nel seguente modo dopo ciascun lavoro di rimozione della neve.

1. Tenere acceso lo spazzaneve per pochi minuti dopo l'uso per prevenire il congelamento della trivella/girante.
2. Con il motore spento, lasciare che il motore si raffreddi per diversi minuti.
3. Tirare molto lentamente la corda del motorino di avviamento fino ad avvertire resistenza, quindi fermarsi. Lasciare che la corda del motorino di avviamento si riavvolga. Ripetere tre volte.
4. Con il motore fermo, pulire tutta la neve e l'umidità dal coperchio del carburatore nell'area dei comandi e delle leve. Inoltre, muovere il comando della valvola a farfalla e l'impugnatura del motorino di avviamento diverse volte.

Rimozione della neve o di detriti dall'alloggiamento della trivella



AVVERTENZA: non tentare di rimuovere neve o detriti incastrati nell'alloggiamento della trivella con le mani. Usare il bastone di pulizia o una leva per rimuovere neve o detriti.

(Figura 7) In alcuni modelli, un'asta per la pulizia è fissata alla parte superiore dell'alloggiamento della trivella. Usare l'asta per la pulizia per rimuovere la neve dall'alloggiamento della trivella.

1. Lasciare andare la **leva di azionamento della trivella (5)**.
2. Spegnerne il motore.
3. Estrarre (non girare) la **chiave di sicurezza (8)**.
4. Staccare il filo della candela.
5. Non introdurre le mani nell'**alloggiamento della trivella (4)** o nello **scivolo di scarico (3)** il bastone di pulizia o
6. (Figura 7) Usare il **bastone di pulizia (1)** o un palanchino per rimuovere neve o detriti.

Suggerimenti per spazzare la neve

1. Per una massima efficienza nella rimozione della neve dello spazzaneve, regolare la velocità di terra. Andare lentamente in neve profonda, gelata o bagnata. Se le ruote scivolano, ridurre la velocità in avanti.
2. Il modo più efficiente di rimuovere la neve è non appena cade.

ATTENZIONE: non sovraccaricare la capacità della macchina tentando di eliminare la neve troppo rapidamente.

3. Per rimuovere la neve completamente, ripetere in parte i percorsi.
4. Se possibile, scaricare la neve sottovento.
5. Per l'uso normale, regolare i pattini in modo che la barra di raschiatura si trovi a circa 3 mm sopra i pattini. Per superfici con neve compatta molto dura, regolare i patini verso l'alto in modo che la barra di raschiatura tocchi il terreno.
6. Non raccogliere e gettare con la macchina sassi e ghiaia. Su ghiaia o superfici sassose, regolare i pattini su 32 mm sotto la barra di raschiatura. Vedere "regolazione dell'altezza dei pattini" nella sezione sulla manutenzione.
7. Dopo l'uso, lasciare il motore in pausa per alcuni minuti. Neve e ghiaccio accumulati si sciogliono sul motore.
8. Pulire lo spazzaneve dopo l'uso.
9. Rimuovere ghiaccio, neve e detriti dallo spazzaneve. Lavare con acqua per rimuovere sale o altri prodotti chimici. Asciugare lo spazzaneve.

TABELLA DI MANUTENZIONE

RESPONSABILITÀ DEL CLIENTE

RECORD DI SERVIZIO Scrivere la data dell'operazione di manutenzione.	Prima dell'uso	Le prime 2 ore	Ogni 5 ore	Ogni 10 ore	Ogni 25 ore	Ogni stagione	Prima del rimessaggio	DATE DI SERVIZIO
Controllo dell'olio	√		√			√		
Cambio dell'olio					√	√		
Controllo e regolazione di viti e dadi	√					√		
Controllo della candela					√	√		
Regolazione della cinghia di trasmissione		√			√	√		
Controllo del combustibile	√							
Drenaggio del combustibile							√	
Controllo della regolazione del cavo dell'innesto della trivella (Vedi Regolazione dei cavi)		√				√		
Controllo della regolazione del cavo dell'innesto della trazione (Vedi Regolazione dei cavi)		√				√		
Lubrificazione di tutti i punti di perno				√			√	
Lubrificazione dell'albero della trivella (Vedere Sostituzione dei bulloni di sicurezza)				√			√	
Lubrificazione di catene e denti				√			√	

MANUTENZIONE

NOTA: le illustrazioni sono incluse a pagina 2 e alle pagine 176 – 181.

Usare la seguente sezione sulla manutenzione per mantenere in buone condizioni l'unità. Tutte le informazioni sulla manutenzione per il motore sono incluse nelle istruzioni del produttore del motore. Prima di avviare il motore, leggere questo manuale.



AVVERTENZA: prima di eseguir ni, regolazioni (tranne del carburatore), o riparazioni, staccare il filo della candela.

Raccomandazioni di carattere generale

La garanzia di questo spazzaneve non copre parti maltrattate o trascurate dall'operatore. Per ricevere il valore totale in garanzia, l'operatore deve mantenere lo spazzaneve come indicato in questo manuale.

Occorre completare periodicamente alcune regolazioni per mantenere in buone condizioni di funzionamento lo spazzaneve.

Dopo l'uso

- Controllare che non vi siano parti staccate o danneggiate.
- Serrare dispositivi di fissaggio allentati.
- Controllare ed eseguire la manutenzione della trivella.
- Controllare che i comandi funzionino come previsto.

- Sostituire immediatamente parti usurate o danneggiate.
- Controllare tutti gli adesivi e le etichette di sicurezza e di istruzioni. Sostituire adesivi o etichette che mancano o che non sono chiaramente leggibili.

Tutte le regolazioni incluse nella sezione sulla Manutenzione di questo manuale devono essere controllate come minimo al cambio di stagione.

Agli intervalli necessari

La seguente regolazione deve essere completata più di una volta per stagione.

1. Regolare la cinghia di azionamento della trivella dopo le prime 2–4 ore, a metà stagione, e in seguito due volte per stagione. Vedere "Regolazione della cinghia di azionamento della trivella" nella sezione sulla Manutenzione.

Lubrificazione

Ogni 10 ore (Figura 14)

1. Lubrificare i **raccordi Zerk (1)** ogni dieci ore con una pistola per ingrassaggio.
2. Ad ogni sostituzione di un bullone di sicurezza, occorre ingrassare l'albero della trivella.
3. Lubrificare tutti i punti di perno.

Ogni 25 ore

Catene

1. **(Figura 1)** Mettere la **leva del cambio (6)** in prima.
2. Drenare la benzina dal serbatoio. Alzare lo spazzaneve e appoggiarlo sul lato anteriore dell'**alloggiamento della trivella (4)**.



AVVERTENZA: drenare la benzina all'aperto, lontano da fuoco o fiamme.

3. **(Figura 22)** Allentare i **bulloni (3)** su ciascun lato del **pannello inferiore (2)**.
4. Rimuovere il pannello inferiore (2).
5. **(Figura 15)** Lubrificare le **catene (5)** con un lubrificante apposito.
6. Pulire l'**asta esagonale e le ruote dentate (6)** con olio per motore 5W30.
NOTA: se grasso o olio entra in contatto con la piastra di azionamento del disco (1) o la ruota della frizione (3), si possono verificare danni. Pulire eventuali tracce d'olio con un solvente a base di alcool.
7. **(Figura 22)** Installare il **pannello inferiore (2)**.
8. Serrare i **bulloni (3)** sui lati del **pannello inferiore (2)**.

Parti che non devono essere lubrificate (Figura 15)

- Non lubrificare l'**albero esagonale e i denti (6)**. Tutti i cuscinetti e le boccole sono lubrificate a vita. Per il rimessaggio, versare una piccola quantità di olio 5W-30 su un panno e strofinare l'**albero esagonale e i denti (6)** per prevenire ruggine.
- Se il grasso o l'olio entra in contatto con la **piastra di azionamento del disco (1)** o la **ruota di frizione (3)**, la **ruota di frizione (3)** può essere danneggiata. Pulire bene la **piastra di azionamento del disco (1)** e la **ruota di frizione (3)**.
ATTENZIONE: l'ingrassaggio dei componenti descritti qui sopra può causare contaminazione della ruota di frizione (3). Se la piastra di azionamento del disco (1) o la ruota di frizione (3) sono contaminate con olio o grasso, la ruota di frizione viene danneggiata.
- La cassa degli ingranaggi della trivella è lubrificata in fabbrica e non deve essere ulteriormente lubrificata. Se il lubrificante fuoriesce, fare controllare la cassa degli ingranaggi della trivella presso un centro di assistenza autorizzato.

Regolazione dell'altezza dei pattini (Figura 1)

Questo spazzaneve è munito di due **pattini ad altezza regolabile (7)**. Questi pattini alzano la parte anteriore dello spazzaneve. Per superfici dure normali, come un viale di ingresso asfaltato, regolare i pattini nel modo seguente.

- Collocare lo spazzaneve su una superficie piana.
- Controllare che entrambi i pneumatici siano gonfi alla stessa pressione. La pressione deve essere 1 BAR (14 PSI) – 1,25 BAR (17 PSI). Non superare la pressione massima indicata sul lato del pneumatico.
- Collocare i bulloni di sicurezza in più (**inclusi nel sacchetto delle parti**) sotto ciascuna estremità della **barra raschiatrice (15)** vicino ai **pattini ad altezza regolabile (7)**.
- Allentare i **dadi di montaggio (16)** che fissano i **pattini ad altezza regolabile (7)**. Per abbassare la parte anteriore dello spazzaneve, sollevare ciascun **pattino ad altezza regolabile (7)**. Serrare i **dadi di montaggio (16)**.

NOTA: per superfici sassose o accidentate, sollevare la parte anteriore dello spazzaneve spostando in giù i pattini ad altezza regolabile (7).



AVVERTENZA: mantenere sempre un'adeguata distanza da terra per l'area da pulire. Oggetti come ghiaia, sassi o altri detriti, quando colpiti dal girante, possono essere gettati con forza sufficiente da causare infortuni, danni a proprietà o allo spazzaneve.

Regolazione della barra raschiatrice (Figura 1)

Dopo un uso considerevole, la **barra raschiatrice (15)** diventa usurata. La **barra raschiatrice (15)**, insieme ai pattini, deve essere regolata in modo da lasciare una distanza di circa 3 mm fra la stessa e il marciapiede o l'area da pulire.

- Collocare lo spazzaneve su una superficie piana.

- Controllare che entrambi i pneumatici siano gonfi alla stessa pressione. La pressione deve essere 1 BAR (14 PSI) – 1,25 BAR (17 PSI). Non superare la pressione massima indicata sul lato del pneumatico.
- Allentare i bulloni a legno e i dadi che fissano la **barra raschiatrice (15)** all'**alloggiamento della trivella (4)**.
- Regolare la **barra raschiatrice (15)** in modo da lasciare circa 3 mm fra la stessa e il marciapiede o l'area da pulire.
- Serrare i bulloni a legno e i dadi. Controllare che la **barra raschiatrice (15)** sia parallela al marciapiede o all'area da pulire.
- Per prolungare la vita della **barra raschiatrice (15)**, rimuovere e invertire il montaggio della **barra raschiatrice (15)**.

Controllo e regolazione dei cavi

Il cavo di azionamento della trazione e il cavo di azionamento della trivella sono regolati in fabbrica. Durante l'uso normale, un cavo può stirarsi e deve essere controllato e regolato nel seguente modo.

Controllo dei cavi (Figura 16)

- Per controllare la tensione dei cavi, scollegare il **raccordo "Z" (1)** dalla **leva di azionamento (2)**.
- Spostare in avanti la **leva di azionamento (2)** fino a quando non tocca il **paraurti in plastica (3)**.
- La tensione del cavo è corretta se il centro del **raccordo "Z" (1)** è **allineato (4)** con il foro nella **leva di azionamento (2)** senza che il cavo si abbassi.

Regolazione de cavo di azionamento della trivella

- Drenare la benzina dal serbatoio. Mettere lo spazzaneve sul lato anteriore dell'alloggiamento della trivella.



AVVERTENZA: drenare la benzina all'aperto, lontano da fuoco o fiamme.

- (Figura 16) Scollegare il **raccordo "Z" (1)** dalla **leva di azionamento (2)**.
- (Figura 17) Tirare il coperchio della molla in su in modo da esporre la **molla (5)**. Tirare il **cavo (6)** attraverso la **molla (5)** in modo da esporre l'**estremità quadra (7)** sul **cavo (6)**.
- Tenere con pinze l'**estremità quadra (7)** e regolare il **controdado (8)** in dentro o in fuori fino a quando il cavo non sia ben teso.
- Tirare il **cavo (6)** attraverso la **molla (5)**.
- (Figura 16) Collegare il **raccordo "Z" (1)** alla **leva di azionamento (2)**.

NOTA: quando si regola o sostituisce la cinghia di azionamento della trivella, occorre controllare e regolare il cavo.

Regolazione del cavo di azionamento della trazione

- Estrarre la benzina dal serbatoio. Porre in posizione verticale lo spazzaneve sul lato anteriore dell'alloggiamento della trivella.



AVVERTENZA: drenare la benzina dal serbatoio, lontano da fuoco o fiamme

- (Figura 22) Allentare i **bulloni (3)** su ciascun lato del **pannello inferiore (2)**.

- Rimuovere il **pannello inferiore (2)**.
- (Figura 16) Staccare il **raccordo a "Z" (1)** dalla **leva di azionamento della trazione (2)**.
- (Figura 27) Fare scorrere la **guaina del cavo (3)** fuori dalla **staffa di regolazione del cavo (4)**.
- Premere il pulsante del **cavo di controllo della trazione (5)** attraverso la **staffa di regolazione del cavo (4)** fino a poter rimuovere il **gancio a "Z" (6)**.
- Rimuovere il **gancio a "Z" (6)** dalla **staffa di regolazione del cavo (4)**. Spostare in giù il **gancio a "Z" (6)** nel foro di regolazione successivo.
- Tirare in su il **cavo di controllo della trazione (5)** attraverso la **staffa di regolazione del cavo (4)**.
- Tirare la **guaina del cavo (3)** sulla **staffa di regolazione del cavo (4)**.
- (Figura 16) Installare il **raccordo a "Z" (1)** nella **leva di azionamento della trazione (2)**.
- (Figura 15) Per controllare la regolazione, premere la leva del cambio e controllare la **lunghezza "A" della molla di azionamento (7)**. Se la regolazione è corretta, la **lunghezza "A" della molla di azionamento (7)** è la seguente:
minimo 76 mm (3 pollici)
massimo 85 mm (3-3/8 pollici).
- (Figura 22) Installare il **pannello posteriore (2)**.
- Serrare i **bulloni (3)** su ciascun lato del **pannello inferiore (2)**.

Regolazione delle cinghie

Le cinghie si stirano durante l'uso normale. Per regolare le cinghie, a causa di usura o stiramenti, procedere nel seguente modo.

Regolazione della cinghia di azionamento della trivella

Se lo spazzaneve non scarica neve, controllare il cavo di azionamento della trivella. Vedere "Controllo e regolazione dei cavi" nella sezione sulla manutenzione. Se la regolazione è corretta, controllare le condizioni della cinghia di azionamento della trivella. Se è danneggiata, sostituirla. Vedere "Sostituzione delle cinghie" nella sezione sulla Manutenzione. Se la cinghia di azionamento della trivella è allentata, regolarla nel seguente modo.

- Staccare il filo della candela.
- (Figura 18) Rimuovere la **vite (2)** dal **coperchio della cinghia (1)**. Rimuovere il **coperchio della cinghia (1)**.
- (Figura 19) Allentare il **dado (2)** sulla **puleggia tendicinghia (3)** Spostare la **puleggia tendicinghia (3)** di circa 3 mm verso la **cinghia di azionamento della trivella (4)**.
- Serrare il **dado (2)**.
- (Figura 21) Premere la leva di azionamento della trivella. Controllare la tensione sulla **cinghia di azionamento della trivella (4)**. Se la regolazione è corretta, la **cinghia di azionamento della trivella (4)** si piega di circa 12,5 mm (5) sotto una pressione moderata. Se la regolazione non è corretta, ripeterla.
- (Figura 18) Installare il coperchio della **cinghia (1)**. Serrare la **vite (2)**.

- Controllare la regolazione del cavo di azionamento della trivella. Vedere "Controllo e regolazione dei cavi" nella sezione sulla manutenzione.
- Collegare il filo della candela.

Cinghia di azionamento della trazione

La cinghia di azionamento della trazione è sotto costante pressione da parte della molla e non deve essere regolata. Se la cinghia di azionamento della trazione slitta, sostituirla. Vedere "Sostituzione delle cinghie" nella sezione sulla Manutenzione.

Sostituzione delle cinghie

Le cinghie di azionamento sono costruite in modo speciale e devono essere sostituite con parti di ricambio originali della fabbrica disponibili presso il centro di assistenza di zona. Alcune operazioni richiedono due persone.

Rimozione della cinghia di azionamento della trivella

Se la cinghia di azionamento della trivella è danneggiata, lo spazzaneve non scarica la neve. Sostituire la cinghia danneggiata nel seguente modo.

- Staccare il filo della candela.
- (Figura 22) Rimuovere i bulloni (1) su entrambi i lati del pannello inferiore (2).
- Allentare i bulloni (3) su ciascun lato del pannello inferiore (2).
- Rimuovere il pannello inferiore (2).
- (Figura 18) Rimuovere la vite (2) dal coperchio della cinghia (1). Rimuovere il coperchio della cinghia (1).
- (Figura 19) Allentare la guida della cinghia (9). Tirare la guida della cinghia (9) allontanandola dalla puleggia conduttrice della trivella (10).
- Tirare la puleggia tendicinghia (3) allontanandola dalla cinghia di azionamento della trivella (4) e far scivolare la cinghia di azionamento della trivella (4) fuori della puleggia tendicinghia (3).
- Rimuovere la cinghia di azionamento della trivella (4) dalla puleggia del motore (11). Per rimuovere la cinghia di azionamento della trivella (4), può essere necessario ruotare parzialmente la puleggia del motore (11).
- (Figura 20) Rimuovere i quattro bulloni (21) in alto che fissano insieme l'alloggiamento della trivella (22) e la scatola del motore (23). Allentare i due bulloni (24) in basso. A questo punto l'alloggiamento della trivella (22) e la scatola del motore (23) possono essere divisi per rimuovere la cinghia.
- (Figura 19) Rimuovere la vecchia cinghia di azionamento della trivella (4) dalla puleggia di azionamento della trivella (10). Sostituire la cinghia di azionamento della trivella (4) con una cinghia di ricambio originale della fabbrica disponibile presso un centro di assistenza autorizzato.

- Installare la nuova cinghia di azionamento della trivella (4) sulla puleggia di azionamento della trivella (10).
NOTA: per montare l'alloggiamento della trivella (22) sulla scatola del motore (23), chiedere a un assistente di mantenere la leva di trasmissione della trivella nella posizione INNESTATA, per spostare il braccio e la puleggia tendicinghia (3) quel tanto che basta per consentire alla puleggia di azionamento della trivella (10) di ritornare in posizione.
- Montare l'alloggiamento della trivella (22) sulla scatola del motore (23) con i quattro bulloni (21) rimossi nel punto 9. Serrare i due bulloni (24) in basso.
- Installare la cinghia di azionamento della trivella (4) sulla puleggia del motore (11).
- Far scivolare la cinghia di azionamento della trivella (4) sotto la puleggia tendicinghia (3).
- Regolare la cinghia di azionamento della trivella (4). Vedere "Regolazione della cinghia di azionamento della trivella" nella sezione sulla Manutenzione.
- Regolare la guida della cinghia (9). Vedere "Regolazione della guida della cinghia" nella sezione sulla Manutenzione.
- (Figura 18) Installare il coperchio della cinghia (1). Serrare la vite (2).
- (Figura 22) Installare il pannello inferiore (2).
- Installare i bulloni (1) su ciascun lato del pannello inferiore (2).
- Serrare i bulloni (1) e i bulloni (3) su entrambi i lati del pannello inferiore (2).
- Controllare la regolazione dei cavi. Vedere "Controllo e regolazione dei cavi" nella sezione sulla Manutenzione.
- Collegare il filo della candela.

Rimozione della cinghia di azionamento della trazione

Se lo spazzaneve non si sposta in avanti, controllare che la cinghia di azionamento della trazione non sia usurata o danneggiata, nel qual caso sostituirla nel modo seguente.

- Staccare il filo della candela.
- Rimuovere la cinghia di azionamento della trivella. Vedere "Rimozione della cinghia di azionamento della trivella" nella sezione sulla Manutenzione.
- (Figura 19) Rimuovere l'e-ring (17) da un'estremità dell'asta dell'asse della piastra snodata (18). Rimuovere l'asta dell'asse della piastra snodata (18) in modo da consentire all'asta snodata di ruotare in avanti.
- Rimuovere la molla di azionamento della trazione (16).
- Rimuovere la vecchia cinghia di azionamento della trazione (13) dalla puleggia conduttrice della trazione (14) e dalla puleggia del motore (15). Sostituire la cinghia di azionamento della trazione (13) con una cinghia di ricambio originale della fabbrica disponibile presso un servizio di assistenza autorizzato.
- Installare la nuova cinghia di azionamento della trazione (13) sulla puleggia conduttrice della trazione (14) e sulla puleggia del motore (15).

- Assicurarsi che la puleggia tendicinghia di azionamento della trazione (12) sia allineata correttamente con la cinghia di azionamento della trazione (13).
- Collegare la molla di azionamento della trazione (16).
- Installare l'asta dell'asse della piastra snodata (18) e fissarla con l'e-ring (17) rimosso in precedenza.
- (Figura 32) Il fondo della piastra snodata (20) deve essere posizionato fra le alette di allineamento (19). Assicurarsi che la piastra snodata (20) sia ben fissata.
NOTA: se la marcia non si innesta una volta sostituita la cinghia di azionamento della trazione, controllare che la piastra snodata sia posizionata fra le alette di allineamento (19).
- (Figura 19) Installare e regolare la cinghia di azionamento della trivella (4). Vedere "Rimozione della cinghia di azionamento della trivella" nella sezione sulla Manutenzione.
- Regolare la guida della cinghia (9). Vedere "Regolazione della guida della cinghia" nella sezione sulla Manutenzione.
- (Figura 22) Installare il pannello inferiore (2).
- Serrare i bulloni (3) su ciascun lato del pannello inferiore (2).
- (Figura 18) Installare il coperchio della cinghia (1). Serrare la vite (2).
- Controllare la tensione dei cavi. Vedere "Controllo e regolazione dei cavi" nella sezione sulla Manutenzione.
- Collegare il filo della candela.

Regolazione della guida della cinghia

- Staccare il filo della candela.
- (Figura 18) Rimuovere la vite (2). Rimuovere il coperchio della cinghia (1).
- (Figura 1) Innestare la leva di azionamento della trivella (5).
- (Figura 23) Misurare la distanza fra la guida della cinghia (2) e la cinghia di azionamento della trivella (3). La distanza corretta (4) è 3 mm.
- Se è necessario regolare la guida, allentare il bullone di montaggio per la guida della cinghia (2). Spostare la guida della cinghia (2) nella posizione corretta (4). Serrare il bullone di montaggio per la guida della cinghia (2).
- (Figura 18) Installare il coperchio della cinghia (1). Serrare la vite (2).
- Collegare il filo della candela.

Regolazione o sostituzione della ruota di frizione

Controllo della ruota di frizione

Se lo spazzaneve non si sposta in avanti, controllare la cinghia di azionamento della trazione, il cavo di azionamento della trazione e la ruota di frizione. Se la ruota di frizione è usurata o danneggiata, occorre sostituirla. Vedere "Sostituzione della ruota di frizione" in questa sezione. Se la ruota di frizione non è usurata o danneggiata, controllare nel modo seguente.

- (Figura 1) Drenare la benzina dal serbatoio. Alzare lo spazzaneve e appoggiarlo sul lato anteriore dell'alloggiamento della trivella (4).



AVVERTENZA: drenare la benzina all'aperto, lontano da fuoco o fiamme.

2. Staccare il filo della candela.
3. **(Figura 22)** Rimuovere i **bulloni (1)** su entrambi i lati del **pannello inferiore (2)**.
4. Allentare i **bulloni (3)** ai lati del **pannello inferiore (2)**.
5. Rimuovere il **pannello inferiore (2)**.
6. **(Figura 1)** Mettere la **leva del cambio (6)** in marcia in avanti più bassa.
7. **(Figura 24)** Prendere nota della posizione della **ruota di frizione (4)**. La corretta distanza "A" dal lato destro della **ruota di frizione (4)** alla parte esterna della scatola del motore è la seguente:

Dimensioni

pneumatico	Distanza "A"
12 e 13 pollici	10,5 cm (4-1/8")
16 pollici	10,95 cm (4-5/16")

Se la ruota di frizione (4) non è in posizione corretta, regolarla nel seguente modo.

Regolazione della ruota di frizione

1. **(Figura 1)** Posizionare la **leva del cambio (6)** nella marcia in avanti più bassa.
2. **(Figura 9)** Allentare il **controdado esagonale (9)** sull'**asta di controllo della velocità (2)**. Rimuovere il **giunto a sfera (6)** dalla **leva del cambio (7)**.
3. **(Figura 24)** Spostare la **ruota di frizione (4)** nella posizione corretta.
4. **(Figura 9)** Girare l'**adattatore (10)** fino a quando il **giunto a sfera (6)** non sia allineato con il foro di montaggio nella **leva del cambio (7)**. Una volta allineato, fissare il **giunto a sfera (6)** alla **leva del cambio (7)**.
5. **(Figura 22)** Installare il **pannello inferiore (2)**.
6. Installare i **bulloni (1)** su ciascun lato del **pannello inferiore (2)**.
7. Serrare i **bulloni (1)** e i **bulloni (3)** su entrambi i lati del **pannello inferiore (2)**.

Sostituzione della ruota di frizione

Se la ruota di frizione è usurata o danneggiata, lo spazzaneve non può spostarsi in avanti. La ruota di frizione deve essere sostituita nel modo seguente.



AVVERTENZA: non lubrificare la piastra della trasmissione a disco o la ruota di frizione.

1. **(Figura 1)** Drenare la benzina dal serbatoio. Alzare lo spazzaneve e appoggiarlo sul lato anteriore dell'**alloggiamento della trivella (4)**.



AVVERTENZA: drenare la benzina all'aperto, lontano da fuoco o fiamme.

2. Staccare il filo della candela.
3. **(Figura 28)** Rimuovere i **bulloni (1)** su entrambi i lati del **pannello inferiore (2)**.
4. Allentare i **bulloni (3)** su ciascun lato del **pannello inferiore (2)**.
5. Rimuovere il **pannello inferiore (2)**.
6. **(Figura 29)** Rimuovere la **staffa di supporto posteriore (18)**.
7. **(Figura 30)** Usare una chiave allen da 3/16" per rimuovere i dispositivi di fissaggio che fissano la **pinza dell'asse destra (30)** all'**asse (34)**.

8. Rimuovere la **ruota destra (35)**, l'**asse (34)**, la **pinza dell'asse (30)**, e la **rondella (31)**.
9. **(Figura 28)** Rimuovere la **ruota sinistra (10)** dall'**asse (11)**.
10. **(Figura 31)** Rimuovere i dispositivi di fissaggio che fissano il **supporto dell'asse (32)** alla **scatola del motore**. Rimuovere il **supporto dell'asse (32)** e la **boccola (33)**.
11. Allentare (non rimuovere) i bulloni che fissano i **cuscinetti dell'asse (19)** alla **scatola del motore**.
12. Rimuovere il gruppo **frizione/ruota dentata di azionamento (20)** dall'**asse (11)**.
13. **(Figura 32)** Rimuovere i quattro **bulloni (16)** che fissano i **cuscinetti (7)** su ciascun lato dell'**albero esagonale (8)**.
14. **(Figura 33)** Rimuovere l'**albero esagonale (8)** e i **cuscinetti (7)**.
NOTA: prendere nota della posizione delle rondelle (13).
15. **(Figura 26)** Rimuovere i tre **dispositivi di fissaggio (4)** che fissano la **ruota di frizione (5)** al **mozzo (6)**.
16. **(Figura 26)** Rimuovere la **ruota di frizione (5)** dal **mozzo (6)**. Far scorrere la **ruota di frizione (5)** fuori dell'**albero esagonale (8)**.
17. Montare la nuova **ruota di frizione (5)** sul **mozzo (6)** con i dispositivi di fissaggio rimossi in precedenza.
18. **(Figura 33)** Installare l'**albero esagonale (8)** e i **cuscinetti (7)** con i quattro bulloni rimossi in precedenza.
Assicurarsi che le rondelle (17) siano installate correttamente nella posizione originale. Verificare, inoltre, che le due rondelle (13) siano allineate correttamente con le braccia dell'azionatore (14).
19. Assicurarsi che l'**albero esagonale (8)** giri liberamente.
20. Per installare le parti rimanenti, ripetere al contrario i punti qui sopra.
21. Controllare la regolazione della ruota di frizione. Vedere "Regolazione della ruota di frizione" in questa sezione.
22. Assicurarsi che la ruota di frizione e la piastra di azionamento del disco non siano sporche di grasso o olio.
23. **(Figura 28)** Installare il **pannello inferiore (2)**.
24. Installare i **bulloni (1)** su ciascun lato del **pannello inferiore (2)**.
25. Serrare i **bulloni (1)** e i **bulloni (3)** su entrambi i lati del **pannello inferiore (2)**.
26. Collegare il filo della candela.

Sostituzione dei bulloni di sicurezza della trivella

Le trivelle sono fissate all'albero mediante bulloni di sicurezza speciali, che si rompono per proteggere la macchina quando un oggetto si incastra nell'alloggiamento della trivella. Non usare un bullone più duro per non compromettere la protezione fornita dal bullone di sicurezza.



AVVERTENZA: per motivi di sicurezza e per proteggere la macchina, usare solamente bulloni di sicurezza di ricambio originali.

Per sostituire un bullone di sicurezza rotto, procedere nel seguente modo. Il sacchetto delle parti contiene bulloni di sicurezza di ricambio.

1. **(Figura 1)** Mettere il **comando della valvola a farfalla (13)** in posizione di arresto. Disinnestare tutti i comandi.
2. Staccare il filo della candela. Verificare che tutte le parti in movimento si siano fermate.
3. **(Figura 14)** Lubrificare il **raccordo Zerk (1)**, se installato, dell'albero della trivella con una pistola per ingrassaggio.
4. **(Figura 25)** Allineare il foro nella trivella con il foro nell'albero della trivella. Installare il **bullone (2)**, il **distanziatore (3)** e il **controdado (4)** della nuova cesoia
NOTA: se il modello ha un alloggiamento della trivella da 84 cm, non è necessario il distanziatore (3).
5. Collegare il filo della candela.

Preparazione dello spazzaneve per il rimessaggio



AVVERTENZA: non drenare benzina al chiuso, vicino a fuoco o mentre si fuma. I vapori della benzina possono causare un'esplosione o un incendio.

Se si intende conservare lo spazzaneve per lunghi periodi, consultare il manuale per l'uso del produttore del motore (in dotazione con alcuni modelli) per importanti dettagli sulla manutenzione o il rimessaggio.

1. Drenare il serbatoio di benzina.
2. Lasciare il motore acceso fino a completo esaurimento della.
3. Non conservare mai lo spazzaneve con benzina nel serbatoio in un edificio in cui siano presenti possibili fonti di accensione, come scaldacqua e stufe, asciugatrici ecc. Lasciare raffreddare il motore prima di conservare al chiuso.
4. Drenare l'olio dal motore ancora caldo. Riempire la coppa del motore con nuovo olio.
5. Rimuovere la candela dal cilindro. Versare 29,6 ml di olio nel cilindro. Tirare lentamente l'impugnatura di avviamento manuale in modo che l'olio protegga il cilindro. Installare una nuova candela nel cilindro.
6. Pulire bene lo spazzaneve.
7. Lubrificare tutti i punti di lubrificazione. Vedere la sezione sulla Manutenzione.
8. Assicurarsi che tutti i dadi, i bulloni e le viti siano serrati bene. Controllare che le parti mobili non siano danneggiate, rotte o usurate. Sostituirle se necessario.
9. Coprire le parti metalliche dell'alloggiamento dello spazzaneve, la trivella e il girante con lubrificante antiruggine a spruzzo.
10. Collocare l'unità in un edificio dotato di buona ventilazione.
11. Se la macchina deve essere conservata all'aperto, bloccare lo spazzaneve in su per assicurarsi che l'intera macchina sia sollevata da terra.
12. Coprire lo spazzaneve con una copertura protettiva idonea che non ritenga umidità. Non usare plastica.

Ordinazione di parti di ricambio

Le parti di ricambio sono mostrate nelle pagine in fondo a questo manuale di istruzioni o in un listino di parti separato.

Utilizzare solo pezzi di ricambio autorizzati o approvati dal produttore. Non utilizzare utensili o accessori che non siano consigliati per questa unità. Per ordinare pezzi di ricambio corretti, precisare sempre il numero di modello (fare riferimento alla targhetta).

Per acquistare pezzi di ricambio, contattare il proprio rivenditore locale. Parti di ricambio per il motore, l'assale, o la trasmissione, sono disponibili presso il centro di assistenza autorizzato del produttore elencato nella pagine gialle della rubrica telefonica. Inoltre, vedere le garanzie individuali del motore o della trasmissione per ordinare parti di ricambio. Per l'ordinazione sono necessarie le seguenti informazioni:

- (1) Numero di modellor
- (2) Numero di serie
- (3) Numero di catalogo
- (4) Quantità

TABELLA PER LA SOLUZIONE DEI PROBLEMI

PROBLEMA	CAUSA	RIMEDIO
Partenza difficile	Candela difettosa.	Sostituire la candela.
	Acqua o sporco nel sistema del combustibile.	Usare il drenaggio della coppa del carburatore per lavare e riempire con benzina fresca.
Il motore gira in modo imprevedibile	Linea del combustibile bloccata, serbatoio di benzina vuoto, o benzina vecchia.	Pulire la linea di combustibile; controllare la benzina; aggiungere benzina fresca.
Il motore si arresta	L'unità è in funzionamento in CHOKE.	Mettere la leva della valvola dell'aria su RUN.
Il motore gira in modo imprevedibile; Perdita di potenza	Acqua o sporco nel sistema del combustibile.	Usare il drenaggio della coppa del carburatore per lavare e riempire con benzina fresca.
Vibrazioni eccessive	Parti allentate: girante danneggiato.	Spegnere immediatamente il motore e staccare il filo della candela. Serrare tutti i bulloni e completare le riparazioni necessarie. Se le vibrazioni continuano, fare riparare l'unità da un tecnico competente.
L'unità non si muove da sola	Cinghia di trasmissione allentata o danneggiata.	Sostituire la cinghia di trasmissione.
	Regolazione incorretta del cavo di azionamento della trazione.	Regolare il cavo di azionamento della trazione.
	Ruota di frizione usurata o danneggiata.	Sostituire la ruota di frizione.
L'unità non scarica neve	Cinghia di azionamento della trivella allentata o danneggiata.	Regolare la cinghia di azionamento della trivella; sostituirla se danneggiata.
	Cavo di comando della trivella non regolato correttamente.	Regolare il cavo di comando della trivella.
	Bullone di sicurezza rotto.	Sostituire il bullone di sicurezza.
	Scivolo di scarico ostruito.	Spegnere immediatamente il motore e staccare il filo della candela. Pulire lo scivolo di scarico e l'interno dell'alloggiamento della trivella.
	Oggetto incastrato nella trivella.	Spegnere immediatamente il motore e staccare il filo della candela. Rimuovere l'oggetto dalla trivella.

INNHold

FARESYMBOLER OG DERES BETYDNING	60
BRUKSSYMBOLER OG DERES BETYDNING	60
MONTERING	65
BRUK	65
VEDLIKEHOLDSTABELL	68
VEDLIKEHOLD	68
FEILSØKINGSTABELL	72

Figurene (eksempel: figur 1) er plassert på innsiden av for- og baksiden i denne håndboken før delelisten.

Generell informasjon



Denne håndboken er skrevet for en person med noe mekanisk innsikt. Som i de fleste servicebøker er ikke absolutt alle trinn beskrevet. De fleste personer med noe mekanisk innsikt kan følge trinn som beskriver hvordan festeinnretninger skal løsnes eller strammes. Les og følg disse anvisningene før du tar produktet i bruk.

Gjør deg kjent med produktet: Du oppnår best resultat hvis du forstår maskinen og hvordan den fungerer. Sammenlign illustrasjonene med maskinen mens du leser denne håndboken. Lær deg kontrollenes plassering og funksjon. Ved å følge bruksanvisningene og sikkerhetsreglene kan du forebygge ulykker. Ta vare på denne håndboken slik at du kan slå opp i den på et senere tidspunkt.

VIKTIG: Mange maskiner er ikke montert og selges nedpakket i esker. Det er eierens ansvar å påse at monteringsanvisningene i denne håndboken følges til punkt og prikke. Andre maskiner selges ferdig montert. Det er eierens ansvar å påse at ferdig monterte maskiner er riktig montert. Eierens ansvar skal kontrollere produktet nøye i samsvar med anvisningene i denne håndboken før det tas i bruk for første gang.

Trenger du hjelp?

Dersom du trenger tilleggsinformasjon om montering, bruk eller service for utstyret ditt, ta kontakt med din lokale forhandler.

Denne håndboken inneholder sikkerhetsinformasjon som skal gjøre deg oppmerksom på hvilke farer og risikofaktorer som foreligger i tilknytning til snøfresere, og hvordan disse kan unngås. Snøfreseren er beregnet på snørydding og skal ikke brukes til andre formål. Det er viktig at du leser og forstår disse anvisningene. Det samme gjelder andre som skal bruke utstyret.



ADVARSEL

Eksos fra motoren i dette produktet inneholder kjemikalier som i delstaten California er fastslått å forårsake kreft, fødselsskader eller andre reproduksjonsskader.

Et signalord (FARE, ADVARSEL eller OBS!) brukes sammen med varselsignalet for å vise sannsynligheten for og den potensielle alvorlighetsgraden av en skade. I tillegg kan det brukes et faresymbol som representerer typen fare.



FARE angir en fare som **vil føre til alvorlig personskade eller dødsfall** hvis den ikke unngås.



ADVARSEL angir en fare som **kan føre til alvorlig personskade eller dødsfall** hvis den ikke unngås.



OBS! angir en fare som **kan føre til mindre eller moderat personskade** hvis den ikke unngås.

OBS! uten varselsymbolet angir en situasjon som **kan føre til skade på utstyret**.

Kontroller og funksjoner (se figur 1)

Trekkepakk (1) - Velg om snøfreseren skal gå forover eller bakover.

Sveiv (2) - Endrer retningen på utkastertuten.

Deflektor på utkastertut (3) - Endrer hvor langt/kort snøen blir kastet.

Utkastertut (4) - Endrer retningen snøen blir kastet i.

Spak for innmaterskruedrift (5) - Starter og stopper innmaterskruen (som tar inn og kaster ut snø) som også driver snøfreseren fremover.

Fartsspaken (6) - Velger hastigheten på snøfreseren.

Høydejustering for underlagsbeskyttelse (7) - Justerer høyden over bakken for naverhuset.

Snøfonnskjærere (18) - (hvis medfølgende) brukes til å rydde vei igjennom snø som ligger tykkere enn naverhuset.

Sikkerhetsbolter (19) - For å beskytte maskineriet er det brukt spesielle sikkerhetsbolter, som er utformet for å brette dersom et fremmedlegeme setter seg fast i naverhuset. Bruk av en hardere bolt vil ødelegge beskyttelsen en slik sikkerhetsbolt gir.

Fjernkontrollspak for fresekanal (20) - Kontrollerer hvor langt snøen kastes.

Bryter for oppvarmbare håndgrep (21) - Skru på de oppvarmbare håndgrepene.

Motorfunksjoner

Sikkerhetsnøkkel (8) - Må være satt inn for at motoren skal starte.

Fødepumpeknapp (9) - Sprøyter drivstoff rett inn i forgasseren slik at motoren starter raskere i kaldt vær.

Knapp for elektrisk start (10) - På modeller med elektrisk start brukes denne for å starte motoren.

Bryterboks (11) - På modeller med elektrisk start brukes denne for å koble til 220V elektrisitetsledning.

Startsnor (12) - Brukes til å starte motoren manuelt.

Gass (13) - (hvis medfølgende) Kontrollerer motor-hastigheten.

Stoppbryter (13) - (hvis medfølgende) Brukes til å stoppe motoren.

Chokekontroll (14) - Brukes til å starte motoren når den er kald.

Faresymboler og deres betydning

Disse symbolene brukes på utstyret og er definert i brukerhåndboken. Les dem og sørg for at du forstår hva de betyr. Når et av disse symbolene brukes i kombinasjon med et varselord, er det for å gjøre deg oppmerksom på potensielle farer og hvordan du kan unngå dem.

	Sikkerhetsvarsel – Angir sikkerhetsinformasjon om farer som kan forårsake personskade.		
	Brukerhåndbok – Les og sørg for å forstå fremgangsmåten før du utfører en aktivitet eller bruker utstyr.		
	Roterende innmaterskrue		
	Roterende naver		Brann
	Giftige gasser		Eksplisjon
	Roterende tannhjul		Elektrisk støt
	Gjenstander kastes ut		Svært varm flate
	Hold deg på trygg avstand fra utstyret.		
	Stikk aldri hånden inn i roterende deler.		
	Slå av motoren og kople fra tennpluggledningen før du utfører vedlikehold eller reparasjon.		

Brukssymboler og deres betydning

Disse symbolene brukes på utstyret og er definert i brukerhåndboken. Det er viktig at du leser dem og sørger for å forstå hva de betyr. Hvis du unnlater å gjøre deg kjent med symbolene kan det føre til personskade.

	Olje		Forover
	Drivstoff		Fri
	Av/på		Revers
	Fødepumpe		Tenning på
	Gass		Tenning av
	Choke av		Tenningsnøkkel
	Choke på		Trykk her for å kople inn den elektriske starteren
	Stopp		Elektrisk starter
	Sakte		Motorstart
	Raskt		Kjør motor
	Kople inn		Motor av
	Friksjon		
	Innmaterskrue		
	Kopling for innmaterskrue		
	Drivkopling		
	Kople inn		
	Kople ut		
Utkastertut		Deflektor	
	VENSTRE		HØYRE
	OPP		NED



FARE

Unngå alvorlig personskade eller dødsfall på grunn av berøring med den roterende innmatskruen.

Hold hender, føtter og klær på god avstand.

Det er farlig å løse opp blokkeringer i utkastertuten.

- Prøv ikke å fjerne avfall eller snø fra innmatskruen mens utstyret er koplet til kraftuttak eller motoren går.
- Stopp motoren og kople fra tennpluggledningen når du skal utføre vedlikehold på utstyret.
- La ikke utstyret stå uten tilsyn mens motoren går. Kople alltid ut innmatskrue- og friksjonskontrollene, stopp motoren og ta ut nøklene.
- Barn, dyr og andre skal holdes på god avstand under bruk. Barn synes ofte det er gøy å se utstyret i bruk. Vær oppmerksom på alle personer som er til stede.
- Hold alle løstsittende klær langt unna forparten på snøfreseren og innmatskruen. Skjerf, votter, snorer, løstsittende klær og bukser kan lett bli sittende fast i den roterende innmatskruen slik at kroppsdeler kan kappes av. Sett opp langt hår og ta av smykker.
- Snøfreseren er bare beregnet på å fjerne snø. Bruk den ikke til andre formål enn det som er tiltenkt.
- Rydd ikke snø på tvers i bakker. Vær svært forsiktig når du endrer retning i bakker. Forsøk ikke å rydde snø i bratte bakker.
- Bruk ikke snøfreseren på høyreliggende flater som hus- og garasjetak, verandaer og andre byggverk eller bygninger.



FARE

Gjenstander kan plukkes opp av innmatskruen og kastes ut av utkastertuten.

La aldri utkastertuten peke mot personer eller biler, og la aldri personer stå foran snøfreseren.

- Vær oppmerksom på omgivelsene når du bruker utstyret. Hvis du kjører over gjenstander som ligger skjult under snøen, for eksempel grus, dørmatter, aviser, leker og stein, kan disse kastes ut av utkastertuten eller sette seg fast i innmatskruen.
- Vær alltid oppmerksom på hvilken retning snøen kastes i. Fotgjengere, dyr eller eiendom i nærheten kan skades av gjenstander som kastes ut.
- Gjør deg kjent med området du skal rydde for snø. Merk grensene for gangveier og innkjørsler for å hindre skade på eiendom og for å unngå å kaste ut gjenstander.
- Vær forsiktig når du bruker snøfreseren på ukjente steder. Vær oppmerksom på skjulte farer og trafikk.
- Slå AV motoren hvis du treffer en gjenstand, vent til de bevegelige delene ligger i ro og se etter skade på snøfreseren med en gang. Reparer eventuelt snøfreseren før du starter og bruker den igjen.
- Slå AV motoren, vent til alle bevegelige deler har stanset og bruk alltid en pinne til å løse opp blokkeringer i utkastertuten.
- Slå AV motoren hvis det oppstår unormale vibrasjoner. Vibrasjon er som regel et faresignal. Ta kontakt med en autorisert forhandler hvis det er nødvendig med reparasjon.



FARE

Utkastertuten inneholder en roterende naver som kaster ut snø. Prøv ikke å fjerne blokkeringer i utkastertuten med hendene eller mens motoren går.

Fingrene kan lett bli sittende fast, noe som kan føre til amputasjon eller alvorlige kuttskader.

- Rengjøring av utkastsjakten er en farlig aktivitet.
- Hold aldri hendene i eller ved utkastertuten.
- Slå AV motoren, vent til alle bevegelige deler er i ro og prøv å løse opp blokkeringer i utkastertuten med en pinne.
- Tilstoppet snø kan skjule andre blokkeringer i utkastertuten og forårsake skade på utstyret, rotoren eller innmatskruen. Vær forsiktig når du starter utstyret på nytt etter å ha fjernet snø.



ADVARSEL

Motoren slipper ut karbonmonoksid, en giftig gass uten lukt eller farge.

Innånding av karbonmonoksid kan føre til kvalme, besvimelse eller dødsfall.

- Start og kjør motoren utendørs.
- Du skal ikke starte eller kjøre motoren på et innelukket sted, selv om dører og vinduer er åpne.

**ADVARSEL**

Bensin og bensindamp er særdeles brann- og eksplosjonsfarlig. Brann eller eksplosjon kan forårsake alvorlige forbrenninger eller dødsfall.

VED PÅFYLLING AV DRIVSTOFF

- Slå AV motoren og la den avkjøles i minst to minutter før du tar av bensinlokket.
- Fyll drivstofftanken utendørs eller på et sted med god ventilasjon.
- Unngå å overfylle drivstofftanken.
- Hold bensin på god avstand fra gnist, åpen ild, tennflammer, varme og andre antenningskilder.
- Se etter sprekker eller lekkasje på bensinslanger, -tank, -lokk og rørdeler. Skift hvis det er nødvendig.

VED STARTING AV MOTOREN

- Påse at tennplugg, lyddemper, bensinlokk og luftrensere er på plass.
- Start ikke motoren hvis tennpluggen er fjernet.
- Hvis du søler drivstoff, skal du vente til drivstoffet er fordampet før du starter motoren.
- Hvis motoren får for mye bensin, skal du stille choken på ÅPEN/KJØR, sette gassen på RASKT og starte motoren til den kommer i gang.

VED BRUK AV UTSTYRET

- Unngå å strupe forgasseren for å stoppe motoren.

VED TRANSPORT AV UTSTYRET

- Utstyret skal transporteres med TOM drivstofftank.

VED OPPBEVARING AV BENSIN ELLER UTSTYR MED DRIVSTOFF PÅ TANKEN

- Oppbevar på god avstand fra fyringsanlegg, ovner, varmtvannsberedere eller andre apparater som har tennflamme eller annen tennkilde, da disse kan antenne bensindamp.

REGLER FOR SIKKER BRUK



ADVARSEL: Denne maskinen er i stand til å amputere hender og føtter, og kaste gjenstander. Les sikkerhetsreglene og følg dem nøye. Dersom reglene ikke overholdes, kan det føre til tap av kontroll over maskinen, alvorlig personskade eller døden for deg, eller tilskuerer, eller til skade på gjenstander eller utstyr. Varseltrekantene  i tekstene viser viktige forsiktighetsråd eller advarsler som må følges.

Sikker bruksmåte for snøfresere

VIKTIG: Sikkerhetsstandardene krever at visse betjeningsfunksjoner for å minimere risikoen for skader. Snøfreseren er utstyrt med slike betjeningsfunksjoner. Prøv ikke under noen omstendighet å sette funksjonaliteten ved disse ut av funksjon.

Opplæring

1. Les, forstå og følg alle instruksjoner på maskinen eller i manualen før du bruker denne enheten. Vær helt fortrolig med betjeningsinstrumentene og riktig bruk av utstyret. Vit hvordan du stanser enheten og løser ut kontrollene raskt.
2. La aldri barn bruke utstyret. La aldri voksne bruke utstyret uten at de har fått skikkelig opplæring.
3. Hold bruksområdet tomt for alle personer, spesielt små barn og kjæledyr.
4. Vær forsiktig for å unngå å skli eller falle, spesielt når du arbeider bakover.

Forberedelse

1. Undersøk området der utstyret skal brukes nøye, og fjern alle dørmatter, sleder, brett, ledninger og andre fremmedlegemer.
2. Løs ut alle koblinger og skift til nøytral før start av motoren.
3. Ikke bruk utstyret uten å ha på deg skikkelig vintertøy. Bruk fottøy som gir godt fofeste på glatte overflater. Unngå løssittende klær som kan sette seg fast i bevegelige deler.
4. Behandle drivstoffet forsiktig, det er meget brennbart.
 - a. Bruk en godkjent drivstoffbeholder.
 - b. Fyll aldri drivstoff på en motor som er i gang eller er varm.
 - c. Fyll tanken utendørs med ekstrem forsiktighet. Fyll aldri drivstofftanken innendørs. Sett på lokket skikkelig på drivstofftanken, og tørk opp dersom du har sølt drivstoff.
 - d. Fyll aldri beholdere inne i et kjøretøy, eller på en lastebil eller tilhenger med plastoverflate. Plasser alltid beholdere på bakken, borte fra kjøretøyet ditt, før du fyller.
 - e. Når det er mulig, fjern bensindrevet utstyr fra lastebilen eller tilhengeren og fyll drivstoff når det står på bakken. Dersom det ikke er mulig, er det bedre å fylle utstyr som står på en tilhenger ved hjelp av en bærbar beholder enn å fylle direkte fra munnstykket på en bensinbeholder.
 - f. Hold munnstykket i kontakt med kanten av drivstofftanken eller beholderåpningen hele tiden til drivstoffyllingen er fullført. Ikke bruk utstyr som holder munnstykket åpent av seg selv.
 - g. Sett bensinlokket skikkelig på plass og tørk opp hvis du har sølt drivstoff.
 - h. Dersom det er sølt drivstoff på tøy, må dette skiftes umiddelbart.
5. Bruk forlengelsesledninger og stikkontakter som spesifisert av produsenten for alle enheter med elektriske fremdriftsmotorer eller elektriske startmotorer
6. Juster høyden på oppsamlingshuset for å gå klar av grus eller knust steinoverflate.

7. Prøv aldri å gjøre noen justeringer når motoren er i gang (uten at det er spesifikt anbefalt av produsenten).
8. La motoren og snøfreseren tilpasse seg til utendørstemperaturene før du begynner å rydde snø.
9. Ha alltid på deg beskyttelsesbriller eller øyebeskyttelse under bruk eller når du gjør justeringer eller reparasjoner for å beskytte øynene mot fremmede gjenstander som kan kastes ut av maskinen.
10. Bruk aldri snøfreseren uten skikkelige beskyttelse, plater eller annet sikkert sikkerhetsutstyr på plass.

Bruk

1. Ikke plasser hender eller føtter nær eller under roterende deler. Hold deg alltid unna utkastingsåpningen.
2. Utvis ekstrem forsiktighet når du arbeider på eller krysser grusveier, gangveier eller veier. Vær oppmerksom på skjulte farer eller trafikk.
3. Hvis du har truffet et fremmedlegeme, stans motoren, fjern ledningen fra tennpluggen, koble fra ledningen på elektriske motorer, kontroller snøfreseren nøye for å se om der er noen skader, og reparer skaden før du starter og bruker snøfreseren på nytt.
4. Hvis enheten begynner å vibrere unormalt, stans motoren og forsøk å finne årsaken umiddelbart. Vibrasjon er vanligvis et varsel om problem.
5. Stans alltid motoren når du forlater arbeidsområdet, før du rengjør oppsamleren/rotorhuset eller utkastingsjakten, og når du reparerer, justerer eller undersøker den.
6. Når du rengjør, reparerer eller undersøker noe, sørg for at oppsamler/rotor og alle bevegelige deler har stanset. Koble fra tennpluggledningen og hold ledningen unna tennpluggen for å forhindre start ved et uhell.
7. Ikke bruk maskinen innendørs, utenom når du starter motoren og transporterer snøfreseren inn eller ut av bygningen. Åpne ytterdørene; eksosgasser er farlige (inneholder KARBONMONOKSID, en LUKTFRI og DØDELIG GASS).
8. Utvis ekstrem forsiktighet når du arbeider i bakker. Ikke prøv å rydde bratte bakker.
9. Bruk aldri snøfreseren uten skikkelige beskyttelse, plater eller annet sikkert sikkerhetsutstyr på plass og i funksjon.
10. La aldri snøutkastet rettes direkte mot områder der det er folk, eller områder det kan oppstå materiell skade. Hold barn og andre unna.
11. Ikke overbelast maskinens kapasitet ved å forsøke å rydde snøen for hurtig.
12. Bruk aldri maskinen ved høy transporthastighet eller på glatt underlag. Se bakover og vær forsiktig når du bruker den i reverse.
13. Slå av kraftoverføringen til oppsamler/rotor når snøfreseren transporteres eller ikke er i bruk.
14. Bruk bare tilkoblinger og tilbehør som er godkjent av snøfreserens produsent (som førerhytter, snøkjettinger etc.).
15. Bruk aldri snøfreseren uten god sikt eller lys. Vær alltid sikker på hvor du trækker, og hold godt i håndtakene. Gå, løp aldri.
16. Berør aldri en varm motor eller eksosspotte.
17. Bruk aldri snøfreseren nær glassoverbygg, biler, vindusåpninger, lasteåpninger og lignende uten skikkelig justering av utkastingsvinkelen for snø.
18. Rett aldri utkastet mot tilskuerer, og la aldri noen være foran maskinen.

19. La aldri en maskin som er i gang være uten tilsyn. Koble alltid fra transportskruen og trekkraftkontrollene, stans motoren og fjern nøklene.
20. Bruk aldri maskinen hvis du er påvirket av alkohol eller stoff.
21. Husk at brukeren er ansvarlig for skade som skjer andre folk eller gjenstander.
22. Data indikerer at brukere fra 60 år og oppover er involvert i en større andel av skader relatert til motordrevet utstyr. Slike brukere må vurdere sin evne til å bruke enheten på en måte som er trygg nok til å kunne beskytte seg selv og andre mot skader.
23. IKKE BRUK lange skjerf eller løstsittende klær som kan komme inn i bevegelige deler.
24. Snø kan skjule hindringer. Sørg for å fjerne alle hindringer fra området som skal ryddes.

Barn

Det kan skje tragiske ulykker dersom brukeren ikke er på vakt når det er barn i nærheten. Barn blir ofte tiltrukket av maskinen og snøfresingen. Stol aldri på at barna holder seg i ro der du så dem sist.

1. Hold barn unna området og under grundig oppsikt fra en annen ansvarsbevisst voksen.
2. Vær på vakt og slå maskinen av hvis barn kommer inn i området.
3. La aldri barn bruke utstyret.
4. Vær ekstra oppmerksom når du nærmer deg uoversiktlige hjørner, busker, trær eller andre gjenstander som kan hindre sikten.

Rengjøre en tilstoppet utkastingsjakt

Håndkontakt med den roterende rotoren inne i utkastingsjakten er den mest vanlige årsaken til skader forbundet med snøfresere. Bruk aldri hendene for å rydde opp i utkastingsjakten.

Rydde sjakten:

1. SLÅ AV MOTOREN.
2. Vent i 10 sekunder for å være sikker på at rotorbladene har sluttet å bevege seg.
3. Bruk alltid et verktøy, aldri hendene dine.

Service, vedlikehold og lagring

1. Kontroller skjærbolter (klemmer) og andre bolter med regelmessig mellomrom for å se om de sitter skikkelig på plass, for å være sikker på at utstyret er i sikker brukstilstand.

2. Lagre aldri maskinen med drivstoff i drivstofftanken inne i en bygning der det finnes kilder for antennelse, som oppvarmere for vann og rom eller klestørkere. La motoren bli kald før du lagrer i lukkede omgivelser.
3. Se alltid i brukermanualen for viktige opplysninger dersom snøfreseren skal lagres for en lengre periode.
4. Foreta vedlikehold og skift ut sikkerhets- og instruksjonsskilt dersom det er nødvendig.
5. La maskinen gå noen minutter etter at du har ryddet snø for å forhindre fastfrysing av oppsamleren/rotoren.
6. Dersom det søles drivstoff, ikke prøv å starte motoren, men fjern maskinen fra stedet der det er sølt, og unngå å skape noen antenningskilde før drivstoffgassen har forsvunnet.
7. Gjennomfør alltid trygg drivstoffylling og behandling av drivstoff når du fyller på maskinen etter transport eller lagring.
8. Følg alltid instruksjonene i motormanualen for å forberede lagring når maskinen skal settes bort både for kortere og lengre perioder.
9. Følg alltid instruksjonene i motormanualen for riktige start-prosedyrer når enheten skal sendes til service.
10. Hold muttere og skruer på plass, og sørg for at utstyret er i god stand.
11. Tukle aldri med sikkerhetsutstyret. Kontroller regelmessig at de fungerer skikkelig, og foreta nødvendige reparasjoner dersom de ikke fungerer som de skal.
12. Komponentene kan utsettes for slitasje, skade og kvalitetsforringelse. Kontroller komponentene regelmessig og skift ut med produsentens anbefalte deler når det er nødvendig.
13. Kontroller betjeningsinstrumentene regelmessig. Juster og gi service som påkrevd.
14. Bruk bare fabrikkgodkjente reservedeler når du reparerer.
15. Følg alltid fabrikkspesifikasjonene for alle innstillinger og justeringer.
16. Bare autoriserte serviceverksteder må brukes for større services og reparasjoner.
17. Prøv aldri å foreta større reparasjoner på enheten uten har du har fått skikkelig opplæring. Uriktige serviceprosedyrer kan føre til farlig bruk, skade på utstyret og at produsentens garanti mister gyldighet.

Utslipp

1. Motoreksos fra dette produktets motor inneholder kjemikalier som er kjent for å forårsake kreft, fødselsskader eller skader på forplantningsevnen i bestemte mengder.
2. Om tilgjengelig, se alltid etter relevante opplysninger om utslippvarighets varighet og informasjon om luftindeks på motorens utslippsmærking.

Tenningsystem

1. Dette tennpluggsystemet samsvarer med Canadian ICES-002.

MONTERING

Les og følg monterings- og justerings-instruksjonene for snøfreseren din. Alt du trenger for monteringen ligger i deleposen. Ikke kast noen deler før enheten er ferdig montert.



ADVARSEL: Før du begynner montering eller vedlikehold av snøfreseren, koble ledningen fra tennpluggen.

BEMERK: I denne instruksjonsboken refererer venstre og høyre til plasseringen av en del sett fra bruksposisjon bak enheten.

BEMERK: Vridningsmoment måles i fot-pund (metrisk Newton-meter). Dette målet beskriver hvor hardt tilskrudd en mutter eller bolt må være. Vridningsmoment måles med en spenningsmåler.

BEMERK: Festedeler og løse deler vises i full størrelse i figur 2 side 175.

BEMERK: Illustrasjonene er plassert på side 2 og på side 176 til og med 181.

Nødvendig verktøy

- | | |
|---|-----------------------------|
| 1 | Kniv |
| 1 | Nebbetang |
| 2 | 1/2 tommer åpen skrunøkkel |
| 2 | 9/16 tommer åpen skrunøkkel |
| 2 | 3/4 tommer åpen skrunøkkel |
| 1 | Målebånd eller linjal |
| 1 | Skrutrekker |

Hvordan ta snøfreseren ut av innpakningen

- (Figur 3)** Snøfreseren er vist i transportstilling.
- Skjær opp alle fire hjørnene av kartongen, og legg sidepanelene flate, eller bruk trekkhåndtaket for å fjerne boksen fra fundamentet.
- Kutt av og kast plastbåndene som holder veivesamlingen og fartsstyrestangen fast.
- Finn alle deler som er pakket separat og ta dem ut av pappesken.
- Fjern og kast innpakkingsmaterialet som omgir snøfreseren.
- (Figur 1)** For å lette forsendelse er høydejusteringsbremsene (7) festet til pallen. Fjern skruen (17) som fastholder hver høydejusteringsbremse (7) til pallen.
- Hold i nedre håndtak og dra snøfreseren av pallen.
OBS! IKKE dra den over kabler.
- Fjern innpakkingsmaterialet fra håndtaksdelene.
- Kutt båndene som holder kontrollkablene for clutch (1) fast til nedre håndtak (2). Flytt kablene bort fra motorrammen.

Hvordan montere håndtaket

- (Figur 4)** Løsne på, men ikke ta ut festedelerne (1) fra de øvre hullene på det nedre håndtaket (3).
- Fjern festedelerne fra de nederste hullene i det nedre håndtaket (3).

- (Figur 1)** Sett fartsspaken (6) i posisjon fremover.
- (Figur 4)** Løft det øvre håndtaket (2) til bruksstilling.
BEMERK: Påse at kablene ikke ligger i klemme mellom øvre og nedre håndtak.
- Monter festedeler som ble fjernet i trinn 2. Stram IKKE før alle festedeler er på plass.
- Stram til alle festedeler på håndtaket.

Hvordan montere fartsspaken

- (Figur 9)** Fest kuleleddet (6), som sitter på den nederste enden av fartsspaken (2), til skiftkragemontasjen (7). Festelementene (8) er festet til kuleleddet (6) på fabrikkens. Lengden på kuleleddet (6) og fartsspaken (2) er forhåndsjustert på fabrikkens. Dersom ytterligere justering kreves, løsne på mutteren (9). Fjern festelementene (8) for å kople kuleleddet (6) fra skiftkragemontasjen (7). Drei adapteren (10) for å forlenge eller forkorte fartsspaken (2) og oppnå riktig lengde.
- (Figur 12)** Fest håndtaket (11) på fartsspaken (5). På noen modeller er håndtaket (11) ferdigmontert. Stram til sekskantmutteren (10) mot bunnen av håndtaket (11) for å låse den på plass.
- Kontroller at fartsspaken (5) fungerer som den skal. Beveg fartsspaken (5) gjennom alle hastighetene.

Hvordan montere knappene

BEMERK: Dersom knappene allerede er montert, gå til neste punkt

Fresekanalknapp (Figur 12)

- Sett fresekanalknappen (1) inn på spaken (3) inntil den hviler godt mot mutteren (2). På noen modeller er fresekanalknappen (1) forhåndsmontert.
- Påse at randmerket (4) på fresekanal-knappen (1) peker mot motoren.
- Stram til mutteren (2) mot undersiden av fresekanalknappen (1).

Hvordan samle fresekanalavlederen

- (Figur 6)** Fjern låsebolten (1).
- Løft fresekanalavlederen (2) til driftsposisjon (3).
- Fastgjør fresekanalavlederen (2) til flensen (4) med låseboltene (1). Pass på at hodet til låseboltene (1) kommer på innsiden av flensen (2).
- Fastgjør med skiver (5) og låsemuttere (6).
- Stram låsemutterne (6) skikkelig.

BEMERK: Kontroller at alle låsebolter i flensen sitter stramt. MÅ IKKE OVERSTRAMMES.

Sjekk kablene

- (Figur 8)** Sjekk trekkdrivkabelen (1) og naverdrivkabelen (2). Dersom bunnen av kablene er blitt frakoblet, skal kablene monteres på nytt.
- (Figur 10)** Dersom toppene av kablene (5) har blitt frakoblede fra drivspakene (6), fest kablene (5) til "Z"-sporet (7).

Hvordan justere underlagsbeskyttelse (Figur 1)

Snøfreseren er utstyrt med høydejusterbar underlagsbeskyttelse (7) montert på utsiden av naverhuset (4). For å justere høyden på denne beskyttelsen, se "Hvordan justere høyden på underlagsbeskyttelsen" i vedlikeholdsseksjonen.

Hvordan innstille kabellengdene

Kablene ble justert på fabrikkens og ingen ekstra justering bør være nødvendig. Etter håndtakene settes på plass kan det hende at kablene er for stramme eller for løse. Dersom en justering er nødvendig, se "Hvordan kontrollere og justere kablene" i avsnittet om service og justering.

Hvordan sette sammen snøfonnskjæreren (hvis medfølgende)

Snøfonnskjærere brukes til å rydde vei igjennom snø som ligger tykkere enn naverhuset.

- (Figur 11)** Løsne på vingemutterne (2) som fester snøfonnskjærerne (1) til naverhuset.
- Løft snøfonnskjærerne (1) til ønsket høyde.
- Stram til vingemutterne (2).

Hvordan klargjøre motoren

BEMERK: Motoren ble sendt fra fabrikkanten påfylt med olje. Sjekk oljenivået og etterfyll om nødvendig.



ADVARSEL: Følg instruksjoner fra produsenten av motoren angående valg av drivstoff og olje. Bruk alltid en sikker drivstoffbeholder. Røyk aldri mens du fyller bensin på motoren. Fyll aldri bensin inne i et lukket rom. Stopp motoren og la den kjøle seg ned i flere minutter før du fyller på mer bensin.

Se instruksjoner gitt av produsenten av motoren for informasjon om hvilken type drivstoff og olje som skal brukes. Les informasjon om sikkerhet, bruk, vedlikehold og oppbevaring før du tar i bruk enheten.

Viktig! Før du bruker snøfreseren:

- Kontroller festelementene. Pass på at alle festelementer er stramme.
- På modeller med elektrisk start leveres enheten med startkabelen koblet til motoren. Startkabelen skal kobles fra motoren før bruk.

BRUK

BEMERK: Illustrasjonene er plassert på side 2 og på side 176 til og med 181.

OBS! Bruk bare tilbehør og ekstrautstyr som er godkjent av snøfreserprodusenten (kjettinger, elektriske startere osv.).

Kjenn snøfreseren din (Figur 1)

Les denne instruksjonsboken og sikkerhetsreglene før du begynner å bruke snøfreseren. Sammenlign illustrasjonene med snøfreseren, slik at du blir kjent med hvor de forskjellige styringsmekanismene og justeringsmulighetene finnes.

Hvordan kontrollere snøutkastingen



ADVARSEL: Rett aldri snø-kastingen mot tilstedeværende.



ADVARSEL: Stopp alltid motoren fjerner blokkeringer fra fresekanalen eller naverhuset og før du går ifra snøfreseren.

1. (**Figur 5**) Drei den elektriske fresekanalbryteren (2) for å stille inn retningen (venstre til høyre) for utkastning av snøen.
2. Dra **fresekanalspaken (17)** bakover for å kaste snøen høyere opp og lengre bort. Dyt **fresekanalspaken (17)** forover for å styre snøutkastingen nedover.

Hvordan stoppe snøfreseren (**Figur 1**)

1. For å stanse fresingen av snø, slipp **naverdrivspaken (5)**.
2. For å stoppe hjulene, slipp **trekkdrivspaken (1)**.
3. På modeller med **gassregulering (13)** stanser du motoren ved å først sette **gassreguleringen (13)** i SAKTE-stillingen og deretter sette den i STOPP-stillingen.
4. På modeller med **tenningsbryter (13)** stanser du motoren ved å sette **tenningsbryteren (13)** i AV-stillingen.
5. Ta ut **sikkerhetsnøkkelen (8)**.

OBS! For å stoppe motoren må du ikke flytte choke-kontrollen til CHOKE-stillingen. Det kan føre til tilbakeslag eller motorskade.

Hvordan kjøre forover eller bakover (**Figur 1**)

1. For å endre kjøreastighet må du først slippe opp **trekkdrivspaken (1)** og deretter flytte **fartsspaken (6)** til ønsket hastighet.
2. Kjøreastigheten bestemmes av snøforholdene. Velg hastighet ved å bevege **fartsspaken (6)** til det passende merket på fartsvalgsplaten.

Speed 1, 2	Våt, tung snø
Speed 3	Lett snø
Speed 4	Svært lett snø
Speed 5, 6	Kun for transport

3. For å kjøre forover, bruk **trekkdrivspaken (1)**. Hold et fast grep om håndtaket når snøfreseren begynner å gå forover. Styr snøfreseren ved å bevege håndtaket enten mot venstre eller mot høyre. Ikke forsøk å skyve snøfreseren.
4. For å kjøre bakover, slipp opp **trekkdrivspaken (1)**.
5. Beveg **fartsspaken (6)** til enten første eller andre revers.
6. Bruk **trekkdrivspaken (1)** igjen.

VIKTIG: Ikke beveg **fartsspaken (6)** mens **trekkdrivspaken (1)** er i bruk.

Hvordan frese snø (**Figur 1**)

1. Sett **naverdrivspaken (5)** i funksjon.
2. For å stanse snøfresingen, slipp opp **naverdrivspaken (5)**.



ADVARSEL: Bruk av snøfreser kan føre til at fremmedlegemer slynges mot øynene, noe som kan føre til alvorlige skader på øynene. Bruk alltid vernebriller eller annen beskyttelse for øynene ved bruk av snøfreser. Vi anbefaler vanlige vernebriller eller å bruke en sikkerhetsmaske over brillene dine.

Hvordan bruke de oppvarmbare håndgrepene (**Figur 5**)



ADVARSEL: De oppvarmbare håndgrepene skal kun brukes når temperaturen ligger under 0°C. Skru ikke på de elektriske håndgrepene når temperaturen er over 0°C.

Bruk de oppvarmbare håndgrepene til å holde hendene dine varme når temperaturen ligger under 0°C. Skru bryteren for de **oppvarmbare håndgrepene (20)** til PÅ. Det vil ta et par minutter før håndgrepene blir varme. Fordi de oppvarmbare håndgrepene kan bli svært varme, anbefaler vi at du bruker hansker. Skru av varmen dersom du merker at håndgrepene blir for varme.

Før du starter motoren

1. Før du utfører vedlikehold på eller starter motoren må du gjøre deg kjent med snøfreseren. Forsikre deg om at du forstår hvordan alle kontroller virker og hvor de finnes.
2. Sjekk spenning i clutchkabelen før du starter motoren. Se "Hvordan justere clutchkabelen" i vedlikeholdsseksjonen av bruksanvisningen.
3. Pass på at alle festene er godt skrudd til.
4. Påse at underlagsbeskyttelsen er passelig justert. Se "Hvordan justere høyden på underlagsbeskyttelsen" i vedlikeholdsseksjonen av bruksanvisningen.
5. Sjekk lufttrykket i hjulene. Korrekt lufttrykk er mellom 1 BAR (14 PSI) og 1,25 BAR (17 PSI). Det lufttrykket som er angitt på siden av hjulet må aldri overstiges.

Hvordan stanse motoren (**Figur 1**)

1. På modeller med **gassregulering (13)** stanser du motoren ved å først sette **gassreguleringen (13)** i SAKTE-stillingen og deretter sette den i STOPP-stillingen.
2. På modeller med **tenningsbryter (13)** stanser du motoren ved å sette **tenningsbryteren (13)** i AV-stillingen.
3. Ta ut **sikkerhetsnøkkelen (8)**. Oppbevar **tenningsnøkkelen (8)** på et trygt sted. Motoren kan ikke startes uten **tenningsnøkkelen (8)**.

OBS! For å stoppe motoren må du ikke flytte choke-kontrollen til CHOKE-stillingen. Det kan føre til tilbakeslag eller motorskade.

Hvordan starte motoren (**Figur 1**)

For modeller utstyrt med elektrisk starter

BEMERK: Elektrisk startutstyr kan installeres på motorer med trekkstart. Elektrisk startutstyr er tilgjengelige fra ditt nærmeste autoriserte servicesenter.



ADVARSEL: Starteren er utstyrt med en tre-tråds strømledning og –plugg laget for å bruke 220V AC spenning fra vanlige vegguttak. Strømledningen må til enhver tid være ordentlig jordet for å unngå muligheten for elektrosjokk som kan skade brukeren. Følg nøye alle instruksjoner gitt i seksjonen "Hvordan starte motoren". Påse at huset ditt er utstyrt med en tre-tråds, jordet ledningsnett. Hvis du er usikker, spør en elektriker. Dersom huset ditt ikke har et tre-tråds jordet ledningsnett må du under ingen omstendigheter bruke denne elektriske starteren. Dersom ledningsnett ditt er jordet, men det ikke er noen trehulls jordede uttak tilgjengelige for motoren, få installert et trehulls uttak av en autorisert elektriker. Når du kobler til en 220V AC strømledning, koble bestandig ledningen til bryterboksen (11) på motoren først. Plugg deretter den andre enden til det trehulls vegguttaket. Når du skal koble fra strømledningen, ta alltid ut den enden som går til det trehulls, jordede vegguttaket først.

Hvordan starte en kald motor (**Figur 1**)

1. Sjekk motoroljen
2. Fyll drivstofftanken med vanlig blyfri bensin. Se "Hvordan klargjøre motoren".
3. Påse at **trekkdrivspaken (1)** og **naverdrivspaken (5)** står i fri (åpen) posisjon.
4. På modeller med **gassregulering (13)** starter du motoren ved å sette **gassreguleringen (13)** i RASKT-stilling. Kjør motoren med **gassreguleringen (13)** i RASKT-stillingen.
5. På modeller med **tenningsbryter (13)** starter du motoren ved å sette **tenningsbryteren (13)** i PÅ-stillingen.
6. Sett **sikkerhetsnøkkelen (8)** i motornøkkelhullet. Kontroller at **sikkerhetsnøkkelen (8)** er satt helt inn. **Vri ikke om tenningsnøkkelen (8)**.
7. Flytt **choke-kontrollen (14)** til full choke-stilling.
8. (**Elektrisk start**) Koble strømledningen til bryterboksen (11) som du finner på motoren.
9. (**Elektrisk Start**) Plugg den andre enden av strømledningen inn i et trehulls, jordet 220V AC strømuttak. (Se **ADVARSEL** i denne seksjonen).
10. Trykk inn **tenningsknappen (9)**. Vent to sekunder for hver gang du trykker **tenningsknappen (9)**. Se instruksjoner gitt av produsenten av motoren for å finne nødvendig antall ganger **tenningsknappen (9)** må trykkes inn.
11. (**Elektrisk Start**) Trykk inn den **elektriske startknappen (10)** inntil motoren starter. Hold ikke inne i mer enn 5 sekunder av gangen. Vent ett minutt mellom startforsøk for å la starteren kjøles ned.
12. (**Trekkstart**) Dra sakte i **trekkstarthåndtaket (12)** til motstand kjennes, og dra deretter raskt for å starte motoren. La ikke **trekkstarthåndtaket (12)** smekke tilbake. Slipp i stedet sakte **trekkstarthåndtaket (12)** tilbake.
13. Dersom motoren ikke starter innen 5–6 forsøk, se instruksjonene i "Feilsøkingstabell".

14. La motoren få varmes opp i flere minutter. Ettersom motoren varmes opp, skal **choke-kontrollen (14)** flyttes mot KJØR-stillingen. Vent til motoren går jevnt før hver choke-justering.
15. (**Electrisk Start**) Koble først strømledningen fra det trehulls strømuttaket. Deretter koble strømledning fra bryterboksen (11).

BEMERK: Ved temperaturer under -18°C (0°F), la motoren varmes opp i flere minutter før du starter snøfresingen.

16. Når du freser snø, kjør alltid motoren med **gasskontrollen (13)** (hvis medfølgende) hurtig-stilling.



ADVARSEL: La aldri motoren gå innendørs eller i dårlig ventilerte, lukkede områder. Motoreksos inneholder karbonmonoksid, en luktfri og dødelig gass. Hold hender, føtter, hår og løstsittende klær borte fra alle bevegelige deler på motoren eller snøfreseren. Temperaturen på lydputten og nærliggende områder kan bli over 66°C (150°F). Vær forsiktig!

Hvordan starte en varm motor (Figur 1)

Dersom motoren har gått en stund og fremdeles er varm, la **choke-kontrollen (14)** stå i av-stilling og ikke trykk inn **tenningsknappen (9)**. Dersom motoren ikke starter, følg instruksjonene under "Hvordan starte en kald motor".

BEMERK: Bruk ikke tenningsknappen (9) til å starte en varm motor.

Hvordan starte en motor med en frossen elektrisk starter (Figur 1)

Dersom den elektriske starteren er frosset og ikke vil sette i gang motoren, følg instruksjonene under.

1. Dra så mye av startsnoren ut av starteren som mulig.
2. Slipp opp starterhåndtaket og la snoren smekkes tilbake mot starteren. Gjenta til motoren starter.

Varme motorer vil føre til kondens i kaldt vær. For å forhindre tilfrysning av trekkstarteren og motorkontrollene, gjør følgende etter snøfjerning.

1. La snøfreseren gå i noen minutter etter fullført snørydding, for å unngå tilfrysning av fresebladene/naver.
2. La motoren kjøles ned i flere minutter etter avstengning.
3. Dra startsnoren forsiktig til motstand føles og stopp. La startsnoren smekkes tilbake. Gjenta tre ganger.
4. Tørk all snø og fukt av forgasserområdet, nær kontrollspaker og håndtak når motoren er slått av. Flytt også flere ganger på choke-kontrollen og trekkstartshåndtaket.

Hvordan fjerne snø eller rester fra naverhuset



ADVARSEL: Ikke prøv å fjerne snø eller annet avfall, som kan ha satt seg fast i naverhuset, med hendene. Bruk rengjøringsstangen eller en brekkstang for å fjerne snø og avfall.

(Figur 7) En **rengjøringsstang (1)** er festet øverst på naverhuset. Bruk denne rengjøringsstangen til å fjerne snø fra naverhuset.

1. (Figur 1) Slipp opp **naverdrivspaken (5)**.
2. Stopp motoren.

3. Ta ut (ikke vri om) **tenningsnøkkelen (8)**.
4. Koble fra ledningen til tennpluggen.
5. Plasser ikke hendene i **naverhuset (4)** eller i **fresekanalen (3)**.
6. (Figur 7) Bruk **rengjøringsstangen (1)** eller en pinne e.l. til å fjerne snø og rester.

Snøfresingstips

1. For maksimal snøfresingskapasitet ved snøfjerning kan du endre hastigheten. Kjør saktere i dyp, svært kald eller våt snø. Reduser fremdriftshastigheten dersom hjulene sklir.
2. Mest effektiv snøfresing gjøres når snøen ryddes bort rett etter at den har lagt seg. **OBS! Overbelast ikke snøfreseren ved å rydde snø med for stor hastighet.**
3. For å få en fullstendig snørydding må du for hver vending du går med snøfreseren overlape forrige vending noe.
4. Dersom det er mulig, fres snøen bort med vindretningen.
5. Ved normal bruk, sett underlagsbeskyttelsen slik at skrapestangen er 3 mm (1/8") over underlagsbeskyttelsen. Ved ekstremt sammenpakket snø, juster underlagsbeskyttelsen opp slik at skrapestangen tar borti bakken.
6. Steiner og grus må ikke bli fanget opp og kastet ut av maskinen. For slikt underlag må underlagsbeskyttelsen settes til 32 mm (1-1/4") under skrapestangen. Se "Hvordan justere høyden på underlagsbeskyttelsen" i vedlikeholdsseksjonen.
7. La motoren gå på tomgang i noen minutter etter hver snøfresing. Da vil snø og isdannelse smelte bort fra motoren.
8. Tørk av snøfreseren etter hver bruk.
9. Fjern is, snø og rester fra hele snøfreseren. Skyll/vask ren med vann for å fjerne alle salter eller andre kjemikalier. Tørk snøfreseren tørr.

VEDLIKEHOLDSTABELL

KUNDENS ANSVARSOMRÅDER

VEDLIKEHOLDLOGG								
Fyll inn datoene etter hvert som du gjennomfører vanlig vedlikehold	Før hver bruk	Første 2 timer	Hver 5. time	Hver 10. time	Hver 25. time	Hver sesong	Før lagring	VEDLIKEHOLDSDATOER
Sjekk nivå på motorolje	√		√			√		
Skift motorolje					√	√		
Sjekk og skru til alle skruer og muttere	√					√		
Sjekk tennpluggen					√	√		
Juster drivbeltet		√			√	√		
Sjekk drivstoff	√							
Tøm for drivstoff							√	
Sjekk justering for naverclutchkabelen (Se kabeljustering)		√				√		
Sjekk justering for trekkclutchkabelen (Se kabeljustering)		√				√		
Smør inn alle dreibare punkter				√			√	
Smør inn naverstangen (Se skifte av sikkerhetsbolter)				√			√	
Smør inn drivkjeder og tannhjul				√			√	

VEDLIKEHOLD

BEMERK: Illustrasjonene er plassert på side 2 og på side 176 til og med 181.

Bruke følgende vedlikeholdsseksjon til å holde enheten din i tilfredsstillende bruksstand. All vedlikeholdsinformasjon for motoren finnes i bruksanvisningen fra produsenten av motoren. Før du starter motoren må du ha lest den boken.



ADVARSEL: Før du inspiserer, justerer (unntatt forgasseren) eller reparerer, koble fra ledningen til tennpluggen.

Generelle anbefalinger

Garantien på snøfreseren dekker ikke gjenstander som har blitt feilaktig brukt eller ikke vedlikeholdt av brukeren. For å få fullt utbytte av garantien må brukeren vedlikeholde snøfreseren i tråd med instruksjoner gitt i denne instruksjonsboken.

Enkelte justeringer må foretas periodisk for å sikre ordentlig vedlikehold av snøfreseren.

Etter hver bruk

- Sjekk for løse eller skadde deler.
- Stram til løse fester.
- Sjekk og vedlikehold naver.
- Sjekk kontroller for å sikre at alle fungerer som de skal.
- Dersom noen deler er slitte eller skadede må de skiftes ut øyeblikkelig.
- Kontroller alle sikkerhets- og anvisningsmerker og -etiketter. Skift eventuelle merker eller etiketter som mangler eller ikke er lesbare.

Alle justeringer i Vedlikeholdsseksjonen i denne bruksanvisningen bør sjekkes minst en gang hver sesong.

Ved behov

Følgende justeringer bør foretas mer enn en gang hver sesong.

1. Justrer naverdrivbeltet etter de første 2–4 timene, gjenta midt i sesongen og to ganger per sesong deretter. Se "Hvordan justere naverdrivbeltet" i vedlikeholdsseksjonen.

Innsmøring

Hver 10. time (Figur 14)

1. Smør inn **Zerk tilpasninger (1)** med en fettspistol hver tiende time.
2. Hver gang en sikkerhetsbolt blir skiftet må også naverstangen smøres inn.
3. Smør inn alle dreibare punkter.

Hver 25. time

Kjeder

1. (Figur 1) Sett fartsspaken (6) til førstegir.
2. Tøm drivstofftanken for drivstoff. Sett snøfreseren opp med forsiden av naverhuset (4) ned.



ADVARSEL: Tøm drivstoffet uten-dørs, borte fra ild og flammer.

3. (Figur 22) Løsne boltene (3) på hver side av bunnpanelet (2).
4. Fjern bunnpanelet (2).
5. (Figur 15) Smør kjedene (5) med et kjedesmøremiddel.
6. Tørk sekskantsskafet og kjedehjul (6) med 5W30 motorolje.

BEMERK: Dersom fett eller olje kommer i kontakt med diskens drivplate (1) eller friksjonshjulet (3), kan skade oppstå. Tørk av overskytende olje eller fett med et alkoholbasert oppløsningsmiddel.

7. (Figur 22) Sett på bunnpanelet (2).
8. Stram til boltene (3) på hver side av bunnpanelet (2).

Deler som ikke skal smøres inn (Figur 15)

1. Smør ikke inn sekskantsskafet og tannhullet (6). Alle lagre er smurt inn en gang for alle. Før lagring, legg litt 5W-30 motorolje på en klut og tørk over sekskantsskafet og tannhullet (6) for å unngå rust.
2. Dersom fett eller olje kommer i kontakt med diskens drivplate (1) eller friksjonshjulet (3), kan friksjonshjulet (3) bli skadet. Pass nøye på å holde diskens drivplate (1) og friksjonshjulet (3) rent.

OBS! Påføring av fett eller olje på ovennevnte komponenter kan føre til tilskitning av friksjonshjulet (3). Dersom diskens drivplate (1) eller friksjonshjulet (3) blir forurenset med fett eller olje vil det føre til skade på friksjonshjulet.

3. Navergirkassen er ferdig innsmurt fra fabrikk, og trenger ingen ytterligere smøring. Dersom smurningen av noen grunn lekker ut må navergirkassen undersøkes av et fabrikkautorisert servicesenter.

Hvordan justere høyden på underlagsbeskyttelsen (Figur 1)

Denne snøfreseren er utstyrt med to høyde-justerbare underlagsbeskyttere (7). Disse underlagsbeskytterne hever fronten på snøfreseren. For bruk på normalt hardt underlag, så som fortau og oppkjørsel, juster underlagsbeskytterne som følger.

1. Sett snøfreseren på flatt underlag.
2. Pass på at begge hjulene har like mye luft. Korrekt lufttrykk er 1–1,25 BAR (14–17 PSI). Overstig aldri maksimumsstørrelsen på lufttrykk som er angitt på siden av hjulet.
3. Sett ekstra sikkerhetsbolter (finnes i deleposen) under hver ende av skrapestangen (15) ved siden av de justerbare underlagsbeskytterne (7).
4. Løsne på monteringsmutterne (16) som holder fast de justerbare underlags-beskytterne (7). For å senke fronten på snøfreseren, hev begge de justerbare underlagsbeskytterne (7). Stram til monteringsmutrene (16).

BEMERK: For steinete eller ujevnt underlag, hev fronten på snøfreseren ved å senke de justerbare underlagsbeskytterne (7) ned.



ADVARSEL: Vær sikker på at du har god klaring over bakken for det området som skal ryddes. Ting som grus, steiner eller annet kan bli slynget med tilstrekkelig kraft til å påføre personskade, skade på eiendom eller på snøfreseren, dersom de blir truffet av freseren.

Hvordan justere skrapestangen (Figur 1)

Etter en hel del bruk vil skrapestangen (15) bli slitt. Skrapestangen (15), som underlags-beskytterne, må justeres slik at det er 3 mm (1/8") klaring mellom skrapestangen (15) og fortauet eller området som skal ryddes for snø.

1. Sett snøfreseren på flatt underlag.
2. Pass på at begge hjulene har like mye luft. Korrekt lufttrykk er 1–1,25 BAR (14–17 PSI). Overstig aldri maksimalt lufttrykk, som er angitt på siden av hjulet.
3. Løsne på låseboltene og mutrene som holder skrapestangen (15) fast til naverhuset (4).
4. Juster skrapestangen (15) slik at det er 3 mm (1/8") klaring mellom skrapestangen (15) og fortauet eller området som skal ryddes.
5. Stram til låseboltene og mutrene. Påse at skrapestangen (15) står i parallell med underlaget, altså området som skal ryddes.
6. For å øke levelengden til skrapestangen (15), kan man ta av og montere skrapestangen (15) på igjen i motsatt retning.

Hvordan sjekke og justere kablene

Trektdrivkabelen og naverdrivkabelen er justerte fra fabrikk. Ved normal bruk kan en kabel bli strukket, og de må derfor sjekkes og justeres som beskrevet i det følgende.

Hvordan sjekke kablene (Figur 16)

1. For å sjekke riktig justering, koble "Z" tilpasningen (1) fra drivspaken (2).
2. Flytt drivspaken (2) forover inntil drivspaken (2) er i kontakt med plaststopperen (3).
3. Kontrollkabelen er riktig justert dersom midten av "Z" tilpasningen (1) er på linje med (4) hullet i drivspaken (2) og det ikke er noe slakket/heng i kabelen.

Hvordan justere naverdrivkabelen

1. Tøm drivstofftanken for drivstoff. Sett snøfreseren opp med forsiden av naverhuset ned.



ADVARSEL: Tøm drivstoffet uten-dørs, borte fra ild og flammer.e.

2. (Figur 16) Koble "Z" tilpasningen (1) fra drivspaken (2).
3. (Figur 17) Løft opp fjærdekslet for å komme til fjæren (5). Dytt kabelen (6) gjennom fjæren (5) slik at den firkantede enden (7) på kabelen (6) kommer frem.
4. Hold den firkantede enden (7) fast med nebbetangen, og juster låsemutteren (8) inn eller ut inntil overflødig slakk er borte.
5. Dra kabelen (6) tilbake gjennom fjæren (5).
6. (Figur 16) Koble "Z" tilpasningen (1) til drivspaken (2).

BEMERK: Når naverdrivbeltet justeres eller skiftes ut, skal kabelen kontrolleres og justeres.

Hvordan justere trektdrivkabelen

1. Fjern drivstoffet fra drivstoffbeholderen. Sett snøfreseren opp med forsiden av naverhuset ned.



ADVARSEL: Drivstoffet skal dreneres bort fra ild eller flamme.

2. (Figur 22) Løsne boltene (3) fra hver side av bunnpanelet (2).
3. Fjern bunnpanelet (2).

4. (Figur 16) Koble fra "Z" tilpasningen (1) fra trektdrivspaken (2).
5. (Figur 27) La kabelstøvelen (3) gli av kabeljusteringsholderen (4).
6. Trykk på bunnen av trektdrivkabelen (5) gjennom kabeljusteringsholderen (4) inntil "Z" kroken (6) kan fjernes.
7. Fjern "Z" kroken (6) fra kabeljusteringsholderen (4). Flytt "Z" kroken (6) ned til neste justeringshull.
8. Trekk trektdrivkabelen (5) opp gjennom kabeljusteringsholderen (4).
9. Dra kabelstøvelen (3) over kabeljusteringsholderen (4).
10. (Figur 16) Monter "Z" tilpasningen (1) på trektdrivspaken (2).
11. (Figur 15) For å kontrollere justeringen, trykk ned på drivspaken og kontroller drivfjærens (7) lengde "A". Ved korrekt justering vil drivfjærens (7) lengde "A" være:
minimum 76 mm (3 tommer)
maksimum 85 mm (3–3/8 tommer).
12. (Figur 22) Sett på bunnpanelet (2).
13. Stram boltene (3) på hver side av bunnpanelet (2).

Hvordan justere beltene

Beltene vil strekkes ved normal bruk. Dersom du trenger å justere beltene fordi de er slitte eller strukkede, gå frem som følger.

Hvordan justere naverdrivbeltet

Dersom snøfreseren ikke slynger opp snø, sjekk justeringen av naverdrivkabelen. Se "Hvordan sjekke og justere kablene" i vedlikeholdsseksjonen. Dersom justeringen er riktig, sjekk tilstanden til naverdrivbeltet. Hvis naverdrivbeltet er skadet må det skiftes ut. Se "Hvordan skifte ut beltene" i vedlikeholdsseksjonen. Dersom naverdrivbeltet henger løst, juster som følger.

1. Koble fra ledningen til tennpluggen.
2. (Figur 18) Ta ut skruen (2) fra beltedekselet (1). Fjern beltedekselet (1).
3. (Figur 19) Løsne mutteren (2) på drivhjulet (3) Flytt drivhjulet (3) 3 mm (1/8") mot naverdrivbeltet (4).
4. Stram til mutteren (2).
5. (Figur 21) Slipp opp naverdrivspaken. Sjøkk spennet på naverdrivbeltet (4). Ved korrekt justering kan du bøye naverdrivbeltet (4) 12,5 mm (1/2 tomme) (5) ved å dra i det med moderat styrke. Dersom justeringen ikke er riktig, gjenta justeringen.
6. (Figur 18) Sett på igjen beltedekselet (1). Stram til skruen (2).
7. Sjekk justeringen av naverdrivkabelen. Se "Hvordan sjekke og justere kablene" i vedlikeholdsseksjonen.
8. Koble til ledningen til tennpluggen.

Trektdrivbeltet

Trektdrivbeltet har et konstant fjærspenn og trenger ingen justering. Dersom trektdrivbeltet glipper må det skiftes. Se "Hvordan skifte ut beltene" i vedlikeholdsseksjonen.

Hvordan skifte ut beltene

Drivbeltene er spesiallagede og må erstattes med originale reservebelter fra fabrikk, som du kan skaffe fra ditt nærmeste autoriserte servicesenter.

Enkelte steg krever assistanse fra en annen person.

Hvordan skifte ut naverdrivbeltet

Dersom naverdrivbeltet er skadet vil ikke snøfreseren slynge ut snø. Skift ut det skadede beltet som følger.

1. Koble fra ledningen til tennpluggen.
2. **(Figur 22)** Fjern **boltene (1)** på hver side av **bunnpanelet (2)**.
3. Løsne **boltene (3)** fra hver side av **bunnpanelet (2)**.
4. Fjern **bunnpanelet (2)**.
5. **(Figur 18)** Ta ut **skruen (2)** fra **belteledekslet (1)**. Fjern **belteledekslet (1)**.
6. **(Figur 19)** Løsne på **beltelederen (9)**. Dra **beltelederen (9)** bort fra **naverdrivhjulet (10)**.
7. Dra **tomgangstrinsen (3)** bort fra **naverdrivbeltet (4)** og la **naverdrivbeltet (4)** gli av **tomgangstrinsen (3)**.
8. Fjern **naverdrivbeltet (4)** fra **motortrinsen (11)**. Det er mulig at **motortrinsen (11)** delvis må dreies for å fjerne **naverdrivbeltet (4)**.
9. **(Figur 20)** Fjern de fire øverste **boltene (21)**, som holder **naverhuset (22)** og **motorkassen (23)** sammen. Løsne på de to nederste **boltene (24)**. **Naverhuset (22)** og **motorkassen (23)** kan nå skilles fra hverandre for å fjerne beltet
10. **(Figur 19)** Fjern det gamle **naverdrivbeltet (4)** fra **naverdrivhjulet (10)**. Skift ut **naverdrivbeltet (4)** med et originalt reservebelte fra fabrikk, som kan skaffes fra et autorisert servicesenter.
11. Monter det nye **naverdrivbeltet (4)** på **naverdrivhjulet (10)**.
BEMERK: La en person holde naverklutchspaken i INNKOBLET posisjon når du skal sette sammen naverhuset (22) og motorkassen (23). Dette vil skille tomgangsarmen og tomgangstrinsen (3) nok fra hverandre til å sette naverdrivhjulet tilbake på plass.
12. Sett sammen **naverhuset (22)** og **motorkassen (23)** med de fire **boltene (21)** som ble fjernet i skritt 9. Stram til de to nederste **boltene (24)**.
13. Monter **naverdrivbeltet (4)** på **motortrinsen (11)**.
14. Anbring **naverdrivbeltet (4)** under **tomgangstrinsen (3)**.
15. Juster **naverdrivbeltet (4)**. Se "Hvordan justere naverdrivbeltet" i vedlikeholdsseksjonen.
16. Juster **beltelederen (9)**. Se "Hvordan justere beltelederen" i vedlikeholdsseksjonen.
17. **(Figur 18)** Sett på **belteledekslet (1)**. Skru fast **skruen (2)**.
18. **(Figur 22)** Monter **bunnpanelet (2)**.
19. Monter **boltene (1)** på hver side av **bunnpanelet (2)**.

20. Stram til **boltene (1)** og **boltene (3)** på hver side av **bunnpanelet (2)**.
21. Sjekk justeringen av kablene. Se "Hvordan sjekke og justere kablene" i vedlikeholdsseksjonen.
22. Koble til ledningen til tennpluggen.

Hvordan skifte ut trekdrivbeltet

Dersom snøfreseren ikke vil gå forover, undersøk om trekdrivbeltet er slitt eller skadet. Dersom trekdrivbeltet er slitt eller skadet, skift ut beltet på følgende måte.

1. Koble fra ledningen til tennpluggen.
2. Ta av naverdrivbeltet. Se "Hvordan skifte ut naverdrivbeltet" i vedlikeholdsseksjonen.
3. **(Figur 19)** Fjern **e-ringen (17)** fra en av **svingplattens akselstenger (18)**. Fjern **svingplattens akselstang (18)** slik at svingplaten kan svinge fremover.
4. Fjern **trekkdrivfjæren (16)**.
5. Fjern det gamle **trekkdrivbeltet (13)** fra **trekkdrivhjulet (14)** og fra **motortrinsen (15)**. Skift ut **trekkdrivbeltet (13)** med en original reservedel fra fabrikk, som du kan skaffe fra et autorisert servicesenter.
6. Sett det nye **trekkdrivbeltet (13)** på **trekkdrivhjulet (14)** og på **motortrinsen (15)**.
7. Påse at **trekkdrivhjulet (12)** er riktig innstilt i forhold til **trekkdrivbeltet (13)**.
8. Fastgjør **trekkdrivfjæren (16)**.
9. Monter **svingplattens akselstang (18)** og fastgjør med **e-ringen (17)** som ble fjernet tidligere.
10. **(Figur 32)** Bunnen av **svingplaten (20)** skal sitte mellom **sammenstillingsflikene (19)**. Sørg for at **svingplaten (20)** sitter fast.
BEMERK: Kontroller om svingplaten sitter mellom sammenstillingsflikene dersom enheten ikke kobles etter utskifting av trekdrivbeltet.
11. **(Figur 19)** Sett inn og juster **naverdrivbeltet (4)**. Se "Hvordan skifte ut naverdrivbeltet" i vedlikeholdsseksjonen.
12. Juster **beltelederen (9)**. Se "Hvordan justere beltelederen" i vedlikeholdsseksjonen.
13. **(Figur 22)** Sett på **bunnpanelet (2)**.
14. Stram **boltene (3)** på hver side av **bunnpanelet (2)**.
15. **(Figur 18)** Sett på **belteledekslet (1)**. Skru fast **skruen (2)**.
16. Sjekk justeringen av kablene. Se "Hvordan sjekke og justere kablene" i vedlikeholdsseksjonen.
17. Koble til ledningen til tennpluggen.

Hvordan justere beltelederen

1. Koble fra ledningen til tennpluggen.
2. **(Figur 18)** Ta ut **skruen (2)**. Fjern **belteledekslet (1)**.
3. **(Figur 1)** Aktiver **naverdrivspaken (5)**.
4. **(Figur 23)** Mål avstanden mellom **beltelederen (2)** og **naverdrivbeltet (3)**. Riktig avstand (4) er 3 mm (1/8 tomme).
5. Dersom en justering er nødvendig, løsne monteringsbolten for **beltelederen (2)**. Flytt **beltelederen (2)** til riktig posisjon (4). Skru til monteringsbolten for **beltelederen (2)**.

6. **(Figur 18)** Sett på **belteledekslet (1)**. Skru fast **skruen (2)**.
7. Koble til ledningen til tennpluggen.

Hvordan justere eller skifte ut friksjonshjulet

Hvordan sjekke friksjonshjulet

Dersom snøfreseren ikke vil gå forover, undersøk trekdrivbeltet, trekdrivkabelen og friksjonshjulet. Dersom friksjonshjulet er slitt eller skadet må det skiftes ut. Se "Hvordan skifte ut friksjonshjulet" i denne seksjonen. Dersom friksjonshjulet ikke er slitt eller skadet, sjekk følgende.

1. **(Figur 1)** Tøm drivstofftanken for drivstoff. Sett snøfreseren opp med forsiden av **naverhuset (4)** ned.



ADVARSEL: Tøm drivstoffet uten-dørs, borte fra ild og flammer.

2. Koble fra ledningen til tennpluggen.
3. **(Figur 22)** Fjern **boltene (1)** på hver side av **bunnpanelet (2)**.
4. Løsne **boltene (3)** på hver side av **bunnpanelet (2)**.
5. Fjern **bunnpanelet (2)**.
6. **(Figur 1)** Sett **fastspaken (6)** i lavestel hastighet fremover.
7. **(Figur 24)** Merk stillingen til **friksjonshjulet (4)**. Riktig stilling "A" fra høyre side av **friksjonshjulet (4)** til yttersiden av motorkassen er:

Dekkestørrelse	Avstand "A"
12 og 13 tommer	10,5 cm (4-1/8")
16 tommer	10,95 cm (4-5/16")

Dersom **friksjonshjulet (4)** ikke er i riktig stilling, juster som følger.

Hvordan justere friksjonshjulet

1. **(Figur 1)** Plasser **fastspaken (6)** i lavestel hastighet fremover.
2. **(Figur 9)** Løsne på **sekskantlåsemunten (9)** på **fastspaken (2)**. Fjern **kuleleddet (6)** fra **skiftetaget (7)**.
3. **(Figur 24)** Flytt **friksjonshjulet (4)** til riktig stilling.
4. **(Figur 9)** Drei **adapteren (10)** inntil **kuleleddet (6)** er på linje med monteringshullet på **skiftetaget (7)**. Når de er på linje, fest **kuleleddet (6)** til **skiftetaget (7)**.
5. **(Figur 22)** Sett på **bunnpanelet (2)**.
6. Monter **boltene (1)** på hver side av **bunnpanelet (2)**.
7. Stram til **boltene (1)** og **boltene (3)** på hver side av **bunnpanelet (2)**.

Hvordan skifte ut friksjonshjulet

Dersom friksjonshjulet er slitt eller skadet vil ikke snøfreseren gå forover. Friksjonshjulet må da skiftes ut på følgende måte.



ADVARSEL: Smør ikke skivedrivplaten eller friksjonshjulet.

1. **(Figur 1)** Tøm drivstofftanken for drivstoff. Sett snøfreseren opp med forsiden av **naverhuset (4)** ned.



ADVARSEL: Tøm drivstoffet uten-dørs, borte fra ild og flammer.

2. Koble fra ledningen til tennpluggen.
3. **(Figur 28)** Fjern **boltene (1)** på hver side av **bunnpanelet (2)**.
4. Løsne **boltene (3)** på hver side av **bunnpanelet (2)**.
5. Fjern **bunnpanelet (2)**.
6. **(Figur 29)** Fjern **bakre avstiver (18)**.
7. **(Figur 30)** Bruk en 3/16 tommers sekskantnøkkel og fjern festeelementene som fester den høyre **akselbøylen (30)** til **akselen (34)**.
8. Fjern **høyre hjul (35)**, **aksel (34)**, **akselbøyle (30)** og **skive (31)**.
9. **(Figur 28)** Fjern **venstre hjul (10)** fra **akselen (11)**.
10. **(Figur 31)** Fjern festeelementene som fester **akselstøtten (32)** til **motorkassen**. Fjern **akselstøtten (32)** og **hylsen (33)**.
11. Løsne (ikke fjern) boltene som fester **akselagrene (19)** til motorkassen.
12. Fjern **clutch/drivkjedemontasjonen (20)** fra **akselen (11)**.
13. **(Figur 32)** Fjern de fire **boltene (16)** som holder **lagerne (7)** på plass på hver side av **sekskantsskaftet (8)**.
14. **(Figur 33)** Fjern **sekskantskaftet (8)** og **lagerne (7)**.
BEMERK: Legg merke til skivenes **(13)** plassering.
15. **(Figur 26)** Fjern de tre **festedelene (4)** som holder **friksjonshjulet (5)** på **navet (6)**.
16. **(Figur 26)** Fjern **friksjonshjulet (5)** fra **navet (6)**. La **friksjonshjulet (5)** gli av **sekskantskaftet (8)**.
17. Monter det nye **friksjonshjulet (5)** på **navet (6)** med festedelene som ble fjernet tidligere.
18. **(Figur 33)** Monter **sekskantskaftet (8)** og **lagerne (7)** med de fire boltene som ble fjernet tidligere.
Kontroller at skivene (17) sitter riktig i opprinnelig stilling. Sørg også for at de to skivene (13) er riktig sammenstilt med aktuatorens (14).
19. Kontroller at **sekskantskaftet (8)** dreier fritt.
20. For å montere resten av delene, reverser ovenstående skritt.
21. Kontroller justeringen av **friksjonshjulet**. Se "Hvordan justere friksjonshjulet" i dette avsnittet.
22. Kontroller at **friksjonshjulet** og diskens driveplate ikke har fett eller olje på.
23. **(Figur 28)** Sett på **bunnpanelet (2)**.

24. Monter **boltene (1)** på hver side av **bunnpanelet (2)**.
25. Stram til **boltene (1)** og **boltene (3)** på hver side av **bunnpanelet (2)**.
26. Koble til ledningen til tennpluggen.

Hvordan skifte ut sikkerhetsbolt i naver

Naverne er festet til naverstangen med spesielle sikkerhetsbolter. Disse sikkerhetsboltene er laget for å knekke og beskytte maskinen dersom et fremmedlegeme setter seg fast i naverhuset. Bruk ikke en hardere bolt, da dette vil utgjøre en trussel mot sikkerheten.



ADVARSEL: For sikkerhet og for å beskytte maskinen, bruk bare originale sikkerhetsbolter.

For å skifte ut en brukket sikkerhetsbolt, gjør som følger. Ekstra sikkerhetsbolter fulgte med i deleposen til snøfreseren.

1. **(Figur 1)** Sett **gasskontrollen (13)** til stopposisjonen. Koble ut alle kontroller.
2. Koble fra ledningen til tennpluggen. Påse at alle bevegelige deler har stoppet.
3. **(Figur 14)** Smør inn **Zerk tilpasningen (1)**, om slik finnes, på naverstangen med en fettpestol.
4. **(Figur 25)** Mål avstanden mellom **beltelederen (2)**, **mellomstykket (3)**, og **naverdrivbeltet (3)**. **Riktig avstand (4)** er 3 mm (1/8 tommers).
BEMERK: Mellomstykket (3) er ikke nødvendig dersom modellen har et 33" (84 cm) naverhus.
5. Koble til ledningen til tennpluggen.

Hvordan gjøre snøfreseren klar for lagring



ADVARSEL: Tøm ikke drivstoff innen-dørs, ved åpen ild eller når du røyker. Gassdamp kan føre til eksplosjon eller brann.

Slå opp i brukerhåndboken fra motorprodusenten (følger med enkelte modeller) og gjør deg kjent med viktig informasjon om vedlikehold eller oppbevaring hvis snøfreseren skal oppbevares i over lengre tid.

1. Tøm drivstofftanken.
2. La motoren gå inntil den går tom for drivstoff.
3. Snøfreseren skal ikke oppbevares med drivstoff på tanken i en bygning med antenneskilder som varmtvannsberedere, varmeapparater, tørketromler o.l. La motoren avkjøles hvis den skal oppbevares på et lukket sted.

4. Tøm for olje mens motoren er varm. Fyll veivhuset i motoren med ny olje.
5. Ta tennpluggen ut og tøm cirka 29,6 ml (1 oz) motorolje i sylindere. Sett inn tennpluggen og dra sakte for å fordele oljen.
6. Rengjør snøfreseren grundig.
7. Smør inn alle smørepunkter. Se vedlikeholdsseksjonen.
8. Påse at alle muttere, bolter og skruer er godt festet. Inspiser alle synlige, bevegelige deler og se etter skader, brudd og slitasje. Skift ut deler om nødvendig.
9. Dekk til udekkede metalldele på fresehuset, naver og fremdriver med antirust-spray/smøring.
10. Plasser enheten i en bygning som har god ventilasjon. Oppbevares i et rent og tørt område, men IKKE i nærheten av en ovn, et fyr eller vannoppvarmingsenhet som bruker et pilotlys eller annen gnistdannende enhet.
11. Dersom maskinen må lagres utendørs, sett klosser under snøfreseren for å sikre at hele maskinen kommer over bakken.
12. Dekk til snøfreseren med et passende beskyttelsesdeksel som ikke samler fuktighet. Bruk ikke plast.

Hvordan bestille reservedeler

Reservedelene er vist enten på de siste sidene i denne instruksjonsboken eller i en egen delelistebok.

Bruk bare reservedeler som er autorisert eller godkjent av produsenten. Ikke bruk festeanordninger eller tilleggsutstyr som ikke er spesifikt anbefalt for denne enheten. For å skaffe deg riktige reservedeler må du sende med modellnummeret (se navneplate)

For å få reservedeler, ta kontakt med din lokale forhandler.

Reservedeler til motor, gir eller transmisjonsaksel er tilgjengelige fra produsentens autoriserte servicesentre som kan finnes i de gule sidene i telefonkatalogen. Se også hver enkelt motor- eller transmisjonsgaranti for informasjon om bestilling av reservedeler.

Når du bestiller er følgende informasjon nødvendig:

- (1) Modellnummer
- (2) Serienummer
- (3) Delenummer
- (4) Antall

FEILSØKINGSTABELL

PROBLEM	ARSAK	KORRIGERING
Problemer med å starte	Defekt tennplugg.	Erstatt med ny tennplugg.
	Vann eller skitt i drivstoffsystemet.	Bruk forgasserens uttappings-skål til å tømme, og fyll på med nytt drivstoff.
Motoren går uregelmessig	Blokkert drivstoffledning, tom drivstofftank eller foreldet drivstoff.	Rens drivstoffledningen; sjekk drivstoffnivå; fyll på nytt drivstoff.
Motor kveles	Enheten går på CHOKE.	Sett choke-spaken til RUN.
Motor går uregelmessig; Tap av kraft	Vann eller skitt i drivstoffsystemet.	Bruk forgasserens uttappings-skål til å tømme, og fyll på med nytt drivstoff.
Kraftige vibrasjoner	Løse deler; skadet fremdriver.	Stopp motoren øyeblikkelig og koble fra ledningen til tennpluggen. Stram til alle bolter og utfør nødvendig reparasjon. Service på enheten skal utføres av en kvalifisert reparatør hvis vibrasjonene fortsetter.
Enheten drives ikke fremover	Drivbeltet henger løst eller er skadet.	Skift ut drivbeltet.
	Feiljustering av trekkdrivkabelen.	Juster trekkdrivkabelen.
	Slitt eller skadet friksjonshjul.	Skift ut friksjonshjulet.
Enheten freser ikke ut snø	Naverdrivbeltet henger løst eller er skadet.	Juster naverdrivbeltet; skift ut hvis det er skadet.
	Naverkontrollkabelen ikke riktig justert.	Juster naverkontrollkabelen.
	Sikkerhetsbolt brukket.	Skift ut sikkerhetsbolten.
	Fresekanal blokkert.	Stopp motoren øyeblikkelig og koble fra ledningen til tennpluggen. Rens fresekanalen og innsiden av naverhuset.
	Fremmedlegeme sitter fast i naver.	Stopp øyeblikkelig motoren og koble fra tennpluggledningen. Fjern fremmedlegemet fra naver.

INNEHÅLL

VARNINGSSYMBOLER OCH FÖRKLARINGAR	74
DRIFTSSYMBOLER OCH FÖRKLARINGAR	74
MONTERING	79
ANVÄNDNING	79
UNDERHÅLLSSHEMA	82
UNDERHÅLL	82
FELSÖKNINGSSHEMA	86

Illustrationerna (t.ex. figur 1) för denna handbok finns tillgängliga på omslagets insidor, före reservdelslistan.

Allmän information



Denna handbok har sammanställts för personer med vissa mekaniska kunskaper. Alla nödvändiga steg beskrivs inte (i likhet med flertalet servicehandböcker). Detaljerad information om hur man exempelvis lossar och drar åt bultar är ej nödvändig för personer med grundläggande mekaniska kunskaper. Lär och följ dessa anvisningar innan du använder maskinen.

Produktkunskaper: Bästa prestanda uppnås genom att ha goda kunskaper om maskinen och veta hur den fungerar. Granska illustrationerna medan du läser denna handbok. Lär dig var reglagen sitter och hur de fungerar. Följ alla driftsanvisningar och säkerhetsregler, så att du kan förhindra att olyckor inträffar. Bevara denna handbok för framtida bruk.

VIKTIGT: Många maskiner säljs förpackade i omonterat skick. Det är ägarens ansvar att säkerställa att monteringsanvisningarna i denna handbok följs helt och hållet. Andra maskiner kan köpas monterade. För sådana enheter är det ägarens ansvar att se till att de har monterats korrekt. Ägaren måste därför kontrollera maskinen noggrant och i enlighet med anvisningarna i denna handbok innan den tas i bruk.

Behöver du hjälp?

Kontakta din lokala återförsäljare, om du behöver ytterligare information om montering, drift eller service av din utrustning.

Denna handbok innehåller säkerhetsinformation som gör dig uppmärksam på faror och risker som förknippas med snöslungor samt hur du kan undvika dem. Snöslungan är utformad och avsedd för snöröjning och får ej användas för något annat syfte. Det är viktigt att du såväl som alla andra som använder maskinen läser och förstår dessa anvisningar.

VARNING

Motoravgaserna från denna produkt innehåller kemikalier som delstaten Kalifornien har fastställt som orsaker till cancer, fosterskador och andra fortplantningsskador.

Ett nyckelord (FARA, VARNING eller VAR FÖRSIKTIG) används tillsammans med varningssymbolen för att indikera sannolikheten till personskador samt deras möjliga svårighetsgrader. En varningssymbol kan dessutom användas för att illustrera en viss typ av fara.



FARA indikerar en fara som **kommer att leda till dödsfall eller allvarliga personskador om den inte undviks.**



VARNING indikerar en fara som **kan leda till dödsfall eller allvarliga personskador om den inte undviks.**



VAR FÖRSIKTIG indikerar en fara som **kan leda till smärre eller lindriga personskador om den inte undviks.**

VAR FÖRSIKTIG, tryckt utan varningssymbolen indikerar en situation som **kan leda till att utrustningen skadas.**

Maskinreglage och -funktioner (se figur 1)

Spak till drivhjul (1) - Väjl framåt eller bakåt.

Vevmontage (2) - Ändrar utkastarens riktning.

Utkastriktare (3) - Justerar hur långt snös slungas.

Utkastare (4) - Justerar den riktning i vilken snön slungas.

Skruinmatarens styrspek (5) - Start och stoppar skruvinmataren (snöuppsamling och -slungning), som också driver själva snöslungan.

Hastighetsväxlare (6) - Styr snöslungans fart.

Medar för höjjustering (7) - Justerar frigång för inmatningshuset.

Skärare (18) - (om snöslungan är utrustad med en) Skär en väg genom snö som är högre än inmatningshuset.

Brytbultar (19) - För att skydda motorn är speciella brytbultar konstruerade att brytas av då ett objekt fastnat i inmatningshuset. Användning av en hårdare, tåligare bult tar bort det skydd som brytbulten ger.

Spak till kastlängdsreglage (20) - Styr hur långt snön kastas.

Brytare för värmda handtag (21) - Slår på värmda handtag.

Motorfunktioner

Säkerhetsnyckel (8) - Måste sitta i för att motorn ska kunna startas.

Flödningsknapp (9) - Trycker in bränsle direkt i förgasaren för snabba starter vid kall väderlek.

Knapp till elstartmotor (10) - Används på elstartmodeller till att starta motorn.

Kopplingslåda (11) - På modeller med elstart, används för att koppla på 220V elsladd.

Dragstarthandtag (12) - Används för att starta motorn för hand.

Gasreglage (13) - (om snöslungan är utrustad med en) Kontrollerar motorvarv.

Stoppreglage (13) - (om snöslungan är utrustad med en) Används för att stoppa motorn.

Choke-reglage (14) - Används vid kallstart av motorn.

Varningssymboler och förklaringar

Dessa symboler används på maskinen och i driftshandboken. Granska dem och lär dig vad de betyder. En av dessa symboler tillsammans med ett nyckelord används som ett sätt att göra dig uppmärksam på möjliga faror och hur du kan undvika dem.

	Säkerhetsvarning – Identifierar säkerhetsinformation om faror som kan leda till personskador.
	Driftshandbok – Läs och förstå handboken innan du utför åtgärder eller använder maskinen.
	Roterande skruvmatare
	Roterande impeller
	Giftiga ångor
	Roterande kugghjul
	Kringflygande föremål
	Bibehåll säker avstånd till utrustningen.
	Vidrör aldrig roterande delar.
	Stäng av motorn och koppla ur tändkabeln innan du utför underhållsarbete eller reparationer.
	Brandrisk
	Explosionsrisk
	Risk för elstöt
	Het yta

Driftssymboler och förklaringar

Dessa symboler används på maskinen och i driftshandboken. Det är viktigt att du granskar dem och förstår vad de betyder. Underlåtenhet att förstå symbolerna kan leda till att du blir skadad.

	Olja		Framåt Neutral Bakåt
	Bränsle		Tändning på
	På / av		Tändning av
	Flödare		Tändningsnyckel
	Gasreglage		Tryck för att koppla in elstarten
	Choke av		Elstart
	Choke på		Motor – starta
	Stopp		Motor – kör
	Låg hastighet		Motor – avstängd
	Hög hastighet		
	Koppla in		
	Framdrivning		
	Skruvmatarens insamlare		
	Skruvmatarens koppling		
	Framdrivningskoppling		
	Koppla in		
	Koppla ur		
	Utkastare	Utkastriktare	
	VÄNSTER		HÖGER
	UPP		NED



FARA

Den roterande skruvmataren kan orsaka dödsfall eller allvarliga personskador.

Håll undan händer, fötter och kläder.

Rensning av en tilltäppt utkastare är riskfyllt.

- Försök aldrig avlägsna skräp eller snöklumpar från skruvmataren när den är inkopplad eller när motorn är igång.
- Stäng av motorn och koppla ur tändkabeln vid underhållsarbete på maskinen.
- Maskinen får ej lämnas utan uppsikt medan motorn är igång. Koppla alltid ur skruvmataren och framdrivningen, stäng av motorn och ta ur tändningsnyckeln.
- Håll barn, husdjur och andra borta från snöröjningsområdet när maskinen används. Barn är ofta nyfikna på maskinen och vill se den på närmare håll. Var medveten om alla närvarande personer.
- Håll alla lösa plagg på säkert avstånd från snöslungans och skruvmatarens framsida. Halsdukar, vantar, hängande snören, lösa kläder och byxor kan snabbt fångas upp i den roterande enheten, vilket kan leda till lemlästning. Täck över långt hår och ta av hängande smycken.
- Snöslungan är endast avsedd för snöröjning i långsam takt. Den får ej användas för annat än det avsedda syftet.
- Försök inte röja snö på tvåren på lutande plan. Var ytterst försiktig när du ändrar riktning på lutningar. Försök inte röja snö på branta lutningar.
- Snöslungan får ej användas på ytor ovanför marknivån, exempelvis på hustak, garage, verandor eller andra liknande byggnadsverk.



FARA

Föremål kan plockas upp av skruvmataren och kastas ut genom utkastaren.

Rikta aldrig utkastaren mot människor eller bilar och låt inga personer befinna sig framför snöslungan.

- Var medveten om din omgivning när du använder maskinen. Kom ihåg att föremål som ligger gömda under snön, t.ex. grus, dörrmattor, tidningar, leksaker och stenar, kan kastas ut genom utkastaren eller fastna i skruvmataren.
- Var alltid medveten om vilken riktning snön slungas i. Fotgängare, husdjur eller egendom som är i närheten kan skadas av kringflygande föremål.
- Bekanta dig med det område där du planerar att arbeta. Gränsa av gångvägar och infarter för att förhindra att egendom skadas av kringflygande föremål.
- Var försiktig när du röjer snö på områden som du inte känner till. Var uppmärksam på dolda faror och trafik.
- Om du har kört över ett främmande föremål måste omedelbart stänga av motorn, vänta tills alla rörliga delar har slutat rotera och kontrollera att inga delar har skadats. Om någonting har skadats måste reparationer utföras innan du startar om och använder snöslungan.
- Stäng av motorn, vänta tills alla rörliga delar har slutat rotera och använd alltid en pinne för att rensa utkastaren.
- Stäng av motorn om maskinen vibrerar på onormalt sätt. Vibrationer är vanligtvis ett tecken på problem. Be en auktoriserad återförsäljare om hjälp med reparationer (om nödvändigt).



FARA

Utkastaren innehåller en roterande impeller som slungar snön. Se till att aldrig rensa utkastaren med händerna eller när motorn är igång.

Fingrar kan snabbt fångas upp, vilket kan leda till traumatiska amputationer eller allvarliga rivsår.

- Att rensa utkastarkåpan är ett riskfyllt företag.
- Placera aldrig händerna i eller nära utkastaren.
- Stäng av motorn, vänta tills alla rörliga delar har slutat rotera och rensa sedan utkastaren med en pinne.
- Snöklumpar kan dölja andra hinder i utkastaren och leda till att maskinen, impellern eller skruvmataren skadas. Var försiktig när du startar om maskinen efter bortrensning av snö.



VARNING

Motorer avger koloxid, en lukt- och färglös giftgas.

Inandning av koloxid kan leda till illamående, svimning eller dödsfall.

- Starta och kör motorn utomhus.
- Starta eller kör aldrig motorn i kringbyggda utrymmen, även om dörrar eller fönster är öppna.

**VARNING**

Bensin och bensinångor är mycket lättantändliga och utgör explosionsrisker.

Brand eller explosion kan leda till allvarliga brännskador eller dödsfall.

VID BRÄNSLEPÅFYLNING

- Stäng av motorn och låt den svalna under minst två (2) minuter innan du tar av tanklocket.
- Fyll på bränslet utomhus eller i ett välventilerat utrymme.
- Överfyll inte tanken.
- Håll bränslet på avstånd från gnistor, öppna lågor, tändlågor, hög värme och andra antändningskällor.
- Kontrollera bränsleledningarna, tanken, tanklocket och fattningarna ofta med avseende på sprickor och läckage. Byt ut delarna efter behov.

VID MOTORSTART

- Se till att tändstiftet, ljuddämparen, tanklocket och luftrenaren sitter på plats.
- Dra inte runt motorn om tändstiftet inte sitter i.
- Om bränsle läcker ut måste du vänta tills det har avdunstat innan du startar motor.
- Det kan hända att motorn flödar. Ställ i så fall om choken i läget OPEN/RUN (öppen/kör), ställ om gasreglaget till FAST (hög hastighet) och dra runt motorn tills den startar.

VID MASKINDRIFT

- Stäng inte av motorn genom att choka förgasaren.

VID MASKINTRANSPORT


- Transportera maskinen med TOM bränsletank.

VID FÖRVARING AV BRÄNSLE ELLER EN MASKIN MED BRÄNSLE I TANKEN

- Förvara bränslet eller maskinen på avstånd från värmepannor, spisar, vattenvärmare eller andra apparater med tändlågor samt andra antändningskällor, eftersom dessa kan antända bensinångor.

REGLER FÖR SÄKERT HANDHAVANDE



WARNING: Denna maskin kan kapa av händer och fötter och slunga ut föremål. Läs dessa säkerhetsföreskrifter och följ dem noga. Att misslyckas med att följa dessa föreskrifter kan leda till att du tappar kontroll över maskinen, till allvarliga personskador eller döden, eller skador på egendom och utrustning. Triangeln  i texten betecknar viktiga uppmaningar eller varningar som måste följas.

Säkert handhavande av snöslungor

VIKTIGT: Säkerhetsnormerna kräver förarnärvaroreglage för att minimera risken för skada. Din snöslunga är utrustad med sådana reglage. Försök inte att koppla bort funktionen för detta förarnärvaroreglage under några som helst omständigheter.

Utbildning

1. Läs, förstå och följ alla instruktioner på maskinen och i handböckerna innan du använder denna slunga. Gör dig bekant med alla reglage och hur utrustningen ska användas. Lär dig hur du snabbt stannar slungan och kopplar ur reglagen.
2. Låt aldrig barn använda snöslungan. Låta aldrig personer använda snöslungan utan noggrann genomgång.
3. Använd aldrig snöslungan i närheten av andra, särskilt små barn och husdjur.
4. Var försiktig, speciellt då du backar, för att undvika att halka eller falla.

Förberedelse

1. Kontrollera noga det område där snöslungan ska användas och ta bort dörmattor, kälkar, snowboards, ledningar och andra främmande föremål.
2. Frikoppla alla reglage innan motorn startas.
3. Använd aldrig snöslungan utan att vara rätt klädd. Bär en fotbeklädnad som förbättrar greppet på halt underlag. Undvik löst sittande kläder som kan fastna i rörliga delar.
4. Handskas försiktigt med bränslet; det är mycket brandfarligt.
 - a. Använd en för ändamålet godkänd behållare.
 - b. Fyll aldrig på bränsle när motorn är i gång eller fortfarande varm.
 - c. Fyll bränsletanken utomhus och iakttag största försiktighet. Fyll aldrig bränsletanken inomhus. Skruva fast tanklocket ordentligt och torka upp utspillt bränsle.
 - d. Fyll aldrig behållare inne i ett fordon eller på ett flak med plastbeklädnad. Placera alltid behållare på marken på avstånd från ditt fordon innan du fyller på.
 - e. Ta bort bensindrivna utrustning från lastbil eller släpvagn och tanka den på marken, om det är möjligt. Om det inte är möjligt, fyll på den på ett fordon med en bärbar behållare, hellre än från ett bensinpumpsmunstycke.
 - f. Håll hela tiden munstycket inne i bränsletanks- eller behållaröppningen tills påfyllningen är klar. Använd inte en munstycksanordning som kan öppnas och stängas.
 - g. Skruva fast tanklocket ordentligt och torka upp utspillt bränsle.
 - h. Byt kläder omgående om du spillt bränsle på kläderna.
5. Använd förlängningssladdar och uttag enligt tillverkarens specifikation för all utrustning med elmotorer eller elektriska startmotorer.
6. Justera höjden på inmatningshuset så att det går fritt vid grusgångar.
7. Försök aldrig göra justeringar medan motorn går (utom då detta särskilt rekommenderas av tillverkaren).
8. Låt motorn och snöslungan anpassa sig till utomhustemperaturen innan snöröjningen påbörjas.

9. Använd alltid skyddsglasögon eller visir under arbetet eller vid justering eller reparation för att skydda ögonen från främmande föremål som kan kastas från maskinen.
10. Använd aldrig snöslungan utan korrekta skydd eller utan att andra säkerhetsanordningar finns på plats och fungerar.

Drift

1. Håll aldrig händer eller fötter nära eller under roterande delar. Undvik alltid utkastöppningen.
2. Var alltid försiktig när du kör på eller korsar grusgångar, trottoarer eller vägar. Var uppmärksam på dolda faror eller trafik.
3. Om snöslungan träffar ett främmande föremål, stanna motorn, lossa tändkabeln från tändstiftet, dra ur sladden på elmotorer och undersök snöslungan noga och leta efter eventuella skador. Reparera skadorna innan snöslungan startas och används igen.
4. Stäng av motorn och kontrollera omedelbart orsaken, om snöslungan börjar vibrera onormalt. Vibrationer är vanligen ett tecken på problem.
5. Stäng av motorn då du lämnar förarpositionen, innan du rensar inmatningshuset eller utkastöppet och då du utför reparationer, justeringar eller besiktningar.
6. Vid rensning, reparation eller besiktning, kontrollerar du först att inmataren och alla rörliga delar stannat helt. Lossa tändstiftskabeln och förvara den på avstånd från tändstiftet för att undvika oavsiktlig start.
7. Kör inte motorn inomhus utom vid start av motorn och vid transport av snöslungan in eller ut ur byggnaden. Öppna ytterdörrarna. Avgaser är farliga (innehåller KOLMONOXID, en LUKTLÖS och DÖDLIG GAS).
8. Iakttag största försiktighet vid användning i sluttningar. Undvik röja snö i branta sluttningar.
9. Använd aldrig snöslungan utan korrekta skydd eller utan att andra säkerhetsanordningar finns på plats och fungerar.
10. Rikta aldrig utkastet mot människor eller ytor där egendomsskador kan inträffa. Håll barn och andra på avstånd.
11. Överbelasta inte maskinens förmåga genom att försöka röja bort snö för fort.
12. Kör aldrig maskinen för fort vid transport på halt underlag. Kontrollera bakåt och var försiktig vid backning.
13. Koppla ur insamlaren/snöskraven då snöslungan transporteras eller inte används.
14. Använd endast redskap och tillbehör som är godkända av snöslungans tillverkaren (t ex hytter, snökedjor, osv.).
15. Använd aldrig snöslungan utan att du har god sikt eller belysning. Se till att du alltid har god balans och ett stadigt tag om handtagen. Gå, spring aldrig.
16. Vidrör aldrig en varm motor eller ljuddämpare.
17. Använd aldrig snöslungan nära inhägnader av glas, bilar, fönsterrutor, sluttningar eller liknande utan korrekt justering av utkastörets vinkel.
18. Rikta aldrig utkastaren mot åskådare. Låt aldrig någon stå framför maskinen.
19. Lämna aldrig snöslungan med motorn igång utan tillsyn. Frikoppla alltid snöschraven och alla drivreglage, stäng av motorn och ta ur tändningsnyckeln.
20. Använd inte snöslungan om du är påverkad av alkohol eller medicin.
21. Kom ihåg att föraren är personligen ansvarig för olyckor som drabbar andra personer eller egendom.

22. Data visar att förare på 60 år eller äldre är inblandade i en stor andel av personsador som har att göra med motordriven utrustning. Dessa förare bör bedöma sin förmåga att använda maskinen på ett säkert sätt för att undvika att skada sig själva och andra.
23. Bär INTE långa halsdukar eller löst sittande kläder som kan fastna i de rörliga delarna.
24. Snön kan dölja hinder. Se till att du tagit bort alla hinder från den yta som ska röjas.

Barn

Tragiska olyckor kan inträffa om föraren inte är uppmärksam på barns närvaro. Barn tycker ofta om att titta på snöslungor och hur de används. Utgå aldrig från att barn stannar där du senast såg dem.

1. Håll barn borta från området och under övervakning av en annan ansvarsfull vuxen.
2. Var uppmärksam och stäng av motorn om barn kommer in på området.
3. Låt aldrig barn använda snöslungan.
4. Var extra försiktig vid tvåra hörn, buskar, träd eller andra föremål som kan hindra sikten.

Rengöring av ett igensatt utkaströr

Den vanligaste orsaken till personskada som förekommer i samband med snöröjning är handkontakt med den roterande snöskruven inuti utkaströret. Använd aldrig handen för att rensa utkaströret.

Gör så här för att rensa utkastet:

1. STÅNG AV MOTORN.
2. Vänta i 10 sekunder för att vara säker på att snöskruven har slutat snurra.
3. Använd alltid ett rensverktyg, aldrig händerna.

Service, underhåll och förvaring

1. Kontrollera regelbundet att skärbultar och andra bultar är ordentligt åtdragna för att vara säkra på att snöslungan är i säkert arbetsskick.
2. Förvara aldrig maskinen med fylld tank i en byggnad där det finns antändningskällor t.ex. varmvattenberedare, element eller torktumlare. Låt motorn kallna innan snöslungan ställs in i ett förråd.

3. Kontrollera alltid handboken för viktiga åtgärder om snöslungan ska ställas upp under en längre period.
4. Underhåll eller byt vid behov ut varnings- och anvisningsdekaler.
5. Låt maskinen gå under några minuter efter användning för att undvika att insamlaren/snöskruven fryser fast.
6. Försök inte starta motorn om bränsle spills ut, utan flytta bort maskinen från spillområdet och undvik öppen eld eller antändningskällor tills bensenångorna försvunnit.
7. Iakttag alltid stor försiktighet vid påfyllning och hantering av bränsle när enheten tankas efter transport eller uppställning.
8. Följ alltid instruktionerna i handboken vid förberedelse för uppställning innan snöslungan ställs undan för kortare eller längre perioder.
9. Följ alltid handbokens instruktioner för korrekta åtgärder vid start- av motor då snöslungan börjar användas igen efter uppställning.
10. Hålla alla skruvar och muttrar åtdragna och håll maskinen i gott skick.
11. Gör inga ändringar på säkerhetsanordningar. Kontrollera deras funktion regelbundet och utför nödvändiga reparationer om de inte fungerar tillfredställande.
12. Delar kan slitas ut, förstöras eller försämrats. Kontrollera ofta delarna och byt vid behov ut dem mot av tillverkaren rekommenderade reservdelar.
13. Kontrollera ofta reglagens funktion. Justera och serva vid behov.
14. Använd endast av tillverkaren godkända reservdelar vid reparation.
15. Följ alltid tillverkarens instruktioner för inställningar och justeringar.
16. Endast auktoriserade serviceverkstäder bör genomföra service och reparationer.
17. Försök aldrig själv utföra reparationer på snöslungan om du inte blivit korrekt utbildad. Felaktiga serviceåtgärder kan resultera i riskfylld användning, skador på snöslungan och att tillverkarens garanti ogiltigförklaras.

Utsläpp

1. Avgaserna från denna produkt innehåller kemikalier som i vissa mängder kan förorsaka cancer, genetiska skador eller skada fortplantningsförmågan.
2. Se relevant information om avgasutsläpp och luftföroreningar på motorns avgasdekal, om sådan finns.

Tändningssystem

1. Detta tändningssystem uppfyller bestämmelserna i Canadian ICES-002.

MONTERING

Läs och följ instruktionerna för montering och justering av Er snöslunga. Alla monteringsförband ligger i reservdelspåsen. Släng inga delar innan enheten är färdigmonterad.



VARNING: Innan Ni utför något monterings- och underhållsarbete, ta loss kabeln från tändstiftet.

NOTERA: När höger och vänster nämns i instruktionsboken för att beskriva var en del sitter, ska detta ses från förarens plats bakom maskinen.

NOTERA: Vridmoment mäts i newtonmeter (Nm). Detta mått beskriver hur hårt en mutter eller bult måste vara åtdragen. Momentet mäts med en momentnyckel.

NOTERA: Fästelement och lösa delar visas i verklig storlek i figur 2 sidan 175.

NOTERA: Illustrationerna finns tillgängliga på sidan 2 och på sidorna 176 t.o.m. 181.

Verktyg

- | | |
|---|-----------------------|
| 1 | Kniv |
| 1 | Tång |
| 2 | 1/2 tums fast nyckel |
| 2 | 9/16 tums fast nyckel |
| 2 | 3/4 tums fast nyckel |
| 1 | Måttband eller linjal |
| 1 | Skruvmejsel |

Hur man tar ut snöslungan ur kartongen

- (Figur 3)** Bilden visar i vilken position snöslungan transporteras.
- Skär ner kartongens alla fyra hörn och lägg sidopanelerna horisontellt eller använd dragfliken för att avlägsna kartongen från basen.
- Klipp av och släng plastbanden som håller fast vevdelar och stag till hastighetsreglage.
- Leta fram och ta ur alla separat packade delar som ligger i kartongen.
- Ta bort och släng packmaterialet runt snöslungan.
- (Figur 1)** I transportsyfte är höjdjusteringsskidorna (7) fästade vid pallen. Avlägsna skruven (17) som håller fast varje skida (7) vid pallen.
- Ta tag i det nedre handtaget och dra snöslungan från transportpallen.

VAR FÖRSIKTIG: Backa INTE över kablar.

- Ta bort packmaterialet från handtagen.
- Kapa remmarna som håller fast **kablarna till kopplingskontrollen (1)** vid det nedre handtaget (2). Flytta kablarna från motorramen.

Hur man monterar handtag

- (Figur 4)** Lossa, men ta inte bort, muttrarna (1) i de översta hålen på det nedre handtaget (3).
- Ta bort fästelementen från de undre hålen på det nedre handtaget (3).
- (Figur 1)** För växelväljaren (6) till första växellåget.

- (Figur 4)** Hög det övre handtaget (2) till rätt position.
NOTERA: Se till att kablarna inte kläms fast mellan det övre och undre handtaget.
- Montera fästelementen som togs bort i steg 2. DRAG EJ åt förrän alla fästelement är på plats.
- Dra åt alla muttrar och bultar.

Hur man installerar hastighetsreglaget

- (Figur 9)** Fäst kulleleden (6), nederst på hastighetsreglaget (2), på växelgaffeln (7). Fästelementen (8) är fästa vid kulleleden (6) på fabriken.
Längden på kulleleden (6) och hastighetsreglaget (2) har förinställts på fabriken. Om en justering är nödvändig, lossar man muttern (9). Ta bort fästelementen (8) för att koppla loss kulleleden (6) från växelgaffeln (7). För att ändra längden på hastighetsreglaget (2), vrider man på adaptorn (10) för att justera till korrekt längd.
- (Figur 12)** Fäst handtaget (10) på hastighetsväljarreglaget (11). På vissa modeller är handtaget (11) fäst. För att låsa i läge, drag åt låsmuttern (10) mot handtagets (11) botten.
- Säkerställ att hastighetsväljarreglaget (5) fungerar korrekt. Flytta reglaget (5) genom samtliga växellågen.

Hur man installerar knopparna

NOTERA: Om knopparna redan har installerats, fortsätt till nästa avsnitt.

Knopp till kastlängdsreglage (Figur 12)

- Sätt knoppen till kastlängdsreglaget (1) tätt intill muttern (3) på stängen (2). På vissa modeller är kastlängdsreglaget (1) fäst.
- Se till att klacken (4) på kastlängdsreglage knoppen (1) pekar mot motorn.
- Dra åt muttern (2) mot botten av knoppen (1).

Hur man monterar utkastriktaren

- (Figur 6)** Avlägsna vagnsbulten (1).
- Lyft upp utkastriktaren (2) till driftsläge (3).
- Fäst utkastriktaren (2) vid flänsen (4), ed vagnsbultarna (1). Tillse att vagnsbultens (1) huvud monteras på utkastriktarens (2) insida.
- Fäst med brickorna (5) och låsmuttrarna (6).
- Dra åt låsmuttrarna (6) ordentligt.

NOTERA: Tillse att samtliga vagnsbultar är åtdragna. **DRA INTE FÖR HÅRT.**

Kontrollera kablarna

- (Figur 8)** Kontrollera kabeln till framåtdrivningen (1) och kabeln till inmatardrevet (2). Om nedre delen av kablarna har lossnat, skall de sättas tillbaka.
- (Figur 10)** Om övre delen till kablarna (5) lossat från drivspakarna (6), så sätt tillbaka dem i "Z"-fästet (7).

Hur man justerar höjden på medarna (Figur 1)

Snöslungan är utrustad med medar (7) som kan ställas in i höjddel, monterade på utsidan av inmatningshuset (4). För att justera höjden på medarna, se "Hur man justerar höjden på medarna" i avsnittet Underhåll.

Hur man ställer in längden på kablarna

Kablarna kommer förjusterade från fabrik och ytterligare justering ska inte behövas. När väl handtagen är i rätt arbetsposition kan dock kablarna bli för snäva eller för lösa. Om en justering skulle bli nödvändig, se "Hur man kontrollerar och justerar kablarna" i sektionen Service och Justering.

Hur man monterar skärare (om snöslungan är utrustad med en)

Skärare används till att skära en väggenom snön, djupare än inmatarhuset.

- (Figur 11)** Lossa vingmuttrarna (2) som håller fast skärarna (1) på inmatarhuset.
- Lyft upp skärarna (1) till önskad höjd.
- Dra åt vingmuttrarna (2).

Hur man förbereder motorn

NOTERA: När motorn levererades från fabriken var den fylld med olja. Kontrollera oljenivån. Fyll på olja om det behövs.



VARNING: Följ motortillverkarens instruktioner om vilken typ av bränsle och olja som ska användas. Använd alltid en säker bränsletank. Rök inte när Ni fyller på bensen. Fyll inte på bensen inomhus. Stanna motorn innan Ni fyller på bensen. Låt motorn svalna ett par minuter.

Se efter i motortillverkarens instruktioner vilken typ av bränsle och olja som skall användas. Läs informationen om säkerhet, användning, underhåll och förvaring, innan Ni använder enheten.

Viktigt! Före användning

- Kontrollera fästelementen. Se till att alla förband är åtdragna.
- På modeller med elektrisk start skickades enheten med startkabeln kopplad till motorn. Före användning, koppla bort startkabeln från motorn.

ANVÄNDNING

NOTERA: Illustrationerna finns tillgängliga på sidan 2 och på sidorna 176 t.o.m. 181.

VAR FÖRSIKTIG: Använd endast tillsatser och tillbehör som har godkänts av snöslungans tillverkare (t.ex. snökedjor, elstartsatser osv.).

Lär Er allt om snöslungan (Figur 1)

Läs denna Instruktionsbok och säkerhetsreglerna före användande av snöslungan. Jämför bilderna med snöslungan för att lära Er hur de olika kontrollerna och justeringsdonen sitter.

Hur man kontrollerar snöutkastningen



WARNING: Rikta inte utkastaren mot personer som står bredvid.



WARNING: Stanna alltid motorn innan rensning av utkastarröret eller inmataren sker och innan Ni lämnar snöslungan.

1. (Figur 5) För brytaren för elektrisk ränna (2) för att ange riktning (vänster till höger) för snöröjningen.
2. Dra spaken för utkastlängd (17) bakåt för att kasta ut snön högt och långt. Skjut spaken för utkastlängd (17) framåt för att kasta ut snön nedåt.

Hur man stannar snöslungan (Figur 1)

1. För att sluta kasta ut snö; släpp spaken till inmatardrevet (5).
2. För att stanna hjulen; släpp spaken till drivhjulet (1).
3. Stäng av motorn på modeller med gasreglage (13) genom att börja med att flytta gasreglaget (13) till läget för låg hastighet och sedan flytta det till STOPP-läget.
4. Stäng av motorn på modeller med tändningsbrytare (13) genom att ställa om tändningsbrytaren (13) i fränslaget läge.
5. Dra ut säkerhetsnyckeln (8).

VAR FÖRSIKTIG: Ställ inte om chokereglaget i läget CHOKE när motorn stannas, eftersom detta kan leda till baktändning eller motorskador.

Hur man gör för att köra framåt och bakåt (Figur 1)

1. För att ändra färdhastighet; släpp först drivhjulsspaken (1) och för sedan hastighetsväxlaren (6) till önskat läge.
2. Färdhastighet bestäms av snöförhållanden. Välja hastighet genom att föra hastighetsspaken (6) till passande läge i plattan.

Hastighet 1, 2 Blöt, Tung

Hastighet 3 Lätt

Hastighet 4 Mycket Lätt

Hastighet 5, 6 Endast transport.

3. För att gå framåt; Lägg i drivhjulsspaken (1). Håll ett stadigt grepp om spaken medan snöslungan börjar röra sig framåt. Styr snöslungan genom att föra handtaget åt antingen höger eller vänster. Försök inte att skjuta på snöslungan.
4. För att gå bakåt; koppla ur drivhjulsspaken (1).
5. För hastighetsväxlaren (6) till antingen första eller andra back-läge.
6. Lägg i drivhjulsspaken (1). **VIKTIGT:** Flytta inte hastighetsväxlaren (6) när drivhjulsspaken (1) ligger i.

Hur man slungar snö (Figur 1)

1. Lägg i spaken till inmatningsdrevet (5).
2. För att sluta slunga snö; koppla ur spaken till inmataren (5).



WARNING: Användning av en slunga kan resultera i att främmande föremål kastas ut och träffar ögonen, vilket kan orsaka svåra ögonskador. Använd alltid skyddsglasögon eller visir vid arbete med snöslungan. Vi rekommenderar skyddsglasögon av standardmodell eller visir över Era glasögon.

Hur man använder värmda handtag (Figur 5)



WARNING: Värmda handtag är avsedda för användning när temperaturen är under noll. Slå inte på elektriska handtag när temperaturen är över noll.

När temperaturen sjunker under noll, använd de värmda handtagen för att hålla händerna varma. För brytaren för värmda handtag (20) till läget ON (PÅ). Det tar ett par minuter innan handtagen blir varma. Eftersom värmda handtag kan bli mycket varma rekommenderar vi att du har på dig handskar. Om du märker att handtagen blir för varma, slå av värmda handtag.

Innan motorn startas

1. Lär Er snöslungans funktioner innan Ni utför service eller startar motorn. Var säker på att Ni förstår funktionen och placeringen av alla kontroller.
2. Kontrollera spänningen på kopplingskabeln innan motorn startas. Se "Hur man justerar kopplingskabeln" i avsnittet Underhåll i denna manual.
3. Se till att alla förband är åtdragna.
4. Se till att medarna för höjjustering är rätt inställda. Se "Hur man justerar höjden på medarna" i avsnittet Underhåll i denna manual.
5. Kontrollera lufttrycket i däcken. Rätt lufttryck är 1 BAR (14 PSI) till 1,25 BAR (17 PSI). Överskrid inte det maximala lufttryck som står på sidan av däckets.

Hur man stannar motorn (Figur 1)

1. Stäng av motorn på modeller med gasreglage (13) genom att börja med att flytta gasreglaget (13) till läget för låg hastighet och sedan flytta det till STOPP-läget.
2. Stäng av motorn på modeller med tändningsbrytare (13) genom att ställa om tändningsbrytaren (13) i fränslaget läge.
3. Dra ut säkerhetsnyckeln (8). Förvara tändningsnyckeln (8) på ett säkert ställe. Motorn startar inte utan att tändningsnyckel (8) sitter i.

VAR FÖRSIKTIG: Ställ inte om chokereglaget i läget CHOKE när motorn stannas, eftersom detta kan leda till baktändning eller motorskador.

Hur man startar motorn (Figur 1)

Modeller utrustade med elstart

NOTERA: Motorer med manuell start kan utrustas med ett elstartmotorpaket. Elstartpaket finns att köpa i närmaste auktoriserade servicecenter.



WARNING: Startmotorn är utrustad med jordad elsladd för 220 volts hushållsel. Sladden måste alltid vara ordentligt jordad, för att undvika elektrisk chock som kan skada användaren. Följ noggrant instruktionerna i avsnittet "Hur man startar motorn". Se till att Ni kopplar in sladden till ett jordat trekabeluttag. Om Ni inte säkert vet om huset har ett jordat trekabelsystem, fråga en licensierad elektriker. Om elsystemet i huset inte är jordat, får elstartmotorn inte på några villkor användas. Om elsystemet är jordat men det saknar jordad trekabeluttag att koppla start motorns sladd till, se till att en licensierad elektriker installerar ett jordat trekabeluttag. Då man ska sätta i en 220V-kontakt ska alltid kontakten till kopplingslådan (11) på motorn sättas i först. Sen kan andra änden av sladden sättas i ett jordat trehålsuttag. När sladden ska tas ur ska alltid kontakten till det jordade trehålsuttaget tas ur först.

Hur man startar en kall motor (Figur 1)

1. Kolla motoroljan.
2. Fyll vanlig blyfri bensin i bränsletanken. Se "Hur man förbereder motorn".
3. Se till att spaken till drivhjulet (1) och spaken till inmatardrevet (5) är i urkopplat läge.
4. Starta motorn på modeller med gasreglage (13) genom att flytta gasreglaget (13) till läget för hög hastighet. Kör motorn med gasreglaget (13) i läget för hög hastighet.
5. Starta motorn på modeller med tändningsbrytare (13) genom att ställa om tändningsbrytaren (13) i påslaget läge.
6. Sätt i säkerhetsnyckeln (8) i motorns nyckelhål. Se till att säkerhetsnyckeln (8) är helt insatt. Vrid inte tändningsnyckeln (8).
7. För choken (14) till fullt choke-läge.
8. (Elstart) Koppla elsladden till kopplingslådan (11) som sitter på motorn.
9. (Elstart) Koppla andra änden av elsladden till ett jordat, 220V-, trehålskontakt för växelström. (Se VARNINGEN i denna sektion).
10. Tryck in insprutningsknappen (9). Vänta två sekunder varje gång Ni tryckt in insprutningsknappen (9). Hur många gånger insprutningsknappen (9) måste tryckas in står i motortillverkarens instruktioner.
11. (Elstart) Tryck in knappen till elstartmotorn (10) tills motorn startar. Veva inte i mer än 5 sekunder i taget. Vänta en minut mellan motorstarter, så att startmotorn får tid att svalna.
12. (Manuell Start) Dra ut starthandtaget (12) sakta tills du känner motstånd och dra sedan snabbt för att starta motorn. Låt inte starthandtaget (12) ryckas tillbaka, utan håll istället i starthandtaget (12) tills det har dragits tillbaka.

13. Om motorn inte startar på 5 eller 6 försök, se instruktioner i "Felsökningsschema".
14. Låt motorn värmas upp under flera minuter. Justera **chokereglaget (14)** gradvis mot läget RUN medan motorn värms upp. Vänta tills motorn går jämnt före varje chokejustering.
15. (**Elstart**) Koppla först ur elsladden ur trehålskontakten. Koppla sedan loss elsladden från **kopplingslådan (11)**.
NOTERA: I temperaturer under -18°C (0°F), ska man låta motorn värma upp i flera minuter innan snöröjning påbörjas.
16. Kör alltid motorn med **gasreglaget (13)** (om snöslungan är utrustad med en) i snabba läget, då maskinen slungar snö.



WARNING: Kör aldrig motorn inomhus eller i instängda, dåligt ventilerade utrymmen. Avgaser från motorer innehåller koloxid, en luktlös, dödlig gas. Håll händer, fötter, hår och lösa kläder borta från de rörliga delarna på motorn och på snöslungan. Temperaturen på avgasrenaren och området där intill kan överstiga 66°C (150°F). Undvik dessa områden.

Hur man startar en varm motor (Figur 1)

Om motorn har varit igång och fortfarande är varm, använd inte **choken (14)** och tryck inte på **insprutningsknappen(9)**. Om motorn inte startar, följ instruktionerna "Hur man startar en kall motor".

NOTERA: Använd inte knappen till bränslesprutning (9) för att starta en varm motor.

Hur man startar en motor med en frusen elstarter (Figur 1)

Om elstartern har frusit och inte slår på motorn, följ nedanstående instruktioner.

1. Dra ut startsnöret så långt som möjligt ur startmekanismen.
2. Släpp starthandtaget så att snöret rycks tillbaka in i startmekanismen. Upprepa detta tills motorn startar.

En varm motor skapar kondensation i kallt väder. Du kan minska risken för att starthandtaget och reglagen fryser fast genom att utföra följande efter varje snöröjning.

1. Kör snöslungan i ytterligare ett par minuter efter användning för att förhindra att inmatarskruven fryser fast.
2. Stäng av motorn och låt den svalna under flera minuter.
3. Dra mycket sakta i startsnöret tills det tar emot och låt det rulla in igen. Upprepa detta tre gånger.
4. Torka bort all snö och fukt från förgasarkåpan runt reglagen och spakarna. Flytta också chokereglaget och starthandtaget fram och tillbaka flera gånger.

Hur man tar bort snö och skräp ur inmatarhuset



WARNING: Försök inte ta bort snö eller skräp som kan ha fastnat i inmatarhuset med bara händerna. Använd en pinne eller en kofot till att ta bort snö eller skräp.

(Figur 7) På vissa modeller sitter en **rengöringspinne (1)** är monterad överst på inmatarhuset. Använd rengöringspinnen till att ta bort snöow från inmatarhuset.

1. (Figur 1) Koppla ur **spaken till inmataren (5)**.
2. Stäng av motorn.

3. Ta ur **tändningsnyckeln (8)**.
4. Koppla loss tändstiftskabeln.
5. Stoppa aldrig in händerna i **inmatarhuset (4)** eller **utkaströret (3)**. Använd rengöringspinnen eller använd kofot eller dylikt för att ta bort snö eller skräp
6. (Figur 7) Använd **rengöringspinnen (1)** eller använd kofot eller dylikt för att ta bort snö eller skräp.

Snöröjningstips

1. Justera färdhastigheten för maximal effektivitet med snöslungan. Kör saktare i djup, frusen eller blöt snö. Minska hastigheten om hjulen slirar.
2. Den mest effektiva snöröjningen uppnås när snön tas bort direkt efter den fallit.
VAR FÖRSIKTIG: Överbelasta inte maskinens kapacitet genom att försöka röja snön alltför snabbt.
3. För att helt ta bort snön, överlappa hela tiden föregående körbanan något.
4. När det är möjligt, kasta ut snön i medvind.
5. För normal användning, ställ in medarna så att skraporna är 3 mm (1/8") ovanför medarna. Vid extremt hårdpackade snöunderlag, justera upp medarna så att skraporna når ner till marken.
6. Stenar och grus får inte plockas upp och kastas ut av maskinen. På grus- eller krossunderlag, ställ in medarna så att de är 32 mm (1-14") nedanför skraporna. Se "Hur man justerar höjden på medarna" i avsnittet Underhåll.
7. Efter varje snöröjningsarbete, låt motorn tomköra ett par minuter. Snö och uppsamlad is smälter då av motorn.
8. Rengör snöslungan efter varje användning.
9. Ta bort all is, snö och skräp från hela snöslungan. Spola med vatten för att få bort allt salt eller andra kemikalier. Torka snöslungan torr.

UNDERHÅLLSSCHEMA

KONSUMENTANSVAR

SERVICEPROTOKOLL Fyll i datum vartefter service fullgjorts	Före varje gång	Första 2 tim	Var 5:e timma	Var 10:e timma	Var 25:e timma	Varje säsong	Före förvaring	SERVICEDATUM
Kontrollera nivå på motorolja	√		√			√		
Byt motorolja					√	√		
Kontrollera och dra åt alla skruvar och muttrar	√					√		
Kontrollera tändstift					√	√		
Justera drivrem		√			√	√		
Kontrollera bränsle	√							
Tappa ur bränsle							√	
Kontrollera inställning av kopplingskabel till inmataren (Se Kabeljustering)		√				√		
Kontrollera inställning av kopplingskabel till drivhjul (Se Kabeljustering)		√				√		
Smörj alla vridpunkter.				√			√	
Smörj Inmatarstång (Se Byte av Brytbultar)				√			√	
Smörj Drivkedjor och drev				√			√	

UNDERHÅLL

NOTERA: Illustrationerna finns tillgängliga på sidan 2 och på sidorna 176 t.o.m. 181.

Använd följande avsnitt om Underhåll för att hålla Er enhet i gott arbetsskick. All underhållsinformation för motorn är motortillverkarens instruktioner. Läs den här boken innan Ni startar motorn.



WARNING: Innan Ni gör en inspektion, justering (förutom vid inställning av förgasare), eller reparation ska kabeln tas bort från tändstiftet.

Allmänna rekommendationer

Garantin för denna snöslunga täcker inte objekt som blivit utsatt för felaktigt handlande eller vårdslöshet av användaren. För att få full valuta för garantin måste användaren underhålla snöslungan enligt instruktionerna i denna manual. Vissa justeringar måste periodvis göras för att underhålla snöslungan ordentligt.

Efter varje användning

- Kontrollera om det finns några lösa eller trasiga delar.
- Dra åt eventuella lösa förband.
- Kontrollera och underhåll inmatarskruven.
- Kontrollera kontrollerna och se till att de fungerar ordentligt.
- Om några delar är utslitna eller skadade, byt ut dem med en gång.

- Kontrollera alla dekalerna och etiketter med säkerhetsinformation och anvisningar. Byt ut alla dekalerna och etiketter som saknas eller inte kan läsas.

Alla justeringar i avsnittet om Underhåll i den här manualen bör kontrolleras åtminstone en gång i varje säsong.

Krav

Följande justering bör utföras mer än en gång varje säsong.

1. Justera drivremmen till inmataren efter de första 2 till 4 timmarna, igen efter halva säsongen och därefter två gånger per säsong. Se "Hur man justerar drivremmen till inmataren" i avsnittet om Underhåll.

Smörjning

Var 10:e timma (Figur 14)

1. Smörj **Zerk-kopplingarna (1)** var tionde timma med en fettspruta.
2. Varje gång en brytbult måste bytas ut måste också inmataraxeln smörjas
3. Smörj alla vridpunkter.

Var 25:e timma

Kedjor

1. (Figur 1) Lägga hastighetsväxlaren (6) i första läget.
2. Ta ur bränslet ur tanken. Ställ upp snöslungan på den främre delen av inmatarhuset (4).



WARNING: Tappa ur bensinen utomhus, på säkert avstånd från eld eller flammor.

3. (Figur 22) Lossa bultarna (3) på varje sida om bottenplåten (2).
 4. Ta bort bottenplåten (2).
 5. (Figur 15) Smörj kedjorna (5) med kedjefett.
 6. Torka av drev och drevaxel (6) med 5W30 motorolja.
- NOTERA:** Om fett eller olja kommer i kontakt med drivskivan (1) eller friktionshjulet (3), kan de skadas. Avlägsna eventuell olja eller fett med en alkoholbaserad lösning.
7. (Figur 22) Sätt tillbaka bottenplåten (2).
 8. Dra fast bultarna (3) på vardera sidan om bottenplåten (2).

Objekt som inte får smörjas (Figur 15)

1. Smörj inte drev eller drevaxel (6). Alla lager och bussningar är smorda för att vara en livstid. Vid förvaring, ta lite 5W-30 olja på en trasa och torka drev och drevaxel (6) för att förebygga rost.
2. Om fett kommer i kontakt med drivskivan (1) eller friktionshjulet (3), kan friktionshjulet (3) skadas. Se till att noga rengöra drivskivan (1) och friktionshjulet (3).

VAR FÖRSIKTIG: Nedfettning eller nedoljning av ovanstående komponenter kan orsaka förorening av friktionshjulet (3). Om drivskivan (1) eller friktionshjulet (3) blir förorenat av fett eller olja, kommer friktionen att påverkas negativt.

- Växelhuset till inmataren smörjs på fabriken och kräver ingen ytterligare smörjning. Om av någon anledning smörjmedel läcker ut ska växelhuset till inmataren kontrolleras av ett av fabriken auktoriserat servicecenter.

Hur man justerar höjden på medarna (Figur 1)

Denna snöslunga är utrustad med två **höjdregerande medar (7)**. Dessa medar lyfter fronten på snöslungan. Vid normalhårda underlag, såsom en belagd uppfart eller trottoar, justeras medarna enligt följande.

- Ställ snöslungan på ett plant underlag.
- Se till att båda däckerna är lika fyllda. Rätt luftryck är 1 till 1,25 BAR (14 till 17 PSI). Överskrid inte det maximala luftryck som står angivet på sidan av däckets.
- Lägg de extra brytbultarna (som finns i reservdelspåsen) under vardera ände av **skrapan (15)** intill de **justerbara medarna (7)**.
- Lossa **upphängningsmuttrarna (16)** som håller fast de **justerbara medarna (7)**. För att sänka fronten på snöslungan, höj båda **medarna (7)**. Dra åt **upphängningsmuttrarna (16)**.

NOTERA: På steniga eller ojämna underlag kan fronten höjas genom att sänka ner **medarna (7)**.



WARNING: Försäkra Er om att alltid ha god markfrigång på området som ska röjas. Om föremål som grus, stenar eller annat skräp fastnat i utkastaren kan de slungas iväg med en sån kraft att risk för personskada, skada på egendom eller skada på snöslungan föreligger.

Hur man ställer in skrapan (Figur 1)

Efter flitigt användande blir **skrapan (15)** utsliten. **Skrapan (15)** och medarna måste justeras så att de tillsammans ger en frigång mellan **skrapan (15)** och underlaget med 3 mm (1/8").

- Sätt snöslungan på ett plant underlag.
- Se till att båda däckerna är lika fyllda. Rätt luftryck är 1 till 1,25 BAR (14 till 17 PSI). Överskrid inte det maximala luftryck som står angivet på sidan av däckets.
- Lossa bultarna och muttrarna som fäster **skrapan (15)** på **inmatarhuset (4)**.
- Justera **skrapan (15)** så att de tillåter en 1/8" frigång mellan **skrapan (15)** och trottoaren eller ytan som ska röjas.
- Dra åt bultarna och muttrarna. Se till att **skrapan** är parallell med trottoaren eller ytan som ska röjas.
- För att öka livslängden på **skrapan (15)**, ta loss och vänd på den.

Hur man kontrollerar och justerar kablarna

Drivhjulskabeln och kabeln till inmatardrevet är fabriksinställda. Under normal användning kan en kabel bli uttänjd och måste kontrolleras och justeras enligt följande.

Hur man kontrollerar kablarna (Figur 16)

- För att kontrollera rätt inställning, lossa **Z-kopplingen (1)** från **drivspaken (2)**.

- För **drivspaken (2)** framåt tills **drivspaken (2)** når **plastdetaljen (3)**.
- Kontrollkabeln är rätt inställd om mitten av **Z-kopplingen (1)** är i **linje (4)** med hålet i **drivspaken (2)** och där inte är något häng i kabeln.

Hur man justerar drivremskablarna

- Tappa tanken på bränsle. Ställ snöslungan på framkanten av inmatarhuset.



WARNING: Tappa ur bensin utomhus, på säkert avstånd från eld eller flammor.

- (Figur 16) Lossa **Z-kopplingen (1)** från **drivspaken (2)**.
- (Figur 17) Dra upp fjäderskyddet för att komma åt **fjädern (5)**. Skjut **kabeln (6)** genom **fjädern (5)** för att komma åt **den fyrkantiga änden (7)** av **kabeln (6)**.
- Ta tag i **den fyrkantiga änden (7)** med en tång och skruva **låsmuttern (8)** inåt eller utåt tills kabeln inte längre slakar.
- Dra **kabeln (6)** tillbaka genom **fjädern (5)**.
- (Figur 16) Koppla **Z-kopplingen (1)** till **drivspaken (2)**.

NOTERA: När drivremmen har justerats eller bytts ut skall kabeln kontrolleras och justeras.

Hur man ställer in drivhjulskabeln

- Tappa tanken på bränsle. Ställ snöslungan på inmatarhusets framkant.



WARNING: Tappa ur bensinen utomhus, på säkert avstånd från eld eller flammor.

- (Figur 22) Lossa **bultarna (3)** på varje sida om **bottenplåten (2)**.
- Ta bort **bottenplåten (2)**.
- (Figur 16) Lossa **Z-kopplingen (1)** från **drivspaken (2)**.
- (Figur 27) Drag upp **kabelskyddet (3)** från **kabeljusteringsfästet (4)**.
- Skjut **frikontrollkabelns (5)** nederdel genom **kabeljusteringsfästet (4)** tills **Z-kroken (6)** kan tas bort.
- Ta bort **Z-kroken (6)** från **kabeljusteringsfästet (4)**. Flytta **Z-kroken (6)** nedåt till nästa justeringshål.
- Drag **frikontrollkabeln (5)** upp genom **kabeljusteringsfästet (4)**.
- Drag **kabelskyddet (3)** över **kabeljusteringsfästet (4)**.
- (Figur 16) Montera **Z-kopplingen (1)** på **drivspaken (2)**.
- (Figur 15) För att kontrollera justeringen, tryck ner **drivspaken** och mät **längden "A"** på **drivfjädern (7)**. Vid korrekt justering är måttet "A" på **drivfjädern (7)**: minimum 76 mm och maximum 85 mm.
- (Figur 22) Installera **bottenplåten (2)**.
- Drag åt **bultarna (3)** på varje sida om **bottenplåten (2)**.

Hur man justerar remmarna

Remmarna töjs ut under normal användning. Om remmarna måste justeras som följd av nötning eller uttänjning, gör enligt följande.

Hur man justerar drivremmen till inmataren

Om snöslungan inte kastar ut snön, kontrollera inställningen på kabeln till inmataren. Se "Hur man kontrollerar och justerar kablarna" i avsnittet Underhåll. Om inställningen är korrekt, kontrollera skicket på drivremmen till inmatarskraven. Om drivremmen är skadad, byt ut inmatardrivremmen. Se "Hur man byter remmarna" i avsnittet Underhåll. Om drivremmen till inmataren är lös, justera enligt följande.

- Lossa tändstiftskabeln.
- (Figur 18) Ta loss **skruven (2)** från **remskyddet (1)**. Ta loss **remskyddet (1)**.
- (Figur 19) Lossa **muttern (2)** till **brytrullen (3)**. Flytta **brytrullen (3)** 3 mm (1/8") mot **inmatardrivremmen (4)**.
- Dra åt **muttern (2)**.
- (Figur 21) Tryck ner spaken till inmatardrevet. Kontrollera spänningen på **inmatardrivremmen (4)**. Om den är rätt justerad ger den vika **12,5 mm (1/2") (5)** under lagom tryck. Gör om justeringen om inställningen inte blivit rätt.
- (Figur 18) Sätt tillbaka **remskyddet (1)**. Dra åt **skruven (2)**.
- Kontrollera justeringen av inmatarkabeln. Se "Hur man kontrollerar och justerar inmatarkabeln" i avsnittet Underhåll.
- Koppla på tändstiftskabeln.

Drivhjulremmen

Drivhjulremmen har ett konstant fjädertryck och behöver inte justeras. Om drivhjulremmen slirar, byt ut remmen. Se "Hur man byter ut remmarna" i avsnittet Underhåll.

Hur man byter ut remmarna

Drivremmarna är specialkonstruerade och måste bytas mot originaltillverkade reservremmar som finns hos närmaste auktoriserade servicecenter. Vissa steg kräver hjälp av ytterligare en person.

Hur man tar loss drivremmen till inmataren

Om inmatardrivremmen är skadad kan snöslungan inte kasta ut snö. Byt ut remmen enligt följande.

- Koppla loss tändstiftskabeln.
- (Figur 22) Ta bort **bultarna (1)** på vardera sida om **bottenplåten (2)**.
- Lossa **bultarna (3)** på varje sida om **bottenplåten (2)**.
- Ta bort **bottenplåten (2)**.
- (Figur 18) Lossa **skruven (2)** från **remskyddet (1)**. Ta bort **remskyddet (1)**.
- (Figur 19) Lossa **remguiden (9)**. Dra **remguiden (9)** bort från **inmatardrevblocket (10)**.
- Dra **brytrullen (3)** bort från **inmatardrivremmen (4)** och dra **drivremmen till inmataren (4)** av **brytrullen (3)**.
- Ta bort **drivremmen till inmataren (4)** från **motorblocket (11)**. För att ta bort **drivremmen till inmataren (4)**, kan **motorblocket (11)** behöva vridas litet.
- (Figur 20) Ta bort de övre fyra **bultarna (21)** som håller ihop **inmatarhuset (22)** och **motorlådan (23)**. Lossa de två nedersta **bultarna (24)**. **Inmatarhuset (22)** och **motorlådan (23)** kan nu tas isär så att remmen kan tas bort.

- (Figur 19) Ta loss den gamla inmatardrivremmen (17) från inmatarblockhjulet (10). Byt ut inmatardrivremmen (4) mot en originaltillverkad reservdelsrem från ett auktoriserat servicecenter.
- Sätt dit den nya inmatardrivremmen (4) på inmatarblockhjulet (10).
NOTERA: För att montera inmatarhuset (22) på motorlådan (23), låt någon hålla inmatarkopplingsspaken i läget **INKOPPLAD**. Detta för brytarmen och -rullen (3) tillräckligt så att inmatarblockhjulet (10) kan komma tillbaka i läge.
- Montera inmatarhuset (22) på motorlådan (23) med de fyra bultarna (21) som togs bort i steg 9. Dra åt de två nedersta bultarna (24).
- Installera drivremmen till inmataren (4) på motorblocket (11).
- För drivremmen till inmataren (4) under brytrullen (3).
- Justera inmatardrivremmen (4). Se "Hur man justerar drivremmen till inmataren" i avsnittet Underhåll.
- Justera remguiden (9). Se "Hur man justerar remguiden" i avsnittet Underhåll.
- (Figur 18) Sätt tillbaka remskyddet (1). Dra åt skruven (2).
- (Figur 22) Sätt tillbaka bottenplåten (2).
- Installera bultarna (1) på varje sida om bottenplåten (2).
- Dra åt bultarna (1) och bultarna (3) på vardera sida om bottenplåten (3).
- Kontrollera justeringen av kablarna. Se "Hur man kontrollerar och justerar kablarna" i avsnittet Underhåll.
- Sätt tillbaka tändstiftskabeln.

Hur man tar loss drivhjulremmen

Om snöslungan inte vill röra sig framåt, kontrollera om drivhjulremmen är utsliten eller skadad. Om drivhjulremmen är utsliten eller skadad byt ut den enligt följande.

- Ta bort tändstiftskabeln.
- Ta loss inmatardrivremmen. Se "Hur man tar loss drivremmen till inmataren" i avsnittet Underhåll.
- (Figur 19) Ta bort e-ringen (17) från den ena änden av svängplåtens axel (18). Ta bort svängplåtens axel (18) för att möjliggöra för svängplåten att vinklas framåt.
- Ta bort drivfjädern (16).
- Ta bort den gamla drivhjulremmen (13) från drivhjulblocket (14) och bort från motorblocket (15). Byt ut drivhjulremmen mot originaltillverkad reservdelsrem (13) från ett auktoriserat servicecenter.
- Sätt dit den nya drivhjulremmen (13) på drivhjulblocket (14) och på motorblocket (15).
- Se till att drivhjulblockhjulet (12) verkligen är i linje med drivhjulremmen (13).
- Fäst drivfjädern (16).
- Montera svängplåtens axel (18) och fäst den med e-ringen (17) som avlägsnades tidigare.

- (Figur 32) svängplåtens (20) botten måste placeras mellan injusteringspunkter (19). Kontrollera att svängplåten (20) är ordentligt fastsatt.
NOTERA: Om drivningen inte fungerar efter drivremmen har bytts ut, kontrollera att svängplåten är placerad mellan injusteringspunkterna (19).
- (Figur 19) Sätt dit och justera inmatardrivremmen (4). Se "Hur man tar loss drivremmen till inmataren" i avsnittet Underhåll.
- Justera remguiden (9). Se "Hur man justerar remguiden" i avsnittet Underhåll.
- (Figur 22) Installera bottenplåten (2).
- Drag åt bultarna (3) på varje sida om bottenplåten (2).
- (Figur 18) Sätt tillbaka remskyddet (1). Dra åt skruven (2).
- Kontrollera justeringen av kablarna. Se "Hur man kontrollerar och justerar kablarna" i avsnittet Underhåll.
- Sätt tillbaka tändstiftskabeln.


Hur man justerar remguiden

- Ta loss tändstiftskabeln.
- (Figur 18) Ta loss skruven (2). Ta bort remskyddet (1).
- (Figur 1) Lägg i spaken till inmataren (5).
- (Figur 23) Mät avståndet mellan remguiden (2) och inmatardrivremmen (3). Rätt avstånd (4) är 3 mm (1/8").
- Om en justering behövs, lossa bultarna till remguiden (2). Ändra remguiden (2) till rätt läge (4). Dra åt bultarna till remguiden (2).
- (Figur 18) Sätt tillbaka remskyddet (1). Dra åt skruven (2).
- Sätt tillbaka tändstiftskabeln.

Hur man justerar eller byter ut friktionshjulet

Hur Man Kontrollerar Friktionshjulet

Om snöslungan inte vill rör sig framåt, kontrollera drivhjulremmen, drivhjulskabeln eller friktionshjulet. Om friktionshjulet är slitet eller skadat måste det bytas ut. Se "Hur man byter ut friktionshjulet" i det här avsnittet. Om friktionshjulet inte är slitet eller skadat, kontrollera enligt följande.

- (Figur 1) Tappa ur bränsletanken. Ställ upp snöslungan på framkanten av inmatarhuset (4).
 **WARNING: Tappa ur bensen utomhus, på säkert avstånd från eld eller flammor.**
- Ta loss tändstiftskabeln.
- (Figur 22) Ta bort bultarna (1) på vardera sida om bottenplåten (2).
- Lossa bultarna (3) på vardera sida om bottenplåten (2).
- Ta bort bottenplåten (2).
- (Figur 1) För växelväljaren (6) till lägsta växel. Lägg hastighetsväxelspaken (6) i första läget för framåtfärd.

- (Figur 24) Notera friktionshjulets (4) läge. Korrekt avstånd "A" från friktionshjulets (4) högra sida till utsidan av motorhöljet är:

Hjulstorlek	Avtånd "A"
12 och 13 tum	10,5 cm
16 tum	10,95 cm.

Justera enligt följande om friktionshjulet (4) inte är i korrekt läge.

Hur man justerar friktionshjulet


- (Figur 1) För växelväljaren (6) till lägsta växel.
- (Figur 9) Lossa låsmuttern (9) på hastighetsstången (2). Ta bort kulleleden (6) från växelstången (7).
- (Figur 24) För friktionshjulet (4) till rätt läge.
- (Figur 9) Vrid adaptorn (7) tills kulleleden (6) är i linje med monteringshålet på växelstången (7). När den är inriktad, fäst kulleleden (6) på växelstången (7).
- (Figur 22) Sätt tillbaka bottenplåten (2).
- Installera bultarna (1) på varje sida om bottenplåten (2).
- Dra åt bultarna (1) och bultarna (3) på vardera sida om bottenplåten (3).

Hur man byter ut friktionshjulet

Om friktionshjulet är slitet eller skadat kommer snöslungan inte röra sig framåt. Friktionshjulet måste bytas ut enligt följande.



WARNING: Smörj inte blockdrevplåten eller friktionshjulet.

- (Figur 1) Tappa ur bränsletanken. Ställ upp snöslungan på framkanten av inmatarhuset (4).
 **WARNING: Tappa ur bensen utomhus, på säkert avstånd från eld eller flammor.**
- Lossa tändstiftskabeln.
- (Figur 28) Ta bort bultarna (1) på vardera sida om bottenplåten (2).
- Lossa bultarna (3) på varje sida om bottenplåten (2).
- Ta bort bottenplåten (2).
- (Figur 29) Ta bort den bakre stödkonsolen (18).
- (Figur 30) Använd en 3/16" insexnyckel till att ta bort fästelementen som håller den vänstra axelklämman (30) på axeln (34).
- Ta bort det högra hjulets (35), axel (34), axelklämman (30), och bricka (31).
- (Figur 28) Ta bort det vänstra hjulet (10) från axel (11).
- (Figur 31) Ta bort de fästelement som håller fast axeln (32) vid motorlådan. Ta bort axel (32) och bussning (33).
- Lossa (ta inte bort) bultarna som håller axellagren (19) fast vid motorlådan.
- Ta bort koppling/drevenheten (20) från axeln (11).
- (Figur 32) Ta bort de fyra bultarna (16) som håller lagren (7) på varje sida av sexkantsaxeln (8).
- (Figur 33) Ta bort sexkantsaxeln (8) och lagren (7).
NOTERA: Lägg särskilt märke till brickornas (13) placering.
- (Figur 26) Ta bort de tre fästelementen (4) som håller friktionshjulet (5) vid navet (6).

16. **(Figur 26)** Ta bort friktionshjulet (5) från navet (6). Drag av friktionshjulet (5) från sexkantsaxeln (8).
17. Montera det nya friktionshjulet (5) på navet (6) med de fästelement som togs bort tidigare.
18. **(Figur 33)** Montera sexkantsaxeln (8) och lagren (7) med de fyra bultarna som togs bort tidigare.
Kontrollera att brickorna (17) är monterade på sin ursprungliga plats. Se också till att de två brickorna (13) är korrekt inpassade mot drivarmarna (14).
19. Kontrollera att sexkantsaxeln (8) rör sig fritt.
20. För att installera återstående delar, utför ovanstående steg i omvänd ordning.
21. Kontrollera friktionshjulets inställning. Se "Hur man justerar friktionshjulet" i detta kapitel.
22. Kontrollera att friktionshjul och drivskiva är fria från fett och olja.
23. **(Figur 28)** Sätt tillbaka bottenplåten (2).
24. Installera bultarna (1) på varje sida om bottenplåten (2).
25. Dra åt bultarna (1) och bultarna (3) på vardera sida om bottenplåten (3).
26. Sätt tillbaka tändningskabeln.

Hur man byter brytbult till inmataren

Inmatarna är säkrade mot inmatarstången med speciella brytbultar. Dessa brytbultar är konstruerade att brytas av, och därmed skydda maskinen, om ett föremål fastnar i inmatarhuset. Använd inte en hårdare bult, då går säkerheten som brytbulten ger, förlorad.



WARNING: För säkerheten och för att skydda maskinen, använd endast originaltillverkade brytbultar.

För att byta en brytbult, gör enligt följande. Extra brytbultar finns i reservdelpåsen som medföljer.

1. **(Figur 1)** Lägg gasreglaget (13) i stopp-läge. Koppla ur alla kontroller.
2. Ta loss tändstiftskabeln. Se till att alla rörliga delar har stannat.
3. **(Figur 14)** Smörj Zerk-kopplingen (1), om sådan finnes, på inmatarstången med en fettspruta.
4. **(Figur 25)** Passa in hålet i borret med axelns hål. Montera en ny brytbult (2), bricka (3), och låsmutter (4).
NOTERA: Brickan (3) behövs inte om modellen är utrustad med ett 84 cm (33 tum) inmatningshus.
5. Koppla tändstiftskabeln.

Hur man förbereder snöslungan för förvaring



WARNING: Ta inte ur bensen inomhus, i närheten av eld eller medan Ni röker. Bensenångor kan orsaka explosion eller eldsvåda.

Om snöslungan ska ställas undan för längre tids förvaring bör du läsa motortillverkarens driftshandbok (ingår med vissa modeller), eftersom denna innehåller viktig information om underhåll och förvaring.

1. Töm bränsletanken.
2. Låt motorn gå tills bensen är slut.
3. En snöslunga med bensen i tanken får ej förvaras inomhus, där det finns antändningskällor såsom vattenberedare, elektriska värmeelement, torktumlare eller liknande. Låt motorn svalna innan du ställer undan maskinen i ett stängt utrymme.
4. Tappa oljan från den varma motorn. Fyll motorvevhuset med ny olja.
5. Skruva ut tändstiftet och håll i ca. 29,6 ml (1 oz) motorolja i cylindern. Sätt tillbaka tändstiftet och dra runt motorn sakta så att oljan sprids.
6. Rengör snöslungan noga.
7. Smörj alla smörjställen. Se avsnittet Underhåll.

8. Se till att alla muttrar, bultar och skruvar är ordentligt fastdragna. Inspektera alla synliga rörliga delar, efter skador och nötning. Byt ut om nödvändigt.
9. Täck oskyddade metalldelar av matarhuset, inmatarskraven och utkastaren med rostförebyggande smörjsprejmedel.
10. Ställ enheten i en byggnad med god ventilation. Förvara den på en ren och torr plats, men INTE i närheten av en spis, värmepanna eller vattenberedare som är utrustad med en tändlåga eller i närheten av en enhet som kan bilda gnistor.
11. Om maskinen måste förvaras utomhus, se till att hela maskinen pallas upp så att den inte står direkt på marken.
12. Täck över snöslungan med ett passande skyddsöverdrag som inte håller kvar fukt. Använd inte plast.

Hur man beställer reservdelar

Reservdelarna visas antingen på sidorna längst bak i den här instruktionsboken eller i en separat bok med reservdelslistor.

Använd endast av tillverkaren auktoriserade eller godkända reservdelar. Använd inte redskap eller tillbehör som inte uttryckligen rekommenderas för denna enhet. För att få rätta reservdelar måste du bifoga modellnumret (se namnskyllten).

Kontakta din lokala återförsäljare för att få reservdelar.

Reservdelar för motor, genomgående axel, eller transmission finns hos tillverkarens auktoriserade servicecenter, som finns att slå upp i Gula Sidorna. För att beställa reservdelar, se även respektive garanti för motor och transmission.

Vid beställning behövs följande information:

- (1) Modellnummer
- (2) Serienummer
- (3) Reservdelsnummer
- (4) Kvantitet/Antal

FELSÖKNINGSSCHEMA

PROBLEM	ORSAK	ÅTGÄRD
Problem att starta	Defekt tändstift.	Byt tändstift.
	Vatten eller smuts i bränslesystemet.	Använd en carburetor bowl drain för att spola ur och fylla på med nytt bränsle.
Motorn går ojämnt	Blockerad bränsleväg, tom bränsletank eller dålig bensin.	Rensa bränslevägen; kontrollera bränslenivån; fyll på fräsch bensin.
Motorn överstegrar	Enheten chokad.	Sätt chokespaken i RUN-läge.
Motorn går ojämnt; Effektförluster	Vatten eller smuts i bränslesystemet.	Använd carburetor bowl drain to spola ur och fyll sedan på med nytt bränsle.
Kraftiga vibrationer	Lösa delar: skadad inmatningsskruv.	Stanna genast motorn och koppla loss tändstiftskabeln. Skruva åt alla bultar och gör nödvändiga reparationer. Om vibrationerna fortsätter; lämna in enheten till en godkänd reparatör för service.
Enheten klarar inte att driva sig framåt	Drivremmen är slapp/lös eller skadad.	Sätt dit ny drivrem.
	Felaktig inställning av drivhjulskabeln.	Justera drivhjulskabeln.
	Slitet eller skadat friktionshjul.	Byt friktionshjul.
Enheten klarar inte att kasta ut snö	Drivrem till inmatarskraven lös eller skadad.	Justera drivremmen till inmatarskraven. Byt om den är skadad.
	Kontrollkabeln till inmatarskraven inte rätt justerad.	Justera kontrollkabeln till inmatarskraven.
	Brytbult är av.	Sätt i ny brytbult.
	Utkaströr igenproppat.	Stanna genast motorn och koppla loss tändstiftskabeln. Rensa utkaströret och inuti höljet till inmatningsskraven.
	Främmande föremål fastnat i inmataren.	Stanna genast motorn och koppla loss tändstiftskabeln. Ta bort föremål från inmataren.

SISÄLTÖ

VAAROJEN KUVAMERKIT JA NIIDEN SELITYKSET	88
KÄYTTÖÖN LIITTYVÄT KUVAMERKIT JA NIIDEN SELITYKSET	88
KOKOONPANO	93
KÄYTTÖ	93
HUOLTOTAULUKKO	96
HUOLTO	96
ONGELMANRATKAISUKAAVIO	100

Kuvat (esimerkki: kuva 1) ovat tämän oppaan etu- ja takasivun sisäpuolella ennen osaluetteloa.

Yleistä

Tämä käyttöopas on kirjoitettu henkilölle, jolla on jonkin verran mekaanisia taitoja. Kuten useimmissa muissakin huoltokirjoissa, kaikkia vaiheita ei ole selitetty. Kiinnittimien löysäämistä tai kiristämistä koskevat vaiheet on selitetty siten, että kaikki jonkin verran mekaanisia taitoja omaavat henkilöt pystyvät seuraamaan niitä. Lue nämä ohjeet ja noudata niitä ennen koneen käyttöä.

Tunne koneesi: Jos tunnet koneen ja tiedät, kuinka se toimii, pystyt käyttämään sitä tehokkaasti. Kun luet tätä opasta, vertaa siinä olevia kuvia koneeseesi. Opi hallintalaitteiden sijainti ja toiminta. Noudata käyttöohjeita ja turvallisuussääntöjä, jotta vältät onnettomuudet. Säilytä tämä opas myöhempää tarvetta varten.

TÄRKEÄÄ: Useat koneet myydään pakkauksissa kokoamattomina. On omistajan vastuulla varmistaa, että tässä oppaassa annettuja kokoamisohjeita noudatetaan tarkasti. Jotkin koneet myydään valmiiksi koottuina. On omistajan vastuulla varmistaa, että nämä kootut koneet on koottu oikein. Omistajan täytyy tarkastaa kone huolellisesti ennen ensimmäistä käyttökertaa tässä oppaassa olevien ohjeiden mukaisesti.

Tarvitsetko apua?

Ota yhteys paikalliseen jälleenmyyjään, jos tarvitset lisätietoja asennuksesta, käytöstä tai huollosta.



Tässä käsikirjassa on turvallisuutta koskevia tietoja, joiden tarkoituksena on kertoa lumilinkoihin liittyvistä vaaroista ja riskeistä ja siitä, kuinka ne voidaan välttää. Lumilingot on valmistettu ja tarkoitettu lumen poistamiseen eikä niitä saa käyttää mihinkään muuhun tarkoitukseen. On tärkeää, että luet ja ymmärrät nämä ohjeet ja että kaikki muut konetta käyttävät henkilöt lukevat ja ymmärtävät nämä ohjeet.



VAROITUS

Tämän koneen moottorin pakokaasu sisältää kemikaaleja, jotka Kalifornian osavaltion tietämyksen mukaan aiheuttavat syöpää, syntymävikoja tai muita lisääntymiseen liittyviä ongelmia.

Merkkisanoja (VAARA, VAROITUS ja HUOMIO) käytetään huomiomerkin kanssa ilmoittamaan mahdollisen vaaran todennäköisyydestä ja vakavuudesta. Tämän lisäksi voidaan käyttää erilaisia tietäntyyppistä vaaraa kuvaavia kuvamerkkejä.



VAARA tarkoittaa vaaraa, josta on seurauksena kuolema tai vakava vamma, jos sitä ei vältetä.



VAROITUS tarkoittaa vaaraa, josta voi olla seurauksena kuolema tai vakava vamma, jos sitä ei vältetä.



HUOMIO tarkoittaa vaaraa, josta saattaa olla seurauksena vähäinen tai kohtalainen vamma, jos sitä ei vältetä.

Kun sanaa **HUOMIO** käytetään ilman huomiomerkkiä, se tarkoittaa tilannetta, jossa kone voi vahingoittua.

Hallintalaitteet ja koneen ominaisuudet (katso kuvaa 1)

Vetokäyttövipu (1) – Valitsee kulkusuunnan (eteen tai taakse).

Kampikokoonpano (2) – Muuttaa poistoaukon suuntaa.

Suuntauslevy (3) – Muuttaa poistettavan lumen lentämää matkaa.

Poistoaukko (4) – Muuttaa poistettavan lumen lentosuuntaa.

Ruuviosan käyttövipu (5) – Käynnistää ja pysäyttää ruuviosan (lumen keräyksen ja poiston), joka myös siirtää lumilinkoa.

Nopeudenvaihtokytkin (6) – Valitsee lumilingon toimintanopeuden.

Säädettävän korkeuden liukukisko (7) – Säätää ruuviosan kuoren etäisyyden maanpintaan.

Kinosleikkurit (18) – (jos varusteina) Leikkaavat polun, jos lumikerros on paksumpi kuin ruuviosan kuori.

Saksipultit (19) – Erityiset saksipultit on suunniteltu suojelemaan ruuviosan kuorta. Ne katkovat kaikki ruuviosan kuoreen juuttuneet esineet ja osat. Kovemman pultin käyttäminen tuhoaa saksipultin tarjoaman suojauksen.

Poistoaukon säätövipu (20) – Säätää poistettavan lumen lentämää matkaa.

Lämmitettävien kahvojen kytkin (21) – Kytkee lämmitettävien kahvojen lämmityksen päälle.

Moottorin ominaisuudet

Turva-avain (8) – Virta-avain on työnnettävä sisään, jotta moottori käynnistyy.

Ryppypumpun painike (9) – Syöttää polttoainetta suoraan kaasuttimeen, jotta moottori voidaan käynnistää nopeasti kylmällä ilmalla.

Sähkökäynnistyspainike (10) – Käynnistää moottorin malleissa, joissa on sähkökäynnistin.

Muuntaja (11) – Tätä käytetään sähkökäynnistinmalleissa 220 voltin sähköjohdon kiinnittämiseen.

Itsepalautuvan käynnistysnarun kahva (12) – Käytetään moottorin manuaaliseen käynnistämiseen.

Kaasukytkin (13) – (jos varusteina) Ohjaa moottorin nopeutta.

Pysäytyskytkin (13) – (jos varusteina) Käytetään moottorin pysäyttämiseen.

Rikastimen säädin (14) – Käytetään kylmän moottorin käynnistämiseen.

Vaarojen kuvamerkit ja niiden selitykset

Koneessa käytetään näitä käyttöoppaassa selitetyjä kuvamerkkejä. Tutustu niihin ja tunne niiden merkitykset. Näitä merkkejä käytetään yhdessä merkkisanojen kanssa kiinnittämään käyttäjän huomio mahdollisiin vaaroihin ja tapoihin välttää niitä.

	Turvallisuusvaroitus – Käytetään sellaisia vaaroja koskevien tietojen tunnistamiseen, jotka voivat aiheuttaa tapaturman.
	Käyttöopas – Lue ja ymmärrä ennen koneen minkäänlaista käyttöä.
	Pyörivä ruuviosa
	Pyörivä siipipyörän
	Myrkylliset höyryt
	Pyörivät hammaspyörät
	Sinkoutuvat esineet
	Pysy turvallisen etäisyyden päässä koneesta.
	Älä koskaan kurkota pyöriviin osiin.
	Sammuta moottori ja irrota sytytystulpan johto ennen huolto- ja korjaustoimenpiteiden suorittamista.
	Tulipalo
	Räjähdys
	Sähköisku
	Kuuma pinta

Käyttöön liittyvät kuvamerkit ja niiden selitykset

Koneessa käytetään näitä käyttöoppaassa selitetyjä kuvamerkkejä. On tärkeää, että tutustut niihin ja ymmärrät niiden merkityksen. Jos et ymmärrä kuvamerkkejä, vaarannat oman turvallisuutesi.

	Öljy		Eteenpäin
	Polttoaine		Vapaa
	Päällä/pois		Taaksepäin
	Ryöppypumppu		Sytytys päällä
	Kaasu		Sytytys pois
	Kuristin pois		Virta-avain
	Kuristin päällä		Kytke sähkökäynnistys painamalla
	Pysäytys		Sähkökäynnistys
	Hidas		Moottorin käynnistys
	Nopea		Moottorin käyttö
	Kytke		Moottori pois
	Veto		
	Ruuvikerääjä		
	Ruuviosan kytkin		
	Ajokytkin		
	Kytkentä päälle		
	Kytkentä pois		
	Poistoaukko		Suuntauslevy
	VASEMMALLE		YLÖS
	OIKEALLE		ALAS



VAARA

Pyörivä ruuviosa voi aiheuttaa kuoleman tai vakavan vamman. Pidä kädet, jalat ja vaatteet pois sen ulottuvilta. Poistoaukon tukosten poistaminen on vaarallista.

- Älä koskaan yritä poistaa roskia tai pakkautunutta lunta ruuviosasta, kun kone on kytkeytyneenä tai moottori on käynnissä.
- Pysäytä moottori ja irrota sytytystulpan johto, kun huollat konetta.
- Älä koskaan jätä konetta ilman valvontaa moottorin ollessa käynnissä. Kytke aina ruuviosa ja vedon hallintalaitteet pois päältä, pysäytä moottori ja irrota avaimet.
- Pidä lapset, eläimet ja muut pois työskentelyalueelta käytön aikana. Lapset ovat usein kiinnostuneita koneesta. Ota kaikki läsnä olevat henkilöt huomioon.
- Pidä kaikki löysät vaatteet pois lumilingon ja ruuviosan etupuolelta. Kaulaliinat, lapaset, roikkuvat kiristysnauhat, löysät vaatteet ja housut voivat tarttua äkkiä pyörivään laitteeseen ja seurauksena on silpoutuminen. Sido pitkät hiukset ja poista korut.
- Lumilinko on tarkoitettu ainoastaan lumen poistamiseen. Älä käytä konetta muuhun kuin sen käyttötarkoituksen mukaiseen käyttöön.
- Älä poista lunta rinteiden poikkisuunnassa. Ole erityisen varovainen, kun vaihdat suuntaa rinteessä. Älä yritä poistaa lunta jyrkistä rinteistä.
- Älä käytä lumilinkoa maanpintaa korkeammilla pinnoilla, kuten talojen ja autotalliin katoilla, verannoilla tai muilla vastaavilla rakenteilla tai rakennuksissa.



VAARA

Ruuviosa voi ottaa sisäänsä esineitä ja heittää ne ulos poistoaukosta.

Älä koskaan poista lunta ihmisiä tai autoja kohti äläkä koskaan anna kenenkään olla lumilingon edessä.

- Kiinnitä huomiota ympäristöösi, kun käytät konetta. Jos lumilingolla ajetaan lumen alla olevan soran, ovimattojen, sanomalehtien, lelujen tai kivien yli, ne voivat sinkoutua poistoaukosta tai tukkia ruuviosan.
- Kiinnitä aina huomiota siihen, mihin suuntaan lumi poistetaan. Sinkoutuvat esineet voivat vahingoittaa jalankulkijoita ja lemmikkieläimiä ja aiheuttaa omaisuusvahinkoja.
- Tutustu etukäteen työskentelyalueeseen. Merkitse kävely- ja ajoteiden reunat esineiden sinkoutumisen ja omaisuusvahinkojen välttämiseksi.
- Ole varovainen, kun käytät lumilinkoa alueilla, joita et tunne. Ole tarkkana piilievien vaarojen ja liikenteen varalta.
- Jos osut johonkin vieraaseen esineeseen, sammuta moottori, odota, että liikkuvat osat pysähtyvät, ja tarkasta sitten heti mahdolliset vauriot. Jos lumilinko on vahingoittunut, korjaa se ennen käynnistämistä ja käytön jatkamista.
- Kun joudut puhdistamaan poistoaukkoa, sammuta moottori, odota, että liikkuvat osat pysähtyvät, ja puhdista poistoaukko sitten kepillä.
- Jos kone tärisee normaalista poikkeavalla tavalla, sammuta moottori. Tärinä on yleensä varoitus jostakin ongelmasta. Ota yhteys valtuutettuun edustajaan, jos kone on korjattava.



VAARA

Poistoaukossa on pyörivä siipipyörän ja juoksupyörä, jotka heittävät lunta. Älä koskaan puhdista poistoaukkoa käsin tai moottorin ollessa käynnissä.

Sormet voivat tarttua äkkiä kiinni, ja seurauksena voi olla tapaturmainen amputaatio tai vakava repeäminen.

- Tukkeuma heittotorvessa on vaarallinen.
- Älä koskaan aseta sormiasi poistoaukkoon tai sen lähelle.
- Kun joudut puhdistamaan poistoaukkoa, sammuta moottori, odota, että kaikki liikkuvat osat pysähtyvät, ja puhdista poistoaukko sitten kepillä.
- Tukkeutunut lumi voi peittää muita poistoaukossa olevia esteitä ja vahingoittaa konetta, juoksupyörää tai ruuviosaa. Ole varovainen, kun käynnistät konetta uudelleen lumen poistamisen jälkeen.



VAROITUS

Moottoreiden pakokaasuissa on hiilimonoksidia.

Hiilimonoksidi on hajuton, väritön ja myrkyllinen kaasu.

Hiilimonoksidin hengittäminen voi aiheuttaa pahoinvointia, pyörtymisen tai kuoleman.

- Käynnistä ja käytä moottoria ulkona.
- Älä käynnistä ja käytä moottoria suljetuissa tiloissa, vaikka ovet ja ikkunat olisivat auki.

**VAROITUS**

Bensiini ja sen höyryt ovat erittäin helposti syttyviä ja voivat räjähtää.

Tulipalo tai räjähdys voi aiheuttaa vakavia palovammoja ja kuoleman.

POLTTOAINETTA LISÄTTÄESSÄ

- Sammuta moottori ja anna sen jäähtyä vähintään 2 minuuttia, ennen kuin irrotat polttoainesäiliön korkin.
- Lisää polttoainetta ulkona tai paikassa, jossa on hyvä ilmanvaihto.
- Älä täytä polttoainesäiliötä liikaa.
- Pidä bensiini etäällä kipinöistä, avotulesta, sytytysliekeistä, kuumuudesta ja muista syttymislähteistä.
- Tarkasta säännöllisesti, onko polttoaineletkussa, -liittimissä, -säiliössä tai -säiliön korkissa halkeamia tai vuotoja. Vaihda tarvittaessa.

MOOTTORIA KÄYNNISTETTÄESSÄ

- Varmista, että sytytystulppa, äänenvaimennin, polttoainesäiliön korkki ja ilmanpuhdistin ovat paikoillaan.
- Älä käynnistä moottoria sytytystulpan ollessa irti.
- Jos polttoainetta läikkyy, odota, kunnes se haihtuu, ennen kuin käynnistät moottorin.
- Jos moottoriin tulee liikaa polttoainetta, aseta rikastin AUKI/KÄYNTI-asentoon ja kaasu NOPEA-asentoon ja käynnistä moottoria, kunnes se käynnistyy.

KONETTA KÄYTETTÄESSÄ

- Älä sammuta moottoria rikastimen avulla.

KONETTA KULJETETTAESSA

- Kuljeta konetta polttoainesäiliö TYHJÄNÄ.

SÄILYTETTÄESSÄ BENSIINIÄ TAI KONETTA, JONKA POLTTOAINESÄILIÖSSÄ ON POLTTOAINETTA

- Säilytä poissa uunien, liesien, vedenlämmittimien ja muiden sytytysliekkiä käyttävien laitteiden sekä muiden syttymislähteiden läheisyydestä, koska ne voivat sytyttää bensiinihöyryt.

TURVALLISUUSOHJEET



VAROITUS: Tämä laite voi aiheuttaa käsien ja jalkojen katkeamisen sekä singota esineitä. Lue nämä turvallisuusohjeet ja noudata niitä tarkasti. Ellet noudata näitä ohjeita, voit menettää laitteen hallinnan, aiheuttaa vakavia henkilövahinkoja tai kuoleman itsellesi tai sivullisille tai vahingoittaa omaisuutta ja laitetta. Kolmio tekstissä merkitsee tärkeää huomautusta tai varoitusta, jota on noudatettava.

Lumilingon käyttöä koskevat turvatoimenpiteet

TÄRKEÄÄ: Turvallisuusstandardit edellyttävät käyttäjän läsnäolon vaatuvia ohjaimia, joilla minimoidaan vaurioriski. Lumilingossasi on tällaiset turvaohjaimet. Älä yritä missään olosuhteissa kumota käyttäjän läsnäoloa vaativien ohjainten toimintaa.

Ohjeistus

1. Lue ennen laitteen käyttöä kaikki laitteessa ja käyttöohjeessa olevat ohjeet siten, että ymmärrät ne. Noudata näitä ohjeita. Tutustu perusteellisesti ohjaimiin ja laitteen oikeaan käyttöön. Selvitä, miten laite pysäytetään ja ohjaimet irtikytketään nopeasti.
2. Älä koskaan anna lasten käyttää laitetta. Älä anna aikuisten käyttää laitetta, elleivät he ole saaneet asianmukaista ohjeistusta.
3. Älä päästä työskentelyalueelle ketään, ei etenkin pieniä lapsia tai kotieläimiä.
4. Opettele varomaan liukastumista ja kaatumista, erityisesti peruutuksessa.

Valmistelu

1. Tutki työskentelyalue perusteellisesti. Poista kaikki ovimatot, kelkat, lumilaudat, johdot ja muut vierasesineet.
2. Kytke irti kaikki kytkimet ja siirrä vapaalle ennen moottorin käynnistämistä.
3. Älä käytä laitetta ilman sopivaa talvivaatetusta. Käytä jalkineita, jotka parantavat pitoa liukkailla pinnoilla. Vältä löysiä vaatteita, jotka voivat tarttua liukkuviin osiin.
4. Käsittele polttoainetta varoen; se on erittäin herkästi syttyvää.
 - a. Käytä hyväksytyä polttoainesäiliötä.
 - b. Älä koskaan lisää polttoainetta käynnissä olevaan tai kuumaan moottoriin.
 - c. Täytä polttoainetankki ulkona erityistä varovaisuutta noudattaen. Älä koskaan täytä polttoainetankkia sisätiloissa. Sulje polttoainetankin korkki huolellisesti ja pyyhi pois läikkynyt polttoaine.
 - d. Älä koskaan täytä säiliötä ajoneuvon sisällä tai kuorma-auton lavalla tai perävaunussa, jossa on muovinen peite. Aseta säiliöt aina ennen täyttämistä maahan, irti ajoneuvostasi.
 - e. Jos mahdollista, poista kaasukäyttöinen laite kuorma-autosta tai perävaunusta ja täytä se maassa. Jos tämä ei ole mahdollista, täytä se perävaunussa mieluummin irtosäiliöstä kuin kaasuletkun suuttimesta.
 - f. Pidä suutin kiinni polttoainetankin reunassa tai säiliön aukossa koko täytön ajan. Älä käytä suuttimen lukitus- ja avaustoimintoa.
 - g. Sulje kaasusäiliön korkki huolellisesti ja pyyhi pois läikkynyt polttoaine.
 - h. Jos polttoainetta on läikkynyt vaatteille, vaihda vaatteet heti.
5. Käytä valmistajan määrittämiä jatkojohtoja ja pistorasioita kaikkiin yksiköihin, joissa on sähköinen käyttömoottori tai käynnistysmoottori.
6. Säädä kerääjän rungon korkeus siten, että se on irti sora- tai murskekivipinnasta.

7. Älä koskaan yritä tehdä säätöjä moottorin käydessä (paitsi valmistajan erityisesti niin suositellessa).
8. Anna moottorin ja lumilingon olla ulkolämpötilassa lämpötilan tasaantumiseksi ennen lumen puhdistuksen aloittamista.
9. Käytä aina työskentelyn, säädön tai korjauksen aikana suojalaseja tai silmäsuojaimia, jotka suojaavat silmiä laitteesta mahdollisesti lentäviltä vierasesineiltä.
10. Älä koskaan käytä lumilinkoa ilman kunnollisia suojaimia, suojalevyjä tai muita suojalaitteita.

Käyttö

1. Älä pane käsiä tai jalkoja pyörivien osien lähelle tai alle. Pysy koko ajan poissa poistoaukolta.
2. Noudata erityistä varovaisuutta työskennellessäsi sorapäällysteisillä ajo-, kävely- tai maanteillä tai ylittäessäsi soratien. Pysy varuillasi yllättävien vaarojen tai liikenteen varalta.
3. Jos vierasesine iskeytyy laitteeseen, sammuta moottori, irrota sytytystulpan johdin, kytke irti sähkömoottorien johto ja tarkasta huolellisesti, ettei lumilingossa ole vaurioita. Korjaa vauriot ennen uudelleen käynnistämistä ja lumilingon käyttöä.
4. Jos laite tärisee käynnistettäessä epänormaalisti, sammuta moottori ja tarkista välittömästi tärinän syy. Tärinä varoittaa yleensä ongelmasta.
5. Sammuta moottori, aina kun jätät työskentelypaikan, ennen kuin poistat tukkeuman kerääjän/puhaltimen rungosta tai heittotorvesta tai kun teet korjauksia, säätöjä tai tarkastuksia.
6. Kun puhdistat, korjaat tai tarkastat laitetta, varmista, että kerääjä/puhallin ja kaikki liikkuvat osat ovat pysähtyneet. Irrota sytytintulpan johdin ja pidä se erillään sytytystulpasta, jotta laite ei käynnisty vahingossa.
7. Älä käytä laitetta sisätiloissa, paitsi käynnistäessäsi moottorin lumilingon kuljettamiseksi sisään tai ulos. Avaa ulko-ovet; pakokaasut ovat vaarallisia (ne sisältävät HIILIMONOKSIDIA, joka on HAJUTON ja TAPPAVA KAASU).
8. Noudata äärimmäistä varovaisuutta työskennellessäsi rinteissä. Älä yritä puhdistaa jyrkkiä rinteitä.
9. Älä koskaan käytä lumilinkoa ilman kunnollisia paikoilleen asetettuja ja toimivia suojaimia, suojalevyjä tai muita suojalaitteita.
10. Älä koskaan suuntaa suihkua ihmisiä kohti tai alueelle, jossa omaisuudelle voi aiheutua vahinkoa. Pidä lapset ja kaikki muut poissa lähetyviltä.
11. Älä ylikuormita laitetta yrittämällä puhdistaa lunta liian nopeasti.
12. Älä koskaan käytä laitetta suurella nopeudella liukkailla pinnoilla. Katso taaksepäin ja noudata huolellisuutta peruuttaessasi.
13. Kytke virta pois kerääjästä/puhaltimesta, kun lumilinkoa kuljetetaan tai se ei ole käytössä.
14. Käytä ainoastaan lumilingon valmistajan hyväksymiä lisälaitteita ja varusteita (kuten hyttiä, lumiketjuja tms.).
15. Älä koskaan käytä lumilinkoa, ellei näkyvyys tai valaistus ole hyvä. Varmista aina jalansijasi ja pidä luja ote kahvoista. Kävele; älä koskaan juokse.
16. Älä koskaan koske kuumaan moottoriin tai vaimentimeen.
17. Älä koskaan käytä lumilinkoa lähellä lasiseiniä, autoja, ikkuna-aukkoja, alamäkiä ja vastaavia, ellei poistokulma ole oikein säädetty.

18. Älä koskaan suuntaa lumisuihkua sivullisiin äläkä anna kenenkään olla laitteen edessä.
19. Älä koskaan jätä käyvää laitetta ilman valvontaa. Kytke aina syöttöruuvi ja luistonesto irti, sammuta moottori ja irrota avaimet.
20. Älä käytä laitetta alkoholin tai lääkkeiden vaikutuksen alaisena.
21. Muista, että käyttäjä on vastuussa muille ihmisille tai omaisuudelle sattuvista onnettomuuksista.
22. Tiedetään, että 60-vuotiaat ja sitä vanhemmat käyttäjät saavat prosentuaalisesti paljon voimalaitteisiin liittyviä vammoja. Näiden käyttäjien tulisi arvioida kykynsä käyttää laitetta tarpeeksi turvallisesti suojellakseen itseään ja muita onnettomuuksilta.
23. ÄLÄ käytä pitkiä huiveja tai löysiä vaatteita, jotka voivat takertua liikkuviin osiin.
24. Lumi voi kätkeä esteet. Varmista, että puhdistettavalla alueella ei ole mitään esteitä.

Lapset

Järkyttäviä onnettomuuksia voi tapahtua, jos käyttäjä ei ole varautunut lasten läsnäoloon. Lapset ovat usein kiinnostuneita laitteesta ja sen toiminnasta. Älä koskaan oletta, että lapset pysyvät siinä, missä viimeksi näit heidät.

1. Jätä lapset alueen ulkopuolelle toisen vastuullisen aikuisen valvontaan.
2. Ole varuillasi ja muuta suuntaa, jos lapsia tulee alueelle.
3. Älä koskaan anna lasten käyttää laitetta.
4. Ole erityisen huolellinen, jos lähestyt kuolleita kulkimia, pensaita, puita tai muita kohteita, jotka saattavat peittää näkyvyyden.

Tukkeutuneen heittotorven puhdistaminen

Lumilingon aiheuttaman vamman syynä on useimmiten käden koskettaminen heittotorven sisällä pyörivään puhaltimeen. Älä koskaan käytä kättäsi heittotorven puhdistamiseen.

Puhdista torvi seuraavasti:

1. SAMMUTA MOOTTORI.
2. Odota 10 sekuntia, jotta puhaltimen siivet ovat varmasti pysähtyneet.
3. Käytä aina puhdistustyökaluja, äläkä käsiäsi.

Huolto, kunnossapito ja säilytys

1. Varmista laitteen turvallinen toimintakunto tarkistamalla usein, että murtopultit ja muut pultit ovat oikeassa tiukkuudessa.

2. Älä koskaan varastoi laitetta, jonka tankissa on polttoainetta, sellaiseen sisätilaan, joissa on palonsyttymislähteitä, kuten kuumavesilämmittimiä, lämmityslaitteita tai vaatteiden kuivaajia. Anna moottorin jäähtyä ennen laitteen varastointia sisälle.
3. Tarkista aina käyttöohjeesta tärkeät lisätiedot, jos lumilinko on varastoitava pidemmäksi aikaa.
4. Pidä turva- ja ohjemerkinnet kunnossa tai vaihda ne tarvittaessa uusiin.
5. Käytä konetta useita minuutteja lumen heittämisen jälkeen, jotta kerääjä/puhallin ei jäätyisi.
6. Jos polttoainetta on läikkyneet, älä yritä käynnistää moottoria, vaan siirrä laite pois roiskealueelta ja vältä syttymislähteitä, kunnes polttoainehöyryt ovat haihtuneet.
7. Huolehdi aina, että polttoaineen täyttäminen ja käsittely tapahtuvat turvallisesti, kun laitteeseen lisätään polttoainetta kuljetuksen tai varastoinnin jälkeen.
8. Noudata aina moottorin käyttöohjeita varastoinnin valmistelussa ennen laitteen varastoimista niin lyhyeksi kuin pitkäksi aikaa.
9. Noudata aina moottorin käyttöohjeita käynnistäessäsi -laitteen, kun otat sen uudelleen käyttöön.
10. Pidä mutterit ja pultit tiukalla ja pidä laite hyvässä kunnossa.
11. Älä koskaan kajoa turvalaitteisiin. Tarkista säännöllisesti, että turvalaitteet toimivat oikein ja tee tarvittavat korjaukset, jos ne eivät toimi oikein.
12. Osat ovat kuluvia, vaurioituvia ja käytössä heikkeneviä. Tarkista ne usein ja vaihda tarvittaessa valmistajan suosittelemiin osiin.
13. Tarkista laitteen toiminta usein. Säädä ja huolla tarvittavalla tavalla.
14. Käytä korjauksiin ainoastaan tehtaan hyväksymiä varaosia.
15. Noudata aina kaikissa asetuksissa ja säädöissä tehtaan ohjearvoja.
16. Päähuoltoihin ja korjauksiin tulee käyttää vain valtuutettuja huoltopaikkoja.
17. Älä koskaan yritä tehdä laitteelle isoja korjauksia, ellei ole saanut siihen koulutusta. Vääränlaiset huoltotoimenpiteet voivat aiheuttaa vaaroja laitteen toimintaan sekä laitevaurioita, ja voit menettää valmistajan takuun.

Päästöt

1. Moottorin poistokaasu sisältää kemikaaleja, joiden tiedetään tiettyinä määrinä aiheuttavan syöpää, syntymävikoja tai hedelmällisyyteen liittyviä ongelmia.
2. Katso moottorin päästötiedoista päästöjen kesto ja ilmakerroin (Emissions Durability Period ja Air Index), mikäli ne on annettu.

Sytytysjärjestelmä

1. Tämä sytytysjärjestelmä vastaa ICES-002 –standardia (Kanada).

KOKOONPANO

Lue ja noudata lumilingon kokoamista ja säätöä koskevia ohjeita. Kaikki kiristimet ovat osapussissa. Älä heitä mitään osia pois ennen kuin laite on koottu.



VAROITUS: Irrota johto sytytystulpasta ennen lumilingon kokoamista tai huoltoa.

HUOMAA: Tässä ohjekirjassa oikea ja vasen kuvaavat osan sijaintia käyttäjän näkökulmasta laitteen takaa.

HUOMAA: Vääntömomentti mitataan jalkanauloina tai metrijärjestelmässä newtonmetreinä (Nm). Tämä lukema ilmoittaa mutterin tai pultin vaaditun tiukkuuden. Vääntömomentti mitataan momenttiavaimella.

HUOMAA: Kiinnikkeet ja irto-osat näkyvät täydessä koossa kuvassa 2 sivulta 175.

HUOMAA: Kuvat ovat sivulla 2 ja sivuilla 176–181.

Vaaditut työkalut

- 1 Veitsi
- 1 Pihdit
- 2 1/2 tuuman kiintoavain
- 2 9/16 tuuman kiintoavain
- 2 3/4 tuuman kiintoavain
- 1 Mittanauha tai viivoitin
- 1 Ruuvimeisseli

Lumilingon poistaminen pakkauksesta

1. **(Kuva 3)** Lumilinko pakkauksessaan.
 2. Leikkaa pakkauksen kaikki neljä kulmaa auki ja aseta pakkaus lappeelleen tai poista laatikko alustasta vetokahvan avulla.
 3. Katkaise ja hävitä käynnistyskammen ja nopeuden ohjaussauvan muovisiteet
 4. Poista kaikki erikseen pakatut osat pakkauksesta.
 5. Irrota ja hävitä lumilingon ympärillä oleva pakkausmateriaali.
 6. **(Kuva 1)** Korkeudensäätökiskot (7) on kiinnitetty kuljetusta varten kuormalavaan. Irrota ruuvit (17), jotka pitävät korkeudensäätökiskoja (7) kiinni kuormalavassa
 7. Pidä kiinni alemmasta kahvasta ja vedä lumilinko ulos pakkauksesta.
- HUOMIO:** Älä peruuta vaijerien yli.
8. Irrota pakkausmateriaali kahvan ympäriltä.
 9. Katkaise kytkinohjausvaijerien (1) ja alemman kahvan (2) siteet. Siirrä vaijerit erilleen moottorikehyksestä.

Kahvan kokoaminen

1. **(Kuva 4)** Löysää alemman kahvan (3) yläreikien kiinnittimet (1), mutta älä irrota niitä.
 2. Irrota kiinnittimet alemman kahvan (3) alareilistä.
 3. **(Kuva 1)** Aseta vaihtovipu (6) ensimmäiseen eteen-kohtaan.
 4. **(Kuva 4)** Nosta ylempi kahva (2) toiminta-asentoon.
- HUOMAA:** Varmista, että vaijerit eivät jää ylempään ja alemman kahvan väliin.

5. Asenna kiinnikkeet, jotka poistettiin vaiheessa 2. ÄLÄ kiristä ennen kuin kaikki kiinnikkeet ovat paikoillaan.
6. Kiristä kaikki kädensijojen kiristimet.

Nopeudenohjaustangon asennus

1. **(Kuva 9)** Kiinnitä nopeudenohjaustangon (2) alapäässä oleva pallonivel (6) haarukkaan (7). Kiinnittimet (8) on kiinnitetty palloniveleen (6) tehtaalla. Palloniveleen (6) ja nopeudenohjaustangon (2) pituudet on säädetty valmiiksi tehtaalla. Jos säätö on tarpeen, löysää mutteria (9). Irrota kiinnittimet (8) irrottaaksesi palloniveleen (6) haarukasta (7). Nopeudenohjaustanko (2) voidaan pidentää tai lyhentää sopivan mittaiseksi kääntämällä välikappaletta (10).
2. **(Kuva 12)** Kiinnitä kahva (11) nopeudenvalintavipuun (5). Joissakin malleissa kahva (11) on jo kiinnitetty. Lukitse se tiukasti paikoilleen kiristämällä kuusiomutteri (10) kahvan (11) pohjaa vasten.
3. Varmista, että nopeudenvalintavipu (5) toimii oikein. Liikuta nopeudenvalintavipua (5) kaikkien nopeuksien lävitse.

Nupprien asentaminen

HUOMAA: Jos nupit on jo asennettu, siirry seuraavaan kohtaan.

Poistoaukon nuppi (Kuva 12)

1. Kiinnitä nuppi (1) vipuun (3), kunnes se on tukevasti mutteria (2) vasten. Joissakin malleissa poistoaukon nuppi (1) on jo kiinnitetty.
2. Varmista, että poistoaukon nupin (1) huullos (4) osoittaa moottoria kohti.
3. Kiristä mutteri (2) poistoaukon nupin (1) pohjaa vasten.

Poistoaukon suuntauslevyn kokoaminen

1. **(Kuva 6)** Irrota kantopultti (1).
2. Nosta suuntauslevy (2) toiminta-asentoon (3).
3. Kiristä suuntauslevy (2) laipaan (4) kantopultilla (1). Varmista asentaessasi, että kantopulttien (1) päät tulevat laipan (2) sisäpuolelle.
4. Kiristä aluslevyllä (5) ja lukkomutterilla (6).
5. Kiristä lukkomutteri (6) hyvin.

HUOMAA: Varmista, että kaikki laipan kantopultit ovat tiukassa. ÄLÄ KIRISTÄ LIIKAA.

Vaijerien tarkastaminen

1. **(Kuva 8)** Tarkista vetokäyttövaijerie (1) ja ruuviosan vaijeri (2). Jos vaijerien alaosat ovat irronneet, asenna vaijerit takaisin.
2. **(Kuva 10)** Jos vaijerien (5) yläosat ovat irronneet vaijerivivusta (6), kiinnitä vaijerit (5) ”Z”-liitimeen (7).

Liukukiskojen korkeuden säätäminen (Kuva 1)

Lumilingossa on korkeudeltaan säädettävät liukukiskot (7). Ne on asennettu ruuviosan kotelon (4) ulkopuolelle. Lisätietoa liukukiskojen korkeuden säätämisestä saat huolto-osuuden kohdasta ”Liukukiskojen korkeuden säätäminen”.

Vaijerien pituuden säätäminen

Vaijerit on säädetty tehtaalla eikä niiden säätäminen ole yleensä tarpeen. Sen jälkeen kun kädensijat on laitettu käyttöasentoon, kaapelit voivat kuitenkin olla liian kireällä tai löysällä. Jos säätäminen on tarpeen, katso ohjeita Huolto ja säädöt –osan kohdasta ”Vaijerien tarkastaminen ja säätäminen”.

Kinosleikkurin kokoaminen (jos kuuluu varusteisiin)

Kinosleikkureita käytetään leikkaamaan polku, jos lumikerros on paksumpi kuin ruuviosan kotelo.

1. **(Kuva 11)** Löysää siipimuttereita (2), jotka kiinnittävät kinosleikkuri (1) ruuviosan koteloon.
2. Nosta kinosleikkurit (1) halutulle korkeudelle.
3. Kiristä siipimutterit (2).

Moottorin valmistelu

HUOMAA: Moottori on toimitettu tehtaalla täytettynä öljyllä. Tarkista öljyn määrä. Lisää tarvittaessa.



VAROITUS: Noudata moottorinvalmistajan öljy- ja bensiniityyppiä koskevia ohjeita. Älä tupakoi lisätessäsi bensiniä moottoriin. Älä lisää bensiniä ollessasi sisätiloissa. Pysäytä moottori ja anna sen jäähtyä muutama minuutti ennen polttoaineen lisäämistä.

Lue valmistajan polttoainetta ja öljyä koskevat ohjeet. Lue myös turvallisuutta, käyttöä, huoltoa ja säilytystä koskevat ohjeet ennen laitteen käyttöönottoa.

Tärkeää! Ennen käytön aloittamista

- Tarkasta kiinnittimet. Varmista, että kaikki kiinnittimet ovat kireällä.
- Sähkökäynnistimellä varustetut mallit on toimitettu käynnistimen johto moottoriin kytkettyinä. Irrota käynnistimen johto moottorista ennen käyttöä.
- Jos kahvaan on kiinnitetty viivakoodilappu, irrota se ennen käyttöä.

KÄYTTÖ

HUOMAA: Kuvat ovat sivulla 2 ja sivuilla 176–181.

HUOMIO: Käytä vain lisälaitteita ja tarvikkeita, jotka lumilingon valmistaja on hyväksynyt (kuten lumiketjuja, sähkökäynnistimiä ja muita vastaavia).

Tunne lumilinkosi (Kuva 1)

Lue tämä ohjekirja ja turvallisuusäännöt ennen lumilingon käyttöönottoa. Vertaa kuvia lumilinkoon ja opettele eri ohjainten ja säätöjen sijainnit.

Poistettavan lumen ohjaaminen



VAROITUS: Älä koskaan kohdistaa poistoajattettua ihmisiin.



VAROITUS: Pysäytä aina moottori ennen poistoaukon tai ruuviosan kuoren puhdistamista ja kun poistut lumilingon luota.

1. **(Kuva 5)** Aseta lumen heittosuunta (vasemmalta oikealle) sähköistä poistoaukon kytkintä (2) siirtämällä.
2. **Poistovivun (17)** vetäminen taaksepäin saa poistolumen suuntautumaan korkealle ja kauas. **Poistovivun (17)** työntäminen eteenpäin saa poistolumen suuntautumaan alas.

Lumilingon pysäyttäminen (Kuva 1)

1. Pysäytä moottori vapauttamalla **ruuviosan käyttövipu (5)**.
 2. Pysäytä pyörät vapauttamalla **vetokäyttövipu (1)**.
 3. Jos kone on varustettu **kaasuvivulla (13)**, pysäytä moottori siirtämällä **kaasuvipu (13)** ensin HIDAS-asentoon ja sitten PYSÄYTYS-asentoon.
 4. Jos kone on varustettu **käynnistyskytkimellä (13)**, pysäytä moottori siirtämällä **käynnistyskytkin (13)** POIS-asentoon.
 5. Irrota **turva-avain (8)** vetämällä se ulos.
- HUOMIO:** Älä pysäytä moottoria siirtämällä rikastinta (13) PÄÄLLÄ-asentoon. Moottorissa voi tapahtua takaisku tai moottori voi vahingoittua.

Liikkuminen eteen- tai taaksepäin (Kuva 1)

1. Muuta kulkunopeutta vapauttamalla ensin **vetokäyttövipu (1)** ja siirtämällä **nopeudenvaihtovipu (6)** halutun nopeuden kohdalle.
 2. Kulkunopeus määrittynyt lumiolosuhteiden mukaan. Valitse nopeus siirtämällä **nopeudenvaihtovipu (6)** halutun pykälän kohdalle.

Nopeus 1, 2	Märkä, raskas lumi
Nopeus 3	Kevyt lumi
Nopeus 4	Erittäin kevyt lumi
Nopeus 5, 6	Vain kuljetus
 3. Liiku eteenpäin kytkemällä **vetokäyttövipu (1) päälle**. Pidä tiukasti kiinni kahvasta, kun lumilinko alkaa liikkua eteenpäin. Ohjaa lumilinkoa liikuttamalla kahvaa vasemmalle tai oikealle. Älä yritä työntää lumilinkoa.
 4. Taaksepäin pääset vapauttamalla **vetokäyttövivun (1)**.
 5. Siirrä **nopeudenvaihtovipu (6)** 1. tai 2. peruutusvaihteelle.
 6. Kytke **vetokäyttövipu (1)** päälle.
- TÄRKEÄÄ:** Älä liikuta nopeudenvaihtovipua (6) vetokäyttövivun (1) ollessa päällä.

Lumen linkoaminen (Kuva 1)

1. Kytke ruuviosan **käyttövipu (5)** päälle.
2. Lopeta lumen linkoaminen vapauttamalla ruuviosan käyttövipu (5).



VAROITUS: Lumilinko saattaa lennättää materiaalia, joka voi olla vaaraksi silmille. Suosittelemme suojaamaskin tai suojalasien käyttöä aina, kun lumilinkoa käytetään.

Lämmitettävien kahvojen käyttäminen (Kuva 5)



VAROITUS: Lämmitettävät kahvat on tarkoitettu käytettäväksi pakkasella. Älä kytke näitä sähkökahvoja päälle, jos lämpötila on yli 0 °C.

Kun lämpötila laskee pakkasen puolelle, voit pitää kätesi lämpiminä lämmitettävien kahvojen avulla. Siirrä **lämmitettävien kahvojen kytkin (20)** ON-asentoon (päälle). Kahvat lämpenevät parin minuutin kuluessa. Koska kahvat voivat tulla erittäin lämpimiksi, suosittelemme käsineiden käyttöä. Jos kahvat tuntuvat liian kuumilta, kytke ne pois päältä.

Ennen moottorin käynnistämistä

1. Ennen kuin huollat konetta tai käynnistät sen, tutustu lumilinkoon huolella. Varmista, että ymmärrät täydellisesti kaikkien ohjainten toiminnot ja sijainnit.
2. Tarkista kytkinvaljain kireys ennen moottorin käynnistämistä. Lisätietoja on tämän ohjekirjan kohdassa "Kytkeinvaljain säätäminen".
3. Varmista, että kaikki kiristimet ovat kireällä.
4. Varmista, että kaikkien säädettävien liukukiskojen korkeudet on säädetty oikein. Lisätietoja on tämän ohjekirjan kohdassa "Liukukiskojen korkeuden säätäminen".
5. Tarkasta renkaiden ilmanpaine. Oikea ilmanpaine on 1–1,25 bar (14–17 psi). Älä ylitä renkaan kylkeen merkittyä suurinta sallittua ilmanpainetta.

Moottorin pysäyttäminen (Kuva 1)

1. Jos kone on varustettu **kaasuvivulla (13)**, pysäytä moottori siirtämällä **kaasuvipu (13)** ensin HIDAS-asentoon ja sitten PYSÄYTYS-asentoon.
2. Jos kone on varustettu **käynnistyskytkimellä (13)**, pysäytä moottori siirtämällä **käynnistyskytkin (13)** POIS-asentoon.
3. Irrota **turva-avain (8)** vetämällä se ulos. **Säilytä virta-avain (8)** turvallisessa paikassa. Moottori ei käynnisty ilman **virta-avainta (8)**.

HUOMIO: Älä pysäytä moottoria siirtämällä rikastinta (13) PÄÄLLÄ-asentoon. Moottorissa voi tapahtua takaisku tai moottori voi vahingoittua.

Moottorin käynnistäminen (Kuva 1)

Mallit, joissa on sähköinen käynnistys

HUOMAA: Sähkökäynnistinpaketti voidaan lisätä käynnistysnarulla varustettuihin moottoreihin. Sähkökäynnistinpaketteja on saatavilla lähimmästä valtuutetusta huoltopisteestä.



VAROITUS: Käynnistimessä on kolmosainen virtajohto ja se on suunniteltu toimimaan 220 voltin jännitteellä. Johdon on oltava aina oikein maadoitettu sähköiskujen välttämiseksi. Noudata tarkasti kaikkia "Moottorin käynnistäminen" -osan ohjeita. Varmista, että kotisi sähköjärjestelmä ei tue kolmejohtimisia maadoitettuja kolmejohtimisia johtoja. Jos et ole varma, tiedustele asiaa valtuutetulta sähköasentajalta. Jos kotisi sähköjärjestelmä ei tue kolmejohtimisia johtoja, älä käytä tätä sähkökäynnistintä missään olosuhteissa. Jos järjestelmäsi on maadoitettu, mutta maadoitettu kolmijohdinpistorasia ei ole käytettävissä, anna valtuutetun asentaa sellainen. Liitä aina ensin 220 voltin virtajohto moottorin kytkinrasiaan (11), liitä toinen pää pistorasiaan. Kun irrotat virtajohdon, irrota aina pistorasiaa oleva pää ensin.

Kylmän moottorin käynnistäminen (Kuva 1)

1. Tarkista moottoriöljy.
2. Täytä polttoainesäiliö tavallisella liijyttömällä bensinillä. Katso kohtaa "Moottorin valmistelu".
3. Varmista, että **vetokäyttövipu (1)** ja **ruuviosan käyttövipu (5)** on kytketty pois päältä (vapautettu).
4. Jos kone on varustettu **kaasuvivulla (13)**, siirrä **kaasuvipu (13)** NOPEA-asentoon moottorin käynnistämistä varten. Käytä moottoria **kaasuvipu (13)** NOPEA-asennossa.
5. Jos kone on varustettu **käynnistyskytkimellä (13)**, siirrä **käynnistyskytkin (13)** PÄÄLLÄ-asentoon moottorin käynnistämistä varten.
6. Työnnä **turva-avain (8)** moottorin avaimenreikään. Varmista, että **turva-avain (8)** on työnnetty pohjaan asti. **Älä käännä virta-avainta (8)**.
7. Siirrä **rikastinkytkin (14)** täysi-asentoon.
8. **(Sähköinen käynnistys)** Liitä virtajohto moottorissa olevaan kytkinrasiaan (11).
9. **(Sähköinen käynnistys)** Liitä virtajohdon toinen pää 220 V:n maadoitettuun pistorasiaan. (Katso tämän osan VAROITUS-kohtaa).
10. Paina **ryppypumpun painiketta (9)**. Aina kun painat **ryppypumpun painiketta**, odota kaksi sekuntia. Lisätietoja **ryppypumpun painikkeen (9)** tarvittavista painamiskerroista on moottorinvalmistajan ohjeissa.
11. **(Sähköinen käynnistys)** Paina **sähkökäynnistyspainiketta (10)**, kunnes moottori käynnistyy. Älä pidä sitä pohjassa yli 5 sekuntia kerrallaan. Odota minuutti käynnistysyritysten välillä, jotta käynnistin ehtii jäähtyä.
12. **(Käynnistysnaru)** Vedä hitaasti **käynnistysnarun kahvasta (12)**, kunnes tunnet vastusta, ja käynnistä sitten moottori vetämällä kahvasta nopeasti. Älä anna **käynnistysnarun kahvan (12)** napsahtaa takaisin. Palauta **käynnistysnarun kahva (12)** paikalleen hitaasti.
13. Jos moottori ei käynnisty viidellä tai kuudella yrittämällä, katso lisätietoja kohdasta "Ongelmanratkaisu".

14. Anna moottorin lämmentä usean minuutin ajan. Säädä rikastimen nuppia (14) AJO-asentoa kohti moottorin lämmitessä. Odota, kunnes moottori käy tasaisesti, ennen kuin säädät rikastinta.
15. **(Sähköinen käynnistys)** Irrota ensin virtajohto pistorasiasta. Irrota sitten virtajohto kytkinrasiasta (11).
HUOMAA: Jos lämpötila on alle -18°C (0°F), anna moottorin lämmentä muutaman minuutin ajan ennen lumen linkoamista.
16. Kun linkoat lunta, pidä kaasuvipu (13) (jos varusteina) aina nopea-asennossa moottorin ollessa päällä.



VAROITUS: Älä koskaan käytä moottoria sisätiloissa tai huonosti ilmastoiduissa tiloissa. Moottorin pakokaasu sisältää hääkää, joka on hajutonta ja hengenvaarallista kaasua. Pidä kädet, jalat, hiukset ja vaatteet etäällä moottorin ja lumilingon pyörivistä osista. Äänenvaimentimen ja sen ympärillä olevien osien lämpötila saattaa ylittää 66°C (150°F). Vältä näitä kohtia.

Lämpimän moottorin käynnistäminen (Kuva 1)

Jos moottori on ollut käynnissä ja on edelleen lämmin, jätä rikastin (14) pois päältä, äläkä paina ryyppypumpun painiketta (9). Jos moottori ei käynnisty, lue ohjeet kohdasta "Kylmän moottorin käynnistäminen".

HUOMAA: Älä käytä ryyppypumpun painiketta (9) lämpimän moottorin käynnistämässä.

Moottorin käynnistäminen kylmällä sähkökäynnistimellä (Kuva 1)

Jos sähkökäynnistys on jäänyt, eikä moottori käynnisty, noudata alla olevia ohjeita.

1. Vedä mahdollisimman paljon käynnistysnarua ulos käynnistimestä.
2. Vapauta käynnistimen kahva ja anna sen napsahtaa takaisin käynnistintä vasten. Toista, kunnes moottori käynnistyy.

Lämpimät moottorit aiheuttavat tiivistymistä kylmässä ilmassa. Mahdollinen käynnistimen ja moottorinohjainten jäätyminen voidaan estää suorittamalla seuraavat toimenpiteet aina lumitöiden jälkeen.

1. Pidä lumilinko käynnissä muutaman minuutin ajan ennen lumen raivaamista. Näin estät poran/siipipyörän jäätyneen.
2. Anna moottorin jäähtyä sammutettuna usean minuutin ajan.
3. Vedä käynnistysnarua hyvin hitaasti ja lopeta vetäminen, kun tunnet vastusta. Anna käynnistysnarun kelautua takaisin. Toista kolme kertaa.
4. Pyyhi kaikki lumi ja kosteus kaasuttimen kannesta ohjainten ja vipujen alueelta moottorin ollessa pois päältä. Siirrä myös kuristimen säädintä ja käynnistimen kahvaa useita kertoja.

Lumen tai roskien poistaminen ruuviosan kotelosta



VAROITUS: Älä koskaan yritä poistaa ruuviosan koteloon tarttunutta lunta tai roskaa käsin. Käytä lumen tai roskien irrottamiseen puhdistuskeppiä tai sorkkarautaa.

(Kuva 7) Puhdistuskeppi on kiinnitetty ruuviosan kotelon päälle. Käytä puhdistuskeppiä lumen poistamiseen ruuviosan kotelosta.

1. (Kuva 1) Vapauta ruuviosan käyttövipu (5).
2. Anna moottorin.
3. Irrota (älä käänä) virta-avain (8).
4. Irrota sytytystulpan johto.

5. Älä laita käsiäsi ruuviosan koteloon (4) tai poistoaukkoon (3).
6. (Kuva 7) Käytä puhdistuskeppiä tai Käytä sorkkarautaa tai vastaavaa lumen tai roskien irrottamiseen.

Lumenlinkousvinkkejä

1. Säädä ajonopeutta parhaan mahdollisen lumenheittotehon aikaansaamiseksi. Aja hitaammin syvässä, jäätyneessä tai märässä lumessa. Hidasta ajonopeutta, jos pyörät alkavat luistaa.
2. Lumenlinkoaminen on tehokkainta lingottaessa vastasatanutta lunta.
HUOMIO: Älä ylikuormita konetta yrittämällä raivata lunta liian nopeasti.
3. Lumi on helpoin poistaa tehokkaimmin kulkemalla hieman jokaisen aikaisemman polun ylitse.
4. Poista lumi tuulen myötäisesti aina, kun tämä on mahdollista.
5. Aseta normaalikäytössä liukukiskot niin, että kaavintanko on 3 mm liukukiskojen yläpuolella. Jos lumi on erittäin tiivistä, säädä liukukiskoja niin, että kaavintanko osuu maahan.
6. On varottava, ettei laite poimi maasta kiviä ja soraa ja linkoa niitä. Säädä liukukiskot sorapinnalla 32 mm kaavintangon alapuolelle. Katso huolto-osion kohtaa "Liukukiskojen korkeuden säätäminen".
7. Anna moottorin olla tyhjäkäynnillä muutaman minuutin ajan jokaisen työkerran jälkeen. Lumi ja jääkerrostumat sulavat pois moottorista.
8. Puhdista lumilinko jokaisen käyttökerran jälkeen.
9. Poista jää, lumi ja pirstaleet koko lumilingosta. Poista suola ja muut kemikaalit huuhtelemalla lumilinko puhtaalla vedellä. Pyyhi lumilinko kuivaksi.

HUOLTOTAULUKKO

ASIAKKAAN VELVOLLISUUDET

HUOLTOMERKINNÄT Kirjaa päivämäärät määräaikaishuollon yhteydessä.	Ennen jokaista käyttöä	Ensimmäiset 2 tuntia	5 tunnin välein	10 tunnin välein	25 tunnin välein	Joka talvi	Ennen varastoimista	HUOLTOPÄIVÄMÄÄRÄT
Tarkasta moottorin öljytaso	√		√			√		
Vaihda moottoriöljy					√	√		
Tarkasta ja kiristä kaikki ruuvit ja mutterit	√					√		
Tarkasta ja kiristä kaikki ruuvit ja mutterit					√	√		
Säädä kuljetinhihna		√			√	√		
Tarkasta polttoaine	√							
Tyhjennä polttoainesäiliö							√	
Tarkasta ruuviosan kytkimen vaijerin säätö (katso Vaijerin säätö)		√				√		
Tarkasta vetokytkimen vaijerin säätö (katso Vaijerin säätö)		√				√		
Voitele kaikki saranakohdat				√			√	
Voitele ruuviosan akseli (katso Murtopultin vaihtaminen)				√			√	
Voitele käyttöketjut ja hammaspyörät				√			√	

HUOLTO

HUOMAA: Kuvat ovat sivulla 2 ja sivuilla 176–181.

Käytä seuraavaa huolto-osiota pitääksesi laitteesi hyvässä toimintakunnossa. Kaikki tarvittavat moottoria koskevat huolto-ohjeet ovat moottorinvalmistajan ohjekirjassa. Lue moottorin käyttöohje ennen moottorin käynnistämistä.



VAROITUS: Ennen kuin suoritat mitään tarkistuksia, korjauksia tai säätöjä (paitsi kaasutin), irrota sytytystulpan johto.

Yleisiä suosituksia

Tämän lumilingon takuu ei kata vahinkoja, jotka ovat aiheutuneet käyttäjän virheistä. Takuusta saadaan täysi korvaus ainoastaan käyttäjän noudattaessa tässä ohjekirjassa olevia ohjeita. Joitakin säätöjä on suoritettava säännöllisin väliajoin lumilingon pitämiseksi käyttökunnossa.

Jokaisen käytön jälkeen

- Tarkasta, onko osia kadonnut tai löystynyt.
- Kiristä kaikki löystyneet kiristimet.
- Tarkasta ja huolla ruuviosa tarvittaessa.
- Tarkasta, että kaikki ohjauslaitteet toimivat moitteettomasti.
- Vaihda kuluneet ja vahingoittuneet osat välittömästi.
- Tarkasta kaikki turva- ja ohjekyltit ja -tarrat. Vaihda kaikki puuttuvat tai epäselviksi kuluneet kyltit ja tarrat.

Kaikki Huolto-osiassa luetellut säädöt on tarkistettava vähintään kerran kaudessa (talvessa).

Vaadittaessa

Seuraava säätötoimenpide on suoritettava useammin kuin kerran talvessa.

1. Säädä ruuviosan käyttöhihna ensimmäisen 2 – 4 tunnin jälkeen ja sitten uudelleen talven puolivälissä. Säädä hihna sen jälkeen aina kaksi kertaa talvessa. Katso huolto-osion kohta ”Ruuviosan käyttöhihnan säätäminen”.

Voitelu

Aina 10 tunnin välein (Kuva 14)

1. Voitele kaikki **Zerk-nipat (1)** 10 tunnin välein voiteluruiskulla.
2. Ruuviosan akseli on voideltava joka kerta, kun murtopultti vaihdetaan.
3. Voitele kaikki saranakohdat.

Aina 25 tunnin välein

Ketjut

1. **(Kuva 1)** Siirrä **nopeudenvaihtovipu (6)** ykkösvaihteelle.
2. Poista bensiini polttoainesäiliöstä. Nosta lumilinko ylös **ruuviosan kotelon (4)** etuosa edellä.
3. **(Kuva 22)** Löystä **pultit (3) alapaneelin (2)** kummaltakin puolelta.
4. Irrota **alapaneeli (2)**.



VAROITUS: Tyhjennä polttoaine ulkoilmassa. Älä tyhjennä polttoainesäiliötä avotulen läheisyydessä.

5. **(Kuva 15)** Voitele **ketjut (5)** ketjuvoiteluaineella.

6. Pyyhi **kuusioakseli ja ketjupyörä (6)** 5W30-tyypin moottoriöljyllä.

HUOMAA: Jos rasva tai öljy pääsee koskeutuksiin käyttölevyn (1) tai kitkapyörän (3) kanssa, ne voivat vahingoittua. Puhdista öljy tai rasva alkoholipohjaisella liuottimella.

7. **(Kuva 22)** Asenna **alapaneeli (2)**.
8. Kiristä **pultit (3) alapaneelin (2)** molemmilta puolilta.

Kohdat, joita ei saa voidella (Kuva 15)

1. Älä voitele **kuusiotankoa** äläkä **ketjupyöriä (6)**. Kaikissa laakereissa ja holkeissa on kestovoitelu. Kun laite varastoidaan, kasta kangaspala 5W–30 –moottoriöljyyn ja pyyhi kevyesti **kuusiotanko** ja **ketjupyörät (6)** ruostumisen estämiseksi.
2. Jos öljyä tai rasvaa joutuu **käyttölevylle (1)** tai **kitkapyörälle (3)**, **kitkapyörä (3)** saattaa vahingoittua. Muista puhdistaa **käyttölevy (1)** ja **kitkapyörä (3)** huolellisesti.

HUOMIO: Yllämainittujen osien öljyäminen tai rasvaaminen saattaa aiheuttaa **kitkapyörän (3)** vaurioitumisen. **Kitkapyörä (3)** vahingoittuu, jos rasva tai öljy tulee kosketuksiin käyttölevyn (1) tai kitkapyörän (3) kanssa.

3. Ruuviosan vaihdekotelo voidellaan tehtaalla, eikä sitä tarvitse voidella uudelleen. Jos voiteluaine jostain syystä vuotaa ulos, tarkistuta ruuviosan vaihdekotelo valtuutetussa huoltopisteessä.

Liukukiskojen korkeuden säätäminen (Kuva 1)

Tässä lumilingossa on kaksi korkeudeltaan säädettävää liukukiskoa (7). Nämä kiskot nostavat lumilingon etuosaa. Säädä liukukiskot tavallisia, kovia pintoja (jalkakäytävä, ajotie) varten seuraavasti.

1. Aseta lumilinko tasaiselle pinnalle.
2. Varmista, että kummassakin renkaassa on saman verran ilmaa. Oikea ilmanpaine on 1–1,25 bar (14–17 psi). Älä ylitä renkaan sivussa ilmoitettua suurinta sallittua ilmanpainetta.
3. Aseta osapussista löytyvät ylimääräiset murtopultit kummankin kaavintangon (15) alle liukukiskoja (7) viereen.
4. Löysää kiinnitysmutterit (16), jotka pitävät säädettäviä liukukiskoja (7) paikoillaan. Laske lumilingon etuosaa nostamalla säädettäviä liukukiskoja (7). Kiristä kiinnitysmutterit (16).

HUOMAA: Kivisten tai epätasaisten pintojen kohdalla lumilingon etuosaa on nostettava siirtämällä liukukiskoja (7) alaspäin.



VAROITUS: Muista säilyttää aina turvallinen korkeus maasta. Kivet, sora ja muu vastaava roska saattavat siipipyörään joutuessaan singahtaa ulos suurella nopeudella ja aiheuttaa henkilö- tai omaisuusvahinkoja tai vaurioittaa lumilinkoa.

Kaavintangon säätäminen (Kuva 1)

Kaavintanko (15) kuuluu kovassa käytössä. Kaavintanko (15) on säädettävä suhteessa liukukiskoihin niin, että maanpinnan ja kaavintangon (15) väli on vähintään 3 mm.

1. Aseta lumilinko tasaiselle pinnalle.
2. Varmista, että kummassakin renkaassa on saman verran ilmaa. Oikea ilmanpaine on 1–1,25 bar (14–17 psi). Älä ylitä renkaan sivussa ilmoitettua suurinta sallittua ilmanpainetta.
3. Löysää kantopultit ja mutterit, jotka pitävät kaavintangon (15) kiinni ruuviosan kotelossa (4).
4. Säädä kaavintanko (15) siten, että maanpinnan ja kaavintangon (15) väli on 3 mm.
5. Kiristä kantopultit ja mutterit. Varmista, että kaavintanko (15) on samansuuntainen maanpinnan kanssa.
6. Kaavintangon (15) käyttöikä voidaan pidentää poistamalla se ja asentamalla se toisinpäin.

Vaijerien tarkastaminen ja säätäminen

Vetokäyttövaijeri ja ruuviosan käyttövaijeri on säädetty tehtaalta. Normaalkäytön aikana vaijeri saattaa venyä. Tällöin se on tarkastettava ja säädettävä seuraavasti:

Vaijerien tarkastaminen (Kuva 16)

1. Tarkasta oikea asennus irrottamalla ensin ”Z”-liitin (1) käyttövipusta (2).
2. Liikuta käyttövipua (2) eteenpäin, kunnes se ottaa kiinni muovipuskuriin (3).

3. Ohjausvaijeri on säädetty oikein, jos ”Z”-liitin (1) on kohdistettu (4) käyttövipun (2) reiän kanssa ja vaijeri on suora.

Ruuviosan käyttöhihnan säätäminen

1. Poista bensiini polttoainesäiliöstä. Nosta lumilinko pystyyn ruuviosan kotelon etuosaa vasten.



VAROITUS: Tyhjennä polttoainesäiliö ulkoilmassa. Älä tyhjennä polttoainesäiliötä avotulen läheisyydessä.

2. (Kuva 16) Irrota ”Z”-liitin (1) käyttövipusta (2).
3. (Kuva 17) Vedä jousisuojaus ulos niin, että jousi (5) tulee näkyviin. Työnnä vaijeri (6) jousen (5) lävitse siten, että vaijerin (6) neliöpää (7) tulee näkyviin.
4. Pidä neliöpäästä (7) kiinni pihdeillä ja säädä lukkomutteria (8) sisään tai ulos, kunnes löysät on saatu pois.
5. Vedä vaijeri (6) takaisin jousen (5) lävitse.
6. (Kuva 16) Liitä ”Z”-liitin (1) käyttövipuun (2).

HUOMAA: Tarkista ja säädä vaijeri aina, kun ruuviosan käyttöhihna säädetään tai vaihdetaan.

Vetokäyttöhihnan säätäminen

1. Tyhjennä poltonestesäiliö. Aseta lumilinko pystyyn ruuviosan kotelon etupuolelta.



VAROITUS: Tyhjennä polttoainesäiliö ulkoilmassa. Älä tyhjennä polttoainesäiliötä avotulen läheisyydestä.

2. (Kuva 22) Löysennä pultit (3) alapaneelin (2) kummaltakin puolelta.
3. Poista alapaneeli (2).
4. (Kuva 16) Irrota ”Z”-sovite (1) vetokäyttövipusta (2).
5. (Kuva 27) Liu’uta kaapelikenkä (3) pois kaapelinsäätökiinnikkeestä (4).
6. Työnnä vedonohjauskaapelin (5) alaosa kaapelinsäätökiinnikkeen (4) läpi, kunnes ”Z”-koukun (6) voi poistaa.
7. Poista ”Z”-koukku (6) kaapelinsäätökiinnikkeestä (4). Siirrä ”Z”-koukkaa (6) alaspäin seuraavaan säätöreikään.
8. Vedä vedonohjauskaapeli (5) ylös kaapelinsäätökiinnikkeen (4) läpi.
9. Aseta kaapelikenkä (3) kaapelinsäätökiinnikkeen (4) yli.
10. (Kuva 16) Asenna ”Z”-sovite (1) vetokäyttövipuun (2).
11. (Kuva 15) Tarkista säätö painamalla käyttövipua ja tarkistamalla pituus ”A” käyttöjousesta (7). Kun säätö on oikea, käyttöjousen (7) pituus ”A” on: vähintään 76 mm enintään 85 mm.
12. (Kuva 22) Asenna alapaneeli (2).
13. Kiristä pultit (3) alapaneelin (2) kummaltakin puolelta.

Hihnojen säätäminen

Hihnat venyvät normaalkäytössä. Jos hihnat on korvattava kulumisesta tai ylivenymisestä johtuen, noudata seuraavia ohjeita.

Ruuviosan käyttöhihnan säätäminen

Jos lumilinko ei poista lunta, tarkasta ruuviosan vaijerin säädöt. Katso huolto-osion kohtaa ”Vaijerien tarkastaminen ja säätäminen”. Jos säädöt ovat oikein, tarkista ruuviosan käyttöhihnan kunto. Katso huolto-osion kohtaa ”Hihnojen vaihtaminen”. Jos ruuviosan käyttöhihna on löysällä, säädä se seuraavasti:

1. Irrota sytytystulpan johto.
2. (Kuva 18) Irrota ruuvi (2) hihnansuojuksesta (1). Irrota hihnansuojaus (1).
3. (Kuva 19) Löysää ruuvi (2) välihihnapyörästä (3). Siirrä välihihnapyörää (3) 3 mm lähemmäs ruuviosan käyttöhihnaa (4).
4. Kiristä mutteri (2).
5. (Kuva 21) Paina ruuviosan käyttökytkin alas. Tarkasta ruuviosan käyttöhihnan (4) kireys. Jos säädöt ovat oikein, ruuviosan käyttöhihna (4) painuu 12,5 mm sitä kohtalaisesti painettaessa. Jos säätö ei ole oikein, säädä uudelleen.
6. (Kuva 18) Asenna hihnansuojaus (1). Kiristä ruuvi (2).
7. Tarkasta ruuviosan vaijerin oikea säätö. Katso huolto-osion kohtaa ”Vaijerien tarkastaminen ja säätäminen”.
8. Kiinnitä sytytystulpan johto.

Vetokäyttöhihna

Vetokäyttöhihnan säätäminen on jatkuva jousipaine, eikä sitä tarvitse säätää. Jos vetokäyttöhihna luista, vaihda se. Katso huolto-osion kohtaa ”Hihnojen vaihtaminen”.

Hihnojen vaihtaminen

Käyttöhihnat ovat erikoisvalmisteisia ja ne on korvattava alkuperäisillä tehtaan varaosilla, joita on saatavissa lähimmästä valtuutetusta huolto pisteestä. Jotkut vaiheet edellyttävät toisen henkilön apua.

Ruuviosan käyttöhihnan poistaminen

Jos ruuviosan käyttöhihna on vaurioitunut, lumilinko ei poista lunta. Vaihda vaurioitunut hihna seuraavasti:

1. Irrota sytytystulpan johto.
2. (Kuva 22) Irrota pultit (1) alapaneelin (2) kummaltakin puolelta.
3. Löysennä pultit (3) alapaneelin (2) kummaltakin puolelta.
4. Poista alapaneeli (2).
5. (Kuva 18) Irrota ruuvi (2) hihnansuojuksesta (2). Irrota hihnansuojaus (1).
6. (Kuva 19) Löysää hihnanohjain (9). Vedä hihnanohjain (9) erilleen ruuviosan hihnapyörästä (10).
7. Vedä välihihnapyörä (3) erilleen ruuviosan käyttöhihnasta (4) ja irrota ruuviosan käyttöhihna (4) välihihnapyörältä (3).
8. Irrota ruuviosan käyttöhihna (4) moottorin hihnapyörältä (11). Jotta ruuviosan käyttöhihna (4) voidaan irrottaa, moottorin hihnapyörää (11) on ehkä pyöritettävä.
9. (Kuva 20) Irrota neljä ylintä pulttia (21), jotka pitävät ruuviosan koteloa (22) ja moottorikoteloa (23) yhdessä. Löysää kahta alapulttia (24). Ruuviosan kotelon (22) ja moottorikotelon (23) voidaan nyt erottaa hihnan irrottamista varten.

10. **(Kuva 19)** Irrota vanha ruuviosan käyttöhihna (4) ruuviosan hihnapyörältä (10). Korvaa ruuviosan käyttöhihna (4) alkuperäisellä tehtaan varaosahihnalla, joita saa valtuutetusta huoltopisteestä.
11. Asenna uusi ruuviosan käyttöhihna (4) ruuviosan hihnapyörälle (10).
HUOMAA: Kun kiinnität ruuviosan koteloa (22) moottorikoteloon (23), pyydä toista henkilöä pitämään ruuviosan kytkinvipua KYTKETTY-**asennossa**. Tämä siirtää välivarvata ja hihnapyörää (3) riittävästi, jotta ruuviosan hihnapyörä (10) pystyy siirtymään takaisin paikalleen.
12. Kiinnitä ruuviosan kotelo (22) moottorikoteloon (23) neljällä pultilla (21), jotka irrotettiin vaiheessa 9. Kiristä kaksi alapulttia (24).
13. Asenna ruuviosan käyttöhihna (4) moottorin hihnapyörälle (11).
14. Aseta ruuviosan käyttöhihna (4) välihihnapyörän (3) alle.
15. Säädä ruuviosan käyttöhihna (4). Katso huolto-osion kohtaa "Ruuviosan käyttöhihnan säätäminen".
16. Säädä hihnanohjain (9). Katso huolto-osion kohtaa "Hihnanohjaimen säätäminen".
17. **(Kuva 18)** Asenna hihnansuojus (1). Kiristä ruuvi (2).
18. **(Kuva 22)** Asenna alapaneeli (2).
19. Asenna pultit (1) alapaneelin (2) kummallekin puolelle.
20. Kiristä alapaneelin (2) kummallakin puolella olevat pultit (1) ja pultit (3).
21. Tarkasta vaijerien säädöt. Katso huolto-osion kohtaa "Vaijerien tarkastaminen ja säätäminen".
22. Kiinnitä sytytystulpan johto.

Vetokäyttöhihnan poistaminen

Jos lumilinko ei liiku eteenpäin, tarkasta onko vetokäyttöhihna kulunut tai vaurioitunut. Jos vetokäyttöhihna on kulunut tai vaurioitunut, vaihda se seuraavasti:

1. Irrota sytytystulpan johto.
2. Irrota ruuviosan käyttöhihna. Katso huolto-osion kohtaa "Ruuviosan käyttöhihnan poistaminen".
3. **(Kuva 19)** Irrota e-rengas (17) kääntölevyn akselisauvan (18) toisesta päästä. Irrota kääntölevyn akselisauva (18), jotta kääntölevy pääsee kääntymään eteenpäin.
4. Irrota vetokäyttöjousi (16).
5. Irrota vanha vetokäyttöhihna (13) vetokäyttötaljasta (14) ja moottoritaljasta (15). Korvaa vetokäyttöhihna (13) alkuperäisellä tehtaan varaosahihnalla.
6. Asenna uusi vetokäyttöhihna (13) vetokäyttötaljaan (14) ja moottoritaljaan (15).
7. Varmista, että vetokäyttötalja (12) on oikeassa linjassa vetokäyttöhihnaan (13) nähden.
8. Kiinnitä vetokäyttöjousi (16).
9. Asenna kääntölevyn akselisauva (18) ja kiinnitä se aiemmin irrotetulla e-renkaalla (17).

10. **(Kuva 32)** Kääntölevyn (20) alaosa on sijoitettava kohdistuspalojen (19) väliin. Varmista, että kääntölevy (20) on kiinnitetty oikein paikalleen.
HUOMAA: Jos käyttö ei ota kiinni sen jälkeen kun vetokäyttöhihna on vaihdettu, tarkista että kääntölevy on kohdistuspalojen välissä.
11. **(Kuva 19)** Asenna ja säädä ruuviosan käyttöhihna (4). Katso huolto-osion kohtaa "Ruuviosan käyttöhihnan poistaminen".
12. Säädä hihnanohjain (9). Katso huolto-osion kohtaa "Hihnanohjaimen säätäminen".
13. **(Kuva 22)** Asenna alapaneeli (2).
14. Kiristä pultit (3) alapaneelin (2) kummaltakin puolelta.
15. **(Kuva 18)** Asenna hihnansuojus (1). Kiristä ruuvi (2).
16. Tarkasta vaijerien säädöt. Katso huolto-osion kohtaa "Vaijerien tarkastaminen ja säätäminen".
17. Liitä sytytystulpan johto.

Hihnanohjaimen säätäminen


1. Irrota sytytystulpan johto.
2. **(Kuva 18)** Irrota ruuvi (2). Irrota hihnansuojus (1).
3. **(Kuva 1)** Kytke ruuviosan käyttövipu (5) päälle.
4. **(Kuva 23)** Mittaa hihnanohjaimen (2) ja ruuviosan käyttöhihnan (3) välinen etäisyys. Oikea etäisyys (4) on 3 mm.
5. Jos säätö on tarpeen, löysää hihnanohjaimen (2) kiinnityspultti. Siirrä hihnanohjain (2) oikeaan asentoon (4). Kiristä hihnanohjaimen (2) kiinnityspultti.
6. **(Kuva 18)** Asenna hihnansuojus (1) paikoilleen. Kiristä ruuvi (2).
7. Kiinnitä sytytystulpan johto.

Veropyörän säätäminen tai vaihtaminen

Kitkapyörän tarkastaminen

Jos lumilinko ei liiku eteenpäin, tarkasta vetokäyttöhihna, vetokäyttövaijeri tai kitkapyörä. Jos kitkapyörä on kulunut tai vahingoittunut, se on vaihdettava. Katso tämän osion kohtaa "Kitkapyörän vaihtaminen". Jos kitkapyörä ei ole kulunut tai vahingoittunut, tarkasta seuraavasti:

1. **(Kuva 1)** Poista bensiini polttoainesäiliöstä. Nosta lumilinko pystyyn ruuviosan kotelon (4) etuosaa vasten.

 **VAROITUS:** Tyhjennä polttoainesäiliö ulkoilmassa. Älä tyhjennä polttoainesäiliötä avotulen läheisyydessä.

2. Irrota sytytystulpan johto.
3. **(Kuva 22)** Irrota pultit (1) alapaneelin (2) kummaltakin puolelta.
4. Löysää pultit (3) alapaneelin (2) molemmilta puolilta.
5. Irrota alapaneeli (2).

6. **(Kuva 1)** Siirrä nopeudenvaihtovipu (6) pienimmälle eteen-nopeudelle. Siirrä nopeudenvaihtovipu (6) ykkösvaihteelle
7. **(Kuva 24)** Kirjoita kitkapyörän (4) asento muistiin. Oikea etäisyys "A" kitkapyörän (4) oikeasta reunasta moottorikotelon ulkopuoleen on:

Renkaan koko	Etäisyys "A"
12 ja 13 tuumaa	10,5 cm
16 tuumaa	10,95 cm


 Jos kitkapyörä (4) ei ole oikeassa asennossa, säädä seuraavasti:

Kitkapyörän säätäminen


1. **(Kuva 1)** Aseta nopeudenvaihtovipu (6) pienimmälle eteen-nopeudelle.
2. **(Kuva 9)** Löysää nopeudenvalitsintangossa (2) olevaa kuusikantaista vastamutteria (9). Irrota pallonivel (6) vaihdetangosta (7).
3. **(Kuva 24)** Siirrä kitkapyörä (4) oikeaan asentoon.
4. **(Kuva 9)** Käännä välikappaletta (10), kunnes pallonivel (6) on kohdakkain vaihdetangossa (7) olevan kiinnitysreiän kanssa. Kun ne ovat kohdakkain, kiinnitä pallonivel (6) vaihdetankoon (7).
5. **(Kuva 22)** Asenna alapaneeli (2).
6. Asenna pultit (1) alapaneelin (2) kummallekin puolelle.
7. Kiristä alapaneelin (2) kummallakin puolella olevat pultit (1) ja pultit (3).

Kitkapyörän vaihtaminen

Jos kitkapyörä on kulunut tai vahingoittunut, lumilinko ei liiku eteenpäin. Kitkapyörä on vaihdettava seuraavasti:

 **VAROITUS:** Älä voitele käyttöpyörää tai kitkalevyä.

1. **(Kuva 1)** Poista bensiini polttoainesäiliöstä. Nosta lumilinko pystyyn ruuviosan kotelon (4) etuosaa vasten.

 **VAROITUS:** Tyhjennä polttoainesäiliö ulkoilmassa. Älä tyhjennä polttoainesäiliötä avotulen läheisyydessä.

2. Irrota sytytystulpan johto.
3. **(Kuva 28)** Irrota pultit (1) alapaneelin (2) kummaltakin puolelta.
4. Löysennä pultit (3) alapaneelin (2) kummaltakin puolelta.
5. Poista alapaneeli (2).
6. **(Kuva 29)** Irrota takatuki (18).
7. **(Kuva 30)** Irrota 3/16" kuusiotappiavaimella kiinnitin, joka pitää oikeaa akselin kiinnitintä (30) kiinni akselissa (34).
8. Irrota oikea pyörä (35), akseli (34), akselin kiinnitin (30) ja aluslevy (31).
9. **(Kuva 28)** Irrota vasen pyörä (10) akselistä (11).
10. **(Kuva 31)** Irrota akselin tuen (32) ja moottorikotelon väliset kiinnittimet. Irrota akselin tuki (32) ja holkki (33).
11. Löysää (älä irrota) pultteja, jotka pitävät akselin laakereita (19) kiinni moottorikotelossa.
12. Irrota kytkin- ja vetopyöräkokonaisuus (20) akselistä (11).
13. **(Kuva 32)** Irrota neljä pulttia (16), jotka pitävät laakerit (7) paikoillaan kuusioakselin (8) kummallakin puolella.

14. **(Kuva 33)** Irrota **kuusioakseli (8)** ja **laakerit (7)**.

HUOMAA: Kiinnitä erityistä huomiota aluslevyjen (13) sijaintiin.

15. **(Kuva 26)** Irrota kolme **kiinnikettä (4)**, jotka pitävät **kitkapyörän (5)** kiinni **keskiössä (6)**.

16. **(Kuva 26)** Irrota **kitkapyörä (5)** **keskiöstä (6)**. Irrota **kitkapyörä (5)** **kuusioakselista (8)**.

17. Liitä uusi **kitkapyörä (5)** **keskiöön (6)** aiemmin irrotetuilla kiinnikkeillä.

18. **(Kuva 33)** Asenna **kuusioakseli (8)** ja **laakerit (7)** neljällä aiemmin irrotetulla pultilla.

Varmista, että aluslevyt (17) on asennettu oikein alkuperäiseen kohtaan. Varmista myös, että kaksi aluslevyä (13) on kohdistettu oikein käyttövarsien (14) kanssa.

19. Varmista, että **kuusioakseli (8)** kääntyy vapaasti.

20. Asenna loput osat suorittamalla edellä olevat vaiheet päinvastaisessa järjestyksessä.

21. Tarkista **kitkapyörän** säätö. Katso tästä osasta **kitkapyörän** säätöohjeet.

22. Varmista, ettei **kitkapyörässä** ja **käyttölevyissä** ole rasvaa tai öljyä.

23. **(Kuva 28)** Asenna **alapaneeli (2)**.

24. Asenna **pultit (1)** **alapaneelin (2)** kummallekin puolelle.

25. Kiristä **alapaneelin (2)** kummallakin puolella olevat **pultit (1)** ja **pultit (3)**.

26. Kiinnitä **sytytystulpan** johto.

Ruuviosan murtopultin vaihtaminen

Ruuviosat ovat kiinni ruuviosan kotelossa erityisillä murtopulteilla. Nämä murtopultit on suunniteltu katkeamaan ja suojelemaan laitetta, jos jotakin jumittuu ruuviosan koteloon. Älä käytä kovempaa pulttia, sillä tällöin menetät murtopulttien tarjoaman suojan.



VAROITUS: Käytä ainoastaan alkuperäisiä varaosaksipultteja ihmisten ja laitteen turvallisuuden takaamiseksi.

Ylimääräiset murtopultit löytyvät osapussista. Vaurioitunut murtopultti vaihdetaan seuraavasti:

1. **(Kuva 1)** Siirrä **kaasuvipu (13)**

stop-asentoon. Kytke kaikki ohjaukset pois päältä.

2. Irrota **sytytystulpan** johto. Varmista, että kaikki liikkuvat osat ovat pysähtyneet.

3. **(Kuva 14)** Voitele ruuviosan kotelon **Zerk-nippa (1)** (jos on) voitelu ruiskulla.

4. **(Kuva 25)** Kohdista ruuviosassa oleva reikä ruuviosan akselissa olevan reiän kanssa. Asenna uusi **murtopultti (2)**, **aluslevy (3)** ja **lukkomutteri (4)**.

HUOMAA: Jos mallissa on 84 cm:n ruuviosan kotelo, välilevyä (3) ei tarvita.

5. Kiinnitä **sytytystulpan** johto.

Lumilingon valmistelu varastoimista varten



VAROITUS: Älä poista bensiiniä sisätiloissa, avotulen lähettyvillä tai tupakoidessasi. Bensiinikaasut saattavat aiheuttaa räjähdyksen tai tulipalon.

Jos lumilinkoa ei käytetä pitkään aikaan, katso moottorin valmistajan käyttöohjeista (joidenkin mallien mukana) tärkeitä kunnossapitoa ja varastointia koskevia tietoja.

1. Tyhjennä polttoainesäiliö.

2. Anna moottorin käydä, kunnes bensiini on loppunutä.

3. Älä koskaan pidä polttoainetta lumilingon polttoainesäiliössä, kun lumilinkoa säilytetään rakennuksessa, jossa voi olla syttymislähteitä, kuten lämmitin, vedenlämmitin, pyykinkuivuri tai muu vastaava. Anna moottorin jäähtyä ennen suljettua tilaan varastointia.

4. Poista öljy lämpimästä moottorista. Täytä moottorin kampikammio uudella öljyllä.

5. Irrota **sytytystulppa** ja kaada noin 29,6 ml moottoriöljyä sylinteriin. Aseta **sytytystulppa** takaisin ja pyöritä moottoria hitaasti, niin että öljy leviää sylinteriin.

6. Puhdista lumilinko huolellisesti.

7. Voitele kaikki voitelukohtat. Katso huolto-osiota.

8. Varmista, että kaikki mutterit, pultit ja ruuvit on kunnolla kiristetty. Tarkasta kaikki näkyvät osat mahdollisten vahinkojen, vaurioiden ja kulumien varalta. Vaihda tarvittaessa.

9. Peitä kaikki lingon kotelon, ruuviosan ja siipipyörän paljaat metalliosat ruosteenestosuohkeella.

10. Sijoita lumilinko hyvin ilmastoituun rakennukseen. Säilytä puhtaassa ja kuivassa paikassa, mutta EI sytytysliekkiä käyttävän hellan, lämmityslaitteen tai vedenlämmittimen lähellä tai minkään kipinöitä aiheuttavan laitteen lähellä.

11. Jos lumilinko on pakko varastoida ulos, aseta se siten, että koko laite on irti maasta.

12. Peitä lumilinko asianmukaisella kosteutta pidättämättömällä suojakankaalla tai peitteellä. Älä käytä muoviva.

Varaosien tilaaminen

Varaosat ovat nähtävissä joko tämän ohjekirjan takasivuilla tai erillisessä osaluettelossa. Käytä vain valmistajan hyväksymiä varaosia.

Käytä vain valmistajan valtuuttamia tai hyväksymiä varaosia. Älä käytä lisä- tai apulaitteita, joita ei ole määritely nimenomaisesti tälle laitteelle. Varaosaa tilatessa on annettava mallin numero (katso nimikylttiä).

Hanki varaosat paikallisen jälleenmyyjän kautta.

Moottorin, kampiakselin, vaihteiston ja tasauspyörästäön varaosia voi tilata valmistajan valtuuttamasta varaosapisteestä, jonka yhteystiedot löytyvät paikallisen puhelinluettelon keltaisilta sivuilta. Tietoa varaosien tilaamisesta löytyy myös yksittäisten vaihteiston- tai moottorinosien takuutiedoista.

Osia tilattaessa on ilmoitettava seuraavat tiedot:

- (1) Mallin numero
- (2) Sarjanumero
- (3) Osan numero
- (4) Osien määrä

ONGELMANRATKAISUKAAVIO

ONGELMA	SYY	TOIMENPIDE
Vaikeuksia käynnistyksessä	Sytytystulppa viallinen.	Vaihda sytytystulppa.
	Vettä tai likaa polttoainejärjestelmässä.	Käytä uimurikammion tyhjennystä polttoaineen poistamiseen ja korvaamiseen uudella.
Moottori käy epätasaisesti	Polttoaineletku tukossa, bensiinitankki tyhjä tai polttoaine väljähtänyttä.	Puhdista polttoaineletku, tarkista polttoaineensyöttö, vaihda bensiini.
Moottori pysähtyy	Rikastin on päällä.	Aseta rikastin aja-asentoon (run).
Moottori käy epätasaisesti, virtaa menee hukkaan	Vettä tai likaa polttoainejärjestelmässä.	Käytä uimurikammion tyhjennystä polttoaineen poistamiseen ja korvaamiseen uudella.
Ylimääräistä tärinää	Osia löysällä; siipipyörä vaurioitunut.	Pysäytä moottori välittömästi ja irrota sytytystulpan johto. Kiristä kaikki pultit ja tee tarvittavat korjaukset. Jos tärinä jatkuu, ota yhteyttä asiantuntevaan korjaajaan.
Laitteen siipipyörä ei toimi	Käyttöhihna löysällä tai vaurioitunut.	Vaihda käyttöhihna.
	Vetokäyttökaapeli asennettu väärin.	Säädä vetokäyttökaapeli.
	Vetopyörä kulunut tai vaurioitunut.	Vaihda vetopyörä.
Laite ei linkoa lunta	Ruuviosan käyttöhihna löysällä tai vaurioitunut.	Säädä ruuviosan käyttöhihna tai korvaa tarvittaessa.
	Ruuviosan kaapeli säädetty väärin.	Säädä ruuviosan kaapeli.
	Saksipultti rikkoutunut.	Vaihda saksipultti.
	Poistoaukko tukkiutunut.	Pysäytä moottori välittömästi ja irrota sytytystulpan johto. Puhdista poistoaukko ja ruuviosan kuoren sisäpuoli.
	Vieras esine tai osa jumiutunut ruuviosan kuoreen.	Pysäytä moottori välittömästi ja irrota sytytystulpan johto. Poista tukos ruuviosan kuoresta.

SPIS TREŚCI

SYMBOLE OSTRZEGAWCZE I ICH OBJAŚNIENIE	102
SYMBOLE OBSŁUGI I ICH OBJAŚNIENIE	102
MONTAŻ	107
OBSŁUGA	108
WYKAZ CZYNNOŚCI KONSERWACYJNYCH	110
KONSERWACJA	110
ROZWIĄZYWANIE PROBLEMÓW TECHNICZNYCH	114

Rysunki (przykład: Rys. 1) znajdują się na wewnętrznych stronach pierwszej i ostatniej kartki niniejszej instrukcji przed wykazem części.

Informacje ogólne

Niniejsza instrukcja została opracowana z myślą o osobach posiadających podstawowe umiejętności w zakresie obsługi urządzeń mechanicznych. Podobnie jak w większości instrukcji serwisowych, nie wszystkie czynności są opisane krok po kroku. Czynności obejmujące przykręcanie lub odkręcanie elementów mocujących jest w stanie wykonać każdy użytkownik posiadający podstawowe umiejętności mechaniczne. Przed przystąpieniem do eksploatacji urządzenia należy zapoznać się, a następnie stosować się do niniejszych instrukcji.

Zapoznanie się z produktem: Najlepsze rezultaty można osiągnąć po zrozumieniu zasady działania urządzenia. Podczas zapoznawania się z niniejszą instrukcją należy porównywać tekst z zamieszczonymi rycinami. Należy poznać lokalizację i funkcję elementów układu sterowania. Aby zapobiec wypadkom, należy przestrzegać instrukcji obsługi i zasad bezpieczeństwa. Zachować instrukcję do wglądu w przyszłości.

WAŻNE: Wiele urządzeń nie jest złożonych i jest sprzedawanych w kartonach. Obowiązkiem nabywcy jest zadbanie o staranne stosowanie się do wskazówek montażu przedstawionych w niniejszej instrukcji. Inne urządzenia są oferowane w postaci zmontowanej. W przypadku zmontowanych urządzeń obowiązkiem nabywcy jest sprawdzenie, czy urządzenie jest zmontowane poprawnie. Przed pierwszym użyciem nabywca jest zobowiązany uważnie sprawdzić urządzenie zgodnie ze wskazówkami podanymi w niniejszej instrukcji.

Dodatkowa pomoc

Jeżeli potrzebujesz dodatkowych informacji na temat składania, obsługi, lub konserwacji swego urządzenia, skontaktuj się ze swoim lokalnym dealerem.

Słowo ostrzegawcze (NIEBEZPIECZEŃSTWO, OSTRZEŻENIE lub PRZESTROGA) jest używane z symbolem ostrzegawczym w celu zasygnalizowania prawdopodobieństwa i potencjalnego stopnia ciężkości obrażeń. Ponadto symbol niebezpieczeństwa może być użyty do określenia charakteru zagrożenia.



NIEBEZPIECZEŃSTWO wskazuje na zagrożenie, które – jeśli się do niego dopuści – **spowoduje śmierć lub poważne obrażenia fizyczne.**



OSTRZEŻENIE wskazuje na zagrożenie, które – jeśli się do niego dopuści – **może spowodować śmierć lub poważne obrażenia fizyczne.**



PRZESTROGA wskazuje na zagrożenie, które – jeśli się do niego dopuści – **może spowodować niewielkie lub umiarkowane obrażenia fizyczne.**

PRZESTROGA, podana **bez** symbolu ostrzegawczego wskazuje sytuację, która **mogłaby doprowadzić do uszkodzenia urządzenia.**

Elementy układu sterowania i funkcje urządzenia (patrz Rys. 1)

Dźwignia napędu posuwowego (1) - Pozwala wybrać kierunek posuwu do przodu lub do tyłu.

Zespół korbwy (2) - Zmienia kierunek rynienki wylotowej.

Deflektor rynienki wylotowej (3) - Zmienia odległość, na jaką odrzucany jest śnieg.

Rynienka wylotowa (4) - Zmienia kierunek, w którym odrzucany jest śnieg.

Dźwignia napędu śruby odśnieżającej (5) - Uruchamia i zatrzymuje śrubę odśnieżającą (nagarnianie i odrzucanie śniegu), która również napędza odśnieżarkę.

Dźwignia zmiany prędkości (6) - Pozwala na wybór prędkości odśnieżarki.

Płoza z regulacją wysokości (7) - Pozwala na regulację odległości między obudową śruby odśnieżającej a poziomem gruntu.

Podcinacze zasp (18) - (jeśli wchodzi w skład wyposażenia) Torują drogę w śniegu o wysokości wyższej niż obudowa śruby odśnieżającej.

Śruby bezpiecznikowe ścinane (19) - W celu zabezpieczenia maszyny, specjalne śruby bezpiecznikowe zostają ścięte, gdy do obudowy śruby odśnieżającej dostanie się jakiś obiekt, który ją zablokuje. Użycie twardszej śruby spowoduje utratę zabezpieczenia zapewnianego przez ścinaną śrubę bezpiecznikową.

Dźwignia regulacji rynienki wylotowej (20) - Zmienia odległość, na jaką odrzucany jest śnieg.

Włącznik podgrzewanych uchwytów (21) - Włącza podgrzewane uchwyty.

Elementy silnika

Kluczyk bezpieczeństwa (8) - Musi być włożony, aby możliwe było uruchomienie silnika.

Przycisk pompki zastrzykowej (9) - Wstrzykuje paliwo bezpośrednio do gaźnika, umożliwiając szybki rozruch w niskich temperaturach.

Przycisk rozruchu elektrycznego (10) - W modelach z rozruchem elektrycznym służy do uruchamiania silnika.


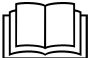
Skryzka rozdzielcza (11) - W modelach z rozruchem elektrycznym służy do podłączenia sieciowego przewodu zasilającego 220V.

Uchwyt rozrusznika ręcznego (12) - Służy do ręcznego rozruchu silnika.

Regulator przepustnicy (13) - (jeśli wchodzi w skład wyposażenia) Steruje prędkością silnika.

Wyłącznik (13) - (jeśli wchodzi w skład wyposażenia) Służy do zatrzymania silnika.

Regulator ssania (14) - Służy do rozruchu zimnego silnika.

Niniejsza instrukcja zawiera informacje o bezpieczeństwie eksploatacji określające zagrożenia i ryzyko związane z użyciem odśnieżarek oraz wskazówki, jak ich uniknąć. Odśnieżarka jest skonstruowana i przeznaczona do usuwania śniegu i nie może być stosowana w żadnym innym celu. Istotną sprawą jest zapoznanie się i zrozumienie treści instrukcji. Każda osoba obsługująca urządzenie powinna przeczytać i zrozumieć niniejsze instrukcje.



OSTRZEŻENIE

Spaliny wytwarzane przez silnik zawierają związki chemiczne, które w stanie Kalifornia są sklasyfikowane jako substancje rakotwórcze, wywołujące wady wrodzone lub szkodliwe wpływające na zdolności rozrodcze.

Symbole ostrzegawcze i ich objaśnienie

Te symbole są stosowane na urządzeniu, a ich znaczenie jest określone w instrukcji obsługi. Należy się z nimi zapoznać i zrozumieć ich znaczenie. Użycie jednego z tych symboli w połączeniu ze słowem ostrzegawczym sygnalizuje użytkownikowi potencjalne zagrożenia oraz to, jak ich uniknąć.

	Znak ostrzegawczy - Wskazuje informacje dotyczące zagrożeń, które mogą doprowadzić do obrażeń fizycznych.
	Instrukcja obsługi - Zapoznać się i zrozumieć przed wykonaniem dowolnej czynności lub uruchomieniem urządzenia.
	Wirująca śruba odśnieżająca
	Wirująca śruba wirnik
	Toksyczne opary
	Obracająca się przekładnia
	Wyrzut materiału
	Zachować bezpieczną odległość od urządzenia
	Nigdy nie wkładać rąk w pobliżu obracających się części.
	Przed przystąpieniem do wykonania czynności konserwacyjnych lub naprawy wyłączyć silnik i odłączyć złącze świecy zapłonowej.
	Pożar
	Wybuch
	Porażenie prądem
	Gorąca powierzchnia

Symbole obsługi i ich objaśnienie

Te symbole są stosowane na urządzeniu, a ich znaczenie jest określone w instrukcji obsługi. Należy zapoznać się z nimi i zrozumieć ich znaczenie. Niezrozumienie symboli może doprowadzić do obrażeń fizycznych użytkownika.

	Olej		Do przodu
	Paliwo		Bieg jałowy
	Wyłącznik		Włączenie zapłonu
	Mieszek pompki zastrzykowej		Wyłączenie zapłonu
	Przepustnica		Kluczyk stacyjki
	Przepustnica otwarta		Nacisnąć, aby włączyć rozruch elektryczny
	Przepustnica zamknięta		Rozruch elektryczny
	Stop		Wolno
	Wolno		Szybko
	Szybko		Włączyć sprzęgło
	Włączyć sprzęgło		Posuw
	Posuw		Odbierak śruby odśnieżającej
	Odbierak śruby odśnieżającej		Sprzęgło śruby odśnieżającej
	Sprzęgło śruby odśnieżającej		Sprzęgło napędu
	Sprzęgło napędu		Załączyć
	Załączyć		Wyłączyć
	Wyłączyć		Rynienka wylotowa
	Rynienka wylotowa		Deflektor rynienki wylotowej
	W LEWO		W PRAWO
	DO GÓRY		DO DOŁU



NIEBEZPIECZEŃSTWO

Nie dopuścić, aby wirująca śruba odśnieżająca spowodowała śmierć lub poważne obrażenia fizyczne. Trzymać z dala ręce, stopy i odzież. Usunięcie niedrożności w rynience wylotowej jest niebezpieczną czynnością.

- Nigdy nie podejmować się oczyszczenia śruby odśnieżającej z pozostałości lub zbitego śniegu, gdy urządzenie jest włączone lub przy pracującym silniku.
- Podczas przeprowadzania konserwacji urządzenia należy wyłączyć silnik i odłączyć przewód świecy zapłonowej.
- Nigdy nie pozostawiać urządzenia bez dozoru z pracującym silnikiem. Należy zawsze wyłączyć elementy sterowania śruby odśnieżającej i posuwu, zatrzymać silnik i wyjąć kluczyki.
- Nie dopuścić, aby w pobliżu obszaru pracy odśnieżarki znalazły się dzieci, zwierzęta lub inne osoby. Urządzenie często wzbudza zainteresowanie dzieci. Należy zwracać uwagę na obecność innych osób.
- Trzymać wszystkie luźne części odzieży z dala od przodu odśnieżarki i śruby odśnieżającej. Szaliki, rękawiczki, zwisające sznurki, luźne ubrania i spodnie mogą zostać szybko wciągnięte przez wirujący element, prowadząc do obrażeń kończyn. Związać długie włosy i zdjąć biżuterię.
- Odśnieżarka jest przeznaczona wyłącznie do usuwania śniegu. Nie należy jej stosować w innych celach niż zastosowanie, do jakiego została przewidziana.
- Nie odśnieżać w poprzek nachylnego terenu. Zachować szczególną ostrożność podczas zmiany kierunku na nachylnym terenie. Nie podejmować prób odśnieżania stromych stoków.
- Nie stosować odśnieżarki na powierzchniach powyżej poziomu gruntu, takich jak dachy domów, garaże, ganki lub inne tego typu konstrukcje lub budynki.



NIEBEZPIECZEŃSTWO

Śruba odśnieżająca może zagarnąć objekty, które następnie zostaną wyrzucone z rynienki wylotowej. Nigdy nie wolno kierować wyrzucanego śniegu w stronę ludzi lub samochodów, ani nie pozwalać nikomu na przebywanie przed odśnieżarką.

- W trakcie obsługi urządzenia należy zwracać uwagę na otoczenie. Przejechanie odśnieżarką po takich obiektach, jak żwir, wycieraczki, gazety, zabawki i skały ukryte pod śniegiem może spowodować ich wyrzut z rynienki wylotowej lub zablokowanie śruby odśnieżającej.
- Należy zawsze wiedzieć, w którym kierunku następuje wyrzut śniegu. Znajdujący się w pobliżu przechodnie, zwierzęta lub nieruchomości mogą odnieść szkodę w wyniku wyrzutu zagarniętych obiektów.
- Należy zapoznać się z obszarem, w którym planowane jest odśnieżanie. Wyznaczyć granice chodników i podjazdów, aby nie dopuścić do uszkodzenia własności lub wyrzutu obiektów.
- Zachować ostrożność podczas odśnieżania nieznanego obszaru. Uważać na ukryte zagrożenia i ruch uliczny.
- Po uderzeniu w ciało obce, wyłączyć silnik, odczekać, aż ruchome części zatrzymają się, a następnie bezzwłocznie sprawdzić pod kątem ewentualnych uszkodzeń. W razie stwierdzenia uszkodzenia dokonać naprawy przed uruchomieniem i dalszą eksploatacją odśnieżarki.
- Przy wyłączonym silniku odczekać, aż ruchome części się zatrzymają. Do oczyszczania rynienki wylotowej należy zawsze używać przepychacza.
- Jeśli urządzenie wchodzi w nietypowe drgania, wyłączyć silnik. Drgania są zwykle objawem ostrzegającym o wystąpieniu problemów. W przypadku konieczności przeprowadzenia naprawy skontaktować się z autoryzowanym serwisem.



NIEBEZPIECZEŃSTWO

Rynienka wylotowa zawiera wirującą śrubę wirnik do usuwania śniegu. Nigdy nie oczyszczać ani nie odblokowywać rynienki wylotowej rękoma lub przy pracującym silniku.

Palce mogą zostać szybko wciągnięte w śrubę, powodując urazową amputację lub ciężkie okaleczenie.

- Usunięcie niedrożności w rynience wylotowej jest niebezpieczną czynnością.
- Nigdy nie wkładać rąk do rynienki wylotowej ani w jej pobliżu.
- Przy wyłączonym silniku odczekać, aż wszystkie ruchome części zatrzymają się, a następnie oczyścić rynienkę wylotową przepychaczem.
- W zbitym śniegu mogą być ukryte inne przeszkody w rynience, powodując uszkodzenie urządzenia, wirnika lub śruby odśnieżającej. Przy ponownym uruchamianiu urządzenia po usunięciu śniegu należy zastosować odpowiednie środki ostrożności.



OSTRZEŻENIE

W wyniku pracy silnika powstaje tlenek węgla – bezwonny i bezbarwny gaz trujący.

Wdychanie tlenku węgla może wywołać nudności, omdlenie lub śmierć.

- Silnik należy uruchamiać i eksploatować na zewnątrz budynków.
- Nie wolno uruchamiać ani eksploatować silnika w zamkniętych przestrzeniach, nawet jeśli drzwi lub okna są otwarte.

**OSTRZEŻENIE**

Benzyna i jej opary są wyjątkowo łatwopalne i wybuchowe. Pożar i wybuch mogą doprowadzić do ciężkich poparzeń i śmierci.

PODCZAS TANKOWANIA PALIWA

- Wyłączyć silnik i poczekać co najmniej 2 minuty, aż ostygnie, przed zdjęciem zakrywki zbiornika benzyny.
- Zatankować zbiornik paliwa na zewnątrz budynku lub w miejscu wyposażonym w sprawny system wentylacji.
- Nie należy przepelniać zbiornika paliwa.
- Przechowywać benzynę z dala od źródeł iskier, otwartego płomienia, układów zapłonu sterowanego, źródeł ciepła i innych źródeł zapłonu.
- Regularnie sprawdzać przewody paliwowe, zbiornik, zakrywkę i elementy mocujące pod kątem pęknięć i wycieków. W razie potrzeby wymienić.

PODCZAS URUCHAMIANIA SILNIKA

- Upewnić się, że świeca zapłonowa, tłumik, zakrywka wlewu paliwa i filtr powietrza są założone.
- Nie kręcić korbą silnika, gdy świeca zapłonowa nie jest podłączona.
- W przypadku rozlania się paliwa, przed uruchomieniem silnika poczekać, aż rozlane paliwo odparuje.
- W razie zalania silnika ustawić ssanie w położenie OPEN/RUN, ustawić przepustnicę w położenie FAST i obracać korbą, aż silnik zapali.

PODCZAS EKSPLOATACJI URZĄDZENIA

- Nie dławić gaźnika w celu zatrzymania silnika.

PODCZAS TRANSPORTU URZĄDZENIA

- Urządzenie należy transportować przy PUSTYM zbiorniku paliwa.

PODCZAS PRZECHOWYWANIA BENZYNY LUB URZĄDZENIA Z PEŁNYM ZBIORNIKIEM PALIWA

- Przechowywać z dala od pieców, piecyków, ogrzewaczy wody lub innych urządzeń wyposażonych w zapłon sterowany lub inne źródła zapłonu z uwagi na ryzyko zapalenia oparów benzyny.

ZASADY DOTYCZĄCE BEZPIECZNEJ OBSŁUGI



OSTRZEŻENIE: Urządzenie to może spowodować ucięcie rąk i nóg i może rzucać przedmiotami. Przeczytaj poniższe zasady dotyczące bezpieczeństwa i postępuj zgodnie z nimi: Niezastosowanie się do poniższych zasad może spowodować utratę kontroli nad urządzeniem, poważne obrażenia lub śmierć osoby obsługującej urządzenie lub osób znajdujących się w pobliżu, lub zniszczenie własności lub sprzętu. Trójkąt w tekście oznacza ważne uwagi lub ostrzeżenia, których należy przestrzegać.

Zasady bezpiecznej obsługi dmuchaw do śniegu

WAŻNE: Aby zminimalizować ryzyko obrażeń, standardy bezpieczeństwa wymagają kontroli obecności operatora. Dmuchawa do śniegu jest wyposażona w takie kontrolki. Nie należy w żadnym wypadku próbować blokować funkcji kontroli obecności operatora.

Szkolenie

1. Przed włączeniem urządzenia należy przeczytać, przyjąć do wiadomości i postępować zgodnie z instrukcjami znajdującymi się na urządzeniu i w instrukcjach obsługi. Należy dokładnie zapoznać się z kontrolkami i prawidłowym zastosowaniem urządzenia. Należy wiedzieć jak zatrzymać urządzenie i szybko wyłączyć kontrolki.
2. Nigdy nie należy pozwalać dzieciom na obsługę urządzenia. Nigdy nie należy pozwalać dorosłym na obsługę urządzenia bez właściwego poinstruowania ich.
3. W obszarze pracy urządzenia nie powinny przebywać żadne osoby, w szczególności dzieci i zwierzęta.
4. Należy zachować ostrożność i unikać poślizgnięcia się lub upadków, szczególnie podczas pracy na wstecznym biegu.

Przygotowanie

1. Dokładnie sprawdź obszar, na którym urządzenie ma pracować i usuń wszystkie wycieraczki, sanki, deski, przewody i inne obce przedmioty.
2. Przed włączeniem silnika, rozłącz wszystkie sprzęgła i włącz luz.
3. Nie obsługuj urządzenia bez odpowiedniego okrycia zimowego. Załóż obuwie, które ułatwi ci poruszanie się po śliskich powierzchniach. Unikaj luźnych ubrań, które mogą wkręcić się w ruchome części urządzenia.
4. Postępuj ostrożnie z paliwem; jest ono wyjątkowo łatwopalne.
 - a. Stosuj zatwierdzony pojemnik na paliwo.
 - b. Nigdy nie wlewaj paliwa do pracującego ani do gorącego silnika.
 - c. Napełniaj zbiornik paliwa na zewnątrz budynku, ze szczególną ostrożnością. Nigdy nie napełniaj zbiornika paliwa w pomieszczeniach. Zamknij dokładnie wlot paliwa i zetrzyj rozlane paliwo.
 - d. Nigdy nie napełniaj pojemników w środku pojazdu lub na ciężarówce czy podłodze przyczepy z plastikowymi wykładzinami. Przed nalaniem paliwa, zawsze ustaw pojemnik na podłodze, z dala od pojazdu.
 - e. Kiedy będzie to praktyczne, usuń z ciężarówki lub przyczepy urządzenie gazowe i napełnij je paliwem na ziemi. Jeśli nie będzie to możliwe, napełnij urządzenie paliwem z przenośnego pojemnika, raczej niż bezpośrednio z dystrybutora.
 - f. Trzymaj pistolet dystrybutora tak by cały czas dotykał brzegu zbiornika paliwa lub otworu pojemnika, aż do zakończenia tankowania. Nie używaj urządzenia zamknij-otwórz pistoletu dystrybutora.
 - g. Zamknij dokładnie wlot paliwa i zetrzyj rozlane paliwo.
 - h. Zmień natychmiast ubranie, jeśli wyleje się na nie paliwo.
5. Używaj przedłużaczy i gniazdek zalecanych przez producenta dla wszystkich urządzeń napędzanych silnikiem elektrycznym lub o rozruchu elektrycznym.
6. Dostosuj wysokość obudowy kolektora do czystego żwiru lub powierzchni kruszywa.

7. Nigdy nie wykonuj regulacji gdy silnik jest włączony (z wyjątkiem sytuacji gdy jest to zalecane przez producenta).
8. Przed rozpoczęciem usuwania śniegu, pozwól silnikowi i dmuchawie do śniegu przystosować się do temperatury na zewnątrz.
9. Obsługując urządzenie, dokonując regulacji lub napraw zawsze zakładaj okulary ochronne lub osłonę na oczy, aby ochronić oczy przed przedmiotami obcymi, które urządzenie może wyrzucić.
10. Nigdy nie obsługuj dmuchawy do śniegu bez właściwych osłon i pokryw lub innych prawidłowo zamocowanych i działających urządzeń ochronnych.

Obsługa

1. Nie należy zbliżać rąk i stóp do ruchomych części urządzenia. Zawsze należy stać poza otworem wylotowym.
2. Należy zachować szczególną ostrożność podczas pracy na lub przechodząc przez żwirowe drogi dojazdowe, alejki lub drogi. Należy uważać na ukryte niebezpieczeństwa lub ruch drogowy.
3. Po uderzeniu w obcy przedmiot, zatrzymaj silnik, usuń przewód ze świecy zapłonowej, rozłącz kabel z silników elektrycznych, sprawdź dokładnie urządzenie pod kątem uszkodzeń, i napraw uszkodzenie przed ponownym włączeniem urządzenia.
4. Jeśli urządzenie zacznie nietypowo wibrować, wyłącz silnik i sprawdź czym było to spowodowane. Wibrowanie najczęściej oznacza problem.
5. Wyłącz silnik zawsze gdy opuszczasz miejsce obsługi urządzenia, przed odblokowaniem obudowy kolektora/wirnika lub koryta odbiorczego i podczas wykonywania napraw, regulacji lub przeglądu.
6. Podczas czyszczenia, wykonywania napraw i przeglądów, upewnij się, że wszystkie ruchome części urządzenia zatrzymały się. Odłącz przewód świecy zapłonowej i przechowuj go z dala od świecy, aby zapobiec przypadkowemu zapłonowi.
7. Nie trzymaj silnika włączonego w pomieszczeniach, z wyjątkiem jego zapalania i w celach przetransportowania dmuchawy do śniegu do lub z budynku. Otwórz drzwi zewnętrzne; spaliny są niebezpieczne (zawierają TLENEK WĘGLA, BEZWONNY I ZABÓJCZY GAZ).
8. Zachowuj szczególną ostrożność przy pracy na wzniesieniach. Nie próbuj oczyszczać stromych wzniesień.
9. Nigdy nie obsługuj dmuchawy do śniegu bez właściwych osłon i pokryw lub innych prawidłowo zamocowanych i działających urządzeń ochronnych.
10. Nigdy nie kieruj wylotu na ludzi lub obszar gdzie można dokonać zniszczeń własności. Dzieci i inne osoby nie powinny zbliżać się do urządzenia.
11. Nie należy przeciążać urządzenia, starając się oczyścić śnieg w zbyt szybkim tempie.
12. Nigdy nie obsługuj urządzenia przy wysokich prędkościach transportowych na śliskich powierzchniach. Pracując na wstecznym biegu, patrz do tyłu i zachowuj ostrożność.
13. Wyłącz zasilanie kolektora/wirnika podczas transportu dmuchawy do śniegu lub gdy nie jest ono wykorzystywane.
14. Stosuj tylko te elementy i akcesoria, które są zatwierdzone przez producenta dmuchawy do śniegu (takie jak kabiny, opony, łańcuchy, etc.).
15. Nigdy nie obsługuj urządzenia bez dobrej widoczności i światła. Zawsze należy pewnie stanąć i mocno trzymać rączki. Chodź, nigdy nie biegaj.
16. Nigdy nie dotykaj gorącego silnika ani tłumika.

17. Nigdy nie obsługuj dmuchawy do śniegu w pobliżu szklanych ogrodzeń, samochodów, studni okiennych, spadków i temu podobnych bez odpowiedniej regulacji kąta wyrzucania śniegu.
18. Nigdy nie kieruj wylotu na osoby stojące w pobliżu i nie pozwalaj nikomu na stanie przed urządzeniem.
19. Nigdy nie zostawiaj włączonego urządzenia bez operatora. Zawsze należy rozłączyć ślimak i kontrolki trakcji, wyłączyć silnik i wyjąć kluczyki.
20. Nie należy obsługiwać urządzenia będąc pod wpływem alkoholu lub narkotyków.
21. Pamiętaj, że operator jest odpowiedzialny za wypadki, które mogą przytrafić się innym osobom lub mieniu.
22. Dane statystyczne wskazują, że operatorzy, w wieku 60 lat i starsi, biorą udział w wysokim procencie obrażeń związanych z urządzeniami elektrycznymi. Operatorzy tacy powinni ocenić swoje możliwości obsługi urządzenia, wystarczająco bezpiecznego do zabezpieczenia siebie i innych przed obrażeniami.
23. NIE NALEŻY zakładać długich szalików lub luźnych ubrań, które mogłyby się wkręcić w ruchome części urządzenia.
24. Pod śniegiem mogą znajdować się przeszkody. Pamiętaj aby z obszaru, który ma być oczyszczony, usunąć wszystkie przeszkody.

Dzieci

Jeżeli operator nie zwraca uwagi na obecność dzieci, może to prowadzić do poważnych wypadków. Dzieci są często zainteresowane urządzeniem i sposobem jego obsługi. Nigdy nie zakładaj, że dzieci pozostaną w miejscu, w którym je ostatnio widziałeś.

1. Dzieci powinny przebywać poza obszarem pracy urządzenia i być pod baczna opieką innej odpowiedzialnej osoby dorosłej.
2. Bądź czujny i wyłącz urządzenie jeśli dzieci wejdą na teren jego pracy.
3. Nigdy nie należy pozwalać dzieciom na obsługę urządzenia.
4. Bądź szczególnie ostrożny zbliżając się do zakrętów z ograniczoną widocznością, krzewów, drzew i innych przedmiotów, które mogą ograniczać widoczność.

Czyszczenie zablokowanego koryta odbiorczego

Kontakt ręki z obrotowym wirnikiem wewnątrz koryta odbiorczego jest najczęstszą przyczyną obrażeń związanych z dmuchawami do śniegu. Nigdy nie wkładaj ręki aby wyczyścić koryto odbiorcze.

Aby wyczyścić koryto:

1. WYŁĄCZ SILNIK
2. Odczekaj 10 sekund aby upewnić się, że ostrza wirnika przestały się obracać.
3. Zawsze korzystaj z narzędzi czyszczących, nie wkładaj tam ręki.

Naprawy, utrzymanie i przechowywanie

1. Często sprawdzaj czy śruby nożyc (trzcienie) i inne śruby są dobrze zamocowane, aby upewnić się, że urządzenie pozostaje w dobrym stanie technicznym.

2. Nigdy nie przechowuj urządzenia z paliwem w zbiorniku wewnątrz budynku, gdy obecne są źródła zapłonu, takie jak gorąca woda i grzejniki lub suszarki do ubrań. Przed umieszczeniem urządzenia w zamkniętym pomieszczeniu, pozwól by schłodził się silnik.
3. Jeśli dmuchawa do śniegu ma być przechowywane przez dłuższy okres, patrz instrukcja obsługi.
4. Zachowuj i w razie konieczności wymieniaj etykiety o bezpieczeństwie i z instrukcjami.
5. Aby zapobiec zamarznięciu kolektora/wirnika, po zakończeniu odśnieżania pozostaw urządzenie włączone przez kilka minut.
6. Jeśli zostało rozlane paliwo, nie próbuj zapalać silnika, ale odsuń urządzenie od miejsca, w którym jest rozlane paliwo i unikaj wytworzenia źródła zapłonu do chwili aż rozprószą się opary paliwa.
7. Zawsze przestrzegaj bezpiecznego ponownego napełniania paliwa i zasad bezpiecznego postępowania z paliwem podczas powtórnego nalewania paliwa po przewożeniu lub przechowywaniu urządzenia.
8. Zawsze należy przestrzegać instrukcji obsługi silnika, dotyczących przygotowań przed przechowywaniem urządzenia, zarówno przez krótszy jak i dłuższy czas.
9. Zawsze należy przestrzegać instrukcji obsługi silnika odnośnie procedur właściwego włączenia - po ponownym rozpoczęciu obsługi urządzenia.
10. Należy pamiętać aby nakrętki i śruby były dobrze dokręcone, i dbać o dobry stan urządzenia.
11. Nigdy nie należy manipulować przy urządzeniach zabezpieczających. Regularnie sprawdzaj ich sprawne działanie i dokonuj koniecznych napraw, w przypadku niewłaściwego działania.
12. Części ulegają zużyciu, uszkodzeniom i zniszczeniu. Często sprawdzaj części urządzenia i w razie konieczności wymieniaj je na części zalecane przez producenta.
13. Często sprawdzaj działanie kontrolne. Regulacje i naprawy należy wykonywać w razie konieczności.
14. Podczas napraw korzystaj tylko z fabrycznych, autoryzowanych części wymiennych.
15. Przy wszystkich ustawieniach i regulacjach zawsze należy przestrzegać parametrów fabrycznych.
16. Serwis i naprawy powinny być wykonywane tylko w autoryzowanych punktach serwisowych.
17. Nie należy samemu przeprowadzać poważniejszych napraw urządzenia, jeśli nie uzyskano wcześniej właściwego szkolenia w tym zakresie. Nieprawidłowe procedury naprawy mogą powodować niebezpieczne działanie urządzenia, jego uszkodzenie i utratę gwarancji producenta.

Emisje

1. Spaliny silnika pochodzące z tego urządzenia, zawierają substancje chemiczne, o których wiadomo, że w pewnych ilościach powodują raka, wady wrodzone i upośledzenie płodności.
2. Jeśli jest to możliwe, sprawdź na etykiecie emisji silnika, odpowiednie informacje dotyczące okresu utrzymywania się emisji i indeksu powietrza.

Układ zapłonowy

1. Układ zapłonu iskrowego spełnia wymogi kanadyjskiego ICES-002.

MONTAŻ

Prosimy zapoznać się z instrukcjami montażu i regulacji odśnieżarki, a następnie się do nich stosować. Wszystkie elementy mocujące znajdują się w woreczku z częściami. Nie należy wyrzucać żadnych części ani materiałów do chwili zakończenia montażu urządzenia.



OSTRZEŻENIE: Przed przeprowadzeniem jakichkolwiek czynności montażowych lub konserwacyjnych odśnieżarki, należy odłączyć przewód od świecy zapłonowej.

UWAGA: W niniejszej instrukcji obsługi określenia „lewy” i „prawy” opisują rozmieszczenie części, patrząc z pozycji operatora znajdującego się za maszyną.

UWAGA: Wartości momentu obrotowego są mierzone w stopofuntach (w systemie metrycznym: Nm). Miara ta wskazuje, jak silnie należy dokręcić nakrętkę lub śrubkę. Moment obrotowy mierzy się za pomocą klucza dynamometrycznego.

UWAGA: Elementy mocujące i części luzem przedstawiono w pełnej skali na Rysunku 2 na stronie 175.

UWAGA: Ryciny ilustrujące przedstawiono na stronie 2 i na stronach 176 do 181.

Wymagane narzędzia

- 1 Nóż
- 1 Kombinerki
- 2 Klucze maszynowe płaskie 1/2"
- 2 Klucze maszynowe płaskie 9/16"
- 2 Klucze maszynowe płaskie 3/4"
- 1 Taśma miernicza lub linijka
- 1 Śrubokręt

Wypakowanie odśnieżarki z kartonu

1. (**Rysunek 3**) Odśnieżarka jest przedstawiona w położeniu transportowym.
2. Odetnij wszystkie cztery rogi pudełka i ułóż ościanki boczne na płasko lub skorzystaj z żyłki do pociągania aby odłączyć pudełko od podstawy.
3. Rozciąć i wyrzucić plastikowe tasiemki zabezpieczające zespół korbowy oraz zespół drążka regulacji prędkości.
4. Określić rozmieszczenie wszystkich części, które są zapakowane osobno, i wyjąć je z kartonu.
5. Wyjąć i wyrzucić materiał pakunkowy znajdujący się wokół odśnieżarki.
6. (**Rysunek 1**) Dla celów transportowych **płozy z regulacją wysokości (7)** są zamocowane do palety. Odkręcić **śrubę (17)** mocującą każdą **płozę z regulacją wysokości (7)** do palety.
7. Trzymając za dolną rękkojęść, ściągnąć odśnieżarkę z palety.
PRZESTROGA: NIE NALEŻY opierać odśnieżarki o przewody.
8. Usunąć materiał pakunkowy z zespołu rękkojęści.
9. Przeciąć tasiemki mocujące **linki sterowania sprzęgłem (1)** do **dolnej rękkojęści (2)**. Odsunąć linki od korpusu silnika.

Montaż rękkojęści

1. (**Rysunek 4**) Poluzować (ale nie zdejmować całkowicie) **elementy mocujące (1)** znajdujące się w górnych otworach **dolnej rękkojęści**.
2. Zdjąć elementy mocujące z dolnych otworów **dolnej rękkojęści (3)**.
3. (**Rysunek 1**) Przesunąć **dźwignię zmiany prędkości (6)** w pierwsze położenie posuwu do przodu.
4. (**Rysunek 4**) Unieść **górną rękkojęść (2)** w położenie robocze.
UWAGA: Uważać, aby nie przyciąć linek między **górną i dolną rękkojęścią**.
5. Zainstalować elementy mocujące zdemontowane w kroku 2. NIE dokręcać zanim nie zostaną założone wszystkie elementy mocujące.
6. Dokręcić wszystkie elementy mocujące rękkojęści.

Montaż drążka regulacji prędkości

1. (**Rysunek 9**) Podłączyć **przegub kulowy (6)**, znajdujący się na dolnym końcu **drążka regulacji prędkości (2)**, do zespołu **jarzma posuwu (7)**. Elementy mocujące (8) są w fabryce dołączane do **przegubu kulowego (6)**.
Długość **przegubu kulowego (6)** i **drążka regulacji prędkości (2)** jest wstępnie ustawiona fabrycznie. Jeśli konieczna jest jej regulacja, należy poluzować **nakrętkę (9)**. Zdjąć **elementy mocujące (8)**, aby odłączyć **przegub kulowy (6)** od **zespołu jarzma posuwu (7)**. Aby wydłużyć lub skrócić **drążek regulacji prędkości (2)**, należy obrócić **prześciółkę (10)**, uzyskując żadaną długość.
2. (**Rysunek 12**) Zamocować **rękkojęść (11)** na **dźwigni wyboru prędkości (5)**. W niektórych modelach **rękkojęść (11)** jest zamontowana. Aby zablokować w położeniu, należy dokręcić **przeciwnakrętkę sześciokątną (10)** do dołu **rękkojęści (11)**.
3. Sprawdzić poprawność działania **dźwigni wyboru prędkości (5)**. Przesunąć **dźwignię wyboru prędkości (5)** przez wszystkie położenia ustawienia prędkości.

Montaż pokręteł

UWAGA: Jeśli pokręta są już zamontowane, przejść do kolejnej czynności.

Pokręto rynienki dalszej (**Rysunek 12**)

1. Zamontować **pokręto rynienki dalszej (1)** na **dźwigni (3)**, aż zrówna się z płaszczyzną **nakrętki (2)**. W niektórych modelach **pokręto rynienki dalszej (1)** jest zamontowane.
2. Sprawdzić, czy **występ (4)** na **pokrętle rynienki dalszej (1)** jest skierowany w stronę silnika.
3. Dokręcić **nakrętkę (2)** do dna **pokręta rynienki dalszej (1)**.

Montaż deflektora rynienki wylotowej

1. (**Rysunek 6**) Usunąć **śrubę zespołu przesuwu (1)**.
2. Unieść **deflektor rynienki wylotowej (2)** w **położenie robocze (3)**.

3. Zamocować **deflektor rynienki wylotowej (2)** do **kołnierza (4)** za pomocą **śrub zespołu przesuwu (1)**. Upewnić się, że **łebki śrub zespołu przesuwu (1)** znajdują się wewnątrz **kołnierza (2)**.
4. Zamocować za pomocą **podkładek (5)** i **przeciwnakrętek (6)**.
5. Dokręcić **przeciwnakrętki (6)** z odpowiednią siłą.

UWAGA: Upewnić się, że wszystkie śruby zespołu przesuwu na kołnierzu są dostatecznie dokręcone. NIE PRZYKRĘCAĆ ŚRUB ZBYT SILNIE.

Kontrola linek

1. (**Rysunek 8**) Sprawdzić **linkę napędu posuwowego (1)** oraz **linkę napędu śruby odśnieżającej (2)**. Jeśli dolne końce linek rozłączyły się, należy je z powrotem podłączyć.
2. (**Rysunek 10**) Jeśli górne końce **linek (5)** odłączyły się od **dźwigni napędu (6)**, podłączyć **linki (5)** do **łącznika „Z” (7)**.

Ustawianie wysokości płóz (**Rysunek 1**)

Odśnieżarka jest wyposażona w **płozy z regulacją wysokości (7)** zamontowane na zewnątrz **obudowy śruby odśnieżającej (4)**. Sposób regulacji wysokości płóz przedstawiono pod nagłówkiem „Regulacja wysokości płóz” w rozdziale „Konserwacja”.

Regulacja długości linek

Długość linek została dobrana fabrycznie i nie powinna być konieczna żadna regulacja. Niemniej po ustawieniu rękkojęści w położeniu roboczym linki mogą być zbyt napięte lub zbyt luźne. Jeśli regulacja ich długości jest konieczna, należy zapoznać się z nagłówkiem „Kontrola i regulacja linek” w rozdziale „Serwis i regulacja”.

Montaż podcinacza zasp (jeśli wchodzi w skład wyposażenia)

Podcinacze zasp służą do torowania drogi w śniegu o głębokości większej niż obudowa śruby odśnieżającej.

1. (**Rysunek 11**) Poluzować **nakrętki motylkowe (2)**, które łączą **podcinacze zasp (1)** z obudową śruby odśnieżającej.
2. Unieść **podcinacze zasp (1)** na żadaną wysokość.
3. Dokręcić **nakrętki motylkowe (2)**.

Przygotowanie silnika

UWAGA: Silnik wysyłany z fabryki jest napełniony olejem. Sprawdzić poziom oleju i w razie potrzeby uzupełnić.



OSTRZEŻENIE: W zakresie rodzaju stosowanego paliwa i oleju należy przestrzegać instrukcji producenta silnika. Należy zawsze korzystać z bezpiecznego kanistra na paliwo. W trakcie dolewania paliwa do silnika nie wolno palić. Nie tankować paliwa wewnątrz budynków. Przed uzupełnieniem paliwa należy zatrzymać silnik. Odczekać kilka minut, aż silnik przestygnie.

Sprawdzić poziom oleju. W zakresie rodzaju stosowanego paliwa i oleju należy przestrzegać instrukcji producenta silnika. Przed przystąpieniem do eksploatacji urządzenia należy zapoznać się z informacjami dotyczącymi bezpieczeństwa eksploatacji, obsługi, konserwacji i przechowywania.

Ważne! Przed rozpoczęciem eksploatacji:

- ❑ Sprawdzić elementy mocujące. Upewnić się, że wszystkie elementy mocujące są dokręcone.
- ❑ W przypadku modeli z rozruchem elektrycznym urządzenie jest wysyłane z przewodem rozrusznika podłączonym do silnika. Przed rozpoczęciem eksploatacji odłączyć przewód rozrusznika od silnika.

OBSŁUGA

UWAGA: Ryciny ilustrujące przedstawiono na stronie 2 i na stronach 176 do 181.

PRZESTROGA: Należy stosować wyłącznie elementy dołączane i akcesoria atestowane przez producenta odśnieżarki (takie jak łańcuchy na koła, zestawy rozrusznika elektrycznego itp.).

Konstrukcja odśnieżarki (Rysunek 1)

Przed przystąpieniem do obsługi odśnieżarki należy zapoznać się z niniejszą instrukcją obsługi i zasadami bezpieczeństwa. Aby zapoznać się z rozmieszczeniem różnych elementów układu sterowania i regulacji, należy porównać ilustracje z posiadaną odśnieżarką.

Sterowanie wyrzutem śniegu



OSTRZEŻENIE: Nigdy nie skierowywać wyrzucanego śniegu na ludzi.



OSTRZEŻENIE: Przed odblokowaniem rynienki wylotowej lub obudowy śruby odśnieżającej oraz przed pozostawieniem odśnieżarki należy zawsze zatrzymać silnik.

1. (Rysunek 5) Przesunąć elektryczny przełącznik **rygienki (2)**, aby ustalić kierunek wyrzutu śniegu (od lewej do prawej).
2. Pociągnąć **dźwignię rynienki wylotowej (17)** do tyłu, aby odrzucać śnieg wysoko i daleko. Popchnąć **dźwignię rynienki wylotowej (17)** do przodu, aby odrzucać śnieg w dół.

Zatrzymanie odśnieżarki (Rysunek 1)

1. Aby zatrzymać wyrzut śniegu, należy zwolnić **dźwignię napędu śruby odśnieżającej (5)**.
2. Aby zatrzymać koła, należy zwolnić **dźwignię napędu posuwowego (1)**.

3. Aby zatrzymać silnik we wszystkich modelach z **regulatorem przepustnicy (13)**, należy najpierw przesunąć **regulator przepustnicy (13)** w położenie WOLNO, a następnie w położenie STOP.
4. Aby zatrzymać silnik we wszystkich modelach z **wyłącznikiem zapłonu (13)**, należy przesunąć **wyłącznik zapłonu (13)** w położenie WYŁĄCZONY.
5. Wyjąć ze stacyjki i zabrać ze sobą **kluczyk zabezpieczający (8)**.

PRZESTROGA: Aby zatrzymać silnik, nie wolno przesunąć regulatora ssania w położenie **CHOKE (SSANIE)**. Może to spowodować strzał do gaźnika lub uszkodzenie silnika.

Posuw do przodu lub do tyłu (Rysunek 1)

1. Aby zmienić prędkość posuwu po gruncie, należy najpierw zwolnić **dźwignię napędu posuwowego (1)**, a następnie przesunąć **dźwignię zmiany prędkości (6)** na żądane ustawienie prędkości.
2. Prędkość posuwu po gruncie jest zależna od warunków pokrywy śnieżnej. Wybrać prędkość, przesuwając **dźwignię zmiany prędkości (6)** na odpowiedni karb w podstawie dźwigni zmiany prędkości.

Prędkość 1, 2 Wilgotny, ciężki śnieg

Prędkość 3 Lekki śnieg

Prędkość 4 Bardzo lekki śnieg

Prędkość 5, 6 Tylko transport

3. Aby rozpocząć posuw do przodu, należy załączyć **dźwignię napędu posuwowego (1)**. Silnie przytrzymać dźwignię podczas ruszania do przodu odśnieżarki. Kierować odśnieżarką, poruszając rękojeścią w lewo lub w prawo. Nie należy podejmować prób popychania odśnieżarki.
4. Aby rozpocząć posuw do tyłu, należy zwolnić **dźwignię napędu posuwowego (1)**.
5. Przesunąć **dźwignię zmiany prędkości (6)** na pierwszy lub drugi bieg wsteczny.
6. Załączyć **dźwignię napędu posuwowego (1)**.

WAŻNE: Nie należy przesunąć dźwigni zmiany prędkości (6), gdy załączona jest dźwignia napędu posuwowego (1).

Odśnieżanie (Rysunek 1)

1. Załączyć **dźwignię napędu śruby odśnieżającej (5)**.
2. Aby zatrzymać odśnieżanie, należy zwolnić **dźwignię napędu śruby odśnieżającej (5)**.



OSTRZEŻENIE: Obsługa odśnieżarki może spowodować wyrzut ciał obcych w kierunku oczu, co może doprowadzić do poważnego uszkodzenia wzroku. Z tego względu podczas obsługi odśnieżarki należy zawsze nosić okulary ochronne lub osłony na oczy. Zalecamy standardowe okulary ochronne lub użycie maski bezpieczeństwa o szerokim kącie widzenia zakładanej na własne okulary.

Użycie podgrzewanych uchwytów (Rysunek 5)



OSTRZEŻENIE: Podgrzewane uchwyty są przeznaczone do użycia, gdy temperatura spada poniżej zera. Nie należy włączać podgrzewanych uchwytów przy temperaturach dodatnich.

Gdy temperatura spadnie poniżej zera, podgrzewane uchwyty pozwalają utrzymać ciepłotę rąk. Przesunąć **włącznik podgrzewanych uchwytów (20)** w położenie ON (włączone). Po kilku minutach uchwyty rozgrzeją się. Ponieważ podgrzewane uchwyty mogą się bardzo nagrzać, zalecamy noszenie rękawic. Jeśli podgrzewane uchwyty nadmiernie się rozgrzeją, należy je wyłączyć.

Przed uruchomieniem silnika

1. Przed przystąpieniem do serwisowania lub przed uruchomieniem silnika należy zapoznać się z budową odśnieżarki. Należy zrozumieć funkcje i rozmieszczenie wszystkich elementów sterowania.
2. Sprawdzić naciąg linki sprzęgła przed uruchomieniem silnika. Patrz „Regulacja linki sprzęgła” w rozdziale „Konserwacja” niniejszej instrukcji obsługi.
3. Upewnić się, że wszystkie elementy mocujące są dokręcone.
4. Sprawdzić prawidłowość ustawienia wysokości regulowanych płóz. Patrz „Regulacja wysokości płóz” w rozdziale „Konserwacja” niniejszej instrukcji obsługi.
5. Sprawdzić ciśnienie powietrza w oponach. Ciśnienie powinno mieścić się w zakresie 1-1,25 bara (14-17 PSI). Nie należy przekraczać maksymalnej wartości ciśnienia powietrza wskazanej na ścianie bocznej opony.

Zatrzymywanie silnika (Rysunek 1)

1. Aby zatrzymać silnik we wszystkich modelach z **regulatorem przepustnicy (13)**, należy najpierw przesunąć **regulator przepustnicy (13)** w położenie WOLNO, a następnie w położenie STOP.
2. Aby zatrzymać silnik we wszystkich modelach z **wyłącznikiem zapłonu (13)**, należy przesunąć **wyłącznik zapłonu (13)** w położenie WYŁĄCZONY.
3. Wyjąć ze stacyjki i zabrać ze sobą **kluczyk zabezpieczający (8)**. Kluczyk stacyjki (8) należy przechowywać w bezpiecznym miejscu. Silnika nie można uruchomić bez kluczyka stacyjki (8).

PRZESTROGA: Aby zatrzymać silnik, nie wolno przesunąć regulatora ssania w położenie **CHOKE (SSANIE)**. Może to spowodować strzał do gaźnika lub uszkodzenie silnika.

Rozruch silnika (Rysunek 1)

Modele wyposażone w rozrusznik elektryczny

UWAGA: Zestaw rozrusznika elektrycznego można dodać do silników z rozruchem ręcznym. Zestawy rozrusznika elektrycznego są dostępne w lokalnym autoryzowanym centrum serwisowym.



OSTRZEŻENIE: Rozrusznik jest wyposażony w trzyżyłowy przewód sieciowy i wtyczkę i jest przeznaczony do pracy pod napięciem zmiennym 220V dostępnym w domowych instalacjach elektrycznych. Przewód sieciowy musi przez cały czas być odpowiednio uziemiony, aby nie dopuścić do porażenia prądem elektrycznym, które mogłoby spowodować obrażenia fizyczne operatora. Należy ściśle przestrzegać wszystkich instrukcji podanych w rozdziale „Rozruch silnika”. Należy upewnić się, że domowa instalacja elektryczna to układ trzyprzewodowy z uziemieniem. W przypadku jakichkolwiek wątpliwości należy zasięgnąć porady dyplomowanego elektryka. Jeśli instalacja elektryczna w domu nie jest układem trzyprzewodowym z uziemieniem, pod żadnym pozorem nie należy stosować tego rozrusznika elektrycznego. Jeśli dana instalacja posiada uziemienie, ale nie jest dostępne 3-bolcowe gniazdko z uziemieniem, aby uruchomić silnik, należy zlecić instalację 3-bolcowego uziemionego gniazdko dyplomowanemu elektrykowi. Podłączając przewód sieciowy 220V, należy zawsze najpierw podłączyć przewód sieciowy do skrzynki rozdzielczej (11) w silniku. Następnie podłączyć drugi koniec do 3-bolcowego gniazdko z uziemieniem. Przy odłączaniu przewodu sieciowego należy w pierwszej kolejności odłączyć koniec od 3-bolcowego gniazdko z uziemieniem.

Rozruch zimnego silnika (Rysunek 1)

1. Sprawdzić poziom oleju w silniku.
2. Napełnić zbiornik paliwa zwykłą benzyną bezołowiową. Patrz „Przygotowanie silnika”.
3. Upewnić się, że **dźwignia napędu posuwowego (1)** oraz **dźwignia napędu śruby odśnieżającej (5)** znajdują się w położeniu rozłączonym (zwolnionym).
4. Aby uruchomić silnik we wszystkich modelach z **regulatorem przepustnicy (13)**, należy przesunąć **regulator przepustnicy (13)** w położenie SZYBKO. Eksploatować silnik z **regulatorem przepustnicy (13)** w położeniu SZYBKO.
5. Aby uruchomić silnik we wszystkich modelach z **wyłącznikiem zapłonu (13)**, należy przesunąć **wyłącznik zapłonu (13)** w położenie WLACZONY.
6. Wsunąć **kluczyk zabezpieczający (8)** do stacyjki. Sprawdzić, czy **kluczyk zabezpieczający (8)** został wsunięty do końca. **Nie obracać kluczyka stacyjki (8)**.
7. Przesunąć **regulator ssania (14)** w położenie pełnego ssania.
8. (**Rozruch elektryczny**) Podłączyć przewód sieciowy do **skrzynki rozdzielczej (11)** znajdującej się na silniku.
9. (**Rozruch elektryczny**) Podłączyć drugi koniec przewodu sieciowego do 3-bolcowego, uziemionego gniazdko napięcia zmiennego 220V (patrz PRZESTROGA podane powyżej).

10. Nacisnąć **przycisk pompki zastrzykowej (9)**. Po każdym naciśnięciu **przycisku pompki zastrzykowej (9)** odczekać dwie sekundy. Zalecenie dotyczące wymaganej liczby naciśnień **przycisku pompki zastrzykowej (9)** można znaleźć w instrukcji producenta silnika.
11. (**Rozruch elektryczny**) Nacisnąć **przycisk rozruchu elektrycznego (10)**, aż silnik się uruchomi. Nie obracać korbą na raz dłużej niż 5 sekund. Odczekać jedną minutę między kolejnymi próbami rozruchu, aby rozrusznik mógł przestygnąć.
12. (**Rozruch ręczny**) Powoli pociągnąć **uchwyt rozrusznika ręcznego (12)** aż wyczuwalny będzie opór, a następnie szybko pociągnąć, aby uruchomić silnik. Nie pozwolić, aby **uchwyt rozrusznika ręcznego (12)** gwałtownie się cofnął. Należy powoli wycofać **uchwyt rozrusznika ręcznego (12)**.
13. Jeśli silnik nie uruchomi się po 5-6 próbach, zwrócić do informacji podanych pod nagłówkiem „Rozwiązywanie problemów technicznych”.
14. Pozwolić, aby silnik nagrzewał się przez kilka minut. W trakcie rozgrzewania się silnika ustawić **regulator ssania (14)** w położenie RUN (PRACA). Przed każdą zmianą ustawienia regulacji ssania odczekać, aż silnik znacznie pracować stabilnie.
15. (**Rozruch elektryczny**) Najpierw odłączyć przewód sieciowy od 3-bolcowego gniazdko. Następnie odłączyć przewód sieciowy od **skrzynki rozdzielczej (11)**.
UWAGA: W temperaturach poniżej -18°C (0°F) przed przystąpieniem do odśnieżania należy pozwolić, aby silnik rozgrzewał się przez kilka minut.
16. Przy odśnieżaniu zawsze eksploatować silnik z **regulatorem przepustnicy (13)** (jeśli wchodzi w skład wyposażenia) w położeniu FAST (szybkie).



OSTRZEŻENIE: Nigdy nie uruchamiać silnika wewnątrz budynku lub w zamkniętych miejscach ze słabą wentylacją. Spaliny z silnika zawierają tlenek węgla – bezwonny i śmiertelny gaz. Trzymać ręce, stopy, włosy i luźne fragmenty odzieży z dala od ruchomych części znajdujących się na silniku lub odśnieżarce. Temperatura tłumika i jego otoczenia może przekraczać 66°C (150°F). Należy unikać przebywania w pobliżu tych miejsc.

Rozruch ciepłego silnika (Rysunek 1)

Jeśli silnik pracował i jest nadal ciepły, pozostawić **regulator ssania (14)** w położeniu OFF (wyłączonym) i nie nacisnąć **przycisku pompki zastrzykowej (9)**. Jeśli silnik nie uruchomi się, wykonać instrukcje podane pod nagłówkiem „Rozruch zimnego silnika”.

UWAGA: Nie korzystać z przycisku pompki zastrzykowej (9) do uruchamiania ciepłego silnika.

Rozruch silnika z zamrożonym rozrusznikiem elektrycznym (Rysunek 1)

Jeśli rozrusznik elektryczny jest zamrożony i nie obraca silnika, należy wykonać podane niżej instrukcje.

1. Wyciągnąć maksymalnie linkę rozrusznika.

2. Zwolnić uchwyt rozrusznika i pozwolić, aby zwinął się z powrotem do rozrusznika. Powtarzać czynność, aż silnik się uruchomi.

Ciepły silnik powoduje skraplanie się pary wodnej podczas chłodnej pogody. Aby nie dopuścić do ryzyka zamarznięcia rozrusznika i elementów sterowania silnika, po każdym usunięciu śniegu należy wykonać następujące czynności:

1. Po zakończeniu odcieniania uruchomić maszynę na kilka minut, aby nie dopuścić do zamarznięcia ceruby odcieniającej/wirnika napędzanego.
2. Przy wyłączonym silniku, należy odczekać kilka minut, aby silnik ostygł.
3. Bardzo powoli pociągnąć linkę rozrusznika aż wyczuwalny będzie opór, a następnie przytrzymać. Pozwolić, aby linka rozrusznika się zwinęła. Powtórzyć tę czynność trzykrotnie.
4. Przy niepracującym silniku, wytrzeć cały śnieg i wilgoć z pokrywy gaźnika w obszarze elementów sterowania i dźwigni. Przesunąć także kilka razy regulator ssania i uchwyt rozrusznika.

Usuwanie śniegu lub resztek z obudowy śruby odśnieżającej 7



OSTRZEŻENIE: Nie dokonywać prób usuwania śniegu lub resztek, które mogą znajdować się w obudowie śruby odśnieżającej, bez przedsięwzięcia niżej wymienionych środków ostrożności.

(**Rysunek 7**) Do niektórych modeli dołączony został przepychacz do czyszczenia obudowy śruby odśnieżającej. Użyć przepychacza, aby usunąć śnieg z obudowy śruby odśnieżającej.

1. (**Rysunek 1**) Zwolnić **dźwignię napędu śruby odśnieżającej (5)**.
2. Zatrzymać silnik.
3. Wyjąć (nie obracać) **kluczyk ze stacyjki (8)**.
4. Odłączyć przewód świecy zapłonowej.
5. Nie wkładać rąk do **obudowy śruby odśnieżającej (4)** ani **rynienki wylotowej (3)**.
6. (**Rysunek 7**) W tym celu należy użyć przepychacza do czyszczenia śruby odśnieżającej lub innego narzędzia do usuwania śniegu lub innych pozostałości.

Porady dotyczące techniki odśnieżania

1. W celu osiągnięcia maksymalnej wydajności odśnieżarki, należy zmieniać prędkość ruchu posuwowego. NIGDY nie zmieniać w tym celu prędkości silnika. Ten model silnika został zaprojektowany z myślą o osiągnięciu maksymalnej wydajności przy całkowicie otwartej przepustnicy i należy go zawsze eksploatować w położeniu FAST (szybkie). Przy głębokiej, zamarzniętej lub mokrej pokrywie śnieżnej należy zmniejszyć prędkość posuwu do przodu. Prędkość posuwu do przodu należy zredukować również, gdy koła się ślizgają.
2. Największą wydajność odśnieżania osiąga się, gdy śnieg usuwa się natychmiast po jego opadzie.
OSTRZEŻENIE: Nie przeciążać odśnieżarki, próbując usunąć śnieg w zbyt szybkim tempie.
3. Aby całkowicie usunąć śnieg, należy lekko objąć zasięgiem odśnieżania poprzednie odśnieżone pasmo.

4. Jeśli jest to możliwe, śnieg należy odprowadzać z wiatrem.
5. Przy normalnej eksploatacji ustawić płozy tak, aby ramię zgarniaka znajdowało się około 3 mm nad płozami. W przypadku wyjątkowo zbitych powierzchni śniegu wyregulować płozy ku górze tak, aby ramię zgarniaka dotykało gruntu.
6. Odśnieżarka nie nadaje się do użycia na powierzchni pokrytej kamieniami i żwirem. Na powierzchniach pokrytych żwirem lub pokruszonymi skałami ustawić płozy na wysokości około 32 mm poniżej ramienia zgarniaka. Patrz „Regulacja wysokości płóz” w rozdziale „Konserwacja”.
7. Po każdej czynności odśnieżania należy pozostawić na kilka minut pracujący silnik na jałowym biegu. Śnieg i nagromadzony lód stopią się od ciepła silnika.
8. Po każdym użyciu odśnieżarkę należy wyczyścić.
9. Usunąć lód, śnieg i resztki z całej odśnieżarki. Spłukać wodą, aby usunąć osady soli i innych związków chemicznych. Wytrzeć odśnieżarkę do sucha.

WYKAZ CZYNNOŚCI KONSERWACYJNYCH

OBOWIĄZKI UŻYTKOWNIKA

REJESTR SERWISOWANIA ODŚNIEŻARKI Wpisywać daty przeprowadzania czynności serwisowych	Przed każdym użyciem	Pierwsze 2 godziny	Co 5 godzin	Co 10 godzin	Co 25 godzin	W każdym sezonie	Przed odstawieniem do przechowania	DATY SERWISOWANIA
Kontrola poziomu oleju w silniku	√		√			√		
Wymiana oleju w silniku					√	√		
Kontrola i dokręcenie wszystkich śrub i nakrętek	√					√		
Kontrola świecy zapłonowej					√	√		
Regulacja naciągu paska napędowego		√			√	√		
Kontrola paliwa	√							
Spuszczenie paliwa							√	
Kontrola regulacji linki sprzęgła śruby odśnieżającej (patrz „Regulacja linki”)		√				√		
Kontrola regulacji linki sprzęgła ruchu posuwowego (patrz „Regulacja linki”)		√				√		
Smarowanie wszystkich czopów soczewkowych				√			√	
Smarowanie wału śruby odśnieżającej (patrz „Wymiana śruby bezpiecznikowej ścinanej”)				√			√	
Smarowanie łańcuchów napędowych i zębatek				√			√	

KONSERWACJA

UWAGA: Ryciny ilustrujące przedstawiono na stronie 2 i na stronach 176 do 181.

Niniejszy rozdział dotyczący konserwacji pozwoli na utrzymanie urządzenia we właściwym stanie technicznym. Wszelkie informacje na temat konserwacji silnika zawarte są w instrukcji producenta silnika. Przed uruchomieniem silnika należy zapoznać się z tą instrukcją.



OSTRZEŻENIE: Przed dokonaniem inspekcji, regulacji (z wyjątkiem gaźnika) lub naprawy, należy odłączyć przewód od świecy zapłonowej.

Zalecenia ogólne

Gwarancja na niniejszą odśnieżarkę nie obejmuje elementów, które były przedmiotem niewłaściwej eksploatacji lub zaniedbania ze strony operatora. Aby skorzystać w pełnym zakresie z udzielanej gwarancji, operator zobowiązany jest konserwować odśnieżarkę zgodnie ze wskazówkami podanymi w niniejszej instrukcji.

Pewne czynności regulacyjne należy przeprowadzać okresowo, aby zapewnić właściwą konserwację odśnieżarki.

Po każdym użyciu

- Sprawdzić części pod kątem poluzowania lub uszkodzenia.
- Dokręcić wszystkie poluzowane elementy mocujące.

- Sprawdzić i przeprowadzić konserwację śruby odśnieżającej.
- Sprawdzić prawidłowość działania elementów układu sterowania.
- Jeśli jakkolwiek część jest zużyta lub uszkodzona, należy ją bezzwłocznie wymienić.
- Sprawdzić wszystkie naklejki i etykiety bezpieczeństwa i z instrukcjami. Uzupelnąć wszystkie brakujące i niecałkowicie czytelne etykiety i naklejki.

Wszystkie czynności regulacyjne opisane w rozdziale Konserwacja w niniejszej instrukcji należy przeprowadzać co najmniej raz w sezonie.

Według potrzeb

Poniższą regulację należy przeprowadzać częściej niż raz w sezonie.

- Wyregulować pasek napędowy śruby odśnieżającej po pierwszych 2-4 godzinach pracy, następnie w połowie sezonu, a później dwukrotnie w każdym sezonie. Patrz „Regulacja paska napędowego śruby odśnieżającej” w rozdziale „Konserwacja”.

Smarowanie

Co 10 godzin (Rysunek 14)

- Smarować **łączniki Zerka (1)** co 10 godzin przy użyciu smarownicy tłokowej.
- Przy każdorazowej wymianie śruby bezpiecznikowej ścinanej, należy również nasmarować wał śruby odśnieżającej.
- Nasmarować wszystkie czopy soczewkowe.

Co 25 godzin

Łańcuchy

- (Rysunek 1) Przesunąć **dźwignię zmiany prędkości (6)** w pierwsze przełożenie.
- Opróżnić zbiornik benzyny. Ustawić odśnieżarkę do góry na przednim końcu **obudowy śruby odśnieżającej (4)**.
- (Rysunek 22) Poluzować **śruby (3)** z obu stron **dolnego panelu (2)**.
- Zdjąć **dolny panel (2)**.
- (Rysunek 15) Nasmarować **łańcuchy (5)** smarem do łańcuchów.
- Przetrzeć **wał sześciokątny i zębaki (6)** olejem silnikowym typu 5W30.
UWAGA: Jeśli smar lub olej wejdzie w kontakt z **tarczą napędową (1)** lub **kołem ciernym (3)**, może to doprowadzić do uszkodzenia. Wytrzeć wszelkie pozostałości oleju rozpuszczalnikiem na bazie alkoholu.
- (Rysunek 22) Zamontować **dolny panel (2)**.
- Dokręcić **śruby (3)** z obu stron **dolnego panelu (2)**.

Elementy, których nie należy smarować (Rysunek 15)

- Nie smarować **wału sześciokątnego i zębatek (6)**. Wszystkie łożyska i panewki są smarowane fabrycznie na cały okres ich eksploatacji. Przed umieszczeniem odśnieżarki do przechowania nanieść niewielką ilość oleju silnikowego 5W-30 na szmatkę i przetrzeć **wał sześciokątny i zębaki (6)**, aby zapobiec ich korozji.
- Jeśli smar lub olej wejdzie w kontakt z **tarczą napędową (1)** lub **kołem ciernym (3)**, może dojść do uszkodzenia **koła ciernego (3)**. Dokładnie wytrzeć **tarczę napędową (1)** i **koło cierne (3)**.
PRZESTROGA: Pokrycie smarem lub olejem powyższych części składowych może doprowadzić do zanieczyszczenia **koła ciernego (3)**. Jeśli **tarcza napędowa (1)** lub **koło cierne (3)** zostaną zanieczyszczone smarem lub olejem, doprowadzi to do uszkodzenia **koła ciernego**.

- Obudowa przekładni śruby odśnieżającej jest smarowana fabrycznie i nie wymaga dodatkowego smarowania. Jeśli z jakiegokolwiek przyczyny smar wycieknie, kontrolę obudowy przekładni śruby odśnieżającej należy zlecić w autoryzowanym serwisie.

Regulacja wysokości płóz (Rysunek 1)

Ten model odśnieżarki wyposażony jest w dwie **płozy z regulacją wysokości (7)**. Płozy unoszą przód odśnieżarki. W przypadku standardowych twardych powierzchni, takich jak brukowany podjazd lub chodnik, płozy należy wyregulować w następujący sposób:

- Umieścić odśnieżarkę na równej powierzchni.
- Sprawdzić, czy ciśnienie w obydwu oponach jest jednakowe. Ciśnienie powinno mieścić się w zakresie 1-1,25 bara (14-17 PSI). Nie należy przekraczać maksymalnej wartości ciśnienia powietrza wskazanej na ścianie bocznej opony.
- Umieścić dodatkowe śruby bezpiecznikowe ścinane (**znajdujące się w woreczku na części (15)**) obok **regulowanych płóz (7)**.
- Poluzować **nakrętki mocujące (16)**, które trzymają **regulowane płozy (7)**. Aby obniżyć przód odśnieżarki, należy unieść każdą **regulowaną płożę (7)**. Dokręcić **nakrętki mocujące (16)**.

UWAGA: W przypadku skalistych lub nierównych powierzchni należy unieść przód odśnieżarki, przesuwając **regulowane płozy (7) do dołu**.



OSTRZEŻENIE: Upewnić się, że dla odśnieżanego obszaru zachowano właściwą odległość od gruntu.

Kontakt z wirnikami takich obiektów, jak żwir, skały lub inne resztki, może spowodować ich wyrzut z dużą siłą, prowadząc do obrażeń fizycznych, strat materialnych lub uszkodzenia odśnieżarki.

Regulacja ramienia zgarniaka (Rysunek 1)

Po długotrwałej eksploatacji **ramię zgarniaka (15)** ulegnie zużyciu. **Ramię zgarniaka (15)** w połączeniu z płozami należy wyregulować, aby uzyskać odstęp 3 mm między **ramieniem zgarniaka (15)** i odśnieżanym chodnikiem lub inną powierzchnią.

- Umieścić odśnieżarkę na równej powierzchni.
- Sprawdzić, czy ciśnienie w obydwu oponach jest jednakowe. Ciśnienie powinno mieścić się w zakresie 1-1,25 bara (14-17 PSI). Nie należy przekraczać maksymalnej wartości ciśnienia powietrza wskazanej na ścianie bocznej opony.
- Poluzować śruby i nakrętki zespołu przesuwu mocujące **ramię zgarniaka (15)** do **obudowy śruby odśnieżającej (4)**.
- Wyregulować **ramię zgarniaka (15)**, aby ustawić odstęp 3 mm między **ramieniem zgarniaka (15)** i odśnieżanym chodnikiem lub inną powierzchnią.
- Dokręcić śruby i nakrętki zespołu przesuwu. Sprawdzić, czy **ramię zgarniaka (15)** jest ustawione równolegle do chodnika lub innej odśnieżanej powierzchni.

- Aby wydłużyć żywotność **ramienia zgarniaka (15)**, należy zdemontować i odwrócić położenie zamontowanego **ramienia zgarniaka (15)**.

Kontrola i regulacja linek

Linka napędu posuwowego i linka napędu śruby odśnieżającej są regulowane fabrycznie. W trakcie normalnej eksploatacji linka może się wydłużyć, dlatego należy ją kontrolować i regulować przy użyciu następującej procedury:

Kontrola linek (Rysunek 16)

- Aby sprawdzić prawidłowość regulacji, należy odłączyć **łącznik „Z” (1)** od **dźwigni napędu (2)**.
- Przesunąć **dźwignię napędu (2)** do przodu, aż **dźwignia napędu (2)** zetknie się z **plastikowym zderzakiem (3)**.
- Linka sterująca jest prawidłowo wyregulowana, jeśli **środek łącznika „Z” (1)** jest **wyrównany (4)** z otworem w **dźwigni napędu (2)**, a na lince nie obserwuje się zwiśu.

Regulacja linki napędu śruby odśnieżającej

- Opróżnić zbiornik benzyny. Ustawić odśnieżarkę do góry na przednim końcu obudowy śruby odśnieżającej.
- (Rysunek 16) Odłączyć **łącznik „Z” (1)** od **dźwigni napędu (2)**.
- (Rysunek 17) Odciągnąć osłonę sprężyny ku górze, aby odkryć **sprężynę (5)**. Wsunąć **linkę (6)** przez **sprężynę (5)**, aby odsonić **kwadratowy koniec (7)** linki (6).
- Przytrzymać **kwadratowy koniec linki (7)** kombinerkami i wyregulować **przeciwnakrętkę (8)**, aż do usunięcia nadmiernego luzu.
- Wciągnąć **linkę (6)** z powrotem przez **sprężynę (5)**.
- (Rysunek 16) Podłączyć **łącznik „Z” (1)** do **dźwigni napędu (2)**.

UWAGA: Linkę należy skontrolować i wyregulować w przypadku regulacji lub wymiany paska napędowego śruby odśnieżającej.

Regulacja linki napędu posuwowego

- Opróżnić zbiornik benzyny. Ustawić odśnieżarkę do góry na przednim końcu obudowy śruby odśnieżającej.
- (Rysunek 22) Poluzować **śruby (3)** z obu stron **dolnego panelu (2)**.
- Zdjąć **dolny panel (2)**.
- (Rysunek 16) Odłączyć **łącznik „Z” (1)** od **dźwigni napędu posuwowego (2)**.
- (Rysunek 27) Zsunąć **tulejkę linki (3)** ze **wspornika regulacji linki (4)**.
- Wprowadzić dolny koniec **linki sterowania ruchem posuwowym (5)** przez **wspornik regulacji linki (4)**, aż możliwe będzie zdjęcie **łącznika „Z” (6)**.
- Zdjąć **łącznik „Z” (6)** ze **wspornika regulacji linki (4)**. Przesunąć **łącznik „Z” (6)** do dołu do następnego otworu regulacyjnego.
- Przeciwną **linkę sterowania ruchem posuwowym (5)** do góry przez **wspornik regulacji linki (4)**.



OSTRZEŻENIE: Benzynę należy opróżnić na zewnątrz budynku, z dala od źródeł ognia lub płomienia.

9. Umieścić **tulejkę linki (3)** nad **wspornikiem regulacji linki (4)**.
10. (**Rysunek 16**) Zamocować **łącznik „Z” (1)** do **dźwigni napędu posuwowego (2)**.
11. (**Rysunek 15**) Aby skontrolować regulację, wcisnąć dźwignię napędu i sprawdzić **długość „A” sprężyny napędu (7)**. W przypadku prawidłowej regulacji **długość „A” sprężyny napędu (7)** powinna wynosić: minimum 76 mm, maksimum 85 mm.
12. (**Rysunek 22**) Zamontować **dolny panel (2)**.
13. Dokręcić **śruby (3)** z obu stron **dolnego panelu (2)**.

Regulacja pasków

W trakcie normalnej eksploatacji paski się rozciągają. Jeśli zachodzi konieczność regulacji pasków z powodu ich zużycia lub rozciągnięcia, należy wykonać następującą procedurę:

Regulacja paska napędowego śruby odśnieżającej

Jeśli odśnieżarka nie odśnieża, należy sprawdzić regulację linki napędu śruby odśnieżającej. Patrz „Kontrola i regulacja linek” w rozdziale „Konserwacja”. Jeśli regulacja jest prawidłowa, sprawdzić stan paska napędowego śruby odśnieżającej. Jeśli pasek napędowy śruby odśnieżającej jest uszkodzony, należy go wymienić na nowy. Patrz „Wymiana pasków” w rozdziale „Konserwacja”. Jeśli pasek napędowy śruby odśnieżającej jest zbyt luźny, należy wykonać następującą procedurę:

1. Odłączyć przewód świecy zapłonowej.
2. (**Rysunek 18**) Odkręcić **śrubę (2)** od **osłony paska (1)**. Zdjąć **osłonę paska (1)**.
3. (**Rysunek 19**) Poluzować **nakrętkę (2)** na **kole pasowym jałowym (3)** Przesunąć **koło pasowe jałowe (3)** 3 mm w kierunku **paska napędowego śruby odśnieżającej (4)**.
4. Dokręcić **nakrętkę (2)**.
5. (**Rysunek 21**) Nacisnąć dźwignię napędu śruby odśnieżającej. Skontrolować naciąg **paska napędowego śruby odśnieżającej (4)**. Przy prawidłowej regulacji **pasek napędowy śruby odśnieżającej (4)** będzie ugiął się o **około 12,5 mm (5)** przy umiarkowanym nacisku. Jeśli regulacja nie jest właściwa, powtórzyć procedurę regulacji.
6. (**Rysunek 18**) Zamontować **osłonę paska (1)**. Dokręcić **śrubę (2)**.
7. Sprawdzić regulację linki napędu śruby odśnieżającej. Patrz „Kontrola i regulacja linek” w rozdziale „Konserwacja”.
8. Podłączyć przewód świecy zapłonowej.

Pasek napędowy posuwu

Pasek napędowy posuwu posiada stałe napięcie sprężyny i nie wymaga regulacji. Jeśli pasek napędowy posuwu ślizga się, należy wymienić go na nowy. Patrz „Wymiana pasków” w rozdziale „Konserwacja”.

Wymiana pasków

Paski napędowe posiadają specjalną konstrukcję i należy je wymieniać na oryginalne paski fabryczne do nabycia w lokalnym autoryzowanym centrum serwisowym.

Wykonanie niektórych czynności wymaga pomocy drugiej osoby.

Wymiana paska napędowego śruby odśnieżającej

Jeśli pasek napędowy śruby odśnieżającej jest uszkodzony, odśnieżarka nie będzie odśnieżać. Wymienić uszkodzony pasek zgodnie z poniższą procedurą:

1. Odłączyć przewód świecy zapłonowej.
2. (**Rysunek 2**) Odkręcić **śruby (1)** z obu stron **dolnego panelu (2)**.
3. Poluzować **śruby (3)** z obu stron **dolnego panelu (2)**.
4. Zdjąć **dolny panel (2)**.
5. (**Rysunek 18**) Odkręcić **śrubę (2)** od **osłony paska (1)**. Zdjąć **osłonę paska (1)**.
6. (**Rysunek 19**) Poluzować **przewodnik paska (9)**. Odciągnąć **przewodnik paska (9)** od **koła pasowego napędu śruby odśnieżającej (10)**.
7. Odciągnąć **koło pasowe jałowe (3)** od **paska napędowego śruby odśnieżającej (4)** i zsunąć **pasek napędowy śruby odśnieżającej (4)** z **koła pasowego jałowego (3)**.
8. Zdjąć **pasek napędowy śruby odśnieżającej (4)** z **koła pasowego silnika (11)**. Zdjąć **pasek napędowy śruby odśnieżającej (4)**; konieczne może być wykonanie częściowego obrotu **kołem pasowym silnika (11)**.
9. (**Rysunek 20**) Zdjąć cztery górne **śruby (21)** łączące **obudowę śruby odśnieżającej (22)** ze **skrzynią silnika (23)**. Poluzować dwie dolne **śrubki (24)**. **Obudowę śruby odśnieżającej (22)** i **skrzynię silnika (23)** można teraz rozdzielić, aby zdemontować pasek.
10. (**Rysunek 19**) Zdjąć stary **pasek napędowy śruby odśnieżającej (4)** z **koła pasowego napędu śruby odśnieżającej (10)**. Wymienić **pasek napędowy śruby odśnieżającej (4)** na oryginalny pasek do nabycia w autoryzowanym centrum serwisowym.
11. Zamontować nowy **pasek napędowy śruby odśnieżającej (4)** na **kole pasowym napędu śruby odśnieżającej (10)**.
UWAGA: Aby zamontować obudowę śruby odśnieżającej do (22) skrzyni silnika (23), druga osoba musi przytrzymać dźwignię sprzęgła śruby odśnieżającej w położeniu ZAŁĄCZONYM. W ten sposób ramię koła pasowego jałowego i koło pasowe (3) przesuną się na tyle, że możliwe będzie przesunięcie się koła pasowego napędu śruby odśnieżającej (10) z powrotem w jego położenie.

12. Zamontować **obudowę śruby odśnieżającej (22)** do **skrzyni silnika (23)** przy użyciu czterech **śrub (21)**, odkręconych w kroku 9. Dokręcić dwie dolne **śruby (24)**.

13. Założyć **pasek napędowy śruby odśnieżającej (4)** na **koło pasowe silnika (11)**.

14. Wsunąć **pasek napędowy śruby odśnieżającej (4)** pod **koło pasowe jałowe (3)**.

15. Wyregulować **pasek napędowy śruby odśnieżającej (4)**. Patrz „Regulacja paska napędowego śruby odśnieżającej” w rozdziale „Konserwacja”.

16. Wyregulować **przewodnik paska (9)**. Patrz „Regulacja przewodnika paska” w rozdziale „Konserwacja”.

17. (**Rysunek 18**) Zamontować **osłonę paska (1)**. Dokręcić **śrubę (2)**.

18. (**Rysunek 2**) Zamontować **dolny panel (2)**.

19. Dokręcić **śruby (1)** z obu stron **dolnego panelu (2)**.

20. Dokręcić **śruby (1)** i **śruby (3)** z obu stron **dolnego panelu (2)**.

21. Sprawdzić regulację linek. Patrz „Kontrola i regulacja linek” w rozdziale „Konserwacja”.

22. Podłączyć przewód świecy zapłonowej.

Wymiana paska napędowego posuwu

Jeśli odśnieżarka nie posuwa się do przodu, należy sprawdzić pasek napędowy posuwu pod kątem zużycia lub uszkodzenia. Jeśli pasek napędowy posuwu jest zużyty lub uszkodzony, należy wymienić go na nowy zgodnie z poniższą procedurą:

1. Odłączyć przewód świecy zapłonowej.
2. Zdjąć pasek napędowy śruby odśnieżającej. Patrz „Wymiana paska napędowego śruby odśnieżającej” w rozdziale „Konserwacja”.
3. (**Rysunek 19**) Zdemontować **pierścień (17)** z jednego końca **drażka płyty mostu przegubowego pędnego (18)**. Zdemontować **drażek płyty mostu przegubowego pędnego (18)**, aby umożliwić płycie mostu pędnego przegubowego obrót do przodu.
4. Zdemontować **sprężynę napędu posuwowego (16)**.
5. Zdjąć stary **pasek napędowy posuwu (13)** z **koła pasowego napędu posuwowego (14)** oraz z **koła pasowego silnika (15)**. Wymienić **pasek napędowy posuwu (13)** na oryginalny pasek do nabycia w autoryzowanym centrum serwisowym.
6. Założyć nowy **pasek napędowy posuwu (13)** na **koło pasowe napędu posuwowego (14)** oraz na **koło pasowe silnika (15)**.
7. Sprawdzić, czy **koło pasowe jałowe napędu posuwowego (12)** jest prawidłowo wyrównane z **paskiem napędowym posuwu (13)**.
8. Założyć **sprężynę napędu posuwowego (16)**.
9. Zamontować **drażek płyty mostu przegubowego pędnego (18)** i zabezpieczyć wcześniej usuniętym **pierścieniem (17)**.
10. (**Rysunek 32**) Spód **płyty mostu przegubowego pędnego (20)** musi znajdować się między **występami wyrównującymi (19)**. Sprawdzić, czy **płyta mostu przegubowego pędnego (20)** została prawidłowo zabezpieczona.
UWAGA: Jeśli napęd nie uruchomi się po wymianie paska napędowego posuwu, wówczas należy sprawdzić, czy płyta mostu przegubowego pędnego znajduje się między występami wyrównującymi (19).
11. (**Rysunek 19**) Założyć i wyregulować **pasek napędowy śruby odśnieżającej (4)**. Patrz „Wymiana paska napędowego śruby odśnieżającej” w rozdziale „Konserwacja”.
12. Wyregulować **przewodnik paska (9)**. Patrz „Regulacja przewodnika paska” w rozdziale „Konserwacja”.
13. (**Rysunek 22**) Zamontować **dolny panel (2)**.
14. Dokręcić **śruby (3)** z obu stron **dolnego panelu (2)**.

15. **(Rysunek 18)** Zamontować osłonę paska (1). Dokręcić śrubę (2).
16. Sprawdzić regulację linek. Patrz „Kontrola i regulacja linek” w rozdziale „Konserwacja”.
17. Podłączyć przewód świecy zapłonowej.

Regulacja prowadnika paska


1. Odłączyć przewód świecy zapłonowej.
2. **(Rysunek 18)** Odkręcić śrubę (2). Zdjąć osłonę paska (1).
3. **(Rysunek 1)** Załączyć dźwignię napędu śruby odśnieżającej (5).
4. **(Rysunek 23)** Zmierzyć odległość między prowadnikiem paska (2) a paskiem napędu śruby odśnieżającej (3). Właściwa odległość (4) to 3 mm.
5. Jeśli wymagana jest regulacja, poluzować śrubę mocującą prowadnika paska (2). Przesunąć prowadnik paska (2) we właściwe położenie (4). Dokręcić śrubę mocującą prowadnika paska (2).
6. **(Rysunek 18)** Zamontować osłonę paska (1). Dokręcić śrubę (2).
7. Podłączyć przewód świecy zapłonowej.

Regulacja lub wymiana koła ciernego

Kontrola koła ciernego

Jeśli odśnieżarka nie porusza się do przodu, sprawdzić pasek napędowy posuwu, linkę napędu posuwowego oraz koło cierne. Jeśli koło cierne jest zużyte lub uszkodzone, należy je wymienić na nowe. Patrz „Wymiana koła ciernego”. Jeśli koło cierne nie jest zużyte lub uszkodzone, należy przeprowadzić kontrolę zgodnie z poniższą procedurą:

1. **(Rysunek 1)** Przerwać dopływ benzyny ze zbiornika benzyny. Ustawić odśnieżarkę do góry na przednim końcu obudowy śruby odśnieżającej (4).

 **PRZESTROGA: Benzynę należy opróżnić na zewnątrz budynku, z dala od źródeł ognia lub płomienia.**

2. Odłączyć przewód świecy zapłonowej.
3. **(Rysunek 22)** Odkręcić śruby (1) z obu stron dolnego panelu (2).
4. Poluzować śruby (3) z obu stron dolnego panelu (2).
5. Zdjąć dolny panel (2).
6. **(Rysunek 1)** Przesunąć dźwignię zmiany prędkości (6) w pozycję najniższej prędkości do przodu.
7. **(Rysunek 24)** Odnotować położenie koła ciernego (4). Właściwa odległość „A” od prawej strony koła ciernego (4) do zewnętrznej powierzchni skrzyni silnika wynosi:

Rozmiar opony	Odległość „A”
12” i 13”	10,5 cm (4-1/8”)
16”	10,95 cm (4-5/16”)

 Jeśli koło cierne (4) nie znajduje się w prawidłowym położeniu, przeprowadzić regulację zgodnie z poniższą procedurą:

Regulacja koła ciernego

1. **(Rysunek 1)** Przesunąć dźwignię zmiany prędkości (6) w pozycję najniższej prędkości do przodu.
2. **(Rysunek 9)** Poluzować przeciwnakrętkę sześciokątną (9) na drążku wyboru prędkości (2). Zdemontować przegub kulowy (6) z drążka przesuwnika (7).
3. **(Rysunek 24)** Przesunąć koło cierne (4) w prawidłowe położenie.

4. **(Rysunek 9)** Obracać złącze pośredniczące (10), aż przegub kulowy (6) zrówna się z otworem montażowym w drążku przesuwnika (7). Po zrównaniu się podłączyć przegub kulowy (6) do drążka przesuwnika (7).
5. **(Rysunek 22)** Zamontować dolny panel (2).
6. Przykręcić śruby (1) z obu stron dolnego panelu (2).
7. Dokręcić śruby (3) z obu stron dolnego panelu (2).

Wymiana koła ciernego

Jeśli koło cierne jest zużyte lub uszkodzone, odśnieżarka nie przesuwa się do przodu. Koło cierne należy wymienić zgodnie z poniższą procedurą:



OSTRZEŻENIE: Nie należy smarować tarczy napędowej ani koła ciernego.

1. **(Rysunek 1)** Przerwać dopływ benzyny ze zbiornika benzyny. Ustawić odśnieżarkę do góry na przednim końcu obudowy śruby odśnieżającej (4).



OSTRZEŻENIE: Benzynę należy opróżnić na zewnątrz budynku, z dala od źródeł ognia lub płomienia.

2. Odłączyć przewód świecy zapłonowej.
3. **(Rysunek 28)** Poluzować śruby (1) z obu stron dolnego panelu (2).
4. Poluzować śruby (3) z obu stron dolnego panelu (2).
5. Zdjąć dolny panel (2).
6. **(Rysunek 29)** Zdemontować tylną kłamerę wsporczą (18).
7. **(Rysunek 30)** Przy użyciu klucza do wkrętów z sześciokątnym gniazdkiem 3/16” zdemontować elementy mocujące lewy zacisk osi (30) z osią (34).
8. Zdemontować prawe koło (35), oś (34), zacisk osi (30) i podkładkę (31).
9. **(Rysunek 28)** Odkręcić lewe koło (10) od osi (11).
10. **(Rysunek 31)** Zdemontować elementy mocujące wspornik osi (32). Zdemontować wspornik osi (32), panew (33).
11. Poluzować (nie odkręcać całkowicie) śruby mocujące łożyska osi (19) do skrzyni silnika.
12. Odkręcić zespół sprzęgła/zębataki napędu (20) od osi (11).
13. **(Rysunek 32)** Odkręcić cztery śruby (16) mocujące łożyska (7) po obu stronach wału sześciokątnego (8).
14. **(Rysunek 33)** Zdemontować wał sześciokątny (8) i łożyska (7).

UWAGA: Należy zwrócić szczególną uwagę na położenie podkładek (13).

15. **(Rysunek 26)** Zdemontować elementy mocujące (4) łączące koło cierne (5) z piastą (6).
16. **(Rysunek 26)** Zdemontować koło cierne (5) z piasty (6). Zsunąć koło cierne (5) z wału sześciokątnego (8).
17. Założyć nowe koło cierne (5) na piastę (6), stosując wcześniej usunięte elementy mocujące.
18. **(Rysunek 33)** Zamontować wał sześciokątny (8) i łożyska (7) za pomocą czterech wcześniej odkręconych śrub.

Upewnij się, że podkładki (17) zostały prawidłowo założone w pierwotnym położeniu. Sprawdzić również, czy dwie podkładki (13) są prawidłowo wyrównane z ramionami urządzenia uruchamiającego (14).

19. Sprawdzić, czy wał sześciokątny (8) może się swobodnie obracać.
20. Aby zainstalować pozostałe części, należy wykonać powyższe czynności w odwrotnej kolejności.
21. Sprawdzić regulację koła ciernego. Patrz „Regulacja koła ciernego”.
22. Sprawdzić, czy koło cierne i tarcza napędowa nie są zabrudzone smarem lub olejem.
23. **(Rysunek 28)** Zamontować dolny panel (2).
24. Dokręcić śruby (1) z obu stron dolnego panelu (2).
25. Dokręcić śruby (1) i śruby (3) z obu stron dolnego panelu (2).
26. Podłączyć przewód świecy zapłonowej.

Wymiana ścinanej śruby bezpiecznikowej w zespole śruby odśnieżającej

Śruby odśnieżające są zamocowane do wału śruby odśnieżającej specjalnymi ścinanymi śrubami bezpiecznikowymi. Ścinane śruby bezpiecznikowe zostają ścięte w przypadku zablokowania się obiektu w obudowie śruby odśnieżającej, chroniąc w ten sposób maszynę przed uszkodzeniem. Nie należy stosować twardszych śrub, gdyż wówczas zabezpieczenie zapewniane przez ścinaną śrubę bezpiecznikową nie zadziała.



OSTRZEŻENIE: Ze względów bezpieczeństwa i ochrony odśnieżarki, należy stosować wyłącznie oryginalne ścinane śruby bezpiecznikowe.

Aby wymienić przeciętą ścinaną śrubę bezpiecznikową, należy wykonać niżej opisaną procedurę. Zapasowe ścinane śruby bezpiecznikowe znajdują się w woreczku z częściami zapasowymi.

1. **(Rysunek 1)** Przesunąć regulator przepustnicy (13) w położenie stop. Wyłączyć wszystkie elementy sterowania.
 2. Odłączyć przewód świecy zapłonowej. Sprawdzić, czy wszystkie ruchome części znajdują się w spoczynku.
 3. **(Rysunek 14)** Nasmarować łącznik Zerka (1) wału śruby odśnieżającej (jeśli jest zainstalowany) przy użyciu smarownicy tłokowej.
 4. **(Rysunek 25)** Wyrównać otwór w śrubie odśnieżającej z otworem w wale śruby odśnieżającej. Założyć nową ścinaną śrubę bezpiecznikową (2), przekładkę (3) i przeciwnakrętkę (4).
- UWAGA: Jeśli model jest wyposażony w obudowę śruby odśnieżającej o rozmiarze 84 cm (33”), przekładka (3) nie jest konieczna.**
5. Podłączyć przewód świecy zapłonowej.

Przygotowanie odśnieżarki do odstawienia do przechowania



OSTRZEŻENIE: Nie spuszczać benzyny wewnątrz budynku, w pobliżu ognia ani nie palić w trakcie wykonywania tej czynności. Opary benzyny mogą spowodować wybuch lub pożar.

Jeśli odśnieżarka będzie przechowywana przez dłuższy okres czasu, zapoznać się z instrukcją obsługi producenta silnika (dołączoną do niektórych modeli) pod kątem ważnych wskazówek dotyczących konserwacji i przechowywania.

1. Spuścić paliwo ze zbiornika.
2. Pozwolić, aby silnik pracował, aż w zbiorniku zabraknie benzyny.
3. Nigdy nie przechowywać odśnieżarki z paliwem w zbiorniku wewnątrz budynku, gdzie obecne są źródła zapłonu, takie jak ogrzewacze wody lub grzejniki, suszarki do odzieży itp. Pozwolić, aby silnik ostygł przed umieszczeniem go w zamkniętej przestrzeni.
4. Spuścić olej z ciepłego silnika. Napełnić skrzynię korbowa silnika świeżym olejem.
5. Wyjąć świecę zapłonową i wlać około 29,6 ml oleju silnikowego do cylindra. Zamontować z powrotem świecę zapłonową i wolno obrócić korbą, aby rozprowadzić olej.
6. Dokładnie oczyścić odśnieżarkę.
7. Nasmarować wszystkie punkty smarowania (patrz rozdział „Konserwacja”).

8. Sprawdzić, czy wszystkie nakrętki i śruby są dobrze dokręcone. Sprawdzić wszystkie widoczne ruchome części pod kątem uszkodzeń, pęknięć i zużycia. W razie potrzeby wymienić.
9. Pokryć odsłonięte części metalowe obudowy dmuchawy, śruby odśnieżającej i wirnika antykorozyjnym smarem w aerozolu.
10. Umieścić maszynę w budynku posiadającym dobrą wentylację. Przechowywać w czystym i suchym miejscu, ale NIE w pobliżu kuchenki, pieca lub kotła parowego, które wykorzystują lampki kontrolne lub inne urządzenia mogące spowodować zapłon.
11. Jeśli maszyna musi być przechowywana na zewnątrz, wsunąć podkładki pod odśnieżarkę, aby mieć pewność, że cała maszyna znajduje się nad poziomem gruntu.
12. Przykryć odśnieżarkę odpowiednim materiałem ochronnym, który nie utrzymuje wilgoci. Nie używać w tym celu folii.

Zamawianie części zamiennych

Części zamienne wyszczególniono na ostatnich stronach niniejszej instrukcji obsługi lub w oddzielnym wykazie części.

Używaj wyłącznie autoryzowanych lub zatwierdzonych przez producenta części zamiennych. Nie używaj dodatków ani akcesoriów nie zalecanych konkretnie do wykorzystania w tym urządzeniu. Aby otrzymać właściwe części zamienne, należy podać numer modelu (sprawdź na etykiecie).

Aby otrzymać części zamienne, skontaktuj się ze swoim lokalnym dealerem.

Części zamienne do silnika, osi poprzecznej lub przekładni dostępne są w autoryzowanym centrum serwisowym producenta wyszczególnionym w części firmowej książki telefonicznej. Aby zamówić części zamienne, należy również zwrócić do indywidualnych gwarancji dla danego silnika lub przekładni. Podczas zamawiania wymagane jest podanie następujących informacji:

- (1) Numer modelu
- (2) Numer seryjny
- (3) Numer części
- (4) Ilość

ROZWIĄZYWANIE PROBLEMÓW TECHNICZNYCH

PROBLEM	PRZYCZYNA	ROZWIĄZANIE
Trudności z rozruchem	Uszkodzona świeca zapłonowa.	Wymienić świecę zapłonową.
	Woda lub zabrudzenia w układzie paliwowym.	Użyć spustu miski gaźnika, aby przepłukać i ponownie napełnić świeżym paliwem.
Silnik pracuje niestabilnie	Niedrożny układ paliwowy, pusty zbiornik benzyny lub zwiertzała benzyna.	Oczyścić układ paliwowy; sprawdzić dopływ paliwa; dodać świeżej benzyny.
Silnik gaśnie	Urządzenie pracuje w położeniu CHOKE (SSANIE).	Ustawić dźwignię ssania w położenie RUN (PRACA).
Silnik pracuje niestabilnie. Utrata mocy	Woda lub zabrudzenia w układzie paliwowym.	Użyć spustu miski gaźnika, aby przepłukać i ponownie napełnić świeżym paliwem.
Nadmierne drgania	Poluzowane części; uszkodzony wirnik napędzany.	Zatrzymać natychmiast silnik i odłączyć przewód świecy zapłonowej. Dokręcić wszystkie śruby i wykonać wszelkie niezbędne naprawy. Jeśli drgania się utrzymują, zlecić naprawę urządzenia wykwalifikowanemu pracownikowi serwisu.
Nie działa napęd odśnieżarki	Poluzowany lub uszkodzony pasek napędowy.	Wymienić pasek napędowy.
	Nieprawidłowo wyregulowana linka napędu posuwowego.	Wyregulować linkę napędu posuwowego.
	Zużyte lub uszkodzone koło cierne.	Wymienić koło cierne.
Odśnieżarka nie odśnieża	Poluzowany lub uszkodzony pasek napędowy śruby odśnieżającej.	Wyregulować pasek napędowy śruby odśnieżającej; wymienić, jeśli zostanie stwierdzone jego uszkodzenie.
	Nieprawidłowo wyregulowana linka sterowania śruby odśnieżającej.	Wyregulować linkę sterowania śruby odśnieżającej.
	Przecięta ścinana śruba bezpiecznikowa.	Wymienić ścinaną śrubę bezpiecznikową.
	Niedrożna rynienka wylotowa.	Zatrzymać natychmiast silnik i odłączyć przewód świecy zapłonowej. Oczyścić rynienkę wylotową i wewnątrz obudowy śruby odśnieżającej.
	Ciało obce zablokowane w śrubie odśnieżającej.	Zatrzymać natychmiast silnik i odłączyć przewód świecy zapłonowej. Usunąć ciało obce ze śruby odśnieżającej.

TURINYS

PAVOJAUS SIMBOLIAI IR JŲ REIKŠMĖS	116
VEIKIMO SIMBOLIAI IR JŲ REIKŠMĖS	116
SURINKIMAS	121
NAUDOJIMAS	121
TECHNINĖS PRIEŽIŪROS GRAFIKAS	124
TECHNINĖ PRIEŽIŪRA	124
GEDIMŲ NUSTATYMO IR ŠALINIMO LENTELĖ	128

Paveikslėliai (pavyzdžiui, 1 pav.) pateikti šio vadovo pirmo ir paskutinio puslapio viduje, prieš detalių sąrašą.

Bendroji informacija

Ši Instrukcijų knygelė parašyta asmeniui, šiek tiek išmanančiam mechaniką. Kaip ir daugelyje kitų techninės priežiūros knygelė, šioje aprašyti ne visi veiksmai. Pavyzdžiui, atsukti ar priveržti tvirtiklius sugeba bet kuris žmogus, šiek tiek išmanantis mechaniką. Prieš naudodamiesi mašina perskaitykite šias instrukcijas ir jų laikykitės.

Susipažinkite su gaminiu, kurį įsigijote: Jeigu žinosite, kokia mašinos sandara ir kaip ji veikia, darbas seksis kuo puikiau. Skaitydami šį vadovą iliustracijas lyginkite su pačia mašina. Išsiaiškinkite, kur yra valdymo prietaisai ir kaip jie veikia. Kad nebūtų nelaimingų atsitikimų, laikykitės naudojimo instrukcijų ir saugos taisyklių. Laikykitės šį vadovą, kad galėtumėte juo pasinaudoti ir vėliau.

SVARBU: Daugelis mašinų būna nesurinktos ir parduodamos supakuotos dėžėse. Rūpintis, kad būtų laikomasi šiame vadove nurodytų surinkimo instrukcijų, turi pats savininkas. Kitos mašinos parduodamos jau surinktos. Įsigydamas surinktą mašiną savininkas turi patikrinti, ar ji tinkamai surinkta. Pirmiausia jis turi kruopščiai patikrinti mašiną pagal šiame vadove pateiktas instrukcijas, o tik paskui ją naudoti.

Reikia pagalbos?

Jeigu jums reikia papildomos informacijos, kaip sumontuoti, eksploatuoti arba techniškai aptarnauti šį árenginį, susisiekite su savo vietos prekybos agentu.



Šiame vadove pateikiama saugos informacija, kad žinotumėte, kokių pavojų gali kilti dirbant su sniego valytuvu, ir kaip jų išvengti. Sniego valytuvai sukonstruoti ir skirti sniegui valyti, todėl neturėtų būti naudojami jokiems kitiems tikslams. Svarbu, kad bet kuris asmuo – jūs ar kas nors kitas, dirbsiantis su įranga, atidžiai perskaitytų šias instrukcijas.

⚠️ ĮSPĖJIMAS

Kalifornijos valstijoje žinoma, kad iš šios mašinos variklio išmetamos dujos sukelia vėžį, apsigimimus ar kitaip kenkia žmogaus reprodukcinėi sistemai.

Kartu su įspėjamoju simboliu vartojamas signalinis žodis (PAVOJINGA, ĮSPĖJIMAS arba ATSARGIAI), kuris reiškia susižalojimo galimybę ir sunkumo laipsnį. Be to, pavojaus pobūdžiui žymėti gali būti vartojamas pavojaus simbolis.



PAVOJINGA reiškia pavojų, kurio neišvengę **žūsitate arba sunkiai susižalosite**.



ĮSPĖJIMAS reiškia pavojų, kurio neišvengę **galite žūti arba sunkiai susižaloti**.



ATSARGIAI reiškia pavojų, kurio neišvengę **galite lengvai arba apysunkiai susižaloti**.

Frazė **ATSARGIAI**, vartojama **be** įspėjamojo simbolio, reiškia situaciją, dėl kurios **gali sugesti įranga**.

Valdymo prietaisai ir įrangos ypatumai (žr. 1 pav.)

Šlapiosios frikinės sankabos pavaros svirtis (1) - įjungia tiesioginę arba atbulinę eiga.

Skriejiko mazgas (2) - keičia išmetimo vamzdžio kryptį.

Išmetimo vamzdžio kreipiklis (3) - keičia sniego išmetimo atstumą.

Išmetimo vamzdis (4) - keičia sniego išmetimo kryptį.

Sraigto pavaros svirtis (5) - įjungia ir išjungia sraigimą (sniego surinkimo ir išmetimo funkcijas), kuris taip pat varo sniego valytuvą.

Pavarų perjungimo svirtis (6) - įjungia norimą sniego valytuvo pavarą.

Aukščio reguliavimo pavažėlė (7) - reguliuoja sraigto gaubto prošvaisą.

Pusnių rėžtuvai (18) - (jeigu yra) padaro taką per pusnis, aukštesnes už sraigto gaubtą.

Nukerpamieji varžtai (19) - siekiant apsaugoti mašiną sukonstruoti specialūs varžtai, kurie nulūžta, jeigu sraigto gaubte įstringa koks nors daiktas. Jeigu varžtas būtų tvirtesnis, sugestų apsauginis įtaisas, kurį laiko nukerpamieji varžtai.

Išmetimo vamzdžio nuotolinio valdymo svirtis (20) - reguliuoja sniego išmetimo atstumą.

Rankenų šildymo jungiklis (21) - įjungia rankenų šildymą.

Variklio ypatybės

Apsauginis raktas (8) - turi būti įkištas varikliui paleisti.

Degalų purkštuko mygtukas (9) - įpurškia degalus tiesiai į karbiuratorių, kai variklį reikia greitai paleisti šaltame ore.

Elektrinio paleidimo mygtukas (10) - būna modeliuose su elektrinio paleidimo sistema, naudojamas varikliui paleisti.

Skirstomoji dėžė (11) - būna modeliuose su elektrinio paleidimo sistema, naudojama 220 voltų elektros kabeliui prijungti.

Rankinio paleidiklio rankenėle (12) - variklis paleidžiamas rankiniu būdu.

Droselinės sklendės reguliatorius (13) - (jeigu yra) reguliuoja variklio apsukų dažnį.

Išjungimo jungiklis (13) - (jeigu yra) naudojamas varikliui išjungti.

Oro sklendės reguliatorius (14) - naudojamas šaltam varikliui paleisti.

Pavojaus simboliai ir jų reikšmės

Šie simboliai naudojami su įranga ir aiškinami darbo vadove. Peržiūrėkite simbolius ir įsidėmėkite reikšmes. Simbolis, naudojamas kartu su signaliniu žodžiu, įspės apie galimus pavojus ir nurodys, kaip jų išvengti.

	Pavojaus signalas informuoja apie pavojus, kurie gali baigtis asmens sužalojimu.
	Darbuotojo vadovas – atidžiai perskaitykite prieš pradėdami naudoti mašiną.
	Besisukantis sraigtas
	Besisukantis darbo ratas
	Nuodingi dūmai
	Besisukantys krumpliaračiai
	Išmetami daiktai
	Laikykitės saugaus atstumo nuo mašinos.
	Niekada neikiškite rankų prie sukamųjų dalių.
	Prieš atlikdami techninės priežiūros darbus ir remontuodami, išjunkite variklį ir ištraukite uždegimo žvakės jungtį.
	Gaisras
	Sprogimas
	Elektros smūgis
	Įkaitęs paviršius

Veikimo simboliai ir jų reikšmės

Šie simboliai naudojami su įranga ir aiškinami darbo vadove. Svarbu, kad juos peržiūrėtumėte ir įsidėmėtumėte reikšmes. Jei nežinosite simbolių reikšmės, gali kilti pavojus.

	Alyva		Į priekį
	Degalai		Neutrali pavarą
	Įjungta Išjungta		Atbulinė eiga
	Pirminio degalų papildymo įtaiso kolba		Uždegimas įjungtas
	Droselinė sklendė		Uždegimas išjungtas
	Oro sklendė išjungta		Uždegimo raktelis
	Oro sklendė įjungta		Elektrinis paleidimas paspaudus
	Stop		Elektrinis paleidimas
	Lėtai		Variklio paleidimas
	Greitai		Variklio veikia
	Įjungti		Variklis išjungtas
	Trauka		
	Sraigto rinktuvas		
	Sraigto sankaba		
	Pavaros sankaba		
	Įjungti		
	Išjungti		
	Išmetimo vamzdis		Išmetimo vamzdžio kreipiklis
	Į KAIRĘ		Į VIRŠŲ
	Į DEŠINĘ		ŽEMYN



⚠️ PAVOJUS

Būkite atsargus – besisukantis sraigtas gali mirtinai arba sunkiai sužaloti.

Laikykite atokiau rankas, kojas ir drabužius.

Šalinti užsikimšusio išmetimo vamzdžio turinį – pavojinga operacija.

- Jokiu būdu nemėginkite valyti šiukšlių ar užsikimšusio sniego iš sraigto, kol įranga įjungta arba kol veikia variklis.
- Atliekant mašinos techninės priežiūros darbus variklis turi būti sustabdytas, uždegimo žvakės laidas atjungtas.
- Kol variklis veikia, nepalikite mašinos be priežiūros. Kaskart išjunkite sraigta ir traukos valdymo prietaisus, sustabdykite variklį ir ištraukite raktelius.
- Dirbdami neleiskite artyn vaikų, gyvūnų ir pan. Daugelį vaikų mašinos vilioja. Nepamirškite netoliese esančių žmonių.
- Visi laisvi drabužiai turi būti kuo toliau nuo sniego valytuvo priekio ir sraigto. Besisukantis mazgas gali staigiai įtraukti šalikus, kumštines pirštines, kabančias virveles, laisvus drabužius, kelnes, todėl galite netekti galūnės. Susiriškite ilgus plaukus ir nusiimkite papuošalus.
- Sniego valytuvą skirtas tik sniegui valyti. Nenaudokite jo kitiems tikslams, naudokite tik pagal paskirtį.
- Nevalykite sniego važiuodami skersai šlaitų. Šlaituose keisdami kryptį būkite itin atsargūs. Nevalykite sniego nuo stacių šlaitų.
- Nevalykite sniego valytuvu statinių ar pastatų paviršių, esančių aukščiau pirmojo aukšto, pvz., nuo gyvenamųjų namų stogų, garažų, prieangių ir pan.



⚠️ PAVOJUS

Sraigtas gali įtraukti įvairių daiktų, kurie išmetami per išmetimo vamzdį.

Nenukreipkite išmetamo sniego srauto į žmones arba automobilius ir niekam neleiskite stovėti prieš sniego valytuvą.

- Dirbdami su mašina stebėkite aplinką. Pakliuvę po mašina įvairūs daiktai, gulintys po sniegu, pvz., žvyras, kilimėliai kojoms valyti, laikraščiai, žaislai ir akmenys, gali būti išmetami per vamzdį arba įstrigti sraigte.
- Nuolatos stebėkite, kuria kryptimi išmetamas sniegas. Išmetami daiktai gali sužaloti netoliese esančius praeivius ar gyvūnus arba sugadinti turta.
- Apžiūrėkite teritoriją, kurioje ketinate dirbti. Pasižymėkite kelių ir įvažiavimo ruožų ribas, kad nepadarytumėte žalos turtui ir sniego valytuvu neįtrauktumėte įvairių daiktų.
- Būkite atsargūs valydami sniegą nepažįstamose teritorijose. Saugokitės netikėtų pavojų ir važiuojančių mašinų.
- Sniego valytuvui atsitrenkus į pašalinį daiktą IŠJUNKITE variklį, palaukite, kol nustos judėti judančios detalės ir tuoj pat patikrinkite, ar sniego valytuvą nesugadintas. Jei pastebėjote gedimą, juos pašalinkite ir tik tada vėl užveskite sniego valytuvą ir toliau dirbkite.
- IŠJUNGĘ variklį palaukite, kol sustos judančios detalės, ir kaskart naudokitės lazda išmetimo vamzdžiui valyti.
- Jeigu mašina neprastai vibruoja, IŠJUNKITE variklį. Vibracija paprastai reiškia kokį nors gedimą. Jei mašiną reikia taisyti, susisieki su įgaliotu prekybos atstovu.



⚠️ PAVOJUS

Išmetimo vamzdį sudaro besisukantis darbo ratas sniegui išmesti. Jokiu būdu nevalykite išmetimo vamzdžio rankomis arba kol įjungtas variklis.

Mašina gali greitai įtraukti pirštus, juos nutraukti arba sutraiškyti.

- Išvalyti užkimštą sniego išmetimo lataką – labai pavojingas darbas.
- Jokiu būdu neikiškite rankų į išmetimo vamzdį ar prie jo.
- IŠJUNGĘ variklį palaukite, kol visos judančios detalės nustos judėti, tada su lazda išvalykite vamzdį.
- Vamzdį užkimšusiame sniege gali būti daiktų, kurie gali sugadinti mašiną, darbo ratą arba sraigta. Imkitės atsargumo priemonių, kai iš naujo jungsite mašiną po to, kai pašalinsite sniegą.



⚠️ ĮSPĖJIMAS

Varikliai išmeta anglies monoksida – bekvapės, bespalvės nuodingas dujas.

Įkvėpus anglies monoksido gali pykinti, žmogus gali netekti sąmonės arba mirti.

- Variklį užveskite ir eksploatuokite lauke.
- Uždaroje patalpoje variklio neužveskite ir nenaudokite, net jei durys ir langai atidaryti.



ĮSPĖJIMAS



Benzinas ir jo garai itin lengvai užsiliepsnoja ir yra sprogūs. Įvykus gaisrui arba sprogimui žmogus gali sunkiai apdegti ar net žūti.

JEI PILATE DEGALUS

- Variklį IŠJUNKITE ir bent 2 minutes palaukite, kol jis atvės, paskui atsukite dujų išleidimo angos dangtelį.
- Degalus į baką pilkite lauke arba tinkamai vėdinamoje patalpoje.
- Į baką nepripilkite per daug degalų.
- Benzina laikykite atokiai nuo kibirkščiavimo šaltinių, atviros ugnies, degiklių, karščio ir kitokių užsidegimo šaltinių.
- Degalų tiekimo linijas, baką, dangtelį ir tvirtiklius dažnai tikrinkite, ar nėra įtrūkių ir nuotėkių. Jeigu reikia, šias dalis pakeiskite.

JEI UŽVEDADE VARIKLĮ

- Patikrinkite, ar sumontuota uždegimo žvakė, duslintuvas, degalų bako dangtelis ir oro valytuvas.
- Nemėginkite užvesti variklio, jei išsukta uždegimo žvakė.
- Jei išsiliejo degalų, palaukite, kol jie išgaruos, ir tik tada užveskite variklį.
- Jei variklis persipildė degalų, oro sklendę perjunkite į padėtį ATIDARYTA / VEIKIMAS, droselį – į padėtį GREITAI, ir variklį įsukite, kol užsives.

JEI NAUDOJATĖS ĮRANGA

- Neišjunkite variklio uždarydami karbiuratoriaus oro sklendę.

JEI VEŽATE ĮRANGĄ

- Sniego valytuvą vežkite su TUŠČIU degalų baku.

JEI LAIKOTE BENZINĄ ARBA ĮRANGĄ SU DEGALAIS BAKE

- Laikykite atokiai nuo krosnių, viryklių, vandens šildytuvų ir kitų įrenginių su degikliais ar kitais uždegimo šaltiniais, nes nuo jų gali užsidegti benzino garai.

SAUGAUS EKSPLOATAVIMO TAISYKLĖS



ĮSPĖJIMAS: Ši mašina gali nupjauti rankas ir kojas bei svaityti objektus. Perskaitykite šias saugos taisykles ir gried'tai jomis vadovaukitės. Nesilaikydami šių taisyklių, galite prarasti įrengimo kontrolę, sunkiai susid'eisti arba galite d'ūti Jūs ar pašaliniai d'monės, galite padaryti d'alos turtui arba sugadinti įrengimą. Trikampis tekste reiškia svarbius perspėjimus arba įspėjimus, kuriais reikia vadovautis.

Saugaus sniego valytuvų eksploatavimo praktikos

DĖMESIO: Siekiant sumažinti sužalojimo riziką, saugumo standartai reikalauja, kad būtų įrengti operatorius valdomi valdikliai. Šiame sniego valytuve tokie valdikliai įrengti. Jokiais būdais nebandykite panaikinti operatoriaus valdymo funkcijos.

Mokymas

1. Prieš pradėdami eksploatuoti šį agregatą, perskaitykite, supraskite ir vadovaukitės visais šiame vadove išdėstytais nurodymais dėl šios mašinos. Nuodugnai susipažinkite su valdikliais ir kaip tinkamai naudoti šį įrengimą. Žinokite, kaip greitai išjungti agregatą ir atjungti valdiklius.
2. Niekada neleiskite vaikams eksploatuoti šio įrengimo. Niekada neleiskite suaugusiems eksploatuoti šio įrengimo be tinkamo apmokymo.
3. Darbo vietoje neturi būti žmonių, ypač mažų vaikų ir kambarinių gyvūnėlių.
4. Būkite atsargūs, kad nepaslystumėte arba nenukristumėte, ypač dirbdami su įrengimu atbuline eiga.

Paruošimas

1. Kruopščiai apžiūrėkite vietą, kurioje naudosite įrengimą, ir pašalinkite visus durų kilimėlius, rogutes, lentas, laidus ir kitus pašalinius objektus.
2. Prieš užvesdami variklį, atleiskite visus stabdžius ir įjunkite neutralią pavarą.
3. Nedirbkite su įrengimu, neapsirengę tinkamų žieminių viršutinių drabužių. Dėvėkite avalynę, kuri užtikrintų tvirtą atramą ant slidžių paviršių. Venkite dėvėti laisvus drabužius, kuriuos gali įtraukti judančios dalys.
4. Būkite atsargūs su degalais; jie nepaprastai degūs.
 - a. Naudokite tinkamą degalų baką.
 - b. Niekada nepilkite degalų varikliui veikiant arba kai variklis dar įkaitęs.
 - c. Degalų baką pildykite lauke ir būkite itin atsargūs. Niekada nepildykite degalų bako patalpoje. Vėl užsukite degalų bako dangtelį ir nuvalykite išsiliejusius degalus.
 - d. Niekada nepildykite bakų transporto priemonės ar sunkvežimio viduje arba ant priekabos su plastmasiniais kraštais platformos. Prieš degalų įpylimą, bakus visada statykite ant žemės, atokiai nuo transporto priemonės.
 - e. Jeibu įmanoma, išimkite iš sunkvežimio arba priekabos dujų įrangą ir pildykite ją ant žemės. Jeigu to padaryti negalima, tada geriau pripildykite degalų priekaboje, naudodami nešiojamą bakelį, o ne benzino automato antgalį.
 - f. Pildydami degalų, visuomet laikykite antgalį prispaudę prie degalų bako arba bakelio angos krašto. Nenaudokite antgalio fiksavimo-atlaisvinimo įtaiso.
 - g. Vėl užsukite degalų bako dangtelį ir nuvalykite išsiliejusius degalus.
 - h. Jeigu degalai išsilietę ant drabužių, nedelsiant persirenkite.
5. Agregatams su elektriniais varikliais arba elektra užvedamais varikliais, naudokite ilginimo laidus ir kištukinius lizdus, pagal gamintojo nurodymus.
6. Pareguliuokite kolektoriaus korpuso aukštį, kad jis neliestų žvyruoto kelio arba skalda padengto kelio paviršiaus.

7. Niekada nebandykite atlikti jokių reguliavimo darbų, kai variklis veikia (išskyrus tuos atvejus, kai tai konkrečiai rekomenduoja gamintojas).
8. Prieš pradėdami valyti sniegą, leiskite varikliui ir sniego valytuvui prisitaikyti prie lauko temperatūros.
9. Darbo metu arba atlikdami reguliavimo ar remonto darbus, būtina dėvėkite apsauginius akinius arba akių apsaugas, kad apsaugotumėte akis nuo pašalinių objektų, kuriuos gali svaityti mašina.
10. Niekada neeksploatuokite sniego valytuvo be tinkamų apsauginių įtaisų, skydų arba kitų sumontuotų apsaugos prietaisų.

Veikimas

1. Nekiškite rankų ar kojų artyn prie besisukančių dalių arba po jomis. Visada stovėkite atokiai nuo sniego išmetimo angos.
2. Būkite itin atsargūs, dirbdami žvyruotuose keliuose, takuose ar plentuose arba važiuodami per juos. Būkite budrūs ir saugokitės nematomų pavojų arba transporto.
3. Atsitrenkę į pašalinį objektą, išjunkite variklį, ištraukite uždegimo žvakės laidą, atjunkite laidą nuo elektrinio variklio, atidžiai apžiūrėkite sniego valytuvą, ar jis neapgadintas ir atitaisykite gedimą prieš vėl jį įjungdami ir eksploatuodami.
4. Jeigu agregatas pradėtų neįprastai vibruoti, išjunkite variklį ir nedelsiant išsiaiškinkite to priežastį. Vibracija paprastai yra įspėjimas apie gedimą.
5. Visada, kai tik paliekate darbo vietą arba atlikdami bet kokius remonto, reguliavimo arba patikrinimo darbus, išjunkite variklį, prieš tai atjungę kolektoriaus/sparnuotės korpusą arba sniego išmetimo lataką.
6. Valydami, taisydami arba apžiūrėdami įrengimą, įsitikinkite, ar kolektorius/sparnuotė ir visos judančios dalys sustojo. Atjunkite uždegimo žvakės laidą ir laikykite jį atokiai nuo jos, kad išvengtumėte atsitiktinio užvedimo.
7. Neleiskite varikliui dirbti patalpoje, išskyrus tada, kai užvedate variklį ir įvairuojate sniego valytuvą į pastatą arba iš jo. Atidarykite lauko duris; išmetamosios dujos yra pavojingos (jose yra ANGLIES MONOKSIDO - BEKVAPIŲ MIRTINŲ DUJŲ).
8. Dirbdami nuokalnėse, būkite itin atsargūs. Nebandykite valyti sniego ant stačių šlaitų.
9. Niekada neeksploatuokite sniego valytuvo be tinkamų apsauginių įtaisų arba kitų sumontuotų ir veikiančių apsaugos prietaisų.
10. Niekada nenukreipkite išmetamo sniego lataką link žmonių arba ten, kur galite padaryti žalos turtui. Neleiskite artyn vaikų ir aplinkinių.
11. Neviršykite mašinos galios, bandydami valyti sniegą per greitą tempą.
12. Niekada neeksploatuokite šios mašinos, važiuodami dideliu greičiu slidžiais keliais. Dirbdami atbuline eiga, žiūrėkite atgal ir būkite atsargūs.
13. Atjunkite kolektoriaus/sparnuotės maitinimą, kai sniego valytuvą gabenamas arba nenaudojamas.
14. Naudokite tik sniego valytuvo gamintojo patvirtintus papildomus įtaisus ir priedus (pavyzdžiui, vairuotojo kabinas, padangų gmdines ir t.t.).
15. Niekada neeksploatuokite sniego valytuvo esant blogam matomumui arba blogam apšvietimui. Visada tvirtai remkitės kojomis ir tvirtai laikykitės už rankenų. Vaikščiokite, o ne bėgiokite.
16. Niekada nelieskite įkaitusio variklio arba duslintuvo.
17. Niekada neeksploatuokite sniego valytuvo šalia stiklinių aptvėrimų, automobilių, langų, šulinių, kalnų šlaitų ir pan., prieš tai tinkamai nenustatę sniego išmetimo kampo.
18. Niekada nenukreipkite sniego išmetimo lataką link praeivių ir leiskite jiems praeiti pro agregato priekį.

19. Niekada nepalikite veikiančio agregato be priežiūros. Visada atjunkite sraigta ir traukos valdiklius, išjunkite variklį ir ištraukite raktelį.
20. Nedirbkite su agregatu, būdami alkoholio arba narkotikų poveikyje.
21. Prisiminkite, kad operatorius yra atsakingas už nelaimingus atsitikimus, atsitikusius kitiems žmonėms arba padarytą žalą turtui.
22. Duomenys rodo, kad 60 metų arba vyresni operatoriai susiję su didele procentine sužalojimų, susijusių su elektriniais įrengimais, dalimi. Šie operatoriai turėtų įvertinti savo sugebėjimą pakankamai saugiai valdyti agregatą, kad apsaugotų patys ir nesužeistų aplinkinių.
23. NEDĖVĖKITE ilgų kaklaskarių arba laisvų drabužių, kuriuos galėtų įtraukti judančios dalys.
24. Sniegas gali paslėpti kliūtis. Būtinai pašalinkite visas kliūtis iš tos vietos, kurioje valysite sniegą.

Vaikai

Gali įvykti tragiškų avarių, jeigu operatorius nebus budrus, kad darbo vietoje nebūtų vaikų. Vaikus dažnai sudomina veikiantis agregatas. Niekada nemanykite, kad vaikai liks ten, kur paskutinį kartą juos matėte.

1. Neleiskite artyn vaikų; juos turi atidžiai prižiūrėti kitas atsakingas suaugęs žmogus.
2. Būkite budrus ir išjunkite mašiną, jeigu darbo vietoje pasirodo vaikas.
3. Niekada neleiskite vaikams eksploatuoti šio įrengimo.
4. Būkite ypač atsargūs, kai priartėjate prie nematomų posūkių, krūmokšnių, medžių arba kitų objektų, kurie gali trukdyti matomumui.

Užkimšto sniego išmetimo latako valymas

Dažniausia su sniego valytuvais susijusi sužalojimo priežastis – rankos prilietimas prie besisukančios sparnuotės, esančios išmetimo latako viduje. Niekada nevalykite išmetimo latako rankomis.

Jeigu norite išvalyti išmetimo lataką:

1. IŠJUNKITE VARIKLĮ.
2. Palaukite 10 sekundžių, kad sparnuotės mentės sustotų sukty.
3. Valykite valymo įrankiu, ne rankomis.

Techninis aptarnavimas, techninė priežiūra ir įrengimo saugojimas

1. Norėdami užtikrinti saugią įrengimo darbinę būklę, dažnai tikrinkite nukerpus varžtus (kaiščius) ir kitus varžtus, ar jie tinkamai užveržti.
2. Niekada nelaikykite mašinos su pilnu degalų baku pastate, kuriame yra uždegimo šaltinių, pavyzdžiui, karšto vandens ir patalpos šildytuvų arba drabužių džiovintuvų. Prieš pastatydami mašiną bet kokiaje uždaroje patalpoje, leiskite varikliui atušti.

3. Jeigu sniego valytuvą ketinate saugoti ilgesnį laiko tarpą, svarbias detales apie ilgalaikį saugojimą rasite eksploatavimo vadove.
4. Kai reikia, pataisykite arba pakeiskite saugos ir instrukcijos žymėtines lenteles naujomis.
5. Pabaigę sniego valymo darbą, leiskite mašinai padirbti dar kelias minutes, kad neapšaltų kolektorius/sparnuotė.
6. Išsipylus degalams, nebandykite užvesti variklio, tik patraukite mašiną šalin nuo degalų išsiliejimo vietos ir venkite sukurti kokį nors uždegimo šaltinį, kol degalų garai neišsisiklaidys.
7. Visuomet vadovaukitės saugiomis degalų pripildymo ir tvarkymo praktikomis, kai pripildote degalų po gabenimo arba saugojimo.
8. Prieš palikdami agregatą trumpalaikiam arba ilgalaikiam saugojimui, visada vadovaukitės variklio eksploatavimo vadovo nurodymais dėl paruošimo saugojimui.
9. Vėl pradėdami naudoti agregatą, vadovaukitės variklio eksploatavimo vadovo nurodymais dėl tinkamo mašinos paleidimo.
10. Veržlės ir varžtai turi būti tvirtai užveržti, įrengimas turi būti geros būklės.
11. Niekada negadinkite apsauginių prietaisų. Reguliariai patikrinkite, ar jie tinkamai veikia ir, jeigu jie tinkamai neveikia, atlikite būtinus remonto darbus.
12. Sudedamosios dalys gali susidėvėti, sugesti, jos gali būti apgadintos. Dažnai tikrinkite sudedamąsias dalis ir, jeigu reikia, pakeiskite jas naujomis gamintojo rekomenduojamomis dalimis.
13. Dažnai tikrinkite valdymo svirčių veikimą. Pareguliuokite ir, jeigu reikia, atlikite techninį aptarnavimą.
14. Atlikdami remonto darbus, naudokite gamyklos patvirtintas keičiamąsias dalis.
15. Atlikdami bet kokius nustatymo ir reguliavimo darbus, visada vadovaukitės gamykline technine specifikacija.
16. Kapitalinį techninį aptarnavimą ir remontą reikėtų patikėti tik įgaliotiems techninio aptarnavimo centrums.
17. Niekada nebandykite atlikti šio agregato kapitalinio remonto patys, jeigu nesate tam tinkamai kvalifikuotas. Atlikus netinkamas techninio aptarnavimo procedūras, įrengimas gali pavojingai veikti, jis gali sugesti ir gali būti panaikinta gamintojo suteikta garantija.

Išmetami teršalai

1. Iš šio gaminio variklio išmetamuose teršaluose yra cheminių medžiagų, kurių tam tikri kiekiai, kaip žinoma, gali sukelti vėžį, apsigimimus arba reprodukcinę žalą.
2. Jeigu pateikta, žiūrėkite ant variklio esančią informaciją apie atitinkamą išmetamų teršalų patvarumo laikotarpį ir oro indeksą.

Uždegimo sistema

1. Ši uždegimo žvakės sistema atitinka Kanados standartą ICES-002.

SURINKIMAS

Perskaitykite ir laikykites savo sniego valytuvo surinkimo ir reguliavimo instrukcijų. Visi tvirtikliai yra maišelyje su surenkamosiomis dalimis. Jokių dalių arba medžiagų neišmeskite tol, kol mašina bus surinkta.



ĮSPĖJIMAS: Ketindami surinkti sniego valytuvą arba atlikti jo techninę priežiūrą, pirma nuo uždegimo žvakės atjunkite laidą.

PASTABA: Šioje instrukcijų knygelėje „kairė“ ir „dešinė“ reiškia kurios nors mašinos dalies vietą žiūrint iš operatoriaus vietos už mašinos.

PASTABA: Sukimo momentas matuojamas svarais kvadratinei pėdai (metrinėje matavimo sistemoje – niutonmetrais (Nm)). Ši vertė rodo, kaip stipriai turi būti užveržta veržlė ar varžtas. Sukimo momentas matuojamas su dinamometrinio veržliarakčiu.

PASTABA: Viso dydžio tvirtikliai ir palaidos dalys parodyti 2 pav 175 puslapyje.

PASTABA: Iliustracijos pateiktos 2 puslapyje ir 176–181 puslapiuose.

Reikalingi įrankiai

- 1 Peilis
- 1 Replės
- 2 1/2 colio veržliarakčiai su atviromis žiotimis
- 2 9/16 colio veržliarakčiai su atviromis žiotimis
- 2 3/4 colio veržliarakčiai su atviromis žiotimis
- 1 Tieslė arba liniuotė
- 1 Atsuktuvas

Kaip išpakuoti sniego valytuvą

1. (3 pav.) Sniego valytuvus parodytas tokioje padėtyje, kokią gabenamas.
2. Nupjaukite visus keturis dėžės kampus ir paguldyskite ant žemės šonines plokštes, arba iškelkite dėžę už ašelių.
3. Perpjaukite ir išmeskite plastikinius raiščius, kuriais pririšti skriejiko ir greičio reguliavimo strypo mazgai.
4. Susiraskite visas atskirai supakuotas dalis ir išimkite jas iš dėžės.
5. Išimkite ir išmeskite pakavimo medžiagą, apdėtą aplink sniego valytuvą.
6. (1 pav.) Mašiną gabenant aukščio reguliavimo pavažėlės (7) tvirtinamos prie padėklo. Išsukite sraigta (17), kuriuo kiekviena aukščio reguliavimo pavažėlė (7) tvirtinama prie padėklo.
7. Laikydami už apatinės rankenos nutraukite sniego valytuvą nuo padėklo.

ATSARGIAI: NETRAUKITE per kabelius.

8. Išimkite pakavimo medžiagą iš rankenos mazgo.
9. Perpjaukite raiščius, su kuriais sankabos valdymo kabeliai (1) pririšti prie apatinės rankenos (2). Kabelius patraukite tolyn nuo variklio rėmo.

Kaip surinkti rankeną

1. (4 pav.) Atsukite, tačiau neištraukite tvirtiklių (1), esančių viršutinėse apatinės rankenos (3) angose.
2. Ištraukite tvirtiklius iš apatinės rankenos (3) apatinių angų.

3. (1 pav.) Pavarų perjungimo svirtį (6) pastumkite į priekinę padėtį.
4. (4 pav.) Viršutinę rankeną (2) patraukite į darbinę padėtį.
PASTABA: Patikrinkite, ar kabeliai neįstrigo tarp viršutinės ir apatinės rankenų.
5. Įsukite tvirtiklius, kuriuos išsukote atlikdami 2. veiksmą. NEUŽVERŽKITE jų, kol neįsukote visų tvirtiklių.
6. Užveržkite visus rankenos tvirtiklius.

Kaip sumontuoti greičio reguliavimo strypą

1. (9 pav.) Rutulinį lankstą (6), esantį apatiniame greičio reguliavimo strypo (2) gale, sujunkite su pavarų perjungimo šakutės mazgu (7). Tvirtikliai (8) būna pritvirtinti prie rutulinio lanksto (6) dar gamykloje.
Rutulinio lanksto (6) ir greičio reguliavimo strypo (2) ilgis iš anksto sureguliuojamas gamykloje. Jei reikia sureguliuoti tiksliau, atsukite veržlę (9). Ištraukite tvirtiklius (8) ir rutulinį lankstą (6) atjunkite nuo pavarų perjungimo šakutės mazgo (7). Jei norite pailginti ar sutrumpinti greičio reguliavimo strypą (2), pasukite adapterį (10) ir nustatykite tinkamą ilgį.
2. (12 pav.) Rankenėlę (11) užsukite ant pavarų perjungimo svirties (5). Kai kurių modelių mašinos šie rankenėlė (11) jau būna pritvirtinta. Norėdami ją užfiksuoti, kontrveržlę su šešiabriaune galvute (10) priveržkite taip, kad ji prispaustų prie rankenėlės (11) apačios.
3. Patikrinkite, ar pavarų perjungimo svirtį (5) veikia tinkamai. Pavarų perjungimo svirtį (5) perjunkite iš eilės į visas pavaras.

Kaip sumontuoti rankenėles

PASTABA: Jei rankenėlės jau sumontuotos, eikite prie kito skyriaus.

Išmetimo vamzdžio nuotolinio valdymo rankenėlė (12 pav.)

1. Išmetimo vamzdžio nuotolinio valdymo rankenėlę (1) maukite ant svirties (3), kol ji atsirems į veržlę (2). Kai kurių modelių mašinos išmetimo vamzdžio nuotolinio valdymo rankenėlė (1) jau būna užmauta.
2. Patikrinkite, ar liežuvėlis (4), esantis ant išmetimo vamzdžio nuotolinio valdymo rankenėlės (1), nukreiptas variklio link.
3. Veržlę (2) užsukite taip, kad ji tvirtai remtųsi į išmetimo vamzdžio nuotolinio valdymo rankenėlės (1) apačią.

Kaip surinkti išmetimo vamzdžio kreipiklį

1. (6 pav.) Išsukite varžtą su kvadratine poveržle (1).
2. Išmetimo vamzdžio kreipiklį (2) pakelkite į darbinę padėtį (3).
3. Išmetimo vamzdžio kreipiklį (2) pritvirtinkite prie flanšo (4) su varžtais (1). Juos įsukite taip, kad varžtų (1) galvutės būtų vidinėje flanšo (2) pusėje.
4. Užfiksuokite su poveržlėmis (5) ir fiksavimo veržlėmis (6).
5. Fiksavimo veržles (6) užveržkite stipriai.

PASTABA: Patikrinkite, ar visi flanše esantys varžtai su kvadratinėmis poveržlėmis tinkamai užveržti. NEUŽVERŽKITE PER STIPRIAI.

Patikrinkite kabelius

1. (8 pav.) Patikrinkite šlapiosios frikinės sankabos pavaros kabelį (1) ir sraigto pavaros kabelį (2). Jeigu atsijungė apatiniai kabelių galai, juos vėl prijunkite.
2. (10 pav.) Jei kabelių (5) viršutiniai galai atsijungė nuo pavarų svirties (6), kabelius (5) prijunkite prie Z pavidalo tvirtiklio (7).

Kaip nustatyti pavažėlių aukštį (1 pav.)

Sniego valytuve įtaisytos reguliuojamo aukščio pavažėlės (7), sumontuotos išorinėje sraigto gaubto (4) pusėje. Jeigu norite sureguliuoti pavažėlių aukštį, žiūrėkite pastraipą „Kaip sureguliuoti pavažėlių aukštį“, skyrius „Techninė priežiūra“.

Kaip nustatyti kabelių ilgį

Kabelių ilgis buvo parinktas dar gamykloje ir jokie papildomi nustatymo nereikia. Tačiau įtvirtinus rankenas darbo padėtyje kabeliai gali būti pernelyg įtempti arba per laisvi. Jeigu jų ilgį būtina sureguliuoti, žiūrėkite pastraipą „Kaip patikrinti ir sureguliuoti kabelius“ skyriuje „Priežiūra ir reguliavimas“.

Kaip surinkti pusnių rėžtuvą (jeigu jis yra)

Pusnių rėžtuvais padaromas takas, jeigu pusnių aukštesnės už sraigto gaubtą.

1. (11 pav.) Atsukite sparnines veržles (2), su kuriomis pusnių rėžtuvai (1) tvirtinami prie sraigto gaubto.
2. Pusnių rėžtuvus (1) pakelkite į norimą aukštį.
3. Priveržkite sparnines veržles (2).

Kaip paruošti variklį

PASTABA: Iš gamyklos atvežto valytuvo variklis būna pripildytas alyvos. Patikrinkite alyvos lygį. Jeigu reikia, įpilkite dar.



ĮSPĖJIMAS: Laikykites variklio gamintojo nurodymų dėl naudotino degalų ir alyvos tipo. Visada naudokite saugų degalų bakelį. Pildami į variklį degalus nerūkykite. Degalus į variklį nepilkite patalpoje. Prieš pildami degalus variklį išjunkite. Leiskite varikliui atvėsti keletą minučių.

Patikrinkite alyvos lygį. Žr. variklio gamintojo nurodymus dėl naudotino degalų ir alyvos tipo. Prieš dirbdami su valytuvu perskaitykite informaciją apie saugą, naudojimą, techninę priežiūrą ir mašinos laikymą.

Svarbu! Prieš pradėdami darbą

- Patikrinkite tvirtiklius. Visi tvirtikliai turi būti tinkamai užveržti.
- Valytuvo modeliai su elektrinio paleidimo sistema siunčiami iš gamyklos su paleidiklio laidu, įkištu į variklį. Prieš pradėdami darbą ištraukite paleidiklio laidą iš variklio.

NAUDOJIMAS

PASTABA: Iliustracijos pateiktos 2 puslapyje ir 176–181 puslapiuose.

ATSARGIAI: naudokite tik sniego valytuvo gamintojo leidžiamą papildomą įrangą ir priedus (pvz., padangų grandines, elektrinio paleidimo blokus ir kt.).

Turite žinoti savo sniego valytuvo sandarą (1 pav.)

Prieš pradėdami darbą su sniego valytuvu perskaitykite šią Instrukcijų knygelę ir saugos taisykles. Paveikslėlių palyginkite su sniego valytuvu, pasidomėkite, kur yra įvairūs valdymo prietaisai ir kaip reguliuojami įvairūs valytuvo įtaisai.

Kaip sureguliuoti sniego išmetimą



ĮSPĖJIMAS: Išmetamo sniego srovės niekada nenukreipkite į greta stovinčius žmones.



ĮSPĖJIMAS: Prieš valydami užsikimšusį išmetimo vamzdį ar sraigto gaubtą ir pasitraukdami nuo sniego valytuvo visada išjunkite variklį.

1. (5 pav.) Pasukite **skriejiko mazgą (2)** ir pakeiskite sniego išmetimo kryptį.
2. **Išmetimo vamzdžio nuotolinio valdymo svirtį (17)** patraukite atgal, kad sniegas būtų išmetamas aukštai ir toli. **Išmetimo vamzdžio nuotolinio valdymo svirtį (17)** pastumkite į priekį, kad sniegas būtų išmetamas žemai.

Kaip išjungti sniego valytuvą (1 pav.)

1. Jei norite išjungti sniego išmetimo sistemą, atleiskite **sraigto pavaros svirtį (5)**.
2. Jei norite, kad ratai nesisuktų, atleiskite **šlapiosios frikcinės sankabos pavaros svirtį (1)**.
3. Modelių su **droselio valdymo svirtimi (13)** variklį išjunkite pirmiausia **droselio valdymo svirtį (13)** perjungę į LĒTOS EIGOS padėtį, o paskui - į SUSTABDYMO padėtį.
4. Modelių su **uždegimo jungikliu (13)** variklį išjunkite **uždegimo jungiklį (13)** perjungę į IŠJUNGIMO padėtį.
5. Ištraukite **apsauginį raktą (8)**.

ATSARGIAI: jei reikia išjungti variklį, droselinės sklendės valdiklio neperjunkite į DROSELINĖS SKLENDĖS padėtį. Gali įvykti atbulinis išmetimas arba sugesti variklis.

Kaip važiuoti tiesiogine ar atbuline eiga (1 pav.)

1. Jeigu norite pakeisti važiavimo greitį pirmiausia atleiskite **šlapiosios frikcinės sankabos pavaros svirtį (1)**, o tada **pavarų perjungimo svirtį (6)** perjunkite į norimo greičio padėtį.
2. Važiavimo greitį lemia sniego būklė. Greitį galite pasirinkti pastumdami **pavarų perjungimo svirties (6)** iki atitinkamos įrastos perjungimo svirties plokštelėje.

1, 2 greitis	Šlapias, sunkus
3 greitis	Purus
4 greitis	Labai purus
5, 6 greitis	Tik stumiant valytuvą
3. Jeigu norite važiuoti pirmyn, įjunkite **šlapiosios frikcinės sankabos pavaros svirtį (1)**. Kai sniego valytuvą ima judėti pirmyn, tvirtai laikykite rankena. Sniego valytuvą nukreipkite reikiama linkme sukdam rankeną į kairę arba dešinę. Sniego valytuvo nestumkite.
4. Jeigu norite važiuoti atgal, atleiskite **šlapiosios frikcinės sankabos pavaros svirtį (1)**.

5. **Pavarų perjungimo svirtį (6)** perjunkite į pirmąją arba antrąją atbulinę pavarą.
6. Įjunkite **šlapiosios frikcinės sankabos pavaros svirtį (1)**.

SVARBU: Jei įjungta šlapiosios frikcinės sankabos pavaros svirtis (1), pavarų perjungimo svirties (6) nejudinkite.

Kaip išmesti sniegą (1 pav.)

1. Įjunkite **sraigto pavaros svirtį (5)**.
2. Jeigu norite, kad valytuvą nebemestų sniego, atleiskite **sraigto pavaros svirtį (5)**.



ĮSPĖJIMAS: Dirbant su bet koku sniego valytuvu į akis gali patekti svetimkūnių ir smarkiai sužaloti jas. Dirbdami su sniego valytuvu užsidėkite apsauginius akinius arba akis apsaugančius skydelius. Patariame dirbti su standartiniais apsauginiais akiniais arba ant akinių užsidėti apsauginę kaukę su plačiu regėjimo kampu.

Kaip naudoti šildomasias rankenas (5 pav.)



ĮSPĖJIMAS: Šildomosios rankenos skirtos naudoti esant emesniai nei 0°C (32°F) temperatūrai. Nejunkite elektrinių rankenų, jeigu temperatūra viršija 0°C (32°F).

Naudokite šildomasias rankenas rankoms šildyti temperatūrai nukritus emiau 0°C (32°F). Pastumkite **šildomųjų rankenų jungiklį (20)** á ON (Įjungimo) padėtį. Rankenos sušils per porą minučių. Rekomenduojame dėvėti pirštines, nes šildomosios rankenos gali labai ákaisti. Jeigu pajustumėte, kad rankenos per daug ášilo, išjunkite jas.

Prieš paleisdami variklį

1. Prieš atlikdami variklio priežiūros darbus ar jį paleisdami susipažinkite su sniego valytuvo sandara. Pasitikrinkite, ar suprantate visų valdymo prietaisų paskirtį ir žinote, kur jie yra.
2. Prieš paleisdami variklį patikrinkite sankabos kabelio įtempį. Žr. pastraipą „Kaip sureguliuoti sankabos kabelį“ šio vadovo skyriuje „Techninė priežiūra“.
3. Patikrinkite, ar visi tvirtikliai tinkamai užveržti.
4. Patikrinkite, ar tinkamai sureguliuotos aukščio reguliavimo pavažėlės. Žr. pastraipą „Kaip sureguliuoti pavažėlių aukštį“ šio vadovo skyriuje „Techninė priežiūra“.
5. Patikrinkite oro slėgį padangose. Tinkamas oro slėgis yra nuo 1 baro (14 psi) iki 1,25 baro (17 psi). Neviršykite didžiausio oro slėgio, nurodyto ant padangos šono.

Kaip išjungti variklį (1 pav.)

1. Modelių su **droselio valdymo svirtimi (13)** variklį išjunkite pirmiausia **droselio valdymo svirtį (13)** perjungę į LĒTOS EIGOS padėtį, o paskui - į SUSTABDYMO padėtį.
2. Modelių su **uždegimo jungikliu (13)** variklį išjunkite **uždegimo jungiklį (13)** perjungę į IŠJUNGIMO padėtį.
3. Ištraukite **apsauginį raktą (8)**. Uždegimo raktelį (8) laikykite saugioje vietoje. Be **uždegimo raktelio (8)** variklis neužsiveda.

ATSARGIAI: jei reikia išjungti variklį, droselinės sklendės valdiklio neperjunkite į DROSELINĖS SKLENDĖS padėtį. Gali įvykti atbulinis išmetimas arba sugesti variklis.

Kaip užvesti variklį (1 pav.)

Modeliams su elektriniu paleidikliu

PASTABA: Varikliuose su rankiniu paleidikliu galima papildomai įmontuoti elektrinio paleidiklio bloką. Elektrinio paleidiklio bloką galite įsigyti artimiausiam įgaliotame techninės priežiūros centre.



ĮSPĖJIMAS: Paleidiklis turi trigyslį elektros laidą ir kištuką, jis pritaikytas nuolatinei 220 voltų srovei, vartojamai buityje. Elektros laidas visą laiką turi būti tinkamai įžemintas, kad operatorius nepatirtų elektros smūgio. Griežtai laikykitės visų nurodymų, pateiktų skyriuje „Kaip užvesti variklį“. Patikrinkite, ar jūsų namuose įrengta trilaidė sistema su žeminiu. Jei kyla abejonių, kreipkitės į kvalifikuotą elektriką. Jeigu jūsų namuose ne trilaidė įžeminta sistema, šio elektrinio paleidiklio nenaudokite. Jeigu sistema įžeminta, tačiau nėra trikontakčio lizdo varikliui užvesti, kreipkitės į kvalifikuotą elektriką, kad įtaisytų trikontaktį įžemintą lizdą. Norėdami prijungti 220 voltų nuolatinės srovės laidą, jį pirmiausia prijunkite prie variklio skirstomosios dėžės (11). Paskui kitą galą įkiškite į trikontaktį įžemintą lizdą. Atjungdami elektros laidą jį pirmiausia ištraukite jį iš trikontakčio įžeminto lizdo.

Kaip užvesti šaltą variklį (1 pav.)

1. Patikrinkite variklio alyvos lygį.
2. Į degalų baką įpilkite įprasto bešvinio benzino. Žr. skyrių „Kaip paruošti variklį“.
3. Patikrinkite, ar **šlapiosios frikcinės sankabos pavaros svirtis (1)** ir **sraigto pavaros svirtis (5)** išjungtos (atleistos).
4. Modelių su **droselio valdymo svirtimi (13)** variklį užveskite **droselio valdymo svirtį (13)** perjungę į GREITOS EIGOS padėtį. Variklis turi veikti, kai nustatyta GREITOS EIGOS **droselio valdymo svirties (13)** padėtis.
5. Modelių su **uždegimo jungikliu (13)** variklį užveskite **uždegimo jungiklį (13)** perjungę į IŠJUNGIMO padėtį.
6. **Apsauginį raktą (8)** įkiškite į variklio rakto spynelę. **Apsauginį raktą (8)** būtinai įkiškite iki galo. **Uždegimo raktelio (8)** nesukite.
7. **Oro sklendės reguliatorių (14)** pastumkite į visiško užsklendimo padėtį.
8. **(Elektrinis paleidimas)** Elektros laidą prijunkite prie skirstomosios dėžės (11), esančios variklyje.
9. **(Elektrinis paleidimas)** Kitą elektros laido galą įkiškite į trikontaktį įžemintą 220 voltų nuolatinės srovės lizdą. (Žr. ĮSPĖJIMĄ šiame skyriuje).
10. Paspauskite **degalų purkštuko mygtuką (9)**. Kaskart paspaudę **degalų purkštuko mygtuką (9)** palaukite dvi sekundes. Kiek kartų reikia spausti **degalų purkštuką (9)**, nurodyta variklio gamintojo instrukcijoje.
11. **(Elektrinis paleidimas) Elektrinio paleidimo mygtuką (10)** spauskite tol, kol variklis užsives. Tai turi trukti ne ilgiau kaip 5 sekundes. Tarp paleidimo operacijų palaukite vieną minutę, kad paleidiklis atvėstų.

12. **(Rankinis paleidimas)** Lėtai traukite **rankinio paleidiklio rankeną (12)**, kol pajusite pasipriešinimą, tada patraukite staigiai ir užveskite variklį. Žiūrėkite, kad **rankinio paleidiklio rankena (12)** neatšoktų. **Rankinio paleidiklio rankeną (12)** lėtai atleiskite.
13. Jeigu variklis neužsiveda pabandykite 5–6 kartus, žr. nurodymus lentelėje „Gedimų nustatymas ir šalinimas“.
14. Variklis turi keletą minučių kaisti. Kai variklis įkais, **droselinės sklendės rankenėlę (14)** pastumkite VEIKIMO padėties link. Prieš keisdami droselinės sklendės padėtį kaskart palaukite, kol variklis pradės veikti tolygiai.
15. **(Elektrinis paleidimas)** Pirmiausia iš trikontakčio lizdo ištraukite elektros kabelį. Paskui elektros kabelį atjunkite nuo **skirstomosios dėžės (11)**.
PASTABA: Jeigu temperatūra žemesnė negu -18°C (0°F), iš pradžių variklį kelias minutes pašildykite ir tik paskui pradėkite valyti sniegą.
16. Valytuvui išmetant sniegą variklis visada turi veikti su **droselinės sklendės reguliatoriumi (13)** (jeigu yra) greitojoje padėtyje.



ĮSPĖJIMAS: Niekada nepaleiskite variklio patalpose ar uždaroje, blogai vėdinamoje vietoje. Variklio išmetamosiose dujose yra anglies monoksido – bekvapių mirtinų dujų. Žiūrėkite, kad rankos, kojos, plaukai ir laisvi drabužiai neprisiliestų prie variklio ar sniego valytuvo judamųjų dalių. Duslintuvo ir kitų aplink jį esančių dalių temperatūra gali būti didesnė negu 66°C (150°F). Neprisilieskite prie tų vietų.

Kaip užvesti šiltą variklį (1 pav.)

Jeigu variklis buvo įjungtas ir tebėra šiltas, **oro sklendės reguliatorių (14)** palikite išjungimo padėtyje ir nespauskite **degalų purkštuko mygtuko (9)**. Jei variklis neužsiveda, skaitykite nurodymus skyriuje „Kaip užvesti šaltą variklį“.

PASTABA: Nesinaudokite degalų purkštuko mygtuku (9) šiltam varikliui užvesti.

Kaip užvesti variklį, jeigu užšalo elektrinis paleidiklis (1 pav.)

Jei elektrinis paleidiklis užšalo ir nepaleidžia variklio, laikykitės toliau pateikiamų nurodymų.

1. Iš paleidiklio ištraukite kuo daugiau paleidiklio virvutės.
2. Atleiskite paleidiklio rankeną, kad ji atšoktų paleidiklio link. Šį veiksmą kartokite tol, kol variklis užsives.

Šaltu oru įkaičių varikliai sukelia kondensaciją. Kad rankinio paleidiklio ir variklio valdymo prietaisai neužšaltų, kaskart baigę valyti sniegą atlikite toliau aprašytus veiksmus.

1. Kai valytuvus baigs mesti sniegą, palikite jį veikti dar kelias minutes, kad neužšaltų sraigtas/darbo ratas.
2. Išjungę variklį keletą minučių palaukite, kol jis atvės.
3. Labai lėtai traukite paleidiklio virvutę, kol pajusite pasipriešinimą, tada nebetraukite. Palaukite, kol paleidiklio virvutė vėl susivynios. Šį veiksmą pakartokite tris kartus.
4. Kai variklis išjungtas, nuo karbiuratoriaus dangčio, esančio ties valdymo prietaisais ir svirtimis, nušluostykite visą sniegą ir drėgmę. Taip pat keletą kartų pajudinkite droselinės sklendės valdymo įtaisą ir paleidiklio rankenėlę.

Kaip pašalinti sniegą ir šiukšles iš sraigto gaubto



ĮSPĖJIMAS: Šalindami sraigto gaubte įstrigusį sniegą ar šiukšles būtinai laikykitės šių atsargumo priemonių.

(7 pav.) Kai kuriuose modeliuose prie sraigto korpuso viršaus būna pritvirtinta valymo lazda. Su ja iš sraigto korpuso išvalykite sniegą.

1. **(1 pav.)** Atleiskite **sraigto pavaros svirtį (5)**.
2. Išjunkite variklį.

3. Ištraukite (nepasukdami) **uždegimo raktelį (8)**.
4. Atjunkite uždegimo žvakės laidą.
5. Nekiškite rankų į **sraigto gaubtą (4)** ar **išmetimo vamzdį (3)**.
6. **(7 pav.)** Sniegą arba šiukšles pašalinkite su valymo lazda arba lautuvu.

Patarimai dėl sniego išmetimo

1. Kad sniegas būtų išmetamas kuo geriau, valydami jį reguliuokite važiavimo greitį. Giliu, sušalusiu arba šlapiu sniegu važiuokite lėčiau. Jei slysta ratai, sumažinkite važiavimo tiesiogine eiga greitį.
2. Lengviausia valyti ką tik iškritusį sniegą.
ATSARGIAI: neperkraukite mašinos mėgindami valyti sniegą per dideliu greičiu.
3. Norėdami sniegą nuvalyti visiškai švariai, su valytuvu užgriebkite ir nuvalyto ruožo kraštą.
4. Jei įmanoma, išmetimo vamzdį nukreipkite pavėjui.
5. Jeigu sniegą valote normaliomis sąlygomis, pavažėles sureguliuokite taip, kad grandiklio sijelė būtų 3 mm (1/8 colio) aukščiau pavažėlių. Jeigu valote labai suplūktą sniegą, pavažėles pakelkite į viršų, kad grandiklio sijelė liestųsi su žemės paviršiumi.
6. Su mašina negalima rinkti ir išmesti akmenų bei žvyro. Jei valomas paviršius padengtas žvyru ar skalda, pavažėles sureguliuokite taip, kad būtų 32 mm (1–1/4 colio) žemiau grandiklio sijelės. Žr. pastraipą „Kaip sureguliuoti pavažėlių aukštį“ skyriuje „Techninė priežiūra“.
7. Baigę valyti kaskart palikite variklį veikti tuščiąja eiga kelias minutes. Per tą laiką ištirps ant variklio susikaupęs sniegas ir ledas.
8. Baigę naudotis sniego valytuvu jį nuvalykite.
9. Nuo viso sniego valytuvo nuvalykite ledą, sniegą ir purvą. Druską ir kitus chemikalus nuplaukite su vandeniu. Sniego valytuvą sausai nušluostykite.

TECHNINĖS PRIEŽIŪROS GRAFIKAS

VEIKSMAI, KURIUOS TURI ATLIKTI SAVININKAS

RAŠAI APIE TECHNINĘ PRIEŽIŪRĄ (rašykite datas, kada atlikote eilinės techninės priežiūros darbus).	Kaskart prieš naudojantis	Po pirmųjų 2 valandų	Kas 5 valandas	Kas 10 valandų	Kas 25 valandas	Kiekvieną sezoną	Prieš pastatant į laikymo vietą	TECHNINĖS PRIEŽIŪROS DATA
Patikrinti variklio alyvos lygį	√		√			√		
Pakeisti variklio alyvą					√	√		
Patikrinti ir užveržti visus sraigtus bei veržles	√					√		
Patikrinti uždegimo žvakę					√	√		
Sureguliuoti pavaros diržą		√			√	√		
Patikrinti degalus	√							
Išpilti degalus							√	
Patikrinti sraigtų sankabos kabelio sureguliuojimą (Žr. skyrių „Kabelio reguliuojimas“)		√				√		
Patikrinti šlapiosios frikcinės sankabos kabelio sureguliuojimą (Žr. skyrių „Kabelio reguliuojimas“)		√				√		
Ištepti visus šerdeso taškus				√			√	
Ištepti sraigto veleną (Žr. skyrių „Nukerpamojo varžto keitimas“)				√			√	
Ištepti pavaros grandines ir žvaigždutes				√			√	

TECHNINĖ PRIEŽIŪRA

PASTABA: iliustracijos pateiktos 2 puslapyje ir 176–181 puslapiuose.

Kad sniego valytuvus veiktų nepriklaistingai, laikykitės čia pateiktų nurodymų dėl techninės priežiūros. Visa informacija apie variklio techninę priežiūrą pateikta variklio gamintojo instrukcijose. Prieš paleisdami variklį perskaitykite šią knygelę.



ISPĖJIMAS: Sniego valytuvo apžiūros, reguliavimo (išskyrus karbiuratorių) arba taisymo darbus atlikite tik atjungę uždegimo žvakės laidą.

Bendrojo pobūdžio patarimai

Šiam sniego valytuvui suteikta garantija netaikoma dalims, kurias operatorius tyčia naudojo netinkamai arba aplaidžiai. Kad galėtumėte naudotis visais garantijos teikiamais privalumais, operatorius turi prižiūrėti sniego valytuvą griežtai pagal šio vadovo nurodymus.

Kas tam tikrą laiką reikia atlikti kai kuriuos reguliavimo darbus, tada sniego valytuvus veiks nepriklaistingai.

Kaskart pasinaudoję valytuvu

- Patikrinkite, ar nėra atsilaisvusių arba sugadintų dalių.
- Užveržkite visus laisvus tvirtiklius.
- Patikrinkite sraigta ir atlikite būtinus techninės priežiūros darbus.
- Patikrinkite, ar tinkamai veikia valdymo prietaisai.
- Nedelsdami pakeiskite visas sudilusias arba sugadintas dalis.

- Apžiūrėkite visus saugos ir nurodomuosius lipdukus bei etiketes. Jei lipdukų ar etikečių trūksta arba jei jie sunkiai įskaitomi, pakeiskite kitais.

Visus reguliavimo darbus, numatytus šio vadovo skyriuje Techninė priežiūra, būtina atlikti bent kartą per sezoną.

Kai reikia

Šie reguliavimo darbai turėtų būti atliekami daugiau negu vieną kartą per sezoną.

1. Sraigto pavaros diržą sureguliuokite po pirmųjų 2–4 naudojimo valandų, paskui – įpusėjus sezonui, dar vėliau – du kartus per kiekvieną sezoną. Žr. pastraipą „Kaip sureguliuoti sraigto pavaros diržą“ skyriuje Techninė priežiūra.

Tepimas

Kas 10 valandų (14 pav.)

1. Į tepimo vožtuvus (1) kas dešimt valandų įleiskite tepalo su tepamuoju švirkštu.
2. Kaskart pakeitę nukerpamąjį varžtą iššepkite ir sraigto veleną.
3. Iššepkite visus šerdeso taškus.

Kas 25 valandas

Grandinės

1. (1 pav.) Pavarų perjungimo svirtį (6) perjunkite į pirmąją pavarą.
2. Iš degalų bako išpilkite degalus. Sniego valytuvą pastatykite stačią ant sraigto gaubto (4) priekinio galo.



ISPĖJIMAS: Degalus išpilkite lauke, stovėdami atokiau nuo ugnies ar liepsnos.

3. (22 pav.) Atsukite varžtus (3), esančius abiejuose dugno plokštės (2) šonuose.
4. Nuimkite dugno plokštę (2).
5. (15 pav.) Grandines (5) tepkite grandinėms skirtu tepalu.
6. Šešiabriaunį veleną ir žvaigždutes (6) nuvalykite su 5W30 markės varikline alyva.

PASTABA: Jeigu tepalo ar alyvos pateks ant diskinės pavaros plokštės (1) arba frikcinio rato (3), įrangą gali sugesti. Alyvą ar tepalą nušluostykite spiritiniu skiedikliu.

7. (22 pav.) Uždėkite dugno plokštę (2).
8. Užveržkite varžtus (3) abiejuose dugno plokštės (2) šonuose.

Netepamos dalys (15 pav.)

1. Netepkite šešiabriaunio veleno ir žvaigždučių (6). Visi guoliai ir įvorės iššepinti visam naudojimo laikui. Jei ketinate pastatyti valytuvą į laikymo vietą, iš pradžių audeklo gabalėlį suvilgykite 5W-30 markės varikline alyva ir nušluostykite šešiabriaunį veleną ir žvaigždutes (6), kad nerūdytų.
2. Jeigu tepalo ar alyvos pateks ant diskinės pavaros plokštės (1) arba frikcinio rato (3), frikcinis ratas (3) gali sugesti. Diskinės pavaros plokštę (1) ir frikcinį ratą (3) kruopščiai nuvalykite.

ATSARGIAI: Ant šių dalių patekęs tepalas ar alyva gali užteršti frikcinį ratą (3). Jeigu diskinė pavaros plokštė (1) arba frikcinis ratas (3) bus užteršti tepalu ar alyva, frikcinis ratas suges.

- Sraigto pavarų dėžė ištepama gamykloje, papildomai jos tepti nereikia. Jei dėl kokios nors priežasties išteka tepimo alyvos, sraigto pavarų dėžę reikia patikrinti gamyklos įgaliotame techninės priežiūros centre.

Kaip sureguliuoti pavazėlių aukštį (1 pav.)

Šiame sniego valytuve įtaisytos dvi aukščio reguliavimo pavazėlės (7). Pavazėlės pakelia sniego valytuvo priekį. Jeigu valote sniegą nuo įprastų kietų paviršių, pvz., nuo grįsto įvažiavimo keliuko arba tako, pavazėles sureguliuokite taip.

- Sniego valytuvą pastatykite ant lygaus paviršiaus.
- Patikrinkite, ar abi padangos pripūstos vienodai. Tinkamas oro slėgis yra nuo 1 baro (14 psi) iki 1,25 baro (17 psi). Neviršykite didžiausio oro slėgio, nurodyto ant padangos šono.
- Papildomus nukerpamuosius varžtus (juos rasite maišelyje su dalimis) įsukite po abiem grandiklio sijelės (15) galais, šalia reguliuojamų pavazėlių (7).
- Atsukite tvirtinimo veržles (16), kurios laiko reguliuojamas pavazėles (7). Jeigu norite nuleisti sniego valytuvo priekį, pakelkite abi reguliuojamas pavazėles (7). Užveržkite tvirtinimo veržles (16).

PASTABA: Jeigu valote sniegą nuo akmenuotų ar nelygių paviršių, nuleiskite reguliuojamas pavazėles (7) ir pakelkite sniego valytuvo priekį.



ĮSPĖJIMAS: Tinkamą prošvaisą nustatykite atsizvelgdami į valomą paviršių. Į darbo ratą įstrigę daiktai, pvz., žvyras, akmenys ar kitokios šiukšlės, gali būti išmesti su didele jėga ir sužeisti žmones, sugadinti turtą ar patį sniego valytuvą.

Kaip sureguliuoti grandiklio sijelę (1 pav.)

Valytuvą naudojant ilgą laiką grandiklio sijelė (15) susidėvi. Grandiklio sijelę (15) ir pavazėles reikia sureguliuoti, kad tarp grandiklio sijelės (15) ir šaligatvio ar valomo paviršiaus liktų 3 mm (1/8 colio) tarpas.

- Sniego valytuvą pastatykite ant lygaus paviršiaus.
- Patikrinkite, ar abi padangos pripūstos vienodai. Tinkamas oro slėgis yra nuo 1 baro (14 psi) iki 1,25 baro (17 psi). Neviršykite didžiausio oro slėgio, nurodyto ant padangos šono.
- Atsukite varžtus ir veržles, su kuriais grandiklio sijelė (15) pritvirtinta prie sraigto korpuso (4).
- Grandiklio sijelę (15) sureguliuokite taip, kad tarp grandiklio sijelės (15) ir šaligatvio ar valomo paviršiaus liktų 3 mm (1/8 colio) tarpas.
- Užveržkite varžtus ir veržles. Patikrinkite, ar grandiklio sijelė (15) lygiagrečiai šaligatviui arba valomam paviršiui.
- Jei norite grandiklio sijelę (15) naudotis ilgiau, grandiklio sijelę (15) nuimkite ir apsukite.

Kaip patikrinti ir sureguliuoti kabelius

Šlapiosios frikcinės sankabos pavaros kabelis ir sraigto pavaros kabelis būna sureguliuoti gamykloje. Naudojantis sniego valytuvu normaliomis sąlygomis kabelis gali išstįsti, todėl jį reikia patikrinti ir sureguliuoti. Darykite taip, kaip paaikšinta toliau.

Kaip patikrinti kabelius (16 pav.)

- Jeigu norite patikrinti, ar kabeliai sureguliuoti tinkamai, Z pavidalo tvirtiklį (1) atkabinkite nuo pavaros svirties (2).
- Pavaros svirtį (2) pastumkite pirmyn tiek, kad pavaros svirtis (2) liestųsi su plastikiniu buferiu (3).
- Valdymo kabelis sureguliuotas tinkamai, jeigu Z pavidalo laikiklio (1) centras sutapdintas (4) su anga pavaros svirtyje (2) ir kabelis neiįlinkęs.

Kaip sureguliuoti sraigto pavaros kabelį

- Iš degalų bako išpilkite degalus. Sniego valytuvą pastatykite stačią ant sraigto gaubto priekinio galo.



ĮSPĖJIMAS: Degalus išpilkite lauke, stovėdami atokiau nuo ugnies ar liepsnos.

- (16 pav.) Z pavidalo laikiklį (1) atkabinkite nuo pavaros svirties (2).
- (17 pav.) Patraukite į viršų spyruoklės dangtelį, kad būtų matyti spyruoklė (5). Kabelį (6) perkiškite per spyruoklę (5), kad būtų matyti kvadratinis kabelio (6) galas (7).
- Kvadratinį galą (7) laikykite replėmis ir sureguliuokite fiksavimo veržlę (8), kad nebūtų nereikalingo įlinkio.
- Kabelį (6) vėl ištraukite per spyruoklę (5).
- (16 pav.) Z pavidalo laikiklį (1) prikabinkite prie pavaros svirties (2).

PASTABA: Sureguliuavę ar pakeitę sraigto pavaros diržą patikrinkite ir sureguliuokite kabelį.

Kaip sureguliuoti šlapiosios frikcinės sankabos pavaros kabelį

- Iš degalų bako išpilkite degalus. Sniego valytuvą pastatykite stačią ant sraigto gaubto priekinio galo.



ĮSPĖJIMAS: Degalus išpilkite lauke, stovėdami atokiau nuo ugnies ar liepsnos.

- (22 pav.) Atsukite varžtus (3), esančius abiejuose dugno plokštės (2) šonuose.
- Nuimkite dugno plokštę (2).
- (16 pav.) Z pavidalo laikiklį (1) atkabinkite nuo šlapiosios frikcinės sankabos pavaros svirties (2).
- (27 pav.) Apsauginį kabelio gaubtelį (3) nutraukite nuo kabelio reguliavimo apkabos (4).
- Šlapiosios frikcinės sankabos valdymo kabelio (5) apatinį galą perkiškite per kabelio reguliavimo apkabą (4) tiek, kad būtų galima atkabinti Z pavidalo laikiklį (6).
- Z pavidalo laikiklį (6) atkabinkite nuo kabelio reguliavimo apkabos (4). Z pavidalo laikiklį (6) pastumkite apačion iki kitos reguliavimo angos.
- Šlapiosios frikcinės sankabos valdymo kabelį (5) patraukite aukštyn per kabelio reguliavimo apkabą (4).

- Apsauginį kabelio gaubtelį (3) perkiškite per kabelio reguliavimo apkabą (4).

- (16 pav.) Z tvirtiklį (1) prikabinkite prie šlapiosios frikcinės sankabos pavaros svirties (2).

- (15 pav.) Jeigu norite patikrinti sureguliuavimą, paspauskite pavaros svirtį ir patikrinkite pavaros spyruoklės ilgį A. Jeigu kabelis sureguliuotas tinkamai, pavaros svyrųoklės (7) ilgis A yra toks: ne mažiau kaip 76 mm (3 colių) ne daugiau kaip 85 mm (3-3/8 colio).

- (22 pav.) Uždėkite dugno plokštę (2).

- Užveržkite varžtus (3) abiejuose dugno plokštės (2) šonuose.

Kaip sureguliuoti diržus

Naudojantis valytuvu normaliomis sąlygomis diržai išsitempia. Jeigu diržus reikia reguliuoti dėl to, kad sudilo arba išsitempė, atlikite žemiau aprašytus veiksmus.

Kaip sureguliuoti sraigto pavaros diržą

Jei sniego valytuvą neišmeta sniego, patikrinkite, ar sureguliuotas sraigto pavaros kabelis. Žr. pastraipą „Kaip patikrinti ir sureguliuoti kabelius“ skyriuje „Techninė priežiūra“. Jeigu kabelis sureguliuotas tinkamai, patikrinkite sraigto pavaros diržo būklę. Jeigu sraigto pavaros diržas sugadintas, jį pakeiskite. Žr. pastraipą „Kaip pakeisti diržus“ skyriuje „Techninė priežiūra“. Jeigu sraigto pavaros diržas laisvas, jį sureguliuokite taip.

- Atjunkite uždegimo žvakės laidą.
- (18 pav.) Išsukite sraigto (2) iš diržo gaubto (1). Nuimkite diržo gaubtą (1).
- (19 pav.) Atsukite veržlę (2), esančią ant įtempimo skriemulio (3). Įtempimo skriemulį (3) pastumkite 3 mm (1/8 colio) sraigto pavaros diržo (4) link.
- Priveržkite veržlę (2).
- (21 pav.) Paspauskite sraigto pavaros svirtį. Patikrinkite sraigto pavaros diržo (4) įtempį. Jeigu diržas įtemptas tinkamai, sraigto pavaros diržas (4) ilinks 12,5 mm (1/2 colio) (5) spaudžiamas vidutine jėga. Jei diržas sureguliuotas netinkamai, pakartokite reguliavimo veiksmus.
- (18 pav.) Uždėkite diržo gaubtą (1). Užveržkite sraigto (2).
- Patikrinkite, ar tinkamai sureguliuotas sraigto pavaros kabelis. Žr. pastraipą „Kaip patikrinti ir sureguliuoti kabelius“ skyriuje Techninė priežiūra.
- Prijunkite uždegimo žvakės laidą.

Šlapiosios frikcinės sankabos pavaros diržas

Šlapiosios frikcinės sankabos pavaros diržo įtempis nuolatos reguliuojamas spyruoklės slėgiu, todėl jo reguliuoti nereikia. Jei šlapiosios frikcinės sankabos pavaros diržas slysta, jį pakeiskite. Žr. pastraipą „Kaip pakeisti diržus“ skyriuje Techninė priežiūra.

Kaip pakeisti diržus

Pavarų diržai yra specialios konstrukcijos, juos būtina keisti originaliais atsarginiais diržais, kurių galite įsigyti artimiausiame įgaliotame techninės priežiūros centre.

Atliekant kai kuriuos veiksmus gali reikėti pagalbininko.

Kaip nuimti sraigto pavaros diržą

Jei sraigto pavaros diržas sugadintas, sniego valytuvus neišmes sniego. Sugedusį diržą pakeiskite taip:

1. Atjunkite uždegimo žvakės laidą.
2. **(22 pav.)** Išsukite **varžtus (1)** abiejose dugno **plokštės (2)** šonuose.
3. Atsukite **varžtus (3)**, esančius abiejuose **dugno plokštės (2)** šonuose.
4. Nuimkite **dugno plokštę (2)**.
5. **(18 pav.)** Išsukite **sraigta (2)** iš **diržo gaubto (1)**. Nuimkite **diržo gaubtą (1)**.
6. **(19 pav.)** Atsukite **diržo kreipiklį (9)**. **Diržo kreipiklį (9)** nutraukite nuo **sraigto pavaros skriemulio (10)**.
7. **Įtempimo skriemulį (3)** patraukite toliau nuo **sraigto pavaros diržo (4)** ir **sraigto pavaros diržą (4)** nutraukite nuo **įtempimo skriemulio (3)**.
8. **Sraigto pavaros diržą (4)** nuimkite nuo **variklio skriemulio (11)**. Norint nuimti **sraigto pavaros diržą (4)**, **variklio skriemulį (11)** gali tekti iš dalies pasukti.
9. **(20 pav.)** Išsukite keturis viršutinius **varžtus (21)**, kurie laiko sujungę **sraigto gaubtą (22)** ir **variklio dėžę (23)**. Atsukite abu apatinius **varžtus (24)**. Dabar galima atsukti **sraigto gaubtą (22)** ir **variklio dėžę (23)** ir nuimti diržą.
10. **(19 pav.)** Nuimkite seną **sraigto pavaros diržą (4)** nuo **sraigto pavaros skriemulio (10)**. **Sraigto pavaros diržą (4)** pakeiskite originaliu atsarginiu diržu, kurį galite įsigyti įgaliotame techninės priežiūros centre.
11. Ant **sraigto pavaros skriemulio (10)** uždėkite naują **sraigto pavaros diržą (4)**. **PASTABA:** Jei **sraigto gaubtą (22)** norite pritaisyti prie **variklio dėžės (23)**, ką nors **paprašykite palaikyti sraigto sankabos svirtį ĮJUNGTOJE padėtyje**. Tuomet **įtempimo svertas ir skriemulys (3)** pasislinks tiek, kad **sraigto pavaros skriemulį (10)** būtų galima pastumti atgal į jo vietą.
12. **Sraigto gaubtą (22)** sujunkite su **variklio dėže (23)** keturiais **varžtais (21)**, išsuktais atliekant 9. veiksmą. Užveržkite du apatinius **varžtus (24)**.
13. **Sraigto pavaros diržą (4)** uždėkite ant **variklio skriemulio (11)**.
14. **Sraigto pavaros diržą (4)** pakiškite po **įtempimo skriemuliu (3)**.
15. Sureguliuokite **sraigto pavaros diržą (4)**. Žr. pastraipą „Kaip sureguliuoti sraigto pavaros diržą“ skyriuje Techninė priežiūra.
16. Sureguliuokite **diržo kreipiklį (9)**. Žr. pastraipą „Kaip sureguliuoti diržo kreipiklį“ skyriuje Techninė priežiūra.
17. **(18 pav.)** Uždėkite **diržo gaubtą (1)**. Užveržkite **sraigta (2)**.
18. **(22 pav.)** Uždėkite **dugno plokštę (2)**.
19. Užveržkite **varžtus (1)** abiejuose **dugno plokštės (2)** šonuose.
20. Užveržkite **varžtus (1)** ir **(3)** abiejuose **dugno plokštės (2)** šonuose.
21. Patikrinkite, ar tinkamai sureguliuoti kabeliai. Žr. pastraipą „Kaip patikrinti ir sureguliuoti kabelius“ skyriuje Techninė priežiūra.
22. Prijunkite uždegimo žvakės laidą.

Kaip nuimti šlapiosios frikcinės sankabos pavaros diržą

Jeigu sniego valytuvus nevažiuoja į priekį, patikrinkite šlapiosios frikcinės sankabos pavaros diržą, ar jis nesudilęs arba nesugedęs. Jei šlapiosios frikcinės sankabos pavaros diržas sudilęs ar sugedęs, jį pakeiskite.

1. Atjunkite uždegimo žvakės laidą.
 2. Nuimkite sraigto pavaros diržą. Žr. pastraipą „Kaip nuimti sraigto pavaros diržą“ skyriuje Techninė priežiūra.
 3. **(19 pav.)** Nuo vieno **įstrižojo disko ašies strypo (18)** galo nuimkite **žiedą (17)**. Ištraukite **įstrižojo disko ašies strypą (18)**, kad **įstrižasis diskas** galėtų pakrypti į priekį.
 4. Išimkite **šlapiosios frikcinės sankabos pavaros spyruoklę (16)**.
 5. Nuo **šlapiosios frikcinės sankabos pavaros skriemulio (14)** ir **variklio skriemulio (15)** nuimkite seną **šlapiosios frikcinės sankabos pavaros diržą (13)**. **Šlapiosios frikcinės sankabos pavaros diržą (13)** pakeiskite originaliu atsarginiu diržu, kurį galite įsigyti įgaliotame techninės priežiūros centre.
 6. Ant **šlapiosios frikcinės sankabos pavaros skriemulio (14)** ir **variklio skriemulio (15)** uždėkite naują **šlapiosios frikcinės sankabos pavaros diržą (13)**.
 7. Patikrinkite, ar **šlapiosios frikcinės sankabos pavaros įtempimo skriemulys (12)** tinkamai sutapdintas su **šlapiosios frikcinės sankabos pavaros diržu (13)**.
 8. Įstatykite **šlapiosios frikcinės sankabos pavaros spyruoklę (16)**.
 9. Įkiškite **įstrižojo disko ašies strypą (18)** ir įtvirtinkite jį su anksčiau nuimtužiedu **(17)**.
 10. **(32 pav.)** **Įstrižojo disko (20)** apačia turi būti įtaikyta tarp **sutapdinimo liežuvėlių (19)**. Patikrinkite, ar **įstrižasis diskas (20)** tinkamai įtvirtintas.
- PASTABA:** Jeigu pakeitus **šlapiosios frikcinės sankabos pavaros diržą pavara neįsijungia, patikrinkite, ar įstrižasis diskas įstatytas tarp sutapdinimo liežuvėlių (19)**.
11. **(19 pav.)** Uždėkite ir sureguliuokite **sraigto pavaros diržą (4)**. Žr. pastraipą „Kaip nuimti sraigto pavaros diržą“ skyriuje Techninė priežiūra.
 12. Sureguliuokite **diržo kreipiklį (9)**. Žr. pastraipą „Kaip sureguliuoti diržo kreipiklį“ skyriuje Techninė priežiūra.
 13. **(22 pav.)** Uždėkite **dugno plokštę (2)**.
 14. Užveržkite **varžtus (3)** abiejuose **dugno plokštės (2)** šonuose.
 15. **(18 pav.)** Uždėkite **diržo gaubtą (1)**. Užveržkite **sraigta (2)**.
 16. Patikrinkite, ar tinkamai sureguliuoti kabeliai. Žr. pastraipą „Kaip patikrinti ir sureguliuoti kabelius“ skyriuje Techninė priežiūra.
 17. Prijunkite uždegimo žvakės laidą.

Kaip sureguliuoti diržo kreipiklį

1. Atjunkite uždegimo žvakės laidą.
2. **(18 pav.)** Išsukite **sraigta (2)**. Nuimkite **diržo gaubtą (1)**.
3. **(1 pav.)** Įjunkite **sraigto pavaros svirtį (5)**.
4. **(23 pav.)** Išmatuokite atstumą tarp **diržo kreipiklio (2)** ir **sraigto pavaros diržo (3)**. **Tinkamas atstumas (4)** yra 3 mm (1/8 colio).

5. Jeigu reikia sureguliuoti, atsukite **diržo kreipiklio (2)** varžtą. **Diržo kreipiklį (2)** pastumkite į **tinkamą padėtį (4)**. Užveržkite **diržo kreipiklio (2)** tvirtinimo varžtą.
6. **(18 pav.)** Uždėkite **diržo gaubtą (1)**. Užveržkite **sraigta (2)**.
7. Prijunkite uždegimo žvakės laidą.

Kaip sureguliuoti arba pakeisti frikcinį ratą

Kaip patikrinti frikcinį ratą

Jei sniego valytuvus nevažiuoja į priekį, patikrinkite šlapiosios frikcinės sankabos pavaros diržą, pavaros kabelį arba frikcinį ratą. Jei frikcinis ratas sudilęs ar sugedęs, jį reikia pakeisti. Žr. šio skyriaus pastraipą „Kaip pakeisti frikcinį ratą“. Jei frikcinis ratas nesudilęs ir nesugedęs, tikrinkite taip.

1. **(1 pav.)** Iš degalų bako išpilkite degalus. Sniego valytuvą pastatykite stačią ant **sraigto gaubto (4)** priekinio galo.



ĮSPĖJIMAS: Degalus išpilkite lauke, stovėdami atokiau nuo ugnies ar liepsnos.

2. Atjunkite uždegimo žvakės laidą.
3. **(22 pav.)** Išsukite **varžtus (1)** abiejuose dugno **plokštės (2)** šonuose.
4. Atsukite **varžtus (3)**, esančius abiejuose **dugno plokštės (2)** šonuose.
5. Nuimkite **dugno plokštę (2)**.
6. **(1 pav.)** Pavarų perjungimo svirtį **(6)** perjunkite į žemiausią tiesioginę pavarą.
7. **(24 pav.)** Įsidėmėkite **frikcinio rato (4)** padėtį. Tinkamas atstumas **A** nuo dešinėsios **frikcinio rato (4)** pusės iki variklio dėžės išorės yra toks:

Padangos dydis	Atstumas A
12 ir 13 colių	10,5 cm (4-1/8 colio)
16 colių	10,95 cm (4-5/16 colio)

 Jei **frikcinis ratas (4)** netinkamoje padėtyje, jį sureguliuokite.

Kaip sureguliuoti frikcinį ratą

1. **(1 pav.)** Pavarų perjungimo svirtį **(6)** perjunkite į žemiausią tiesioginę pavarą.
2. **(9 pav.)** Atsukite **kontrveržlę (9)** su šešiabriaune galvute, esančią ant **pavarų perjungimo strypo (2)**. Nuo **pavarų perjungimo svirties (7)** nuimkite **rutulinį linkstą (6)**.
3. **(24 pav.)** Frikcinį ratą **(4)** pastumkite į tinkamą padėtį.
4. **(9 pav.)** Adapterį **(10)** sukite tol, kol **rutulinis linkstas (6)** sutaps su tvirtinimo anga, esančia **pavarų perjungimo strype (7)**. Kai šios dalys sutaps, **rutulinį linkstą (6)** sujunkite su **pavarų perjungimo strypu (7)**.
5. **(22 pav.)** Uždėkite **dugno plokštę (2)**.
6. Įsukite **varžtus (1)** abiejuose dugno **plokštės (2)** šonuose.
7. Užveržkite **varžtus (3)** abiejuose **dugno plokštės (2)** šonuose.

Kaip pakeisti frikcinį ratą

Jei frikcinis ratas sudilęs ar sugedęs, sniego valytuvus nevažiuos į priekį. Frikcinį ratą pakeiskite šitaip.



ĮSPĖJIMAS: Netepkite diskinės pavaros plokštės arba frikcinio rato.

1. **(1 pav.)** Iš degalų bako išpilkite degalus. Sniego valytuvą pastatykite stačią ant **sraigto gaubto (4)** priekinio galo.



ĮSPĖJIMAS: Degalus išpilkite lauke, stovėdami atokiau nuo ugnies ar liepsnos.

- Atjunkite uždegimo žvakės laidą.
- (28 pav.) Atsukite varžtus (3), esančius abiejuose dugno plokštės (2) šonuose.
- Atsukite varžtus (3) abiejose dugno plokštės (2) šonuose.
- Nuimkite dugno plokštę (2).
- (29 pav.) Nuimkite užpakalinę atraminę apkabą (18).
- (30 pav.) Su 3/16 colio universaliu veržliarakčiu atsukite tvirtiklius, su kuriais kairioji ašies apkaba (30) tvirtinama prie ašies (34).
- Nuimkite dešinįjį ratą (35), ašį (34), ašies apkabą (30) ir poveržlę (31).
- (28 pav.) Nuo ašies (11) nuimkite kairinį ratą (10).
- (31 pav.) Išsukite tvirtiklius, su kuriais tvirtinama ašies atrama (32). Išimkite ašies atramą (32), įvorę (33).
- Atsukite varžtus (tačiau jų neištraukite), su kuriais ašies guoliai (19) tvirtinami prie variklio dėžės.
- Sankabos / pavaros krumpliaračio mazgą (20) nuimkite nuo ašies (11).
- (32 pav.) Išsukite keturis varžtus (16), kurie laiko guolius (7) abiejuose šešiabriaunio veleno (8) galuose.
- (33 pav.) Ištraukite šešiabriaunį veleną (8) ir nuimkite guolius (7).
PASTABA: Būtinai įsidėmėkite poveržlių (13) padėtį.
- (26 pav.) Išsukite tris tvirtiklius (4), su kuriais frikcinis ratas (5) tvirtinamas prie stebulės (6).
- (26 pav.) Frikcinį ratą (5) nuimkite nuo stebulės (6). Frikcinį ratą (5) nutraukite nuo šešiabriaunio veleno (8).
- Naują frikcinį ratą (5) uždėkite ant stebulės (6) ir pritvirtinkite su anksčiau išsuktais tvirtikliais.
- (33 pav.) Šešiabriaunį veleną (8) ir guolius (7) įtvirtinkite su keturiais anksčiau išsuktais varžtais.
Patikrinkite, ar poveržlės (17) tinkamai įstatytos į ankstesnę vietą. Taip pat patikrinkite, ar abi poveržlės (13) tinkamai sutapdintos su pavaros svirtimis (14).
- Patikrinkite, ar šešiabriaunis velenas (8) sukasi laisvai.
- Kitas dalis sumontuokite atvirkštine tvarka.
- Patikrinkite, ar tinkamai sureguliuotas frikcinis ratas. Žr. šio skyriaus pastraipą „Kaip sureguliuoti frikcinį ratą“.

- Patikrinkite, ar ant frikcinio rato ir pavaros disko nėra tepalo ar alyvos.
- (28 pav.) Uždėkite dugno plokštę (2).
- Užveržkite varžtus (1) abiejuose dugno plokštės (2) šonuose.
- Užveržkite varžtus (1) ir (3) abiejuose dugno plokštės (2) šonuose.
- Prijunkite uždegimo žvakės laidą.

Kaip pakeisti sraigto nukerptomą varžtą

Sraigtai pritvirtinti prie sraigto veleno specialiais nukerptomaisiais varžtais. Šie nukerptomieji varžtai nulūžta ir apsaugo mašiną, jei koks nors daiktas įstringa sraigto gaubte. Nenaudokite tvirtesnių varžtų, nes jie neteikia tokios apsaugos, kokią teikia nukerptomieji varžtai.



ĮSPĖJIMAS: Saugos ir mašinos apsaugos sumetimais naudokite tik originalius nukerptomuosius varžtus.

Jeigu norite pakeisti nulūžusį nukerptomąjį varžtą, darykite taip, kaip aprašyta toliau. Surinkimui skirtų dalių maišelyje yra atsarginių nukerptomųjų varžtų.

- (1 pav.) Droselinės sklendės valdymo svirtį (13) pastumkite į sustabdymo padėtį. Išjunkite visus valdymo prietaisus.
- Atjunkite uždegimo žvakės laidą. Patikrinkite, ar visos judamosios dalys sustojo.
- (14 pav.) Su tepamučiu švirkštu išstipkite sraigto veleno tepimo vožtuvą (1), jeigu jis yra.
- (25 pav.) Sraigte esančią angą sutapdinkite su anga sraigto veleno. Įstatykite naują nukerptomąjį varžtą (2), poveržlę (3) ir fiksavimo veržlę (4).
PASTABA: Jei modelyje sumontuotas 84 cm (33 colių) sraigto korpusas, poveržlės (3) nereikia.
- Prijunkite uždegimo žvakės laidą.

Kaip paruošti sniego valytuvą laikymui



ĮSPĖJIMAS: Benzino iš bako nepilkite patalpoje, netoli ugnies arba rūkydami. Benzino garai gali sukelti sprogamą ar gaisrą.

Jeigu sniego valytuvą bus laikomas ilgesnį laiką, vadovaukitės variklio gamintojo darbo vadovu (pridedamas prie kai kurių modelių), kur pateikiama svarbių techninės priežiūros ir laikymo detalių.

- Iš bako išpilkite degalus.
- Palikite variklį įjungtą, kol ištekės visas benzinai.

- Nelaikykite sniego valytuvo su pripildytu degalų baku patalpoje, kur yra uždegimo šaltinių – karšto vandens kaitintuvų ir patalpų šildytuvų, drabužių džiovintuvų ir pan. Prieš pastatydami mašiną patalpoje palaukite, kol atvės jos variklis.
- Iš šilto variklio išleiskite alyvą. Į variklio karterį įpilkite naujos alyvos.
- Išsukite uždegimo žvakę ir į cilindrą įpilkite maždaug 29,6 ml (1 uncijos) variklinės alyvos. Vėl įsukite uždegimo žvakę ir lėtai sukite veleną, kad alyva pasiskirstytų.
- Sniego valytuvą kruopščiai išvalykite.
- Išstipkite visus tepimo taškus. Žiūrėkite skyrių Techninė priežiūra.
- Patikrinkite, ar visos veržlės, varžtai ir sraigta stipriai užveržti. Apžiūrėkite visas matomas judamasias dalis – ar nesugadintos, neištrūkusios ir nesudilusios. Jeigu reikia, pakeiskite.
- Neuždegtas metalines pūstuvo gaubto, sraigto ir darbo rakto dalis apipurškite antikoroziniu tepalu.
- Valytuvą pastatykite gerai vėdinamoje patalpoje. Laikykite švarioje ir sausoje vietoje, tačiau NELAIKYKITE greta krosnies, židinio ar vandens šildytuvo, kuriame yra uždegimo ar kitoks įtaisas, galintis įskelti kibirkštį.
- Jeigu mašiną tenka laikyti lauke, pastatykite ją taip, kad valytuvai nesiliestų su žeme.
- Sniego valytuvą uždenkite tinkamu apsauginiu uždangalu, kuris iš vidaus nesulaiko drėgmės. Nenaudokite plastiko.

Kaip užsisakyti atsarginių dalių

Atsarginės dalys nurodytos šios Instrukcijų knygelės pabaigoje arba atskirame atsarginių dalių sąraše.

Naudokite tik gamintojo leistas arba patvirtintas keičiamąsias dalis. Su šiuo agregatu nenaudokite jokių įtaisų arba priedų, jeigu jie nėra konkrečiai rekomenduoti. Norėdami įsigyti tinkamų keičiamųjų dalių, privalote pateikti modelio numerį (žr. į vardinę plokštelę).

Norėdami įsigyti keičiamųjų dalių, susisiekite su savo vietos prekybos agentu.

Atsarginių dalių varikliui, varančiam tiltui ar transmisijai galite įsigyti gamintojo įgaliuotose techninės priežiūros centruose, kurių adresai ir telefonų numeriai nurodyti telefonų knygos „geltonuosiuose“ puslapiuose. Jeigu norite užsisakyti atsarginių dalių, dar žiūrėkite variklio arba transmisijos garantinius lapus.

Užsakyme būtina nurodyti tokią informaciją:

- (1) modelio numerį
- (2) serijos numerį
- (3) dalies numerį
- (4) kiekį

GEDIMŲ NUSTATYMO IR ŠALINIMO LENTELE

GEDIMAS	PRIEŽASTIS	ŠALINIMO BŪDAS
Valytuvą sunku užvesti	Sugedusi uždegimo žvakė.	Pakeiskite uždegimo žvakę.
	Vanduo arba nešvarumai degalų sistemoje.	Per karbiuratoriaus išpylimo angą išleiskite degalus ir įpilkite naujų.
Variklis veikia su pertrūkiais	Užsikimšusi degalų tiekimo sistema, tuščias degalų bakas ar nugaravęs benzinas.	Išvalykite degalų tiekimo sistemą; patikrinkite degalų kiekį; įpilkite šviežio benzino.
Variklis gęsta	Valytuvo ORO SKLENDĖ uždaryta.	Oro sklendę perjunkite į VEIKIMO padėtį.
Variklis veikia su pertrūkiais; Mažėja galia	Vanduo arba nešvarumai degalų sistemoje.	Per karbiuratoriaus išpylimo angą išleiskite degalus ir įpilkite naujų.
Per didelė vibracija	Atsilaisvinusios dalys: sugedęs darbo ratas.	Nedelsdami išjunkite variklį ir atjunkite uždegimo žvakės laidą. Užveržkite visus varžtus ir atlikite visus reikiamus taisymo darbus. Jei vibracija neišnyko, atiduokite valytuvą taisyti kvalifikuotam specialistui.
Valytuvus nevažiuoja	Pavaros diržas laisvas ar sugedęs.	Pakeiskite pavaros diržą.
	Netaisyklingai sureguliuotas šlapiosios frikcinės pavaros kabelis.	Sureguliuokite šlapiosios frikcinės pavaros kabelį.
	Sudilęs ar sugedęs frikcinis ratas.	Pakeiskite frikcinį ratą.
Valytuvus neišmeta sniego	Sraigto pavaros diržas laisvas ar sugedęs.	Sureguliuokite sraigto pavaros diržą; sugedusį diržą pakeiskite.
	Netaisyklingai sureguliuotas sraigto valdymo kabelis.	Sureguliuokite sraigto valdymo kabelį.
	Nulūžęs nukerpamasis varžtas.	Pakeiskite nukerpamąjį varžtą.
	Užsikimšęs išmetimo vamzdis.	Nedelsdami išjunkite variklį ir atjunkite uždegimo žvakės laidą. Išvalykite išmetimo vamzdį ir sraigto gaubto vidų.
	Sraigte įstrigęs pašalinis daiktas.	Nedelsdami išjunkite variklį ir atjunkite uždegimo žvakės laidą. Iš sraigto ištraukite pašalinį daiktą.

TARTALOM

VESZÉLYJELZŐ SZIMBÓLUMOK ÉS JELENTÉSEIK ...	130
ÜZEMI SZIMBÓLUMOK ÉS JELENTÉSEIK	130
ÖSSZESZERELÉS	135
ÜZEMELTETÉS	135
KARBANTARTÁSI TÁBLÁZAT	138
KARBANTARTÁS	138
HIBAKERESÉSI TÁBLÁZAT	142

Az ábrák (pl. 1. ábra) a jelen kézikönyv elő- és hátlapjának belső oldalán, az alkatrész-lista előtt található.

Általános információk

A jelen kezelési útmutató bizonyos alapvető ismereteket feltételez az olvasótól. A legtöbb szerviz-útmutatóhoz hasonlóan ebben sem szerepel az összes lépés leírása. Némi gépészeti ismerettel bárki képes például meghúzni vagy meglazítani egy kötőelemet. A gép használata előtt tanulmányozza és tartsa be ezen útmutatásokat.

Ismerje meg a terméket: Ha ismeri a gépet és annak működési módját, akkor kihozhatja belőle a legjobb teljesítményt. A kézikönyv olvasása közben az ábrákat hasonlítsa össze a valódi géppel. Ismerje meg a kezelőszervek elhelyezkedését és funkcióit. A balesetek megelőzése érdekében tartsa be a kezelési útmutatásokat és a biztonsági szabályokat. Tartsa meg ezt a kézikönyvet az esetleges jövőbeli használathoz.

FONTOS: Sok gépet összeszerelésen állapottan, dobozban forgalmaznak. A tulajdonos felelőssége a jelen kézikönyv összeszerelési útmutatásainak pontos betartása. Más gépeket összeszerelve forgalmaznak. Az összeszerelt állapotban leszállított gépeknél a tulajdonos felelőssége a helyes összeszerelés ellenőrzése. A tulajdonosnak az első használat előtt gondosan át kell vizsgálnia a gépet a jelen kézikönyv útmutatásai szerint.

Segítségre van szüksége?

Ha a készülék összeszerelésével, működtetésével, vagy szervizelésével kapcsolatos további információra van szüksége, forduljon a helyi márkakereskedőhöz.



A jelen kézikönyv biztonsági információkat tartalmaz, amelyek felhívják az Ön figyelmét a hómarókkal összefüggő veszélyekre és azok elkerülésére. A hómarót hó eltávolítására tervezték. Más célra nem szabad használni. Fontos, hogy Ön és bárki, aki a berendezést üzemelteti, elolvassa és értelmezze ezeket az információkat.

VIGYÁZAT

A motor kipufogógázai olyan vegyi anyagokat tartalmaznak, amelyek Kalifornia állam rendelkezései értelmében rákot, születési rendellenességet, illetve egyéb reprodukciós károkat okoznak.

A figyelmeztető szimbólumokat a sérülés valószínűsége és súlyossága szerinti kulcsszó kíséri (VESZÉLY, VIGYÁZAT, illetve FIGYELEM). A veszélyjelző szimbólum a veszély jellegét is jelzi.



VESZÉLY: olyan veszélyt jelez, amely - ha nem kerül el - mindenképpen **halált, vagy súlyos sérülést eredményez.**



VIGYÁZAT: olyan veszélyt jelez, amely - ha nem kerül el - **halált, vagy súlyos sérülést eredményezhet.**



FIGYELEM: olyan veszélyt jelez, amely - ha nem kerül el - **enyhe vagy közepes sérülést eredményezhet.**
Ha a FIGYELEM, kulcsszó figyelmeztető szimbólum nélkül fordul elő, akkor az olyan helyzetre utal, ami a **berendezés károsodását eredményezheti.**

Kezelőszervek, a berendezés funkciói (lásd 1 ábra)

Kerékhajtás karja (1) - A haladás menetirányát állítja (előre- vagy hátramenet).

Kurbli (2) - A kivetőakna irányát állítja.

Kivetőakna hóterelője (3) - A hó kivetésének távolságát változtatja.

Kivetőakna (4) - A hó kivetésének irányát változtatja.

Csigahajtás karja (5) - Elindítja és leállítja a csigát (a hó összegyűjtését és kivetését), amely egyben a hómarót is működteti.

Sebességváltó kar (6) - A hómaró sebességfokozatát állítja.

Magasságállító csúszka (7) - A csigaház talajtól való távolságát állítja.

Eltolható vágók (18) - (ha vannak) Céljuk, hogy a hóba a csigaháznál magasabb ösvényt lehessen vágni.

Biztonsági elnyíró csavarok (19) - A gép védelmében az elnyíró csavarok szándékosan eltörnek, ha a csigaházba beszorul valamilyen tárgy. Erősebb csavar beszerelése lehetetlenné teszi ezt a védelmet.

Kivetőakna vezérlőkarja (20) - A hó kivetésének távolságát változtatja.

Fűtött markolat kapcsolója (21) - Bekapcsolja markolat fűtését.

A motor kezelőszervei

Biztonsági kulcs (8) - A motor indításához be kell helyezni.

Felszívató gomb (9) - A karburátorba közvetlenül üzemanyagot fecskendez, segítve a hidegindítást.

Önindító gombja (10) - Az önindító modelleken a motor indítására szolgál.

Kapcsolódoboz (11) - Az önindító modelleken 220 V-os tápkábel csatlakoztatására szolgál.

Berántókar (12) - A motor kézi indítására szolgál.

Gázkar (13) - (ha vannak) A motorfordulatszám vezérlésére szolgál.

Leállító kapcsoló (13) - (ha vannak) A motor leállítására szolgál.

Szívató (14) - A hideg motor beindítására szolgál.

Veszélyjelző szimbólumok és jelentéseik

E szimbólumok szerepelnek a berendezésen, illetve kerülnek definiálásra a kezelési kézikönyvben. Tekintse át és értelmezze a jelentésüket. E szimbólumok egyike, és az egyik kulcsszó együttesen hívja fel a figyelmet egy adott veszélyre és annak elkerülésére.

	Biztonsági figyelmeztetés - A személyi sérülés kockázatát rejtő veszélyek biztonsági információit jelzi.
	Kezelési kézikönyv - Tanulmányozza és értelmezze, mielőtt bármilyen műveletet végezne a géppel.
	Forgó csiga
	Tűzveszély
	Forgó munkakereket
	Robbanásveszély
	Mérgező gőzök
	Áramütés veszélye
	Forgó fogaskerekek
	Forró felület
	Kivetett tárgyak
	Tartson biztonságos távolságot a berendezéstől.
	Tilos a forgó alkatrészek közé nyúlni.
	Karbantartás, javítás előtt kapcsolja ki a motort, és vegye le a gyertyapipát.

Üzemi szimbólumok és jelentéseik

E szimbólumok szerepelnek a berendezésen, illetve kerülnek definiálásra a kezelési kézikönyvben. Fontos, hogy tanulmányozza és értelmezze a szimbólumok jelentéseit. A szimbólumok meg nem értése személyi sérüléshez vezethet.

	Olaj		Előremenet
	Üzemanyag		Üres
	Ki / Be		Hátramenet
	Felszívató gomb		Gyújtás be
	Fojtószelep		Gyújtás ki
	Szívató kikapcsolva		Gyújtáskulcs
	Szívató bekapcsolva		Nyomja le az elektromos önindító működtetéséhez
	Stop		Elektromos önindítás
	Lassú		Motor indít
	Gyors		Motor jár
	Összekapcsolás		Motor kikapcsolva
	Tapadás		
	Csiga gyújtó		
	Csiga tengelykapcsolója		
	Kerékajtás tengelykapcsolója		
	Összekapcsol		
	Szabad		
	Kivetőakna		Kivetőakna hóterelője
	BALRA		JOBBRA
	FELFELÉ		LEFELÉ



! VESZÉLY

A forgó csiga súlyos, sőt, halálos sérülést okozhat. Tartsa távol kezét, lábát, ruházatát. A kivetőakna eltömődésének eltávolítása veszélyes művelet.

- A csigából a törmeléket, beletömörült havat tilos összekapcsolt hajtásnál vagy járó motornál kitisztítani.
- Állítsa le a motort és csatlakoztassa le a gyertyapipát, ha a berendezésen karbantartást végez.
- Járó motornál tilos felügyelet nélkül hagyni a gépet. Mindig csatlakoztassa szét a csigát, állítsa le a motort, és vegye ki a kulcsot.
- Működés közben a munkaterületől tartsa távol a gyermeket, háziállatokat, és egyéb élőlényeket. A gyermekek gyakran kíváncsiak a berendezésre, ezért megközelítik azt. Minden jelenlevő személyre figyeljen oda.
- A hómaró elejétől és a csigától tartsa távol a laza ruházatot. A forgó gép könnyen elkaphatja a sálakat, baseballkesztyűket, zsinórokat, laza ruházatot, illetve nadrágot, és akár végtagokat is leszakíthat. A hosszú hajat csavarja fel, az ékszereket vegye le.
- A hómaró kizárólag hóeltakarításra használható. Más célra tilos használni.
- Lejtőn, a lejtés irányára merőlegesen ne végezzen hómarást. Lejtőn történő irányváltáskor tanúsítson rendkívüli óvatosságot. Ne kísérelje meg a meredek lejtők hőmentesítését.
- A hómarót ne használja talajszint feletti felületeken, például tetőkön.



! VESZÉLY

A csiga szilárd tárgyakat is felkaphat, és az aknán keresztül kivetethet. Emberek vagy autók felé ezért tilos havat kivetni. A hómaró elé tilos embereket engedni.

- A berendezés működtetése közben vegye figyelembe a környezet elemeit. Ha a hó alatt rejtőző kavicsra, lábtörlőre, újságpapírra, játékokra, illetve kövekre hajt a hómaróval, akkor ezek a tárgyak az aknából kirepülhetnek, illetve a csigába szorulhatnak.
- Mindig legyen tisztában a hó kivetésének aktuális irányával. A közelben tartózkodó gyalogosok, háziállatok, illetve tárgyak megsérülhetnek az aknából kirepülő tárgyak miatt.
- A munka megkezdése előtt ismerje meg a megtisztítandó területet. Az anyagi kár, illetve a tárgyak kivetésének megelőzésére jelölje ki a gyalog- és autótak határait.
- Ismeretlen területen tanúsítson óvatosságot a hómarásnál. Figyeljen a rejtett veszélyekre és a forgalomra.
- Idegen tárgy elütésekor kapcsolja KI a motort, várjon, amíg a mozgó részek megállnak, és azonnal ellenőrizze, hogy nincs-e sérülés. Sérülés esetén a hómaró újbóli beindítása és használata előtt javítsa ki a hibákat.
- Kikapcsolt motor mellett várjon, amíg minden mozgó alkatrész megáll, majd feltétlenül bottal tisztítsa meg az aknát.
- Ha a műszer rendellenes módon rezeg, akkor kapcsolja KI a motort. A rezgés általában bajra utal. Szükség esetén javításért forduljon egy felhatalmazott szolgáltatóhoz.



! VESZÉLY

A kivetőakna a hó kivetésére forgó munkakereket tartalmaz. Kézzel, illetve járó motornál tilos a kivetőaknát tisztítani. A gép ugyanis gyorsan elkaphatja az ujjakat, ami súlyos sérülést, akár végtagvesztést vonhat maga után.

- A garat kioldása veszélyes tevékenység.
- A kivetőaknába, vagy annak közelébe tilos betenni a kezét.
- Kikapcsolt motor mellett várjon, amíg minden mozgó alkatrész megáll, majd bottal tisztítsa meg az aknát.
- Az összetömörült hó elrejtheti az aknába szorult egyéb akadályokat, amik károsíthatják a berendezést, a munkakereket, vagy a csigát. Legyen elővigyázatos, amikor a hó eltávolítása után újraindítja a berendezést.



! VIGYÁZAT

A motor kipufogógáza színtelen, szagtalan, mérgező szénmonoxidgázt tartalmaz. A szénmonoxid belélegzése hányingert, ájulást, végül halált okoz.

- Kültéren indítsa be és járassa a motort.
- Zárt területen még akkor se indítsa be vagy járassa a motort, ha a nyílászárók nyitva vannak.



VIGYÁZAT



A benzin és a benzingőz rendkívül tűz- és robbanásveszélyes.

A tűz és a robbanás súlyos, sőt, halálos égési sérülést okoz.

ÜZEMANYAG BETÖLTÉSÉNÉL

- Kapcsolja ki a motort, és hagyja legalább 2 percig hűlni a motort a tanksapka levétele előtt.
- -Az üzemanyagtartályt kültéren, jól szellőző helyen töltsse fel.
- Ne töltsse túl a tartályt.
- A benzint szikrától, nyílt lángtól tartsa távol.
- Gyakran ellenőrizze, hogy az üzemanyag-vezetékek, a tartály, a tanksapka, illetve a csatlakozások nem repedtek vagy szivárognak-e. Szükség esetén cserélje ki őket.

A MOTOR BEINDÍTÁSÁNÁL

- Ellenőrizze, hogy a gyújtógyertya, a hangtompító, az üzemanyag-betöltő, és a légszűrő a helyén van-e.
- Eltávolított légszűrővel ne próbálja meg berántani a motort.
- Ha üzemanyag ömlik ki, akkor a motor beindításával várjon, amíg elpárolog.
- Ha a motor túlszívatta magát, akkor a szívatót állítsa az OPEN/RUN állásba, a gázkart a FAST állásba, és indítson addig, amíg a motor be nem indul.

A BERENDEZÉS MŰKÖDTETÉSÉNÉL

- A motor leállításához ne a karburátor légellátását zárja el.

A BERENDEZÉS SZÁLLÍTÁSÁNÁL

- A gép szállítását ÜRES üzemanyagtartállyal végezze.

BENZIN TÁROLÁSÁNÁL, ILLETVE A BERENDEZÉS TELE ÜZEMANYAGTARTÁLYAL VALÓ TÁROLÁSÁNÁL

- Tartsa távol kemencétől, kályhától, vízmelegítőtől, és más, őrlánggal vagy más nyílt lánggal rendelkező berendezésektől, mert az begyűjthetja a benzingőzt.

A BIZTONSÁGOS ÜZEMELTETÉS SZABÁLYAI



VIGYÁZAT: Ez a készülék képes a kar és a láb amputációjára, és különböző tárgyak kihajtására is. Olvassa el ezeket a biztonsági előírásokat, és tartsa be őket. Ezen előírások be nem tartása a készülék irányítása feletti uralom elvesztéséhez, az Ön, vagy közelben álló személy súlyos személyi sérüléséhez, vagy halálához vezethet, vagy károkat okozhat vagyontárgyakban, vagy eszközökben. A háromszög a szövegben fontos elővigyázatossági előírásokat, vagy figyelmeztetéseket jelöl, amelyeket be kell tartani.

A hókotrók biztonságos üzemeltetési gyakorlata

FONTOS: A biztonsági előírások megkövetelik az üzemeltetői vezérlő használatát a sérülés kockázatának csökkentése érdekében. Az Ön hókotrója fel van szerelve ilyen vezérlővel. Semmilyen körülmények között ne próbálja meg az üzemeltetői vezérlő működését korlátozni.

Gyakorlás

1. A készülék üzembe helyezése előtt olvassa el, értse meg és tartsa be a gépen és az útmutatókban lévő összes utasítást. Alaposan ismerkedjen meg a vezérlőkkel, és a készülék megfelelő használatával. Tanulja meg, hogyan kell megállítani a készüléket és gyorsan kikapcsolni a vezérlőt.
2. Soha ne engedje, hogy gyermekek használják a készüléket. Soha ne engedje, hogy felnőttek megfelelő ismertetés nélkül használják a készüléket.
3. Távolítsa el mindenkit, főleg kis gyermekeket és háziállatokat arról a területről, ahol a készüléket használni szándékozik.
4. Óvatosan járjon el, hogy elkerülje az elcsúszást, vagy elesést különösen, amikor hátramenetben használja a készüléket.

Előkészületek

1. Alaposan vizsgálja meg azt a területet, ahol a készüléket használni szándékozik, és távolítsa el minden lábtörőt, szánkót, léccet, vezetéket és minden más idegen tárgyat.
2. A motor elindítása előtt oldja ki és állítsa üresbe a tengelykapcsolót és sebességváltót.
3. A készülék használatakor mindig viseljen megfelelő, kinti, téli ruházatot. Olyan lábbelit viseljen, mely megóvja az elcsúszástól csúszós felszínen is. Kerülje a lógó részeket tartalmazó ruházatot, melyet a forgó alkatrészek elkaphatnak.
4. Az üzemanyagot kezelje óvatosan; nagyon gyúlékony.
 - a. Használjon engedélyezett üzemanyag tárolót.
 - b. Soha ne adagoljon üzemanyagot járó, vagy forró motorba.
 - c. Az üzemanyagtartályt szabadtéren töltsse fel különleges óvatossággal. Soha ne töltsse fel az üzemanyagtartályt zárt helyiségben. Rögzítse az üzemanyagsapkát szorosan, és törölje le a kilötyönt üzemanyagot.
 - d. Soha ne töltsse a tartályokat járműben, vagy teherautóban, vagy utánfutón műanyag töltővel. A tárolókat mindig a földre helyezze le járművétől távol töltés előtt.
 - e. Amikor szükséges, vegye le az üzemanyaggal működő készüléket a teherautóról, vagy utánfutóról és a földön töltsse fel. He ez nem lehetséges, az utánfutón inkább hordozható tárolóból töltsse fel, mint gázolaj kiöntő csövet.
 - f. A kiöntő csövet érintse az üzemanyag tank pereméhez, vagy a tároló nyílásához egész idő alatt, amíg el nem készül a feltöltéssel. Ne használjon kiöntés záró-nyitó eszközt.
 - g. Rögzítse az üzemanyagsapkát szorosan, és törölje le a kilötyönt üzemanyagot.
 - h. Ha az üzemanyag ruházatra lötyten, azonnal cserélje le az adott ruhadarabot.

5. Úgy használjon hosszabbító kábeleket és aljzatokat, ahogy azt meghatározza az adott elektromos meghajtású, vagy elektromos indítású motorral működő készülék gyártója.
6. Állítsa be a gyújtó borításának magasságát, kavicsos, vagy zúzott köves felület tisztításához.
7. Soha ne kíséreljen meg beállításokat végrehajtani miközben a motor működik (kivéve, ha a gyártó kifejezetten nem így javasolja).
8. Mielőtt elkezdené a hó eltakarítását, hagyja, hogy a motor és a hókotró megszokja a külső környezetet.
9. Üzemeltetés közben, vagy beállítások végrehajtásakor, vagy javításakor mindig viseljen biztonsági szemüveget, vagy szemellenzőt, hogy megóvja a szemét azoktól az idegen tárgyaktól, amelyek a gépből repülhetnek ki.
10. Soha ne működtesse a hókotrókat megfelelő védők, lemezek, vagy más biztonsági eszközök nélkül, ha azok nincsenek a helyükön.

Üzemeltetés

1. Ne tegye a kezét, vagy lábát forgó részek alá. Mindig tartsa tisztán a kiengedő nyílást.
2. Különös óvatossággal járjon el, amikor kavicsos felhajtón, járdán, vagy úton üzemelteti a készüléket, vagy ezeken halad át. Figyeljen a közlekedés rejtett veszélyeire.
3. Miután egy idegen tárgyat eltalált, állítsa le a motort, távolítsa el a vezetéket a gyújtógyertyáról, kösse ki az elektromos motorok kábelét, alaposan vizsgálja meg a hókotrókat, nem érte-e sérülés, és javítsa meg a sérülést, mielőtt újraindítaná és működtetné a hókotrókat.
4. Ha a készülék rendellenesen elkezd rezegni, állítsa le a motort, és azonnal ellenőrizze az okát. A rezgés általában valamilyen gondot jelez.
5. Állítsa le a motort, amikor elhagyja a működtető pozíciót, mielőtt kioldaná a gyújtó/forgókerék borítását, vagy kioldaná a garatot, vagy javítást, beállítást, vagy ellenőrzést hajtana végre.
6. Tisztításkor, javításkor, vagy ellenőrzéskor bizonyosodjon meg afelől, hogy a gyújtó/forgókerék és minden mozgó rész leállt. Kösse ki a gyertya vezetékét, és tartsa a vezetéket a gyertyától távol, hogy elkerülje a véletlenszerű elindulást.
7. Ne működtesse a motort zárt helyiségben, kivéve, amikor elindítja a motort, vagy a hókotrókat épületbe, vagy épületből szállítja. Nyissa ki a külső ajtókat; a kipufogó gázok veszélyesek (SZÉNMONOXIDOT, egy SZAGTALAN és HALÁLOS GÁZT tartalmaznak).
8. Lejtőn történő üzemeltetéskor legyen rendkívül óvatos. Ne próbáljon meredek lejtőket letakarítani.
9. Soha ne működtesse a hókotrókat megfelelő védők, lemezek, vagy más biztonsági eszköz nélkül, mely a helyén van, és működik.
10. Soha ne irányítsa a kieresztőt emberek, vagy olyan terület felé, ahol vagyontárgy sérülése bekövetkezhet. Gyermekeket és másokat tartsa távol.
11. Ne lépje túl a gép kapacitását úgy, hogy a havat túl gyorsan próbálja eltakarítani.
12. Soha ne működtesse a gépet nagy sebességgel csúszós felszínen. Nézzon hátra, és legyen óvatos, amikor hátrafelé halad.
13. Amikor a hókotrókat szállítják, vagy nincs használatban, ne adjon áramot a gyújtó/forgókeréknek.

14. Csak a hókotró gyártója által jóváhagyott szerelékeket és tartozékokat használja (mint például fülkék, abroncs láncok, stb.).
15. Soha ne működtesse a hókotrot megfelelő látótávolság, vagy fény hiányában. Mindig álljon biztosan, és szorosan fogja a fogantyúkat. Sétáljon, soha ne szaladjon.
16. Soha ne érintse meg a forró motort, vagy kipufogódobot.
17. Soha ne használja a készüléket üvegfal, gépjárművek, ablaktáblák, szakadékok és ehhez hasonló közelében a hó kiöntő szögének megfelelő beállítása nélkül.
18. Soha ne irányítsa a kiöntőt a közelben állók felé, vagy bárki irányába, aki a készülék előtt áll.
19. Soha ne hagyja a működő készüléket felügyelet nélkül. Mindig oldja ki a csigát és a vonóerő szabályozást, állítsa le a motort és vegye ki a kulcsokat.
20. Alkoholos, vagy kábítószeres befolyás alatt soha ne működtesse a készüléket.
21. Ne feledje, hogy a készülék működtetője felelős a másokban, vagy vagyontárgyakban ejtett kárért.
22. Az adatok szerint a 60 éves, és annál idősebb felhasználók nagy arányban szenvednek motorral működő eszközökkel kapcsolatos sérüléseket. Ezeknek a felhasználóknak fel kell mérniük, hogy elég biztonságosan tudják-e működtetni a készüléket ahhoz, hogy saját maguk és mások sérülését elkerüljék.
23. SOHA NE viseljen hosszú sálát, vagy lógó ruházatot, melyeta mozgó alkatrészek bekaphatnak.
24. A hó elrejtetheti az akadályokat. Feltétlenül távolítson el minden akadályt a megtisztítandó területről.

Gyermekek

Tragikus balesetek történhetnek, ha a felhasználó nem figyel a gyermekek jelenlétére. A gyermekeket gyakran vonzza az eszköz és annak működtetése. Soha ne feltételezze, hogy a gyerekek ott maradnak, ahol utoljára látta őket.

1. Tartsa a gyermekeket távol a területről és egy másik felelős felnőtt figyelmére bízva.
2. Legyen résen, és állítsa le a készüléket, ha gyerekek vannak a területen.
3. Soha ne engedje, hogy gyermekek használják a készüléket.
4. Legyen különlegesen figyelmes, amikor beláthatatlan kanyarokhoz, bokrokhoz, fákhoz, vagy bármely a látást gátló tárgyakhoz ér.

Eltömődött kiöntőgarat tisztítása

A hókotrókkal kapcsolatos leggyakoribb baleseti ok, hogy a felhasználó benyúl a kiöntő garatba és a mozgó kerékhez ér. Soha ne kézzel tisztítsa ki a kiöntő garatot.

A garat megtisztításához:

1. **ÁLLÍTSA LE A MOTORT.**
2. Várjon 10 másodpercet, hogy a forgó pengék biztosan leálljanak.
3. Mindig a tisztítóeszközt, ne a kezét használja.

Szerelés, karbantartás és tárolás

1. Sűrűn ellenőrizze a szárnyas csavarok (szegecsek) és más csavarok feszességét, hogy biztosítsa az eszköz biztonságos működési feltételeit.
2. Soha ne tárolja a készüléket üzemanyaggal a tankjában olyan épületben, ahol gyulladást előidéző tárgyak vannak, mint például forró víz és levegő melegítők, vagy ruhaszárítók. Mielőtt bármely zárt helyen tárolná, hagyja a motort lehűlni.
3. Ha hosszabb időszakra tárolná a hókotrot, mindig tekintse át a használati útmutató idevonatkozó részeit.
4. Ha szükséges, tartsa karban, vagy cserélje ki a biztonsági és kezelési címkéket.
5. Működtesse a gépet pár percig hókotrás után, hogy megelőzze a gyújtó/forgókerék fagyását.
6. Ha az üzemanyag kilöttyent ne kísérelje meg a készülék újraindítását, hanem távolítsa el a gépet a kiömlés helyéről és kerülje el, hogy az üzemanyag meggyulladjon, amíg az üzemanyag el nem párolog.
7. Mindig tartsa be a biztonságos üzemanyag újratöltésre és üzemanyag kezelésre vonatkozó szabályokat, amikor szállítás, vagy tárolás után újratölti a készüléket.
8. Mindig tartsa be a motor használati utasításában a tárolás előkészületeire vonatkozó utasításokat, mielőtt rövid, vagy hosszabb távra tárolná a készüléket.
9. Mindig tartsa be a motor használati utasításában az újraindításra-vonatkozó utasításokat, mielőtt újra üzembe helyezné a készüléket.
10. Az anyákat és a csavarokat tartsa szorosan, hogy megőrizze a készülék jó állapotát.
11. Soha ne módosítsa a biztonsági eszközöket. Rendszeresen ellenőrizze, hogy megfelelően működnek-e, és végezze el a szükséges javításokat, ha nem.
12. Az alkatrészek elkophatnak, megsérülhetnek és megrongálódhatnak. Rendszeresen ellenőrizze az alkatrészeket, és a gyártó által javasoltakkal cserélje ki őket, amikor szükséges.
13. Rendszeresen ellenőrizze a vezérlő működését. Ha szükséges állítsa be, vagy javítsa meg.
14. Javításkor, csak gyárilag engedélyezett pótalkatrészeket használjon.
15. Minden beállítást a gyári műszaki leírásnak megfelelően hajtson végre.
16. Nagyobb szerelési, vagy javítási munkálatoknál, csak elfogadott szervizek vehetők igénybe.
17. Soha ne kíséreljen meg nagyobb javítást végrehajtani a készüléken, ha nincs megfelelő gyakorlata. A nem megfelelő javítási munkálatok veszélyes működéshez, a készülék meghibásodásához és a gyártói garancia elvesztéséhez vezethetnek.

Káros anyag kibocsátás

1. Ebből a termékből olyan kipufogógáz távozik, mely adott mennyiségben rákot, és különféle születési rendellenességeket okozhat.
2. Ha lehetséges keresse meg a vonatkozó emissziós állandósági időszak és levegő index információt a motor emissziós táblázatában.

Gyújtórendszer

1. Ez az indítórendszer megfelel a kanadai ICES-002-nek.

ÖSSZESZERELÉS

Olvassa el és tartsa be a hómáró összeszerelési és beállítási útmutatásait. Minden kötőelem az alkatrészecs zacskóban található. A gép összeszerelésének befejezéséig ne dobjon el semmilyen alkatrészt vagy anyagot.



VIGYÁZAT: A hómárón végzett bármilyen összeszerelési vagy karbantartási művelet előtt húzza le a gyertyapipát.

MEGJEGYZÉS: A jelen útmutatóban a „jobb” és „bal” oldal a gép mögött elhelyezkedő kezelő szemszögéből értendő.

MEGJEGYZÉS: A nyomaték newtonméterben kerül megadásra. Ez a mérőszám azt mutatja, hogy az anyákat vagy csavarokat mennyire kell meghúzni. A nyomaték nyomatékulccsal mérhető.

MEGJEGYZÉS: A kötőelemek és a nem felszerelt részek teljes méretben a 2 ábrán láthatók a 175. oldalon.

MEGJEGYZÉS: Az ábrák a 2. és a 176-181. oldalakon találhatóak.

Szükséges szerszámok

- | | |
|---|-------------------------|
| 1 | Kés |
| 1 | Fogó |
| 2 | 1/2" villáskulcs |
| 2 | 9/16" villáskulcs |
| 2 | 3/4" villáskulcs |
| 1 | Mérőszalag vagy vonalzó |
| 1 | Csavarhúzó |

A hómáró kivétele a csomagolásból

- (3 ábra) A hómáró szállítási helyzetben látható.
- Vágja le a karton négy sarkát és fektesse le lapjával az oldallapokat, vagy a húzófűl segítségével távolítsa el a dobozt az alaplattól.
- Vágja ki és dobja el a kurblirendszer és a fordulatszám-szabályozót rögzítő műanyag részeket.
- Keresse meg a külön csomagolt alkatrészeket, és vegye ki azokat a csomagolásból.
- Vegye ki és dobja el a hómáró körül található csomagolóanyagot.
- (1 ábra) Szállítási helyzetben a magasságállító csúszkák (7) a raklaphoz vannak rögzítve. Csavarja ki azokat a csavarokat (17), amelyek a magasságállító csúszkákat (7) a raklaphoz rögzítik.
- Fogja meg az alsó fogantyút, és húzza le a hómárót a raklapról.
FIGYELEM: NE húzza át kábeleken.
- Vegye le a fogantyú körül található csomagolóanyagot.
- Vágja el azokat a rögzítőket, amelyek a tengelykapcsoló vezérlőkábeleit (1) az alsó fogantyúhoz (2) rögzítik. A kábeleket vigye távolabb a motor vázától.

A fogantyú összeszerelése

- (4 ábra) Lazítsa meg, de ne vegye ki a kötőelemeket (1) az alsó fogantyú (3) felső furataiban.
- Vegye ki a kötőelemeket az alsó fogantyú (3) alsó furataiból.
- (1 ábra) A váltókort (6) állítsa az első előremeneti pozícióba.

- (4 ábra) Emelje a felső fogantyút (2) üzemi helyzetbe.

MEGJEGYZÉS: Ügyeljen, hogy a kábelek ne szorulhassanak be az alsó és a felső fogantyú közé.

- Tegye be a 2. lépésben kivett kötőelemeket. NE húzza meg őket, amíg valamennyi kötőelem nincs a helyén.
- Húzza meg a fogantyú összes kötőelemét.

A fokozatválasztó rúd felszerelése

- (9 ábra) A fokozatválasztó kar (2) alsó végén levő gömbcsuklót (6) váltóvilla (7). A kötőelemeket (8) a gyárban rögzítik a gömbcsuklóhoz (6).
A gömbcsukló (6) és a fokozatválasztó kar (2) hosszát előre beállítják a gyárban. Ha beállítás szükséges, akkor lazítsa ki az anyát (9). A kötőelemeket (8) vegye le, hogy a gömbcsukló (6) és a váltóvilla (7) különválasztható legyen. A fokozatválasztó rúd (2) hosszának változtatásához forgassa el az adaptert (10).
- (12 ábra) A fogantyút (11) szerelje fel a fokozatválasztó karra (5). Egyes modelleknél a fogantyú (11) már fel van szerelve. A rögzítéshez a hatlapú anyát (10) húzza rá a fogantyú (11) alsó részére.
- Ellenőrizze, hogy a fokozatválasztó kar (5) megfelelően működik-e. A fokozatválasztó kart (5) tegye be mindegyik fokozatba.

A markolatok felszerelése

MEGJEGYZÉS: Ha a markolatok már fel vannak szerelve, akkor ugorjon a következő lépésre.

Akna markolata (12 ábra)

- Szerelje fel az aknamarkolatot (1) a karra (3) úgy, hogy felüljön az anyára (2). Egyes modelleknél az aknamarkolat (1) már fel van szerelve.
- Az akna markolatának ajka (1) a motor felé nézzen.
- Az anyát (2) húzza rá a markolat (1) alsó részére.

A kivetőakna felszerelése

- (6 ábra) Vegye le a kapupántcsavart (1).
- Emelje a kivetőaknát (2) üzemi helyzetbe.
- A kivetőaknát (2) a kapupántcsavarokkal (1) rögzítse a karimához (4). A csavarfejeknek (1) a karima (2) belseje felé kell nézniük.
- A kapupántcsavarokat alátétekkel (5) és anyákkal (6) rögzítse.
- Az anyákat (6) erősen húzza meg.

MEGJEGYZÉS: Mindegyik kapupántcsavarnak szorosan kell állnia. NE HÚZZA TÚL.

A kábelek ellenőrzése

- (8 ábra) Ellenőrizze a kerékajtás (1) és a csigahajtás (2) kábelét. Ha a kábelek alsó vége kilazult, akkor csatlakoztassa vissza.
- (10 ábra) Ha a kábelek (5) felső vége kilazult a hajtókarokból (6), akkor a kábeleket (5) a Z-fittinghez (7) csatlakoztassa.

A csúszkák magasságának beállítása (1 ábra)

A hómáró csigaházának (4) külső részére állítható magasságú csúszkákat (7) szereltek. A csúszkák magasságának beállításáról lásd a

Karbantartás fejezet „Csúszkák magasságának beállítása” részét.

A kábelek hosszának beállítása

A kábeleket a gyárban beállították, és általában további beállítás már nem szükséges. A fogantyúk üzemi helyzetében azonban a kábelek túl feszesek vagy túl lazák lehetnek. Ha beállítás szükséges, akkor tanulmányozza a „Kábelek ellenőrzése és beállítása” részt a Szerviz és beállítás fejezetben.

Az eltolható vágó összeszerelése (ha van)

Az eltolható vágók célja, hogy a hóba a csigaháznál mélyebb ösvényt lehessen vágni.

- (11 ábra) Lazítsa meg az eltolható vágókat (1) a csigaházhoz rögzítő szárnyasanyákat (2).
- A vágókat (1) emelje a kívánt magasságra.
- A szárnyasanyákat (2) húzza meg.

A motor előkészítése

MEGJEGYZÉS: A motort a gyárból olajjal feltöltve szállítják. Ellenőrizze az olajsintet. Szükség esetén töltsön utána.



VIGYÁZAT: Az alkalmazandó üzemanyag és olaj típusával kapcsolatban tartsa be a motor gyártójának útmutatásait. Mindig biztonsági üzemanyagtartályt használjon. A benzin betöltése közben ne dohányozzon. Beltéren ne tankoljon. Az üzemanyag betöltése előtt állítsa le a motort. Várjon néhány percig, amíg a motor kissé lehül.

Ellenőrizze az olajsintet. Az alkalmazandó üzemanyag és olaj típusával kapcsolatban lásd a motor gyártójának útmutatásait. A gép használata előtt tanulmányozza a biztonságra, üzemeltetésre, karbantartásra és tárolásra vonatkozó útmutatásokat.

Fontos! Az üzemeltetés megkezdése előtt

- Ellenőrizze a kötőelemeket. Mindegyik kötőelemnek meghúzott állapotban kell lennie.
- Az elektromos indítású modelleknél a gépet a motorba illesztett indítókábelrel szállítják. Üzemeltetés előtt az indítókábelrel húzza ki a motorból.

ÜZEMELTETÉS

MEGJEGYZÉS: Az ábrák a 2. és a 176-181. oldalakon találhatóak.

FIGYELEM: Csak a hómáró gyártója által jóváhagyott tartozékokat használja (pl. hólánc, elektromos indítókészlet, stb.).

A hómáró megismerése (1 ábra)

A hómáró működtetése előtt olvassa el a jelen útmutatót és a biztonsági szabályokat. Az ábrát hasonlítsa össze a saját hómárójával. A különböző kezelőszervek elhelyezkedésének megismerésében használja segítségül az ábrát.

A hó kivetésének szabályozása



VIGYÁZAT: A hó kivetésének nem szabad a közelben tartózkodókra irányulnia.



VIGYÁZAT: A kivetőakna és a csigaház eltömődés-mentesítése előtt, illetve a gép elhagyása előtt mindig le kell állítani a motort.

1. (5 ábra) Az elektromos kivetőakna-kapcsolót (2) a hó kivetési irányának beállításához mozgassa el (balról jobbra).
2. A kivetőakna karjának (17) hátrahúzásával a hó magasabbra és messzebbre vetődik ki. A kivetőakna karjának (17) előretolásával a hó alacsonyabbra vetődik ki.

A hómaró leállítása (1 ábra)

1. A hó kivetésének leállításához engedje el a csigahajtás karját (5).
2. A kerekek forgásának leállításához engedje el a kerékajátás karját (1).
3. A fojtószelep-szabályozással (13) ellátott motorú gépeknél a motor leállításához először vigye a fojtószelep-szabályozót (13) a LASSÚ, majd a STOP állásba.
4. A gyújtáskapcsolóval (13) ellátott motorú gépeknél a motor leállításához fordítsa a gyújtáskapcsolót (13) a KI állásba.
5. Húzza ki és vegye ki a biztonsági kulcsot (8).

FIGYELEM: A motor leállításánál a szívató ne legyen a CHOKE állásban. Ez ugyanis visszagyújtást, sőt, a motor károsodását okozhatja.

Haladás előre- és hátrafelé (1 ábra)

1. A menetsebesség megváltoztatásához először engedje el a kerékajátás karját (1), majd a sebességváltó kart (6) mozgassa a kívánt fokozatba.
2. A menetsebességet a hóviszonyok határozzák meg. A fokozatok a sebességváltó karnak (6) a lemez megfelelő bevágásába való betolásával választhatók ki.
 - 1., 2. fokozat Nedves, Nehéz
 3. fokozat Könnyű
 4. fokozat Nagyon könnyű
 - 5., 6. fokozat Csak szállítás
3. Előremenethez mozdítsa meg a kerékajátás karját (1). Ahogy a hómaró előre felé mozdul, erősen fogja meg a fogantyút. A hómaró a fogantyú jobbra-balra mozgásával irányítható. A hómarót ne tolja előre felé.
4. Hátramenethez engedje el a kerékajátás karját (1).
5. A sebességváltó kart (6) tegye az első vagy a második hátrameneti fokozatba.
6. Mozdítsa meg a kerékajátás karját (1).

FONTOS: Ne mozdítsa meg a sebességváltó kart (6) mindaddig, amíg a kerékajátás karja (1) el van mozdítva.

Hómarás (1 ábra)

1. Mozdítsa meg a csigahajtás karját (5).
2. A hómarás leállításához engedje el a csigahajtás karját (5).



VIGYÁZAT: Minden hómaró kezelése közben fennáll annak a veszélye, hogy a kezelő szemébe idegen anyag kerül, ami súlyos szemkárosodást okozhat. A hómaró működtetése közben tehát mindig viseljen védőszemüveget vagy szempajzsot. Szabványos védőszemüveg, illetve a dioptriás szemüveg fölé széles látómezejű biztonsági maszk alkalmazását javasoljuk.

A fűtött markolat használata (5 ábra)



VIGYÁZAT: A fűtött markolatot 0°C alatti hőmérsékletre tervezték. Ne kapcsolja be a fűtést, ha a hőmérséklet 0°C fölött van.

Ha a hőmérséklet 0°C alá csökken, akkor a fűtött markolattal melegen tarthatja kezét. A fűtés kapcsolóját (20) állítsa ON helyzetbe. A markolat bemelegedése néhány percig eltarthat. A fűtött markolat igen felmelegedhet, ezért kesztyű használata javasolt. Ha úgy észleli, hogy a markolat túlságosan meleg, akkor kapcsolja ki a fűtést.

A motor beindítása előtt

1. A motor szervizelése vagy beindítása előtt ismerkedjen meg a hómaróval. Minden kezelőszerv funkcióját és elhelyezkedését ismernie kell.
2. A motor beindítása előtt ellenőrizze a tengelykapcsoló-kábel feszességét. Lásd a jelen kézikönyv Karbantartás fejezetének „A tengelykapcsoló-kábel beállítása” című részét.
3. Mindegyik kötőelemnek meghúzott állapotban kell lennie.
4. A magasságállító csúszkáknak helyesen beállított állapotban kell lenniük. Lásd a jelen kézikönyv Karbantartás fejezetének „A csúszkák magasságának beállítása” című részét.
5. Ellenőrizze a guminyomásokat. A helyes légnyomás 1 bar (14 psi)-tól 1,25 bar (17 psi)-ig terjed. A légnyomás ne lépje túl a gumibroncs oldalán olvasható maximális megengedett értéket.

A motor leállítása (1 ábra)

1. A fojtószelep-szabályozással (13) ellátott motorú gépeknél a motor leállításához először vigye a fojtószelep-szabályozót (13) a LASSÚ, majd a STOP állásba.
2. A gyújtáskapcsolóval (13) ellátott motorú gépeknél a motor leállításához fordítsa a gyújtáskapcsolót (13) a KI állásba.
3. Húzza ki és vegye ki a biztonsági kulcsot (8). A gyújtáskapcsolót (8) biztonságos helyen őrizze. A motor a biztonsági kulcs (8) nélkül nem indul be.

FIGYELEM: A motor leállításánál a szívató ne legyen a CHOKE állásban. Ez ugyanis visszagyújtást, sőt, a motor károsodását okozhatja.

A motor elindítása (1 ábra)

Elektromos önindítóval szerelt modellek

MEGJEGYZÉS: A berántókaros modellekre utólag is felszerelhető elektromos önindító. Az önindító-készletek a legközelebbi engedélyezett szervizközpontban rendelhetők meg.



VIGYÁZAT: Az önindító háromvezetékes tápkábelrel és villásdugóval rendelkezik. Az önindító működtetéséhez 220 voltos háztartási váltóáram szükséges. A tápkábelnek mindig megfelelően földelt állapotban kell lennie, elkerülendő a kezelőt érő áramütést. Gondosan tartsa be „A motor elindítása” fejezet minden útmutatását. A háztartási hálózatnak háromvezetékes, földelt rendszernek kell lennie. Ha Ön efelől nem bizonyos, akkor kérdezzen meg egy villanyszerelőt. Ha a háztartási hálózat nem háromvezetékes földelt rendszer, akkor semmi esetre se használja az elektromos önindítót. Ha a rendszer földelt, de a motor beindításához nem áll rendelkezésre háromlyukú földelt csatlakozóaljzat, akkor villanyszerelővel szereltesen fel ilyet. A 220 voltos váltóáramú tápkábelrel először minden esetben a motor kapcsolódobozáéhoz (11) csatlakoztassa. Ezután a kábel másik végét csatlakoztassa a háromlyukú földelt aljzathoz. A tápkábel kihúzásakor először mindig a háromlyukú aljzat felőli végét húzza ki.

Hideg motor indítása (1 ábra)

1. Ellenőrizze az olajszintet.
2. Az üzemanyagtartályt töltsé fel ólommentes normálszennel. Lásd „A motor előkészítése”.
3. A kerékajátás (1) és a csigahajtás (5) karjának egyaránt szétkapcsolt (elengedett) helyzetben kell lennie.
4. A fojtószelep-szabályozással (13) ellátott motorú gépeknél a motor elindításához vigye a fojtószelep-szabályozót (13) a GYORS állásba. A motort a fojtószelep-szabályozó (13) GYORS állásában működtesse.
5. A gyújtáskapcsolóval (13) ellátott motorú gépeknél a motor elindításához fordítsa a gyújtáskapcsolót (13) a BE állásba.
6. A motor kulcs helyére illesse be a biztonsági kulcsot (8). A biztonsági kulcsnak (8) teljesen behelyezett állapotban kell lennie. A gyújtáskapcsolót (8) ne fordítsa el.
7. A szívatót (14) tolja a maximális állásba.
8. (Önindító) A tápkábelrel csatlakoztassa a motoron levő kapcsolódobozáéhoz (11).
9. (Önindító) A tápkábel másik végét illesse a háromlyukú, földelt, 220 VAC aljzatba. (Lásd a figyelmeztetést a jelen fejezetben).
10. Nyomja meg a felszívató gombot (9). A felszívató gomb (9) lenyomásainak szükséges számáról lásd a motor gyártójának útmutatásait.
11. (Önindító) Nyomja le az önindító gombját (10), amíg a motor be nem indul. Egyszerre 5 másodpercnél tovább ne indítózson. Az indítási kísérletek között várjon egy percre, hogy az önindító lehűlhessen.
12. (Berántókaros indítás) Lassan húzza a berántókart (12) addig, amíg ellenállást nem érez, majd ezután gyorsan rántsa meg a kart a motor beindításához. A berántókart (12) ne engedje visszacsapódni. Lassan engedje vissza a berántókart (12).
13. Ha a motor 5-6 kísérlet után sem indul be, akkor tanulmányozza a hibakeresési táblázatot.

14. Várjon néhány percig, amíg a motor beemelegszik. A motor beemelegedésekor a **szívatót (14)** állítsa a RUN állás felé. A szívató minden megmozdítása előtt várja meg, amíg a motor simán kezd járni.

15. **(Önindító)** A tápkábelt először a dugaszolóaljzathoz húzza ki. A tápkábelt ezután húzza ki a **kapcsolódobozból (11)**.
MEGJEGYZÉS: -18 °C alatt a hómarás megkezdése előtt várjon néhány percig, amíg a motor beemelegszik.

16. Hómaráshoz a **gázkart (13)** (ha vannak) mindig tolja a gyors állásba.



VIGYÁZAT: A motort tilos beltéren, illetve zárt, gyenge szellőzésű helyen működtetni. A motor kipufogógáza színtelen, szagtalan szénmonoxidgázt tartalmaz. A szénmonoxid halálos kimenetelű mérgezést okoz. Kezét, lábát, haját, laza ruhadarabjait tartsa távol a motor és a hómaró mozgó alkatrészeitől. A kipufogó hangtompítója és annak környéke igen forró. Kerülje ezeket a területeket.

Meleg motor indítása (1 ábra)

Ha a motor korábban már működött, és ezért üzemmeleg, akkor a **szívatót (14)** hagyja kikapcsolt állapotban, és ne nyomja le a **felszívató gombot (9)** sem. Ha a motor nem indul be, akkor a „Hideg motor elindítása” fejezet szerint járjon el.

MEGJEGYZÉS: Meleg motor indításához ne használja a felszívató gombot (9).

A motor indítása befagyott önindító esetén (1 ábra)

Ha az elektromos önindító befagyott, és nem forgatja meg a motort, akkor az alábbiak szerint járjon el.

1. Az önindítóból húzza ki a lehető legtöbb indítókötelet.
2. Engedje el az indítófogantyút, és hagyja, hogy az visszacsapódjon az önindítóra. Az eljárást addig ismételje, amíg a motor be nem indul.

A meleg motor hatására hideg időben páralecsapódás lép fel. Ennek megakadályozására, hogy a lecsapódott pára hatására befagyjon a berántókar és a motor többi kezelőszerve, minden hőeltakarítási tevékenység után az alábbiak szerint járjon el.

1. Hőeltakarítás után néhány percig még járassa a hómarót, megakadályozandó a csiga/munkakerék befagyását.
2. Kikapcsolt motorral várjon néhány percig, amíg a motor lehül.
3. Az indítókötelet húzza meg igen lassan, de csak addig, amíg ellenállást nem tapasztal. Engedje, hogy a kötélt visszatérhessen a helyére. Az eljárást ismételje meg háromszor.
4. Álló motor mellett törölje le a nedvességet és a havat a karburátor fedeléről, a kezelőkarok közelében. A szívatót és az indítófogantyút is mozgassa meg többször.

Hó és törmelék eltávolítása a csigaházból



VIGYÁZAT: Kézze ne próbálja meg a csigaházba szorult havat vagy törmelékelt eltávolítani. A hó és törmelék eltávolításához tisztítópálcát vagy fesztítővasat használjon.

(7 ábra) Egyes modelleknél a csigaház tetején tisztítópálca található. A csigaházból ezzel a pálcával távolítható el a hó.

1. **(1 ábra)** Engedje el a **csigahajtás karját (5)**.
2. Állítsa le a motort.
3. Vegye ki a **gyújtáskulcsot (8)**. **Ne fordítsa el.**
4. Csatlakoztassa le a gyertyapipát.

5. Kézze ne nyúljon a **csigaházba (4)** és a **kivetőaknába (3)**.
6. **(7 ábra)** A hó és törmelék eltávolításához tisztítópálcát vagy fesztítővasat használjon.

Tanácsok hómaráshoz

1. A hómaró maximális hatékonysága érdekében a körülményekhez kell igazítani a haladási sebességet. Mély, fagyott, vagy nedves hóban haladjon lassabban. Ha a kerék megcsúszik, akkor csökkentse a haladási sebességet.
2. A hómarás hatékonyabb lehet, ha a havat közvetlenül annak leesése után takarítja el.
FIGYELEM: A gépet ne terhelje túl úgy, hogy túl nagy sebességgel próbál havat takarítani.
3. Az összes hó eltávolításához a mart ösvények kissé fedjék át egymást.
4. Ha csak lehetséges, szélirányban vesse ki a felmárt havat.
5. Normál használatnál a csúszkákat úgy állítsa be, hogy a marórúd mindegy 3 mm-rel felettük helyezkedjen el. Rendkívül kemény felületű hóréteg esetén a csúszkákat állítsa feljebb, hogy a marórúd a talajt érintse.
6. A gépnek nem szabad köveket, kavicsot felszednie és kivetnie. Kavicsos vagy zúzottkő talajon a csúszkákat kb. 32 mm a marórúd alá pozícionálja. Lásd a jelen kézikönyv Karbantartás fejezetének „A csúszkák magasságának beállítása” című részét.
7. A hómarási tevékenység után mindig járassa néhány percig alapjáraton a motort. Ezalatt a hó és az összegyűlt jég leolvad a motorról.
8. Minden használat után tisztítsa meg a hómarót.
9. A hómaró minden részéből távolítsa el a jeget, havat és törmelékelt. A sót és egyéb vegyszereket vizes öblítéssel távolítsa el. A hómarót törölje szárazra.

KARBANTARTÁSI TÁBLÁZAT

A VÁSÁRLÓ FELADATAI

SZERVIZBEJEGYZÉSEK Adja meg azon dátumokat, amikor elvégzi a rendszeres szervizt.	Minden használat előtt	Első 2 üzemóra	Minden 5 üzemóra	Minden 10 üzemóra	Minden 25 üzemóra	Minden évad	Tárolás előtt	SZERVIZMUNKÁLATOK DÁTUMAI
Ellenőrizze a motorolaj-szintet	√		√			√		
Cserélje a motorolajat					√	√		
Ellenőrizzen és húzzon utána minden csavart és anyát	√					√		
Ellenőrizze a gyújtógyertyát					√	√		
Állítsa be a hajtószíjat		√			√	√		
Ellenőrizze az üzemanyagot	√							
Eressze le az üzemanyagot							√	
Ellenőrizze a csigahajtás tengelykapcsoló-kábelének beállítását (Lásd Kábelbeállítás)		√				√		
Ellenőrizze a kerék hajtás tengelykapcsoló-kábelének beállítását (Lásd Kábelbeállítás)		√				√		
Kenjen meg minden forgáspontot				√			√	
Kenje meg a csigatengelyt (Lásd Elnyíró csavarok cseréje)				√			√	
Kenje meg a hajtóláncokat és a lánckerekeket				√			√	

KARBANTARTÁS

MEGJEGYZÉS: Az ábrák a 2. és a 176-181. oldalakon találhatóak.

A gépet az alábbi karbantartási fejezet segítségével tarthatja jó üzemi állapotban. A motorra vonatkozó karbantartási információk a motor gyártójának útmutatásai között találhatóak. A motor beindítása előtt olvassa el ezt a könyvet.



VIGYÁZAT: A hómáron végzett bármilyen szemrevételezési, beállítási (a karburátort kivéve), illetve javítási művelet előtt húzza le a gyertyapipát.

Általános ajánlások

A jelen hómárona vonatkozó garancia nem érvényesíthető olyan esetekben, amelyeket a kezelő nem megfelelő magatartása, illetve mulasztása okoz. A garancia teljes érvényesíthetőségének feltétele, hogy a kezelő a hómárot a jelen kézikönyvben leírtak szerint tartsa karban.

A hómáro megfelelő karbantartásához bizonyos beállításokat rendszeres időközönként el kell végezni.

Minden használat után

- Ellenőrizze, hogy nem lazultak-e le, illetve nem károsodtak-e alkatrészek.
- Húzza meg az összes lelazult kötőelemet.
- Ellenőrizze és tartsa karban a csigát.
- Ellenőrizze, hogy a kezelőszervek megfelelően működnek-e.

- A kopott vagy sérült részeket azonnal cserélje ki.
 - Ellenőrizze minden biztonsági és útmutató matrica és címke meglétét. A hiányzó vagy olvashatatlan matricákat, címkéket cserélje ki.
- A jelen kézikönyv Karbantartás fejezetében leírt beállításokat évadonként legalább egyszer ellenőrizni kell.

Igény szerint

Az alábbi beállítást évadonként egynél többször is el kell végezni.

1. A csiga hajtószíját az első 2-4 üzemóra után, majd az évad közepén, ezt követően pedig évadonként kétszer állítsa be. Lásd a Karbantartás fejezet „A csiga hajtószíjának beállítása” című részét.

Kenés

10 üzemóránként (14 ábra)

1. A zsírozógomboknál (1) zsírozópisztollyal 10 üzemóránként végezzen kenést.
2. A csigatengelyt minden elnyíró csavar cseréjekor is meg kell zsírozni.
3. Kenjen meg minden forgáspontot.

25 üzemóránként

Láncok

1. (1 ábra) A váltókart (6) állítsa az első előremeneti pozícióba.
2. A benzintankból ürítse ki a benzint. A hómárot állítsa fel a csigaház (4) elülső részére.



VIGYÁZAT: A benzint kültéren, nyílt lángtól távol engedje le.

3. (22 ábra) Lazítsa ki a csavarokat (3) az alsó panel (2) két oldalán.
 4. Vegye le az alsó panelt (2).
 5. (15 ábra) A láncokat (5) lánckenő olajjal kenje meg.
 6. A hatszögletű tengelyt és a lánckerekeket (6) 5W30 motorolajjal törölje át.
- MEGJEGYZÉS:** Ha a zsír vagy olaj a hajtótárcsára (1) vagy a dörzskerékre (3) jut, akkor károsodás léphet fel. Az olajat, zsírt alkoholalapú oldószerrel törölje le.
7. (22 ábra) Szerelje fel az alsó panelt (2).
 8. Húzza meg a csavarokat (3) az alsó panel (2) mindkét oldalán.

Alkatrészek, amelyeket nem szabad kenni (15 ábra)

1. A hatszögletű tengelyt és a lánckerekeket (6) ne kenje meg. A csapágycsapat és a perselyeket a gyárban a teljes élettartamra szelőan megkenték. Tároláskor vigyen fel kis mennyiségű 5W30 motorolajat egy textildarabra, és a rozsdásodás elkerülésére törölje át vele a hatszögletű tengelyt és a lánckerekeket (6).
2. Ha a zsír vagy olaj a hajtótárcsára (1) vagy a dörzskerékre (3) jut, akkor a lendkerék (3) károsodhat. A hajtótárcsát (1) és a dörzskeréket (3) tehát gondosan tisztítsa meg.

FIGYELEM: A fenti részegységekre jutó bármilyen kenőzsír vagy -olaj a dörzskerék (3) szennyeződéséhez vezethet. Ha a zsír vagy olaj a hajtótárcsára (1) vagy a dörzskerékre (3) jut, akkor a dörzskerék károsodik.

- A csiga fogaskerékházát a gyárban kenéssel látják el, és további kenést nem igényel. Ha valami okból a kenőanyag kiszivárog, akkor a fogaskerékházat ellenőriztesse a gyár által felhatalmazott szervizközponttal.

A csúszkák magasságának beállítása (1 ábra)

A jelen hómáror két, állítható magasságú csúszkával (7) rendelkezik. E csúszkák megemelik a hómáror elejét. Normál, kemény útfelület (pl. burkolt út) esetén a csúszkákat az alábbiak szerint állítsa be.

- A hómárorát állítsa vízszintes felületre.
- Ellenőrizze, hogy mindkét gumiabroncs nyomása azonos-e. A helyes légnyomás 1 bar (14 psi)-tól 1,25 bar (17 psi)-ig terjed. A légnyomás ne lépje túl a gumiabroncs oldalán olvasható maximális megengedett értéket.
- A tartalék elnyíró csavarokat (az **alkatrészes zacskóban mellékelve**) tegye a **marórúd (15)** két vége alá, az **állítható csúszkák (7)** mellé.
- Csavarja ki azokat a **rögzítőcsavarokat (16)**, amelyek az állítható **csúszkák (7)** rögzítik. A hómáror elejének süllyesztéséhez emelje meg a két **állítható csúszkát (7)**. A **rögzítőcsavarokat (16)** húzza meg.

MEGJEGYZÉS: Sziklás vagy más egyenetlen talajhoz emelje meg a hómáror elejét a két állítható csúszka (7) lesüllyesztésével.



VIGYÁZAT: Mindig a megtisztítandó talajhoz megfelelő talajhézagot válasszon. A munkakerék a kavicsot, követ, egyéb törmelékkel elegendő mértékben felgyorsíthatja ahhoz, hogy az kirepülve személyi sérülést, anyagi kárt, illetve a hómáror károsodását okozhassa.

A marórúd beállítása (1 ábra)

Hosszabb idejű használat után a marórúd (15) elkopik. A **marórudat (15)** a csúszkákkal együtt be kell állítani, hogy a **marórúd (15)** és a megtisztítandó talaj között legyen 3 mm hely.

- A hómárorát állítsa vízszintes felületre.
- Ellenőrizze, hogy mindkét gumiabroncs nyomása azonos-e. A helyes légnyomás 1 bar (14 psi)-tól 1,25 bar (17 psi)-ig terjed. A légnyomás ne lépje túl a gumiabroncs oldalán olvasható maximális megengedett értéket.
- Lazítsa meg a marórudat (15) a csigaházhoz (4) rögzítő kapupántcsavarokat és anyákat.
- A **marórudat (15)** úgy állítsa be, hogy a **marórúd (15)** és a megtisztítandó talaj között 3 mm hely legyen.
- A kapupántcsavarokat és anyákat húzza meg. A **marórúd (15)** legyen párhuzamos a megtisztítandó talajjal.
- A marórúd (15) élettartamának meghosszabbítása érdekében fordítsa meg a marórudat.

A kábelek ellenőrzése és beállítása

A kerékhajtás és a csigahajtás kábelét a gyárban megfelelően beállítják. Normál használat közben azonban a kábel megnyúlhat, ezért a következők szerint ellenőrizni kell és be kell állítani.

A kábelek ellenőrzése (16 ábra)

- A megfelelő beállítás ellenőrzéséhez csatlakoztassa le a Z-fittinget (1) a hajtókarról (2).
- A hajtókart (1) tolja előre, amíg fel nem ütközik a műanyag ütközőre (3).
- A kábel beállítása akkor megfelelő, ha a Z-fitting (1) középpontja illeszkedik (4) a hajtókár (2) furatához, miközben a kábel feszes.

A csigahajtás kábelének beállítása

- A benzintankból ürítse ki a benzint. A hómárorát állítsa fel a csigaház elülső részére.
- VIGYÁZAT:** A benzint kültéren, nyílt lángtól távol engedje le.
- (16 ábra) Csatlakoztassa le a Z-fittinget (1) a hajtókarról (2).
 - (17 ábra) Húzza felfelé a rugófedelet a rugó (5) láthatóvá tételéhez. A kábelt (6) tolja keresztül a rugón (5), a kábel (6) szögletes végének (7) láthatóvá tételéhez.
 - Fogóval fogja meg a kábel szögletes végét (7), és az állítóanyát (8) tekerje ki- vagy befelé, amíg a lazaság eltűnik.
 - A kábelt (6) tolja vissza a rugóba (5).
 - (16 ábra) Csatlakoztassa a Z-fittinget (1) a hajtókárhoz (2).

MEGJEGYZÉS: A csiga hajtósíjának beállítása vagy cseréje után mindig ellenőrizze és állítsa be a kábelt is.

A kerékhajtás kábelének beállítása

- A benzintankból ürítse ki a benzint. A hómárorát állítsa fel a csigaház elülső részére.



VIGYÁZAT: A benzint kültéren, nyílt lángtól távol engedje le.

- (22 ábra) Lazítsa ki a csavarokat (3) az alsó panel (2) két oldalán.
- Vegye le az **alsó panelt (2)**.
- (16 ábra) Csatlakoztassa le a Z-fittinget (1) a kerékhajtás karjáról (2).
- (27 ábra) Csúsztassa le a kábelhüvelyt (3) a kábelbeállító konzolról (4).
- A kerékhajtás kábelét (5) tolja keresztül a kábelbeállító konzolon (4), amíg a Z-horog (6) kivehetővé válik.
- A Z-horgot (6) vegye ki a kábelbeállító konzolból (4). A Z-horgot (6) akassza a következő beállítási furatba.
- A kerékhajtás vezérlőkábelét (5) felfelé tolja át a kábelbeállító konzolon (4).
- A kábelhüvelyt (3) húzza rá a kábelbeállító konzolra (4).
- (16 ábra) Csatlakoztassa a Z-fittinget (1) a kerékhajtás karjára (2).
- (15 ábra) A beállítás megfelelőségének ellenőrzéséhez nyomja le a hajtókart, és ellenőrizze a hajtórugó (7) „A” hosszúságát. Megfelelő beállítás esetén a kábelrugó (7) „A” hossza a következő:
legalább 76 mm
legfeljebb 85 mm.
- (22 ábra) Szerelje fel az **alsó panelt (2)**.
- Húzza meg a csavarokat (3) az alsó panel (2) mindkét oldalán.

A szíjak beállítása

A szíjak a normál használat közben megnyúlnak. Ha kopás vagy megnyúlás miatt be kell állítani a szíjakat, akkor az alábbiak szerint járjon el.

A csigahajtás szíjának beállítása

Ha a hómáror nem veti ki a havat, akkor ellenőrizze a csigahajtás kábelének beállítását. Lásd a Karbantartás fejezet „A kábelek ellenőrzése és beállítása” című részét. Ha a kábel beállítása megfelelő, akkor ellenőrizze a csiga hajtósíjának állapotát. Ha a csiga hajtósíja sérült, akkor cserélje. Lásd a Karbantartás fejezet „A hajtósíjak cseréje” című részét. Ha a csiga hajtósíja laza, akkor a következők szerint állítsa be.

- Csatlakoztassa le a gyertyapipát.
- (18 ábra) Vegye ki a csavart (2) a szíjburkolatból (1). Vegye le a **szíjburkolatot (1)**.
- (19 ábra) Lazítsa meg a feszítőgörgőt (3) rögzítő anyát (2). A feszítőgörgőt tolja 3 mm a csiga hajtósíja (4) felé.
- A **rögzítőanyát (2)** húzza meg.
- (21 ábra) Nyomja le a csigahajtás karját. Ellenőrizze a **csiga hajtósíjának (4)** feszességét. Megfelelő beállítás esetén a hajtósíj mérsékelt nyomásra mintegy 12,5 mm (5) hajlik be. Ha a beállítás nem megfelelő, akkor ismétlje meg.
- (18 ábra) Szerelje fel a **szíjburkolatot (1)**. A **csavart (2)** húzza meg.
- Ellenőrizze a csiga hajtósíjának beállítását. Lásd a Karbantartás fejezet „A kábelek ellenőrzése és beállítása” című részét.
- Csatlakoztassa a gyertyapipát.

Kerékhajtás szíja

A kerékhajtás szíját állandó rugóerő feszíti, így beállítást nem igényel. Ha a kerékhajtás szíja csúszik, akkor cserélje a szíjat. Lásd a Karbantartás fejezet „A hajtósíjak cseréje” című részét.

A hajtósíjak cseréje

A hajtósíjak különleges konstrukciójuk, így mindenképpen eredeti gyári tartalékszíjakkal kell lecserélni őket. Ilyen szíjak a legközelebbi felhatalmazott szervizközpontban szerezhetők be.

Egyes lépésekhez segítő közreműködése szükséges.

A csigahajtás szíjának levétele

Ha a csiga hajtósíja sérült, akkor a hómáror nem veti ki a havat. A sérült szíjat az alábbiak szerint cserélje

- Csatlakoztassa le a gyertyapipát.
- (22 ábra) Vegye ki a csavarokat (1) az alsó panel (2) két oldalán.
- Lazítsa meg a csavarokat (3) az alsó panel (2) mindkét oldalán.
- Vegye le az **alsó panelt (2)**.
- (18 ábra) Vegye ki a csavart (2) a szíjburkolatból (1). Vegye le a **szíjburkolatot (1)**.
- (19 ábra) Lazítsa meg a **szíjvezetőt (9)**. A szíjvezetőt (9) húzza el a csigahajtás görgőjéről (10).
- A feszítőgörgőt húzza el a csigahajtás szíjától (4), és a szíjat csúsztassa ki a feszítőgörgőből.

8. A szíjat (4) húzza el a motor görgőjéről (11). A szíj (4) levételéhez lehet, hogy a motor görgőjét (11) részben el kell forgatni.
9. **(20 ábra)** Vegye le a csigaházat (22) és a motor tokozását (23) összetartó négy csavart (21). Lazítsa le az **alsó két csavart (24)**. A csigaház (22) és a motor tokozása (23) most a szíj eltávolítása céljából szétszedhető.
10. **(19 ábra)** A régi hajtószíjat (4) vegye le a csigahajtás görgőjéről (10). A hajtószíjat (4) cserélje le eredeti gyári tartalékcsíjjal. Ilyen szíj a legközelebbi felhatalmazott szervizközpontban szerezhető be.
11. Az új szíjat (4) tegye a csigahajtás görgőjére (10).
MEGJEGYZÉS: A csigaház (22) és a motor tokozása (23) összeszereléshez segítő kell igénybevenni, aki a csiga tengelykapcsolókarját az ENGAGED (összekapcsolt) pozícióban tartja. Ennek hatására a szabadonfutó kar és görgő (3) elegendően elmozdul ahhoz, hogy a csigahajtás görgője (10) a helyére kerülhessen.
12. Szerelje össze a **csigaházat (22)** és a **motor tokozását (23)** azzal a **négy csavarral (21)**, amelyet a 9. lépésben levett. Húzza meg az **alsó két csavart (24)**.
13. A hajtószíjat (4) húzza fel a motor görgőjére (11).
14. A hajtószíjat (4) csúsztassa be a feszítőgörgő (3) alá.
15. Állítsa be a **csigahajtás szíját (4)**. Lásd a Karbantartás fejezet „A csiga hajtószíjának beállítása” című részét.
16. Állítsa be a **szíjvezetőt (9)**. Lásd a Karbantartás fejezet „A szíjvezető beállítása” című részét.
17. **(18 ábra)** Szerelje fel a **szíjburkolatot (1)**. A **csavart (2)** húzza meg.
18. **(22 ábra)** Szerelje fel az **alsó panelt (2)**.
19. Szerelje be a csavarokat (1) az alsó panel (2) mindkét oldalán.
20. Húzza meg a csavarokat (1) (3) az alsó panel (2) két oldalán.
21. Ellenőrizze a kábelek beállítását. Lásd a Karbantartás fejezet „A kábelek ellenőrzése és beállítása” című részét.
22. Csatlakoztassa a gyertyapipát.

A kerékajtás szíjának levétele

Ha a hómáró nem halad előre, akkor ellenőrizze, hogy a kerékajtás szíja nem kopott vagy sérült-e. Ha a kerékajtás szíja kopott vagy sérült, akkor cserélje a szíjat.

1. Csatlakoztassa le a gyertyapipát.
2. Vegye le a csigahajtás szíját. Lásd a Karbantartás fejezet „A csigahajtás szíjának levétele” című részét.
3. **(19 ábra)** Vegye le a rögzítőrudat (18) egyik végéről a Seeger-gyűrűt (17). Húzza ki a rögzítőrudat (18), hogy a burkolat előredőlhessen.
4. Vegye ki a **kerékajtás rugóját (16)**.
5. A régi hajtószíjat (13) vegye le a kerékajtás görgőjéről (14) és a motor görgőjéről (15). A hajtószíjat (13) cserélje le eredeti gyári tartalékcsíjjal. Ilyen szíj a legközelebbi felhatalmazott szervizközpontban szerezhető be.
6. Az új hajtószíjat (13) tegye fel a kerékajtás görgőjére (14) és a motor görgőjére (15).

7. A kerékajtás feszítőgörgőjének (12) megfelelően igazodnia kell a kerékajtás szíjához (13).
8. Tegye vissza a **kerékajtás rugóját (16)**.
9. Tolja be a rögzítőrudat (18), és rögzítse azt a korábban levett Seeger-gyűrűvel (17).
10. **(32 ábra)** A burkolat (20) alsó részének a két pozicionáló fül (19) között kell lennie. Ellenőrizze, hogy a burkolat (20) megfelelően rögzül-e.
MEGJEGYZÉS: Ha a kerékajtás szíjának cseréje után a hajtás nem működik, akkor ellenőrizze, hogy a burkolat a pozicionáló fülek (19) között van-e.
11. **(19 ábra)** Szerelje fel és állítsa be a **csigahajtás szíját (4)**. Lásd a Karbantartás fejezet „A csigahajtás szíjának levétele” című részét.
12. Állítsa be a **szíjvezetőt (9)**. Lásd a Karbantartás fejezet „A szíjvezető beállítása” című részét.
13. **(22 ábra)** Szerelje fel az **alsó panelt (2)**.
14. Húzza meg a csavarokat (3) az alsó panel (2) mindkét oldalán.
15. **(18 ábra)** Szerelje fel a **szíjburkolatot (1)**. A **csavart (2)** húzza meg.
16. Ellenőrizze a kábelek beállítását. Lásd a Karbantartás fejezet „A kábelek ellenőrzése és beállítása” című részét.
17. Csatlakoztassa a gyertyapipát.

A szíjvezető beállítása

1. Csatlakoztassa le a gyertyapipát.
2. **(18 ábra)** Vegye le a **csavart (2)**. Vegye le a **szíjburkolatot (1)**.
3. **(1 ábra)** Nyomja le a csigahajtás karját (5).
4. **(23 ábra)** Mérje le a távolságot a szíjvezető (2) és a csigahajtás szíja (3) között. **A megfelelő távolság 3 mm.**
5. Ha beállításra van szükség, akkor lazítsa meg a szíjvezető (2) rögzítőcsavarját. A szíjvezetőt (2) vigye a megfelelő pozícióba (4). Húzza meg a **szíjvezető (2)** rögzítőcsavarját.
6. **(18 ábra)** Szerelje fel a **szíjburkolatot (1)**. A **csavart (2)** húzza meg.
7. Csatlakoztassa a gyertyapipát.

A dörzskerék beállítása, cseréje

A dörzskerék ellenőrzése

Ha a hómáró nem halad előre, akkor ellenőrizze a kerékajtás szíját, a kerékajtás kábelét, és a dörzskereket. Ha a dörzskerék kopott vagy sérült, cserélje ki. Lásd a Karbantartás fejezet „A dörzskerék cseréje” című részét. Ha a dörzskerék nem kopott vagy sérült, akkor az alábbiak szerint ellenőrizze.

1. **(1 ábra)** A benzintankból ürítse ki a benzint. A hómárót állítsa fel a **csigaház (4)** elülső részére.



VIGYÁZAT: A benzint kültéren, nyílt lángtól távol engedje le.

2. Csatlakoztassa le a gyertyapipát.
3. **(22 ábra)** Vegye ki a csavarokat (1) az alsó panel (2) két oldalán.
4. Lazítsa meg a csavarokat (3) az alsó panel (2) mindkét oldalán.
5. Vegye le az **alsó panelt (2)**.
6. **(1 ábra)** A **váltókart (6)** állítsa a legalacsonyabb előremeneti pozícióba.

7. **(24 ábra)** Mérje fel a **dörzskerék (4) helyzetét**. Megfelelő beállítás esetén a dörzskerék (4) jobb oldalától a motor tokozásának külső részéig terjedő „A” távolság a következő:

Gumiméret	„A” távolság
12 és 13”	10,5 cm (4-1/8”)
16”	10,95 cm (4-5/16”)

Ha a dörzskerék (4) nem a megfelelő pozícióban van, akkor az alábbiak szerint állítsa be.

A dörzskerék beállítása

1. **(1 ábra)** A **váltókart (6)** állítsa a legalacsonyabb előremeneti pozícióba.
2. **(9 ábra)** Lazítsa meg a **sebességváltó karon (2)** levő anyát (9). A gömbcsuklót (6) vegye ki a váltórúdból (7).
3. **(24 ábra)** Vigye a **dörzskereket (4)** a megfelelő helyzetbe.
4. **(9 ábra)** Az **adaptert (10)** forgassa el addig, amíg a gömbcsukló (6) a **váltókar (7) szerelőfuratába nem illeszkedik**. Ha az illeszkedés létrejött, akkor a gömbcsuklót (6) rögzítse a váltórúdhhoz (7).
5. **(22 ábra)** Szerelje fel az **alsó panelt (2)**.
6. Szerelje be a csavarokat (1) az alsó panel (2) mindkét oldalán.
7. Húzza meg a csavarokat (1) (3) az alsó panel (2) két oldalán.

A dörzskerék cseréje

Ha a dörzskerék kopott vagy sérült, akkor a hómáró nem halad előre. A dörzskereket az alábbiak szerint kell cserélni.



VIGYÁZAT: A hajtótárcsát és a dörzskereket ne kenje meg.

1. **(1 ábra)** A benzintankból ürítse ki a benzint. A hómárót állítsa fel a **csigaház (4)** elülső részére.
2. Csatlakoztassa le a gyertyapipát.
3. **(28 ábra)** Vegye ki a **csavarokat (1)** az **alsó panel (2)** két oldalán.
4. Lazítsa meg a **csavarokat (3)** az **alsó panel (2)** mindkét oldalán.
5. Vegye le az **alsó panelt (2)**.
6. **(29 ábra)** Vegye le a **hátsó rögzítőkonzolt (18)**.
7. **(30 ábra)** 3/16”-es imbuszkulccsal szerelje ki a jobb **tengelybilincset (30)** a **tengelyhez (34)** rögzítő kötélemet.
8. Vegye le a **jobb kereket (35)**, a **tengelyt (34)**, a **tengelybilincset (30)** és az **alátétet (31)**.
9. **(28 ábra)** Vegye le a **bal kereket (10)** a **tengelyről (11)**.
10. **(31 ábra)** Vegye le a **tengelytámaszt (32)** a **motor tokozásához rögzítő kötélemeket**. A **tengelytámaszt (32)** vegye le a **perselyről (33)**.
11. Lazítsa ki, de ne vegye le a **tengelycsapágycsavarokat (19)** a motor tokozásához rögzítő csavarokat.
12. A tengelykapcsoló/hajtókerék **egységet (20)** vegye le a **tengelyről (11)**.
13. **(32 ábra)** Vegye le a **csapágycsavarokat (7)** a **hatszögű tengely (8)** két oldalán összetartó **négy csavart (16)**.

14. **(33 ábra)** Vegye ki a **hatszögű tengelyt (8)** és a **csapágyakat (7)**.

MEGJEGYZÉS: Jegyezze meg az alátétek (13) elhelyezkedését.

15. **(26 ábra)** Lazítsa meg a **dörzskereket (5)** az **agyhoz (6)** rögzítő három **kötőelemet (4)**.

16. **(26 ábra)** Vegye le a **dörzskereket (5)** az **agyról (6)**. A **dörzskereket (5)** tolja le le a **hatszögű tengelyről (8)**.

17. Az új **dörzskereket (5)** a korábban levett kötőelemekkel rögzítse az **agyhoz (6)**.

18. **(33 ábra)** A **hatszögű tengelyt (8)** és a **csapágyakat (7)** szerelje vissza a korábban eltávolított négy csavarral.

Ellenőrizze, hogy az alátétek (17) megfelelően, az eredeti helyükön vannak-e. Ellenőrizze azt is, hogy a két alátét (13) megfelelően illeszkedik-e a kioldókarokhoz (14).

19. Ellenőrizze, hogy a **hatszögű tengely (8)** szabadon foroghat-e.

20. A többi alkatrész felszereléséhez fordított sorrendben hajtsa végre a fentieket.

21. Ellenőrizze a dörzskerék beállítását. Lásd a jelen fejezetet „A dörzskerék beállítása” című részét.

22. A dörzskerék és a hajtótárcsa zsír- és olajmentes kell, hogy legyen.

23. **(28 ábra)** Szerelje fel az **alsó panelt (2)**.

24. Szerelje be a **csavarokat (1)** az alsó **panel (2)** mindkét oldalán.

25. Húzza meg a **csavarokat (1) (3)** az alsó **panel (2)** két oldalán.

26. Csatlakoztassa a gyertyapipát.

A csiga elnyíró csavarjainak cseréje

A csigákat a csigatengelyhez speciális elnyíró csavarok rögzítik. A gép védelmében az elnyíró csavarok szándékosan eltörnek, ha a csigaházba beszorul valamilyen tárgy. Ne szereljen be erősebb csavart, mert az lehetetlenné teszi ezt a védelmet.



VIGYÁZAT: Biztonsági okokból, és a gép védelme érdekében csak az eredeti elnyíró csavarokat használja.

Az elnyíró csavarok cseréjekor az alábbiak szerint járjon el. Az alkatrészes zacskóban tartálék elnyíró csavarok is találhatóak.

1. **(1 ábra)** Vigye a **gázkart (13)** a leállítási helyzetbe. Engedje el az összes kezelőszervet.

2. Csatlakoztassa le a gyertyapipát. Ellenőrizze, hogy minden mozgó rész megállt-e.

3. **(14 ábra)** A zsírzógombnál (1) - ha van - zsírpisztollyal kenje meg a csigatengelyt.

4. **(25 ábra)** A csigában levő furatot állítsa a csigatengelyben levő furathoz. Szerelje be az új elnyíró csavart (2), távtartót (3) és rögzítőanyát (4).

MEGJEGYZÉS: Ha az adott modell 33"-es (84 cm) csigaházzal rendelkezik, akkor a távtartóra (3) nincs szükség.

5. Csatlakoztassa a gyertyapipát.

A hómárió előkészítése tároláshoz



VIGYÁZAT: A benzint ne épületen belül, illetve nyílt láng közelében engedje le. A benzingőz ugyanis tűz- és robbanásveszélyt okoz.

Ha a hómárió hosszabb időre kell eltárolni, akkor a fontos karbantartási és tárolási információkat keresse a motor gyártójának használati útmutatójában (egyes modellekhez mellékelve).

1. Engedje le az üzemanyagtartályt.

2. Járassa a motort addig, amíg üzemanyagihiány miatt le nem áll.

3. A hómárió tilos nem üres üzemanyagtartállyal olyan épületen belül tárolni, ahol hőforrás van jelen. Ilyenek a bojlerok, fűtőtestek, ruhaszáritók és hasonlók. Beltéri tárolás előtt várjon, míg a motor lehül.

4. A meleg motorból szívja le az olajat. A motor forgattyúházát töltsse fel új olajjal.

5. Vegye ki a gyújtógyertyát, és öntsön mintegy 29,6 ml motorolajat a hengerbe. Tegye vissza a gyújtógyertyát, és lassan forgassa meg a motort, hogy az olaj eloszoljon.

6. Gondosan tisztítsa meg a hómárió.

7. Kenjen meg minden kenési pontot. Lásd a Karbantartás fejezetet.

8. Minden anyának és csavarnak megfelelően meghúzott állapotban kell lennie. Minden látható mozgó alkatrészt ellenőrizzen, hogy nincsenek-e rajtuk sérülések, törések, kopások. Szükség esetén cserélje ki őket.

9. A tokozás, csiga és munkakerék szabadon levő fémrészeire vigyen fel rozsdamentesítő aeroszolt.

10. A gépet jó szellőzésű épületben tárolja.

11. Ha a gépet kültéren kell tárolni, akkor bakolja fel a hómárió úgy, hogy az egész gép elemelkedjen a talajtól.

12. A hómárió megfelelő, a nedvességet nem beszívó ponyvával fedje le. Ne használjon műanyagot.

Pótalkatrészek rendelése

A pótalkatrészek vagy a jelen útmutató utolsó oldalain, vagy külön alkatrészkönyvben kerülnek felsorolásra.

Csak a gyártó által engedélyezett vagy jóváhagyott pótalkatrészeket használja. Ne használjon olyan kellékeket vagy tartozékokat, amelyek nem kimondottan ehhez a készülékhez javasoltak. Ahhoz, hogy a megfelelő pótalkatrészeket kapjon, Önnek meg kell adnia a termék modellszámát (lásd az adattáblát).

Pótalkatrészek rendeléséhez lépjen kapcsolatba a helyi márkakereskedővel.

A motor, a sebességváltó, a hajtómű és a differenciálmű pótalkatrészei a gyártó szervizében szerezhetők be. A gyártó szerveze a telefonkönyvből kereshető ki. A pótalkatrészek rendeléséről lásd még a motorra és a sebességváltóra vonatkozó különálló garanciákat.

Rendeléskor az alábbi információk szükségesek:

- (1) Típuszám
- (2) Sorozatszám
- (3) Cikkszám
- (4) Mennyiség

HIBAKERESÉSI TÁBLÁZAT

HIBA	OK	ELHÁRÍTÁS
Nehézkes indulás	Hibás gyújtógyertya.	Cseréljen gyújtógyertyát.
	Víz vagy szennyeződés az üzemanyagrendszerben.	A karburátor leeresztőjén engedje le az üzemanyagot, és töltsse fel tiszta üzemanyaggal.
A motor járása nem megfelelő	Az üzemanyagvezeték eltömődött, a benzintank üres, illetve a benzin nem megfelelő.	Tisztítsa meg az üzemanyagvezetékét; ellenőrizze az üzemanyagellátást; töltsön be friss benzint.
A motor lefullad	A gép a szívató CHOKE állásában jár.	A szívatót állítsa RUN állásba.
A motor járása nem megfelelő; Teljesítménycsökkenés	Víz vagy szennyeződés az üzemanyagrendszerben.	A karburátor leeresztőjén engedje le az üzemanyagot, és töltsse fel tiszta üzemanyaggal.
Túlzott rezgés	Lelazult alkatrészek: sérült munkakerék.	Azonnal állítsa le a motort és csatlakoztassa le a gyertyapipát. Húzza meg az összes csavart, és végezze el a szükséges javításokat. Ha a rezgés folytatódik, akkor szerelővel javíttassa meg a gépet.
A gép nem képes előrehaladni	A hajtósíj meglazult vagy sérült.	Cserélje ki a hajtósíját.
	A kerékajtás kábelének beállítása hibás.	Állítsa be a kerékajtás kábelét.
	Kopott vagy sérült dörzskerék.	Cserélje ki a dörzskereket.
A gép nem veti ki a havat	A csiga hajtósíja meglazult vagy sérült.	Állítsa be, szükség esetén cserélje a csiga hajtósíját.
	A csigahajtás vezérlőkábelének beállítása nem megfelelő.	Állítsa be a csigahajtás kábelét.
	Egy elnyíró csavar eltörött.	Cserélje ki az elnyíró csavart.
	A kivetőakna eltömődött.	Azonnal állítsa le a motort és csatlakoztassa le a gyertyapipát. Tisztítsa meg a kivetőakna és a csigaház belsejét.
	Idegen tárgy a csigában.	Azonnal állítsa le a motort és csatlakoztassa le a gyertyapipát. Távolítsa el a tárgyat a csigából.

OBSAH

VAROVNÉ ZNAČKY A JEJICH VÝZNAM	144
OPERAČNÍ ZNAČKY A JEJICH VÝZNAM	144
MONTÁŽ	149
OVLÁDÁNÍ	149
PLÁN ÚDRŽBY	152
ÚDRŽBA	152
PLÁN ŘEŠEN PROBLÉMŮ	156

Obrázky (Například: Obrázek 1) se nacházejí na předním a zadním obalu tohoto návodu před seznamem součástek.

Obecné informace

Tento návod je určený pro osoby s určitým stupněm technických schopností. Jako u většiny servisních návodů v něm nejsou popsány všechny kroky. Postup na uvolnění či utáhnutí šroubů mohou být sledovány kýmkoli s mechanickými dovednostmi. Prosím, přečtěte si tento návod před použitím jednotky a dodržujte ho.

Seznámení s výrobkem: Jestliže znáte celý výrobek a rozumíte tomu, jak pracuje, získáte tak nejlepší výkon. Při čtení tohoto návodu porovnejte ilustrace s výrobkem. Zapamatujte si uložení a funkci ovládání. K prevenci nehod dodržujte pokyny uvedené v tomto návodu a bezpečnostní pravidla. Návod si uschovejte pro pozdější možné reference.

DŮLEŽITÉ: Mnohé výrobky nejsou smontované a jsou prodávány zabalené v krabicích. Odpovědností majitele je zajistit, že při jejich montáži jsou přesně dodržovány zde uvedené postupy. Některé jednotky jsou dodané již smontované. U smontovaných jednotek je majitel zodpovědný za kontrolu toho, že zařízení bylo správně sestaveno. Majitel musí před prvním použitím pozorně zkontrolovat jednotku podle návodu.

Potřebujete pomoc?

Jestliže potřebujete další informace o sestavení, ovládání nebo servisu vašeho přístroje, kontaktujte vašeho místního prodejce.



Tento návod obsahuje bezpečnostní informace, které vás seznamují s riziky a nebezpečími spojení se sněhovou frézou a jak se jich můžete vyvarovat. Sněhová fréza je určena pro odstranění sněhu a neměla by se používat pro žádné jiné účely. Je důležité, abyste si přečetly tento návod a porozuměly mu a aby mu porozuměla i každá jiná osoba používající zařízení.

VAROVÁNÍ

Výfukové plyny z frézy obsahují chemické látky, o kterých je ve státu Kalifornie známo, že způsobují rakoviny, vrozené vady a jiné rozmnožovací problémy.

Signál (NEBEZPEČÍ, VAROVÁNÍ nebo POZOR) je použit s varovnou značkou k upozornění na pravděpodobnost a možnost vážnosti poškození. Značka hazardu může být navíc použita k reprezentaci typu rizika.



NEBEZPEČÍ ukazuje riziko, které, jestliže se mu nevyvarujete, **povede ke smrti nebo vážnému poranění.**



VAROVÁNÍ ukazuje riziko, které, jestliže se mu nevyvarujete, **by mohlo vést ke smrti nebo vážnému poranění.**



POZOR ukazuje riziko, které, jestliže se mu nevyvarujete, **může vést k menším poraněním.**
POZOR použité **bez** varovného symbolu ukazuje na situaci, **která může vést k poškození zařízení.**

Ovládání a vlastnosti zařízení (viz Obrázek 1)

Ovládání trakčního pohonu (1) - Vyberte směr pohybu vpřed či zpět.

Montáž hřídele (2) - Změní směr výsypného žlabu.

Odklánění žlabu (3) - Změní vzdálenost odhazování sněhu.

Výsypný žlab (4) - Změní směr odhazování sněhu.

Klika šneku (5) - Spustí a zastaví šnek (sběr a odhazování sněhu), který pohání frézu.

Ovládání rychlosti (6) - Vyberte rychlost sněhové frézy.

Smyky nastavení výšky (7) - Nastavte vzdálenost umístění šneku od země.

Řezače závějí (18) - (jestliže ve vybavení) Prořezávají cestu skrze snih vyšší než umístění šneka.

Upevňovací šrouby (19) - K ochraně stroje jsou šrouby postaveny tak, aby se zlomily, jestliže dojde k zablokování předmětu v umístění šneka. Použití tvrdších šroubů poruší ochranu poskytovanou upevňovacími šrouby.

Páka dálkového ovládání posuvníku (20) - Kontroluje vzdálenost odhozeného sněhu.

Vypínač ohřívání držadel (21) - Zapne ohřívání držadel.

Vlastnosti motoru

Bezpečnostní klíč (8) - Musí být vložen k nastartování motoru.

Tlačítko přípravy (9) - Vstříkne palivo přímo do karburátoru pro rychlejší spuštění ve studeném počasí.

Tlačítko elektrického startéru (10) - Používá se k nastartování motoru v režimu elektrického startování.

Krabička spínače (11) - U modelů s elektrickým startérem se používá k upevnění elektrického kabelu s 220 volty.

Manuální ovládání startéru (12) - Použijte k manuálnímu spuštění motoru.

Páčka plynu (13) - (je-li součástí stroje) Kontroluje rychlost motoru.

Vypínač (13) - (je-li součástí stroje) Slouží k vypnutí motoru.

Sytič (14) - Používejte k nastartování studeného motoru.

Varovné značky a jejich význam

Tyto značky jsou použité na vašem zařízení a definované v návodu k použití. Proberte si jejich význam a rozumějte mu. Použití těchto značek společně se signálovými slovy vás upozorní na možná nebezpečí a jak se jim můžete vyvarovat.

	Bezpečnostní upozornění - Ukazuje bezpečnostní informace o riziku, které může vést k poraněním.
	Návod k použití - Přečtěte si ho a porozumějte mu před jakýmkoli použitím zařízení.
	Rotující šnek
	Rotující poháněč
	Toxické výpary
	Rotující rychlosti
	Vyhazované předměty
	Udržujte si bezpečnou vzdálenost od zařízení.
	Nikdy se nedotýkejte rotujících součástí.
	Před jakoukoli údržbou nebo opravami vypněte motor a odstraňte připojení svíček.
	Oheň
	Exploze
	Šok
	Horký povrch

Operační značky a jejich význam

Tyto značky jsou použité na vašem zařízení a definované v návodu k použití. Je důležité, abyste si je prohlédli a porozuměli jim. Jestliže jim neporozumíte, může vás to poškodit.

	Olej		Vpřed
	Palivo		Neutrál
	Zapnuto Vypnuto		Zpátečka
	Kontrolka přípravy		Zapalování zapnuté
	Plyn		Zapalování vypnuté
	Vypnutý sytič		Klíček zapalování
	Zapnutý sytič		Stisknout k aktivaci elektrického startování
	Zastavit		Elektrické startování
	Pomalu		Startování motoru
	Rychle		Běh motoru
	Aktivovat		Vypnutý motor
	Tah		
	Šnekový sběrač		
	Spojka šneku		
	Spojka řízení		
	Aktivovat		
	Deaktivovat		
	Odpadový žlábek		Usměrňovač žlábků
	DOLEVA		DOPRAVA
	NAHORU		DOLŮ



! NEBEZPEČÍ

Vyvarujte se nebezpečí smrti nebo vážného zranění od rotujícího šneku. Uchovejte ruce, nohy a oděv z dosahu. Čištění odpadového žlábků je nebezpečná činnost.

- Nikdy se nepokoušejte vyčistit šneka od odpadu nebo ucpaného sněhu, pokud je zařízení stále zapnuté a běží motor.
- Při údržbě zařízení zastavte motor a odpojte připojení svíček.
- Jestliže běží motor, nikdy neopouštějte zařízení bez dozoru. Vždy deaktivujte šneka a kontrolu trakce, vypněte motor a vydejte klíčky.
- Udržujte děti, zvířata a jiné z dosahu operačního prostoru přístroje. Zařízení často přitahuje děti. Mějte na paměti všechny přítomné osoby.
- Udržujte všechny volné oděvy z dosahu přední části frézy a šneku. Šály, rukavice, šňůrky a volné oděvy se mohou rychle zachytit v rotujícím zařízení a může dojít k amputacím. Svažte si dlouhé vlasy a odstraňte šperky.
- Sněhová fréza je určena pouze pro odstraňování sněhu. Nepoužívejte ji pro žádné jiné účely.
- Sníh neodstraňujte napříč svahů. Budte zvláště opatrní při změně směru na svahu. Nepokoušejte se odstraňovat sníh na příklých svazích.
- Sněhovou frézu nepoužívejte na površích nad zemí — jako například na střechách obytných budov, garáží, verand nebo na jiných takových budovách.



! NEBEZPEČÍ

Šnek může sebrat předměty a vyhodit je ze žlábků. Sníh nikdy neodhazujte směrem na lidi či auta a nikdy nedovolte nikomu stát před frézou.

- Při práci dávejte pozor na okolí. Přejezd přes předměty jako kameny, rohožky, noviny, hračky ukryté pod sněhem může vést k jejich vyhození nebo k ucpaní šneka.
- Vždy dbejte na směr odhazování sněhu. Může dojít k poškození blízkých chodců, zvířat a budou odhozenými předměty.
- Seznamte se s místem, kde budete pracovat. Označte si hranice chodníků a vjezdů, abyste předešli škodám od vyhozených předmětů.
- Zvláště dávejte pozor při odstraňování sněhu v neznámé oblasti. Sledujte možná rizika a dopravu.
- Po zasažení cizího předmětu vypněte motor, vyčkejte, než se všechny pohyblivé části zastaví, a zkontrolujte poškození. Jestliže došlo k poškození, opravte ho před dalším použitím frézy.
- Před čištěním žlábků vždy vypněte motor a vyčkejte, než se zastaví všechny pohyblivé části.
- Jestliže se jednotka neobvykle třese, vypněte motor. Vibrace jsou normálně známkou problému. Jestliže je to nutné, vyhledejte autorizovaného zástupce pro opravu.



! NEBEZPEČÍ

Odpadový žlab má rotor k odhazování sněhu. Žlab se nikdy nesnažte vyprázdnit či uvolnit holýma rukama nebo když přístroj běží.

Velice rychle může dojít k zachycení prstů a jejich amputacím či vážným poraněním.

- Čištění odpadového žlábků je nebezpečná činnost.
- Nikdy nesahejte do žlábků nebo do jeho blízkosti.
- Vypněte motor, vyčkejte, než se zastaví všechny části a pak žlábků vyčistěte s klackem či tyčí.
- Upěchovaný sníh může ukryvat jiné překážky a způsobit tak poškození zařízení, rotoru či šneka. Při opětovném spuštění přístroje po odstranění sněhu dávejte pozor.



! VAROVÁNÍ

Z motoru vychází oxid uhelnatý (bezbarvý nezapáchající otravný plyn). Vdechování oxidu uhelnatého může vést k nevolnostem, mdlobám nebo smrti.

- Startujte a provozujte venku.
- Motor nespouštějte uvnitř, i když jsou otevřená okna a dveře.



VAROVÁNÍ



Benzín a jeho páry jsou velice hořlavé a výbušné.

Oheň či exploze mohou způsobit vážné popáleniny nebo smrt.

TANKOVÁNÍ

- Vypněte motor a nechte ho vychladit alespoň po dobu 2 minut před odstraněním uzávěru.
- Tankujte venku nebo v dobře ventilovaném prostoru.
- Nádrž nepřepĺňujte.
- Benzín udržujte mimo otevřený oheň, jiskry, pilotní světla, teplo nebo jiné zdroje vzplanutí.
- Palivové trubičky, nádrž a uzávěr často kontrolujte pro známky poškození. Jestliže je to nutné, nahraďte je novými.

PŘI SPUŠTĚNÍ MOTORU

- Zkontrolujte si, že svíčky, dusítko, uzávěr nádrže a filtr jsou na svém místě.
- Nestartuje s odstraněnými svíčkami.
- Jestliže dojde k rozliti paliva, před dalším startováním vyčkejte, než znovu vyschne.
- Jestliže dojde k zahlcení motoru, nastavte sytič do polohy OPEN/RUN (Otevřít/Spustit), pak umístěte plyn do FAST (Rychle) a opakujte startování, dokud motor nespustí.

PŘI POUŽITÍ

- Nehaste karburátor k zastavení motoru.

PŘI PŘEPRAVĚ ZAŘÍZENÍ

- přepravujte s PRÁZDNOU nádrží.

PŘI SKLADOVÁNÍ S PLNOU NÁDRŽÍ

- Skladujte odděleně od kamen, trub, ohřivačů vody či jiných zařízení, která mají pilotní světlo nebo jiný zdroj vznětu, protože by mohlo dojít ke vznícení benzínových plynů.

PRÁVIDLA PRO BEZPEČNÉ ZACHÁZENÍ



VAROVÁNÍ: Toto zařízení je schopné amputovat ruce a nohy a odhazovat předměty. Přečtěte si prosím bezpečnostní pokyny a dodržujte je. Jestliže pokyny nebudete dodržovat, může to vést ke ztrátě kontroly nad přístrojem, závažným poraněním či smrti u vás či blízko stojících osob nebo k poškození majetku či zařízení. Trojúhelník v textu znamená důležité upozornění nebo varování, které je nutno dodržet.

Bezpečné zacházení se sněhovou frézou

DŮLEŽITÉ: Bezpečnostní pravidla si vyžadují přítomnost kontroly obsluhy, aby se tak riziko poranění snížilo na minimum. Vaše sněhová fréza má takové ovladače. V žádném případě se nepokoušejte překonat funkci kontroly přítomnosti operátora.

Školení

1. Před použitím tohoto přístroje si přečtěte, porozumějte a dodržujte všechny pokyny na zařízení a v manuálu. Důkladně se seznamte s ovládáním a řádným použitím zařízení. Ujistěte se, že víte, jak rychle přístroj zastavit a deaktivovat.
2. Nikdy nedovolte, aby s přístrojem zacházely děti. Nikdy nedovolte, aby s přístrojem zacházeli dospělí bez řádných pokynů.
3. Udržujte pracovní oblast bez osob, zvláště pak malých dětí, a zvířat.
4. Dávejte pozor, abyste předešli uklouznutí nebo pádu, zvláště pak při zpětném pohybu.

Příprava

1. Důkladně prohlédněte oblast, kde zařízení budete používat, a odstraňte všechny rohožky, saně, prkna, dráty a jiné cizí předměty.
2. Před nastartováním motoru vyřaďte rychlosti a přejděte do neutrálu.
3. Zařízení nepoužívejte bez vhodného venkovního zimního oblečení. Používejte boty, které vám poskytnou oporu i na kluzkém povrchu. Vyvarujte se volného oblečení, které se může uchytit v pohyblivých částech.
4. Opatrně zacházejte s palivem, jelikož je velice hořlavé.
 - a. Používejte schválenou nádobu na palivo.
 - b. Palivo nikdy nepřidávejte k běžícímu nebo horkému motoru.
 - c. Nádrž velice opatrně naplňujte venku. Nádrž nikdy nenaplňujte uvnitř. Bezpečně zpět namontujte uzávěr paliva a utřete rozlité palivo.
 - d. Nádoby nikdy neplňte uvnitř vozidla nebo na nákladním vozidle či přívěsu s plastovou výplní. Před plněním vždy nádobu umístěte na zem, pryč od vozidla.
 - e. Jestliže je to možné, odstraňte zařízení z vozidla nebo návěsu a naplňte ho na zemi. Jestliže to není možné, tak pak ho naplňte na přívěsu s přenosnou nádobou, spíše než přímo z adaptéru benzínu.
 - f. Udržujte kontakt mezi nálevkou a okrajem nádrže nebo otvorem nádoby do té doby, než je tankování ukončené. Nepoužívejte uzamykatelné adaptéry.
 - g. Bezpečně zpět namontujte uzávěr paliva a utřete rozlité palivo.
 - h. Jestliže došlo k rozlítí paliva na oblečení, okamžitě se převlečte.
5. Používejte prodlužovací kabely a přípojky, které jsou specifikované výrobcem pro všechny jednotky s elektrickými motory nebo elektrickým startováním motoru.
6. Nastavte umístění sběrače tak, aby se nedotýkal šterku nebo povrchů z rozbitých kamenů.
7. Nikdy se nepokoušejte provést žádné změny, zatímco běží motor (kromě těch případů, kdy to doporučil výrobce).

8. Před začátkem odklízení sněhu vyčkejte, než se motor a fréza přizpůsobí venkovní teplotě.
9. Při obsluze nebo nastavení či opravách vždy používejte ochranné brýle nebo ochranu očí, abyste si ochránili oči od cizích předmětů, které mohou být odhozeny z přístroje.
10. Frézu nikdy nepoužívejte bez řádných krytů a jiných ochranných pomůcek.

Ovládání

1. Pod rotující části či do jejich blízkosti nedávejte ruce nebo nohy. Nikdy neblokujte výstup.
2. Dávejte si velký pozor při překračování vjezdů, chodníků či silnic. Sledujte možná rizika a dopravu.
3. Po zasažení cizího předmětu zastavte motor, odstraňte kabel svíčky, odpojte připojení elektrických motorů, důkladně frézu prohlédněte pro známky jakéhokoli poškození, a před nastartováním a dalším použitím opravte jakékoli škody.
4. Jestliže se jednotka neobvykle třese, zastavte motor a okamžitě zkontrolujte, co to způsobilo. Vibrace jsou normálně známkou problému.
5. Kdykoli opustíte operační pozici, před uvolňováním poháněče či sběrače nebo nosníku a před jakýmkoli opravami, úpravami a inspekce vypněte motor.
6. Jestliže provádíte čištění, opravy nebo inspekce, přezkontrolujte, že sběrač/poháněč a všechny pohyblivé části se zastavily. Odpojte kabel svíčky a udržujte ho z dosahu, aby nedošlo k náhodnému nastartování.
7. Motor nespouštějte uvnitř, kromě toho, když je tomu tak kvůli převozu frézy z/do budovy. Otevřete dveře ven; výfukové plyny jsou nebezpečné (obsahují OXID UHELNATÝ, OTRAVNÝ PLYN BEZ ZÁPACHU).
8. Buďte zvláště opatrní při pohybu na svahu. Nepokoušejte se odstraňovat sněh na příkrých svazích.
9. Frézu nikdy nepoužívejte bez řádných krytů a jiných ochranných pomůcek.
10. Výstup z frézy nikdy nesměřujte na lidi nebo do míst, kde by mohlo dojít ke škodám. Udržujte děti a ostatní z dosahu.
11. Nepřekročte kapacitu stroje tím, že se budete pokoušet sněh odklízet příliš rychle.
12. Přístroj nikdy nepoužívejte za velké rychlosti na kluzkém povrchu. Při zpátečním pohybu kontrolujte, co je za vámi, a dávejte pozor.
13. Jestliže se fréza nepoužívá nebo je převážena, deaktivujte pohon sběrače/rotoru.
14. Používejte pouze doplňky schválené výrobcem sněhové frézy (jako např. kabiny, sněhové řetězy, atd.).
15. Frézu nikdy nepoužívejte za špatné viditelnosti nebo bez světla. Vždy se ujistěte o dobrém podkladu a udržujte si pevné uchycení držadel. Jděte, nikdy neběhejte.
16. Nedotýkejte se horkého motoru nebo tlumiče.
17. Se sněhovou frézou nikdy nepracujte poblíž sklem ohrazených prostor, automobilů, oken a podobných bez toho, abyste nejdříve upravili úhel odpadového nosníku.
18. Odpad nikdy nesměřujte na okolostojící a nikomu nedovolte stát před přístrojem.
19. Nikdy nenechte běžící přístroj bez dozoru. Vždy deaktivujte šneka a kontrolu trakce, vypněte motor a vyndejte klíčky.
20. S přístrojem nezacházejte pod vlivem alkoholu nebo léků.

21. Pamatujte si, že obsluha je zodpovědná za nehody či poškození.
22. Dostupná data ukazují, že obsluha ve věku 60 let a starší je přítomná ve větší části poranění spojených s poháněnými stroji. Tato obsluha musí zhodnotit své schopnosti bezpečně ovládat zařízení tak, aby ochránila sebe i ostatní před poraněním.
23. NENOSTE dlouhé šály nebo volné oblečení, které by se mohlo zamotat v pohyblivých částech.
24. Sníh může ukryvat překážky. Ujistěte se, že jste z odklizené oblasti odstranili všechny překážky.

Děti

Jestliže si obsluha neuvědomí přítomnost dětí, může dojít k tragickým nehodám. Děti jsou často přitahovány k jednotce a k její činnosti. Nikdy se nedomnívejte, že děti zůstanou tam, kde jste je naposledy viděli.

1. Udržujte děti z oblasti a pod řádným dozorem jiné dospělé osoby.
2. Dávejte pozor a přístroj vypněte, jestliže se poblíž objeví děti.
3. Nikdy nedovolte, aby s přístrojem zacházely děti.
4. Jestliže se blížíte do zatáček, kde nevidíte, ke keřům, stromům nebo jiným předmětům, které omezují vaši viditelnost, dávejte prosím zvýšený pozor.

Čištění ucpaného odpadového nosníku

Nejčastější poranění při použití sněhové frézy vznikají při kontaktu rukou s poháněčem odpadového nosníku. K čištění odpadového nosníku nikdy nepoužívejte holé ruce.

Před čištěním nosníku:

1. VYPNĚTE MOTOR.
2. Vyčkejte 10 sekund, abyste si byli jistí, že poháněč se zcela zastavil.
3. Vždy používejte náradí k vyčištění, nikdy nepoužívejte ruce.

Servis, údržba a skladování

1. Pravidelně kontrolujte všechny šrouby, zda jsou správně utažené, abyste se ujistili, že zařízení je v bezpečném pracovním stavu.
2. Frézu nikdy neukládejte s benzínem v nádrži v budově, kde jsou zdroje vzplanutí jako například ohřívačů vody nebo sušiček. Vyčkejte, až motor vychladne, než ho uložíte v uzavřeném prostoru.
3. Jestliže má být fréza uložena po delší dobu, vždy přezkontrolujte důležité údaje v manuálu.

4. Udržujte bezpečnostní nálepky a, jestliže je to nutné, vyměňte je.
5. Po ukončení odstraňování sněhu frézou nechte několik minut běžet, aby se předešlo zamrznutí sběrače.
6. Jestliže došlo k rozliti paliva, nepokoušejte se nastartovat motor, ale odstraňte přístroj z místa rozliti a vyvarujte se tvorbě jakýchkoli zdrojů ohně do té doby, než dojde k odchodu par paliva.
7. Vždy dodržujte bezpečné doplňování paliva a zacházení s palivem při tankování jednotky po přepravě nebo skladování.
8. Před skladováním frézy vždy následujte pokyny výrobce pro přípravu ke skladování.
9. Když začnete frézu opět používat, vždy dodržujte pokyny pro řádně-spuštění.
10. Udržujte matice a šrouby utažené a udržujte zařízení v dobrém stavu.
11. Nikdy neměňte bezpečnostní zařízení. Jejich řádnou funkci pravidelně kontrolujte a, jestliže řádně nefunguje, proveďte nutné opravy.
12. Součástky jsou předmětem opotřebování, poškození nebo zhoršení časem. Součástky často kontrolujte a nahraďte je doporučenými součástkami výrobce, jestliže je to nutné.
13. Pravidelně kontrolujte funkci ovládání. Jestliže je to nutné, opravte a proveďte servis.
14. Při provádění oprav používejte pouze náhradní díly schválené výrobcem.
15. Při všech nastaveních a úpravách vždy dodržujte výrobní specifikace.
16. Pro větší servis a opravy by měla být používána pouze schválená servisní centra.
17. Jestliže jste k tomu nebyli řádně vyškoleni, pak se nikdy sami nepokoušejte provést žádné větší opravy. Špatný postup při opravách může vést k nebezpečné funkci, poškození zařízení a porušení záruky výrobce.

Emise

1. Výfukové plyny z tohoto výrobku obsahují chemické látky, o kterých je známo, že v určitém množství způsobují rakovinu, vrozené vady či poruchy reprodukčního systému.
2. Jestliže jsou dostupné, prostudujte si daná informace o době trvání emisí a vzdušném indexu na emisní nálepce motoru.

Systém zapalování

1. Toto jiskrové zapalování splňuje požadavky kanadských předpisů ICES-002.

MONTÁŽ

Přečtěte si a dodržujte návod k montáži a úpravám pro vaši sněhovou frézu. Všechna upevnění jsou v obalu se součástkami. Nezbavujte se žádných částí nebo materiálů do té doby, než bude celá jednotka sestavená.



VAROVÁNÍ: Před jakoukoli montáží nebo údržbou sněhové frézy nejdříve odstraňte dráty svíček.

POZNÁMKA: V tomto návodu je na levé a na pravé straně popsáno umístění součástek z pohledu obsluhy při stání za jednotkou.

POZNÁMKA: Jednotkou točivého momentu je Newton metr. Popisuje, jak upevněná musí být matice nebo šroub. Točivý moment se měří s momentovým klíčem.

POZNÁMKA: Upevnění a volné součástky jsou zobrazeny v plné velikosti na Obrázku 2 na stránce 175.

POZNÁMKA: Ilustrace se nacházejí na stránce 2 a stránkách od 176 až do 181.

Potřebné nářadí

- 1 Nůž
- 1 Kombinačky
- 2 Klíč – ukončení 1/2
- 2 klíč – ukončení 9/16
- 2 klíč – ukončení 3/4
- 1 Metr nebo pravítko
- 1 Šroubovák

Jak vyndat sněhovou frézu z krabice

- (Obrázek 3)** Sněhová fréza je zobrazena v dodávané poloze.
- Odfižněte všechny čtyři rohy obalu a položte strany obalu na zem nebo použijte rukojeti k vyjmutí krabice.
- Přežte a odstraňte plastická upevnění, která drží hřídel a kontroly rychlosti.
- Najděte všechny části, které byly zabaleny odděleně, a vyjměte je z krabice.
- Vyndejte a odstraňte obalové materiály kolem sněhové frézy.
- (Obrázek 1)** Pro přepravu jsou nastavení výšky (7) připojena k paletě. Odstraňte šroub (17), který přidržuje každé nastavení výšky (7) k paletě.
- Držte spodní držadlo a frézu vytáhněte z krabice.

POZOR: NECOUVEJTE přes kabely.

- Odstraňte obalovací materiály ze součástek držadla.
- Přeřízněte upevnění, která drží kabely spojky (1) u spodního držadla (2). Kabely odstraňte od bedny motoru.

Jak smontovat držadlo

- (Obrázek 4)** Uvolněte, ale neodstraňujte upevnění (1) v horních otvorech spodního držadla (3).
- Uvolněte, ale neodstraňujte upevnění v dolních otvorech spodního držadla (3).
- (Obrázek 1)** Uvedte spojku (6) do první polohy vpřed.
- (Obrázek 4)** Zvedněte vrchní držadlo (2) do funkční polohy.

POZNÁMKA: Ujistěte se, že kabely nejsou zachyceny mezi horním a spodním držadlem.

- Upevněte upevnění, které byly odstraněny v kroku 2. NEUTAHUJTE do té doby, než jsou všechna upevnění na místě.
- Utáhněte všechna upevnění držadla.

Jak instalovat tyč kontroly rychlosti

- (Obrázek 9)** Připojte kulový kloub (6) umístěný na spodním konci tyče kontroly rychlosti (2) k úplnému třmenu (7). Upevnění (8) jsou připojena ke kulovému kloubu (6) v továrně.

Délka kulového kloubu (6) a tyče kontroly rychlosti (2) byly předem nastaveny v továrně. Jestliže je nutná úprava, uvolněte matici (9). Odstraňte upevnění (8) k uvolnění kulového kloubu (6) od úplného třmenu (7). K prodloužení či zkrácení tyče kontroly rychlosti (2) otočte adaptér (10) k získání správné délky.

- (Obrázek 12)** Připojte držadlo (11) na páku výběru rychlosti (5). Na některých modelech je držadlo (11) připojené. K uzamčení v pozici utáhněte matici (10) na spodní straně držadla (11).
- Ujistěte se, že páka volby rychlosti (5) správně pracuje. Páku volby rychlosti (5) proveďte skrze všechny rychlosti.

Jak nainstalovat knoflíky

POZNÁMKA: Jestliže jsou knoflíky již nainstalované, přejděte k další části.

Knoflík dálkového ovládání posuvníku (Obrázek 12)

- Smontujte knoflík dálkového ovládání posuvníku (1) na páku (3) to té doby, až bude pevně na matici (2). Na některých modelech je knoflík dálkového ovládání posuvníku (1) připojený.
- Ujistěte se, že převis (4) na knoflíku dálkového ovládání posuvníku (1) směřuje směrem k motoru.
- Utáhněte matici (2) k spodní straně knoflíku dálkového ovládání posuvníku (1).

Jak sestavit deflektor odhrnovače

- (Obrázek 6)** Odstraňte vratový šroub (1).
- Zvedněte deflektor odhrnovače (2) do funkční polohy (3).
- Utáhněte deflektor odhrnovače (2) k přírubě (4) s pomocí vratových šroubů (1). Ujistěte se, že hlavice vratových šroubů (1) jsou uvnitř příruby (2).
- Upevněte je s podložkami (5) a maticemi (6).
- Bezpečně utáhněte matice (6).

POZNÁMKA: Ujistěte se, že všechny šrouby v přírubě jsou utaženy. NEPŘETAHUJTE.

Zkontrolujte kabely

- (Obrázek 8)** Zkontrolujte hnací kabel (1) a kabel šneku (2). Jestliže je spodní strana kabelů odpojená, znovu je připojte.
- (Obrázek 10)** Jestliže se vrchol kabelů (5) odpojil odpák (6), připojte kabely (5) k připojení Z (7).

Jak nastavit výšku smyky (Obrázek 1)

Sněhová fréza je vybavena výškově nastavitelnými smykami (7) upevněnými na vnější straně bedny šneku (4). K úpravě výšky smyků dodržujte pokyny v manuálu pod částí „Jak nastavit výšku smyků“.

Jak nastavit délku kabelů

Kabely byly upraveny v továrně a neměla by být nutná jejich další úprava. Když jsou všechna držadla uvedena do funkční polohy, kabely být příliš utažené nebo volné. Jestliže je nutná úprava, dodržujte prosím pokyny uvedené v „Jak zkontrolovat a upravit kabely“ v části Servis a úprava.

Jak sestavit řezač závějí (je-li součástí stroje)

Řezače závějí se používají k prohrnutí cesty ve sněhu hlubším než bedna šneku.

- (Obrázek 11)** Uvolněte koidlové matice (2), které upevňují ozaee závějí (1) k bedně šneku.
- Zvedněte řezače závějí (1) do požadované výšky.
- Utáhněte koidlové matice (2).

Jak připravit motor

POZNÁMKA: Motor byl vyexpedován z továrny naplněný olejem. Zkontrolujte množství oleje. Jestliže je to nutné, přidejte olej.



VAROVÁNÍ: Dodržujte návod výrobce motoru týkající se druhu paliva a oleje. Vždy používejte bezpečnostní nádobu na palivo. Při plnění paliva do nádrže nekuřte. Jestliže jste v uzavřeném prostoru, nářz neplňte palivem. Před přidáním paliva zastavte motor. Vyčkejte, než dojde k vychladnutí motoru.

Zkontrolujte olej. Prohlédněte si návod výrobce motoru týkající se druhu paliva a oleje. Před použitím jednotky si přečtěte informace týkající se bezpečnosti, údržby a skladování.

Důležité! Před použitím

- Zkontrolujte upevnění. Zkontrolujte, že všechna upevnění jsou upevněná.
- U modelů s elektrickým startérem je jednotka expedována s kabelem startéru v motoru. Před použitím vyndejte kabel startéru z motoru.

OVLÁDÁNÍ

POZNÁMKA: Ilustrace se nacházejí na stránce 2 a stránkách od 176 až do 181.

POZOR: Používejte pouze doplňky, které byly schváleny výrobcem sněhové frézy (jako například sněhové řetězy, elektrická startovací sada, apod.)

Rozumějte vaší sněhové fréze (Obrázek 1)

Před zacházením se sněhovou frézou si přečtěte tento Návod a bezpečnostní pravidla. Ilustrace v návodu porovnejte s vaší frézou, abyste se seznámili s polohou různých ovládacích prvků a nastavení.

Jak ovládat výstup sněhu



VAROVÁNÍ: Výstup sněhu nesmí nikdy směřovat na okolostojící.



VAROVÁNÍ: Před čištěním odpadového žlábků nebo šneku a před vzdálením se od frézy vždy zastavte motor.

- (Obrázek 5)** Posunutím přepínače (2) nastavte zleva doprava směr odhazování sněhu.

- Zatáhněte **páku dálkového ovládání posuvníku (17)** zpět k odhazování sněhu vysoko a daleko. Zatlačte **páku dálkového ovládání posuvníku (17)** vpřed k odhazování sněhu níže.

Jak zastavit sněhovou frézu (Obrázek 1)

- K ukončení odhazování sněhu uvolněte kliku **šneka (5)**.
- K zastavení kol uvolněte **uvolněte páku pohonu (1)**.
- Chcete-li zastavit motor u modelů s **plynem (13)**, nejprve posuňte **páčku plynu (13)** do polohy SLOW (pomalu) a poté do pozice STOP.
- K zastavení motoru u modelů s **tlačítkem startéru (13)** posuňte startér do vypnuté polohy.
- Vytáhněte a uložte **bezpečnostní klíč (8)**.

POZOR: Při zastavení motoru neposunujte sytič do polohy aktivního SYTIČE. Může dojít k zpětnému zážehu nebo poškození motoru.

Jak jet dopředu nebo dozadu (Obrázek 1)

- Ke změně rychlosti nejdříve uvolněte **páku pohonu (1)** a pak posuňte **páku změny rychlosti (6)** na požadovanou rychlost.
- Pozemní rychlost je ovlivněna sněhovými podmínkami. Vyberte si rychlost posunem **páky změny rychlosti (6)** na požadovanou polohu na talíři spojky.

Rychlost 1, 2 Mokrá, těžký

Rychlost 3 Lehký

Rychlost 4 Velice lehký

Rychlost 5, 6 Pouze přeprava

- K pohybu dopředu zapněte **páku pohonu (1)** Jak se sněhová fréza začne pohybovat dopředu, udržujte držení držadla. Sněhovou frézu vedle posunem držadla doleva a doprava. Nepokoušejte se frézu tlačit.
- K pohybu zpět uvolněte **páku pohonu (1)**.
- Posuňte **páku rychlosti (6)** do první či druhé zprávné rychlosti.
- Aktivujte kliku **pohonu (1)**.

DŮLEŽITÉ: Páku změny rychlosti (6) neposunujte, pokud je páka pohonu (1) zapnutá.

Jak odhazovat sníh (Obrázek 1)

- Aktivujte kliku **šneka (5)**.
- K ukončení odhazování sněhu uvolněte kliku **šneka (5)**.



VAROVÁNÍ: Použití jakékoli sněhové frézy může vést ke vhození cizích předmětů do očí, což může vést k vážnému poškození očí. Při obsluze frézy vždy používejte ochranné brýle nebo chránilko. Doporučujeme použití normálních ochranných brýlí nebo široké masky přes vaše vlastní brýle.

Jak používat ohřívání držadla (Obrázek 5)



VAROVÁNÍ: Ohřívání držadla jsou určena pro teploty nižší než 0° C. Nezapínejte je při teplotách vyšších.

Jakmile teplota klesne pod 0° C, využijte ohřívání držadla k udržení rukou v teple. Posuňte **vypínač ohřívání držadel (20)** do polohy ZAPNUTO. Držadla se ohřejí do několika minut. Mohou však dosáhnout i vysoké teploty, takže doporučujeme nosit rukavice. Pokud budou držadla příliš páliť, vypněte jejich vytápění.

Před spuštěním motoru

- Než budete startovat motor nebo provádět jeho servis, seznamte se s vaší frézou. Ujistěte se, že rozumíte její funkci a umístění všech ovládacích prvků.
- Před nastartováním motoru překontrolujte napětí kabelu spojky. Viz. „Jak nastavit kabel spojky“ v části Údržba v tomto manuálu.
- Zkontrolujte, že všechna upevnění jsou utažená.
- Zkontrolujte, že výškově nastavitelné pluhly jsou řádně nastaveny. Viz. „Jak nastavit výšku pluhů“ v části Údržba v tomto manuálu.
- Zkontrolujte tlak vzduchu v pneumatikách. Správný tlak vzduchu je 1 bar (14 PSI) až 1,25 bar (17 PSI). Nepřekračujte maximální tlak uvedený na straně pneumatiky.

Jak zastavit motor (Obrázek 1)

- Chcete-li zastavit motor u modelů s **plynem (13)**, nejprve posuňte **páčku plynu (13)** do polohy SLOW (pomalu) a poté do pozice STOP.
- K zastavení motoru u modelů s **tlačítkem startéru (13)** posuňte startér do vypnuté polohy.
- Vytáhněte a uložte **bezpečnostní klíč (8)** **Bezpečnostní klíč (8)** udržujte na bezpečném místě. Motor není bez **bezpečnostního klíče (8)** možno nastartovat.

POZOR: Při zastavení motoru neposunujte sytič do polohy aktivního SYTIČE. Může dojít k zpětnému zážehu nebo poškození motoru.

Jak nastartovat motor (Obrázek 1)

Modely s elektrickým startérem

POZNÁMKA: K motorům s mechanickým startérem je možno přidat sadu elektrického startéru. Sady elektrického startéru je možno zakoupit u vašeho nejbližšího autorizovaného servisu.



VAROVÁNÍ: Startér má třídrátový kabel a zásuvku a je postaven tak, aby pracoval s normálním domácím střídavým napětím 220 V. Zdrojový kabel musí být vždy řádně uzemněný, aby se předešlo možnosti elektrického šoku nebo poranění obsluhy. Pozorně dodržujte všechny pokyny z části „Jak nastartovat motor“. Zkontrolujte, že vaše domácí elektrická síť je třídrátová a uzemněná. Jestliže si nejste jisti, zeptejte se kvalifikovaného elektrikáře. Jestliže vaše elektrická síť není třídrátová nebo uzemněná, v žádném případě nepoužívejte elektrický startér. Jestliže je vaše síť uzemněná, ale nemá zásuvku se třemi jehlicemi, požádejte kvalifikovaného elektrikáře o instalaci vhodné zásuvky. Pro připojení ke kabelu pro střídavý proud o napětí 200 voltů nejdříve připojte kabel ke krabici spínače (11) motoru. Pak zapojte druhý konec do uzemněné zásuvky na tři kolíky. Při odpojování elektrického kabelu vždy nejdříve odpojte konec z uzemněné zásuvky na tři kolíky.

Jak nastartovat studený motor (Obrázek 1)

- Překontrolujte motorový olej.
- Nádrž naplňte normálním bezolovnatým benzínem. Viz. „Jak připravit motor“.
- Překontrolujte, že **páka pohonu (1)** a **páka šneka (5)** jsou v uvolněné poloze.
- Chcete-li spustit motor u modelů s **plynem (13)**, posuňte **páčku plynu (13)** do polohy FAST (rychle). při ovládání motoru mějte **páčku plynu (13)** vždy nastavenou na pozici FAST (Rychle).
- K nastartování zastavení motoru u modelů s **tlačítkem startéru (13)** posuňte startér do zapnuté polohy.
- Do zapalování vložte **bezpečnostní klíč (8)**. Ujistěte se, že je **bezpečnostní klíč (8)** plně zasunut. **Bezpečnostním klíčem (8)** neotáčejte.
- Posuňte **páčku sytiče (14)** do plné polohy.
- (Elektrický start)** Elektrický kabel připojte k **zapalování (11)** na motoru.
- (Elektrický start)** Druhý konec kabelu zasuňte do uzemněné zásuvky na tři kolíky a střídavé napětí 220 voltů. (Viz. VAROVÁNÍ v této části).
- Stlačte **tlačítko přípravy (9)**. Po každém stlačení **tlačítka přípravy (9)** vyčkejte dvě sekundy. Údaje o požadovaném počtu stisků **tlačítka přípravy (9)**, viz. instrukce výrobce motoru.
- (Elektrický start)** Stlačte **tlačítko elektrického startéru (10)** do té doby, než motor nastartuje. Nestartujte více než 5 sekund najednou. Mezi jednotlivými startováními vyčkejte minutu, aby se startér ochladil.
- (Manuální startér)** Pomalu zatáhněte **držátko manuálního startéru (12)** do té doby, co cítíte odpor, a pak rychle zatáhněte k nastartování motoru. Nedovolte, aby se **držátko manuálního startéru (12)** vrátilo zpět. Pomalu vrate **držátko manuálního startéru (12)**.

13. Jestliže motor nenastartujete po 5 nebo 6 pokusech, prostudujte si pokyny v „Plánu řešení problémů“.
14. Dovolte motoru dobu několika minut, aby se ohřál. Jak se motor ohřeje, nastavte **páčku sytiče (14)** dopředu do polohy JET. Před každou úpravou sytiče vyčkejte, až bude motor hladce běžet.
15. **(Elektrický start)** Nejprve odpojte elektrický kabel ze zásuvky. Pak kabel odpojte od **startéru (11)**.
POZNÁMKA: Jestliže je teplota pod -18° C, nechte motor nejdříve na několik minut ohřát, než začnete odhazovat sních.
16. Když odklízíte sních, mějte motor vždy nastavený v poloze **plynu (13) (je-li součástí stroje)** na pozici rychle.



VAROVÁNÍ: Motor nikdy nespouštějte uvnitř nebo v uzavřených, špatně větraných prostorech. Výfukové plyny obsahují oxid uhelnatý, bezbarvý otravný plyn. Udržujte ruce, nohy, vlasy a volné oděvy z dosahu pohyblivých součástí motoru či frézy. Teplota tlumiče a jeho okolí může snadno překročit 66° C. Vyvarujte se těmto místům.

Jak nastartovat teplý motor (Obrázek 1)

Jestliže motor už běžel a je pořád teplý, ponechte **sytič (14)** ve vypnuté poloze a nestlačujte **tlačítko vstřikování (9)**. Jestliže motor nenastartuje, postupujte podle pokynů pro nastartování studeného motoru.

POZNÁMKA: S teplým motorem nepoužívejte tlačítko vstřikování (9).

Jak nastartovat motor se zmrzlým elektrickým startérem (Obrázek 1)

Jestliže je elektrický startér zamrzlý a neotáčí motor, postupujte podle níže uvedených pokynů.

1. Vytáhněte co nejvíce kabelu startéru ven ze startéru.
2. Uvolněte páčku startéru a nechte ji uhodit zpátky do startéru. Opakujte do té doby, až motor nastartuje.

Teplé motory za studeného počasí způsobují kondenzaci. K prevenci možného zamrznutí manuálního startéru a ovládání motoru pokračujte po každém odstraňování sněhu podle níže uvedených kroků.

1. Po ukončení odstraňování sněhu nechte frézu několik minut běžet, aby se předešlo zamrznutí šneka.
2. S vypnutým motorem nechte motor několik minut vychladit.
3. Zatáhněte velice pomalu za startovací lanko, až budete cítit odpor, pak zastavte. Ponechte startovací lanko znovu navinout. Tyto kroky opakujte celkem třikrát.
4. S vypnutým motorem očistěte všechny sních a vlhkost z krytu karburátoru v oblasti ovladačů a pák. Několikrát také pohněte sytičem a držadlem startéru.

Jak odstranit sních nebo nečistoty z uložení šneku



VAROVÁNÍ: Nepokoušejte se odstranit sních nebo odpad z bedny šneka holýma rukama. K odstranění sněhu nebo odpadu používejte nástroje pro čištění a páky.

(Obrázek 7) U některých modelů je přístroj na čištění připojen k vrchu uložení šneka. K odstranění sněhu z uložení šneka použijte přístroj na čištění.

1. **(Obrázek 1)** Uvolněte **kliku šneka (5)**.
2. Zastavte motor.
3. Vytáhněte **bezpečnostní klíč (8)**, ale neotáčejte jím.

4. Odpojte připojení svíček.
5. Nesahejte **douložení šneka (4)** nebo **nebo odpadového žlábků (3)**.
6. **(Obrázek 7)** K odstranění sněhu nebo odpadu používejte **nástroje na čištění (1)** a páky.

Tipy pro odhazování sněhu

1. Pro získání maximální účinnosti odhazování sněhu upravte pozemní rychlost. Ve hlubokém, umrzlém nebo vlhkém sněhu jeďte pomaleji. Jestliže se kola kloužou, snižte rychlost vpřed.
2. Nejlepšího odhazování sněhu se dosáhne tehdy, jestliže je sních odstraněn, jakmile napadl.
POZOR: Nepřekračujte kapacitu stroje tím, že se budete pokoušet sních odklízet příliš rychle.
3. Pro úplné odstranění sněhu by se měly jednotlivé pruhy překrývat.
4. Jestliže je to možné, sních odhazujte ve směru větru.
5. Pro normální použití nastavte pluhu tak, že škrabka je 3 mm nad smyky. Pro velice tvrdě napěchovaný sních upravte pluhu nahoru tak, že se škrabka bude dotýkat země.
6. Stroj nesmí sbírat a odhazovat kameny a štěrky. Na povrchu se štěrky a rozbitými kameny nastavte pluhu 32 mm nad škrabkou. Viz. „Jak nastavit výšku pluhů“ v části Údržba.
7. Po každém odstranění sněhu nechte motor na několik minut vychladnout. Sních a nahromaděný led roztajou díky teplotě motoru.
8. Po každém použití frézu vyčistěte.
9. Odstraňte led, sních a odpad z celé frézy. Omyjte vodou, aby se odstranila sůl a jiné chemikálie. Frézu osušte.

PLÁN ÚDRŽBY

ZODPOVĚDNOST ZÁKAZNÍKA

ZÁZNAMY SERVISU Po ukončení pravidelného servisu vyplněte datum.	Před každým použitím	První 2 hodiny	Každých 5 hodin	Každých 10 hodin	Každých 25 hodin	Každý rok	Před uložením	DATUMY SERVISU
Překontrolujte množství oleje v motoru	√		√			√		
Vyměňte motorový olej					√	√		
Překontrolujte a utáhněte všechny šrouby a matice	√					√		
Překontrolujte svíčky					√	√		
Upravte kabel pohonu		√			√	√		
Překontrolujte palivo	√							
Odstraňte palivo							√	
Překontrolujte nastavení kabelu šneku (Viz nastavení kabelu)		√				√		
Překontrolujte nastavení kabelu pohonu (Viz nastavení kabelu)		√				√		
Naolejujte všechny pivotní body				√			√	
Neolejujte hřídel šneka (Viz Náhrada šnekového šroubu)				√			√	
Neolejujte řetězy pohonu a zuby pro řetěz				√			√	

ÚDRŽBA

POZNÁMKA: Ilustrace se nacházejí na stránce 2 a stránkách od 176 až do 181.

Následující část o údržbě používejte, abyste jednotku udrželi v dobrém funkčním stavu. Všechny informace týkající se údržby motoru jsou uvedené v manuálu motoru. Před nastartováním motoru si prosím přečtete tuto knížku.



VAROVÁNÍ: Před provedením jakýchkoli kontrol, úprav (kromě karburátoru) nebo oprav odpojte připojení svíček.

Obecná doporučení

Záruka na tento výrobek se nevztahuje na položky vystavené zneužití operátora nebo zanedbání. Abyste mohli získat plnou výhodu záruky, je nutné dodržovat pokyny v tomto návodu ke fréze.

Některé úpravy musí být prováděny pravidelně, aby byla možná řádná údržba frézy.

Po každém použití

- Překontrolujte pro jakékoli uvolněné nebo poškozené součástky.
- Upevněte jakákoli uvolněná upevnění.
- Zkontrolujte a udržujte šneka.
- Překontrolujte ovládání, abyste se ujistili, že řádně funguje.
- Jestliže jsou některé části opotřebované nebo poškozené, okamžitě je vyměňte.

- Překontrolujte všechny bezpečnostní údaje a nálepky. Nahraďte všechna označení, která chybí nebo nejsou čitelná.

Všechny úpravy uvedené v části Údržba tohoto manuálu musí být zkontrolovány alespoň jednou za rok.

Podle nutnosti

Následující úpravy by měly být provedeny více než jednou za rok.

1. Upravte kabel pohonu šneka po prvních 2 až 4 hodinách, znovu v polovině sezóny a poté dvakrát během každé sezóny. Viz. „Jak nastavit kabel pohonu šneka“ v části Údržba.

Mazání

Každých 10 hodin (Obrázek 14)

1. **Upevnění Zerk (1)** namažte každých deset hodin s mazací pistolí.
2. Po každé náhradě šroubu šneku musí být namazán pohon šneku.
3. Namažte všechny pivotní body.

Každých 25 hodin

Řetězy

1. (Obrázek 1) Posuňte páku změny rychlosti (6) do první rychlosti.
2. Odstraňte benzín z nádrže. Postavte frézu na přední straně uložení šneka (4).



VAROVÁNÍ: Benzín vyprázdněte venku, mimo dosah ohně či plamenů.

3. (Obrázek 22) Povolte šrouby (3) na obou stranách spodního krytu (2).

4. Odstraňte spodní kryt (2).
5. (Obrázek 15) Namažte řetězy (5) s mazadlem na řetězy.
6. Namažte hřídel a zuby (6) s motorovým olejem 5W30.
POZNÁMKA: Jestliže se mazadlo či olej dostanou do kontaktu s talířem disku (1) nebo frikčním kolečkem (3), může dojít ke škodám. Očistěte jakékoli mazadlo či olej s pomocí alkoholového rozpouštědla.
7. (Obrázek 22) Instalujte spodní kryt (2).
8. Utáhněte šrouby (3) na obou stranách spodního krytu (2).

Položky nemažte (Obrázek 15)

1. Nemažte hřídel a zuby (6). Všechna ložiska jsou namazána pro celou dobu životnosti. Pro skladování naneste malé množství motorového oleje 5W–30 na látku a přetřete hřídel a zuby (6) k prevenci koroze.
2. Jestliže mazadlo či olej přijdou do kontaktu s talířem disku (1) nebo s frikčním kolečkem (3), frikční kolečko (3) může být poškozeno. Zkontrolujte, že jste řádně vyčistili talíř disku (1) a frikční kolečko (3).
POZOR: Jakékoli namazání či naolejování výše uvedených součástí může vést ke kontaminaci frikčního kolečka. Jestliže se na talíř disku (1) nebo frikční kolečko (3) dostane mazadlo nebo olej, může dojít k poškození frikčního kolečka.
3. Převodovka šneka je namazaná z továrny a nevyžaduje si další mazání. Jestliže mazadlo z jakýchkoli důvodů vyteče, požádejte autorizovaný servis o kontrolu převodovky šneka.

Jak nastavit výšku pluhů (Obrázek 1)

Tato sněhová fréza má dvě výšky **nastavitelných pluhů (7)**. Tyto pluchy zvedají přední stranu frézy. Pro normální pevné povrchy, jako jsou například vydlážděné chodníky či cesty, nastavte pluchy podle následujících pokynů:

1. Postavte frézu na rovný povrch.
2. Zkontrolujte, že obě pneumatiky jsou stejně plné. Správný tlak je 1 bar (14 PSI) až 1,25 bar (17 PSI). Nepřekračujte maximální tlak uvedený na straně pneumatiky.
3. Dejte šrouby navíc (**nalezené v sáčku se součástkami**) pod každý konec **tyče shrnovače (15)** vedle **nastavitelných pluhů (7)**.
4. Uvolněte **přípeňovací matice (16)**, které drží **nastavitelné pluchy (7)**. K návratu přední strany frézy dolů zvedněte oba **nastavitelné pluchy (7)**. Utáhněte **upevňovací matice (16)**.

POZNÁMKA: Kamenité či nerovné povrchy zvyšují přední stranu frézy posunem **nastavitelných pluhů (7)** dolů.



VAROVÁNÍ: Ujistěte se, že v oblasti, kde pracujete, máte dostatečnou vzdálenost od země.

Předměty jako kameny, štěrky nebo jiný odpad mohou po odhození šnekem letět takovou silou, že způsobí poranění, škody na majetku nebo poškození sněhové frézy.

Jak nastavit tyč škrabky (Obrázek 1)

Po vážném používání se **tyč škrabky (15)** opotřebuje. **Tyč škrabky (15)** společně s **pluchy** musí být nastavená tak, aby mezi zemí a **tyčí škrabky (15)** bylo 3 mm volného prostoru.

1. Postavte frézu na rovný povrch.
2. Zkontrolujte, že obě pneumatiky jsou stejně plné. Správný tlak je 1 bar (14 PSI) až 1,25 bar (17 PSI). Nepřekračujte maximální tlak uvedený na straně pneumatiky.
3. Uvolněte šrouby a matice, které drží **tyč škrabky (15)** u **uložení šneku (4)**.
4. **Tyč škrabky (15)** společně s **pluchy** musí být nastaveny tak, aby mezi zemí nebo čištěnou plochou a **tyčí škrabky (15)** bylo 3 mm volného prostoru.
5. Utáhněte šrouby a matice. Ujistěte se, že **tyč škrabky (15)** je vodorovná s chodníkem nebo čištěným povrchem.
6. K prodloužení životnosti **tyče škrabky (15)**, odstraňte a obraťte **upevňovací tyče (15)**.

Jak zkontrolovat a nastavit kabely

Kabel pohonu a kabel šneka jsou nastaveny v továrně. Při normálním použití může dojít k natažení kabelů, musí být proto kontrolovány a upraveny podle následujících pokynů.

Jak zkontrolovat kabely (Obrázek 16)

1. Pro kontrolu správného nastavení odpojte **upevňovací „Z“ (1)** z **řídící páky (2)**.
2. **Páku řízení (2)** posuňte dopředu do té doby, až bude **páka řízení (2)** v kontaktu s **plastovým nárazníkem (3)**.
3. Ovládací kabely jsou správně nastaveny, jestliže je střed **upevňovací „Z“ (1)** v **rovíně (4)** s otvorem **páky řízení (2)** a v kabelu není volnost.

Jak nastavit kabel šneka

1. Odstraňte benzin z nádrže. Postavte frézu na přední straně uložení šneka.



VAROVÁNÍ: Benzin vyprázdňte venku, mimo dosah ohně či plamenů.

2. (**Obrázek 16**) Odpojte **Z–upevňovací (1)** od **páky řízení (2)**.
3. (**Obrázek 17**) Kryt zatáhněte nahoru tak, že se odhalí **pérování (5)**. Zatláchte **kabel (6)** skrze **pérování (5)** k odhalení **čtvercového ukončení (7)** kabelu (6).
4. **Čtvercové ukončení (7)** držte kombináčkami a **uzamykací matici (8)** nastavte tak, že je odstraněna nadměrná volnost.
5. **Kabel (6)** protáhněte zpět skrze **pérování (5)**.
6. (**Obrázek 16**) Připojte **Z–upevňovací (1)** k **páce řízení (2)**.

POZNÁMKA: Po upravení či nahrazení řemene pohonu šneku přezkontrolujte a upravte kabel.

Jak nastavit kabel pohonu

1. Odstraňte benzin z nádrže. Postavte frézu na přední straně uložení šneka.



VAROVÁNÍ: Benzin vyprázdňte venku, mimo dosah ohně či plamenů.

2. (**Obrázek 22**) Povolte **šrouby (3)** na obou stranách **spodního krytu (2)**.
3. Odstraňte **spodní kryt (2)**.
4. (**Obrázek 16**) Odpojte **Z–upevňovací (1)** od **páky pohonu (2)**.
5. (**Obrázek 27**) Sesuňte **kryt kabelu (3)** z **upevňovacího nastavení kabelu (4)**.
6. Stlačte spodní stranu **kabelu trakční kontroly (5)** skrze **uchycení nastavení kabelu (4)** do té doby, až **Z–háček (6)** může být odstraněn.
7. Vyjměte **Z–háček (6)** z **úchyty nastavení kabelu (4)**. Posuňte **Z–háček (6)** dolů k dalšímu otvoru nastavení.
8. Protáhněte **kabel trakce (5)** nahoru skrze **upevňovací nastavení kabelu (4)**.
9. Dejte **botičku kabelu (3)** na **upevňovací nastavení kabelu (4)**.
10. (**Obrázek 16**) Připojte **Z–upevňovací (1)** k **páce trakčního pohonu (2)**.
11. (**Obrázek 15**) Ke kontrole nastavení, uvolněte páku řízení a zkontrolujte **délku „A“ pérování (7)**. Při správném nastavení je **délka „A“ pérování (7)** následující: minimum 76 mm maximum 85 mm
12. (**Obrázek 22**) Instalujte **spodní kryt (2)**.
13. Utáhněte **šrouby (3)** na obou stranách **spodního krytu (2)**.

Jak upravit řemeny

Při normálním použití dojde k natažení řemenů. Jestliže potřebujete upravit řemeny kvůli opotřebenosti, postupujte podle následujících pokynů.

Jak nastavit řemen pohonu šneka

Jestliže sněhová fréza neodhazuje sníh, přezkontrolujte nastavení kabelu pohonu šneka. Viz. „Jak přezkontrolovat a nastavit kabely“ v části Údržba. Jestliže je nastavení správné, přezkontrolujte stav řemene pohonu šneka. Jestliže je řemen pohonu šneka poškozený, nahraďte ho novým. Viz. „Jak vyměnit řemeny“ v části Údržba. Jestliže je řemen pohonu šneka uvolněný, postupujte podle následujících kroků.

1. Odpojte připojení svíček.
2. (**Obrázek 18**) Odstraňte **šroub (2)** z **krytu řemene (1)**. Odstraňte **kryt řemene (1)**.
3. (**Obrázek 19**) Uvolněte **matici (2)** na **páce volnoběhu (3)**. Posuňte **páku volnoběhu (3)** 3 mm směrem k **oemenu pohonu šneka (4)**.
4. Utáhněte **matici (2)**.
5. (**Obrázek 21**) Uvolněte stisk páky pohonu šneka. Přezkontrolujte napětí **hnacího řemene šneka (4)**. Při správném nastavení se dá **hnací řemen šneka (4)** pohnout asi 12,5 mm (5) při vynaložení mírného tlaku. Jestliže nastavení není správné, opakujte úpravu.
6. (**Obrázek 18**) Instalujte **kryt řemene (1)**. Utáhněte **šroub (2)**.
7. Přezkontrolujte nastavení hnacího řemene šneka. Viz. „Jak přezkontrolovat a nastavit kabely“ v části Údržba.
8. Připojte připojení svíček.

Řemen trakce

Řemen trakce má stálé napětí a nevyžaduje si úpravy. Jestliže sklouzává, nahraďte ho. Viz. „Jak vyměnit řemeny“ v části Údržba.

Jak vyměnit řemeny

Hnací řemeny mají speciální stavbu a musí být nahrazeny stejnými řemeny, které můžete obdržet z vašeho nejbližšího autorizovaného servisu.

Některé kroky si vyžadují pomoc druhé osoby.

Odstranění hnacího řemenu šneka

Jestliže je hnací řemen šneka poškozený, sněhová fréza nebude odhazovat sníh. Nahraďte poškozený řemen následujícím způsobem:

1. Odpojte připojení svíček.
2. (**Obrázek 22**) Odstraňte **šrouby (1)** na obou stranách **spodního krytu (2)**.
3. Uvolněte **šrouby (3)** na obou stranách **spodního krytu (2)**.
4. Odstraňte **spodní kryt (2)**.
5. (**Obrázek 18**) Odstraňte **šroub (2)** z **krytu řemene (1)**. Odstraňte **kryt řemene (1)**.
6. (**Obrázek 19**) Uvolněte **vodič řemene (9)**. Odtahněte **vodič řemenu (9)** od **kladky pohonu šneka (10)**.
7. Zatáhněte **páčku volnoběhu (3)** pryč od **hnacího řemenu šneka (4)** a sesuňte **hnací řemen šneka (4)** z **kladky volnoběhu (3)**.
8. Odstraňte **hnací řemen šneka (4)** z **kladky motoru (11)**. Odstranění **hnacího řemenu šneka (4)**, z **kladky motoru (11)** si může vyžadovat částečné otočení.
9. (**Obrázek 20**) Odstraňte čtyři vrchní **šrouby (21)**, které drží pohromadě **uložení šneka (22)** a **bednu motoru (23)**. Uvolněte spodní dva **šrouby (24)**. **Uložení šneka (22)** a **bedna motoru (23)** mohou nyní být odděleny pro odstranění řemenu.

10. **(Obrázek 19)** Odstraňte starý hnací řemen šneka (4) z hnací kladky šneka (10). Hnací řemen šneka (4) nahraďte originálním náhradním řemenem z továrny, který můžete zakoupit v autorizovaném servisu.
11. Nainstalujte nový hnací řemen šneka (4) na hnací kladku šneka (10).
POZNÁMKA: K montáži upevňovací šneka (22) ke krabici motoru (23) požádejte nikoho o to, aby drželi páku spínače šneka v ZAPNUTÉ poloze. To posune volnobíh a kladku (3) dostatečně tak, aby se umožnilo kladce pohonu šneka (10) posunout zpět do polohy.
12. Připojte uložení šneka (22) k bedně motoru (23) s pomocí čtyř šroubů (21), které byly odstraněny v kroku 9. Utáhněte spodní dva šrouby (24).
13. Instalujte hnací řemen šneka (4) na kladku motoru (11).
14. Posuňte hnací řemen šneka (4) pod kladku volnoběhu (3).
15. Upravte hnací řemen šneka (4). Viz. „Jak nastavit kabel pohonu šneka“ v části Údržba.
16. Upravte vodič řemene (9). Viz. „Jak upravit řemeny“ v části Údržba.
17. **(Obrázek 18)** Instalujte kryt řemene (1). Utáhněte šroub (2).
18. **(Obrázek 22)** Instalujte spodní kryt (2).
19. Upevněte šrouby (1) na obou stranách spodního krytu (2).
20. Utáhněte šrouby (1) a šrouby (3) na obou stranách spodního krytu (2).
21. Zkontrolujte nastavení kabelů. Viz. „Jak přikontrolovat a nastavit kabely“ v části Údržba.
22. Připojte připojení svíček.

Odstranění hnacího řemenu šneka

Jestliže se sněhová fréza nepohybuje dopředu, přikontrolujte trakční řemen pro opotřebování nebo poškození. Jestliže je trakční řemen poškozený nebo opotřebovaný, nahraďte ho následujícím způsobem.

1. Odpojte připojení svíček.
2. Vyndejte hnací řemen šneka. Viz. „Jak odstranit hnací řemen šneka“ v části Údržba.
3. **(Obrázek 19)** Odstraňte e-upevnění (17) z jednoho konce tyče nápravy (18). Odstraňte tyč nápravy (18), aby byl možný pohyb vpřed.
4. Odstraňte pérování pohonu trakce (16).
5. Odstraňte starý hnací trakční řemen (13) z kladky trakčního řemenu (14) a z kladky motoru (15). Hnací trakční řemen (13) nahraďte originálním náhradním řemenem z továrny, který můžete zakoupit v autorizovaném servisu.
6. Instalujte nový hnací trakční řemen (13) na kladku trakčního řemenu (14) a na kladku motoru (15).
7. Přikontrolujte, že kladka trakce volnoběhu (12) je řádně srovnána s hnacím trakčním řemenem (13).
8. Připevněte pérování pohonu trakce (16).
9. Nainstalujte tyč nápravy (18) a upevněte svorkou (17), kterou jste sejmuli dříve.
10. **(Obrázek 32)** Spodní strana talíře (20) musí být umístěna mezi označení (19). Přikontrolujte, že talíř (20) je řádně připevněný.

POZNÁMKA: Jestliže pohon nepracuje po výměně hnacího řemenu, přikontrolujte umístění talíře mezi značkami (19).

11. **(Obrázek 19)** Instalujte a upravte hnací řemen šneka (4). Viz. „Jak odstranit hnací řemen šneka“ v části Údržba.
12. Upravte vodič řemene (9). Viz. „Jak upravit řemeny“ v části Údržba.
13. **(Obrázek 22)** Instalujte spodní kryt (2).
14. Utáhněte šrouby (3) na obou stranách spodního krytu (2).
15. **(Obrázek 18)** Instalujte kryt řemene (1). Utáhněte šroub (2).
16. Zkontrolujte nastavení kabelů. Viz. „Jak přikontrolovat a nastavit kabely“ v části Údržba.
17. Připojte připojení svíček.


Jak upravit vodič řemene

1. Odpojte připojení svíček.
2. **(Obrázek 18)** Odstraňte šroub (2). Odstraňte kryt řemene (1).
3. **(Obrázek 1)** Aktivujte páku šneka (5).
4. **(Obrázek 23)** Změňte vzdálenost vodiče řemene (2) a hnacího řemene šneka (3). Správná vzdálenost (4) je 3 mm.
5. Jestliže je nastavení nutné, uvolněte upevňovací šroub vodiče řemene (2). Posuňte vodič řemene (2) do správné polohy (4). Utáhněte upevňovací šroub vodiče řemene (2).
6. **(Obrázek 18)** Instalujte kryt řemene (1). Utáhněte šroub (2).
7. Připojte připojení svíček.

Jak nastavit nebo vyměnit frikční kolo

Jak přikontrolovat frikční kolo

Jestliže sněhová fréza nejede vpřed, zkontrolujte řídicí frikční řemen, řídicí frikční kabel a frikční kolo. Jestliže je frikční kolo opotřebované či poškozené, musí být vyměněno. Viz „Jak nahradit frikční kolo“ v této části. Jestliže frikční kolo není opotřebované nebo poškozené, přikontrolujte následující.

1. **(Obrázek 1)** Odstraňte benzín z nádrže. Postavte frézu na přední straně uložení šneka (4).
 **VAROVÁNÍ:** Benzín vyprázdňte venku, mimo dosah ohně či plamenů.
2. Odpojte připojení svíček.
3. **(Obrázek 22)** Odstraňte šrouby (1) na obou stranách spodního krytu (2).
4. Uvolněte šrouby (3) na obou stranách spodního krytu (2).
5. Odstraňte spodní kryt (2).
6. **(Obrázek 1)** Uvedte páku změny rychlosti (6) do první polohy vpřed.
7. **(Obrázek 24)** Všimněte si polohy frikčního kola (4). Správná vzdálenost „A“ od pravé strany kola (4) k vnější straně krabice motoru je:
Velikost pneumatiky Vzdálenost „A“
12 a 13 palců 10,5 cm (4-1/8")
16 palců 10,95 cm (4-5/16")
Jestliže frikční kolo (4) není ve správné poloze, proveďte následující úpravy.

Jak upravit frikční kolo


1. **(Obrázek 1)** Uvedte páku změny rychlosti (6) do první polohy vpřed.
2. **(Obrázek 9)** Uvolněte matici (9) na páce kontroly rychlosti (2). Odstraňte kulový kloub (6) ze zasuvací tyče (7).
3. **(Obrázek 24)** Posuňte frikční kolo (4) do správné polohy.
4. **(Obrázek 9)** Otočte adaptér (10) do té doby, až kulový kloub (6) bude v rovině s otvorem v zasuvací tyči (7). Když jsou v rovině, připojte kulový kloub (6) k zasuvací tyči (7).
5. **(Obrázek 22)** Instalujte spodní kryt (2).
6. Upevněte šrouby (1) na obou stranách spodního krytu (2).
7. Utáhněte šrouby (1) a šrouby (3) na obou stranách spodního krytu (2).

Jak nahradit frikční kolo

Jestliže je frikční kolo poškozené nebo opotřebované, sněhová fréza nepojede dopředu. Frikční kolo musí být nahrazeno podle následujícího postupu.



VAROVÁNÍ: Nemazejte diskové kotouče nebo frikení kolečko.

1. **(Obrázek 1)** Odstraňte benzín z nádrže. Postavte frézu na přední straně uložení šneka (4).
 **VAROVÁNÍ:** Benzín vyprázdňte venku, mimo dosah ohně či plamenů.
2. Odpojte připojení svíček.
3. **(Obrázek 28)** Odstraňte šrouby (1) na obou stranách spodního krytu (2).
4. Uvolněte šrouby (3) na obou stranách spodního krytu (2).
5. Odstraňte spodní kryt (2).
6. **(Obrázek 29)** Odstraňte zadní podporu (18).
7. **(Obrázek 30)** Použijte klíče 3/16 a odstraňte upevnění, která drží pravou sponku hoidele (30) ke hoidele (34).
8. Odstraňte pravé kolo (35), hoidele (34), sponku hoidele (30), a podložku (31).
9. **(Obrázek 28)** Odstraňte levé kolo (10) zhoidele (11).
10. **(Obrázek 31)** Odstraňte upevnění, která drží oporu hoidele (32) z krabice motoru. Odstraňte oporu hoidele (32) a pouzdro (33).
11. Uvolněte (ale neodstraňujte) šrouby, které upevňují ložisko nápravy (19) ke krabici motoru.
12. Odstraňte poevod spojky/rychlosti (20) z nápravy (11).
13. **(Obrázek 32)** Odstraňte čtyři šrouby (16), které drží ložiska (7) na obou stranách nápravy (8).
14. **(Obrázek 33)** Odstraňte nápravu (8) a ložiska (7).
POZNÁMKA: Věnujte zvláštní pozornost poloze podložek (13).
15. **(Obrázek 26)** Odstraňte tři upevnění (4), která drží frikční kolo (5) k hlavní části (6).
16. **(Obrázek 26)** Odstraňte frikční kolo (5) od hlavní části (6). Sundejte frikční kolo (5) z nápravy (8).
17. Upevněte nové frikční kolo (5) na hlavní část (6) s pomocí dřívě odstraněných připojení.

18. **(Obrázek 33)** Připevněte nápravu (8) a ložiska (7) s pomocí čtyř šroubů, které jste dříve odstranili.

Překontrolujte, že podložky (17) jsou řádně umístěné v původní poloze. Ujistěte se také, že dvě podložky (13) jsou řádně nastavené s rameny aktivátoru (14).

19. Překontrolujte, že náprava (8) se volně pohybuje.

20. K montáži ostatních částí postupujte podle kroku druhým směrem.

21. Zkontrolujte nastavení frikčního kola. Viz „Jak nastavit frikční kolo“ v této části.

22. Překontrolujte, že na kolu a talířích disků není žádná mastnota nebo olej.

23. **(Obrázek 28)** Instalujte spodní kryt (2).

24. Upevněte šrouby (1) na obou stranách spodního krytu (2).

25. Utáhněte šrouby (1) a šrouby (3) na obou stranách spodního krytu (2).

26. Připojte připojení svíček.

Jak nahradit spřahující šroub šneka

Šnek je připevněn k nápravě šneka s pomocí speciálních spřahujících šroubů. Tyto šrouby jsou postaveny tak, aby se zlomily a ochránily stroj, jestliže dojde k ucpání předmětu ve šneku. Nepoužívejte pevnější šrouby, protože by byla ztracena ochrana.



VAROVÁNÍ: Pro bezpečnost a k ochraně stroje používejte pouze originální spojovací šrouby.

K náhradě zlomeného šroubu dodržujte následující postup. Šrouby navíc jsou obsaženy v sáčku s díly.

1. **(Obrázek 1)** Zastavte motor. Deaktivujte všechny kontroly.
2. Odpojte připojení svíček. Překontrolujte, že se všechny části zastavily.

3. **(Obrázek 14)** Namažte upevnění Zerk (1) nápravy šneku (je-li součástí stroje) mazací pistolí.

4. **(Obrázek 25)** Narovnejte otvor ve šneku k otvoru v nápravě šneka. Připevněte nový spojovací šroub (2), kroužek (3) a matici (4).

POZNÁMKA: Jestliže má model 84 cm upevnění šneka, oddilovae (3) není nutný.

5. Připojte připojení svíček.

Jak připravit sněhovou frézu ke skladování



VAROVÁNÍ: Benzín nevyprazdňujte, pokud jste uvnitř budovy, poblíž ohně nebo pokud kouříte. Benzinové páry mohou způsobit exploze nebo požár.

Jestliže má být fréza uložena na delší dobu, prohlédněte si návod motoru (dodávaný s některými modely), kde jsou důležité informace o údržbě a skladování.

1. Vyprázdněte nádrž.
2. Nechte motor běžet tak dlouho, než dojde benzín.
3. Frézu nikdy neukládejte s benzínem v nádrži v budově, kde jsou zdroje vzplanutí jako například ohřívače vody, sušičky a podobné. Vyčkejte, až motor vychladne, než ho uložíte v uzavřeném prostoru.
4. Z teplého motoru odstraňte olej. Motor naplňte novým olejem.
5. Odstraňte svíčku z komory. Do 29,6 ml oleje do komory. Pomalu vytáhněte ruční startér tak, že olej bude ochraňovat komoru. V komoře instalujte novou svíčku.
6. Frézu důkladně vyčistěte.
7. Všechny mazací body namažte. Viz Část o údržbě

8. Provéřte, že všechny šrouby a matice jsou bezpečně utažené. Prohlédněte všechny pohyblivé části pro známky poškození a opotřebování. Jestliže je to nutné, nahraďte je novými.

9. Pokryjte otevřené kovové části výfukové jednotky a šneku mazadlem proti rezu.

10. Jednotku dejte do budovy s dobrou ventilací.

11. Jestliže přístroj musí být uložen venku, zablokujte sněhovou frézu tak, abyste se ujistili, že se žádná část přístroje nedotýká země.

12. Sněhovou frézu pokryjte vhodným ochranným obalem, který nezadržuje vlhkost. Nepoužívejte plastové materiály.

Jak objednat náhradní díly

Náhradní díly jsou zobrazeny buďto na zadních stránkách tohoto návodu nebo v samostatném letáčku náhradních dílů.

Používejte pouze náhradní díly autorizované nebo schválené výrobcem. Nepoužívejte doplňky, které nejsou doporučeny pro použití s touto jednotkou. Abyste obdrželi správné náhradní díly, musíte udat číslo modelu (viz identifikační štítek).

K objednání náhradních dílů kontaktujte vašeho místního prodejce.

Náhradní díly pro motor, nápravu převodovky či převodovku jsou dostupné z autorizovaných servisů, které naleznete ve Zlatých stránkách nebo v telefonním seznamu. Prostudujte si také návody motoru nebo převodu o záruce pro objednání náhradních dílů.

Při objednávání budou potřeba následující údaje:

- (1) Číslo modelu
- (2) Sériové číslo
- (3) Číslo součástky
- (4) Množství

PLÁN ŘEŠENÍ PROBLÉMŮ

PROBLÉM	PŘÍČINA	ŘEŠENÍ
Problémy se startováním	Defektivní svíčka.	Vyměňte svíčku.
	Voda či špína v palivovém systému.	Použijte nádobu na vypuzení paliva a pak ho nahraďte čerstvým palivem.
Motor funguje eraticky	Zablokovaný přístup paliva, prázdná nádrž nebo starý benzín.	Vyčistěte přívod paliva, překontrolujte dodávku paliva, přidejte čerstvý benzín.
Motor zhasíná	Jednotka běží se SYTIČEM.	Nastavte sytič do polohy RUN (Spustit).
Motor funguje eraticky Ztráta výkonu	Voda či špína v palivovém systému.	Použijte nádobu na vypuzení paliva a pak ho nahraďte čerstvým palivem.
Nadměrné vibrace	Uvolněné části: poškozený rotor.	Okamžitě zastavte motor a odpojte připojení svíčky. Utáhněte všechny šrouby a proveďte nutné opravy. Jestliže vibrace pokračují, nechte jednotku opravit kvalifikovaným opravářem.
Jednotka se nezvedá	Hnací řemen je uvolněný nebo poškozený.	Vyměňte hnací řemen.
	Nesprávné nastavení kabelu trakce.	Upravte kabel trakce.
	Opotřebované či poškozené frikční kolečko.	Nahraďte frikční kolečko.
Jednotka neodhazuje sníh	Hnací řemen šneka je uvolněný nebo poškozený.	Utáhněte hnací řemen šneku, jestliže je poškozený, tak ho vyměňte.
	Řídící kabely šneka nejsou řádně nastavené.	Upravte řídicí kabely šneka.
	Šroub je zlomený.	Nahraďte šroub.
	Odpadový nosník je ucpaný.	Okamžitě zastavte motor a odpojte připojení svíčky. Vyčistěte odpadový nosník a vnitřek šneka.
	Ve šneku se zachytil cizí předmět.	Okamžitě zastavte motor a odpojte připojení svíčky. Odstraňte předmět ze šneka.

СОДЕРЖАНИЕ

ОБОЗНАЧЕНИЯ ОПАСНОСТИ И ПОЯСНЕНИЯ К НИМ	158
ЭКСПЛУАТАЦИОННЫЕ ОБОЗНАЧЕНИЯ И	159
СБОРКА	165
ИСПОЛЬЗОВАНИЕ	166
РЕГЛАМЕНТ ОБСЛУЖИВАНИЯ	168
ОБСЛУЖИВАНИЕ	169
СХЕМА С УКАЗАНИЕМ МЕСТ ВОЗМОЖНЫХ ПОВРЕЖДЕНИЙ	173

Рисунки (Например: Рис. 1) расположен на внутренней стороне первой и последней страницы этого руководства, перед списком деталей.

Общие сведения

Эта инструкция написана для лиц, имеющих определенную квалификацию в области механики. Как и в большинстве руководств по обслуживанию, в ней не приведено описание некоторых шагов. Как затянуть или ослабить зажимы знают все, имеющие квалификацию в области механики. Перед тем, как воспользоваться устройством, прочитайте эти инструкции и придерживайтесь их.

Узнайте об устройстве как можно больше: С пониманием принципов работы устройства можно добиться максимальной производительности. При чтении данного руководства, сравнивайте иллюстрации с устройством. Изучите расположение и функции средств управления. Во избежание несчастных случаев, придерживайтесь инструкций по эксплуатации и правил техники безопасности. Сохраните это руководство, чтобы к нему можно было обратиться в будущем.

ВАЖНО: Многие устройства продаются в разобранном виде, упакованные в картонные ящики. Ответственность за точное выполнение инструкций по сборке, приведенных в данном руководстве, полностью лежит на владельце. Другие устройства поставляются в собранном состоянии. Если устройство уже собрано, то ответственность за проверку правильности сборки лежит на владельце. Перед первым использованием владелец должен внимательно проверить устройство в соответствии с инструкциями, приведенными в данном руководстве.

Нужна помощь?

Если Вам нужна дополнительная информация по сборке, работе или обслуживанию данного устройства, свяжитесь со своим местным дилером.



В этом руководстве приведена информация по технике безопасности при работе со снегоочистителями, описаны основные опасности и угрозы, а также способы их устранения. Снегоочиститель предназначен для уборки снега, и его запрещено использовать в каких-либо иных целях. Владелец, а также лица, которые работают с данным оборудованием, обязательно должны прочитать эти инструкции и разобраться в них.



ПРЕДУПРЕЖДЕНИЕ

Выхлопные газы двигателя этого устройства содержат химические элементы, признанные в штате Калифорния как вызывающие рак, врожденные пороки развития, а также оказывающие иные негативные воздействия на систему репродукции человека.

Сигнальные слова («ОПАСНО», «ПРЕДУПРЕЖДЕНИЕ» или «ОСТОРОЖНО»), используются вместе с сигнальными символами и указывают на вероятность и возможную степень серьезности травмы. В дополнение может использоваться знак, указывающий на вид опасности.



ОПАСНО указывает на опасную ситуацию, которая, если ее не избежать, **приведет к смертельному исходу или получению серьезных травм.**



ПРЕДУПРЕЖДЕНИЕ указывает на опасную ситуацию, которая, если ее не избежать, **может привести к смертельному исходу или получению серьезных травм.**



ОСТОРОЖНО указывает на опасную ситуацию, которая, если ее не избежать, **может привести к получению травм низкой или средней тяжести.** **ОСТОРОЖНО**, которое приведено без предупредительного знака, означает ситуацию, которая **может привести к повреждению оборудования.**

Функции оборудования и средств управления (см. Рисунок 1)

Рычаг фрикционного привода (1) - Выбирает направление движения- вперед или назад.

Кривошип в сборе (2) - Изменяет направление разгрузочного желоба.

Дефлектор желоба (3) - Изменяет расстояние, на которое отбрасывается снег.

Разгрузочный желоб (4) - Изменяет направление, в котором отбрасывается снег.

Рычаг шнекового привода (5) - Запускает и останавливает шнек (сбор и отбрасывание снега), который также обеспечивает движение снегоочистителя.

Рычаг переключения скоростей (6) - Выбирает скорость для снегоочистителя.

Платформа изменения высоты (7) - Изменяет расстояние от земли до места бурава.

Разбиватели снега (18) - (если предусмотрено). Прокладывает дорогу через снег, который находится выше уровня места бурава.

Срезные болты (19) - Охраняют машину, специальные срезные болты сделаны таким образом, чтобы они могли быть способными раздроблять отьекты, попадающие в район бурава. Использование более тяжелого болта уничтожит защитную функцию, предоставляемую срезным болтом.

Съёмный рычаг управления наклонным желобом (20) - Контролирует величину расстояния, на которое отбрасывается снег.

Рукоятки с подогревом (21) - Включается на самих рукоятках.

Функции двигателя

Ключ безопасности (8) - Должен быть вставлен, чтобы двигатель смог быть заведён.

Кнопка заливочного насоса (9) - Впрыскивает топливо непосредственно в карбюратор для обеспечения быстрого запуска в холодную погоду.

Кнопка электрического включения (10) - На моделях с электрическим включением используется для того, чтобы включить двигатель.

Распределительная коробка (11) - На моделях с электрическим включением, применяется для того, чтобы подключать электрический провод на 220 вольт.

Рукоятка прокрутки стартера (12) - Используется для запуска двигателя вручную.

Дроссельное регулирование (13) - (если предусмотрено) Используется для того, чтобы контролировать скорость работы мотора.

Выключатель (13) - (если предусмотрено) Используется для того, чтобы остановить работу двигателя.

Управление заслонкой (14) - Используется для запуска холодного двигателя.

Обозначения опасности и пояснения к ним

Эти обозначения нанесены на оборудовании, а их определения даны в руководстве по эксплуатации. Просмотрите их и разберитесь, что они означают. Предупреждения о потенциальных опасностях и способах их устранения приводятся в виде сочетания одного из этих знаков с предупредительным словом.



Предупреждение по технике безопасности – обозначает информацию по технике безопасности о ситуациях, которые могут привести к получению травм.



Руководство по эксплуатации – внимательно прочитайте его перед осуществлением каких-либо действий или перед тем, как запускать оборудование.



Движущий шнек



Воспламенение



Вращающаяся крыльчатка



Взрыв



Ядовитые газы



Шок



Движущиеся детали



Горячая поверхность



Выбрасываемые объекты



Держитесь на безопасном расстоянии от оборудования.



Запрещено прикасаться к вращающимся деталям.



Прежде чем выполнять обслуживающие или ремонтные работы, заглушите двигатель и снимите наконечник провода свечи зажигания.

Эксплуатационные обозначения и пояснения к ним

Эти обозначения нанесены на оборудовании, а их определения даны в руководстве по эксплуатации. Необходимо просмотреть их и разобраться в значениях. Неправильное понимание обозначений может привести к получению травм.

	Масло		Вперед Нейтральное положение Задний ход
	Топливо		Зажигание Вкл.
	Включено Выключено		Зажигание выкл.
	Насос ручной подкачки топлива		Ключ зажигания
	Регулятор подачи топлива		Нажмите, чтобы осуществить электрический запуск
	Заслонка выкл.		Электрический запуск
	Заслонка вкл.		Запуск двигателя
	Стоп		Работа двигателя
	Медленно		Двигатель заглушен
	Быстро		
	Включить сцепление		
	Сила сцепления		
	Шнековый сборщик		
	Шнековая муфта		
	Муфта привода		
	Включить сцепление		
	Выключить сцепление		
	Разгрузочный желоб		Дефлектор желоба
	ВЛЕВО ВПРАВО		ВВЕРХ ВНИЗ



⚠ ОПАСНО

Контакт с вращающимся шнековым механизмом может привести к получению травм или смертельному исходу.

Не прикасайтесь к нему руками, ногами или одеждой.

Очистка разгрузочного желоба является опасной процедурой.

- Запрещено производить очистку шнекового механизма от мусора или застрявшего снега во время работы устройства или при запущенном двигателе.
- Осуществляя обслуживание оборудования, заглушите двигатель и отсоедините провод свечи зажигания.
- Запрещено оставлять без присмотра устройство с работающим двигателем. Всегда отключайте шнековые механизмы и средства управления сцеплением, глушите двигатель и вынимайте ключи зажигания.
- Во время работы не допускайте на территорию детей, домашних животных и других посторонних лиц. Детей часто привлекают различные устройства. Помните о находящихся вокруг людях.
- Лица, одетые в свободную одежду, не должны приближаться к передней части снегоочистителя и шнековому механизму. Шарфы, варежки, свисающие шнурки, свободная одежда и брюки могут быть легко захвачены вращающимися деталями, что может привести к расчленению. Затяните длинные волосы и снимите украшения.
- Снегоочиститель предназначен только для уборки снега. Ни для каких других целей он не предназначен.
- Не осуществляйте очистку снега на поверхностях склонов. Проявляйте максимальную осторожность при смене направления на склонах. Не пытайтесь очистить крутые склоны.
- Не используйте снегоочиститель на поверхностях, находящихся над уровнем земли, например, на крышах жилых домов, гаражей и других подобных структур или зданий.



⚠ ОПАСНО

В разгрузочном желобе находится вращающееся колесо, отбрасывающее снег. Запрещено производить очистку разгрузочного желоба руками или во время работы двигателя.

Пальцы могут быть захвачены механизмом и оторваны или тяжело травмированы.

- Очистка разгрузочного желоба является опасной процедурой.
- Никогда не засовывайте руки в разгрузочный желоб и не размещайте руки возле него.
- После того, как двигатель ЗАГЛУШЕН, дождитесь остановки всех вращающихся деталей, а потом при помощи палки очистите желоб.
- В застрявшем снеге, находящемся в желобе, могут находиться другие помехи, способные привести к повреждению оборудования, крыльчатки и шнекового механизма. Будьте осторожны, запуская установку после удаления снега.



⚠ ОПАСНО

Объекты могут быть подобраны шнековым механизмом и выброшены из желоба.

Запрещено направлять отбрасываемый снег на людей или машины, а также запрещено нахождение людей перед снегоочистителем.

- Работая с устройством, следите за окружающей обстановкой. Прохождение через некоторые предметы, такие как гравий, коврики для ног, газеты, игрушки и камни, скрытые под снегом, может привести к выбрасыванию этих предметов через желоб или к их блокировке в шнековом механизме.
- Всегда следите, в каком направлении отбрасывается снег. Находящиеся неподалеку пешеходы, домашние животные или имущество могут быть ранены или повреждены выбрасываемыми объектами.
- Ознакомьтесь с территорией, на которой предстоит осуществить работы. Отметьте границы пешеходных дорожек и проезжей части, чтобы предотвратить повреждение имущества отбрасываемыми объектами.
- Будьте осторожны, направляя отбрасываемый снег на незнакомой территории. Будьте готовы к встрече с непредвиденными объектами или другими транспортными средствами.
- После столкновения с неизвестным объектом, ЗАГЛУШИТЕ двигатель, подождите, пока движущиеся детали остановятся и сразу произведите осмотр на предмет наличия повреждений. Если повреждения обнаружены, прежде, чем возобновить работу на снегоочистителе, устраните их.
- После того, как двигатель ЗАГЛУШЕН, дождитесь остановки вращающихся частей, а для очистки разгрузочного желоба всегда используйте палку.
- Если вибрация устройства усиливается, ЗАГЛУШИТЕ двигатель. Сильная вибрация обычно является признаком неисправности. Если необходимо, обратитесь к авторизованному дилеру, который произведет ремонт.



ПРЕДУПРЕЖДЕНИЕ

Двигатели вырабатывают окись углерода — ядовитый газ без запаха и цвета.

Попадание в легкие окиси углерода может привести к появлению тошноты, потере сознания или смерти.

- Запуск и работа двигателя должны осуществляться за пределами помещения.
- Не запускайте и не оставляйте работающим двигатель в помещении, даже если двери или окна открыты.



ПРЕДУПРЕЖДЕНИЕ

Топливо и его испарения легко воспламеняются и взрывоопасны.

Воспламенение или взрыв могут привести к тяжелым ожогам или смертельному исходу.

ПРИ ДОЛИВЕ ТОПЛИВА

- **ЗАГЛУШИТЕ** двигатель, дайте ему остыть минимум 1 или 2 минуты, и только после этого снимите крышку топливного бака.
- Заполнение топливного бака следует осуществлять за пределами помещения или в хорошо-вентилируемом помещении.
- Не следует переполнять топливный бак.
- Держите топливо на расстоянии от искр, открытого огня, зажженных горелок и других источников возгорания.
- Регулярно проверяйте топливопроводы, баки, крышки и патрубки на наличие трещин и протеканий. Если необходимо, произведите замену.

ПРИ ЗАПУСКЕ ДВИГАТЕЛЯ

- Убедитесь, что провод свечи зажигания, глушитель, крышка топливного бака и воздушный фильтр находятся на своих местах.
- Не заводите двигатель рукоятью при отключенном проводе свечи зажигания.
- В случае пролива топлива, подождите, пока оно испарится, и только после этого запускайте двигатель.
- Если произошел перелив топлива в карбюратор, и двигатель захлебывается, установите управление заслонкой в положение «OPEN/RUN» (Открыто/работа), регулятор подачи топлива в положение «FAST» (Быстро) и проворачивайте рукоятку, пока двигатель не заведется.

ПРИ ЭКСПЛУАТАЦИИ ОБОРУДОВАНИЯ

- Не перекрывайте заслонку карбюратора, чтобы заглушить двигатель.

ПРИ ТРАНСПОРТИРОВКЕ ОБОРУДОВАНИЯ


- Транспортировку следует осуществлять с ПУСТЫМ топливным баком.

ПРИ ХРАНЕНИИ ТОПЛИВА ИЛИ ОБОРУДОВАНИЯ С ПОЛНЫМ ТОПЛИВНЫМ БАКОМ

- Храните топливо на расстоянии от печей, плит, нагревателей воды или других устройств с горелками или другими источниками возгорания, поскольку они могут воспламенить испарения топлива.

ПРАВИЛА ПО БЕЗОПАСНОСТИ ИСПОЛЬЗОВАНИЯ



ПРЕДУПРЕЖДЕНИЕ: Данная машина может отрезать руки или руки, а также может отбрасывать объекты. Внимательно прочитайте данные правила и выполните всё именно так, как указано. Если Вы не будете следовать данным правилам, то это может привести к потере контроля за машиной, результатом чего могут быть физические травмы или смерть как для Вас так и для находящихся рядом с Вами людей, а также может быть нанесён вред частной собственности или оборудованию. Треугольник  в тексте означает то, что тем инструкциям или предупреждениям необходимо следовать безприкословно.

Безопасная работа на снегоочистителе

ВАЖНО: Стандарты безопасности требуют того, чтобы оператор агрегата постоянно присутствовал и держал всё под контролем для того, чтобы минимизировать риск травматизма. Ваш снегоочиститель снабжён такими средствами контроля. Не пытайтесь побороть функции контроля присутствия оператора ни под каким предлогом.

Тренировка

1. Прочитайте, поймите и следуйте всем инструкциям на агрегате и всем инструкциям, описанным в руководстве по использованию перед тем, как начнёте пользоваться данным агрегатом. Будьте хорошо осведомлены с функциями контроля и тем, как правильно использовать данное устройство. Знайте как прекратить работу устройства и как быстро выключить контрольные функции.
2. Никогда не позволяйте детям работать на данном устройстве. Никогда не позволяйте взрослым работать на данном устройстве.ю пока они не получают все необходимые инструкции.
3. Убедитесь в том, что на месте работы нет людей, в особенности маленьких детей или животных.
4. Применяйте бдительность, чтобы не подскользнуться ил чтобы не упасть, в особенности когда используете функцию обратного хода в данном устройстве.

Подготовка

1. Внимательно обследуйте место, где Вы собираетесь использовать данное устройство и уберите все коврики, санки, доски, провода и другие посторонние предметы.
2. Отключите все скорости и поставьте коробку передач в нейтральное положение перед тем, как включать двигатель (мотор).
3. Не используйте данное устройство, если на Вас не надета адекватная зимняя одежда. Наденьте обувь, которая сможет увеличить Вашу устойчивость в скользких местах. Избегайте широкой одежды, потому что она может застрять в двигающихся частях агрегата.
4. Аккуратно используйте топливо, потому что оно очень легко воспламеняется.
 - a. Используйте только одобренные к применению канистры для топлива.
 - b. Никогда не доливайте топливо в агрегат, если мотор работает или ещё не остыл.
 - c. Заливайте топливо в бензобак с повышенной осторожностью. Никогда не заливайте топливо в бак внутри закрытого помещения. Закрутите крышку бензобака очень плотно и вытрите подтёки топлива.

- d. Никогда не наполняйте контейнеры внутри машины или на грузовике или поддоне трейлера с пластмассовым керноприёмником. Всегда ставьте контейнер на землю, вдали от машины, перед тем, как начать переливать.
 - e. Когда возможно, снимайте устройства, работающие на топливе с грузовика или трейлера и заливайте топливо в них на земле. Если это невозможно, тогда заливайте топливо на таких трейлерах с применением переносных контейнеров вместо того, чтобы заливать бензин через горлышко бензобака.
 - f. Сохраняйте контакт пистолета заправочной колонки с ободом топливного бака или емкости на протяжении всего процесса заправки. Не следует использовать фиксатор открытого положения запорного устройства пистолета заправочной колонки.
 - g. Плотно закрутите крышку топливного бака и вытрите пролитое топливо.
 - h. Если топливо пролилось на одежду, немедленно переоденьтесь.
5. Для всех устройств с электродвигателями или с двигателями, оборудованными электрическим стартером, используйте удлинительные шнуры и розетки, указанные изготовителем.
 6. Подберите высоту корпуса коллектора, если необходимо произвести очистку поверхности, покрытой гравием или щебнем.
 7. Запрещено осуществлять какие-либо корректировки при работающем двигателе (за исключением ситуаций, отдельно оговоренных изготовителем).
 8. Перед началом уборки снега, дайте время двигателю и снегоочистителю адаптироваться к температуре окружающей среды.
 9. Во время работы на машине, или при проведении настройки или ремонтных работ, всегда одевайте защитные очки, чтобы уберечь глаза от посторонних объектов, которые могут быть выброшены из машины.
 10. Запрещено работать на снегоочистителе без установленных и работающих надлежащим образом защитных приспособлений, пластин и других устройств, обеспечивающих безопасность.

Эксплуатация

1. Запрещено прикасаться руками или ногами к вращающимся деталям. Разгрузочное отверстие всегда должно быть свободным.
2. Проявляйте особую осторожность при работе на дороге или пешеходной дорожке, покрытой гравием, а также пересекая их. Будьте готовы ко встрече с непредвиденными объектами или другими транспортными средствами.
3. Если произошло столкновение с посторонним предметом, заглушите двигатель, снимите провод свечи зажигания, отсоедините кабель от электродвигателя и тщательно осмотрите снегоочиститель на предмет каких-либо повреждений, и в случае их обнаружения, перед тем, как продолжить эксплуатацию снегоочистителя, произведите ремонтные работы по устранению этих повреждений.

4. В случае значительного повышения вибрации устройства, заглушите двигатель и выясните причину. Сильная вибрация обычно является признаком неисправности.
5. Всегда глушите двигатель, покидая рабочее место оператора, перед очисткой разгрузочного желоба, корпуса коллектора или крыльчатки, а также при осуществлении каких-либо ремонтных либо наладочных работ, а также осмотров.
6. При осуществлении очистки, ремонта или осмотра, убедитесь, что коллектор, крыльчатка и все движущиеся части остановлены. Отсоедините провод свечи зажигания и отведите его подальше от свечи зажигания, чтобы избежать случайного запуска.
7. Не запускайте двигатель в помещении, за исключением случаев, когда снегоочистителю необходимо заехать или выехать из помещения. Откройте входную дверь, так как выхлопные газы представляют собой опасность (они содержат **ОКИСЬ УГЛЕРОДА — СМЕРТЕЛЬНО ОПАСНЫЙ ГАЗ, НЕ ИМЕЮЩИЙ ЗАПАХА**).
8. Проявляйте максимальную осторожность при работе на склонах. Не пытайтесь очистить крутые склоны.
9. Запрещено работать на снегоочистителе без установленных и работающих надлежащим образом защитных приспособлений, пластин и других устройств, обеспечивающих безопасность.
10. Запрещено направлять разгрузочное отверстие на людей или территорию, на которой можно повредить имущество. Дети и другие посторонние лица не должны приближаться к снегоочистителю.
11. Не превышайте допустимую производительность машины, пытаясь произвести очистку снега на слишком высокой скорости.
12. Запрещено осуществлять эксплуатацию машины на высокой скорости, передвигаясь по скользкой поверхности. Смотрите в сторону движения и проявляйте осторожность при перемещении задним ходом.
13. Отсоедините питание от коллектора и лопастей, когда снегоочиститель транспортируется или не используется.
14. Устанавливайте только те приспособления и аксессуары, которые утвердил изготовитель снегоочистителя (например, кабины, цепи противоскольжения и т.д.).
15. Запрещено работать снегоочистителем при отсутствии достаточной видимости или надлежащего освещения. Всегда находите устойчивую опору и крепко держитесь за ручки. Перемещайтесь спокойным шагом, а не бегом.
16. Запрещено прикасаться к горячему двигателю или глушителю.
17. Запрещено использовать снегоочиститель рядом со стеклянными ограждениями, автомобилями, стеклянными стенами, оконными косяками, обрывами и т.д., не произведя надлежащей настройки угла отверстия разгрузки снега.
18. Запрещено направлять отверстие разгрузки на находящихся поблизости людей, также запрещено позволять кому-либо находиться перед устройством.
19. Запрещено оставлять без присмотра работающую машину. Всегда отключайте шнековые механизмы и средства управления сцеплением, глушите двигатель и вынимайте ключи.
20. Запрещено управлять снегоочистителем, находясь в состоянии алкогольного или наркотического опьянения.
21. Помните, что оператор несет ответственность за несчастные случаи, в которые были вовлечены другие люди или имущество.
22. Согласно статистическим данным, операторы в возрасте от 60 лет и выше имеют высокий процент травм, связанных с применением силовых приводов. Эти операторы должны оценить свою способность безопасно управлять устройством в достаточной степени, чтобы защитить себя и находящихся поблизости людей от травм.
23. **НЕ ОДЕВАЙТЕ** одевать длинные шарфы или свободную одежду, которая может попасть в движущиеся части.
24. Под снегом могут скрываться помехи. Перед уборкой снега очистите территорию от помех.

Дети

Если оператор небрежно отнесется к присутствию детей, может произойти трагический несчастный случай. Детей часто привлекают различные устройства и то, как они работают. Не следует думать, что дети постоянно будут оставаться на том же месте, где вы видели их в последний раз.

1. Дети должны покинуть убираемую территорию и находиться под присмотром другого ответственного совершеннолетнего лица.
2. Если дети зайдут на убираемую территорию, выключите машину.
3. Запрещено допускать детей к управлению машиной.
4. Будьте особенно внимательны, приближаясь к закрытым углам, кустам, деревьям или другим ограничивающим обзор объектам.

Очистка засоренного разгрузочного желоба

Самой распространенной травмой, которую получают на снегоочистителях, является повреждение руки при контакте с вращающейся крыльчаткой внутри разгрузочного желоба. Запрещено осуществлять очистку разгрузочного желоба руками.

Чтобы произвести очистку желоба:

1. **ЗАГЛУШИТЕ ДВИГАТЕЛЬ.**
2. Подождите 10 секунд, чтобы лопасти крыльчатки успели остановиться.
3. Для очистки всегда используйте специальный инструмент, а не свои руки.

Обслуживание, уход и хранение

1. Регулярно проверяйте, как затянуты срезные и другие винты, чтобы обеспечить безопасность работы оборудования.
2. Запрещено хранить машину с полным баком в помещениях с источниками возгорания, например, водяными нагревателями, обогревателями или сушильными аппаратами для одежды. Прежде, чем поместить машину в закрытое помещение, дайте время двигателю остыть.
3. Если снегоочиститель находится на хранении на протяжении длительного времени, обязательно учтите все указания по данному вопросу, приведенные в руководстве по эксплуатации.
4. Поддерживайте в читаемом виде или по мере необходимости заменяйте наклейки с инструкциями и указаниями по технике безопасности.
5. После окончания уборки снега, дайте поработать машине еще несколько минут, чтобы предотвратить замерзание коллектора и крыльчатки.
6. Если произошел разлив топлива, не запускайте двигатель, а откатите машину от места разлива и не создавайте источников зажигания, пока не развеются испарения топлива.
7. Внимательно следите за процессом заправки после транспортировки или хранения машины.
8. Всегда придерживайтесь инструкций из руководства по эксплуатации двигателя при подготовке к хранению как на короткий, так и на длительный период.
9. Всегда соблюдайте инструкции из руководства по эксплуатации двигателя для проведения надлежащего запуска при возобновлении эксплуатации.
10. Следите, чтобы гайки и болты были затянуты, и поддерживайте оборудование в хорошем состоянии.
11. Не следует пренебрежительно относиться к устройствам обеспечения безопасности. Регулярно проверяйте их состояние и ремонтируйте, если они не функционируют надлежащим образом.
12. Детали могут изнашиваться, повреждаться или ломаться. Регулярно проводите осмотр деталей и по мере необходимости производите замены компонентами, рекомендованными изготовителем.

13. Как можно чаще проверяйте функциональность средств управления. При необходимости производите наладку и обслуживание.
14. Проводя ремонт, для замен используйте только авторизованные детали.
15. Осуществляя наладки и настройки, всегда соблюдайте соответствие заводским характеристикам.
16. Для проведения капитального ремонта и полного обслуживания следует обращаться только на авторизованные станции технического обслуживания.
17. Без специальной подготовки запрещено производить серьезные ремонтные работы данного устройства. Выполненное ненадлежащим образом обслуживание может привести к авариям при эксплуатации, повреждениям оборудования и аннулированию гарантии изготовителя.

Выхлопы

1. Выхлопные газы двигателя данной машины содержат химические вещества, которые, в определенных количествах, могут вызывать рак, врожденные пороки развития и оказывать негативное воздействие на систему репродукции человека.
2. Просмотрите соответствующие данные о пределе устойчивости выхлопов и коэффициент воздействия на воздух, которые приведены в наклейке по выхлопам на двигателе.

Система зажигания

1. Эта система искрового зажигания соответствует канадскому стандарту ICES-002.

СБОРКА

Прочитайте и следуйте инструкциям по сборке и регулировке Вашего снегоочистителя. Все соединительные элементы находятся в коробке компонентов. Ничего не выбрасывайте, пока всё полностью не соберёте.



ПРЕДУПРЕЖДЕНИЕ: Перед тем как начинать какую-либо сборку или производить ремонт снегоочистителя, сначала отключите провод от свечи зажигания.

ПРИМЕЧАНИЕ: В данной брошюре инструкций, право и лево означают расположение частей со стороны оператора, находящегося сзади агрегата.

ПРИМЕЧАНИЕ: Торсион измеряется в футофунтах (метрически н/м2). Это измерение описывает, насколько сильно нужно закручивать гайки и шурупы. Торсион измеряется ключом с торсиомером.

ПРИМЕЧАНИЕ: Закрепители и отдельные части показаны в полный размер на Рисунке 2 на странице 175.

ПРИМЕЧАНИЕ: Иллюстрации находятся на странице 2 и на страницах 176 по 181.

Необходимые инструменты

- 1 Нож
- 1 Плоскогубцы
- 2 Полудюймовый гаечный ключ с открытым концом
- 2 9/16 дюймовый гаечный ключ с открытым концом
- 2 3/4 дюймовый гаечный ключ с открытым концом
- 1 Измирительная лента или линейка
- 1 Отвёртка

Как достать снегоочиститель из коробки

1. (Рисунок 3) Снегоочиститель показан так, как он находится в посылочном виде.
 2. Срежьте все четыре угла коробки и положите боковые панели ровно или используйте отрывной язычок для того, чтобы снять коробку с основания.
 3. Разрежьте и снимите пластиковые полоски, которые сдерживают рычаг и тягу от устройства управления частотой вращения.
 4. Найдите все компоненты, которые запакованы отдельно и выньте их из коробки.
 5. Достаньте и уберите упаковочные материалы, которые находятся вокруг снегоочистителя.
 6. (Рисунок 1) В целях пересылки высотная опорная рама (7) присоединена к платформе. Снимите болты (17), которыми прикреплена высотная опорная рама (7) к платформе.
 7. Придерживайте за нижнюю ручку и снимите снегоочиститель с платформы.
- ОСТОРОЖНО:** НЕ повредите кабели.
8. Снимите упаковочный материал с ручки агрегата.

9. Обрежьте полоски, которые сдерживают кабели коробки передач (1) от нижней ручки (2). Сдвиньте в сторону кабель от каркаса мотора.

Как собрать ручку

1. (Рисунок 4) Освободите, но не снимайте держатели (1) в верхних отверстиях нижней ручки (3).
 2. Снимите крепления с нижних отверстий на нижней рукоятке (3).
 3. (Рисунок 1) Поставьте рычаг переключения передач (6) в первое ходовое положение.
 4. (Рисунок 4) Поднимите верхнюю ручку (2) до рабочего положения.
- ПРИМЕЧАНИЕ:** Убедитесь в том, что кабеля не застряли между верхней и нижней ручкой.
5. Установите зажимы, что были сняты в пункте 2. Не закрепляйте их до тех пор, пока не установите все зажимы на свои места.
 6. Затяните все крепёжные устройства ручки.

Как установить рычаг переключения скорости

1. (Рисунок 9) Подсоедините сферическое соединение (6), расположенное на нижнем конце коробки передач (2), к вилке включения (7). А закрепительные устройства (8) были прикреплены к сферическому соединению (6) ещё на заводе.
- Длина сферического соединения (6) и провода от коробки передач (2) были также уже подкорректированы на заводе. Если необходима корректировка, открутите гайку (9). Снимите закрепительные устройства (8) чтобы отсоединить коробку передач (6) от вилки включения (7). Чтобы удлинить или укоротить провод от коробки передач (2), поверните адаптер (10) для того, чтобы получить необходимую длину.
2. (Рисунок 12) Присоедините ручку (11) к рычагу скоростей (5). На некоторые моделях ручка (11) уже установлена. Чтобы закрепить его в этом положении, прикрутите шестигранную зажимную гайку (10) к основанию ручки (11).
 3. Убедитесь в том, что рычаг переключения передач (5) функционирует правильно. Проверьте рычаг переключения передач (5) проведя его через все скорости.

Как установить маховики

ПРИМЕЧАНИЕ: Если маховики уже установлены, тогда перейдите к следующей секции.

Снимите наклонный желоб маховика (Рисунок 12)

1. Присоедините съёмный наклонный желоб маховика (1) на рычаг (3) чтобы он мог быть плотно присоединён гайкой (2). На некоторых моделях маховик (1) уже установлен.
2. Убедитесь в том, что козырёк (4) на съёмном наклонном желобе (1) направлен в сторону мотора.

3. Закрутите гайку (2) внизу съёмного наклонного желобе (1).

Как установить козырёк наклонного желоба

1. (Рисунок 6) Снимите болты с квадратными подголовками (1).
2. Поднимите детектор желоба (2) до рабочего положения (3).
3. Прикрепите козырёк наклонного желоба (2) к борту (4) при помощи болта с квадратным подголовком (1). Убедитесь, что установили головку болта с квадратным подголовком (1) на внутренней стороне борта (2).
4. Закрепите прокладками (5) и контргайками (6).
5. Закрутите контргайку (6) до упора.

ПРИМЕЧАНИЕ: Убедитесь, что все болты с квадратными подголовками на борту крепко закручены. НЕ ПЕРЕЗАТЯГИВАЙТЕ.

Проверьте кабели

1. (Рисунок 8) Проверьте кабель фрикционного привода (1) и кабель привода бурава (2). Если основания кабелей отошли, переустановите кабели.
2. (Рисунок 10) Если верх кабелей (5) отсоединились от ходовых рычагов (6), присоедините кабеля (5) к прикреплению «Z» (7).

Как остановить высоту платформы (Рисунок 1)

Снегоочиститель оснащён опорными рамками, имеющие возможность изменять высоту (7) и они прикреплены к внешней стороне области бурава (4). Чтобы установить желаемую высоту опорных рамок, обратитесь к разделу «Как изменить высоту платформы» в разделе «Обслуживание».

Как установить длину кабелей

Длина кабелей была определена на заводе и нет дополнительной необходимости определять их длину. Но несмотря на это, когда ручки установлены в рабочее положение, кабели могут быть или длинноватыми или коротковатыми. Если необходимо произвести корректировку, тогда обратитесь к разделу «Как проверить и изменить кабели» в разделе «Обслуживание и корректировка».

Как установить разбиватель заноса (если предусмотрено в комплекте)

Разбиватели заноса предусмотрены для того, чтобы прокладывать путь через более высокий уровень снега, чем установлен уровнем бурава.

1. (Рисунок 11) Открутите крепёжные устройства (2), которые прикрепляют разбиватели заноса (1) к месту бурава.
2. Поднимите разбиватели заноса (1) до необходимой высоты.
3. Закрутите крепёжные устройства (2).

Как подготовить мотор

ПРИМЕЧАНИЕ: С завода поставляется мотор, который уже наполнен маслом. Проверьте уровень масла. Добавьте масла, если необходимо.

ПРЕДУПРЕЖДЕНИЕ: Тщательно следуйте инструкциям производителя о моторе, а также относительно вида топлива и масла, которые нужно применять. Всегда пользуйтесь безопасным контейнером для топлива. Не курите, когда добавляете топливо в мотор. Не наполняйте бензобак, находясь в замкнутом помещении. Перед тем, как добавлять топливо, выключите мотор. Дайте мотору остыть в течение нескольких минут.

Проверьте масло. Просмотрите инструкции производителя о моторе, а также относительно вида топлива и масла, которые нужно применять. Перед тем как начинать использовать агрегат, прочитайте информацию о безопасности, работе, ремонте и хранении.

Важно! Перед тем, как Вы начнёте применение

- Проверьте крепёжные устройства. Убедитесь, что все крепёжные устройства закручены.
- На моделях с электрическим включением- агрегат был поставлен с пусковым тросиком, включённым в мотор. Перед началом использования нужно вынуть пусковой тросик из мотора.

ИСПОЛЬЗОВАНИЕ

ПРИМЕЧАНИЕ: Иллюстрации находятся на странице 2 и на страницах 176 по 181.

ПРЕДУПРЕЖДЕНИЕ: Используйте только те комплектующие и оснастки, которые были одобрены производителем для снегоочистителя (к примеру: цепь против скольжения, электрическое пусковое устройство и т.п.).

Найдите свой снегоочиститель (Рисунок 1)

Прочитайте Книгу Инструкций и правила по безопасности перед тем, так начинать использовать снегоочиститель. Сравните иллюстрации с Вашим снегоочистителем для того, чтобы лучше ознакомиться с расположением различных управляющих и регулирующих.

Как контролировать выброс снега

ПРЕДУПРЕЖДЕНИЕ: Ни в коем случае никогда не направляйте отвод снега на посторонних.

ПРЕДУПРЕЖДЕНИЕ: Всегда выключайте мотор перед тем, как производить прочистку спускного жёлоба или шнекового бура, а также перед тем, как оставить снегоочиститель.

1. (Рисунок 5) Сдвиньте переключатель электрического желоба (2) по направлению (слева направо) откидываемого снега.

2. Дёрните съёмный наклонный желоб (17) назад, что достать снег, находящийся высоко или далеко. Надавите на съёмный наклонный желоб (17) вперёд для того, чтобы сбросить снег.

Как остановить снегоочиститель (Рисунок 1)

1. Для остановки отброса снега, освободите рычаг рабочей буравки (5).
2. Для остановки колёс, освободите рычаг рабочей тяги (1).
3. Для того, чтобы выключить мотор на моделях, оснащённых дроссельным регулированием (13), сначала переведите дроссельное регулирование (13) в положение Медленно/ SLOW и только затем переведите его в положение Стоп/STOP.
4. Для того, чтобы выключить мотор на моделях, оснащённых включателем зажигания (13), переведите включатель зажигания (13) в положение Выключить/OFF.
5. Дёрните и вынимите ключ безопасности (8).

ОСТОРОЖНО: Чтобы выключить мотор, не передвигайте управление заслонкой в положение «ЗАСЛОНКА/СНОКЕ». Может произойти обратный запуск или повреждение мотора.

Как двигаться вперёд (Рисунок 1)

1. Для того, чтобы изменить рабочую скорость, сначала отпустите рычаг рабочей тяги (1), а затем переведите коробку передач (6) в необходимую скорость.
2. Скорость движения обусловлена состоянием снега. Выберете скорость, передвигая рычаг коробки передач (6) до необходимого уровня по панели скоростей.

Скорость 1 и 2	Влажный, Тяжёлый
Скорость 3	Лёгкий
Скорость 4	Очень лёгкий
Скорости 5 и 6	Только транспортировка
3. Для того, чтобы двигаться вперёд, освободите рычаг рабочей тяги (1). Крепко держите за ручку в то время, как снегоочиститель начнёт двигаться вперёд. Направляйте снегоочиститель движением ручки налево или направо. Не пытайтесь толкать снегоочиститель.
4. Для того, чтобы двигаться назад, освободите рычаг рабочей тяги (1).
5. Передвиньте рычаг коробки передач (6) в первую или во вторую скорость обратного хода.
6. Задействуйте рычаг работы буравки (1).

ВАЖНО: Не передвигайте рычаг коробки передач (6) в то время, как задействован рычаг работы буравки (1).

Как отбрасывать снег (Рисунок 1)

1. Задействуйте рычаг работы буравки (5).
2. Для остановки отброса снега, освободите рычаг работы буравки (5).

ПРЕДУПРЕЖДЕНИЕ: Управление любым снегоочистителем может привести к тому, что посторонние предметы могут быть отброшены в глаза и это может привести к серьёзному повреждению глаза. Всегда носите очки безопасности или защитные очки во время использования снегоочистителя. Мы рекомендуем стандартные защитные очки или применение обзорной защитной маски поверх Ваших очков.

Как пользоваться рукоятками с подогревом (Рисунок 5)

ПРЕДУПРЕЖДЕНИЕ: Рукоятки с подогревом предусмотрены для использования при температурах ниже 0° Цельсия (32° градусов шкалы термометра Фаренгейта). Не включайте рукоятки с подогревом, если температура выше 0° Цельсия (32° градусов шкалы термометра Фаренгейта).

Когда температура опускается ниже 0° Цельсия (32° градусов шкалы термометра Фаренгейта), пользуйтесь подогревом в рукоятках, чтобы Вашим рукам было тепло. Переведите кнопку включения рукояток с подогревом (20) в положение «Включить/ON». Пройдёт несколько минут перед тем, как рукоятки станут тёплыми. Так как рукоятки станут очень даже тёплыми, мы рекомендуем чтобы Вы использовали перчатки. Если Вы посчитаете, что рукоятки слишком тёплые, то просто выключите обогрев.

Перед тем, как заводить мотор

1. Перед тем, как Вы начнёте использование или применение мотора, ознакомьтесь со снегоочистителем. Убедитесь в том, что понимаете функции и местонахождение всех контролирующих.
2. Проверьте упругость кабеля переключателя скоростей перед тем, как включите мотор. Посмотрите «Как подкорректировать кабель коробки переключения скоростей» в разделе «Обслуживание» в данной инструкции.
3. Убедитесь в том, что все крепёжные устройства затянуты.
4. Убедитесь в том, что высота рамы установлена правильно. Посмотрите «Как подкорректировать высоту рамы» в разделе «Обслуживание» в данной инструкции.
5. Проверьте давление воздуха в шинах. Правильное давление в шинах равняется 1 BAR (14 фунт/кв. дюйм) 1,25 BAR (17 фунт/кв. дюйм). Не переходите высшего максимального предела давления, указанного на одной из сторон шины.

Как остановить мотор (Рисунок 1)

1. Для того, чтобы выключить мотор на моделях, оснащённых дроссельным регулированием (13), сначала переведите дроссельное регулирование (13) в положение Медленно/ SLOW и только затем переведите его в положение Стоп/STOP.
2. Для того, чтобы выключить мотор на моделях, оснащённых включателем зажигания (13), переведите включатель зажигания (13) в положение Выключить/OFF.

3. Дёрните и выньте **ключ безопасности (8)**. Храните **ключ (8)** в надёжном месте. Мотор не может быть заведён без **ключа (8)**.

ОСТОРОЖНО: Чтобы выключить мотор, не передвигайте управление заслонкой в положение «**ЗАСЛОНКА/ СНОКЕ**». Может произойти обратный запуск или повреждение мотора.

Как запустить мотор (Рисунок 1)

Модели, которые оснащены электрическим запуском

ПРИМЕЧАНИЕ: Блок электрического запуска может быть добавлен для того, чтобы запускать мотор. Блок электрического запуска может быть приобретён в ближайшем авторизованном сервисном центре.



ПРЕДУПРЕЖДЕНИЕ: Блок запуска оснащён трёх-проводным проводом питания и выключателем и разработан для работы на 220 вольт тока, поставляемого в дома. Шнур питания должен быть постоянно заземлён для того, чтобы избежать возможного электрического шока, который может произойти с человеком, работающим с агрегатом. Внимательно следуйте инструкциям в разделе «Как включить мотор». Убедитесь в том, что подача тока в Ваш дом осуществляется по трёх-проводной заземлённой системе. Если Вы в этом не уверены, тогда проконсультируйтесь с лицензированным электриком. Если в Вашем доме не используется трёх-проводная заземлённая система, но не имеет розеток с тремя дырками, что необходимо для электрического запуска, тогда обратитесь к лицензированному электрику для установки трёх-проводной системы. Для того, чтобы подключить 220-вольтный провод запуска, всегда сначала включайте провод запуска через переходную соединительную коробку (11) на моторе. Затем, подсоедините другой конец в заземлённую розетку с тремя дырками. Когда отключаете шнур питания, всегда отключайте сначала его конец от розетки с тремя дырками.

Как запустить охлаждённый мотор (Рисунок 1)

1. Проверьте моторное масло.
2. Используйте обычный неэтилированный бензин. Смотрите «Как подготовить мотор».
3. Убедитесь, что **рабочий рычаг фрикционного привода (1)** и **рабочий рычаг бурова (5)** находятся в **незакрепленном (освобожденном)** положении.

4. Для того, чтобы включить мотор на моделях, оснащённых **выключателем зажигания (13)**, переведите **выключатель зажигания (13)** в положение **Быстро/FAST**. Используйте мотор с **выключателем зажигания (13)** в положение **Быстро/FAST**.
5. Для того, чтобы включить мотор на моделях, оснащённых **выключателем зажигания (13)**, переведите **выключатель зажигания (13)** в положение **Включить/ON**.
6. Вставьте **ключ (8)** во **выключатель зажигания**. Убедитесь в том, что **ключ (8)** защёлкнулся в своём месте. **Не поворачивайте ключ (8)**.
7. Переведите **управление заслонкой (14)** в положение заслонки «**полное/full**».
8. (**Электрическое включение**) Соедините шнур питания с **пусковым двигателем, (11)** находящимся на моторе.
9. (**Электрическое включение**) Подключите другой конец шнура питания в трёх-проводную заземлённую розетку на 220 вольт. (Смотрите **ПРЕДУПРЕЖДЕНИЯ** в данном разделе).
10. Нажмите **кнопку прокачки (9)**. Каждый раз, когда Вы нажимаете **кнопку прокачки (9)**, подождите две секунды. Для информации о том, сколько раз нужно нажимать **кнопку прокачки (9)**, обратитесь к инструкциям производителя по поводу мотора.
11. (**Электрическое включение**) Нажмите **кнопку электрического включения (10)** и подождите, чтобы включился мотор. Не заводите более чем в течение 5 секунд за раз. Подождите одну минуту с момента запуска для того, чтобы стартёр остыл.
12. (**Запуск путём обратной отдачи**) Медленно дёрните за **ручку стартёра обратной отдачи (12)**, пока не почувствуете сопротивление и затем дёрните быстро, чтобы запустить мотор. Не позволяйте **ручке стартёра обратной отдачи (12)** резко раскручиваться. Медленно верните **ручку стартёра обратной отдачи (12)**.
13. Если мотор не запускается за 5 или 6 раз, обратитесь к секции в инструкции, называемой «**Таблица решения проблем**».
14. Дайте мотору возможность прогреться в течение нескольких минут. В то время как мотор прогревается, подкорректируйте **рукоятку «подсоса» (14)** в сторону положения «**ПРИМЕНИТЬ/RUN**». Подождите пока мотор не начнёт работать устойчиво перед тем, как корректировать **рукоятку «подсоса»**.
15. (**Электрическое включение**) Вначале отключите шнур питания от трёх-вилковой розетки. Затем, отсоедините шнур питания от **распределительной коробки (11)**.

ПРИМЕЧАНИЕ: При температуре ниже **-18° Цельсия (0° градусов по шкале термометра Фаренгейта)**, дайте мотору прогреться несколько минут перед тем, как начать убирать снег.

16. Когда происходит отброс снега, всегда в моторе должен работать **дрессельное регулирование (13)**, если предусмотрено моделью, в быстром положении.



ПРЕДУПРЕЖДЕНИЕ: Никогда не включайте мотор внутри помещения или в закрытых, плохо проветриваемых местах. Выхлопные газы мотора содержат окись углерода, это непахнущий и смертельный газ. Держите руки, ноги, волосы и неприлегающую к телу одежду в стороне от движущихся компонентов, расположенных на моторе или на самом снегоочистителе. Температура глушителя и в близлежащих к нему местах может превышать **66° Цельсия (150° градусов по шкале термометра Фаренгейта)**. Остерегайтесь этих мест.

Как запустить разогретый мотор (Рисунок 1)

Если мотор работал и ещё тёплый, оставьте **управление заслонкой (14)** в выключенном положении и не нажимайте **кнопку прокачки (9)**. Если мотор не включится, следуйте инструкциям «Как запустить охлаждённый мотор».

ПРИМЕЧАНИЕ: Не используйте **кнопку прокачки (9)** для запуска разогретого мотора.

Как запустить мотор с замёрзшим электрическим пусковым устройством (Рисунок 1)

Если пусковое устройство замёрзло и не запускает мотор, последуйте нижеперечисленным инструкциям.

1. Выдерните как можно больше пускового шнура из стартёра.
2. Освободите пусковую ручку и дайте ей возможность защёлкнуться обратно за стартёр. Повторяйте до тех пор, пока мотор не запустится.

Тёплый мотор быстро остывает во время холодной погоды. Чтобы ограничить возможность потенциального замерзания стартёра и контролирующих мотора, действуйте следующим образом после каждой уборки снега.

1. Перед тем, как послать на хранение, дайте снегоочистителю возможность поработать пару минут, чтобы избежать возможное замерзание бурова/ рабочего колеса.
2. Когда мотор выключен, дайте ему возможность остыть в течение нескольких минут.
3. Дёрните за шнур стартёра очень медленно, пока не почувствуете сопротивление и тогда остановитесь. Дайте возможность шнуру стартёра произвести отдачу. Повторите три раза.
4. Когда мотор не работает, вытрите весь снег и всю влагу с крышки карбюратора, в районе управляющих и рычагов. Также, сдвиньте управление заслонкой и ручку стартёра несколько раз.

Как убрать снег или остатки в области бурава 7



ПРЕДУПРЕЖДЕНИЕ: Не пытайтесь убирать снег или остатки, который попали в область бурава без принятия следующих предосторожностей. Используйте очистительные инструменты или очиститель для удаления снега или остатков.

(Рисунок 7) На некоторых моделях очистительный инструмент прикреплён к крышке бурава. Используйте очистительный инструмент для того, чтобы очистить снег с крышки бурава.

1. (Рисунок 1) Освободите рычаг работы буровки (5).
2. Выключите мотор.
3. Выньте (не поворачивайте) ключ (8).
4. Отключите провод свечи зажигания.
5. Не кладите свои руки в область бурава (4) или на разгрузочный жёлоб (3).
6. (Рисунок 7) Используйте очистительный инструмент (1) или очиститель для удаления снега или остатков.

Подсказки по уборке снега

1. Для максимальной эффективности снегоочистителя, подкорректируйте его скорость. Работайте медленнее в глубоком, замерзающем или мокром снегу. Если колёса буксуют, тогда уменьшите скорость продвижения вперёд. Самая эффективная уборка снега может быть произведена тогда, когда снег будет убран сразу после того, как выпал.
2. **ОСТОРОЖНО: Не превышайте допустимую производительность машины, пытайтесь произвести очистку снега на слишком высокой скорости.**
3. Для полной уборки снега понемногу пересекайте предыдущие пути, где Вы уже расчистили.
4. Когда только возможно, распыляйте снег по направлению ветра.
5. Для нормального использования, установите раму так, чтобы ложеобразователь находился на 3 мм (1/8 дюйма) выше рамы. Если снег слишком сбился, подкорректируйте раму, приподняв её так, чтобы ложеобразователь дотрагивался до земли.

6. Камешки и гравий не должен пониматься и раскидываться данной машиной. На поверхностях, покрытых гравием или мелкими камешками, установите раму на 32 мм (1-1/4 дюйма) ниже ложеобразователя. Посмотрите «Как подкорректировать высоту рамы» в разделе «Обслуживание».
7. После каждой снегоочистительной работы дайте мотору возможность поработать ещё пару минут. Таким образом снег и собравшийся лёд смонут растаять на моторе.
8. Прочищайте снегоочиститель после каждого использования.
9. Удалите лёд, снег и остатки полностью, со всего снегоочистителя. Обмывайте водой для того, чтобы удалить всю соль и другие химикаты. Вытирайте снегоочиститель насухо.

РЕГЛАМЕНТ ОБСЛУЖИВАНИЯ

ОТВЕТСТВЕННОСТИ КЛИЕНТА

ЗАПИСИ ОБ ОБСЛУЖИВАНИИ Записывайте даты, когда Вы производите полное обычное обслуживание.							Перед хранением	ДАТЫ ОБСЛУЖИВАНИЯ
	Перед каждым использованием	Первые 2 часа	Каждые 5 часов	Каждые 10 часов	Каждые 25 часов	Каждый сезон		
Проверка уровня машинного масла	√		√			√		
Замена моторного масла					√	√		
Проверка и закрепление всех винтов и гаек	√					√		
Проверка запальной свечи					√	√		
Корректировка рабочего ремня		√			√	√		
Проверка топлива	√							
Слив топлива							√	
Проверка регулировки буровного тросика сцепления (Смотрите Регулировку кабелей)		√				√		
Проверка регулировки кабеля тяговой муфты (Смотрите Регулировку кабелей)		√				√		
Смазка всех мест вращений				√			√	
Смазка вала шнека (Смотрите Замена срезного болта)				√			√	
Смазка рабочей цепи и цепной шестерни				√			√	

ОБСЛУЖИВАНИЕ

ПРИМЕЧАНИЕ: Иллюстрации находятся на странице 2 и на страницах 176 по 181.

Используйте данный раздел по обслуживанию для получения информации о моторе и инструкциях производителя о моторе. Вся информация по обслуживанию мотора находится в разделе инструкций производителя мотора. Перед тем как включать мотор, прочитайте данную книжку.



ПРЕДУПРЕЖДЕНИЕ: Перед тем, как производить проверку, регулировку (кроме карбюратора) или ремонт, отключите провод от запальной свечи.

Общие рекомендации

Гарантия по данному снегоочистителю не покрывает предметы, которые были неправильно или злоумышленно использованы оператором машины. Чтобы получить полный спектр гарантии, оператор обязан содержать снегоочиститель соответственно инструкциям в данном руководстве.

Некоторые корректировки должны быть произведены периодически, чтобы снегоочиститель работал правильно.

После каждого использования

- Проверьте, не открутились и не испортились ли какие-то компоненты.
- Закрепите все отошедшие зажимные устройства.
- Проверьте и откорректируйте бурав.
- Проверьте все контролирующие, для того, чтобы убедиться, что они функционируют правильно.
- Если какие-либо детали износились или повреждены, немедленно их замените.
- Проверьте все инструктирующие бирки и пометки. Замените все бирки или пометки, которые отошли или не могут быть легко прочитаны.

Все пункты из раздела регулировок, описанные в разделе Обслуживание в данной брошюре должны быть проверяемы Вами, по крайней мере, каждый сезон.

Как требуется

Последующие виды обслуживания должны проводиться более чем один раз в сезон.

1. Корректировка рабочего ремня бурава должна проводиться каждые 2-4 часа, затем снова в середине сезона и дважды каждый сезон после этого. Посмотрите «Как подкорректировать рабочий ремень бурава» в разделе «Обслуживание».

Смазка

Каждые 10 часов (Рисунок 14)

1. Смазывайте маслянную арматуру (1) каждые десять часов с применением шприца для смазки.
2. Каждый раз, когда заменяется срезной болт, необходимо смазывать вал шнека.
3. Смажьте все точки вращения.

Каждые 25 часов

Цепи

1. (Рисунок 1) Поставьте рычаг переключения передач (6) на первую скорость.
2. Слейте бензин из бензобака. Поставьте снегоочиститель на переднюю сторону крышки рамы (4).



ПРЕДУПРЕЖДЕНИЕ: Сливайте бензин на улице, вдали от огня или пламени.

3. (Рисунок 22) Открутите болты (3) на обеих сторонах нижней стенки (2).
 4. Снимите нижнюю стенку (2).
 5. (Рисунок 15) Смажьте цепи (5) маслом, предназначенным для цепей.
 6. Протрите шестигранную ручку и цепную шестерню (6) моторным маслом 5W30.
- ПРИМЕЧАНИЕ:** Если масло войдёт в контакт с панелью дисковода (1) или фрикционным колесом (3), может быть нанесён вред. Очистите остатки масла раствором с содержанием спирта.
7. (Рисунок 22) Установите нижнюю стенку (2).
 8. Закрутите болты (3) на обеих сторонах нижней стенки (2).

Детали, которые не нужно смазывать (Рисунок 15)

1. Не нужно смазывать шестигранную ручку и цепную шестерню (6). Все опоры и переходники смазаны один раз и навсегда. Для хранения, нанесите небольшое количество моторного масла 5W-30 на тряпочку и протрите шестигранную ручку и цепную шестерню (6) чтобы не образовывалась ржавчина.
 2. Если масло вступит в контакт с панелью дисковода (1) или фрикционным колесом (3), то фрикционное колесо (3) может быть повреждено. Убедитесь в том, что Вы очень хорошо прочистили панель дисковода (1) и фрикционное колесо (3).
- ОСТОРОЖНО:** Любое попадание масла на вышеперечисленные детали может загрязнить фрикционное колесо (3). Если панель дисковода (1) или фрикционное колесо (3) загрязнятся маслом, то может произойти повреждение фрикционного колеса.
3. Бурав был покрыт маслом на заводе и нет необходимости в том, чтобы его протирать маслом. Если по какой-либо причине протечёт масло, проверьте бурав в сервисном центре, авторизованном заводом для обслуживания.

Как установить высоту рамы (Рисунок 1)

В данном снегоочистителе есть два варианта высоты рамы (7). Эти рамы поднимают переднюю часть снегоочистителя. Для использования на обычных твёрдых поверхностях, таких как дорожки к дому или тротуары, подкорректируйте рамы следующим образом.

1. Поставьте снегоочиститель на ровную поверхность.

2. Убедитесь в том, что оба колеса хорошо накачены. Правильное давление в шинах равняется от 1 BAR (14 фунт/кв. дюйм) до 1,25 BAR (17 фунт/кв. дюйм). Не накачивайте шины больше, чем указано на самой шине.
3. Поставьте дополнительные срезные болты (которые можно найти в коробке деталей) под каждый из ложеобразователей (15) рядом с регулируемыми рамами (7).
4. Раскрутите закрепляющие болты (16), которые держат регулируемые платформы (7). Для того, чтобы отпустить переднюю часть снегоочистителя, поднимите каждую из регулируемых рам (7). Закрутите закрепляющие болты (16).

ПРИМЕЧАНИЕ: На каменистых и неровных поверхностях приподнимите переднюю часть снегоочистителя, опустите регулируемые рамы (7) вниз.



ПРЕДУПРЕЖДЕНИЕ: Убедитесь в том, что место, которое Вы собираетесь расчищать не имеет на нём посторонних объектов. Такие объекты как гравий, камешки и другие помехи для снегоочистителя-если их засосёт в агрегат, то они могут быть выброшены с большой силой, что может вызвать травму у человека, нанести вред собственности, а также повредить сам снегоочиститель.

Как подкорректировать ложеобразователь (Рисунок 1)

После долгого использования, сам ложеобразователь (15) может износиться. Сам ложеобразователь (15), вместе с рамами, должны быть подкорректированы таким образом, чтобы было расстояние в 3 мм (1/8 дюйма) между ложеобразователем (15) и дорогой или местом, которое должно быть расчищено.

1. Поставьте снегоочиститель на ровную поверхность.
2. Убедитесь в том, что оба колеса хорошо накачены. Правильное давление воздуха должно составлять от 1 BAR (14 фунт/кв. дюйм) до 1,25 BAR (17 фунт/кв. дюйм). Не накачивайте шины больше, чем указано на самой шине.
3. Открутите болты с квадратными подголовками и их шурупы, которые прикрепляют ложеобразователь (15) с бураву (4).
4. Подкорректируйте ложеобразователь (15) так, чтобы было расстояние в 3 мм (1/8 дюйма) между ложеобразователем (15) и дорожкой или местом, которое Вы собираетесь расчищать.
5. Закрутите болты с квадратными подголовками и их шурупы. Убедитесь в том, что ложеобразователь (15) находится абсолютно параллельно дорожке или месту, которое Вы собираетесь расчищать.
6. Чтобы продлить рабочее использование ложеобразователя (15), снимайте и поворачивайте ложеобразователи (15).

Как проверять и корректировать кабели

Кабель фрикционного привода и кабель бурава подкорректированы на заводе. Во время обычного использования, кабели могут растянуться и должны быть проверены и подкорректированы следующим образом.

Как проверить кабели (Рисунок 16)

1. Для того, чтобы проверить правильна ли длина, отсоедините «Z» деталь (1) с рабочего рычага (2).
2. Подвиньте рабочий рычаг (2) вперёд до тех пор, пока рабочий рычаг (2) не войдёт в контакт с пластиковым бампером (3).
3. Контролирующий кабель установлен правильно, если центр «Z» детали (1) находится на уровне (4) отверстий в рабочем рычаге (2) и кабель не провисает.

Как корректировать контролирующий кабель бурава

1. Слейте бензин из бензобака. Поставьте снегоочиститель на переднюю сторону крышки бурава.



ПРЕДУПРЕЖДЕНИЕ: Сливайте бензин на улице, вдали от огня или пламени.

2. (Рисунок 16) Отсоедините «Z» деталь (1) от рабочего рычага (2).
3. (Рисунок 17) Отдёрните крышку пружины, чтобы открыть пружину (5). Протолкните кабель (6) через пружину (5) чтобы стало видно квадратный конец (7) на кабеле (6).
4. Придерживайте квадратный конец (7) плоскогубцами и подкорректируйте контргайку (8) вперёд или назад, до того, пока лишнее провисание провода не будет удалено.
5. Дёрните кабель (6) назад через пружину (5).
6. (Рисунок 16) Отсоедините «Z» деталь (1) от рабочего рычага (2).

ПРИМЕЧАНИЕ: Когда бурав будет подкорректирован или заменён, проверьте и подкорректируйте кабель.

Как корректировать кабель фрикционного привода

1. Слейте бензин из бензобака. Поставьте снегоочиститель на переднюю сторону крышки бурава.



ПРЕДУПРЕЖДЕНИЕ: Сливайте бензин на улице, вдали от огня или пламени.

2. (Рисунок 22) Открутите болты (3) на обеих сторонах нижней стенки (2).
3. Снимите нижнюю стенку (2).
4. (Рисунок 16) Отсоедините «Z» деталь (1) от фрикционного привода (2).
5. (Рисунок 27) Спустите чехол тросика (3) с держателя корректировочного кабеля (4).
6. Протолкните кабель регулировки тягового усилия (5) через держателя корректировочного кабеля (4) до тех пор, когда «Z» крючок (6) может быть достан.

7. Снимите «Z» крючок (6) с держателя корректировочного кабеля (4). Продвиньте «Z» крючок (6) вниз, до следующего корректировочного отверстия.
8. Дёрните кабель фрикционного привода (5) вверх через держателя корректировочного кабеля (4).
9. Положите чехол тросика (3) поверх держателя корректировочного кабеля (4).
10. (Рисунок 16) Установите «Z» деталь (1) в фрикционный привод (2).
11. (Рисунок 15) Для того, чтобы проверить корректировку, отожмите рабочий рычаг и проверьте длину «А» в рабочей пружине (7). Если корректировка произведена правильно, то длина «А» в рабочей пружине (7) будет следующей: минимум 76 мм (3 дюйма) максимум 85 мм (3-3/8 дюйма).
12. (Рисунок 22) Установите нижнюю стенку (2).
13. Закрутите болты (3) на обеих сторонах нижней стенки (2).

Как подкорректировать ремни

Ремни будут растягиваться при обычном использовании. Если Вам необходимо подкорректировать ремни из-за того, что они растянулись с результате работы, тогда процесс корректировки должен быть таким, как описано ниже.

Как корректировать контролирующий кабель бурава

Если снегоочиститель не отбрасывает снег, проверьте корректировку рабочего кабеля бурава. Посмотрите «Как поверить и подкорректировать кабели» в разделе «Обслуживание». Если корректировку проводить не надо, тогда проверьте состояние рабочего ремня бурава. Если рабочий ремень бурава повреждён, тогда замените рабочий ремень бурава на новый. Посмотрите «Как заменять ремни» в разделе «Обслуживание». Если рабочий ремень бурава провисает, тогда подкорректируйте его следующим образом.

1. Отключите провод свечи зажигания.
2. (Рисунок 18) Снимите болты (2) с крышки ремня (1). Снимите крышку ремня (1).
3. (Рисунок 19) Открутите гайку (2) на направляющем шкиве (3) Сдвиньте направляющий шкив (3) на 3 мм (1/8 дюйма) в сторону рабочего ремня бурава (4).
4. Закрутите гайку (2).
5. (Рисунок 21) Отожмите рабочий ремень бурава. Проверьте упругость рабочего ремня бурава (4). При правильном состоянии рабочий ремень бурава (4) отклонится на 12,5 мм (1/2 дюйма) (5) под давлением средней величины. Если состояние его неправильное, по повторите корректировку.
6. (Рисунок 18) Установите крышку ремня (1). Закрутите винты (2).

7. Проверьте корректировку рабочего кабеля бурава. Посмотрите «Как поверить и подкорректировать кабели» в разделе «Обслуживание».
8. Подсоедините провод свечи зажигания.

Ремень фрикционного привода

В ремне фрикционного привода есть постоянное пружинное давление и нет необходимости в его корректировке. Если ремень фрикционного привода сполз, то его нужно заменить. Посмотрите «Как заменять ремни» в разделе «Обслуживание».

Как заменить ремни

Рабочие ремни имеют особую конструкцию и должен быть заменены только ремнями, произведенными на заводе и доступными для покупки в ближайшем уполномоченном центре обслуживания.

Для выполнения некоторых из пунктов необходима помощь второго человека.

Как снять рабочий ремень бурава

Если рабочий ремень бурава повреждён, снегоочиститель не будет отбрасывать снег. Замените повреждённый ремень таким образом:

1. Отключите провод свечи зажигания.
 2. (Рисунок 22) Снимите болты (1) на обеих сторонах нижней стенки (2).
 3. Раскрутите болты (3) на обеих сторонах нижней стенки (2).
 4. Снимите нижнюю стенку (2).
 5. (Рисунок 18) Снимите болты (2) с крышки ремня (1). Снимите крышку ремня (1).
 6. (Рисунок 19) Открутите направляющую ремня (9). Снимите направляющую ремня (9) с ведущего ролика бурава (10).
 7. Снимите направляющий штифт (3) с ремня рабочего бурава (4) и просуньте рабочий ремень бурава (4) с направляющего штифта (3).
 8. Снимите рабочий ремень бурава (4) с моторного блока (11). Чтобы снять ремень рабочего бурава (4), для этого моторный блок (11) должен быть частично провернут.
 9. (Рисунок 20) Снимите верхние четыре болта (21), которые держат место бурава (22) и моторную коробку (23). Раскрутите нижние два болта (24). Теперь место бурава (22) и моторная коробка (23) могут быть разъединены для того, чтобы можно было снять ремень.
 10. (Рисунок 19) Снимите старый рабочий ремень бурава (4) с ведущего шкива бурава (10). Замените рабочий ремень бурава (4) другим ремнём, произведённым заводом-производителем и который Вы купили в лицензированном сервисном центре.
 11. Установите новый рабочий ремень бурава (4) на ведущий шкив бурава (10).
- ПРИМЕЧАНИЕ:** Для того, чтобы подсоединить район бурава (22) к коробке мотора (23), попросите кого-то поддержать сцепной рычаг бурава в положении Работа/ ENGAGED. Это поможет продвинуть маятниковый рычаг и ролик (3) настолько, чтобы ведущий шкив бурава (10) смог вернуться в положение.

12. Прикрепите место бурава (22) к моторной коробке (23) при помощи четырёх болтов (21) которые были сняты в пункте 9. Закрутите два нижних болта (24).
13. Установите рабочий ремень бурава (4) в моторный блок (11).
14. Просуньте рабочий ремень бурава (4) под направляющим шкивом (3).
15. Подкорректируйте рабочий ремень бурава (4). Посмотрите «Как подкорректировать рабочий ремень бурава» в разделе «Обслуживание».
16. Подкорректируйте направляющую ремня (9). Посмотрите «Как корректировать ремни» в разделе «Обслуживание».
17. (Рисунок 18) Установите крышку ремня (1). Закрутите винты (2).
18. (Рисунок 22) Установите нижнюю стенку (2).
19. Установите болты (1) на обеих сторонах нижней стенки (2).
20. Закрутите болты (1) и болты (3) на каждой из сторон нижней стенки (2).
21. Проверьте установку кабелей. Посмотрите «Как поверить и подкорректировать кабели» в разделе «Обслуживание».
22. Подсоедините провод свечи зажигания.

Как снять ремень фрикционного привода

Если снегоочиститель не может двигаться вперёд, проверьте ремень фрикционного привода на наличие рывка или повреждения. Если ремень фрикционного привода проносился или повреждён, то его нужно заменить следующим образом.

1. Отключите провод свечи зажигания.
2. Снимите рабочий ремень бурава. Посмотрите «Как снимать рабочий ремень бурава» в разделе «Обслуживание».
3. (Рисунок 19) Снимите e-кольцо (17) с одного конца подбрюшинного осевого шеста (18). Снимите подбрюшинный осевой шест (18) для того, чтобы подбрюшинник смог свободно сдвинуться вперёд.
4. Снимите рабочую фрикционную пружину (16).
5. Снимите старый ремень фрикционного привода (13) с фрикционного блока (14) и со шкива мотора (15). Замените фрикционный ремень бурава (13) другим ремнём, произведённым заводом-производителем и который Вы купили в лицензированном сервисном центре.
6. Установите новый ремень фрикционного привода (13) на шкив фрикционного блока (14) и на шкив мотора (15).
7. Убедитесь в том, что фрикционный привод натяжного шкива (12) сбалансирован с рабочим фрикционным ремнём (13).
8. Подсоедините рабочую фрикционную пружину (16).
9. Установите подбрюшинный осевой шест (18) и закрепите e-кольцом (17), которое было снято ранее.

10. (Рисунок 32) Низ подбрюшника (20) должен находиться между узкими базовыми опорами (19). Убедитесь, что подбрюшник (20) хорошо закреплён.
ПРИМЕЧАНИЕ: Если не произойдёт никакого движения после того как был заменён фрикционный ремень бурава, тогда проверьте чтобы подбрюшник был правильно установлен между узкими базовыми опорами (19).
11. (Рисунок 19) Установите и подкорректируйте рабочий ремень бурава (4). Посмотрите «Как снимать рабочий ремень бурава» в разделе «Обслуживание».
12. Подкорректируйте направляющую ремня (9). Посмотрите «Как корректировать ремни» в разделе «Обслуживание».
13. (Рисунок 22) Установите нижнюю стенку (2).
14. Закрутите болты (3) на обеих сторонах нижней стенки (2).
15. (Рисунок 18) Установите крышку ремня (1). Закрутите винты (2).
16. Проверьте установку кабелей. Посмотрите «Как поверить и подкорректировать кабели» в разделе «Обслуживание».
17. Подсоедините провод свечи зажигания.

Как подкорректировать направляющую ремня

1. Отключите провод свечи зажигания.
2. (Рисунок 18) Снимите винты (2). Снимите крышку ремня (1).
3. (Рисунок 1) Возьмите рабочий рычаг бурава (5).
4. (Рисунок 23) Измерьте расстояние между направляющим ремнём (2) и направляющим ремнём бурава (3). Наиболее правильное расстояние (4) должно составлять 3 мм (1/8 дюйма).
5. Если необходимо произвести корректировку, раскрутите держащий болт от ведущего ремня (2). Сдвиньте направляющий ремень (2) до правильного положения (4). Закрутите держащий болт на направляющем ремне (2).
6. (Рисунок 18) Установите крышку ремня (1). Закрутите винты (2).
7. Подсоедините провод свечи зажигания.

Как подкорректировать или заменить фрикционное колесо

Как проверить фрикционное колесо

Если снегоочиститель не двигается вперёд, тогда нужно проверить рабочий фрикционный ремень, фрикционный кабель и фрикционное колесо. Если фрикционное колесо проносилось или повреждено, тогда его необходимо заменить. Смотрите «Как заменить фрикционное колесо» в этом разделе. Если фрикционное колесо не проносилось и не повреждено, тогда проверьте следующее.

1. (Рисунок 1) Слейте бензин из бензобака. Поставьте снегоочиститель на переднюю сторону крышки рамы (4).



ПРЕДУПРЕЖДЕНИЕ: Сливайте бензин на улице, вдали от огня или пламени.

2. Отключите провод свечи зажигания.
 3. (Рисунок 22) Снимите болты (1) на обеих сторонах нижней стенки (2).
 4. Раскрутите болты (3) на обеих сторонах нижней стенки (2).
 5. Снимите нижнюю стенку (2).
 6. (Рисунок 1) Поставьте рычаг переключения передач (6) в самое нижнее ходовое положение.
 7. (Рисунок 24) Обратите внимание на положение фрикционного колеса (4). Правильное расстояние «А» от левой до правой стороны фрикционного колеса (4) до внешней стороны моторной коробки должно составлять:
- | Размер шин | Расстояние «А» |
|----------------|--------------------|
| 12 и 13 дюймов | 10,5 см (4-1/8") |
| 16 дюймов | 10,95 см (4-5/16") |
- Если фрикционное колесо (4) не находится в правильном положении, то подкорректируйте это следующим образом.

Как подкорректировать фрикционное колесо

1. (Рисунок 1) Поставьте рычаг переключения передач (6) в самое нижнее ходовое положение.
2. (Рисунок 9) Открутите шестигранную нажимную контрагайку (9) на коробке передач (2). Снимите сферическое соединение (6) с тяги маховика (7).
3. (Рисунок 24) Переведите фрикционное колесо (4) в правильное положение.
4. (Рисунок 9) Поворачивайте адаптер (10) до тех пор пока сферическое соединение (6) не будет находиться на одном уровне с отверстием в маховике (7). Когда всё будет находиться на одном уровне, подсоедините сферическое соединение (6) к проводу маховика (7).
5. (Рисунок 22) Установите нижнюю стенку (2).
6. Установите болты (1) на обеих сторонах нижней стенки (2).
7. Закрутите болты (1) и болты (3) на каждой из сторон нижней стенки (2).

Как заменить фрикционное колесо

Если фрикционное колесо проносилось или повреждено, то снегоочиститель не будет продвигаться вперёд. Фрикционное колесо должно быть заменено следующим образом.



ПРЕДУПРЕЖДЕНИЕ: Не смазывайте диск или фрикционное колесо.

1. (Рисунок 1) Слейте бензин из бензобака. Поставьте снегоочиститель на переднюю сторону крышки рамы (4).



ПРЕДУПРЕЖДЕНИЕ: Сливайте бензин на улице, вдали от огня или пламени.

2. Отключите провод свечи зажигания.
3. (Рисунок 28) Снимите болты (1) на обеих сторонах нижней стенки (2).
4. Раскрутите болты (3) на обеих сторонах нижней стенки (2).
5. Снимите нижнюю стенку (2).

6. **(Рисунок 29)** Снимите заднюю упорную стойку (18).
7. **(Рисунок 30)** Используйте 3/16 дюймовый ключ-шестигранник и снимите крепёжные устройства, которые крепят правый хомут оси (30) к самой оси (34).
8. Снимите правое колесо (35), ось (34), хомут оси (30), и очиститель (31).
9. **(Рисунок 28)** Снимите левое колесо (10) с оси (11).
10. **(Рисунок 31)** Снимите держатели, которые прикрепляют поддержку оси (32) к моторной коробке (11). Снимите поддержку оси (32) и переходник (33).
11. Раскрутите (но не снимайте) болты, которые прикрепляют подпятник (19) к моторной коробке.
12. Снимите сцепление/тянущий зубчатый барабан (20) с оси (11).
13. **(Рисунок 32)** Снимите четыре болта, (16) которые держат подшипники (7) на каждой из сторон шестигранной оси (8).
14. **(Рисунок 33)** Снимите шестигранная ось (8) и подшипники (7).
ПРИМЕЧАНИЕ: Обратите особое внимание на положение прокладок (13).
15. **(Рисунок 26)** Снимите три держателя (4), которые крепят фрикционное колесо (5) к поршню (6).
16. **(Рисунок 26)** Снимите фрикционное колесо (5) с поршня (6). Снимите фрикционное колесо (5) с шестигранной оси (8).
17. Поставьте новое фрикционное колесо (5) на поршень (6) прикрепив держателями, снятыми ранее.
18. **(Рисунок 33)** Установите шестигранную ось (8) и подшипники (7) при помощи четырёх болтов, снятых ранее.
Убедитесь в том, чтобы прокладки (17) были правильно установлены в исходное положение. Также убедитесь в том, чтобы две прокладки (13) были правильно установлены по отношению к рычагу привода (14).
19. Убедитесь в том, что шестигранная ось (8) может свободно поворачиваться.
20. Для установки оставшихся частей, производите сбор в обратном порядке по вышеперечисленным пунктам.
21. Проверьте установку фрикционного колеса. Смотрите «Как подкорректировать фрикционное колесо» в этом разделе.
22. Убедитесь в том, что фрикционное колесо и диск ведущего моста не загрязнены маслом.
23. **(Рисунок 28)** Установите нижнюю стенку (2).
24. Установите болты (1) на обеих сторонах нижней стенки (2).

25. Закрутите болты (1) и болты (3) на каждой из сторон нижней стенки (2).
26. Подсоедините провод свечи зажигания.

Как заменить срезной болт бурава

Буравы прикреплены к валу шнека при помощи специальных срезных болтов. Эти срезные болты сделаны таким образом, чтобы защищать агрегат от случаев, когда какие-либо объекты случайно попадут в район бурава. Не применяйте более прочные болты для защиты, так как степень защиты, определённая срезным болтом будет утрачена.



ПРЕДУПРЕЖДЕНИЕ: Для безопасности и защиты агрегата используйте только заводские срезные болты.

Для того, чтобы заменить поломанный срезной болт, поступайте следующим образом. Запасной срезной болт находится в упаковке запасных деталей.

1. **(Рисунок 1)** Выключите мотор. Отсоедините все управляющие.
2. Отключите провод свечи зажигания. Убедитесь в том, что все вращающиеся детали остановились.
3. **(Рисунок 14)** Смажьте вал шнека смазкой (1), и если необходимо, при помощи смазочного шприца.
4. **(Рисунок 25)** Сбалансируйте вырезы в бураве в вале шнека. Установите новый срезной болт (2), разделитель (3), и контргайку (4).
ПРИМЕЧАНИЕ: Если в данной модели есть 84 см (33") место бурава, тогда нет необходимости в проставке (3).
5. Подсоедините провод свечи зажигания.

Как подготовить снегоочиститель к хранению



ПРЕДУПРЕЖДЕНИЕ: Не сливайте топливо внутри помещения, возле огня, или когда курите. Пары топлива могут спровоцировать взрыв или огонь.

Если снегоочиститель будет храниться продолжительное время, тогда обратитесь к части рабочей инструкции от производителя (включена со всеми моделями) для важной информации по уходу и хранению.

1. Слейте топливо из бака.
2. Дайте возможность мотору поработать, чтобы выработалось всё топливо.
3. Никогда не ставьте снегоочиститель на хранение в помещение, если в баке осталось топливо и если есть источники потенциального воспламенения, такие как обогреватели, сушики белья и тому подобное. Дайте возможность двигателю (мотору) остыть перед тем, как поставить на хранение в закрытое помещение.

4. Слейте масло с тёплого мотора. Наполните картер мотора новым маслом.
5. Снимите запальную свечу с цилиндра. Влейте одну унцию (29,5 гр) масла в цилиндр. Медленно дёрните за ручку обратного стартера, чтобы масло могло защитить цилиндр. Установите новую запальную свечу в цилиндр.
6. Тщательно прочистите снегоочиститель.
7. Смажьте все смазочные места. Посмотрите секцию по Обслуживанию.
8. Проверьте, чтобы все гайки, болты и винты были хорошо закручены. Проверьте все видимые движущиеся части на наличие повреждений, поломок или износа. Если необходимо, произведите замену.
9. Закройте выступающие металлические детали в области бурава и пошпикайте маслянным спреем от ржавчины.
10. Поставьте агрегат в помещение с хорошей вентиляцией.
11. Если агрегат необходимо хранить на улице, заблокируйте снегоочиститель таким образом, чтобы ни одна из частей агрегата не касалась земли.
12. Закройте снегоочиститель подходящим защитным чехлом, который не пропускает влагу. Не используйте целофан.

Как заказать запасные детали

Запасные детали показаны либо на последней странице данной Инструктажной Книжки или в отдельной книжке о Запасных Частях.

Используйте только те запчасти, которые авторизованы или одобрены производителем. Не используйте дополнений или вспомогательных оснащений, которые специально не были рекомендованы для использования с данным агрегатом. Чтобы получить правильную запасную часть, Вам необходимо указать номер модели (посмотрите на фирменном штемпеле). Чтобы получить запчасти, обратитесь к своему местному дилеру.

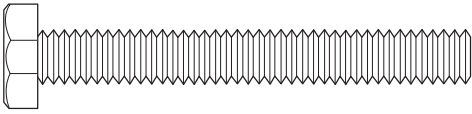
Запасные детали для мотора, коробки передач, а также трансмиссии можно приобрести в уполномоченных производителем сервисных центрах, которые Вы можете найти в «Жёлтых Страницах» в Вашем телефонном справочнике. Также, проверьте непосредственно гарантии по Вашему мотору и трансмиссии, перед тем, как заказывать запчасти.

Когда производите заказ, необходима следующая информация:

- (1) Номер модели
- (2) Серийный номер
- (3) Номер детали
- (4) Количество

СХЕМА С УКАЗАНИЕМ МЕСТ ВОЗМОЖНЫХ ПОВРЕЖДЕНИЙ

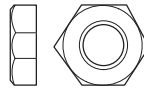
ПРОБЛЕМА	ПРИЧИНА	ИСПРАВЛЕНИЕ
Проблемы с включением	Неисправная свеча зажигания.	Замена свечи зажигания.
	Вода или грязь в топливной системе.	Используйте камеру для слива от карбюратора для того, чтобы слить и наполнить новым топливом.
Мотор работает с колебаниями	Заблокирована линия топлива, опустошён бензобак или несвежее топливо.	Прочистите топливную линию; проверьте подачу топлива; добавьте свежего топлива.
Буксировка мотора	Агрегат работает в режиме «ЗАСЛОНКА/CHOKE».	Установите рычаг заслонки в «РАБОЧЕЕ/RUN» положение.
Мотор работает с колебаниями; Потеря энергии	Вода или грязь в топливной системе.	Используйте камеру для слива от карбюратора для того, чтобы слить и наполнить новым топливом.
Чрезмерная вибрация	Разболтанные детали: Повреждённая крыльчатка.	Немедленно остановите мотор и отключите провод свечи зажигания. Закрепите все болты и только тогда начинайте необходимый ремонт. Если вибрация будет продолжаться, пусть Ваш агрегат проверит компетентный ремонтный мастер.
Агрегат не может двигаться	Рабочий ремень сильно расслаблен или повреждён.	Замените рабочий ремень.
	Неправильная корректировка фракционного рабочего кабеля.	Подкорректируйте фракционный рабочий кабель.
	Изнанное или повреждённое фракционное колесо.	Замените фракционное колесо.
Агрегат не отбрасывает снег	Рабочий ремень сильно расслаблен или повреждён.	Подкорректируйте ремень рабочего бурава; замените, если он повреждён.
	Кабель контроля бурава не урегулирован правильно.	Отрегулируйте кабель контроля бурава.
	Поломан срезной болт.	Замените срезной болт.
	Забит разгрузочный жёлоб.	Немедленно остановите мотор и отключите провод свечи зажигания. Прочистите разгрузочный жёлоб, а также внутри района бурава.
	Посторонние предметы заблокировали бурав.	Немедленно остановите мотор и отключите провод свечи зажигания. Очистите бурав от посторонних предметов.



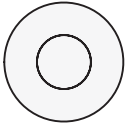
2



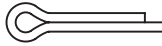
2



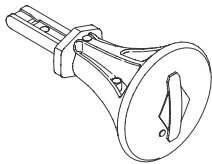
2



1



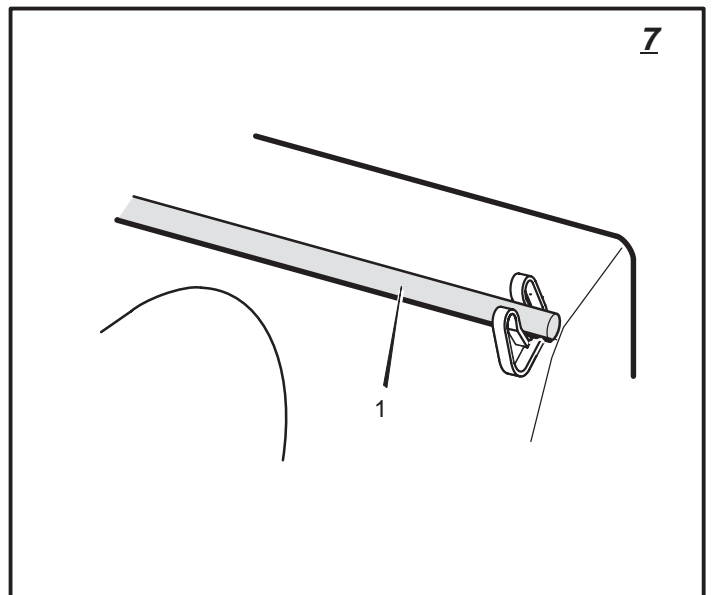
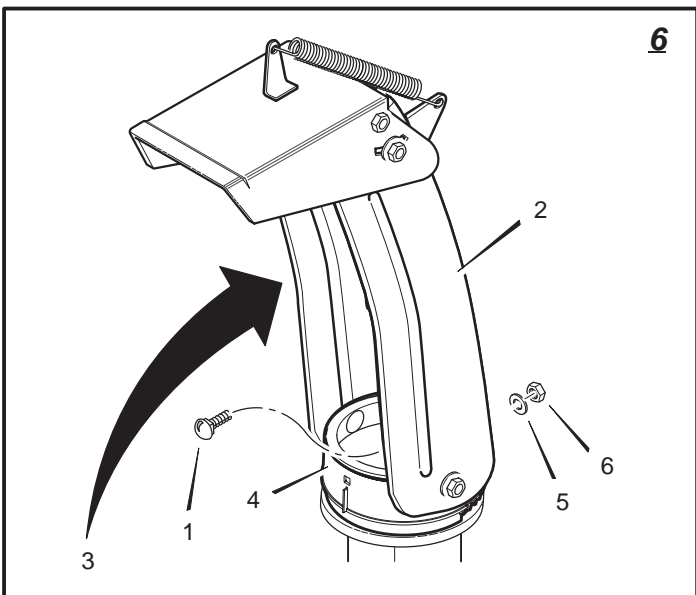
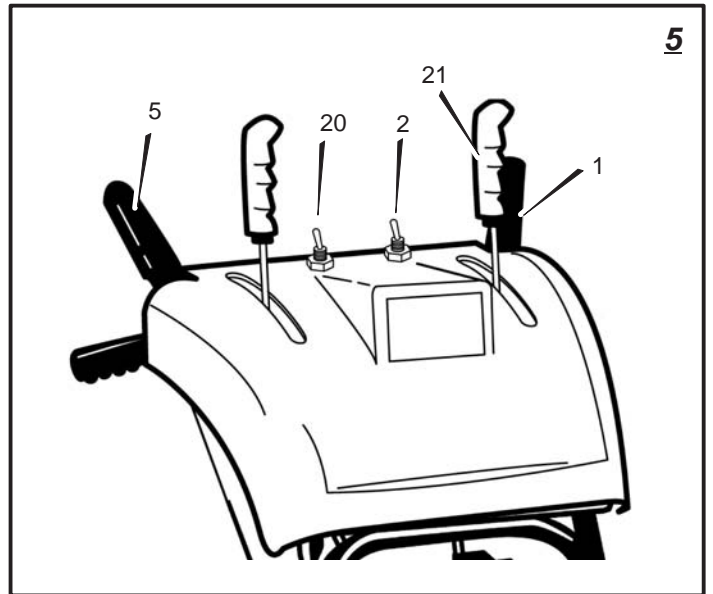
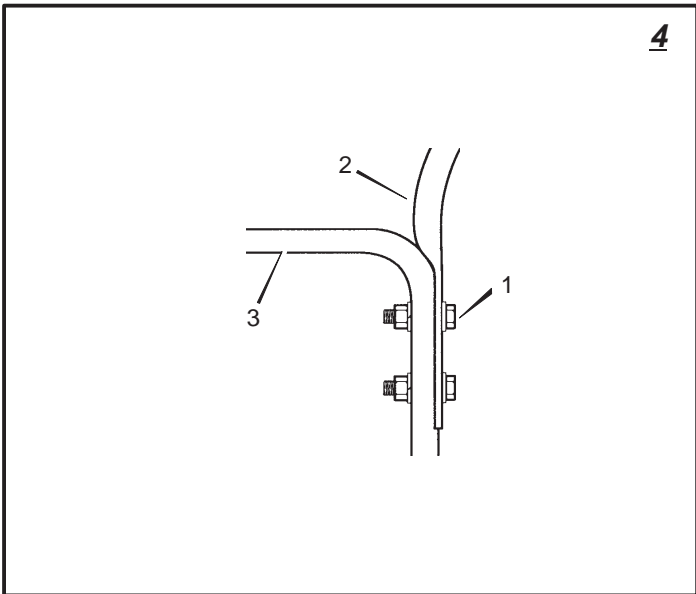
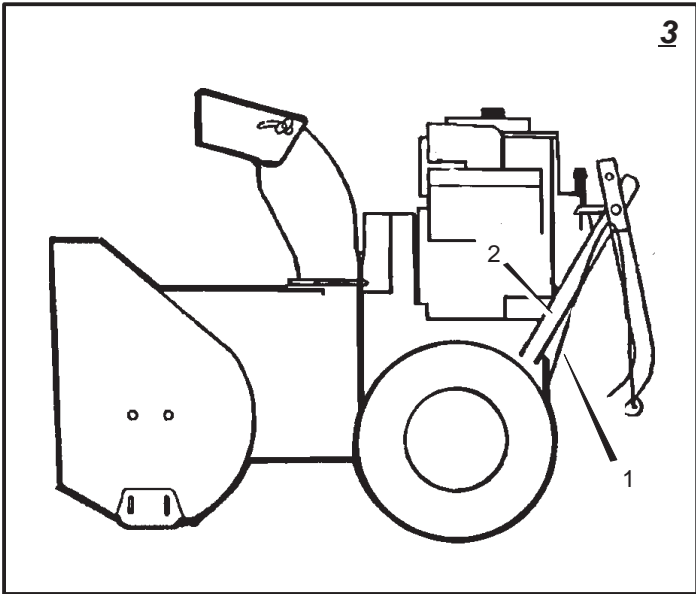
1

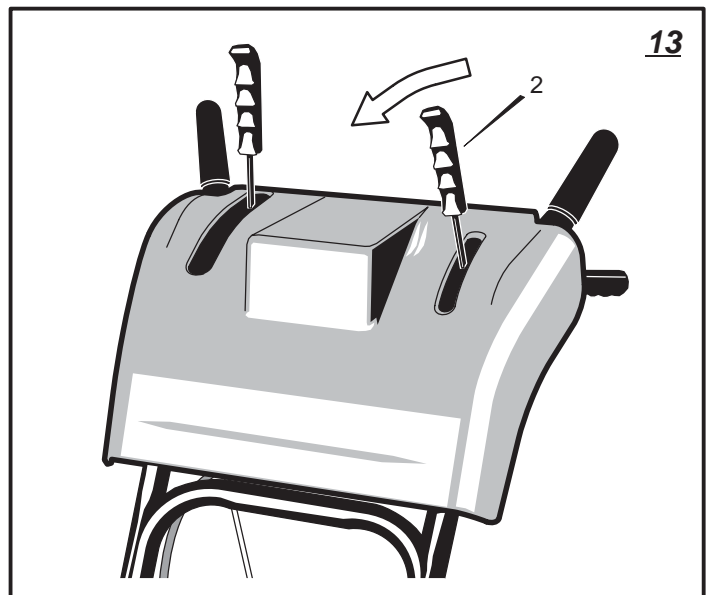
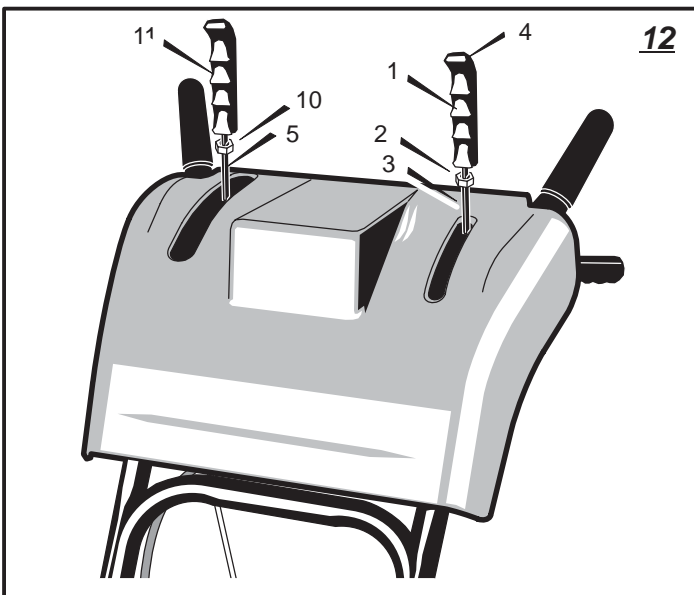
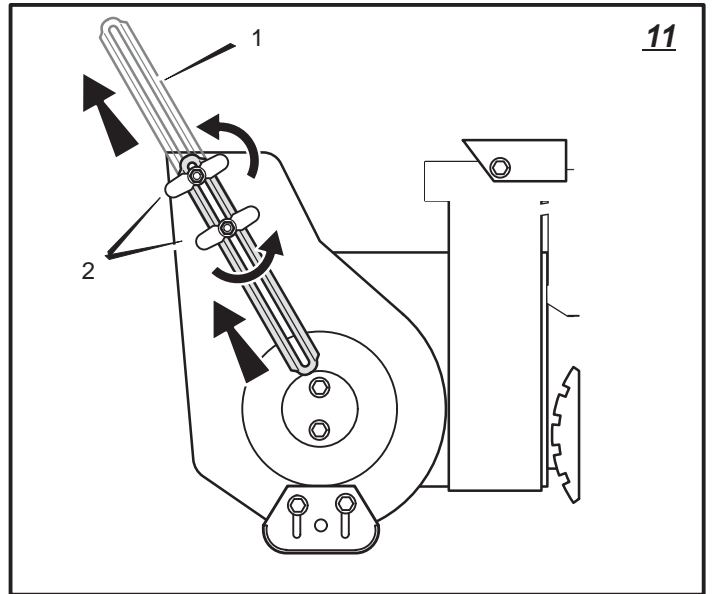
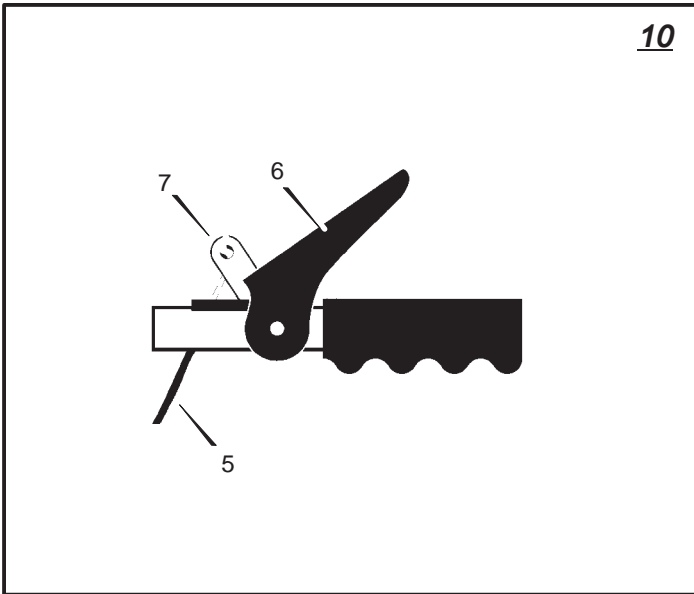
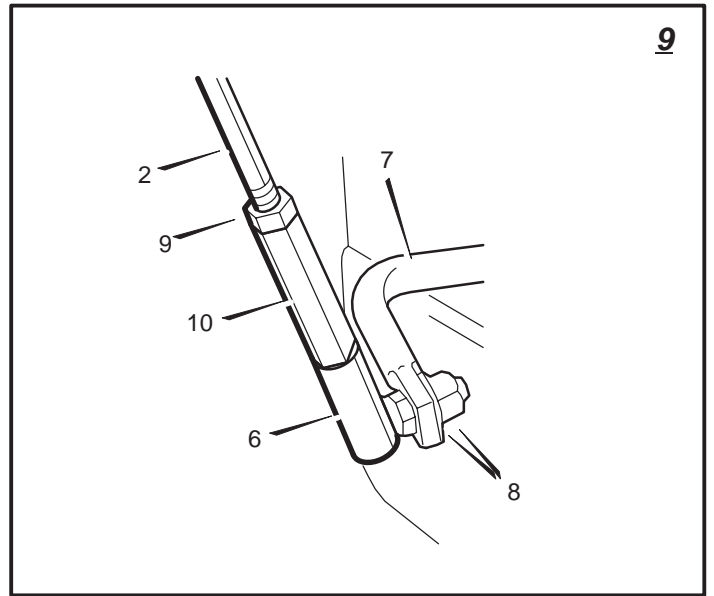
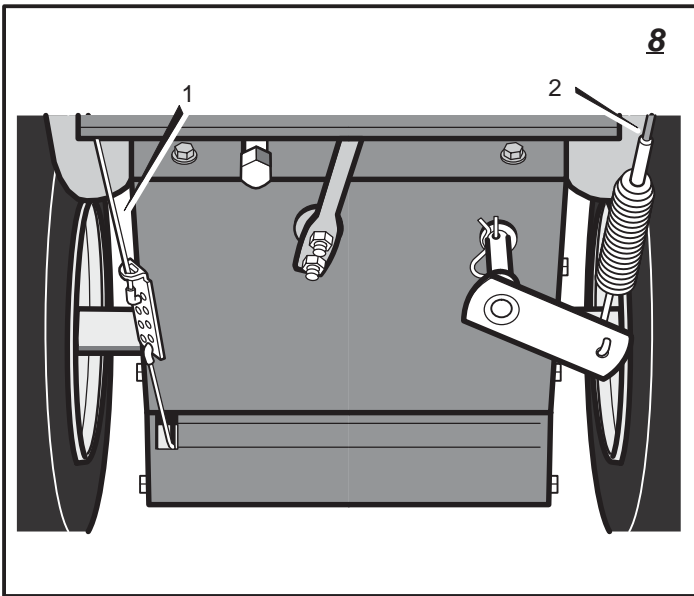


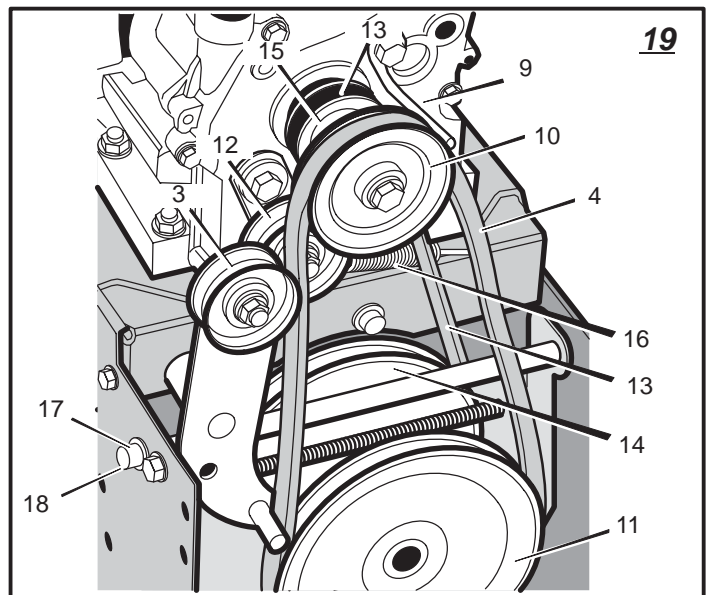
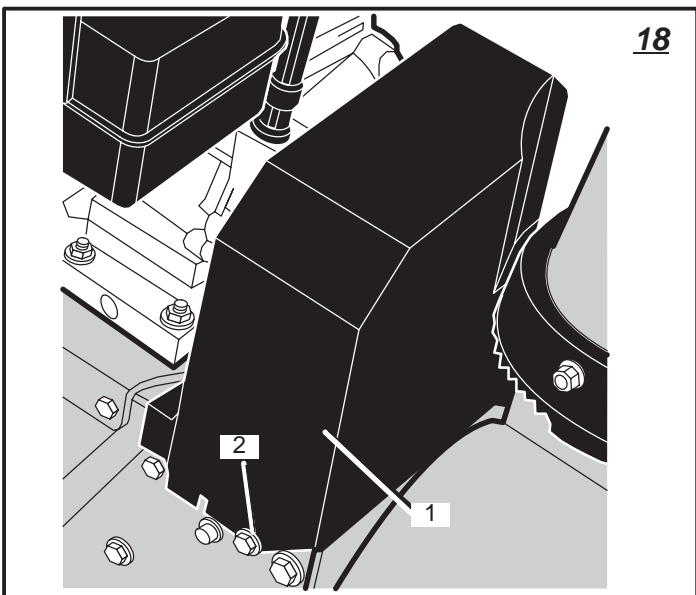
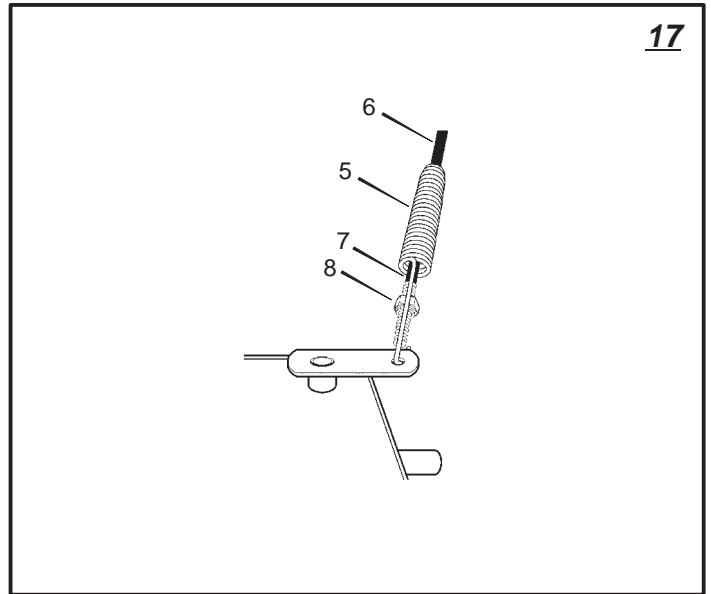
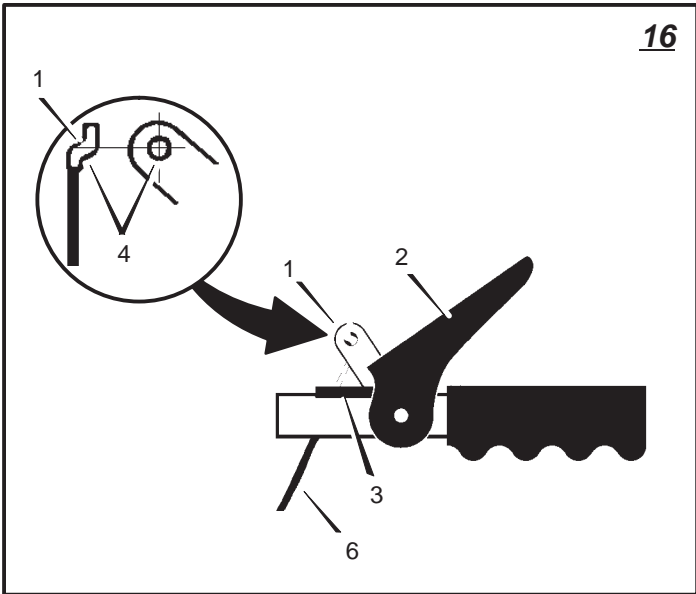
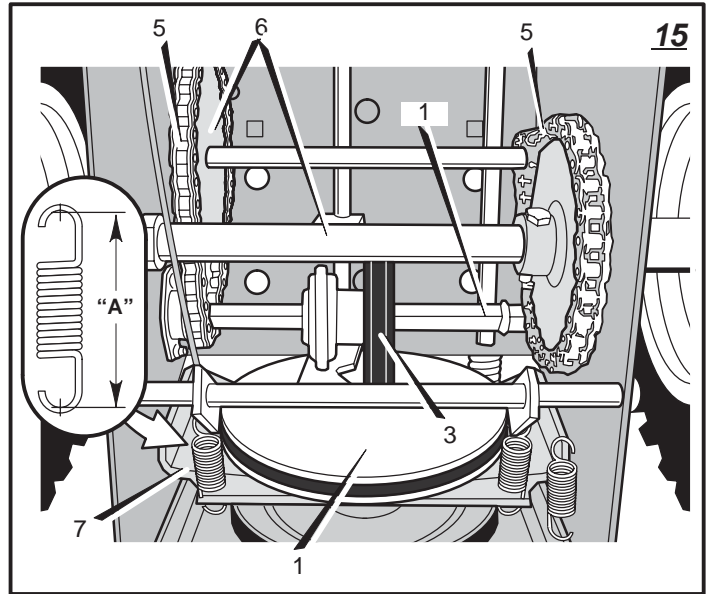
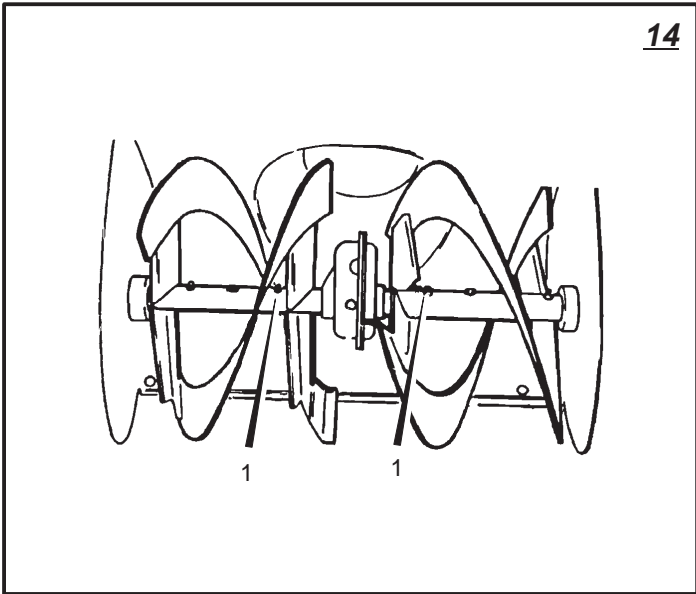
1

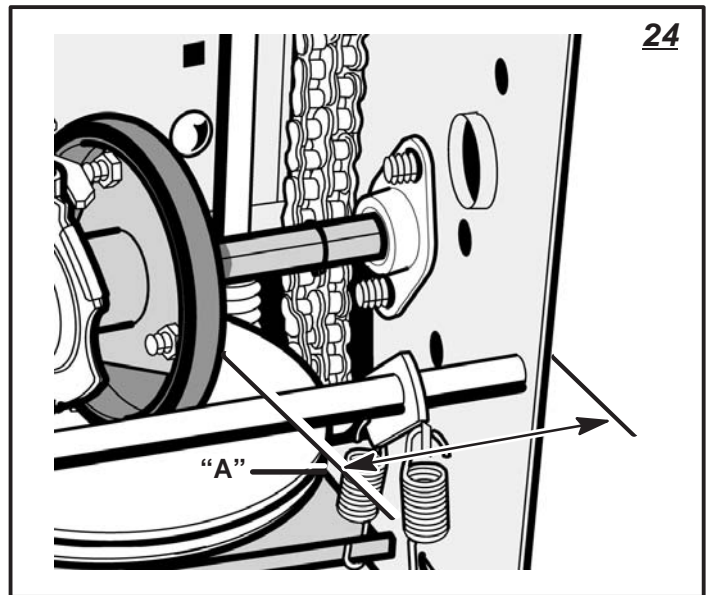
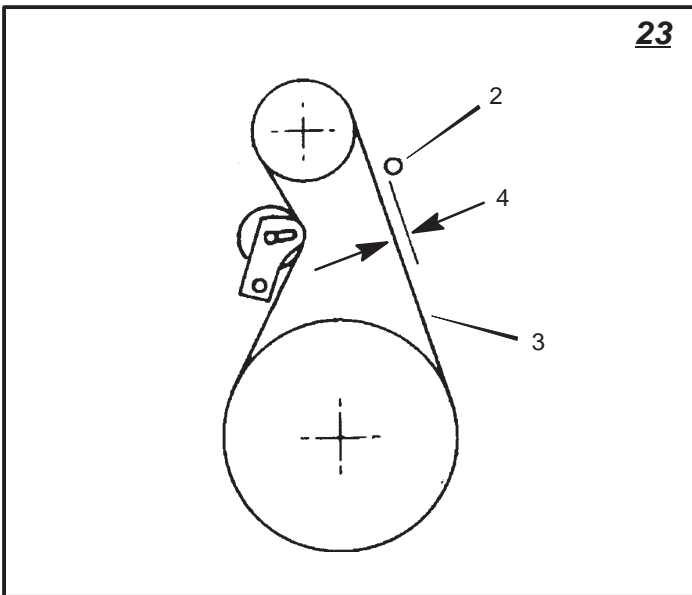
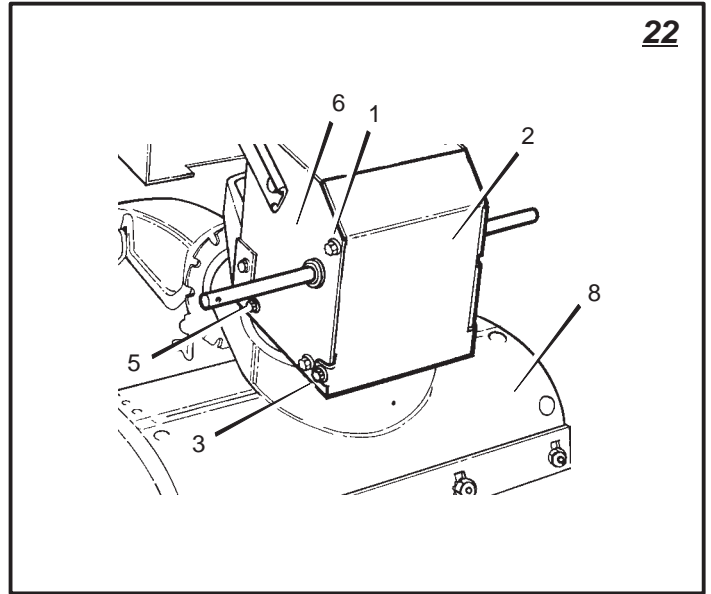
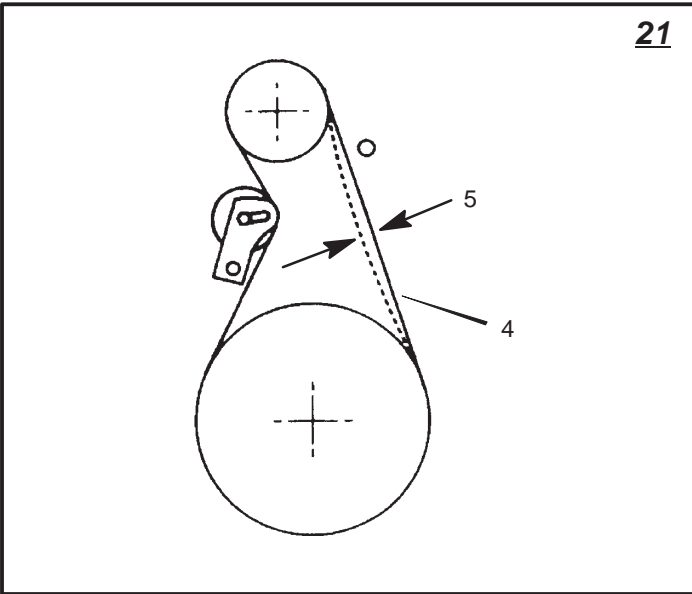
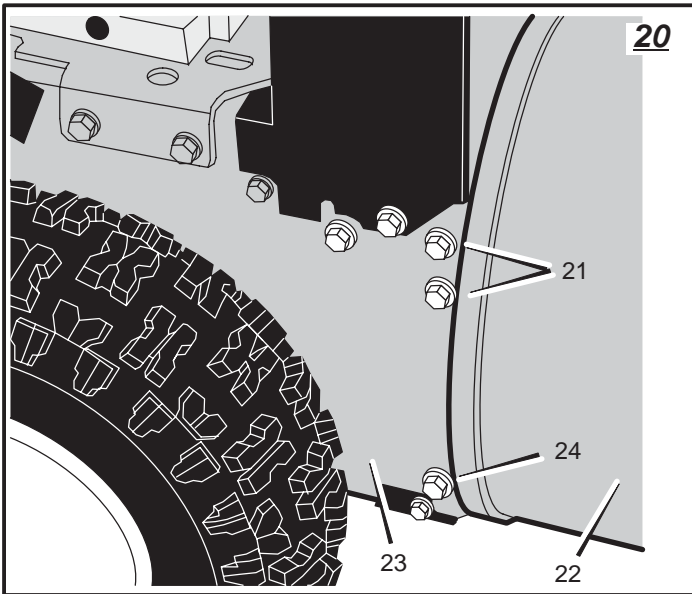


2

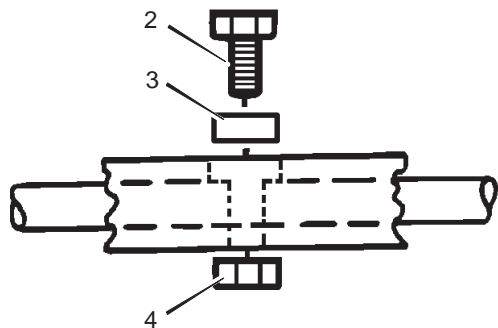




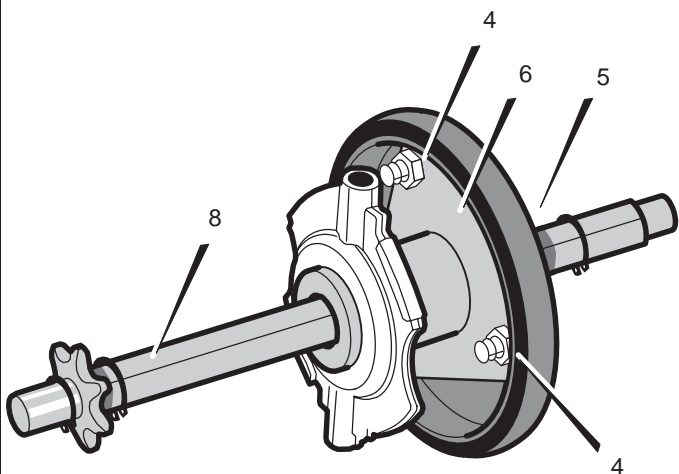




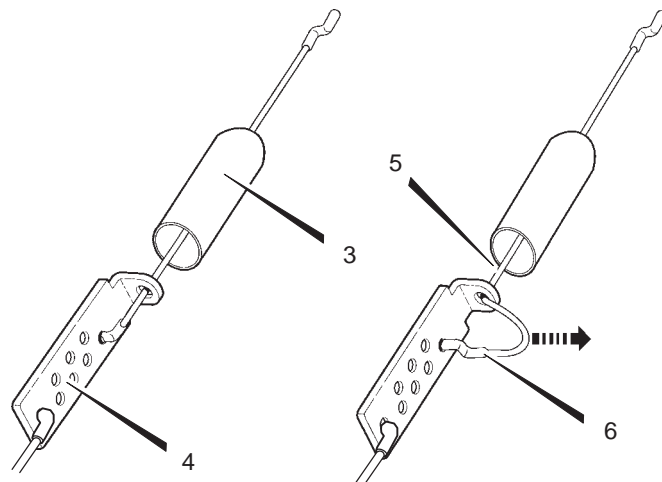
25



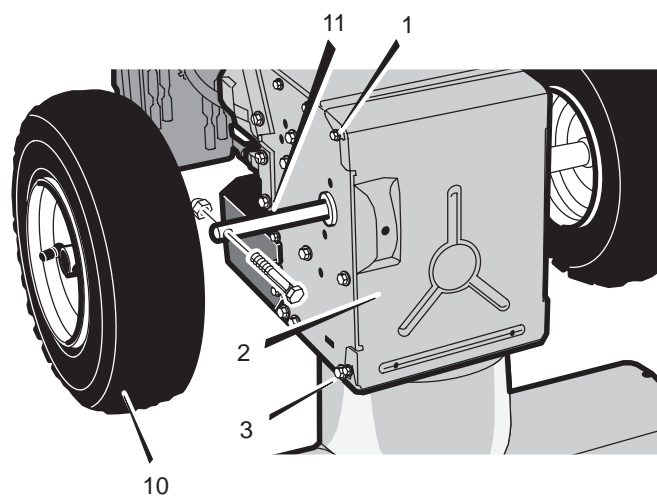
26



27



28



29

