

BELKIN®

OmniView® E Series KVM Switch



EN

FR

DE

NL

ES

IT

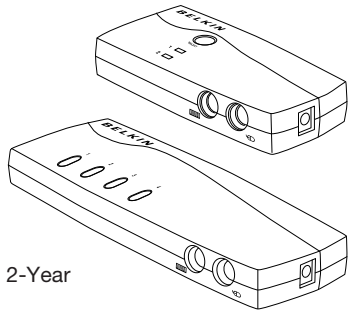
User Manual

F1DB102P2ea
F1DB104P2ea
F1DB102P2eaB
F1DB104P2eaB

Table of Contents

| | |
|--|-----------|
| 1. Introduction | 1 |
| Package Contents | 1 |
| 2. Overview | 2 |
| Feature Overview | 2 |
| Equipment Requirements | 3 |
| System Requirements | 4 |
| Unit Display Diagrams | 5 |
| Specifications | 6 |
| 3. Installation | 7 |
| Pre-Configuration | 7 |
| Installation Guide | 7 |
| Powering Up the Systems | 10 |
| 4. Using your E Series KVM Switch | 11 |
| Selecting a Computer Using the Selector Button | 11 |
| Selecting a Computer Using Keyboard Hot-Key Commands | 11 |
| LED Display | 12 |
| AutoScan Mode | 12 |
| Keyboard Hot-Key-Command Shortcut Reference | 13 |
| 5. Frequently Asked Questions | 14 |
| 6. Troubleshooting | 15 |
| 7. Glossary | 17 |
| 8. Information | 18 |

Congratulations on your purchase of this Belkin OmniView KVM Switch (the KVM Switch). Our diverse line of KVM solutions exemplifies the Belkin commitment to delivering high-quality, durable products at an affordable price. Designed to give you control over multiple computers from one console, Belkin KVM switches come in a variety of capacities suitable for all configurations, large or small. This compact, affordable KVM switch is backed by a Belkin 2-Year Warranty and free technical support.



This User Manual will provide details about your new E Series KVM Switch, from installation and operation to troubleshooting—in the unlikely event of a problem.

Thank you for purchasing the Belkin OmniView E Series KVM Switch. We appreciate your business and have confidence that you will soon see for yourself why Belkin is the number-one-selling brand in KVM switches worldwide.

Package Contents



OmniView E Series KVM Switch



User Manual



**2 KVM Cable Kits
(F1DB102P2eaB only)**



**4 KVM Cable Kits
(F1DB104P2eaB only)**

Feature Overview

- Hot Keys

Hot-key functionality allows you to select a desired port using designated key commands. Control up to four computers, depending on the KVM Switch model, using simple hot-key sequences on your keyboard. Full hot-key instructions and commands are listed in this manual, on page 13.

- AutoScan

The AutoScan feature allows you to automatically scan and monitor the activities of all connected computers, one by one.

- Video Resolution

The E Series KVM Switch supports video resolutions of up to 1920x1440@75Hz.

- Front-Panel Push Buttons

Push buttons, conveniently located on the front panel of the E Series KVM Switch, allow for simple, manual port selection.

- LED Display

An LED display on the front panel of the E Series KVM Switch serves as a status monitor. An LED illuminates to indicate the console that currently controls the corresponding computer.

Equipment Requirements

Cables:

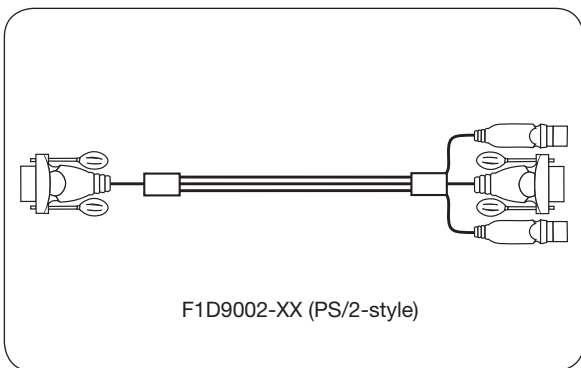
Connecting the E Series KVM Switch to a computer requires a Belkin KVM Cable Kit.

Belkin E Series Cable Kits:

F1D9002-XX (PS/2-style)

F1D9002x06 (PS/2-style)

(-XX denotes length in feet)



1

2

3

4

5

6

7

8

section

System Requirements

OS Platforms

The E Series KVM Switch is compatible with CPUs running on, but not limited to, the following OS platforms:

- Windows® NT®, 2000, XP, Server 2003, or Vista™
- Microsoft® DOS 5.x and above
- Red Hat® Linux® 8.x and above
- Novell® NetWare® 5.x

Keyboards

- PS/2-compatible
- Supports 101-/102-/104-/106-standard-key keyboards

Mice

- PS/2-compatible mice having 2, 3, 4, or 5 buttons
- PS/2-compatible wireless or optical mice

Monitors

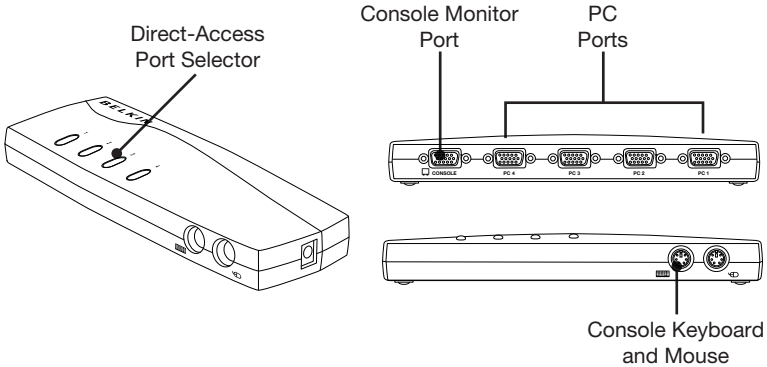
- CRT
- LCD (with VGA support)

Optional Power Supply

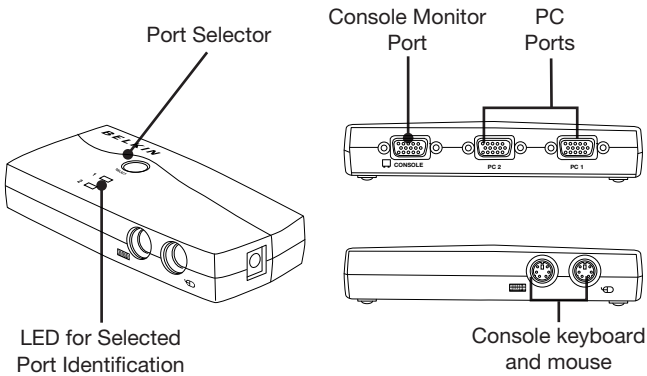
An optional 9V 600mA power supply is available (Belkin Part number F1D084-PWR-EUR (With Schuko Plug) and F1D084-PWR-EUR (With UK Plug)). This is only required in rare cases where the power output from the connected computer is not adequate to power the KVM Switch.

Unit Display Diagrams

Front/Rear View of the 4-Port E Series KVM Switch:



Front/Rear View of the 2-Port E Series KVM Switch:



Specifications

| | |
|------------------------------------|---|
| Part No.: | F1DB102P2, F1DB104P2 |
| Enclosure: | High-impact plastic |
| Power: | By PS/2 computer keyboard port; optional 9V DC, 600mA power adapter, center-pin-positive polarity |
| No. of Computers Supported: | 2 and 4 respectively for 2- and 4-port models |
| Monitors Supported: | CRT and LCD (with VGA support) |
| Max. Resolution: | Up to 1920x1440 @ 75Hz |
| Keyboard Input: | PS/2 (miniDIN6) |
| Mouse Input: | PS/2 (miniDIN6) |
| Monitor Port: | VGA (HDDB15 female) |
| PC Ports: | HDDB15 female |
| Operating Temp: | 32° to 104° F (0~40° C) |
| Storage Temp: | -4° to 140° F (20~60° C) |
| Humidity: | 0-80% RH, non-condensing |
| Warranty: | 2 years |
| Dimensions: | (F1DB102P2) 5.2 x 2.5 x 1 in. (F1DB104P2) 8.5 x 3.2 x 1 in. |
| Weight: | (F1DB102P2) 7.2oz (F1DB104P2) 4.2oz. |

Note: Specifications are subject to change without notice.

Pre-Configuration

Where to Place the KVM Switch

The OmniView E Series KVM Switch is designed to sit on top of your desktop. Where you place the KVM Switch will be based on the location of your CPUs and the length of your cables.

Consider the following when deciding where to place the KVM Switch:

- whether or not you intend to use the direct-access port selectors
- the lengths of the cables attached to your keyboard, monitor, and mouse
- the location of your computers in relation to your console
- the lengths of the cables you use to connect your computers to the KVM Switch

Cable-Distance Requirements:

For PS/2 Computers:

VGA signals transmit best up to 25 feet (7.6m). Beyond that length, the probability of video degradation increases. For this reason, Belkin recommends that the length of the cables between the KVM Switch and the connected computers does not exceed 25 feet (7.6m).

Note: The Belkin OmniView CAT5 Extender (F1D084vea2) may be used to extend your console (keyboard, mouse, and monitor) by up to 300 feet (91m).

Cautions and Warnings!

Avoid placing cables near fluorescent lights, air-conditioning equipment, or machines that create electrical noise (e.g., vacuum cleaners).

Installation Guide

You are now ready to begin installation of your KVM Switch. The following sections (pages 8–10) provide complete instructions for the hardware setup.

Before attempting to connect anything to the E Series KVM Switch or your computers, ensure that everything is powered off. Plugging and unplugging cables while computers are powered on may cause irreversible damage of the computers and/or the KVM Switch. Belkin is not responsible for damage caused in this way.

1

2

3

4

5

6

7

8

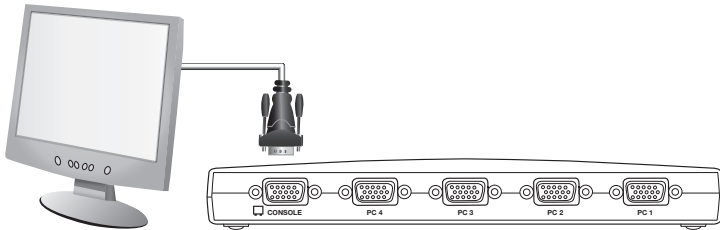
section

Keyboard, Monitor, and Mouse Connections

Connecting the Console

Step 1

Connect the monitor to the E Series KVM Switch. Using the cable that is attached to your monitor, connect it to the HDDDB15 female port on the rear left side of the E Series KVM Switch labeled "Console". (Refer to diagram below.)

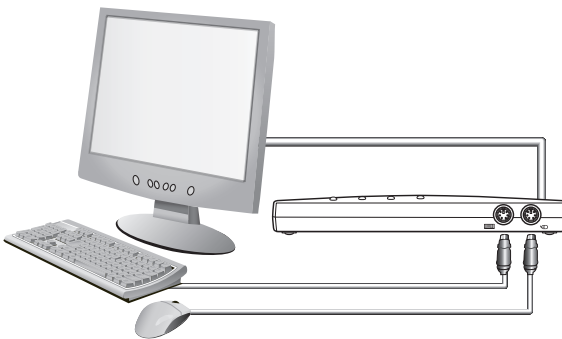


Step 2

Connect the PS/2 keyboard to the PURPLE keyboard port on the front of the KVM Switch. (Refer to diagram below.)

Step 3

Connect the PS/2 mouse to the GREEN mouse port on the front of the KVM Switch. (Refer to diagram below.)



You are ready to connect your computers.

Connecting Computers to the E Series KVM Switch

1

Step 1

Make sure your computer is powered off.

2

Step 2

Using the Belkin E Series Cable Kit for PS/2 (F1D9002x06), connect the VGA connector to the monitor port on your computer. (Refer to diagram below.)

3

Step 3

Connect the PS/2 mouse and keyboard connectors to the mouse and keyboard ports on the computer. (Refer to diagram below.)

4

Step 4

Connect the Belkin E Series Cable Kit for PS/2 to the desired PC port on the rear of the E Series KVM Switch. (Refer to diagram below.)

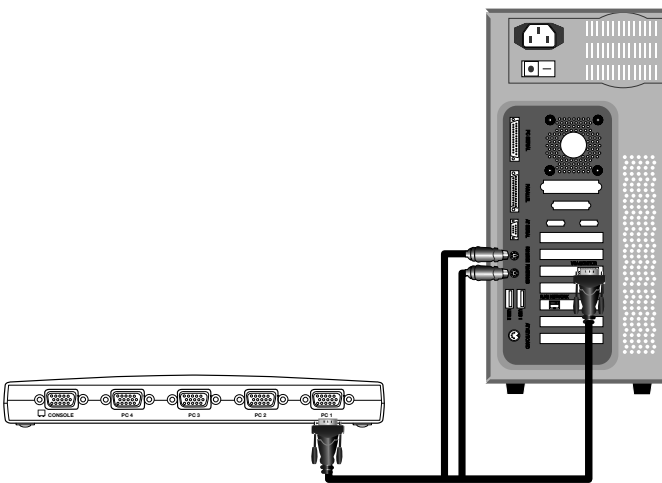
5

6

7

8

section



Step 5

Power up your computer.

Step 6

Repeat Steps 1 through 5 for each additional PS/2 computer you wish to connect.

Powering Up the Systems

Verify that all computers connected to the E Series KVM Switch are powered on. If any connected computers have not been powered on, it is okay to do so at this time (computers can be powered on simultaneously). The E Series KVM Switch emulates both a mouse and keyboard on each port and allows your computer to boot normally. Your E Series KVM Switch is ready to use.

The computer connected to Port “1” will be displayed on the monitor. Check that the keyboard, monitor, and mouse are working normally. Check all occupied ports to verify that all computers are connected and responding correctly. If you encounter an error, check your cable connections for that computer and reboot. If the problem persists, please refer to the “Troubleshooting” section in this User Manual.

Selecting a Computer Using the Selector Button

You can directly select a connected computer by pressing the selector button or by using a hot-key command. The LED will be lit next to the number to indicate which port is currently selected. It takes approximately 1–2 seconds for the video signal to refresh after switching computers. Re-synchronization of the mouse and keyboard signals also occurs. This is normal operation and ensures that proper synchronization is established between the console and the connected computers.

Selecting a Computer Using Keyboard Hot-Key Commands

Switch to the next or previous port with simple keyboard hot-key sequences using the “Scroll Lock” key, and either the “Up” or “Down” arrow keys. To send commands to the KVM Switch, the “Scroll Lock” key must be pressed twice within two seconds. The E Series KVM Switch will beep, confirming that it is in hot-key mode. Next, press the “Up” arrow key and the E Series KVM Switch will switch to the previous active port. Press the “Down” arrow key to switch to the next active port.

You can switch directly to any port by entering the number of the port you wish to access. For example, if you press “Scroll Lock”, “Scroll Lock”, “2”, the KVM Switch will switch to the computer connected on Port 2.



Switch to previous active port, [UP] arrow



Switch to Port 2 [2], #2 key



Switch to next active port, [DOWN] arrow.



Switch to Port 4 [4], #4 key

Note: You will have approximately three seconds to complete each hot-key sequence.

1

2

3

4

5

6

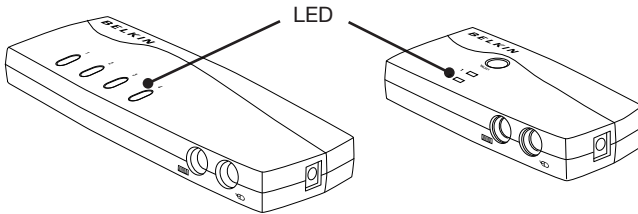
7

8

section

Selecting a Computer Using Port-Selector Buttons

You can directly select which computer you wish to control by pressing the direct-access port selector next to the corresponding port. The LED will illuminate to indicate the port is currently selected.



LED Display

The LED display on the front panel of the E Series KVM Switch serves as a status monitor. An LED illuminates to indicate that the console currently controls the corresponding computer. As a port selector is pushed, the LED next to it will light up. A flashing port LED indicates that there is no computer connected to that port or that the computer connected is powered off. The LED will also blink while the KVM Switch is in AutoScan mode.

Note: The port LED will remain solid for some computers that continuously supply power to the keyboard PS/2 port even while they are shut down.

AutoScan Mode

In AutoScan mode, the E Series KVM Switch remains on one active port for five seconds before switching to the next active port. This time interval cannot be changed.

To activate the AutoScan function, press “Scroll Lock”, “Scroll Lock”, “0”.

To stop AutoScan, press any button on the front panel or any key on the keyboard.

Note: There is no mouse or keyboard control in AutoScan mode. This is necessary to prevent data and synchronization errors. If the user is using the mouse or keyboard when the E Series KVM Switch is switching between ports, data flow may become interrupted and could result in erratic mouse movement and/or wrong-character input when using the keyboard.

Keyboard Hot-Key-Command Shortcut Reference

Below is a complete list of hot-key commands that can be used for your E Series KVM Switch:

Note: Each command needs to be preceded by “Scroll Lock”, “Scroll Lock”.

| Command | Function |
|-----------|---------------------------------|
| ↑ | Previous active computer |
| ↓ | Next active computer |
| [1,2,3,4] | Switch to port “x” (1, 2, 3, 4) |
| A | Activates AutoScan |
| S | Turn on/off beep sound |

Note: You will have approximately three seconds to complete each hot-key sequence.

1

2

3

4

5

6

7

8

section

Frequently Asked Questions

Q: What operating systems does the E Series KVM Switch support?

A: The E Series KVM Switch will support any operating system that runs on a PS/2 platform only. Operating systems include, but are not limited to, DOS; Windows 2000, NT, XP, Server 2003, Vista; and Linux.

Q: Can I connect USB computers on the host side?

A: No, the E Series KVM Switch will support PS/2 computers only.

Q: How far can the computer be from the KVM Switch?

A: The KVM Switch can be placed up to 25 feet away from your PS/2 computer.

Q: What is the maximum video resolution that the E Series KVM Switch supports?

A: The advanced video circuit in the KVM Switch supports a maximum resolution of up to 1920x1440@75Hz.

Q: Do I have to install any software to use the KVM Switch?

A: No, the KVM Switch does not require any drivers or software to be installed in your computers. Simply connect all your computers to the Belkin KVM Cable Kits, and then attach one keyboard, monitor, and mouse to the console port, and it is ready for use.

Q: Does the KVM Switch require an AC adapter?

A: No, the KVM Switch can be used in the majority of cases without an external power adapter.

Q: Can I use the E Series KVM Switch to switch video signals only?

A: No, the KVM Switch must be connected to both the video and keyboard/mouse ports on your computers. The KVM Switch detects the power from the PS/2 ports on your computers in order to function.

Q: Does the KVM Switch support Linux?

A: Yes, the KVM Switch works with Red Hat and other Linux distributions configured for PS/2 support.

Q: How long is the warranty for the E Series KVM Switch?

A: The KVM Switch comes with a 2-Year Limited Warranty.

My computer does not boot up when connected to the KVM Switch, but works fine when I connect the keyboard, video, and mouse directly to the computer.

- Make sure that the keyboard and mouse cables are connected tightly between the KVM Switch and the computer.
- Check that the keyboard and mouse cables are not crossed.
- Check the cable connections.

I am getting ghosting, shadowing, or fuzzy images on my monitor.

- Check that all video cables are inserted properly to the Cable Kit.
- Check that the monitor you are using supports the resolution and refresh-rate setting on your computer.
- Lower the video resolution of your monitor.
- Check that the cable length does not exceed 25 feet.
- Check that the graphics card you are using supports the resolution and refresh-rate setting on your computer.
- Connect the monitor directly into the computer with which you are having trouble to see if the problem still appears.

I am getting a black screen on my monitor.

- Check that all video cables are inserted properly.
- Check that the keyboard cable is connected and inserted properly between the computer and the appropriate port on the KVM Switch.
- Move the mouse and see if it is necessary to log in as a user.
- Connect your monitor directly to the computer to verify that your monitor is functioning properly.

The computer does not detect a keyboard and I get a keyboard error reported at boot up.

- Check that the keyboard cable on the KVM Switch is completely connected to your computer. Tighten any loose connections.
- If you are using the keyboard software that was included with your keyboard, uninstall it and then reinstall the standard Microsoft keyboard driver.

1

2

3

4

5

6

7

8

The mouse is lost when I switch to a different port.

- Check that the mouse you are using is connected properly to the console port of the KVM Switch.
- Tighten any loose cable connections.
- If you are using a mouse driver that was included with your mouse, uninstall it and install the standard Microsoft mouse driver.
- Make sure the mouse works when directly plugged into the computer.
- If the computer is coming out of standby mode, allow up to one minute to regain mouse function.
- De-activate power-management schemes on the PC with which you are experiencing problems.
- If you hot swapped or changed your KVM configuration, make sure you power off all attached computers. Then, reinstall the KVM Switch as described on pages 8-10 of this manual.
- Try a different mouse.

The mouse is not detected at boot up.

- Check the cables and make sure that they are inserted correctly.

The computer boots up, but the mouse does not work.

- Make sure the mouse is plugged in properly.
- Make sure the mouse works when directly plugged into the computer. Rebooting may be necessary when trying this.
- Try a different mouse.
- Try booting the problem computer while the port is selected and wait until the operating system loads before switching to another computer.

The computer boots up, but the mouse does not work.

- If you hot swapped or changed your KVM configuration, make sure you power off all attached computers. Then, reinstall the KVM Switch as described on pages 8-10 of this manual.
- Make sure you do not have more than one mouse driver installed. Make sure that the driver is either for a standard PS/2 or USB mouse, or a PS/2 mouse compatible with Microsoft.
- Make sure you do not have any mouse drivers loaded in your "CONFIG.SYS" or "AUTOEXEC.BAT" files.
- Avoid moving the mouse or pressing the mouse button when switching ports on the KVM Switch.
- Try booting the problem computer while the port is selected and wait until the operating system loads before switching to another computer.

The following definitions are used throughout this User Manual.

AutoScan: A mode of operation where the KVM Switch scans from one port to another, on an ongoing basis, as configured by the user.

Console: The all-in-one term for the keyboard, video monitor, and mouse connected to a KVM switch.

Console Port: Receptors for the console to connect to the KVM Switch.

Control: When discussing switching between ports, control means that the console is capable of sending input to the computer. Control requires that the console also has focus on the port, and is viewing it.

KVM: Literally “Keyboard Video Mouse”, this term refers to technology that allows two or more computers to be controlled by one keyboard, video monitor, and mouse; some switches that use KVM technology enable sharing of other peripherals such as audio speakers, microphones, and printers.

KVM Switch: A device that allows a user to access and control multiple computers from a single console. It has at least one console port and multiple computer ports.

Port: An interface receptor on a computer through which you can attach a device or plug in a device cable.

1

2

3

4

5

6

7

8

FCC Statement

DECLARATION OF CONFORMITY WITH FCC RULES FOR ELECTROMAGNETIC COMPATIBILITY

We, Belkin International, Inc., of 501 West Walnut Street, Compton CA 90220, declare under our sole responsibility that the products:

F1DB102P2, F1DB104P2

to which this declaration relates:

Comply with Part 15 of the FCC Rules. Operation is subject to the following two conditions:

- (1) this device may not cause harmful interference, and
- (2) this device must accept any interference received, including interference that may cause undesired operation.

CE Declaration of Conformity

We, Belkin International, Inc., declare under our sole responsibility that the products F1DB102P2, F1DB104P2, to which this declaration relates, are in conformity with Emissions Standard EN55022 and with Immunity Standard EN55024, LVP EN61000-3-2, and EN61000-3-3.

ICES

This Class B digital apparatus complies with Canadian ICES-003. Cet appareil numérique de la classe B est conforme à la norme NMB-003 du Canada.

Belkin International, Inc., Limited 2-Year Product Warranty

What this warranty covers.

Belkin International, Inc. ("Belkin") warrants to the original purchaser of this Belkin product that the product shall be free of defects in design, assembly, material, or workmanship.

What the period of coverage is.

Belkin warrants the Belkin product for two years.

What will we do to correct problems?

Product Warranty.

Belkin will repair or replace, at its option, any defective product free of charge (except for shipping charges for the product).

What is not covered by this warranty?

All above warranties are null and void if the Belkin product is not provided to Belkin for inspection upon Belkin's request at the sole expense of the purchaser, or if Belkin determines that the Belkin product has been improperly installed, altered in any way, or tampered with. The Belkin Product Warranty does not protect against acts of God such as flood, lightning, earthquake, war, vandalism, theft, normal-use wear and tear, erosion, depletion, obsolescence, abuse,

damage due to low voltage disturbances (i.e. brownouts or sags), non-authorized program, or system equipment modification or alteration.

How to get service.

To get service for your Belkin product you must take the following steps:

1. Contact Belkin International, Inc., at 501 W. Walnut St., Compton, CA 90220, Attn: Customer Service, or call (800)-223-5546, within 15 days of the Occurrence. Be prepared to provide the following information:

- a. The part number of the Belkin product.
- b. Where you purchased the product.
- c. When you purchased the product.
- d. Copy of original receipt.

2. Your Belkin Customer Service Representative will then instruct you on how to forward your receipt and Belkin product and how to proceed with your claim.

Belkin reserves the right to review the damaged Belkin product. All costs of shipping the Belkin product to Belkin for inspection shall be borne solely by the purchaser. If Belkin determines, in its sole discretion, that it is impractical to ship the damaged equipment to Belkin, Belkin may designate, in its sole discretion, an equipment repair facility to inspect and estimate the cost to repair such equipment. The cost, if any, of shipping the equipment to and from such repair facility and of such estimate shall be borne solely by the purchaser. Damaged equipment must remain available for inspection until the claim is finalized. Whenever claims are settled, Belkin reserves the right to be subrogated under any existing insurance policies the purchaser may have.

How state law relates to the warranty.

THIS WARRANTY CONTAINS THE SOLE WARRANTY OF BELKIN. THERE ARE NO OTHER WARRANTIES, EXPRESSED OR, EXCEPT AS REQUIRED BY LAW, IMPLIED, INCLUDING THE IMPLIED WARRANTY OR CONDITION OF QUALITY, MERCHANTABILITY OR FITNESS FOR A PARTICULAR PURPOSE, AND SUCH IMPLIED WARRANTIES, IF ANY, ARE LIMITED IN DURATION TO THE TERM OF THIS WARRANTY.

Some states do not allow limitations on how long an implied warranty lasts, so the above limitations may not apply to you.

IN NO EVENT SHALL BELKIN BE LIABLE FOR INCIDENTAL, SPECIAL, DIRECT, INDIRECT, CONSEQUENTIAL OR MULTIPLE DAMAGES SUCH AS, BUT NOT LIMITED TO, LOST BUSINESS OR PROFITS ARISING OUT OF THE SALE OR USE OF ANY BELKIN PRODUCT, EVEN IF ADVISED OF THE POSSIBILITY OF SUCH DAMAGES.

This warranty gives you specific legal rights, and you may also have other rights, which may vary from state to state. Some states do not allow the exclusion or limitation of incidental, consequential, or other damages, so the above limitations may not apply to you.

1

2

3

4

5

6

7

8

section

BELKIN®

OmniView® E Series KVM Switch

BELKIN®

www.belkin.com

Belkin Tech Support

UK: 0845 607 77 87

Europe: www.belkin.com/support

Belkin Ltd.

Express Business Park
Shipton Way, Rushden
NN10 6GL, United Kingdom
+44 (0) 1933 35 2000
+44 (0) 1933 31 2000 fax

Belkin SAS

130 rue de Sully
92100 Boulogne-Billancourt
France
+33 (0) 1 41 03 14 40
+33 (0) 1 41 31 01 72 fax

Belkin B.V.

Boeing Avenue 333
1119 PH Schiphol-Rijk
Netherlands
+31 (0) 20 654 73 00
+31 (0) 20 654 73 49 fax

Belkin Iberia

Avda. Cerro del Aguila 3
28700 San Sebastián de los Reyes
Spain
+34 91 625 80 00
+34 902 02 00 34 fax

Belkin GmbH

Hanebergstrasse 2
80637 Munich
Germany
+49 (0) 89 14 34 05 0
+49 (0) 89 14 34 05 100 fax

Belkin Sweden

Knarramäsgatan 7
164 40 Kista
Sweden
+46 (0) 8 5229 1870
+46 (0) 8 5229 1874 fax

BELKIN®

OmniView® Série E Switch KVM



EN

FR

DE

NL

ES

IT

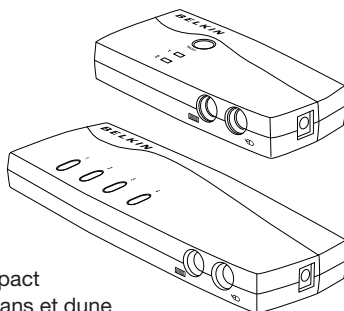
Manuel de utilisateur

F1DB102P2ea
F1DB104P2ea
F1DB102P2eaB
F1DB104P2eaB

Table des matières

| | |
|---|-----------|
| 1. Introduction..... | 1 |
| Contenu de emballage | 1 |
| 2. Présentation..... | 2 |
| Caractéristiques | 2 |
| Configuration requise | 3 |
| Configuration système requise..... | 4 |
| Illustrations de l'unité | 5 |
| Spécifications..... | 6 |
| 3. Installation..... | 7 |
| Préconfiguration | 7 |
| Mode d'emploi | 7 |
| Mise en route des systèmes..... | 10 |
| 4. Utilisation de votre switch KVM Série E | 11 |
| Sélection d'un ordinateur à l'aide des sélecteurs de ports..... | 11 |
| Sélection d'un ordinateur à l'aide des raccourcis clavier | 11 |
| Voyants | 12 |
| Mode AutoScan | 12 |
| Commandes avec raccourcis clavier | 13 |
| 5. Foire aux questions | 14 |
| 6. Dépannage | 15 |
| 7. Glossaire | 17 |
| 8. Information | 18 |

Merci d'avoir choisi ce Switch KVM OmniView de Belkin (le switch). Notre gamme variée de solutions KVM démontre l'engagement de Belkin à fournir des produits de grande qualité, durables et à un prix abordable. Conçus pour vous donner le contrôle de plusieurs ordinateurs à partir d'une console, les switches KVM de Belkin offrent diverses possibilités applicables à toutes les configurations, de petite ou de grande taille. Ce switch KVM de Belkin, compact et abordable, est assorti d'une Garantie de 2 ans et d'une assistance technique gratuite.



1

2

3

4

5

6

7

8

Vous trouverez dans ce manuel des informations sur votre nouveau switch KVM Série E, de son installation à son utilisation en passant par le dépannage, dans le cas peu probable où vous rencontreriez un problème.

Merci d'avoir choisi le Switch KVM Série E OmniView de Belkin. Nous apprécions votre confiance et sommes persuadés que vous constaterez rapidement pourquoi Belkin est le premier vendeur de switches KVM à travers le monde.

Contenu de l'emballage



OmniView Série E Switch KVM



Manuel de l'utilisateur



2 Kits de câbles KVM (F1DB102P2eaB seulement)



4 Kits de câbles KVM (F1DB104P2eaB seulement)

Caractéristiques

- Raccourcis clavier

Les raccourcis clavier permettent de sélectionner le port souhaité à l'aide de commandes de clavier spécifiques. Contrôlez jusqu'à quatre ordinateurs, selon le modèle du switch KVM, à l'aide de simples raccourcis sur votre clavier. Pour de plus amples renseignements sur les raccourcis clavier, consultez la page 13.

- AutoScan

La fonction AutoScan vous permet d'analyser et de surveiller les activités de tous les ordinateurs connectés, l'un après l'autre.

- Résolution vidéo

Le switch KVM Série E prend en charge les résolutions vidéo jusqu'à 1920 x 1440 @ 75 Hz.

- Boutons de la façade

Ces boutons poussoirs, placés sur la façade du switch KVM Série E pour plus de commodité, vous permettent de choisir un port manuellement en toute simplicité.

- Voyants

Les voyants lumineux situés sur la face avant du switch KVM Série E servent d'indicateurs d'état. Un voyant s'allume pour indiquer la console qui contrôle actuellement l'ordinateur correspondant.

Matériel requis

Câbles :

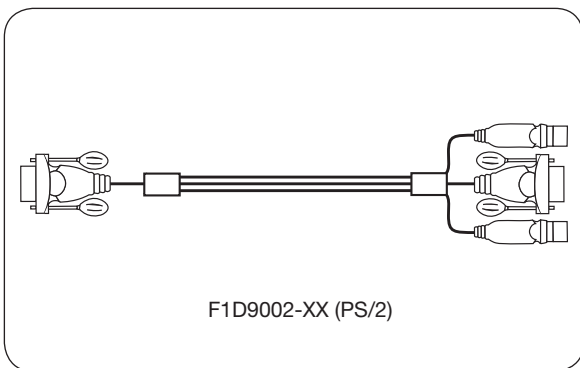
Un kit de câbles KVM Belkin est requis pour la connexion dun switch KVM Série E à un ordinateur.

Kits de câbles Série E Belkin :

F1D9002-XX (PS/2)

F1D9002x06 (PS/2)

(-XX indique la longueur en pieds)



1

2

3

4

5

6

7

8

section

Configuration requise

Systèmes d'exploitation

Le Switch KVM Série E est compatible avec des unités centrales sous les plateformes suivantes (liste non exhaustive) :

- Windows® NT®, 2000, XP, Server 2003 ou Vista™
- Microsoft® DOS 5.x et versions ultérieures
- Red Hat® Linux® 8.x et versions ultérieures
- Novell® NetWare® 5.x

Claviers

- Compatible PS/2
- Prend en charge les claviers standards à 101, 102, 104 et 106 touches

Souris

- Souris compatibles PS/2 avec 2, 3, 4 ou 5 boutons
- Souris sans fil et optiques compatibles PS/2

Moniteurs

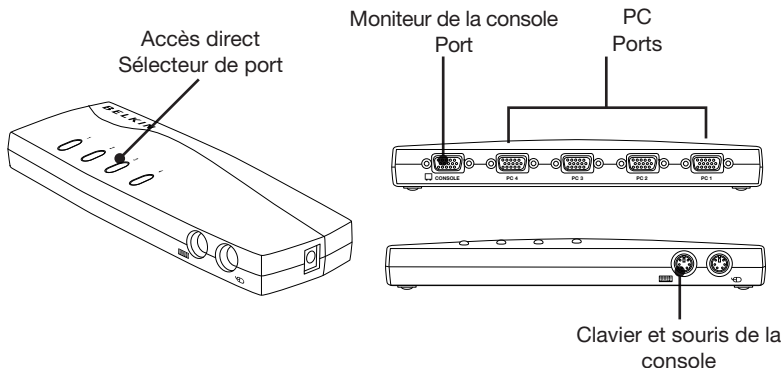
- Tubes cathodiques
- LCD (avec prise en charge VGA)

Bloc d'alimentation (facultatif)

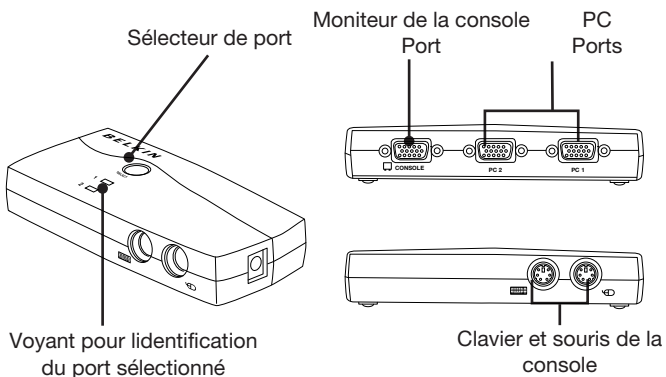
Un bloc d'alimentation 9 V/600 mA en option est disponible (référence Belkin F1D084-PWR-EUR (avec prise CEE) et F1D084-PWR-EUR (avec prise mâle anglaise)). Il n'est requis que dans de rares cas où l'alimentation en sortie de l'ordinateur connecté n'est pas suffisante pour alimenter le switch KVM.

Illustrations de l'appareil

Vue avant/arrière du Switch KVM 4 ports Série E :



Vue avant/arrière du Switch KVM 2 ports Série E :



1

2

3

4

5

6

7

8

section

Spécifications

| | |
|--|---|
| Référence : | F1DB102P2, F1DB104P2 |
| Boîtier : | Plastique à résistance élevée aux chocs |
| Alimentation : | Par le port clavier PS/2 ou un adaptateur de courant 9 V CC 600 mA en option, avec polarité positive sur la broche centrale |
| Nombre d'ordinateurs pris en charge : | 2 et 4 respectivement pour les modèles à 2 et 4 ports |
| Moniteurs pris en charge : | Tubes cathodiques et LCD (avec prise en charge VGA) |
| Résolution maximale : | Jusqu'à 1920 x 1440 @ 75 Hz |
| Entrée clavier : | miniDIN6 (PS/2) |
| Entrée souris : | miniDIN6 (PS/2) |
| Port moniteur : | VGA (HDDB15 femelle) |
| Ports PC : | HDDB15 femelle |
| Température de fonctionnement : | 0° ~ 40 °C |
| Température de stockage : | -20° ~ 60 °C |
| Humidité : | 0 à 80 % d'humidité relative sans condensation |
| Garantie : | 2 ans |
| Dimensions : | (F1DB102P2) 5.2 x 2.5 x 1 in (F1DB104P2) 8.5 x 3.2 x 1 in. |
| Poids : | (F1DB102P2) 7.2oz (F1DB104P2) 4.2oz. |

Remarque : Ces spécifications peuvent faire l'objet de modifications sans préavis.

Préconfiguration

Où installer le switch KVM

Le switch KVM Série E OmniView est conçu pour être placé sur un bureau. Son emplacement exact dépend de l'emplacement de vos unités centrales et de la longueur de vos câbles.

Prenez en considération les éléments suivants avant d'installer votre Switch KVM :

- Pensez-vous utiliser les sélecteurs de ports à accès direct ;
- la longueur des câbles reliés au clavier, au moniteur et à la souris ;
- l'emplacement de vos unités centrales reliées à votre console ;
- la longueur des câbles utilisés pour brancher vos ordinateurs au switch

Distance des câbles :

Ordinateurs PS/2 :

La transmission des signaux VGA est optimale jusqu'à 7,6 mètres. Au-delà, les risques de dégradation de la vidéo augmentent. Dès lors, Belkin recommande de ne pas utiliser de câbles de plus de 7,6 mètres entre le switch KVM et les ordinateurs branchés.

Remarque : Le Module d'extension CAT5 OmniView de Belkin (F1D084vea2) permet d'étendre la portée de votre console (clavier, souris et moniteur) de 91 mètres supplémentaires.

Avertissements !

Ne placez pas les câbles à proximité de lampes fluorescentes, de systèmes de climatisation ou d'appareils produisant du bruit électrique (les aspirateurs, par exemple).

Mode d'emploi

Vous êtes maintenant prêt à installer votre switch. Les sections suivantes (pages 8 à 10) contiennent des instructions complètes pour la mise en route du matériel.

Avant de brancher un périphérique sur le switch KVM Série E ou sur les ordinateurs, assurez-vous que tous les appareils sont éteints. Le branchement ou le débranchement de câbles lorsque les ordinateurs sont allumés risque d'endommager les ordinateurs ou le switch de façon irréversible. Belkin décline toute responsabilité en cas de dommages causés par le non-respect de cette consigne.

1

2

3

4

5

6

7

8

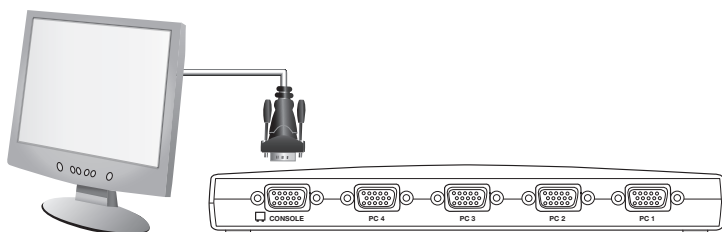
section

Branchement du clavier, du moniteur et de la souris

Branchement de la console

Étape 1

Branchez le moniteur sur le switch KVM Série E. Saisissez le câble relié à votre moniteur et branchez-le au port HDB15 femelle à l'arrière du switch KVM Série E libellé « Console ». (Reportez-vous à l'illustration ci-dessous.)



Étape 2

Branchez le clavier PS/2 au port clavier VIOLET à l'avant du switch KVM. (Reportez-vous à l'illustration ci-dessous.)

Étape 3

Branchez la souris PS/2 au port souris VERT à l'avant du switch KVM. (Reportez-vous à l'illustration ci-dessous.)



Vous êtes maintenant prêt à brancher vos ordinateurs.

Branchement des ordinateurs au switch KVM Série E

1

Étape 1

Assurez-vous que l'ordinateur est éteint.

2

Étape 2

À l'aide du Kit de câbles Série E PS/2 de Belkin (F1D9002x06), branchez le connecteur VGA au port moniteur de votre serveur. (Reportez-vous à l'illustration ci-dessous.)

3

4

Étape 3

Branchez la souris et le clavier PS/2 aux ports clavier et souris de l'ordinateur. (Reportez-vous à l'illustration ci-dessous.)

5

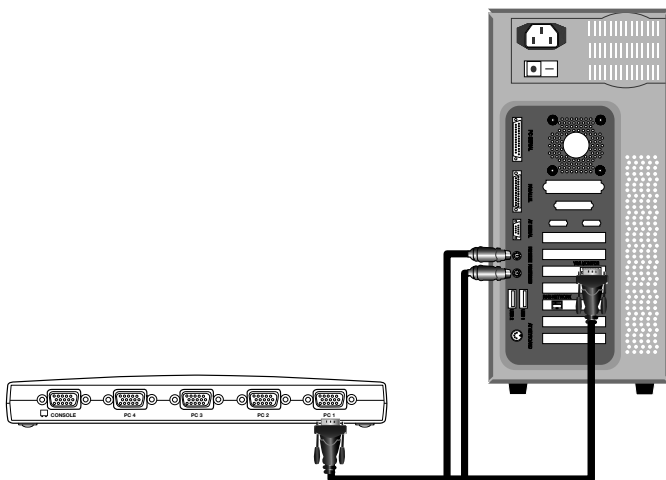
Étape 4

Branchez le Kit de câbles PS/2 Série E de Belkin au port PC désiré, à l'arrière du switch KVM Série E. (Reportez-vous à l'illustration ci-dessous.)

6

7

8



Étape 5

Allumez votre ordinateur.

Étape 6

Répétez les étapes 1 à 5 pour chaque ordinateur PS/2 supplémentaire à connecter.

Mise en route des systèmes

Assurez-vous que tous les ordinateurs branchés au switch KVM Série E sont sous tension. Si l'un des ordinateurs branchés n'est pas encore allumé, vous pouvez le faire maintenant (les ordinateurs peuvent être allumés simultanément). Le switch KVM Série E émule une souris et un clavier sur chaque port et permet l'amorçage normal de votre ordinateur. Votre switch KVM Série E est prêt à l'emploi.

L'ordinateur connecté au port « 1 » s'affiche sur le moniteur. Vérifiez si le clavier, le moniteur et la souris fonctionnent normalement. Vérifiez tous les ports occupés, afin de vous assurer que tous les ordinateurs sont connectés et répondent correctement. Si vous avez une erreur se produisant, vérifiez les branchements des câbles de cet ordinateur et réamorçez-le. Si le problème persiste, reportez-vous à la section « Dépannage » de ce manuel.

Sélection d'un ordinateur à l'aide des sélecteurs de ports

Vous pouvez sélectionner un ordinateur directement en appuyant sur le bouton sélecteur ou à l'aide d'une commande de raccourci au clavier. Le voyant s'allume à côté du numéro afin d'indiquer le port actuellement sélectionné. Il faut environ une à deux secondes pour rafraîchir le signal vidéo après le changement d'ordinateur. La souris et le clavier sont également synchronisés. Cette opération est normale et permet de vous assurer que la synchronisation a été correctement effectuée entre la console et les ordinateurs connectés.

Sélection d'un ordinateur à l'aide des raccourcis clavier

Passer au port suivant ou précédent à l'aide de séquences simples sur le clavier à l'aide de la touche « Arrêt défil » et des touches de direction vers le haut ou vers le bas. Pour envoyer vos commandes au switch KVM, vous devez appuyer deux fois sur la touche « Arrêt Défil » dans un intervalle de deux secondes. Le switch KVM Série E émet un bip pour confirmer qu'il entre en mode raccourci clavier. Ensuite, appuyez sur la flèche « Haut ». Le switch KVM Série E passe au port actif précédent. Appuyez sur la flèche « Bas » pour passer au port précédent.

Vous pouvez passer directement à un port en entrant le numéro du port à sélectionner. Par exemple, si vous appuyez sur « Arrêt défil », « Arrêt défil », « 2 », le switch KVM passe au serveur connecté au port 2.



Switch to previous active port, [UP] arrow



Switch to Port 2 [2], #2 key



Switch to next active port, [DOWN] arrow.



Switch to Port 4 [4], #4 key

Remarque : Vous disposez de trois secondes environ pour saisir la séquence en entier.

1

2

3

4

5

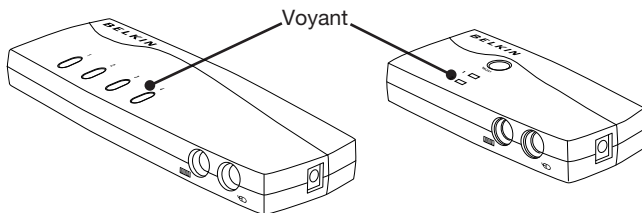
6

7

8

Sélection d'un ordinateur à l'aide des boutons sélecteurs de ports

Vous pouvez choisir directement l'ordinateur à contrôler en appuyant sur le sélecteur de port à accès direct situé à côté du port correspondant. Le témoin lumineux sert à indiquer que le port est actuellement choisi.



Voyants

Les voyants lumineux situés sur la façade du switch KVM Série E servent d'indicateurs de statut. Un voyant s'allume pour indiquer la console qui contrôle actuellement l'ordinateur correspondant. Lorsque vous appuyez sur un sélecteur de port, le voyant situé à côté s'allume. Un voyant clignotant indique qu'il n'y a pas d'ordinateur connecté à ce port ou que l'ordinateur qui y est connecté est éteint. Le voyant clignote également lorsque le switch KVM est en mode AutoScan.

Remarque : Le voyant du port est allumé en continu pour certains ordinateurs qui fournissent une alimentation continue au port clavier PS/2, même si ces ordinateurs sont éteints.

Mode AutoScan

En mode AutoScan, le switch KVM Série E reste sur un port pendant cinq secondes avant de passer au port actif suivant. Il est impossible de modifier cet intervalle.

Pour activer la fonction AutoScan, appuyez sur « Arrêt défil », « Arrêt défil », « A ».

Appuyez sur l'un des boutons de la façade ou une touche quelconque du clavier pour désactiver la fonction AutoScan.

Remarque : En mode AutoScan, il n'existe aucun contrôle souris ou clavier. Ceci permet d'éviter les erreurs de données et de synchronisation. Si l'utilisateur se sert de la souris ou du clavier lorsque le switch KVM Série E change de port, le flux de données risque d'être interrompu et de générer des mouvements de souris erratiques et/ou des saisies de caractères erronées si vous utilisez le clavier.

Commandes avec raccourcis clavier

Vous trouverez ci-dessous une liste des commandes de raccourci clavier pouvant être utilisées avec votre switch KVM Série E :

Remarque : Chacune de ces commandes doit être précédée de « Arrêt Défil », « Arrêt Défil ».

| Commande | Fonction |
|-----------|-------------------------------------|
| ↑ | Ordinateur actif précédent |
| ↓ | Ordinateur actif suivant |
| [1,2,3,4] | Commuter au port « x » (1, 2, 3, 4) |
| A | Activation de l'AutoScan |
| S | Activer/désactiver le bip |

Remarque : Vous disposez de trois secondes environ pour effectuer la séquence.

1

2

3

4

5

6

7

8

section

Q : Quels systèmes le switch KVM Série E prend-il en charge ?

R : Le switch KVM Série E prend en charge tous les systèmes d'exploitation fonctionnant sur une plate-forme PS/2. Systèmes d'exploitation possibles (liste non exhaustive) : DOS, Windows 2000, NT, XP, Serveur 2003, Vista et Linux.

Q : Puis-je connecter des ordinateurs USB sur un ordinateur hôte ?

R : Non, le switch KVM Série E ne prend en charge que des ordinateurs PS/2.

Q : Quelle est la distance maximum entre l'ordinateur et le Switch KVM ?

R : Il est possible de placer le switch KVM jusqu'à 7,6 mètres de votre ordinateur PS/2.

Q : Quelle est la résolution vidéo maximum prise en charge par le switch KVM Série E ?

R : Le circuit vidéo évolué du switch KVM Série E prend en charge une résolution maximale de 1920 x 1440 @ 75 Hz.

Q : Dois-je installer un logiciel pour pouvoir utiliser le switch KVM ?

R : Non. Le switch KVM ne demande aucune installation de pilote ou de logiciel sur vos ordinateurs. Il suffit de relier tous les ordinateurs au switch grâce aux Kits de câbles KVM de Belkin, puis de brancher un clavier, un moniteur et une souris au port de la console. Le switch est ensuite prêt à l'emploi.

Q : Le switch KVM a-t-il besoin d'un adaptateur de courant ?

R : Non, le switch KVM peut être utilisé sans adaptateur de courant externe, dans la plupart des cas.

Q : Puis-je utiliser le switch KVM Série E pour commuter uniquement les signaux vidéo ?

R : Non, le switch KVM Série E doit être branché aux ports vidéo et clavier/souris des ordinateurs. Pour fonctionner, le switch KVM doit détecter l'alimentation sur les ports PS/2 des ordinateurs.

Q : Le switch KVM est-il compatible avec Linux ?

R : Oui, le switch KVM fonctionne avec Red Hat et d'autres distributions Linux configurées pour la prise en charge PS/2.

Q : Quelle est la durée de garantie du switch KVM Série E ?

R : Le switch KVM bénéficie d'une garantie limitée de deux ans.

Mon ordinateur ne démarre pas lorsqu'il est connecté au switch KVM, mais fonctionne correctement lorsque je branche le clavier, le moniteur et la souris directement sur l'ordinateur.

- Assurez-vous que les câbles du clavier et de la souris sont bien en place entre le switch KVM et l'ordinateur.
- Vérifiez si les câbles du clavier et de la souris ne sont pas intervertis.
- Vérifiez que les câbles sont correctement branchés.

Jobtiens des images floues, ombragées ou dédoublées sur le moniteur.

- Vérifiez que tous les câbles vidéo sont correctement branchés au Kit de câbles.
- Vérifiez sur votre ordinateur que le moniteur utilisé prend bien en charge la résolution et le taux de rafraîchissement.
- Diminuez la résolution vidéo de votre moniteur.
- Assurez-vous que la longueur du câble ne dépasse pas 7,6 mètres.
- Vérifiez sur votre ordinateur que la carte graphique utilisée prend bien en charge la résolution et le taux de rafraîchissement.
- Branchez le moniteur directement sur l'ordinateur qui vous pose problème afin de savoir si ce problème se produit toujours.

Jobtiens un écran noir.

- Vérifiez que tous les câbles vidéo sont correctement branchés.
- Assurez-vous que le câble du clavier est correctement branché à l'ordinateur et au port approprié sur le switch KVM.
- Bougez la souris et vérifiez s'il est nécessaire d'ouvrir une session utilisateur.
- Branchez directement le moniteur sur l'ordinateur afin de vérifier qu'il fonctionne correctement.

L'ordinateur ne détecte aucun clavier et jobtiens une erreur de clavier au démarrage.

- Assurez-vous que le câble du clavier du switch KVM est bien branché à l'ordinateur. Si cela n'est pas le cas, resserrez-le.
- Si vous utilisez le pilote fourni avec votre clavier, désinstallez-le, puis réinstallez le pilote de clavier Microsoft standard.

1

2

3

4

5

6

7

8

Je perds la souris lorsque je passe sur un autre port.

- Vérifiez que la souris utilisée est correctement branchée sur le port console du switch KVM.
- Enfoncez le connecteur s'il n'est pas correctement branché.
- Si vous utilisez le pilote fourni avec votre souris, désinstallez-le, puis installez le pilote de souris Microsoft standard.
- Assurez-vous que la souris fonctionne lorsqu'elle est directement branchée sur l'ordinateur.
- Si l'ordinateur sort juste du mode de veille, attendez une minute avant que la souris fonctionne.
- Désactivez les programmes de gestion de l'énergie sur l'ordinateur qui présente des problèmes.
- Si vous avez branché/débranché à chaud ou modifié votre configuration KVM, assurez-vous d'avoir éteint tous les ordinateurs connectés. Ensuite, réinstallez le switch KVM tel que décrit en pages 8 à 10 de ce manuel.
- Essayez une autre souris.

La souris n'est pas détectée au démarrage.

- Vérifiez les câbles et assurez-vous qu'ils sont correctement insérés.

L'ordinateur démarre, mais la souris ne fonctionne pas.

- Assurez-vous que la souris est correctement branchée.
- Assurez-vous que la souris fonctionne lorsqu'elle est directement branchée sur l'ordinateur. Il peut être nécessaire de redémarrer le serveur pour effectuer cette vérification.
- Essayez une autre souris.
- Essayez de redémarrer l'ordinateur problématique tandis que le port est sélectionné, et patientez jusqu'à ce que le système d'exploitation soit entièrement chargé avant de commuter vers un autre ordinateur.

L'ordinateur démarre, mais la souris ne fonctionne pas.

- Si vous avez branché/débranché à chaud ou modifié votre configuration KVM, assurez-vous d'avoir éteint tous les ordinateurs connectés. Ensuite, réinstallez le switch KVM tel que décrit en pages 8 à 10 de ce manuel.
- Vérifiez qu'un seul pilote de souris est installé. Assurez-vous que le pilote est prévu pour une souris USB ou PS/2 standard ou une souris PS/2 compatible Microsoft.
- Assurez-vous qu'aucun pilote de souris n'est chargé dans vos fichiers « CONFIG.SYS » ou « AUTOEXEC.BAT ».
- Ne déplacez pas la souris et n'appuyez pas sur ses boutons lorsque vous changez de port sur le switch KVM.
- Essayez de redémarrer l'ordinateur problématique tandis que le port est sélectionné, et patientez jusqu'à ce que le système d'exploitation soit entièrement chargé avant de commuter vers un autre ordinateur.

Les définitions suivantes sont utilisées dans ce manuel :

AutoScan : Mode de fonctionnement dans lequel le switch analyse les ports lun après lautre selon une base de progression définie par lutilisateur.

Console : Terme tout-en-un désignant le clavier, le moniteur et la souris connectés à un switch KVM.

Port de la console : Récepteurs pour la console permettant de se connecter au switch KVM.

Contrôle : Dans le domaine de la permutation de ports, le contrôle correspond au fait que la console est capable denvoyer des données en entrée à lordinateur. Le contrôle nécessite que le port soit activé et affiché par la console.

KVM : Littéralement, « Keyboard Video Mouse ». Ce terme fait référence à la technologie permettant à deux ordinateurs ou plus dêtre contrôlés par un même ensemble clavier-moniteur-souris. Certains switches proposent une technologie KVM permettant de partager dautres périphériques, tels que des enceintes, un microphone ou une imprimante.

Switch KVM : Dispositif permettant à un utilisateur daccéder à de multiples ordinateurs et de contrôler ceux-ci à partir dune seule console. Il possède au moins un port de console et plusieurs ports de serveurs.

Port : Récepteur dinterface sur un ordinateur au moyen duquel vous pouvez relier un périphérique ou brancher un câble de périphérique.

1

2

3

4

5

6

7

8

section

Déclaration FCC

DÉCLARATION DE CONFORMITÉ À LA RÉGLEMENTATION FCC EN MATIÈRE DE COMPATIBILITÉ ÉLECTROMAGNÉTIQUE

Belkin International, Inc., dont le siège se situe au 501 West Walnut Street, Compton, CA 90220, États-Unis, déclare sous sa propre et unique responsabilité que les produits :

F1DB102P2, F1DB104P2

auquel se réfère la présente déclaration :

Sont conformes aux normes énoncées à l'alinéa 15 de la réglementation FCC. Le fonctionnement est assujéti aux deux conditions suivantes :

- (1) cet appareil ne peut pas engendrer d'interférences nuisibles et
- (2) cet appareil doit accepter toute interférence reçue, y compris les interférences pouvant entraîner un fonctionnement non souhaité.

Déclaration de conformité CE

Belkin International, Inc., déclare sous sa propre et unique responsabilité que les produits F1DB102P2, F1DB104P2, auxquels se réfère la présente déclaration, ont été élaborés en conformité avec les normes démissions EN55022 ainsi que les normes d'immunité EN55024, LVP EN61000-3-2 et EN61000-3-6.

ICES

This Class B digital apparatus complies with Canadian ICES-003. Cet appareil numérique de la classe B est conforme à la norme NMB-003 du Canada.

Garantie limitée de 2 ans du produit de Belkin International, Inc.

Couverture offerte par la garantie

Belkin International, Inc. (« Belkin ») garantit à l'acheteur initial de ce produit Belkin que le produit est exempt de défauts de conception, de montage, de matériau et de fabrication.

Période de couverture

Belkin garantit ce produit Belkin pour une période de deux ans.

En cas de problème

Garantie du produit

Belkin s'engage à réparer ou à remplacer gratuitement, à sa convenance, tout produit défectueux (sans intervention dans les frais d'expédition du produit).

Limites de la couverture offerte par la garantie

Toutes les garanties précitées sont nulles et non avenues si le produit Belkin n'est pas retourné à Belkin, à la demande expresse de celui-ci, l'acheteur étant responsable de l'acquisition des frais d'expédition, ou si Belkin détermine que le produit Belkin a été installé de façon inappropriée ou modifié d'une quelconque manière. La garantie du produit Belkin ne protège pas contre des calamités naturelles comme les inondations, les tremblements de terre, la foudre, la guerre, le vandalisme, le vol, l'usure normale, l'érosion, l'épuisement, l'obsolescence, l'abus, les dommages provoqués par des perturbations de basse tension (baisses ou affaissements de tension, par exemple),

un programme non autorisé ou une modification de l'équipement du système.

Pour une demande d'intervention

Procédez comme suit pour obtenir une réparation de votre produit Belkin :

1. Contactez Belkin International, Inc., au 501 W. Walnut St., Compton CA 90220, États-Unis, À l'attention de : Customer Service (service client) ou appelez le (800)-223-5546 15 jours maximum après l'événement. Préparez-vous à fournir les informations suivantes :
 - a. Référence du produit Belkin.
 - b. Lieu d'achat du produit.
 - c. Date d'achat du produit.
 - d. Copie de la preuve d'achat originale.
2. Le représentant du service clientèle de Belkin vous expliquera comment nous faire parvenir votre facture et le produit Belkin, ainsi que la marche à suivre pour présenter votre réclamation.

Belkin se réserve le droit d'examiner le produit Belkin endommagé. Tous les frais d'expédition du produit Belkin à l'adresse de Belkin en vue de son inspection seront entièrement à la charge de l'acheteur. Si Belkin détermine, à son entière discrétion, qu'il serait impossible d'expédier l'équipement endommagé à Belkin, Belkin peut désigner un atelier de réparation de son choix pour l'inspection du produit et l'établissement d'un devis de réparation. Les coûts, s'il en est, pour l'expédition de l'équipement jusqu'à l'atelier de réparation et le retour, et pour l'estimation, seront entièrement assumés par l'acheteur. L'équipement endommagé doit être disponible pour inspection jusqu'à ce que la demande de réclamation soit réglée. Lorsqu'un règlement intervient, Belkin se réserve le droit d'un recours en subrogation sous toute autre police d'assurance détenue par l'acheteur.

Relation entre le Droit national et la garantie

CETTE GARANTIE NE COMPREND QUE LA GARANTIE BELKIN. BELKIN REJETTE PAR LE PRÉSENT DOCUMENT TOUTES LES AUTRES GARANTIES, EXPLICITES OU IMPLICITES, SAUF EXCEPTIONS PRÉVUES PAR LA LOI, Y COMPRIS MAIS SANS SY LIMITER, LES GARANTIES IMPLICITES AFFÉRENTES À LA QUALITÉ LOYALE ET MARCHANDE ET À L'ADÉQUATION À UNE FINALITÉ DONNÉE. CES GARANTIES IMPLICITES, LE CAS ÉCHÉANT, SONT DUNE DURÉE LIMITÉE AUX CONDITIONS DE LA PRÉSENTE GARANTIE.

Certains pays ne permettent pas d'imposer de limite à la durée de validité des garanties implicites. Il se peut donc que les limites précitées ne s'appliquent pas dans votre cas.

BELKIN NE PEUT EN AUCUN CAS ÊTRE TENU RESPONSABLE DE DOMMAGES ACCESSOIRES, DIRECTS, INDIRECTS OU MULTIPLES, Y COMPRIS, MAIS SANS SY LIMITER, LA PERTE DE REVENUS OU D'AFFAIRES DÉCOULANT DE LA VENTE OU DE L'UTILISATION DE TOUT PRODUIT BELKIN, MÊME LORSQU'IL A ÉTÉ AVISÉ DE LA PROBABILITÉ DES DITS DOMMAGES.

La garantie vous confère des droits légaux spécifiques. Vous pouvez également bénéficier d'autres droits qui varient d'un pays à l'autre. Certains pays ne permettent pas d'imposer de limite à la durée de validité des garanties implicites. Il se peut donc que les limites ci-dessus ne s'appliquent pas dans votre cas.

1

2

3

4

5

6

7

8

section

BELKIN®

www.belkin.com

Assistance technique Belkin

Royaume-Uni : 0845 607 77 87

Europe : www.belkin.com/support

Belkin Ltd.

Express Business Park
Shipton Way, Rushden
NN10 6GL, Royaume-Uni
+44 (0) 1933 35 2000
+44 (0) 1933 31 2000 fax

Belkin SAS

130 rue de Sully
92100 Boulogne-Billancourt
France
+33 (0) 1 41 03 14 40
+33 (0) 1 41 31 01 72 Fax

Belkin B.V.

Boeing Avenue 333
1119 PH Schiphol-Rijk
Pays-Bas
+31 (0) 20 654 73 00
+31 (0) 20 654 73 49 fax

Belkin Iberia

Avda Cerro del Aguila 3
28700 San Sebastián de los Reyes
Espagne
+34 91 625 80 00
+34 902 02 00 34 Fax

Belkin GmbH

Hanebergstraße 2
80637 Munich
Allemagne
+49 (0) 89 14 34 05 0
+49 (0) 89 14 34 05 100 Fax

Belkin Suède

Knarramäsgatan 7
164 40 Kista
Suède
+46 (0) 8 5229 1870
+46 (0) 8 5229 1874 fax

BELKIN®

OmniView® E-Serie KVM-Switch



EN

FR

DE

NL

ES

IT

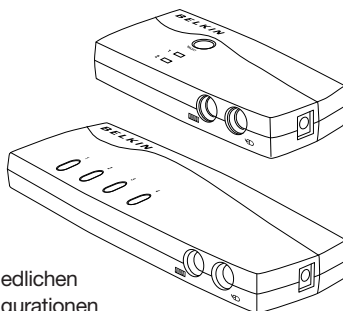
Benutzerhandbuch

F1DB102P2ea
F1DB104P2ea
F1DB102P2eaB
F1DB104P2eaB

Inhaltsverzeichnis

| | |
|--|-----------|
| 1. Einleitung | 1 |
| Verpackungsinhalt | 1 |
| 2. Übersicht | 2 |
| Merkmale | 2 |
| Erforderliches Zubehör 3 | |
| Systemvoraussetzungen | 4 |
| Bestandteile | 5 |
| Technische Daten | 6 |
| 3. Installation | 7 |
| Vorbereitung des Geräts | 7 |
| Installationsanweisungen | 7 |
| Hochfahren der Computer..... | 10 |
| 4. Verwenden des KVM-Switches aus der E-Serie | 11 |
| Auswahl eines Computers mit Direktwahlschalter | 11 |
| Auswahl eines Computers mit Tastaturbefehlen..... | 11 |
| LED-Anzeigen..... | 12 |
| AutoScan-Modus | 12 |
| Übersicht über die Tastaturbefehle | 13 |
| 5. Häufig gestellte Fragen | 14 |
| 6. Fehlerbehebung | 15 |
| 7. Glossar | 17 |
| 8. Informationen | 18 |

Wir beglückwünschen Sie zum Kauf dieses OmniView KVM Switches von Belkin (im Folgenden als KVM-Switch bezeichnet). Unsere vielfältige Reihe an KVM-Produkten zeigt die hohen Qualitätsansprüche, die Belkin an sich stellt. Der Name Belkin steht für hochwertige, dauerhafte Produkte zu einem günstigen Preis. Mit KVM-Switches von Belkin steuern Sie mehrere Computer bzw. Server von einer Konsole aus. Die KVM-Switches von Belkin sind in unterschiedlichen Ausführungen für alle großen und kleinen Konfigurationen erhältlich. Für den kompakten und preisgünstigen KVM-Switch von Belkin erhalten Sie zwei Jahre Garantie sowie kostenlosen technischen Support.



Dieses Handbuch beschreibt Ihren KVM-Switch aus der E-Serie detailliert: von der Installation über die Bedienung bis zur Fehlerbehebung, sollte einmal ein Problem auftreten.

Wir danken Ihnen dafür, dass Sie sich für den OmniView KVM-Switch aus der E-Serie von Belkin entschieden haben. Wir freuen uns über Ihre Wahl und sind davon überzeugt, dass Sie schnell erkennen werden, warum Belkin die Nr. 1 ist, wenn es um KVM-Switches geht.

Verpackungsinhalt



OmniView E-Serie KVM-Switch



Benutzerhandbuch



2 KVM-Kabelsätze (nur F1DB102P2eaB)



4 KVM-Kabelsätze (nur F1DB104P2eaB)

Merkmale

- Tastaturbefehle (Hot Keys)

Sie können die gewünschte Schnittstelle mit Hilfe von Tastaturbefehlen auswählen. Je nachdem, über welches KVM-Switch-Modell Sie verfügen, können Sie bis zu vier Computer über einfache Tastaturbefehle steuern. Eine Anleitung für den Umgang mit Tastaturbefehlen finden Sie in diesem Handbuch auf Seite 13.

- AutoScan

Mit der AutoScan-Funktion können Sie die Aktivitäten aller vernetzten Computer einzeln abfragen und überwachen.

- Bildschirmauflösung

Der KVM-Switch aus der E-Serie unterstützt Bildschirmauflösungen bis zu 1920 x 1440 / 75 Hz.

- Direktwahltasten an der Vorderseite

Mit den Direktwahltasten, die bequem auf dem Bedienfeld des KVM-Switches aus der E-Serie angebracht sind, können Sie Schnittstellen einfach manuell auswählen.

- LED-Anzeigen

Die LED-Anzeige auf dem Bedienfeld des KVM-Switches aus der E-Serie dient als Statusmonitor. Eine LED-Anzeige leuchtet auf, um die Konsole anzuzeigen, die gerade den betreffenden Computer steuert.

Erforderliches Zubehör

Kabel:

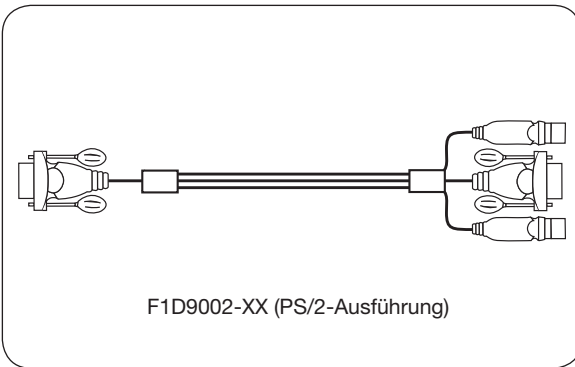
Zum Anschluss des KVM-Switches aus der E-Serie an einen Computer ist ein KVM-Kabelsatz von Belkin erforderlich.

Kabelsätze für die E-Serie von Belkin:

F1D9002-XX (PS/2-Ausführung)

F1D9002x06 (PS/2-Ausführung)

(XX = Länge gemessen in Fuß)



1

2

3

4

5

6

7

8

Kapitel

Systemvoraussetzungen

Betriebssysteme

Der KVM-Switch aus der E-Serie ist kompatibel mit CPUs, die mit folgenden Betriebssystemen betrieben werden, ist aber nicht auf diese beschränkt.

- Windows® NT®, 2000, XP, Server 2003 oder Vista™
- Microsoft® DOS 5.x und höher
- Red Hat® Linux® 8.x und höher
- Novell® NetWare® 5.x

Tastaturen

- PS/2-kompatibel
- Unterstützt Standard-Tastaturen mit 101/102/104/106 Tasten

Mäuse

- PS/2-kompatible Mäuse mit 2, 3, 4 oder 5 Tasten
- PS/2-kompatible Funk- oder optische Mäuse

Bildschirme

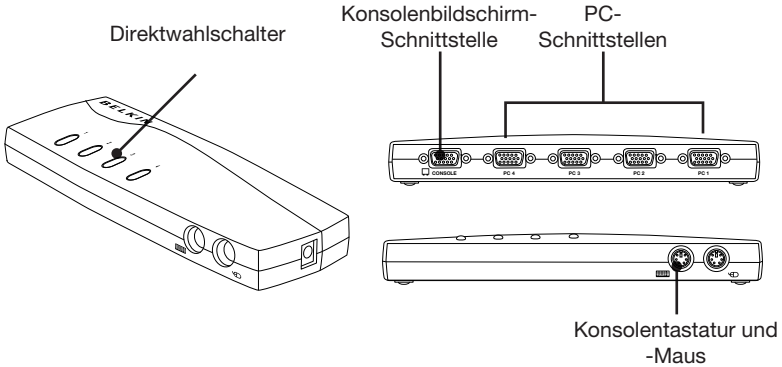
- CRT
- LCD (mit VGA-Unterstützung)

Optionales Netzteil

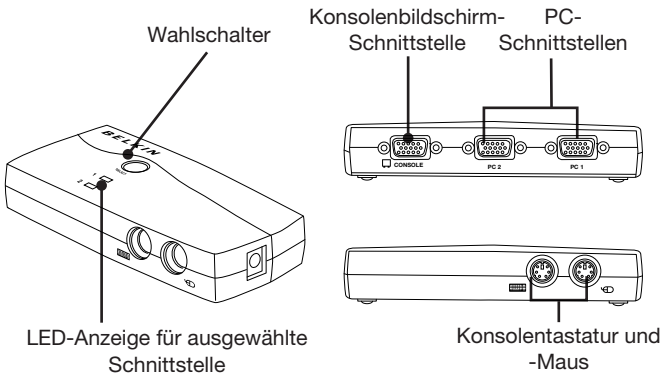
Ein optionales Netzteil (9 V, 600 mA) ist erhältlich (Belkin Artikelnummer F1D084-PWR-EUR [mit Schuko-Stecker] und F1D084-PWR-EUR [mit Stecker für GB]). Es wird nur in Ausnahmefällen benötigt, wenn die abgegebene Leistung des angeschlossenen Computers nicht für die Stromversorgung des KVM-Switches geeignet ist.

Bestandteile

Vorder-/Rückansicht des 4-Port KVM-Switches aus der E-Serie:



Vorder-/Rückansicht des 2-Port KVM-Switches aus der E-Serie:



1

2

3

4

5

6

7

8

Kapitel

Technische Daten

| | |
|---------------------------------------|--|
| Artikelnr.: | F1DB102P2, F1DB104P2 |
| Gehäuse: | Schlagfester Kunststoff |
| Stromversorgung: | Über PS/2-Tastaturanschluss am Computer oder Netzteil (9 V DC, 600 mA) mit positivem Mittelkontakt.” |
| Anzahl unterstützter Computer: | 2 oder 4 für 2- bzw. 4-Port-Modelle |
| Unterstützte Bildschirme: | CRT und LCD (VGA-Unterstützung) |
| Maximale Bildschirmauflösung: | Bis zu 1920 x 1440 / 75 Hz |
| Tastatureingang: | PS/2 (6pol. miniDIN) |
| Mauseingang: | PS/2 (6pol. miniDIN) |
| Bildschirmanschluss: | VGA (HDDB15-Buchse) |
| PC-Anschlüsse: | HDDB15-Buchse |
| Betriebstemperatur: | 0° - 40° C |
| Lagertemperatur: | 20 - 60°C |
| Relative Luftfeuchtigkeit: | 0 bis 80%, nicht kondensierend |
| Garantie: | 2 Jahre |
| Abmessungen: | (F1DB102P2) 132,1 mm x 63,5 mm x 25,4 mm (F1DB104P2) 215,9 x 81,3 x 25,4 mm |
| Gewicht: | (F1DB102P2) 204 g (F1DB104P2) 119 g |

Hinweis: Unangekündigte technische Änderungen jederzeit vorbehalten.

Vorbereitung des Geräts

Aufstellung des KVM-Switches

Der OmniView KVM-Switch aus der E-Serie ist für die Aufstellung auf dem Schreibtisch konstruiert. Die genaue Aufstellung ist abhängig von der Aufstellung Ihrer Computer und der Länge Ihrer Kabel.

Bitte beachten Sie bei der Aufstellung des KVM-Switches Folgendes:

- Ob Direktwahlschalter verwendet werden sollen
- Die Länge der Tastatur-, Bildschirm- und Maus kabel
- Den Abstand zwischen den Computern und der Konsole
- Die Länge der Verbindungskabel zwischen Computern und KVM-Switch

Zulässige Kabellängen:

Für PS/2-Computer:

VGA-Signale werden am besten über Entfernungen von bis zu 7,6 m übertragen. Bei größeren Abständen kann sich die Bildqualität verschlechtern. Daher empfehlen wir für die Verbindung zwischen dem KVM-Switch und den Computern Kabel von höchstens 7,6 m.

Hinweis: Mit der OmniView CAT5-Erweiterung (F1D084vea2) von Belkin kann eine Entfernung von bis zu 91 m zur Konsole (Tastatur, Maus und Bildschirm) überbrückt werden.

Warnhinweise!

Kabel sollten nicht in der Nähe von fluoreszierenden Lichtquellen, Klimaanlage oder Geräten, die elektrische Störeinflüsse hervorrufen (z. B. Staubsauger) verlegt werden.

Installationsanweisungen

Jetzt können Sie mit der Installation Ihres KVM-Switches beginnen. In den folgenden Abschnitten (S. 8–10) finden Sie genaue Anweisungen für die Installation der Hardware.

Bevor Sie an den KVM-Switch aus der E-Serie oder einen der Computer Geräte anschließen, müssen Sie unbedingt alle Komponenten ausschalten. Das Anschließen oder Herausziehen von Kabeln bei eingeschaltetem Computer kann zu irreparablen Schäden am Computer bzw. KVM-Switch führen. Belkin übernimmt keinerlei Haftung für auf diese Weise verursachte Schäden.

1

2

3

4

5

6

7

8

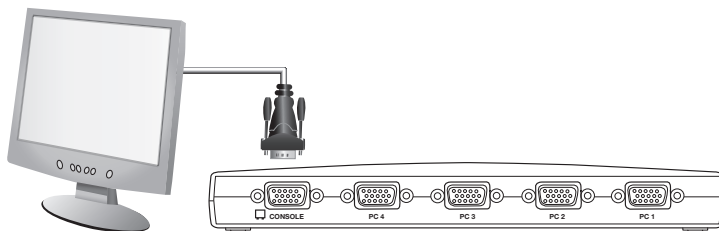
Kapitel

Anschließen von Tastatur, Bildschirm und Maus

Anschluss der Konsole

Schritt 1

Schließen Sie den Bildschirm an den KVM-Switch aus der E-Serie an. Schließen Sie das Bildschirmkabel an die HDDB15-Buchse mit der Aufschrift „Console“ (Konsole) an, die sich auf der Rückseite des KVM-Switches an der linken Seite befindet. (Siehe Abbildung unten.)



Schritt 2

Schließen Sie die PS/2-Tastatur an den VIOLETTEN Tastaturanschluss an der Vorderseite des KVM-Switches an. (Siehe Abbildung unten.)

Schritt 3

Schließen Sie die PS/2-Maus an den GRÜNEN Mausanschluss an der Vorderseite des KVM-Switches an. (Siehe Abbildung unten.)



Nun können Sie die Computer anschließen.

Anschließen von Computern an den KVM-Switch aus der E-Serie

1

2

3

Kapitel

4

5

6

7

8

Schritt 1

Stellen Sie sicher, dass der Computer abgeschaltet ist.

Schritt 2

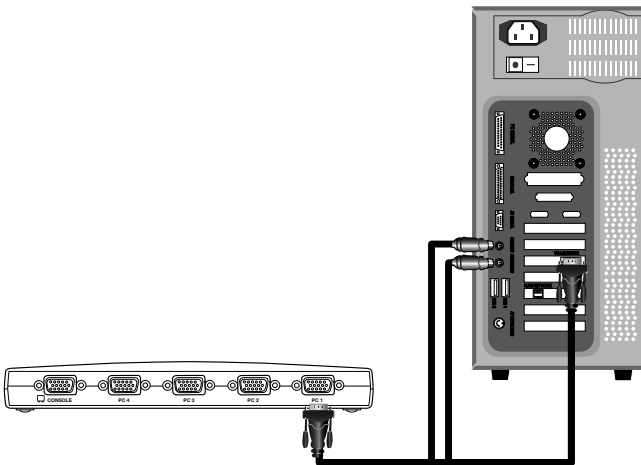
Schließen Sie den VGA-Stecker des PS/2-Kabelsatzes für die E-Serie von Belkin (F1D9002x06) an den Bildschirmanschluss des Computers an. (Siehe Abbildung unten.)

Schritt 3

Schließen Sie die PS/2-Maus- und -Tastatur an die Maus- und Tastaturanschlüsse des Computers an. (Siehe Abbildung unten.)

Schritt 4

Schließen Sie den PS/2-Kabelsatz für die E-Serie an den ausgewählten PC-Anschluss an der Rückseite des KVM-Switches aus der E-Serie an. (Siehe Abbildung unten.)



Schritt 5

Schalten Sie Ihren Computer ein.

Schritt 6

Wiederholen Sie Schritt 1 bis 5 für jeden weiteren anzuschließenden PS/2-Computer.

Hochfahren der Computer

Überprüfen Sie, ob alle Computer, die mit dem KVM-Switch aus der E-Serie verbunden sind, eingeschaltet sind. Sollte der ein oder andere angeschlossene Computer noch nicht hochgefahren sein, können Sie dies jetzt tun (die Computer können gleichzeitig hochgefahren werden). Der KVM-Switch aus der E-Serie emuliert an jeder Schnittstelle eine Tastatur und eine Maus und ermöglicht dem Computer einen normalen Systemstart. Jetzt ist der KVM-Switch aus der E-Serie betriebsbereit.

Der Computer an Anschluss 1 (Port 1) wird auf dem Bildschirm angezeigt. Überprüfen Sie, ob Tastatur, Bildschirm und Maus ordnungsgemäß funktionieren. Überprüfen Sie alle belegten Schnittstellen, um sicherzustellen, dass alle Computer angeschlossen sind und ordnungsgemäß reagieren. Wenn ein Fehler auftritt, überprüfen Sie die Kabelverbindungen des betreffenden Computers, und starten Sie ihn neu. Bleibt das Problem bestehen, finden Sie weitere Hinweise im Abschnitt „Fehlerbehebung“ in diesem Handbuch.

Auswahl eines Computers mit Direktwahlschalter

Sie können direkt auf einen angeschlossenen Computer zugreifen, indem Sie auf den Direktwahlschalter drücken oder einen Tastaturbefehl verwenden. Die LED-Anzeige neben der Nummer leuchtet auf, um anzuzeigen, dass die Schnittstelle ausgewählt ist. Nach dem Umschalten dauert es ca. 1 bis 2 Sekunden, bis der Bildschirm aktualisiert wird. Außerdem werden Maus- und Tastatursignale neu synchronisiert. Dies ist die normale Auswirkung einer Funktion, die die ordnungsgemäße Synchronisierung der Konsole mit den angeschlossenen Computern sicherstellt.

Auswahl eines Computers mit Tastaturbefehlen

Schalten Sie durch einfache Tastenfolgen aus der Taste „Rollen“ und den Tasten „Pfeil-nach-oben“ bzw. „Pfeil-nach-unten“ zur nächsten bzw. vorherigen Schnittstelle um. Um Befehle an das KVM-Gerät zu senden, müssen Sie die Rollen-Taste innerhalb von zwei Sekunden zweimal drücken. Der KVM-Switch aus der E-Serie gibt einen Signalton aus und bestätigt damit den Betrieb mit Tastaturbefehlen (Hotkey-Modus). Drücken Sie anschließend auf die Taste „Pfeil-nach-oben“. Der KVM-Switch aus der E-Serie schaltet zu der Schnittstelle um, die vorher aktiv gewesen ist. Drücken Sie auf die Taste „Pfeil-nach-unten“, um zur nächsten aktiven Schnittstelle umzuschalten.

Sie können direkt zu einer bestimmten Schnittstelle umschalten, indem Sie die Nummer der Schnittstelle eingeben. Wenn Sie zum Beispiel „Rollen“, „Rollen“, „2“ drücken, schaltet der KVM-Switch zum Computer an Schnittstelle 2 um.



Switch to previous active port, [UP] arrow



Switch to Port 2 [2], #2 key



Switch to next active port, [DOWN] arrow.

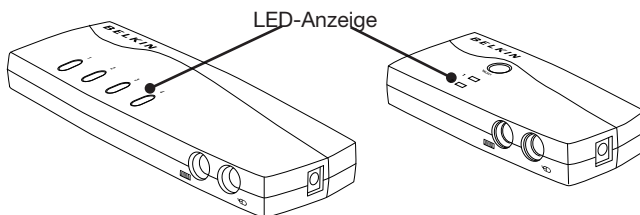


Switch to Port 4 [4], #4 key

Hinweis: Sie müssen jede Befehlstastenfolge innerhalb von ca. drei Sekunden abschließen.

Auswahl eines Computers mit Direktwahlschalter

Sie können den gewünschten Computer mit dem Direktwahlschalter neben der entsprechenden Schnittstelle direkt auswählen. Die entsprechende LED-Anzeige leuchtet auf, um anzuzeigen, dass die Schnittstelle ausgewählt ist.



LED-Anzeigen

Die LED-Anzeigen auf dem Bedienfeld des KVM-Switches aus der E-Serie dienen als Statusmonitor. Eine LED-Anzeige leuchtet auf, um die Konsole anzuzeigen, die gerade den betreffenden Computer steuert. Wenn ein Direktwahlschalter gedrückt wird, leuchtet die LED-Anzeige neben dem Schalter auf. Wenn eine LED-Anzeige blinkt, wird damit angezeigt, dass kein Computer an diese Schnittstelle angeschlossen ist, oder dass der angeschlossene Computer ausgeschaltet ist. Die LED-Anzeige blinkt auch, wenn der KVM-Switch sich im AutoScan-Modus befindet.

Hinweis: Die Schnittstellen-Anzeige zeigt Dauerlicht für manche Computer an, die den PS/2-Tastaturanschluss kontinuierlich mit Strom versorgen, auch wenn sie heruntergefahren sind.

AutoScan-Modus

Im AutoScan-Modus verbleibt der KVM-Switch aus der E-Serie fünf Sekunden lang an jeder aktiven Schnittstelle, bevor er zur nächsten weiterschaltet. Dieses Intervall kann nicht geändert werden.

Drücken Sie zur Aktivierung der AutoScan-Funktion die Tasten „Rollen“ „Rollen“ „0“.

Drücken Sie eine beliebige Taste auf dem Bedienfeld oder auf der Tastatur, um die AutoScan-Funktion wieder abzuschalten.

Hinweis: Im AutoScan-Modus können Maus und Tastatur nicht gesteuert werden. Dadurch werden Daten- und Synchronisierungsfehler verhindert. Wenn der Benutzer die Maus oder Tastatur während des Umschaltens des KVM-Switches aus der E-Serie zu einer anderen Schnittstelle betätigt, wird der Datenfluss möglicherweise unterbrochen. Dies kann zu fehlerhaften Mausbewegungen und falschen Tastatureingaben führen.

Übersicht über die Tastaturbefehle

In der Tabelle unten finden Sie eine komplette Liste mit Tastaturbefehlen, die Sie für Ihren KVM-Switch aus der E-Serie verwenden können:

Hinweis: Vor jedem Befehl muss die Rollen-Taste zweimal gedrückt werden („Rollen“, „Rollen“).

| Befehl | Funktion |
|-----------|---|
| ↑ | Vorher aktiver Computer |
| ↓ | Nächster aktiver Computer |
| [1,2,3,4] | Umschaltung zu Schnittstelle „x“ (1, 2, 3, 4) |
| A | Aktiviert AutoScan |
| S | Ein-/Ausschalten des Signaltons |

Hinweis: Sie müssen jede Befehlstastenfolge innerhalb von ca. drei Sekunden abschließen.

1

2

3

4

5

6

7

8

F: Welche Betriebssysteme werden vom KVM-Switch aus der E-Serie unterstützt?

A: Der KVM-Switch aus der E-Serie unterstützt nur PS/2-fähige Betriebssysteme. Unter anderem werden DOS; Windows 2000, NT, XP, Server 2003, Vista und Linux unterstützt.

F: Können an der Host-Seite USB-Computer angeschlossen werden?

A: Nein, der KVM-Switch aus der E-Serie unterstützt nur PS/2-Computer.

F: Wie groß darf der Abstand zwischen Computer und KVM-Switch sein?

A: Der KVM-Switch kann in einem Abstand von 7,6 Metern vom PS/2-Computer aufgestellt werden.

F: Welche Bildschirmauflösung wird vom KVM-Switch aus der E-Serie maximal unterstützt?

A: Das durchdachte Grafikmodul des KVM-Switches ermöglicht Auflösungen bis zu 1920 x 1440 / 75 Hz.

F: Muss ich für den KVM-Switch Software installieren?

A: Nein. Für den KVM-Switch müssen weder Treiber noch andere Software installiert werden. Verbinden Sie einfach alle Computer mit den KVM-Kabelsätzen von Belkin und schließen Sie eine Tastatur, einen Bildschirm und eine Maus an die Konsolenschnittstelle an. Das Gerät ist jetzt betriebsbereit.

F: Wird für den KVM-Switch ein Netzteil benötigt?

A: Nein, in den meisten Fällen ist für den KVM-Switch kein externes Netzteil erforderlich.

F: Kann ich den KVM-Switch aus der E-Serie ausschließlich zum Umschalten von Bildschirmsignalen verwenden?

A: Nein. Der KVM-Switch muss sowohl an die Grafik- als auch an die Tastatur- und Mausschnittstellen Ihres Servers angeschlossen werden. Der KVM-Switch benötigt die Stromversorgung der PS/2-Anschlüsse an Ihren Computern, um ordnungsgemäß funktionieren zu können.

F: Unterstützt der KVM-Switch Linux?

A: Ja. Der KVM-Switch eignet sich für Red Hat und andere Linux-Distributionen, die für PS/2-Unterstützung konfiguriert sind.

F: Wie lange ist die Garantiezeit für den KVM-Switch aus der E-Serie?

A: Wir gewähren zwei Jahre eingeschränkte Herstellergarantie für den KVM-Switch.

Mein Computer fährt nicht hoch, wenn er an den KVM-Switch angeschlossen ist, funktioniert aber einwandfrei, wenn ich Tastatur, Bildschirm und Maus direkt an den Computer anschlieÙe.

- Stellen Sie sicher, dass Tastatur- und Mauskabel korrekt an KVM-Switch und Computer angeschlossen sind.
- Überprüfen Sie, ob Tastatur- und Mauskabel vertauscht (überkreuzt) wurden.
- Überprüfen Sie die Kabelanschlüsse.

Das Bild ist verschwommen oder Geisterbilder bzw. Schatten werden angezeigt.

- Überprüfen Sie, ob alle Bildschirmkabel ordnungsgemäß mit dem Kabelsatz verbunden sind.
- Überprüfen Sie, ob der verwendete Bildschirm die Auflösung und Aktualisierungsrate unterstützt, die auf Ihrem Computer eingestellt wurde.
- Stellen Sie für den Bildschirm eine niedrigere Bildschirmauflösung ein.
- Überprüfen Sie, ob die Kabellänge 7,5 m nicht überschreitet.
- Überprüfen Sie, ob die verwendete Grafikkarte die Auflösung und Aktualisierungsrate unterstützt, die auf Ihrem Computer eingestellt wurde.
- Schließen Sie den Bildschirm direkt an den betreffenden Computer an, und überprüfen Sie, ob das Problem weiterhin auftritt.

Der Bildschirm bleibt dunkel.

- Überprüfen Sie, ob alle Bildschirmkabel ordnungsgemäß angeschlossen wurden.
- Überprüfen Sie, ob das Tastaturkabel korrekt an den Computer und an die entsprechende KVM-Schnittstelle angeschlossen ist.
- Bewegen Sie die Maus und überprüfen Sie, ob Sie sich als Benutzer anmelden müssen.
- Schließen Sie den Bildschirm direkt an den Computer an, und überprüfen Sie, ob der Bildschirm ordnungsgemäß funktioniert.

Der Computer erkennt die Tastatur nicht und es wird beim Systemstart ein Tastaturfehler gemeldet.

- Überprüfen Sie, ob das Tastaturkabel am KVM-Switch korrekt an den Computer angeschlossen ist. Befestigen Sie lose Verbindungen.
- Wenn Sie die Tastatursoftware verwenden, die Sie mit der Tastatur erhalten haben, deinstallieren Sie diese und installieren Sie dann einen Standard-Tastatortreiber von Microsoft.

1

2

3

4

5

6

7

8

Wenn ich zu einer anderen Schnittstelle umschalte, wird die Maus nicht mehr erkannt.

- Überprüfen Sie, ob die verwendete Maus ordnungsgemäß an die Konsolenschnittstelle des KVM-Switches angeschlossen wurde.
- Befestigen Sie lose Verbindungen.
- Wenn Sie den Maustreiber verwenden, den Sie mit der Maus erhalten haben, deinstallieren Sie diesen und installieren Sie dann einen Standard-Maustreiber von Microsoft.
- Überprüfen Sie, ob die Maus funktioniert, wenn Sie sie direkt an den Computer anschließen.
- Wenn der Computer aus dem Standby-Modus in den Betrieb schaltet, warten Sie ab, ob die Maus nach einer Minute wieder funktioniert.
- Deaktivieren Sie die Energiesparmodi der Computer, an denen die Probleme auftreten.
- Wenn Sie im laufenden Betrieb Geräte in Ihrer KVM-Konfiguration angeschlossen oder ausgetauscht haben, schalten Sie alle angeschlossenen Computer aus. Installieren Sie den KVM-Switch danach erneut, wie auf den Seiten 8-10 in diesem Benutzerhandbuch beschrieben wird.
- Probieren Sie eine andere Maus aus.

Die Maus wird beim Systemstart nicht erkannt.

- Überprüfen Sie die Kabel, und stellen Sie sicher, dass sie richtig angeschlossen sind.

Die Rechner fahren ganz normal hoch, aber die Maus funktioniert nicht.

- Überprüfen Sie, ob die Maus richtig angeschlossen ist.
- Stellen Sie sicher, dass die Maus funktioniert, wenn Sie direkt an den Computer angeschlossen ist. Hierzu müssen Sie möglicherweise einen Neustart durchführen.
- Probieren Sie eine andere Maus aus.
- Versuchen Sie, den Computer, an dem Probleme auftreten, hochzufahren, wenn die entsprechende Schnittstelle ausgewählt ist, und warten Sie, bis das Betriebssystem hochgefahren ist, bevor Sie zu einem anderen Computer umschalten.

Der Rechner fährt ordnungsgemäß hoch, aber die Maus funktioniert nicht.

- Wenn Sie im laufenden Betrieb Geräte in Ihrer KVM-Konfiguration angeschlossen oder ausgetauscht haben, schalten Sie alle angeschlossenen Computer aus. Installieren Sie den KVM-Switch danach erneut, wie auf den Seiten 8-10 in diesem Benutzerhandbuch beschrieben wird.
- Stellen Sie sicher, dass nicht mehr als ein Maustreiber installiert ist. Stellen Sie sicher, dass der Treiber entweder für eine Standard-PS/2 oder USB-Maus oder eine PS/2-Maus, die mit Microsoft kompatibel ist, geeignet ist.
- Stellen Sie sicher, dass in den Dateien „config.sys“ und „autoexec.bat“ keine Maustreiber geladen sind.
- Beim Umschalten zwischen den Schnittstellen des KVM-Switches darf die Maus nicht bewegt oder betätigt werden.
- Versuchen Sie, den Computer, an dem Probleme auftreten, hochzufahren, wenn die entsprechende Schnittstelle ausgewählt ist, und warten Sie, bis das Betriebssystem

hochgefahren ist, bevor Sie zu einem anderen Computer umschalten

1

3Für das Handbuch gelten die folgenden Begriffsdefinitionen:

2

AutoScan: Betriebsmodus, bei dem der KVM-Switch die Schnittstellen ständig nacheinander abfragt, wie vom Benutzer vorgegeben.

3

Konsole: Besteht aus einer Tastatur, einem Bildschirm und einer Maus, die an den KVM-Switch angeschlossen sind.

4

Konsolenschnittstelle: Anschlüsse zum Verbinden der Konsole mit dem KVM-Switch.

5

Kontrolle: Beim Umschalten zwischen mehreren Schnittstellen bedeutet Kontrolle, dass die Konsole Eingabedaten an den Computer senden kann. Hierzu benötigt die Konsole Fokus auf die Schnittstelle und die Schnittstelle muss angezeigt werden.

6

7

KVM:Wörtlich „Keyboard Video Mouse“ (Tastatur Bildschirm Maus), bezeichnet dieser Begriff eine Technologie, mit der einer oder viele Computer über eine Tastatur, einen Bildschirm und eine Maus gesteuert werden können; einige Switches, die mit KVM-Technologie arbeiten, ermöglichen auch die gemeinsame Nutzung anderer Peripheriegeräte wie Lautsprecher, Mikrofone oder Drucker.

8

KVM-Switch:Ein Gerät, mit dem der Zugriff auf und die Kontrolle über mehrere Computer von einer Konsole aus ermöglicht wird. Es verfügt über mindestens eine Konsolen- und mehrere Computer-Schnittstellen.

Schnittstelle/Port: Anschluss an einem Computer für ein Gerät oder ein Geräte Kabel.

FCC-Erklärung

ERKLÄRUNG DER KONFORMITÄT MIT DEN VORSCHRIFTEN FÜR DIE ELEKTROMAGNETISCHE VERTRÄGLICHKEIT

Wir, Belkin International, Inc., 501 West Walnut Street, Compton, CA 90220, USA, erklären hiermit alleinverantwortlich, dass die Artikel:

F1DB102P2, F1DB104P2

auf die sich diese Erklärung bezieht, in Einklang mit Teil 15 der FCC-Regelungen stehen. Der Betrieb unterliegt den beiden folgenden Bedingungen:

- (1) Dieses Gerät verursacht keine schädlichen Interferenzen, und
- (2) Dieses Gerät muss jedwede Störung annehmen, einschließlich der Störungen, die einen unerwünschten Betrieb verursachen könnten.

CE-Konformitätserklärung

Wir, Belkin International, Inc., erklären hiermit in alleiniger Verantwortung, dass die Artikel F1DB102P2, F1DB104P2, auf die sich diese Erklärung bezieht, in Einklang mit der Fachgrundnorm Störaussendung EN55022 und der Fachgrundnorm Störfestigkeit EN55024 sowie LVP EN61000-3-2 und EN61000-3-3 steht.

ICES-Erklärung

Dieses Digitalgerät der Klasse B entspricht der kanadischen Richtlinie ICES-003. Cet appareil numérique de la classe B est conforme à la norme NMB-003 du Canada.

Zwei Jahre beschränkte Herstellergarantie von Belkin International, Inc. Garantieleistung.

Belkin International, Inc. („Belkin“) garantiert dem ursprünglichen Käufer dieses Belkin-Produkts, dass dieses Produkt frei von Material-, Verarbeitungs-, und Konstruktionsfehlern ist.

Garantiedauer.

Belkin gewährt für dieses Belkin-Produkt eine zweijährige Garantie.

Problembeseitigung.

Herstellergarantie.

Belkin wird das Produkt nach eigenem Ermessen entweder kostenlos (abgesehen von den Versandkosten) reparieren oder austauschen.

Garantieausschluss.

Alle oben genannten Garantien verlieren ihre Gültigkeit, wenn das Belkin-Produkt Belkin auf Anfrage nicht auf Kosten des Käufers zur Überprüfung zur Verfügung gestellt wird oder wenn Belkin feststellt, dass das Belkin-Produkt nicht ordnungsgemäß installiert worden ist, und dass unerlaubte Änderungen daran vorgenommen worden sind. Die Herstellergarantie von Belkin gilt nicht für (Natur)gewalten wie Überschwemmungen, Erdbeben und Blitzschlag sowie Krieg, Vandalismus, Diebstahl, normalen Verschleiß, Erosion, Wertminderung, Veralterung, schlechte Behandlung, Beschädigung durch Störungen aufgrund von Unterspannung

(z. B. Spannungsabfall oder -Senkung) oder nicht erlaubte Programm- oder Systemänderungen.

Service.

Um Unterstützung von Belkin zu bekommen, gehen Sie nach folgenden Schritten vor:

1. Wenden Sie sich schriftlich an Belkin International, Inc., 501 W. Walnut St., Compton CA 90220, Attn: Customer Service oder wenden Sie sich innerhalb von 15 Tagen nach dem Vorfall telefonisch unter (800)-223-5546 an Belkin. Halten Sie die folgenden Informationen bereit:
 - a. Die Artikelnummer des Belkin-Produkts.
 - b. Wo Sie das Produkt erworben haben.
 - c. Das Kaufdatum.
 - d. Kopie der Originalquittung.
2. Der/die Kundendienstmitarbeiter/in von Belkin erläutert Ihnen dann, wie Sie den Kaufbeleg und das Belkin-Produkt verschicken können und wie in Ihrem Fall verfahren wird.

Belkin behält sich vor, das beschädigte Belkin-Produkt zu überprüfen. Alle Kosten, die beim Versand des Belkin-Produkts an Belkin zum Zweck der Überprüfung entstehen, sind vollständig durch den Käufer zu tragen. Wenn Belkin nach eigenem Ermessen entscheidet, dass es nicht angebracht ist, das beschädigte Gerät an die Belkin zu schicken, kann Belkin nach eigenem Ermessen eine Reparaturstelle damit beauftragen, das Gerät zu überprüfen und einen Kostenvoranschlag für die Reparaturkosten des Gerätes zu machen. Die Kosten für den Versand zu einer solchen Reparaturstelle und die eventuellen Kosten für einen Kostenvoranschlag gehen vollständig zu Lasten des Käufers. Beschädigte Geräte müssen zur Überprüfung zur Verfügung stehen, bis das Reklamationsverfahren abgeschlossen ist. Wenn Ansprüche beglichen werden, behält sich Belkin das Recht vor, Ersatzansprüche an eine bestehende Versicherung des Käufers zu übertragen.

Garantiegesetz.

DIESE GARANTIE BILDET DIE ALLEINIGE GARANTIE VON BELKIN. ES GIBT KEINE ANDERE GARANTIE, EXPLIZIT ERWÄHNT ODER IMPLIZIT, AUSSER WENN DIES VOM GESETZ VORGESCHRIEBEN IST, EINSCHLIESSLICH DER IMPLIZITEN GARANTIE ODER DES QUALITÄTSZUSTANDS, DER ALLGEMEINEN GEBRAUCHSTAUGLICHKEIT ODER EIGNUNG FÜR EINEN BESTIMMTEN ZWECK, UND SOLCHE IMPLIZITEN GARANTIEN, WENN ES SOLCHE GIBT, BEZIEHEN SICH AUSSCHLIESSLICH AUF DIE DAUER, DIE IN DIESER GARANTIE ZUGRUNDE GELEGT WIRD.

In manchen Ländern sind Einschränkungen bezüglich der Dauer der Garantie nicht zulässig. Die oben erwähnten Einschränkungen treffen für Sie dementsprechend nicht zu.

UNTER KEINEN UMSTÄNDEN HAFTET BELKIN FÜR ZUFÄLLIGEN, BESONDEREN, DIREKTEN, INDIRECTEN, MEHRFACHEN SCHADEN ODER FOLGESCHÄDEN WIE, ABER NICHT AUSSCHLIESSLICH, ENTGANGENES GESCHÄFT ODER PROFITE, DIE IHNEN DURCH DEN VERKAUF ODER DIE BENUTZUNG VON EINEM BELKIN-PRODUKT ENTGANGEN SIND, AUCH WENN SIE AUF DIE MÖGLICHKEIT SOLCHER SCHÄDEN AUFMERKSAM GEMACHT WORDEN SIND.

Diese Garantie räumt Ihnen spezifische Rechte ein, die von Land zu Land unterschiedlich ausgestaltet sein können. Da in manchen Ländern der Ausschluss oder die Beschränkung der Haftung für durch Zufall eingetretene oder Folgeschäden nicht zulässig ist, haben die vorstehenden Beschränkungen und Ausschlussregelungen für Sie möglicherweise keine Gültigkeit.

1

2

3

4

5

6

7

8

BELKIN®

www.belkin.com

Belkin Technischer Support

GB: 0845 607 77 87

Europa: www.belkin.com/support

Belkin Ltd.

Express Business Park
Shipton Way, Rushden
NN10 6GL, Großbritannien
+44 (0) 1933 35 2000
+44 (0) 1933 31 2000 Fax

Belkin SAS

130 rue de Sully
92100 Boulogne Billancourt
Frankreich
+33 (0) 1 41 03 14 40
+33 (0) 1 41 31 01 72 Fax

Belkin B.V.

Boeing Avenue 333
1119 PH Schiphol-Rijk
Niederlande
+31 (0) 20 654 73 00
+31 (0) 20 654 73 49 Fax

Belkin Iberia

Avda. Cerro del Aguila 3
28700 San Sebastián de los Reyes
Spanien
+34 91 625 80 00
+34 902 02 00 34 Fax

Belkin GmbH

Hanebergstraße 2
80637 München
Deutschland
+49 (0) 89 14 34 05 0
+49 (0) 89 14 34 05 100 Fax

Belkin Schweden

Knarramäsgatan 7
164 40 Kista
Schweden
+46 (0) 8 5229 1870
+46 (0) 8 5229 1874 Fax

BELKIN®

OmniView® E-Serie KVM-switch



EN

FR

DE

NL

ES

IT

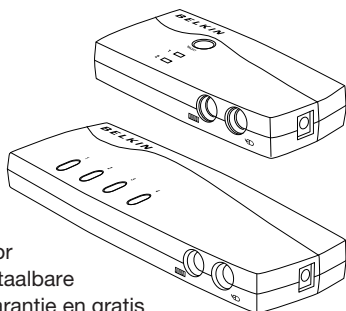
Handleiding

F1DB102P2ea
F1DB104P2ea
F1DB102P2eaB
F1DB104P2eaB

Inhoud

| | |
|--|-----------|
| 1. Inleiding | 1 |
| Inhoud van de verpakking | 1 |
| 2. Overzicht | 2 |
| Productkenmerken | 2 |
| Benodigde uitrusting | 3 |
| Systeemvereisten | 4 |
| De switch in beeld gebracht | 5 |
| Technische gegevens | 6 |
| 3. Installeren | 7 |
| Voorconfigureren | 7 |
| Installatie-instructies | 7 |
| De systemen inschakelen | 10 |
| 4. Gebruik maken van uw KVM-switch uit de E-Serie | 11 |
| Een computer selecteren met behulp van een poortkeuzeknop .. | 11 |
| Een computer selecteren via sneltoetscommandos | 11 |
| LED-display | 12 |
| AutoScan-modus | 12 |
| Overzicht sneltoetscommandos | 13 |
| 5. Veelgestelde vragen | 14 |
| 6. Problemen oplossen | 15 |
| 7. Verklarende woordenlijst | 17 |
| 8. Informatie | 18 |

Gefeliciteerd met de aankoop van de OmniView KVM-switch van Belkin (de KVM-switch). Ons gevarieerde programma KVM-oplossingen illustreert onze inzet om duurzame producten van hoge kwaliteit te leveren voor een aantrekkelijke prijs. Met de KVM-switches van Belkin kunt u meerdere computers vanaf één console besturen. Ze zijn leverbaar in een groot aantal uitvoeringen, zowel voor kleine als voor zeer grote configuraties. Deze compacte, betaalbare KVM-switch wordt geleverd met twee jaar garantie en gratis technische ondersteuning.



1

2

3

4

5

6

7

8

Deze handleiding geeft u alle informatie over uw nieuwe KVM-switch uit de E-Serie, te beginnen met de installatie en de bediening tot en met het oplossen van problemen – in het onwaarschijnlijke geval dat deze zich voordoen.

Hartelijk dank voor het kopen van de OmniView KVM-switch uit de E-Serie van Belkin. Wij stellen uw vertrouwen in onze producten zeer op prijs. Ongetwijfeld begrijpt u al snel waarom Belkin wereldwijd het best verkochte merk op het gebied van KVM-switches is.

Inhoud van de verpakking



OmniView E-serie KVM-switch



Handleiding



**2 KVM-kabelsets
(geldt uitsluitend voor
F1DB102P2eaB)**



**4 KVM-kabelsets
(geldt uitsluitend voor
F1DB104P2eaB)**

Productkenmerken

- Sneltoetsfunctionaliteit

Deze functie stelt u in staat de gewenste poorten met specifieke toetscombinaties te kiezen. Bestuur tot wel vier computers, afhankelijk van uw KVM-switch, via uw toetsenbord met een eenvoudige sneltoetscombinaties. Op pagina 13 van de handleiding vindt u meer informatie betreffende het gebruik van sneltoetscommandos.

- AutoScan

Met de AutoScan-functie kunt u automatisch de activiteiten van alle aangesloten computers een voor een scannen en monitoren.

- Videoresolutie

De KVM-switch ondersteunt videoresoluties tot 1920x1440 bij 75 Hz.

- Drukknoppen op het frontpaneel

De drukknoop op het frontpaneel van de KVM-switch stellen u in staat de op eenvoudige wijze de gewenste poort handmatig te selecteren.

- LED-display

Het LED-display op het frontpaneel van de KVM-switch fungeert als statusmonitor. Wanneer de console een bepaalde computer bestuurt, brandt er op de KVM-switch een lampje dat met deze computer correspondeert.

Benodigde uitrusting

Kabels:

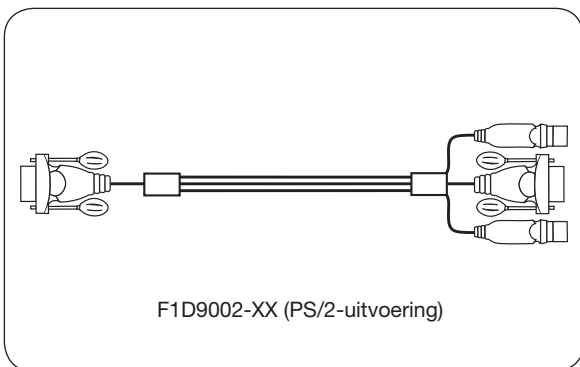
Voor het aansluiten van de KVM-switch uit de E-Serie van Belkin dient u gebruik te maken van een KVM-kabelset van Belkin.

Kabelsets voor de E-Serie van Belkin:

F1D9002-XX (PS/2-uitvoering)

F1D9002-XX (PS/2-uitvoering)

(-XX is de lengte in voet)



1

2

3

4

5

6

7

8

Stelsysteemvereisten

Besturingssysteemplatformen

De KVM-switch is o.a. compatibel met CPUs die gebruik maken van de volgende besturingssystemen:

- Windows® NT®, 2000, XP, Server 2003 en Vista™
- Microsoft® DOS 5.x en hoger
- Red Hat® Linux® 8.x en hoger
- Novell® NetWare® 5.x

Toetsenborden

- Compatibel met PS/2
- Ondersteunt toetsenborden met standaard 101/102/104/106-toetsindeling.

Muizen

- Met PS/2 compatibele muizen met 2, 3, 4 of 5 knoppen
- Met PS/2 compatible draadloze en optische muizen

Monitoren

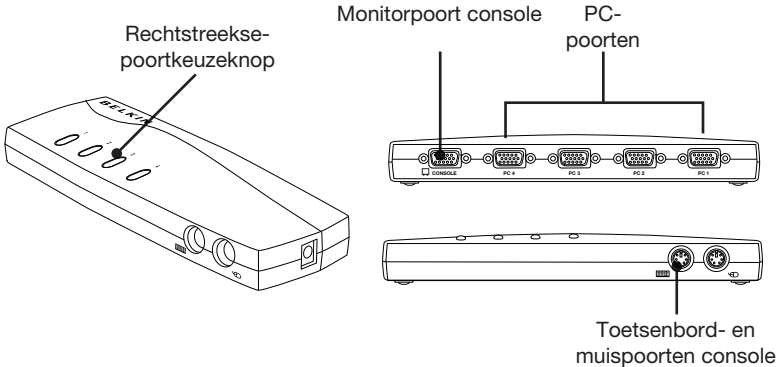
- CRT
- LCD (met VGA-ondersteuning)

Voedingsadapter (optioneel)

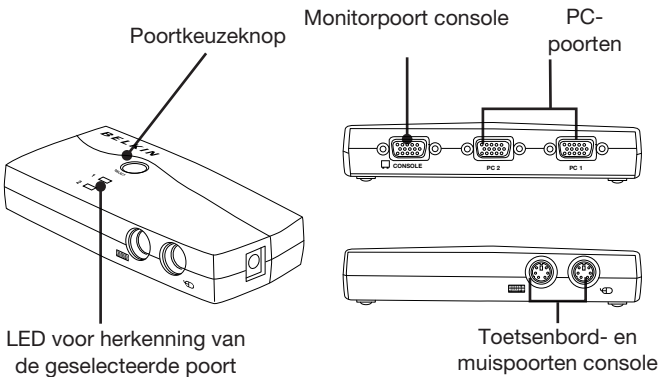
Er is een optionele 9V/600mA-voedingsadapter verkrijgbaar (Belkin-artikelnummer F1D084-PWR-EUR (met Schuko-stekker) en F1D084-PWR-EUR (met UK-stekker)). Gebruik van een voedingsadapter is slechts nodig in het uitzonderlijke geval dat de aangesloten computer niet in staat is de KVM-switch van de benodigde voeding te voorzien.

De switch in beeld gebracht

Voor/achteraanzicht van de 4-poorts KVM-switch uit de E-Serie:



Voor/achteraanzicht van de 2-poorts KVM-switch uit de E-Serie:



1

2

3

4

5

6

7

8

Technische gegevens

| | |
|---------------------------------------|---|
| Artikelnummer: | F1DB102P2, F1DB104P2 |
| Behuizing: | Slagvaste kunststof |
| Voeding: | Via PS/2-toetsenbordpoort of via de optionele 9V/600mA-voedingsadapter (polariteit middenpool positief) |
| Aantal ondersteunde computers: | 2 en 4, respectievelijk voor 2- en 4-poorts-uitvoeringen |
| Ondersteunde monitortypen: | CRT en LCD (met VGA-ondersteuning) |
| Maximale resolutie: | Tot 1920x1440 bij 75 Hz |
| Toetsenbordingang: | PS/2 (miniDIN6) |
| Muisingang: | PS/2 (miniDIN6) |
| Monitorpoort: | VGA (HDDB15 female) |
| PC-poorten: | HDDB15 female |
| Gebruikstemperatuur: | 0~40 °C |
| Opslagtemperatuur: | -20~60 °C |
| Vochtigheidsgraad: | 0-80% relatief, niet-condenserend |
| Garantie: | 2 jaar |
| Afmetingen: | (F1DB102P2) 5.2 x 2.5 x 1 in (F1DB104P2) 8.5 x 3.2 x 1 in. |
| Gewicht: | (F1DB102P2) 7.2oz (F1DB104P2) 4.2oz. |

Opmerking: Er wordt een voorbehoud gemaakt voor wijzigingen van deze gegevens zonder voorafgaande waarschuwing.

Voorconfigureren

De beste plaats voor uw KVM-switch:

De OmniView KVM-Switch (E-Serie) is bedoeld voor plaatsing op uw bureau. De exacte plaats zal afhankelijk zijn van de locatie van uw computers en de lengte van uw kabels.

Wij raden u aan bij het bepalen van een plaats voor de KVM-switch rekening te houden met het volgende:

- of u de knoppen voor rechtstreekse-poortkeuze wel of niet gaat gebruiken;
- de lengte van de kabels die op het toetsenbord, de monitor en de muis zijn aangesloten
- de plaats van de computers ten opzichte van uw console;
- de lengte van de kabels die u gebruikt om uw computers aan te sluiten op de KVM-switch.

Toegelaten kabelafstand:

Voor PS/2-computers:

VGA-signalen worden het beste verstuurd bij een kabellengte van tot 7,6 meter. Bij grotere afstanden neemt de kans op achteruitgang van de beeldkwaliteit toe. Daarom raden wij u aan de lengte van de kabels tussen de KVM-switch en de aangesloten computers te beperken tot maximaal 7,6 meter

Opmerking: Met de OmniView CAT5-extender van Belkin (artikelnummer F1D084vea2) kunt u de afstand tot de console (toetsenbord, muis en monitor) vergroten tot 91 meter.

Praktische waarschuwingen

Leg kabels niet in de buurt van fluorescentielampen, airco-apparatuur of machines die elektrische ruis veroorzaken (zoals stofzuigers).

Installatie-instructies

U kunt nu beginnen met de installatie van de KVM-switch. De volgende hoofdstukken (pagina 8-10) geven een compleet overzicht van de hardware-installatie.

Zorg er voor dat uw hele installatie is uitgeschakeld voordat u kabels/apparaten op de KVM-switch of uw computers aansluit. Als uw computer aan staat kan het loskoppelen of aansluiten van kabels onherstelbare schade veroorzaken aan deze computer en/of de KVM-switch. Belkin is niet verantwoordelijk voor de schade die hiervan het gevolg is.

1

2

3

4

5

6

7

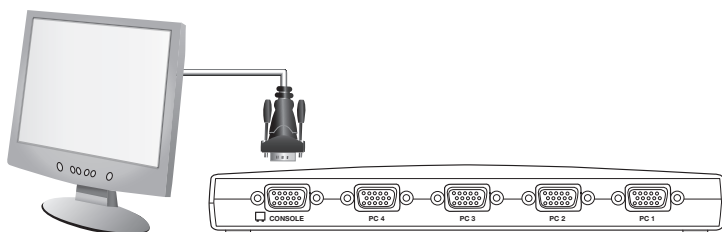
8

Toetsenbord, monitor en muis aansluiten

De console aansluiten

Stap 1

Sluit de monitor aan de op KVM-switch. Sluit de kabel van uw monitor aan op de female HDDB15-poort, aangeduid met "Console", op de achterkant van de KVM-switch. (Zie onderstaande afbeelding.)

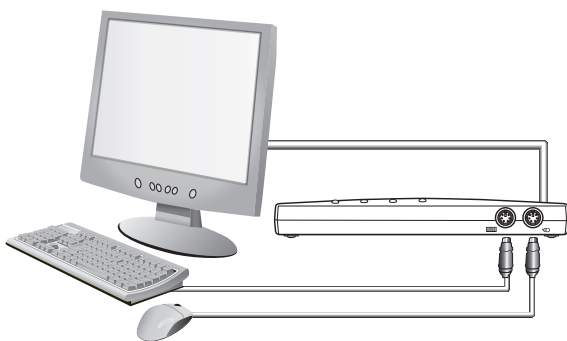


Stap 2

Sluit het PS/2-toetsenbord aan op de PAARSE toetsenbordpoort aan de voorkant van de KVM-switch. (Zie onderstaande afbeelding.)

Stap 3

Sluit de PS/2-muis aan op de GROENE muispoort aan de voorkant van de KVM-switch. (Zie onderstaande afbeelding.)



U mag nu computers aan gaan sluiten.

Computers aansluiten op de KVM-switch

1

Stap 1

Zorg er voor dat uw computer is uitgeschakeld.

2

Stap 2

Sluit de VGA-connector van de PS/2-kabelset voor de E-Serie (artikelnummer F1D9400-XX) aan op de monitorpoort van uw computer. (Zie onderstaande afbeelding.)

3

Stap 3

Sluit de PS/2-muis- en het PS/2-toetsenbordconnectors aan op de muis- en toetsenbordpoorten van de computer. (Zie onderstaande afbeelding.)

4

Stap 4

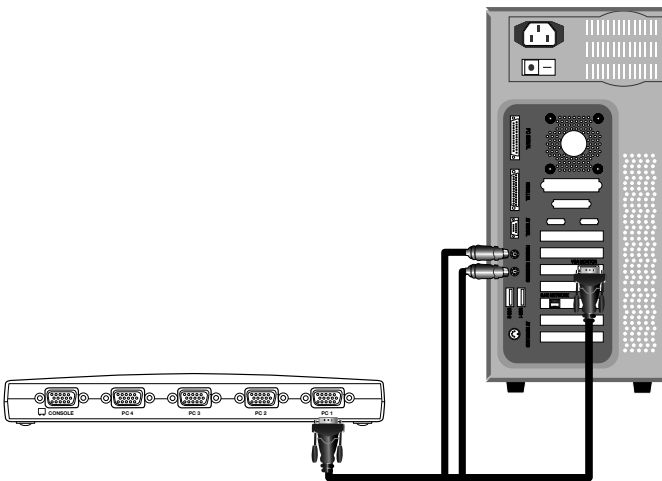
Sluit de PS/2-kabelset aan op de gewenste PC-poort aan de achterkant van de KVM-switch. (Zie onderstaande afbeelding.)

5

6

7

8



Stap 5

Zet de computer aan.

Stap 6

Herhaal stap 1 tot en met 5 voor elke volgende PS/2-computer die u op de switch wilt aansluiten.

De systemen inschakelen

Controleer of alle computers die op de KVM-switch zijn aangesloten, ingeschakeld zijn. Als er computers zijn aangesloten die nog niet zijn ingeschakeld, dan mag u deze nu inschakelen (computers mogen tegelijkertijd worden ingeschakeld). De KVM-switch emuleert op elke poort zowel een muis als een toetsenbord en stelt zo uw computer in staat normaal op te starten. Uw KVM-switch is nu klaar voor gebruik.

De op poort 1 aangesloten computer wordt op de monitor getoond. Controleer of het toetsenbord, de monitor en de muis normaal functioneren. Controleer alle gebruikte poorten om er zeker van te zijn dat alle computers zijn aangesloten en correct reageren. Als er een fout optreedt, controleer dan de kabelverbindingen van de betreffende computer en start deze opnieuw. Als u het probleem daarmee niet kunt oplossen, zie dan het hoofdstuk “Problemen oplossen” in deze handleiding.

Een computer selecteren met behulp van een poortkeuzeknop

U kunt rechtstreeks een aangesloten computer selecteren door de poortkeuzeknop in te drukken of door gebruik te maken van een sneltoetscommando. De LED naast het nummer dat aangeeft welke poort geselecteerd is, zal gaan branden. Het videosignaal heeft een tot twee seconden nodig om te verversen als u naar een andere computer hebt overgeschakeld. Ook kan een hersynchronisatie van de muis- en toetsenbordsignalen optreden. Dit valt onder de normale werking en zorgt voor de juiste synchronisatie tussen de console en de aangesloten computers.

Een computer selecteren via sneltoetscommandos

U kunt naar de volgende of de voorgaande poort overschakelen via eenvoudige toetsencombinaties door eerst de toets "ScrollLock" en daarna de pijltoetsen "Omhoog" of "Omlaag" in te drukken. Als u een sneltoetscommando naar uw KVM-switch wilt sturen, dient u eerst binnen twee seconden twee maal op de "Scroll Lock"-toets te drukken. De KVM-switch geeft nu een piepsignaal als bevestiging dat de sneltoetsmodus ingeschakeld is. Als u nu op de pijltoets "Omhoog" drukt, schakelt de KVM-switch over naar de vorige actieve poort. Druk op de pijltoets "Omlaag" om naar de volgende actieve poort over te schakelen.

U kunt ook rechtstreeks naar een poort overschakelen door het nummer in te voeren van de poort die u wilt gebruiken. Typt u bijvoorbeeld de combinatie "ScrollLock", "ScrollLock", "2" in, dan schakelt de KVM-switch over naar de computer die is aangesloten op poort 2.



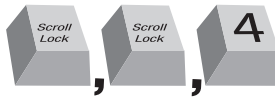
Switch to previous active port, [UP] arrow



Switch to Port 2 [2], #2 key



Switch to next active port, [DOWN] arrow.



Switch to Port 4 [4], #4 key

Opmerking: Een volledig sneltoetscommando moet binnen ongeveer drie seconden worden ingegeven.

1

2

3

4

5

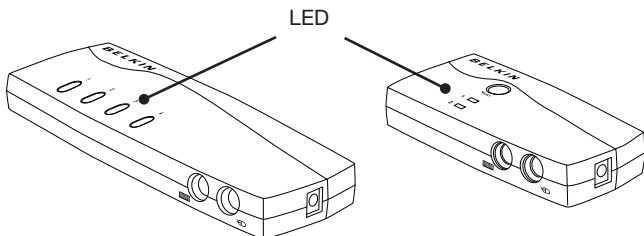
6

7

8

Een computer selecteren met behulp van de poortkeuzeknoppen

U kunt meteen de gewenste computer selecteren door op de rechtstreekse-poortkeuzeknop te drukken die correspondeert met deze computer. De bijbehorende LED gaat branden ten teken dat de poort is geselecteerd.



LED-display

Het LED-display op het frontpaneel van de KVM-switch fungeert als statusmonitor. Wanneer de console een bepaalde computer bestuurt, brandt er op de KVM-switch een lampje dat met deze computer correspondeert. Als u een poortkeuzeknop indrukt, licht de LED ernaast op. Een knipperende LED wil zeggen dat er geen computer op de betreffende poort is aangesloten of dat de computer die erop is aangesloten, is uitgeschakeld. De LED zal ook knipperen als de KVM-switch in AutoScan-modus staat.

Opmerking: Bij sommige computers die de PS/2-toetsenbordpoort van stroom blijven voorzien, zal de poort-LED blijven branden, zelfs als ze uitgeschakeld zijn.

AutoScan-modus

In de AutoScan-modus blijft de KVM-switch vijf seconden op een actieve poort staan voordat hij naar de volgende actieve poort overschakelt. Dit tijdsinterval kan niet worden gewijzigd.

Om de AutoScan-functie te activeren, drukt u op het toetsenbord de toetsen “Scroll Lock”, “Scroll Lock” en “0” in.

De AutoScan-functie kan worden uitgeschakeld door het indrukken van een willekeurige knop op het frontpaneel of een toets op het toetsenbord.

Opmerking: In de AutoScan-modus kunt u de muis of het toetsenbord niet gebruiken. Dit is een voorzorgsmaatregel die data- en synchronisatiefouten helpt voorkomen. Als de gebruiker de muis of het toetsenbord gebruikt wanneer de KVM-switch van de ene naar de andere poort overschakelt, kan de gegevensstroom worden onderbroken. Dit kan weer resulteren in foutieve muisbewegingen en/of de invoer van verkeerde tekens wanneer u het toetsenbord gebruikt.

Overzicht sneltoetscommandos

Onderstaande tabel geeft een overzicht van de sneltoetscommandos die gebruikt kunnen worden voor de KVM-switch.

Opmerking: Elk commando moet voorafgegaan worden door “Scroll Lock”, “Scroll Lock”.

| Commando | Functie |
|-----------|---|
| ↑ | Vorige actieve computer |
| ↓ | Volgende actieve computer |
| [1,2,3,4] | Overschakelen naar poort “x” (1, 2, 3, 4) |
| A | Activeert de AutoScan-functie |
| S | Geluidssignaal aan/uit |

Opmerking: Voor het ingeven van een sneltoetscommando hebt u ongeveer drie seconden de tijd.

V: Welke besturingssystemen worden door de KVM-switch ondersteund?

A: Deze KVM-switch uit de E-Serie van Belkin ondersteunt alle besturingssystemen die op een PS/2-platform draaien. Als besturingssystemen komen ondermeer in aanmerking: DOS; Windows 2000, NT, XP, Server 2003, Vista en Linux.

V: Kan ik aan de host-kant USB-computers aansluiten?

A: Nee, deze KVM-switch uit de E-Serie ondersteunt uitsluitende PS/2-computers.

V: Wat is de maximaal toegestane afstand tussen een computer en de KVM-switch?

A: De KVM-switch kan tot op een afstand van 25 feet van uw PS/2-computer worden geplaatst.

V: Wat is de hoogste videoresolutie die de KVM-switch ondersteunt?

A: De geavanceerde videoverwerkingseenheid van de KVM-switch ondersteunt een maximum resolutie van 1920x1440 bij 75 Hz.

V: Moet ik nog software installeren om de KVM-switch te kunnen gebruiken?

A: Nee, voor het gebruik van de KVM-switch hoeft u geen stuurprogramma's of

1

2

3

4

5

6

7

8

Veelgestelde vragen

andere software op uw computers te installeren. U verbindt eenvoudigweg alle computers met de KVM-kabelsets van Belkin. Vervolgens sluit u een toetsenbord, monitor en muis aan op de console en uw KVM-switch is klaar voor gebruik.

V: Heeft de KVM-switch een netvoedingsadapter nodig?

A: Nee, de KVM-switch kan in de meeste gevallen zonder externe voedingsadapter gebruikt worden.

V: Kan ik de KVM-switch uit de E-Serie gebruiken om alleen van videosignaal te wisselen?

A: Nee, u moet de KVM-switch zowel op de videopoorten aansluiten als op de toetsenbord/muispoorten van de computers. Om te kunnen functioneren moet de KVM-switch de voeding van de PS/2-poorten van de computers detecteren.

V: Wordt Linux door de KVM-switch ondersteund?

A: Ja, de KVM-switch werkt in combinatie met Red Hat- en andere Linux-producten die voor PS/2-ondersteuning zijn geconfigureerd.

V: Hoe lang heb ik garantie op de KVM-switch?

A: De KVM-switch wordt geleverd met twee jaar beperkte garantie.

Mijn computer start niet op wanneer deze op de KVM-switch is aangesloten maar functioneert feilloos als ik het toetsenbord, de monitor en de muis rechtstreeks op de computer aansluit.

- Controleer of de toetsenbord- en muiskabels stevig tussen de KVM-switch en de computer zijn aangesloten.
- Controleer of de toetsenbord- en muiskabels bij het aansluiten op de poorten niet verwisseld zijn.
- Controleer de kabelverbindingen.

Op mijn beeldscherm krijg ik nalichten, schaduwen of vage beelden te zien.

- Controleer of alle videokabels op de juiste wijze op de kabelset zijn aangesloten.
- Controleer of de door u gebruikte monitor de resolutie en de op uw computer ingestelde herhalingsfrequentie ondersteunt.
- Verlaag de videoresolutie van uw monitor.
- Controleer de lengte van de gebruikte kabels. Deze mogen niet langer dan 8,25 m zijn.
- Controleer ook of de gebruikte grafische kaart de resolutie en de ingestelde herhalingsfrequentie van de computer ondersteunt.
- Sluit de monitor rechtstreeks aan op de computer die problemen geeft om te kijken of het probleem blijft bestaan.

Op mijn monitor krijg ik een zwart scherm.

- Controleer of alle videokabels goed zijn aangesloten.
- Controleer of de toetsenbordkabel op de juiste wijze is aangesloten op de computer en de betreffende poort op de KVM-switch.
- Verplaats de muis en kijk of het nodig is als gebruiker in te loggen.
- Sluit uw monitor rechtstreeks op de computer aan om te controleren of uw monitor correct functioneert.

Bij het opstarten ziet de computer geen toetsenbord en krijg ik de melding dat er een toetsenbordfout is.

- Controleer of de toetsenbordkabel van de KVM-switch stevig op de computer is aangesloten.
- Als u de software gebruikt die bij het toetsenbord is geleverd, verwijder deze dan van de harde schijf en installeer het standaardstuurprogramma van Microsoft voor toetsenborden opnieuw.

1

2

3

4

5

6

7

8

De muisaanwijzer verdwijnt als ik overschakel naar een andere poort.

- Controleer of de muis die u gebruikt correct op de consolepoort van de KVM-switch is aangesloten.
- Zet eventuele losse kabelverbindingen vast.
- Als u de software gebruikt die bij de muis is geleverd, verwijder deze dan van de harde schijf en installeer het standaardstuurprogramma van Microsoft voor muizen.
- Controleer of de muis werkt als u deze rechtstreeks op de computer aansluit.
- Als de computer uit standby opstart, duurt het ongeveer een minuut totdat de muisfunctie hersteld is.
- Schakel het programma voor energiebeheer uit op de computer die problemen geeft.
- Indien u elementen van uw KVM-configuratie hebt vervangen, eventueel terwijl bepaalde apparaten nog aan stonden, raden wij u aan alle aangesloten computers uit te schakelen. Vervolgens herinstalleert u de KVM-switch volgens de instructies op pagina 8-10 van deze handleiding.
- Probeer een andere muis.

De muis wordt bij opstarten niet herkend.

- Controleer de kabels en zorg ervoor dat ze in de juiste poorten zijn bevestigd.

De computer start wel op maar de muis werkt niet.

- Controleer of de muis correct is aangesloten.
- Controleer of de muis werkt als u deze rechtstreeks op de computer aansluit. Het is mogelijk dat u hierbij de computer opnieuw moet opstarten.
- Probeer een andere muis.
- Herstart de probleemcomputer terwijl de poort is geselecteerd en wacht tot het besturingssysteem geladen is, voordat u naar een andere computer overschakelt.

De computer start wel op maar de muis werkt niet.

- Indien u elementen van uw KVM-configuratie hebt vervangen, eventueel terwijl bepaalde apparaten nog aan stonden, raden wij u aan alle aangesloten computers uit te schakelen. Vervolgens herinstalleert u de KVM-switch volgens de instructies op pagina 8-10 van deze handleiding.
- Zorg er voor dat er maar een muisstuurprogramma op uw computer is geïnstalleerd. Zorg er voor dat het gebruikte stuurprogramma ofwel voor een standaard PS/2- of USB-muis is of voor een PS/2-muis die compatible is met Microsoft.
- Zorg ervoor dat er in uw "CONFIG.SYS"- of "AUTOEXEC.BAT"-bestanden geen muisstuurprogramma's zijn geladen.
- Beweeg de muis niet en druk niet op muisknoppen als u op de KVM-switch van de ene naar de andere serverpoort overschakelt.
- Herstart de probleemcomputer terwijl de poort is geselecteerd en wacht tot het besturingssysteem geladen is, voordat u naar een andere computer overschakelt.

De volgende definities worden in deze handleiding gebruikt:

AutoScan: Modus waarin de KVM-switch continu de ene poort na de andere scant, zoals door de gebruiker geconfigureerd.

Console: Verzamelwoord voor toetsenbord, monitor en muis die aangesloten zijn op een KVM-switch.

Consolepoort: Aansluitingen voor de console voor verbinding met de KVM-switch.

Besturen: Als gesproken wordt over het schakelen tussen poorten, betekent besturen dat de console in staat is invoersignalen naar de computer te zenden. Besturing is mogelijk als de console zich richt op een specifieke poort en deze herkent.

KVM: Deze term, letterlijk “Keyboard Video Mouse” (Toetsenbord, Monitor, Muis), verwijst naar een technologie die het mogelijk maakt twee of meer computers (of servers) met één toetsenbord, monitor en muis te besturen. Sommige switches die KVM-technologie gebruiken, maken ook het delen van andere randapparatuur als luidsprekers, microfoons en printers mogelijk.

KVM-switch: Apparaat waarmee een gebruiker met behulp van één console meerdere computers kan besturen. Het heeft minstens één consolepoort en meerdere computerpoorten.

Poort: Interface-aansluiting op een computer waarop de gebruiker een apparaat of een verbindingskabel kan aansluiten.

1

2

3

4

5

6

7

8

FCC-verklaring

VERKLARING VAN OVEREENSTEMMING MET DE FCC-REGELGEVING VOOR ELEKTROMAGNETISCHE COMPATIBILITEIT

Wij, Belkin International, Inc., gevestigd 501 West Walnut Street, Compton, CA 90220, Verenigde Staten van Amerika, verklaren hierbij dat wij de volledige verantwoordelijkheid aanvaarden dat de producten met de artikelnummers

F1DB102P2, F1DB104P2

waarop deze verklaring van toepassing is, voldoen aan Deel 15 van de FCC-voorschriften. Het gebruik ervan is onderworpen aan de beide volgende voorwaarden:

- (1) deze apparaten mogen geen schadelijke stoorsignalen opwekken en
- (2) deze apparaten moeten alle ontvangen stoorsignalen accepteren, waaronder stoorsignalen die een ongewenste werking kunnen veroorzaken.

CE-conformiteitsverklaring

Wij, Belkin International, Inc., verklaren hierbij dat wij de volle verantwoordelijkheid aanvaarden dat de producten met de artikelnummers F1DB102P2 en F1DB104P2, waarop deze verklaring van toepassing is, voldoen aan de emissienorm EN55022 en aan de immunitieitsnormen EN55024, LVP EN61000-3-2 en EN61000-3-3.

ICES

Dit digitale apparaat van klasse B voldoet aan de Canadese normen van ICES-003. Cet appareil numérique de la classe B est conforme à la norme NMB-003 du Canada.

Twee jaar beperkte productgarantie van Belkin International, Inc.

Deze garantie dekt het volgende:

Belkin International, Inc. ("Belkin") garandeert de oorspronkelijke koper van dit Belkin-product dat het product vrij is van ontwerp-, assemblage-, materiaal- en fabricagefouten.

De geldigheidsduur van de dekking

Belkin biedt twee jaar garantie op dit Belkin product.

Hoe worden problemen opgelost?

Productgarantie

Belkin zal het product dat een defect vertoont naar eigen keus kosteloos (met uitzondering van verzendkosten) repareren of vervangen.

Wat valt buiten deze garantie?

Alle hierin versterkte garanties zijn niet van toepassing als het Belkin-product op verzoek van Belkin International, Inc. niet op kosten van de koper voor onderzoek aan Belkin International, Inc. ter beschikking is gesteld of als Belkin International,

Inc. constateert dat het Belkin-product verkeerd is geïnstalleerd, op enige wijze is veranderd of vervalst. De productgarantie van Belkin biedt geen bescherming tegen van buiten komend onheil zoals overstromingen, aardbevingen, blikseminslag, oorlogsmolest, vandalisme, diefstal, normale slijtage, afslijting, depletie, veroudering, misbruik, beschadiging door netspanningsdalingen (z.g. “brown-outs” en “sags”), ongeoorloofde programmering en/of wijziging van de systeemapparatuur.

Hoe wordt service verleend?

Om voor service voor uw Belkin-product in aanmerking te komen gaat u als volgt te werk:

1. Neem binnen 15 dagen na het voorval schriftelijk contact op met Belkin International, Inc., 501 W. Walnut St., Compton CA 90220, t.a.v.: of bel (800)-223-5546. Hou er rekening mee dat u de volgende gegevens moet kunnen verstrekken:
 - a. Het artikelnummer van het Belkin-product.
 - b. Waar u het product hebt gekocht.
 - c. Wanneer u het product hebt gekocht.
 - d. Het originele aankoopbewijs.
2. De medewerker/ster van de klantenservice van Belkin instrueert u vervolgens hoe u het aankoopbewijs en het product moet verzenden en hoe de claim verder wordt afgewikkeld.

Belkin International, Inc. behoudt zich het recht voor het defecte Belkin-product te onderzoeken. De kosten voor verzending van het Belkin-product naar Belkin komen volledig voor rekening van de koper. Als Belkin naar eigen bevinding tot de conclusie komt dat het onpraktisch is de beschadigde apparatuur naar Belkin te verzenden, kan Belkin naar eigen goeddunken een deskundige reparatie-inrichting aanwijzen en deze opdragen de betreffende apparatuur te inspecteren en de reparatiekosten ervan te begroten. De eventuele verzendkosten van het product naar de reparatie-inrichting en van de terugzending naar de koper en van de kostenbegroting komen geheel voor rekening van de koper. Het beschadigde product moet voor onderzoek beschikbaar blijven totdat de claim is afgehandeld. Belkin behoudt zich bij de vereffening van claims het recht voor tot in-de-plaatstreding bij alle geldige verzekeringspolissen waarover de koper van het product beschikt.

1

2

3

4

5

6

7

8

De garantie en de wet.

DEZE GARANTIE OMVAT DE ENIGE GARANTIE VAN BELKIN INTERNATIONAL, INC. ER ZIJN GEEN ANDERE GARANTIES, NADRUKKELIJK OF TENZIJ WETTELIJK BEPAALD IMPLICIET, MET INBEGRIIP VAN IMPLICIETE GARANTIES OF VOORZIENINGEN VAN KWALITEIT, VERHANDELBAARHEID OF GESCHIKTHEID VOOR EEN BEPAALD DOEL, EN ZULKE IMPLICIETE GARANTIES, MITS VAN TOEPASSING, ZIJN WAT HUN GELDIGHEID BETREFT TOT DE DUUR VAN DEZE GARANTIE BEPERKT.

In sommige staten of landen is het niet toegestaan de duur van impliciete garanties te beperken in welk geval de bovenstaande garantiebeperkingen wellicht niet voor u gelden.

ONDER TOEPASSELIJK RECHT IS BELKIN INTERNATIONAL, INC. NIET AANSPRAKELIJK VOOR INCIDENTELE, BIJZONDERE, DIRECTE, INDIRECTE, BIJKOMENDE OF MEERVOUDIGE SCHADE ZOALS ONDERMEER SCHADE TEN GEVOLGE VAN GEDERFDE WINST EN/OF GEMISTE OPBRENGSTEN VOORTKOMEND UIT DE VERKOOP OF HET GEBRUIK VAN BELKIN PRODUCTEN, ZELFS ALS DE BETROKKENE VAN DE MOGELIJKHEID VAN ZULKE SCHADE TEVOREN OP DE HOOGTE WAS GESTELD.

Deze garantie verleent u specifieke wettelijke rechten en wellicht hebt u andere rechten die van staat tot staat kunnen verschillen. In sommige staten en landen is het niet toegestaan incidentele, gevolg- en andere schade uit te sluiten, reden waarom de bovenstaande garantiebeperkingen wellicht niet voor u gelden.

BELKIN®

www.belkin.com

Technische ondersteuning

Verenigd Koninkrijk: 0845 607 77 87

Europa: www.belkin.com/support

Belkin Ltd.

Express Business Park
Shipton Way, Rushden
NN10 6GL, Verenigd Koninkrijk
+44 (0) 1933 35 2000
+44 (0) 1933 31 2000 fax

Belkin B.V.

Boeing Avenue 333
1119 PH Schiphol-Rijk
Nederland
+31 (0) 20 654 73 00
+31 (0) 20 654 73 49 fax

Belkin GmbH

Hanebergstraße 2
80637 München
Duitsland
+49 (0) 89 14 34 05 0
+49 (0) 89 14 34 05 100 fax

Belkin SAS

130 rue de Sully
92100 Boulogne-Billancourt
Frankrijk
+33 (0) 1 41 03 14 40
+33 (0) 1 41 31 01 72 fax

Belkin Iberia

Avda. Cerro del Aguila 3
28700 San Sebastián de los Reyes
Spanje
+34 91 625 80 00
+34 902 02 00 34 fax

Belkin Sweden

Knarrarnäsgatan 7
164 40 Kista
Zweden
+46 (0) 8 5229 1870
+46 (0) 8 5229 1874 fax

BELKIN®

Conmutador KVM Serie E OmniView®



EN

FR

DE

NL

ES

IT

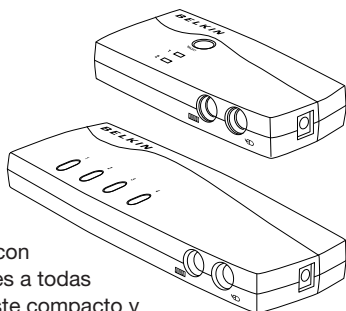
Manual del usuario

F1DB102P2ea
F1DB104P2ea
F1DB102P2eaB
F1DB104P2eaB

Índice de contenidos

| | |
|--|-----------|
| 1. Introducción | 1 |
| Contenido del paquete..... | 1 |
| 2. Generalidades | 2 |
| Esquema general de características | 2 |
| Requisitos del equipo | 3 |
| Requisitos del sistema | 4 |
| Diagramas de los indicadores de la unidad | 5 |
| Especificaciones..... | 6 |
| 3. Instalación..... | 7 |
| Configuración previa..... | 7 |
| Guía de la instalación | 7 |
| Encendido de los sistemas | 10 |
| 4. Utilización del conmutador KVM Serie E..... | 11 |
| Selección de un ordenador mediante los selectores de puerto .. | 11 |
| Selección de un ordenador mediante teclas de acceso directo.. | 11 |
| Display LED..... | 12 |
| Modo AutoScan..... | 12 |
| Referencia a las teclas de acceso rápido | 13 |
| 5. Preguntas frecuentes | 14 |
| 6. Resolución de problemas | 15 |
| 7. Glosario..... | 17 |
| 8. Información..... | 18 |

Felicidades por la adquisición del Conmutador KVM OmniView de Belkin (el Conmutador KVM). Nuestra amplia línea de soluciones KVM da muestra del compromiso de Belkin por suministrar productos duraderos de alta calidad a un precio asequible. Diseñado para proporcionarle el control sobre múltiples ordenadores desde una única consola, los conmutadores KVM de Belkin se presentan con una gran variedad de propiedades adaptables a todas las configuraciones, grandes o pequeñas. Este compacto y asequible conmutador KVM de Belkin está respaldado por una garantía de dos años y asistencia técnica de Belkin.



El presente manual de usuario le ofrece los detalles acerca de su nuevo conmutador KVM Serie E, desde la instalación y el funcionamiento, hasta la resolución de problemas para el improbable caso de que se presenten dificultades.

Gracias por adquirir el conmutador KVM Serie E OmniView de Belkin. Sabemos valorar su negocio y estamos convencidos de que pronto podrá apreciar por usted mismo por qué Belkin es el líder mundial en ventas de conmutadores KVM.

Contenido del paquete



Conmutador KVM Serie E OmniView



Manual del usuario



2 kits de cables KVM (F1DB102P2eaB solo)



4 kits de cables KVM (F1DB104P2eaB solo)

Esquema general de características

- Teclas de acceso directo

La funcionalidad de las teclas de acceso directo le permiten seleccionar el puerto deseado utilizando determinadas combinaciones de teclas. Controla hasta cuatro ordenadores, dependiendo del modelo de conmutador KVM, mediante sencillas secuencias de teclas directas. Para obtener más información acerca de las teclas de función directa, consulte la página 13 de este manual.

- AutoScan

La propiedad AutoScan (búsqueda automática) le permite efectuar un rastreo y control automáticos de la actividad de todos los ordenadores en funcionamiento conectados, uno por uno.

- Resolución de vídeo

El conmutador KVM Serie E es compatible con resoluciones de vídeo de hasta 1920 x 1440 a 75 Hz.

- Botones del panel frontal

Un pulsante, convenientemente ubicado en el panel frontal del conmutador KVM Serie E, permite una sencilla selección manual de puertos.

- Pantalla LED

Un indicador LED en la parte frontal del conmutador KVM Serie E hace las veces de monitor de estado. Un LED se ilumina para indicar la consola que controla el ordenador correspondiente en ese momento.

Requisitos del equipo

Cables:

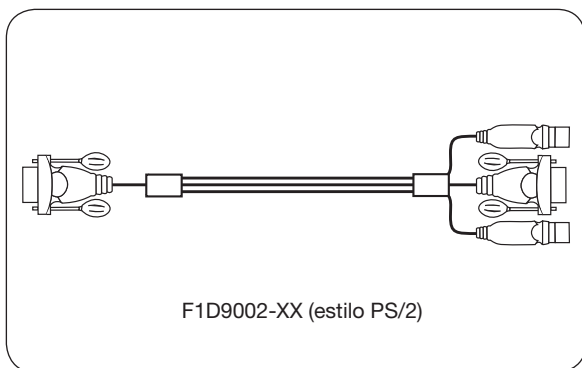
La conexión del conmutador KVM Serie E a un ordenador requiere un kit de cables KVM de Belkin.

Kits de cables Serie E de Belkin:

F1D9002-XX (estilo PS/2)

F1D9002x06 (estilo PS/2)

(-XX indica la longitud en pies)



1

2

3

4

5

6

7

8

sección

Requisitos del sistema

Sistemas operativos

El conmutador KVM Serie E es compatible, pero no exclusivamente, con CPUs que utilizan las siguientes plataformas:

- Windows® NT®, 2000, XP, Server 2003 o Vista™
- Microsoft® DOS 5.x y versiones superiores
- Red Hat® Linux® 8.x y versiones superiores
- Novell® NetWare® 5.x

Teclados

- Compatible con PS/2
- Admite teclados estándares de 101, 102, 104 y 106 teclas

Ratón

- Compatible con ratones PS/2 de 2, 3, 4 ó 5 botones
- Ratón óptico o inalámbrico compatible con PS/2

Monitores

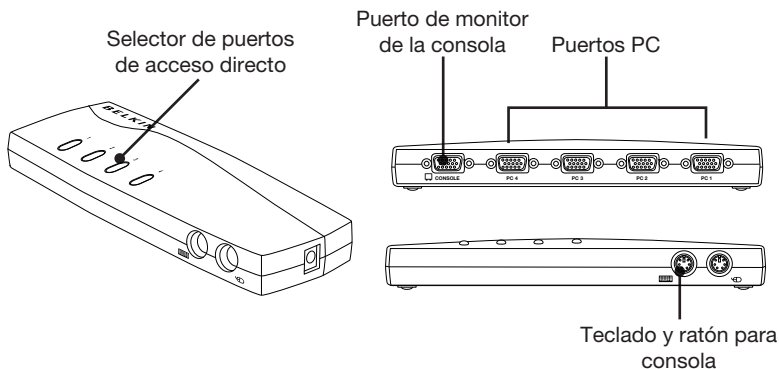
- CRT
- LCD (con soporte VGA)

Suministro de alimentación opcional

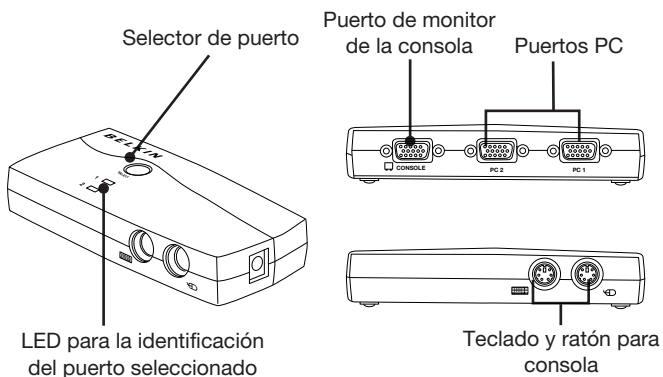
Está disponible un suministro de alimentación opcional de 9V 600mA (número de artículo de Belkin F1D084-PWR-EUR -con enchufe Schuko- y F1D084-PWR-EUR -con enchufe británico-). Esto sólo es necesario cuando la salida de la alimentación del ordenador conectado no es adecuada para la alimentación del conmutador KVM.

Diagramas de los indicadores de la unidad

Vista frontal/trasera del conmutador KVM Serie E de 4 puertos:



Vista frontal/trasera del conmutador KVM Serie E de 2 puertos:



Especificaciones

| | |
|---------------------------------------|--|
| N° de artículo: | F1DB102P2, F1DB104P2 |
| Carcasa: | plástico de gran resistencia a impactos |
| Alimentación: | de puerto PS/2 para el teclado del ordenador, adaptador de alimentación 9V CC 600mA, clavija central de polaridad positiva |
| N° de ordenadores que admite: | 2 y 4 respectivamente para los modelos de 2 y 4 puertos |
| Monitores compatibles: | CRT y LCD (con soporte VGA) |
| Resolución máx.: | Hasta 1920 x 1440 a 75 Hz |
| Entrada de teclado: | PS/2 (miniDIN6) |
| Entrada de ratón: | PS/2 (miniDIN6) |
| Puerto de monitor: | VGA (hembra HDDB15) |
| Puertos PC: | HDDB15 hembra |
| Temperatura de funcionamiento: | 0~40° C |
| Temperatura de almacenamiento: | de 20 a 60° C |
| Humedad: | 0-80% HR, sin condensación |
| Garantía: | de 2 años |
| Dimensiones: | (F1DJ102P) 0,13 x 0,64 x 0,03 m (F1DB104P2) 0,22 x 0,08 x 0,03 m |
| Peso: | (F1DB102P2) 204,12 gramos (F1DB104P2) 119,07 gramos |

Nota: Las especificaciones pueden ser objeto de modificación sin previo aviso.

Configuración previa

Dónde colocar el conmutador KVM

El conmutador Serie E OmniView está diseñado para ubicarse en el escritorio. El lugar de colocación del Conmutador KVM dependerá de la ubicación de sus CPUs y de la longitud de sus cables.

Tenga en cuenta los siguientes aspectos a la hora de decidir dónde colocar el conmutador KVM:

- tanto si tiene previsto utilizar los selectores de puerto de acceso directo como si no
- la longitud de los cables conectados a su teclado, monitor y ratón
- la ubicación de sus ordenadores con respecto a la consola
- la longitud de los cables que utiliza para conectar los ordenadores al Conmutador KVM

Requisitos de distancia de los cables:

Para ordenadores PS/2:

Las señales VGA se transmiten con la mejor calidad a una distancia de hasta 7,6 metros. Cuando se supera esa longitud, aumenta la posibilidad de degradación de la imagen. Por esta razón, Belkin recomienda que la longitud de los cables entre el conmutador KVM y los ordenadores conectados no supere los 7,6 metros.

Nota: Puede utilizar el módulo de extensión CAT5 OmniView de Belkin (F1D084vea2) para alargar la conexión a la consola (teclado, ratón, monitor) hasta 91 metros.

Precauciones y advertencias

Evite colocar los cables cerca de luces fluorescentes, aparatos de aire acondicionado o máquinas que produzcan ruido eléctrico (p. ej., aspiradores.)

Guía de instalación

Ahora puede comenzar con la instalación de su Conmutador KVM. Las siguientes secciones (páginas 8–10) aportan las instrucciones completas para instalar el hardware.

Antes de intentar conectar algún dispositivo al conmutador KVM Serie E o a los ordenadores, asegúrese de que todos los elementos se encuentren desconectados. La conexión y desconexión de cables mientras los ordenadores están encendidos puede provocar daños irreversibles a sus ordenadores y al conmutador KVM. Belkin no se responsabilizará del daño provocado de esta forma.

1

2

3

4

5

6

7

8

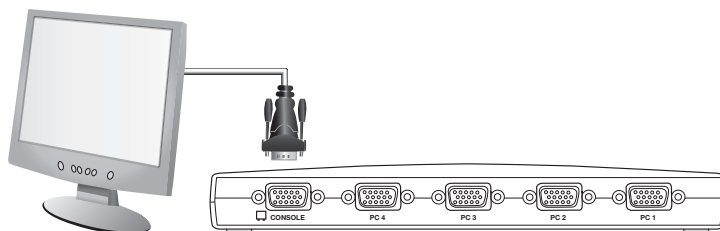
sección

Conexiones de teclado, monitor y ratón

Conexión de la consola

Paso 1

Conecte el monitor al conmutador KVM Serie E. Conecte el puerto HDDB15 hembra situado en la parte posterior izquierda del conmutador KVM Serie E llamado “Console” (consola) al monitor mediante al cable unido a este último. (Consulte el siguiente diagrama).



Paso 2

Conecte el teclado PS/2 al puerto MORADO del teclado en la parte frontal del conmutador KVM. (Consulte el siguiente diagrama).

Paso 3

Conecte el ratón PS/2 al puerto VERDE del ratón en la parte frontal del conmutador KVM. (Consulte el siguiente diagrama).



Ya puede conectar los ordenadores.

Conexión de los ordenadores al conmutador KVM Serie E

1

2

3

sección

4

5

6

7

8

Paso 1

Asegúrese de que su ordenador esté apagado.

Paso 2

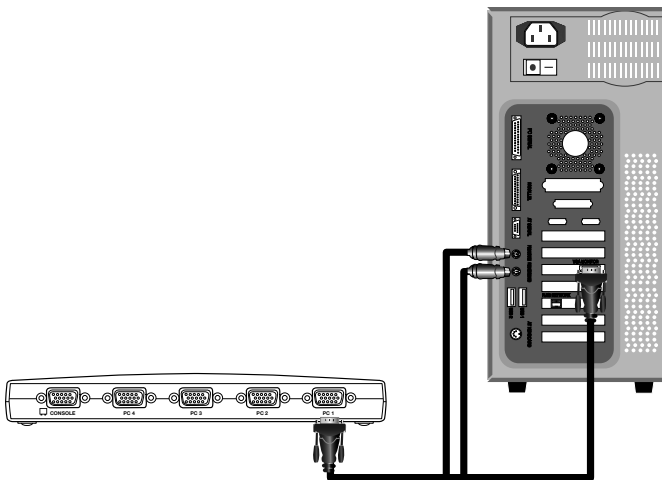
Mediante el kit de cables Serie E de Belkin para PS/2 (F1D9002x06), conecte el conector VGA al puerto monitor de su servidor. (Consulte el siguiente diagrama).

Paso 3

Conecte los conectores PS/2 de teclado y ratón a los puertos para teclado y ratón del ordenador. (Consulte el siguiente diagrama).

Paso 4

Conecte el kit de cables Serie E de Belkin para PS/2 al puerto PC deseado en la parte posterior del conmutador KVM Serie E. (Consulte el siguiente diagrama).



Paso 5

Arranque su ordenador.

Paso 6

Repita los pasos del 1 al 5 para cada ordenador PS/2 adicional que desee conectar.

Encendido de los sistemas

Verifique que todos los ordenadores que están conectados al conmutador KVM Serie E estén encendidos. Si todavía no están encendidos todos los ordenadores conectados, hágalo ahora (los ordenadores pueden encenderse al mismo tiempo). El conmutador KVM Serie E emula un ratón y un teclado en cada puerto y permitirá a su ordenador encenderse normalmente. Su conmutador KVM Serie E está listo para utilizarse.

El ordenador que está conectado al puerto "1" será mostrado en el monitor. Verifique que el teclado, monitor y ratón estén funcionando normalmente. Compruebe todos los puertos ocupados para verificar que todos los ordenadores conectados estén respondiendo correctamente. Si detecta un error, compruebe las conexiones de los cables de ese ordenador y reinícielo. Si el problema continúa, consulte la sección "Resolución de problemas" del presente manual del usuario.

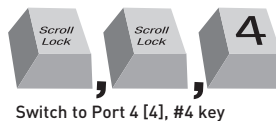
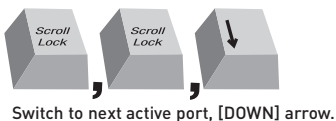
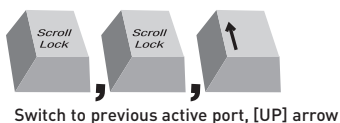
Selección de un ordenador mediante el botón selector

Puede seleccionar un ordenador conectado mediante el botón selector o mediante las teclas de acceso directo. El LED junto al número del puerto se encenderá para indicar el puerto que está seleccionado en ese momento. La señal de vídeo tardará aproximadamente 1-2 segundos en actualizar la imagen cuando se pase de un ordenador a otro. Asimismo, tendrá lugar una nueva sincronización de la señal del teclado y del ratón. Ésta es una operación normal que garantiza una sincronización apropiada entre la consola y los ordenadores conectados.

Selección de un ordenador mediante teclas de acceso directo

Puede seleccionar el puerto siguiente o anterior a través de una simple combinación de teclas. Para ello, presione la tecla “Bloq Despl” y, simultáneamente, la tecla de flecha “Arriba” o “Abajo”. Para enviar órdenes al conmutador KVM, pulse dos veces la tecla “Scroll lock” en un plazo de dos segundos. El conmutador KVM Serie E emitirá un pitido, confirmando que se encuentra en el modo de acceso rápido. A continuación, pulse la tecla de flecha de arriba y el conmutador KVM Serie E volverá al puerto anterior. Presione la tecla de flecha “Abajo” para pasar el siguiente puerto activo.

Podrá conmutar directamente a cualquiera de los puertos introduciendo el número de puerto al que desee acceder. Por ejemplo, si pulsa “Bloq Despl”, “Bloq Despl”, “2”, el conmutador KVM conmutará al ordenador conectado en el Puerto 2.



Atención: Dispondrá de aproximadamente tres segundos para completar cada secuencia de acceso rápido.

1

2

3

4

5

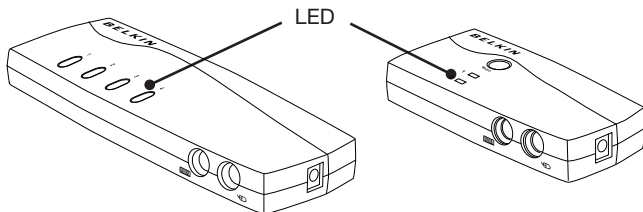
6

7

8

Selección de un ordenador mediante los selectores de puerto

Puede seleccionar directamente el ordenador que desee controlar mediante el correspondiente selector de acceso directo que se encuentra al lado del puerto correspondiente. El LED se encenderá para indicar que el puerto está seleccionado en ese momento.



Display LED

El indicador LED de la parte frontal del conmutador KVM Serie E hace las veces de monitor de estado. Un LED se ilumina para indicar la consola que controla el ordenador correspondiente en ese momento. Al presionar uno de los selectores de puerto, el LED ubicado a su lado se iluminará. Un LED de puerto que parpadea indica que no hay ningún ordenador conectado a ese puerto o que el ordenador conectado está apagado. El LED también parpadeará mientras el conmutador KVM esté en modo AutoScan.

Nota: El LED de puerto permanecerá encendido y constante para algunos ordenadores que suministran electricidad de un modo continuo al puerto PS/2 de teclado, incluso cuando están apagados.

Modo AutoScan

En el modo AutoScan (búsqueda automática), el Conmutador KVM Serie E permanece en un puerto activo durante cinco segundos antes de conmutar al siguiente. Este intervalo de tiempo no puede ser modificado.

Para activar la función de búsqueda automática, presione “Bloq Despl”, “Bloq Despl”, “0”.

Para detener AutoScan, pulse cualquier botón del panel frontal o cualquier tecla en el teclado.

Nota: En el modo AutoScan, no hay control mediante ratón o teclado. Esto es necesario para evitar errores de datos y sincronización. Si el usuario utilizara el ratón o teclado mientras el conmutador KVM Serie E está cambiando entre los puertos, podría causarse una interrupción en el flujo de datos, un movimiento errático del ratón y/o una introducción de la letra incorrecta al utilizar el teclado.

Referencia a las teclas de acceso rápido

A continuación, encontrará una lista completa de los comandos de teclado de acceso rápido que puede utilizar con el conmutador KVM Serie E:

Nota: Cada comando necesita ser precedido por “Scroll Lock”, “Scroll Lock” (“Bloq Despl”, “Bloq Despl”).

| Comando | Función |
|-----------|--|
| ↑ | Ordenador activo previo |
| ↓ | Siguiente ordenador activo |
| [1,2,3,4] | Conmutación al puerto “x” (1, 2, 3, 4) |
| A | Activa AutoScan |
| S | Apague/encienda el sonido |

Nota: Dispondrá de aproximadamente tres segundos para completar cada secuencia de acceso directo.

1

2

3

4

5

6

7

8

sección

P: ¿Qué sistemas operativos son compatibles con el conmutador KVM Serie E?

R: El conmutador KVM Serie E será compatible con cualquier sistema operativo que funcione en una plataforma PS/2. Los sistemas operativos incluyen, entre otros: DOS; Windows 2000, NT, XP, Server 2003, Vista y Linux.

P: ¿Puedo conectar los ordenadores USB en el lado host?

R: No, el conmutador KVM Serie E será compatible sólo con los ordenadores PS/2.

P: ¿A qué distancia puede encontrarse el ordenador del conmutador KVM?

R: El Conmutador KVM puede colocarse a unos 7,5 m de distancia de su ordenador PS/2.

P: ¿Cuál es la máxima resolución de vídeo compatible con el conmutador KVM Serie E?

R: El circuito avanzado de vídeo del conmutador KVM es compatible con una resolución máxima de 1920x1440@75Hz.

P: ¿Debo instalar algún tipo de software para utilizar el conmutador KVM?

R: No, el conmutador KVM no requiere la instalación en sus ordenadores de ningún tipo de controlador o software. Conecte simplemente todos sus ordenadores a los kits de cableado KVM de Belkin. Después, conecte un monitor, un ratón y un teclado a los puertos correspondientes para consola y su conmutador estará listo para ser utilizado.

P: ¿Requiere el Conmutador KVM un adaptador de CA?

R: No, el Conmutador KVM puede utilizarse en la mayoría de los casos sin un adaptador de alimentación externo.

P: ¿Puedo emplear el conmutador KVM Serie E para conmutar exclusivamente señales de vídeo?

R: No, el conmutador KVM debe estar conectado también a los puertos de teclado/ratón de sus ordenadores. El conmutador KVM detecta la alimentación de los puertos PS/2 de los ordenadores para funcionar.

P: ¿El Conmutador KVM es compatible con Linux?

R: Sí, el conmutador KVM funciona con Red Hat y otras distribuciones de Linux que están configuradas para ser compatibles con PS/2.

P: ¿Qué tipo de garantía tiene el conmutador KVM Serie E?

R: El conmutador KVM está avalado por una Garantía limitada de dos años.

Mi ordenador no arranca cuando está conectado al conmutador KVM, pero funciona bien cuando conecto el teclado, el monitor y el ratón directamente al ordenador.

- Asegúrese de que los cables de teclado y ratón se encuentren perfectamente conectados entre el Conmutador KVM y el ordenador.
- Verifique que los cables para teclado y ratón no estén entrecruzados.
- Compruebe la conexión del cable.

Aparecen imágenes borrosas o con sombras en mi monitor.

- Compruebe que todos los cables de vídeo estén insertados correctamente al kit de cables.
- Compruebe que el monitor que está utilizando admite los ajustes de resolución y de velocidad de actualización de su ordenador.
- Reduzca la resolución de vídeo de su monitor.
- Verifique que la longitud del cable no sea superior a 7,6 metros.
- Compruebe que la tarjeta gráfica que está utilizando admite los ajustes de resolución y de velocidad de actualización de su ordenador.
- Conecte el monitor directamente al ordenador que está presentando problemas para comprobar si el problema persiste.

Aparece una pantalla negra en el monitor.

- Compruebe que todos los cables de vídeo estén conectados correctamente.
- Compruebe que el cable del teclado esté conectado e insertado correctamente al ordenador y al puerto apropiado del Conmutador KVM.
- Mueva el ratón y compruebe si es necesario acceder como usuario.
- Conecte su monitor directamente al ordenador para comprobar que funciona correctamente.

El ordenador no detecta el teclado y obtengo un error de teclado durante el arranque.

- Compruebe que el cable del teclado del conmutador KVM está completamente conectado a su ordenador. Apriete las conexiones flojas.
- Si está haciendo uso del software del teclado que venía adjunto con el mismo, desinstálelo y vuelva a instalar el controlador estándar para teclados de Microsoft.

1

2

3

4

5

6

7

8

El ratón se pierde cuando cambio a un puerto diferente.

- Compruebe que el ratón que está utilizando se encuentre correctamente conectado al puerto de consola del Conmutador KVM.
- Apriete las conexiones flojas.
- Si está haciendo uso del controlador para ratón que venía adjunto con el mismo, desinstálelo e instale el controlador estándar para ratones de Microsoft.
- Asegúrese de que el ratón funciona cuando está directamente conectado al ordenador.
- Si el ordenador acaba de salir del modo standby, espere hasta un minuto que el ratón vuelva a funcionar correctamente.
- Desactive los esquemas de gestión de la alimentación del PC en el que está experimentando problemas.
- Si cambia la configuración del KVM o realiza una conexión en caliente (hot-swapping), asegúrese de que apaga todos los ordenadores conectados. Después, vuelva a instalar el conmutador KVM como se describe en las páginas 8-10 de este manual.
- Pruebe con un ratón diferente.

El ratón no es detectado durante el arranque.

- Compruebe los cables y asegúrese de que están insertados correctamente.

El ordenador arranca bien, pero el ratón no funciona.

- Asegúrese de que el ratón esté conectado correctamente.
- Asegúrese de que el ratón funciona cuando está conectado directamente al ordenador. Es posible que sea necesario reiniciar para comprobar esto.
- Pruebe con un ratón diferente.
- Intente arrancar el ordenador con problemas teniendo el puerto seleccionado y espere hasta que el sistema operativo se cargue antes de conmutar a otro ordenador.

El ordenador arranca bien, pero el ratón no funciona.

- Si cambia la configuración del KVM o realiza una conexión en caliente (hot-swapping), asegúrese de que apaga todos los ordenadores conectados. Después, vuelva a instalar el conmutador KVM como se describe en las páginas 8-10 de este manual.
- Asegúrese de que no tiene instalado más de un driver para el ratón. Asegúrese de que el driver sea o bien para un ratón PS/2 o USB estándar o bien para un ratón PS/2 compatible con Microsoft.
- Asegúrese de que no exista ningún driver de ratón cargado en sus archivos CONFIG.SYS o AUTOEXEC.BAT.
- Evite mover el ratón o pulsar el botón del mismo cuando conmute puertos en el Conmutador KVM.
- Intente arrancar el ordenador con problemas teniendo el puerto seleccionado y espere hasta que el sistema operativo se cargue antes de conmutar a otro ordenador.

Los términos que se definen a continuación se utilizan en este manual del usuario.

AutoScan: Un modo de funcionamiento en el que el conmutador KVM rastrea de un puerto a otro, de forma constante, como ha sido configurado por el usuario.

Consola: El término “todo en uno” para el teclado, el monitor de imagen y el ratón conectados a un conmutador KVM.

Puerto para consola: Receptores para conectar la consola al conmutador KVM.

Control: Cuando se habla de conmutar entre puertos, control significa que la consola está capacitada para enviar entradas al ordenador. El control requiere que la consola disponga además de enfoque en el puerto y lo esté visualizando.

KVM:Literalmente, KVM (Keyboard Video Mouse) es un término que se refiere a la tecnología que permite controlar dos o más ordenadores desde un teclado, un monitor de vídeo y un ratón. Algunos conmutadores con tecnología KVM también permiten compartir otros periféricos, como por ejemplo altavoces, micrófonos e impresoras.

Conmutadores KVM: Un dispositivo que otorga al usuario el acceso y el control de múltiples ordenadores desde una única consola. Tiene por lo menos un puerto para consola y varios puertos para ordenador.

Puerto: Un receptor de interfaz en un ordenador a través del cual es posible conectar un dispositivo o enchufar un cable de dispositivo.

1

2

3

4

5

6

7

8

sección

Declaración de la FCC

DECLARACIÓN DE CONFORMIDAD CON LAS NORMATIVAS DE LA FCC SOBRE COMPATIBILIDAD ELECTROMAGNÉTICA

Nosotros, Belkin International, Inc., con sede en 501 West Walnut Street, Compton, CA 90220 (EE.UU.), declaramos bajo nuestra sola responsabilidad que los productos:

F1DB102P2, F1DB104P2

al que hace referencia la presente declaración:
cumplen con la sección 15 de las normativas de la FCC. Su utilización está sujeta a las siguientes dos condiciones:

- (1) este dispositivo no debe provocar interferencias nocivas y
- (2) este dispositivo debe aceptar cualquier interferencia recibida, incluyendo las interferencias que pueden causar un funcionamiento no deseado.

Declaración de conformidad CE

Nosotros, Belkin International Inc., declaramos bajo nuestra sola responsabilidad que los productos F1DB102P2, F1DB104P2, a los que hace referencia la presente declaración, están en conformidad con el Estándar de Emisiones EN55022, el Estándar de Inmunidad EN55024, y LVD EN61000-3-2 y EN61000-3-3.

ICES

Este aparato digital de la clase B cumple con la norma canadiense ICES-003. Cet appareil numérique de la classe B est conforme à la norme NMB-003 du Canada.

Garantía del producto de 2 años de Belkin International, Inc.

La cobertura de la presente garantía.

Belkin International, Inc. ("Belkin") otorga una garantía al comprador original según la cual el producto Belkin no tendrá defectos en cuanto a diseño, montaje, materiales o mano de obra.

Cuál es el período de cobertura.

Belkin garantiza el producto Belkin durante dos años.

¿Cómo resolveremos los problemas?

Garantía del producto.

Belkin reparará o sustituirá, según decida, cualquier producto defectuoso sin ningún tipo de cargo (excepto los gastos de envío del producto).

¿Qué excluye la presente garantía?

Todas las garantías mencionadas anteriormente resultarán nulas y sin valor alguno si el producto Belkin no se le proporciona a Belkin para su inspección bajo requerimiento de Belkin con cargo al comprador únicamente o si Belkin determina que el producto Belkin se ha instalado de un modo inadecuado, alterado de algún modo o forzado. La garantía del producto de Belkin no lo protege de los desastres naturales tales como inundaciones, terremotos, rayos, vandalismo, robos, mal uso,

erosión, agotamiento, desuso o daño a causa de interrupciones en la alimentación (p. ej. apagones) modificación o alteración no autorizadas de programas o sistemas.

Cómo acceder a nuestros servicios.

Para obtener asistencia sobre algún producto de Belkin, debe seguir los siguientes pasos:

1. Póngase en contacto con Belkin International, Inc en 501 W. Walnut St., Compton CA 90220, a la atención de: Servicio de atención al cliente, o llame al teléfono (800)-223-5546, en un plazo de 15 días desde el momento de la incidencia. Tenga preparada la siguiente información:

- a. El número de artículo del producto Belkin.
- b. El lugar de compra del producto.
- c. Cuándo compró el producto.
- d. Copia de la factura original.

2. El servicio de atención al cliente de Belkin le informará sobre cómo enviar el recibo y el producto Belkin y sobre cómo proceder con su reclamación.

Belkin se reserva el derecho de revisar el producto Belkin dañado. Todos los gastos de envío del producto Belkin a Belkin para su inspección correrán a cargo del comprador exclusivamente. Si Belkin determina, según su propio criterio, que resulta poco práctico el envío de los equipos averiados a Belkin, Belkin podrá designar, según su propio criterio, una empresa de reparación de equipos para que inspeccione y estime el coste de la reparación de dichos equipos. Los gastos, si existen, de envío del equipo a dicha empresa de reparaciones, y de su valoración, correrán exclusivamente a cargo del comprador. El equipo dañado deberá permanecer disponible para su inspección hasta que haya finalizado la reclamación. Si se solucionan las reclamaciones por negociación, Belkin se reserva el derecho a subrogar la garantía por cualquier póliza de seguros del comprador.

Relación de la garantía con la legislación estatal.

ESTA GARANTÍA CONTIENE LA GARANTÍA EXCLUSIVA DE BELKIN. NO EXISTEN OTRAS GARANTÍAS EXPLÍCITAS O IMPLÍCITAS, EXCEPTO LAS ESTABLECIDAS POR LEY, INCLUYENDO LA GARANTÍA IMPLÍCITA O LAS CONDICIONES DE CALIDAD, APTITUD PARA LA VENTA O PARA CUALQUIER PROPÓSITO EN CONCRETO Y, TALES GARANTÍAS IMPLÍCITAS, SI ES QUE EXISTE ALGUNA, ESTÁN LIMITADAS A LA DURACIÓN DE ESTA GARANTÍA.

Ciertas jurisdicciones no permiten la limitación de duración de las garantías implícitas, por lo que puede que las anteriores limitaciones no le afecten.

EN NINGÚN CASO BELKIN SERÁ RESPONSABLE DE LOS DAÑOS IMPREVISTOS, ESPECIALES, DIRECTOS, INDIRECTOS, CONSECUENTES O MÚLTIPLES, INCLUYENDO ENTRE OTROS LA PÉRDIDA DE NEGOCIO O BENEFICIOS QUE PUEDA SURGIR DE LA VENTA O EL EMPLEO DE CUALQUIER PRODUCTO BELKIN, INCLUSO SI BELKIN HA SIDO INFORMADA DE LA POSIBILIDAD DE DICHOS DAÑOS.

Esta garantía le proporciona derechos legales específicos y también podría beneficiarse de otros derechos que pueden variar entre las distintas jurisdicciones. Algunas jurisdicciones no permiten la exclusión o limitación de los daños fortuitos, consecuentes, o de otro tipo, por lo que puede que las limitaciones mencionadas anteriormente no le afecten.

1

2

3

4

5

6

7

8

sección

BELKIN®

www.belkin.com

Asistencia técnica de Belkin

Reino Unido: 0845 607 77 87

Europa: www.belkin.com/support

Belkin Ltd.

Express Business Park
Shipton Way, Rushden
NN10 6GL, Reino Unido
+44 (0) 1933 35 2000
+44 (0) 1933 31 2000 fax

Belkin SAS

130 rue de Sully
92100 Boulogne-Billancourt
Francia
+33 (0) 1 41 03 14 40
+33 (0) 1 41 31 01 72 fax

Belkin B.V.

Boeing Avenue 333
1119 PH Schiphol-Rijk
Países Bajos
+31 (0) 20 654 73 00
+31 (0) 20 654 73 49 fax

Belkin Iberia

Avda. Cerro del Águila 3
28700 San Sebastián de los Reyes
España
+34 91 625 80 00
+34 902 02 00 34 fax

Belkin GmbH

Hanebergstrasse 2
80637 Múnich
Alemania
+49 (0) 89 14 34 05 0
+49 (0) 89 14 34 05 100 fax

Belkin Suecia

Knarramäsgatan 7
164 40 Kista
Suecia
+46 (0) 8 5229 1870
+46 (0) 8 5229 1874 fax

BELKIN®

OmniView® Serie E Switch KVM



EN
FR
DE
NL
ES
IT

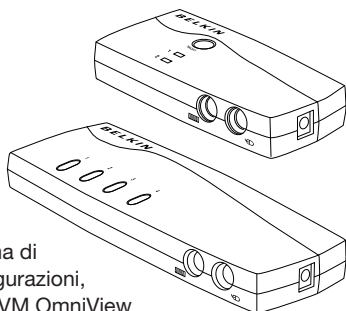
Manuale utente

F1DB102P2ea
F1DB104P2ea
F1DB102P2eaB
F1DB104P2eaB

Indice

| | |
|--|-----------|
| 1. Introduzione | 1 |
| Contenuto della confezione..... | 1 |
| 2. Descrizione generale..... | 2 |
| Descrizione generale delle caratteristiche..... | 2 |
| Requisiti del sistema | 3 |
| Requisiti del sistema | 4 |
| Diagrammi di visualizzazione dell'unità | 5 |
| Specifiche | 6 |
| 3. Installazione..... | 7 |
| Configurazione preliminare | 7 |
| Guida per la risoluzione delle anomalie | 7 |
| Accensione dei sistemi | 10 |
| 4. Utilizzo dello Switch KVM Serie E | 11 |
| Selezione del computer dai pulsanti di selezione..... | 11 |
| Selezione di un computer mediante i tasti di scelta rapida della tastiera..... | 11 |
| Display LED..... | 12 |
| Modalità di scansione automatica | 12 |
| Tasti di scelta rapida della tastiera..... | 13 |
| 5. Domande frequenti..... | 14 |
| 6. Risoluzione delle anomalie..... | 15 |
| 7. Glossario | 17 |
| 8. Informazioni | 18 |

Congratulazioni per l'acquisto di questo switch KVM Omni View Belkin (di seguito denominato lo switch). La nostra ampia gamma di soluzioni KVM testimonia l'impegno che Belkin dedica alla realizzazione di prodotti di alta qualità, durevoli e ad un costo accessibile. Concepiti tecnicamente per assicurare il controllo di molteplici computer da una console, gli switch KVM Belkin dispongono di una gamma di prestazioni tecniche adatte per tutte le configurazioni, siano esse ampie o ridotte. Questo Switch KVM OmniView Belkin è compatto, conveniente e provvisto di una garanzia di cinque anni Belkin e di assistenza tecnica gratuita.



1 sezione

2

3

4

5

6

7

8

In questo Manuale Utente potete trovare tutte le informazioni relative a questo nuovo Switch KVM Serie E, dall'installazione al funzionamento e alla risoluzione dei problemi, nella remota eventualità dell'insorgere di un'anomalia.

Grazie per aver acquistato lo Switch KVM Omni View Serie E Belkin. Ci sta a cuore il vostro tipo di attività e siamo certi che anche voi scoprirete perché Belkin è il numero uno al mondo nel campo degli switch KVM.

Contenuto della confezione



Switch KVM OmniView Serie E



Manuale utente



Comprende 2 kit di cavi KVM (F1DB102P2eaB only)



Comprende 4 kit di cavi KVM (F1DB104P2eaB only)

Descrizione generale delle caratteristiche

- **Tasti di scelta rapida**

I tasti di scelta rapida consentono di selezionare la porta desiderata utilizzando i tasti di comando assegnati. Si possono controllare fino a quattro computer, a seconda del modello Switch KVM, mediante semplici sequenze di tasti di scelta rapida. Per le istruzioni dettagliate sui tasti di scelta rapida, andare a pagina 13 di questo manuale.

- **Scansione automatica**

La funzione AutoScan consente di impostare lo switch in modo tale che esso esegua la scansione ed il controllo delle attività di tutti i computer collegati, uno per uno.

- **Risoluzione video**

Lo Switch KVM Serie E supporta risoluzioni video fino a 1920x1440 a 75 Hz.

- **Pulsanti sul pannello anteriore**

Questi pulsanti, posizionati comodamente sul pannello anteriore dello switch consentono di selezionare a mano, in maniera semplice, la porta desiderata.

- **Display LED**

Un display a LED sul pannello anteriore dello Switch KVM Serie E serve a monitorare lo stato di funzionamento. Il LED illuminato indica che la console sta attualmente controllando il computer corrispondente.

Requisiti dell'apparecchiatura

Cavi:

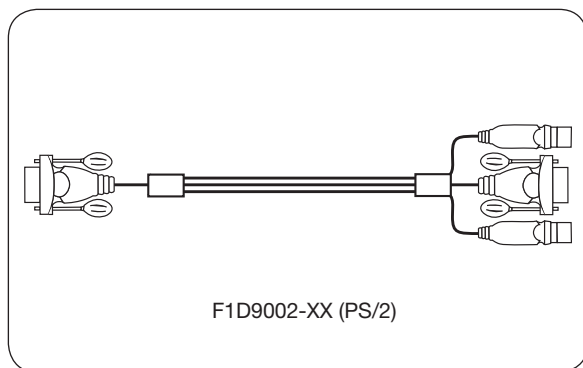
Il collegamento dei computer allo Switch KVM Serie E richiede un kit di cavi per KVM Belkin.

Kit di cavi per serie E Belkin:

F1D9002-XX (PS/2)

F1D9002X06 (PS/2)

(-xx indica la lunghezza in piedi)



1

2

3

4

5

6

7

8

sezione

Requisiti di sistema

Piattaforme OS

Lo switch KVM Serie E è compatibile con le CPU collegate, tra le altre, alle seguenti piattaforme OS:

- Windows® NT®, 2000, XP, Server 2003 o Vista™
- Microsoft® DOS 5.x e successive
- Red Hat® Linux® 8.x e successive
- Novell® NetWare® 5.x

Tastiere

- Compatibile con PS/2
- Compatibile con tastiere standard con 101/102/104/106 tasti

Mouse

- Compatibili PS/2 con 2, 3, 4, o 5 tasti
- compatibile con mouse wireless e ottici con connessione PS/2

Monitor

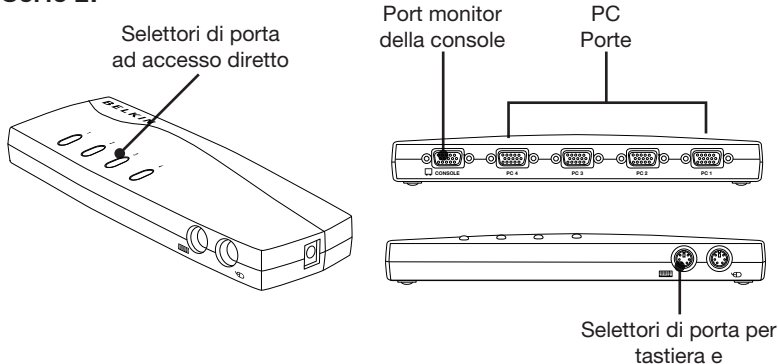
- CRT
- LCD (con supporto VGA)

Blocco alimentazione in opzione

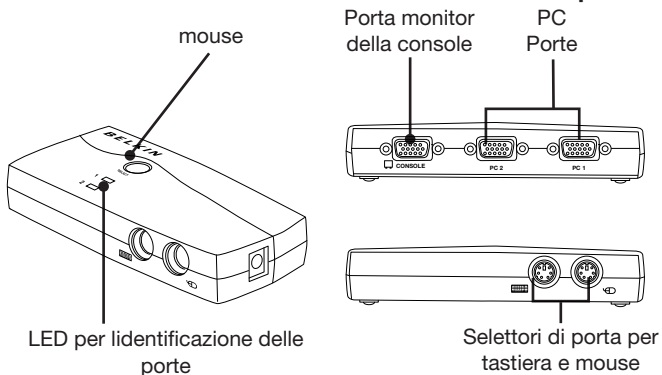
È disponibile un alimentatore opzionale da 9V, 600mA .Cod. prodotto Belkin F1D084-PWR-EUR, (presa Schuko inclusa) e cod. prodotto F1D084-PWR-EUR (presa UK) Ciò è richiesto in rari casi, ad esempio quando la potenza in uscita del computer connesso non è sufficiente ad alimentare lo Switch KVM.

Diagrammi di visualizzazione dell'unità

Vista Anteriore/Posteriore dello Switch KVM a quattro porte Serie E:



Vista Anteriore/Posteriore dello Switch KVM a due porte Serie E:



1

2

3

4

5

6

7

8

sezione

Specifiche

| | |
|---|---|
| Cod. prod.: | F1DB102P2, F1DB104P2 |
| Rivestimento: | Plastica resistente agli urti |
| Alimentazione: | Dalla porta della tastiera PS/2 o adattatore opzionale da 9V CC, 600mA con polarità positiva al contatto centrale |
| N° di computer supportati: | 2 e 4 rispettivamente per i modelli da 2 e 4 porte |
| Monitor supportati: | CRT e LCD (con supporto VGA) |
| Risoluzione massima: | Fino a 1920x1440 @ 75 Hz |
| Ingresso tastiera: | miniDIN6 (PS/2) |
| Ingresso mouse: | miniDIN6 (PS/2) |
| Porta monitor: | HDDB15 femmina (VGA) |
| Porte PC: | porta femmina HDDB15 |
| Temperatura di funzionamento: | 0°~40° C |
| Temperatura di immagazzinamento: | -20°~60° C |
| Umidità: | tra 0 e 80% di umidità relativa, non condensante |
| Garanzia: | 2 anni |
| Dimensioni: | (F1DB102P2) 5.2 x 2.5 x 1 in (F1DB104P2) 8.5 x 3.2 x 1 in. |
| Peso: | (F1DB102P2) 7.2oz (F1DB104P2) 4.2oz. |

Nota bene: le specifiche sono soggette a variazioni senza obbligo di preavviso.

Configurazione preliminare

Dove posizionare lo Switch KVM

Lo Switch KVM Omni View Serie E è stato realizzato per essere posizionato sul desktop. La corretta collocazione dipende da dove si trovano i CPU e dalla lunghezza dei cavi.

Per decidere dove posizionare lo switch KVM, è necessario prendere in considerazione i seguenti aspetti:

- Se si intende utilizzare o meno i selettori delle porte ad accesso diretto
- la lunghezza dei cavi collegati a tastiera, monitor e mouse
- la posizione dei propri computer rispetto alla console
- la lunghezza dei cavi utilizzati per collegare i computer allo Switch KVM

Requisiti della distanza dei cavi:

Per i computer PS/2:

I segnali VGA si trasmettono in maniera eccellente fino a 7.6 metri di distanza. Superata questa distanza, le probabilità di un peggioramento della qualità video aumentano. Per questo motivo, Belkin consiglia che la lunghezza dei cavi tra lo switch KVM e i computer collegati non sia superiore ai 7.6 metri.

Nota bene: L'Extender CAT5 OmniView (F1D084vea2) Belkin può essere utilizzato per estendere la console (tastiera, mouse e monitor) fino ad una distanza di 90 metri.

Avvertenze

Non collocare i cavi vicino a fonti luminose fluorescenti, impianti condizionatori o macchine che possono produrre interferenze elettriche (ad es. gli aspirapolvere).

Guida d'installazione

L'installazione dello switch KVM può iniziare. I seguenti passaggi (da pagina 8 a 10) forniscono istruzioni complete per configurare l'hardware.

Prima di collegare qualsiasi cosa allo Switch KVM Serie E o ai computer, accertarsi che tutto sia spento. Infatti, attaccare e staccare cavi, mentre i computer sono accesi, può provocare danni irreversibili ai computer, ai dati e allo switch. La Belkin declina qualsiasi responsabilità per eventuali danni causati da un mancato adempimento a tali indicazioni.

1

2

3

4

5

6

7

8

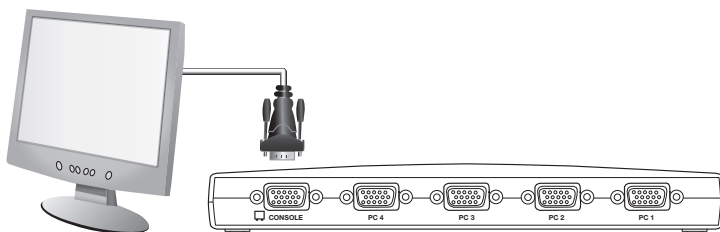
sezione

Collegamento di tastiera, monitor e mouse

Collegamento della console

Fase 1

Collegare il monitor allo Switch KVM Serie E. Utilizzare il cavo collegato al monitor, collegarlo al connettore femmina HDDDB15 sul retro del lato sinistro dello Switch KVM Serie E contrassegnato come "Console". (vedere lo schema riportato di seguito).

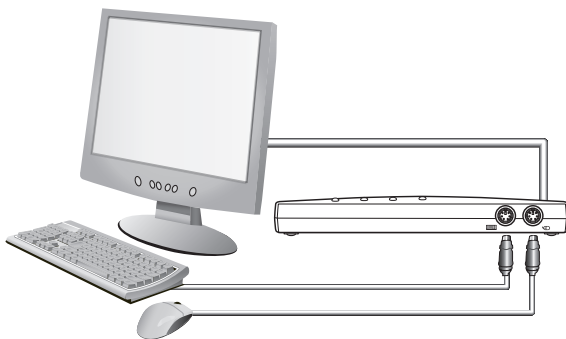


Fase 2

Connettere la tastiera PS/2 alla porta VIOLA presente sul pannello anteriore dello Switch KVM. (vedere lo schema riportato di seguito).

Fase 3

Connettere il mouse PS/2 alla porta VERDE presente sul pannello anteriore dello Switch KVM. (vedere lo schema riportato di seguito).



Ora è possibile collegare i computer.

Collegamento dei computer allo switch KVM Serie E.

1

Fase 1

Assicurarsi che il computer sia spento.

2

Fase 2

Utilizzando il kit di cavi per PS/2 Serie E Belkin (F1D9002x06), collegare il connettore VGA alla presa per il monitor prevista sul computer. (vedere lo schema riportato di seguito).

3

4

Fase 3

Collegare i connettori del mouse e della tastiera PS/2 alle rispettive porte presenti sul computer. (vedere lo schema riportato di seguito).

5

Fase 4

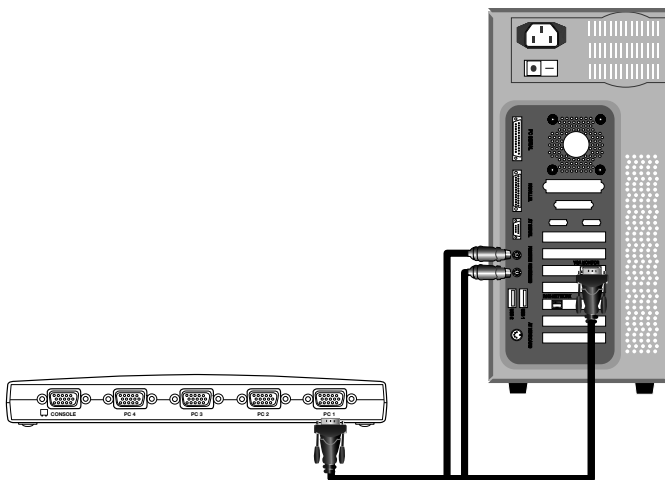
Utilizzando il kit di cavi per PS/2 Serie E di Belkin, collegarsi alla porta per PC presente sul retro dello Switch KVM Serie E. (vedere lo schema riportato di seguito).

6

7

8

sezione



Fase 5

Accendere il computer.

Fase 6

Ripetere le fasi da 1 a 5 per ogni altro computer PS/2 che si desidera collegare.

Accensione dei sistemi

Accertarsi che tutti i computer collegati allo switch KVM Serie E siano accesi. Eventuali computer collegati non ancora accesi, si possono accendere anche adesso (i computer si possono accendere contemporaneamente). Lo switch KVM Serie E emula mouse e tastiera per ciascuna porta e consentirà al computer di effettuare una inizializzazione normale. Lo switch KVM Serie E è ora pronto per l'uso.

Il computer collegato alla porta "1" sarà visualizzato sul monitor. Accertarsi che tastiera, monitor e mouse funzionino correttamente. Controllare tutte le porte occupate per verificare che tutti i computer siano collegati e rispondano correttamente. Se si riscontrasse un errore, controllare i cavi collegati al computer in questione e riavviare. Se il problema persiste, vedere la sezione "Risoluzione dei problemi" di questo manuale.

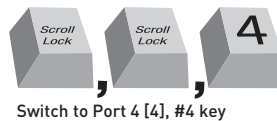
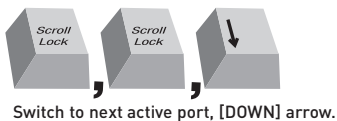
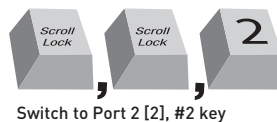
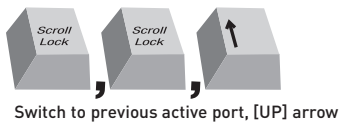
Selezione del computer attraverso i pulsanti di selezione

È possibile selezionare direttamente un computer collegato, premendo il pulsante di selezione oppure usando i comandi di selezione rapida. L'indicatore LED si illuminerà accanto al numero per indicare quale porta è attualmente selezionata. Trascorreranno circa 1-2 secondi prima che il segnale video venga ripristinato dopo l'accensione dei computer. Viene eseguita inoltre una risincronizzazione dei segnali del mouse e della tastiera. Questa normale procedura assicura che venga stabilita una sincronizzazione appropriata tra la console e i computer collegati.

Selezione di un computer utilizzando i tasti di scelta rapida della tastiera

Per passare alla porta precedente o successiva con le semplici sequenze di tasti, utilizzare il tasto "Bloc Scorr" seguito dai tasti freccia "Su" e "Giù". Per inoltrare comandi verso lo switch KVM, premere il tasto "Bloc Scorr" due volte in un intervallo di due secondi. Lo switch emetterà un segnale acustico per confermare l'avvenuta selezione della modalità di scelta rapida. Quindi, premere il tasto freccia "Su", lo switch KVM Serie E passerà alla porta successiva. Premere il tasto freccia "Giù" per passare alla porta precedente.

Si può commutare direttamente una qualsiasi porta immettendo il numero della porta che si desidera utilizzare. Ad esempio, premendo "Bloc Scorr", "Bloc Scorr", "2", lo switch KVM passerà al computer della porta 2.



Nota bene: si hanno a disposizione circa tre secondi per completare ciascuna sequenza di selezione rapida.

1

2

3

4

5

6

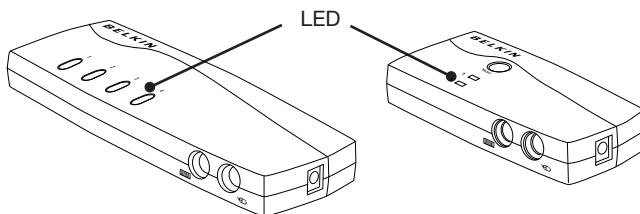
7

8

sezione

Selezione del computer dai pulsanti di selezione delle porte

Si può selezionare direttamente quale computer controllare premendo il selettore delle porte ad accesso diretto accanto alla rispettiva porta. Il LED si accende per indicare che la porta è correntemente selezionata.



Display LED

Un display a LED sul pannello anteriore dello Switch KVM Serie E serve a monitorare lo stato di funzionamento. Il LED illuminato indica che la console sta attualmente controllando il computer corrispondente. Non appena il selettore di porta viene premuto, il LED accanto a quest'ultimo si illumina. Il LED associato a una porta intermittente serve ad indicare l'assenza di computer collegati a quella porta, oppure indica che il computer collegato è spento. Il LED lampeggia quando lo Switch KVM è in modalità AutoScan.

Nota bene: Indicatore di porta LED rimane fisso per quei computer che alimentano continuamente la porta PS/2 della tastiera, anche quando sono spenti.

Modalità di AutoScan

In modalità di AutoScan, lo switch KVM serie E rimane collegato a una porta per cinque secondi prima di effettuare la commutazione verso quella successiva. Questo intervallo di tempo non può essere modificato.

Per attivare la funzione di AutoScan, premere "Bloc Scorr", "Bloc Scorr", "0" sulla tastiera.

Per disattivare la funzione AutoScan, premere un pulsante qualsiasi del pannello frontale oppure un tasto qualunque della tastiera.

Nota bene: In modalità di scansione automatica non è previsto il controllo tramite mouse o tastiera. Questo accorgimento è necessario per evitare errori di dati e sincronizzazione. Se l'utente stesse utilizzando il mouse o la tastiera quando lo switch KVM Serie E esegue la commutazione tra una porta e l'altra, il flusso di dati potrebbe interrompersi e causare un movimento confuso del mouse e/o l'inserimento di caratteri sbagliati dalla tastiera.

Riferimento per i tasti di scelta rapida della tastiera

Di seguito è riportato un elenco completo dei comandi di selezione rapida utilizzabili con lo switch KVM Serie E:

Nota bene: Ogni comando deve essere preceduto da “Bloc Scorr”, “Bloc Scorr”.

| Comando | Funzione |
|-----------|-----------------------------------|
| ↑ | Precedente computer attivo |
| ↓ | Prossimo computer attivo |
| [1,2,3,4] | Passa alla porta “x” (1, 2, 3, 4) |
| A | Attivare AutoScan |
| S | Attivare/Disattivare il segnale |

Nota bene: Si hanno a disposizione circa tre secondi per completare ciascuna sequenza di scelta rapida.

1

2

3

4

5

6

7

8

sezione

Q: Quali sono i sistemi operativi supportati dallo Switch KVM Serie E?

R: Lo switch KVM supporta qualsiasi sistema operativo provvisto della sola piattaforma PS/2. Tra i sistemi operativi supportati figurano: DOS; Windows 2000, NT, XP, 2003 Server; Vista e Linux.

Q: È possibile collegare i computer USB allhost?

R: No, lo Switch KVM Serie E supporta esclusivamente computer PS/2.

Q: A quale distanza dallo switch KVM può trovarsi il computer?

R: Lo Switch KVM si può collocare fino ad una distanza massima di 7 metri dal computer PS/2.

Q: Qual è la risoluzione massima supportata dallo Switch KVM Serie E?

R: Il circuito video avanzato dello Switch KVM Serie E supporta una risoluzione massima di 1920x1440 a 75Hz.

Q: Devo installare qualche software per usare lo switch KVM?

R: No, lo Switch non necessita di alcun driver o software. È sufficiente collegare tutti i computer attraverso il Kit di cavi per Switch KVM Belkin, quindi collegare una tastiera, un monitor e un mouse alla porta della console, a questo punto lo switch è pronto per l'uso.

Q: È necessario usare un adattatore di corrente con lo switch?

R: No, lo switch KVM si può usare nella maggioranza dei casi senza un adattatore di corrente esterno.

Q: Posso usare lo switch KVM Serie E per commutare solo segnali video?

R: No, gli Switch KVM Serie E devono essere collegati ad entrambe le porte video e tastiera/mouse dei computer. Per funzionare lo Switch KVM Serie E rileva l'alimentazione dalle porte PS/2 e USB presenti nel computer.

Q: Lo switch KVM supporta Linux?

R: Sì, la console funziona con Red Hat e altre distribuzioni Linux configurate per supportare gli standard PS/2.

Q: Qual è la durata della garanzia dello Switch KVM Serie E?

R: Lo Switch KVM comprende una garanzia limitata di due (2) anni.

Il computer non si avvia quando è collegato allo switch KVM, tuttavia funziona quando la tastiera, il monitor e il mouse sono collegati direttamente a questo.

- Accertarsi che i cavi della tastiera e del mouse tra lo switch KVM e il computer saldamente collegati.
- Accertarsi che i cavi della tastiera e del mouse non siano incrociati.
- Verificare le connessioni del cavo.

Sul mio monitor appaiono immagini offuscate, ombreggiate e confuse.

- Accertarsi che tutti i cavi video siano inseriti correttamente.
- Assicurarsi che il monitor supporti la risoluzione e velocità di ripristino del computer.
- Ridurre la risoluzione video del monitor.
- Accertarsi che la lunghezza del cavo non superi i 7,5 m.
- Assicurarsi che la scheda grafica supporti la risoluzione e velocità di ripristino del computer.
- Collegare il monitor direttamente al computer con il quale si stanno avendo dei problemi per vedere se questi continuano a verificarsi.

Sul mio monitor appare una schermata nera.

- Accertarsi che tutti i cavi video siano inseriti correttamente.
- Controllare che il cavo della tastiera sia collegato correttamente tra il computer e che lo switch KVM sia ben collegato alla rispettiva porta.
- Muovere il mouse e controllare se è necessario accedere come utente.
- Collegare il monitor direttamente al computer per assicurarsi che il monitor funzioni correttamente.

Il computer non rileva la tastiera e all'avvio viene segnalato un errore in tastiera.

- Accertarsi che il cavo della tastiera sullo Switch KVM sia completamente collegato al computer. Inserire bene il connettore nella presa.
- Se si stesse utilizzando un software per tastiera fornito con la tastiera stessa, disinstallarlo ed installare nuovamente il driver per tastiera standardMicrosoft.

1

2

3

4

5

6

7

8

sezione

Quando passo ad una porta diversa, non vedo più il cursore del mouse.

- Assicurarsi che il mouse sia ben collegato alla porta della console dello switch KVM.
- Stringere eventuali collegamenti lenti.
- Se si sta usando il software in dotazione con il mouse, disinstallarlo ed installare il driver mouse standard della Microsoft.
- Assicurarsi che il mouse funzioni quando è collegato direttamente al computer
- Attendere un minuto dopo il riavvio del computer, prima che il mouse riacquisti le proprie funzioni.
- Disattivare gli schemi di gestione della corrente sul PC con il quale si stanno verificando i problemi.
- Se si è modificata o utilizzata la funzione hot swap nella configurazione KVM, accertarsi che tutti i computer collegati siano spenti. Quindi reinstallare lo Switch KVM come descritto nelle pagine da 8 a 10 di questo manuale.
- Provare un altro mouse.

Il mouse non viene rilevato all'avvio.

- Controllare i cavi ed accertarsi che siano inseriti correttamente.

Il computer si avvia ma il mouse non funziona.

- Accertarsi che il mouse sia collegato correttamente.
- Assicurarsi che il mouse funzioni quando è collegato direttamente al computer. Per eseguire questa prova potrebbe essere necessario riavviare il sistema.
- Provare un altro mouse.
- Riavviare il computer che presenta l'anomalia mentre la porta è selezionata e attendere il caricamento del sistema operativo prima di passare a un altro computer.

Il computer si avvia ma il mouse non funziona.

- Se si è modificata o utilizzata la funzione hot swap nella configurazione KVM, accertarsi che tutti i computer collegati siano spenti. Quindi reinstallare lo Switch KVM come descritto nelle pagine da 8 a 10 di questo manuale.
- Assicurarsi di non avere più di un driver mouse installato. Accertarsi che il driver sia adatto ad un mouse standard PS/2 o USB oppure ad un mouse compatibile con Microsoft.
- Accertarsi che non siano installati altri driver del mouse nei file "CONFIG.SYS" oppure "AUTOEXEC.BAT".
- Evitare di muovere il mouse o di premere il pulsante del mouse durante la commutazione dello switch KVM.
- Riavviare il computer che presenta l'anomalia mentre la porta è selezionata e attendere il caricamento del sistema operativo prima di passare a un altro computer.

In questo manuale vengono utilizzate le seguenti definizioni:

AutoScan (Scansione automatica): Una modalità di funzionamento in cui lo switch KVM esegue una ricerca da una porta all'altra, su base costante, secondo le configurazioni dell'utente.

Console: Il termine unico che comprende tastiera, monitor video e mouse collegati ad uno switch KVM.

Porta console: Le prese per collegare la console allo switch KVM.

Comandi: Quando si parla di commutazione tra le porte, la voce controllo indica che la console è in grado di inviare i comandi al computer. La trasmissione dei comandi richiede che anche la console sia impostata sulla porta e la stia visualizzando.

KVM: Letteralmente "Keyboard Video Mouse" (tastiera, video, mouse), questo termine fa riferimento alla tecnologia che consente di controllare due o più computer tramite una tastiera, un monitor e un mouse. Alcuni switch basati sulla tecnologia KVM, consentono la condivisione di altre periferiche, quali altoparlanti, microfoni e stampanti.

Switch KVM: Un dispositivo che consente ad un utente di accedere e controllare diversi computer da un'unica console. Prevede almeno una porta per la console e diverse porte per i computer.

Porta: Una presa di interfaccia su un computer attraverso la quale si può collegare un dispositivo o il cavo di un dispositivo.

1

2

3

4

5

6

7

8

sezione

Dichiarazione FCC

DICHIARAZIONE DI CONFORMITÀ ALLE NORMATIVE FCC PER LA LA COMPATIBILITÀ ELETTROMAGNETICA

Noi sottoscritti, Belkin International, Inc., con sede al 501 West Walnut Street, Compton, CA 90220, dichiariamo sotto la nostra piena responsabilità che i prodotti:

F1DB102P2, F1DB104P2

ai quali questa dichiarazione fa riferimento, sono conformi all'art. 15 delle norme FCC. Le due condizioni fondamentali per il funzionamento sono le seguenti:

- (1) Il dispositivo non deve causare interferenze dannose e
- (2) Il dispositivo deve accettare qualsiasi interferenza ricevuta, comprese eventuali interferenze che possano causare un funzionamento anomalo.

Dichiarazione di conformità CE

Noi sottoscritti, Belkin International, Inc., dichiariamo sotto la nostra piena responsabilità che i prodotti F1DB102P2, F1DB104P2, ai quali questa dichiarazione fa riferimento, sono realizzati in conformità allo Standard sulle Emissioni EN550022 e alla Norma di Immunità EN550024, nonché agli standard LVP EN610003-2 e EN61000-3-3.

ICES

Questo apparecchio digitale di classe B è conforme allo standard canadese ICES-003. Cet appareil numérique de la classe B est conforme à la norme NMB-003 du Canada.

Garanzia limitata di 2 anni sul prodotto Belkin International, Inc.

Oggetto della garanzia.

Belkin International, Inc. ("Belkin") garantisce all'acquirente di questo prodotto Belkin che tale prodotto è esente da difetti di progettazione, montaggio, materiale e lavorazione.

Periodo di copertura della garanzia.

Belkin garantisce il prodotto Belkin per due anni.

Risoluzione di eventuali problemi.

Garanzia sul prodotto.

Belkin provvederà a riparare o sostituire gratuitamente, a propria discrezione, qualsiasi prodotto che dovesse risultare difettoso (escluse le spese di trasporto).

Condizioni non coperte dalla garanzia.

Tutte le garanzie di cui sopra saranno rese nulle qualora il prodotto Belkin non fosse fornito alla Belkin per essere sottoposto alle necessarie verifiche dietro esplicita richiesta di Belkin e a spese del cliente, oppure nel caso in cui la Belkin dovesse stabilire che il prodotto non è stato correttamente installato o che sia stato in qualche modo alterato o manomesso. La garanzia sul prodotto Belkin non copre danni da imputarsi a calamità naturali, tra cui allagamenti, fulmini, terremoti, guerre,

atti di vandalismo, furti, usura, erosione, assottigliamento, obsolescenza, abusi, danni dovuti ad interferenze di bassa tensione (tra cui parziali oscuramenti o abbassamenti di tensione), programmazione non autorizzata oppure modifiche o alterazioni all'apparecchiatura dell'impianto

Come usufruire del servizio di garanzia.

Per usufruire dell'assistenza per il proprio prodotto Belkin, è necessario:

1. Contattare la Belkin International, Inc. all'indirizzo 501 W. Walnut St., Compton CA 90220, att.: Customer Service, oppure chiamare il numero (800)-223-5546, entro 15 giorni dall'evento. Vi sarà richiesto di fornire le seguenti informazioni:

- a. Il codice del prodotto Belkin.
- b. Il luogo di acquisto del prodotto.
- c. La data di acquisto del prodotto.
- d. Copia della ricevuta originale.

2. Il rappresentante del Servizio Clienti Belkin vi spiegherà come inviare la ricevuta e il prodotto Belkin e come procedere con il reclamo.

Belkin si riserva il diritto di riesaminare il prodotto Belkin danneggiato. Tutte le spese di spedizione per il prodotto Belkin restituito alla Belkin sono a carico dell'acquirente. Se Belkin dovesse ritenere, a propria discrezione, che inviare l'apparecchio danneggiato non sia pratico, Belkin potrà decidere, a propria discrezione, di farlo ispezionare e determinare il costo della riparazione presso una struttura diversa dalla propria. In caso ci fossero delle spese di spedizione per inviare e ricevere l'apparecchio dopo l'ispezione, queste saranno a carico dell'acquirente. Eventuali apparecchi danneggiati dovranno essere mantenuti disponibili per eventuali verifiche fino alla risoluzione della richiesta di indennizzo. Al raggiungimento dell'accordo, Belkin si riserva il diritto di essere surrogato da eventuali polizze assicurative dell'acquirente.

Cosa stabilisce la legge riguardo alla garanzia.

LA PRESENTE GARANZIA COSTITUISCE LUNICA GARANZIA DI BELKIN. LA PRESENTE GARANZIA E LUNICA GARANZIA, ESPLICITA O IMPLICITA, DELLA BELKIN. SI ESCLUDE QUALSIASI GARANZIA IMPLICITA, DI COMMERCIALIZZABILITÀ E DI ATTITUDINE PER SCOPI PARTICOLARI CHE VANNO OLTRE QUESTA GARANZIA ESPLICITA SCRITTA.

Alcune giurisdizioni non consentono l'esclusione o la limitazione delle garanzie implicite o della responsabilità per i danni accidentali, pertanto i limiti di esclusione di cui sopra potrebbero non essere applicabili.

IN NESSUN CASO BELKIN POTRÀ ESSERE CONSIDERATA RESPONSABILE DI ALCUN DANNO DIRETTO, INDIRETTO, ACCIDENTALE, SPECIFICO O DANNI MULTIPLI TRA I QUALI, MA NON LIMITATI A, EVENTUALI DANNI DI MANCATI AFFARI O MANCATO GUADAGNO DERIVATI DALLA VENDITA O UTILIZZO DI QUALSIASI PRODOTTO BELKIN, ANCHE NEL CASO IN CUI SI FOSSE STATI INFORMATI DELLA POSSIBILITÀ DI TALI DANNI.

Questa garanzia consente di godere di diritti legali specifici e di eventuali altri diritti che possono variare di stato in stato. Alcune giurisdizioni non consentono l'esclusione o la limitazione delle garanzie implicite o della responsabilità per i danni accidentali, pertanto i limiti di esclusione di cui sopra potrebbero non fare al caso vostro.

1

2

3

4

5

6

7

8

sezione

BELKIN®

OmniView® Serie E Switch KVM

BELKIN®

www.belkin.com

Assistenza tecnica Belkin

REGNO UNITO: 0845 607 77 87

Europa: www.belkin.com/support

Belkin Ltd.

Express Business Park
Shipton Way, Rushden
NN10 6GL, Regno Unito
+44 (0) 1933 35 2000
+44 (0) 1933 31 2000 fax

Belkin SAS

130 rue de Sully
92100 Boulogne-Billancourt
Francia
+33 (0) 1 41 03 14 40
+33 (0) 1 41 31 01 72 fax

Belkin B.V.

Boeing Avenue 333
1119 PH Schiphol-Rijk
Paesi Bassi
+31 (0) 20 654 73 00
+31 (0) 20 654 73 49 fax

Belkin Iberia

Avda. Cerro del Aguila 3
28700 San Sebastián de los Reyes
Spagna
+34 91 625 80 00
+34 902 02 00 34 fax

Belkin GmbH

Hanebergstrasse 2
80637 Monaco di Baviera
Germania
+49 (0) 89 14 34 05 0
+49 (0) 89 14 34 05 100 fax

Belkin Svezia

Knarramäsgatan 7
164 40 Kista
Svezia
+46 (0) 8 5229 1870
+46 (0) 8 5229 1874 fax