

Bushnell®

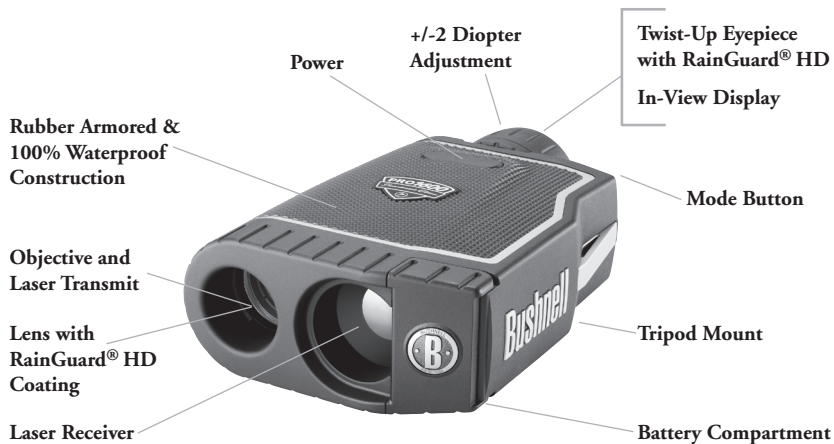


Model: 205105/205106
LIT. #: 98-1342/12-08

CONTENTS

English	2 - 14
Français	15 - 28
Español	29 - 42
Deutsch	43 - 56
Italiano	57 - 70
Português	71 - 84

Congratulations on your purchase of the Bushnell® Pro™ 1600 Laser Rangefinder, our top of the line laser rangefinder for golfers and used by more golf professionals than any other brand. The Pro™ 1600 is a precision Laser Ranging optical instrument designed to provide many years of enjoyment. This booklet will help you achieve optimum performance by explaining its adjustments and features as well as how to care for this precise laser ranging optical instrument. To ensure optimal performance and longevity, please read these instructions before using your Pro™ 1600.



INTRODUCTION

Your Bushnell® Pro™ 1600 is an advanced premium laser rangefinder comprised of Digital Technology allowing range readings from 5-1600 yards / 5-1463meters. Measuring 1.7 x 5.1 x 3.7 inches, the 12-ounce Pro™ 1600 delivers superb and accurate range performance to +/- one yard. The Pro™ 1600 features Selective Targeting™ Modes, Superb Optical Quality, 100% Waterproof Construction, and Bushnell's RainGuard® HD coating.

HOW OUR DIGITAL TECHNOLOGY WORKS

The Pro™ 1600 emits invisible, eye safe, infrared energy pulses. The Pro™ 1600's Advanced Digital microprocessor and ASIC chip (Application-Specific Integrated Circuit) results in instantaneous and accurate readings every time. Sophisticated digital technology instantaneously calculates distances by measuring the time it takes for each pulse to travel from the rangefinder, to the target, and back.

RANGING ACCURACY

The ranging accuracy of the Pro™ 1600 is plus or minus one yard / meter under most circumstances. The maximum range of the instrument depends on the reflectivity of the target. The maximum distance for most objects is 1000 yards / 914 meters while for highly reflective objects the maximum is 1600 yards / 1463 meters. Note: You will get both longer and shorter maximum distances depending on the reflective properties of the particular target and the environmental conditions at the time the distance of an object is being measured.

The color, surface finish, size and shape of the target all affect reflectivity and range. The brighter the color, the longer the range. Red is highly reflective, for example, and allows longer ranges than the color black, which is the least reflective color. A shiny finish provides more range than a dull one. A small target is more difficult to range than a larger target. The angle to the target also has an effect. Shooting to a target at a 90 degree angle (where the target surface is perpendicular to the flight path of the emitted energy pulses) provides good range while a steep angle on the other hand, provides limited ranging. In addition, lighting conditions (e.g. the amount of sunlight) will affect

the ranging capabilities of the unit. The less light (e.g. overcast skies) the farther the unit's maximum range will be. Conversely, very sunny days will decrease the unit's maximum range.

GETTING STARTED

INSERTING THE BATTERY

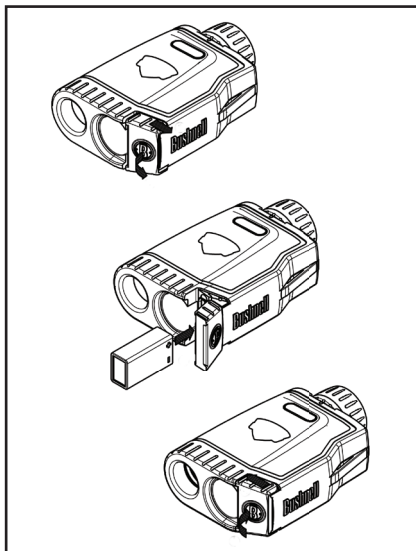
First slide the door toward outside. The hinged door can now be opened. Insert one 9-volt alkaline battery into the slot as indicated, then close the battery door and slide until it locks in to place. The battery slot was designed to only accept the battery in the correct position. Therefore, if you are not able to close the batter door, check to ensure that the battery has been installed correctly.

NOTE: Use only high quality alkaline batteries. Do not use heavy duty or lithium batteries. It is recommended that the battery be replaced at least once every 12 months.

Low Battery Indicator: If the Y (Yards) or M (Meters) indicator blinks continuously or "loB" is displayed within the In-view readout, the battery charge is getting low and the 9-volt alkaline battery should be replaced.

ADJUSTING THE EYEPIECE

Your Pro™ 1600 is constructed with a twist-up eyepiece 4 designed for comfort and to exclude extraneous light. For users



without eyeglasses, rotate the eyecup counter clockwise while pulling up until it locks into the fully “up” position. The Pro™ 1600 provides extra long eye-relief. If you wear glasses, make sure the eyecup is in the down position as this will bring your eye closer the eyepiece lens allowing you to see a full field of view. To lower the eyecup from the full “up” position, rotate clockwise while pushing down slightly. It is also possible to set the eyecup to positions “in between”, fully up and full down, which may suit some individuals better.

The Pro™ 1600 is also equipped with an adjustable eyepiece (+/- 2 Diopter Adjustment) that allows one to focus the LCD display relative to the image. Simply rotate the diopter setting until the LCD is in focus.

OPERATIONAL SUMMARY

While looking through the 7x eyepiece, depress the power button once to activate the in-view Liquid Crystal Display (LCD). Place the aiming circle (located in the center of the field of view) upon a target at least 5 yards away, depress and hold the power button down until the range reading is displayed near the bottom of the in-view display. Crosshairs surrounding the aiming circle indicate that the laser is being transmitted. Once a range has been acquired, you can release the power button. The crosshairs surrounding the aiming circle will disappear once the power button has been released (i.e. the laser is no longer being transmitted). Note: Once activated, the Pro™ 1600's LCD will remain active and display the last distance measurement for 30 seconds. You can depress the power button again at any time to distance to a new target. As with any laser device, it is not recommended to directly view the emissions for long periods of time with magnified lenses. The maximum time the laser is transmitted (fired) is 10 seconds. To re-fire, press the button down again.

LIQUID CRYSTAL DISPLAY (LCD) INDICATORS

Your Pro™ 1600's LCD incorporates illuminated indicators that advise the user unit of measure, when the laser is actively firing, when a target has been acquired, and targeting modes. A summary of these features is presented below:

UNIT OF MEASURE OPTIONS


The Pro™ 1600 can be used to measure distances in yards or meters. The unit of measure indicators are located in the lower right portion of the LCD. To select between yards and meters, quickly press and release the POWER button to turn on the unit (on top of the unit), look through the eyepiece, depress the “MODE” button (left side of the eyepiece) and hold it down for approximately 5 seconds. If you are changing from yards to meters, a change in unit of measure will be indicated by the illumination of the M for meter indicator while the Y for Yard indicator is turned off. If you are changing from meters to yards, the opposite will occur. The Pro™ 1600 will return to the last unit of measure setting used each time the unit is turned on.

ACTIVE LASER

Crosshairs surrounding the aiming circle indicate that the laser is being transmitted. Once a range has been acquired, you can release the power button. The crosshairs surrounding the circle will disappear once the power button has been released (i.e. the laser is no longer being transmitted).

SELECTIVE TARGETING™ MODES

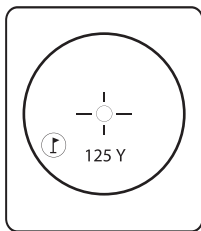
The Pro™ 1600 was especially designed with golfers in mind. The selective targeting modes allow you to adjust the performance parameters of the unit to suit your specific situation and environment. To move from one mode to another, press the POWER button once to turn on the unit. While looking through the eyepiece, press the MODE button and quickly release. The different targeting modes available and mode indicators are listed below:

PinSeeker (LCD Indicator - ) Ever have trouble getting distance to the flag? This advanced mode allows easy acquisition of the flag without inadvertently getting distances to background targets (i.e. trees) that have stronger signal strength.

Once in this mode, press the POWER button to turn the unit on. Next, align the aiming circle reticle onto the flag that you want distance to. Next, press and hold the POWER button and move the laser slowly over the flag or desired object until a circle surrounds the flag indicator. If the laser beam recognized more than one object (i.e. flag and background trees), distance of the flag will be displayed and a circle will surround the PinSeeker indicator informing the user that distance to the flag (i.e. closer object) is being displayed in the LCD (as seen below). There may be times when only the laser beam only sees one object in its path. In this case, the distance will be displayed, but because more than one object was not acquired, a circle will not surround the flag indicator.

TIP: While pressing the POWER button, you can move the device slowly from object to object and intentionally force the laser to hit multiple objects to ensure that you are only displaying the closest of the objects recognized by the laser.

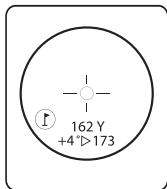
Once the device has shut off, the unit will always default back to the last mode used.



PinSeeker with Slope +/-™ (LCD Indicator - °▷) This advanced mode will be found only on model 20-5106 (Pro™ 1600 with Slope +/-™). Model 20-5106 features a built-in accelerometer-based inclinometer that digitally displays the exact slope angle from -20 to +20 degrees of elevation and is +/- 1.0 degree accurate. The Slope +/-™ mode will automatically compute an angle compensated range based upon distance and slope angle determined by the laser rangefinder and built-in inclinometer. This data is then combined with internal algorithmic formulas dealing with average club use and ball trajectories. The angle compensated range provides direction on how to play the shot (i.e. add distance if an incline, subtract distance if a decline).

How to use Slope +/-™

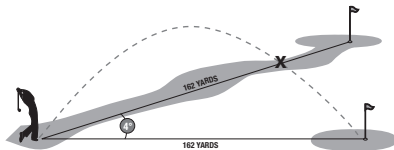
Once in this mode, you will see a “°▷” in the field of view informing you that you are in the Slope +/- Mode. Press the POWER button to obtain distance to the flag or other objects. Once the range is displayed, continue to hold the POWER button down for approximately 2 seconds while holding the aiming circle on the flag and keeping the unit as steady as possible so as to allow the inclinometer enough time to measure slope. Then release the POWER button. Once you have released the power button, a degree of angle and compensated range will be displayed beneath the standard distance as seen below.



In this example, the true distance is 162 yards, slope is +4 degrees, and the compensated range is 173 yards. The “▷” symbol means “Play-As”, so instead of playing as 162 yards, “play-as” 173 yards.

The Advantage of Slope+/-™

The distance to flag A in the drawing below is 162 yards. It is also 162 yards to flag B although it is on a slope. However, if you were to play this hole as 162 yards, the ball (X) would fall short of the hole/flag because you did not take slope into account.



The Truth about Slopes

Trying to determine slope angle with the naked eye can be rather deceiving. Most are not well versed to accurately determine slope angle. For example, most golf courses average slope is approximately 4 degrees. A large slope at a golf course is generally no more than 8 degrees. Of course this can vary, and that is why this device will measure slope from -20 to 20 degrees.

Some real world examples may help clarify. A moderate roof pitch is 6/12, which means that the roof rises six inches for every 12 inch horizontal distance. That equates to 26.5 degrees. You can scramble up this pitch when hanging Christmas lights, but climbing that slope for the distance of a good golf shot on a course would be exhausting. To retrieve a 200 yards shot, you would climb 300 feet up!

Golf Example: Let's say you are a strong golfer with a 300 yard shot. At a 20 degree slope the Pin would be 50 feet above you. In other words, you be driving the ball to the top of a 5 story building!!!

NOTE: For your convenience, the Slope +/-™ Mode also contains the PinSeeker® Mode/feature. If at any time you prefer not to use the Slope +/-™ Mode, simply press the MODE button to get to PinSeeker® or Standard with Automatic SCAN Mode.™

Standard with Automatic SCAN: This setting allows most targets to be distanced up to 1600 yards. Used for moderately reflective targets that are typical of most distancing situations. The minimum distance in the standard mode is 5 yards. To use the Automatic SCAN feature, simply hold down on the POWER button for approximately 3 seconds and SCAN the rangefinder from object to object while leaving the POWER button depressed. Automatic SCAN will allow the range and display to be continuously updated very rapidly as multiple objects are targeted.

OPTICAL DESIGN

Magnification and Coatings

The Pro™ 1600 features a powerful 7x magnification monocular for viewing your target. Optics are Fully Multi-Coated allowing maximum light transmission for optimum brightness, superb resolution and contrast for a clear vivid image even in low light conditions such as dusk or dawn. A liquid crystal display (LCD) is mounted within the optical system and when activated, displays a reticle for targeting, yards / meters, and Mode indicators. Inherent in the manufacturing process are small black spots that appear in the optical system. These are a natural characteristic of the LCD and cannot be fully eliminated in the manufacturing process. They do not affect the distancing performance of the unit.

RainGuard® HD

The outer surfaces of the objective and eyepiece lenses are RainGuard® HD coated. RainGuard® HD is Bushnell's permanent, patented, hydrophobic (water repellent) lens coating that prevents fogging by causing condensation from rain, sleet, snow or even your own breath to bead up into much smaller droplets than on standard coatings. Smaller uniform droplets scatter less light which results in a clearer, brighter view.

TRIPOD MOUNT

Molded into the bottom of our is a threaded tripod mount that will allow you to attach to the following Bushnell Golf Accessories:

Golf Cart Mount: Attaches the rangefinder to your golf cart for easy access. Quick release clamp attaches to golf cart and can be easily removed afterwards.

Push/Pull Cart Monopod: Steady your hand with this telescoping monopod. Simply attach rangefinder to the monopod and insert into cart umbrella holder.

SPECIFICATIONS:

Dimensions: Measuring 1.7 x 5.1 x 3.7 inches

Weight: 12 oz.

Ranging Accuracy: +/- 1 yard

Range: 5-1600 Yards / 5-1463 Meters

Magnification: 7x

Objective Diameter: 26 mm

Optical Coatings: Fully Multi-Coated

Display: LCD

Power Source: 9-volt alkaline battery (user supplied)

Field Of View: 340 ft. @ 1000 yards

Extra Long Eye Relief: 19mm

Exit Pupil: 3.7 mm

100% Water Proof Construction

RainGuard® HD Coating

Built-In Tripod Mount

Includes case and strap

Patent #'s: 6,445,444 | 5,612,779 | 6,057,910 | 6,226,077 | 6,542,302 | 7,239,377 (205106)

CLEANING

Gently blow away any dust or debris on the lenses (or use a soft lens brush). To remove dirt or fingerprints, clean with a soft cotton cloth, rubbing in a circular motion. Use of a coarse cloth or unnecessary rubbing may scratch the lens surface and eventually cause permanent damage. For a more thorough cleaning, photographic lens tissue and photographic-type lens cleaning fluid or isopropyl alcohol may be used. Always apply the fluid to the cleaning cloth – never directly on the lens.

TWO-YEAR LIMITED WARRANTY

Your Bushnell product is warranted to be free of defects in materials and workmanship for two years after the date of purchase. In the event of a defect under this warranty, we will, at our option, repair or replace the product, provided that you return the product postage prepaid. This warranty does not cover damages caused by misuse, improper handling, installation, or maintenance provided by someone other than a Bushnell Authorized Service Department.

Any return made under this warranty must be accompanied by the items listed below:

- 1) A check/money order in the amount of \$10.00 to cover the cost of postage and handling
- 2) Name and address for product return
- 3) An explanation of the defect
- 4) Proof of Date Purchased
- 5) Product should be well packed in a sturdy outside shipping carton, to prevent damage in transit, with return postage prepaid to the address listed below:

IN U.S.A. Send To:

Bushnell Outdoor Products
Attn.: Repairs
8500 Marshall Drive
Lenexa, Kansas 66214

IN CANADA Send To:

Bushnell Outdoor Products
Attn.: Repairs
25A East Pearce Street, Unit 1
Richmond Hill, Ontario L4B 2M9

For products purchased outside the United States or Canada please contact your local dealer for applicable warranty information. In Europe you may also contact Bushnell at:

Bushnell Outdoor Products GmbH
European Service Centre
MORSESTRASSE 4
D- 50769 KÖLN
GERMANY
Tél: +49 (0) 221 709 939 3
Fax: +49 (0) 221 709 939 8

This warranty gives you specific legal rights.

You may have other rights which vary from country to country.

©2008 Bushnell Outdoor Products

TROUBLE SHOOTING TABLE

If unit does not turn on - LCD does not illuminate:

- Depress power button.
- Check and if necessary, replace battery.

If unit does not respond to key presses, replace the battery with a good quality 9 volt alkaline battery.

If unit powers down (display goes blank when attempting to power the laser):

- The battery is either weak or low quality. Replace the battery with a good quality 9 volt alkaline battery. Heavy Duty alkaline batteries are NOT recommended.

If target range cannot be obtained:

- Make sure LCD is illuminated.
- Make sure that the power button is being depressed.
- Make sure that nothing, such as your hand or finger, is blocking the objective lenses (lenses closest to the target) that emit and receive the laser pulses.
- Make sure unit is held steady while depressing power button.

NOTE: The last range reading does not need to be cleared before ranging another target. Simply aim at the new target using the LCD's reticle, depress the power button and hold until new range reading is displayed.

Specifications, instructions, and the operation of these products are subject to change without notice.

FCC NOTE

This equipment has been tested and found to comply with the limits for a Class B digital device, pursuant to Part 15 of the FCC Rules. These limits are designed to provide reasonable protection against harmful interference in a residential installation. This equipment generates, uses and can radiate radio frequency energy and, if not installed and used in accordance with the instructions, may cause harmful interference to radio communications. However, there is no guarantee that interference will not occur in a particular installation. If this equipment does cause harmful interference to radio or television reception, which can be determined by turning the equipment off and on, the user is encouraged to try to correct the interference by one or more of the following measures:

- Reorient or relocate the receiving antenna.
- Increase the separation between the equipment and receiver.
- Connect the equipment into an outlet on a circuit different from that to which the receiver is connected.
- Consult the dealer or an experienced radio/TV technician for help.

Shielded interface cable must be used with the equipment in order to comply with the limits for a digital device pursuant to Subpart B of Part 15 of FCC Rules.

Specifications and designs are subject to change without any notice or obligation on the part of the manufacturer.

Bushnell®

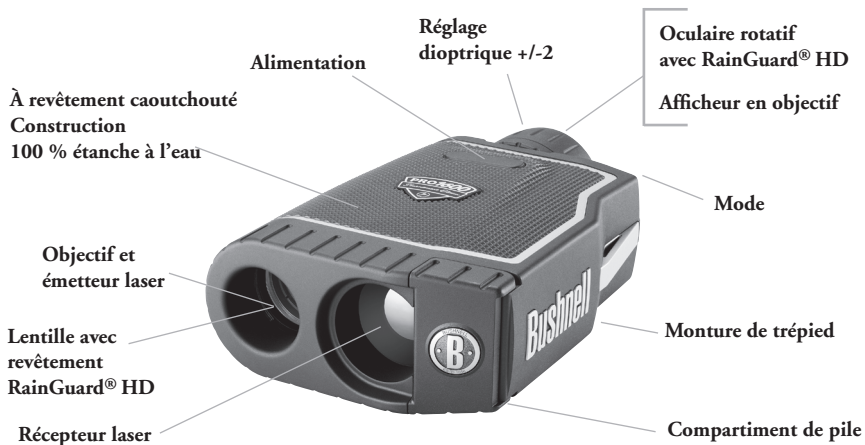
SER RANGEFINDERS



Model: 205105/205106
LIT. #: 98-1342/12-08

FRANÇAIS

Félicitations pour l'achat de votre Télémètre Laser Bushnell® Pro™ 1600 , notre télémètre laser le plus performant pour les golfeurs et utilisé par plus de golfeur que toute autre marque. Le modèle Pro™ 1600 est un instrument optique à laser de précision, conçu pour fournir de nombreuses années de service agréable. Ce livret vous permettra d'obtenir les performances optimales du télémètre à laser précis car il décrit ses caractéristiques, ses réglages et son entretien. Il est recommandé de lire ces instructions avant d'utiliser le PINSEEKER®1500 afin d'en obtenir les performances les meilleures et la plus longue durée de service possible.



INTRODUCTION

Le modèle Pro™ 1600 Bushnell® est un télémètre à laser de pointe, de haute qualité, utilisant une technologie numérique pour effectuer des mesures de distances comprises entre 5 et 1463 mètres (5 et 1600 yards). Mesurant juste 4,3 x 12,9 x 9,3 cm, pesant à peine 340 g, le télémètre Pro™ 1600 permet une étonnante mesure des distances avec une précision de +/- 1 m. Avec ses modes de ciblage Selective Targeting™, il dispose d'une qualité optique admirable, d'une construction 100 % étanche à l'eau et du revêtement RainGuard® HD Bushnell.

EN QUOI CONSISTE NOTRE TECHNOLOGIE NUMÉRIQUE

Le modèle Pro™ 1600 émet des pulsions d'énergie infrarouge invisibles et sans danger pour les yeux. Le microprocesseur numérique et la puce ASIC (circuit intégré spécifique d'application) sophistiqués du modèle Pro™ 1600 produisent chaque fois des relevés de distance instantanés et exacts. La technologie numérique sophistiquée permet de calculer instantanément les distances en mesurant le temps mis par chaque pulsion pour aller du télémètre à la cible et en revenir.

PRÉCISION DE L'ÉVALUATION DES DISTANCES

La précision de l'évaluation des distances par le Pro™ 1600 est de plus ou moins un mètre/yard, dans la plupart des cas. La plage d'évaluation maximale de l'instrument dépend de la réflectivité de la cible. Pour la plupart des objets, la distance maximale est de 914 mètres (1 000 yards), mais elle peut aller jusqu'à 1463 mètres (1600 yards) pour des objets très réfléchissants. Remarque: Les distances maximales sont plus longues ou plus courtes selon les propriétés de réflectivité des cibles et selon les conditions de l'environnement au moment des mesures.

La couleur, le fini de surface, la taille et la forme de la cible affectent sa réflectivité et la plage de mesure. Plus la couleur est vive, plus la plage est longue. Par exemple, le rouge est très réfléchissant et permet des plages plus longues que le noir qui est la couleur la moins réfléchissante. Un fini brillant permet une plage plus longue qu'un fini mat. L'évaluation de la distance d'une cible de petite taille est plus difficile que celle d'une cible de grande taille. L'angle de la cible a aussi un effet. La visée d'une cible à un angle de 90 degrés (lorsque la surface de la cible est perpendiculaire au trajet des pulsions d'énergie émises) permet une bonne plage de mesure alors que la visée d'une cible à angle aigu réduit cette plage. En outre, l'éclairage (quantité de lumière solaire par exemple) affecte également les capacités

d'évaluation de l'instrument. Moins il y a de lumière (ciel couvert par exemple), plus la plage maximale s'allonge. Inversement, par grand soleil, la plage maximale diminue.

POUR COMMENCER

MISE EN PLACE DE LA PILE

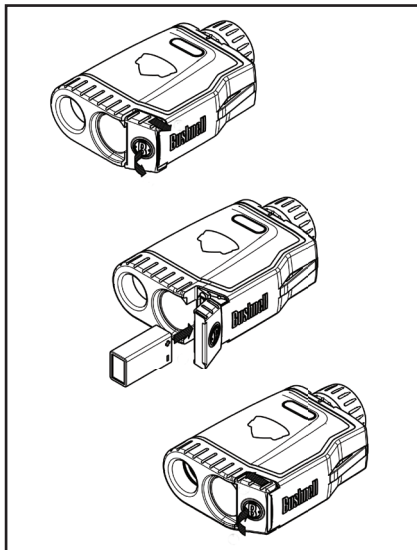
Tout d'abord faire glisser le couvercle vers l'extérieur. Le volet peut maintenant s'ouvrir. Insérer une pile alcaline de 9 volt dans l'emplacement comme indiqué, ensuite fermer le couvercle batterie et le faire glisser jusqu'à temps qu'il soit verrouillé dans sa position. Le compartiment à pile a été conçu pour contenir la pile uniquement lorsqu'elle est placée dans une position correcte. Toutefois, si vous ne pouvez pas fermer le couvercle de la pile, vérifiez que la pile n'a pas été placée de manière incorrecte.

REMARQUE : Utilisez uniquement des piles alcalines de haute qualité. N'utilisez pas de piles à usage intensif ni de piles au lithium. Il est recommandé de remplacer la pile au moins une fois tous les 12 mois.

Indicateur de pile faible: Si l'indicateur Y (yards) ou M (mètres) clignote continuellement, cela indique que la charge de la pile est bientôt insuffisante et qu'il est temps de remplacer la pile alcaline de 9 volts.

RÉGLAGE DE L'OCULAIRE

Pour être confortable et éliminer la lumière superflue, le modèle Pro™ 1600 est doté d'un oculaire rotatif. Pour les utilisateurs



qui ne portent pas de lunettes, tournez l'ocillon dans le sens inverse des aiguilles d'une montre tout en le tirant, jusqu'à ce qu'il reste en position complètement relevée. Le Pro™ 1600 fournit un dégagement oculaire extra long. Si vous portez des lunettes, vérifiez que l'ocillon est abaissé ; cette position permet à l'œil d'être plus proche de la lentille pour voir ainsi la largeur de champ maximale. Pour abaisser l'ocillon à partir de sa position complètement relevée, tournez-le dans le sens des aiguilles d'une montre tout en poussant légèrement vers le bas. Il est également possible de le placer en position intermédiaire, entre la position de relevage maximal et celle d'abaissement maximal, ce qui peut mieux convenir à certaines personnes.

Le modèle Pro™ 1600 est aussi équipé d'un oculaire réglable (réglage dioptrique +/- 2) qui permet d'effectuer la mise au point de l'afficheur LCD par rapport à l'image. Il suffit de tourner la bague de réglage dioptrique jusqu'à ce que l'afficheur LCD soit au point.

MODE D'EMPLOI EN BREF

Tout en regardant dans l'oculaire à grossissement de 7 x, appuyez une fois sur le bouton de marche pour activer l'afficheur à cristaux liquides (LCD) intégré. Placez le cercle de visée (situé au centre du champ de vision) sur une cible se trouvant à au moins 5 mètres (5 yards); maintenez le bouton de marche enfoncé jusqu'à ce que la mesure de distance soit affichée près du bas de l'afficheur intégré. La croisée de fils entourant le cercle de visée indique que le rayonnement laser est en cours de transmission. Une fois la mesure de distance acquise, vous pouvez relâcher le bouton de marche. La croisée de fils entourant le cercle de visée disparaît une fois que le bouton de marche a été relâché (c'est-à-dire que le rayonnement laser n'est plus en cours de transmission). Remarque: Une fois activé, l'afficheur LCD du Pro™ 1600 reste actif et indique le dernier relevé de distance pendant 30 secondes. Vous pouvez appuyer de nouveau sur le bouton de marche à tout moment pour viser une autre cible. Comme avec tout dispositif à laser, il est déconseillé d'observer directement les émissions avec des lentilles grossissantes, pendant une période prolongée. La durée maximale pendant laquelle le rayonnement laser est transmis est de 10 secondes. Pour viser à nouveau, appuyez sur le bouton.

INDICATEURS DE L'AFFICHEUR À CRISTAUX LIQUIDES (LCD)

L'afficheur LCD du Pro™ 1600 comporte des indicateurs lumineux qui avertissent l'utilisateur: unité de mesure choisie, moment où le rayonnement laser est émis, moment où la distance à la cible est acquise et modes de ciblage. Consultez ci-dessous le résumé de ces caractéristiques :

CHOIX D'UNITÉS DE MESURE


Le modèle Pro™ 1600 peut mesurer les distances en mètres ou en yards. Les indicateurs d'unités de mesure se trouvent à la partie inférieure droite de l'afficheur. Pour choisir entre les yards et les mètres, appuyez brièvement sur le bouton de MARCHE (sur le haut de l'instrument) pour l'activer ; regardez à travers l'oculaire et maintenez le bouton MODE (côté gauche de l'oculaire) enfoncé pendant environ 5 secondes. Lors du passage des yards aux mètres, un changement d'unité de mesure est indiqué par l'allumage de la lettre M pour MÈTRE alors que l'indicateur Y pour YARD s'éteint. Lors du passage des mètres aux yards, c'est l'inverse qui se produit. Le Pro™ 1600 revient au dernier réglage utilisé chaque fois qu'il est remis en marche.

LASER ACTIF

La croisée de fils entourant le cercle de visée indique que le rayonnement laser est en cours de transmission. Une fois la mesure de distance acquise, vous pouvez relâcher le bouton de marche. La croisée de fils entourant le cercle de visée disparaît une fois que le bouton de marche a été relâché (c'est-à-dire que le rayonnement laser n'est plus en cours de transmission).

MODES DE CIBLAGE SÉLECTIF (SELECTIVE TARGETING™)

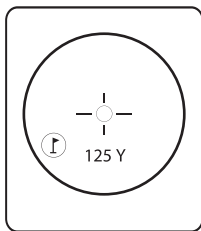
Le modèle Pro™ 1600 a été spécialement conçu pour les golfeurs. Les modes de ciblage sélectif permettent d'ajuster les paramètres de fonctionnement de l'instrument à la situation et à l'environnement présents. Pour passer d'un mode à un autre, appuyez une fois sur le bouton de MARCHE pour activer l'instrument. Tout en regardant dans l'oculaire, appuyez brièvement sur le bouton MODE. Les différents modes de ciblage disponibles et indicateurs de modes sont décrits ci-dessous :

PinSeeker (indicateur d'affichage – ) Est-il difficile de connaître la distance jusqu'au drapeau? Ce mode perfectionné permet une acquisition facile de la distance jusqu'au drapeau sans obtenir par erreur la distance d'autres cibles d'arrière-plan (arbres, par ex.) qui ont un signal plus fort.

Une fois dans ce mode, appuyez sur le bouton de MARCHE pour activer l'instrument. Puis alignez le réticule du cercle de visée sur le drapeau dont vous voulez connaître la distance. Ensuite, maintenez enfoncé le bouton de MARCHE et déplacez lentement le télémètre sur le drapeau ou l'objet en question jusqu'à ce qu'un cercle entoure l'indicateur du drapeau. Si le rayonnement laser reconnaît plusieurs objets (par ex. un drapeau et des arbres à l'arrière-plan), la distance au drapeau est affichée et un cercle entoure l'indicateur PinSeeker, informant l'utilisateur que la distance au drapeau (par ex. l'objet le plus proche) apparaît à l'afficheur LCD (comme indiqué ci-dessous). Il peut y avoir des cas où le rayonnement laser ne voit qu'un seul objet sur sa trajectoire. La distance est alors affichée mais comme plusieurs objets n'ont pas été détectés, l'indicateur du drapeau n'est pas entouré d'un cercle.

CONSEIL: Tout en appuyant sur le bouton de MARCHE, vous pouvez déplacer lentement l'instrument d'un objet à un autre et forcer ainsi le rayonnement laser à toucher plusieurs objets, pour vérifier que seule la distance des objets les plus proches reconnus par le rayonnement laser est affichée.

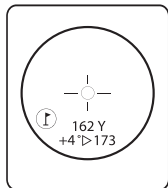
Une fois que le dispositif s'est éteint, l'appareil revient toujours par défaut au dernier mode utilisé.



PinSeeker with Slope +/-™ (Indicateur d'affichage - ° ▷) Ce mode perfectionné ne se trouve que sur le modèle 20-5106 (Pro™ 1600 with Slope +/-™). Le modèle 20-5106 est doté d'un inclinomètre à base d'accéléromètre intégré qui permet l'affichage numérique de l'angle de pente exact, de -20 à +20 degrés d'élévation, avec une précision de +/- 1,0 degré. Le mode Slope +/-™ calcule automatiquement la distance compensée par l'angle en fonction des mesures de distance et d'angle de pente déterminées par le télémètre à laser et l'inclinomètre intégré. Ces données sont alors combinées avec des formules algorithmiques internes concernant l'utilisation moyenne des clubs et les trajectoires des balles. La mesure de distance compensée par l'angle renseigne sur la manière de jouer (c'est-à-dire ajouter de la distance s'il s'agit d'une montée, soustraire de la distance s'il s'agit d'une descente).

Comment utiliser Slope +/-™

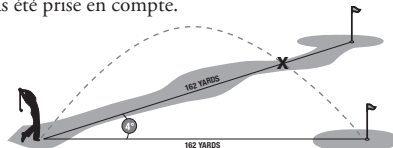
Une fois dans ce mode, vous voyez “ ° ▷ ” dans le champ de vision, ce qui indique que vous êtes au mode Slope +/- (pente). Appuyez sur le bouton de MARCHE pour obtenir la distance jusqu'au drapeau ou jusqu'à d'autres objets. Une fois la distance affichée, continuez à appuyer sur le bouton de MARCHE pendant environ 2 secondes, tout en maintenant le cercle de visée sur le drapeau et l'instrument aussi immobile que possible, pour donner à l'inclinomètre le temps nécessaire à la mesure de la pente. Relâchez alors le bouton de MARCHE. Une fois que vous avez relâché le bouton de marche, une mesure d'angle en degrés et une distance compensée sont affichées sous la distance standard, comme représenté ci-dessous.



Dans cet exemple, la distance réelle est de 162 yards, la pente de +4 degrés et la distance compensée de 173 yards. Le symbole “ ▷ ” signifie « jouer comme » ; par conséquent, au lieu de jouer comme 162 yards, « jouer comme » 173 yards.

L'avantage de Slope+/-™

Dans le schéma ci-dessous, la distance jusqu'au drapeau A est de 162 yards. Elle est aussi de 162 yards jusqu'au drapeau B mais elle est sur une pente. Si vous deviez jouer ce coup comme 162 yards, la balle (X) ne parviendrait pas au trou/drapeau parce que la pente n'a pas été prise en compte.



La vérité sur les pentes

La vision de l'angle de pente à l'œil nu est souvent trompeuse. La plupart d'entre nous ne sommes pas entraînés à déterminer avec précision l'angle d'une pente. Par exemple, sur la plupart des terrains de golf, la pente moyenne est d'environ 4 degrés. Une grande pente d'un terrain de golf n'est généralement pas de plus de 8 degrés. Bien sûr, les terrains varient et c'est pourquoi cet instrument peut mesurer les pentes allant de -20 à +20 degrés.

Voici pour clarifier quelques exemples simples : L'inclinaison modérée d'un toit est de 6/12, ce qui signifie que le toit s'élève de six pouces (15 cm) pour 12 pouces (30 cm) de distance horizontale. Ceci correspond à 26,5 degrés. Vous pouvez escalader cette inclinaison pour suspendre des éclairages de Noël, mais la montée de cette pente sur la distance d'un bon coup, sur un terrain de golf, serait épuisante. Pour récupérer un coup de 182 m (200 yards), il vous faudrait monter de 91 m (300 pieds) !

Exemple de golf : Supposons que vous êtes bon golfeur avec un coup de 274 m (300 yards). Avec une pente de 20 degrés, le drapeau de trou serait 15 m (50 pieds) au-dessus de vous. Autrement dit, vous devriez envoyer la balle en haut d'un bâtiment de 5 étages !

REMARQUE : Pour votre commodité, le mode Slope +/-™ contient aussi le mode/la fonction PinSeeker®. Si, à un moment quel qu'il soit, vous préférez ne pas utiliser le mode Slope +/-™, appuyez simplement sur le bouton MODE pour passer à PinSeeker® ou Standard with Automatic SCAN Mode.™

Standard avec exploration automatique (SCAN) — Ce réglage permet la mesure de distances de cibles jusqu'à 1463 m (1600 yd). Utilisé pour des cibles modérément réfléchissantes, typiques de la plupart des situations. La distance minimum au mode standard est de 5 mètres (5 yards). Pour utiliser la fonction d'exploration automatique SCAN, maintenez simplement le bouton de MARCHÉ enfoncé pendant environ 3 secondes et déplacez le télémètre d'un objet à un autre tout en continuant à appuyer sur le bouton de MARCHÉ. Cette fonction permet l'évaluation et l'affichage mis à jour très rapidement des distances de cibles en continu, à mesure que de multiples objets sont visés.

CONCEPTION OPTIQUE

Grossissement et traitements

Le modèle Pro™ 1600 dispose d'un puissant monoculaire à grossissement de 7 x pour la visée des cibles. Les éléments optiques sont traités multicouches toutes surfaces, procurant une transmission maximale de la lumière, pour une luminosité optimale, une résolution et un contraste remarquables, offrant des images claires même en situations de faible luminosité, comme au crépuscule ou à l'aube. Un afficheur à cristaux liquides (LCD) est monté à l'intérieur du système optique ; une fois activé, il présente un réticule pour la visée, des indicateurs d'unités de mesure (mètres ou yards) et des indicateurs de mode. De petits points noirs, inhérents au procédé de fabrication, sont visibles dans le système optique. Ils constituent une caractéristique naturelle de l'afficheur à cristaux liquides et ne peuvent être totalement éliminés lors de la fabrication. Ils n'affectent d'aucune manière l'évaluation des distances par l'instrument.

RainGuard

Les surfaces extérieures des lentilles de l'objectif et de l'oculaire sont enduites de RainGuard® HD. RainGuard® HD est le revêtement de lentille permanent, hydrofuge (qui repousse l'eau), breveté de Bushnell qui empêche la formation de buée en transformant la condensation due à la pluie, au grésil, à la neige ou même au souffle de l'utilisateur en gouttelettes bien plus petites que sur des revêtements standards. Les gouttelettes uniformes, plus fines diffusent moins de lumière et l'on obtient ainsi une image plus claire et plus lumineuse.

ADAPTATEUR TRÉPIED

Un support de trépied fileté est moulé au bas de votre Pro 1600 et vous permettra d'attacher les Accessoires de Golf Bushnell suivant:

Support de la Voiturette de Golf: Fixer le télémètre à votre voiturette de golf pour un accès facile. Une pince à dégraphage rapide s'attache à la voiturette de golf et peut être facilement enlevée après coup.

Pied de voiturette Push/Pull: S'assurer que votre main ne tremble pas avec le pied télécopique. Fixer simplement le télémètre sur le pied et insérer le dans le porte parapluie de la voiturette.

SPÉCIFICATIONS :

Dimensions: mesure 4,3 x 12,9 x 9,3 cm

Poids: 340 g

Précision de l'évaluation des distances: +/- 1 m (1 yard)

Portée: 5 à 1463 mètres (5 à 1600 yards)

Grossissement: 7 x

Diamètre de l'objectif 26 mm

Traitement optique: multicouches, toutes surfaces

Afficheur: à cristaux liquides

Source d'alimentation: pile alcaline de 9 volts (fournie par l'utilisateur)

Largeur de champ: 103 m (340 pi) à 914 m (1 000 yards)

Dégagement oculaire extra long: 19 mm

Pupille de sortie: 3,7 mm

Construction 100 % étanche à l'eau

Revêtement HD RainGuard®

Monture de trépied intégrée

Étui et sangle inclus

Brevet#s: 6,445,444 | 5,612,779 | 6,057,910 | 6,226,077 | 6,542,302 | 7,239,377 (205106)

NETTOYAGE

Soufflez délicatement pour éliminer poussière ou débris des lentilles (ou utilisez une brosse à poils doux pour lentilles). 25

Pour retirer la saleté ou les traces de doigts, nettoyez avec un tissu en coton doux, en frottant d'un mouvement circulaire. L'utilisation d'un tissu grossier ou un frottement inutile risque de rayer la surface de la lentille et de la détériorer de façon définitive. Pour un nettoyage plus profond, vous pouvez utiliser des tissus spéciaux pour appareils photo, des liquides de nettoyage pour lentilles photographiques ou de l'alcool isopropylique. Appliquez toujours le liquide sur un chiffon, jamais directement sur la lentille.

GARANTIE LIMITÉE DE DEUX ANS

Votre produit Bushnell est garanti exempt de défauts de matériaux et de fabrication pendant deux ans après la date d'achat. Au cas où un défaut apparaîtrait sous cette garantie, nous nous réservons l'option de réparer ou de remplacer le produit, à condition de nous le renvoyer en port payé. La présente garantie ne couvre pas les dommages causés par une utilisation, une manipulation, une installation incorrectes ou un entretien incorrect ou fourni par quelqu'un d'autre qu'un centre de réparation agréé par Bushnell.

Tout retour effectué dans le cadre de la présente garantie doit être accompagné des articles indiqués ci-dessous :

- 1) un chèque ou mandat d'une somme de 10,00 \$ US pour couvrir les frais d'envoi et de manutention
- 2) le nom et l'adresse pour le retour du produit
- 3) une description du défaut constaté
- 4) la preuve de la date d'achat
- 5) Le produit doit être emballé soigneusement, dans un carton d'expédition solide, pour éviter qu'il ne soit endommagé durant le transport ; envoyez-le en port payé, à l'adresse indiquée ci-dessous :

Aux États-Unis, envoyez à :

Bushnell Outdoor Products
Attn.: Repairs
8500 Marshall Drive
Lenexa, Kansas 66214

Au CANADA, envoyez à :

Bushnell Outdoor Products
Attn.: Repairs
25A East Pearce Street, Unit 1
Richmond Hill, Ontario L4B 2M9

Pour les produits achetés en dehors des États-Unis et du Canada, veuillez contacter votre distributeur local pour tous renseignements concernant la garantie.

En Europe, vous pouvez aussi contacter Bushnell au :

Bushnell Outdoor Products Gmbh
European Service Centre
MORSESTRASSE 4
D- 50769 KÖLN
ALLEMAGNE

Tél. : +49 (0) 221 709 939 3

Fax : +49 (0) 221 709 939 8

La présente garantie vous donne des droits légaux spécifiques.

Vous pouvez avoir d'autres droits qui varient selon les pays.

©2008 Bushnell Outdoor Products

TABLEAU DES PROBLÈMES RENCONTRÉS

Si l'instrument ne se met pas en marche - l'afficheur ne s'allume pas :

- Appuyez sur le bouton de marche.
- Vérifiez la pile et remplacez-la si nécessaire.

Si l'instrument ne réagit pas aux pressions sur les boutons, remplacez la pile par une pile alcaline de 9 volts, de bonne qualité.

Si l'instrument s'éteint (l'afficheur se vide quand on essaie d'activer le laser) :

- Charge de la pile insuffisante ou pile de mauvaise qualité. Remplacez la pile par une pile alcaline de 9 volts, de bonne qualité. Il est DÉCONSEILLÉ d'utiliser des piles alcalines pour usage intensif.

S'il est impossible d'obtenir la distance

- Vérifiez que l'afficheur est allumé.
- Vérifiez que le bouton de marche est enfoncé.
- Vérifiez que rien (main ou doigt) ne bloque l'objectif (lentille la plus proche de la cible) et n'entrave l'émission et la réception des pulsions d'énergie laser.
- Vérifiez que l'instrument reste immobile pendant que vous appuyez sur le bouton de marche.

REMARQUE: Il n'est pas nécessaire d'effacer le dernier relevé avant de viser une autre cible. Il suffit de viser une nouvelle cible à l'aide du réticule de l'afficheur, d'appuyer sur le bouton de marche et de le maintenir enfoncé jusqu'à ce que la nouvelle distance apparaisse.

Les spécifications, les instructions et l'utilisation de ces produits sont susceptibles de modification sans préavis.

Remarque relative à la FCC (Commission fédérale des télécommunications)

Ce matériel a été testé et s'est révélé être conforme aux limites d'un dispositif numérique de classe B, conformément à la section 15 de la réglementation FCC. Ces limites ont été établies pour assurer une protection raisonnable contre les parasites nuisibles dans les immeubles résidentiels. Ce matériel produit, utilise et peut émettre de l'énergie radiofréquence; en conséquence, s'il n'est pas installé et utilisé en conformité avec les instructions, il risque de provoquer des parasites nuisibles aux communications radio. Toutefois, il n'est pas garanti que des parasites ne se produiront pas dans une installation particulière. Si ce matériel causait des parasites nuisibles à la réception radio ou télévision, qui peuvent être déterminés en mettant le matériel hors tension puis sous tension, l'utilisateur peut essayer de remédier au problème en appliquant l'une ou plusieurs des mesures suivantes :

- Réorienter ou déplacer l'antenne de réception.
- Augmenter la distance séparant le matériel du récepteur.
- Connecter le matériel à une prise de courant ou à un circuit différent(e) de celui (celle) auquel (à laquelle) le récepteur est relié.
- Consulter le concessionnaire ou un technicien radio/TV expérimenté.

Le câble d'interface blindé doit être utilisé avec le matériel afin d'être conforme aux limites d'un dispositif numérique, conformément à la sous-section B de la section 15 de la réglementation FCC.



Bushnell®

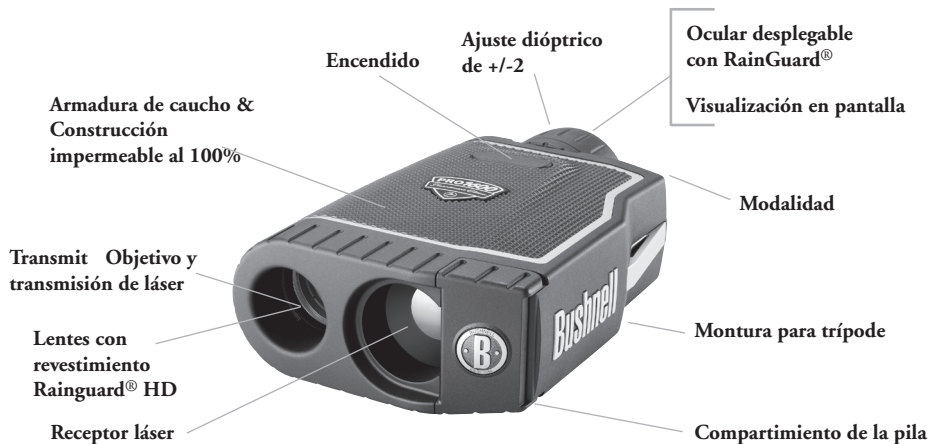
SER RANGEFINDERS



Model: 205105/205106
LIT. #: 98-1342/12-08

ESPAÑOL

Lo felicitamos por su compra del telémetro de rayos laser Bushnell® Pro™ 1600, nuestro principal telémetro de rayos laser para golfistas y utilizado por más jugadores profesionales de golf que cualquier otra marca. El Pro™ 1600 es un instrumento óptico de telemetría láser de precisión diseñado para que disfrute su utilización por muchos años. Este folleto le ayudará a lograr un rendimiento óptico excelente explicando sus ajustes y características así como la forma de cuidar de este instrumento óptico de telemetría láser de precisión. Para asegurar su rendimiento óptico y mayor duración, lea estas instrucciones antes de usar su Pro™ 1600.



INTRODUCCIÓN

Su Pro™ 1600 de Bushnell® es un telémetro de rayos láser avanzado que utiliza Tecnología Digital y permite lecturas de distancia comprendidas entre 5 y 1600 yardas / 5 a 1463 metros. El Pro™ 1600 mide solamente 1,7 x 5,1 x 3,7 pulgadas y pesa 12 onzas, pero ofrece un rendimiento de medición de distancias preciso y sorprendente hasta +/- una yarda/metro. El Pro™ 1600 presenta modalidades de Selective Targeting™, una calidad óptica extraordinaria, construcción 100% impermeable y el revestimiento RainGuard® HD de Bushnell.

CÓMO FUNCIONA NUESTRA TECNOLOGÍA DIGITAL

El Pro™ 1600 emite impulsos de energía infrarroja que son invisibles y seguros para la vista. El microprocesador digital avanzado y el chip ASIC (circuito integrado específico para una aplicación) del Pro™ 1600, ofrecen lecturas instantáneas y precisas en todo momento. Con una tecnología digital sofisticada, calcula instantáneamente las distancias midiendo el tiempo que tarda cada impulso en desplazarse desde el telémetro hasta el blanco y el regreso.

PRECISIÓN PARA MEDIR DISTANCIAS

La precisión para medir las distancias del Pro™ 1600 es de más o menos una yarda o metro en la mayoría de los casos. El alcance máximo del instrumento dependerá de la reflectividad del blanco. La distancia máxima para la mayor parte de los objetos es de 1000 yardas / 914 metros, mientras que en el caso de los objetos altamente reflectantes es de 1600 yardas / 1463 metros. Nota: Podrá obtener distancias máximas más largas o cortas dependiendo de las propiedades reflectantes de un blanco concreto y de las condiciones medioambientales del momento en que se mide la distancia hasta un objeto.

El color, acabado de la superficie, tamaño y forma del blanco afectarán la reflectividad y el alcance. Cuanto más brillante es el color, mayor será el alcance de la medición. Por ejemplo, el rojo es altamente reflectante y permite hacer mediciones a más distancia que el color negro, que es el color menos reflectante. Un acabado brillante proporciona una distancia de medición mayor que uno mate. Un blanco pequeño es más difícil de medir que un blanco más grande. El ángulo hasta el blanco afecta también la medición. Disparar a un blanco, a un ángulo de 90 grados (donde la superficie del blanco es perpendicular a la trayectoria de vuelo de los impulsos de energía emitidos) proporciona una buena medición de la distancia, mientras que un ángulo agudo, por otra parte, ofrece unas posibilidades limitadas. Además, las condiciones de luz (por ejemplo, la cantidad de luz solar) afectarán la capacidad de medir distancias de la

unidad. A menos luz (tal como un día nublado) mayor será el alcance máximo de la unidad. De igual forma, los días muy soleados disminuirán el alcance máximo de la unidad.

PARA EMPEZAR

INSERTAR LA PILA

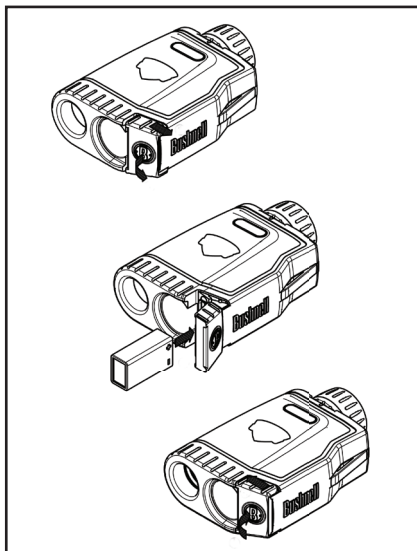
Primero deslice la puerta hacia afuera. Ahora se puede abrir la puerta de bisagras. Introduzca una batería alcalina de 9 voltios en la ranura como se muestra, y cierre la puerta del compartimento de la batería deslizándola hasta que bloquee en su lugar. La ranura para la pila fue diseñada para alojar la pila en la posición correcta. Por lo tanto, si usted no puede cerrar la puerta del compartimento de pilas, verifique que la pila haya sido instalada correctamente.

NOTA: Use solamente pilas alcalinas de buena calidad. No utilice pilas para usos industriales o de litio. Se recomienda que la pila se sustituya una vez cada 12 meses.

Indicador de Pila Baja: Si el indicador Y (yardas) o M (metros) parpadea continuamente o “IoB” se muestra en la pantalla del visor, la batería se está bajando y la batería alcalina de 9 voltios se debe cambiar.

AJUSTE DEL OCULAR

Su Pro™ 1600 dispone de un ocular desplegable diseñado para ofrecer un mayor confort y eliminar la luz superflua. Para los usuarios que no usen anteojos, girar la ocular a izquierdas mientras tira del mismo hasta que quede fijo en la posición



completamente “arriba”. El Pro™ 1600 ofrece una distancia extra de la pupila. Si usa anteojos, asegúrese de que la ojera esté en la posición bajada, de esta forma su ojo estará más cerca de la lente del ocular y podrá ver todo el campo de visión. Para bajar la ojera desde la posición completamente “arriba”, gírela a derechas mientras la empuja ligeramente hacia abajo. También es posible poner la ojera en posiciones “intermedias”, entre completamente arriba y completamente abajo, que podría ser mejor para algunas personas.

El Pro™ 1600 está equipado también con un ocular ajustable (ajuste dióptrico de +/- 2) que permite enfocar la imagen y la pantalla LCD. Sólo hay que girar el ajuste dióptrico hasta que la pantalla LCD esté enfocada.

RESUMEN DE FUNCIONAMIENTO

Mientras mira por el ocular de 7x, pulse el botón de encendido una vez para activar la pantalla de cristal líquido incorporada (LCD). Apunte el círculo de puntería (ubicado en el centro del campo de visión) a un blanco que esté a 5 yardas por lo menos, pulse y mantenga pulsado el botón de encendido hasta que se visualice la lectura de la distancia cerca de la parte inferior de la pantalla. La cruz reticular que rodea el círculo de puntería indica que se está transmitiendo el rayo láser. Una vez adquirida la distancia, suelte el botón de encendido. Una vez que se suelta el botón de encendido, la cruz reticular alrededor del círculo de puntería desaparece (es decir, la transmisión de rayo láser cesa). Nota: Una vez activada, la pantalla LCD del Pro™ 1600 permanecerá activa y mostrará la medición de la última distancia durante 30 segundos. Puede pulsar otra vez el botón de encendido en cualquier momento para determinar la distancia hasta un nuevo blanco. Como ocurre con cualquier dispositivo láser, no se recomienda mirar directamente a las emisiones durante mucho tiempo con lentes de aumento. El tiempo máximo de transmisión (disparo) del rayo láser es de 10 segundos. Para repetir el disparo, pulse el botón otra vez.

INDICADORES DE LA PANTALLA DE CRISTAL LÍQUIDO (LCD)

La pantalla LCD del Pro™ 1600 incorpora indicadores iluminados que le indican la unidad de medida, cuando el rayo láser está activamente disparando, cuando se ha adquirido el blanco y la modalidades de determinación del blanco. A continuación se ofrece un resumen de estas características:

OPCIONES DE LA UNIDAD DE MEDIDA


El Pro™ 1600 puede usarse para medir distancias en yardas o metros. Los indicadores de la unidad de medida están situados en la parte inferior derecha de la pantalla LCD. Para seleccionar entre yardas y metros, pulse y suelte rápidamente el botón de encendido (POWER) para encender la unidad (situado en la parte superior de la unidad), mire por el ocular, oprima el botón “MODE” (lado izquierdo del ocular) y manténgalo oprimido durante 5 segundos aproximadamente. Si va a cambiar de yardas a metros, se indicará un cambio de la unidad de medida mediante la iluminación de la M del indicador, mientras que el indicador Y de yardas permanece apagado. Si va a cambiar de metros a yardas, ocurrirá el caso contrario. Cada vez que se encienda la unidad, el Pro™ 1600 regresará a la posición de la última unidad de medida que se usó.

LÁSER ACTIVO

La cruz reticular que rodea el círculo de puntería indica que se está transmitiendo el rayo láser. Una vez adquirida la distancia, suelte el botón de encendido. Una vez que se suelta el botón de encendido, la cruz reticular alrededor del círculo desaparece (es decir, la transmisión de rayo láser cesa).

MODALIDADES DE SELECTIVE TARGETING™ (DETERMINACIÓN SELECTIVA DEL BLANCO)

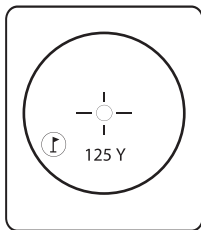
El Pro™ 1600 se ha diseñado especialmente pensando en los golfistas. Las modalidades de selección selectiva del blanco permiten ajustar los parámetros de rendimiento de la unidad para adecuarlos a su situación y entorno específicos. Para pasar de una modalidad a otra, pulse el botón de encendido (POWER) una vez para encender la unidad. Mientras mira por el ocular, pulse el botón MODE y suéltelo rápidamente. Las diferentes modalidades de determinación del blanco que hay disponibles, y los indicadores de modalidad son los siguientes:

PinSeeker (Indicador LCD – ) ¿Ha tenido alguna vez dificultad en obtener la distancia hasta la bandera? Esta modalidad avanzada facilita la adquisición de la bandera sin obtener por descuido las distancias hasta los blancos del fondo (por ej., árboles) que tiene una señal más fuerte.

Una vez que esté en esta modalidad, pulse el botón de encendido (POWER) para encender la unidad. En seguida apunte la retícula circular a la bandera hasta la que desea medir la distancia. Después, pulse y mantenga oprimido el botón de encendido (POWER) y desplace lentamente el rayo láser sobre la bandera o el objeto deseado hasta que un círculo rodee al indicador de bandera. Si el rayo láser reconoce más de un objeto (por ej., la bandera y árboles de fondo), se visualizará la distancia hasta la bandera y un círculo rodeará el indicador PinSeeker, informando al usuario de que se está visualizando en la pantalla LCD la distancia hasta la bandera (es decir, el objeto más cercano). Es posible que algunas veces el rayo láser vea solamente un objeto en su trayectoria. En ese caso, se visualizará la distancia, pero debido a que no se adquirió más de un objeto, no aparecerá un círculo rodeando el indicador de bandera.

CONSEJO: Mientras pulsa el botón de encendido (POWER), puede desplazar lentamente el dispositivo de un objeto a otro y forzar intencionalmente al rayo láser a hacer blanco en varios objetos para asegurarse de que solamente está visualizando el objeto más cercano reconocido por el láser.

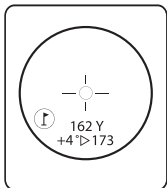
Una vez que se apague el dispositivo, la unidad volverá siempre a la última modalidad usada.



PinSeeker con Slope +/-™ (Indicador LCD - ° ▷) Esta modalidad avanzada se encuentra solamente en el modelo 20-5106 (Pro™ 1600 with Slope +/-™). El modelo 20-5106 está provisto de un inclinómetro basado en acelerómetro que muestra digitalmente el ángulo de inclinación entre -20 y +20 grados de elevación con una precisión de +/- 1,0 grado. La modalidad Slope +/-™ calculará automáticamente un alcance con compensación de inclinación basado en la distancia y el ángulo de inclinación determinados por el telémetro de rayos láser y el inclinómetro incorporado. Después, estos datos se combinan con fórmulas algorítmicas internas relacionadas con el uso promedio del club y las trayectorias de las pelotas. La medición del alcance con compensación de inclinación proporciona la dirección en que debe hacerse el tiro (es decir, añadir distancia si es una subida y restar si es una bajada).

Cómo usar el Slope +/-™

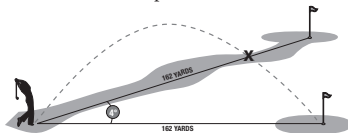
Una vez que esté en esta modalidad, verá una indicación “ ° ▷” en el campo de visión informándole que se encuentra en la modalidad de Slope +/--. Pulse el botón de encendido (POWER) para obtener la distancia hasta la bandera u otros objetos. Una vez que se visualice el blanco, continúe oprimiendo el botón de encendido durante aproximadamente 2 segundos mientras apunta el círculo de puntería a la bandera y mantiene la unidad lo más estable posible, para que el inclinómetro tenga tiempo suficiente para medir la inclinación. Suelte el botón de encendido (POWER). Después de soltar el botón de encendido, debajo de la distancia normal se visualizará un grado de ángulo y el alcance compensado, como se muestra abajo.



En este ejemplo, la distancia verdadera es 162 yardas, la inclinación es +4 grados y el alcance compensado es 173 yardas. El símbolo “▷” significa “Jugar como”, por lo tanto, en vez de jugar como 162 yardas, debe “jugar como” 173 yardas.

La ventaja del Slope +/-™

La distancia hasta la bandera A en el dibujo siguiente es de 162 yardas. También son 162 yardas hasta la bandera B aunque esta se encuentra en una pendiente. Sin embargo, si jugara este hoyo como uno de 162 yardas, la pelota (X) caería lejos del hoyo/bandera porque no tomó en cuenta la pendiente.



La verdad acerca de las pendientes

Tratar de determinar el ángulo de inclinación a simple vista puede inducir a error. La mayoría no tiene la experiencia para determinar exactamente el ángulo de pendiente. Por ejemplo, la pendiente media en la mayoría de los campos de golf es de aproximadamente 4 grados. Por lo general, en un campo de golf la pendiente más grande no tiene más de 8 grados. Por supuesto que esto puede variar, y es por eso que este dispositivo medirá las pendientes entre -20 y 20 grados.

Algunos ejemplos reales pueden ayudar a clarificar esto. Una inclinación moderada de techo es 6/12, lo que significa que el techo se eleva seis pulgadas por cada distancia horizontal de 12 pulgadas. Eso equivale a 26,5 grados. Puede subir gateando esta inclinación para colgar las luces de Navidad, pero subir esta pendiente cubriendo la distancia de un buen tiro de golf en una cancha sería agotador. ¡Para recuperar un tiro de 200 yardas, tendría que subir 300 pies!

Ejemplo de golf: Digamos que usted es un golfista fornido con un tiro de 300 yardas. A una pendiente de 20 grados el banderín de hoyo estaría 50 pies más arriba. ¡En otras palabras, al golpear la pelota la estaría lanzando a la parte superior de un edificio de 5 pisos!

NOTA: Para su conveniencia, la modalidad Slope +/-™ contiene también la modalidad/función PinSeeker.® Si en cualquier momento prefiere no utilizar la modalidad Slope +/-™, sólo tiene que pulsar el botón MODE para obtener la modalidad PinSeeker.® o Standard with Automatic SCAN Mode™ (Estándar con SCAN automático).

Estándar con SCAN automático Esta configuración permite determinar la distancia hasta la mayor parte de los blancos situados a una distancia de hasta unas 1600 yardas. Se usa para blancos moderadamente reflectivos que son típicos en la mayoría de las situaciones de determinación de la distancia. La distancia mínima en la modalidad estándar es de 5 yardas. Para usar el SCAN automático, sólo tiene que mantener pulsado el botón POWER durante 3 segundos aproximadamente y desplazar el telémetro de un objeto a otro mientras deja el botón POWER oprimido. El SCAN automático permitirá actualizar continuamente el alcance y la visualización a medida que se determina la distancia hasta múltiples objetos

DISEÑO ÓPTICO

Aumento y revestimientos

El Pro™ 1600 presenta un potente monocular con un aumento de 7x para visualizar el blanco. Dispone de una óptica de múltiples capas que permite la máxima transmisión de luz para ofrecer un brillo óptimo, una resolución y contraste magníficos para lograr una imagen viva y clara hasta en condiciones de luz baja como al anochecer y al amanecer. Una pantalla de cristal líquido (LCD) se monta dentro del sistema óptico y, cuando se activa, muestra una retícula para apuntar al blanco, designaciones en yardas/metros e indicadores de modalidad. Inherente en el proceso de fabricación, pueden aparecer unos puntitos negros en el sistema óptico. Se trata de una característica natural de las pantallas LCD que no se puede eliminar completamente en el proceso de fabricación y no afecta el rendimiento de la unidad en la determinación de la distancia.

RainGuard

Las superficies externas de las lentes del objetivo y del ocular tienen un revestimiento RainGuard® HD. RainGuard® HD es un revestimiento para lentes de Bushnell, permanente, patentado e hidrofóbico (que repele el agua) que evita el empañamiento haciendo que la condensación producida por la lluvia, el aguanieve, la nieve o hasta su propio aliento se descomponga en gotitas mucho más pequeñas que en el caso de los revestimientos estándar. Estas gotas uniformes más pequeñas dispersan menos luz, dando como resultado una visión más clara y brillante.

MONTURA DEL TRÍPODE

Moldeado en el fondo de nuestro Pro 1600 se encuentra una montura roscada de trípode que le permitirá sujetar con

los siguientes Accesorios de Golf Bushness:

Base montada del carrito de golf: Sujeta el telémetro de rayos laser a su carrito de golf para su fácil acceso. Sujetador de desenganche rápido se fija al carrito de golf y se puede quitar fácilmente después.

Monopie de carrito de empujar/jalar: Estabilice su mano con este monopie telescópico. Simplemente sujete su telémetro de rayos láser al monopie e introdúzcalo en el sujetador de la sombrilla en el carrito.

ESPECIFICACIONES:

Dimensiones: Mide 1,7 x 5,1 x 3,7 pulgadas

Peso: 12 onzas

Precisión: +/- 1 yarda

Alcance: 5 a 1600 yardas / 5 a 1463 metros

Aumento: 7x

Diámetro del objetivo: 26 mm

Revestimientos ópticos: Múltiples capas completas

Pantalla: LCD

Fuente de alimentación: Pila alcalina de 9 voltios (suministrada por el usuario)

Campo de visión: 340 pies a 1000 yardas

Distancia extra de la pupila la ocular: 19mm

Pupila de salida: 3,7 mm

Construcción impermeable al 100%

Revestimiento RainGuard® HD

Montura para trípode incorporada

Incluye estuche y correa

Patente#’s: 6,445,444 | 5,612,779 | 6,057,910 | 6,226,077 | 6,542,302 | 7,239,377 (205106)

LIMPIEZA

Sople con cuidado cualquier mota de polvo o suciedad que haya en las lentes (o use un cepillo suave para lentes). Para eliminar la suciedad o las huellas dactilares, use un trapo suave de algodón, frotando de forma circular. El uso de un tejido áspero o frotar de forma innecesaria puede arañar la superficie de la lente y causar un daño permanente, tarde o temprano. Para efectuar una limpieza más profunda, puede usar un paño y fluido para limpiar lentes fotográficas o alcohol. Aplique siempre el fluido sobre el paño – nunca directamente sobre la lente.

GARANTÍA LIMITADA DE DOS AÑOS

Su producto Bushnell está garantizado contra defectos de materiales y fabricación durante dos años después de la fecha de compra. En caso de defectos bajo esta garantía, nosotros, a nuestra opción, repararemos o sustituiremos el producto siempre que lo devuelva con portes pagados. Esta garantía no cubre defectos causados por el uso indebido, ni por un manejo, instalación o mantenimiento realizados por alguien que no sea un departamento de servicio autorizado de Bushnell.

Cualquier envío que se haga bajo esta garantía deberá ir acompañado por lo siguiente:

- 1) Un cheque/giro postal por la cantidad de 10 dólares para cubrir los gastos postales y de manejo
- 2) Nombre y dirección donde quiere que se le envíe el producto
- 3) Una explicación del defecto
- 4) Una prueba de la fecha de compra
- 5) El paquete debe empaquetarse bien en una caja resistente para evitar que se dañe durante el transporte, con los portes prepagados a la dirección que se muestra a continuación:

En EE.UU. enviar a:

Bushnell Outdoor Products
Attn.: Repairs
8500 Marshall Drive
Lenexa, Kansas 66214

En Canadá. enviar a:

Bushnell Outdoor Products
Attn.: Repairs
25A East Pearce Street, Unit 1
Richmond Hill, Ontario L4B 2M9

En el caso de productos comprados fuera de Estados Unidos o Canadá, póngase en contacto con su distribuidor local para que le den la información pertinente sobre la garantía. En Europa también puede ponerse en contacto con Bushnell en:

BUSHNELL Performance Optics GmbH
European Service Centre
MORSESTRASSE 4
D- 50769 KÖLN
ALEMANIA
Tel: +49 (0) 221 709 939 3
Fax: +49 (0) 221 709 939 8

Esta garantía le ofrece derechos legales específicos.
Puede que tenga otros derechos que varían de un país a otro.
©2008 Bushnell Outdoor Products

TABLA DE LOCALIZACIÓN Y REPARACIÓN DE AVERÍAS

La unidad no se enciende – la pantalla LCD no se ilumina:

- Pulse el botón de encendido.
- Compruebe la pila y sustitúyala si fuera necesario.

La unidad no responde al pulsar las teclas, sustituya la pila por una pila alcalina de 9 voltios de buena calidad.

La unidad pierde energía (la pantalla se queda en blanco cuando trata de encender el láser).

- La pila está desgastada o es de mala calidad. Sustituya la pila por una pila alcalina de buena calidad. NO se recomienda la utilización de pilas alcalinas para usos industriales.

Si no se puede obtener la distancia al blanco:

- Asegúrese de que la pantalla LCD esté iluminada.
- Asegúrese de pulsar el botón de encendido.
- Asegúrese de que no haya nada, tal como su mano o un dedo, que esté bloqueando el objetivo (la lente más cerca del blanco) que emite y recibe los impulsos láser.
- Asegúrese de sujetar la unidad con firmeza mientras pulsa el botón de encendido.

NOTA: No es necesario eliminar la última lectura antes de medir otra distancia. Sólo tiene que apuntar al nuevo blanco usando la retícula de la pantalla LCD, pulsar el botón de encendido y mantenerlo pulsado hasta que aparezca la nueva lectura de la distancia.

Las especificaciones, instrucciones y el funcionamiento de estos productos están sujetos a cambio sin previo aviso.

NOTA DE FCC:

Este equipo se ha sometido a las pruebas de rigor y se ha encontrado que cumple con los límites de los dispositivos digitales de la Clase B, de conformidad con la Parte 15 de las normas de FCC. Estos límites se han concebido para ofrecer una protección razonable contra las interferencias perjudiciales en las instalaciones residenciales. Este equipo genera, usa y puede irradiar energía de radiofrecuencia y, si no se instala y usa de acuerdo con las instrucciones, podría causar interferencias perjudiciales en las comunicaciones de radiofrecuencia. Sin embargo, no hay ninguna garantía de que no se produzcan interferencias en una instalación particular. Si este equipo causara interferencias perjudiciales en las recepciones de radio o televisión, lo cual puede determinarse encendiendo y apagando el equipo, se aconseja al usuario que trate de corregir la interferencia aplicando una o más de las siguientes medidas:

- Reorientar o cambiar de lugar la antena receptora.
- Incrementar la separación entre el equipo y el receptor.
- Conectar el equipo a un enchufe que esté en un circuito diferente del que está conectado el receptor.
- Consultar al distribuidor o a un técnico de radio o televisión experimentado para que le ayuden.

Con el equipo se debe usar un cable de interfaz blindado para cumplir con los límites de dispositivos digitales de conformidad con la Subparte B de la Parte 15 de las Normas de FCC.

Las especificaciones y diseños están sujetos a cambios sin previo aviso u obligación por parte del fabricante.

Bushnell®

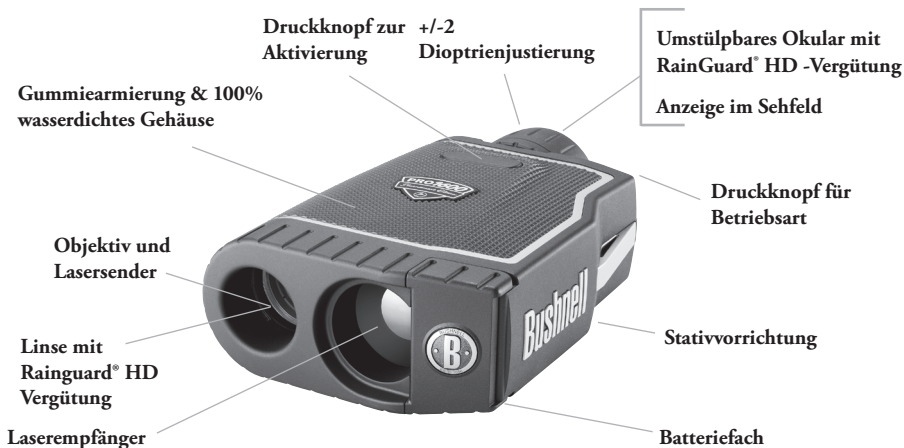
SER RANGEFINDERS



Model: 205105/205106
LIT. #: 98-1342/12-08

DEUTSCH

Wir beglückwünschen Sie zu Ihrem Erwerb des Bushnell® Pro™ 1600 Laser-Entfernungsmessers, dem Spitzenmodell unserer Laser-Entfernungsmesser für Golfspieler, das von mehr Golf-Profis verwendet wird, als alle anderen Marken. Der Pro™ 1600 ist ein mittels Laser entfernungs-messendes, optisches Instrument hoher Präzision, das ausgelegt ist Ihnen viele Jahre Freude zu bereiten. Um seine optimale Leistungsfähigkeit zu erzielen, werden in diesem Büchlein die Einstellungen und Merkmale dieses optischen Instruments erklärt. Außerdem werden Sie mit der Pflege dieses präzisen Laser-Entfernungsmessers vertraut gemacht. Zur Gewährleistung optimaler Leistung und Langlebigkeit sollten Sie diese Anweisungen lesen, bevor Sie Ihren Pro™ 1600 in Betrieb nehmen.



EINLEITUNG

Der Bushnell® Pro™ 1600 ist ein fortschrittlicher Laser-Entfernungsmesser höchster Qualität, der digitale Technologie enthält, welche Entfernungsmessungen von 5 bis 1.463 Meter erlaubt. Der 340 g leichte PINSEEKER® 1500 misst 1,7 x 5,1 x 3,7 Zoll (ca. 43 x 130 x 94 mm) und liefert eine hervorragende und genaue Entfernungsmessleistung von \pm ca. 1 Meter. Weitere Merkmale des Pro™ 1600 sind Selective Targeting™ Modes (selektive Zielverfolgungsmodi), hervorragende optische Qualität, 100% wasserdichte Bauweise und die Bushnell RainGuard® Vergütung.

SO ARBEITET UNSERE DIGITALTECHNOLOGIE

Der Pro™ 1600 gibt unsichtbare, augensichere Infrarot-Energiepulse ab. Der fortschrittliche, digitale Mikroprozessor (Advanced Digital Microprocessor) des Pro™ 1600 und der ASIC Chip (Application-Specific Integrated Circuit = Anwendungsspezifischer, integrierter Schaltkreis) sichern jedes Mal sofortige und genaue Ablesungen. Die anspruchsvolle Digitaltechnologie berechnet sofort die Entfernungen, indem sie die Zeitdauer misst, die jeder Puls für den Weg vom Entfernungsmesser zum Ziel und zurück braucht.

GENAUIGKEIT DER ENTFERNUNGSMESSUNG

Die Genauigkeit der Entfernungsmessung des M.O.A. beträgt unter den meisten Umständen plus oder minus ca. einen Meter. Die maximale Reichweite des Instruments hängt vom Reflektionsvermögen des Ziels ab. Die maximale Entfernung beträgt bei den meisten Objekten 914 Meter, während bei stark reflektierenden Objekten das Maximum 1.463 Meter beträgt. Hinweis: Je nach den Reflektionseigenschaften des Ziels und den Umgebungsverhältnissen im Moment, in dem ein Objekt gemessen wird, werden sowohl längere als auch kürzere maximale Entfernungen erzielt.

Das Reflektionsvermögen und die Reichweite werden von der Farbe, dem Finish der Oberfläche, der Größe und der Form des Ziels beeinflusst. Je heller die Farbe, umso größer die Reichweite. Zum Beispiel reflektiert Rot sehr stark und lässt größere Reichweiten zu als schwarze Farbe, die am wenigsten reflektiert. Ein glänzendes Finish ergibt eine größere Reichweite als ein mattes. Die Entfernungsmessung eines kleinen Ziels ist schwieriger als die eines großen Ziels. Auch der Winkel zum Ziel wirkt sich aus. Das Messen eines Ziels im 90° Winkel, (wobei die Zielfläche senkrecht zum Flugweg der abgegebenen Energiepulse steht) bietet eine gute Reichweite, während andererseits ein steiler Winkel für begrenzte Reichweite steht. Ferner beeinflussen die Lichtverhältnisse (z.B. die Menge des Sonnenlichts) die

Reichweitenfähigkeit der Einheit. Je weniger Licht (z.B. bei Wolkendecke), umso weiter die maximale Reichweite. Dementsprechend werden sehr sonnige Tage eine geringere, maximale Reichweite zulassen.

ZU BEGINN

DIE BATTERIE EINLEGEN

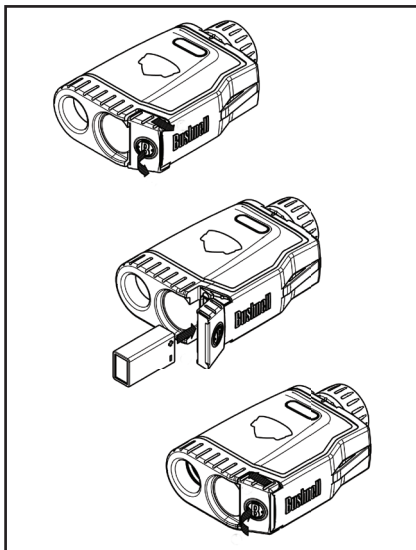
Als erstes die Tür nach außen schieben. Die mit Scharnier versehene Tür kann nun geöffnet werden. Eine alkalische 9 Volt Batterie wie angezeigt in den Schlitz einführen, dann die Batterietür schließen und schieben, bis sie wie vorgesehen einrastet. Das Batteriefach ist so konstruiert, dass die Batterie nur in einer Richtung korrekt eingelegt werden kann. Wenn Sie also das Batteriefach nicht richtig schließen können, prüfen Sie bitte nach, ob die Batterie korrekt eingelegt wurde.

HINWEIS: Nur Batterien hochwertiger Qualität verwenden. Keine Starkstrom- oder Lithiumbatterien verwenden. Es wird empfohlen die Batterie mindestens alle 12 Monate auszutauschen.

Anzeige für niedrige Batterieleistung: Wenn die Anzeige Y (Yards) oder M (Meter) ständig blinkt oder in der Sichtfeldanzeige "loB" angezeigt wird, wird die Batteriespannung zu niedrig und die alkalische 9 Volt Batterie sollte ersetzt werden.

ANPASSUNG DES OKULARS

Der Pro™ 1600 ist mit einem herausdrehbaren Okular ausgestattet, welches für maximalen Komfort ausgelegt wurde und von außen kommendes Licht ausschließt. Benutzer ohne Brille drehen das Okular gegen den Uhrzeigersinn heraus,



bis es in der „äußersten“ Position einrastet. Der Pro™ 1600 bietet einen extra großen Augenabstand. Sollten Sie Brillenträger sein, so drehen Sie das Okular komplett „herein“, um ihr Auge näher an das Okular zu bringen, damit Sie das volle Sehfeld ausnutzen können. Zum Hereindrehen des Okulars von der Position „ganz herausgedreht“ dieses im Uhrzeigersinn drehen und leicht nach unten drücken. Das Okular kann auch in einer Stellung „zwischen“ ganz heraus oder hereingedreht positioniert werden. Dies ist individuell von den Vorlieben des Benutzers abhängig.

Der Pro™ 1600 ist auch mit einem Dioptrienausgleich ausgerüstet (Einstellung ± 2 Dioptrien), damit das LCD-Display bezüglich des Bildes scharf eingestellt werden kann. Nur einfach die Dioptrieneinstellung drehen, bis die LCD-Anzeige fokussiert ist.

ZUSAMMENFASSUNG DER BETRIEBSWEISE

Beim Schauen durch das 7 fache Okular den Aktivierungsknopf einmal drücken, damit das Flüssigkristall-Display (LCD) aktiviert wird. Den Kreis (in der Mitte des Sehfeldes) auf ein Ziel in mindestens 5 m Entfernung richten, den Aktivierungsknopf drücken und festhalten, bis die Entfernungsanzeige in der Nähe des unteren Teils des Sicht-Displays angezeigt wird. Ein den Kreis umgebendes Fadenkreuz gibt an, dass der Laserstrahl übermittelt wird. Nach dem Anzeigen einer Entfernung kann der Aktivierungsknopf losgelassen werden. Das den Kreis umgebende Fadenkreuz verschwindet, wenn der Aktivierungsknopf losgelassen wurde (d.h. der Laserstrahl wird nicht mehr übermittelt). Hinweis: Nach dem Aktivieren bleibt das LCD Display des Pro™ 1600 aktiv und zeigt die letzte Entfernungsmessung 30 Sekunden lang an. Der Aktivierungsknopf kann für die Entfernungsmessung eines neuen Ziels jederzeit erneut gedrückt werden. Wie bei jedem Lasergerät wird nicht empfohlen, die Emissionen über längere Zeit mit Vergrößerungslinsen zu betrachten. Die maximale Übermittlungsdauer des Laserstrahls (Aktivierung) beträgt 10 Sekunden. Für die erneute Inbetriebnahme den Aktivierungsknopf erneut drücken.

ANZEIGER DER FLÜSSIGKRISTALL-ANZEIGE (LCD)

Das LCD Display des Pro™ 1600 hat eine beleuchtete Anzeige, die den Benutzer über die Maßeinheit sowie die Zielverfolgungsmodi bei aktiviertem Laser und anvisiertem Ziel informiert.

Nachstehend erhalten Sie eine Zusammenfassung dieser Merkmale:

MASSEINHEIT-OPTIONEN


Der Pro™ 1600 kann für die Entfernungsmessung in Yard oder Meter benutzt werden. Die Anzeige der Maßeinheit befindet sich im unteren rechten Teil des LCD Displays. Für die Wahl zwischen Yard und Meter den Aktivierungsknopf (oben auf dem Gerät) zum Einschalten des Geräts rasch drücken und loslassen, durch das Okular schauen, den „MODUS“ Knopf drücken (an der linken Seite des Okulars) und ihn ca. 5 Sekunden gedrückt halten. Für den Übergang von Yard zu Meter wird eine Umschaltung der Maßeinheit durch das Aufleuchten des M-Anzeigers für Meter angegeben, während der Y-Anzeiger für Yard abgeschaltet ist. Beim Umschalten von Meter zu Yard tritt das Umgekehrte ein. Bei jedem Einschalten kehrt der PINSEEKER 1500 zur zuletzt eingestellten Maßeinheit zurück.

AKTIVER LASERSTRAHL

Ein den Kreis umgebendes Fadenkreuz gibt an das der Laserstrahl übermittelt wird. Nach dem Orten einer Entfernung kann der Stromknopf losgelassen werden. Das den Kreis umgebende Fadenkreuz verschwindet, wenn der Stromknopf losgelassen wurde (d.h. der Laserstrahl wird nicht mehr übermittelt).

SELEKTIVE ZIELVERFOLGUNGSMODI

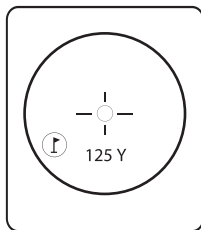
Der Pro™ 1600 wurde speziell für Golfspieler konzipiert. Mit den selektiven Zielverfolgungsmodi können die Leistungsparameter des Geräts passend zur spezifischen Situation und zum Umfeld eingestellt werden. Für den Übergang von einem Modus in einen anderen das Gerät durch drücken des Aktivierungsknopfes einschalten. Beim Schauen durch das Okular den MODUS Knopf drücken und schnell wieder loslassen. Nachstehend werden die einzelnen, verfügbaren Zielverfolgungsmodi und Modus-Anzeiger aufgeführt:

PinSeeker (LCD Anzeiger - ) Hatten Sie jemals Probleme die Entfernung zur Fahne zu messen? Dieser hoch entwickelte Modus ermöglicht eine leichte Ortung der Flagge, ohne dabei ungewollte Entfernungsmessungen zu Zielen im Hintergrund zu bekommen (z.B. Bäume), die eine stärkere Signalstärke haben.

In diesem Modus den Aktivierungsknopf drücken, um damit das Gerät einzuschalten. Dann den Kreis mit Fadenkreuz auf die Flagge ausrichten, deren Entfernung gemessen werden soll. Im Anschluss erneut den Aktivierungsknopf drücken und festhalten, um den Laserstrahl langsam über die Flagge oder das gewünschte Objekt zu führen, bis der Flaggenanzeiger von einem Kreis umgeben wird. Wenn der Laserstrahl mehrere Objekte erkennt, (z.B. Flagge und Bäume im Hintergrund), wird die Entfernung zur Flagge angezeigt. Ein Kreis umgibt den PinSeeker Anzeiger und informiert den Benutzer, dass die Entfernung bis zur Flagge (d.h. das näher liegende Objekt) im LCD-Display angezeigt wird (wie unten zu sehen ist). Es kann vorkommen, dass der Laserstrahl nur ein Objekt auf seinem Weg ertastet. In diesem Fall wird nur diese einzelne Entfernung angezeigt. Da in diesem Fall nicht mehrere Objekte geortet wurden, wird auch der Flaggenanzeiger von keinem Kreis umgeben.

TIP: Während dem Drücken des Aktivierungsknopfes kann das Gerät langsam von Objekt zu Objekt geführt und der Laserstrahl absichtlich gezwungen werden mehrere Objekte zu treffen, damit sichergestellt wird, dass nur die nächstgelegenen vom Laserstrahl erkannten Objekte angezeigt werden.

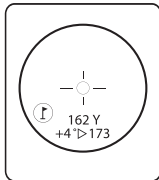
Nach dem Abschalten stellt sich das Gerät immer auf den zuletzt verwendeten Modus zurück.



PinSeeker mit +/- Slope™ (Neigung) (LCD Anzeiger - °▷) Dieser fortschrittliche Modus ist nur im Modell 20-5106 (PinSeeker mit +/- Slope™ (Neigung)) vorhanden. Das Modell 20-5106 hat einen eingebauten, auf einem Beschleunigungsmesser basierenden Neigungsmesser, der den genauen Neigungswinkel von -20 bis +20 Höhengrade mit $\pm 1,0$ Grad Genauigkeit digital anzeigt. Der Modus +/- Slope™ (Neigung) berechnet automatisch eine winkelkompensierte Reichweite, die auf der Entfernung und dem Neigungswinkel basiert und vom Laser-Entfernungsmesser und dem eingebauten Neigungsmesser bestimmt wird. Diese Daten werden dann mit internen algorithmischen Formeln über durchschnittliche Schlägerbenutzung und Ballflugbahn kombiniert. Die winkelkompensierte Entfernung bietet Möglichkeiten, wie der Schlag zu spielen ist (d.h. bei Steigungen eine Entfernung hinzufügen, bei Gefälle eine Entfernung abziehen).

Benutzung des +/- Slope™ (Neigung)

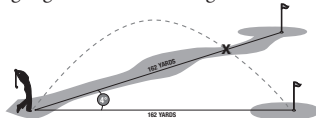
In diesem Modus erscheint ein „ °▷“ im Sehfeld und informiert darüber, dass der +/- Neigungs-Modus aktiviert ist. Für die Messung der Entfernung zur Flagge oder anderen Objekten den Aktivierungsknopf drücken. Wenn die Entfernung angezeigt wird, den Aktivierungsknopf weiterhin für ca. 2 Sekunden gedrückt halten, während der Kreis mit Fadenkreuz auf der Flagge und das Gerät dabei so ruhig wie möglich gehalten wird, damit der Neigungsmesser genügend Zeit für die Messung der Neigung hat. Dann den Aktivierungsknopf loslassen. Nach dem Loslassen des Aktivierungsknopfes werden unter der Standardentfernung ein Winkelgrad und die kompensierte Entfernung angezeigt, wie weiter unten zu sehen ist.



In diesem Beispiel beträgt die wirkliche Entfernung 162 Meter, die Steigung beträgt +4 Grad, und die kompensierte Entfernung beläuft sich auf 173 Meter. Das “▷” Symbol bedeutet “Play-As” (So spielen wie) Somit anstatt auf 162 Meter zu spielen, auf 173 Meter spielen.

Der Vorteil des +/- Slope™ (Neigung)

In der untenstehenden Zeichnung beträgt die Entfernung bis zur Flagge 162 Meter. Sie beträgt zur Flagge B ebenfalls 162 Meter, obwohl sie auf einer Steigung steht. Wenn jedoch dieses Loch mit 162 Meter gespielt wird, würde der Ball (X) kurz vor dem Loch/der Flagge fallen, weil die Steigung nicht berücksichtigt wurde.



Die Wahrheit über Neigungen

Der Versuch, den Neigungswinkel mit bloßem Auge zu bestimmen kann recht enttäuschend sein. Die meisten Menschen sind nicht richtig in der Lage, einen Neigungswinkel genau zu bestimmen. Zum Beispiel beträgt die durchschnittliche Neigung der meisten Golfplätze ca. 4 Grad. Eine starke Neigung auf einem Golfplatz beträgt im Allgemeinen nicht mehr als 8 Grad. Dies kann natürlich unterschiedlich ausfallen, weshalb die Geräte Neigungen von -20 bis +20 Grad messen.

Zur Klärung ein Beispiel aus der Praxis: Eine durchschnittliche Dachneigung beträgt 6/12, was bedeutet, dass das Dach pro 12 Zoll horizontale Entfernung um 6 Zoll ansteigt. Dies ist gleich 26,5 Grad. Auf diese Schräge kann zwecks Aufhängens von Weihnachtsbeleuchtungen geklettert werden, aber es wäre erschöpfend auf dieser Neigung über die Entfernung eines guten Golfschlages auf einem Golfplatz hinaufzusteigen. Für einen 182 Meter Golfschlag müsste man 91 Meter klettern!

Ein Beispiel aus der Golf-Praxis: Lassen Sie uns annehmen, Sie sind ein kräftiger Golfer mit einem 274 Meter Abschlag. Bei einer 20 Grad Steigung würde sich der Flaggenstock 17 Meter über ihnen befinden. Mit anderen Worten müsste der Ball in Höhe eines 5 Stockwerke hohen Gebäudes geschlagen werden!!!

HINWEIS: Aus praktischen Gründen enthält der +/- Slope™ (Neigung) Modus auch den PinSeeker® Modus. Wenn der +/- Slope™ (Neigung) Modus einmal nicht benutzt werden soll, einfach den Betriebsarten-Knopf drücken, um zum PinSeeker® oder Standard mit Automatic SCAN Mode™ zu gelangen.

Standard mit Automatic SCAN (Automatik-Abtasten). Mit dieser Einstellung kann die Entfernung der meisten Ziele bis zu 1.463 m erfasst werden. Sie wird für mäßig reflektierende Ziele benutzt, wie sie für die meisten Entfernungsmessungen typisch sind. Die Mindestentfernung im Standardmodus beträgt 2,80 m. Für die Benutzung des Automatic Scan Merkmals einfach den Aktivierungsknopf ca. 3 Sekunden lang gedrückt halten und mit dem Entfernungsmesser Objekt für Objekt abtasten, während der Aktivierungsknopf gedrückt bleibt. Beim Anpeilen mehrerer Objekte sorgt Automatic SCAN für die kontinuierliche Aktualisierung der Entfernung und der Anzeige.

OPTISCHE AUSLEGUNG

Vergößerung und Vergütungen

Der PINSEKER® 1500 hat ein leistungsfähiges Sucherobjektiv mit 7 facher Vergrößerung für die Betrachtung des Ziels. Die Optiken sind vollständig mehrfach vergütet und sichern maximale Lichtübertragung für optimale Helligkeit, hervorragende Bildauflösung und Kontrast für ein klares, lebhaftes Bild sogar bei schwachen Lichtverhältnissen, wie bei Abend- und Morgendämmerung. Eine Flüssigkristall-Anzeige (LCD) ist in das optische System eingebaut und zeigt, wenn sie aktiviert wird, ein Fadenkreuz für die Zielverfolgung, Yard / Meter und Modus-Anzeiger an. Beim Fertigungsprozess entstehen kleine, schwarze Punkte die im optischen System erscheinen. Dies sind natürliche Merkmale des LCD Displays und können beim Fertigungsprozess nicht ganz ausgeschlossen werden. Sie beeinträchtigen die Entfernungsmessleistung des Geräts nicht.

RainGuard Vergütung

Die äußeren Oberflächen des Objektivs und der Okularlinsen sind mit RainGuard® HD vergütet. RainGuard® HD ist eine patentierte, hydrophobe (wasserabweisende) Linsenvergütung von Bushnell, die das Beschlagen verhindert, indem dafür gesorgt wird, dass die Kondenswasserbildung bei Regen, Schneeregen, Schnee und sogar des Atems des Benutzers kleinere Tröpfchen bildet, als bei Standardvergütungen. Kleinere, gleichmäßige Tröpfchen streuen weniger Licht, was zu einer klareren und helleren Sicht führt.

STATIV-MONTAGE

In den Boden unseres Pro™ 1600 ist eine mit Gewinde versehene Stativhalterung geformt, die Ihnen das Anbringen an folgendem Bushnell Golf-Zubehör ermöglicht:

Golfcarhalterung: Befestigt den Entfernungsmesser für bequemen Zugang an Ihrem Golfcart. Die Schnellverschlussklemme wird am Golfcart angebracht und kann hinterher einfach entfernt werden.

Einbeinstativ für Schub-/Zugrolley: Verschaffen Sie sich mit diesem ausziehbaren Einbeinstativ eine ruhige Hand. Befestigen Sie den Entfernungsmesser einfach auf dem Einbeinstativ und stecken Sie es in den Regenschirmhalter des Carts.

SPEZIFIKATIONEN:

Abmessungen: 1,7 x 5,1 x 3,7 Zoll (ca. 43 x 130 x 94 mm)

Gewicht: ca. 340 g

Messgenauigkeit: \pm ca. 1 Meter

Messleistung: 5 – 1.463 Meter

Vergößerung: 7x

Objektivdurchmesser: 26 mm

Optische Vergütungen: Vollständig mehrfach vergütet

Display: LCD

Stromquelle: 9 Volt Batterie (benutzerseitig)

Sehfeld: ca. 103 Meter @ 900 Meter

Extralanger Augenabstand: 19 mm

Austrittspupille: 3,7 mm

Bauweise 100% wasserdicht

RainGuard® HD Vergütung

Eingebaute Stativvorrichtung

Einschließlich Tasche und Tragriemen

Patent#s: 6,445,444 | 5,612,779 | 6,057,910 | 6,226,077 | 6,542,302 | 7,239,377 (205106)

SÄUBERUNG

Staub oder Rückstände auf der Linse sorgfältig wegblasen (oder einen weichen Linsenpinsel benutzen). Zur Entfernung von Schmutz oder Fingerabdrücken mit einem weichen Baumwolltuch mit kreisrundem Reiben säubern. Grobes Gewebe oder unnötiges Reiben können die Linsenoberfläche verkratzen und nachhaltigen Schaden verursachen. Für das gründlichere Säubern können Gewebe für Fotolinsen und entsprechende Säuberungsfluids oder Isopropyl-Alkohol verwendet werden. Das Fluid immer auf das Tuch geben – niemals direkt auf die Linse.

AUF ZWEI JAHRE BEGRENZTE GARANTIE

Für dieses Bushnell® Produkt gilt für 2 Jahre ab dem Kaufdatum eine Garantie auf Material- und Herstellungsfehler. Sollte sich innerhalb dieser Garantiezeit ein Mangel herausstellen, werden wir nach eigenem Gutdünken das Produkt reparieren oder ersetzen, wenn es mit vorher bezahltem Porto eingeschickt wurde. Diese Garantie deckt keine Schäden durch falsche Benutzung, falsche Handhabung, Installation oder Wartung durch eine andere Person als diejenigen der von Bushnell zugelassenen Serviceabteilung.

Rücksendungen im Rahmen dieser Garantie müssen enthalten:

- 1) Einen Scheck / eine Zahlungsanweisung über \$ 10,00 zur Deckung der Gebühren für Post und Handling
- 2) Name und Adresse für die Rücksendung des Produkts
- 3) Eine Erklärung des Mangels
- 4) Kaufbeleg mit Datum
- 5) Das Produkt sollte in einem Versandkarton mit robuster Außenseite gut verpackt werden, damit Schäden beim Transport verhindert werden und das vorher bezahlte Porto muss beigelegt sein. Der Versand geht an nachstehende Adresse:

In den USA an:

Bushnell Outdoor Products
Attn.: Repairs
8500 Marshall Drive
Lenexa, Kansas 66214

In Kanada an:

Bushnell Outdoor Products
Attn.: Repairs
25A East Pearce Street, Unit 1
Richmond Hill, Ontario L4B 2M9

Für außerhalb der Vereinigten Staaten oder Kanadas gekaufte Produkte wenden Sie sich an den örtlichen Händler, um die gültigen Informationen über die Garantie einzuholen. In Europa kann Bushnell auch an folgender Adresse angesprochen werden:

Bushnell Outdoor Products GmbH
European Service Centre
Morsestraße 4
D-50769 KÖLN
DEUTSCHLAND
Tel.: +49 (0) 221 709 939 3
Fax: +49 (0) 221 709 939 8

Diese Garantie verleiht spezifische gesetzliche Rechte.
Es kann je nach Land unterschiedliche andere Rechte geben.

©2008 Bushnell Outdoor Products

TABELLE ZUR STÖRUNGSBEHEBUNG

Wenn das Gerät nicht einschaltet – Das LCD-Display leuchtet nicht auf:

- Aktivierungsknopf drücken
- Batterie prüfen und bei Bedarf austauschen

Wenn das Gerät auf den Knopfdruck nicht reagiert, die Batterie mit einer 9 Volt Batterie guter Qualität ersetzen.

Wenn das Gerät abschaltet (Beim Versuch, den Laser einzuschalten geht das Display aus):

- Die Batterie ist entweder schwach oder von schlechter Qualität. Die Batterie mit einer 9 Volt Batterie guter Qualität ersetzen. Starkstrombatterien werden NICHT empfohlen.

Wenn die Zielmessung nicht funktioniert:

- Prüfen, ob das LCD-Display leuchtet
- Sicherstellen, dass der Aktivierungsknopf gedrückt ist
- Sicherstellen, dass die Objektivlinsen nicht durch die Hand oder einen Finger verdeckt werden.
- Sicherstellen, dass das Gerät beim Drücken des Aktivierungsknopfes ruhig gehalten wird.

HINWEIS: Die letzte Entfernungablesung braucht nicht zurückgestellt zu werden, bevor ein anderes Ziel gemessen wird. Das neue Ziel einfach mit dem Fadenkreuz des LCD-Displays anpeilen, den Aktivierungsknopf drücken und festhalten, bis die neue Entfernung angezeigt wird.

Die Spezifikationen, Anweisungen und der Betrieb dieser Produkte können ohne Vorankündigung geändert werden.

ANMERKUNG BEZÜGLICH FCC-VORSCHRIFTEN:

Dieses Gerät wurde getestet und es entspricht den Vorgaben für ein Digitalgerät der Kategorie B, gemäß Teil 15 der FCC Vorschriften. Diese Grenzwerte werden vorgegeben, um in einem Wohngebäude einen vernünftigen Schutz vor schädlichen Störgeräuschen zu gewährleisten. Dieses Gerät erzeugt und verwendet Radiofrequenzenergie und kann diese ausstrahlen, und bei nicht der Bedienungsanleitung entsprechendem Einbau und Gebrauch kann es schädliche Störgeräusche für Rundfunksendungen verursachen. Es gibt jedoch keinerlei Garantie dafür, dass in keinem Wohngebäude Störgeräusche irgendwelcher Art auftreten. Wenn durch dieses Gerät schädliche Störgeräusche beim Rundfunk- oder Fernsehempfang auftreten, welche durch Ausschalten und erneutes Einschalten des Gerätes festgestellt werden können, so soll der Benutzer versuchen, mit Hilfe einer oder mehrerer der nachfolgend genannten Maßnahmen diese Störung zu beheben.

- Die Position der Empfangsantenne neu ausrichten oder diese an einen anderen Ort platzieren
- Den Abstand zwischen dem Gerät und dem Receiver vergrößern
- Das Gerät an einen Ausgang in einem anderen Stromkreis als den, mit dem der Receiver verbunden ist, anschließen
- Den Händler oder einen erfahrenen Radio- oder Fernsichttechniker um Hilfe fragen.

Das abgeschirmte Verbindungskabel muss mit dem Gerät verwendet werden, um die Vorgaben für ein Digitalgerät entsprechend Unterpunkt B des Abschnitts 15 der FCC Vorschriften zu erfüllen.



Bushnell®

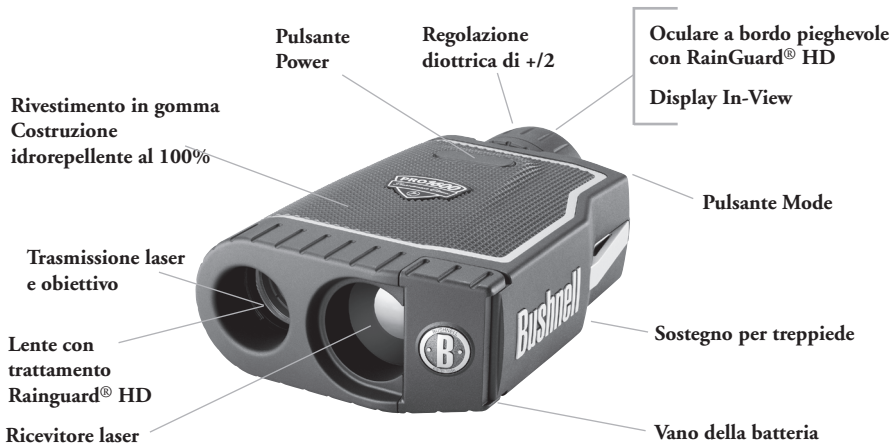
SER RANGEFINDERS



Model: 205105/205106
LIT. #: 98-1342/12-08

ITALIANO

Congratulazioni per il vostro acquisto del telemetro laser Bushnell® Pro™ 1600, il nostro principale telemetro laser per golfisti e il più utilizzato tra tutte le altre marche dai professionisti. Il telemetro Pro™ 1600 è uno strumento ottico laser di calcolo delle distanze concepito e realizzato per offrirle molti anni di piacevoli esperienze. Quest'opuscolo l'aiuterà ad ottenere il massimo delle prestazioni, spiegandole le caratteristiche funzionali del telemetro, come regolarlo e come prendersi cura di questo strumento ottico laser di precisione. Per garantire al telemetro Pro™ 1600 prestazioni ottimali e una lunga durata di servizio, prima dell'uso la preghiamo di leggere queste istruzioni.



INTRODUZIONE

Il telemetro Bushnell® Pro™ 1600 è uno strumento laser di altissima precisione basato sulla tecnologia digitale, che permette di rilevare distanze comprese tra 5 e 1463 metri. Nonostante le dimensioni compatte (4,5 x 13 x 9,4 cm) e il peso leggero (solo 340 grammi), Pro™ 1600 offre una capacità di rilevazione eccezionalmente accurata a una distanza di +/- un metro. Pro™ 1600 è dotato delle modalità Selective Targeting™, ha un'ottica di qualità eccezionale, è impermeabile al 100% ed è stato sottoposto al trattamento Bushnell RainGuard® HD.

FUNZIONAMENTO DELLA TECNOLOGIA DIGITALE

Il telemetro Pro™ 1600 emette impulsi laser ad infrarossi, invisibili, sicuri per gli occhi. Il sofisticato microprocessore digitale e il chip ASIC (Application-Specific Integrated Circuit) di Pro™ 1600 offrono in ogni momento rilevazioni istantanee e accurate. La sofisticata tecnologia digitale calcola istantaneamente le distanze misurando il tempo impiegato da ogni impulso per percorrere, andata e ritorno, la distanza fra il telemetro e il bersaglio.

PRECISIONE DI PUNTAMENTO

Nella maggior parte delle situazioni, la precisione di puntamento di Pro™ 1600 è all'incirca di un metro. La capacità massima dello strumento dipende dal potere riflettente del bersaglio. La distanza massima per la maggior parte degli oggetti è di 914 metri, mentre è di 1463 metri per oggetti molto riflettenti. Nota: sarà possibile ottenere sia la distanza massima che quella minima, a seconda della proprietà riflettenti del bersaglio particolare e delle condizioni ambientali presenti nel momento in cui viene misurata la distanza di un oggetto.

Il colore, la finitura superficiale, la dimensione e la forma del bersaglio influiscono sul potere riflettente e sulla distanza. Quanto più brillante è il colore, tanto maggiore sarà la distanza di puntamento possibile. Per esempio, il rosso è altamente riflettente e consente distanze di puntamento più lunghe del nero, che è il colore meno riflettente. Una finitura lucida consente un puntamento maggiore di una finitura opaca. Un bersaglio piccolo è più difficile da puntare di un bersaglio più grande. Anche l'angolazione rispetto al bersaglio influisce sul potere riflettente e sulla distanza. Mirare ad un bersaglio ad un'angolazione di 90 gradi (dove la superficie del bersaglio è perpendicolare al percorso di volo degli impulsi di energia emessi), offre un buon campo di puntamento, mentre un'angolazione molto stretta permette un campo di puntamento limitato. Inoltre, le condizioni di luce (per esempio, la quantità di luce solare) influiscono sulle capacità di puntamento dell'unità. Quanto minore sarà l'entità della luce disponibile (per esempio, con un cielo molto nuvoloso), tanto maggiore

sarà la capacità di puntamento massima dell'unità. Analogamente, giornate molto soleggiate riducono la capacità di puntamento massima dell'unità.

PER INIZIARE

INSERIMENTO DELLA PILA

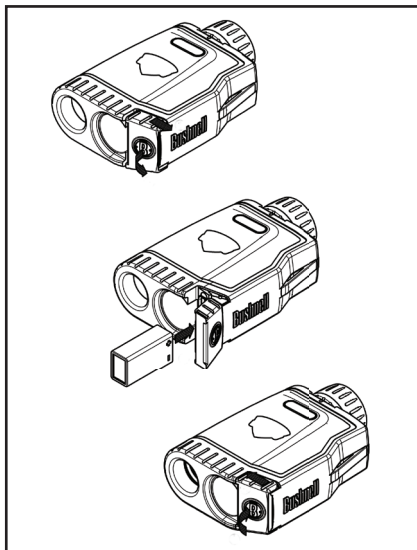
Far scorrere prima lo sportellino verso l'esterno. Lo sportellino a cardini adesso si può aprire. Inserire una pila alcalina da 9 volt nel vano portapila come indicato, poi chiudere lo sportello della pila fino a che non resta bloccato in posizione. Il vano portapila è realizzato in modo da accettare la pila solo nella corretta posizione. Pertanto, se non riuscite a chiudere lo sportello della pila, controllare che questa sia stata inserita correttamente.

NOTA: adoperate solo pile alcaline di alta qualità; non utilizzate pile al litio o heavy-duty. Si raccomanda di sostituire la pila ogni 12 mesi.

Indicatore di bassa carica delle pile: Se l'indicatore Y (Yarde) o M (Metri) lampeggia continuamente o "loB" è visualizzato nel display, la carica della pila sta diventando bassa e la pila da 9 volt deve essere sostituita.

REGOLAZIONE DELL'OCULARE

L'oculare di Pro™ 1600 è dotato di bordo pieghevole, studiato per aderire meglio e riparare dalla luce esterna. Se non portate occhiali da vista, girate il bordo dell'oculare in senso



antiorario mentre lo tirate finché non si blocca nella posizione estesa. Il Pro™ 1600 offre un'estrazione pupillare molto grande. Se portate occhiali da vista, accertatevi che il bordo dell'oculare siano piegato verso il basso, in modo che l'occhio si trovi quanto più vicino possibile alla lente e possiate così avere un campo visivo completo. Per abbassare il bordo dell'oculare dalla posizione estesa, giratelo in senso orario mentre lo spingete leggermente. È possibile anche regolare il bordo dell'oculare in posizioni intermedie tra quelle completamente in su e in giù, che per alcune persone possono essere più comode.

Il Pro™ 1600 è dotato anche di un oculare regolabile (regolazione diottrica di +/- 2) che consente di mettere a fuoco l'immagine e il display a cristalli liquidi semplicemente girando l'apposito anello.

MODALITÀ D'USO

Mentre osservate attraverso l'oculare da 7x, premete una volta il pulsante dell'alimentazione per accendere il display a cristalli liquidi. Puntate il reticolo circolare (situato al centro del campo visivo) verso un oggetto lontano almeno 5 metri, quindi premete e mantenete premuto il pulsante dell'alimentazione finché quasi in fondo al display non si visualizza la distanza misurata. I crocicchi intorno al reticolo circolare indicano che la trasmissione del laser è in corso. Una volta acquisita la distanza, rilasciate il pulsante. Dopo aver rilasciato il pulsante, i crocicchi spariscono (cioè, il laser non viene più trasmesso). Nota: una volta attivato, il display di Pro™ 1600 rimane acceso e visualizza l'ultima distanza misurata per 30 secondi. Potete premere di nuovo il pulsante dell'alimentazione in qualsiasi momento per misurare la distanza da un altro bersaglio. Così come per qualsiasi dispositivo laser, si raccomanda di non osservare direttamente le emissioni per lunghi periodi con lenti di ingrandimento. La durata massima di trasmissione (lancio) del laser è 10 secondi. Per lanciare di nuovo il laser, premere di nuovo il pulsante.

INDICATORI SUL DISPLAY A CRISTALLI LIQUIDI

Il display di Pro™ 1600 presenta indicatori illuminati che mostrano l'unità di misura, quando il laser sta lanciando, quando un bersaglio viene acquisito e le modalità di acquisizione del bersaglio. Queste caratteristiche sono descritte qui sotto.

INDICAZIONE DELL'UNITÀ DI MISURA


Il Pro™ 1600 può visualizzare le distanze misurate in yard o metri. Gli indicatori dell'unità di misura sono situati sulla parte inferiore destra del display. Per selezionare yard o metri, premete e rilasciate velocemente il pulsante POWER per accendere il display (posto sulla parte superiore del telemetro), osservate attraverso l'oculare, premete il pulsante MODE (sul lato sinistro dell'oculare) e mantenete premuto per circa 5 secondi. Se state passando da yard a metri, s'illumina la lettera M e la lettera Y si spegne; se state passando da metri a yard, s'illumina la Y e si spegne la M.

LASER ATTIVO

I crocicchi intorno al reticolo circolare indicano la trasmissione in corso del laser. Una volta acquisita la distanza, rilasciate il pulsante. Dopo aver rilasciato il pulsante, i crocicchi spariscono (il laser non viene più trasmesso).

MODALITÀ SELECTIVE TARGETING™

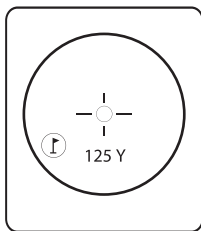
Il PINSEEKER® 1500 è stato concepito espressamente per i giocatori di golf. Le modalità selettive di puntamento consentono di regolare i parametri del telemetro in base alle condizioni e all'ambiente. Per passare da una modalità all'altra, premete una volta il pulsante POWER per accendere il telemetro. Mentre osservate attraverso l'oculare, premete e rilasciate rapidamente il pulsante MODE. Le varie modalità selettive di puntamento e i corrispondenti indicatori sono descritti qui sotto.

PinSeeker (Indicatore sul display – ) Avete mai avuto problemi nel calcolare la distanza alla bandierina? Questa modalità avanzata vi permette di ottenere facilmente la distanza solo alla bandierina, e non ad altri eventuali obiettivi sullo sfondo (per esempio, alberi) che hanno segnali più potenti.

In questa modalità, premete il pulsante POWER per accendere il telemetro. Allineate quindi il reticolo del mirino sulla bandiera alla quale desiderate calcolare la distanza. Premete e tenete poi premuto il pulsante POWER, e spostate lentamente il laser sulla bandierina o su altro oggetto desiderato, fino a quando un cerchietto circonda l'indicatore della bandierina. Se il fascio laser riconosce più di un oggetto (per esempio, la bandierina e gli alberi retrostanti), verrà visualizzata la distanza alla bandierina, ed un cerchietto circonda l'indicatore di PinSeeker segnalando all'utente che la distanza alla bandierina (cioè, l'oggetto più vicino) è visualizzata sul display (come mostrato qui sotto). Può accadere che il fascio laser veda solo un oggetto nella sua traiettoria. In questo caso, la distanza verrà visualizzata, ma, poiché è stato acquisito solo un oggetto, il cerchietto non circonda l'indicatore della bandierina.

CONSIGLIO: mentre premete il pulsante POWER, potete spostare lentamente il dispositivo da un oggetto ad un altro, e costringere volutamente il laser a colpire diversi oggetti al fine di garantirvi la visualizzazione solo dell'oggetto più vicino fra quelli riconosciuti dal laser.

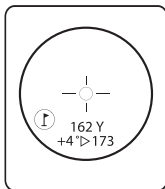
Una volta che il dispositivo è spento, l'unità torna automaticamente all'ultimo modo usato.



PinSeeker con Slope +/-™ (Indicatore sul display - °▷) Questa modalità avanzata è disponibile solo sul telemetro modello 20-5106 (Pro™ 1600 con Slope +/-™). Il modello 20-5106 è dotato di un inclinometro basato su un accelerometro, che visualizza in forma digitale l'esatto angolo di pendenza, da -20 a +20 gradi di altezza, con una precisione di +/- 1 grado. La modalità Slope +/-™ calcolerà automaticamente una distanza compensata per l'angolo, in base alla distanza e all'angolo determinati dal telemetro laser e dall'inclinometro incorporato. Questi dati vengono combinati con formule interne relative all'uso medio del club e alle traiettorie delle palline. La distanza compensata per l'angolo mostra la direzione su come fare il tiro (aggiungere distanza se si tratta di una pendenza; sottrarre distanza se si tratta di un declino).

Come usare Slope +/-™

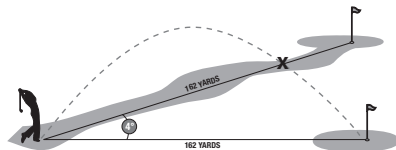
In questa modalità, vedrete un “ °▷ ” nel campo visivo che indica che vi trovate nella modalità Slope +/- . Premete il pulsante POWER per ottenere la distanza alla bandierina o ad altri oggetti. Dopo che la distanza è visualizzata, continuate a tenere premuto il pulsante POWER per circa 2 secondi, mantenendo al tempo stesso il cerchietto del mirino sulla bandierina e tenendo il più possibile ferma l'unità in modo da concedere sufficiente tempo all'inclinometro per misurare la pendenza. Rilasciate quindi il pulsante POWER. Dopo aver rilasciati il pulsante dell'alimentazione, sotto la distanza standard saranno visualizzati un grado di angolazione e la distanza compensata, come illustrato qui sotto.



In quest'esempio, la distanza vera è 162 yard, la pendenza è +4 gradi e la distanza compensata è 173 yard. Il simbolo “ °▷ ” significa “Gioca così”: pertanto, invece di giocare in base a 162 yard, giocate come se fossero 173 yard.

Il vantaggio di Slope+/-™

Nel disegno qui sotto, la distanza alla bandierina A è 162 yard. 162 yard è anche la distanza alla bandierina B, che però si trova su un pendio. Tuttavia, se vorreste giocare questa buca come se fosse a 162 yard di distanza, la pallina (X) non arriverebbe alla buca/bandierina perché non avreste tenuto conto della pendenza.



La verità sulle pendenze

Provare a determinare l'angolo di pendenza ad occhio nudo può dare risultati piuttosto ingannevoli. La maggior parte di noi non è versata per determinare accuratamente l'angolo di pendenza. Per esempio, la pendenza media della maggior parte dei campi da golf è di circa 4 gradi. In un campo da golf, una pendenza grande generalmente non supera gli 8 gradi. Naturalmente, ciò non è un fatto generale, ed è per questo motivo che il dispositivo misurerà pendenze comprese fra -20 e 20 gradi.

Chiariamo questo concetto con alcuni esempi concreti. Una pendenza moderata di un tetto è di 6/12, vale a dire che il tetto s'innalza di 15 cm per ogni 30 cm di distanza orizzontale. Ciò equivale a 26,5 gradi. Potete affrontare questa pendenza nell'appendere le luci sull'albero di Natale, ma, nel campo da golf, sostenerla per la distanza di un buon tiro non sarebbe come fare una comoda passeggiata. Per recuperare un tiro di 200 yard, dovrete salire 90 metri!

Esempio nel golf: immaginiamo che siete un forte colpitore con un tiro di 300 yard. Alla pendenza di 20 gradi, il birillo sarebbe a 50 metri sopra di voi. In altri termini, mandereste la pallina in cima ad un palazzo di 5 piani!

NOTA: per vostra comodità, la modalità Slope +/-™ contiene anche la funzione/Modalità PinSeeker.® Se in un momento qualsiasi preferite non usare la modalità Slope +/-™, premete semplicemente il pulsante MODE per passare a PinSeeker.® o a Standard con Automatic SCAN Mode™.

Standard con Automatic SCAN Questa impostazione consente di misurare la distanza di un bersaglio sino a 1463 metri. È utile per oggetti con riflettività moderata, tipici nella maggior parte delle situazioni. La distanza minima in questa modalità è 5 metri. Per utilizzare la funzione Automatic SCAN, mantenete premuto il pulsante POWER per circa 3 secondi, ed usate la funzione SCAN del telemetro da un oggetto ad un altro, lasciando non premuto il pulsante POWER. Automatic SCAN aggiorna continuamente la portata man mano che si acquisisce un bersaglio dopo l'altro.

CARATTERISTICHE OTTICHE

Ingrandimento e trattamento

Il Pro™ 1600 utilizza un potente monocolare con ingrandimento 7x per l'osservazione dei bersagli. Le lenti sono state sottoposte per la loro intera superficie a un trattamento multistrato che permette la massima trasmissione della luce ai fini di una luminosità ottimale, altissima risoluzione e contrasto di altissimo livello per ottenere un'immagine nitidissima anche in condizioni di scarsa illuminazione, come ad esempio al crepuscolo o all'alba. Sul sistema ottico è montato un display a cristalli liquidi che, quando è acceso, visualizza un reticolo per l'inquadratura del bersaglio, l'unità di misura (Y o M per yard o metri) e un indicatore della modalità operativa. I piccoli punti neri che compaiono nel sistema ottico sono intrinseci al processo di fabbricazione; costituiscono una caratteristica naturale del display e non possono essere eliminati completamente durante la produzione, tuttavia non influiscono sulle prestazioni del telemetro.

RainGuard® HD

Le superfici esterne dell'obiettivo e dell'oculare sono state sottoposte al trattamento brevettato Bushnell RainGuard® HD, consistente nell'applicare alle lenti un rivestimento permanente idrorepellente che previene l'appannamento causando la condensazione della pioggia, del nevischio, della neve o anche dell'aria espirata in goccioline molto più piccole di quelle che si formano sui rivestimenti standard. Quando le goccioline sono più piccole e distribuite uniformemente, diffondono meno luce e ne consegue una visione più nitida e luminosa.

SOSTEGNO PER TREPPIEDE

Nella parte inferiore di Pro™ 1600 è integrato un sostegno filettato che consente di fissare un treppiede per ottenere una maggiore stabilità del telemetro durante lunghi periodi di uso.

DATI TECNICI:

Dimensioni: 4,3 x 13 x 9,4 cm

Peso: 340 g

Precisione della lettura di distanza: +/- 1 m

Portata: 5 - 1463 m

Ingrandimento: 7x

Diametro dell'obiettivo: 26 mm

Trattamento delle lenti: sulla loro intera superficie, multistrato

Display: a cristalli liquidi

Alimentazione: pila alcalina da 9 volt (fornita dall'utente)

Campo visivo: 103 m a 914 m

Grandissima estrazione pupillare: 19 mm

Pupilla di uscita: 3,7 mm

Costruzione idrorepellente al 100%

Trattamento delle lenti RainGuard® HD

Sostegno integrato per treppiede

Custodia e tracolla incluse

Brevetto#s: 6,445,444 | 5,612,779 | 6,057,910 | 6,226,077 | 6,542,302 | 7,239,377 (205106)

PULIZIA

Spolverate le lenti soffiandovi delicatamente (o adoperate un pennellino morbido per lenti). Per ripulire le lenti dallo sporco o da impronte digitali, adoperate un panno di cotone morbido, passandolo con movimenti circolari. Utilizzando

un panno ruvido o strofinando eccessivamente si possono graffiare le lenti e anche danneggiarle irreversibilmente. Per una pulizia più accurata si possono usare salviette per lenti e un detergente apposito o alcol isopropilico. Applicare sempre il liquido al panno, mai direttamente alle lenti.

GARANZIA LIMITATA DI DUE ANNI

Si garantisce che questo prodotto Bushnell sarà esente da difetti di materiale e fabbricazione per due anni a decorrere dalla data di acquisto. In caso di difetto durante il periodo di garanzia, a nostra discrezione ripareremo o sostituiremo il prodotto purché sia restituito franco destinatario. Sono esclusi dalla garanzia eventuali danni causati da abuso, maneggiamento improprio, installazione o manutenzione eseguiti da persone non autorizzate dal servizio di assistenza Bushnell.

A un prodotto restituito e coperto da questa garanzia occorre allegare quanto segue.

- 1) Assegno/ordine di pagamento per l'importo di 10 \$US per coprire i costi di spedizione.
- 2) Nome e indirizzo da utilizzare per la restituzione del prodotto.
- 3) Una spiegazione del difetto.
- 4) Scontrino riportante la data di acquisto.
- 5) Il prodotto deve essere imballato in una scatola robusta, per prevenire danni durante il trasporto, e va spedito franco destinatario a uno dei seguenti indirizzi.

Recapito negli Stati Uniti

Bushnell Outdoor Products
Attn.: Repairs
8500 Marshall Drive
Lenexa, Kansas 66214 USA

Recapito in Canada

Bushnell Outdoor Products
Attn.: Repairs
25A East Pearce Street, Unit 1
Richmond Hill, Ontario L4B 2M9

Per prodotti acquistati fuori degli Stati Uniti o del Canada, rivolgersi al rivenditore per le clausole pertinenti della garanzia. In Europa si può anche contattare la Bushnell al seguente recapito.

Bushnell Outdoor Products Gmbh
European Service Centre
MORSESTRASSE 4
D- 50769 KÖLN
GERMANIA
N. telefonico: +49 (0) 221 709 939 3
N. di fax: +49 (0) 221 709 939 8

Questa garanzia dà specifici diritti legali.
Eventuali altri diritti variano da una nazione all'altra.
©2008 Bushnell Outdoor Products

GUIDA ALLA SOLUZIONE DEI PROBLEMI

Se il telemetro o il display non si accende:

- premete il pulsante POWER.
- controllate e se necessario sostituite la pila.

Se il telemetro non risponde alla pressione di un tasto, sostituite la pila con una pila alcalina da 9 volt di buona qualità.

Se il telemetro si spegne (il display si spegne al momento di alimentare il laser):

- la pila è quasi scarica o di bassa qualità; sostituitemela con una pila alcalina da 9 volt di buona qualità. Le pile alcaline heavy-duty NON sono raccomandate.

Se non si riesce a misurare la distanza dal bersaglio:

- accertarsi che il display sia acceso.
- accertarsi che il pulsante POWER sia premuto.
- accertarsi che niente, per esempio la mano o il dito, blocchi le lenti dell'obiettivo (quelle più vicine al bersaglio) che emettono e ricevono gli impulsi laser.
- accertarsi che il telemetro rimanga fermo mentre si preme il pulsante POWER.

NOTA: non occorre cancellare l'ultima misura visualizzata prima di eseguire un'altra misura di distanza; basta mirare al nuovo bersaglio utilizzando il reticolo del display a cristalli liquidi, premere il pulsante POWER e mantenerlo premuto finché non si visualizza la nuova misura.

Le specifiche, le istruzioni e il funzionamento di questi prodotti possono cambiare senza preavviso.

Annotazioni FCC:

Questo apparecchio è stato testato e riscontrato conforme ai limiti stabiliti per gli apparati digitali di classe B, ai sensi della Parte 15 delle normative FCC. Tali limiti sono stati fissati per fornire una protezione ragionevole contro le interferenze dannose nelle installazioni residenziali. Questo apparecchio genera, utilizza e può irradiare energia a radiofrequenza e, pertanto, se non viene installato e utilizzato in conformità alle istruzioni fornite potrebbe interferire con le comunicazioni radio. Non è comunque possibile garantire l'assenza delle interferenze in ogni installazione. Se l'apparecchio interferisce con la ricezione radiotelevisiva, verificabile spegnendolo e riaccendendolo, si consiglia di eliminare l'interferenza in uno dei modi seguenti:

- Riorientando o riposizionando l'antenna ricevente.
- Aumentando la distanza dall'apparecchio al ricevitore.
- Inserendo l'apparecchio nella presa di un circuito diverso da quello in cui è inserito il ricevitore.
- Rivolgersi, se necessario, al concessionario o ad un tecnico competente.

Utilizzare il cavo interfaccia schermato per soddisfare i limiti dei dispositivi digitali definiti nel sottoparagrafo B della Parte 15 delle normative FCC.



Bushnell®

SER RANGEFINDERS

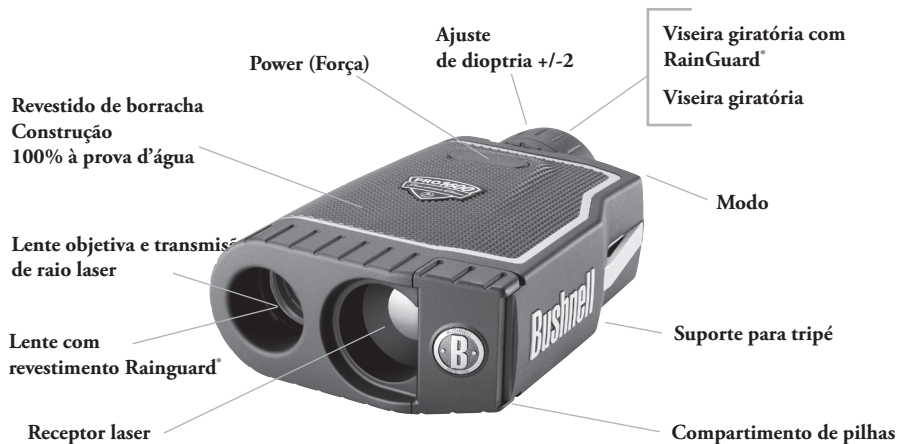


Model: 205105/205106
LIT. #: 98-1342/12-08

PORTUGUÊS

Saiba qual é a distância à BANDEIRA todas as vezes!

Parabéns pela aquisição do telêmetro a laser (Rangefinder) Bushnell® Pro™ 1600, nosso telêmetro a laser mais sofisticado para golfistas e mais usado por profissionais do golfe do que por outros setores. O Pro™ 1600 é um instrumento óptico de precisão projetado para oferecer muitos anos de satisfação. Este livreto ajudará você a obter um ótimo desempenho, explicando seus ajustes, recursos e também como cuidar desse preciso instrumento óptico de telêmetro a laser. Para garantir o melhor desempenho e duração, leia essas instruções antes de usar seu Pro™ 1600.



INTRODUÇÃO

Seu Bushnell® Pro™ 1600 é um telêmetro a laser superior e avançado, incluindo Tecnologia Digital, permitindo fazer leituras na faixa de 5-1600 jardas / 5-1463 metros. Medindo 4,3 x 12,7 x 9,3 cm e pesando 340 gramas, o PINSEEKER® 1500 oferece extraordinário desempenho e precisão de medidas: +/- 1 jarda (1 m). Ele apresenta os recursos de Selective Targeting™ Modes (Modos Seletivos de Mira), uma qualidade óptica esplêndida, construção 100% à prova d'água e o revestimento RainGuard® da Bushnell.

COMO FUNCIONA NOSSA TECNOLOGIA DIGITAL

O Pro™ 1600 emite pulsos de energia infravermelho, invisíveis e seguros para os olhos. Seu microprocessador digital avançado e o chip ASIC (Application-Specific Integrated Circuit – Circuito Integrado de Aplicação Específica) proporcionam leituras instantâneas e precisas, todas as vezes. A sofisticada tecnologia digital calcula instantaneamente as distâncias, medindo o tempo que leva para cada pulso se deslocar do telêmetro ao alvo e de volta.

PRECISÃO DE MEDIDAS

Na maioria dos casos, a precisão da leitura do Pro™ 1600 é de mais ou menos uma jarda/ um metro. O alcance máximo do instrumento depende da refletividade do alvo. A distância máxima para a maioria dos objetos é de 1000 jardas / 914 metros ao passo que, para objetos altamente refletivos, chega a 1600 jardas / 1463 metros. Nota: As distâncias obtidas poderão ser maiores ou menores, dependendo das propriedades refletivas do alvo em questão e das condições ambientais no momento em que a distância ao objeto for medida.

A cor, o acabamento da superfície, o tamanho e a forma do alvo – tudo isso afeta a refletividade e a distância. Quanto mais brilhante a cor, maior a distância que pode ser medida. O vermelho, por exemplo, é altamente refletivo e permite medidas de maiores distâncias do que o preto, a cor menos refletiva. Um acabamento brilhoso oferece maior alcance do que um fosco. Alvos pequenos são mais difíceis de captar do que os maiores. O ângulo ao alvo também influencia na distância atingida. Apontar para um alvo num ângulo de 90 graus (quando a superfície do alvo é perpendicular à trajetória percorrida pelos pulsos de energia emitidos) proporcionará uma maior leitura de distância ao passo que um ângulo acentuado limitará essa. Além disso, as condições de iluminação (como a quantidade de luz do sol, por

exemplo) afetarão as capacidades da unidade. Quanto menos luz (como em dias encobertos), maior será o alcance máximo da unidade. Por outro lado, em dias muito ensolarados, ele será reduzido.

COMO COMEÇAR

INSERÇÃO DA PILHA

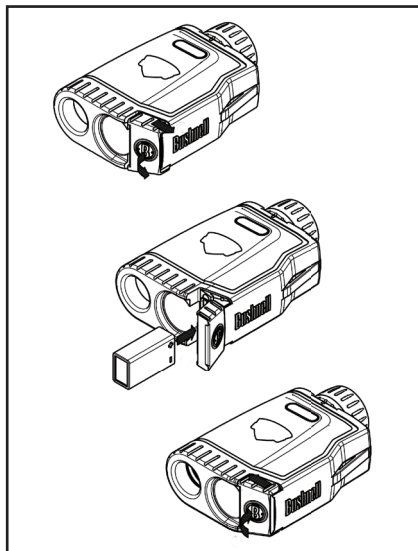
Primeiro, desloque a porta para o lado externo. A porta articulada agora pode ser aberta. Insira uma bateria alcalina de 9V na abertura, conforme indicado, então feche a porta do compartimento e desloque-a até que se encaixe no lugar próprio. A abertura da pilha foi projetada de modo a aceitá-la somente a pilha na posição correta. Por essa razão, se você não for capaz de fechar a porta do compartimento de pilha, verifique para garantir que a pilha foi corretamente instalada.

NOTA: Use somente pilhas alcalinas de alta qualidade. Não use pilhas para regimes de serviço pesado ou pilhas de lítio. Recomenda-se trocar a pilha pelo menos uma vez a cada 12 meses.

Indicador de Pilha Fraca: Se o indicador Y (Jardas) ou M (Metros) piscar continuamente ou se for mostrado “IoB” dentro do campo de leitura, a carga da pilha está ficando fraca e a pilha alcalina de 9 volts deve ser substituída.

COMO AJUSTAR A OCULAR

O PINSEEKER® 1500 é construído com uma viseira



giratória, projetada para oferecer conforto e eliminar a luz externa supérflua. Os usuários sem óculos devem girar a viseira no sentido anti-horário, puxando-a ao mesmo tempo até que trave na posição totalmente “para cima”. O Pro™ 1600 apresenta uma distância olho-ocular extra longa. Se você usa óculos, certifique-se de que a viseira esteja para baixo – isso aproximará seu olho da lente, permitindo observar todo o campo de visão. Para abaixar a viseira de sua posição totalmente “para cima”, gire ela no sentido horário enquanto você a pressiona, ao mesmo tempo, levemente para baixo. É possível deixar a viseira em posições “intermediárias”, entre totalmente para cima e para baixo, que se adaptem melhor para certos indivíduos.

O Pro™ 1600 inclui também uma ocular ajustável (ajuste de dioptria +/- 2), permitindo focar o display LCD em relação à imagem. Basta girar o ajuste de dioptria até que o LCD esteja em foco.

RESUMO OPERACIONAL

Olhando pela ocular de 7x, aperte o botão de força uma vez para ativar o sistema do display de cristal líquido (LCD) de observação. Posicione o círculo de pontaria (localizado no centro do campo de visão) em um alvo que esteja a pelo menos 5 m de distância, aperte e mantenha o botão de força pressionado até que a leitura de distância seja exibida próxima da parte inferior do display de observação. Fios de retículo em torno do círculo de pontaria indicam a transmissão de laser. Após obter a leitura de distância, pode-se soltar o botão de força. Os fios de retículo em torno do círculo de pontaria irão desaparecer depois que o botão de força for solto (ou seja, o laser não está mais transmitindo). Nota: Uma vez acionado, o LCD do Pro™ 1600 permanecerá ativo e exibirá a medida da última distância por 30 segundos. Pode-se apertar o botão de força novamente cada vez que se deseja fazer a leitura da distância de um novo alvo. Assim como com qualquer outro dispositivo a laser, não se recomenda observar as emissões diretamente por longos períodos com lentes de aumento. O tempo máximo de transmissão do laser é de 10 segundos. Para dispará-lo outra vez, pressione o botão novamente.

INDICADORES DO DISPLAY DE CRISTAL LÍQUIDO (LCD)

O LCD de seu Pro™ 1600 inclui indicadores iluminados que informam a unidade da medida, quando o laser está disparando, quando alcançou o alvo e os modos de obtenção da mira. Um resumo desses recursos é apresentado abaixo:

OPÇÕES DA UNIDADE DE MEDIDA


O Pro™ 1600 pode ser usado para medir distâncias em jardas ou em metros. Os indicadores da unidade de medida ficam localizados na área inferior direita do LCD. Para selecionar entre jardas e metros, pressione e solte rapidamente o botão POWER (na parte superior da unidade) para ligar a unidade, olhe pela ocular, pressione o botão “MODE” (à esquerda de ocular) e mantenha-o pressionado por aproximadamente 5 segundos. Se estiver mudando de jardas para metros, a mudança na unidade de medida será indicada pela iluminação da letra M, enquanto o Y, representando as jardas, será desligado. Quando a mudança for de metros para jardas, ocorrerá o oposto. O PINSEEKER® 1500 retornará à última unidade de medida configurada, cada vez que a unidade for ligada.

LASER ATIVO

Fios de retículo em torno do círculo de pontaria indicam a transmissão de laser. Após obter a leitura de distância, pode-se soltar o botão de força. Os fios de retículo em torno do círculo de pontaria irão desaparecer depois que o botão de força for solto (ou seja, o laser não está mais sendo transmitindo).

MODOS SELECTIVE TARGETING™ (MODOS DE MIRA SELETIVOS)

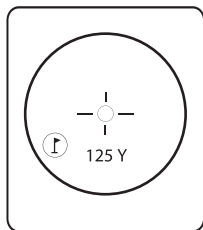
O Pro™ 1600 foi projetado tendo-se os jogadores de golfe em mente. Os modos de mira seletivos permitem ajustar os parâmetros de desempenho da unidade para que se adaptem melhor à situação e ambiente específicos. Para passar de um modo a outro, pressione o botão POWER uma vez para ligar a unidade. Olhando pela ocular, pressione o botão MODE e solte-o rapidamente. Os diferentes modos de obtenção da mira e os indicadores de modo estão relacionados abaixo:

PinSeeker (Indicador no LCD – ) Você tem problemas para estimar a distância até a bandeira? Esse modo avançado permite adquirir essa distância com facilidade sem que, inadvertidamente, se obtenham distâncias de objetos no plano de fundo (como por exemplo árvores) que possuam sinais de maior intensidade.

Quando você se encontrar nesse modo, pressione o botão POWER para ligar a unidade. Em seguida, alinhe o retículo do círculo de pontaria com a bandeira cuja distância você deseja medir. Após, pressione e mantenha o botão POWER pressionado e mova o laser lentamente sobre a bandeira ou o objeto desejado até que um círculo fique em volta do indicador de bandeira. Se o feixe de laser tiver reconhecido mais de um objeto (como por exemplo a bandeira e árvores ao fundo), será exibida a distância da bandeira e um círculo ficará em volta do indicador informando ao usuário que a distância até a bandeira (ou seja, o objeto mais próximo) está sendo exibida no LCD (como indicado abaixo). Há situações em que o feixe de laser identifica apenas um objeto em sua trajetória. Nesse caso a distância será exibida, mas como não foi obtida a distância de mais de um objeto o círculo não ficará em volta do indicador da bandeira.

DICA: Ao pressionar o botão POWER, pode-se movimentar lentamente o dispositivo de um objeto a outro e intencionalmente forçar o laser para que atinja objetos múltiplos assegurando que apenas aquele mais próximo seja reconhecido por ele.

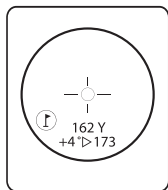
Depois que o dispositivo desligar, a unidade sempre retornará ao último modo usado.



PinSeeker com Slope +/-™ (Indicador no LCD - °▷) Esse modo avançado será encontrado apenas no modelo 20-5106 (PinSeeker 1500 com Slope +/-™). O modelo 20-5106 apresenta um inclinômetro interno baseado em acelerômetro que exibe digitalmente o ângulo de inclinação exato entre elevações de -20 a +20 graus, com uma precisão de +/- 1,0 grau. O modo Slope +/-™ calculará automaticamente uma faixa de compensação de ângulo baseada na distância e ângulo de inclinação determinados pelo telêmetro a laser e o inclinômetro embutido. Esses dados são posteriormente combinados com equações algorítmicas internas que lidam com o uso médio do taco de golfe e das trajetórias das bolas. A faixa de compensação de ângulo oferece uma orientação de como dar a tacada (por exemplo, adicionar distância no caso de auge, subtrair no caso de declive).

Como usar o Slope +/-™

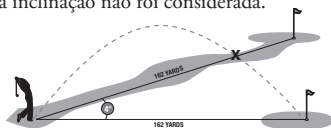
Quando o dispositivo estiver neste modo, aparecerá “°▷” no campo de visão informando que você se encontra no Modo Slope +/- . Pressione o botão POWER para obter a distância até a bandeira ou outros objetos. Após a exibição da medida, continue pressionando o botão POWER por aproximadamente 2 segundos, mantenha o círculo de pontaria na bandeira e a unidade o mais estável possível a fim de permitir tempo suficiente para o inclinômetro medir a inclinação. Depois solte o botão POWER. Após soltá-lo, o grau do ângulo e a distância compensada serão exibidos abaixo da distância padrão, como indicado abaixo.



Neste exemplo, a distância verdadeira é de 162 jardas, a inclinação é +4 graus e a distância equivalente (compensada) é 173 jardas. O símbolo “°▷” significa “Jogue como”, ou seja, em vez de tacar para uma distância de 162 jardas, “jogue como” se fossem 173 jardas.

A vantagem do Slope+/-™

A distância até a bandeira A no desenho abaixo é de 162 jardas. 162 jardas é também a distância até a bandeira B, embora haja uma inclinação. Por esse motivo, se você der uma tacada para cobrir a distância de 162 jardas, a bola (X) não alcançaria o buraco/bandeira já que a inclinação não foi considerada.



A verdade sobre inclinações

Tentar estabelecer o ângulo de uma inclinação a olho nu pode ser perigoso. A maioria de nós não tem conhecimento suficiente para determinar a inclinação de um ângulo com precisão. Por exemplo, a inclinação média da maioria dos campos de golfe é de 4 graus. Uma inclinação considerada elevada em um campo de golfe geralmente não passa de 8 graus. É evidente que isso pode variar, razão pela qual esse dispositivo medirá inclinações entre -20 a +20 graus.

Alguns exemplos práticos podem ajudar a esclarecer! Nos EUA, a declividade moderada de um telhado é 6/12, ou seja, o telhado sobe seis polegadas em cada 12 polegadas de distância horizontal. Isso equivale a 26,5 graus. Você pode subir essa inclinação ao colocar a decoração das luzes de Natal, mas subir a mesma inclinação na extensão de uma boa tacada em um campo de golfe poderia se tornar exaustivo. Para verificar uma tacada de 180 metros, seria necessário subir 90 metros!

Exemplo no jogo de golfe: Vamos assumir que você é um ótimo jogador, capaz de lançar a bola a 210 metros de distância. Com um ângulo de 20 graus, o marco com a bandeira estaria 15 metros acima de você. Em outras palavras, a bola precisaria ser lançada a uma altura que equivale ao topo de um prédio de cinco andares!!!

NOTA: Para a sua conveniência, o modo Slope +/-™ inclui também o recurso/modo PinSeeker.® Se, em algum momento, você decidir não usar o modo Slope +/-™, basta pressionar o botão MODE (MODO) para passar ao PinSeeker® ou Automatic SCAN Mode.™

Padrão com varredura (SCAN) automática Este ajuste permite que a maioria dos alvos esteja até 1600 jardas (1463 metros) de distância. Usado para alvos moderadamente refletivos, típicos na grande maioria das situações de medidas de distância. A distância mínima no modo padrão é de 5 jardas (5 m). Para usar o recurso de varredura (SCAN) automática, basta pressionar o botão POWER por aproximadamente 3 segundos e escanear o telêmetro de objeto a objeto mantendo esse botão pressionado. A varredura automática permitirá que a distância e o display sejam continuamente atualizados com rapidez, à medida que se apontam para objetos múltiplos.

DESIGN ÓPTICO

Ampliação e revestimentos

O Pro™ 1600 inclui um potente monóculo com ampliação de 7x para a observação de alvos. Óptica totalmente multirevestida, permitindo a mais elevada transmissão de luz para proporcionar um brilho ótimo, esplêndida resolução e contraste para uma imagem nítida, vívida, mesmo nas baixas condições de luminosidade, como durante o anoitecer ou amanhecer. Um display de cristal líquido (LCD) é montado dentro do sistema óptico e, quando ativado, exibe um retículo para os indicadores de alvo, distância medida em jardas / metros, e indicadores de modos. No sistema óptico, aparecem pequenas manchas pretas, inerentes ao processo de fabricação. Essas manchas são uma característica natural do LCD e não podem ser totalmente eliminadas. Elas não afetam o desempenho de medição da distância da unidade.

RainGuard® HD

As superfícies externas das lentes da ocular e objetiva são revestidas com RainGuard® HD. RainGuard® HD é um revestimento para lentes hidrofóbico (repele a água), patenteado e permanente da Bushnell, que evita o embaçamento, fazendo com que a condensação causada pela chuva, neve, ou até mesmo de sua própria respiração formem gotículas bem menores do que outros revestimentos padrão. Gotículas uniformes menores dispersam menos luz, resultando em uma observação mais clara e com maior luminosidade.

MONTAGEM DO TRIPÉ

Moldado na parte de baixo do nosso Pro 1600, existe um tripé rosqueado que permite a conexão dos seguintes acessórios para golfe da Bushnell:

Instalação em Carro de Golf: Acopla o telêmetro a laser ao seu carro de golfe para fácil acesso. Braçadeira de liberação rápida que se acopla ao carro de golfe e pode ser depois facilmente removida.

Monopé do Carro “Push / Pull”: Firme a mão com este monopé de telescópio. Acople simplesmente o telêmetro ao monopé e insira no suporte do guarda-sol do carro.

ESPECIFICAÇÕES:

Dimensões: 1,7 x 5,1 x 3,7 polegadas (4,3 x 12,7 x 9,3 cm)

Peso: 340 gramas (12 onças)

Precisão da leitura de distância: +/- 1 m (1 jarda)

Faixa: 5-1600 jardas / 5-1463 metros

Ampliação: 7x

Diâmetro da lente objetiva: 26 mm

Revestimentos ópticos: Totalmente multirevestido

Display: LCD

Fonte de alimentação: pilha alcalina de 9 volts (fornecida pelo usuário)

Campo de visão: 340 pés a 1000 jardas (10200 cm a 921 m)

Distância olho-ocular extra longa: 19mm

Saída pupilar: 3,7 mm

Construção 100% à prova d'água

Revestimento de Proteção contra Chuva (“RainGuard® HD Coating”)

Montagem de tripé integrada

Inclui estojo e alça

Patente#s: 6,445,444 | 5,612,779 | 6,057,910 | 6,226,077 | 6,542,302 | 7,239,377 (205106)

LIMPEZA

Sopre levemente toda a sujeira ou detritos nas lentes (ou use uma escova macia para lentes). Para retirar a sujeira ou marcas deixadas pelos dedos, limpe com tecido de algodão macio, usando movimentos circulares. A utilização de

um pano áspero ou o atrito desnecessário poderá arranhar a superfície da lente e causar danos irreversíveis. Para uma limpeza mais completa, pode-se usar um lenço especial para lentes com fluido de limpeza “tipo fotográfico” ou com álcool isopropílico. Coloque sempre o fluido sobre o pano de limpeza, nunca diretamente sobre a lente.

GARANTIA LIMITADA DE DOIS ANOS

Seu produto Bushnell oferece uma garantia contra defeitos nos materiais e fabricação por um período de dois anos após a data de compra. Caso haja um defeito durante o prazo vigente desta garantia, iremos, segundo nossa discricão, reparar ou substituir o produto, desde que você remeta o mesmo com porte postal pré-pago. Esta garantia não cobre danos causados pelo uso indevido, manuseio impróprio e a instalação ou manutenção realizada por qualquer outra empresa ou indivíduo, exceto o Departamento de Serviços Autorizados da Bushnell (Bushnell Authorized Service Department).

Toda devolução feita sob esta garantia deverá incluir os itens relacionados abaixo:

- 1) Um cheque/money order no valor de US\$ 10,00 para cobrir o custo de porte e manuseio
- 2) Nome e endereço para a devolução do produto
- 3) Uma explicação do defeito
- 4) Comprovante da data de compra
- 5) O produto deverá ser embalado em uma caixa para transporte resistente, para evitar danos em trânsito, com porte de retorno pré-pago ao endereço relacionado abaixo:

Nos EUA envie para:

Bushnell Outdoor Products
Attn.: Repairs
8500 Marshall Drive
Lenexa, Kansas 66214

No CANADÁ envie para:

Bushnell Outdoor Products
Attn.: Repairs
25A East Pearce Street, Unit 1
Richmond Hill, Ontário L4B 2M9

Para produtos adquiridos fora dos Estados Unidos ou Canadá, entre em contato com seu revendedor local, para obter informações de garantia aplicáveis ao produto adquirido. Na Europa, contate a Bushnell em: BUSHNELL Performance Optics GmbH

European Service Centre (Centro de Serviço na Europa)
MORSESTRASSE 4
D- 50769 KÖLN
ALEMANHA
Tel: +49 (0) 221 709 939 3
Fax: +49 (0) 221 709 939 8

Esta garantia concede-lhe direitos legais específicos.
Você poderá ter outros direitos, que variam de país para país.
© 2008 Bushnell Outdoor Products

TABELA DE IDENTIFICAÇÃO E SOLUÇÃO DE PROBLEMAS

A unidade não liga – o LCD não acende:

- Pressione o botão de força.
- Verifique a pilha, trocando se necessário.

Se a unidade não reagir quando a tecla for pressionada, troque a pilha por uma outra pilha alcalina de 9 Volts e de boa qualidade.

Se faltar energia (o display fica totalmente em branco ao tentar energizar o laser):

- A pilha está fraca ou é de baixa qualidade. Troque a pilha por uma pilha alcalina de 9 Volts e de boa qualidade. NÃO se recomenda o uso de pilhas alcalinas para serviços pesados.

Se a leitura da distância do alvo não puder ser obtida:

- Certifique-se de que o LCD esteja iluminado.
- Verifique se o botão de força está pressionado.
- Tenha certeza de que nada, como sua mão ou dedo, esteja bloqueando as lentes objetivas (lentes mais próximas do alvo) que emitem e recebem os pulsos de laser.
- Certifique-se de manter a unidade estável ao pressionar o botão de força.

NOTA: A última leitura de distância não necessita ser removida antes de se passar para um novo alvo. Basta mirar no novo alvo usando o retículo do LCD, apertar o botão de força e mantê-lo pressionado até que a nova distância seja exibida.

As especificações, instruções e operação desses produtos estão sujeitas a alterações sem aviso prévio.

NOTA DA FCC:

Este equipamento foi testado e verificou-se que cumpre com os limites para um dispositivo digital Classe B, de acordo com a Parte 15 das regras da FCC. Esses limites são estabelecidos para oferecer proteções adequadas contra a interferência prejudicial em uma instalação residencial. Este equipamento gera, usa e pode irradiar energia de radiofrequência e, se não for instalado e usado de acordo com as instruções, poderá causar interferência prejudicial nas radiocomunicações. Entretanto, não há garantia de que não ocorrerão casos de interferência em determinadas instalações. Se este equipamento causar interferência prejudicial na recepção de rádio ou televisão (a qual poderá ser determinada ligando-se e desligando-se o equipamento), tente corrigir o problema adotando uma ou mais das medidas seguintes:

- Reorientar ou mudar o lugar da antena receptora.
- Aumentar a distância entre o equipamento e receptor.
- Conectar o equipamento em uma tomada que faça parte de um circuito diferente daquele onde o receptor se encontra conectado.
- Consultar um representante ou um técnico experiente em rádio/televisão para auxílio.

O cabo de interferência blindado deve ser usado com o equipamento para cumprir os limites de dispositivo digital segundo a Sub-parte B da Parte 15 das Regras da FCC.

Projetos e especificações estão sujeitos a mudanças sem aviso prévio ou obrigação por parte do fabricante.



Bushnell®

www.bushnell.com

©2008 Bushnell Outdoor Products