

# Air-Conditioners

Indoor unit

## PKA-A·KA4

### **OPERATION MANUAL**

For safe and correct use, please read this operation manual thoroughly before operating the air-conditioner unit.

FOR USER

### **MANUEL D'UTILISATION**

Pour une utilisation correcte sans risques, veuillez lire le manuel d'utilisation en entier avant de vous servir du climatiseur.

POUR L'UTILISATEUR

### **MANUAL DE INSTRUCCIONES**

Lea este manual de instrucciones hasta el final antes de poner en marcha la unidad de aire acondicionado para garantizar un uso seguro y correcto.

PARA EL USUARIO

English

Français

Español

# Contents

1. Safety Precautions .....	2	7. Troubleshooting.....	6
2. Parts Names.....	2	8. Specifications .....	7
3. Operation.....	4		
4. Timer .....	4		
5. Emergency Operation for IR Wireless Remote controller .....	5		
6. Care and Cleaning .....	5		

## 1. Safety Precautions

- ▶ Before installing the unit, make sure you read all the “Safety Precautions”.
- ▶ The “Safety Precautions” provide very important points regarding safety. Make sure you follow them.
- ▶ Please report to or take consent by the supply authority before connection to the system.

### Symbols used in the text

- ⚠ Warning:  
Describes precautions that should be observed to prevent danger of injury or death to the user.
- ⚠ Caution:  
Describes precautions that should be observed to prevent damage to the unit.

### Symbols used in the illustrations

- ⚡ : Indicates a part which must be grounded.

#### ⚠ Warning:

- For appliances not accessible to the general public.
- The unit must not be installed by the user. Ask the dealer or an authorized company to install the unit. If the unit is installed improperly, water leakage, electric shock or fire may result.
- Do not stand on, or place any items on the unit.
- Do not splash water over the unit and do not touch the unit with wet hands. An electric shock may result.
- Do not spray combustible gas close to the unit. Fire may result.
- Do not place a gas heater or any other open-flame appliance where it will be exposed to the air discharged from the unit. Incomplete combustion may result.
- Do not remove the front panel or the fan guard from the outdoor unit when it is running.

- When you notice exceptionally abnormal noise or vibration, stop operation, turn off the power switch, and contact your dealer.
- Never insert fingers, sticks etc. into the air inlets or outlets.
- If you detect odd smells, stop using the unit, turn off the power switch and consult your dealer. Otherwise, a breakdown, electric shock or fire may result.
- This air conditioner is NOT intended for use by children or infirm persons without supervision.
- Young children must be supervised to ensure that they do not play with the air conditioner.
- If the refrigeration gas blows out or leaks, stop the operation of the air conditioner, thoroughly ventilate the room, and contact your dealer.

#### ⚠ Caution:

- Do not use any sharp object to push the buttons, as this may damage the remote controller.
- Never block or cover the indoor or outdoor unit’s air inlets or outlets.

### Disposing of the unit

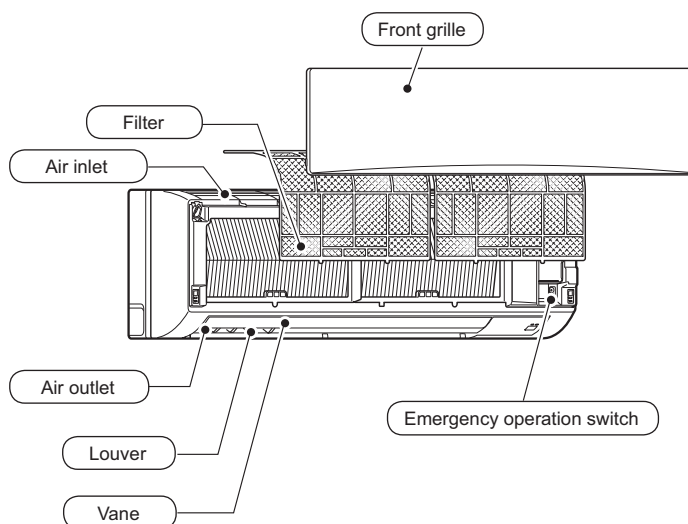
When you need to dispose of the unit, consult your dealer.

## 2. Parts Names

### ■ Indoor Unit

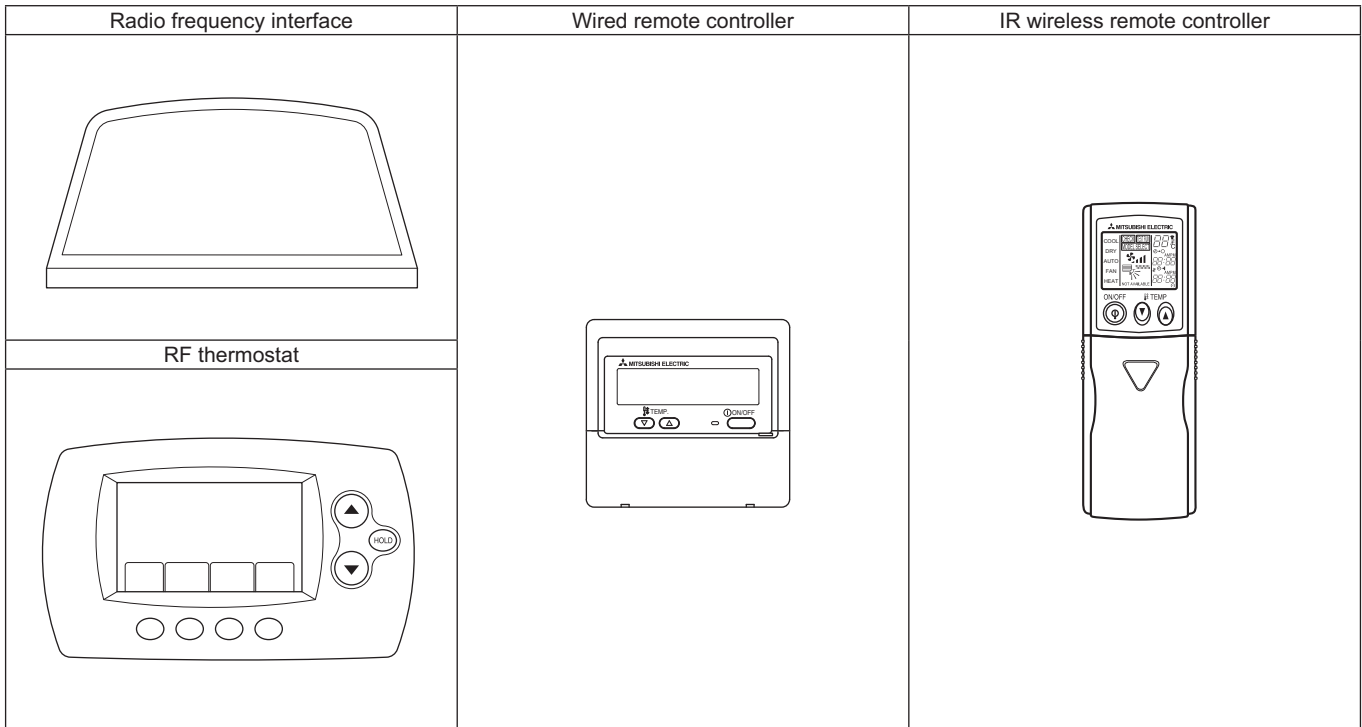
	PKA-A-KA4
Fan speed	3 speeds (with auto)
Vane	Auto with swing
Louver	Manual
Filter	Normal
Filter cleaning indication	100 hr

### ■ PKA-A-KA4



## 2. Parts Names

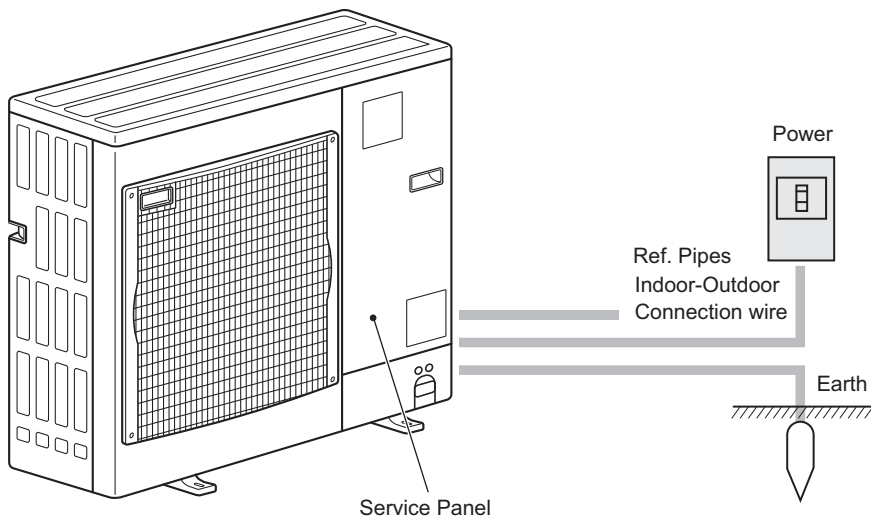
### ■ Remote controller (Optional parts)



### Note: (Only for IR wireless remote controller)

- When using the IR wireless remote controller, point it towards the receiver on the indoor unit.
- If the IR wireless remote controller is operated within approximately two minutes after power is supplied to the indoor unit, the indoor unit may beep twice as the unit is performing the initial automatic check.
- The indoor unit beeps to confirm that the signal transmitted from the IR wireless remote controller has been received. Signals can be received up to approximately 7 meters, 275 19/32 inch in a direct line from the indoor unit in an area 45° to the left and right of the unit. However, illumination such as fluorescent lights and strong light can affect the ability of the indoor unit to receive signals.
- If the operation lamp near the receiver on the indoor unit is flashing, the unit needs to be inspected. Consult your dealer for service.
- Handle the IR wireless remote controller carefully! Do not drop the IR wireless remote controller or subject it to strong shocks. In addition, do not get the IR wireless remote controller wet or leave it in a location with high humidity.
- To avoid misplacing the IR wireless remote controller, install the holder included with the IR wireless remote controller on a wall and be sure to always place the IR wireless remote controller in the holder after use.

### ■ Outdoor unit



## 3. Operation

- About the operation method, refer to the operation manual that comes with each remote controller.

### 3.1. Turning ON/OFF

Note:

Even if you press the ON/OFF button immediately after shutting down the operation is progress, the air conditioner will not start for about three minutes. This is to prevent the internal components from being damaged.

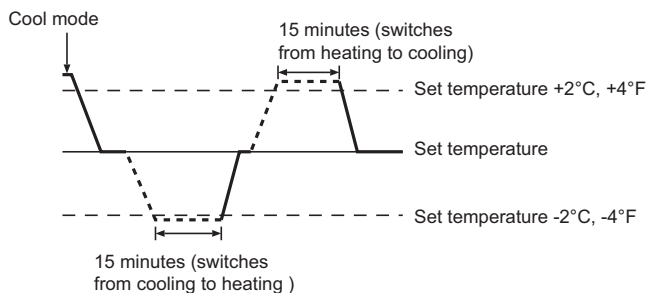
### 3.2. Operation mode select

Cool/Dry/Fan/Heat/Automatic (cool/heat)/Ventilation modes are available.

Note:

- Heat and Automatic mode can not be available for cooling only units.
- Ventilation mode: only indicated on the following condition. Wired remote controller is used and LOSSNAY is connected.
- Automatic mode

- According to a set temperature, cooling operation starts if the room temperature is too hot and heating operation starts if the room temperature is too cold.
- During automatic operation, if the room temperature changes and remains 2 °C or more above the set temperature for 15 minutes, the air conditioner switches to cool mode. In the same way, if the room temperature remains 2 °C or more below the set temperature for 15 minutes, the air conditioner switches to heat mode.



- Because the room temperature is automatically adjusted in order to maintain a fixed effective temperature, cooling operation is performed a few degrees warmer and heating operation is performed a few degrees cooler than the set room temperature once the temperature is reached (automatic energy-saving operation).

### 3.3. Fan speed setting

Note:

- The number of available fan speeds depends on the type of unit connected.
- In the following cases, the actual fan speed generated by the unit will differ from the speed shown the remote controller display.
  1. When the unit is in "STAND BY" or "DEFROST" states.
  2. When the temperature of the heat exchanger is low in the heat mode. (e.g. immediately after heat operation starts)
  3. In HEAT mode, when room temperature is higher than the temperature setting.
  4. When the unit is in DRY mode.

### 3.4. Airflow up/down direction setting

Note:

- During swing operation, the directional indication on the screen does not change in sync with the directional vanes on the unit.
- Available directions depend on the type of unit connected.
- In the following cases, the actual air direction will differ from the direction indicated on the remote controller display.
  1. When the unit is in "STAND BY" or "DEFROST" states.
  2. Immediately after starting heater mode (while the system is waiting for the operation mode change to take effect).
  3. In heat mode, when room temperature is higher than the temperature setting.

#### <[Manual] To Change the Airflow's Left/Right Direction>

- \* The louver button cannot be used.

#### ■ Model PKA-A-KA4

- Stop the unit operation, hold the lever of the louver airflow vanes, and adjust to the desired direction.
  - \* Do not set to the inside direction when the unit is in the cooling or drying mode because there is a risk of condensation and water dripping.



#### ⚠ Caution:

To prevent falls, maintain a stable footing when operating the unit.

### 3.5. Ventilation

#### ► For LOSSNAY combination

- The following 2 patterns of operation is available.
  - Run the ventilator together with the indoor unit.
  - Run the ventilator independently.

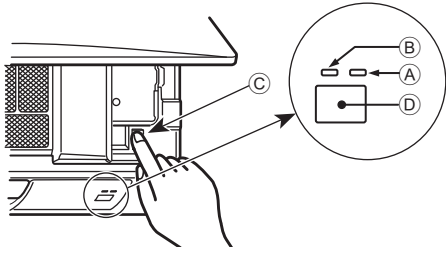
Note: (for IR wireless remote controller and RF thermostat)

- Running the ventilator independently is not available.
- No indication on the remote controller.

## 4. Timer

- Timer functions are different by each remote controller.
- For details on how to operate the remote controller, refer to the appropriate operation manual included with each remote controller.

## 5. Emergency Operation for IR Wireless Remote Controller

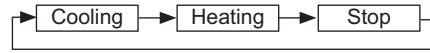


### When the IR wireless remote controller cannot be used

When the batteries of the IR wireless remote controller run out or the IR wireless remote controller malfunctions, the emergency operation can be done using the emergency buttons on the grille.

- Ⓐ DEFROST/STAND BY lamp (Orange)
- Ⓑ Operation lamp (Green)
- Ⓒ Emergency operation switch (cooling/heating)
- Ⓓ Receiver
- Each press of the emergency operation switch will toggle the operation mode.
- Check "COOL/HEAT" with the operation monitor display. (The display will appear orange for 5 seconds after the switch operation.)

### [Combination Cooling and Heating Models]



### [Cooling Only Models]



### Operation Monitor Display

	GREEN	ORANGE	
STOP	○	○	The display will appear orange for 5 seconds following the switch operation as indicated at the left, and then it will return to the regular display.
COOL	●	○	
HEAT	●	●	

○ Turning off ● Lighting

\* Operation details at the time of emergency operation are as shown below.

Note that over the first 30 minutes or so, the temperature adjustment will not function and the unit will be in continuous operation with the fan on high.

Operation Mode	COOL	HEAT
Set Temperature	24°C, 75°F	24°C, 75°F
Fan Speed	High	High
Airflow Direction Up and Down	Setting 1	Setting 4 (5)

## 6. Care and Cleaning

- Following indication shows that the filter needs cleaning.
  - Wired remote controller : "FILTER"
  - RF thermostat: "Clean Filter"
  - ASK authorized people to clean the filter.
- When resetting "FILTER" or "Clean Filter" display. Resetting the indication, refer to the operation manual of each remote controller.

### Note:

- When two or more different types of indoor unit are controlled, the cleaning period differs with the type of filter. When the master unit cleaning period arrives, "FILTER" is displayed. When the filter display goes off, the cumulative time is reset. (only for wired remote controller)
- "FILTER" or "Clean Filter" indicates the cleaning period when the air conditioner was used under general indoor air conditions by criteria time. Since the degree of dirtiness depends on the environmental conditions, clean the filter accordingly.
- The filter cleaning period cumulative time differs with the model.
- This indication is not available for IR wireless remote controller.

### ► Cleaning the filters

- Clean the filters using a vacuum cleaner. If you do not have a vacuum cleaner, tap the filters against a solid object to knock off dirt and dust.
- If the filters are especially dirty, wash them in lukewarm water. Take care to rinse off any detergent thoroughly and allow the filters to dry completely before putting them back into the unit.

### ⚠ Caution:

- Do not dry the filters in direct sunlight or by using a heat source, such as an electric heater: this may warp them.
- Do not wash the filters in hot water (above 50°C), as this may warp them.
- Make sure that the air filters are always installed. Operating the unit without air filters can cause malfunction.

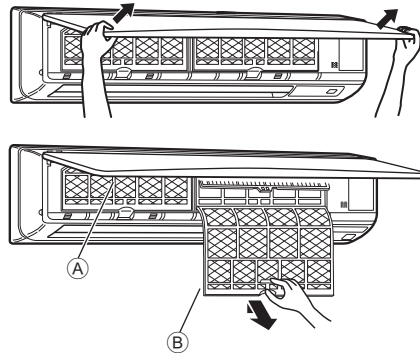
### ⚠ Caution:

- Before you start cleaning, stop operation and turn OFF the power supply.
- Indoor units are equipped with filters to remove the dust of sucked-in air. Clean the filters using the methods shown in the following sketches.

### ► Filter removal





#### ⚠ Caution:

- In removing the filter, precautions must be taken to protect your eyes from dust. Also, if you have to climb up on a stool to do the job, be careful not to fall.
- When the filter is removed, do not touch the metallic parts inside the indoor unit, otherwise injury may result.



- ① Using both hands, pull both the bottom corners of the inlet grille to open the grille, then lift the filter until it clicks at the stop position.
  - ② Hold the knobs on the filter and pull the filter up, then pull it out downward. (Located in two places, on the left and right.)
- Ⓐ Front grille  
Ⓑ Filter

## 7. Troubleshooting

Having trouble?	Here is the solution. (Unit is operating normally.)
Air conditioner does not heat or cool well.	<ul style="list-style-type: none"> <li>■ Clean the filter. (Airflow is reduced when the filter is dirty or clogged.)</li> <li>■ Check the temperature adjustment and adjust the set temperature.</li> <li>■ Make sure that there is plenty of space around the outdoor unit. Is the indoor unit air inlet or outlet blocked?</li> <li>■ Has a door or window been left open?</li> </ul>
When heating operation starts, warm air does not blow from the indoor unit soon.	<ul style="list-style-type: none"> <li>■ Warm air does not blow until the indoor unit has sufficiently warmed up.</li> </ul>
During heat mode, the air conditioner stops before the set room temperature is reached.	<ul style="list-style-type: none"> <li>■ When the outdoor temperature is low and the humidity is high, frost may form on the outdoor unit. If this occurs, the outdoor unit performs a defrosting operation. Normal operation should begin after approximately 10 minutes.</li> </ul>
Airflow up/down direction changes during operation or airflow up/down direction cannot be set.	<ul style="list-style-type: none"> <li>■ During cool mode, the vanes automatically move to the horizontal (down) position after 1 hour when the down (horizontal) airflow up/down direction is selected. This is to prevent water from forming and dripping from the vanes.</li> <li>■ During heat mode, the vanes automatically move to the horizontal airflow up/down direction when the airflow temperature is low or during defrosting mode.</li> </ul>
When the airflow up/down direction is changed, the vanes always move up and down past the set position before finally stopping at the position.	<ul style="list-style-type: none"> <li>■ When the airflow up/down direction is changed, the vanes move to the set position after detecting the base position.</li> </ul>
A flowing water sound or occasional hissing sound is heard.	<ul style="list-style-type: none"> <li>■ These sounds can be heard when refrigerant is flowing in the air conditioner or when the refrigerant flow is changing.</li> </ul>
A cracking or creaking sound is heard.	<ul style="list-style-type: none"> <li>■ These sounds can be heard when parts rub against each other due to expansion and contraction from temperature changes.</li> </ul>
The room has an unpleasant odor.	<ul style="list-style-type: none"> <li>■ The indoor unit draws in air that contains gases produced from the walls, carpeting, and furniture as well as odors trapped in clothing, and then blows this air back into the room.</li> </ul>
A white mist or vapor is emitted from the indoor unit.	<ul style="list-style-type: none"> <li>■ If the indoor temperature and the humidity are high, this condition may occur when operation starts.</li> <li>■ During defrosting mode, cool airflow may blow down and appear like a mist.</li> </ul>
Water or vapor is emitted from the outdoor unit.	<ul style="list-style-type: none"> <li>■ During cool mode, water may form and drip from the cool pipes and joints.</li> <li>■ During heat mode, water may form and drip from the heat exchanger.</li> <li>■ During defrosting mode, water on the heat exchanger evaporates and water vapor may be emitted.</li> </ul>
The operation indicator does not appear in the wired remote controller display. (*1)	<ul style="list-style-type: none"> <li>■ Turn on the power switch. "●" will appear in the wired remote controller display.</li> </ul>
"  appears in the wired remote controller display. (*1)	<ul style="list-style-type: none"> <li>■ During central control, "" appears in the wired remote controller display and air conditioner operation cannot be started or stopped using the wired remote controller.</li> </ul>
When restarting the air conditioner soon after stopping it, it does not operate even though the ON/OFF button is pressed.	<ul style="list-style-type: none"> <li>■ Wait approximately three minutes. (Operation has stopped to protect the air conditioner.)</li> </ul>
Air conditioner operates without the ON/OFF button being pressed. (*1)	<ul style="list-style-type: none"> <li>■ Is the on timer set? Press the ON/OFF button to stop operation.</li> <li>■ Is the air conditioner connected to a central wired remote controller? Consult the concerned people who control the air conditioner.</li> <li>■ Does " appear in the wired remote controller display? Consult the concerned people who control the air conditioner.</li> <li>■ Has the auto recovery feature from power failures been set? Press the ON/OFF button to stop operation.</li> </ul>
Air conditioner stops without the ON/OFF button being pressed. (*1)	<ul style="list-style-type: none"> <li>■ Is the off timer set? Press the ON/OFF button to restart operation.</li> <li>■ Is the air conditioner connected to a central wired remote controller? Consult the concerned people who control the air conditioner.</li> <li>■ Does " appear in the wired remote controller display? Consult the concerned people who control the air conditioner.</li> </ul>
Wired remote controller timer operation cannot be set. (*1)	<ul style="list-style-type: none"> <li>■ Are timer settings invalid? If the timer can be set, (WEEKLY), (SIMPLE), or (AUTO OFF) appears in the wired remote controller display.</li> </ul>
"PLEASE WAIT" appears in the wired remote controller display. (*1)	<ul style="list-style-type: none"> <li>■ The initial settings are being performed. Wait approximately 3 minutes.</li> </ul>
An error code appears in the remote controller display.	<ul style="list-style-type: none"> <li>■ The protection devices have operated to protect the air conditioner.</li> <li>■ Do not attempt to repair this equipment by yourself. Turn off the power switch immediately and consult your dealer. Be sure to provide the dealer with the model name and information that appeared in the remote controller display.</li> </ul>
Draining water or motor rotation sound is heard.	<ul style="list-style-type: none"> <li>■ When cooling operation stops, the drain pump operates and then stops. Wait approximately 3 minutes.</li> </ul>
When dry mode starts, the set temperature changes.	<ul style="list-style-type: none"> <li>■ When Dry mode starts, the set temperature automatically changes to the optimum initial set temperature.</li> </ul>

## 7. Troubleshooting

Having trouble?	Here is the solution. (Unit is operating normally.)												
Noise is louder than specifications.	<ul style="list-style-type: none"> <li>The indoor operation sound level is affected by the acoustics of the particular room as shown in the following table and will be higher than the noise specification, which was measured in an echo-free room.</li> </ul> <table border="1"> <thead> <tr> <th></th> <th>High sound-absorbing rooms</th> <th>Normal rooms</th> <th>Low sound-absorbing rooms</th> </tr> </thead> <tbody> <tr> <td>Location examples</td> <td>Broadcasting studio, music room, etc.</td> <td>Reception room, hotel lobby, etc.</td> <td>Office, hotel room</td> </tr> <tr> <td>Noise levels</td> <td>3 to 7 dB</td> <td>6 to 10 dB</td> <td>9 to 13 dB</td> </tr> </tbody> </table>		High sound-absorbing rooms	Normal rooms	Low sound-absorbing rooms	Location examples	Broadcasting studio, music room, etc.	Reception room, hotel lobby, etc.	Office, hotel room	Noise levels	3 to 7 dB	6 to 10 dB	9 to 13 dB
	High sound-absorbing rooms	Normal rooms	Low sound-absorbing rooms										
Location examples	Broadcasting studio, music room, etc.	Reception room, hotel lobby, etc.	Office, hotel room										
Noise levels	3 to 7 dB	6 to 10 dB	9 to 13 dB										
Nothing appears in the IR wireless remote controller display, the display is faint, or signals are not received by the indoor unit unless the IR wireless remote controller is close. (*2)	<ul style="list-style-type: none"> <li>The batteries are low. Replace the batteries and press the Reset button.</li> <li>If nothing appears even after the batteries are replaced, make sure that the batteries are installed in the correct directions (+, -).</li> </ul>												
The operation lamp near the receiver for the IR wireless remote controller on the indoor unit is flashing. (*2)	<ul style="list-style-type: none"> <li>The self diagnosis function has operated to protect the air conditioner.</li> <li>Do not attempt to repair this equipment by yourself. Turn off the power switch immediately and consult your dealer. Be sure to provide the dealer with the model name.</li> </ul>												

\*1: Only for wired remote controller.

\*2: Only for IR wireless remote controller.

## 8. Specifications

Model	PKA-A24KA4	PKA-A30KA4	PKA-A36KA4
Power source (voltage <V>/Frequency <Hz>)	Single 208/230, 60		
Rated Input (Indoor only) <kW>	0.05	0.05	0.08
Rated Current (Indoor only) <A>	0.36	0.36	0.57
Heater <kW>	-	-	-
Dimension (Height) <inch>	14-3/8		
Dimension (Width) <inch>	46-1/16		
Dimension (Depth) <inch>	11-5/8		
Fan airflow volume (Low-Middle-High) <CFM>	635-705-775		705-810-920
Noise level (Low-Middle-High) <dB>	39-42-45		41-45-49
Net weight <lbs>	46		

# Index

1. Consignes de sécurité.....	8	6. Entretien et nettoyage.....	11
2. Nomenclature.....	8	7. Guide de dépannage.....	12
3. Fonctionnement.....	10	8. Spécifications techniques.....	13
4. Minuterie.....	10		
5. Fonctionnement d'urgence de la télécommande sans fil infrarouge.....	11		

## 1. Consignes de sécurité

- ▶ Avant d'installer le climatiseur, lire attentivement toutes les "Consignes de sécurité".
- ▶ Les "Consignes de sécurité" reprennent des points très importants concernant la sécurité. Veuillez bien à les suivre.
- ▶ Veuillez consulter ou obtenir la permission votre compagnie d'électricité avant de connecter votre système.

### Symboles utilisés dans le texte

- ⚠ **Avertissement:**  
Précautions à suivre pour éviter tout danger de blessure ou de décès de l'utilisateur.
- ⚠ **Précaution:**  
Décrit les précautions qui doivent être prises pour éviter d'endommager l'appareil.

### Symboles utilisés dans les illustrations

⊥ : Indique un élément qui doit être mis à la terre.

#### ⚠ Avertissement:

- Pour les appareils non disponibles au grand public.
- Cet appareil ne doit pas être installé par l'utilisateur. Demander au revendeur ou à une société agréée de l'installer. Si l'appareil n'est pas correctement installé il peut y avoir un risque de fuite d'eau, d'électrocution ou d'incendie.
- Ne pas marcher sur l'appareil ni y déposer des objets.
- Ne jamais éclabousser l'appareil ni le toucher avec des mains humides. Il pourrait en résulter un risque d'électrocution.
- Ne pas vaporiser de gaz inflammable à proximité de l'appareil sous risque d'incendie.
- Ne pas placer de chauffage au gaz ou tout autre appareil fonctionnant avec une flamme vive là où il serait exposé à l'échappement d'air du climatiseur. Cela risquerait de provoquer une mauvaise combustion.
- Ne pas retirer la face avant ou la protection du ventilateur de l'appareil extérieur pendant son fonctionnement.

- Si vous remarquez des vibrations ou des bruits particulièrement anormaux, arrêter l'appareil, éteindre l'interrupteur et prendre contact avec le revendeur.
- Ne jamais mettre des doigts, des bâtons, etc. dans les admissions et sorties d'air.
- Si vous sentez des odeurs étranges, arrêter l'appareil, le mettre hors tension et contacter le revendeur. Si vous ne procédez pas de cette façon, il pourrait y avoir risque de panne, d'électrocution ou d'incendie.
- Ne JAMAIS laisser des enfants ou des personnes handicapées utiliser le climatiseur sans surveillance.
- Toujours surveiller que les jeunes enfants ne jouent pas avec le climatiseur.
- Si le gaz de réfrigérant fuit, arrêter le fonctionnement du climatiseur, aérer convenablement la pièce et prendre contact avec le revendeur.

#### ⚠ Précaution:

- Ne pas utiliser d'objet pointu pour enfoncer les boutons car cela risquerait d'endommager la commande à distance.
- Ne jamais obstruer les admissions et sorties d'air des appareils extérieurs et intérieurs.

### Rangement de l'appareil

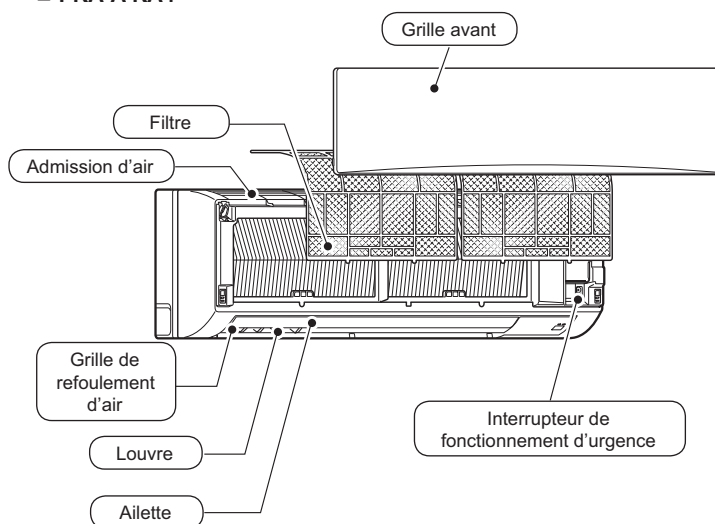
Lorsque vous devez ranger l'appareil, veuillez consulter votre revendeur.

## 2. Nomenclature

### ■ Unité interne

	PKA-A-KA4
Vitesse du ventilateur	3 vitesses (auto compris)
Ailette	Auto avec variation
Louvre	Manuel
Filtre	Normal
Témoin de nettoyage du filtre	100 heures

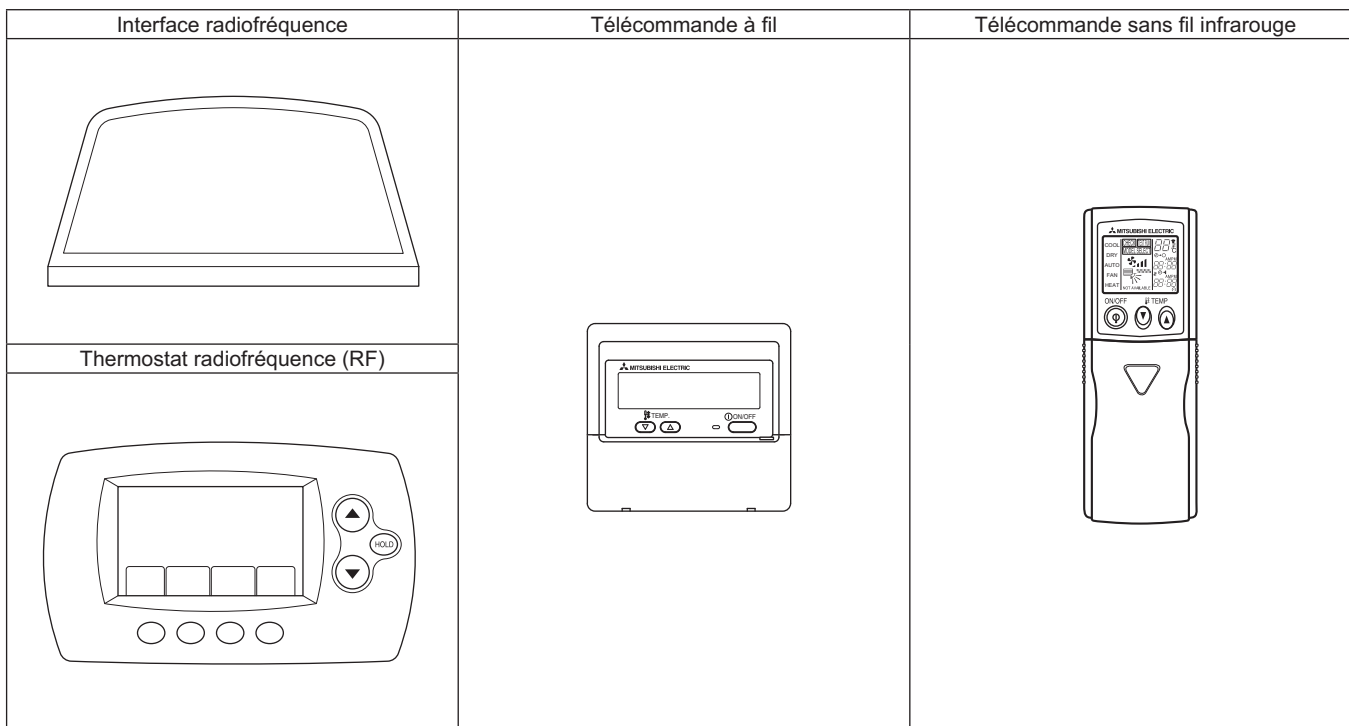
### ■ PKA-A-KA4





## 2. Nomenclature

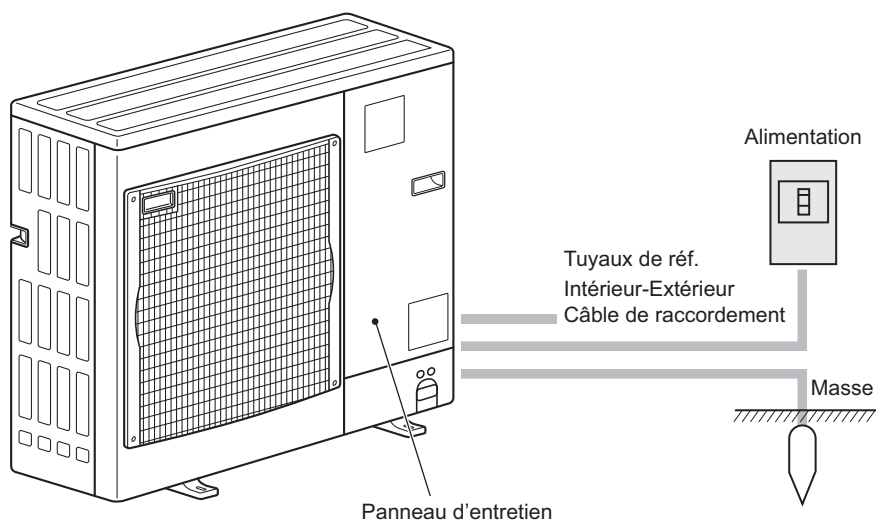
### ■ Télécommande à distance (Pièces en option)



### Remarque : (Uniquement pour les télécommandes sans fil infrarouge)

- Pour utiliser la télécommande sans fil infrarouge, pointez-la vers le récepteur de l'appareil intérieur.
- Si la télécommande sans fil infrarouge est utilisée dans les 2 minutes qui suivent l'alimentation de l'appareil intérieur, l'appareil peut émettre 2 bips successifs indiquant que le contrôle automatique est en cours.
- L'appareil intérieur émet des bips pour confirmer que le signal transmis par la télécommande sans fil infrarouge a été reçu. Les signaux peuvent être reçus jusqu'à 7 mètres, 275 19/32 inch environ en ligne droite à partir de l'appareil intérieur et dans une zone de 45° vers la gauche ou la droite de l'appareil. Cependant, une lumière vive ou fluorescente peut gêner la réception de signaux de l'appareil intérieur.
- Si le témoin de fonctionnement situé près du récepteur de l'appareil intérieur clignote, ceci signifie que l'appareil doit être inspecté. Consultez votre revendeur pour connaître les modalités d'entretien.
- Manipulez la télécommande sans fil infrarouge avec précaution ! Ne la faites pas tomber et ne lui infligez pas de chocs violents. De plus, évitez de mouiller la télécommande sans fil infrarouge et ne la laissez pas dans un endroit humide.
- Pour éviter de chercher la télécommande sans fil infrarouge, placez le support fourni avec la télécommande sans fil infrarouge sur un mur et veillez à replacer la télécommande sans fil infrarouge dans le support après chaque utilisation.

### ■ Unité externe



## 3. Fonctionnement

- Concernant le mode de fonctionnement, reportez-vous au manuel d'utilisation fourni avec chaque télécommande à distance.

### 3.1. MARCHE/ARRET

Remarque :

Même si vous appuyez sur le bouton ON/OFF immédiatement après avoir arrêté la fonction en cours, le climatiseur ne se remettra en route que trois minutes plus tard. Ceci est une précaution pour éviter l'endommagement de tout composant interne.

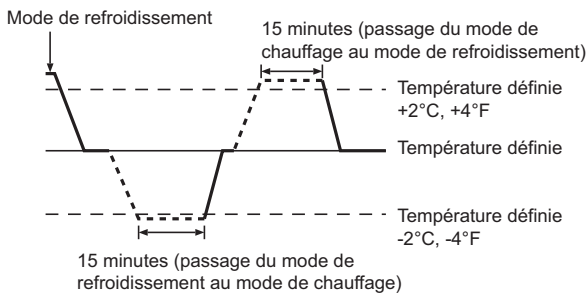
### 3.2. Sélection du mode de fonctionnement

Les modes de refroidissement/d'assèchement/de soufflerie/de chauffage/automatique (refroidissement/chauffage)/de ventilation sont disponibles.

Remarque :

- Les modes de chauffage et automatique ne sont pas disponibles pour les appareils de refroidissement uniquement.
- Le mode de ventilation : uniquement indiqué dans les conditions suivantes. La télécommande à fil est utilisée et un appareil LOSSNAY est branché.
- Mode automatique

- En fonction de la température définie préalablement, l'opération de refroidissement débutera si la température de la pièce est trop élevée ; à l'inverse, l'opération de chauffage débutera si la température de la pièce est trop basse.
- En mode de fonctionnement automatique, le climatiseur passera en mode de refroidissement si la température de la pièce varie et affiche 2 °C ou plus au-dessus de la température définie pendant 15 minutes. De la même façon, le climatiseur passera en mode de chauffage si la température de la pièce affiche 2 °C ou plus au-dessous de la température définie pendant 15 minutes.



- La température de la pièce étant ajustée automatiquement de façon à rester stable, l'opération de refroidissement se met en marche à quelques degrés au-dessus, et l'opération de chauffage à quelques degrés au-dessous, de la température définie lorsque cette dernière est atteinte (fonction automatique d'économie d'énergie).

## 4. Minuterie

- Les fonctions de minuterie sont différentes pour chaque télécommande à distance.
- Pour plus de détails sur le mode de fonctionnement de la télécommande à distance, reportez-vous au manuel d'utilisation approprié fourni avec chaque télécommande à distance.

### 3.3. Réglage de la vitesse du ventilateur

Remarque :

- Le nombre de ventilateurs disponible dépend du type d'unité connectée.
- Dans les cas suivants, la vitesse de ventilation actuelle générée par l'unité différera de la vitesse indiquée au niveau de la commande à distance.
  1. Lorsque l'appareil indique "PRE CHAUFFAGE" ou "DÉGIVRAGE".
  2. Lorsque la température de l'échangeur thermique est basse en mode de chauffage. (par ex. immédiatement après le lancement de l'opération de chauffage)
  3. En mode CHAUFFAGE, quand la température ambiante dans la pièce est supérieure à la température réglée.
  4. Quand l'unité est en mode SEC.

### 3.4. Réglage de la direction du flux d'air vertical

Remarque :

- Pendant l'oscillation, l'indication directionnelle à l'écran ne change pas en synchronisation avec les ailettes de l'unité.
- Les directions disponibles dépendent du type d'unités connectées.
- Dans les cas suivants, la direction actuelle de l'air différera de la direction indiquée au niveau de la commande à distance.
  1. Lorsque l'appareil indique "PRE CHAUFFAGE" ou "DÉGIVRAGE".
  2. Immédiatement après le démarrage du mode CHAUFFAGE (alors que le système attend que le changement de mode se fasse).
  3. En mode chauffage, quand la température ambiante dans la pièce est supérieure à la température réglée.

<[Manuel] Pour changer la direction droite/gauche du flux d'air>

\* Le bouton de louvre n'est pas utilisable.

■ Modèle PKA-A-KA4

- Arrêtez l'appareil, maintenez le levier des ailettes du flux d'air horizontal et réglez la direction souhaitée.

\* Ne réglez pas vers l'intérieur lorsque l'appareil est en mode de refroidissement ou de déshumidification du fait du risque de condensation et de suintement.



⚠ Précaution :

Pour éviter les chutes, ayez une position stable lors de l'utilisation de l'appareil.

### 3.5. Ventilation

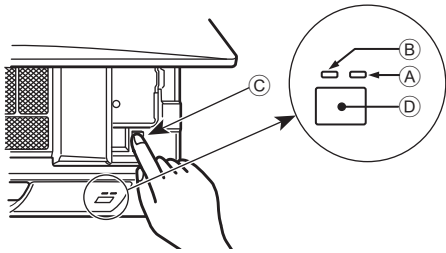
► Pour les appareils combinés LOSSNAY

- Les 2 modèles de fonctionnement suivants sont disponibles.
  - Lancer le ventilateur conjointement à l'unité intérieure.
  - Faire fonctionner le ventilateur indépendamment.

Remarque : (pour la télécommande sans fil infrarouge et le thermostat RF)

- Impossible de faire fonctionner le ventilateur indépendamment.
- Aucune indication sur la télécommande à distance.

## 5. Fonctionnement d'urgence de la télécommande sans fil infrarouge



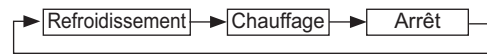
### Lorsqu'il n'est pas possible d'utiliser la télécommande sans fil infrarouge

Lorsque les piles de la télécommande sans fil infrarouge sont usées ou lorsque la télécommande sans fil infrarouge ne fonctionne pas correctement, vous pouvez activer le mode de fonctionnement d'urgence à l'aide des touches d'urgence situées sur la grille.

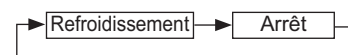
- Ⓐ Témoin DEFROST/STAND BY (dégivrage/veilleuse) (Orange)
- Ⓑ Témoin de fonctionnement (Vert)
- Ⓒ Interrupteur de fonctionnement d'urgence (chauffage/refroidissement)
- Ⓓ Capteur

- Chaque fois que vous appuyez sur l'interrupteur de fonctionnement d'urgence, le mode de fonctionnement change.
- Sélectionnez "FROID/CHAUD" sur le moniteur. (L'affichage est orange pendant 5 secondes après le basculement.)

### [Modèles de chauffage et de refroidissement]



### [Modèles de refroidissement seulement]



### Moniteur

	VERT	ORANGE	
ARRÊT	○	○	L'affichage est orange pendant 5 secondes après le basculement
FROID	●	○	comme indiqué à gauche, puis il redevient normal.
CHAUD	●	●	

○ Éteint ● Allumé

\* Les détails concernant le fonctionnement d'urgence sont tels qu'indiqués ci-dessous.

Notez que pendant les 30 premières minutes environ, le réglage de la température ne fonctionne pas et l'appareil tourne en mode continu avec le ventilateur, etc.

Mode de fonctionnement	FROID	CHAUD
Température définie	24°C, 75°F	24°C, 75°F
Vitesse de ventilateur	Élevée	Élevée
Témoin de direction du flux d'air vertical	Réglage 1	Réglage 4 (5)

## 6. Entretien et nettoyage

- Les indications suivantes indiquent qu'il faut nettoyer le filtre.
  - Télécommande à fil : "FILTER" (filtre)
  - Thermostat RF : "Clean Filter" (nettoyer le filtre)
  - DEMANDEZ à une personne autorisée de nettoyer le filtre.
- Pour réinitialiser l'affichage "FILTER" (filtre) ou "Clean Filter" (nettoyer le filtre) : pour réinitialiser l'indication, reportez-vous au manuel d'utilisation de chaque télécommande à distance.

### Remarque :

- Si deux types d'appareils intérieurs (ou plus) sont contrôlés, la période entre les nettoyages dépend du type de filtre. Si vous devez nettoyer le filtre de l'appareil principal, "FILTER" (filtre) s'affiche. Si l'affichage s'éteint, la période cumulée est réinitialisée. (uniquement pour la télécommande à fil)
- "FILTER" (filtre) ou "Clean Filter" (nettoyer le filtre) indique la période entre les nettoyages en heure si le climatiseur est utilisé dans des conditions d'air intérieur normales. Toutefois, le degré d'encrassement du filtre dépend des conditions environnementales ; nettoyez-le donc en conséquence.
- La période cumulée avant le nettoyage du filtre varie selon les modèles.
- Cette indication est indisponible pour la télécommande sans fil infrarouge.

### ► Nettoyage des filtres

- Nettoyer les filtres avec un aspirateur. Si vous ne possédez pas d'aspirateur, battre les filtres contre un objet dur afin de les secouer et de retirer toutes les saletés et la poussière.
- Si les filtres sont particulièrement sales, les laver à l'eau tiède. Veiller à rincer soigneusement toute trace de détergent et laisser sécher les filtres complètement avant de les remonter dans le climatiseur.

### ⚠ Précaution:

- Ne jamais laisser sécher les filtres au soleil ni les sécher en utilisant une source de chaleur comme un chauffage électrique : vous risqueriez de les déformer.
- Ne jamais laver les filtres à l'eau chaude (au-dessus de 50°C) car vous risqueriez de les faire gondoler.
- Veiller à ce que les filtres à air soient toujours en place. La mise en marche de l'appareil alors que les filtres sont retirés pourrait en effet être à l'origine d'un mauvais fonctionnement.

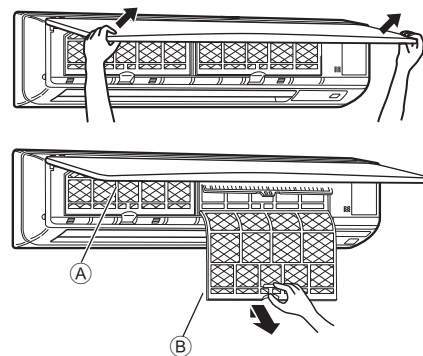
### ⚠ Précaution:

- Avant de commencer le nettoyage, arrêter l'appareil et couper l'alimentation.
- Les appareils intérieurs sont équipés de filtres servant à extraire les poussières de l'air aspiré. Nettoyer les filtres selon les méthodes illustrées ci-après.

### ► Retrait du filtre

#### ⚠ Précaution:

- Lors du retrait du filtre, se protéger les yeux de la poussière. Si vous devez monter sur le rebord d'une fenêtre pour effectuer l'opération, attention de ne pas tomber.
- Une fois le filtre retiré, ne pas toucher les pièces métalliques internes de l'appareil intérieur sous peine de blessure.



① Tirez sur les deux coins inférieurs de la grille d'aspiration des deux mains pour ouvrir la grille, puis levez le filtre jusqu'à ce qu'il se bloque en position d'arrêt.

② Maintenez enfoncés les boutons se trouvant sur le filtre et tirez le filtre vers le haut avant de le retirer complètement. (Situé à deux endroits : droite et gauche.)

Ⓐ Grille avant

Ⓑ Filtre

## 7. Guide de dépannage

En cas de problème :	Voici la solution. (L'appareil fonctionne normalement.)
Le climatiseur ne chauffe ni ne refroidit correctement.	<ul style="list-style-type: none"> <li>■ Nettoyez le filtre. (Le débit d'air est réduit lorsque le filtre est sale ou colmaté.)</li> <li>■ Contrôlez la température et ajustez la température définie en conséquence.</li> <li>■ Assurez-vous qu'il y a suffisamment d'espace autour de l'appareil extérieur. L'admission ou la sortie d'air de l'appareil intérieur est-elle bloquée ?</li> <li>■ Une porte ou une fenêtre a-t-elle été laissée ouverte ?</li> </ul>
Lorsque l'opération de chauffage débute, de l'air chaud n'est pas expulsé immédiatement de l'appareil intérieur.	<ul style="list-style-type: none"> <li>■ De l'air chaud est expulsé uniquement lorsque l'appareil intérieur est suffisamment chaud.</li> </ul>
En mode de chauffage, le climatiseur s'arrête avant que la température définie pour la pièce soit atteinte.	<ul style="list-style-type: none"> <li>■ Lorsque la température extérieure est basse et l'humidité de l'air importante, du givre peut se former sur l'appareil extérieur. Dans ce cas, l'appareil extérieur procède à une opération de dégivrage. Un fonctionnement normal de l'appareil devrait débiter au bout de 10 minutes environ.</li> </ul>
La direction du flux d'air vertical varie pendant l'opération ou la direction ne peut être définie.	<ul style="list-style-type: none"> <li>■ En mode de refroidissement, les ailettes se placent automatiquement en position horizontale (basse) au bout d'une (1) heure lorsqu'une direction du flux d'air vertical basse (horizontale) est sélectionnée. Ceci évite la formation d'eau sur les ailettes et prévient tout suintement.</li> <li>■ En mode de chauffage, les ailettes se placent automatiquement en position horizontale lorsque la température du flux d'air vertical est basse ou pendant le mode de dégivrage.</li> </ul>
Lorsque la direction du flux d'air vertical est modifiée, les ailettes se déplacent toujours vers le haut et vers le bas au-delà de la position déterminée avant de s'arrêter sur la position souhaitée.	<ul style="list-style-type: none"> <li>■ Lorsque la direction du flux d'air vertical est modifiée, les ailettes se placent sur la position déterminée après être passées par la position de base.</li> </ul>
Un bruit d'eau qui ruisselle ou plus rarement un souffle peut être perçu.	<ul style="list-style-type: none"> <li>■ Ces bruits peuvent être perçus lorsque le réfrigérant circule dans le climatiseur ou lorsque le flux du réfrigérant a été modifié.</li> </ul>
Un craquement ou un grincement peut être perçu.	<ul style="list-style-type: none"> <li>■ Ces bruits peuvent être perçus lorsque les pièces du climatiseur frottent les unes contre les autres en raison de l'expansion et de la contraction qui résultent des variations de température.</li> </ul>
La pièce a une odeur désagréable.	<ul style="list-style-type: none"> <li>■ L'appareil intérieur aspire de l'air qui contient des gaz produits par les murs, les moquettes et les meubles ainsi que des odeurs véhiculées par les vêtements, puis il les expulse à nouveau dans la pièce.</li> </ul>
Une buée ou vapeur blanche sort de l'appareil intérieur.	<ul style="list-style-type: none"> <li>■ Si la température intérieure et l'humidité de l'air sont élevées, cette situation peut se produire en début d'opération.</li> <li>■ En mode de dégivrage, de l'air froid peut être expulsé et avoir l'apparence de la buée.</li> </ul>
De l'eau ou de la vapeur sort de l'appareil extérieur.	<ul style="list-style-type: none"> <li>■ En mode de refroidissement, de l'eau peut se former et suinter des tuyaux et des raccords froids.</li> <li>■ En mode de chauffage, de l'eau peut se former et suinter de l'échangeur thermique.</li> <li>■ En mode de dégivrage, l'eau présent sur l'échangeur thermique s'évapore provoquant ainsi une émission de vapeur d'eau.</li> </ul>
Le témoin de fonctionnement n'apparaît pas sur l'écran de la télécommande à fil. (*1)	<ul style="list-style-type: none"> <li>■ Mettez l'appareil sous tension. Le signe "☉" apparaîtra sur l'écran de la télécommande à fil.</li> </ul>
Le signe "☉" apparaît sur l'écran de la télécommande à fil. (*1)	<ul style="list-style-type: none"> <li>■ Lors du contrôle centralisé, le signe "☉" apparaît sur l'écran de la télécommande à fil et le fonctionnement du climatiseur ne peut être lancé ou arrêté à l'aide de la télécommande à fil.</li> </ul>
Lorsque le climatiseur est redémarré immédiatement après avoir été éteint, son fonctionnement est bloqué même si la touche "ON/OFF" (Marche/Arrêt) est sollicitée.	<ul style="list-style-type: none"> <li>■ Patientez trois minutes environ. (Le fonctionnement s'est arrêté pour protéger le climatiseur.)</li> </ul>
Le climatiseur fonctionne sans que la touche "ON/OFF" (Marche/Arrêt) soit sollicitée. (*1)	<ul style="list-style-type: none"> <li>■ La fonction de marche de la minuterie a-t-elle été réglée ? Appuyez sur la touche "ON/OFF" (Marche/Arrêt) pour l'arrêter.</li> <li>■ Le climatiseur est-il relié à une télécommande à fil centralisée ? Veuillez consulter les personnes responsables du contrôle du climatiseur.</li> <li>■ Le signe "☉" apparaît-il sur l'écran de la télécommande à fil ? Veuillez consulter les personnes responsables du contrôle du climatiseur.</li> <li>■ La fonction de recouvrement auto en cas de coupure d'électricité a-t-elle été réglée ? Appuyez sur la touche "ON/OFF" (Marche/Arrêt) pour l'arrêter.</li> </ul>
Le climatiseur s'arrête sans que la touche "ON/OFF" (Marche/Arrêt) soit sollicitée. (*1)	<ul style="list-style-type: none"> <li>■ La fonction d'arrêt de la minuterie a-t-elle été réglée ? Appuyez sur la touche "ON/OFF" (Marche/Arrêt) pour relancer l'opération.</li> <li>■ Le climatiseur est-il relié à une télécommande à fil centralisée ? Veuillez consulter les personnes responsables du contrôle du climatiseur.</li> <li>■ Le signe "☉" apparaît-il sur l'écran de la télécommande à fil ? Veuillez consulter les personnes responsables du contrôle du climatiseur.</li> </ul>
Le fonctionnement de la minuterie de la télécommande à fil ne peut pas être réglé. (*1)	<ul style="list-style-type: none"> <li>■ Les paramètres de la minuterie sont-ils invalides ? Si la minuterie peut être réglée, les signes <b>WEEKLY</b>, <b>SIMPLE</b>, ou <b>AUTO OFF</b> doivent apparaître sur l'écran de la télécommande à fil.</li> </ul>
Le message "PLEASE WAIT" (VEUILLEZ PATIENTER) apparaît sur l'écran de la télécommande à fil. (*1)	<ul style="list-style-type: none"> <li>■ Les paramètres initiaux sont en cours d'exécution. Patientez trois minutes environ.</li> </ul>
Un code d'erreur apparaît sur l'écran de la télécommande.	<ul style="list-style-type: none"> <li>■ Les dispositifs de protection ont fonctionné pour protéger le climatiseur.</li> <li>■ N'essayez pas de réparer cet appareil vous-même. Mettez l'appareil hors tension immédiatement et consultez votre revendeur. Vous devrez fournir au revendeur le nom du modèle et les informations qui apparaissent sur l'écran de la télécommande.</li> </ul>
Un bruit de goutte à goutte ou de moteur qui tourne peut être perçu.	<ul style="list-style-type: none"> <li>■ A l'arrêt de l'opération de refroidissement, la pompe de vidange se met en marche puis s'arrête. Patientez 3 minutes environ.</li> </ul>

## 7. Guide de dépannage

En cas de problème :	Voici la solution. (L'appareil fonctionne normalement.)												
Au démarrage du mode de déshumidification, la température programmée est modifiée.	<ul style="list-style-type: none"> <li>■ Au démarrage du mode de déshumidification, la température programmée est automatiquement modifiée pour devenir la température programmée initiale optimale.</li> </ul>												
Le bruit perçu est supérieur aux caractéristiques sonores.	<ul style="list-style-type: none"> <li>■ Le niveau sonore du fonctionnement intérieur dépend de l'acoustique de la pièce dans laquelle l'appareil est installé (voir tableau suivant), et sera supérieur aux caractéristiques sonores (mesurées dans une pièce sans écho).</li> </ul> <table border="1"> <thead> <tr> <th></th> <th>Pièces présentant une absorption phonique élevée</th> <th>Pièces présentant une absorption phonique normale</th> <th>Pièces présentant une absorption phonique faible</th> </tr> </thead> <tbody> <tr> <td>Exemples de pièce</td> <td>Studio de radiodiffusion, salle de musique, etc.</td> <td>Salle de réception, entrée d'hôtel, etc.</td> <td>Bureau, chambre d'hôtel</td> </tr> <tr> <td>Niveaux sonores</td> <td>3 à 7 dB</td> <td>6 à 10 dB</td> <td>9 à 13 dB</td> </tr> </tbody> </table>		Pièces présentant une absorption phonique élevée	Pièces présentant une absorption phonique normale	Pièces présentant une absorption phonique faible	Exemples de pièce	Studio de radiodiffusion, salle de musique, etc.	Salle de réception, entrée d'hôtel, etc.	Bureau, chambre d'hôtel	Niveaux sonores	3 à 7 dB	6 à 10 dB	9 à 13 dB
	Pièces présentant une absorption phonique élevée	Pièces présentant une absorption phonique normale	Pièces présentant une absorption phonique faible										
Exemples de pièce	Studio de radiodiffusion, salle de musique, etc.	Salle de réception, entrée d'hôtel, etc.	Bureau, chambre d'hôtel										
Niveaux sonores	3 à 7 dB	6 à 10 dB	9 à 13 dB										
Rien n'apparaît sur l'écran de la télécommande sans fil infrarouge, l'écran est flou, ou l'appareil intérieur ne reçoit aucun signal sauf si la télécommande sans fil infrarouge est éteinte. (*2)	<ul style="list-style-type: none"> <li>■ Les piles sont faibles. Remplacez les piles et appuyez sur la touche "Reset" (Réinitialiser).</li> <li>■ Si rien n'apparaît suite au remplacement des piles, assurez-vous que les piles sont insérées conformément à la polarité indiquée (+, -).</li> </ul>												
Le témoin de fonctionnement situé près du récepteur de la télécommande sans fil infrarouge sur l'appareil intérieur clignote. (*2)	<ul style="list-style-type: none"> <li>■ La fonction d'auto-diagnostic a fonctionné pour protéger le climatiseur.</li> <li>■ N'essayez pas de réparer cet appareil vous-même. Mettez l'appareil hors tension immédiatement et consultez votre revendeur. Veuillez fournir au revendeur le nom du modèle.</li> </ul>												

\*1: Uniquement pour la télécommande à fil.

\*2: Uniquement pour la télécommande sans fil infrarouge.

## 8. Spécifications techniques

Modèle	PKA-A24KA4	PKA-A30KA4	PKA-A36KA4
Alimentation de l'appareil (Tension <V> / Fréquence <Hz>)	Single 208/230, 60		
Puissance Absorbée Normale (Intérieur uniquement) <kW>	0,05	0,05	0,08
Courant Assigné (Intérieur uniquement) <A>	0,36	0,36	0,57
CHAUFFAGE <kW>	-	-	-
Dimensions (Hauteur) <inch>	14-3/8		
Dimensions (Largeur) <inch>	46-1/16		
Dimensions (Profondeur) <inch>	11-5/8		
Débit de la soufflerie (Faible-Moyenne-Elevé) <CFM>	635-705-775		705-810-920
Niveau de bruit (Faible-Moyenne-Elevé) <dB>	39-42-45		41-45-49
Poids net <lbs>	46		

# Contenido

1. Medidas de Seguridad.....	14	6. Mantenimiento y limpieza .....	17
2. Nombres de las piezas .....	14	7. Localización de fallos .....	18
3. Manejo.....	16	8. Especificaciones.....	19
4. Temporizador.....	16		
5. Funcionamiento de emergencia del controlador remoto inalámbrico por infrarrojos .....	17		

## 1. Medidas de Seguridad

- ▶ Antes de instalar la unidad, asegúrese de haber leído el capítulo de “Medidas de seguridad”.
- ▶ Las “Medidas de seguridad” señalan aspectos muy importantes sobre seguridad. Es importante que se cumplan todos.
- ▶ Antes de conectar el sistema, informe al servicio de suministro o pídale permiso para efectuar la conexión.

### Símbolos utilizados en el texto

#### ⚠ Atención:

Describe precauciones que deben tenerse en cuenta para evitar el riesgo de lesiones o muerte del usuario.

#### ⚠ Cuidado:

Describe las precauciones que se deben tener para evitar daños en la unidad.

### Símbolos utilizados en las ilustraciones

⚡ : Indica una pieza que debe estar conectada a tierra.

#### ⚠ Atención:

- Para aparatos no accesibles para el público en general.
- La unidad no debe ser instalada por el usuario. Pida a su distribuidor o a una empresa debidamente autorizada que se lo instale. La incorrecta instalación de la unidad puede dar lugar a goteo de agua, descarga eléctrica o fuego.
- No se suba encima ni coloque objetos sobre la unidad.
- No vierta agua sobre la unidad ni la toque con las manos húmedas. Puede producirse una descarga eléctrica.
- No rocíe gases combustibles en las proximidades de la unidad. Puede haber riesgo de incendio.
- No coloque calentadores de gas o cualquier otro aparato de llama abierta expuestos a la corriente de aire descargada por la unidad. Puede dar lugar a una combustión incompleta.
- No extraiga el panel frontal del ventilador de la unidad exterior mientras esté en funcionamiento.

- Cuando note ruidos o vibraciones que no sean normales, pare la unidad, desconecte la fuente de alimentación y póngase en contacto con su proveedor.
- No inserte nunca dedos, palos, etc. en las tomas o salidas de aire.
- Si detecta olores raros pare la unidad, desconecte el interruptor de red y consulte con su distribuidor. De lo contrario puede haber una rotura, una descarga eléctrica o fuego.
- Este aparato de aire acondicionado NO debe ser utilizado por niños ni por personas inválidas sin el control de una persona adulta.
- Los niños pequeños deben estar vigilados por personas adultas para impedir que jueguen con el equipo de aire acondicionado.
- Si se producen fugas de gas refrigerante, pare la unidad, ventile bien la habitación y avise a su proveedor.

#### ⚠ Cuidado:

- No utilice objetos puntiagudos para apretar los botones ya que podría dañarse el controlador remoto.
- No bloquee ni cubra nunca las tomas y salidas de las unidades interior y exterior.

### Eliminación de la unidad

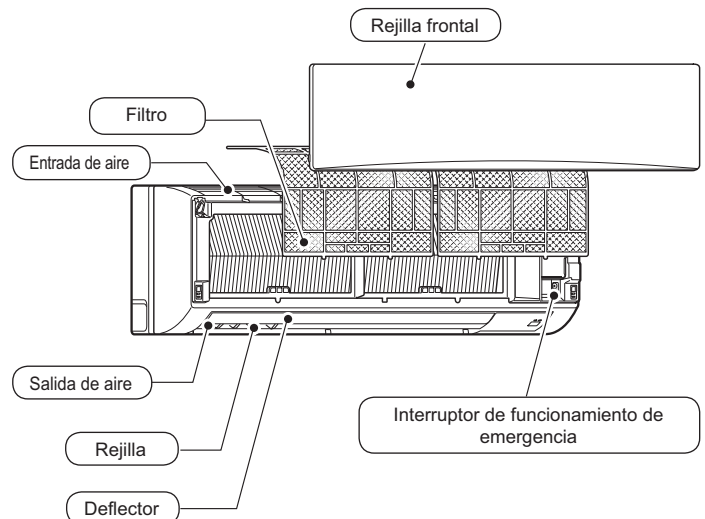
Cuando deba eliminar la unidad, consulte con su distribuidor.

## 2. Nombres de las piezas

### ■ Unidad interior

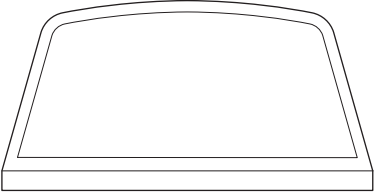
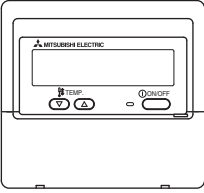
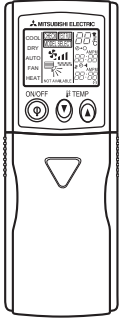
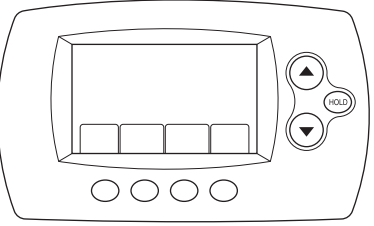
	PKA-A-KA4
Velocidad del ventilador	3 velocidades (con automático)
Deflector	Automático oscilante
Rejilla	Manual
Filtro	Normal
Indicación de limpieza de filtro	100 horas

### ■ PKA-A-KA4



## 2. Nombres de las piezas

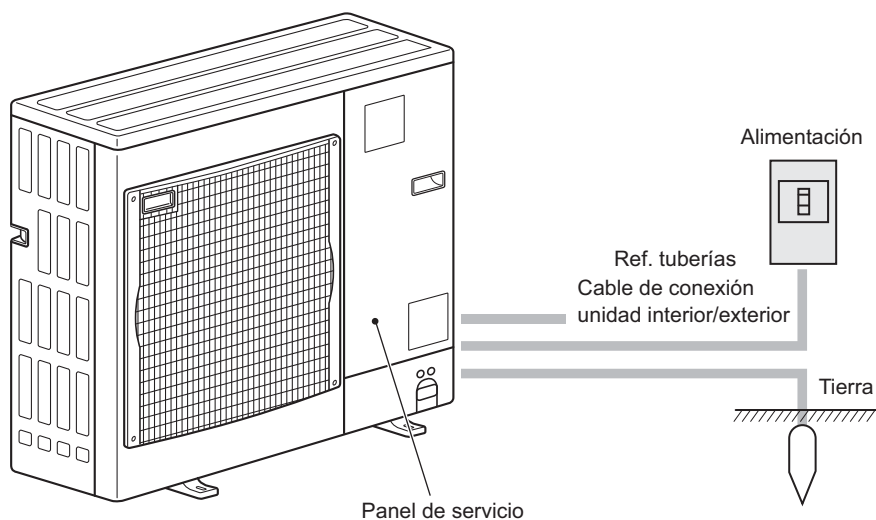
### ■ Controlador remoto (piezas opcionales)

Interfaz de radiofrecuencia	Controlador remoto cableado	Controlador remoto inalámbrico por infrarrojos
		
<b>Termostato de radiofrecuencia</b>		
		

### Nota: (sólo para el controlador remoto inalámbrico por infrarrojos)

- Si se utiliza un controlador remoto inalámbrico por infrarrojos, apunte con él hacia el receptor de la unidad interior.
- Si el controlador remoto inalámbrico por infrarrojos se utiliza en menos de 2 minutos después de haber encendido la unidad interior, dicha unidad podría pitar 2 veces, ya que estaría realizando la comprobación automática inicial.
- La unidad interior pitará para confirmar que ha recibido la señal transmitida desde el controlador remoto inalámbrico por infrarrojos. La unidad interior puede recibir señales emitidas a un máximo de 7 metros, 275 19/32 inch en línea recta en un rango de 45° a derecha e izquierda de la unidad. Sin embargo, ciertos sistemas de iluminación, con fluorescentes o luces fuertes, pueden afectar a la capacidad de recepción de señal de la unidad interior.
- Si la luz de funcionamiento situada cerca del receptor de la unidad interior parpadea, será necesario inspeccionar la unidad. Consulte a su representante del servicio técnico.
- ¡Maneje el controlador remoto inalámbrico por infrarrojos con cuidado! Evite que se caiga o que sufra golpes fuertes. Además, no moje el controlador remoto inalámbrico por infrarrojos ni lo deje en un lugar con un alto grado de humedad.
- Para no extraviar el controlador remoto inalámbrico por infrarrojos, instale el soporte incluido con el controlador remoto inalámbrico por infrarrojos en una pared y asegúrese de colocar siempre el controlador remoto inalámbrico por infrarrojos en el soporte tras su uso.

### ■ Unidad exterior



## 3. Manejo

- Para obtener información sobre el método de funcionamiento, consulte el manual de instrucciones suministrado con cada controlador remoto.

### 3.1. Encendido y apagado

Nota:

Aunque pulse una vez más el botón de encendido ON/OFF inmediatamente después de apagar el aparato, el acondicionador de aire no se pondrá en marcha hasta pasados tres minutos. Esto tiene como fin evitar daños en los componentes internos.

### 3.2. Selección de Modo de funcionamiento

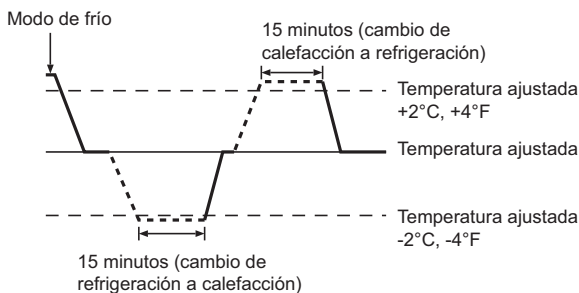
Están disponibles los modos de Refrigeración/Secado/Ventilador/ Calefacción/Automático (refrigeración/calefacción)/Ventilación.

Nota:

- Los modos Calefacción y Automático no pueden estar disponibles en las unidades de refrigeración exclusivamente.
- Modo Ventilación: sólo se indica en la siguiente condición. Se utiliza el controlador remoto cableado y la combinación LOSSNAY está conectada.
- Modo Automático

- De acuerdo con la temperatura ajustada, el funcionamiento de refrigeración comenzará si la temperatura de la sala es demasiado alta. El modo de calefacción comenzará si la temperatura de la sala es demasiado baja.

- Durante el funcionamiento automático, si la temperatura de la sala cambia y permanece 2 °C o más por encima de la temperatura ajustada durante 15 minutos, el acondicionador de aire cambiará a modo de frío. Asimismo, si la temperatura permanece 2 °C o más por debajo de la temperatura ajustada durante 15 minutos, el acondicionador de aire cambiará a modo de calor.



- Como la temperatura ambiente se ajusta automáticamente para mantener una temperatura efectiva fija, el modo de refrigeración se activa un par de grados por encima de la temperatura ajustada (y el modo de calefacción, un par de grados por debajo) una vez alcanzada dicha temperatura (modo automático de ahorro de energía).

### 3.3. Ajuste de la velocidad del ventilador

Nota:

- El número de velocidades del ventilador disponibles depende del tipo de unidad conectada.
- En los siguientes casos, la velocidad real del ventilador generada por la unidad diferirá de la velocidad mostrada en la pantalla del mando a distancia.
  1. Cuando la unidad está en los estados "CALENTANDO" o "DESCONGELACIÓN".
  2. Cuando la temperatura del intercambiador de calor es baja en modo de calefacción (por ejemplo, inmediatamente después de que se active el modo de calefacción).
  3. En modo HEAT, cuando la temperatura ambiente de la habitación es superior al valor de configuración de la temperatura.
  4. Cuando la unidad esté en modo DRY.

### 3.4. Ajuste de la dirección del flujo de aire

Nota:

- Durante la operación de oscilación, la indicación de dirección en la pantalla no cambia al mismo tiempo que los deflectores direccionales de la unidad.
- Las direcciones disponibles dependen del tipo de unidad conectada.
- En los siguientes casos, la dirección real del aire diferirá de la dirección indicada en la pantalla del mando a distancia.
  1. Cuando la unidad está en los estados "CALENTANDO" o "DESCONGELACIÓN".
  2. Inmediatamente después de iniciar el modo calentador (durante la espera para la realización del cambio de modo de funcionamiento).
  3. En modo calentador, cuando la temperatura ambiente de la sala sea superior a la configuración de la temperatura.

<[Manual] Para cambiar la dirección del aire Derecha/Izquierda>

\* El botón Louver no se puede utilizar.

■ Modelo PKA-A-KA4

- Detenga el funcionamiento de la unidad, sujete la palanca de los deflectores de flujo de aire a izquierda-derecha y ajústelos en la dirección deseada.
  - \* No los ajuste hacia adentro cuando la unidad esté en modo de refrigeración o secado, porque existe el riesgo de que se produzca condensación y gotee agua.



⚠ Cuidado:

Para evitar caídas, mantenga un buen equilibrio a la hora de manejar la unidad.

### 3.5. Ventilación

► Para combinación LOSSNAY

- Están disponibles los siguientes 2 modelos de funcionamiento.
  - Funcionamiento del ventilador junto a la unidad interior.
  - Funcionamiento independiente del ventilador.

Nota: (para el controlador remoto inalámbrico por infrarrojos y el termostato de radiofrecuencia)

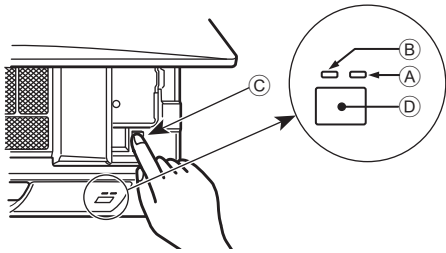
- El funcionamiento independiente del ventilador no está disponible.
- Ninguna indicación en el controlador remoto.

## 4. Temporizador

- Las funciones de temporizador son distintas en cada controlador remoto.
- Para obtener información sobre el manejo del controlador remoto, consulte el manual de instrucciones correspondiente incluido con cada controlador remoto.



## 5. Funcionamiento de emergencia del controlador remoto inalámbrico por infrarrojos



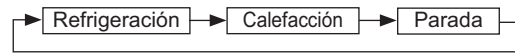
### Si no se puede utilizar el controlador remoto inalámbrico por infrarrojos

Si el controlador remoto inalámbrico por infrarrojos está estropeado o se le han agotado las pilas, se puede efectuar un accionamiento de emergencia con los botones destinados a este fin en la rejilla.

- Ⓐ Luz DEFROST/STAND BY (DESCONGELACIÓN/RESERVA) (Naranja)
- Ⓑ Luz de funcionamiento (Verde)
- Ⓒ Interruptor de funcionamiento de emergencia (calefacción/refrigeración)
- Ⓓ Receptor

- Cada vez que se pulsa el interruptor de funcionamiento de emergencia, se cambia de modo de funcionamiento.
- Compruebe "COOL/HEAT" con la pantalla del monitor de funcionamiento. (La pantalla aparecerá de color naranja durante 5 segundos tras el accionamiento del interruptor.)

### [Modelos con combinación de refrigeración y calefacción]



### [Modelos con sólo refrigeración]



### Pantalla del monitor de funcionamiento

	VERDE	NARANJA	
STOP	○	○	La pantalla aparecerá en naranja durante 5 segundos después de accionar el interruptor como se indica a la izquierda, y luego volverá a aparecer la pantalla normal.
COOL	●	○	
HEAT	●	●	

○ Apagado ● Encendido

\* Los detalles de funcionamiento en el momento del funcionamiento de emergencia aparecen a continuación.

Tenga en cuenta que, en los primeros 30 minutos aproximadamente, el ajuste de temperatura no funcionará y la unidad estará en funcionamiento continuo con el ventilador a velocidad alta.

Modo de funcionamiento	COOL	HEAT
Temperatura ajustada	24°C, 75°F	24°C, 75°F
Velocidad del ventilador	Alta	Alta
Dirección arriba/abajo del flujo de aire	Ajuste 1	Ajuste 4 (5)

## 6. Mantenimiento y limpieza

- La siguiente indicación muestra que es necesario cambiar el filtro.
  - Controlador remoto cableado: "FILTER"
  - Termostato de radiofrecuencia: "Clean Filter"
  - PIDE a personas autorizadas que limpien el filtro.
- Al restablecer la pantalla "FILTER" o "Clean Filter": para restablecer la indicación, consulte el manual de instrucciones de cada controlador remoto.

### Nota:

- Cuando se controlan dos o más tipos diferentes de unidad interior, el periodo de limpieza difiere con el tipo de filtro. Cuando llega el momento de limpiar la unidad principal, aparece "FILTER" (Filtro). Cuando se apague el indicador del filtro, el tiempo acumulado se reajustará. (sólo para el controlador remoto cableado)
- "FILTER" o "Clean Filter" indican el periodo de limpieza si el acondicionador de aire se ha utilizado en las condiciones de aire interior generales según los tiempos calculados. Ya que el grado de suciedad depende de las condiciones ambientales, limpie el filtro de acuerdo con las circunstancias.
- El periodo acumulado de limpieza del filtro difiere según el modelo.
- Esta indicación no está disponible para el controlador remoto inalámbrico por infrarrojos.

### ► Limpieza de los filtros

- Limpie los filtros con ayuda de una aspiradora. Si no tiene aspiradora, golpee suavemente los filtros contra un objeto sólido para desprender el polvo y la suciedad.
- Si los filtros están especialmente sucios, lávelos con agua tibia. Tenga cuidado de aclarar bien cualquier resto de detergente y deje que los filtros se sequen completamente antes de volver a ponerlos en la unidad.

### ⚠ Cuidado:

- No seque los filtros colocándolos al sol o con una fuente de calor como el de una estufa eléctrica; podrían deformarse.
- No lave los filtros en agua caliente (más de 50°C) ya que se deformarían.
- Cerciórese de que los filtros están siempre instalados. El funcionamiento de la unidad sin filtros puede provocar un mal funcionamiento.

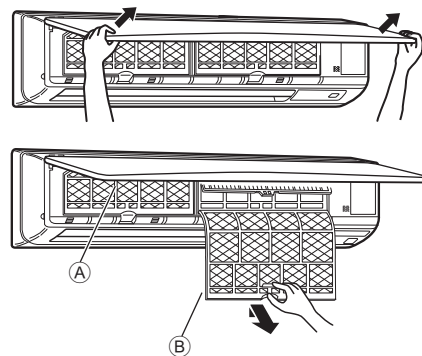
### ⚠ Cuidado:

- Antes de empezar la limpieza, apague la fuente de alimentación.
- Las unidades interiores están equipadas con un filtro que elimina el polvo del aire aspirado. Limpie el filtro usando los métodos indicados en las ilustraciones siguientes.

### ► Retirada del filtro

#### ⚠ Cuidado:

- Al retirar el filtro, tenga cuidado de protegerse los ojos del polvo. Asimismo, si para hacerlo tiene que subirse a un taburete, tenga cuidado de no caerse.
- Una vez retirado el filtro, no toque las partes metálicas que hay en la unidad interior, ya que puede causarle heridas.



- ① Con ambas manos, tire hacia afuera de las esquinas inferiores de la rejilla de entrada para abrirla y levante el filtro hasta que encaje en la posición de tope.

- ② Sujete los tiradores del filtro, tire del filtro hacia arriba y extráigalo hacia abajo.

(Ubicado en dos lugares: a la izquierda y a la derecha.)

Ⓐ Rejilla frontal

Ⓑ Filtro

## 7. Localización de fallos

¿Problemas?	Aquí tiene la solución. (La unidad funciona normalmente).
El acondicionador de aire no calienta o refrigera bien.	<ul style="list-style-type: none"> <li>■ Limpie el filtro (el flujo de aire se reduce cuando el filtro está sucio o atascado).</li> <li>■ Compruebe el ajuste de temperatura y modifique la temperatura ajustada.</li> <li>■ Asegúrese de que hay espacio suficiente alrededor de la unidad exterior. ¿Está bloqueada la entrada o la salida de aire de la unidad interior?</li> <li>■ ¿Ha dejado abierta una puerta o ventana?</li> </ul>
Cuando comienza el modo de calefacción, al principio no sale aire caliente de la unidad interior.	<ul style="list-style-type: none"> <li>■ El aire caliente no empieza a salir hasta que la unidad interior se ha calentado lo suficiente.</li> </ul>
Durante el modo de calor, el acondicionador de aire se detiene antes de alcanzar la temperatura ajustada para la habitación.	<ul style="list-style-type: none"> <li>■ Cuando la temperatura exterior es baja y la humedad es alta, puede formarse escarcha en la unidad exterior. Si esto sucede, la unidad exterior iniciará la operación de descongelación. Una vez transcurridos unos 10 minutos, se reanudará el funcionamiento normal.</li> </ul>
La dirección arriba/abajo del flujo de aire cambia durante el funcionamiento o no es posible cambiar la dirección del flujo de aire.	<ul style="list-style-type: none"> <li>■ Durante el modo de frío, los deflectores se mueven automáticamente a la posición horizontal (inferior) tras 1 hora cuando se ha seleccionado la dirección de flujo de aire inferior (horizontal). De esta forma se evita que se acumule agua y caiga desde los deflectores.</li> <li>■ Durante el modo de calor, los deflectores se mueven automáticamente a la posición de flujo de aire horizontal si la temperatura del flujo de aire es baja o durante el modo de descongelación.</li> </ul>
Cuando cambia la dirección arriba/abajo del flujo de aire, los deflectores siempre se mueven arriba y abajo antes de detenerse en la posición ajustada.	<ul style="list-style-type: none"> <li>■ Cuando cambia la dirección arriba/abajo del flujo de aire, los deflectores se mueven a la posición ajustada tras haber detectado la posición base.</li> </ul>
Se oye un sonido de agua fluyendo o, en ocasiones, una especie de silbido.	<ul style="list-style-type: none"> <li>■ Estos sonidos se pueden oír cuando el refrigerante fluye por el acondicionador de aire o cuando cambia el flujo del refrigerante.</li> </ul>
Se oye un traqueteo o un chirrido.	<ul style="list-style-type: none"> <li>■ Estos ruidos se oyen cuando las piezas rozan entre sí debido a la expansión y contracción provocadas por los cambios de temperatura.</li> </ul>
Hay un olor desagradable en la sala.	<ul style="list-style-type: none"> <li>■ La unidad interior recoge aire que contiene gases producidos por las paredes, moquetas y muebles, así como olores atrapados en las ropas y después lo devuelve a la sala.</li> </ul>
La unidad interior expulsa un vaho o humo blanco.	<ul style="list-style-type: none"> <li>■ Si la temperatura y la humedad de la unidad interior son altas, esto puede suceder inmediatamente tras encender el acondicionador de aire.</li> <li>■ Durante el modo de descongelación, el aire frío puede salir hacia abajo con la apariencia de vaho.</li> </ul>
La unidad exterior expulsa agua o vapor.	<ul style="list-style-type: none"> <li>■ Durante el modo de frío, puede acumularse agua y gotear de las tuberías y juntas de refrigeración.</li> <li>■ Durante el modo de calor, puede acumularse agua y gotear del intercambiador de calor.</li> <li>■ Durante el modo de descongelación, el agua del intercambiador de calor se evapora, por lo que se emite vapor de agua.</li> </ul>
El indicador de funcionamiento no aparece en la pantalla del controlador remoto cableado. (*1)	<ul style="list-style-type: none"> <li>■ Encienda el equipo. "●" aparecerá en la pantalla del controlador remoto cableado.</li> </ul>
"☒" aparece en la pantalla del controlador remoto cableado. (*1)	<ul style="list-style-type: none"> <li>■ Durante el control central, "☒" aparece en la pantalla del controlador remoto cableado y no se puede iniciar ni detener el funcionamiento del acondicionador de aire utilizando el controlador remoto cableado.</li> </ul>
Al reiniciar el acondicionador de aire poco después de apagarlo, no funciona al pulsar el botón ON/OFF (ENCENDIDO/APAGADO).	<ul style="list-style-type: none"> <li>■ Espere unos tres minutos. (El funcionamiento se ha detenido para proteger el acondicionador de aire).</li> </ul>
El acondicionador de aire funciona sin haber pulsado el botón ON/OFF (ENCENDIDO/APAGADO). (*1)	<ul style="list-style-type: none"> <li>■ ¿Está ajustado el temporizador de encendido? Pulse el botón ON/OFF (ENCENDIDO/APAGADO) para detener el funcionamiento.</li> <li>■ ¿El acondicionador de aire está conectado a un controlador remoto cableado central? Consulte a la persona encargada de controlar el acondicionador de aire.</li> <li>■ ¿Aparece "☒" en la pantalla del controlador remoto cableado? Consulte a la persona encargada de controlar el acondicionador de aire.</li> <li>■ ¿Se ha ajustado la función de auto-recuperación para caídas de tensión? Pulse el botón ON/OFF (ENCENDIDO/APAGADO) para detener el funcionamiento.</li> </ul>
El acondicionador de aire se detiene sin haber pulsado el botón ON/OFF (ENCENDIDO/APAGADO). (*1)	<ul style="list-style-type: none"> <li>■ ¿Está ajustado el temporizador de apagado? Pulse el botón ON/OFF (ENCENDIDO/APAGADO) para reiniciar el funcionamiento.</li> <li>■ ¿El acondicionador de aire está conectado a un controlador remoto cableado central? Consulte a la persona encargada de controlar el acondicionador de aire.</li> <li>■ ¿Aparece "☒" en la pantalla del controlador remoto cableado? Consulte a la persona encargada de controlar el acondicionador de aire.</li> </ul>
No es posible establecer el funcionamiento del temporizador del controlador remoto cableado. (*1)	<ul style="list-style-type: none"> <li>■ ¿Los ajustes del temporizador no son válidos? Si es posible establecer el temporizador, en la pantalla del controlador remoto cableado aparecerá (WEEKLY), (SIMPLE), o (AUTO OFF).</li> </ul>
En la pantalla del controlador remoto cableado aparecerá "PLEASE WAIT". (*1)	<ul style="list-style-type: none"> <li>■ Se han realizado los ajustes iniciales. Espere unos 3 minutos.</li> </ul>
En la pantalla del controlador remoto aparece un código de error.	<ul style="list-style-type: none"> <li>■ Los dispositivos de protección se han activado para proteger el acondicionador de aire.</li> <li>■ No intente reparar el equipo usted mismo. Apague inmediatamente el acondicionador de aire y póngase en contacto con su distribuidor. Asegúrese de indicar al distribuidor el nombre del modelo y la información que aparecía en la pantalla del controlador remoto.</li> </ul>
Se oye un ruido de drenaje de agua o rotación de motor.	<ul style="list-style-type: none"> <li>■ Cuando se detiene el funcionamiento de refrigeración, la bomba de drenaje se activa y luego se detiene. Espere unos 3 minutos.</li> </ul>

## 7. Localización de fallos

¿Problemas?	Aquí tiene la solución. (La unidad funciona normalmente).												
Cuando comienza el modo de deshumidificación, la temperatura establecida cambia.	<ul style="list-style-type: none"> <li>■ Cuando comienza el modo de deshumidificación, la temperatura cambia automáticamente a la temperatura óptima inicialmente establecida.</li> </ul>												
El ruido es mayor de lo indicado en las especificaciones.	<ul style="list-style-type: none"> <li>■ El nivel de ruido del funcionamiento interior depende de la acústica de la sala en cuestión tal y como se indica en la siguiente tabla, por lo que puede ser superior a los valores de las especificaciones, que se midieron en salas sin eco.</li> </ul> <table border="1"> <thead> <tr> <th></th> <th>Salas de alta absorción del sonido</th> <th>Salas normales</th> <th>Salas de baja absorción del sonido</th> </tr> </thead> <tbody> <tr> <td>Ejemplos de lugares</td> <td>Estudio de radiotransmisión, salas de mezclas, etc.</td> <td>Sala de recepción, hall de un hotel, etc.</td> <td>Oficina, habitación de hotel</td> </tr> <tr> <td>Niveles de ruido</td> <td>3 a 7 dB</td> <td>6 a 10 dB</td> <td>9 a 13 dB</td> </tr> </tbody> </table>		Salas de alta absorción del sonido	Salas normales	Salas de baja absorción del sonido	Ejemplos de lugares	Estudio de radiotransmisión, salas de mezclas, etc.	Sala de recepción, hall de un hotel, etc.	Oficina, habitación de hotel	Niveles de ruido	3 a 7 dB	6 a 10 dB	9 a 13 dB
	Salas de alta absorción del sonido	Salas normales	Salas de baja absorción del sonido										
Ejemplos de lugares	Estudio de radiotransmisión, salas de mezclas, etc.	Sala de recepción, hall de un hotel, etc.	Oficina, habitación de hotel										
Niveles de ruido	3 a 7 dB	6 a 10 dB	9 a 13 dB										
En la pantalla del controlador remoto inalámbrico por infrarrojos no aparece nada, la pantalla está débil o no se reciben señales de la unidad interior a menos que el controlador remoto inalámbrico por infrarrojos esté cerca. (*2)	<ul style="list-style-type: none"> <li>■ Las pilas apenas tienen carga. Sustitúyalas y pulse el botón Reset (Restablecimiento).</li> <li>■ Si la situación no cambia al sustituir las pilas, asegúrese de que están colocadas con la polaridad correcta (+, -).</li> </ul>												
La luz de funcionamiento cerca del receptor del controlador remoto inalámbrico por infrarrojos de la unidad interior está parpadeando. (*2)	<ul style="list-style-type: none"> <li>■ La función de autodiagnóstico se ha activado para proteger el acondicionador de aire.</li> <li>■ No intente reparar el equipo usted mismo. Apague inmediatamente el acondicionador de aire y póngase en contacto con su distribuidor. Asegúrese de indicar al distribuidor el nombre del modelo.</li> </ul>												

\*1: Sólo para el controlador remoto cableado.

\*2: Sólo para el controlador remoto inalámbrico por infrarrojos.

## 8. Especificaciones

Modelo	PKA-A24KA4	PKA-A30KA4	PKA-A36KA4
Alimentación (Voltaje <V>/Frecuencia <Hz>)	Single 208/230, 60		
Entrada nominal (sólo en la unidad interior) <kW>	0,05	0,05	0,08
Corriente nominal (sólo en la unidad interior) <A>	0,36	0,36	0,57
CALEFACTOR <kW>	-	-	-
Dimensión (altura) <inch>	14-3/8		
Dimensión (ancho) <inch>	46-1/16		
Dimensión (profundidad) <inch>	11-5/8		
Régimen de flujo de aire del ventilador (bajo-Media-alto) <CFM>	635-705-775		705-810-920
Nivel de ruido (bajo-Media-alto) <dB>	39-42-45		41-45-49
Peso neto <lbs>	46		

---

Please be sure to put the contact address/telephone number on  
this manual before handing it to the customer.