

Air-Conditioners For Building Application INDOOR UNIT

**PKFY-NBMU-E / PKFY-NHMU-E
PMFY-NBMU-E / PCFY-NKMU-E**

OPERATION MANUAL

For safe and correct use, please read this operation manual thoroughly before operating the air-conditioner unit.

FOR USER

MANUEL D'UTILISATION

Pour une utilisation correcte sans risques, veuillez lire le manuel d'utilisation en entier avant de vous servir du climatiseur.

POUR L'UTILISATEUR

MANUAL DE INSTRUCCIONES

Lea este manual de instrucciones hasta el final antes de poner en marcha la unidad de aire acondicionado para garantizar un uso seguro y correcto.

PARA EL USUARIO

English

Français

Español

Contents

| | | | |
|-----------------------------------------------|---|-------------------------------------------------------------|----|
| 1. Safety Precautions | 2 | 7. Other Functions | 11 |
| 2. Parts Names | 2 | 8. Function Selection | 12 |
| 3. Screen Configuration | 6 | 9. Emergency operation for wireless remote-controller | 16 |
| 4. Setting the Day of the Week and Time | 6 | 10. Care and Cleaning | 16 |
| 5. Operation | 6 | 11. Trouble Shooting | 17 |
| 6. Timer | 8 | 12. Specifications | 19 |

1. Safety Precautions

- ▶ Before installing the unit, make sure you read all the “Safety Precautions”.
- ▶ The “Safety Precautions” provide very important points regarding safety. Make sure you follow them.
- ▶ Please report to or take consent by the supply authority before connection to the system.

Symbols used in the text

⚠ Warning:
Describes precautions that should be observed to prevent danger of injury or death to the user.

⚠ Caution:
Describes precautions that should be observed to prevent damage to the unit.

Symbols used in the illustrations

⚡ : Indicates a part which must be grounded.

⚠ Warning:

- For appliances not accessible to the general public.
- The unit must not be installed by the user. Ask the dealer or an authorized company to install the unit. If the unit is installed improperly, water leakage, electric shock or fire may result.
- Do not stand on, or place any items on the unit.
- Do not splash water over the unit and do not touch the unit with wet hands. An electric shock may result.
- Do not spray combustible gas close to the unit. Fire may result.
- Do not place a gas heater or any other open-flame appliance where it will be exposed to the air discharged from the unit. Incomplete combustion may result.
- Do not remove the front panel or the fan guard from the outdoor unit when it is running.
- Never repair the unit or transfer it to another site by yourself.

- When you notice exceptionally abnormal noise or vibration, stop operation, turn off the power switch, and contact your dealer.
- Never insert fingers, sticks etc. into the intakes or outlets.
- If you detect odd smells, stop using the unit, turn off the power switch and consult your dealer. Otherwise, a breakdown, electric shock or fire may result.
- This air conditioner is NOT intended for use by children or infirm persons without supervision.
- Young children must be supervised to ensure that they do not play with the air conditioner.
- If the refrigeration gas blows out or leaks, stop the operation of the air conditioner, thoroughly ventilate the room, and contact your dealer.

⚠ Caution:

- Do not use any sharp object to push the buttons, as this may damage the remote controller.
- Never block or cover the indoor or outdoor unit’s intakes or outlets.
- Never wipe the remote controller with benzene, thinner chemical rags, etc.
- Do not operate the unit for a long time in high humidity, e.g. leaving a door or window open. In the cooling mode, if the unit is operated in a room with high humidity (80% RH or more) for a long time, water condensed in the air conditioner may drop and wet or damage furniture, etc.

- Do not touch the upper air outlet vane or the lower air outlet damper during operation. Otherwise, condensation may form and the unit may stop operating.

Disposing of the unit

When you need to dispose of the unit, consult your dealer.

2. Parts Names

■ Indoor Unit

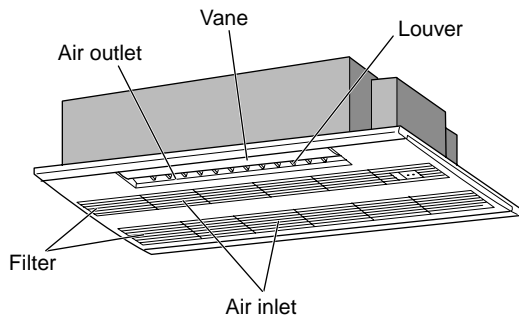
| | | PKFY-P-NBMU-E | PKFY-P-NHMU-E | PMFY-P-NBMU-E | PCFY-P-NKMU-E |
|----------------------------|------------|---------------|----------------|---------------|----------------|
| Fan speed | | 4 speed | 3 speed+ Auto* | 4 speed | 4 speed+ Auto* |
| Vane | Steps | 4 steps | 5 steps | 4 steps | 5 steps |
| | Auto swing | × | ○ | ○ | ○ |
| Louver | | Manual | Manual | Manual | Manual |
| Filter | | Normal | Normal | Normal | Long-life |
| Filter cleaning indication | | 100 hr | 100 hr | 100 hr | 2,500 hr |

* This operation is available only using the remote controller that is able to set its Fan speed setting "Auto".

2. Parts Names

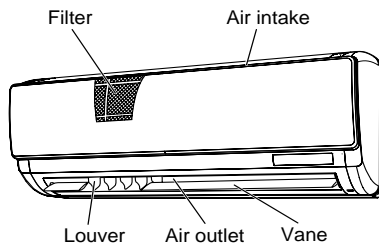
■ PMFY-P-NBMU-E

1-way Ceiling Cassette



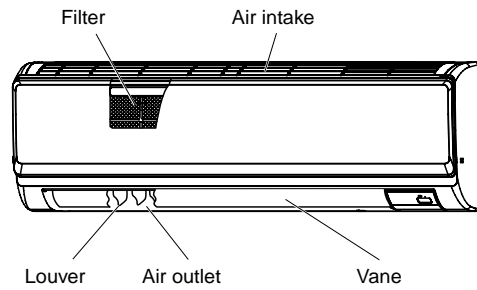
■ PKFY-P-NBMU-E

Wall Mounted



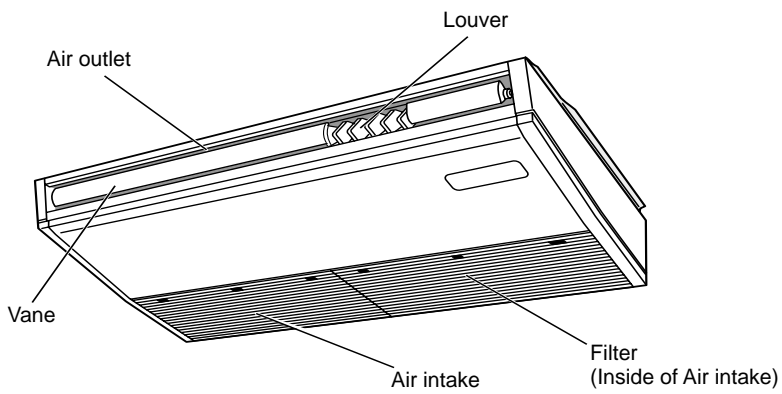
■ PKFY-P-NHMU-E

Wall Mounted



■ PCFY-P-NKMU-E

Ceiling Suspended



2. Parts Names

■ Wired Remote-Controller

Display Section

For purposes of this explanation, all parts of the display are shown. During actual operation, only the relevant items will be displayed.

Identifies the current operation
Shows the operating mode, etc.
* Multi-language display is supported.

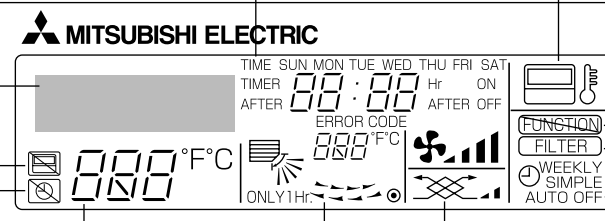
"Centrally Controlled" indicator
Indicates that operation of the remote controller has been prohibited by a master controller.

"Timer is Off" indicator
Indicates that the timer is off.

Temperature Setting
Shows the target temperature.

Day-of-Week
Shows the current day of the week.

Time/Timer Display
Shows the current time, unless the simple or Auto Off timer is set.
If the simple or Auto Off timer is set, shows the time remaining.



Up/Down Air Direction indicator
The indicator shows the direction of the airflow.

"One Hour Only" indicator
Displayed if the airflow is set to Low and downward during COOL or DRY mode. (Operation varies according to model.)
The indicator goes off after one hour when the airflow direction also changes.

Room Temperature display
Shows the room temperature. The room temperature display range is 8-39°C, 46-102°F. The display blinks if the temperature is less than 8°C, 46°F or 39°C, 102°F or more.

Louver display
Indicates the action of the swing louver. Does not appear if the louver is stationary.

(●) (Power On indicator)
Indicates that the power is on.

"Sensor" indication
Displayed when the remote controller sensor is used.

"Locked" indicator
Indicates that remote controller buttons have been locked.

"Clean The Filter" indicator
Comes on when it is time to clean the filter.

Timer indicators
The indicator comes on if the corresponding timer is set.

Fan Speed indicator
Shows the selected fan speed.

Ventilation indicator
Appears when the unit is running in Ventilation mode.

Operation Section

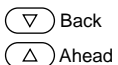
Set Temperature buttons



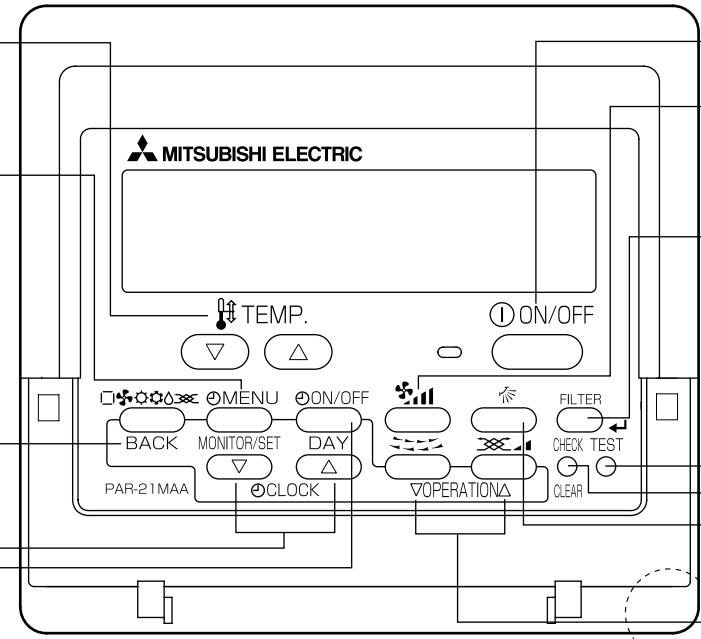
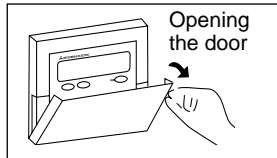
Timer Menu button (Monitor/Set button)

Mode button (Return button)

Set Time buttons



Timer On/Off button (Set Day button)



ON/OFF button

Fan Speed button

Filter button (<Enter> button)

Test Run button

Check button (Clear button)

Airflow Up/Down button

Louver button (▽ Operation button)

▽ To return operation number

Ventilation button (△ Operation button)

△ To go to next operation number

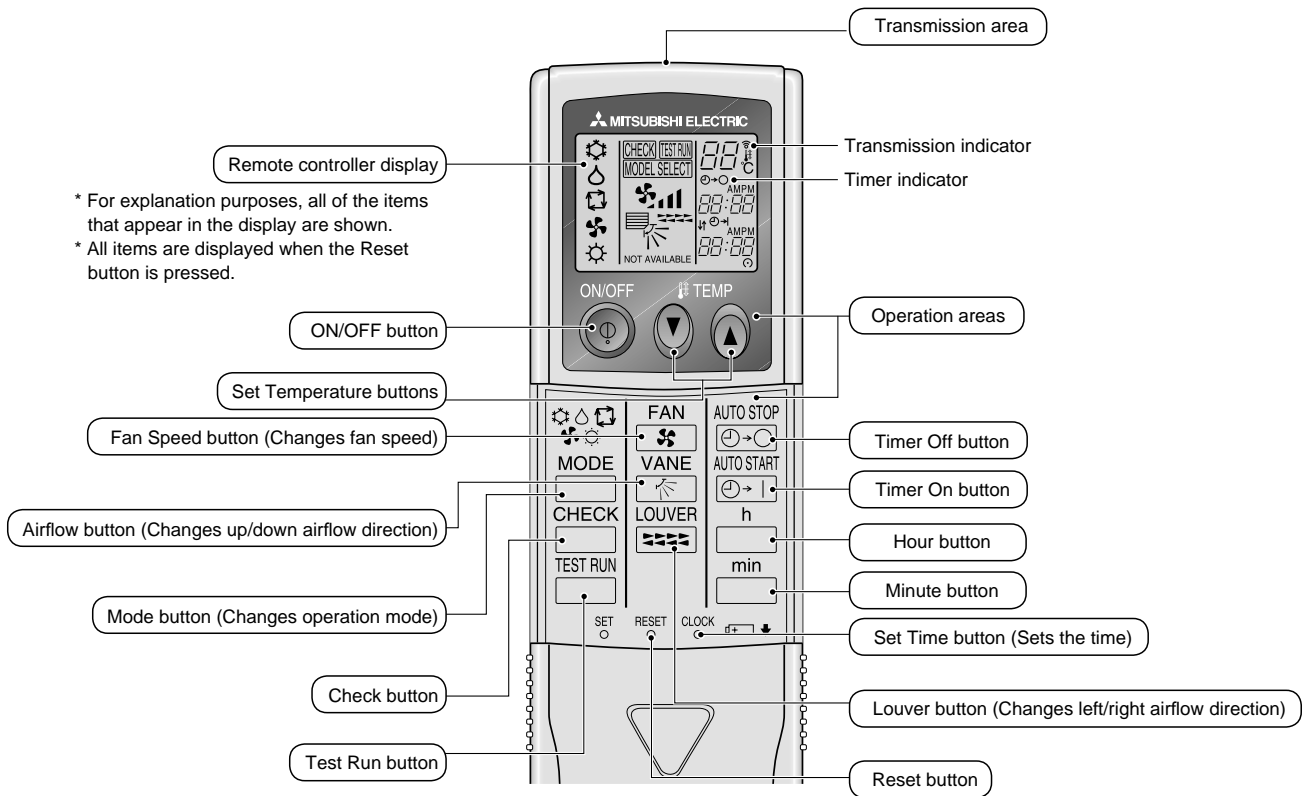
Built-in temperature sensor

Note:

- "PLEASE WAIT" message
This message is displayed for approximately 3 minutes when power is supplied to the indoor unit or when the unit is recovering from a power failure.
- Operation mode blinking display
When multiple indoor units are connected to a single outdoor unit and an operation mode is selected for one indoor unit that is different from the current operation mode of another indoor unit, the operation mode display blinks. Select the same operation mode of the other indoor unit.
- "NOT AVAILABLE" message
This message is displayed if a button is pressed to operate a function that the indoor unit does not have.
When the same remote controller is used to operate multiple indoor units, this message is displayed if the main indoor unit is not equipped with the selected function.
- Room temperature display
The indoor unit temperature sensors or the remote controller temperature sensor can be selected to measure the room temperature. The indoor unit temperature sensors are the initial setting. When the indoor unit temperature sensors are selected to measure the room temperature, the room temperature measured at the main indoor unit is displayed on the remote controller that operates multiple indoor units.

2. Parts Names

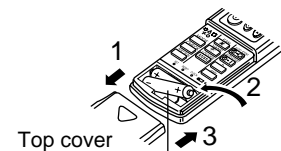
■ Wireless Remote-Controller



- When using the wireless remote controller, point it towards the receiver on the indoor unit.
- If the remote controller is operated within approximately two minutes after power is supplied to the indoor unit, the indoor unit may beep twice as the unit is performing the initial automatic check.
- The indoor unit beeps to confirm that the signal transmitted from the remote controller has been received. Signals can be received up to approximately 23ft.(7m) in a direct line from the indoor unit in an area 45° to the left and right of the unit. However, illumination such as fluorescent lights and strong light can affect the ability of the indoor unit to receive signals.
- If the operation lamp near the receiver on the indoor unit is blinking, the unit needs to be inspected. Consult your dealer for service.
- Handle the remote controller carefully! Do not drop the remote controller or subject it to strong shocks. In addition, do not get the remote controller wet or leave it in a location with high humidity.
- To avoid misplacing the remote controller, install the holder included with the remote controller on a wall and be sure to always place the remote controller in the holder after use.

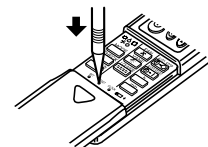
Battery installation/replacement

1. Remove the top cover, insert two AAA batteries, and then install the top cover.



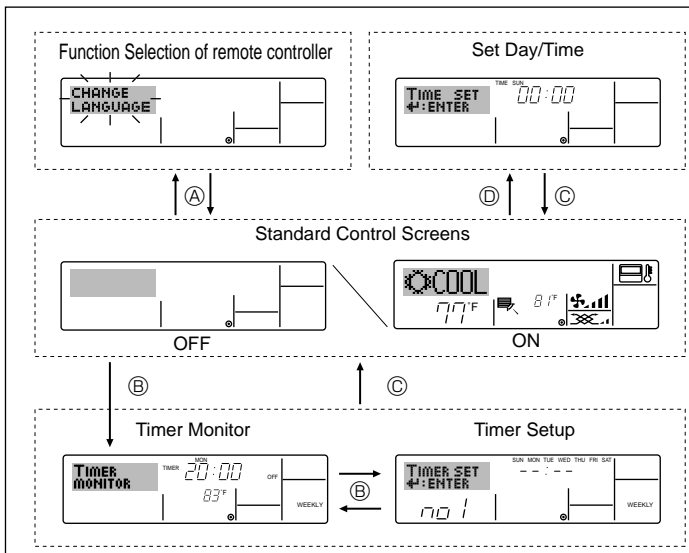
Two AAA batteries
Insert the negative (-)
end of each battery first.
Install the batteries in
the correct directions
(+, -)!

2. Press the Reset button.



Press the Reset button
with an object that has
a narrow end.

3. Screen Configuration



<Screen Types>

For details on setting the language for the remote controller display, refer to section 8. Function Selection.

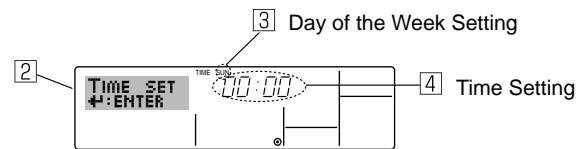
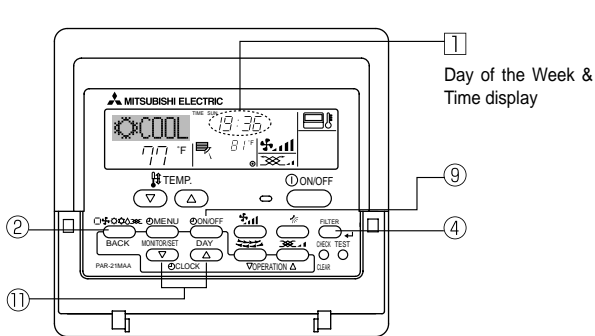
The initial language setting is English.

- **Function Selection of remote controller:**
Set the functions and ranges available to the remote controller (timer functions, operating restrictions, etc.)
- **Set Day/Time:**
Set the current day of the week or time.
- **Standard Control Screens:**
View and set the air conditioning system's operating status.
- **Timer Monitor:**
View the currently set timer (weekly timer, simple timer or Auto Off timer).
- **Timer Setup:**
Set the operation of any of the timers (weekly timer, simple timer or Auto Off timer).

<How to change the screen>

- (A) : Hold down both the Mode button and the Timer On/Off button for 2 seconds.
- (B) : Press the Timer Menu button.
- (C) : Press the Mode (Return) button.
- (D) : Press either of the Set Time buttons (▽ or △).

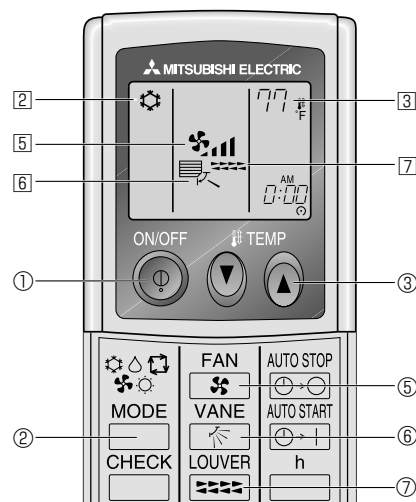
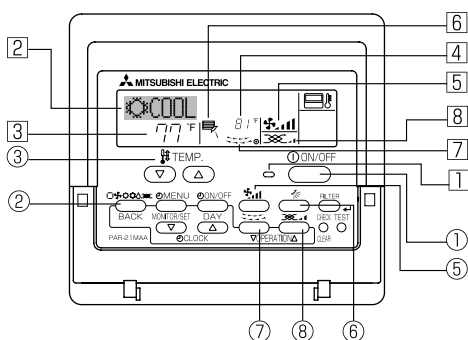
4. Setting the Day of the Week and Time



1. Press the ▽ or △ Set Time button ① to show display ②.
2. Press the Timer On/Off (Set Day) button ⑨ to set the day.
* Each press advances the day shown at ③:
Sun → Mon → ... → Fri → Sat.
3. Press the appropriate Set Time button ① as necessary to set the time.
* As you hold the button down, the time (at ④) will increment first in one-minute intervals, then in ten-minute intervals, and then in one-hour intervals.
4. After making the appropriate settings at Steps 2 and 3, press the Filter ← button ④ to lock in the values.

Note:
The day and time will not appear if clock use has been disabled at Function Selection of remote controller.

5. Operation



5.1. Turning ON/OFF

<To Start Operation>

- Press the ON/OFF button ①.
 - The ON lamp ① and the display area come on.

Note:

- When the unit is restarted, initial settings are as follows.

| | Remote Controller settings | | |
|---------------------|----------------------------|-------------|------------------|
| Mode | Last operation mode | | |
| Temperature setting | Last set temperature | | |
| Fan speed | Last set fan speed | | |
| Airflow up/down | Mode | COOL or DRY | Horiz. outlet *1 |
| | | HEAT | Last setting *2 |
| | | FAN | Horiz. outlet *1 |

*1 Last setting might be applied depending on the type of the indoor unit.
*2 In case of the last setting is swing, airflow might be Downward 4 depending on the type of the indoor unit.

<To Stop Operation>

- Press the ON/OFF button ① again.
 - The ON lamp ① and the display area go dark.

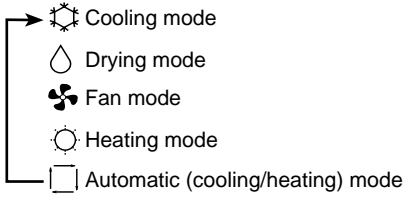
Note:

Even if you press the ON/OFF button immediately after shutting down the operation in progress, the air conditioner will not start for about three minutes. This is to prevent the internal components from being damaged.

5. Operation

5.2. Mode select

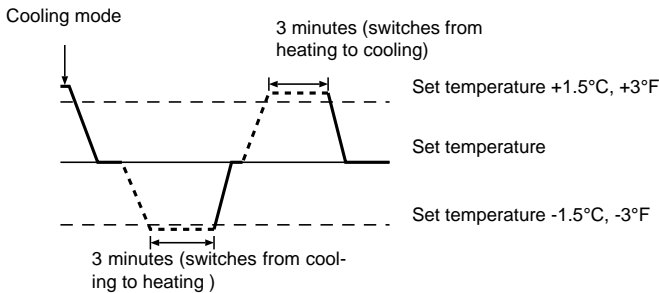
Press the operation mode () button ② and select the operation mode ②.



Automatic operation

According to a set temperature, cooling operation starts if the room temperature is too hot and heating operation starts if the room temperature is too cold.

During automatic operation, if the room temperature changes and remains 1.5°C, 3°F or more above the set temperature for 3 minutes, the air conditioner switches to cooling mode. In the same way, if the room temperature remains 1.5°C, 3°F or more below the set temperature for 3 minutes, the air conditioner switches to heating mode.



Because the room temperature is automatically adjusted in order to maintain a fixed effective temperature, cooling operation is performed a few degrees warmer and heating operation is performed a few degrees cooler than the set room temperature once the temperature is reached (automatic energy-saving operation).

5.3. Temperature setting

To decrease the room temperature:

Press () button ③ to set the desired temperature. The selected temperature is displayed at ③.

To increase the room temperature:

Press () button ③ to set the desired temperature. The selected temperature is displayed at ③.

- Available temperature ranges are as follows:
Cooling/Drying: 19 - 30°C, 67 - 87 °F
Heating: 17 - 28°C, 63 - 83 °F
Automatic: 19 - 28°C, 67 - 83 °F
- The display blinks either 8°C - 39°C, 46°F - 102°F to inform you if the room temperature is lower or higher than the displayed temperature.

5.4. Fan speed setting

Press the Fan Speed button ⑤ as many times as necessary while the system is running.

- Each press changes the force. The currently selected speed is shown at ⑤.
- The change sequence, and the available settings are as follows.

| FAN SPEED | Display |
|------------------|----------------------------------------------|
| 4-speed + Auto * | Speed 1 → Speed 2 → Speed 3 → Speed 4 → Auto |
| 3-speed + Auto * | Speed 1 → Speed 2 → Speed 3 → Auto |
| 4-speed model | Speed 1 → Speed 2 → Speed 3 → Speed 4 |

* For MA remote controller only.

Automatic fan speed setting is necessary for wireless remote controller.

Note:

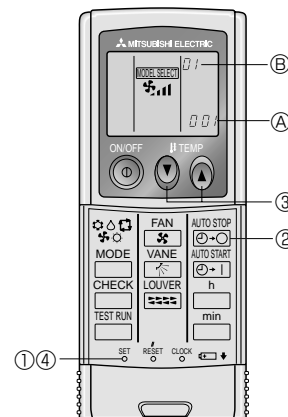
- The number of available fan speeds depends on the type of unit connected. Note also that some units do not provide an "Auto" setting.
- In the following cases, the actual fan speed generated by the unit will differ from the speed shown the remote controller display.
 - While the display is showing "STAND BY" or "DEFROST".
 - When the temperature of the heat exchanger is low in the heating mode. (e.g. immediately after heating operation starts)
 - In HEAT mode, when room temperature is higher than the temperature setting.
 - When the unit is in DRY mode.

Automatic fan speed setting (For wireless remote controller)

It is necessary to set for wireless remote controller only when automatic fan speed is not set at default setting. It is not necessary to set for wired remote controller with automatic fan speed at default setting.

This setting is not necessary for the wireless remote controller kit which is an optional part for PCFY-P-NKMU-E.

- Press the SET button with something sharp at the end. Operate when display of remote controller is off. MODEL SELECT blinks and Model No. is lighted ④.
- Press the AUTO STOP () button. blinks and setting No. is lighted ⑤. (Setting No.01: without automatic fan speed)
- Press the temp. () () buttons to set the setting No.02. (Setting No.02:with automatic fan speed) If you mistook the operation, press the ON/OFF () button and operate again from procedure ②.
- Press the SET button with something sharp at the end. MODEL SELECT and Model No. are lighted for 3 seconds, then turned off.



5.5. Airflow direction setting

<To Change the Airflow's Up/Down Direction>

- With the unit running, press the Airflow Up/Down button ⑥ as necessary.
 - Each press changes the direction. The current direction is shown at ⑥.
 - The change sequence, and the available settings, are as follows.

| Airflow | Display |
|-----------------|------------------------|
| 5 steps model*1 | Swing Auto 1 2 3 4 5 |
| 4 steps model | Swing (Horiz.) 1 2 3 4 |

* Note that during swing operation, the directional indication on the screen does not change in sync with the directional vanes on the unit.

* Some models do not support directional settings.

*1. For MA remote controller only, other remote controllers display the same as 4 steps model.

*2. PKFY-P-NBMU-E has no swing display.

*3. Airflow direction setting <Auto>

COOL / FAN / DRY: Setting 1 (Horizontal), HEAT: Setting 5 (Downward 5)

5. Operation

Note:

- Available directions depend on the type of unit connected. Note also that some units do not provide an "Auto" setting.
- In the following cases, the actual air direction will differ from the direction indicated on the remote controller display.
 1. While the display is showing "STAND BY" or "DEFROST".
 2. Immediately after starting heater mode (while the system is waiting for the mode change to take effect).
 3. In heat mode, when room temperature is higher than the temperature setting.

<[Manual] To Change the Airflow's Left/Right Direction>

* The louver button ⑦ cannot be used.

- Stop the unit operation, hold the lever of the louver, and adjust to the desired direction.
- * Do not set to the inside direction when the unit is in the cooling or drying mode because there is a risk of condensation and water dripping.



⚠ Caution:

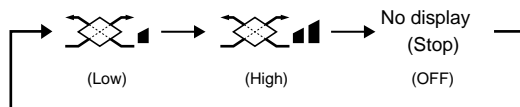
When you operate the process above, be sure to take measures to avoid falls.

5.6. Ventillation

► For LOSSNAY combination

5.6.1. For Wired Remote-controller

- To run the ventilator together with the indoor unit:
 - Press the ON/OFF button ①.
 - The Vent indication appears on the screen (at ⑧). The ventilator will now automatically operate whenever the indoor unit is running.
- To run the ventilator only when the indoor unit is off:
 - Press the Ventilation button ⑨ while the indoor unit is off.
 - The On lamp (at ⑩) and the Vent indication (at ⑧) come on.
- To change the ventilator force:
 - Press the Ventilation button ⑨ as necessary.
 - Each press toggles the setting as shown below.



Note:

- With some model configurations, the fan on the indoor unit may come on even when you set the ventilator to run independently.

6. Timer

6.1. For Wired Remote-controller

You can use Function Selection of remote controller to select which of three types of timer to use: ① Weekly timer, ② Simple timer or ③ Auto Off timer.

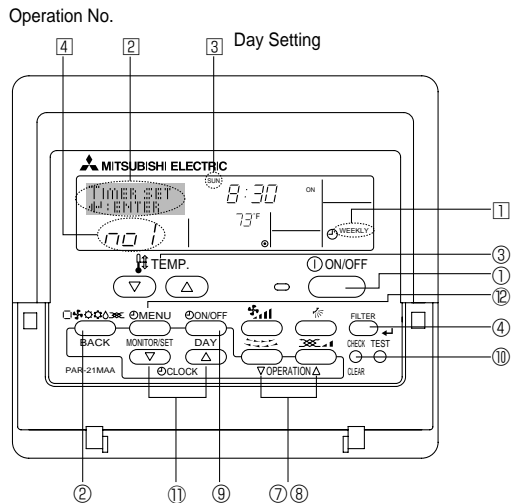
6.1.1. Weekly Timer

- The weekly timer can be used to set up to eight operations for each day of the week.
 - Each operation may consist of any of the following: ON/OFF time together with a temperature setting, or ON/OFF time only, or temperature setting only.
 - When the current time reaches a time set at this timer, the air conditioner carries out the action set by the timer.
- Time setting resolution for this timer is 1 minute.

Note:

1. Weekly Timer/Simple Timer/Auto Off Timer cannot be used at the same time.
2. The weekly timer will not operate when any of the following conditions is in effect.

The timer feature is off; the system is in an malfunction state; a test run is in progress; the remote controller is undergoing self-check or remote controller check; the user is in the process of setting a function; the user is in the process of setting the timer; the user is in the process of setting the current day of the week or time; the system is under central control. (Specifically, the system will not carry out operations (unit on, unit off, or temperature setting) that are prohibited during these conditions.)



<How to Set the Weekly Timer>

1. Be sure that you are at a standard control screen, and that the weekly timer indicator ① is shown in the display.
 2. Press the Timer Menu button ②, so that the "Set Up" appears on the screen (at ③). (Note that each press of the button toggles the display between "Set Up" and "Monitor".)
 3. Press the Timer On/Off (Set Day) button ④ to set the day. Each press advances the display at ⑤ to the next setting, in the following sequence: "Sun Mon Tues Wed Thurs Fri Sat" → "Sun" → ... → "Fri" → "Sat" → "Sun Mon Tues Wed Thurs Fri Sat"...
 4. Press the ∇ or ∆ Operation button (⑦ or ⑧) as necessary to select the appropriate operation number (1 to 8) ④.
 - * Your inputs at Steps 3 and 4 will select one of the cells from the matrix illustrated below.
- (The remote-controller display at left shows how the display would appear when setting Operation 1 for Sunday to the values indicated below.)

Setup Matrix

| Op No. | Sunday | Monday | ... | Saturday |
|--------|--------------------------|------------------|------------------|------------------|
| No. 1 | • 8:30 • ON • 73°F | | | |
| No. 2 | • 10:00 • OFF | • 10:00 • OFF | • 10:00 • OFF | • 10:00 • OFF |
| ... | | | | |
| No. 8 | | | | |

<Operation 1 settings for Sunday>
Start the air conditioner at 8:30, with the temperature set to 73 °F

<Operation 2 settings for every day>
Turn off the air conditioner at 10:00.

Note:

By setting the day to "Sun Mon Tues Wed Thurs Fri Sat", you can set the same operation to be carried out at the same time every day. (Example: Operation 2 above, which is the same for all days of the week.)

Shows the time setting ⑤ ⑥ Shows the selected operation (ON or OFF)
* Does not appear if operation is not set.

Shows the temperature setting ⑦
* Does not appear if temperature is not set.

6. Timer

<Setting the Weekly Timer>

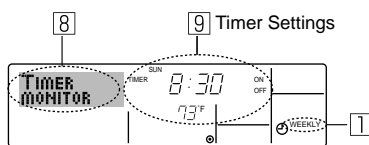
- Press the appropriate Set Time button ① as necessary to set the desired time (at ⑤).
 - * As you hold the button down, the time first increments in minute intervals, then in ten-minute intervals, and then in one-hour intervals.
- Press the ON/OFF button ① to select the desired operation (ON or OFF) at ⑥.
 - * Each press changes the next setting, in the following sequence: No display (no setting) → "ON" → "OFF"
- Press the appropriate Set Temperature button ③ to set the desired temperature (at ⑦).
 - * Each press changes the setting, in the following sequence: No display (no setting) ⇔ 75 ⇔ 77 ⇔ ... ⇔ 84 ⇔ 87 ⇔ 53 ⇔ ... ⇔ 73 ⇔ No display.
 - (Available range: The range for the setting is 12°C, 53°F to 30°C, 87°F. The actual range over which the temperature can be controlled, however, will vary according to the type of the connected unit.)
- After making the appropriate settings at Steps 5, 6 and 7, press the Filter ← button ④ to lock in the values.
 - To clear the currently set values for the selected operation, press and quickly release the Check (Clear) button ⑩ once.
 - * The displayed time setting will change to "—:—", and the On/Off and temperature settings will all disappear.
 - (To clear all weekly timer settings at once, hold down the Check (Clear) button ⑩ for two seconds or more. The display will begin blinking, indicating that all settings have been cleared.)

Note:

Your new entries will be cancelled if you press the Mode (Return) button ② before pressing the Filter ← button ④. If you have set two or more different operations for exactly the same time, only the operation with the highest Operation No. will be carried out.

- Repeat Steps 3 to 8 as necessary to fill as many of the available cells as you wish.
- Press the mode (Return) button ② to return to the standard control screen and complete the setting procedure.
- To activate the timer, press the Timer On/Off button ⑨, so that the "Timer Off" indication disappears from the screen. **Be sure that the "Timer Off" indication is no longer displayed.**
 - * If there are no timer settings, the "Timer Off" indication will blink on the screen.

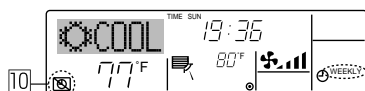
<How to View the Weekly Timer Settings>



- Be sure that the weekly timer indicator is visible on the screen (at ①).
- Press the Timer Menu button ② so that "Monitor" is indicated on the screen (at ⑧).
- Press the Timer On/Off (Set Day) button ⑨ as necessary to select the day you wish to view.
- Press the ∇ or ∆ Operation button (⑦ or ⑧) as necessary to change the timer operation shown on the display (at ⑨).
 - * Each press will advance to the next timer operation, in order of time setting.
- To close the monitor and return to the standard control screen, press the Mode (Return) button ②.

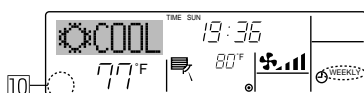
<To Turn Off the Weekly Timer>

Press the Timer On/Off button ⑨ so that "Timer Off" appears at ⑩.



<To Turn On the Weekly Timer>

Press the Timer On/Off button ⑨ so that the "Timer Off" indication (at ⑩) goes dark.



6.1.2. Simple Timer

You can set the simple timer in any of 3 ways.

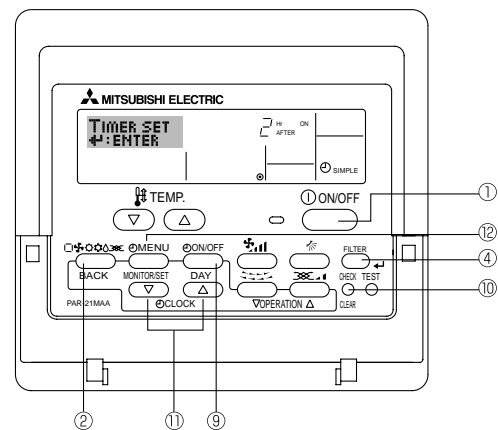
- Start time only: The air conditioner starts when the set time has elapsed.
 - Stop time only: The air conditioner stops when the set time has elapsed.
 - Start & stop times: The air conditioner starts and stops at the respective elapsed times.
- The simple timer (start and stop) can be set only once within a 72-hour period. The time setting is made in hour increments.

Note:

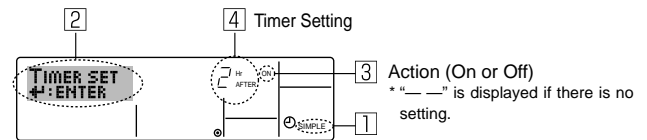
*1. Weekly Timer/Simple Timer/Auto Off Timer cannot be used at the same time.

*2. The simple timer will not operate when any of the following conditions is in effect.

The timer is off; the system is in malfunction state; a test run is in progress; the remote controller is undergoing self-check or remote controller check; the user is in the process of selecting a function; the user is in the process of setting the timer; the system is under central control. (Under these conditions, On/Off operation is prohibited.)



<How to Set the Simple Timer>



- Be sure that you are at a standard control screen, and that the simple timer indicator is visible in the display (at ①). When something other than the Simple Timer is displayed, set it to SIMPLE TIMER using the function selection of remote controller (see 8.[4]-3 (3) timer function setting).
- Press the Timer Menu button ②, so that the "Set Up" appears on the screen (at ②). (Note that each press of the button toggles the display between "Set Up" and "Monitor".)
- Press the ON/OFF button ① to display the current ON or OFF simple timer setting. Press the button once to display the time remaining to ON, and then again to display the time remaining to OFF. (The ON/OFF indication appears at ③).
- "ON" timer: The air conditioner will start operation when the specified number of hours has elapsed.
- "OFF" timer: The air conditioner will stop operation when the specified number of hours has elapsed.
- With "ON" or "OFF" showing at ③: Press the appropriate Set Time button ① as necessary to set the hours to ON (if "ON" is displayed) or the hours to OFF (if "OFF" is displayed) at ④.
- Available Range: 1 to 72 hours
- To set both the ON and OFF times, repeat Steps 3 and 4.
 - * Note that ON and OFF times cannot be set to the same value.
- To clear the current ON or OFF setting: Display the ON or OFF setting (see step 3) and then press the Check (Clear) button ⑩ so that the time setting clears to "—" at ④. (If you want to use only an ON setting or only an OFF setting, be sure that the setting you do not wish to use is shown as "—".)

6. Timer

7. After completing steps 3 to 6 above, press the Filter \leftarrow button ④ to lock in the value.

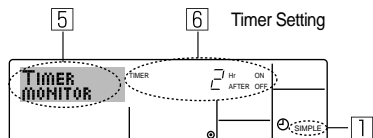
Note:

Your new settings will be cancelled if you press the Mode (Return) button ② before pressing the Filter \leftarrow button ④.

8. Press the Mode (Return) button ② to return to the standard control screen.

9. Press the Timer On/Off button ⑨ to start the timer countdown. When the timer is running, the timer value is visible on the display. **Be sure that the timer value is visible and appropriate.**

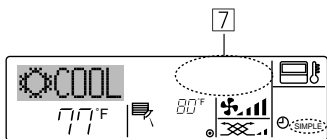
<Viewing the Current Simple Timer Settings>



1. Be sure that the simple timer indicator is visible on the screen (at ⑦).
2. Press the Timer Menu button ②, so that the "Monitor" appears on the screen (at ⑤).
 - If the ON or OFF simple timer is running, the current timer value will appear at ⑥.
 - If ON and OFF values have both been set, the 2 values appear alternately.
3. Press the Mode (Return) button ② to close the monitor display and return to the standard control screen.

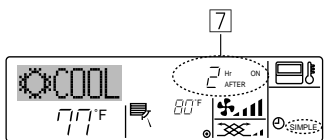
<To Turn Off the Simple Timer...>

Press the Timer On/Off button ⑨ so that the timer setting no longer appears on the screen (at ⑦).



<To Turn On the Simple Timer...>

Press the Timer On/Off button ⑨ so that the timer setting becomes visible at ⑦.



Examples

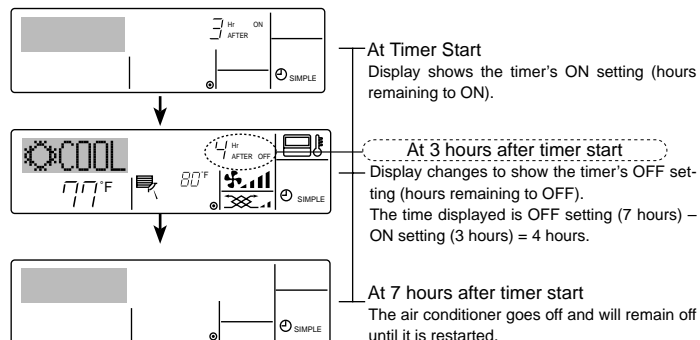
If ON and OFF times have both been set at the simple timer, operation and display are as indicated below.

Example 1:

Start the timer with ON time set earlier than OFF time

ON Setting : 3 hours

OFF Setting : 7 hours

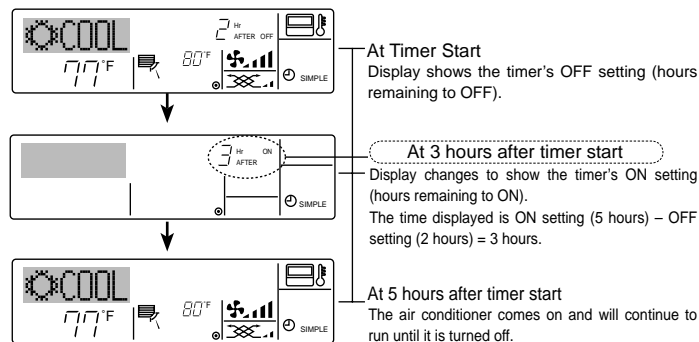


Example 2:

Start the timer with OFF time set earlier than ON time

ON Setting : 5 hours

OFF Setting: 2 hours



6.1.3. Auto Off Timer

■ This timer begins countdown when the air conditioner starts and shuts the air conditioner off when the set time has elapsed.

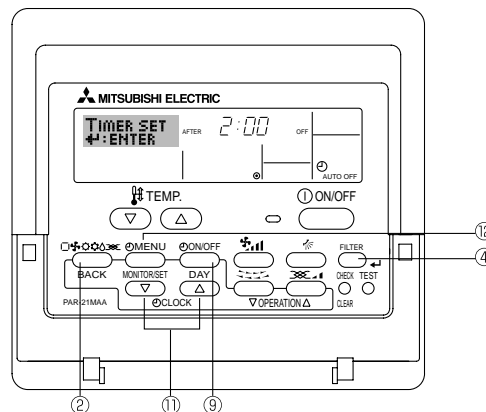
■ Available settings run from 30 minutes to 4 hours in 30-minute intervals.

Note:

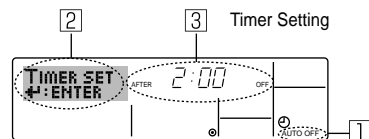
*1. Weekly Timer/Simple Timer/Auto Off Timer cannot be used at the same time.

*2. The Auto Off timer will not operate when any of the following conditions is in effect.

The timer is off; the system is in malfunction state; a test run is in progress; the remote controller is undergoing self-check or remote controller check; the user is in the process of selecting a function; the user is in the process of setting the timer; the system is under central control. (Under these conditions, On/Off operation is prohibited.)



<How to Set the Auto Off Timer>



1. Be sure that you are at a standard control screen, and that the Auto Off timer indicator is visible in the display (at ⑦). When something other than the Auto Off Timer is displayed, set it to AUTO OFF TIMER using the function selection of remote controller (see 8.[4]-3 (3)) timer function setting.
2. Hold down the Timer Menu button ② for 3 seconds so that the "Set Up" appears on the screen (at ②). (Note that each press of the button toggles the display between "Set Up" and "Monitor".)
3. Press the appropriate Set Time button ① as necessary to set the OFF time (at ③).
4. Press the Filter \leftarrow button ④ to lock in the setting.

Note:

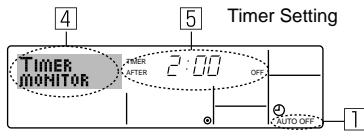
Your entry will be cancelled if you press the Mode (Return) button ② before pressing the Filter \leftarrow button ④.

5. Press the Mode (Return) button ② to complete the setting procedure and return to the standard control screen.

6. If the air conditioner is already running, the timer starts countdown immediately. **Be sure to check that the timer setting appears correctly on the display.**

6. Timer

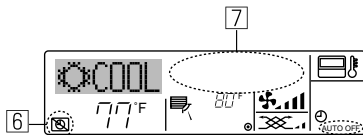
<Checking the Current Auto Off Timer Setting>



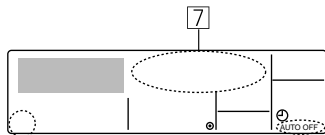
1. Be sure that the "Auto Off" is visible on the screen (at ①).
2. Hold down the Timer Menu button ② for **3 seconds** so that "Monitor" is indicated on the screen (at ④).
 - The timer remaining to shutdown appears at ⑤.
3. To close the monitor and return to the standard control screen, press the Mode (Return) button ②.

<To Turn Off the Auto Off Timer...>

- Hold down the Timer On/Off button ③ for **3 seconds** so that "Timer Off" appears (at ⑥) and the timer value (at ⑦) disappears.



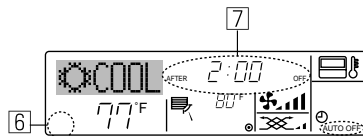
- Alternatively, turn off the air conditioner itself. The timer value (at ⑦) will disappear from the screen.



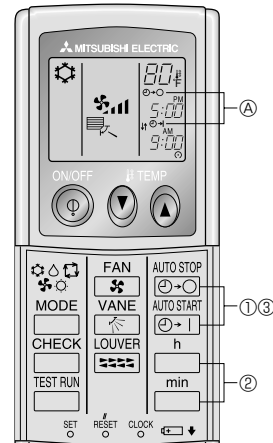
<To Turn On the Auto Off Timer...>

- Hold down the Timer On/Off button ③ for **3 seconds**. The "Timer Off" indication disappears (at ⑥), and the timer setting comes on the display (at ⑦).

- Alternatively, turn on the air conditioner. The timer value will appear at ⑦.



6.2. For Wireless Remote-controller



- ① Press the or button (TIMER SET).

- Time can be set while the following symbol is blinking.
 OFF timer : is blinking.
 ON timer : is blinking.

- ② Use the and buttons to set the desired time.

- ③ Canceling the timer.

To cancel the OFF timer, press the button.

To cancel the ON timer, press the button.

- It is possible to combine both OFF and ON timers.
- Pressing the ① ON/OFF button of the remote controller during timer mode to stop the unit will cancel the timers.
- If the current time has not been set, the timer operation cannot be used.

7. Other Functions

7.1. Locking the Remote Controller Buttons (Operation function limit controller)

- If you wish, you can lock the remote controller buttons. You can use the Function Selection of remote controller to select which type of lock to use. (For information about selecting the lock type, see section 8, item [4]-2 (1)).

Specifically, you can use either of the following two lock types.

- ① Lock All Buttons:

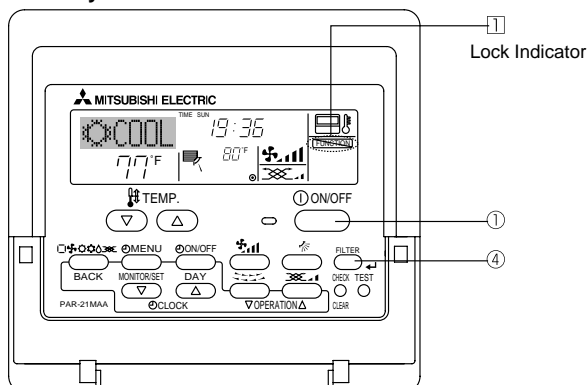
Locks all of the buttons on the remote controller.

- ② Lock All Except ON/OFF:

Locks all buttons other than the ON/OFF button.

Note:

The "Locked" indicator appears on the screen to indicate that buttons are currently locked.



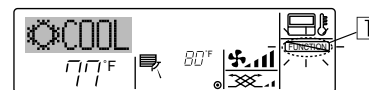
<How to Lock the Buttons>

1. While holding down the Filter button ④, press and hold down the ON/OFF button ① for 2 seconds. The "Locked" indication appears on the screen (at ①), indicating that the lock is now engaged.

- * If locking has been disabled in Function Selection of remote controller, the screen will display the "Not Available" message when you press the buttons as described above.



- If you press a locked button, the "Locked" indication (at ①) will blink on the display.



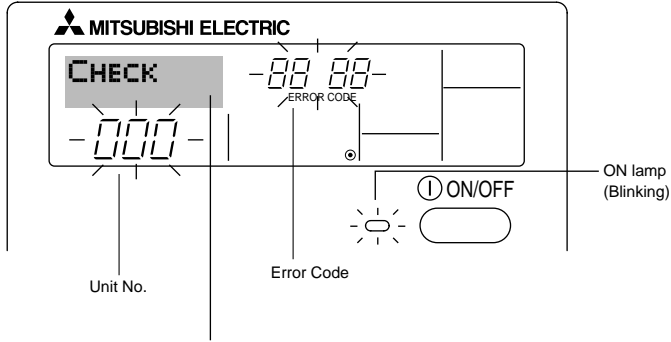
<How to Unlock the Buttons>

1. While holding down the Filter button ④, press and hold down the ON/OFF button ① for 2 seconds—so that the "Locked" indication disappears from the screen (at ①).



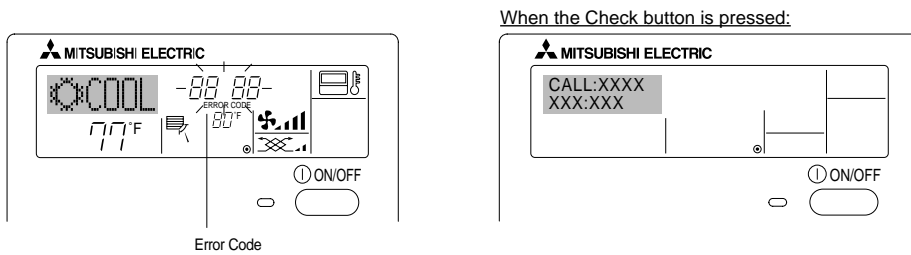
7. Other Functions

7.2. Error Codes indication



If you have entered contact number to be called in the event of a problem, the screen displays this number.
(You can set this up under Function Selection of remote controller. For information, refer to section 8.)

- If the ON lamp and error code are both blinking: This means that the air conditioner is out of order and operation has been stopped (and cannot resume). Take note of the indicated unit number and error code, then switch off the power to the air conditioner and call your dealer or servicer.



- If only the error code is blinking (while the ON lamp remains lit): Operation is continuing, but there may be a problem with the system. In this case, you should note down the error code and then call your dealer or servicer for advice.
- * If you have entered contact number to be called in the event of a problem, push the Check button to display it on the screen. (You can set this up under Function Selection of remote controller. For information, refer to section 8.)

8. Function Selection

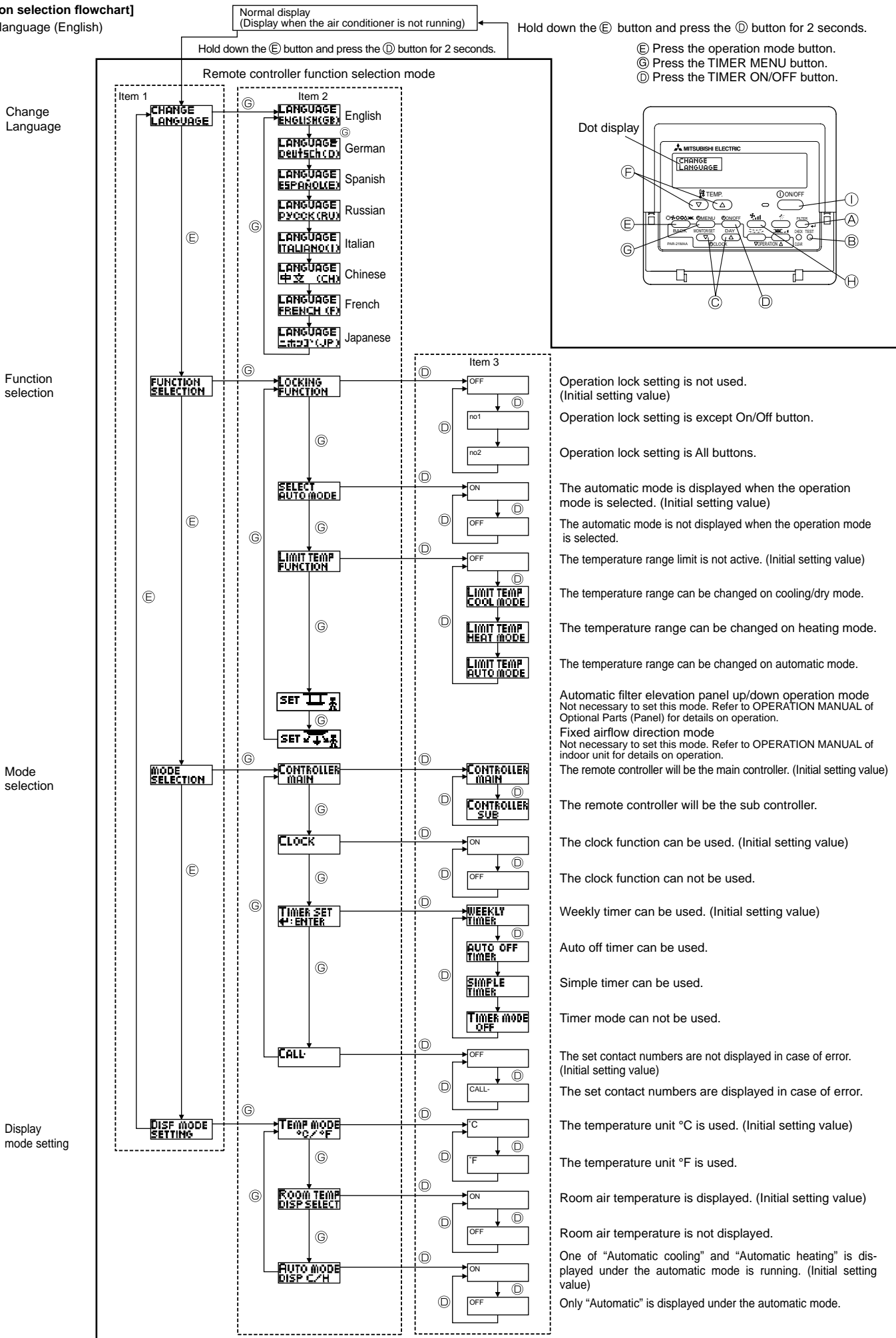
Function selection of remote controller

The setting of the following remote controller functions can be changed using the remote controller function selection mode. Change the setting when needed.

| Item 1 | Item 2 | Item 3 (Setting content) |
|------------------------------------------|----------------------------------------------------------------------------|---------------------------------------------------------------------------------------------------------------------------------------------------------------------------------------------------|
| 1. Change Language ("CHANGE LANGUAGE") | Language setting to display | <ul style="list-style-type: none"> • Display in multiple languages is possible |
| 2. Function limit ("FUNCTION SELECTION") | (1) Operation function limit setting (operation lock) ("LOCKING FUNCTION") | <ul style="list-style-type: none"> • Setting the range of operation limit (operation lock) |
| | (2) Use of automatic mode setting ("SELECT AUTO MODE") | <ul style="list-style-type: none"> • Setting the use or non-use of "automatic" operation mode |
| | (3) Temperature range limit setting ("LIMIT TEMP FUNCTION") | <ul style="list-style-type: none"> • Setting the temperature adjustable range (maximum, minimum) |
| 3. Mode selection ("MODE SELECTION") | (1) Remote controller main/sub setting ("CONTROLLER MAIN/SUB") | <ul style="list-style-type: none"> • Selecting main or sub remote controller * When two remote controllers are connected to one group, one controller must be set to sub. |
| | (2) Use of clock setting ("CLOCK") | <ul style="list-style-type: none"> • Setting the use or non-use of clock function |
| | (3) Timer function setting ("WEEKLY TIMER") | <ul style="list-style-type: none"> • Setting the timer type |
| | (4) Contact number setting for error situation ("CALL.") | <ul style="list-style-type: none"> • Contact number display in case of error • Setting the telephone number |
| 4. Display change ("DISP MODE SETTING") | (1) Temperature display °C/°F setting ("TEMP MODE °C/°F") | <ul style="list-style-type: none"> • Setting the temperature unit (°C or °F) to display |
| | (2) Suction air temperature display setting ("ROOM TEMP DISP SELECT") | <ul style="list-style-type: none"> • Setting the use or non-use of the display of indoor (suction) air temperature |
| | (3) Automatic cooling/heating display setting ("AUTO MODE DISP C/H") | <ul style="list-style-type: none"> • Setting the use or non-use of the display of "Cooling" or "Heating" display during operation with automatic mode |

8. Function Selection

[Function selection flowchart]
Setting language (English)



8. Function Selection

[Detailed setting]

[4]-1. CHANGE LANGUAGE setting

The language that appears on the dot display can be selected.

- Press the [MENU] button ③ to change the language.
 - ① English (GB), ② German (D), ③ Spanish (E), ④ Russian (RU),
 - ⑤ Italian (I), ⑥ Chinese (CH), ⑦ French (F), ⑧ Japanese (JP)

Refer to the dot display table.

[4]-2. Function limit

(1) Operation function limit setting (operation lock)

- To switch the setting, press the [ON/OFF] button ①.
 - ① no1 :Operation lock setting is made on all buttons other than the [ON/OFF] button.
 - ② no2 :Operation lock setting is made on all buttons.
 - ③ OFF (Initial setting value): Operation lock setting is not made.
- * To make the operation lock setting valid on the normal screen, it is necessary to press buttons (Press and hold down the [FILTER] and [ON/OFF] buttons at the same time for two seconds.) on the normal screen after the above setting is made.

(2) Use of automatic mode setting

When the remote controller is connected to the unit that has automatic operation mode, the following settings can be made.

- To switch the setting, press the [ON/OFF] button ①.
 - ① ON (Initial setting value):
The automatic mode is displayed when the operation mode is selected.
 - ② OFF:
The automatic mode is not displayed when the operation mode is selected.

(3) Temperature range limit setting

After this setting is made, the temperature can be changed within the set range.

- To switch the setting, press the [ON/OFF] button ①.
 - ① LIMIT TEMP COOL MODE:
The temperature range can be changed on cooling/dry mode.
 - ② LIMIT TEMP HEAT MODE:
The temperature range can be changed on heating mode.
 - ③ LIMIT TEMP AUTO MODE:
The temperature range can be changed on automatic mode.
 - ④ OFF (initial setting): The temperature range limit is not active.
- * When the setting, other than OFF, is made, the temperature range limit setting on cooling, heating and automatic mode is made at the same time. However, the range cannot be limited when the set temperature range has not changed.
- To increase or decrease the temperature, press the [TEMP. (▽) or (△)] button ②.
- To switch the upper limit setting and the lower limit setting, press the [TEMP. (▽) or (△)] button ③. The selected setting will blink and the temperature can be set.
- Settable range
Cooling/Dry mode:
Lower limit: 19°C~30°C, 67°F~87°F
Upper limit: 30°C~19°C, 87°F~67°F

Heating mode:

Lower limit: 17°C~28°C, 63°F~83°F
Upper limit: 28°C~17°C, 83°F~63°F

Automatic mode:

Lower limit: 19°C~28°C, 67°F~83°F
Upper limit: 28°C~19°C, 83°F~67°F

[4]-3. Mode selection setting

(1) Remote controller main/sub setting

- To switch the setting, press the [ON/OFF] button ①.
 - ① Main: The controller will be the main controller.
 - ② Sub: The controller will be the sub controller.

(2) Use of clock setting

- To switch the setting, press the [ON/OFF] button ①.
 - ① ON: The clock function can be used.
 - ② OFF: The clock function cannot be used.

(3) Timer function setting

- To switch the setting, press the [ON/OFF] button ① (Choose one of the following.).
 - ① WEEKLY TIMER (initial setting value):
The weekly timer can be used.
 - ② AUTO OFF TIMER:
The auto off timer can be used.
 - ③ SIMPLE TIMER:
The simple timer can be used.
 - ④ TIMER MODE OFF:
The timer mode cannot be used.
- * When the use of clock setting is OFF, the "WEEKLY TIMER" cannot be used.

(4) Contact number setting for error situation

- To switch the setting, press the [ON/OFF] button ①.
 - ① CALL OFF:
The set contact numbers are not displayed in case of error.
 - ② CALL **** *
The set contact numbers are displayed in case of error.
CALL :
The contact number can be set when the display is as shown above.
- Setting the contact numbers
To set the contact numbers, follow the following procedures.
Move the blinking cursor to set numbers. Press the [TEMP. (▽) and (△)] button ② to move the cursor to the right (left). Press the [CLOCK (▽) and (△)] button ③ to set the numbers.

[4]-4. Display change setting

(1) Temperature display °C/°F setting

- To switch the setting, press the [ON/OFF] button ①.
 - ① °C: The temperature unit °C is used.
 - ② °F: The temperature unit °F is used.

(2) Room air temperature display setting

- To switch the setting, press the [ON/OFF] button ①.
 - ① ON : The room air temperature is displayed.
 - ② OFF: The room air temperature is not displayed.

(3) Automatic cooling/heating display setting

- To switch the setting, press the [ON/OFF] button ①.
 - ① ON:
One of "Automatic cooling" and "Automatic heating" is displayed under the automatic mode is running.
 - ② OFF:
Only "Automatic" is displayed under the automatic mode.

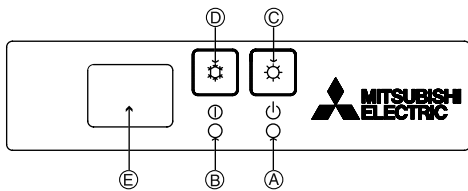
8. Function Selection

[Dot display table]

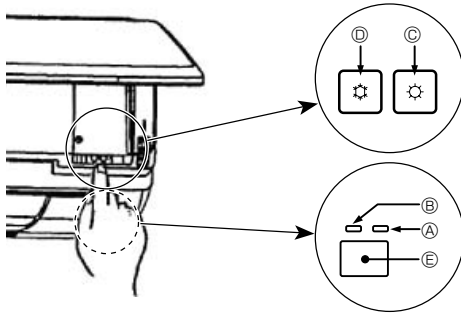
| Selecting language | English | German | Spanish | Russian | Italian | Chinese | French | Japanese | |
|-------------------------|------------------------|-----------------------|----------------------|----------------------|---------------------------|--------------|------------------------|---------------|-----|
| Waiting for start-up | PLEASE WAIT | ← | ← | ← | ← | ← | ← | ← | |
| Operation mode | Cool | COOL | Kühlen | FRÍO | Холод | COOL | 制冷 | FROID | 冷房 |
| | Dry | DRY | Trocknen | DESHUMIDIFICACIÓN | Сушка | DRY | 除湿 | DESHU | ドライ |
| | Heat | HEAT | Heizen | CALOR | Тепло | HEAT | 制热 | CHAUD | 暖房 |
| | Auto | AUTO | AUTO | AUTO MÁTICO | Автомат | AUTO | 自动 | AUTO | 自動 |
| | Auto(Cool) | COOL | Kühlen | FRÍO | Холод | COOL | 制冷 | FROID | 冷房 |
| | Auto(Heat) | HEAT | Heizen | CALOR | Тепло | HEAT | 制热 | CHAUD | 暖房 |
| | Fan | FAN | Lüfter | VENTILACIÓN | Вент | VENTILAZIONE | 送风 | VENTILATION | 送風 |
| | Ventilation | VENTILATION | Gebälsebetrieb | VENTILACIÓN | Вентиляция | ARIA ESTERNA | 换气 | VENTILATION | 換気 |
| | Stand by (Hot adjust) | STAND BY | STAND BY | CALENTANDO | ОБОГРЕВ ПАУЗА | STAND BY | 准备中 | PRE CHAUFFAGE | 準備中 |
| Defrost | DEFROST | Abtauen | DESCONGELACIÓN | ОТТАВЛИВАНИЕ | SPRINAMENTO | 除霜中 | DEGIVRAGE | 霜取中 | |
| Set temperature | SET TEMP | TEMP einstellen | TEMP. CONSIGNA | ЦЕЛЕВАЯ ТЕМПЕРАТУРА | IMPOSTAZIONE TEMPERTURA | 设定温度 | REGLAGE TEMPERATURE | 設定温度 | |
| Fan speed | FAN SPEED | Lüftergeschwindigkeit | VELOCIDAD VENTILADOR | СКОРОСТЬ ВЕНТИЛЯТОРА | VELOCITÀ VENTILATORE | 风速 | VITESSE DE VENTILATION | 風速 | |
| Not use button | NOT AVAILABLE | nicht verfügbar | NO DISPONIBLE | НЕ ДОСТУПНО | NON DISPONIBILE | 无效按钮 | NON DISPONIBILE | 無効ボタン | |
| Check (Error) | CHECK | Prüfen | COMPROBAR | ПРОВЕРКА | CHECK | 检查 | CONTROLE | 点検 | |
| Test run | TEST RUN | Testbetrieb | TEST FUNCIONAMIENTO | ТЕСТОВЫЙ ЗАПУСК | TEST RUN | 试运行 | TEST | 試運転 | |
| Self check | SELF CHECK | Selbst-diagnose | AUTO REVISIÓN | САМОДИАГНОСТИКА | SELF CHECK | 自我诊断 | AUTO CONTROLE | 自己診断 | |
| Unit function selection | FUNCTION SELECTION | Funktion auswählen | SELECCIÓN DE FUNCIÓN | ВЫБОР ФУНКЦИИ | SELEZIONE FUNZIONI | 功能选择 | SELECTION FONCTIONS | メニュー選択 | |
| Setting of ventilation | SETTING OF VENTILATION | Lüfterstufen wählen | CONFIG. VENTILACIÓN | НАСТРОЙКА ВЕНТИЛЯЦИИ | IMPOSTAZIONE ARIA ESTERNA | 换气设定 | SELECTION VENTILATION | 換気設定 | |

| Selecting language | English | German | Spanish | Russian | Italian | Chinese | French | Japanese |
|-------------------------------------------|-----------------------|----------------------------|-------------------------|--------------------------|---------------------------|-------------|--------------------------|-----------------|
| CHANGE LANGUAGE | CHANGE LANGUAGE | ← | ← | ← | ← | ← | ← | ← |
| Function selection | FUNCTION SELECTION | Funktion auswählen | SELECCIÓN DE FUNCIONES | ВЫБОР ФУНКЦИИ | SELEZIONE FUNZIONI | 功能限制 | SELECTION FONCTIONS | メニュー制限 |
| Operation function limit setting | LOCKING FUNCTION | Sperrfunktion | FUNCION BLOQUEADA | ФУНКЦИЯ БЛОКИРОВКИ | BLOCCO FUNZIONI | 操作限制 | BLOCAGE FONCTIONS | 操作ロック |
| Use of automatic mode setting | SELECT AUTO MODE | Auswahl auto Betrieb | SELECCIÓN MODO AUTO | ВЫБОР РЕЖИМА АВТО | SELEZIONE MODO AUTO | 自动模式 | SELECTION DU MODO AUTO | 自動モード |
| Temperature range limit setting | LIMIT TEMP FUNCTION | Limit Temp Funktion | LIMIT TEMP CONSIGNA | ОГРАНИЧЕНИЕ УСТ.ТЕМПЕРАТ | LIMITAZIONE TEMPERATURA | 温度限制 | LIMITATION TEMPERATURE | 温度制限 |
| Limit temperature cooling/day mode | LIMIT TEMP COOL MODE | Limit Kühl Temp | LIMIT TEMP MODO FRÍO | ОГРАНИЧЕНО Охлаждение | LIMITAZIONE MODO COOL | 制冷范围 | LIMITE TEMP MODO FROID | 制冷冷房 |
| Limit temperature heating mode | LIMIT TEMP HEAT MODE | Limit Heiz Temp | LIMIT TEMP MODO CALOR | ОГРАНИЧЕН ОБОГРЕВ | LIMITAZIONE MODO HEAT | 制热范围 | LIMITE TEMP MODO CHAUD | 制热暖房 |
| Limit temperature auto mode | LIMIT TEMP AUTO MODE | Limit Auto Temp | LIMIT TEMP MODO AUTO | ОГРАНИЧЕН РЕЖИМ АВТО | LIMITAZIONE MODO AUTO | 自动范围 | LIMITE TEMP MODO AUTO | 制自动 |
| Mode selection | MODE SELECTION | Betriebsart wählen | SELECCIÓN DE MODO | ВЫБОР РЕЖИМА | SELEZIONE MODO | 基本模式 | SELECTION DU MODO | 基本メニュー |
| Remote controller setting MAIN | CONTROLLER MAIN | Haupt Controller | CONTROL PRINCIPAL | ОСНОВНОЙ ПУЛЬТ | CONTROLLO MAIN | 遥控主 | TELCOMMANDE MAITRE | リモコン 主側 |
| Remote controller setting SUB | CONTROLLER SUB | Neben Controller | CONTROL SECUNDARIO | Дополнительный пульт | CONTROLLO SUB | 遥控辅 | TELCOMMANDE ESCLAVE | リモコン 主側 |
| Use of clock setting | CLOCK | Uhr | RELOJ | Часы | OROLOGIO | 时钟 | AFFICHAGE HORLOGE | 時計 設定 |
| Setting the day of the week and time | TIME SET +:ENTER | Uhr stellen +:einstellen | CONFIG RELOJ +:CONFIG | Часы:УСТ. +:ВВОД | OROLOGIO +:ENTER | 时间 +:ENTER | HORLOGE +:ENTRER | トイイセツテイ +:カクテイ |
| Timer set | TIMER SET +:ENTER | Zeitschaltuhr +:einstellen | TEMPORIZA -DOR +:CONFIG | ТАЙМЕР:УСТ. +:ВВОД | TIMER +:ENTER | 定时器 +:ENTER | PROG HORAIRES +:ENTRER | タイマーセツテイ +:カクテイ |
| Timer monitor | TIMER MONITOR | Uhrzeit Anzeige | VISUALIZAR TEMPORIZAD. | ПРОСМОТР ТАЙМЕРА | VISUALIZ TIMER | 定时器状态 | AFFICHAGE PROG HORAIRES | タイマーモニター |
| Weekly timer | WEEKLY TIMER | Wochenzeit schalt Uhr | TEMPORIZA -DOR SEMANAL | НЕДЕЛЬНЫЙ ТАЙМЕР | TIMER SETTIMANALE | 每周定时器 | PROG HERBDO MADAIRES | タイマー 週間 |
| Timer mode off | TIMER MODE OFF | Zeitschaltuhr AUS | TEMPORIZA -DOR APAGADO | ТАЙМЕР ВЫКЛ. | TIMER OFF | 定时器无效 | PROG HORAIRES INACTIF | タイマー 無効 |
| Auto off timer | AUTO OFF TIMER | Auto Zeit funktion AUS | APAGADO AUTOMÁTICO | АВТООТКЛЮЧ. ПО ТАЙМЕРУ | AUTO OFF TIMER | 解除定时 | PROG HORAIRES ARRET AUTO | タイマー-クワッセル ホウウ |
| Simple timer | SIMPLE TIMER | Einfache Zeitfunktion | TEMPORIZA -DOR SIMPLE | ПРОСТОЙ ТАЙМЕР | TIMER SEMPLIFICATO | 简易定时器 | PROG HORAIRES SIMPLIFIE | タイマー-カンイ |
| Contact number setting of error situation | CALL | ← | ← | ← | ← | ← | ← | ← |
| Display change | DISP MODE SETTING | Anzeige Betriebsart | MOSTRAR MODO | НАСТРОЙКА ИЛИ РЕЖИМА | IMPOSTAZIONE MODO DISPLAY | 转换表示 | AFFICHAGE SOUS MENU | 表示切替 |
| Temperature display °C/°F setting | TEMP MODE °C/°F | Wechsel °C/°F | TEMPERADOS °C/°F | ЕДИН.ТЕМПЕР. °C/°F | TEMPERATURA °C/°F | 温度 °C/°F | TEMPERATURE °C/°F | 温度 °C/°F |
| Room air temperature display setting | ROOM TEMP DISP SELECT | Raum Temp gewählt | MOSTRAR TEMP. | ПОКАЗЫВАТЬ ТЕМП.В КОМ. | TEMPERATURA AMBIENTE | 吸入温度 | TEMPERATURE AMBIANTE | スイコキオンド 設定 |
| Automatic cooling/heating display setting | AUTO MODE DISP C/H | Auto Betrieb C/H | MOSTRAR F/C EN AUTO | ИЛИ Т/Х В РЕЖИМЕ АВТО | AUTO C/H | 自动表示 | AFFICHAGE AUTO F/C | 自動表示 |

9. Emergency Operation for Wireless Remote-controller



(For PKFY-P-NHMU-E)



When the remote-controller cannot be used

When the batteries of the remote controller run out or the remote controller malfunctions, the emergency operation can be done using the emergency buttons.

- Ⓐ DEFROST/STAND BY lamp
- Ⓑ Operation lamp
- Ⓒ Emergency operation switch (heating)
- Ⓓ Emergency operation switch (cooling)
- Ⓔ Receiver

Starting operation

- To operate the cooling mode, press the Ⓓ button for more than 2 seconds.
- To operate the heating mode, press the Ⓒ button for more than 2 seconds.

Note:

- Details of emergency mode are as shown below.

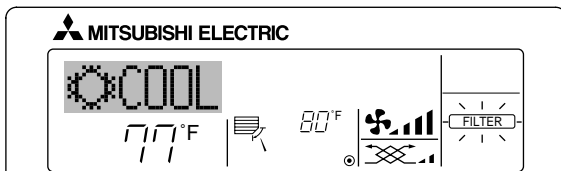
Details of EMERGENCY MODE are as shown below.

| Operation mode | COOL | HEAT |
|-------------------|------------|----------------|
| Set temperature | 24°C, 75°F | 24°C, 75°F |
| Fan speed | High | High |
| Airflow direction | Horizontal | Downward 4 (5) |

Stopping operation

- To stop operation, press the Ⓓ button or the Ⓒ button for more than 2 seconds.

10. Care and Cleaning



- Indicates that the filter needs cleaning.

Ask authorized people to clean the filter.

- When resetting "FILTER" display

When the [FILTER] button is pressed two times successively after cleaning the filter, the display goes off and is reset.

Note:

- When 2 or more different types of indoor unit are controlled, the cleaning period differs with the type of filter. When the master unit cleaning period arrives, "FILTER" is displayed. When the filter display goes off, the cumulative time is reset.
- "FILTER" indicates the cleaning period when the air conditioner was used under general indoor air conditions by criteria time. Since the degree of dirtiness depends on the environmental conditions, clean the filter accordingly.
- The filter cleaning period cumulative time differs with the model.
- This indication is not available for wireless remote controller.

▶ Cleaning the filters

- Clean the filters using a vacuum cleaner. If you do not have a vacuum cleaner, tap the filters against a solid object to knock off dirt and dust.
- If the filters are especially dirty, wash them in lukewarm water. Take care to rinse off any detergent thoroughly and allow the filters to dry completely before putting them back into the unit.

⚠ Caution:

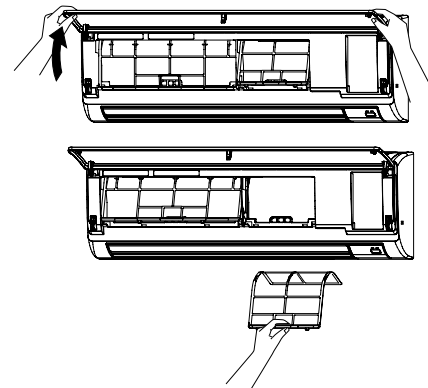
- Do not dry the filters in direct sunlight or by using a heat source, such as an electric heater: this may warp them.
- Do not wash the filters in hot water (above 50°C, 122°F), as this may warp them.
- Make sure that the air filters are always installed. Operating the unit without air filters can cause malfunction.
- Before you start cleaning, stop operation and turn OFF the power supply.
- Indoor units are equipped with filters to remove the dust of sucked-in air. Clean the filters using the methods shown in the following sketches.

▶ Filter removal

⚠ Caution:

- In removing the filter, precautions must be taken to protect your eyes from dust. Also, if you have to climb up on a stool to do the job, be careful not to fall.
- When the filter is removed, do not touch the metallic parts inside the indoor unit, otherwise injury may result.

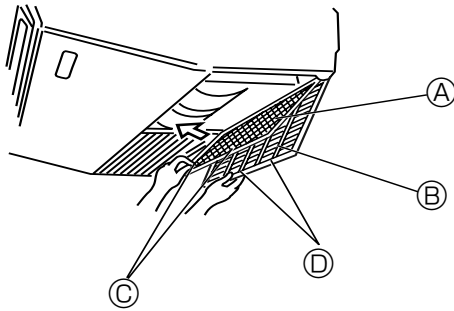
- PKFY-P-NBMU-E
- PKFY-P-NHMU-E



- ① Pull both the bottom corners of the intake grille to open the grille, then lift the filter.

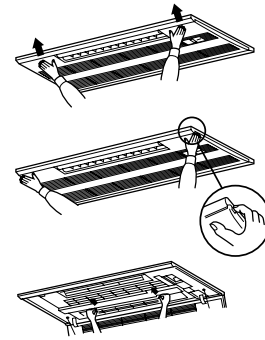
10. Care and Cleaning

■ PCFY-P-NKMU-E



- ① Open the intake grille.
 - ② Hold the knob on the filter then pull the filter up in the direction of an arrow. To replace the filter after cleaning, be sure to insert the filter far enough until it fits into the stopper.
- A Filter B Intake Grille C Knob D Stopper

■ PMFY-P-NBMU-E



- ① Pressing the PUSH button on the outer side of the intake grille causes the intake grille to open.
- ② A filter with an intake grille on it can be removed by pulling the filter forward.

11. Trouble Shooting

| Having trouble? | Here is the solution. (Unit is operating normally.) |
|-----------------------------------------------------------------------------------------------------------------------------------------|---------------------------------------------------------------------------------------------------------------------------------------------------------------------------------------------------------------------------------------------------------------------------------------------------------------------------------------------------------------------------------------------------------------------------------------------------|
| Air conditioner does not heat or cool well. | <ul style="list-style-type: none"> ■ Clean the filter. (Airflow is reduced when the filter is dirty or clogged.) ■ Check the temperature adjustment and adjust the set temperature. ■ Make sure that there is plenty of space around the outdoor unit. Is the indoor unit air intake or outlet blocked? ■ Has a door or window been left open? |
| When heating operation starts, warm air does not blow from the indoor unit soon. | <ul style="list-style-type: none"> ■ Warm air does not blow until the indoor unit has sufficiently warmed up. |
| During heating mode, the air conditioner stops before the set room temperature is reached. | <ul style="list-style-type: none"> ■ When the outdoor temperature is low and the humidity is high, frost may form on the outdoor unit. If this occurs, the outdoor unit performs a defrosting operation. Normal operation should begin after approximately 10 minutes. |
| Airflow direction changes during operation or airflow direction cannot be set. | <ul style="list-style-type: none"> ■ During cooling mode, the vanes automatically move to the horizontal (down) position after 1 hour when the down (horizontal) airflow direction is selected. This is to prevent water from forming and dripping from the vanes. ■ During heating mode, the vanes automatically move to the horizontal airflow direction when the airflow temperature is low or during defrosting mode. |
| When the airflow direction is changed, the vanes always move up and down past the set position before finally stopping at the position. | <ul style="list-style-type: none"> ■ When the airflow direction is changed, the vanes move to the set position after detecting the base position. |
| A flowing water sound or occasional hissing sound is heard. | <ul style="list-style-type: none"> ■ These sounds can be heard when refrigerant is flowing in the air conditioner or when the refrigerant flow is changing. |
| A cracking or creaking sound is heard. | <ul style="list-style-type: none"> ■ These sounds can be heard when parts rub against each other due to expansion and contraction from temperature changes. |
| The room has an unpleasant odor. | <ul style="list-style-type: none"> ■ The indoor unit draws in air that contains gases produced from the walls, carpeting, and furniture as well as odors trapped in clothing, and then blows this air back into the room. |
| A white mist or vapor is emitted from the indoor unit. | <ul style="list-style-type: none"> ■ If the indoor temperature and the humidity are high, this condition may occur when operation starts. ■ During defrosting mode, cool airflow may blow down and appear like a mist. |

11. Trouble Shooting

| Having trouble? | Here is the solution. (Unit is operating normally.) | | | | | | | | | | | | |
|------------------------------------------------------------------------------------------------------------------------------------------------------------------------|-----------------------------------------------------------------------------------------------------------------------------------------------------------------------------------------------------------------------------------------------------------------------------------------------------------------------------------------------------------------------------------------------------------------------------------------------------------------------------------------------------------------------------------------------------------------------------------------------------------------------------------------------------------------------------------------------------------------------------------------------------------|-----------------------------------|----------------------------|--------------|---------------------------|-------------------|---------------------------------------|-----------------------------------|--------------------|--------------|-----------|------------|------------|
| Water or vapor is emitted from the outdoor unit. | <ul style="list-style-type: none"> ■ During cooling mode, water may form and drip from the cool pipes and joints. ■ During heating mode, water may form and drip from the heat exchanger. ■ During defrosting mode, water on the heat exchanger evaporates and water vapor may be emitted. | | | | | | | | | | | | |
| The operation indicator does not appear in the remote controller display. | <ul style="list-style-type: none"> ■ Turn on the power switch. "●" will appear in the remote controller display. | | | | | | | | | | | | |
| The air conditioner does not operate even though the ON/OFF button is pressed. The operation mode display on the remote controller disappears. | <ul style="list-style-type: none"> ■ Is the power switch of the indoor unit turned off? Turn on the power switch. | | | | | | | | | | | | |
| "☒" appears in the remote controller display. | <ul style="list-style-type: none"> ■ During central control, "☒" appears in the remote controller display and air conditioner operation cannot be started or stopped using the remote controller. | | | | | | | | | | | | |
| When restarting the air conditioner soon after stopping it, it does not operate even though the ON/OFF button is pressed. | <ul style="list-style-type: none"> ■ Wait approximately three minutes. (Operation has stopped to protect the air conditioner.) | | | | | | | | | | | | |
| Air conditioner operates without the ON/OFF button being pressed. | <ul style="list-style-type: none"> ■ Is the on timer set? Press the ON/OFF button to stop operation. ■ Is the air conditioner connected to a central remote controller? Consult the concerned people who control the air conditioner. ■ Does "☒" appear in the remote controller display? Consult the concerned people who control the air conditioner. ■ Has the auto recovery feature from power failures been set? Press the ON/OFF button to stop operation. | | | | | | | | | | | | |
| Air conditioner stops without the ON/OFF button being pressed. | <ul style="list-style-type: none"> ■ Is the off timer set? Press the ON/OFF button to restart operation. ■ Is the air conditioner connected to a central remote controller? Consult the concerned people who control the air conditioner. ■ Does "☒" appear in the remote controller display? Consult the concerned people who control the air conditioner. | | | | | | | | | | | | |
| Remote controller timer operation cannot be set. | <ul style="list-style-type: none"> ■ Are timer settings invalid? If the timer can be set, (WEEK LY), (SIMPLE) or (AU TO OFF) appears in the remote controller display. | | | | | | | | | | | | |
| "PLEASE WAIT" appears in the remote controller display. | <ul style="list-style-type: none"> ■ The initial settings are being performed. Wait approximately 3 minutes. | | | | | | | | | | | | |
| An error code appears in the remote controller display. | <ul style="list-style-type: none"> ■ The protection devices have operated to protect the air conditioner. ■ Do not attempt to repair this equipment by yourself. Turn off the power switch immediately and consult your dealer. Be sure to provide the dealer with the model name and information that appeared in the remote controller display. | | | | | | | | | | | | |
| Draining water or motor rotation sound is heard. | <ul style="list-style-type: none"> ■ When cooling operation stops, the drain pump operates and then stops. Wait approximately 3 minutes. | | | | | | | | | | | | |
| Noise is louder than specifications. | <ul style="list-style-type: none"> ■ The indoor operation sound level is affected by the acoustics of the particular room as shown in the following table and will be higher than the noise specification, which was measured in an echo-free room. <table border="1" style="margin-left: auto; margin-right: auto;"> <thead> <tr> <th></th> <th>High sound-absorbing rooms</th> <th>Normal rooms</th> <th>Low sound-absorbing rooms</th> </tr> </thead> <tbody> <tr> <td>Location examples</td> <td>Broadcasting studio, music room, etc.</td> <td>Reception room, hotel lobby, etc.</td> <td>Office, hotel room</td> </tr> <tr> <td>Noise levels</td> <td>3 to 7 dB</td> <td>6 to 10 dB</td> <td>9 to 13 dB</td> </tr> </tbody> </table> | | High sound-absorbing rooms | Normal rooms | Low sound-absorbing rooms | Location examples | Broadcasting studio, music room, etc. | Reception room, hotel lobby, etc. | Office, hotel room | Noise levels | 3 to 7 dB | 6 to 10 dB | 9 to 13 dB |
| | High sound-absorbing rooms | Normal rooms | Low sound-absorbing rooms | | | | | | | | | | |
| Location examples | Broadcasting studio, music room, etc. | Reception room, hotel lobby, etc. | Office, hotel room | | | | | | | | | | |
| Noise levels | 3 to 7 dB | 6 to 10 dB | 9 to 13 dB | | | | | | | | | | |
| Nothing appears in the wireless remote controller display, the display is faint, or signals are not received by the indoor unit unless the remote controller is close. | <ul style="list-style-type: none"> ■ The batteries are low. Replace the batteries and press the Reset button. ■ If nothing appears even after the batteries are replaced, make sure that the batteries are installed in the correct directions (+, -). | | | | | | | | | | | | |
| The operation lamp near the receiver for the wireless remote controller on the indoor unit is blinking. | <ul style="list-style-type: none"> ■ The self diagnosis function has operated to protect the air conditioner. ■ Do not attempt to repair this equipment by yourself. Turn off the power switch immediately and consult your dealer. Be sure to provide the dealer with the model name. | | | | | | | | | | | | |
| Warm air blows from the indoor unit intermittently when heating mode is off or during fan mode. | <ul style="list-style-type: none"> ■ When another indoor unit is operating in heating mode, the control valve opens and closes occasionally to maintain stability in the air conditioning system. This operation will stop after a while. * If this will cause an undesirable rise in the room temperature in small rooms, etc., stop the operation of the indoor unit temporarily. | | | | | | | | | | | | |

12. Specifications

■ PKFY Series

| Model | | PKFY-P06NBMU-E | PKFY-P08NBMU-E | PKFY-P12NHMU-E | PKFY-P15NHMU-E | PKFY-P18NHMU-E |
|---------------------------------------------------|-----------------|----------------------|----------------|----------------|----------------|----------------|
| Power source | | Single 208/230V 60Hz | | | | |
| Capacity | Cooling <BTU/h> | 6,000 | 8,000 | 12,000 | 15,000 | 18,000 |
| | Heating <BTU/h> | 6,700 | 9,000 | 13,500 | 17,000 | 20,000 |
| Dimension | H <inch> | 11-5/8 | | | | |
| | W <inch> | 32-1/8 | | 35-3/8 | | |
| | D <inch> | 8-7/8 | | 9-13/16 | | |
| Net weight <lbs> | | 22 | | | 29 | |
| Fan Airflow rate (Low-Middle2-Middle1-High) | DRY <CFM> | 170-180-200-210 | | 320-355-390 | 320-370-405 | 320-370-425 |
| | WET <CFM> | 160-170-180-190 | | 290-320-350 | 290-335-365 | 290-335-380 |
| Noise level (Low-Middle2-Middle1-High) <dB(A)> | | 32-33-35-36 | | 34-38-42 | 34-38-42 | 36-41-45 |

■ PCFY Series

| Model | | PCFY-P15NKMU-E | PCFY-P24NKMU-E | PCFY-P30NKMU-E | PCFY-P36NKMU-E |
|---------------------------------------------------|-----------------|----------------------|-----------------|-----------------|------------------|
| Power source | | Single 208/230V 60Hz | | | |
| Capacity | Cooling <BTU/h> | 15,000 | 24,000 | 30,000 | 36,000 |
| | Heating <BTU/h> | 17,000 | 27,000 | 34,000 | 40,000 |
| Dimension | H <inch> | 9-1/16 | | | |
| | W <inch> | 37-13/16 | 50-3/8 | 63 | |
| | D <inch> | 26-3/4 | | | |
| Net weight <lbs> | | 53 | 71 | 79 | 84 |
| Fan Airflow rate (Low-Middle2-Middle1-High) | DRY <CFM> | 350-390-420-460 | 490-530-570-640 | 710-780-880-990 | 740-850-950-1090 |
| | WET <CFM> | 330-370-400-440 | 470-500-540-610 | 670-740-840-940 | 700-810-900-1040 |
| Noise level (Low-Middle2-Middle1-High) <dB(A)> | | 29-32-34-36 | 31-33-35-37 | 34-37-40-43 | 36-39-42-44 |

■ PMFY Series

| Model | | PMFY-P06NBMU-E | PMFY-P08NBMU-E | PMFY-P12NBMU-E | PMFY-P15NBMU-E |
|---------------------------------------------------|-----------------|----------------------|-----------------|----------------|-----------------|
| Power source | | Single 208/230V 60Hz | | | |
| Capacity | Cooling <BTU/h> | 6,000 | 8,000 | 12,000 | 15,000 |
| | Heating <BTU/h> | 6,700 | 9,000 | 13,500 | 17,000 |
| Dimension (Grille) | H <inch> | 9-1/16 (1-3/16) | | | |
| | W <inch> | 33-5/8 (39-3/8) | | | |
| | D <inch> | 1/-9/16 (18-1/2) | | | |
| Net weight (Grille) <lbs> | | 31 (7) | | | |
| Fan Airflow rate (Low-Middle2-Middle1-High) | DRY <CFM> | 230-250-280-300 | 250-280-300-320 | | 270-300-340-370 |
| | WET <CFM> | 200-220-250-270 | 220-250-270-290 | | 240-270-310-340 |
| Noise level (Low-Middle2-Middle1-High) <dB(A)> | | 27-30-33-35 | 32-34-36-37 | | 33-35-37-39 |

1. Cooling/Heating capacity indicates the maximum value at operation under the following condition.

Coolong : Indoor 27°C DB, 81°F DB/19°C WB, 66°F WB, Outdoor 35°C DB, 95°F DB

Heating : Indoor 20°C DB, 68°F DB, Outdoor 7°C DB, 45°F DB/ 6°C WB, 43°F WB

Range of application

The range of working temperatures for both the indoor and outdoor units of the series Y is as below.

⚠Caution:

The use of your air conditioner outside the range of working temperature and humidity can result in serious failure.

| Mode | Indoor unit | Outdoor unit |
|---------|--------------------------------|----------------------------------|
| | | PUHY |
| Cooling | 15°C - 24°C WB, 59°F - 75°F WB | -5°C - 43°C DB, 23°F - 110°F DB |
| Heating | 15°C - 27°C DB, 59°F - 81°F DB | -15°C - 15.5°C WB, 5°F - 60°F WB |

Note: As an applicable humidity standard for both indoors and outdoors, we recommend use within a range of 30 - 80% relative humidity.

⚠Warning:

If the air conditioner operates but does not cool or heat (depending on model) the room, consult your dealer since there may be a refrigerant leak. Be sure to ask the service representative whether there is refrigerant leakage or not when repairs are carried out.

The refrigerant charged in the air conditioner is safe. Refrigerant normally does not leak, however, if refrigerant gas leaks indoors, and comes into contact with the fire of a fan heater, space heater, stove, etc., harmful substances will be generated.

Index

| | | | |
|-------------------------------------------------|----|--------------------------------------------------------------|----|
| 1. Consignes de sécurité..... | 20 | 7. Autres fonctions..... | 29 |
| 2. Nomenclature..... | 20 | 8. Sélection des fonctions..... | 30 |
| 3. Configuration d'écran..... | 24 | 9. Fonctionnement d'urgence de la télécommande sans fil..... | 34 |
| 4. Régler le jour de la semaine et l'heure..... | 24 | 10. Entretien et nettoyage..... | 34 |
| 5. Fonctionnement..... | 24 | 11. Guide de dépannage..... | 35 |
| 6. Minuterie..... | 26 | 12. Spécifications techniques..... | 37 |

1. Consignes de sécurité

- ▶ Avant d'installer le climatiseur, lire attentivement toutes les "Consignes de sécurité".
- ▶ Le "Consignes de sécurité" reprennent des points très importants concernant la sécurité. Veuillez bien à les suivre.
- ▶ Veuillez consulter ou obtenir la permission votre compagnie d'électricité avant de connecter votre système.

Symboles utilisés dans le texte

⚠ Avertissement:

Précautions à suivre pour éviter tout danger de blessure ou de décès de l'utilisateur.

⚠ Précaution:

Décrit les précautions qui doivent être prises pour éviter d'endommager l'appareil.

Symboles utilisés dans les illustrations

⬇ : Indique un élément qui doit être mis à la terre.

⚠ Avertissement:

- Pour les appareils qui ne sont pas accessibles au public.
- Cet appareil ne doit pas être installé par l'utilisateur. Demander au revendeur ou à une société agréée de l'installer. Si l'appareil n'est pas correctement installé il peut y avoir un risque de fuite d'eau, d'électrocution ou d'incendie.
- Ne pas marcher sur l'appareil ni y déposer des objets.
- Ne jamais éclabousser l'appareil ni le toucher avec des mains humides. Il pourrait en résulter un risque d'électrocution.
- Ne pas vaporiser de gaz inflammable à proximité de l'appareil sous risque d'incendie.
- Ne pas placer de chauffage au gaz ou tout autre appareil fonctionnant avec une flamme vive là où il serait exposé à l'échappement d'air du climatiseur. Cela risquerait de provoquer une mauvaise combustion.
- Ne pas retirer la face avant ou la protection du ventilateur de l'appareil extérieur pendant son fonctionnement.

⚠ Précaution:

- Ne pas utiliser d'objet pointu pour enfoncer les boutons car cela risquerait d'endommager la commande à distance.
- Ne jamais obstruer les entrées et sorties des appareils extérieurs et intérieurs.
- Ne jamais nettoyer la télécommande avec du benzène, un chiffon imbibé de diluant, etc.
- Ne pas laisser l'appareil fonctionner pendant une période prolongée dans des conditions humides, par exemple avec une porte ou une fenêtre ouverte. En mode de refroidissement, si l'appareil fonctionne longtemps dans une pièce humide (RH de 80 % ou plus), l'eau condensée à l'intérieur du climatiseur risque de tacher ou d'abîmer les meubles, etc.

- Ne jamais réparer ou déménager personnellement l'appareil.
- Si vous remarquez des vibrations ou des bruits particulièrement anormaux, arrêter l'appareil, éteindre l'interrupteur et prendre contact avec le revendeur.
- Ne jamais mettre des doigts, des bâtons, etc. dans les entrées et sorties d'air.
- Si vous sentez des odeurs étranges, arrêter l'appareil, le mettre hors tension et contacter le revendeur. Si vous ne procédez pas de cette façon, il pourrait y avoir risque de panne, d'électrocution ou d'incendie.
- Ne JAMAIS laisser des enfants ou des personnes handicapées utiliser le climatiseur sans surveillance.
- Toujours surveiller que les jeunes enfants ne jouent pas avec le climatiseur.
- Si le gaz de réfrigérant fuit, arrêter le fonctionnement du climatiseur, aérer convenablement la pièce et prendre contact avec le revendeur.

- Ne pas toucher l'ailette de sortie d'air supérieure ni le registre de sortie d'air inférieur pendant le fonctionnement d'appareil. De la condensation risquerait de se former d'appareil pourrait s'arrêter de fonctionner.

Rangement de l'appareil

Lorsque vous devez ranger l'appareil, veuillez consulter votre revendeur.

2. Nomenclature

■ Unité interne

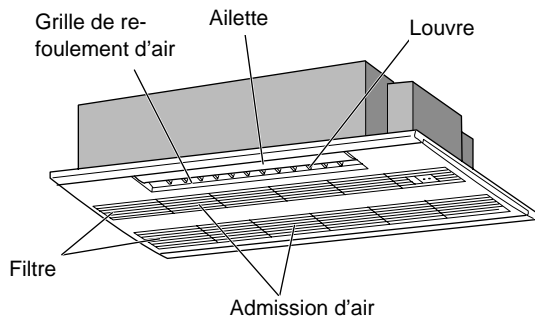
| | PKFY-P-NBMU-E | PKFY-P-NHMU-E | PMFY-P-NBMU-E | PCFY-P-NKMU-E | |
|-------------------------------|---------------------|-------------------|---------------|-------------------|---------|
| Vitesse du ventilateur | 4 Vitesses | 3 Vitesses+ Auto* | 4 Vitesses | 4 Vitesses+ Auto* | |
| Ailette | Modes | 4 modes | 5 modes | 4 modes | 5 modes |
| | Auto avec variation | × | ○ | ○ | ○ |
| Louvre | Manuel | Manuel | Manuel | Manuel | |
| Filtre | Normal | Normal | Normal | Longue durée | |
| Témoin de nettoyage du filtre | 100 heures | 100 heures | 100 heures | 2500 heures | |

* Cette opération n'est possible qu'à l'aide de la télécommande qui permet de régler la vitesse du ventilateur sur "Auto".

2. Nomenclature

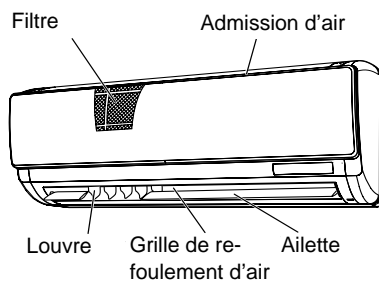
■ PMFY-P-NBMU-E

Plafonnier à Cassette 1 volets



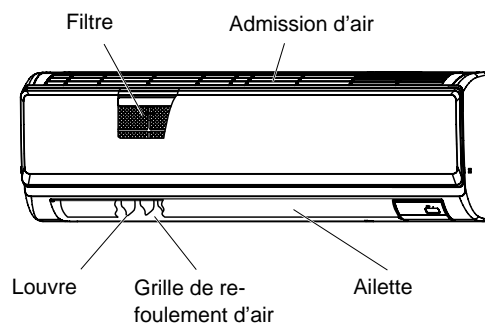
■ PKFY-P-NBMU-E

Fixé au Mur



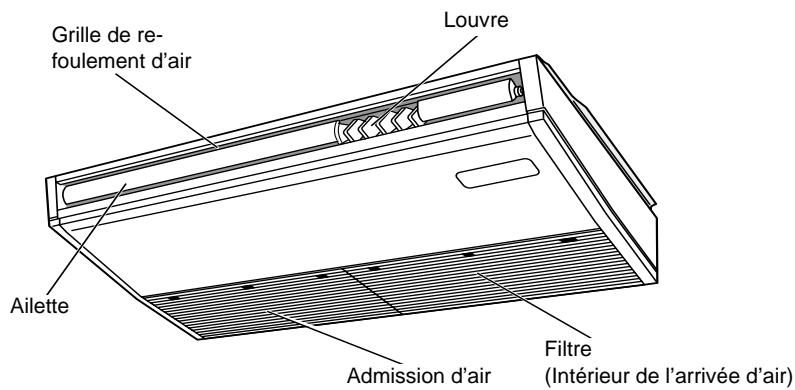
■ PKFY-P-NHMU-E

Fixé au Mur



■ PCFY-P-NKMU-E

Suspendu au Plafond



2. Nomenclature

■ Pour la télécommande à fil

Section de l'affichage

Pour des buts explicatifs, tous les éléments de l'affichage sont affichés. Lors de l'utilisation de l'appareil, seuls les éléments utilisés seront affichés.

Indique l'opération en cours

Montre le mode de fonctionnement, etc.
* les affichages peuvent être en plusieurs langues.

Témoin "Commande centrale"

Indique que le fonctionnement de la commande à distance a été désactivée par une commande maîtresse.

Témoin "Programmeur éteint"

Indique que le programmeur est éteint.

Réglage de température

Indique la température souhaitée.

Jour de la semaine

Indique le jour de la semaine.

Affichage heure/programmeur

Affiche l'heure, à moins que le programmeur simple ou arrêt auto soit activé. Si le programmeur simple ou arrêt auto est en activé, l'affichage indique le temps restant.

Témoin "Capteur"

S'affiche lors de l'utilisation du capteur de la télécommande.

Indicateur "Verrouillé"

Indique que les boutons de la commande à distance ont été bloqués.

"Témoin "Nettoyer le filtre"

S'allume quand il est temps de nettoyer le filtre.

Témoins du programmeur

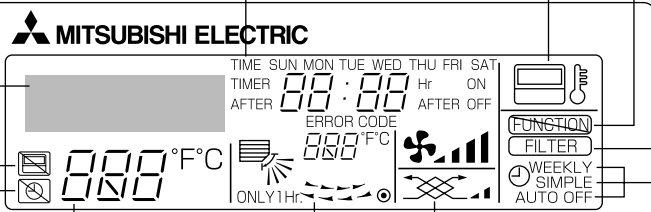
Ce témoin s'allume quand le programmeur correspondant est en fonction.

Témoin de vitesse du ventilateur

Montre la vitesse sélectionnée pour le ventilateur.

Témoin de ventilation

Apparaît quand l'unité fonctionne en mode Ventilation.



Témoin de montée/descente d'air

Ce témoin indique dans quelle direction souffle l'air sortant.

Témoin "une heure seulement"

S'affiche si le courant d'air est réglé sur faible et descendant en mode FROID ou SEC. (L'opération varie en fonction du modèle.) Le témoin s'éteint au bout d'une heure, et à ce moment-là le flux d'air change aussi.

Affichage de température ambiante

Donne la température ambiante. La plage d'affichage de la température de la pièce est comprise entre 8-39 °C, 46-102 °F. L'affichage clignote si la température descend au-dessous de 8 °C, 46 °F ou monte au-dessus de 39 °C, 102 °F.

Affichage du louver

Montre l'action de la grille de transfert. N'apparaît pas si la grille reste stationnaire.

● (Témoin de marche)

Indique que l'appareil est en marche.

Section de commandes

Boutons de réglage de température

- Baisser
- Monter

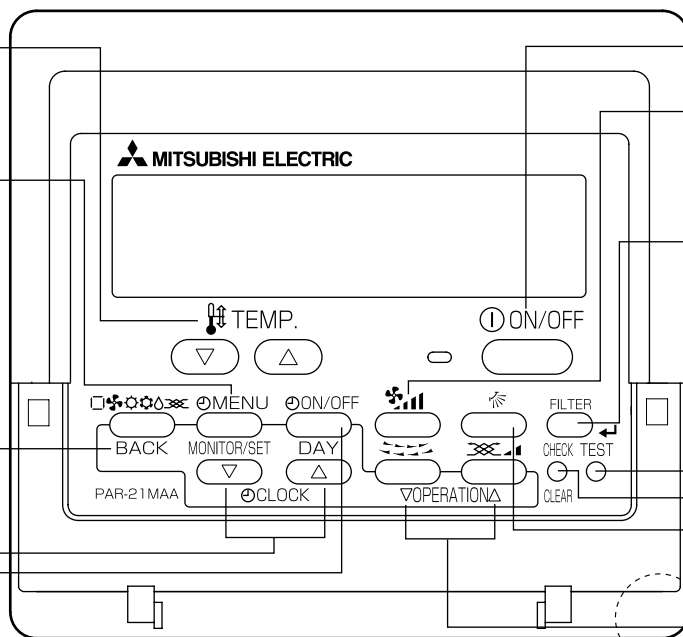
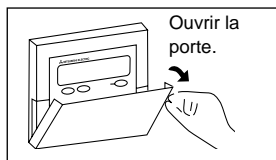
Bouton de menu du programmeur (Bouton Monitor/Set)

Boutons de réglage horaire

Boutons de réglage horaire

- Reculer
- Avancer

Bouton marche/arrêt du programmeur (Bouton de réglage de la date)



Bouton ON/OFF

Bouton de vitesse du ventilateur

Bouton du filtre (Bouton)

Bouton de test de fonctionnement

Bouton Check (bouton d'effacement)

Bouton de ventilation montante/descendante

Bouton de louver (Bouton opération)

pour la précédente opération

Bouton de ventilation (bouton opération)

pour l'opération suivante

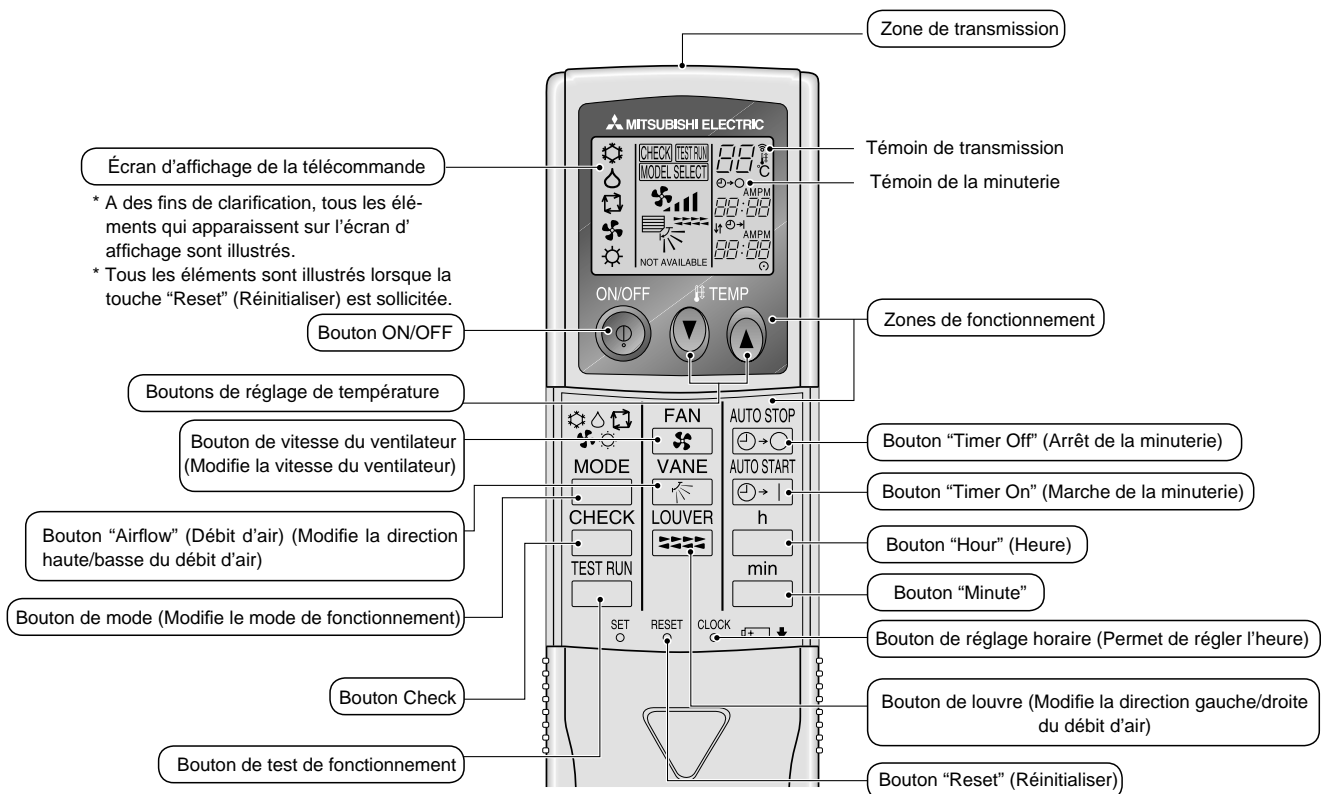
Capteur de température intégré

Remarque:

- Message "PLEASE WAIT" (VEUILLEZ PATIENTER)
Ce message s'affiche pendant 3 minutes environ lorsque l'appareil intérieur est alimenté ou suite à une coupure d'électricité.
- Ecran clignotant affichant le mode de fonctionnement
Lorsque plusieurs appareils intérieurs sont connectés à un seul appareil extérieur et que le mode de fonctionnement sélectionné pour un appareil intérieur ne correspond pas à celui d'un autre appareil intérieur, l'écran affichant le mode de fonctionnement clignote. Sélectionner le même mode de fonctionnement pour tous les appareils intérieurs.
- Message "NOT AVAILABLE" (NON DISPONIBLE)
Ce message s'affiche quand vous appuyez sur une touche pour lancer une fonction qui est indisponible pour cet appareil intérieur. Lorsqu'une télécommande unique est utilisée pour faire fonctionner plusieurs appareils intérieurs, ce message s'affiche si l'appareil intérieur principal ne dispose pas de la fonction sélectionnée.
- Affichage de la température de la pièce
Pour mesurer la température de la pièce, il est possible d'utiliser soit les capteurs d'appareil intérieur, soit le capteur de la télécommande. Par défaut, la température est mesurée par les capteurs d'appareil intérieur. Lorsque c'est le cas, la température de la pièce, mesurée au niveau d'appareil intérieur principal, est affichée sur la télécommande utilisée pour le fonctionnement des différents appareils intérieurs.

2. Nomenclature

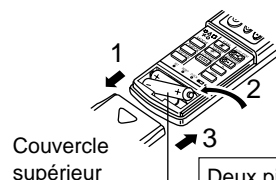
■ Pour la télécommande sans fil



- Pour utiliser la télécommande sans fil, pointez-la vers le récepteur de l'appareil.
- Si la télécommande est utilisée dans les deux minutes qui suivent l'alimentation de l'appareil intérieur, l'appareil peut émettre deux bips successifs indiquant que le contrôle automatique initial est en cours.
- L'appareil intérieur émet des bips pour confirmer que le signal transmis par la télécommande a été reçu. Les signaux peuvent être reçus jusqu'à 23ft. (7 mètres) environ en ligne droite à partir de l'appareil intérieur et dans une zone de 45° vers la gauche ou la droite de l'appareil. Cependant, une lumière vive ou fluorescente peut gêner la réception de signaux de l'appareil intérieur.
- L'appareil doit être contrôlé si le voyant d'opération près du récepteur de l'unité intérieure clignote. Consultez votre revendeur pour le service.
- Manipulez la télécommande avec précaution ! Ne la faites pas tomber et ne lui infligez pas de chocs violents. De plus, évitez de mouiller la télécommande et ne la laissez pas dans un endroit humide.
- Pour éviter de chercher la télécommande, placez le support fourni avec la télécommande sur un mur et veillez à replacer la télécommande dans le support après chaque utilisation.

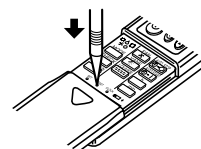
Insertion/remplacement de la pile

1. Retirez le couvercle supérieur, insérez deux piles AAA, puis reposez le couvercle.



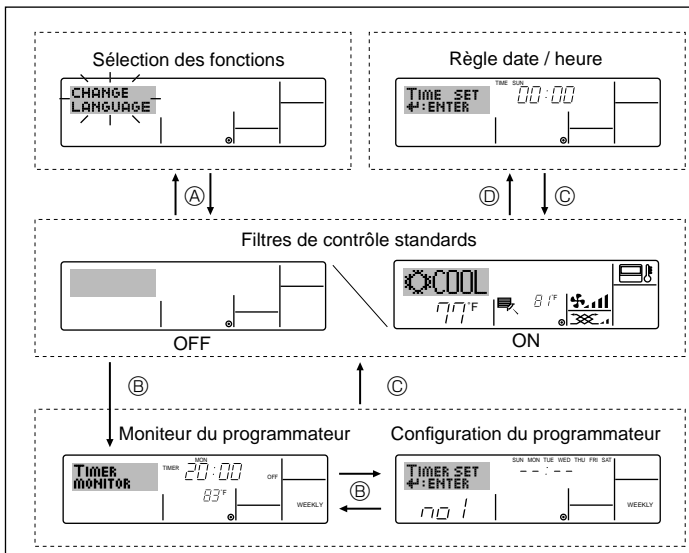
Deux piles AAA
Insérez d'abord le pôle (-) négatif de chaque pile. Insérez les piles en respectant la polarité indiquée (+, -)!

2. Appuyez sur la touche "Reset" (Réinitialiser).



Appuyez sur la touche "Reset" (Réinitialiser) avec un objet dont l'extrémité est étroite.

3. Configuration d'écran



<Types d'écrans>

Le paramétrage de la langue d'affichage peut être modifié pour que le français devienne la langue par défaut en sélectionnant la fonction appropriée sur la télécommande. Voyez la section 8, paragraphe [4]-1 pour modifier la langue. La langue de base est l'Anglais.

- Sélection des fonctions: Règle les fonctions et les plages disponibles pour la télécommande (fonctions du programmeur, restrictions de fonctionnement, etc.)
- Régler date/heure: Règle le jour de la semaine et l'heure.
- Écrans de contrôle standards: Visualise et règle le fonctionnement du système de conditionnement.
- Moniteur du programmeur: Affiche le programmeur en place (hebdomadaire, simple ou arrêt automatique)
- Configuration du programmeur: Règle le fonctionnement des programmeurs (hebdomadaire, simple ou arrêt automatique)

<Comment changer d'écran>

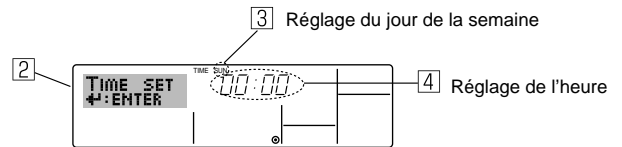
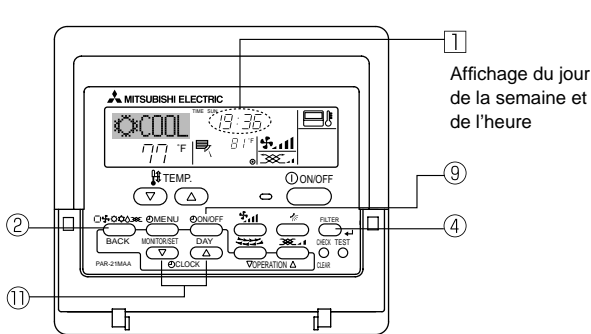
Pour aller à A : Appuyer sur les boutons Mode et On/Off du programmeur durant 2 secondes.

Pour aller à B : Appuyez sur le bouton Menu du programmeur.

Pour aller à C : Appuyez sur le bouton Mode (Entrée).

Pour aller à D : Appuyez sur l'un ou l'autre des boutons de réglage horaire (▽ ou △).

4. Régler le jour de la semaine et l'heure

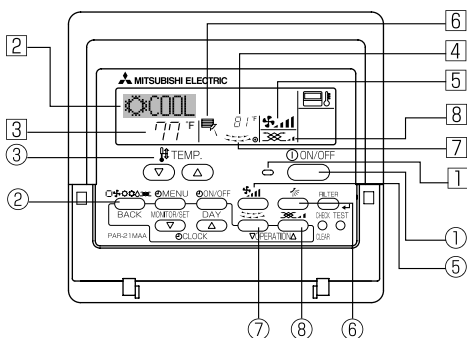


1. Appuyez sur le bouton de réglage horaire ① ▽ ou △ pour appeler l'affichage ②.
2. Appuyez sur le bouton ⑨ Timer On/Off pour régler le jour.
* À chaque fois que vous appuyez, vous avancez le jour affiché en ③ : Dim → Lun → ... → Ven → Sam.
3. Appuyez sur le bouton de réglage correspondant ① afin de régler l'heure.
* Lorsque vous appuyez sur le bouton, le réglage horaire (à ④) augmente tout d'abord en intervalle d'une minute, puis en intervalle de 10 minutes, puis en intervalle d'une heure.
4. Après avoir effectué les réglages nécessaires des étapes 2 et 3, appuyez sur le bouton ④ Filter ← pour valider ces informations.

Remarque:

Le jour et l'heure n'apparaîtront pas si l'horloge a été déconnectée dans la sélection des fonctions.

5. Fonctionnement



5.1. MARCHE/ARRET

<Pour commencer l'opération>

- Appuyez sur le bouton ON/OFF ①.

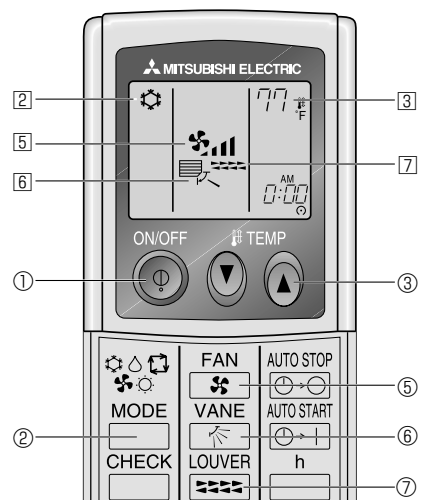
- Le témoin de marche ① et la zone d'affichage s'allument.

Remarque:

- Quand l'unité est relancée, les réglages de base sont les suivants.

| | | Réglages de télécommande | |
|------------------------|------|--------------------------|--------------------|
| Mode | | Dernier réglage | |
| Réglage de température | | Dernier réglage | |
| Vitesse de ventilateur | | Dernier réglage | |
| Air montant/descendant | Mode | COOL or DRY | Sortie horiz. *1 |
| | | HEAT | Dernier réglage *2 |
| | | FAN | Sortie horiz. *1 |

*1 La dernière configuration peut être appliquée selon le type d'appareil intérieur.
*2 Dans le cas où le balancement correspond au dernier réglage, le flux d'air peut être dirigé vers le bas (réglage 4) en fonction du type de l'appareil intérieur.



<Pour arrêter le fonctionnement>

- Appuyez de nouveau sur le bouton ON/OFF ①.
• Le témoin de marche ① et la zone d'affichage s'éteignent.

Remarque:

Même si vous appuyez sur le bouton ON/OFF immédiatement après avoir arrêté la fonction en cours, le climatiseur ne se remettra en route que trois minutes plus tard. Ceci est une précaution pour éviter l'endommagement de tout composant interne.

5. Fonctionnement

5.2. Choix du mode

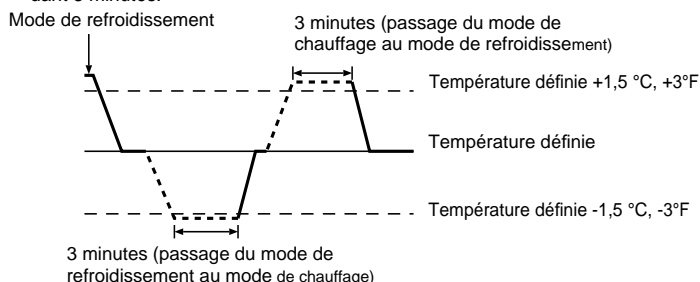
■ Appuyer sur la touche du mode de fonctionnement (☐❄️🌀🔥) ② pour sélectionner le mode de fonctionnement souhaité ②.

- ❄️ Mode de refroidissement
- 💧 Mode de assèchement
- 🌀 Mode de soufflerie
- 🔥 Mode de chauffage
- ☐ Mode automatique (refroidissement/chauffage)

Fonctionnement automatique

■ En fonction de la température définie préalablement, l'opération de refroidissement débutera si la température de la pièce est trop élevée; à l'inverse, l'opération de chauffage débutera si la température de la pièce est trop basse.

■ En mode de fonctionnement automatique, le climatiseur passera en mode de refroidissement si la température de la pièce varie et affiche 1,5 °C, 3 °F ou plus au-dessus de la température définie pendant 3 minutes. De la même façon, le climatiseur passera en mode de chauffage si la température de la pièce affiche 1,5 °C, 3 °F ou plus au-dessous de la température définie pendant 3 minutes.



■ La température de la pièce étant ajustée automatiquement de façon à rester stable, l'opération de refroidissement se met en marche à quelques degrés au-dessus, et l'opération de chauffage à quelques degrés au-dessous, de la température définie lorsque cette dernière est atteinte (fonction automatique d'économie d'énergie).

5.3. Réglage de la température

Pour réduire la température ambiante:

Appuyer sur le bouton ③ pour sélectionner la température désirée.

La température sélectionnée est affichée ③.

Pour augmenter la température ambiante:

Appuyer sur le bouton ③ pour sélectionner la température désirée.

La température sélectionnée est affichée ③.

• Plages de températures à votre disposition:

Rafraîchissement et Assèchement: 19 - 30°C, 67 - 87 °F

Chauffage: 17 - 28°C, 63 - 83 °F

Automatique: 19 - 28°C, 67 - 83 °F

• 8 °C, 46 °F ou 39 °C, 102 °F clignote sur l'affichage pour indiquer que la température de la pièce est plus basse ou plus élevée que la température affichée.

5.4. Réglage de la vitesse du ventilateur

■ Appuyez sur le bouton de vitesse du ventilateur ⑤ autant de fois que nécessaire alors que le système est en fonction.

- À chaque fois que vous appuyez sur le bouton, vous changez la force. La vitesse actuelle est indiquée en ⑤.

- La séquence de changement, et les réglages disponibles sont les suivants.

| Vitesse du ventilateur | Affichage |
|------------------------|------------------------------------------------------|
| 4 vitesses + Auto* | Vitesses 1 Vitesses 2 Vitesses 3 Vitesses 4 Auto |
| 3 vitesses + Auto* | Vitesses 1 Vitesses 2 Vitesses 3 Auto |
| Modèle 4 vitesses | Vitesses 1 Vitesses 2 Vitesses 3 Vitesses 4 |

* Uniquement pour la télécommande MA. Le réglage de vitesse de ventilateur automatique est nécessaire pour la télécommande sans fil.

Remarque:

● Le nombre de ventilateurs disponible dépend du type d'unité connectée. Notez aussi que certaines unités ne permettent que le réglage "Auto".

● Dans les cas suivants, la vitesse de ventilation actuelle générée par l'unité différera de la vitesse indiquée au niveau de la commande à distance.

1. Quand l'affichage indique "ATTENTE" ou "DEGIVRE".
2. Lorsque la température de l'échangeur thermique est basse en mode de chauffage. (par ex. immédiatement après le lancement de l'opération de chauffage)
3. En mode CHAUFFAGE, quand la température ambiante dans la pièce est supérieure à la température réglée.
4. Quand l'unité est en mode SEC.

■ Réglage automatique de la vitesse du ventilateur (pour télécommande sans fil).

Il faut régler la télécommande sans fil uniquement lorsque la vitesse du ventilateur n'est pas automatiquement réglée par défaut.

Il n'est pas nécessaire de régler la vitesse automatique du ventilateur par défaut sur la télécommande avec fil.

Ce cadre n'est pas nécessaire pour l'équipement du télécommande sans fil qui est une partie facultative pour PCFY-P-NKMU-E.

① Appuyer sur le bouton SET à l'aide d'un objet pointu.

Intervenir lorsque l'affichage de la télécommande est éteint.

MODEL SELECT, clignote et le No de modèle est allumé ①.

② Appuyer sur la touche AUTO STOP ⑥-⑦.

② clignote et le No de configuration est allumé ②.

(Configuration No 01: sans vitesse automatique du ventilateur)

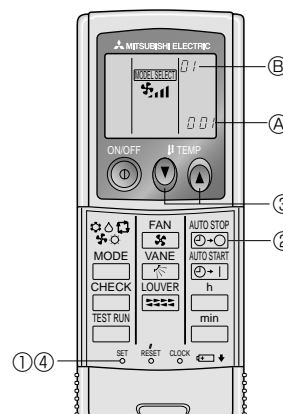
③ Appuyer sur les touches temp. ④-⑤ pour régler la configuration No 02.

(Configuration No 02: avec vitesse automatique du ventilateur)

Si l'opération est erronée, appuyer sur la touche ON/OFF ⑧ et recommencer à partir du point ②.

④ Appuyer sur le bouton SET à l'aide d'un objet pointu.

MODEL SELECT, et le No de modèle s'allume pendant 3 secondes, puis s'éteint.



5.5. Réglage de la direction du débit d'air

<Pour changer la direction de l'air (montant/descendant)>

■ Quand l'unité est en fonction, appuyez sur le bouton ⑥ de ventilation montante/descendante autant de fois que nécessaire.

- À chaque fois que vous appuyez sur le bouton, vous changez la direction. La direction actuelle est affichée sur ⑥.
- La séquence de changement, et les réglages disponibles sont les suivants:

| Débit d'air | Affichage |
|-------------------|---------------------------------|
| Modèle 5 modes *1 | Bascule Auto 1 2 3 4 5 |
| Modèle 4 modes | Bascule 1 2 3 4 (Horiz.) |

* Notez que lors de l'opération de basculement, l'indication directionnelle à l'écran ne change pas en synchronisation avec les ailettes de l'unité.

* Certains modèles n'acceptent pas les réglages directionnels.

*1. Uniquement pour la télécommande MA; l'affichage de l'autre télécommande est similaire au modèle à 4 étapes.

*2. PKFY-P-NBMU-E n'a aucun exposition du bascule.

*3. Réglage de la direction du débit d'air <Auto> COOL / FAN / DRY: Réglage 1 (Horizontal), HEAT: Réglage 5 (Vers le bas 5)

5. Fonctionnement

Remarque:

- Les directions disponibles dépendent du type d'unités connectées. Notez aussi que certaines unités ne permettent que le réglage "Auto".
- Dans les cas suivants, la direction actuelle de l'air différera de la direction indiquée au niveau de la commande à distance.
 1. Quand l'affichage indique "ATTENTE" ou "DEGIVRE".
 2. Immédiatement après le démarrage du mode CHAUFFAGE (alors que le système attend que le changement de mode se fasse).
 3. En mode chauffage, quand la température ambiante dans la pièce est supérieure à la température réglée.

<[Manuel] Pour modifier la direction gauche/droite du flux d'air>

- * Il est impossible d'utiliser le bouton du déflecteur ⑦.
- Arrêter l'appareil, maintenir le déflecteur de l'appareil et ajuster la direction souhaitée.
- * Ne pas régler la direction interne lorsque l'appareil est en mode refroidissement ou déshumidification car il y a un risque de condensation ou d'égouttement.



⚠ Prudence:

Lorsque vous suivez le processus ci-dessus, prenez des précautions pour éviter toute chute.

6. Minuterie

6.1. Pour la télécommande à fil

Vous pouvez utiliser la sélection des fonctions pour sélectionner le type de programmeur, entre les trois disponibles. ① Hebdomadaire, ② Simple, ou ③ Arrêt auto.

6.1.1. Minuterie hebdomadaire

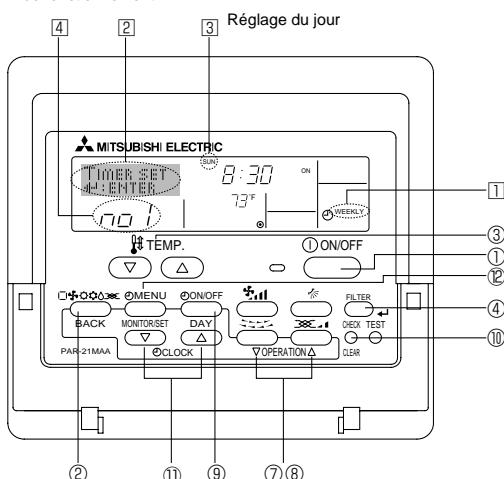
- Le programmeur hebdomadaire peut servir à régler les huit opérations pour chaque jour de la semaine.
 - Chaque opération permet l'une ou l'autre des fonctions suivantes: Programmeur Marche/Arrêt avec un réglage de température ou programmeur Marche/Arrêt seulement, ou réglage de température seulement.
 - À l'heure dite, le conditionneur d'air effectue l'action programmée.
- La précision horaire de ce programmeur est de 1 minute.

Remarque:

- *1. Les programmeurs hebdomadaire/simple/Arrêt auto ne peuvent être utilisés en même temps.
- *2. Le programmeur hebdomadaire ne fonctionne pas dans les conditions suivantes.

La fonction de temporisateur est désactivée; le système est dans un état anormal; une exécution de test est en cours; la télécommande est soumise à un auto-diagnostic ou à un diagnostic externe; l'utilisateur est en train de définir une fonction; l'utilisateur est en train de régler le temporisateur; l'utilisateur est en train de régler l'heure ou le jour de la semaine; le système est sous commande centralisée. (Précisément, le système n'exécute pas les opérations (allumage, extinction ou réglage de la température) désactivées dans ces situations.)

N° de fonctionnement

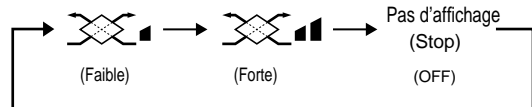


5.6. Ventilation

► Pour les appareils combinés LOSSNAY

5.6.1. Pour la télécommande à fil

- Pour lancer le ventilateur conjointement à l'unité intérieure:
 - Appuyez sur le bouton ON/OFF ①.
 - Quand l'indication de ventilation apparaît à l'écran (en ⑧). Le ventilateur sera désormais lancé automatiquement à chaque fois que l'unité intérieure démarrera.
- Pour lancer le ventilateur uniquement quand l'unité intérieure est éteinte:
 - Appuyez sur le bouton de ventilation ⑧ quand l'unité intérieure est éteinte.
 - Le témoin ON (en ①) et l'indication de ventilation (en ⑧) s'allument.
- Changer la force du ventilateur:
 - Appuyez sur le bouton de ventilation ⑧ autant que nécessaire
 - À chaque fois que vous appuyez sur le bouton, vous changez le réglage comme indiqué ci-dessous.



Remarque:

- Dans certaines configurations, le ventilateur de l'unité intérieure peut s'allumer même quand vous demandez au ventilateur de fonctionner indépendamment.

<Comment régler le programmeur hebdomadaire>

1. Assurez-vous que vous êtes sur l'écran de contrôle standard, et que le témoin du programmeur hebdomadaire ① s'affiche.
 2. Appuyez sur le bouton Menu du programmeur ②, de manière à ce que le "Réglage" apparaisse à l'écran (en ②). (Notez qu'à chaque fois que vous appuyez sur le bouton, vous passez de "Réglage" à "Moniteur" (moniteur).)
 3. Appuyez sur le bouton On/Off du programmeur ⑨ pour régler le jour. À chaque fois que vous appuyez, vous changez le réglage en ③, selon la séquence suivante: "Dim Lun Mar Mer Jeu Ven Sam" → "Dim" → ... → "Ven" → "Sam" → "Dim Lun Mar Mer Jeu Ven Sam"...
 4. Appuyez sur le bouton (⑦ ou ⑩) d'opération ∇ ou △ autant de fois que nécessaire pour sélectionner le numéro d'opération approprié (1 à 8) ④.
 - * Vos choix aux étapes 3 et 4 sélectionneront l'une des cellules de la matrice affichée ci-dessous.
- (l'affichage de la commande à distance à gauche montre comment l'affichage devrait apparaître lors du réglage de l'opération 1 pour dimanche aux valeurs indiquées ci-dessous).

Matrice de réglage

| N° d'op. | Sunday | Monday | ... | Saturday |
|----------|--------------------------|------------------|------------------|------------------|
| No. 1 | • 8:30 • ON • 73°F | | | |
| No. 2 | • 10:00 • OFF | • 10:00 • OFF | • 10:00 • OFF | • 10:00 • OFF |
| ... | | | | |
| No. 8 | | | | |

<Réglage de l'opération 1 pour dimanche>
Démarrer le conditionneur d'air à 8:30, avec la température à 73 °F.

<Réglage de l'opération 2 pour tous les jours>
Éteindre le conditionneur d'air à 10:00.

Remarque:

En réglant le jour sur "Dim Lun Mar Mer Jeu Ven Sam", vous pouvez régler la même opération à effectuer au même moment tous les jours. (Exemple: L'opération 2 ci-dessus, qui est la même pour tous les jours de la semaine.)

Affiche le réglage de l'heure ⑤ ⑥ Affiche l'opération choisie (Marche ou Arrêt)
* N'apparaît pas si l'opération n'est pas réglée.

Affiche le réglage de la température ⑦
* N'apparaît pas si la température n'est pas réglée.

6. Minuterie

<Régler le programmeur hebdomadaire>

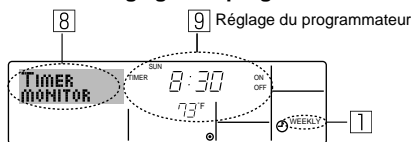
- Appuyez sur le bouton de réglage de l'heure ① approprié autant de fois que nécessaire pour régler l'heure choisie (en ⑤).
 - * Quand vous maintenez le bouton appuyé, l'heure augmentera d'abord toutes les minutes, puis toutes les 10 minutes, puis toutes les heures.
- Appuyez sur le bouton ON/OFF ① pour sélectionner l'opération choisie (Marche ou Arrêt: marche ou arrêt), en ⑥.
 - * À chaque fois que vous appuyez vous passez au réglage suivant, selon la séquence suivante: aucun affichage (pas de réglage) → "MARCHE" → "ARRÊT"
- Appuyez sur le bouton de réglage de température ③ approprié pour régler la température choisie (en ⑦).
 - * À chaque fois que vous appuyez vous changez le réglage, selon la séquence suivante: aucun affichage (pas de réglage) ↔ 75 ↔ 77 ↔ ... ↔ 84 ↔ 87 ↔ 53 ↔ ... ↔ 73 ↔ pas d'affichage.
 - (Plage disponible: La plage disponible pour ce réglage va de 12 °C, 53 °F à 30 °C, 87 °F. La plage réelle au-delà de laquelle la température peut être contrôlée, toutefois, peut changer en fonction du type d'unité connectée.)
- Après avoir effectué les réglages nécessaires des étapes 5, 6 et 7, appuyez sur le bouton ④ Filter ↵ pour valider ces informations. Pour effacer les valeurs actuelles de l'opération choisie, appuyez et relâchez rapidement le bouton ⑩ Check (Clear) une fois.
 - * Le réglage du temps affiché devient "—:—", et les réglages de température et On/Off s'éteignent tous.
 - (Pour effacer tous les réglages du programmeur hebdomadaire d'un coup, appuyez sur le bouton ⑩ Check (Clear) pendant 2 secondes ou plus. L'affichage commence à clignoter, indiquant que tous les réglages ont été effacés.)

Remarque:

Vos nouvelles informations seront effacées si vous tapez le bouton ② Mode (Entrée) avant d'appuyer sur le bouton ④ Filter ↵ . Si vous avez réglé deux opérations différentes ou plus pour le même temps exactement, seule l'opération ayant le n° le plus élevé sera effectuée.

- Répétez les étapes 3 à 8 autant de fois que nécessaire pour remplir les cellules disponibles que vous souhaitez.
- Appuyez sur le bouton ② Mode (Retour) pour revenir à l'écran de contrôle standard et terminer la procédure de réglage.
- Pour activer le programmeur, appuyez sur le bouton Timer On/Off (programmeur Marche/arrêt) ⑨, de manière à ce que l'indication "Timer Off" (arrêt programmeur) disparaisse de l'écran. **Veillez à ce que l'indication "Timer Off" ne s'affiche plus.**
 - * Si le programmeur n'est pas réglé, l'indicateur « Timer Off » clignote sur l'écran.

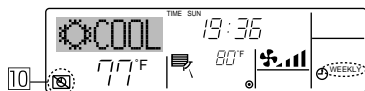
<Comment visualiser les réglages du programmeur hebdomadaire>



- Assurez-vous que l'indication du programmeur hebdomadaire apparaisse à l'écran (en ①).
- Appuyez sur le bouton Menu ②, de manière à ce que l'écran affiche "Moniteur" (en ⑧).
- Appuyez sur le bouton Marche/Arrêt du programmeur ⑨ tant qu'il faut pour choisir le jour.
- Appuyez sur le bouton (⑦ ou ⑧) d'opération ▼ ou ▲ autant que nécessaire pour changer l'opération du programmeur à l'affichage (en ⑨).
 - * À chaque fois que vous appuyez, vous passez à l'opération du programmeur suivante, dans l'ordre du réglage horaire.
- Pour fermer le moniteur et retourner à l'écran de contrôle standard, appuyez sur le bouton Mode (Entrée) ②.

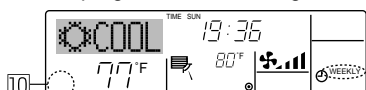
<Pour éteindre le programmeur hebdomadaire>

Appuyez sur le bouton Marche/Arrêt du programmeur ⑨, de manière à ce que l'indication "arrêt programmeur" apparaisse en ⑩.



<Pour allumer le programmeur hebdomadaire>

Appuyez sur le bouton Marche/Arrêt du programmeur ⑨, de manière à ce que l'indication "arrêt programmeur" s'éteigne en ⑩.



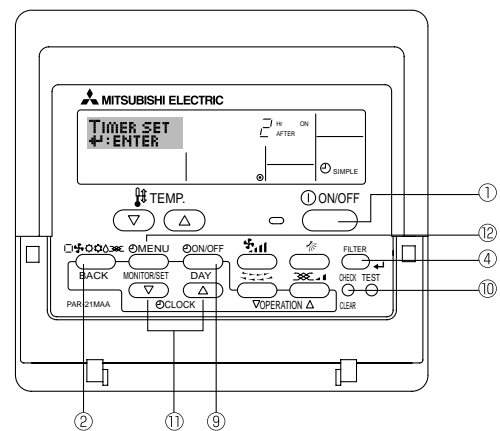
6.1.2. Minuterie simple

- Vous pouvez régler le programmeur simple de trois manières possible.
 - Heure de démarrage uniquement: Le conditionneur d'air démarre quand le temps indiqué s'est écoulé.
 - Heure d'arrêt uniquement: Le conditionneur d'air s'arrête quand le temps indiqué s'est écoulé.
 - Horaires de marche & d'arrêt: Le conditionneur d'air démarre et s'arrête quand les temps indiqués se sont écoulés.
- Le programmeur simple (démarrage et arrêt) peut être régler une fois seulement sur une période de 72 heures. Le réglage se fait heure par heure.

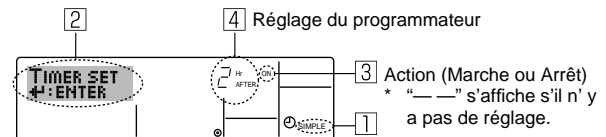
Remarque:

- *1. Les programmeurs hebdomadaire/simple/Arrêt auto ne peuvent être utilisés en même temps.
- *2. Le programmeur simple n'opérera pas quand l'une des conditions suivantes est en fonction.

La fonction programmeur est éteinte; anomalie du système; un test est en cours; la commande à distance effectue un auto-test ou un diagnostic; l'utilisateur est en train de sélectionner une fonction; l'utilisateur est en train de régler le programmeur; le système est sous contrôle central. (Dans ces conditions, l'opération Marche/Arrêt est désactivée.)



<Comment régler le programmeur simple>



- Assurez-vous que vous êtes sur un écran de contrôle standard, et que le témoin du programmeur simple s'affiche (en ①). Lorsque qu'une fonction autre que le temporisateur simple est affichée, réglez la télécommande sur SIMPLE TIMER en utilisant le paramètre de fonction temporisateur de la sélection des fonctions (voir 8.[4]-3 (3)).
- Appuyez sur le bouton Menu ②, de manière à ce que le "Réglage" apparaisse à l'écran (en ②). (Notez qu'à chaque fois que vous appuyez sur le bouton, vous passez de "Réglage" à "Moniteur".)
- Appuyez sur le bouton ON/OFF ① pour afficher le réglage du programmeur simple (Marche ou Arrêt : marche ou arrêt). Appuyez une fois sur le bouton pour afficher le temps restant sur Marche, et une fois encore pour afficher le temps restant sur Arrêt (l'indication Marche/Arrêt apparaît en ③).
 - Programmeur "Marche": Le conditionneur d'air démarre quand le nombre d'heures indiqué s'est écoulé.
 - Programmeur "Arrêt": Le conditionneur d'air s'arrête quand le nombre d'heures indiqué s'est écoulé.
- Avec l'indication "Marche" ou "Arrêt" en ③: Appuyez sur le bouton de réglage d'heure ① approprié autant de fois que nécessaire pour régler l'heure sur Marche (si "Marche" s'affiche) ou sur Arrêt (si "Arrêt" s'affiche en ④).
- Plage disponible: 1 à 72 heures
- Pour régler à la fois pour Marche et pour Arrêt, répétez les étapes 3 et 4.
 - * Notez que les temps pour Marche et Arrêt ne peuvent avoir la même valeur.
- Pour effacer le réglage Marche ou Arrêt actuel: Afficher le réglage Marche ou Arrêt (voir étape 3) puis appuyer sur le bouton Check (Clear) ⑩ de manière à ce que le réglage passe à "—" en ④. (Si vous souhaitez utiliser un réglage Marche ou Arrêt uniquement, assurez-vous que le réglage dont vous ne voulez pas est bien sur "—".)

6. Minuterie

7. Après avoir effectué les étapes 3 à 6, appuyez sur le bouton ④ Filter ← pour valider ces informations.

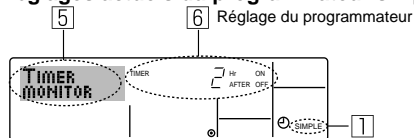
Remarque:

Vos nouvelles informations seront effacées si vous tapez le bouton ② Mode (Entrée) avant d'appuyer sur le bouton ④ Filter ←.

8. Appuyez sur le bouton ② Mode (Entrée) pour retourner à l'écran de contrôle standard.

9. Appuyez sur le bouton Marche/Arrêt du programmateur ⑨ pour lancer le compte à rebours. Pendant que le programme s'exécute, l'affichage indique l'état du programmateur. **Veillez à ce que la valeur du programmateur soit visible et convenable.**

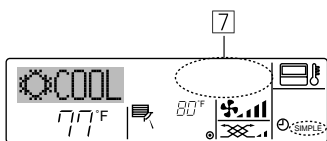
<Afficher les réglages actuels du programmateur simple>



1. Assurez-vous que l'indication du programmateur simple apparaisse à l'écran (sur ①).
2. Appuyez sur le bouton Menu ②, de manière à ce que le "Moniteur" apparaisse à l'écran (en ⑤).
 - Si le programmateur simple Marche ou Arrêt est en fonction, son état actuel apparaîtra en ⑥.
 - Si les valeurs Marche et Arrêt ont été réglées toutes les deux, les deux valeurs apparaîtront alternativement.
3. Appuyez sur le bouton ② Mode (Entrée) pour fermer le moniteur et retourner à l'écran de contrôle standard.

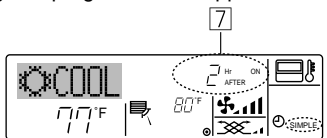
<Pour éteindre le programmateur simple...>

Appuyez sur le bouton Marche/Arrêt du programmateur ⑨, de manière à ce que le réglage du programmateur n'apparaisse plus à l'écran (en ⑦).



<Pour lancer le programmateur simple...>

Appuyez sur le bouton Marche/Arrêt du programmateur ⑨, de manière à ce que le réglage du programmateur apparaisse en ⑦.

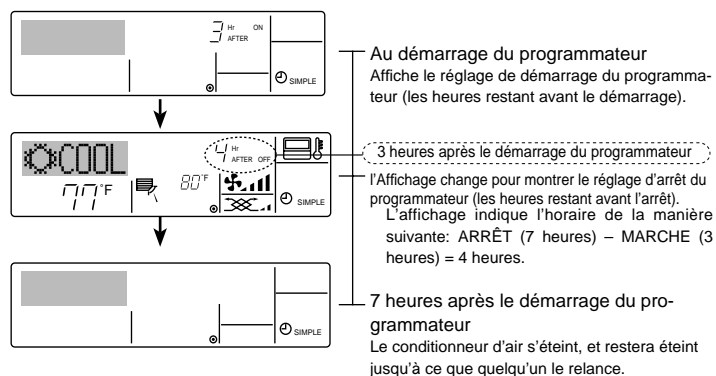


Exemples

Si les horaires de marche et d'arrêt ont été réglés pour le programmateur simple, l'opération et l'affichage sont comme indiqués comme ci-dessous.

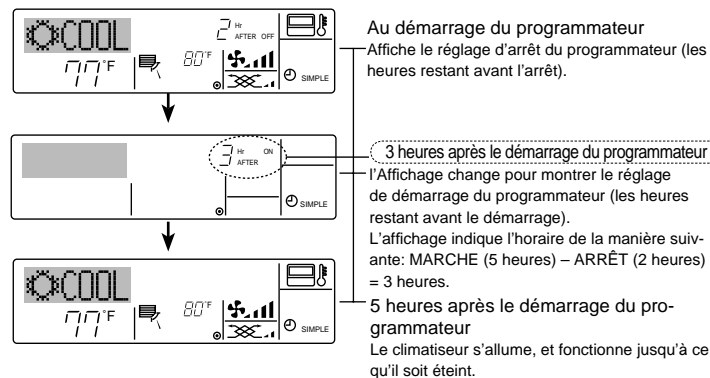
Exemple 1:

Lancer le programmateur avec l'heure de démarrage réglée avant l'heure d'arrêt
 Réglage Marche: 3 heures
 Réglage Arrêt : 7 heures



Exemple 2:

Lancer le programmateur avec l'heure d'arrêt réglée avant l'heure de démarrage
 Réglage Marche : 5 heures
 Réglage Arrêt : 2 heures

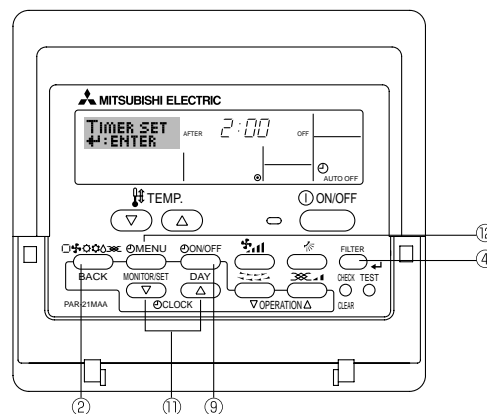


6.1.3. Minuterie "Auto Off" (Arrêt auto)

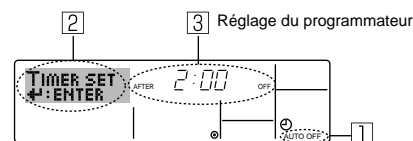
- Ce programmateur commence le compte à rebours au démarrage du conditionneur d'air, et éteint le conditionneur quand le temps indiqué s'est écoulé.
- les réglages possibles vont de 30 minutes à 4 heures, par tranches de 30 minutes.

Remarque:

- *1. Les programmateurs hebdomadaire/simple/Arrêt auto ne peuvent être utilisés en même temps.
- *2. Le programmateur Arrêt Auto n'opérera pas quand l'une des conditions suivantes est en fonction.
 La fonction programmateur est éteinte; anomalie du système; un test est en cours; la commande à distance effectue un auto-test ou un diagnostic; l'utilisateur est en train de sélectionner une fonction; l'utilisateur est en train de régler le programmateur; le système est sous contrôle central. (Sous ces conditions, l'opération Marche/Arrêt est désactivée.)



<Comment régler le programmateur Arrêt Auto>



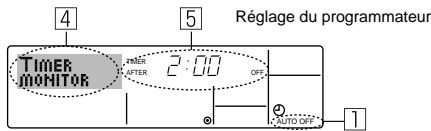
1. Assurez-vous que vous êtes sur un écran de contrôle standard, et que le témoin du programmateur Arrêt Auto s'affiche (en ①). Lorsque qu'une fonction autre que le temporisateur à extinction automatique est affichée, réglez la télécommande sur AUTO OFF TIMER en utilisant le paramètre de fonction temporisateur de la sélection des fonctions (voir 8.[4]-3 (3)).
2. Appuyez sur le bouton Menu du programmateur ② pendant 3 secondes, de manière à ce que le "Réglage" apparaisse à l'écran (en ②). (Notez qu'à chaque fois que vous appuyez sur le bouton, vous passez de "Réglage" à "Moniteur".)
3. Appuyez sur le bouton de réglage d'heure ① approprié autant de fois que nécessaire pour régler l'heure d'arrêt (en ③).
4. Appuyez sur le bouton ④ Filter ← pour enregistrer le réglage.

Remarque:

- Vos informations seront effacées si vous tapez le bouton ② Mode (Entrée) avant d'appuyer sur le bouton ④ Filter ←.**
5. Appuyez sur le bouton ② Mode (Entrée) pour terminer la procédure de réglage et retourner à l'écran de contrôle standard.
 6. Si le conditionneur d'air est déjà en fonction, le programmateur démarre le compte à rebours immédiatement. **Veillez à vérifier que le réglage du programmateur apparaisse correctement à l'écran.**

6. Minuterie

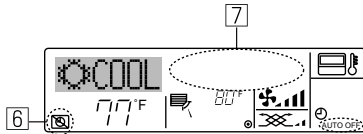
<Vérifier le réglage du programme Arrêt Auto>



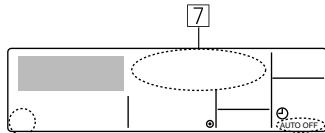
1. Assurez-vous que l'indication "Arrêt Auto" apparaisse à l'écran (sur ❶).
2. Appuyez sur le bouton Menu du programmeur ❷ pendant **3 secondes**, de manière à ce que "Moniteur" apparaisse à l'écran (en ❹).
 - Le temps restant avant l'extinction apparaît en ❺.
3. Pour fermer le moniteur et retourner à l'écran de contrôle standard, appuyez sur le bouton Mode (Entrée) ❸.

<Pour éteindre le programmeur Arrêt Auto...>

- Appuyez sur le bouton Marche/Arrêt du programmeur ❹ pendant **3 secondes**, de manière à ce que l'indication "Arrêt programmeur" apparaisse en ❻ et que la valeur du programmeur (en ❼) disparaisse.

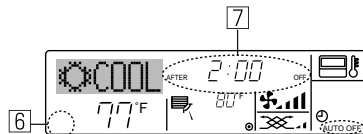


- Sinon, il est possible d'éteindre le conditionneur d'air lui-même. La valeur du programmeur (en ❼) disparaîtra de l'écran.

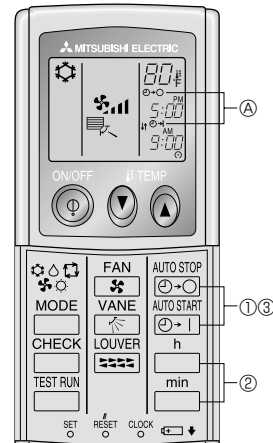


<Pour démarrer le programmeur Arrêt Auto...>

- Appuyez sur le bouton Marche/Arrêt du programmeur ❹ pendant **3 secondes**. L'indication "Arrêt programmeur" disparaît (en ❻), et le réglage du programmeur apparaît (en ❼).
- Sinon, il est possible d'allumer le conditionneur d'air lui-même. La valeur du programmeur apparaît en ❼.



6.2. Pour la télécommande sans fil



- ❶ Pousser le bouton arrêt ou marche (**AUTO STOP** ou **AUTO START**) (Réglage du minuteur).

- Vous pouvez régler l'heure lorsque le symbole suivant clignote.
Minuteur d'arrêt : **A** **⌚**-**○** clignote.
Minuteur de mise en marche : **A** **⌚**-**|** clignote.

- ❷ Utiliser les boutons **h** et **min** pour régler l'heure.

- ❸ Annuler le minuteur.

Pour annuler le minuteur d'arrêt, pousser le bouton **AUTO STOP** **⌚**-**○** .

Pour annuler le minuteur de marche, pousser le bouton **AUTO START** **⌚**-**|** .

- il est possible de combiner les minuteurs marche et arrêt (ON et OFF).
- Si l'on pousse le bouton marche/arrêt ❶ ON/OFF de la télécommande alors que le minuteur est actif, l'appareil annulera les minuteurs.
- Si l'horloge n'a pas été mise à l'heure, il n'est pas possible d'utiliser le minuteur.

7. Autres fonctions

7.1. Verrouiller les boutons de la télécommande (limite de fonctionnement d'opération)

- Vous pouvez verrouiller les boutons de la télécommande si vous le souhaitez. Vous pouvez utiliser la sélection de fonction de la télécommande pour sélectionner le type de verrouillage. (Pour de plus amples informations sur comment sélectionner ce verrouillage, voyez la section 8, paragraphe [4]-2 (1).)

Vous pouvez utiliser spécifiquement l'un ou l'autre des verrouillages ci-dessous.

- ❶ Blocage de tous les boutons:

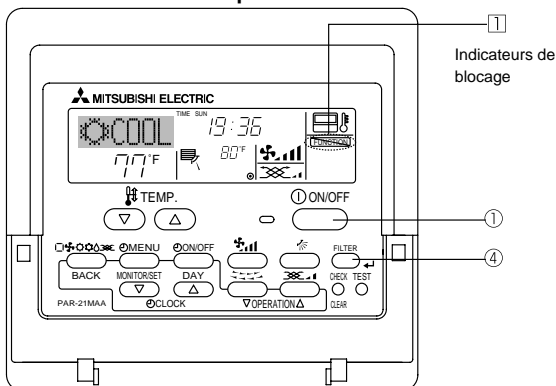
Bloque tous les boutons de la télécommande.

- ❷ Blocage de tout sauf ON/OFF (Marche/Arrêt):

Bloque tous les boutons autres que ON/OFF.

Remarque:

L'indicateur "verrouillé" apparaît à l'écran pour indiquer que les boutons sont actuellement bloqués.



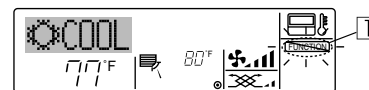
<Comment bloquer les boutons>

1. Tout en pressant le bouton Filter ❹, maintenez appuyé le bouton ON/OFF ❶ pendant 2 secondes. L'indicateur "verrouillé" apparaît à l'écran (en ❶), indiquant que le verrouillage est enclenché.

- * Si le verrouillage a été désactivé pour la sélection des fonctions, l'écran affichera le message "indisponible" quand vous appuyez sur les boutons de la manière indiquée ci-dessus.



- Si vous appuyez sur un bouton bloqué, l'indication "Verrouillé" (en ❶) clignotera à l'écran.



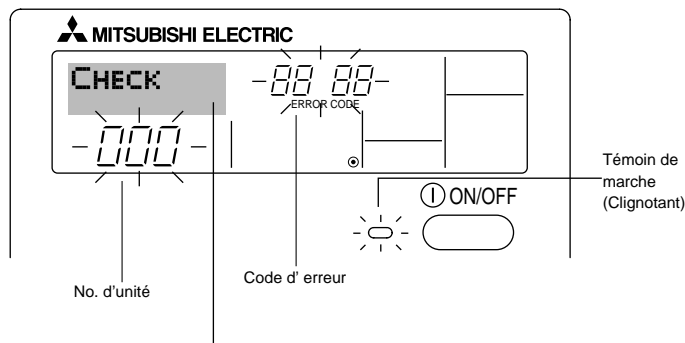
<Comment débloquer les boutons>

1. Tout en pressant le bouton Filter ❹, maintenez appuyé le bouton ON/OFF ❶ pendant 2 secondes de manière à ce que l'indication "verrouillé" disparaisse de l'écran (en ❶).



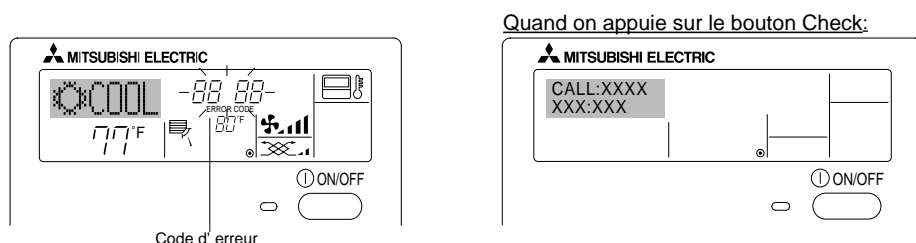
7. Autres fonctions

7.2. Indication des codes d'erreur



Si vous avez entré un numéro de téléphone à appeler en cas de problème, l'écran affiche ce numéro. (Vous pouvez effectuer ce réglage sous la sélection des fonctions. Pour de plus amples informations, reportez-vous section 8.)

- Si le voyant ON et le code d'erreur clignotent: Cela signifie que le conditionneur d'air est hors service et que le fonctionnement est arrêté (et qu'il ne peut être relancé). Notez le numéro d'unité et le code d'erreur, puis éteignez l'alimentation du conditionneur et appelez votre fournisseur ou votre technicien de maintenance.



- Si seul le code d'erreur clignote (alors que le témoin de marche reste allumé): L'opération continue, mais il se peut que le système ait un problème. Dans ce cas, vous devez noter le code d'erreur, puis appeler votre fournisseur ou votre technicien pour lui demander son avis.

- * Si vous avez entré un numéro de téléphone à appeler en cas de problème, appuyez sur le bouton Check pour l'afficher à l'écran. (Vous pouvez effectuer ce réglage sous la sélection des fonctions. Pour de plus amples informations, reportez-vous section 8.)

8. Sélection des fonctions

Sélection des fonctions de la commande à distance

Le réglage des fonctions de la commande suivantes peut être modifié à l'aide du mode de sélection des fonctions de la commande à distance. Modifiez le réglage au besoin.

| Elément 1 | Elément 2 | Item 3 (contenu de réglage) |
|--------------------------------------------------------|---------------------------------------------------------------------------------------------------------------------|-------------------------------------------------------------------------------------------------------------------------------------------------------------------------------------------------------------------------------------------------------------|
| 1. Modification de la langue ("CHANGE LANGUAGE") | Réglage des langues d'affichage | <ul style="list-style-type: none"> • L'affichage en plusieurs langues est possible |
| 2. Limitation des fonctions ("SELECTION FONCTIONS") | (1) Réglage de la limitation des fonctions de fonctionnement (verrouillage de fonctionnement) ("BLOCAGE FONCTIONS") | <ul style="list-style-type: none"> • Réglage de la plage de limitation de fonctionnement (verrouillage de fonctionnement) |
| | (2) Utilisation du réglage du mode automatique ("SELECTION DU MODE AUTO") | <ul style="list-style-type: none"> • Activation ou désactivation du mode de fonctionnement "automatique" |
| | (3) Réglage de la limitation de la plage de températures ("LIMITATION TEMPERATURE") | <ul style="list-style-type: none"> • Réglage de la plage de températures ajustable (maximum, minimum) |
| 3. Sélection des modes ("SELECTION DU MODE") | (1) Réglage de la commande à distance principale/secondaire ("TELCOMMANDE MAITRE/ESCLAVE") | <ul style="list-style-type: none"> • Sélection de la commande à distance principale ou secondaire * Lorsque deux commandes à distance sont connectées à un groupe, l'une des deux doit être réglée en tant que commande secondaire. |
| | (2) Utilisation du réglage de l'horloge ("AFFICHAGE HORLOGE") | <ul style="list-style-type: none"> • Activation ou désactivation de la fonction d'horloge |
| | (3) Réglage de la fonction de minuterie ("PROG HEBDO MADAIRE") | <ul style="list-style-type: none"> • Réglage du type de minuterie |
| | (4) Réglage du numéro à contacter en cas d'erreur ("CALL.") | <ul style="list-style-type: none"> • Affichage du numéro à contacter en cas d'erreur • Réglage du numéro de téléphone |
| 4. Modification de l'affichage ("AFFICHAGE SOUS MENU") | (1) Réglage de l'affichage de la température °C/°F ("TEMPERATURE °C/°F") | <ul style="list-style-type: none"> • Réglage de l'unité de température (°C ou °F) à afficher |
| | (2) Réglage de l'affichage de la température de l'air d'aspiration ("TEMPERATURE AMBIANTE") | <ul style="list-style-type: none"> • Activation ou désactivation de l'affichage de la température de l'air (d'aspiration) intérieur |
| | (3) Réglage de l'affichage du refroidissement/chauffage automatique ("AFFICHAGE AUTO F/C") | <ul style="list-style-type: none"> • Activation ou désactivation de l'affichage "Cooling" (Refroidissement) ou "Heating" (Chauffage) pendant le fonctionnement en mode automatique |

8. Sélection des fonctions

[Organigramme de sélection des fonctions]

Langue par défaut (Anglais)

Affichage normal (affichage lorsque le climatiseur ne fonctionne pas)

Maintenez la touche (E) enfoncée et appuyez sur la touche (D) pendant deux secondes.

Maintenez la touche (E) enfoncée et appuyez sur la touche (D) pendant deux secondes.

Mode de sélection des fonctions de la commande à distance

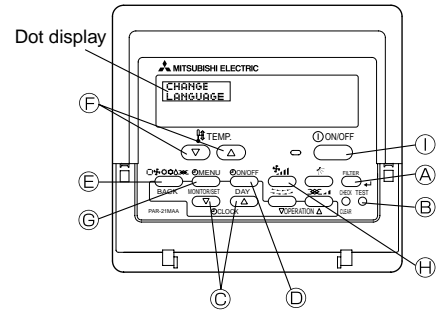
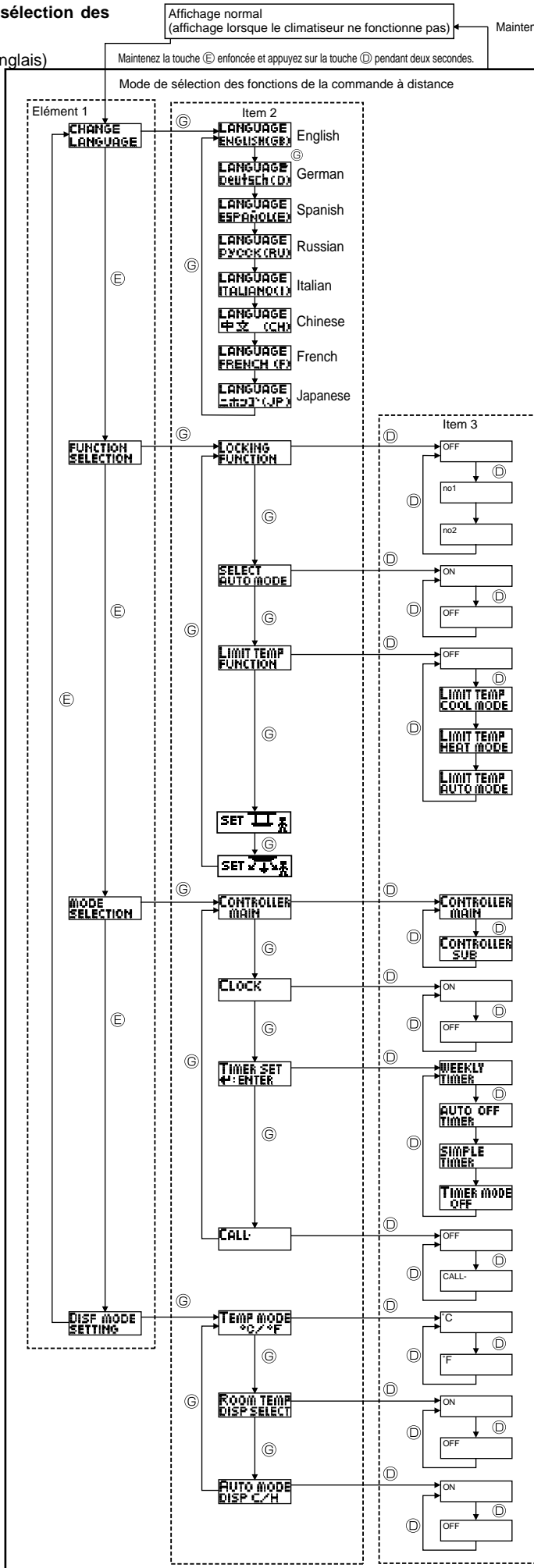
- (E) Appuyez sur la touche "operation mode" (mode de fonctionnement).
- (G) Appuyez sur la touche "TIMER MENU" (MENU DE LA MINUTERIE).
- (D) Appuyez sur la touche "TIMER ON/OFF" (MINUTERIE MARCHE/ARRÊT).

Modification de la langue

Sélection des fonctions

Sélection des modes

Modification de l'affichage



- Le paramétrage de verrouillage des opérations est inactif. (Valeur de paramétrage initiale)
- Le paramétrage de verrouillage des opérations est actif sauf pour les touche "On/Off" (Marche/Arrêt).
- Le paramétrage de verrouillage des opérations concerne toutes les touches.
- Le mode automatique s'affiche lorsque le mode de fonctionnement est sélectionné. (Valeur de paramétrage initiale)
- Le mode automatique ne s'affiche pas lorsque le mode de fonctionnement est sélectionné.
- Les limites de la plage de température sont inactives. (Valeur de paramétrage initiale)
- La plage de température peut être modifiée en mode de refroidissement/ séchage.
- La plage de température peut être modifiée en mode de chauffage.
- La plage de température peut être modifiée en mode automatique.
- Mode d'opération du panneau du filtre automatique
Il n'est pas nécessaire de régler ce mode. Veuillez consulter le MANUEL D'OPÉRATION des parties optionnelles (panneau) pour plus de détails.
- Mode de direction du courant d'air fixe
Il n'est pas nécessaire de régler ce mode. Veuillez consulter le MANUEL D'OPÉRATION de l'appareil intérieur pour plus de détails.
- La télécommande deviendra alors la commande principale. (Valeur de paramétrage initiale)
- La télécommande deviendra alors la commande auxiliaire.
- La fonction horloge peut être utilisée. (Valeur de paramétrage initiale)
- La fonction horloge ne peut pas être utilisée.
- La minuterie hebdomadaire peut être utilisée. (Valeur de paramétrage initiale)
- La minuterie "Auto off" (Arrêt auto) peut être utilisée.
- La minuterie simple peut être utilisée.
- Le mode minuterie ne peut pas être utilisé.
- Les numéros programmés ne s'affichent pas en cas d'erreur. (Valeur de paramétrage initiale)
- Les numéros programmés s'affichent en cas d'erreur.
- La température de l'appareil est affichée en °C. (Valeur de paramétrage initiale)
- La température de l'appareil est affichée en °F.
- La température de l'air de la pièce est affichée. (Valeur de paramétrage initiale)
- La température de l'air de la pièce n'est pas affichée.
- Le mode "Automatic cooling" (refroidissement auto) ou "Automatic heating" (chauffage auto) s'affiche en mode automatique. (Valeur de paramétrage initiale)
- Seul "Automatic" s'affiche en mode automatique.

8. Sélection des fonctions

[Réglage détaillé]

[4]-1. Réglage CHANGE LANGUAGE (Modification de la langue)

La langue d'affichage de l'écran à pixels peut être sélectionnée.

- Appuyez sur la touche [⏏ MENU] ⑥ pour modifier la langue.
 - Anglais (GB), ② Allemand (D), ③ Espagnol (E), ④ Russe (RU),
 - Italien (I), ⑥ Chinois (CH), ⑦ Français (F), ⑧ Japonais (JP)

Consultez le tableau d'affichage par point.

[4]-2. Limitation des fonctions

(1) Réglage de la limitation des fonctions de fonctionnement (verrouillage de fonctionnement)

- Pour commuter le réglage, appuyez sur la touche [⏏ ON/OFF] ⑥.
 - no1 :Le réglage du verrouillage de fonctionnement est appliqué à toutes les touches autres que la touche [⏏ ON/OFF].
 - no2 :Le réglage du verrouillage de fonctionnement est appliqué à toutes les touches.
 - OFF (valeur de réglage initial):
Le réglage du verrouillage de fonctionnement n'est pas appliqué.
- * Pour appliquer le réglage du verrouillage de fonctionnement à l'écran normal, il est nécessaire d'appuyer sur les touches (Appuyez simultanément sur les touches [FILTER] et [⏏ ON/OFF] en même temps et les maintenir enfoncées pendant deux secondes.) sur l'écran normal après avoir effectué le réglage ci-dessus.

(2) Utilisation du réglage du mode automatique

Lorsque la commande à distance est connectée à l'appareil disposant du mode de fonctionnement automatique, les réglages suivants peuvent être effectués.

- Pour commuter le réglage, appuyez sur la touche [⏏ ON/OFF] ⑥.
 - ON (valeur de réglage initial):
Le mode automatique s'affiche lorsque ce mode de fonctionnement est sélectionné.
 - OFF:
Le mode automatique ne s'affiche pas lorsque ce mode de fonctionnement est sélectionné.

(3) Réglage de la limitation de la plage de températures

Une fois ce réglage effectué, la température peut être modifiée dans la plage définie.

- Pour commuter le réglage, appuyez sur la touche [⏏ ON/OFF] ⑥.
 - LIMITE TEMP MODE FROID:
Le mode de la plage de températures peut être modifié en mode refroidissement/déshumidification.
 - LIMITE TEMP MODE CHAUD:
Le mode de la plage de températures peut être modifié en mode chauffage.
 - LIMITE TEMP MODE AUTO:
Le mode de la plage de températures peut être modifié en mode automatique.
 - OFF (programmation initiale):
La limitation de la plage de températures n'est pas active.
- * Lorsqu'un réglage autre que OFF est sélectionné, le réglage de la limitation de la plage de températures des modes refroidissement, chauffage et automatique s'effectue en même temps. Toutefois, la plage ne peut pas être limitée lorsque la plage de températures réglée n'a pas été modifiée.
- Pour augmenter ou diminuer la température, appuyez sur la touche [TEMP. (▽) ou (△)] ⑥.
- Pour commuter entre le réglage maximal et minimal, appuyez sur la touche [TEMP. (▽) ou (△)] ⑥. Le réglage sélectionné clignote et la température peut être réglée.
- Plage réglable
Mode refroidissement/déshumidification:
Limite inférieure: 19°C~30°C, 67°F~87°F
Limite supérieure: 30°C~19°C, 87°F~67°F

Mode chauffage:

Limite inférieure: 17°C~28°C, 63°F~83°F
Limite supérieure: 28°C~17°C, 83°F~63°F

Mode automatique:

Limite inférieure: 19°C~28°C, 67°F~83°F
Limite supérieure: 28°C~19°C, 83°F~67°F

[4]-3. Réglage de la sélection des modes

(1) Réglage de la commande à distance principale/secondaire

- Pour commuter le réglage, appuyez sur la touche [⏏ ON/OFF] ⑥.
 - Maitre: La commande devient la commande principale.
 - Esclave: La commande devient la commande secondaire.

(2) Utilisation du réglage de l'horloge

- Pour commuter le réglage, appuyez sur la touche [⏏ ON/OFF] ⑥.
 - ON: La fonction d'horloge peut être utilisée.
 - OFF: La fonction d'horloge ne peut pas être utilisée.

(3) Réglage de la fonction de minuterie

- Pour commuter le réglage, appuyez sur la touche [⏏ ON/OFF] ⑥ (Choisissez l'une des fonctions suivantes).
 - PROG HEBDO MADAIRE (Valeur de réglage initial):
La minuterie hebdomadaire peut être utilisée.
 - PROG HORAIRE ARRET AUTO:
L'arrêt différé automatique peut être utilisé.
 - PROG HORAIRE SIMPLIFIE:
La minuterie simple peut être utilisée.
 - PROG HORAIRE INACTIF:
Le mode de minuterie ne peut pas être utilisé.
- * Lorsque l'utilisation du réglage de l'horloge est définie sur OFF, la fonction "PROG HEBDO MADAIRE" ne peut pas être utilisée.

(4) Réglage du numéro à contacter en cas d'erreur

- Pour commuter le réglage, appuyez sur la touche [⏏ ON/OFF] ⑥.
 - CALL OFF:
Les numéros à contacter définis ne s'affichent pas en cas d'erreur.
 - CALL **** * * * * *:
Les numéros à contacter définis s'affichent en cas d'erreur.
CALL_ :
Le numéro de contact peut être réglé quand l'affichage est indiqué comme ci-dessus.
- Réglage des numéros à contacter
Pour régler les numéros à contacter, effectuez la procédure suivante. Déplacez le curseur clignotant pour régler les nombres. Appuyez sur la touche [TEMP. (▽) and (△)] ⑥ pour déplacer le curseur vers la droite (gauche). Appuyez sur la touche [⏏ ON/OFF] ⑥ pour régler les numéros.

[4]-4. Réglage de l'affichage

(1) Réglage de l'affichage de la température °C/°F

- Pour commuter le réglage, appuyez sur la touche [⏏ ON/OFF] ⑥.
 - °C: L'unité de température °C est utilisée.
 - °F: L'unité de température °F est utilisée.

(2) Réglage de l'affichage de la température de la pièce

- Pour commuter le réglage, appuyez sur la touche [⏏ ON/OFF] ⑥.
 - ON : La température de l'air d'aspiration s'affiche.
 - OFF: La température de l'air d'aspiration ne s'affiche pas.

(3) Réglage de l'affichage du refroidissement/chauffage automatique

- Pour commuter le réglage, appuyez sur la touche [⏏ ON/OFF] ⑥.
 - ON:
L'une des fonctions "Automatic cooling" (Refroidissement automatique) ou "Automatic heating" (Chauffage automatique) s'affiche en mode automatique.
 - OFF:
Seule la fonction "Automatic" (Automatique) s'affiche en mode automatique.

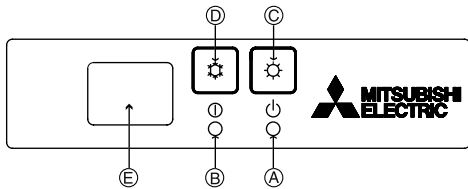
8. Sélection des fonctions

[Tableau d'affichage par point]

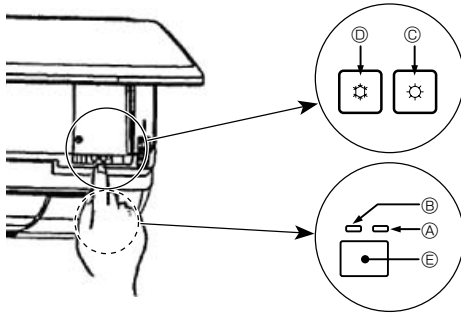
| Langue par défaut | English | German | Spanish | Russian | Italian | Chinese | French | Japanese | |
|---------------------------|-------------------------------|-----------------------|------------------------|----------------------|---------------------------|--------------|------------------------|---------------|-----|
| Attendre le démarrage | PLEASE WAIT | ← | ← | ← | ← | ← | ← | ← | |
| Attendre le démarrage | Refroidissement | COOL | Kühlen | FRÍO | Холод | COOL | FROID | 冷房 | |
| | Assèchement | DRY | Trocknen | DESHUMIDIFICACIÓN | Сушка | DRY | DESHU | ドライ | |
| | Chauffage | HEAT | Heizen | CALOR | Тепло | HEAT | CHAUD | 暖房 | |
| | Automatique | AUTO | AUTO | AUTO MÁTICO | Автомат | AUTO | AUTO | 自動 | |
| | Automatique | COOL | Kühlen | FRÍO | Холод | COOL | FROID | 冷房 | |
| | Automatique (Refroidissement) | HEAT | Heizen | CALOR | Тепло | HEAT | CHAUD | 暖房 | |
| | Soufflerie | FAN | Lüfter | VENTILACIÓN | Вент | VENTILAZIONE | 送风 | VENTILATION | 送風 |
| | Ventilation | VENTILATION | Gebälsebetrieb | VENTILACIÓN | Вентиляция | ARIA ESTERNA | 换气 | VENTILATION | 換気 |
| | Attente (Pré-chauffage) | STAND BY | STAND BY | CALENTANDO | ОБОГРЕВ ПАУЗА | STAND BY | 准备中 | PRE CHAUFFAGE | 準備中 |
| Dégivrage | DEFROST | Abtauen | DESCONGELACIÓN | ОТТАВЛИВАНИЕ | SPRINAMENTO | 除霜中 | DEGIVRAGE | 霜取中 | |
| Température définie | SET TEMP | TEMP einstellen | TEMP. CONSIGNA | ЦЕЛЕВАЯ ТЕМПЕРАТУРА | IMPOSTAZIONE TEMPERTURA | 设定温度 | REGLAGE TEMPERATURE | 設定温度 | |
| Vitesse du ventilateur | FAN SPEED | Lüftergeschwindigkeit | VELOCIDAD VENTILADOR | СКОРОСТЬ ВЕНТИЛЯТОРА | VELOCITA' VENTILATORE | 风速 | VITESSE DE VENTILATION | 風速 | |
| Touche indisponible | NOT AVAILABLE | nicht verfügbar | NO DISPONIBLE | НЕ ДОСТУПНО | NON DISPONIBILE | 无效按钮 | NON DISPONIBILE | 無効ボタン | |
| Contrôle (Erreur) | CHECK | Prüfen | COMPROBAR | ПРОВЕРКА | CHECK | 検査 | CONTROLE | 点検 | |
| Marche d'essai | TEST RUN | Testbetrieb | TEST FUNCIONAMIENTO | ТЕСТОВЫЙ ЗАПУСК | TEST RUN | 试运行 | TEST | 試運転 | |
| Auto-contrôle | SELF CHECK | Selbst-diagnose | AUTO REVISIÓN | САМОДИАГНОСТИКА | SELF CHECK | 自我诊断 | AUTO CONTROL | 自己診断 | |
| Sélection des fonctions | FUNCTION SELECTION | Funktion auswählen | SELECCIÓN DE FUNCIONES | ВЫБОР ФУНКЦИИ | SELEZIONE FUNZIONI | 功能选择 | SELECTION FONCTIONS | メニュー選択 | |
| Réglage de la ventilation | SETTING OF VENTILATION | Lüfterstufen wählen | CONFIG. VENTILACIÓN | НАСТРОЙКА ВЕНТУСТАНА | IMPOSTAZIONE ARIA ESTERNA | 换气设定 | SELECTION VENTILATION | 換気設定 | |

| Langue par défaut | English | German | Spanish | Russian | Italian | Chinese | French | Japanese |
|---------------------------------------------------------------|-----------------------|----------------------------|-------------------------|--------------------------|---------------------------|-------------|-------------------------|-----------------|
| Modification de la langue | CHANGE LANGUAGE | ← | ← | ← | ← | ← | ← | ← |
| Sélection des fonctions | FUNCTION SELECTION | Funktion auswählen | SELECCIÓN DE FUNCIONES | ВЫБОР ФУНКЦИИ | SELEZIONE FUNZIONI | 功能限制 | SELECTION FONCTIONS | メニュー制限 |
| Blocage des fonctions | LOCKING FUNCTION | Sperrfunktion | FUNCION BLOQUEADA | ФУНКЦИЯ БЛОКИРОВКИ | BLOCCO FUNZIONI | 操作限制 | BLOCAGE FONCTIONS | 操作ロック |
| Sélection du mode automatique | SELECT AUTO MODE | Auswahl auto Betrieb | SELECCIÓN MODO AUTO | ВЫБОР РЕЖИМА АВТО | SELEZIONE MODO AUTO | 自动模式 | SELECTION DU MODO AUTO | 自動モード |
| Limites de la plage de température | LIMIT TEMP FUNCTION | Limit Temp Funktion | LIMIT TEMP CONSIGNA | ОГРАНИЧЕНИЕ УЛТ.ТЕМПЕРАТ | LIMITAZIONE TEMPERATURA | 温度限制 | LIMITATION TEMPERATURE | 温度制限 |
| Limites de température mode refroidissement | LIMIT TEMP COOL MODE | Limit Kühl Temp | LIMIT TEMP MODO FRÍO | ОГРАНИЧЕНО ОХЛАЖДЕНИЕ | LIMITAZIONE MODO COOL | 制冷范围 | LIMITE TEMP MODO FROID | 制冷冷房 |
| Limites de température mode chauffage | LIMIT TEMP HEAT MODE | Limit Heiz Temp | LIMIT TEMP MODO CALOR | ОГРАНИЧЕН ОБОГРЕВ | LIMITAZIONE MODO HEAT | 制热范围 | LIMITE TEMP MODO CHAUD | 制热暖房 |
| Limites de température mode auto | LIMIT TEMP AUTO MODE | Limit Auto Temp | LIMIT TEMP MODO AUTO | ОГРАНИЧЕН РЕЖИМ АВТО | LIMITAZIONE MODO AUTO | 自动范围 | LIMITE TEMP MODO AUTO | 制自动 |
| Sélection du mode | MODE SELECTION | Betriebsart wählen | SELECCIÓN DE MODO | ВЫБОР РЕЖИМА | SELEZIONE MODO | 基本模式 | SELECTION DU MODO | 基本メニュー |
| Réglage télécommande PRINCIPALE | CONTROLLER MAIN | Haupt Controller | CONTROL PRINCIPAL | ОСНОВНОЙ ПУЛЬТ | CONTROLLO MAIN | 遥控主 | TELCOMMANDE MAITRE | リモコン主側 |
| Réglage télécommande AUXILIAIRE | CONTROLLER SUB | Neben Controller | CONTROL SECUNDARIO | ДОПОЛНИТЕЛЬНЫЙ ПУЛЬТ | CONTROLLO SUB | 遥控辅 | TELCOMMANDE ESCLAVE | リモコン主側 |
| Réglage de l'horloge | CLOCK | Uhr | RELOJ | Часы | OROLOGIO | 时钟 | AFFICHAGE HORLOGE | 時計 |
| Réglage jour/heure | TIME SET +:ENTER | Uhr stellen +:einstellen | CONFIG RELOJ +:CONFIG | Часы:УСТ. +:ВВОД | OROLOGIO +:ENTER | 时间 +:ENTER | HORLOGE +:ENTRER | トイセツテイ +:カクテイ |
| Réglage minuterie | TIMER SET +:ENTER | Zeitschaltuhr +:einstellen | TEMPORIZA -DOR +:CONFIG | ТАЙМЕР:УСТ. +:ВВОД | TIMER +:ENTER | 定时器 +:ENTER | PROG HORAIRE +:ENTRER | タイマーセツテイ +:カクテイ |
| Contrôle minuterie | TIMER MONITOR | Uhrzeit Anzeige | VISUALIZAR TEMPORIZAD. | ПРОСМОТР ТАЙМЕРА | VISUALIZ TIMER | 定时器状态 | AFFICHAGE PROG HORAIRE | タイマーモニター |
| Minuterie hebdomadaire | WEEKLY TIMER | Wochenzeit schalt Uhr | TEMPORIZA -DOR SEMANAL | НЕДЕЛЬНЫЙ ТАЙМЕР | TIMER SETTIMANALE | 每周定时器 | PROG HERDO MADAIRE | タイマー週間 |
| Mode de minuterie "off" (Arrêt) | TIMER MODE OFF | Zeitschaltuhr AUS | TEMPORIZA -DOR APAGADO | ТАЙМЕР ВЫКЛ. | TIMER OFF | 定时器无效 | PROG HORAIRE INACTIF | タイマー無効 |
| Minuterie "Auto Off" (Arrêt auto) | AUTO OFF TIMER | Auto Zeit funktion AUS | APAGADO AUTOMÁTICO | АВТООТКЛЮЧ. ПО ТАЙМЕРУ | AUTO OFF TIMER | 解除定时 | PROG HORAIRE ARRET AUTO | タイマーオートオフ |
| Minuterie simple | SIMPLE TIMER | Einfache Zeitfunktion | TEMPORIZA -DOR SIMPLE | ПРОСТОЙ ТАЙМЕР | TIMER SEMPLIFICATO | 简易定时器 | PROG HORAIRE SIMPLIFE | タイマーカンイ |
| Paramétrage des numéros en situation d'erreur | CALL | ← | ← | ← | ← | ← | ← | ← |
| Modification de l'affichage | DISP MODE SETTING | Anzeige Betriebsart | MOSTRAR MODO | НАСТРОЙКА ИЛИ РЕЖИМА | IMPOSTAZIONE MODO DISPLAY | 转换表示 | AFFICHAGE SOUS MENU | 表示切替 |
| Réglage de l'affichage de la température en °C/°F | TEMP MODE °C/°F | Wechsel °C/°F | TEMPGRADOS °C/°F | ЕДИН.ТЕМПЕРАТ °C/°F | TEMPERATURA °C/°F | 温度 °C/°F | TEMPERATURE °C/°F | 温度 °C/°F |
| Réglage de l'affichage de la température de l'air de la pièce | ROOM TEMP DISP SELECT | Raum Temp gewählt | MOSTRAR TEMP. | ПОКАЗЫВАТЬ ТЕМП.В КОМ. | TEMPERATURA AMBIENTE | 吸入温度 | TEMPERATURE AMBIANTE | スィコンキョウ |
| Réglage de l'affichage refroidissement/chauffage automatique | AUTO MODE DISP C/H | Auto Betrieb C/H | MOSTRAR F/C EN AUTO | ИЛИ Т/Х В РЕЖИМЕ АВТО | AUTO C/H | 自动表示 | AFFICHAGE AUTO F/C | 自動表示 |

9. Fonctionnement d'urgence de la télécommande sans fil



(Pour PKFY-P-NHMU-E)



Lorsqu'il n'est pas possible d'utiliser la télécommande

Lorsque les piles de la télécommande sont usées ou lorsque la télécommande ne fonctionne pas correctement, vous pouvez activer le mode de fonctionnement d'urgence à l'aide des touches d'urgence situées.

- Ⓐ Témoin DEFROST/STAND BY (dégivrage/veilleuse)
- Ⓑ Témoin de fonctionnement
- Ⓒ Interrupteur de fonctionnement d'urgence (chauffage)
- Ⓓ Interrupteur de fonctionnement d'urgence (refroidissement)
- Ⓔ Capteur

Opération de mise en marche

- Appuyez plus de 2 secondes sur la touche Ⓓ pour utiliser le mode de refroidissement.
- Appuyez plus de 2 secondes sur la touche Ⓒ pour utiliser le mode de chauffage.

Remarque:

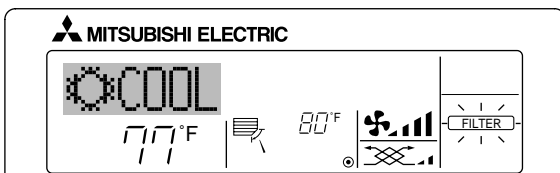
- Les détails concernant le mode d'urgence sont tels qu'indiqués ci-dessous. Les détails concernant le mode de refroidissement d'urgence sont tels qu'indiqués ci-dessous.

| Mode de fonctionnement | Refroidissement (COOL) | Chauffage (HEAT) |
|------------------------|------------------------|-------------------|
| Température programmée | 24°C, 75°F | 24°C, 75°F |
| Vitesse de ventilation | Elevée (High) | Elevée (High) |
| Sens de la soufflerie | Horizontal | Vers le bas 4 (5) |

Pour arrêter le fonctionnement

- Pour arrêter l'appareil, appuyez plus de 2 secondes sur la touche Ⓓ ou sur la touche Ⓒ.

10. Entretien et nettoyage



■ Affiche qu'il faut nettoyer le filtre.

Le nettoyage du filtre doit être confié à du personnel qualifié.

■ Pour réinitialiser l'affichage "FILTER" (filtre)

Si vous appuyez deux fois successives sur la touche [FILTER] (filtre) après avoir nettoyé le filtre, l'affichage s'éteint puis est réinitialisé.

Remarque:

- Si deux types d'appareils intérieurs (ou plus) sont contrôlés, la période entre les nettoyages dépend du type de filtre. Si vous devez nettoyer le filtre de l'appareil principal, "FILTER" (filtre) s'affiche. Si l'affichage s'éteint, la période cumulée est réinitialisée.
- "FILTER" (filtre) indique la période entre les nettoyages en heure si le climatiseur est utilisé dans des conditions d'air intérieur normales. Toutefois, le degré d'encrassement du filtre dépend des conditions environnementales ; nettoyez-le donc en conséquence.
- La période cumulée avant le nettoyage du filtre varie selon les modèles.
- Cette indication est indisponible pour la télécommande sans fil.

▶ Nettoyage des filtres

- Nettoyer les filtres avec un aspirateur. Si vous ne possédez pas d'aspirateur, battre les filtres contre un objet dur afin de les secouer et de retirer toutes les saletés et la poussière.
- Si les filtres sont particulièrement sales, les laver à l'eau tiède. Veiller à rincer soigneusement toute trace de détergent et laisser sécher les filtres complètement avant de les remonter dans le climatiseur.

⚠ Précaution:

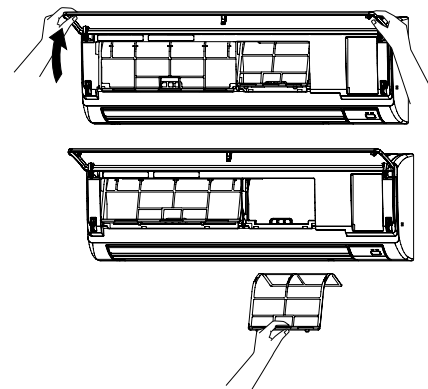
- Ne jamais laisser sécher les filtres au soleil ni les sécher en utilisant une source de chaleur comme un chauffage électrique : vous risqueriez de les déformer.
- Ne jamais laver les filtres à l'eau chaude (au-dessus de 50°C, 122°F) car vous risqueriez de les faire gondoler.
- Veiller à ce que les filtres à air soient toujours en place. La mise en marche de l'appareil alors que les filtres sont retirés pourrait en effet être à l'origine d'un mauvais fonctionnement.
- Avant de commencer le nettoyage, arrêter l'appareil et couper l'alimentation.
- Les appareils intérieurs sont équipés de filtres servant à extraire les poussières de l'air aspiré. Nettoyer les filtres selon les méthodes illustrées ci-après.

▶ Retrait du filtre

⚠ Précaution:

- Lors du retrait du filtre, se protéger les yeux de la poussière. Si vous devez monter sur le rebord d'une fenêtre pour effectuer l'opération, attention de ne pas tomber.
- Une fois le filtre retiré, ne pas toucher les pièces métalliques internes de l'appareil intérieur sous peine de blessure.

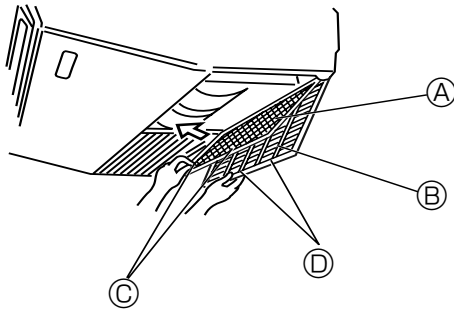
■ PKFY-P-NBMU-E PKFY-P-NHMU-E



- ① Tirez sur les deux coins inférieurs de la grille d'aspiration pour ouvrir la grille, puis levez le filtre.

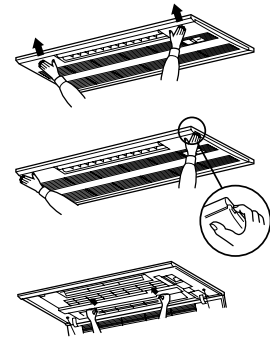
10. Entretien et nettoyage

■ PCFY-P-NKMU-E



- ① Ouvrir la grille d'aspiration.
 - ② Tenir le bouton se trouvant sur le filtre puis tirer le filtre vers le haut dans la direction d'une flèche. Pour replacer le filtre après le nettoyage, assurez-vous d'insérer le filtre jusqu'à ce qu'il soit bien en place dans l'arrêtoir.
- A Filtre B Grille d'aspiration C Bouton D Arrêtoir

■ PMFY-P-NBMU-E



- ① Appuyer sur la touche PUSH sur le bord externe de la grille d'entrée permet d'ouvrir cette dernière.
- ② Pour retirer un filtre comportant une grille d'entrée, tirer le filtre vers l'avant.

11. Guide de dépannage

| En cas de problème: | Voici la solution. (L'appareil fonctionne normalement.) |
|--------------------------------------------------------------------------------------------------------------------------------------------------------------------------------------------------|-------------------------------------------------------------------------------------------------------------------------------------------------------------------------------------------------------------------------------------------------------------------------------------------------------------------------------------------------------------------------------------------------------------------------------------------------------------------------------------------------------------------------|
| Le climatiseur ne chauffe ni ne refroidit correctement. | <ul style="list-style-type: none"> ■ Nettoyez le filtre. (Le débit d'air est réduit lorsque le filtre est sale ou colmaté.) ■ Contrôlez la température et ajustez la température définie en conséquence. ■ Assurez-vous qu'il y a suffisamment d'espace autour de l'appareil extérieur. L'admission ou la sortie d'air de l'appareil intérieur est-elle bloquée ? ■ Une porte ou une fenêtre a-t-elle été laissée ouverte ? |
| Lorsque l'opération de chauffage débute, de l'air chaud n'est pas expulsé immédiatement de l'appareil intérieur. | <ul style="list-style-type: none"> ■ De l'air chaud est expulsé uniquement lorsque l'appareil intérieur est suffisamment chaud. |
| En mode de chauffage, le climatiseur s'arrête avant que la température définie pour la pièce soit atteinte. | <ul style="list-style-type: none"> ■ Lorsque la température extérieure est basse et l'humidité de l'air importante, du givre peut se former sur l'appareil extérieur. Dans ce cas, l'appareil extérieur procède à une opération de dégivrage. Un fonctionnement normal de l'appareil devrait débuter au bout de 10 minutes environ. |
| La direction du débit d'air varie pendant l'opération ou la direction ne peut être définie. | <ul style="list-style-type: none"> ■ En mode de refroidissement, les ailettes se placent automatiquement en position horizontale (basse) au bout d'une (1) heure lorsqu'une direction de débit d'air basse (horizontale) est sélectionnée. Ceci évite la formation d'eau sur les ailettes et prévient tout suintement. ■ En mode de chauffage, les ailettes se placent automatiquement en position horizontale lorsque la température du débit d'air est basse ou pendant le mode de dégivrage. |
| Lorsque la direction du débit d'air est modifiée, les ailettes se déplacent toujours vers le haut et vers le bas au-delà de la position déterminée avant de s'arrêter sur la position souhaitée. | <ul style="list-style-type: none"> ■ Lorsque la direction du débit d'air est modifiée, les ailettes se placent sur la position déterminée après être passées par la position de base. |
| Un bruit d'eau qui ruisselle ou plus rarement un souffle peut être perçu. | <ul style="list-style-type: none"> ■ Ces bruits peuvent être perçus lorsque le réfrigérant circule dans le climatiseur ou lorsque le flux du réfrigérant a été modifié. |
| Un craquement ou un grincement peut être perçu. | <ul style="list-style-type: none"> ■ Ces bruits peuvent être perçus lorsque les pièces du climatiseur frottent les unes contre les autres en raison de l'expansion et de la contraction qui résultent des variations de température. |
| La pièce a une odeur désagréable. | <ul style="list-style-type: none"> ■ L'appareil intérieur aspire de l'air qui contient des gaz produits par les murs, les moquettes et les meubles ainsi que des odeurs véhiculées par les vêtements, puis il les expulse à nouveau dans la pièce. |
| Une buée ou vapeur blanche sort de l'appareil intérieur. | <ul style="list-style-type: none"> ■ Si la température intérieure et l'humidité de l'air sont élevées, cette situation peut se produire en début d'opération. ■ En mode de dégivrage, de l'air froid peut être expulsé et avoir l'apparence de la buée. |

11. Guide de dépannage

| En cas de problème: | Voici la solution. (L'appareil fonctionne normalement.) | | | | | | | | | | | | |
|--------------------------------------------------------------------------------------------------------------------------------------------------------------------------------------------------------------|----------------------------------------------------------------------------------------------------------------------------------------------------------------------------------------------------------------------------------------------------------------------------------------------------------------------------------------------------------------------------------------------------------------------------------------------------------------------------------------------------------------------------------------------------------------------------------------------------------------------------------------------------------------------------------------------------------------------------------------------------------------------------------------------------------------------------------------------------------------------------------------------------------------------------------------------------|---------------------------------------------------|--------------------------------------------------|---------------------------------------------------|--------------------------------------------------|-------------------|---------------------------------------------------|------------------------------------------|-------------------------|-----------------|----------|-----------|-----------|
| De l'eau ou de la vapeur sort de l'appareil extérieur. | <ul style="list-style-type: none"> ■ En mode de refroidissement, de l'eau peut se former et suinter des tuyaux et des raccords froids. ■ En mode de chauffage, de l'eau peut se former et suinter de l'échangeur thermique. ■ En mode de dégivrage, l'eau présent sur l'échangeur thermique s'évapore provoquant ainsi une émission de vapeur d'eau. | | | | | | | | | | | | |
| Le témoin de fonctionnement n'apparaît pas sur l'écran de la télécommande. | <ul style="list-style-type: none"> ■ Mettez l'appareil sous tension. Le signe "●" apparaîtra sur l'écran de la télécommande. | | | | | | | | | | | | |
| Le climatiseur ne fonctionne pas même lorsque l'on appuie sur le bouton ON/OFF. L'affichage du mode de fonctionnement disparaît de la télécommande. Le signe "☒" apparaît sur l'écran de la télécommande. | <ul style="list-style-type: none"> ■ L'alimentation d'appareil intérieur est-elle éteinte ? Allumez l'appareil. ■ Lors du contrôle centralisé, le signe "☒" apparaît sur l'écran de la télécommande et le fonctionnement du climatiseur ne peut être lancé ou arrêté à l'aide de la télécommande. | | | | | | | | | | | | |
| Lorsque le climatiseur est redémarré immédiatement après avoir été éteint, son fonctionnement est bloqué même si la touche "ON/OFF" (Marche/Arrêt) est sollicitée. | <ul style="list-style-type: none"> ■ Patientez trois minutes environ. (Le fonctionnement s'est arrêté pour protéger le climatiseur.) | | | | | | | | | | | | |
| Le climatiseur fonctionne sans que la touche "ON/OFF" (Marche/Arrêt) soit sollicitée. | <ul style="list-style-type: none"> ■ La fonction de marche de la minuterie a-t-elle été réglée ? Appuyez sur la touche "ON/OFF" (Marche/Arrêt) pour l'arrêter. ■ Le climatiseur est-il relié à une télécommande centralisée ? Veuillez consulter les personnes responsables du contrôle du climatiseur. ■ Le signe "☒" apparaît-il sur l'écran de la télécommande ? Veuillez consulter les personnes responsables du contrôle du climatiseur. ■ La fonction de recouvrement auto en cas de coupure d'électricité a-t-elle été réglée ? Appuyez sur la touche "ON/OFF" (Marche/Arrêt) pour l'arrêter. | | | | | | | | | | | | |
| Le climatiseur s'arrête sans que la touche "ON/OFF" (Marche/Arrêt) soit sollicitée. | <ul style="list-style-type: none"> ■ La fonction d'arrêt de la minuterie a-t-elle été réglée ? Appuyez sur la touche "ON/OFF" (Marche/Arrêt) pour relancer l'opération. ■ Le climatiseur est-il relié à une télécommande centralisée ? Veuillez consulter les personnes responsables du contrôle du climatiseur. ■ Le signe "☒" apparaît-il sur l'écran de la télécommande ? Veuillez consulter les personnes responsables du contrôle du climatiseur. | | | | | | | | | | | | |
| Le fonctionnement de la minuterie de la télécommande ne peut pas être réglé. | <ul style="list-style-type: none"> ■ Les paramètres de la minuterie sont-ils invalides ? Si la minuterie peut être réglée, les signes (WEEK LY), (SIMPLE) ou (AU TO OFF) doivent apparaître sur l'écran de la télécommande. | | | | | | | | | | | | |
| Le message "PLEASE WAIT" (VEUILLEZ PATIENTER) apparaît sur l'écran de la télécommande. | <ul style="list-style-type: none"> ■ Les paramètres initiaux sont en cours d'exécution. Patientez 3 minutes environ. | | | | | | | | | | | | |
| Un code d'erreur apparaît sur l'écran de la télécommande. | <ul style="list-style-type: none"> ■ Les dispositifs de protection ont fonctionné pour protéger le climatiseur. ■ N'essayez pas de réparer cet appareil vous-même. Mettez l'appareil hors tension immédiatement et consultez votre revendeur. Vous devrez fournir au revendeur le nom du modèle et les informations qui apparaissent sur l'écran de la télécommande. | | | | | | | | | | | | |
| Un bruit de goutte à goutte ou de moteur qui tourne peut être perçu. | <ul style="list-style-type: none"> ■ A l'arrêt de l'opération de refroidissement, la pompe de vidange se met en marche puis s'arrête. Patientez 3 minutes environ. | | | | | | | | | | | | |
| Le bruit perçu est supérieur aux caractéristiques sonores. | <ul style="list-style-type: none"> ■ Le niveau sonore du fonctionnement en intérieur est affecté par l'acoustique de la pièce en question, comme indiqué dans le tableau ci-dessous. Il sera plus élevé que les caractéristiques sonores nominales, car ces dernières sont mesurées dans une pièce sans écho. <table border="1" style="width: 100%; border-collapse: collapse; text-align: center;"> <thead> <tr> <th></th> <th>Pièces présentant une absorption phonique élevée</th> <th>Pièces présentant une absorption phonique normale</th> <th>Pièces présentant une absorption phonique faible</th> </tr> </thead> <tbody> <tr> <td>Exemples de pièce</td> <td>Studio de radio-diffusion, salle de musique, etc.</td> <td>Salle de réception, entrée d'hôtel, etc.</td> <td>Bureau, chambre d'hôtel</td> </tr> <tr> <td>Niveaux sonores</td> <td>3 à 7 dB</td> <td>6 à 10 dB</td> <td>9 à 13 dB</td> </tr> </tbody> </table> | | Pièces présentant une absorption phonique élevée | Pièces présentant une absorption phonique normale | Pièces présentant une absorption phonique faible | Exemples de pièce | Studio de radio-diffusion, salle de musique, etc. | Salle de réception, entrée d'hôtel, etc. | Bureau, chambre d'hôtel | Niveaux sonores | 3 à 7 dB | 6 à 10 dB | 9 à 13 dB |
| | Pièces présentant une absorption phonique élevée | Pièces présentant une absorption phonique normale | Pièces présentant une absorption phonique faible | | | | | | | | | | |
| Exemples de pièce | Studio de radio-diffusion, salle de musique, etc. | Salle de réception, entrée d'hôtel, etc. | Bureau, chambre d'hôtel | | | | | | | | | | |
| Niveaux sonores | 3 à 7 dB | 6 à 10 dB | 9 à 13 dB | | | | | | | | | | |
| Rien n'apparaît sur l'écran de la télécommande sans fil, l'écran est flou, ou l'appareil intérieur ne reçoit aucun signal sauf si la télécommande est éteinte. | <ul style="list-style-type: none"> ■ Les piles sont faibles. Remplacez les piles et appuyez sur la touche "Reset" (Réinitialiser). ■ Si rien n'apparaît suite au remplacement des piles, assurez-vous que les piles sont insérées conformément à la polarité indiquée (+, -). | | | | | | | | | | | | |
| Le témoin de fonctionnement situé près du récepteur de la télécommande sans fil sur l'appareil intérieur clignote. | <ul style="list-style-type: none"> ■ La fonction d'auto-diagnostic a fonctionné pour protéger le climatiseur. ■ N'essayez pas de réparer cet appareil vous-même. Mettez l'appareil hors tension immédiatement et consultez votre revendeur. Veuillez fournir au revendeur le nom du modèle. | | | | | | | | | | | | |
| L'appareil intérieur produit de l'air chaud de manière intermittente lorsque le mode de chauffage est désactivé ou lorsque le mode de soufflerie est activé. | <ul style="list-style-type: none"> ■ Lorsqu'un autre appareil intérieur fonctionne en mode chauffage, la valve de contrôle s'ouvre et se referme régulièrement afin de maintenir la stabilité du système de climatisation. Cette opération s'arrête au bout d'un certain temps. * Si cela provoquait une augmentation indésirable de la température, par exemple dans de petites pièces, suspendez temporairement le fonctionnement d'appareil. | | | | | | | | | | | | |

12. Spécifications techniques

■ Série PKFY

| Modèle | | PKFY-P06NBMU-E | PKFY-P08NBMU-E | PKFY-P12NHMU-E | PKFY-P15NHMU-E | PKFY-P18NHMU-E |
|--------------------------------------------------------|-------------------------|-------------------------|----------------|----------------|----------------|----------------|
| Alimentation de l'appareil | | Monophasé 208/230V 60Hz | | | | |
| Capacité | Refroidissement <BTU/h> | 6000 | 8000 | 12000 | 15000 | 18000 |
| | Chauffage <BTU/h> | 6700 | 9000 | 13500 | 17000 | 20000 |
| Dimensions | Hauteur <inch> | 11-5/8 | | | | |
| | Largeur <inch> | 32-1/8 | | 35-3/8 | | |
| | Profondeur <inch> | 8-7/8 | | 9-13/16 | | |
| Poids net <lbs> | | 22 | | 29 | | |
| Débit de la soufflerie (Faible-Moyen2-Moyen1-Elevé) | SEC <CFM> | 170-180-200-210 | | 320-355-390 | 320-370-405 | 320-370-425 |
| | HUMIDE <CFM> | 160-170-180-190 | | 290-320-350 | 290-335-365 | 290-335-380 |
| Niveau de bruit (Faible-Moyen2-Moyen1-Elevé) | | <dB(A)> 32-33-35-36 | | 34-38-42 | 34-38-42 | 36-41-45 |

■ Série PCFY

| Modèle | | PCFY-P15NKMU-E | PCFY-P24NKMU-E | PCFY-P30NKMU-E | PCFY-P36NKMU-E |
|--------------------------------------------------------|-------------------------|-------------------------|-----------------|-----------------|------------------|
| Alimentation de l'appareil | | Monophasé 208/230V 60Hz | | | |
| Capacité | Refroidissement <BTU/h> | 15000 | 24000 | 30000 | 36000 |
| | Chauffage <BTU/h> | 17000 | 27000 | 34000 | 40000 |
| Dimensions | Hauteur <inch> | 9-1/16 | | | |
| | Largeur <inch> | 37-13/16 | 50-3/8 | 63 | |
| | Profondeur <inch> | 26-3/4 | | | |
| Poids net <lbs> | | 53 | 71 | 79 | 84 |
| Débit de la soufflerie (Faible-Moyen2-Moyen1-Elevé) | SEC <CFM> | 350-390-420-460 | 490-530-570-640 | 710-780-880-990 | 740-850-950-1090 |
| | HUMIDE <CFM> | 330-370-400-440 | 470-500-540-610 | 670-740-840-940 | 700-810-900-1040 |
| Niveau de bruit (Faible-Moyen2-Moyen1-Elevé) | | <dB(A)> 29-32-34-36 | 31-33-35-37 | 34-37-40-43 | 36-39-42-44 |

■ Série PMFY

| Modèle | | PMFY-P06NBMU-E | PMFY-P08NBMU-E | PMFY-P12NBMU-E | PMFY-P15NBMU-E |
|--------------------------------------------------------|-------------------------|-------------------------|-----------------|----------------|-----------------|
| Alimentation de l'appareil | | Monophasé 208/230V 60Hz | | | |
| Capacité | Refroidissement <BTU/h> | 6000 | 8000 | 12000 | 15000 |
| | Chauffage <BTU/h> | 6700 | 9000 | 13500 | 17000 |
| Dimensions (Grille) | Hauteur <inch> | 9-1/16 (1-3/16) | | | |
| | Largeur <inch> | 33-5/8 (39-3/8) | | | |
| | Profondeur <inch> | 1/-9/16 (18-1/2) | | | |
| Poids net (Grille) <lbs> | | 31 (7) | | | |
| Débit de la soufflerie (Faible-Moyen2-Moyen1-Elevé) | SEC <CFM> | 230-250-280-300 | 250-280-300-320 | | 270-300-340-370 |
| | HUMIDE <CFM> | 200-220-250-270 | 220-250-270-290 | | 240-270-310-340 |
| Niveau de bruit (Faible-Moyen2-Moyen1-Elevé) | | <dB(A)> 27-30-33-35 | 32-34-36-37 | | 33-35-37-39 |

1. La capacité de refroidissement/chauffage indique la valeur maximale lorsque l'appareil fonctionne dans les conditions suivantes.

Refroidissement : appareil intérieur 27°C DB, 81°F DB/19°C WB, 66°F WB, appareil extérieur 35°C DB, 95°F DB

Chauffage : appareil intérieur 20°C DB, 68°F DB, appareil extérieur 7°C DB, 45°F DB/ 6°C WB, 43°F WB

Plage d'applications

La plage des températures de fonctionnement pour les appareils intérieurs et extérieurs de série Y est celle indiquée ci-dessous.

⚠ Prémunition:

L'utilisation du climatiseur en dehors de cette plage de températures de fonctionnement et de taux d'humidité peut provoquer des dégâts importants.

| Mode | appareil intérieur | appareil extérieur |
|-----------------|--------------------------------|----------------------------------|
| | | PUHY |
| Refroidissement | 15°C - 24°C WB, 59°F - 75°F WB | -5°C - 43°C DB, 23°F - 110°F DB |
| Chauffage | 15°C - 27°C DB, 59°F - 81°F DB | -15°C - 15,5°C WB, 5°F - 60°F WB |

Remarque:

Tant pour les appareils intérieurs qu'extérieurs, nous recommandons une utilisation avec un taux d'humidité relative compris entre 30 et 80%.

⚠ Avertissement:

Si le climatiseur fonctionne sans refroidir ou sans chauffer la pièce (en fonction du modèle), contacter le revendeur car il pourrait alors y avoir une fuite de gaz réfrigérant. Toujours demander au représentant du service technique s'il n'y a pas de fuite de réfrigérant après une intervention technique.

Le réfrigérant présent dans le climatiseur est sûr et normalement il ne doit pas y avoir de fuite. Néanmoins, en cas de fuite à l'intérieur, si le gaz réfrigérant entre en contact avec la partie chauffante d'un chauffage à ventilation, d'un chauffage d'appoint, d'un poêle, etc., il dégagera des substances toxiques.

Contenido

| | | | |
|--------------------------------------------------|----|--------------------------------------------------------------------------|----|
| 1. Medidas de Seguridad..... | 38 | 7. Otras funciones | 47 |
| 2. Nombres de las piezas..... | 38 | 8. Selección de función | 48 |
| 3. Configuración de la pantalla..... | 42 | 9. Funcionamiento de emergencia del controlador remoto inalámbrico | 52 |
| 4. Configuración de día de la semana y hora..... | 42 | 10. Mantenimiento y limpieza | 52 |
| 5. Manejo..... | 42 | 11. Localización de fallos..... | 53 |
| 6. Temporizador..... | 44 | 12. Especificaciones..... | 55 |

1. Medidas de Seguridad

- ▶ Antes de instalar la unidad, asegúrese de haber leído el capítulo de “Medidas de seguridad”.
- ▶ Las “Medidas de seguridad” señalan aspectos muy importantes sobre seguridad. Es importante que se cumplan todos.
- ▶ Antes de conectar el sistema, informe al servicio de suministro o pídale permiso para efectuar la conexión.

Símbolos utilizados en el texto

- ⚠ **Atención:**
Describe precauciones que deben tenerse en cuenta para evitar el riesgo de lesiones o muerte del usuario.
- ⚠ **Cuidado:**
Describe las precauciones que se deben tener para evitar daños en la unidad.

Símbolos utilizados en las ilustraciones

- ⚡: Indica una pieza que debe estar conectada a tierra.

⚠ Atención:

- Para aplicaciones que no están disponibles para el público general.
- La unidad no debe ser instalada por el usuario. Pida a su distribuidor o a una empresa debidamente autorizada que se lo instale. La incorrecta instalación de la unidad puede dar lugar a goteo de agua, descarga eléctrica o fuego.
- No se suba encima ni coloque objetos sobre la unidad.
- No vierta agua sobre la unidad ni la toque con las manos húmedas. Puede producirse una descarga eléctrica.
- No rocíe gases combustibles en las proximidades de la unidad. Puede haber riesgo de incendio.
- No coloque calentadores de gas o cualquier otro aparato de llama abierta expuestos a la corriente de aire descargada por la unidad. Puede dar lugar a una combustión incompleta.
- No extraiga el panel frontal del ventilador de la unidad exterior mientras esté en funcionamiento.

⚠ Cuidado:

- No utilice objetos puntiagudos para apretar los botones ya que podría dañarse el controlador remoto.
- No bloquee ni cubra nunca las tomas y salidas de las unidades interior y exterior.
- No limpie el controlador remoto con gasolina, trapos químicos, etc.
- No utilice la unidad durante mucho rato en ambientes húmedos, p.ej. con una puerta o ventana abierta. Si la unidad funciona en modo de enfriamiento en un lugar con mucha humedad (80% o más) durante mucho rato, la condensación del acondicionador de aire podría caer y mojar o dañar los muebles, etc.

- No intente reparar la unidad ni la cambie de lugar usted mismo.
- Cuando note ruidos o vibraciones que no sean normales, pare la unidad, desconecte la fuente de alimentación y póngase en contacto con su proveedor.
- No inserte nunca dedos, palos, etc. en las tomas o salidas de aire.
- Si detecta olores raros pare la unidad, desconecte el interruptor de red y consulte con su distribuidor. De lo contrario puede haber una rotura, una descarga eléctrica o fuego.
- Este aparato de aire acondicionado NO debe ser utilizado por niños ni por personas inválidas sin el control de una persona adulta.
- Los niños pequeños deben estar vigilados por personas adultas para impedir que jueguen con el equipo de aire acondicionado.
- Si se producen fugas de gas refrigerante, pare la unidad, ventile bien la habitación y avise a su proveedor.

- No toque el deflector de la salida de aire superior ni la compuerta de la salida de aire inferior durante el funcionamiento. De lo contrario podría caer la condensación y la unidad podría detenerse.

Eliminación de la unidad

Cuando deba eliminar la unidad, consulte con su distribuidor.

2. Nombres de las piezas

■ Unidad interior

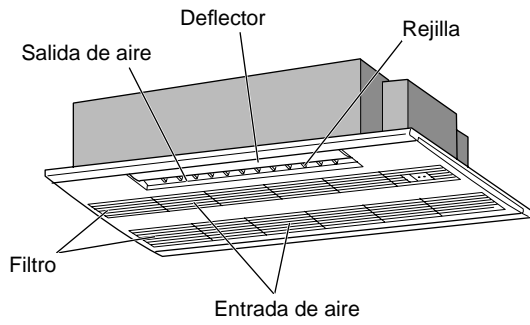
| | | PKFY-P-NBMU-E | PKFY-P-NHMU-E | PMFY-P-NBMU-E | PCFY-P-NKMU-E |
|----------------------------------|-----------------------|---------------|-----------------------|---------------|-----------------------|
| Velocidad del ventilador | | 4 velocidades | 3 velocidades + Auto* | 4 velocidades | 4 velocidades + Auto* |
| Deflector | Pasos | 4 pasos | 5 pasos | 4 pasos | 5 pasos |
| | Oscilación automática | × | ○ | ○ | ○ |
| Rejilla | | Manual | Manual | Manual | Manual |
| Filtro | | Normal | Normal | Normal | Larga duración |
| Indicación de limpieza de filtro | | 100 horas | 100 horas | 100 horas | 2500 horas |

* Esta operación está únicamente disponible utilizando el controlador remoto, con el que se podrá poner la velocidad del ventilador en la opción “Auto”.

2. Nombres de las piezas

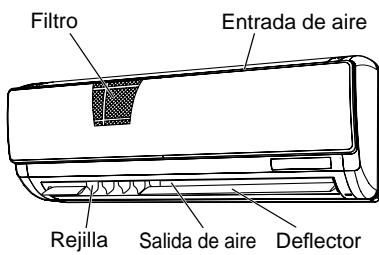
■ PMFY-P-NBMU-E

Modelo empotrado en techo de 1 direcciones



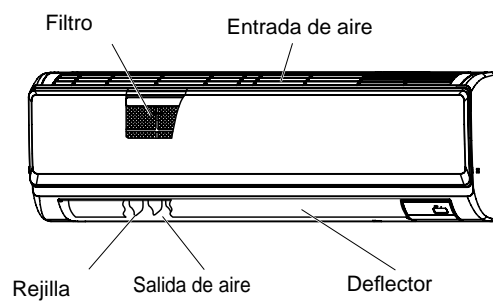
■ PKFY-P-NBMU-E

Modelo montado en pared



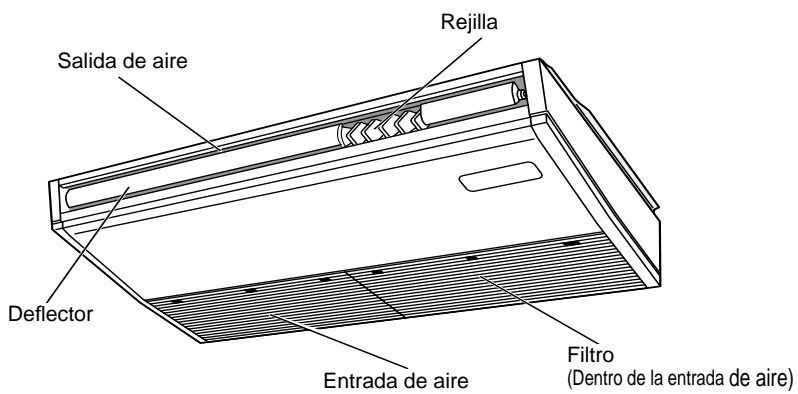
■ PKFY-P-NHMU-E

Modelo montado en pared



■ PCFY-P-NKMU-E

Modelo montado en techo



2. Nombres de las piezas

■ Para controlador remoto cableado

Sección de pantalla

Por cuestiones de claridad, se muestran todos los componentes de la pantalla. Durante el funcionamiento real, solo se ven los elementos relevantes.

Identifica el funcionamiento actual.

Muestra el modo de funcionamiento, etc.
* Admite visualización en múltiples idiomas.

Indicador "Centrally Controlled"

Indica que el mando principal ha desactivado el funcionamiento del mando a distancia.

Indicador "Timer Is Off"

Indica que el temporizador está desactivado.

Configuración de temperatura

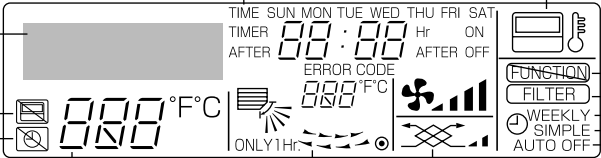
Muestra la temperatura objetivo.

Día de la semana

Muestra el día de la semana actual.

Pantalla Time/Timer

Muestra la hora actual, a menos que se haya configurado el temporizador simple o de apagado automático, en cuyo caso, muestra el tiempo restante.



Indicador de dirección de aire Arriba/Abajo

El indicador muestra la dirección de circulación del aire de salida.

Indicador "One Hour Only"

Aparece cuando la circulación del aire se ha fijado en débil o hacia abajo durante el modo COOL o DRY. (El funcionamiento varía según el modelo). El indicador se apaga después de una hora, momento en que cambia también la dirección de circulación del aire.

Pantalla de temperatura ambiente

Muestra la temperatura ambiente. El rango de temperatura ambiente que muestra la pantalla va de 8 - 39 °C, 46-102 °F. La pantalla parpadea si la temperatura no llega a 8 °C, 46 °F o supera los 39 °C, 102 °F.

Pantalla de rejilla

Indica la acción de la rejilla basculante. No aparece si la rejilla se encuentra fija.

● (Indicador Power On)

Indica que está encendido.

Indicador "Sensor"

Aparece cuando se utiliza el sensor del mando a distancia.

Indicador "Locked"

Indica que se han bloqueado los botones del mando a distancia.

Indicador "Clean The Filter"

Se enciende cuando debe limpiarse el filtro.

Indicadores del temporizador

El indicador se enciende si se ha configurado el temporizador correspondiente.

Indicador de velocidad del ventilador

Muestra la velocidad del ventilador seleccionada.

Indicador de ventilación

Aparece cuando la unidad funciona en modo Ventilación.

Sección de control

Botones Set Temperature

- ▽ Down (Abajo)
- △ Up (Arriba)

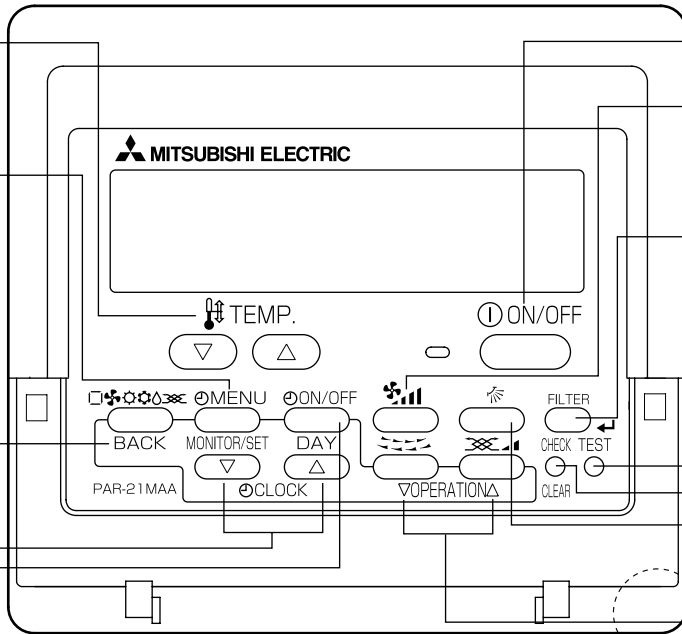
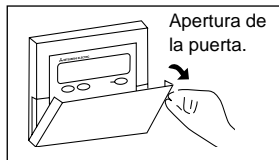
Botón Timer Menu (botón Monitor/Set)

Botón Mode (botón Return)

Botones Set Time

- ▽ Back (Atrás)
- △ Ahead (Adelante)

Botón Timer On/Off (botón Set Day)



Botón ON/OFF

Botón Fan Speed

Botón Filter (Botón Filter)

Botón Test Run

Botón Check (botón Clear)

Botón Airflow Up/Down

Botón Louver (Botón Operation)

▽ Al número de funcionamiento anterior.

Botón Ventilation (botón Operation)

△ Al número de funcionamiento posterior.

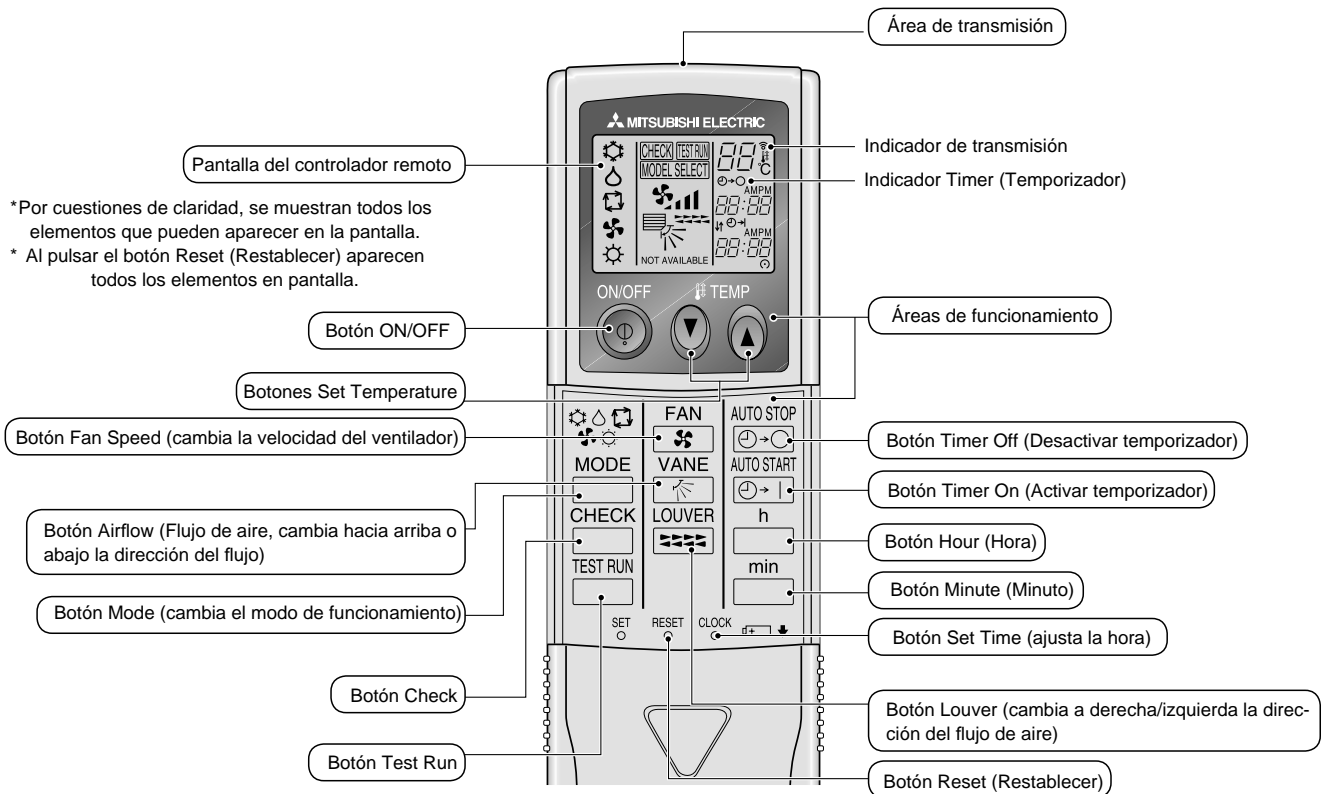
Sensor de temperatura integrado

Nota:

- Mensaje "PLEASE WAIT" (POR FAVOR, ESPERE)
Este mensaje aparece durante aprox. 3 minutos cuando la unidad interior recibe alimentación o cuando la unidad se está recuperando de una caída de tensión.
- Pantalla del modo de funcionamiento parpadeando
Cuando varias unidades interiores están conectadas a una única unidad exterior y en una de dichas unidades interiores está seleccionado un modo de funcionamiento distinto al de otra, la pantalla del modo de funcionamiento parpadea. Seleccione el mismo modo de funcionamiento en ambas unidades.
- Mensaje "NOT AVAILABLE" (NO DISPONIBLE)
Este mensaje aparece si se pulsa un botón para activar una función que la unidad interior no presenta. Cuando se utiliza el mismo controlador remoto para varias unidades interiores, este mensaje aparece si la unidad interior principal no está equipada con la función seleccionada
- Pantalla de temperatura ambiente
Existe la posibilidad de seleccionar los sensores de temperatura de la unidad interior o del controlador remoto para medir la temperatura ambiente. Por defecto están seleccionados los sensores de temperatura de la unidad interior. Si éstos se seleccionan para medir la temperatura ambiente, la temperatura ambiente medida en la unidad interior principal aparece en el controlador remoto que controla varias unidades interiores.

2. Nombres de las piezas

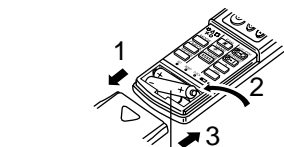
■ Para controlador remoto inalámbrico



- Cuando utilice el controlador remoto inalámbrico, apunte hacia el receptor de la unidad interior.
- Si el controlador remoto se utiliza unos dos minutos después de encender la unidad interior, esta puede pitar dos veces, ya que estará realizando la comprobación automática inicial.
- La unidad interior pitará para confirmar que ha recibido la señal transmitida desde el controlador remoto. La unidad interior puede recibir señales emitidas a un máximo de 23ft. (7 metros) en línea recta en un rango de 45° a derecha e izquierda de la unidad. Sin embargo, ciertos sistemas de iluminación, con fluorescentes o luces fuertes, pueden afectar a la capacidad de recepción de señal de la unidad interior.
- Si la luz de funcionamiento situada cerca del receptor de la unidad interior parpadea, será necesario inspeccionar la unidad. Para el servicio técnico, consulte a su distribuidor.
- Trate el controlador remoto con cuidado. Procure que no se le caiga ni sufra golpes. Además, no lo moje ni lo deje en un lugar con un alto grado de humedad.
- Para impedir que el controlador remoto se pierda, instale el soporte incluido con el controlador remoto en una pared y asegúrese de colocar el mando en su soporte tras su uso.

Instalación/sustitución de pilas

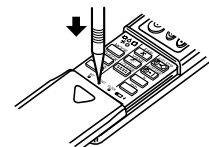
1. Retire la cubierta superior, inserte dos pilas AAA y vuelva a colocar la cubierta.



Cubierta superior

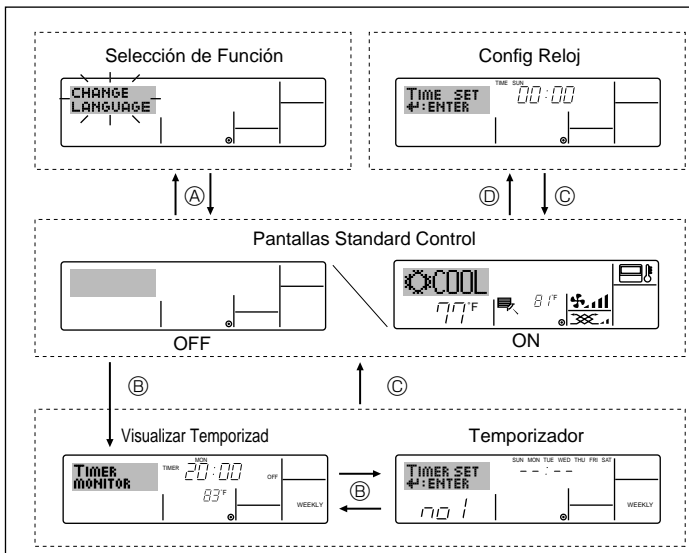
Dos pilas AAA
Inserte las pilas comenzando por el polo negativo (-). Al insertar las pilas, respete la polaridad (+, -).

2. Pulse el botón Reset (Restablecer).



Pulse el botón Reset (Restablecer) con un objeto terminado en punta.

3. Configuración de la pantalla



<Tipos de pantallas>

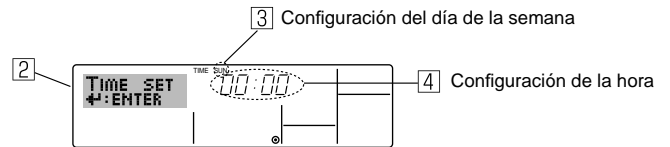
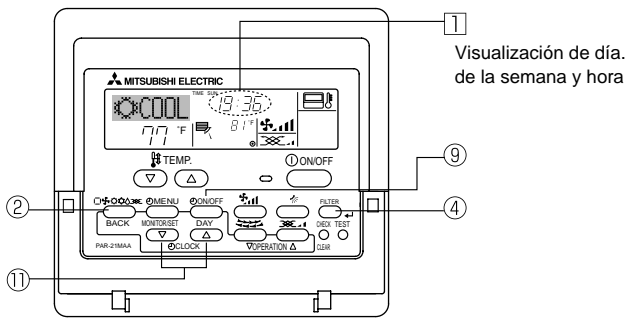
El ajuste de idioma de la pantalla se puede cambiar a español utilizando la selección de función del controlador remoto. Consulte la sección 8, punto [4]-1 para cambiar el ajuste de idioma. El ajuste inicial es inglés.

- Selección de Función: configure las funciones y rangos disponibles para el mando a distancia (funciones de temporizador, restricciones de funcionamiento, etc.).
- Config Reloj: configure el día de la semana u hora actual.
- Pantallas Standard Control: visualice y configure el estado de funcionamiento del sistema de acondicionamiento de aire.
- Visualizar Temporizad: visualice el temporizador configurado actualmente (semanal, temporizador simple o apagado automático).
- Temporizador: configure el funcionamiento de cualquiera de los temporizadores (semanal, simple o apagado automático).

<Cómo cambiar la pantalla>

- Para dirigirse a ① : mantenga pulsado el botón Mode y el botón Timer On/Off durante 2 segundos.
 Para dirigirse a ② : presione el botón Timer Menu.
 Para dirigirse a ③ : presione el botón Mode (Return).
 Para dirigirse a ④ : presione cualquiera de los botones Set Time (▽ o △).

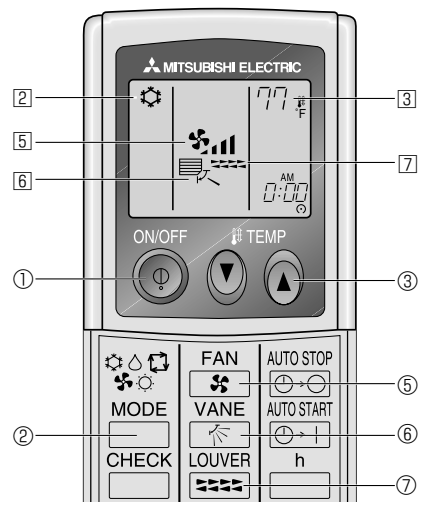
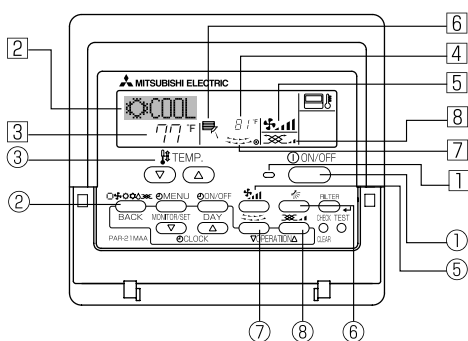
4. Configuración de día de la semana y hora



1. Pulse ▽ o △ del botón Set Time ① para que muestre el indicador ②.
2. Pulse el botón Timer On/Off (Set Day) ⑨ para fijar el día.
 - * Cada pulsación avanza el día que se muestra en ③: Sun → Mon → ... → Fri → Sat.
3. Pulse el botón Set Time apropiado ① según sea necesario para configurar la hora.
 - * Mientras mantiene pulsado el botón, la hora (en ④) avanzará primero en intervalos de un minuto, luego en intervalos de diez minutos y después en intervalos de una hora.
4. Después de realizar las configuraciones apropiadas en los Pasos 2 y 3, pulse el botón Filter ④ para fijar los valores.

Nota:
El día y la hora no aparecerán si se ha desactivado la utilización del reloj en la Selección de Función.

5. Manejo



5.1. Encendido y apagado

<Para poner en marcha>

- Pulse el botón ON/OFF ①.
- Se encienden la lámpara de encendido ① y la pantalla.

Nota:
● Cuando se reinicia la unidad, las configuraciones iniciales son las siguientes.

| Configuraciones del Mando a distancia | | |
|-----------------------------------------|--------------------------|-----------------------------|
| Modo | Último valor configurado | |
| Configuración de la temperatura | Último valor configurado | |
| Velocidad del ventilador | Último valor configurado | |
| Circulación del aire hacia Arriba/Abajo | Modo | |
| | COOL o DRY | Salida horiz. *1 |
| | HEAT | Último valor configurado *2 |
| | FAN | Salida horiz. *1 |

*1 Es posible que se aplique el último ajuste en función de la unidad interior.
 *2 En caso de que la última configuración sea oscilante, el flujo del aire puede ser descendente 4 dependiendo del tipo de la unidad interior.

<Para detener el funcionamiento>

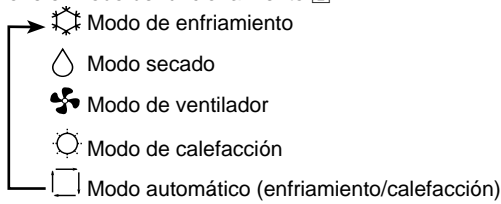
- Pulse de nuevo el botón ON/OFF ①.
- Se oscurecen la lámpara de encendido ① y la pantalla.

Nota:
Aunque pulse una vez más el botón de encendido ON/OFF inmediatamente después de apagar el aparato, el acondicionador de aire no se pondrá en marcha hasta pasados tres minutos. Esto tiene como fin evitar daños en los componentes internos.

5. Manejo

5.2. Selección de modo

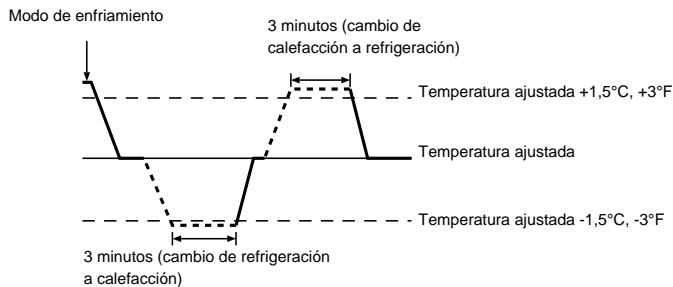
■ Pulse el botón de modos de funcionamiento (☐❄️🔥🌞) ② y seleccione el modo de funcionamiento ②.



Funcionamiento automático

■ De acuerdo con la temperatura ajustada, el funcionamiento de refrigeración comenzará si la temperatura de la sala es demasiado alta. El modo de calefacción comenzará si la temperatura de la sala es demasiado baja.

■ Durante el funcionamiento automático, si la temperatura de la sala cambia y permanece 1,5 °C, 3 °F o más por encima de la temperatura ajustada durante 3 minutos, el acondicionador de aire cambiará a modo de refrigeración. Asimismo, si la temperatura permanece 1,5 °C, 3 °F o más por debajo de la temperatura ajustada durante 3 minutos, el acondicionador de aire cambiará a modo de calefacción.



■ Como la temperatura ambiente se ajusta automáticamente para mantener una temperatura efectiva fija, el modo de refrigeración se activa un par de grados por encima de la temperatura ajustada (y el modo de calefacción, un par de grados por debajo) una vez alcanzada dicha temperatura (modo automático de ahorro de energía).

5.3. Ajuste de la temperatura

► Para disminuir la temperatura de la habitación:

Pulse el botón ③ para fijar la temperatura deseada.
En el visor aparecerá la temperatura seleccionada ③.

► Para aumentar la temperatura de la habitación:

Pulse el botón ③ para fijar la temperatura deseada.
En el visor aparecerá la temperatura seleccionada ③.

- Las gamas de ajuste de temperaturas disponibles son las siguientes:
Enfriamiento y secado: 19 - 30°C, 67 - 87 °F
Calefacción: 17 - 28°C, 63 - 83 °F
Automático: 19 - 28°C, 67 - 83 °F
- La pantalla parpadea 8 °C - 39 °C, 46 °F - 102 °F para informar si la temperatura de la habitación es inferior o superior a la que se visualiza.

5.4. Ajuste de la velocidad del ventilador

■ Pulse el botón Fan Speed ⑤ tantas veces como sea necesario con el sistema en funcionamiento.

- Cada pulsación cambia la potencia. La velocidad seleccionada actualmente se muestra en ⑤.
- La secuencia de cambio y las configuraciones disponibles son las siguientes.

| Velocidad del ventilador | Pantalla |
|--------------------------|----------------------------------------------------------------------|
| 4 velocidades + Auto * | Velocidad 1 Velocidad 2 Velocidad 3 Velocidad 4 Auto |
| 3 velocidades + Auto * | Velocidad 1 Velocidad 2 Velocidad 3 Auto |
| Modelo de 4 velocidades | Velocidad 1 Velocidad 2 Velocidad 3 Velocidad 4 |

* Sólo para el controlador remoto MA. Se necesita poner la velocidad del ventilador en automático para poder utilizar el controlador remoto inalámbrico.

Nota:

- El número de velocidades del ventilador disponibles depende del tipo de unidad conectada. Recuerde, además, que algunas unidades no ofrecen ajuste "Auto".
- En los siguientes casos, la velocidad real del ventilador generada por la unidad diferirá de la velocidad mostrada en la pantalla del mando a distancia.
 - Mientras la pantalla muestra "STAND BY" (CALENTANDO) o "DEFROST" (DESCONGELACIÓN).
 - Cuando la temperatura del intercambiador de calor es baja en modo de calefacción (por ejemplo, inmediatamente después de que se active el modo de calefacción).
 - En modo HEAT, cuando la temperatura ambiente de la habitación es superior al valor de configuración de la temperatura.
 - Cuando la unidad esté en modo DRY.

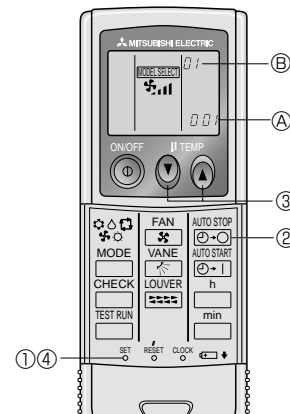
■ Ajuste automático de la velocidad del ventilador (controlador remoto inalámbrico)

El ajuste se ha de efectuar en el controlador remoto inalámbrico solo cuando el ventilador no está ajustado a la velocidad predeterminada.

El ajuste no se ha de efectuar en el controlador remoto cableado cuando el ventilador está ajustado a la velocidad predeterminada.

Esta escena no es necesaria para el equipo del controlador remoto inalámbrico que es una parte optativa para PCFY-P-NKMU-E.

- Pulse el botón SET con un objeto afilado.
Continúe la operación cuando se apague la pantalla del controlador remoto.
MODEL SELECT parpadea y se ilumina el nº de modelo ①.
- Pulse el botón AUTO STOP ②.
FAN parpadea y se ilumina el nº de ajuste ②.
(ajuste nº 01: sin ventilador en velocidad automática)
- Pulse los botones TEMP ③ para poner el nº de ajuste 02.
(nº ajuste 02: con ventilador en velocidad automática)
Si se ha equivocado al efectuar la operación, pulse el botón ON/OFF ④ y vuelva a empezar desde el procedimiento ②.
- Pulse el botón SET con un objeto afilado.
MODEL SELECT y el nº de modelo se iluminan durante 3 segundos y a continuación se apagan.



5.5. Ajuste de la dirección del flujo de aire

<Para cambiar la dirección de circulación del aire hacia Arriba/Abajo>

- Con la unidad en funcionamiento, pulse el botón Airflow Up/Down ⑥ tantas veces como sea necesario.
- Cada pulsación cambia la dirección. La dirección actual se muestra en ⑥.
- La secuencia de cambio y las configuraciones disponibles son las siguientes.

| Flujo de aire | Pantalla |
|---------------------|-------------------------------------------------|
| Modelo de 5 pasos*1 | Oscilación Auto 1 2 3 4 5 |
| Modelo de 4 pasos | Oscilación 1 2 3 4 (Horiz.) |

* Recuerde que durante el funcionamiento oscilante (Swing), la indicación direccional en la pantalla no cambia en sincronización con los álabes direccionales en la unidad.

* Algunos modelos no admiten configuraciones direccionales.

*1. Únicamente para el control remoto MA, otro control remoto mostrará lo mismo que el modelo de 4 pasos.

*2. PKFY-P-NBMU-E no tiene ningún despliegue de oscilación.

*3. Ajuste de la dirección del flujo de aire <Auto>
COOL / FAN / DRY: Configuración 1 (Horizontal), HEAT: Configuración 5 (Hacia abajo 5)

5. Manejo

Nota:

- Las direcciones disponibles dependen del tipo de unidad conectada. Recuerde, además, que algunas unidades no ofrecen una configuración "Auto".
- En los siguientes casos, la dirección real del aire diferirá de la dirección indicada en la pantalla del mando a distancia.
 - Mientras la pantalla muestra "STAND BY" (CALENTANDO) o "DEFROST" (DESCONGELACIÓN).
 - Inmediatamente después de iniciar el modo calentador (durante la espera para la realización del cambio).
 - En modo calentador, cuando la temperatura ambiente de la sala sea superior a la configuración de la temperatura.

<[Manual] Para cambiar la dirección del flujo del aire a la derecha o izquierda>

* No es posible utilizar el botón de las rejillas ⑦.

- Detenga el funcionamiento de la unidad, sujete la palanca de las rejillas y ajuste la dirección deseada.
- No se debe ajustar con la dirección hacia el interior si la unidad se encuentra en el modo de enfriamiento o secado, ya que existe el riesgo de condensación y de goteo de agua.



⚠ Cuidado:

Al realizar el procedimiento anterior, asegúrese de tomar las medidas necesarias para evitar caídas.

6. Temporizador

6.1. Para controlador remoto cableado

Puede utilizar la Selección de Función para seleccionar cuál de los tres tipos de temporizador utilizar: ① temporizador semanal, ② temporizador simple o ③ temporizador automático.

6.1.1. Temporizador semanal

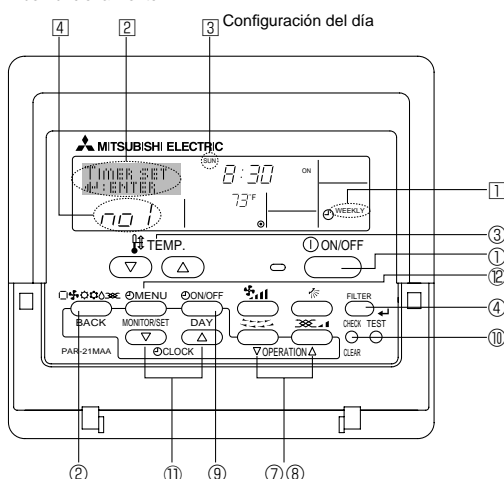
- El temporizador semanal puede utilizarse para configurar hasta ocho funciones para cada día de la semana.
 - Cada función puede consistir en cualquiera de las siguientes: hora de encendido y apagado junto a una configuración de la temperatura, sólo hora de encendido y apagado o sólo configuración de la temperatura.
 - Cuando la hora actual alcanza la hora configurada en este temporizador, el acondicionador de aire realiza la acción configurada por el temporizador.
- El tiempo necesario para la configuración de la hora para este temporizador es de 1 minuto.

Nota:

- El temporizador semanal, el temporizador simple y el temporizador automático no pueden utilizarse al mismo tiempo.
- El temporizador semanal no funcionará si se da alguna de las siguientes condiciones.

La función de temporizador está desactivada; el sistema se encuentra en un estado anómalo; hay una sesión de prueba en curso; se está llevando a cabo una autoprueba o una prueba del mando a distancia; el usuario está configurando una función; el usuario está configurando el temporizador; el usuario está configurando el día actual de la semana o la hora; el sistema se encuentra bajo el control central. (En concreto, el sistema no llevará a cabo operaciones (encendido o apagado de la unidad, configuración de la temperatura) que estén desactivadas cuando se produzcan estas condiciones.)

Nº de Funcionamiento.



5.6. Ventilación

► Para combinación LOSSNAY

5.6.1. Para controlador remoto cableado

- Para hacer funcionar el renovador de aire junto con la unidad interior:
 - Pulse el botón ON/OFF ①.
 - El indicador Vent aparece en la pantalla (en ⑧). Ahora el renovador de aire funcionará automáticamente cuando funcione la unidad interior.
- Para hacer funcionar sólo el renovador de aire cuando la unidad interior no esté funcionando:
 - Pulse el botón Ventilación ⑧ mientras la unidad interior se encuentre apagada.
 - La lámpara de encendido (On) (en ①) y el indicador de Ventilación (en ⑧) se encenderán.
- Para cambiar la potencia del renovador de aire:
 - Pulse el botón Ventilación ⑧ según sea necesario.
 - Cada pulsación cambia la configuración según se muestra a continuación.



Nota:

- En las configuraciones de algunos modelos, el ventilador en la unidad interior puede activarse aun cuando se configure el renovador de aire para que funcione independientemente.

<Cómo configurar el temporizador semanal>

- Asegúrese de que se encuentra en la pantalla de control estándar y de que el indicador del temporizador semanal ① se muestra en la pantalla.
- Pulse el botón Timer Menu ②, de modo que aparezca en la pantalla "Set Up" (en ②). (Recuerde que cada pulsación del botón cambia la pantalla entre "Set Up" y "Monitor").
- Pulse el botón Timer On/Off (Set Day) ③ para configurar el día. Cada pulsación avanza la pantalla ③ a la próxima configuración en la secuencia que se indica a continuación: "Sun Mon Tues Wed Thurs Fri Sat" → "Sun" → ... (Domingo Lunes Martes Miércoles Jueves Viernes Sábado → Domingo) → "Fri" → "Sat" → "Sun Mon Tues Wed Thurs Fri Sat"... (Viernes → Sábado → Domingo Lunes Martes Miércoles Jueves Viernes Sábado).
- Pulse el botón ∇ o △ Operation (⑦ o ⑧) según sea necesario para seleccionar el número de operación apropiado (1 a 8) ④.
 - La información introducida en los Pasos 3 y 4 seleccionará una de las celdas de la matriz ilustrada a continuación. (La pantalla del mando a distancia en la izquierda muestra cómo se mostraría la pantalla cuando se configura Operación 1 para el domingo con los valores indicados a continuación).

Matriz de configuración

| Nº de op. | Sunday | Monday | ... | Saturday |
|-----------|--------------------------|------------------|------------------|------------------|
| No. 1 | • 8:30 • ON • 73°F | | | |
| No. 2 | • 10:00 • OFF | • 10:00 • OFF | • 10:00 • OFF | • 10:00 • OFF |
| ... | | | | |
| No. 8 | | | | |

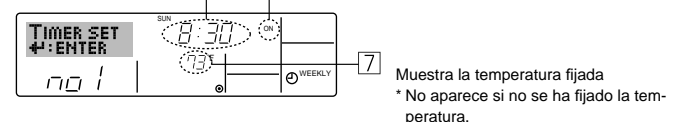
<Valores de Operación 1 para el domingo>
Iniciar el funcionamiento del acondicionador de aire a las 8:30, con la temperatura fijada en 73 °F.

<Valores de Operación 2 para todos los días>
Apagar el acondicionador de aire a las 10:00.

Nota:

Configurando el día a "Sun Mon Tues Wed Thurs Fri Sat", puede configurar la misma operación a la misma hora todos los días. (Por ejemplo: la Operación 2 arriba mencionada es la misma para todos los días de la semana.)

Muestra la configuración ⑤ ⑥ Muestra la operación seleccionada (encendido o apagado) de la hora
* No aparece si no se ha configurado la operación.



6. Temporizador

<Configuración del temporizador semanal>

- Pulse el botón Set Time apropiado ① según sea necesario para fijar la hora deseada (en ⑤).
 - * Durante su pulsación, la hora avanza primero en intervalos de un minuto, luego en intervalos de diez minutos y finalmente en intervalos de una hora.
- Pulse el botón ON/OFF ② para seleccionar la operación deseada (encendido o apagado), en ⑥.
 - * Cada pulsación cambia al siguiente valor en la secuencia que se indica a continuación: sin indicación (sin configuración) → "ON" → "OFF".
- Pulse el botón Set Temperature apropiado ③ para fijar la temperatura deseada (en ⑦).
 - * Cada pulsación cambia la configuración en la secuencia que se indica a continuación: sin indicación (sin configuración) ↔ 75 ↔ 77 ↔ ... ↔ 84 ↔ 87 ↔ 53 ↔ ... ↔ 73 ↔ sin indicación. (Rango disponible: el rango de configuración es de 12 °C, 53 °F a 30 °C, 87 °F. El rango real de control de temperatura, sin embargo, variará según el tipo de unidad conectada).
- Después de realizar las configuraciones apropiadas en los Pasos 5, 6 y 7, pulse el botón Filter ④ para guardar los valores.
 - Para borrar los valores actualmente configurados para la operación seleccionada, pulse y suelte rápidamente el botón Check (Clear) ⑩ una vez.
 - * El valor de la hora mostrada cambiará a "—:—" y desaparecerán tanto los valores de encendido/apagado como el de temperatura. (Para borrar todas las configuraciones del temporizador semanal de una vez, mantenga pulsado el botón Check (Clear) ⑩ durante dos o más segundos. La pantalla empezará a parpadear, indicando que se han borrado todos los ajustes).

Nota:

Sus datos nuevos se cancelarán si pulsa el botón Mode (Return) ② antes de pulsar el botón Filter ④.

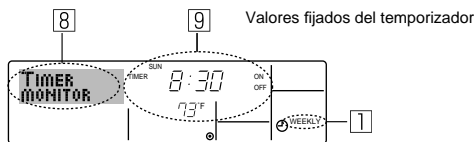
Si ha configurado dos o más operaciones diferentes para la misma hora exactamente, sólo se realizará la operación con el número más elevado.

- Repita los Pasos 3 a 8 según sea necesario para completar tantas celdas disponibles como desee.
- Pulse el botón Mode (Return) ② para regresar a la pantalla de control estándar y completar el procedimiento de configuración.
- Para activar el temporizador, pulse el botón Timer On/Off ⑨, de modo que el indicador "Timer Off" desaparezca de la pantalla.

Asegúrese de que ya no se muestre el indicador "Timer Off".

- * Si no hay ajustes del temporizador, el indicador "Timer Off" parpadeará en la pantalla.

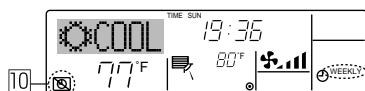
<Cómo visualizar los valores fijados del temporizador semanal>



- Asegúrese de que se muestra en la pantalla el indicador del temporizador semanal (en ①).
- Pulse el botón Timer Menu ⑧ de modo que se indique en la pantalla "Monitor" (en ⑧).
- Pulse el botón Timer On/Off (Set Day) ⑨ según sea necesario para seleccionar el día que desea visualizar.
- Pulse el botón Operation ▽ o △ (⑦ o ⑧) según sea necesario para cambiar el funcionamiento del temporizador mostrado en la pantalla (en ③).
 - * Cada pulsación, avanzará a la próxima operación del temporizador, en el orden de configuración de la hora.
- Para cerrar el monitor y regresar a la pantalla Standard Control, pulse el botón Mode (Return) de ②.

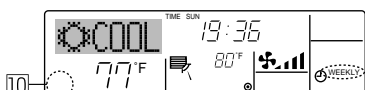
<Para desactivar el temporizador semanal>

Pulse el botón Timer On/Off ⑨ de modo que aparezca "Timer Off" en la pantalla. Press the Timer On/Off button ⑨ so that "Timer Off" appears at ⑩.



<Para activar el temporizador semanal>

Pulse el botón Timer On/Off ⑨ de modo que el indicador "Timer Off" (en ⑩) se oscurezca.



6.1.2. Temporizador simple

■ Puede configurar el temporizador simple de cualquiera de las tres formas siguientes.

- Sólo hora de puesta en marcha: el acondicionador de aire comenzará a funcionar cuando haya transcurrido el tiempo fijado.
- Sólo hora de parada: el acondicionador de aire se detendrá cuando haya transcurrido el tiempo fijado.
- Horas de puesta en marcha y de parada: el acondicionador de aire comienza a funcionar y se detiene cuando hayan transcurrido las horas respectivas.

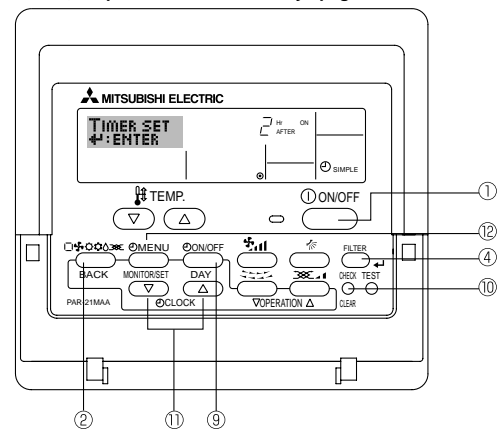
■ El temporizador simple (puesta en marcha y parada) puede configurarse sólo una vez en un periodo de 72 horas. La configuración de la hora se realiza en aumentos de una hora.

Nota:

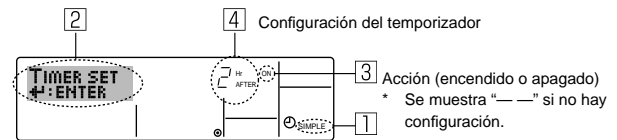
*1. El temporizador semanal, el temporizador simple y el temporizador automático no pueden utilizarse al mismo tiempo.

*2. El temporizador simple no funcionará si se da cualquiera de las condiciones siguientes.

El temporizador está desactivado, el sistema está en estado anómalo, está realizándose una prueba de funcionamiento, el mando a distancia está realizando una autoevaluación o diagnóstico, el usuario está seleccionando una función o configurando el temporizador, el sistema está bajo control central. (En estas condiciones, la operación de encendido y apagado está deshabilitada).



<Cómo configurar el temporizador simple>



- Asegúrese de que se encuentra en una pantalla de control estándar y de que el indicador de temporizador simple se muestra en la pantalla (en ①). Cuando aparezca una indicación distinta de la del temporizador simple, cámbielo a SIMPLE TIMER (TEMPORIZADOR SIMPLE) utilizando la selección n de funciones del temporizador del mando a distancia (véase 8.[4]-3(3)).
- Pulse el botón Timer Menu ②, de modo que aparezca en la pantalla "Set Up" (en ②). (Recuerde que cada pulsación del botón cambia la pantalla entre "Set Up" y "Monitor").
- Pulse el botón ON/OFF ① para mostrar los valores configurados actuales de encendido o apagado del temporizador simple. Pulse el botón una vez para ver el tiempo restante hasta el encendido y luego de nuevo para ver el tiempo restante hasta el apagado. (El indicador ON/OFF aparece en ③).
 - Temporizador "ON": el acondicionador de aire comenzará a funcionar cuando haya transcurrido el número de horas especificado.
 - Temporizador "OFF": el acondicionador de aire se detendrá cuando haya transcurrido el número de horas especificado.
- Mostrando "ON" u "OFF" en ③: pulse el botón Set Time ③ apropiado según sea necesario para fijar las horas hasta el encendido (si se muestra "ON") o las horas hasta el apagado (si se muestra "OFF") en ④.
 - Rango disponible: 1 a 72 horas
- Para fijar las horas hasta el encendido y el apagado, repita los Pasos 3 y 4.
 - * Recuerde que las horas de encendido y apagado no pueden fijarse en el mismo valor.
- Para borrar la configuración de encendido o apagado actual: Muestre el valor configurado de encendido o apagado (véase el paso 3) y luego pulse el botón Check (Clear) ⑩ para borrar la configuración de la hora a "—" en ④. (Si desea utilizar sólo un valor de configuración de encendido o una configuración de apagado, asegúrese de que la configuración que no desea utilizar se muestra como "—").

6. Temporizador

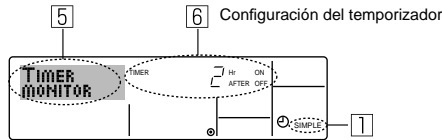
7. Después de completar los Pasos 3 y 6 arriba mencionados, pulse el botón **Filter** ④ para fijar el valor.

Nota:
Sus configuraciones nuevas se cancelarán si pulsa el botón **Mode (Return)** ② antes de pulsar el botón **Filter** ④.

8. Pulse el botón **Mode (Return)** ② para regresar a la pantalla de control estándar.

9. Pulse el botón **Timer On/Off** ⑨ para iniciar la cuenta atrás del temporizador. Cuando el temporizador está funcionando, su valor es visible en la pantalla. **Asegúrese de que el valor del temporizador sea visible y apropiado.**

<Visualización de las configuraciones actuales del temporizador simple>



1. Asegúrese de que el indicador del temporizador simple está visible en la pantalla (en ①).

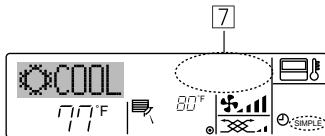
2. Pulse el botón **Timer Menu** ②, para que aparezca "Monitor" en la pantalla (en ⑤).

- Si el temporizador simple de encendido o apagado está funcionando, su valor actual aparecerá en ⑥.
- Si se han fijado ambos valores, encendido y apagado, aparecen alternativamente ambos valores.

3. Pulse el botón **Mode (Return)** ② para cerrar la pantalla del monitor y regresar a la pantalla de control estándar.

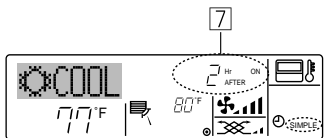
<Para desactivar el temporizador simple...>

Pulse el botón **Timer On/Off** ⑨ para que la configuración del temporizador ya no aparezca en la pantalla (en ⑦).



<Para iniciar el temporizador simple...>

Pulse el botón **Timer On/Off** ⑨ para que la configuración del temporizador sea visible en ⑦.



Ejemplos

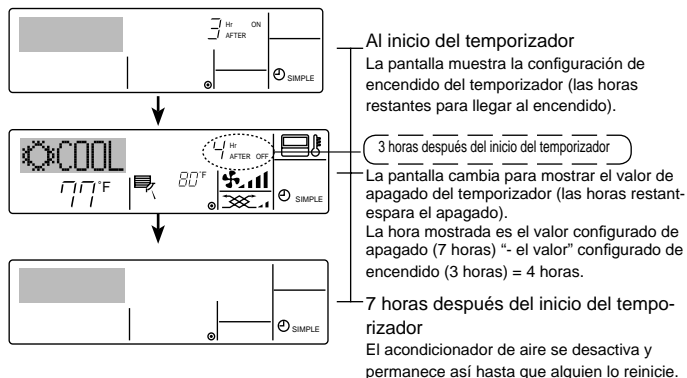
Si se han configurado las horas de encendido y apagado en el temporizador simple, el funcionamiento y la pantalla son según se indica a continuación.

Ejemplo 1:

Inicie el temporizador con la hora de encendido fijada más temprano que la de apagado.

Configuración de encendido: 3 horas

Configuración de apagado: 7 horas

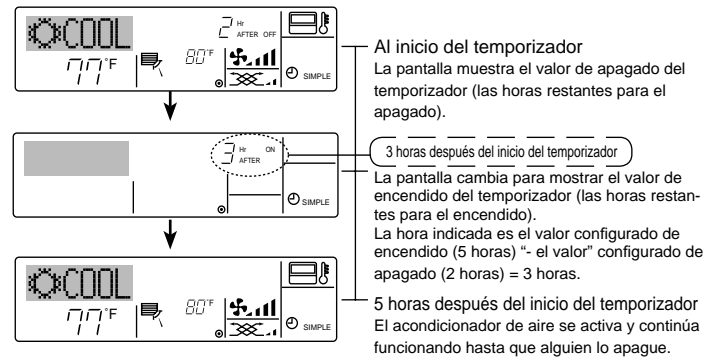


Ejemplo 2:

Inicie el temporizador con la hora de apagado fijada más temprano que la de encendido.

Configuración de encendido: 5 horas

Configuración de apagado: 2 horas



6.1.3. Temporizador de apagado automático

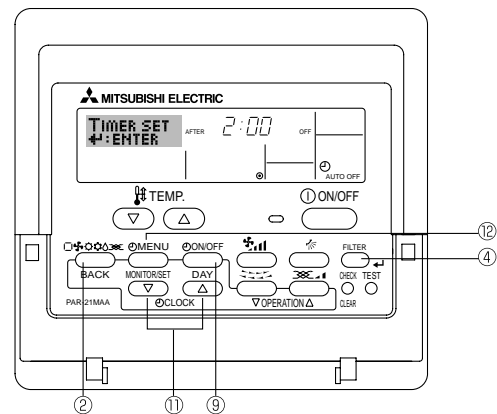
■ Este temporizador comienza la cuenta atrás cuando el acondicionador de aire comienza a funcionar y apaga el acondicionador cuando haya transcurrido el tiempo fijado.

■ Los valores disponibles abarcan desde 30 minutos a 4 horas, en intervalos de 30 minutos.

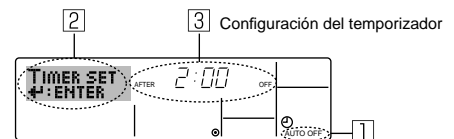
Nota:

- *1. El temporizador semanal, el temporizador simple y el temporizador automático no pueden utilizarse al mismo tiempo.
- *2. El temporizador Auto Off no funcionará si se dan cualquiera de las siguientes condiciones.

El temporizador está desactivado, el sistema está en estado anómalo, está realizándose una prueba de funcionamiento, el mando a distancia está realizando una autoevaluación o diagnóstico, el usuario está seleccionando una función o configurando el temporizador, el sistema está bajo control central. (En estas condiciones, la operación de encendido y apagado está deshabilitada).



<Cómo configurar el temporizador de apagado automático>



1. Asegúrese de que usted se encuentre en una pantalla de control estándar y que el indicador del temporizador de apagado automático Auto Off se muestre en la pantalla (en ①). Cuando aparezca una indicación distinta de la del temporizador de apagado automático, cámbielo a AUTO OFF TIMER (TEMPORIZADOR DE APAGADO AUTOMÁTICO) utilizando la selección de funciones de la configuración de funciones del temporizador del mando a distancia (véase 8.[4]-3 (3)).

2. Mantenga pulsado el botón **Timer Menu** ② durante 3 segundos, para que aparezca "Set Up" en la pantalla (en ②). (Recuerde que cada pulsación del botón cambia la pantalla entre "Set Up" y "Monitor").

3. Pulse el botón **Set Time** apropiado ⑩ según sea necesario para configurar la hora de apagado (en ③).

4. Pulse el botón **Filter** ④ para fijar la configuración.

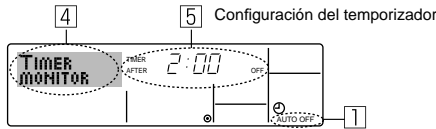
Nota:
Los datos introducidos se cancelarán si pulsa el botón **Mode (Return)** ② antes de pulsar el botón **Filter** ④.

5. Pulse el botón **Mode (Return)** ② para completar el procedimiento de configuración y regresar a la pantalla de control estándar.

6. Si el acondicionador de aire ya está funcionando, el temporizador comienza inmediatamente la cuenta atrás. **Asegúrese de comprobar que el valor fijado del temporizador aparece correctamente en la pantalla.**

6. Temporizador

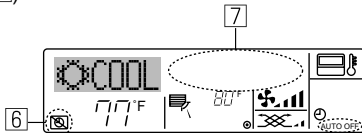
<Comprobación de la configuración actual del temporizador de apagado automático>



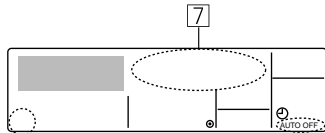
1. Asegúrese de que "Auto Off" esté visible en la pantalla (en 1).
2. Mantenga pulsado el botón Timer Menu ④ durante **3 segundos**, para que se indique en la pantalla "Monitor" (en 4).
 - El tiempo restante para el apagado aparece en 5.
3. Para cerrar el monitor y regresar a la pantalla Standard Control, pulse el botón Mode (Return) de ②.

<Para desactivar temporizador de apagado automático...>

- Mantenga pulsado el botón Timer On/Off ⑨ durante **3 segundos** para que aparezca "Timer Off" (en 6) y desaparezca el valor del temporizador (en 7).

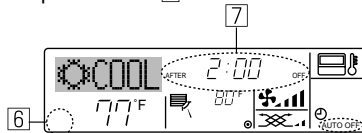


- Alternativamente, desconecte el acondicionador de aire. El valor del temporizador (en 7) desaparecerá de la pantalla.



<Para iniciar el temporizador de apagado automático...>

- Mantenga pulsado el botón Timer On/Off ⑨ durante **3 segundos**. Desaparece la indicación "Timer Off" (en 6) y la configuración del temporizador aparece en la pantalla (en 7).
- Alternativamente, encienda el acondicionador de aire. El valor del temporizador aparecerá en 7.



7. Otras funciones

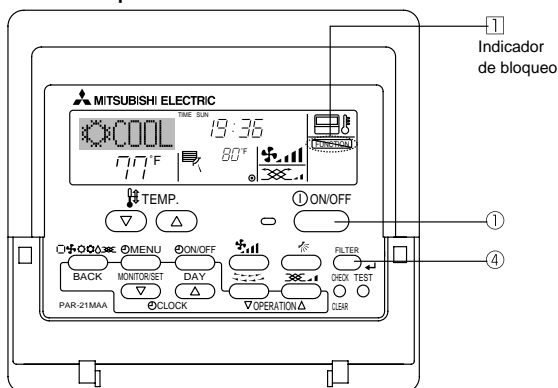
7.1. Bloqueo de los botones del mando a distancia (límite de función de Operación)

- Si lo desea, puede bloquear los botones del mando a distancia. Puede utilizar la selección de funciones del mando a distancia para elegir el tipo de bloqueo que desea usar. (Para más información sobre selección del tipo de bloqueo, consulte la sección 8, punto [4]-2(1)). Específicamente, puede utilizar cualquiera de los dos tipos de bloqueo que se indican a continuación.

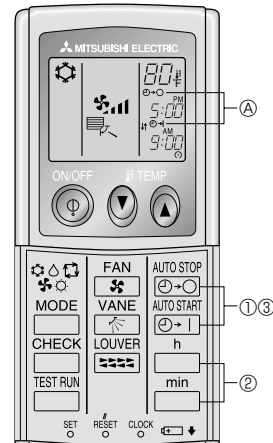
- ① Bloquear todos los botones: bloquea todos los botones en el mando a distancia.
- ② Bloquear todo excepto ON/OFF (encendido/apagado): bloquea todos los botones excepto el botón ON/OFF.

Nota:

Aparece en la pantalla el indicador "Locked" (bloqueado) para indicar que los botones están bloqueados en este momento.



6.2. Para controlador remoto inalámbrico



- ① Presione el botón o (TIMER SET).

- Se puede fijar la hora mientras parpadee el símbolo siguiente.
 Temporizador de apagado : Parpadea .
 Temporizador de encendido : Parpadea .

- ② Use los botones y para fijar la hora deseada.

- ③ Cancelación del temporizador.

Para cancelar el temporizador de apagado, presione el botón .

Para cancelar el temporizador de encendido, presione el botón .

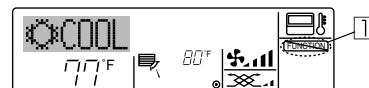
- Es posible combinar el temporizador de encendido con el de apagado.
- Al presionar el botón ① ON/OFF del mando a distancia durante el modo de temporizador para parar la unidad se cancelarán los temporizadores.
- Si no ha ajustado la hora actual, no podrá utilizar la función del temporizador.

7. Otras funciones

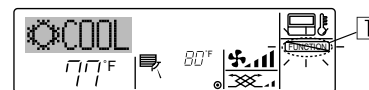
<Cómo bloquear los botones>

1. Mientras pulsa el botón Filter ④, pulse y mantenga pulsado el botón ON/OFF ① durante 2 segundos. Aparece en la pantalla el indicador "Locked" (en 1) indicando que está activado el bloqueo.

- * Si el bloqueo se ha deshabilitado en Function Selection, la pantalla mostrará el mensaje "Not Available" (no disponible) cuando pulse los botones según se describe anteriormente.



- Si pulsa un botón bloqueado, parpadeará en la pantalla el indicador "Locked" (en 1).



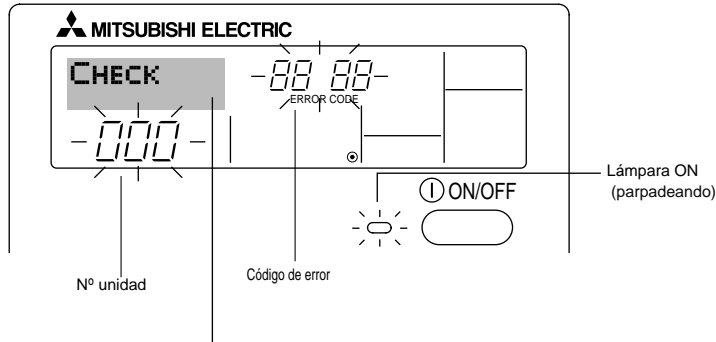
<Cómo desbloquear los botones>

1. Mientras pulsa el botón Filter ④, pulse y mantenga pulsado el botón ON/OFF ① durante 2 segundos para que el indicador "Locked" desaparezca de la pantalla (en 1).



7. Otras funciones

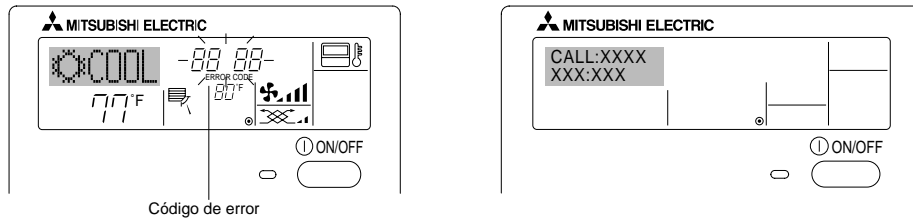
7.2. Indicación de códigos de error



Si ha introducido un número telefónico al cual llamar en caso de problemas, la pantalla mostrará este número. (Puede configurarlo en la Selección de Función. Para más información, consulte la sección 8).

- Si parpadean la lámpara ON y el código de error: esto significa que el acondicionador de aire está estropeado y su funcionamiento se ha detenido (y no puede reanudarse). Tome nota del número de unidad indicado y del código de error; luego desconecte la alimentación del acondicionador de aire y llame a su distribuidor o proveedor de servicio técnico.

Quando se pulsa el botón Check:



- Si solo parpadea el código de error (mientras la lámpara ON permanece encendida): continúa el funcionamiento, pero puede existir un problema en el sistema. En este caso, debe anotar el código de error y luego llamar a su distribuidor o proveedor de servicio técnico para asesoramiento.
- * Si ha introducido un número de teléfono al cual llamar en caso de problemas, pulse el botón Check para mostrarlo en la pantalla. (Puede configurarlo en la Selección de Función. Para más información, consulte la sección 8).

8. Selección de función

Selección de funciones del controlador remoto

El ajuste de las siguientes funciones del controlador remoto se puede cambiar utilizando el modo Selección de función del controlador remoto. Cambie el ajuste cuando sea necesario.

| Ítem 1 | Ítem 2 | Ítem 3 (Contenido de ajuste) |
|---------------------------------------------------|------------------------------------------------------------------------------------------|------------------------------------------------------------------------------------------------------------------------------------------------------------------------------------------------------------------------------------------|
| 1. Cambio de idioma ("CHANGE LANGUAGE") | Ajuste del idioma que aparece en el indicador | <ul style="list-style-type: none"> • El indicador puede aparecer en distintos idiomas |
| 2. Límite de funciones ("SELECCIÓN DE FUNCIONES") | (1) Ajuste del límite de funciones (bloqueo de funciones) ("FUNCIÓN BLOQUEADA") | <ul style="list-style-type: none"> • Ajuste del rango de límite de funcionamiento (bloqueo de funcionamiento) |
| | (2) Uso del ajuste de modo automático ("SELECCIÓN MODO AUTO") | <ul style="list-style-type: none"> • Ajuste del uso (o no) del modo de funcionamiento "automático" |
| | (3) Ajuste del límite de rango de temperatura ("LIMIT TEMP CONSIGNA") | <ul style="list-style-type: none"> • Ajuste del rango de temperatura (máximo, mínimo) |
| 3. Selección de modo ("SELECCIÓN DE MODO") | (1) Ajuste del controlador remoto principal/secundario ("CONTROL PRINCIPAL/SECUNDARIO") | <ul style="list-style-type: none"> • Selección del controlador remoto principal o secundario * Si se conectan dos controladores remotos a un grupo, uno de los controladores debe seleccionarse como secundario. |
| | (2) Uso del ajuste del reloj ("RELOJ") | <ul style="list-style-type: none"> • Ajuste del uso (o no) de la función de reloj |
| | (3) Ajuste de la función de temporizador ("TEMPORIZADOR SEMANAL") | <ul style="list-style-type: none"> • Ajuste del tipo de temporizador |
| | (4) Ajuste de número de contacto en caso de error ("CALL.") | <ul style="list-style-type: none"> • Indicador del número de contacto en caso de error • Ajuste del número de teléfono |
| 4. Cambio de indicador ("MOSTRAR MODO") | (1) Ajuste del indicador de temperatura °C/°F ("TEMP. GRADOS °C/°F") | <ul style="list-style-type: none"> • Ajuste de la unidad de temperatura (°C o °F) que debe aparecer en el indicador |
| | (2) Ajuste del indicador de temperatura del aire de aspiración ("MOSTRAR TEMP.") | <ul style="list-style-type: none"> • Ajuste del uso (o no) del indicador de temperatura del aire (aspiración) del interior |
| | (3) Ajuste del indicador de refrigeración/calefacción automática ("MOSTRAR F/C EN AUTO") | <ul style="list-style-type: none"> • Ajuste del uso (o no) del indicador de "Cooling" (Refrigeración) o "Heating" (Calefacción) durante el funcionamiento en modo automático |

8. Selección de función

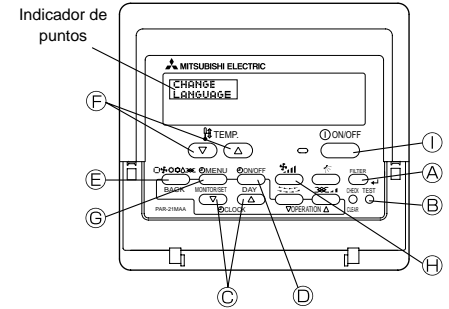
[Diagrama de flujo de selección de función]
Idioma ajustado (inglés)

Indicador normal (Indicador que aparece cuando el acondicionador de aire está apagado)

Mantenga pulsado el botón (E) y presione el botón (D) durante dos segundos.

Mantenga pulsado el botón (E) y presione el botón (D) durante dos segundos.

- (E) Pulse el botón de modo de funcionamiento.
- (G) Pulse el botón TIMER MENU (MENÚ DE TEMPORIZADOR).
- (D) Pulse el botón TIMER ON/OFF (ACTIVAR/DESACTIVAR TEMPORIZADOR).

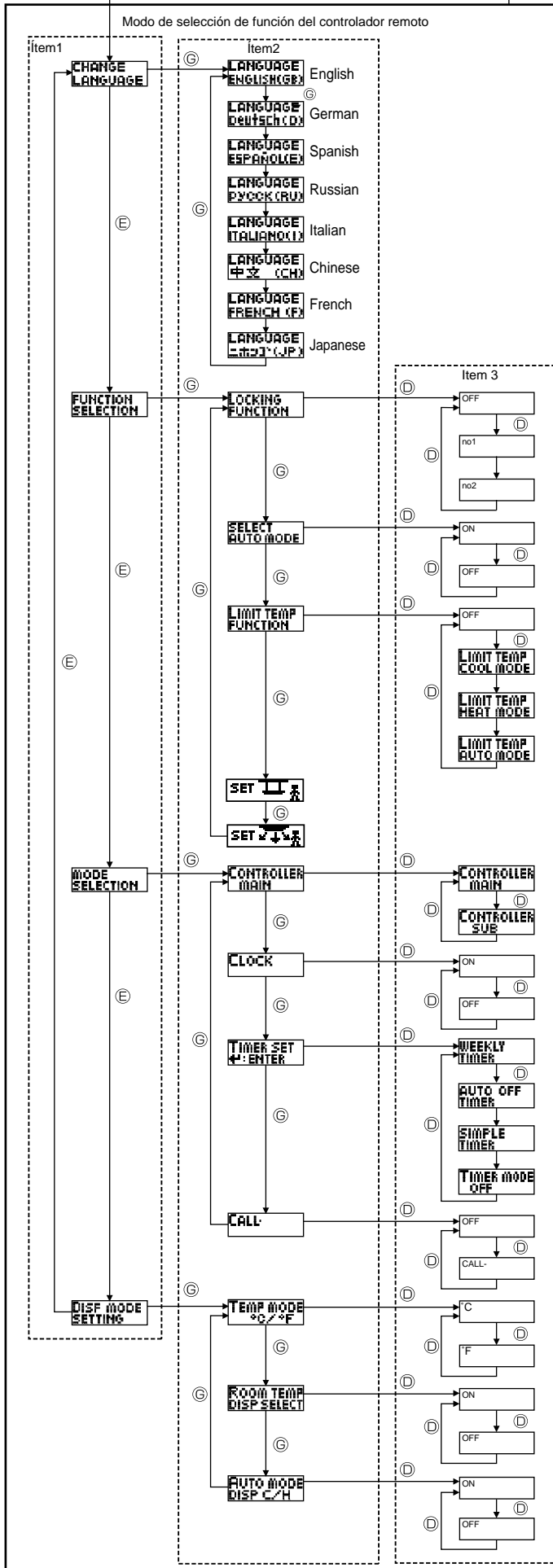


Cambio de idioma

Selección de función

Selección de modo

Cambio de indicador



- El ajuste de función bloqueada no se utiliza (valor de ajuste inicial).
- El bloqueo de funcionamiento está ajustado excepto para los botón On/Off (encendido y apagado).
- El bloqueo de funcionamiento está ajustado para todos los botones.
- El modo automático aparece al seleccionar el modo de funcionamiento (valor de ajuste inicial).
- El modo automático no aparece al seleccionar el modo de funcionamiento.
- El límite de rango de temperatura no está activo (valor de ajuste inicial).
- El rango de temperatura se puede cambiar en modo de refrigeración/ secado.
- El rango de temperatura se puede cambiar en modo de secado.
- El rango de temperatura se puede cambiar en modo automático.
- Modo de funcionamiento arriba/abajo para panel de elevación del filtro automático
No es necesario ajustar este modo. Para más información sobre el funcionamiento, consulte el MANUAL DE INSTRUCCIONES de piezas opcionales (panel).
- Modo de circulación del aire en dirección fija
No es necesario ajustar este modo. Para más información sobre el funcionamiento, consulte el MANUAL DE INSTRUCCIONES de la unidad interior.
- El controlador remoto será el controlador principal (valor de ajuste inicial).
- El controlador remoto será el controlador secundario.
- Se puede utilizar la función de reloj (valor de ajuste inicial).
- La función de reloj no se puede utilizar.
- Se puede utilizar el temporizador semanal (valor de ajuste inicial).
- Se puede utilizar el temporizador de apagado automático.
- Se puede utilizar el temporizador simple.
- No se puede utilizar el modo de temporizador.
- Los números de contacto ajustados no aparecen en caso de error (valor de ajuste inicial).
- Los números de contacto ajustados aparecen en caso de error.
- Se utiliza la unidad de temperatura °C (valor de ajuste inicial).
- Se utiliza la unidad de temperatura °F.
- Aparece la temperatura del aire de la habitación (valor de ajuste inicial).
- No aparece la temperatura del aire de la habitación.
- "Automatic cooling" (Refrigeración automática) o "Automatic heating" (Calefacción automática) aparece cuando está en funcionamiento el modo automático (valor de ajuste inicial).
- En el modo automático, sólo aparece "Automatic" (Automático).

8. Selección de función

[Ajuste detallado]

[4]-1. Ajuste de Cambio de idioma

Se puede seleccionar el idioma que aparece en el indicador de puntos.

- Presione el botón [MENU] para cambiar el idioma.

- ① Inglés (GB), ② Alemán (D), ③ Español (E), ④ Ruso (RU),
- ⑤ Italiano (I), ⑥ Chino (CH), ⑦ Francés (F), ⑧ Japonés (JP)

Consulte la tabla del indicador de puntos.

[4]-2. Límite de funciones

(1) Ajuste del límite de funciones (bloqueo de funciones)

- Para cambiar el ajuste, presione el botón [ON/OFF].
 - ① no1: Se realiza el ajuste de bloqueo de funcionamiento en todos los botones salvo en el botón [ON/OFF].
 - ② no2: Se realiza el ajuste de bloqueo de funcionamiento en todos los botones.
 - ③ OFF (Valor del ajuste inicial):
No se realiza el bloqueo de funcionamiento.
- * Para que el bloqueo de funcionamiento sea válido en la pantalla normal, hay que presionar los botones (Presione y mantenga pulsados a la vez los botones [FILTER] y [ON/OFF] durante dos segundos) en la pantalla normal una vez que se ha realizado el ajuste anterior.

(2) Uso del ajuste de modo automático

Cuando se conecta el controlador remoto a la unidad que tiene ajustado el modo funcionamiento automático, se pueden realizar los siguientes ajustes.

- Para cambiar el ajuste, presione el botón [ON/OFF].
 - ① ON (Valor del ajuste inicial):
Aparece el modo automático cuando se selecciona el modo de funcionamiento.
 - ② OFF:
No aparece el modo automático cuando se selecciona el modo de funcionamiento.

(3) Ajuste del límite de rango de temperatura

Una vez que se realiza el ajuste, se puede cambiar la temperatura dentro del rango establecido.

- Para cambiar el ajuste, presione el botón [ON/OFF].
 - ① LIMIT TEMP MODO FRÍO:
El rango de temperatura se puede cambiar en modo refrigeración/secado.
 - ② LIMIT TEMP MODO CALOR:
El rango de temperatura se puede cambiar en modo calefacción.
 - ③ LIMIT TEMP MODO AUTO:
El rango de temperatura se puede cambiar en modo automático.
 - ④ OFF (ajuste inicial):
No está activo el límite de rango de temperatura.
- * Cuando se ajusta una posición distinta de la de desactivación (OFF), se ajusta a la vez el límite de rango de temperatura en modo refrigeración, calefacción y automático. No obstante, no se puede limitar el rango cuando no ha cambiado el rango de temperatura establecido.
- Para disminuir o aumentar la temperatura, presione el botón [TEMP. (▽) o (△)].
- Para cambiar el ajuste de límite superior y el ajuste de límite inferior, presione el botón [TEMP. (▽) o (△)]. El ajuste seleccionado parpadeará y la temperatura podrá ajustarse.
- Rango ajustable
Modo Refrigeración/Secado:
Límite inferior: 19°C a 30°C, 67 °F a 87 °F
Límite superior: 30°C a 19°C, 87 °F a 67 °F
Modo Calefacción:
Límite inferior: 17°C a 28°C, 63 °F a 83 °F
Límite superior: 28°C a 17°C, 83 °F a 63 °F
Modo Automático:
Límite inferior: 19°C a 28°C, 67 °F a 83 °F
Límite superior: 28°C a 19°C, 83 °F a 67 °F

[4]-3. Ajuste de selección de modo

(1) Ajuste del controlador remoto principal/secundario

- Para cambiar el ajuste, presione el botón [ON/OFF].
 - ① Principal: El controlador será el principal.
 - ② Secundario: El controlador será el secundario.

(2) Uso del ajuste del reloj

- Para cambiar el ajuste, presione el botón [ON/OFF].
 - ① ON: Se puede usar la función de reloj.
 - ② OFF: No se puede usar la función de reloj.

(3) Ajuste de la función de temporizador

- Para cambiar el ajuste, presione el botón [ON/OFF]. (Elija una de las siguientes funciones).
 - ① TEMPORIZADOR SEMANAL (Valor del ajuste inicial):
Se puede usar el temporizador semanal.
 - ② APAGADO AUTOMÁTICO:
Se puede usar el temporizador de desactivación automática.
 - ③ TEMPORIZADOR SIMPLE:
Se puede usar el temporizador simple.
 - ④ TEMPORIZADOR APAGADO:
No se puede usar el modo temporizador.
- * Cuando el uso del ajuste de reloj está desactivado (OFF), no se puede usar el "TEMPORIZADOR SEMANAL".

(4) Ajuste de número de contacto en caso de error

- Para cambiar el ajuste, presione el botón [ON/OFF].
 - ① CALL OFF:
Los números de contacto establecidos no aparecen en el indicador en caso de error.
 - ② CALL **** *:
Los números de contacto establecidos aparecen en el indicador en caso de error.
CALL_:
El número de contacto se puede ajustar cuando la pantalla aparece según se muestra arriba.
- Ajuste de los números de contacto
Para ajustar los números de contacto, proceda del siguiente modo. Mueva el cursor parpadeante para ajustar los números. Presione el botón [TEMP. (▽) y (△)] para mover el cursor a la derecha (izquierda). Presione el botón [CLOCK (▽) y (△)] (Reloj) para ajustar los números.

[4]-4. Ajuste del cambio de indicador

(1) Ajuste del indicador de temperatura °C/°F

- Para cambiar el ajuste, presione el botón [ON/OFF].
 - ① °C: Se utiliza la unidad de temperatura en °C.
 - ② °F: Se utiliza la unidad de temperatura en °F.

(2) Ajuste del indicador de temperatura del aire ambiente

- Para cambiar el ajuste, presione el botón [ON/OFF].
 - ① ON: Aparece la temperatura del aire de aspiración.
 - ② OFF: No aparece la temperatura del aire de aspiración.

(3) Ajuste del indicador de refrigeración/calefacción automática

- Para cambiar el ajuste, presione el botón [ON/OFF].
 - ① ON:
Aparece la posición "Automatic cooling" (Refrigeración automática) o "Automatic heating" (Calefacción automática) en el modo automático.
 - ② OFF:
Sólo aparece la posición "Automatic" (Automático) en el modo automático.

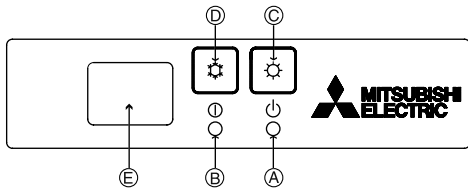
8. Selección de función

[Tabla del indicador de puntos]

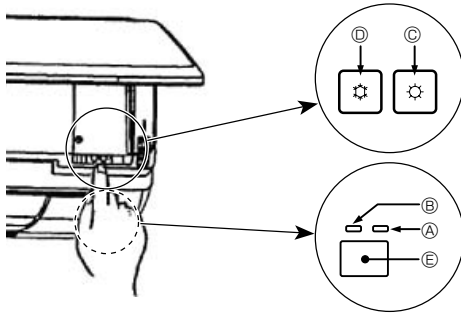
| Idioma ajustado | English | German | Spanish | Russian | Italian | Chinese | French | Japanese | |
|-----------------------------------|---------------------------|-----------------------|----------------------|----------------------|---------------------------|--------------|------------------------|---------------|-----|
| Tiempo de espera de arranque | PLEASE WAIT | ← | ← | ← | ← | ← | ← | ← | |
| Modo de funcionamiento | Enfriamiento | COOL | Kühlen | FRÍO | Холод | COOL | 制冷 | FROID | 冷房 |
| | Secado | DRY | Trocknen | DESHUMIDIFICACIÓN | Сушка | DRY | 除湿 | DESHU | ドライ |
| | Calefacción | HEAT | Heizen | CALOR | Тепло | HEAT | 制热 | CHAUD | 暖房 |
| | Automático | AUTO | AUTO | AUTO MÁTICO | Автомат | AUTO | 自动 | AUTO | 自動 |
| | Automático (Enfriamiento) | COOL | Kühlen | FRÍO | Холод | COOL | 制冷 | FROID | 冷房 |
| | Automático (Calefacción) | HEAT | Heizen | CALOR | Тепло | HEAT | 制热 | CHAUD | 暖房 |
| | Ventilador | FAN | Lüfter | VENTILACIÓN | Вент | VENTILAZIONE | 送风 | VENTILATION | 送風 |
| | Ventilación | VENTILATION | Gebälsebetrieb | VENTILACIÓN | Вентиляция | ARIA ESTERNA | 换气 | VENTILATION | 換気 |
| | Espera (calentando) | STAND BY | STAND BY | CALENTANDO | ОБОГРЕВ ПАУЗА | STAND BY | 准备中 | PRE CHAUFFAGE | 準備中 |
| Descongelación | DEFROST | Abtauen | DESCONGELACIÓN | ОТТАВАИВАНИЕ | SGRINAMENTO | 除霜中 | DEGIVRAGE | 霜取中 | |
| Temperatura ajustada | SET TEMP | TEMP einstellen | TEMP. CONSIGNA | ЦЕЛЕВАЯ ТЕМПЕРАТУРА | IMPOSTAZIONE TEMPERTURA | 设定温度 | REGLAGE TEMPERATURE | 設定温度 | |
| Velocidad del ventilador | FAN SPEED | Lüftergeschwindigkeit | VELOCIDAD VENTILADOR | СКОРОСТЬ ВЕНТИЛЯТОРА | VELOCITÀ VENTILATORE | 风速 | VITESSE DE VENTILATION | 風速 | |
| Botón no disponible | NOT AVAILABLE | nicht verfügbar | NO DISPONIBLE | НЕ ДОСТУПНО | NON DISPONIBILE | 无效按钮 | NON DISPONIBLE | 無効ボタン | |
| Comprobación (error) | CHECK | Prüfen | COMPROBAR | ПРОВЕРКА | CHECK | 検査 | CONTROLE | 点検 | |
| Prueba de funcionamiento | TEST RUN | Testbetrieb | TEST FUNCIONAMIENTO | ТЕСТОВЫЙ ЗАПУСК | TEST RUN | 试运行 | TEST | 試運転 | |
| Auto-revisión | SELF CHECK | Selbst-diagnose | AUTO REVISIÓN | САМОДИАГНОСТИКА | SELF CHECK | 自我诊断 | AUTO CONTROLE | 自己診断 | |
| Selección de función en la unidad | FUNCTION SELECTION | Funktion AUSWAHL | SELECCIÓN DE FUNCIÓN | ВЫБОР ФУНКЦИИ | SELEZIONE FUNZIONI | 功能选择 | SELECTION FONCTIONS | メニュー選択 | |
| Ajuste de ventilación | SETTING OF VENTILATION | Lüfterstufen wählen | CONFIG. VENTILACIÓN | НАСТРОЙКА ВЕНТИЛЯЦИИ | IMPOSTAZIONE ARIA ESTERNA | 换气设定 | SELECTION VENTILATION | 換気設定 | |

| Idioma ajustado | English | German | Spanish | Russian | Italian | Chinese | French | Japanese |
|---------------------------------------------------------------------|-----------------------|------------------------|-------------------------|--------------------------|---------------------------|---------|-------------------------|-----------|
| Cambio de idioma | CHANGE LANGUAGE | ← | ← | ← | ← | ← | ← | ← |
| Selección de función | FUNCTION SELECTION | Funktion AUSWAHL | SELECCIÓN DE FUNCIONES | ВЫБОР ФУНКЦИИ | SELEZIONE FUNZIONI | 功能限制 | SELECTION FONCTIONS | メニュー制限 |
| Ajuste de límite de funcionamiento de una operación | LOCKING FUNCTION | Sperre - Funktion | FUNCION BLOQUEADA | ФУНКЦИЯ БЛОКИРОВКИ | BLOCCO FUNZIONI | 操作限制 | BLOCAGE FONCTIONS | 操作ロック |
| Utilización del ajuste de modo automático | SELECT AUTO MODE | Auswahl AUTO Betrieb | SELECCIÓN MODO AUTO | ВЫБОР РЕЖИМА АВТО | SELEZIONE MODO AUTO | 自动模式 | SELECTION DU MODO AUTO | 自動モード |
| Ajuste de límite de rango de temperatura | LIMIT TEMP FUNCTION | Limit TEMP Funktion | LIMIT TEMP CONSIGNA | ОГРАНИЧЕНИЕ УЛТ.ТЕМПЕРАТ | LIMITAZIONE TEMPERATURA | 温度限制 | LIMITATION TEMPERATURE | 温度制限 |
| Límite de temperatura modo refrigeración/día | LIMIT TEMP COOL MODE | Limit Kühl Temp | LIMIT TEMP MODO FRÍO | ОГРАНИЧЕНО ОХЛАЖДЕНИЕ | LIMITAZIONE MODO COOL | 制冷范围 | LIMITE TEMP MODO FROID | 制冷房 |
| Límite de temperatura modo de calefacción | LIMIT TEMP HEAT MODE | Limit Heiz Temp | LIMIT TEMP MODO CALOR | ОГРАНИЧЕН ОБОГРЕВ | LIMITAZIONE MODO HEAT | 制热范围 | LIMITE TEMP MODO CHAUD | 制暖房 |
| Límite de temperatura modo automático | LIMIT TEMP AUTO MODE | Limit AUTO temp | LIMIT TEMP MODO AUTO | ОГРАНИЧЕН РЕЖИМ АВТО | LIMITAZIONE MODO AUTO | 自动范围 | LIMITE TEMP MODO AUTO | 制自動 |
| Selección de modo | MODE SELECTION | Betriebsart wählen | SELECCIÓN DE MODO | ВЫБОР РЕЖИМА | SELEZIONE MODO | 基本模式 | SELECTION DU MODO | 基本メニュー |
| Ajuste de controlador remoto MAIN (PRINCIPAL) | CONTROLLER MAIN | Haupt Controller | CONTROL PRINCIPAL | ОСНОВНОЙ ПУЛЬТ | CONTROLLO MAIN | 遥控主 | TELCOMMANDE MAITRE | リモコン主側 |
| Ajuste de controlador remoto SUB (SECUNDARIO) | CONTROLLER SUB | Neben Controller | CONTROL SECUNDARIO | ДОПОЛНИТЕЛЬНЫЙ ПУЛЬТ | CONTROLLO SUB | 遥控辅 | TELCOMMANDE ESCLAVE | リモコン主側 |
| Utilización del ajuste del reloj | CLOCK | Uhr | RELOJ | ЧАСЫ | OROLOGIO | 时钟 | AFFICHAGE HORLOGE | 時計 |
| Ajuste del día de la semana y la hora | TIME SET | Uhr stellen | CONFIG RELOJ | ЧАСЫ:УСТ. | OROLOGIO | 时间 | HORLOGE | トイセッテイ |
| Ajuste del temporizador | TIMER SET | Zeitschaltuhr | TEMPORIZA - DOR | ТАЙМЕР:УСТ. | TIMER | 定时器 | PROG HORAIRE | タイマーセッテイ |
| Visualización del temporizador | TIMER MONITOR | Uhrzeit Anzeige | VISUALIZAR TEMPORIZAD. | ПРОСМОТР ТАЙМЕРА | VISUALIZ TIMER | 定时器状态 | AFFICHAGE PROG HORAIRE | タイマーモニター |
| Temporizador semanal | WEEKLY TIMER | Wochenzeit schalt Uhr | TEMPORIZA - DOR SEMANAL | НЕДЕЛЬНЫЙ ТАЙМЕР | TIMER SETTIMANALE | 每周定时器 | PROG HERDO MADAIRE | タイマー週間 |
| Modo de temporizador apagado | TIMER MODE OFF | Zeitschaltuhr AUS | TEMPORIZA - DOR APAGADO | ТАЙМЕР ВЫКЛ. | TIMER OFF | 定时器无效 | PROG HORAIRE INACTIF | タイマー無効 |
| Temporizador de apagado automático | AUTO OFF TIMER | AUTO Zeit funktion AUS | APAGADO AUTOMÁTICO | АВТООТКЛЮЧ. ПО ТАЙМЕРУ | AUTO OFF TIMER | 解除定时 | PROG HORAIRE ARRET AUTO | タイマーキャンセル |
| Temporizador simple | SIMPLE TIMER | Einfache Zeitfunktion | TEMPORIZA - DOR SIMPLE | ПРОСТОЙ ТАЙМЕР | TIMER SEMPLIFICATO | 简易定时器 | PROG HORAIRE SIMPLIE | タイマーカンイ |
| Ajuste de número de contacto en caso de avería | CALL | ← | ← | ← | ← | ← | ← | ← |
| Cambio de indicación | DISP MODE SETTING | Anzeige Betriebsart | MOSTRAR MODO | НАСТРОЙКА ИЛИ РЕЖИМА | IMPOSTAZIONE MODO DISPLAY | 转换表示 | AFFICHAGE SOUS MENU | 表示切替 |
| Ajuste de visualización de temperatura °C/°F | TEMP MODE | Wechsel | TEMPERADOS | ЕДИН.ТЕМПЕРАТ | TEMPERATURA | 温度 | TEMPERATURE | 温度 |
| Ajuste de visualización de la temperatura del aire de la habitación | ROOM TEMP DISP SELECT | Raum Temp gewährit | MOSTRAR TEMP. | ПОКАЗЫВАТЬ ТЕМП.В КОМН. | TEMPERATURA AMBIENTE | 吸入温度 | TEMPERATURE AMBIANTE | スィコンド |
| Ajuste de visualización de refrigeración/calefacción automática | AUTO MODE DISP C/H | Auto Betrieb C/H | MOSTRAR F/C EN AUTO | ИЛИ Т/Х В РЕЖИМЕ АВТО | AUTO C/H | 自动表示 | AFFICHAGE AUTO F/C | 自動表示 |

9. Funcionamiento de emergencia del controlador remoto inalámbrico



(Para PKFY-P-NHMU-E)



Cuando no puede utilizar el controlador remoto

Cuando se agoten las pilas del controlador remoto o éste tenga algún fallo, puede llevar a cabo el funcionamiento de emergencia mediante los botones de emergencia que se encuentran del controlador.

- Ⓐ Luz DEFROST/STAND BY (DESCONGELACIÓN/RESERVA)
- Ⓑ Luz de funcionamiento
- Ⓒ Interruptor de funcionamiento de emergencia (calefacción)
- Ⓓ Interruptor de funcionamiento de emergencia (refrigeración)
- Ⓔ Receptor

Inicio del funcionamiento

- Para poner en funcionamiento el modo de enfriamiento, mantenga apretado el botón Ⓓ durante más de 2 segundos.
- Para poner en funcionamiento el modo de calefacción, mantenga apretado el botón Ⓒ durante más de 2 segundos.

Nota:

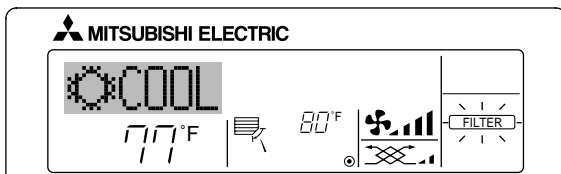
- Los detalles correspondientes al modo de emergencia aparecen a continuación. Los detalles correspondientes al MODO DE EMERGENCIA aparecen a continuación.

| Modo de funcionamiento | REFRIGERACIÓN | CALEFACCIÓN |
|-----------------------------|---------------|-------------------|
| Temperatura | 24°C, 75 °F | 24°C, 75 °F |
| Velocidad del ventilador | Alta | Alta |
| Dirección del flujo de aire | Horizontal | Hacia abajo 4 (5) |

Parada del funcionamiento

- Para detener el funcionamiento, pulse el botón Ⓓ o el botón Ⓒ durante más de 2 segundos.

10. Mantenimiento y limpieza



- Indica que el filtro necesita una limpieza. Limpie el filtro.
- Cuando restablezca el indicador "FILTER" (Filtro) Cuando presiona el botón [FILTER] (Filtro) dos veces sucesivamente después de haber limpiado el filtro, el indicador se apagará y se restablecerá.

Nota:

- Cuando se controlan dos o más tipos diferentes de unidad interior, el periodo de limpieza difiere con el tipo de filtro. Cuando llega el momento de limpiar la unidad principal, aparece "FILTER" (Filtro). Cuando se apague el indicador del filtro, el tiempo acumulado se reajustará.
- "FILTER" (Filtro) indica el periodo de limpieza en que se usó el acondicionador de aire bajo las condiciones generales de aire interior por tiempo. Ya que el grado de suciedad depende de las condiciones ambientales, limpie el filtro de acuerdo con las circunstancias.
- El periodo acumulado de limpieza del filtro difiere según el modelo.
- Esta indicación no está disponible en el controlador remoto inalámbrico.

► Limpieza de los filtros

- Limpie los filtros con ayuda de una aspiradora. Si no tiene aspiradora, golpee suavemente los filtros contra un objeto sólido para desprender el polvo y la suciedad.
- Si los filtros están especialmente sucios, lávelos con agua tibia. Tenga cuidado de aclarar bien cualquier resto de detergente y deje que los filtros se sequen completamente antes de volver a ponerlos en la unidad.

⚠ Cuidado:

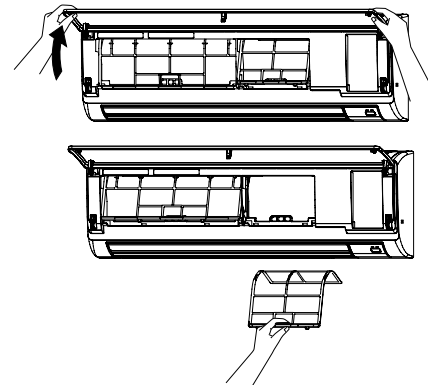
- No seque los filtros colocándolos al sol o con una fuente de calor como el de una estufa eléctrica; podrían deformarse.
- No lave los filtros en agua caliente (más de 50°C, 122°F) ya que se deformarían.
- Cerciórese de que los filtros están siempre instalados. El funcionamiento de la unidad sin filtros puede provocar un mal funcionamiento.
- Antes de empezar la limpieza, apague la fuente de alimentación.
- Las unidades interiores están equipadas con un filtro que elimina el polvo del aire aspirado. Limpie el filtro usando los métodos indicados en las ilustraciones siguientes.

► Retirada del filtro

⚠ Cuidado:

- Al retirar el filtro, tenga cuidado de protegerse los ojos del polvo. Asimismo, si para hacerlo tiene que subirse a un taburete, tenga cuidado de no caerse.
- Una vez retirado el filtro, no toque las partes metálicas que hay en la unidad interior, ya que puede causarle heridas.

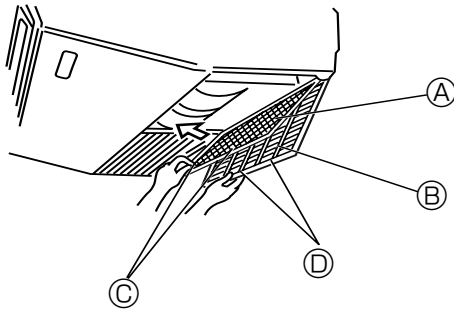
■ PKFY-P-NBMU-E PKFY-P-NHMU-E



- ① Tire hacia afuera de los dos botones situados en las esquinas de la rejilla de entrada y levante el filtro.

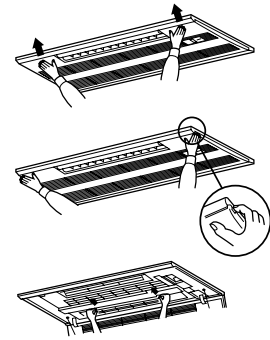
10. Mantenimiento y limpieza

■ PCFY-P-NKMU-E



- ① Abra la rejilla de admisión.
 - ② Sujete la perilla del filtro y luego tire del filtro hacia arriba en la dirección de la flecha. Al colocar el filtro después de la limpieza, asegúrese de introducir el filtro lo suficiente hasta que encaje en el tope.
- A Filtro B Rejilla de admisión C Perilla D Tope

■ PMFY-P-NBMU-E



- ① Pulsando el botón PUSH de parte externa de la rejilla de admisión ésta se abrirá.
- ② Un filtro que tenga una rejilla de admisión se puede extraer tirando de él.

11. Localización de fallos

| ¿Problemas? | Aquí tiene la solución. (La unidad funciona normalmente). |
|--------------------------------------------------------------------------------------------------------------------------------------------|----------------------------------------------------------------------------------------------------------------------------------------------------------------------------------------------------------------------------------------------------------------------------------------------------------------------------------------------------------------------------------------------------------------------------------------------------------------------------------------------------------------------------------------------------------|
| El acondicionador de aire no calienta o refrigera bien. | <ul style="list-style-type: none"> ■ Limpie el filtro (el flujo de aire se reduce cuando el filtro está sucio o atascado). ■ Compruebe el ajuste de temperatura y modifique la temperatura ajustada. ■ Asegúrese de que hay espacio suficiente alrededor de la unidad exterior. ¿Está bloqueada la entrada o la salida de aire de la unidad interior? ■ ¿Ha dejado abierta una puerta o ventana? |
| Cuando comienza el modo de calefacción, al principio no sale aire caliente de la unidad interior. | <ul style="list-style-type: none"> ■ El aire caliente no empieza a salir hasta que la unidad interior se ha calentado lo suficiente. |
| Durante el modo de calefacción, el acondicionador de aire se detiene antes de alcanzar la temperatura ajustada para la habitación. | <ul style="list-style-type: none"> ■ Cuando la temperatura exterior es baja y la humedad es alta, puede formarse escarcha en la unidad exterior. Si esto sucede, la unidad exterior iniciará la operación de descongelación. Una vez transcurridos unos 10 minutos, se reanuda el funcionamiento normal. |
| La dirección del aire cambia durante el funcionamiento o no es posible cambiar la dirección del flujo de aire. | <ul style="list-style-type: none"> ■ Durante el modo de refrigeración, los deflectores se mueven automáticamente a la posición horizontal (inferior) tras 1 hora cuando se ha seleccionado la dirección de flujo de aire inferior (horizontal). De esta forma se evita que se acumule agua y caiga desde los deflectores. ■ Durante el modo de calefacción, los deflectores se mueven automáticamente a la posición de flujo de aire horizontal si la temperatura del flujo de aire es baja o durante el modo de descongelación. |
| Cuando cambia la dirección del flujo de aire, los deflectores siempre se mueven arriba y abajo antes de detenerse en la posición ajustada. | <ul style="list-style-type: none"> ■ Cuando cambia la dirección del flujo de aire, los deflectores se mueven a la posición ajustada tras haber detectado la posición base. |
| Se oye un sonido de agua fluyendo o, en ocasiones, una especie de silbido. | <ul style="list-style-type: none"> ■ Estos sonidos se pueden oír cuando el refrigerante fluye por el acondicionador de aire o cuando cambia el flujo del refrigerante. |
| Se oye un traqueteo o un chirrido. | <ul style="list-style-type: none"> ■ Estos ruidos se oyen cuando las piezas rozan entre sí debido a la expansión y contracción provocadas por los cambios de temperatura. |
| Hay un olor desagradable en la sala. | <ul style="list-style-type: none"> ■ Estos ruidos se oyen cuando las piezas rozan entre sí debido a la expansión y contracción provocadas por los cambios de temperatura. |
| La unidad interior expulsa un vaho o humo blanco. | <ul style="list-style-type: none"> ■ Si la temperatura y la humedad de la unidad interior son altas, esto puede suceder inmediatamente tras encender el acondicionador de aire. ■ Durante el modo de descongelación, el aire frío puede salir hacia abajo con la apariencia de vaho. |

11. Localización de fallos

| ¿Problemas? | Aquí tiene la solución. (La unidad funciona normalmente). | | | | | | | | | | | | |
|------------------------------------------------------------------------------------------------------------------------------------------------------------------------------------------------|------------------------------------------------------------------------------------------------------------------------------------------------------------------------------------------------------------------------------------------------------------------------------------------------------------------------------------------------------------------------------------------------------------------------------------------------------------------------------------------------------------------------------------------------------------------------------------------------------------------------------------------------------------------------------------------------------------------------------------------------------------------------------------------------------------------------------|-------------------------------------------|--------------------------------------|----------------|--------------------------------------|---------------------|-----------------------------------------------------|-------------------------------------------|------------------------------|------------------|----------|-----------|-----------|
| La unidad exterior expulsa agua o vapor. | <ul style="list-style-type: none"> ■ Durante el modo de refrigeración, puede acumularse agua y gotear de las tuberías y juntas de refrigeración. ■ Durante el modo de calefacción, puede acumularse agua y gotear del intercambiador de calor. ■ Durante el modo de descongelación, el agua del intercambiador de calor se evapora, por lo que se emite vapor de agua. | | | | | | | | | | | | |
| El indicador de operación no aparece en la pantalla del controlador remoto. | <ul style="list-style-type: none"> ■ Encienda el equipo. En la pantalla del controlador remoto aparecerá el indicador "●". | | | | | | | | | | | | |
| El acondicionador de aire no funciona siquiera pulsando el botón ON/OFF. La pantalla del modo de funcionamiento del controlador remoto desaparece. | <ul style="list-style-type: none"> ■ ¿Está desconectado el interruptor de red de la unidad interior? Conecte el interruptor de red. | | | | | | | | | | | | |
| En la pantalla del controlador remoto aparece "❏". | <ul style="list-style-type: none"> ■ Durante el control central, "❏" aparece en la pantalla del controlador remoto. El funcionamiento del acondicionador de aire no se puede iniciar ni detener con el controlador remoto. | | | | | | | | | | | | |
| Al reiniciar el acondicionador de aire poco después de apagarlo, no funciona al pulsar el botón ON/OFF (ENCENDIDO/APAGADO). | <ul style="list-style-type: none"> ■ Espere unos tres minutos. (El funcionamiento se ha detenido para proteger el acondicionador de aire) | | | | | | | | | | | | |
| El acondicionador de aire funciona sin haber pulsado el botón ON/OFF (ENCENDIDO/APAGADO). | <ul style="list-style-type: none"> ■ ¿Está ajustado el temporizador de encendido? Pulse el botón ON/OFF (ENCENDIDO/APAGADO) para detener el funcionamiento. ■ ¿El acondicionador de aire está conectado a un controlador remoto central? Consulte a la persona encargada de controlar el acondicionador de aire. ■ ¿Aparece "❏" en la pantalla del controlador remoto? Consulte a la persona encargada de controlar el acondicionador de aire. ■ ¿Se ha ajustado la función de auto-recuperación para caídas de tensión? Pulse el botón ON/OFF (ENCENDIDO/APAGADO) para detener el funcionamiento. | | | | | | | | | | | | |
| El acondicionador de aire se detiene sin haber pulsado el botón ON/OFF (ENCENDIDO/APAGADO). | <ul style="list-style-type: none"> ■ ¿Está ajustado el temporizador de apagado? Pulse el botón ON/OFF (ENCENDIDO/APAGADO) para reiniciar el funcionamiento. ■ ¿El acondicionador de aire está conectado a un controlador remoto central? Consulte a la persona encargada de controlar el acondicionador de aire. ■ ¿Aparece "❏" en la pantalla del controlador remoto? Consulte a la persona encargada de controlar el acondicionador de aire. | | | | | | | | | | | | |
| No es posible ajustar el funcionamiento del temporizador del controlador remoto. | <ul style="list-style-type: none"> ■ ¿Los ajustes del temporizador no son válidos? Si el temporizador se puede ajustar, WEEK LY, SIMPLE o AUTO OFF aparecerán en la pantalla del controlador remoto. | | | | | | | | | | | | |
| En la pantalla del controlador remoto aparece "PLEASE WAIT" (POR FAVOR, ESPERE). | <ul style="list-style-type: none"> ■ Se han realizado los ajustes iniciales. Espere unos 3 minutos. | | | | | | | | | | | | |
| En la pantalla del controlador remoto aparece un código de error. | <ul style="list-style-type: none"> ■ Los dispositivos de protección se han activado para proteger el acondicionador de aire. ■ No intente reparar el equipo usted mismo. Apague inmediatamente el acondicionador de aire y póngase en contacto con su distribuidor. Asegúrese de indicar al distribuidor el nombre del modelo y la información que aparecía en la pantalla del controlador remoto. | | | | | | | | | | | | |
| Se oye un ruido de drenaje de agua o rotación de motor. | <ul style="list-style-type: none"> ■ Cuando se detiene el funcionamiento de refrigeración, la bomba de drenaje se activa y luego se detiene. Espere unos 3 minutos. | | | | | | | | | | | | |
| El ruido es mayor de lo indicado en las especificaciones. | <ul style="list-style-type: none"> ■ El nivel de ruido de servicio en interiores se ve afectado por la acústica de acuerdo con la siguiente tabla y será superior a la especificación de ruido, la cual fue medida en una sala sin eco. <table border="1" style="width: 100%; border-collapse: collapse; text-align: center;"> <thead> <tr> <th></th> <th>Salas de alta absorbencia del sonido</th> <th>Salas normales</th> <th>Salas de baja absorbencia del sonido</th> </tr> </thead> <tbody> <tr> <td>Ejemplos de lugares</td> <td>Estudio de radiotransmisión, salas de mezclas, etc.</td> <td>Sala de recepción, hall de un hotel, etc.</td> <td>Oficina, habitación de hotel</td> </tr> <tr> <td>Niveles de ruido</td> <td>3 a 7 dB</td> <td>6 a 10 dB</td> <td>9 a 13 dB</td> </tr> </tbody> </table> | | Salas de alta absorbencia del sonido | Salas normales | Salas de baja absorbencia del sonido | Ejemplos de lugares | Estudio de radiotransmisión, salas de mezclas, etc. | Sala de recepción, hall de un hotel, etc. | Oficina, habitación de hotel | Niveles de ruido | 3 a 7 dB | 6 a 10 dB | 9 a 13 dB |
| | Salas de alta absorbencia del sonido | Salas normales | Salas de baja absorbencia del sonido | | | | | | | | | | |
| Ejemplos de lugares | Estudio de radiotransmisión, salas de mezclas, etc. | Sala de recepción, hall de un hotel, etc. | Oficina, habitación de hotel | | | | | | | | | | |
| Niveles de ruido | 3 a 7 dB | 6 a 10 dB | 9 a 13 dB | | | | | | | | | | |
| No aparece nada en la pantalla del controlador remoto inalámbrico, las indicaciones apenas se ven o la unidad interior no recibe las señales a menos que el controlador remoto esté muy cerca. | <ul style="list-style-type: none"> ■ Las pilas apenas tienen carga. Sustitúyalas y pulse el botón Reset (Restablecimiento). ■ Si la situación no cambia al sustituir las pilas, asegúrese de que están colocadas con la polaridad correcta (+, -). | | | | | | | | | | | | |
| La luz de funcionamiento situada junto al receptor del controlador remoto inalámbrico de la unidad interior parpadea. | <ul style="list-style-type: none"> ■ La función de autodiagnóstico se ha activado para proteger el acondicionador de aire. ■ No intente reparar el equipo usted mismo. Apague inmediatamente el acondicionador de aire y póngase en contacto con su distribuidor. Asegúrese de indicar al distribuidor el nombre del modelo. | | | | | | | | | | | | |
| Cuando el modo de calentamiento está apagado o durante el modo de ventilación, sale aire caliente de la unidad interior de forma intermitente. | <ul style="list-style-type: none"> ■ Cuando otra unidad interior está funcionando en modo de calentamiento, la válvula de mando se abre y se cierra de vez en cuando para mantener la estabilidad del sistema de aire acondicionado. Esta operación se detiene al cabo de un rato. * Si ello provoca un aumento inadmisibles en la temperatura ambiente de salas pequeñas, etc. detenga la unidad interior temporalmente. | | | | | | | | | | | | |

12. Especificaciones

■ Serie PKFY

| Modelo | | PKFY-P06NBMU-E | PKFY-P08NBMU-E | PKFY-P12NHMU-E | PKFY-P15NHMU-E | PKFY-P18NHMU-E |
|----------------------------------------------------------------------|-----------------------|------------------------|----------------|----------------|----------------|----------------|
| Alimentación | | Monofase 208/230V 60Hz | | | | |
| Capacidad | Refrigeración <BTU/h> | 6000 | 8000 | 12000 | 15000 | 18000 |
| | Calefacción <BTU/h> | 6700 | 9000 | 13500 | 17000 | 20000 |
| Dimensión | Altura <inch> | 11-5/8 | | | | |
| | Ancho <inch> | 32-1/8 | | 35-3/8 | | |
| | Profundidad <inch> | 8-7/8 | | 9-13/16 | | |
| Peso neto | <lbs> | 22 | | 29 | | |
| Régimen de flujo de aire del ventilador (bajo-medio2-medio1-alto) | SECO <CFM> | 170-180-200-210 | | 320-355-390 | 320-370-405 | 320-370-425 |
| | HÚMEDO <CFM> | 160-170-180-190 | | 290-320-350 | 290-335-365 | 290-335-380 |
| Nivel de ruido (bajo-medio2-medio1-alto) | <dB(A)> | 32-33-35-36 | | 34-38-42 | 34-38-42 | 36-41-45 |

■ Serie PCFY

| Modelo | | PCFY-P15NKMU-E | PCFY-P24NKMU-E | PCFY-P30NKMU-E | PCFY-P36NKMU-E |
|----------------------------------------------------------------------|-----------------------|------------------------|-----------------|-----------------|------------------|
| Alimentación | | Monofase 208/230V 60Hz | | | |
| Capacidad | Refrigeración <BTU/h> | 15000 | 24000 | 30000 | 36000 |
| | Calefacción <BTU/h> | 17000 | 27000 | 34000 | 40000 |
| Dimensión | Altura <inch> | 9-1/16 | | | |
| | Ancho <inch> | 37-13/16 | 50-3/8 | 63 | |
| | Profundidad <inch> | 26-3/4 | | | |
| Peso neto | <lbs> | 53 | 71 | 79 | 84 |
| Régimen de flujo de aire del ventilador (bajo-medio2-medio1-alto) | SECO <CFM> | 350-390-420-460 | 490-530-570-640 | 710-780-880-990 | 740-850-950-1090 |
| | HÚMEDO <CFM> | 330-370-400-440 | 470-500-540-610 | 670-740-840-940 | 700-810-900-1040 |
| Nivel de ruido (bajo-medio2-medio1-alto) | <dB(A)> | 29-32-34-36 | 31-33-35-37 | 34-37-40-43 | 36-39-42-44 |

■ Serie PMFY

| Modelo | | PMFY-P06NBMU-E | PMFY-P08NBMU-E | PMFY-P12NBMU-E | PMFY-P15NBMU-E |
|----------------------------------------------------------------------|-----------------------|------------------------|-----------------|----------------|-----------------|
| Alimentación | | Monofase 208/230V 60Hz | | | |
| Capacidad | Refrigeración <BTU/h> | 6000 | 8000 | 12000 | 15000 |
| | Calefacción <BTU/h> | 6700 | 9000 | 13500 | 17000 |
| Dimensión (Panel) | Altura <inch> | 9-1/16 (1-3/16) | | | |
| | Ancho <inch> | 33-5/8 (39-3/8) | | | |
| | Profundidad <inch> | 1/-9/16 (18-1/2) | | | |
| Peso neto (Panel) | <lbs> | 31 (7) | | | |
| Régimen de flujo de aire del ventilador (bajo-medio2-medio1-alto) | SECO <CFM> | 230-250-280-300 | 250-280-300-320 | | 270-300-340-370 |
| | HÚMEDO <CFM> | 200-220-250-270 | 220-250-270-290 | | 240-270-310-340 |
| Nivel de ruido (bajo-medio2-medio1-alto) | <dB(A)> | 27-30-33-35 | 32-34-36-37 | | 33-35-37-39 |

1. La capacidad del modo refrigeración/calefacción indica el valor máximo del funcionamiento bajo las siguientes condiciones.

Refrigeración : Interior 27°C DB, 81°F DB/19°C WB, 66°F WB, Exterior 35°C DB, 95°F DB

Calefacción : Interior 20°C DB, 68°F DB, Exterior 7°C DB, 45°F DB/ 6°C WB, 43°F WB

Margen de aplicación

El margen de temperaturas de trabajo de la serie Y tanto de la unidad interior como de la exterior, es el que se indica a continuación.

⚠Cuidado:

El uso del acondicionador de aire fuera de estos márgenes de temperatura y humedad puede dar lugar a serias averías.

| Modo | Unidad interior | Unidad exterior |
|--------------|--------------------------------|----------------------------------|
| | | PUHY |
| Enfriamiento | 15°C - 24°C WB, 59°F - 75°F WB | -5°C - 43°C DB, 23°F - 110°F DB |
| Calefacción | 15°C - 27°C DB, 59°F - 81°F DB | -15°C - 15,5°C WB, 5°F - 60°F WB |

Nota: Como humedad estándar aplicable, recomendamos un margen entre el 30 y el 80% de humedad relativa, tanto para la unidad exterior como para la interior.

⚠Atención:

Si el acondicionador de aire funciona pero no genera fresco ni calefacción en la habitación (dependiendo del modelo), consulte con su distribuidor ya que puede tratarse de una fuga de refrigerante. Debe preguntar al responsable del mantenimiento si existe o no una fuga de refrigerante cuando se lleve a cabo la reparación.

El refrigerante cargado en el acondicionador de aire es seguro y normalmente no tiene fugas. No obstante, si existe pérdida de gas refrigerante en el interior y entra en contacto con las llamas del calentador de un ventilador, calentador, horno o aparato similar, se generarán sustancias nocivas.

This product is designed and intended for use in the residential,
commercial and light-industrial environment.

Please be sure to put the contact address/telephone number on
this manual before handing it to the customer.