



BOSE® centre speaker bracket for flatscreen TV

Elegant bracket to attach a BOSE® centre speaker array to your flatscreen TV*. Fits all 5.1 BOSE® home entertainment systems and 5.1 BOSE® home cinema speaker systems. To be used exclusively with the UBTV-20.

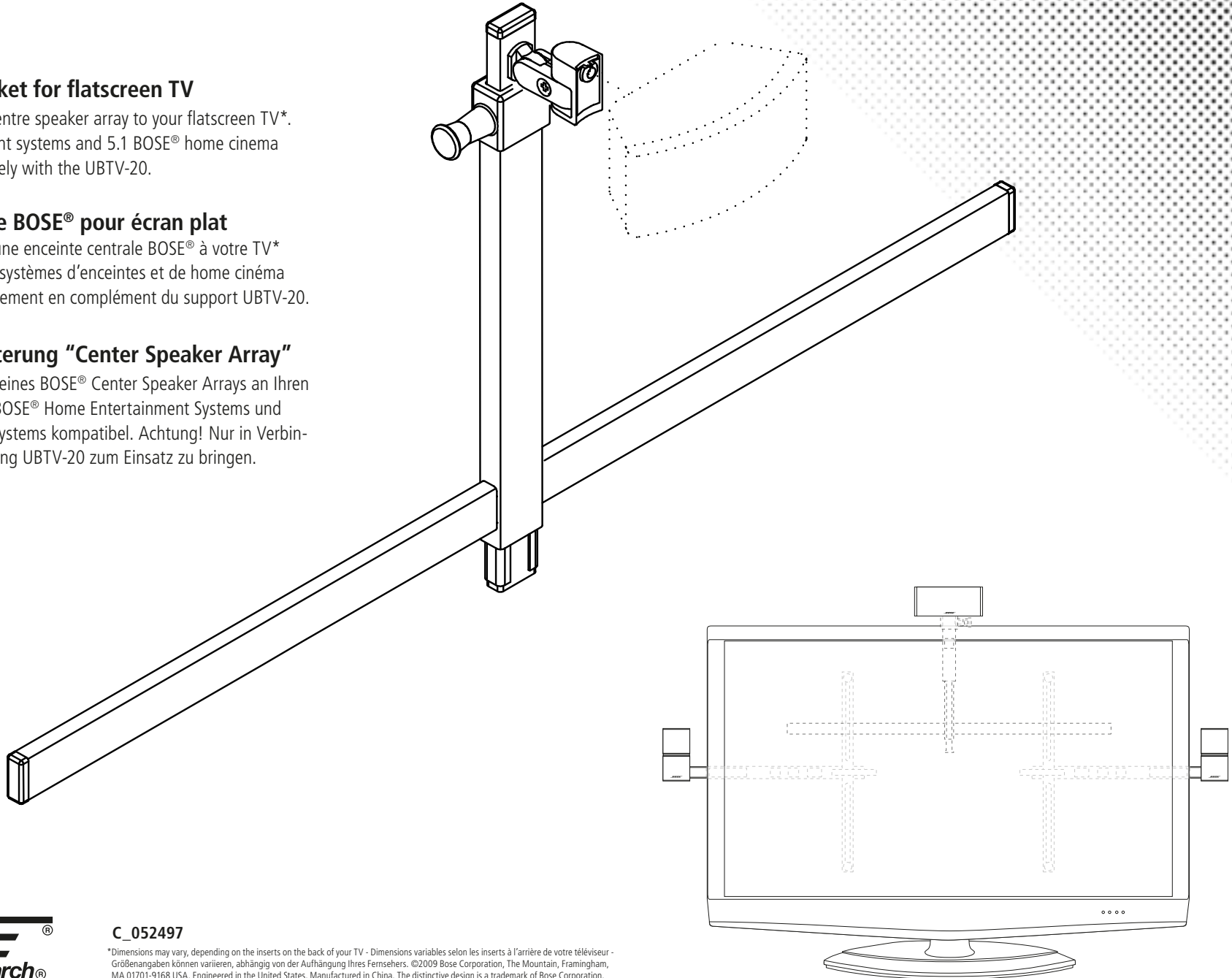
Support d'enceinte centrale BOSE® pour écran plat

Système discret permettant de fixer une enceinte centrale BOSE® à votre TV* écran plat. Compatible avec tous les systèmes d'enceintes et de home cinéma BOSE® de type 5.1. À utiliser exclusivement en complément du support UBTV-20.

BOSE® TV-Lautsprecherhalterung "Center Speaker Array"

Funktionelle Halterung zur Montage eines BOSE® Center Speaker Arrays an Ihren Flachbildschirm*. Ist mit sämtlichen BOSE® Home Entertainment Systems und BOSE® (5.1) Home Cinema Speaker Systems kompatibel. Achtung! Nur in Verbindung mit der TV-Lautsprecherhalterung UBTV-20 zum Einsatz zu bringen.

UBTV-20C



BOSE®
Better sound through research®

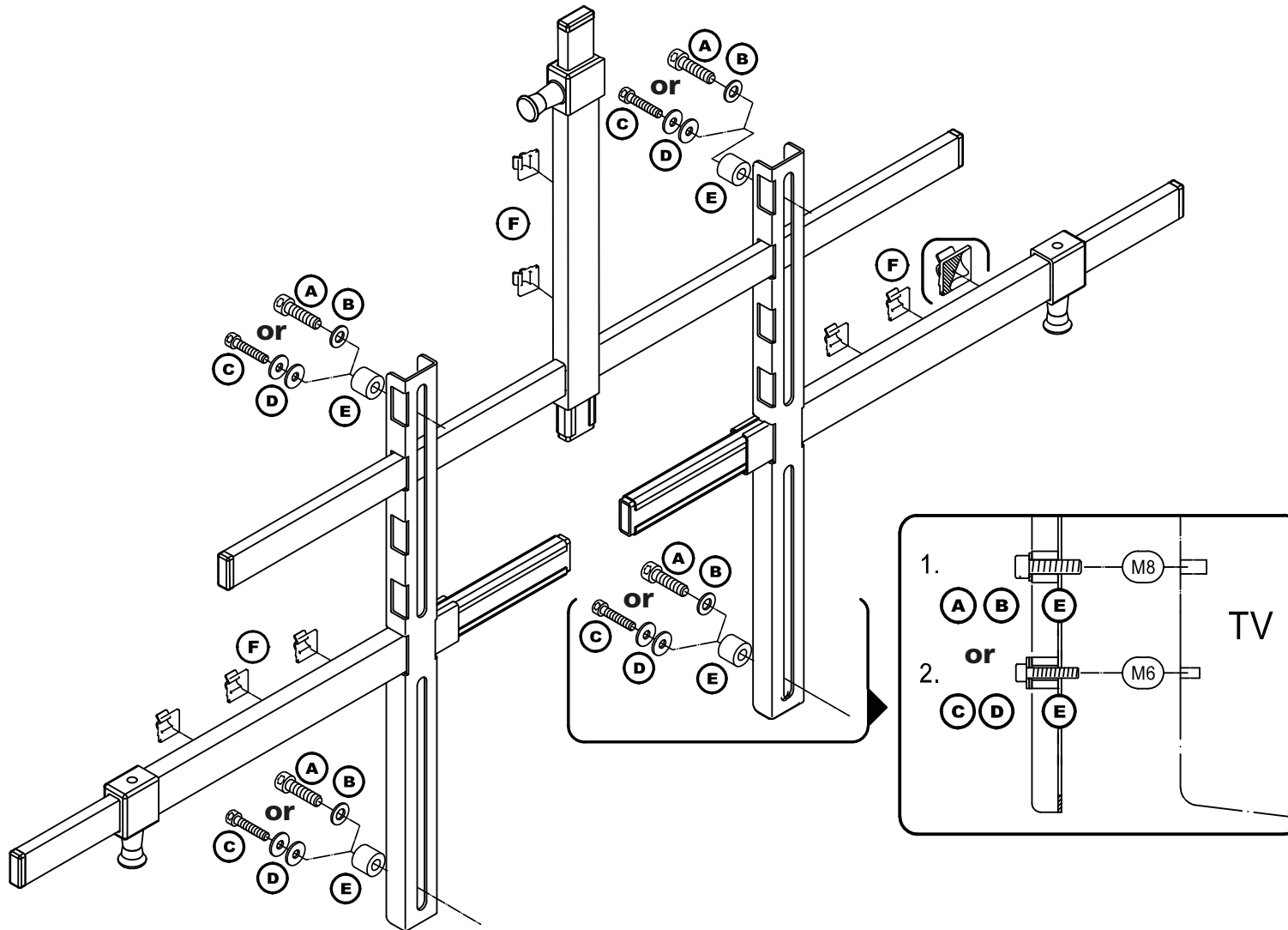
C_052497

*Dimensions may vary, depending on the inserts on the back of your TV - Dimensions variables selon les inserts à l'arrière de votre téléviseur - Größenangaben können variieren, abhängig von der Aufhängung Ihres Fernsehers. ©2009 Bose Corporation, The Mountain, Framingham, MA 01701-9168 USA. Engineered in the United States. Manufactured in China. The distinctive design is a trademark of Bose Corporation.

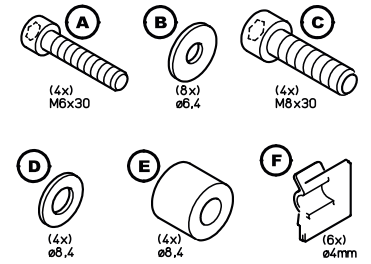
BOSE® centre speaker bracket for flatscreen TV

part 1

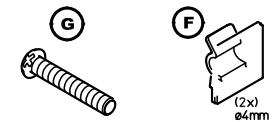
UBTV-20C / UBTV-20 combination



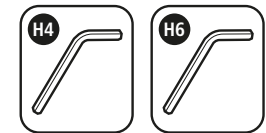
CONTENTS UBTV-20



CONTENTS UBTV-20C



TOOLS REQUIRED INCLUDED

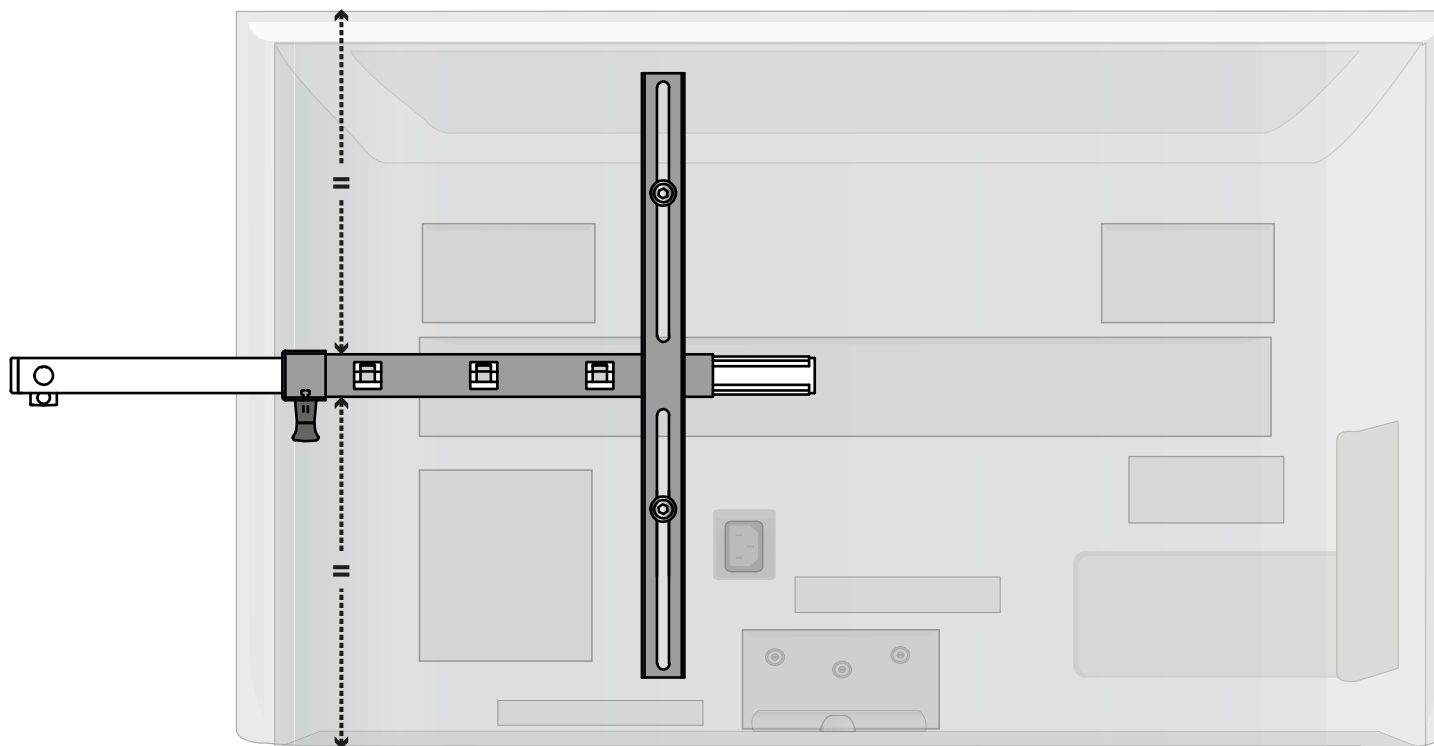


NOT INCLUDED



BOSE® centre speaker bracket for flatscreen TV

part 2

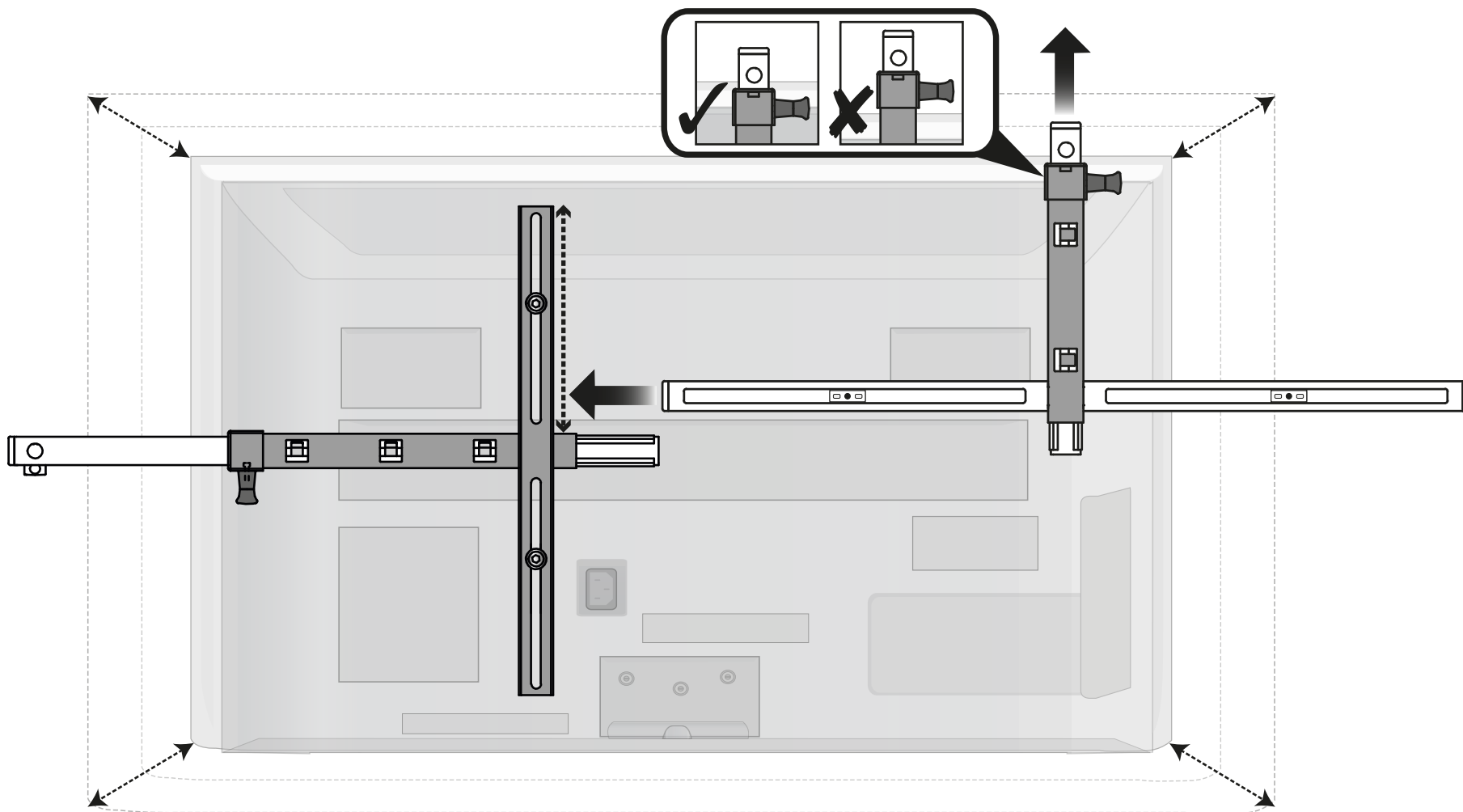


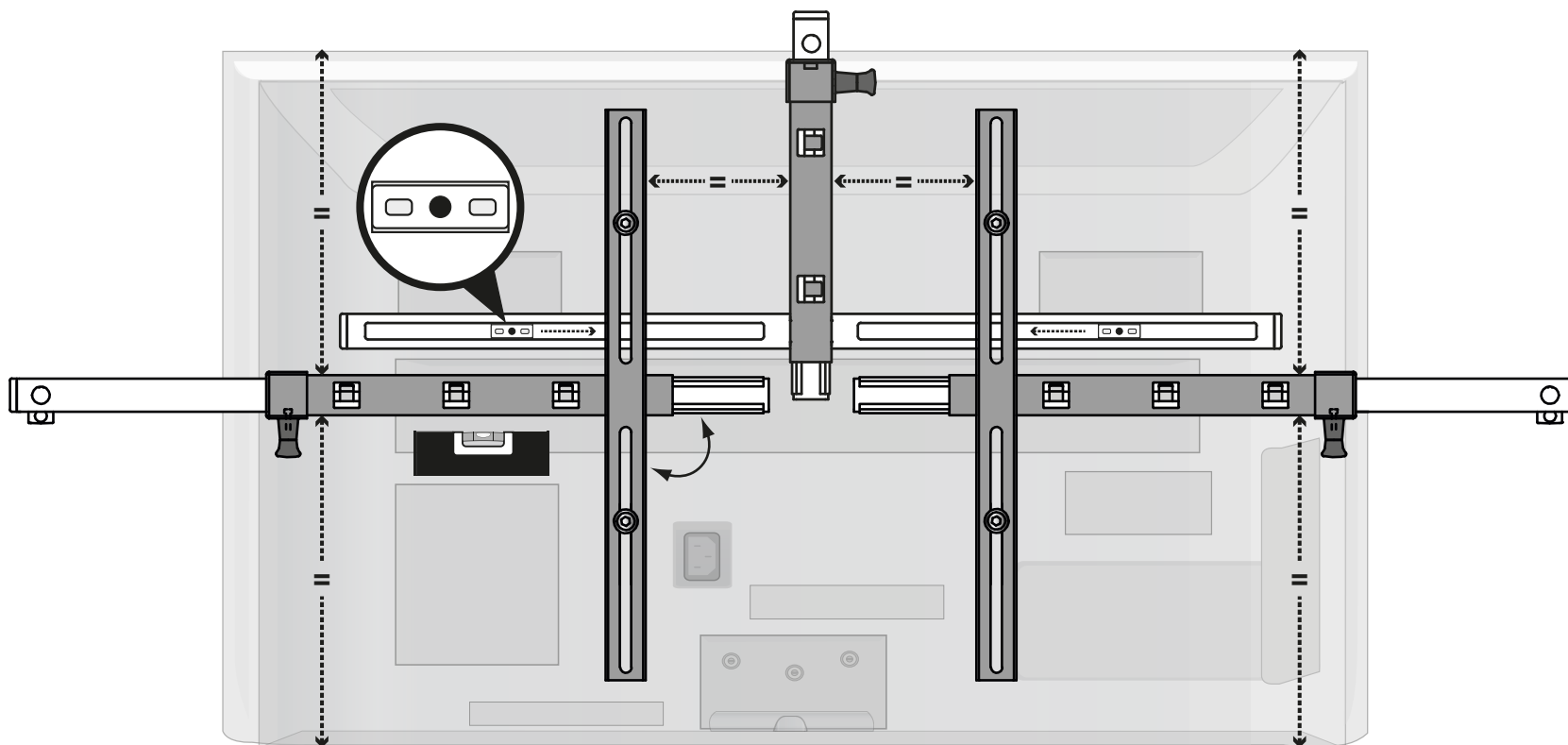
BOSE®
Better sound through research®

© 2009 Bose GP, Castleblaney Road,
Carrickmacross, Co. Monaghan, IRELAND

BOSE® centre speaker bracket for flatscreen TV

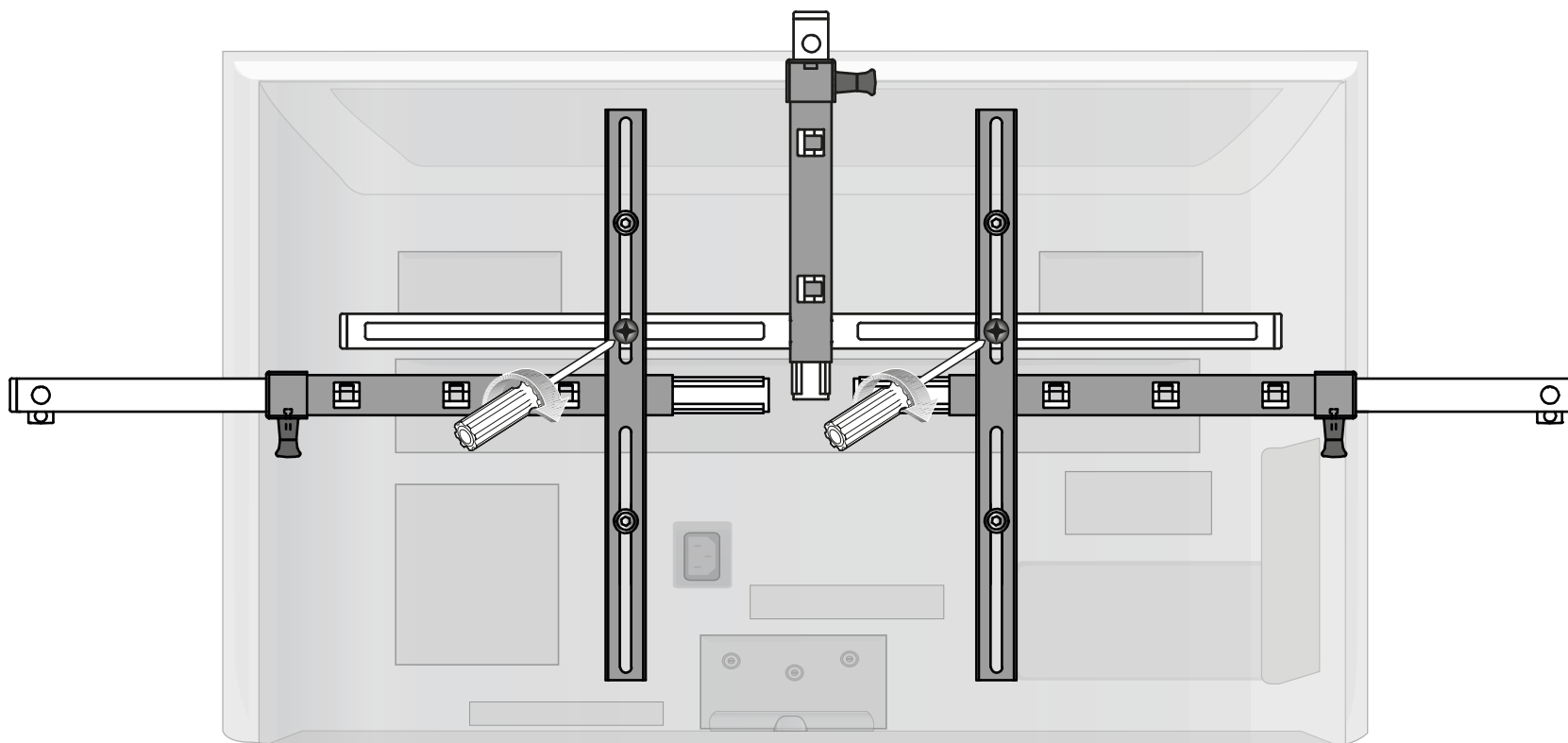
part 3





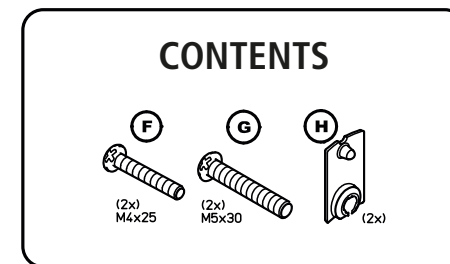
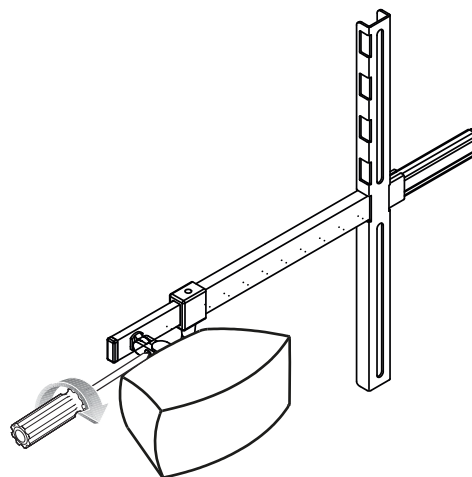
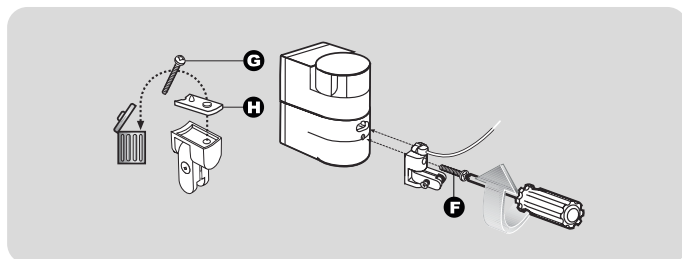
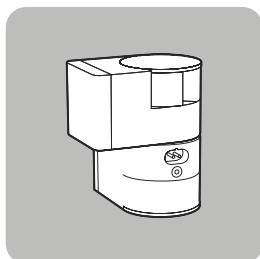
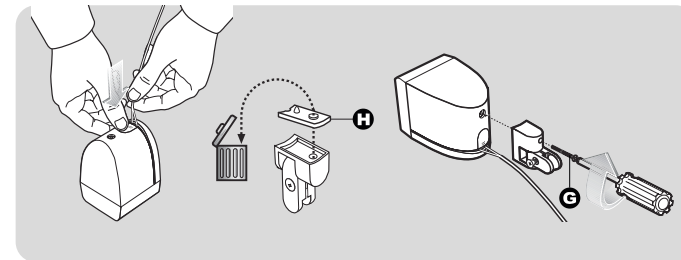
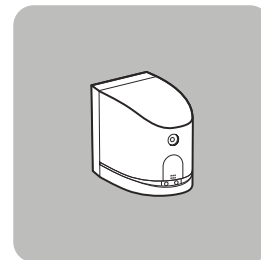
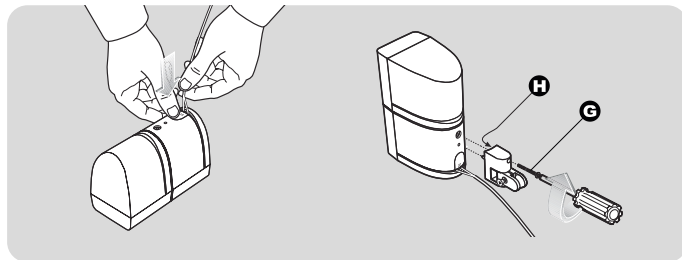
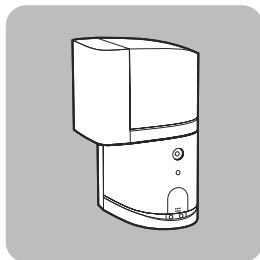
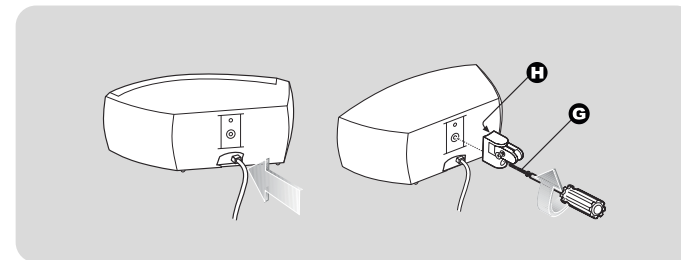
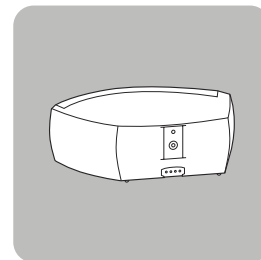
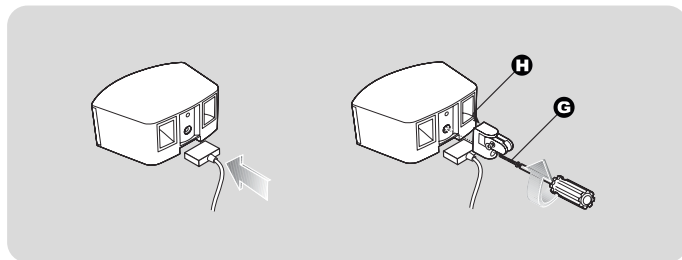
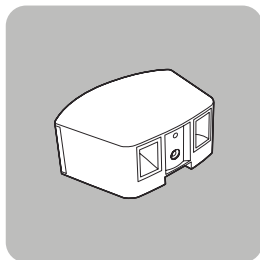
BOSE® centre speaker bracket for flatscreen TV

part 5



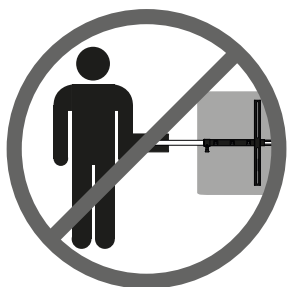
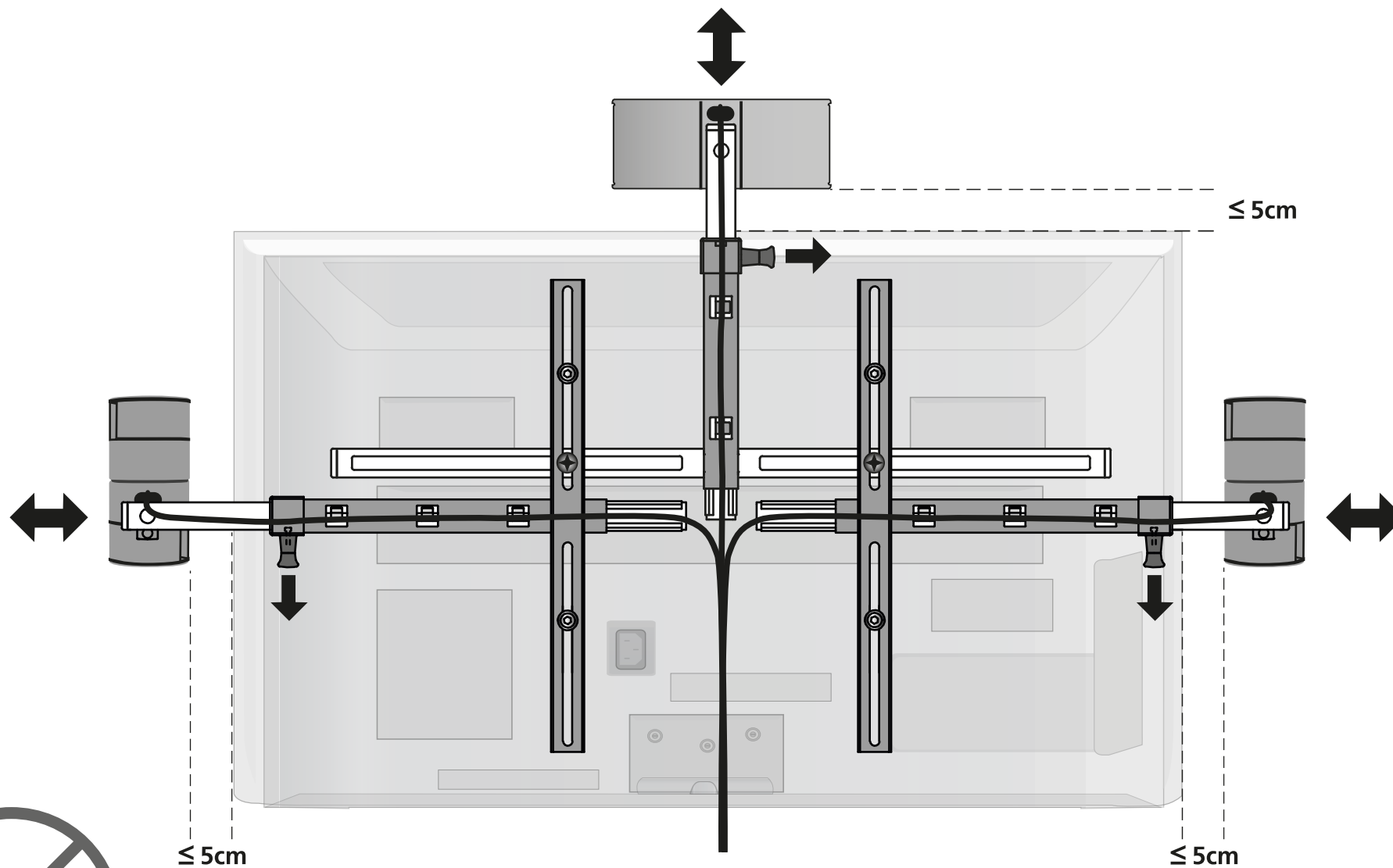
BOSE® centre speaker bracket for flatscreen TV

part 6



BOSE® centre speaker bracket for flatscreen TV

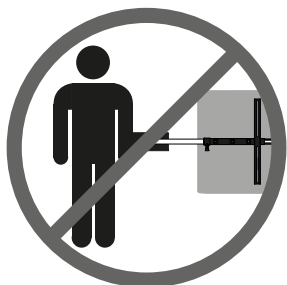
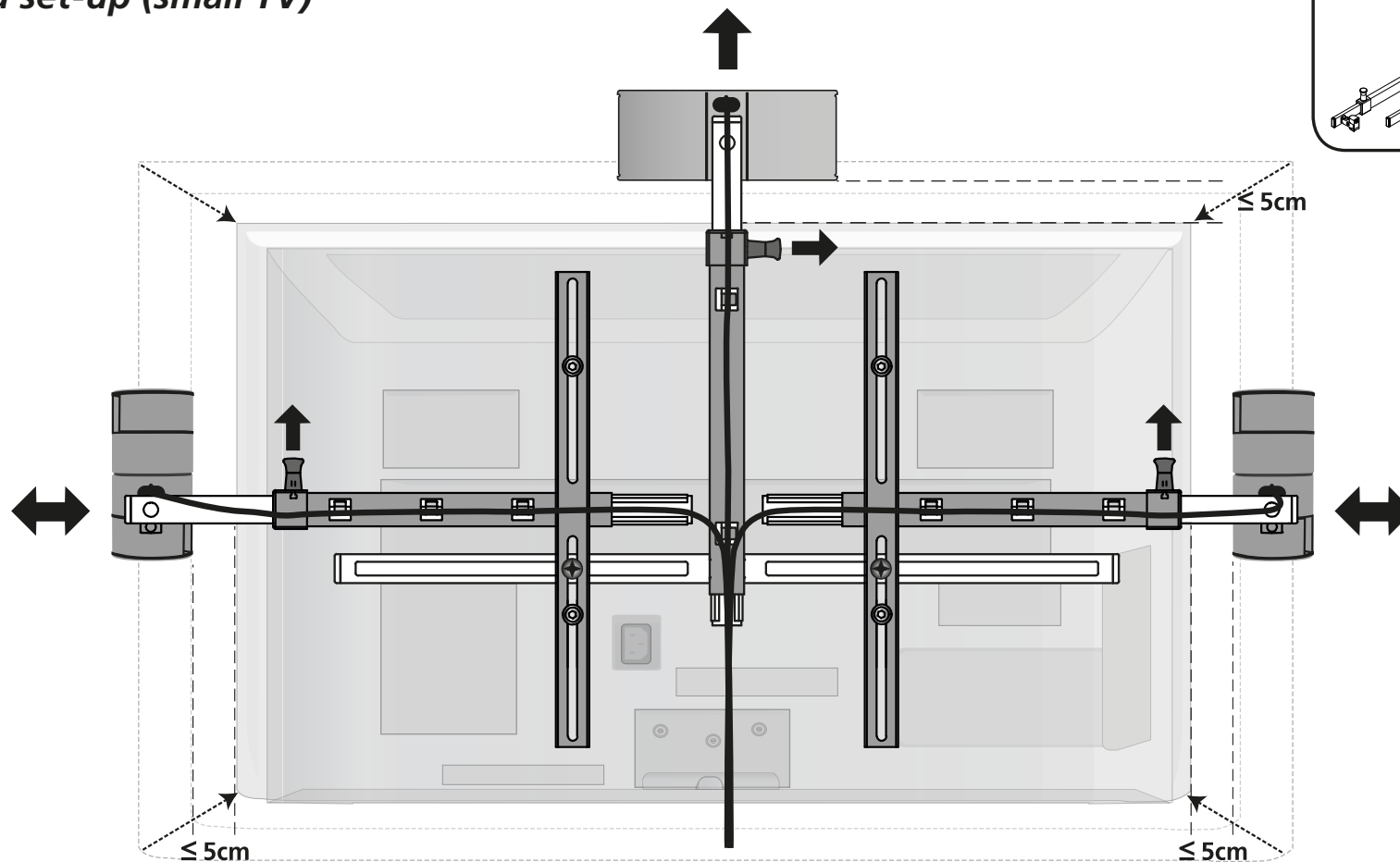
part 7



BOSE® centre speaker bracket for flatscreen TV

part 8

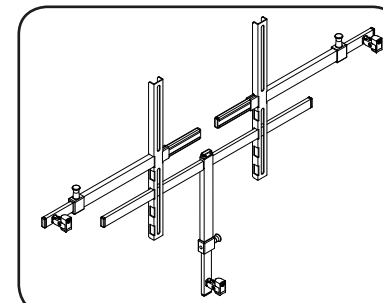
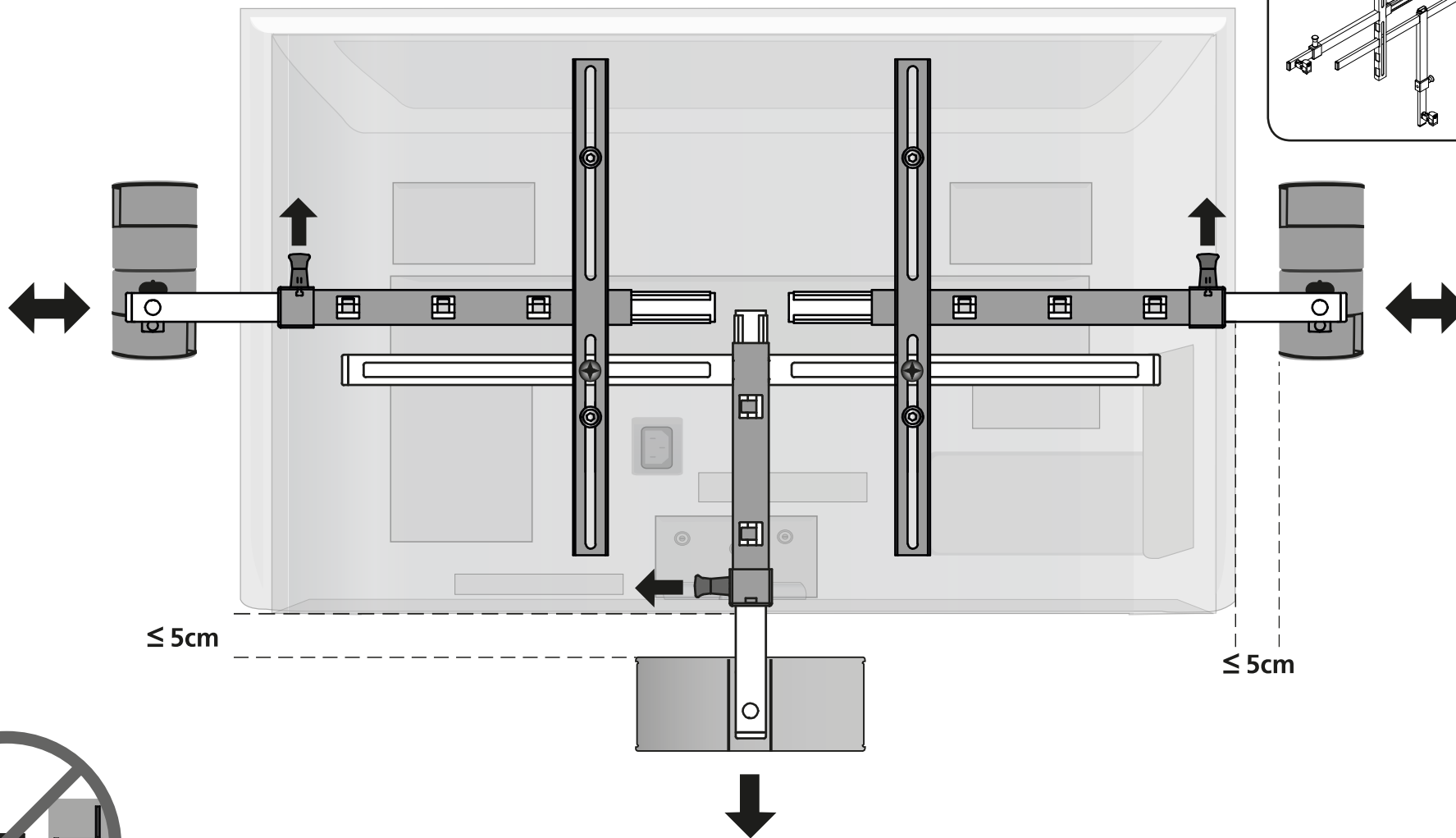
Table stand set-up (small TV)

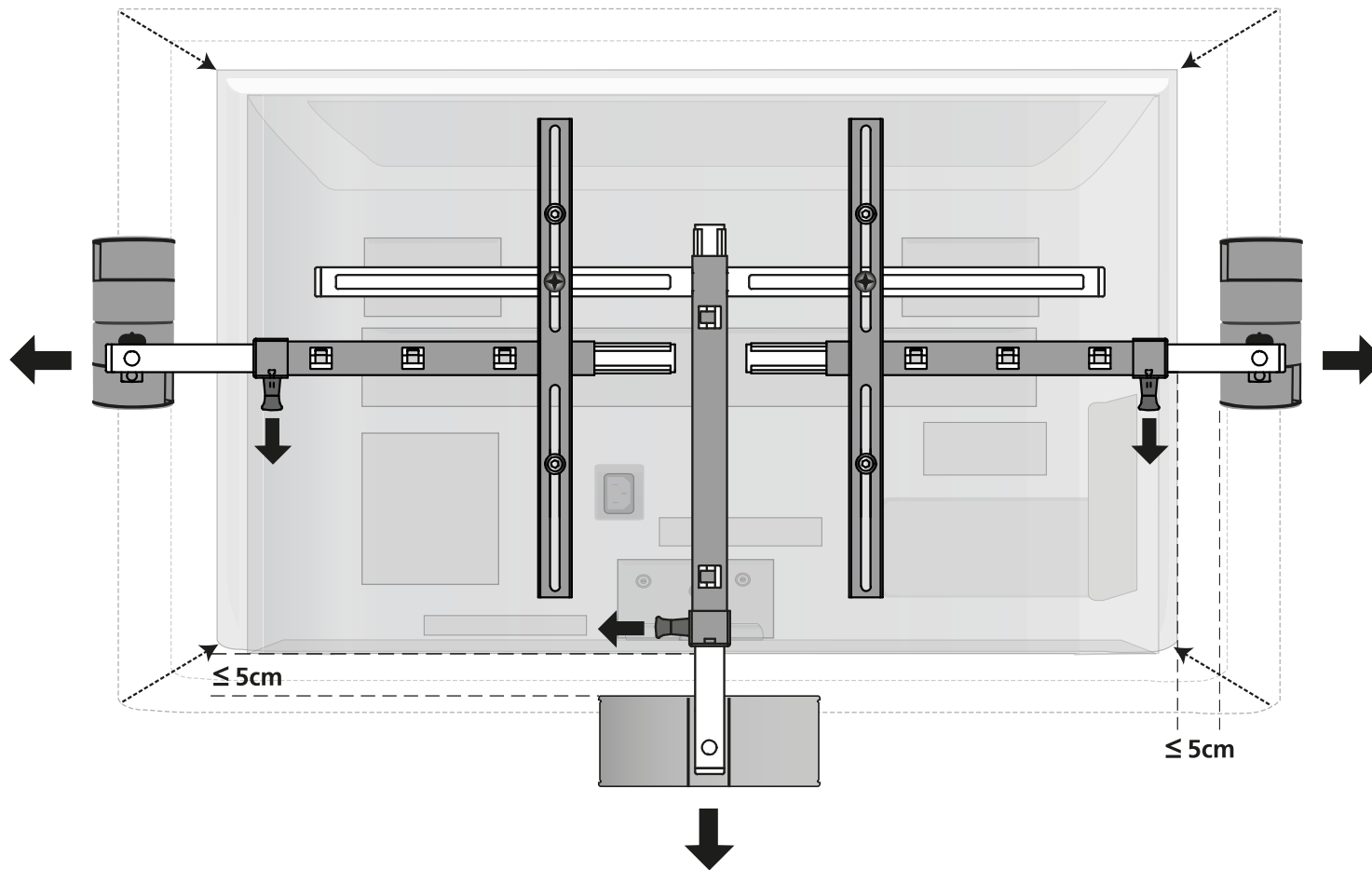


BOSE® centre speaker bracket for flatscreen TV

part 9

TV wall bracket set-up





BOSE[®]
Better sound through research[®]

© 2009 Bose GP, Castleblaney Road,
Carrickmacross, Co. Monaghan, IRELAND