

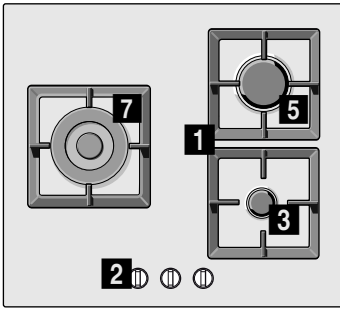


[en] Instruction manual .....3  
[fr] Notice d'utilisation .....10

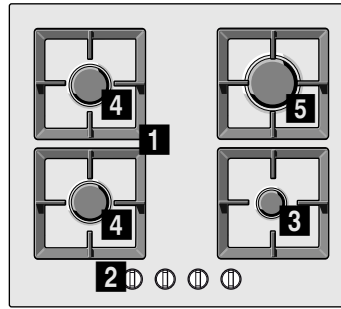
Gas hob  
Table de cuisson gaz



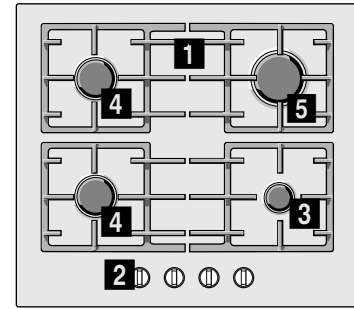
T62S15..



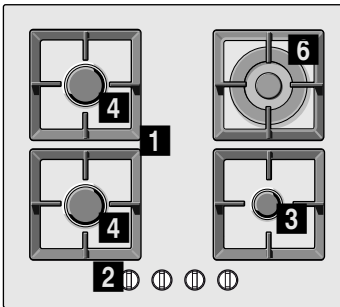
T62S25..



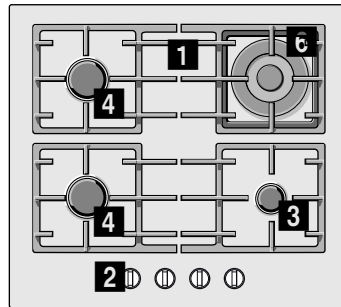
T62S26..



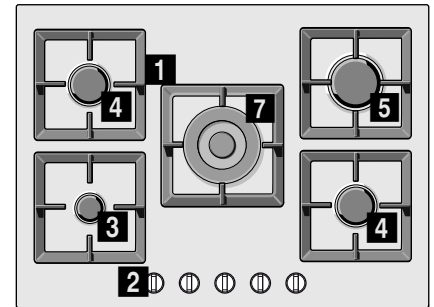
T62S35..



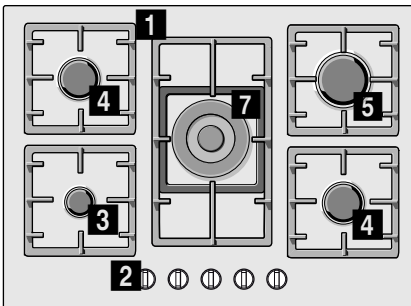
T62S36..



T63S45..



T63S46..



- 1** Pan supports
- 2** Control knobs
- 3** Auxiliary burner (up to 1 kW)

- 4** Semi-rapid burner (up to 1.75 kW)
- 5** Rapid burner (up to 3 kW)

- 6** Double-flame wok burner (up to 3.3 kW)
- 7** Triple-flame wok burner (up to 4 kW)

- 1** Grilles
- 2** Boutons de commande
- 3** Brûleur auxiliaire de 1 kW maximum

- 4** Brûleur semi-rapide de 1,75 kW maximum
- 5** Brûleur rapide de 3 kW maximum

- 6** Brûleur wok double flamme de 3,3 kW maximum
- 7** Brûleur wok triple flamme de 4 kW maximum

<b>Safety precautions</b> .....	<b>3</b>	<b>Cleaning and maintenance</b> .....	<b>7</b>
<b>Your new appliance</b> .....	<b>5</b>	Cleaning.....	7
Accessories .....	5	Maintenance .....	7
<b>Gas burners</b> .....	<b>5</b>	<b>Trouble shooting</b> .....	<b>7</b>
Switching on manually .....	5	<b>Technical Assistance Service</b> .....	<b>8</b>
Switching on automatically.....	5	Warranty conditions.....	8
Safety system .....	6	<b>Used appliances and packaging</b> .....	<b>9</b>
Switching off a burner.....	6	Environmentally-friendly disposal.....	9
Power levels.....	6		
Warnings.....	6		
Cooking guidelines.....	6		
<b>Cooking pans</b> .....	<b>6</b>		
Suitable pans .....	6		
Precautions for use .....	6		

Additional information on products, accessories, replacement parts and services can be found at [www.neff-international.com](http://www.neff-international.com) and in the online shop [www.neff-eshop.com](http://www.neff-eshop.com)

## **Safety precautions**

Read these instructions carefully. You will only be able to use your appliance safely and effectively when you have read them. These operating and installation instructions should be retained, and passed onto the buyer if the appliance is sold.

**The manufacturer is exempt from all responsibility if the requirements of this manual are not complied with.**

The images shown in these instructions are for guidance only.

Do not remove the appliance from its protective packaging until it is installed in the unit. Do not switch on the appliance if it is damaged in any way. Contact our Technical Assistance Service.

This appliance is class 3 type, according to the EN 30-1-1 regulation for gas appliances: built-in appliance.

Before installing your new hob, ensure that it is being installed according to the assembly instructions.

This appliance cannot be installed on yachts or in caravans.

This appliance must only be used in well ventilated places.

This appliance is not intended for operation with an external clock timer or a remote control.

**All operations relating to installation, connection, regulation and conversion to other gas types must be performed by an authorised technician, respecting all applicable regulations, standards and the**

**specifications of the local gas and electricity suppliers. Special attention shall be paid to ventilation regulations.**

This appliance leaves the factory set to the gas type that is indicated on the specifications plate. If this needs to be changed, please consult the assembly instructions. It is recommended you contact the Technical Assistance Service to change to another gas type.

This appliance has been designed for home use only, not for commercial or professional use. This appliance is only intended for cooking purposes, not as a heating system. The warranty will only be valid if the appliance is used for the purpose for which it was designed.

Never leave the appliance unattended during operation.

Do not use lids or protective barriers for children which are not recommended by the hob manufacturer. They may cause accidents such as those due to the overheating, ignition or detachment of fragments of materials.

This appliance may be used by children 8 years old and older and by persons with reduced physical, sensory or mental capacity or a lack of experience or knowledge if they are supervised or they have been instructed about the safe use of the appliance and have understood the associated dangers.

Never let children play with the appliance. Cleaning and user maintenance must not be carried out by unsupervised children.

### **Risk of deflagration!**

Accumulation of unburned gas in an enclosed area carries a risk of deflagration. Do not subject the appliance to draughts. These might blow out the burners. Carefully read the instructions and warnings on the operation of gas burners.

### **Risk of poisoning!**

The kitchen will become hot and humid and combustion products produced when this gas appliance is used. Make sure the kitchen is well ventilated, particularly when the hob is in operation: either keep the natural ventilation apertures open, or install a ventilation system (extractor hood). Intense prolonged use of the appliance may require additional or more effective ventilation: open a window or increase the power of the ventilation system.

### **Risk of burns!**

The hotplates and their immediate vicinity get very hot. Never touch the hot surfaces. Keep children under 8 years old well away from this appliance.

### **Risk of fire!**

- The hotplates get very hot. Do not rest inflammable objects on the hob. Do not store objects on the hob.
- Do not store or use corrosive chemicals, products which produce fumes, inflammable materials or non-food products below or near this domestic appliance.
- Fat or oil which is overheated can catch fire easily. Never leave fat or oil to heat up unattended. If oil or fats do catch fire, never use water to put the fire out. Put the fire out by covering the pan with a lid and switch off the hotplate.

### **Risk of injuries!**

- Sudden changes in temperature may cause breakage of the glass. While using your hob, prevent any draughts and do not spill any cold liquids on it.
- Pans which are damaged, are not the right size, hang over the edge of the hob or are not positioned correctly can cause serious injuries. Follow the advice and warnings provided relating to the cooking pans.

- In the event of a malfunction, turn off the appliance's gas and electricity supply. For repairs, call our Technical Assistance Service.
- Do not tamper with the appliance's interior. If necessary, call our Technical Assistance Service.
- If one of the control knobs will not turn, do not force it. Call the Technical Assistance Service immediately so that they can repair or replace them.

### **Risk of electric shock!**

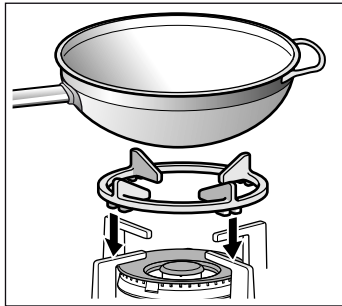
- Do not clean the appliance using steam cleaners.
- Cracks or breaks in the glass may carry an electrocution risk. Disconnect the fuse from the fuse box. Notify the Technical Assistance Service.

# Your new appliance

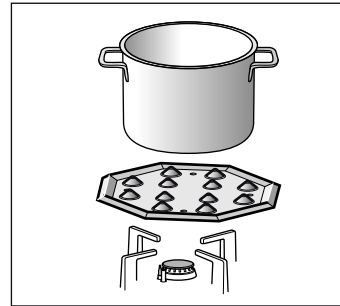
Page 2 shows an overall view of your new appliance as well as the burner power.

## Accessories

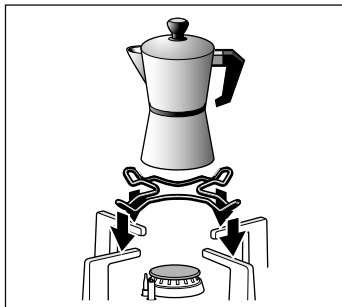
The following accessories can be purchased from the Technical Assistance Service:



**Additional wok pan support**  
Only for use on wok burners with pans with a round base. The additional wok pan support should be used to prolong the appliance's useful life.



**Simmer Plate**  
This accessory has been designed to reduce the level of heat at the lowest power setting. Place the accessory directly on the pan support with the cones facing upwards, never directly over the burner. Centre the pan over the accessory.



**Additional coffee maker support**  
Only for use on the auxiliary burner with pans which are no more than 12 cm in diameter.

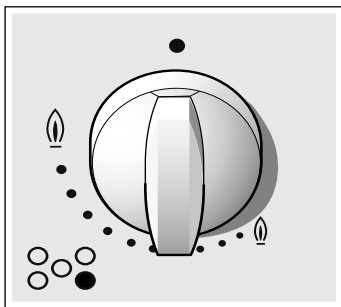
### Code

Z2472X0	Additional wok pan support: cast iron (3.3 kW)
Z2471X0	Additional wok pan support: cast iron (4 kW)
Z2402X0	Additional coffee maker support
Z2480X0	Simmer Plate

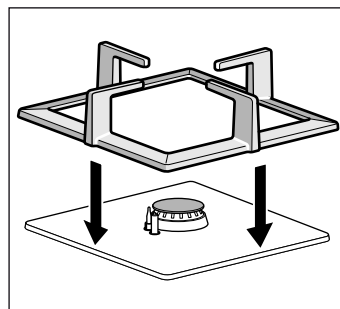
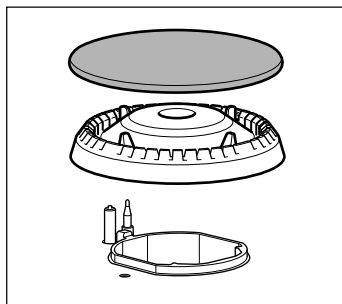
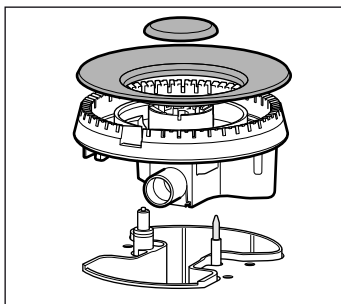
The manufacturer accepts no liability if these accessories are not used or are used incorrectly.

## Gas burners

There are indications to show which burner each control knob operates.



It is essential to ensure that all the burner parts and pan supports are correctly installed for the appliance to work correctly. Do not swap the burner caps around.



### Switching on manually

1. Press the chosen burner control knob and turn it anticlockwise to the required setting.
2. Use any type of lighter or flame (cigarette lighter, matches, etc.) and bring it close to the burner.

### Switching on automatically

If your hob can be switched on automatically (ignition sparkers):

1. Press the chosen burner control knob and turn it anticlockwise to the maximum power setting. While the control knob is still pressed down, sparks are produced on all burners. The flame ignites.
2. Release the control knob.
3. Turn the control knob to the required setting.

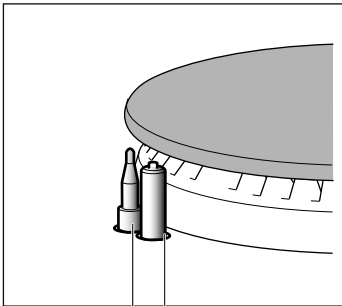
If it does not come on, turn the control knob to the off setting and repeat the steps above. This time, press and hold the control knob for longer (up to 10 seconds).

## Risk of deflagration!

If after 15 seconds the flame does not ignite, switch off the burner and open a nearby window or door. Wait at least one minute before trying to switch the burner back on.

## Safety system

Depending on the model, your hob may have a safety system (thermocouple) that prevents the flow of gas if the burners accidentally switch off.



thermocouple ignition sparker

To ensure that this device is active:




1. Switch on the burner as usual.
2. Without releasing the control knob, press and hold it down firmly for 4 seconds after lighting the flame.

## Switching off a burner

Turn the corresponding control knob clockwise to the 0 setting.

## Power levels

The progressive control knobs can be used to control the power needed, from minimum to maximum power.

Setting		Control knob off
High flame		Maximum capacity or aperture and electricity on
Low flame		Minimum capacity or aperture

## Warnings

It is normal to hear a soft whistling noise while the burner is operating.

When first used, it is normal for the burner to give off odours. This does not pose any risk and does not indicate a malfunction. They will disappear in time.

An orange-coloured flame is normal. This is caused by the presence of dust in the atmosphere, spilt liquids, etc.

If the burner flames are accidentally blown out, switch off the burner operating control knob and do not try to relight it for at least 1 minute.

A few seconds after the burner is switched off, a sound (thud) will be produced. This is not a fault - this means that the safety device is no longer operating.

Keep the burner as clean as possible. If the ignition sparkers are dirty they will not light properly. Clean them periodically using a small non-wire brush. Bear in mind that the ignition sparkers must not suffer any serious impacts.

## Cooking guidelines

Burner	Very high - High	Medium	Low
Wok burner	Boiling, steaming, griddling, toasting, paellas, Asian food (wok).	Reheating and keeping things hot: cooked and pre-cooked dishes	
Rapid burner	Escalopes, steaks, omelettes, frying	Rice, white sauce, ragout	Steaming: fish, vegetables
Semi-rapid burner	Steamed potatoes, fresh vegetables, vegetable stews, pasta	Reheating, keeping things hot and making tasty casseroles	
Auxiliary burner	Cooking: casseroles, rice pudding, caramel	Defrosting and slow cooking: vegetables, fruit and frozen products	Melting: butter, chocolate, jelly

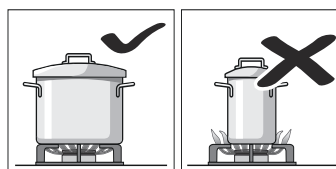
## Cooking pans

### Suitable pans

Burner	Minimum pan diameter	Maximum pan diameter
Wok burner	22 cm	30 cm
Rapid burner	22 cm	26 cm
Semi-rapid burner	14 cm	20 cm
Auxiliary burner	12 cm	16 cm

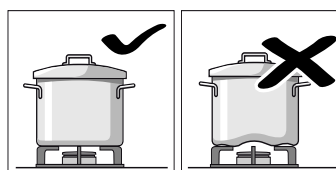
### Precautions for use

The following advice is intended to help you save energy and prevent pan damage:



Use pans which are the right size for each burner.

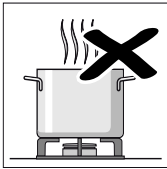
Do not use small pans on large burners. The flame must not touch the sides of the pan.



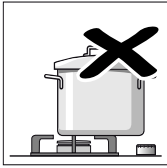
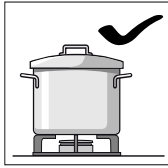
Do not use damaged pans, which do not sit evenly on the hob. Pans may tip over.

Only use pans with a thick, flat base.



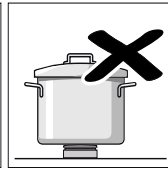
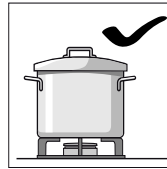


Do not cook without using a lid and make sure the lid is properly fitted. This wastes energy.



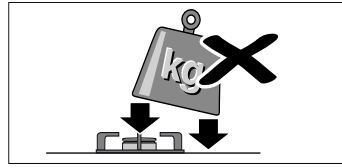
Always centre the pan over the burner, not to one side. Otherwise it could tip over.

Do not place large pans on the burners near the control knobs. These may be damaged by the very high temperatures.



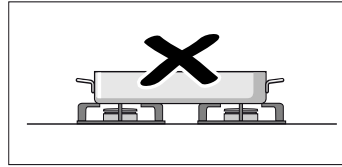
Place the pans on the pan supports, never directly on the burner.

Make sure that the pan supports and burner caps are correctly positioned before using the appliance.



Pans should be placed on the hob carefully.

Do not strike the hob and do not place excessive weight on it.



Never use two burners or heat sources to heat one single pan.

Do not use grill pans, earthenware casserole dishes, etc. for a long period of time on maximum power.

## Cleaning and maintenance

### Cleaning

Once the appliance is cool, use a sponge to clean it with soap and water.

After each use, clean the surface of the respective burner parts once they have cooled down. If any residue is left (baked-on food, drops of grease etc.), however little, it will become stuck to the surface and more difficult to remove later. The holes and grooves must be clean for the flame to ignite properly.

The movement of some pans may leave metal residue on the pan supports.

Clean the burners and pan supports using soapy water and scrub with a non-wire brush.

If the pan supports are fitted with rubber rests, ensure that these are also cleaned. The rests may come loose and the pan support may scratch the hob.

Always dry the burners and pan supports completely. Water droplets or damp patches on the hob at the start of cooking may damage the enamel.

After cleaning and drying the burners, make sure the burner caps are correctly positioned on the diffuser.

### Caution!

- Do not use steam cleaners. This could damage the hob.
- Never use abrasive products, steel scourers, sharp implements, knives, etc. to remove bits of hardened food from the hob.
- Do not use knives, scrapers or similar implements to clean the point where the glass meets the burner trims, the metal frames or the glass/aluminium panels, if fitted.

### Maintenance

Always clean off any liquid as soon as it is spilt. This will prevent food remains from sticking to the hob surface and you will save yourself any unnecessary effort.

Never slide pans across the glass surface, as you may scratch it. In addition, try not to drop heavy or sharp objects on the glass. Never strike any part of the hob.

Grains of sand that may come from cleaning fruits and vegetables will scratch the glass surface.

Melted sugar, or foods which contain a lot of sugar which may have spilt, should be cleaned off the hotplate immediately, using the glass scraper.

## Trouble shooting

Sometimes certain faults detected can be easily resolved. Before calling the Technical Assistance Service, bear in mind the following advice:

Fault	Possible cause	Solution
The general electrical system is malfunctioning.	Defective fuse.	Check the fuse in the main fuse box and change it if it is damaged.
	The automatic safety switch or circuit breaker has tripped.	Check the main control panel to see if the automatic safety switch or circuit breaker has tripped.

<b>Fault</b>	<b>Possible cause</b>	<b>Solution</b>
The automatic switching on function does not work.	There may be food or cleaning products stuck between the ignition sparkers and the burners.	The space between the ignition sparker and the burner must be clean.
	The burners are wet.	Dry the burner caps carefully.
	The burner caps are not correctly positioned.	Check that the burner caps are correctly positioned.
	The appliance is not earthed, is poorly connected or the earthing is faulty.	Contact the installation technician.
The burner flame is not uniform.	The burner components are not correctly positioned.	Correctly place the parts on the appropriate burner.
	The grooves on the burner are dirty.	Clean the grooves on the burner.
The gas flow is not normal or there is no gas.	The gas supply is blocked by gas taps.	Open all gas taps.
	If the gas is supplied from a gas cylinder, check that it is not empty.	Change the gas cylinder.
The kitchen smells of gas.	A gas tap has been left on.	Turn off the taps.
	Incorrect coupling of gas cylinder.	Check that the coupling is sound.
	Possible gas leak.	Shut off the gas supply, ventilate the premises and immediately notify an authorised installation technician to check and certify the installation. Do not use the appliance until ensuring that there is no gas leak in the installation or appliance itself.
The burner immediately switches off after releasing the control knob.	The control knob was not held down for long enough.	Once the burner is on, hold the control knob down a few seconds longer.
	The grooves on the burner are dirty.	Clean the grooves on the burner.

## Technical Assistance Service

When contacting our Technical Assistance Service, please provide the product number (E-Nr.) and production number (FD) of the appliance. This information is given on the specifications plate located on the lower section of the hob and on the label in the user manual.

Please find the contact data of all countries in the enclosed customer service list.

### To book an engineer visit and product advice

**GB** 0844 8928989  
Calls from a BT landline will be charged at up to 3 pence per minute. A call set-up fee of up to 6 pence may apply.

**IE** 01450 2655  
0.03 € per minute at peak. Off peak 0.0088 € per minute.

Rely on the professionalism of the manufacturer. You can therefore be sure that the repair is carried out by trained service technicians who carry original spare parts for your appliances.

### Warranty conditions

In the unlikely event that the appliance is damaged or does not meet your expectations in terms of quality, please inform us as soon as possible. For the warranty to be valid, the appliance must not have been tampered with, or used inappropriately.


The applicable warranty conditions are those set out by the company's representative office in the country of purchase. Detailed information is available from retail outlets. Proof of purchase must be presented to obtain the benefits of the warranty.

We reserve the right to introduce changes.



---

# Used appliances and packaging

If the  symbol is shown on the specifications plate, bear in mind the following instructions:

## Environmentally-friendly disposal

Dispose of packaging in an environmentally-friendly manner.



This appliance is labelled in accordance with European Directive 2012/19/EU concerning used electrical and electronic appliances (waste electrical and electronic equipment - WEEE). The guideline determines the framework for the return and recycling of used appliances as applicable throughout the EU.

The packaging of your appliance has been manufactured using only the materials which are strictly necessary to guarantee efficient protection during transport. These materials are 100% recyclable, thus reducing the environmental impact. You can also contribute to caring for the environment by following the advice below:

- Dispose of the packaging in the appropriate recycling bin.
- Before you get rid of an old appliance, make sure you disable it. Contact your local authority to find out the address of your nearest recycling centre to dispose of your appliance.
- Do not pour used oil down the sink. Collect it in a sealed container and take it to an appropriate collection point or, failing that, place it in the rubbish bin (it will end up in a controlled dump; this is probably not the best option, but it will avoid contaminating ground water)

<b>Consignes de sécurité</b> .....	<b>10</b>	<b>Nettoyage et entretien</b> .....	<b>14</b>
<b>Votre nouvel appareil</b> .....	<b>12</b>	Nettoyage .....	14
Accessoires .....	12	Maintenance .....	14
<b>Brûleurs à gaz</b> .....	<b>12</b>	<b>Résoudre des anomalies</b> .....	<b>14</b>
Allumage manuel.....	12	<b>Service Technique</b> .....	<b>15</b>
Allumage automatique.....	12	Conditions de garantie .....	15
Système de sécurité.....	13	<b>Emballage et appareils usagés</b> .....	<b>16</b>
Éteindre un brûleur.....	13	Élimination écologique.....	16
Niveaux de chauffe.....	13		
Avertissements .....	13		
Conseils pour cuisiner .....	13		
<b>Récipients de préparation</b> .....	<b>13</b>		
Récipients appropriés.....	13		
Conseils d'utilisation.....	13		

Vous trouverez des informations supplémentaires concernant les produits, accessoires, pièces de rechange et services sur Internet sous : [www.neff-international.com](http://www.neff-international.com) et la boutique en ligne : [www.neff-eshop.com](http://www.neff-eshop.com)

## **⚠️ Consignes de sécurité**

Lisez attentivement ces instructions. Ce n'est qu'à cette condition que vous pourrez utiliser votre appareil efficacement et en toute sécurité. Conservez la notice d'utilisation et d'installation, et remettez-la avec l'appareil si celui-ci change de propriétaire.

**Le fabricant est exempt de toute responsabilité si les instructions de cette notice ne sont pas respectées.**

Les images de cette notice sont proposées à titre indicatif.

Ne retirez l'appareil de son emballage protecteur qu'au moment de son encastrement. Si vous constatez des dommages sur l'appareil, ne le branchez pas. Contactez notre Service Technique.

Cet appareil correspond à la classe 3, selon la norme EN 30-1-1 pour les appareils à gaz : appareil encastré dans un meuble.

Assurez-vous que l'installation de votre plaque de cuisson est réalisée dans le respect de la notice de montage.

Cet appareil ne peut pas être installé dans des yachts ou des caravanes.

Cet appareil doit être utilisé uniquement dans des endroits suffisamment ventilés.

Cet appareil n'est pas conçu pour un fonctionnement avec une minuterie externe ou une commande à distance.

**Tous les travaux d'installation, de branchement, de réglage et d'adaptation à un autre type de gaz doivent être réalisés**

**par un technicien agréé qui doit respecter les normes et la législation applicables, ainsi que les prescriptions des sociétés locales de distribution d'électricité et de gaz. Les dispositions applicables quant à la ventilation seront attentivement respectées.**

En sortie d'usine, cet appareil est adapté au type de gaz indiqué sur la plaque signalétique. S'il était nécessaire de le changer, veuillez consulter la notice de montage. Il est recommandé de faire appel à notre service technique pour l'adaptation à un autre type de gaz.

Cet appareil a été conçu pour une utilisation domestique ; son utilisation à titre commercial ou professionnel est interdite. N'utilisez l'appareil que pour cuisiner, jamais comme chauffage. La garantie ne sera valable que si l'utilisation pour laquelle il a été conçu a été respectée.

Ne laissez pas l'appareil sans surveillance pendant son fonctionnement.

N'utilisez pas de couvercles ou de barrières de protection pour enfants non recommandés par le fabricant de la plaque de cuisson. Ils peuvent provoquer des accidents, notamment en raison de la surchauffe, de la combustion ou du décollement de fragments de matériaux.

Cet appareil peut être utilisée par des enfants âgés de plus de 8 ans et par des personnes ayant des capacités physiques, sensorielles ou mentales restreintes ou ayant un manque d'expérience ou de

connaissances, s'ils sont surveillés ou si une personne les a instruits de la manipulation de l'appareil en toute sécurité et s'ils ont compris les dangers qui en résultent.

Les enfants ne doivent pas jouer avec l'appareil. Le nettoyage et l'entretien incombant à l'utilisateur ne doivent pas être effectués par des enfants sans surveillance.

### **Risque de déflagration !**

L'accumulation de gaz non brûlés dans un lieu fermé pourrait comporter un risque de déflagration. Ne placez pas l'appareil dans des courants d'air. Les brûleurs pourraient s'éteindre. Lisez attentivement les instructions et les avertissements concernant le fonctionnement des brûleurs à gaz.

### **Risque d'intoxication !**

L'utilisation d'un appareil de cuisson à gaz produit de la chaleur, de l'humidité et émet des produits de combustion dans la pièce où il est installé. Assurez-vous que la cuisine soit bien ventilée, en particulier lorsque la plaque de cuisson est en fonctionnement: laissez les orifices de ventilation naturelle ouverts ou installez un dispositif de ventilation mécanique (hotte aspirante). Lorsque l'utilisation de l'appareil est intense et prolongée, une ventilation complémentaire ou plus efficace peut être nécessaire: ouvrez une fenêtre ou augmentez la puissance de la ventilation mécanique.

### **Risque de brûlures !**

Les zones de cuisson et les zones adjacentes chauffent fortement. Ne touchez pas les surfaces chaudes. Ne laissez pas les enfants de moins de 8 ans s'approcher.

### **Risque d'incendie !**

- Les zones de cuisson chauffent fortement. Ne posez pas d'objets inflammables sur la plaque de cuisson. N'entrez pas d'objets sur la plaque de cuisson.
- Ne stockez ni utilisez de produits chimiques corrosifs, de vapeurs, de matériels inflammables ni de produits non alimentaires sous cet appareil, ni à proximité.

- Les graisses et les huiles surchauffées s'enflamment facilement. Ne vous absentez pas si vous avez mis de la graisse ou de l'huile à chauffer. Si elles s'enflamment, n'éteignez pas le feu avec de l'eau. Couvrez le récipient avec un couvercle hermétique pour étouffer le feu puis éteignez la zone de cuisson.

### **Risque de blessures !**

- Les brusques changements de température peuvent provoquer la rupture du verre. Pendant l'utilisation de votre plaque de cuisson à gaz, évitez les courants d'air et les déversements de liquides froids.
- Les récipients qui présenteraient des dommages, dont la taille ne serait pas adaptée, qui dépasseraient de la plaque de cuisson ou qui seraient mal placés, pourraient occasionner des lésions graves. Respectez les conseils et les avertissements concernant les récipients de cuisson.
- En cas d'incident, débranchez l'alimentation électrique et de gaz de l'appareil. Pour la réparation, contactez notre service technique.
- Ne manipulez pas l'intérieur de l'appareil. Si nécessaire, contactez notre service technique.
- Si l'un des boutons de commande est bloqué, ne forcez pas. Appelez immédiatement le service technique pour procéder à sa réparation ou à son remplacement.

### **Risque de décharge électrique !**

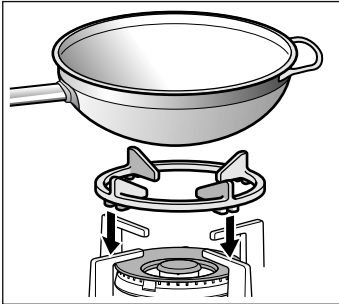
- Ne pas utiliser de machines de nettoyage à vapeur pour nettoyer l'appareil.
- Les fissures ou ruptures du verre comportent un risque d'électrocution. Déconnectez le fusible de la boîte à fusibles. Prévenez le service technique.

# Votre nouvel appareil

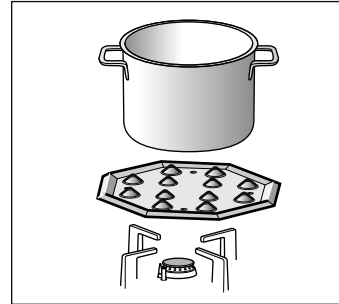
À la page 2 se trouve une vue générale de l'appareil, ainsi que la puissance des brûleurs.

## Accessoires

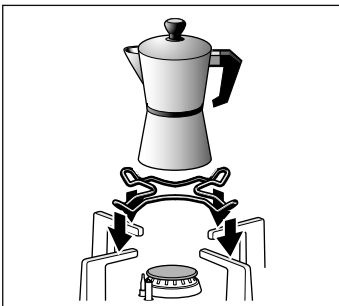
Vous pourrez obtenir les accessoires suivants auprès de notre Service Technique :



**Grille supplémentaire wok**  
Pour utiliser exclusivement sur des brûleurs wok avec des récipient à base concave. Il est recommandé d'utiliser la grille supplémentaire wok pour prolonger la vie utile de l'appareil.



**Simmer Plate**  
Cet accessoire est prévu pour réduire le niveau de chaleur à la puissance minimum. Placer l'accessoire directement sur la grille avec les rebords orientés vers le haut, jamais en contact direct avec le brûleur. Placer le récipient au centre sur l'accessoire.



**Grille supplémentaire cafetière**  
À utiliser exclusivement sur le brûleur auxiliaire avec des récipients d'un diamètre inférieur à 12 cm.

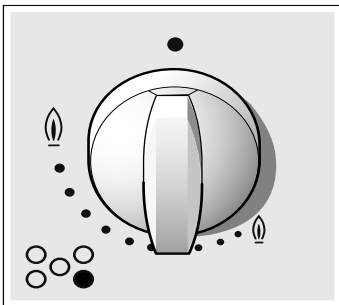
### Code

Z2472X0	Grille supplémentaire wok : grille en fonte (3,3 kW)
Z2471X0	Grille supplémentaire wok : grille en fonte (4 kW)
Z2402X0	Grille supplémentaire cafetière
Z2480X0	Simmer Plate

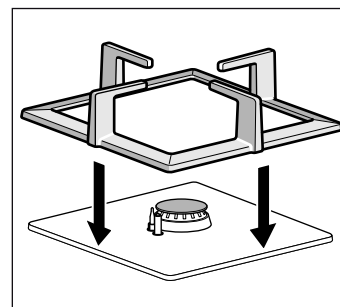
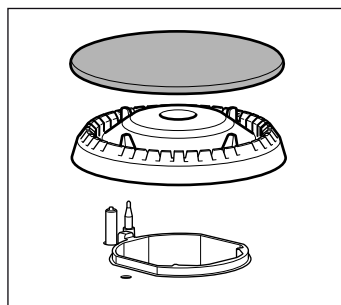
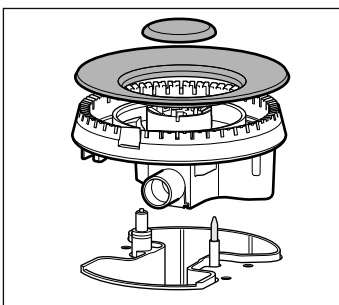
Le fabricant décline toute responsabilité si ces accessoires ne sont pas utilisés ou sont employés de manière incorrecte.

## Brûleurs à gaz

Chaque bouton de commande de mise en marche indique le brûleur qu'il contrôle.



Pour un fonctionnement correct de l'appareil, il est indispensable de s'assurer que les grilles et toutes les pièces des brûleurs sont correctement mises en place. N'intervertissez pas les couvercles des brûleurs.



### Allumage manuel

1. Appuyez sur le bouton de commande du brûleur choisi et tournez-le vers la gauche jusqu'à la position souhaitée.
2. Approchez un allume-gaz ou une flamme (briquets, allumettes, etc.) du brûleur.

### Allumage automatique

Si votre plaque de cuisson dispose d'un allumage automatique (bougies):

1. Appuyez sur le bouton de commande du brûleur choisi puis tournez-le vers la gauche jusqu'à la position de puissance maximum. Quand le bouton de commande est enfoncé, des étincelles se produisent sur tous les brûleurs. La flamme s'allume.
2. Relâchez le bouton de commande.
3. Tournez le bouton de commande sur la position souhaitée.

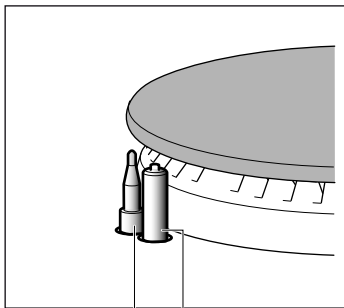
Si l'allumage ne se produit pas, tournez le bouton de commande sur la position de déconnexion puis répétez les étapes. Cette fois, maintenez le bouton de commande enfoncé plus longtemps (pendant 10 secondes maximum).

## ⚠ Risque de déflagration !

Si au bout de 15 secondes la flamme ne s'est pas allumée, éteignez le brûleur et aérez la pièce. Attendez au moins une minute avant d'essayer de rallumer le brûleur.

## Systeme de sécurité

Selon le modèle, votre plaque de cuisson peut disposer d'un système de sécurité (thermocouple) qui bloque l'arrivée du gaz si les brûleurs s'éteignent accidentellement.



thermocouple bougie

Pour que cet dispositif soit actif :

1. Allumez le brûleur normalement.
2. Maintenez le bouton de commande enfoncé sans le lâcher pendant 4 secondes après l'allumage de la flamme.

## Éteindre un brûleur

Tournez le bouton de commande correspondant vers la droite jusqu'à la position 0.

## Niveaux de chauffe

Les variateurs vous permettent de régler la puissance dont vous avez besoin entre les niveaux maximum et minimum.

Position		Bouton de commande éteint
Flamme grande		Ouverture ou capacité maximums et connexion électrique
Flamme petite		Ouverture ou capacité minimums

## Avertissements

Pendant le fonctionnement du brûleur, il est normal d'entendre un léger sifflement.

Lors des premières utilisations, il est normal que des odeurs se dégagent. Mais cela ne suppose aucun dysfonctionnement. Ces odeurs disparaîtront petit à petit.

Une flamme de couleur orange est normale. Ceci est dû à la présence de poussière dans l'atmosphère, de liquides déversés, etc.

S'il se produit une extinction accidentelle des flammes du brûleur, éteignez le bouton de commande du brûleur et attendez au moins 1 minute avant de le rallumer.

Quelques secondes après avoir éteint le brûleur, un son est émis (coup sec). Il ne s'agit pas d'une anomalie, ceci signifie que la sécurité a été désactivée.

Conservez le brûleur le plus propre possible. Si les bougies sont sales, l'allumage sera défectueux. Nettoyez-les régulièrement avec une petite brosse non métallique. Attention, à ne pas cogner violemment les bougies.

## Conseils pour cuisiner

Brûleur	Très fort - Fort	Moyen	Lent
Brûleur wok	Bouillir, cuire, rôtir, dorer, paelas, cuisine asiatique (Wok)	Réchauffer et garder au chaud : plats préparés, plats cuisinés	
Brûleur rapide	Escalope, steak, omelette, fritures	Riz, béchamel, ragoût	Cuisson à la vapeur : poisson, légumes
Brûleur semi-rapide	Pommes de terre vapeur, légumes frais, potages, pâtes	Réchauffer/garder au chaud des plats cuisinés et préparer des ragoûts délicats	
Brûleur auxiliaire	Faire cuire : ragoûts, riz au lait, caramel	Décongeler et cuire à feu doux : légumes secs, fruits, produits congelés	Faire fondre : beurre, chocolat, gélatine.

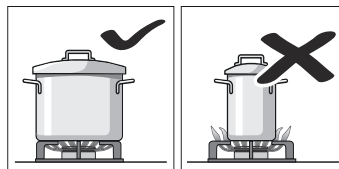
## Récipients de préparation

### Récipients appropriés

Brûleur	Diamètre minimum du récipient	Diamètre maximum du récipient
Brûleur wok	22 cm	30 cm
Brûleur rapide	22 cm	26 cm
Brûleur semi-rapide	14 cm	20 cm
Brûleur auxiliaire	12 cm	16 cm

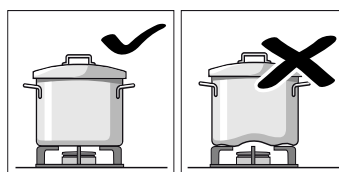
### Conseils d'utilisation

Les conseils suivants vous aideront à économiser de l'énergie et à éviter d'endommager les récipients :



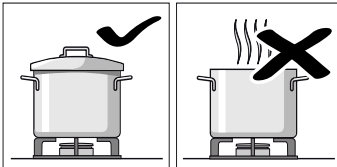
Utilisez des récipients de la taille appropriée à chaque brûleur.

N'utilisez pas de petits récipients sur les grands brûleurs. La flamme ne doit pas toucher les côtés du récipient.

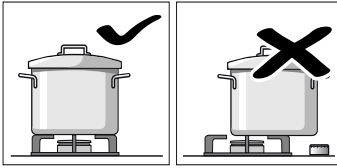


N'utilisez pas de récipients déformés, ayant tendance à être instables sur la plaque de cuisson. Les récipients pourraient se renverser.

N'utilisez que des récipients à base plane et épaisse.

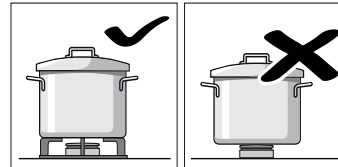


Ne cuisinez pas sans couvercle ni avec celui-ci mal mis. Vous risqueriez ainsi de perdre une partie de l'énergie.



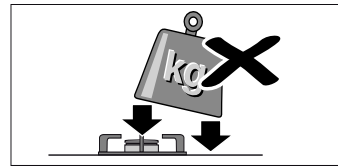
Placez le récipient bien au centre du brûleur. Dans le cas contraire, il risque de se renverser.

Ne placez pas les récipients de grande taille sur les brûleurs situés près des boutons de commandes. Ils risqueraient d'être endommagés en raison de l'excès de chaleur.



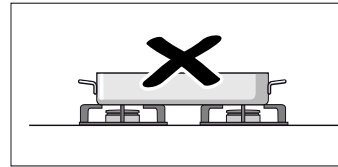
Placez les récipients sur les grilles, jamais directement sur le brûleur.

Vérifiez que les grilles et les couvercles des brûleurs sont bien placés avant de les utiliser.



Manipulez soigneusement les récipients sur la plaque de cuisson.

Ne cognez pas la plaque de cuisson et n'y posez pas d'objets lourds.



N'utilisez pas deux brûleurs ou sources de chaleur pour un seul récipient.

Évitez d'utiliser des plaques pour les grillades, des cassolettes en céramique, etc. longtemps à la puissance maximum.

## Nettoyage et entretien

### Nettoyage

Quand l'appareil a refroidi, nettoyez-le avec une éponge, de l'eau et du savon.

Après chaque utilisation, nettoyez la surface des différents éléments du brûleur quand il a refroidi. Si des restes sont laissés (aliments recuits, gouttes de graisse, etc.), même infimes, ils s'incrusteront dans la surface et seront plus difficiles à éliminer par la suite. Les trous et les rainures doivent être propres afin que la flamme soit optimale.

Le frottement de certains récipients peut laisser des traces métalliques sur les grilles.

Lavez les brûleurs et les grilles à l'eau savonneuse et frottez-les à l'aide d'une brosse non métallique.

Si les grilles disposent de chevilles en caoutchouc, faites très attention en les nettoyant. Les chevilles peuvent se détacher et la grille peut rayer la plaque de cuisson.

Séchez toujours complètement les brûleurs et les grilles. La présence de gouttes d'eau ou de zones humides au début de la cuisson peut détériorer l'émail.

Après le nettoyage et le séchage des brûleurs, assurez-vous que les couvercles sont bien placés sur le diffuseur.

### Attention !

- N'utilisez pas de machines de nettoyage à vapeur. Cela pourrait endommager la plaque de cuisson.
- N'utilisez jamais de produits abrasifs, lavettes en acier, objets tranchants, couteaux, etc., pour retirer les restes d'aliments ayant durci sur la plaque de cuisson.
- N'utilisez pas de couteaux, de racleurs ou d'objets similaires pour nettoyer l'union entre le verre et les caches des brûleurs, les profilés métalliques ni sur les panneaux en verre ou aluminium, le cas échéant.

### Maintenance

Nettoyez immédiatement tous les liquides qui coulent. Vous éviterez ainsi que les restes d'aliment ne collent et économiserez des efforts inutiles.

Ne faites pas glisser les récipients sur le verre car ils pourraient le rayer. De plus, évitez les chutes d'objets durs ou pointus sur la plaque en verre. Ne frappez la plaque de cuisson sur aucun de ses angles.

Les grains de sable (provenant par exemple du nettoyage des légumes) rayent la surface du verre.

Le sucre fondu ou des aliments à teneur élevée en sucre ayant débordés doivent être immédiatement retirés de la zone de cuisson à l'aide d'un racleur en verre.

## Résoudre des anomalies

Parfois, les anomalies détectées peuvent être facilement résolues. Avant de contacter le Service Technique, prenez en considération les conseils suivants :

Anomalie	Cause probable	Solution
Le fonctionnement électrique général est en panne.	Fusible défectueux. L'interrupteur magnétothermique ou un interrupteur différentiel a sauté.	Vérifiez dans le boîtier de fusibles général si le fusible est en panne et remplacez-le. Vérifiez dans le tableau de distribution électrique si l'interrupteur magnétothermique ou un interrupteur différentiel a sauté.



Anomalie	Cause probable	Solution
L'allumage automatique ne fonctionne pas.	Il peut y avoir des résidus d'aliments ou de nettoyage entre les bougies et les brûleurs.	L'espace entre la bougie et le brûleur doit être propre.
	Les brûleurs sont mouillés.	Séchez soigneusement les couvercles du brûleur.
	Les couvercles du brûleur sont mal placés.	Vérifiez que les couvercles sont bien placés.
	L'appareil n'est pas raccordé à la terre, est mal raccordé à la terre, ou la prise de terre est défectueuse.	Contactez votre installateur électrique.
La flamme du brûleur n'est pas uniforme.	Les pièces du brûleur sont mal placées.	Placez correctement les pièces sur le brûleur correspondant.
	Les rainures du brûleur sont sales.	Nettoyez les rainures du brûleur.
Le flux de gaz ne paraît pas normal ou aucun gaz ne sort.	Le passage de gaz est obstrué par des robinets intermédiaires.	Ouvrez les robinets intermédiaires éventuels.
	Si le gaz provient d'une bouteille, vérifiez qu'elle n'est pas vide.	Changez la bouteille.
Il y a une odeur de gaz dans la cuisine.	Un robinet est ouvert.	Fermez les robinets.
	Mauvais raccord de la bouteille.	Vérifiez que le raccord est parfait.
	Fuite de gaz éventuelle.	Fermez l'arrivée générale du gaz, aérez l'enceinte et prévenez immédiatement un technicien d'installation agréé afin qu'il vérifie et qu'il atteste du bon fonctionnement de l'installation. N'utilisez pas l'appareil jusqu'à ce que l'absence de fuite de gaz dans l'installation ou l'appareil ait été vérifiée.
Le brûleur s'éteint immédiatement après avoir relâché le bouton de commande.	Vous n'avez pas maintenu le bouton de commande enfoncé suffisamment longtemps.	Une fois le brûleur allumé, maintenez le bouton de commande enfoncé quelques secondes de plus.
	Les rainures du brûleur sont sales.	Nettoyez les rainures du brûleur.

## Service Technique

Si vous faites appel à notre Service Technique, vous devez communiquer le numéro de produit (E-Nr.) ainsi que le numéro de fabrication (FD) de l'appareil. Cette information figure sur la plaque signalétique située sur la partie inférieure de la plaque de cuisson, et sur l'étiquette de la notice d'utilisation.

Vous trouverez les données de contact pour tous les pays dans l'annuaire ci-joint du service après-vente.

### Commande de réparation et conseils en cas de dérangements

**B** 070 222 143

**FR** 01 40 10 42 10

**CH** 0848 840 040

Faites confiance à la compétence du fabricant. Vous garantissez ainsi que la réparation sera effectuée par des techniciens de SAV formés qui disposent des pièces de rechange d'origine adaptées à votre appareil.


### Conditions de garantie

Si, contrairement à nos attentes, l'appareil présente un dommage ou ne respecte pas les exigences de qualité prévues, veuillez nous l'indiquer dans les plus brefs délais. Pour que la garantie soit valide, l'appareil ne devra pas avoir été manipulé, ni soumis à une mauvaise utilisation.

Les conditions de garantie applicables sont celles établies par la représentation de notre entreprise dans le pays où l'achat a été effectué. Il est possible d'obtenir des informations détaillées dans les points de vente. Il est nécessaire de présenter le bon d'achat pour bénéficier de la garantie.

Tout droit de modification réservé.

# Emballage et appareils usagés

Si la plaque signalétique de l'appareil contient le symbole , tenez compte des instructions suivantes.

## Élimination écologique

Éliminez l'emballage en respectant l'environnement.



Cet appareil est marqué selon la directive européenne 2012/19/UE relative aux appareils électriques et électroniques usagés (waste electrical and electronic equipment - WEEE).

La directive définit le cadre pour une reprise et une récupération des appareils usagés applicables dans les pays de la CE.

L'emballage de votre appareil a été fabriqué avec les matériaux indispensables pour garantir une protection efficace pendant le transport. Ces matériaux sont entièrement recyclables, ce qui réduit l'impact sur l'environnement. Nous vous encourageons à contribuer également à la préservation de l'environnement, en suivant les conseils ci-dessous :

- déposez l'emballage dans une benne de recyclage adaptée,
- avant de vous défaire d'un appareil, mettez-le hors d'état.  
Consultez votre administration locale pour connaître l'adresse du centre de collecte de matériels recyclables le plus près de chez vous, et apportez-le à ce site,
- ne jetez pas l'huile usagée dans l'évier Conservez-la dans un récipient fermé et remettez-le à un point de collecte ou, le cas échéant, dans un bac approprié (qui sera remis à un déversoir contrôlé ; ce n'est probablement pas la meilleure solution, mais nous évitons ainsi de polluer l'eau).



Constructa Neff  
Vertriebs-GmbH  
Carl-Wery-Straße 34  
D-81739 München



9000781660