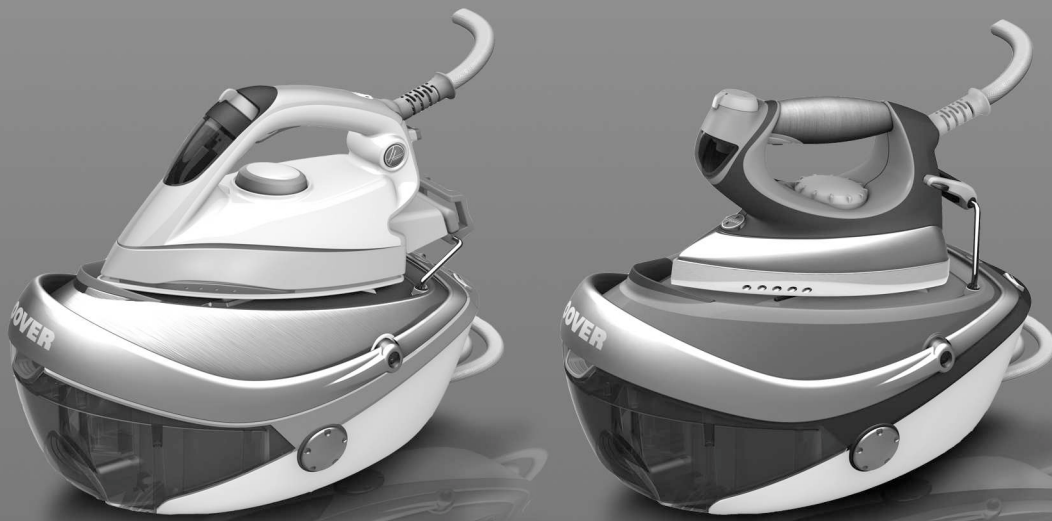


# User Manual



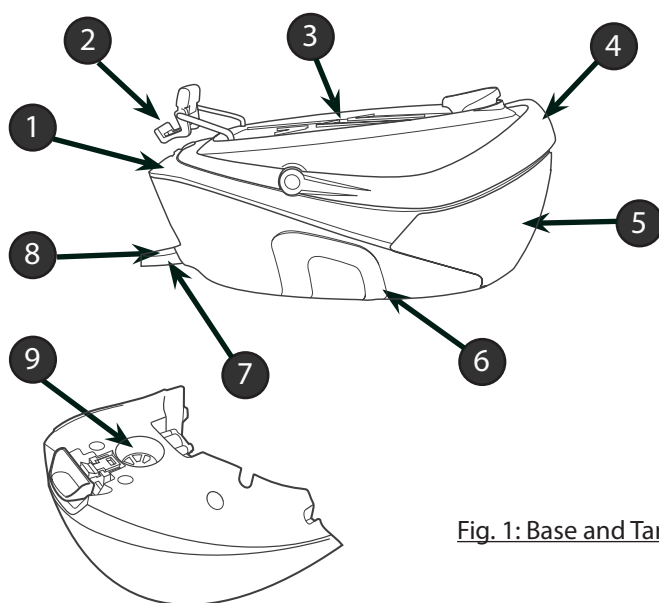
GENERATION FUTURE



*IRONspeed*

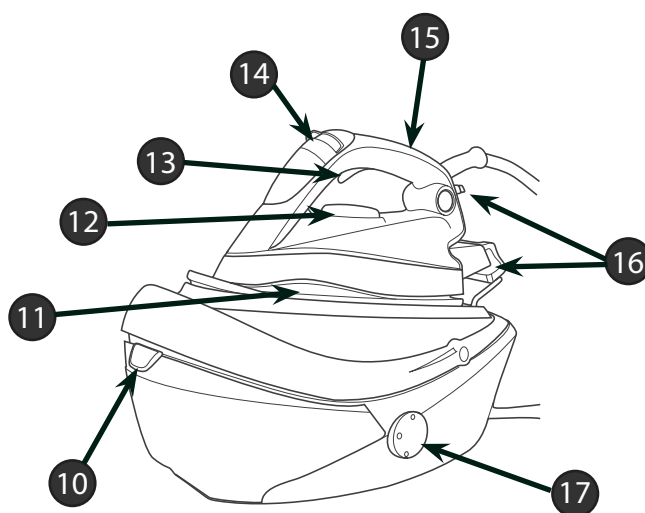
## Summary

English.....	1
Français.....	16
Deutsch.....	31
Italiano.....	46
Nederlands.....	61
Português.....	76
Español.....	91
Slovenčina.....	106



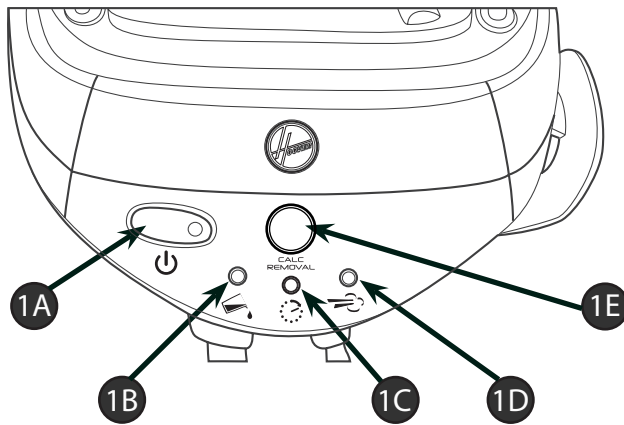
1	Control Panel
2	Iron Lock System
3	Iron Resting Mat
4	Carry Handle
5	Removable Water Tank
6	Cord Storage for Hose and Mains
7	Mains Cord
8	Supply Hose
9	Filling Inlet

Fig. 1: Base and Tank Description



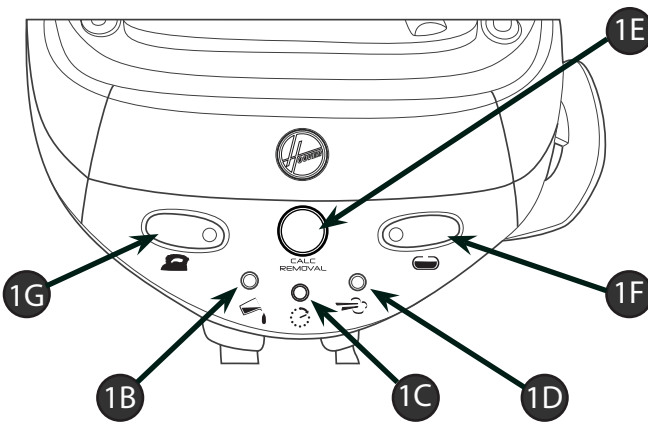
10	Removable Water Tank Knob
11	Soleplate
12	Soleplate Temperature Dial
13	Steam Trigger
14	Multi Steam Technology Selector
15	Soleplate Temperature Indicator
16	Pads for Vertical Positioning
17	Calc Removal Cap

Fig. 2: Domestic Iron Description



<b>1A</b>	On/Off Iron with Power-On Light
<b>1B</b>	"Water Tank Empty" Light
<b>1C</b>	"Automatic Shut-Off" Light
<b>1D</b>	"Steam Ready" Light
<b>1E</b>	Boiler Rinse Indicator and Reset

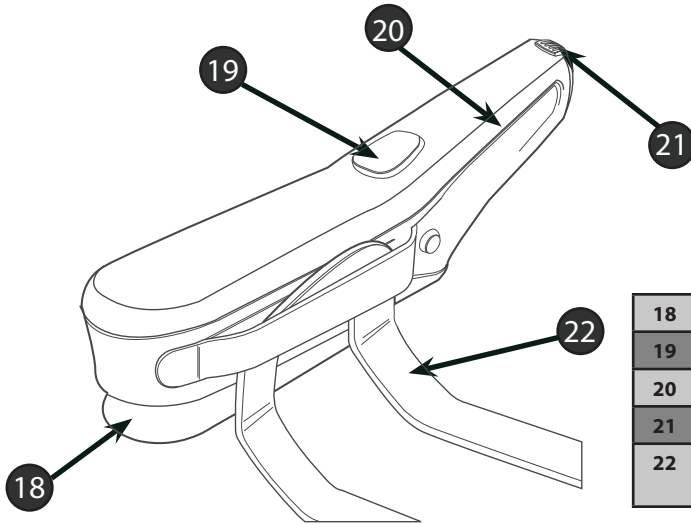
Fig. 3: Domestic Iron Control Panel



<b>1F</b>	On/Off Boiler with Power-On Light
<b>1G</b>	On/Off Iron with Power-On Light

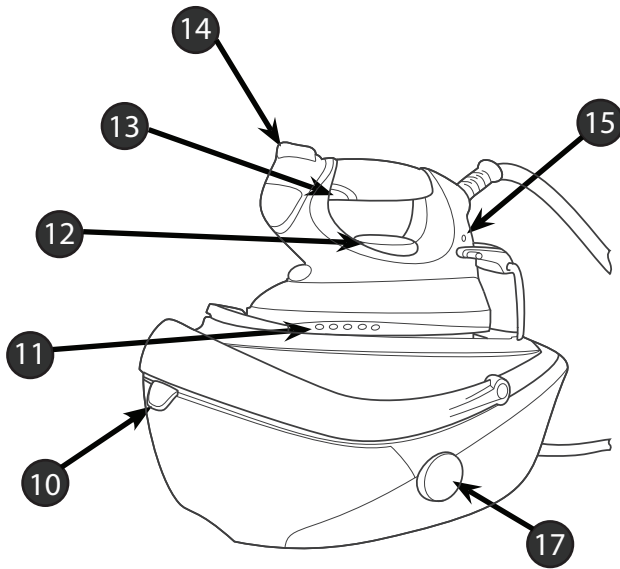
Fig. 4: Pro Iron Control Panel





18	Bristles
19	Steam Trigger
20	Comfort Handle
21	On/Off Switch
22	Professional Brush Support and Cord Storage

Fig. 5: Professional Steam Brush



10	Removable Water Tank Knob
11	Soleplate
12	Soleplate Temperature Dial
13	Steam Trigger and Steam Trigger Lock
14	Multi Steam Technology Selector
15	Soleplate Temperature Indicator
17	Calc Removal Cap

Fig. 6: Pro Iron Description

3 - GB

## Introduction

Dear customer,

First of all, we would like to congratulate you for purchasing this Hoover ironing system and to thank you for the confidence you have in Hoover brand.

This appliance has been manufactured with great care, respecting all of our quality criteria and has been tested several times. We hope its use will fulfil your expectations. We are strongly convinced that it will make your ironing much faster and better.

Before using your new Hoover appliance, please read carefully this user's manual. If you need further information or if you encounter any trouble which are not noticed in this manual, please contact the after-sales service or your standard dealer.

## Important Safety Instructions

Read this user manual carefully before you first use and save it for future reference.

- This product has been designed for domestic use only. In case of any commercial use, inappropriate use or failure to comply with the instructions, the manufacturer is not responsible and the guarantee will not apply.
- Before connecting your appliance, check if the main voltage is the same as the voltage indicated on your appliance and that the power outlet is connected to the earth.
- Ensure before each use that the electric cord or any other important part is not damaged.
- This appliance is not intended to for use by children or persons with reduced physical, sensory or mental capabilities, unless they are adequately supervised in its operation and use by an adult responsible for their safety.
- Children should be supervised to ensure that they do not play with the appliance.
- The iron must be used and placed on a flat and stable surface. When you replace the iron on its stand, make sure that the surface on which you place it is stable.
- Never direct the steam towards persons or animals. Never direct the steam jet towards any other electrical or/and electronic appliances.
- Don't use the appliance if it has fallen down, or if the appliance shows evidence of breakdown, malfunction, leakages. Please make it check by an authorized Service Centre to avoid any danger.
- Always make sure the appliance is switched off, unplugged and cooled down before doing any maintenance work.
- Never leave the appliance unattended when plugged in and before it has cooled down.
- Do not unplug the appliance by pulling on the cord or on the appliance.
- Never immerse the iron, the stand, the cable or the plugs in water. Never hold them under the water tap.
- The soleplate of the iron can become extremely hot and may cause burns if touched. Never touch the electric cords with the soleplate.
- If the supply cord is damaged, it must be replaced by the manufacturer, service agent or similarly qualified persons in order to avoid a hazard.

## Chapter 1.1 - Control Panel

On/off switch (1A): A light on the switch will light on to indicate you that the appliance is switched on (Only models with domestic iron).

On/off iron (1G): By switching it on, the iron soleplate will start to heat up. Recommended for dry ironing session. (only with professional iron).

On/off boiler (1F): By switching it on, the boiler will start to heat up. Please note that iron switch (1G) needs to be switched on for heating up the boiler (only with professional iron).

When the appliance is switched on and "Steam ready" light (1D) is off, it means that steam is ready. You can press the steam trigger and steam will escape from the soleplate. Please note that during use, the light goes on from time to time but you can continue steam ironing without encountering any difficulties.



CALC  
REMOVAL



"Water tank empty" light (1B) is on: There is no more water in the tank. Please refill the tank following the instructions of chapter 2.2

"Rinse indicator" light (1E) is on: You should rinse the boiler in order to avoid deposit of scale. Please refer to chapter 4.2 for further instructions. (only models: SRD 4106, SRD 4108, SRD 4110, SRP 4105)

Auto shut-off" light (1C) is on: After 15mn of non-use of steam, the boiler and the iron start cooling down. In order to restart ironing, switch off then on the main switch (1A). You will need to wait a little bit steam is ready before restarting ironing. Please refer to the steam ready led paragraph for more detail. (only models: SRD 4108, SRD 4110)

## Chapter 1.2 - Lock System

In order to facilitate the carrying and the storage of your ironing system, your appliance is designed with a lock system (2). This system blocks the iron on the upper tray. It's therefore very easy to move and store the appliance. Please follow the underneath indications in order to lock correctly your iron on the resting mat (3).

5 - GB

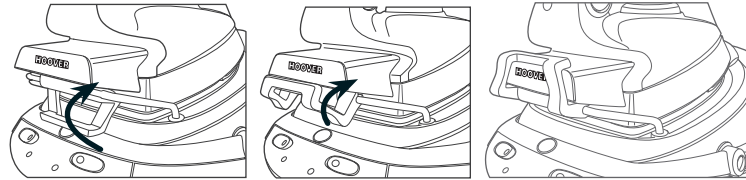


Fig. 7: Domestic Iron Lock System

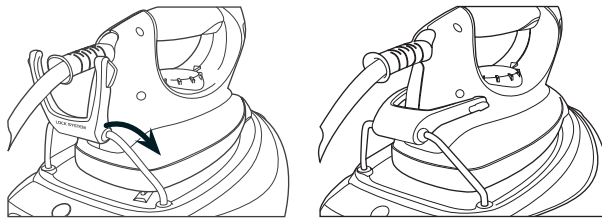


Fig. 8: Pro Iron Lock System

To unlock it, do the opposite of the instructions.

**Warning:** Do not carry your appliance by the iron. Use the designed handle (4).

### Chapter 1.3 - Carry Handle

Your steam generator is equipped with an ergonomic carry handle (4) that will allow you to comfortably transport your appliance when required.

Before using it, be sure that the iron is blocked on the iron resting mat (3). If not, follow the requested instructions in chapter 1.2. Don't forget also to store the cable on the dedicated cord storage (6) for hose and mains. Please also ensure that the water tank is empty.

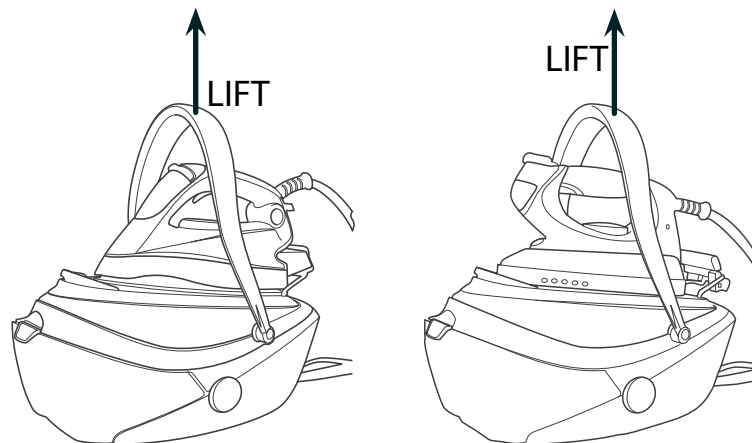


Fig. 9: Carry Handle Graphic





## Chapter 1.4 - Auto Shut-Off



For your support, in the appliance is implemented a switch that automatically goes off if the appliance is not used for 15 minutes.

In order to inform you of the situation you will hear a buzzer sound and the auto shut-off light (1C) will light on.

To reactivate your appliance, switch off then on the main switch (1A) and wait that the steam ready led (1D) lights off.

## Chapter 2: Preperation for Use

Due to the powerful output of steam, Hoover recommends the use of an active ironing board with blowing and vacuuming function which allows escape of any excess steam.

Place the ironing system on a stable and level surface, for example on the hard part of an ironing board or on a heat-resistant surface.

### Chapter 2.1 - What Kind of Water May be Used?

The Hoover ironing system has been designed to be used with tap water only. There is no need to use distilled or pure distilled water. Nevertheless, in case your water is very hard, you can mix 50% of distilled water with 50% of tap water. Do not use any other kind of water or do not add any contents in the removable water tank as it can damage your appliance.

### Chapter 2.2 - Filling the Water Tank

Remove the water tank (5) from the stand by pressing the water tank knob (10). Fill it with tap water. Do not exceed the max mark. Replace the tank at its original place.

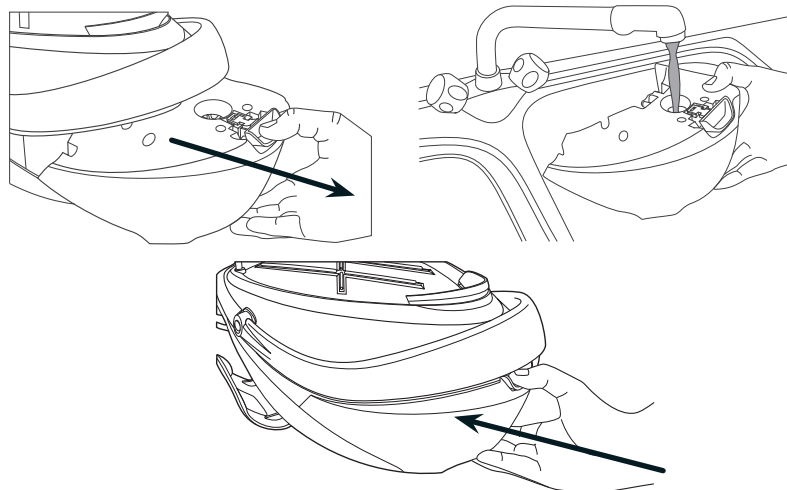


Fig.10: Water Tank Filling Graphic

7 - GB

**Warning:** Do not put any vinegar, hot water, perfume, or any other kind of chemical agents or any other contents in the water tank. It could damage the steam generator and shorten its life use.

## Chapter 2.3 - Switching on the Appliance

### Domestic Iron Models:

Connect the appliance with the mains cord to the earthed socket. Press on the on/off switch. The light of the on/off switch (1a) will switch on and inform you that the appliance is running on and that the boiler is heating up.

After approximately 2 minutes, the "steam ready" led will light off informing you that you can start using steam.

### Professional Iron Models:

Connect the appliance with the main cord to the earthed socket. Press the iron on/off switch (1g) and the boiler on/off switch (1f). The lights of both switches should turned up and inform you that the appliance is running on. The iron soleplate and the boiler are heating up.

N.B.

The first time the appliance is used, some fumes and smell should appear. It's quite normal and will disappear quickly.

## Chapter 3: Using Your Steam Generator

### Chapter 3.1 - Regulating the Soleplate Temperature

Select the temperature of the soleplate by turning the dial (12) on the iron to the desired position. Wait a few moments until the temperature indicator (15) is off. It will indicate you that the soleplate has reached the requested temperature.

While ironing, the temperature dial indicator turns on and off, as the temperature adjusts without interrupting ironing.

#### Help:

*To know the best suitable temperature for each textile, check the laundry care label of the article to be ironed. Please note that during use, the temperature light goes on from time to time. It signifies that the iron is heating up to the set temperature.*

*If a fabric is made with various kinds of fibres always select the soleplate temperature in adequacy with the most delicate one.*

*If you select a lower temperature while ironing, wait until the iron has cooled down to the set temperature before you continue ironing.*

*If the temperature is too low, some drops of water could escape from the soleplate. Please raise up the temperature above the 2 dots (••) to avoid this issue*

8 - GB

## Chapter 3.2 - Ironing

### Dry Ironing

#### Domestic Iron Models:

Select the temperature of the soleplate following the indications of chapter 3.1. Start your ironing without pressing the steam trigger (13), when the soleplate reaches the appropriate temperature.

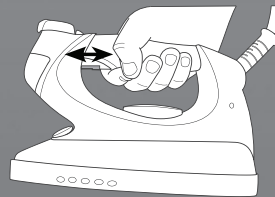
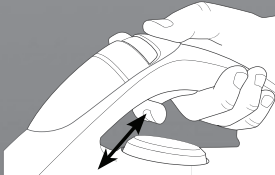
#### Professional iron models:

Switch on only the iron switch (1g). Select the temperature of the soleplate following the indications of chapter 3.1. Start your ironing when the soleplate reaches the appropriate temperature.

### Steam Ironing

Select the temperature of the soleplate following the indications of chapter 3.1. On the stand, when the steam will be ready to be used, the dedicated lamp (1d) will light off. Starting from that time you can begin your ironing and press the steam trigger (13) for having steam. The steam flow stops when you release the trigger.

You have the possibility to regulate the steam flow with the Multi- Steam Technology selector (14) in order to achieve the best results. Please refer to the dedicated chapter 3.3 for more information.



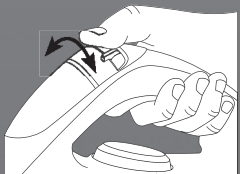
#### Only Professional Iron Models:

**Steam lock function:** The steam lock allows you to steam iron without pressing the steam trigger. Steam will therefore escape continuously. To activate or deactivate the steam lock, slide forwards or backwards the steam lock (13).

#### N.B.

During the use, you should hear some noise coming from your steam generator. It's totally normal. It signifies that a pump injects water into the boiler. It's better to avoid using the steam trigger at this precise moment to avoid pressure falls.

## Chapter 3.3 - How to Choose the Correct Soleplate Temperature and Steam?



9 - GB

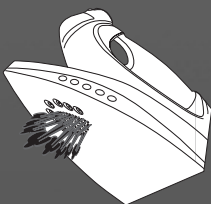
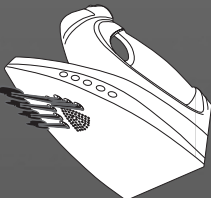
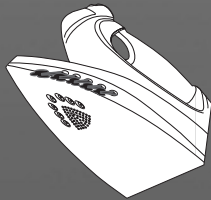
For obtaining the best results, it is really important to set perfectly the temperature of the soleplate and the steam flow you are using. Your Hoover appliance has a unique Multi-Steam Selector selector (14) which will provide outstanding results if correctly use and will simplify your ironing, making it easier and faster.

Thanks to this innovative Multi-Steam Technology implemented in the appliance, you can use steam on mainly all textiles having the best results ever. You have the choice between 3 preset settings: Diffuse caress, Profound care and Precise power. Each setting will adapt the power, the humidity and the direction of the steam flow and therefore the steam flow will be adapted in adequacy with the ironed textile.



Here are the suggestions to obtain the best results:

Textile	Steam Type	Soleplate T°C
Wrinkled Textiles	Precise Power	***/Max
Tricky Zone	Precise Power	**/**
Jeans	Profound Care	Max
Cotton	Profound Care	***
Linen	Profound Care	Max
Starched Clothes	Profound Care	***
Velvet/Alcantara	Profound Care	**
Wool	Profound Care	**
Silk	Diffuse Caresse	**
Cashmere	Diffuse Caresse	**
Rayon	Diffuse Caresse	**
Polyester	No	.
Nylon	No	.
Acrylic	No	.
Lycra	No	.
Polyamid	No	.



#### Diffuse Caresse

This steam flow is dedicated to iron with great care the most delicate textiles like silk and cashmere with a soft and delicate flow. A reduced steam flow is spread carefully in front of the iron on a large part of textile. Fibres are better loosened in order to take away delicately and faster all the creases.

#### Precise Power

The flow is directed towards the tip. It permits to access the most difficult zones, like buttons, sleeves and loops through the concentrated flow in the tip and offers a constant, concentrated and powerful sprout. Difficult zones are better humidified and hence creases removed faster.

#### Profound Care

This vertical steam flow allows removing more easily and quickly the wrinkles on all textiles with a strong and humid jet. Steam impregnates better the fibres and the large soleplate dries the textile. Wrinkles are therefore removed faster.

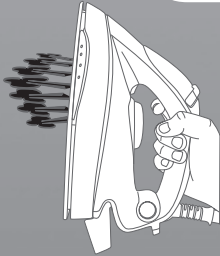
#### Help

*When steam ironing clothes on which shiny patches may occur, we recommend you to set the soleplate temperature to a lower temperature or to iron the garment on the reverse.*

*Start with the fabrics that needed to be ironed at a lower temperature (.) and finish with those that needed to be ironed at the higher temperature (\*\*\*/Max).*



## Chapter 3.4 - Vertical Steam Ironing



Set the soleplate temperature (12) to the max temperature and set the Multi-Steam Technology selector (14) to the Profound care program.

Hang curtains and clothes (jackets, suits, coats). Hold the iron in vertical position at a short distance of the fabric to avoid burning it. Press the steam trigger (13) to steam iron moving it from top to bottom.

**Warning:** Do not direct the steam jet towards people or animals.

## Chapter 3.5 - Refilling the Water Tank During Usage

You can fill the water tank at any time during use.

When the water tank is empty, the "Empty water tank" light (1b) is on. No more steam escapes from the soleplate and steam ironing is no longer possible.

Remove the tank from the stand by pressing the tank knob (10). Refill the water tank without exceeding the max mark level. Replace the water tank at its original place. You can restart ironing immediately.

Please refer to chapter 2.2 for more detailed instructions.

## Chapter 3.6 - Professional Steam Brush (Certain models only)

The professional steam brush attached on your ironing system can be used to iron in a vertical position to easily remove creases on delicate textiles, remove odours such as smoke from textiles and refresh worn garments.

Before using the steam brush, ensure that the ironing system is filled with water. Switch on the appliance and when the steam ready LED lights up, the steam brush is ready to use. Press the steam button on the brush to start cleaning.

**Warning:** Do not direct the steam jet towards people or animals.

## Chapter 4: Maintenance and Cleaning

All the maintenance and cleaning operations have to be done when the unplugged appliance has cooled down for at least 2 hours, to prevent any risk of burns.

### Chapter 4.1 - Cleaning the Appliance

Do not use any detergent or descaling products for cleaning the soleplate. Regularly clean it with a humid and a non-abrasive cleaner.

To clean the plastic parts of the stand, please use soft clothes.

## Chapter 4.2 - Rinsing the Boiler for Scale Maintenance

In order to extend the life of your appliance, you should rinse the boiler to avoid scale deposit in the boiler. You should rinse it every 2 months or wait until the "rinse" light (1e) flashes.

### Models with "Rinse" Light

When the rinse light (1e) flashes, you should continue your ironing session normally. Only remember to clean the boiler before use next time you plan to iron. Proceed as followed:

Before going on, be sure that the appliance is cooled down and unplugged for at least 2 hours.

Place the stand on the edge of your sink and place the iron on a flat surface. Remove the calc removal cap (17). Unscrew the boiler rinse safety cap anti-clockwise with a coin and remove it. Fill the boiler with 0,2 litres of tap water using a bottle and a funnel. Shake the stand and then empty the boiler completely, filing out the water in the sink. We recommend repeating this operation twice. Screw the boiler rinse safety cap with a coin and put back the calc removal cap (17).

Next time you will plug and switch on your appliance, the rinse light (1e) will continue flashing. Reset the appliance by pressing the rinse indicator and you can start your ironing session immediately.

### Models Without "Rinse" Light

Before proceeding, be sure that the appliance is cooled down and unplugged for at least 2 hours.

Place the stand on the edge of your sink and place the iron on a flat surface. Remove the calc removal cap (17). Unscrew the boiler rinse safety cap anti-clockwise with a coin and remove it. Fill the boiler with 0,2 litres of tap water using a bottle and a funnel. Shake the stand and then empty the boiler completely, filing out the water in the sink. We recommend repeating this operation twice. Screw the boiler rinse safety cap with a coin and put back the calc removal cap (17).

In any case, do not use any descaling products to clean or rinse the boiler.

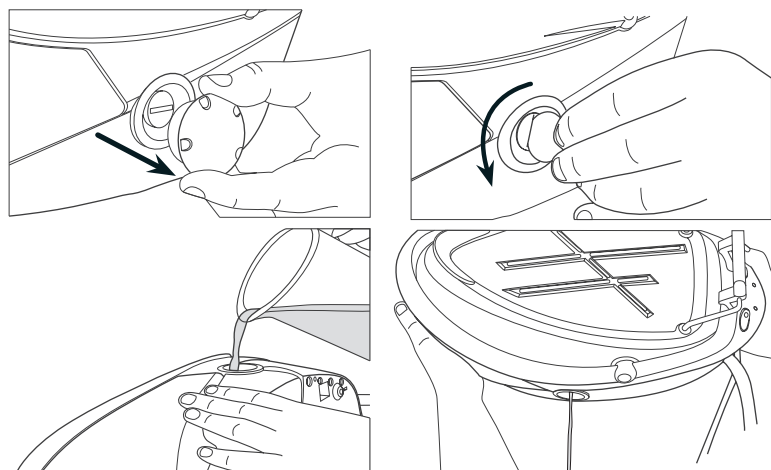
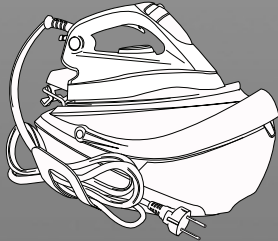


Fig. 11: Cleaning Operation



## Chapter 4.3 - Storage



Put the iron on the heat-resistant iron-resting mat (3).

Switch off the appliance and unplug it.

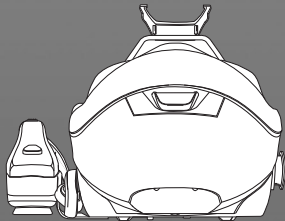
Empty the water tank.

Wait at least 30 minutes allowing the soleplate and the generator to cool down.

Lock the iron thanks to the iron lock system (2). Please report to the dedicated chapter 1.2 for further instructions.

Store both steam and electrical cables in the cord storage feature (6).

For model SRD 41110, put the anti-wrinkles brush on its support and put the cable in its storage.



Use the handle (4) in order to carry the appliance by following the requested instructions of chapter 1.3.

Then you can take away your appliance in order to store it safely and easily.





## Troubleshooting

Problem	Cause	Solution
The appliance does not become hot	There is a connection problem	Check the mains cord, the plug and the wall socket
	The appliance is not switched on	Press on the on/off switch
	The soleplate temperature is too low	Set a higher temperature of the soleplate
The appliance does not produce steam	The appliance is not switched on	Press on the on/off switch
	The boiler has not yet heated up	Wait a few moments until the steam ready LED is off
	The water tank may be empty	Refill the water tank
	You are not pressing the steam trigger	Press the steam trigger
Steam escapes from the calc removal cap when ironing	The soleplate temperature is set to the maximum	It works but steam is not visible as very hot and dry
	The calc removal valve is not tightened enough	Switch off the appliance and let it cool down. Remove the calc removal cap and tighten the valve correctly
The empty water tank LED is on	The anti-scale valve is damaged	Contact your after sales service
	There is no more water in the tank	Refill the water tank with water
The soleplates becomes dirty or brown	There should be chemical or additives in the water used for ironing	Never use any chemical or additives in the water. Contact your after sales service if the linen is still dirty
	The linen is still dirty	Clean the soleplate with a non-metallic sponge
Water stripes appear on the textile	Your ironing board cover is saturated in water	Change the cover or use a mesh ironing board
Some scale deposit appears on the soleplate	Your boiler has not been rinsed for a while	Follow the indications in the appropriate chapter







## Important Information

### Hoover spares and Consumables

Always replace parts with genuine Hoover spares. These are available from your local Hoover dealer or direct from Hoover. When ordering spare parts, always check your model number.

### Hoover Service

Should you require service at any time, please contact your local Hoover Service Office. Please see all the contact details below.

### Safety

Hoover believes that independent approval is the best way of demonstrating safety in design and manufacture. "Istituto del Marchio di Qualità" (IMQ), the independent Italian national authority for the safety of domestic electrical appliances, ensures that European safety standards are met and maintained throughout the production life of an appliance. All appliances that pass the requirements are permitted to carry the IMQ mark of safety.

### Quality

ISO 9001

Hoover's factories have been independently assessed for quality. Our products are made using a quality system which meets the requirements of ISO 9001

### The Environment

This appliance is marked according to the European Directive 2002/96/EC on Waste Electrical and Electronic Equipment (WEEE).

By ensuring this product is disposed of correctly you will help prevent potential negative consequences for the environment and human health, which could otherwise be caused by inappropriate waste handling of this product.

The symbol on the product indicates that this product may not be treated as household waste. Instead it shall be handed over to the appliance collection point for recycling of electrical and electronic equipment.

Disposal must be carried out in accordance with the local environmental regulations for waste disposal.

For more detailed information about treatment, recovery and recycling of this product, please contact your local city office, your household waste disposal service or the shop where you purchased the product.

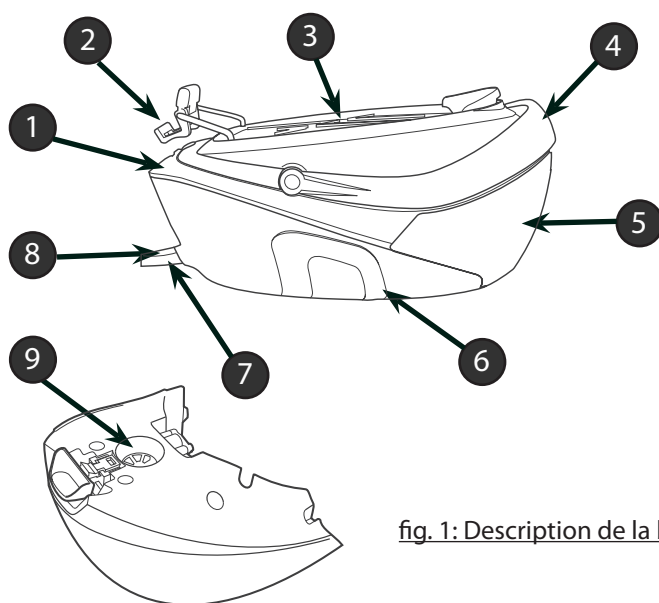
### Your Guarantee

The guarantee conditions for this appliance are as defined by our representative in the country in which it is sold. Details regarding these conditions can be obtained from the dealer from whom the appliance was purchased. The bill of sale or receipt must be produced when making any claim under the terms of this guarantee.

Subject to change without notice.

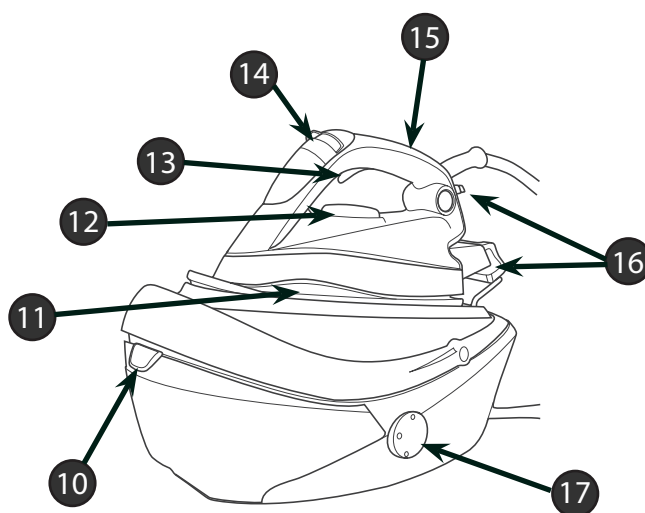
15 - GB





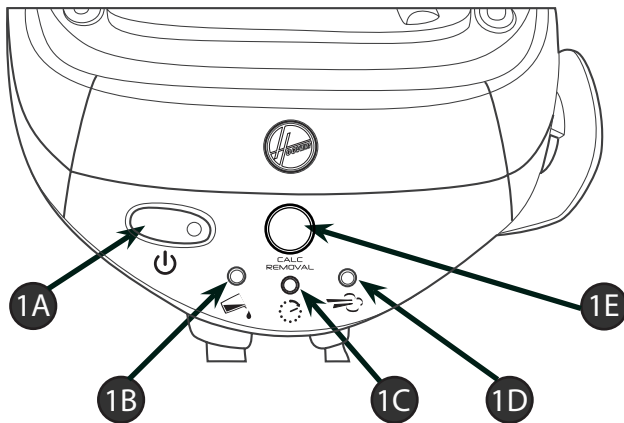
1	Panneau de commande
2	Système de blocage du fer
3	Tapis support
4	Poignée transport
5	Réservoir d'eau amovible
6	Rangement pour flexible et cordon
7	Cordon d'alimentation
8	Flexible d'alimentation
9	Orifice de remplissage

fig. 1: Description de la base et du réservoir



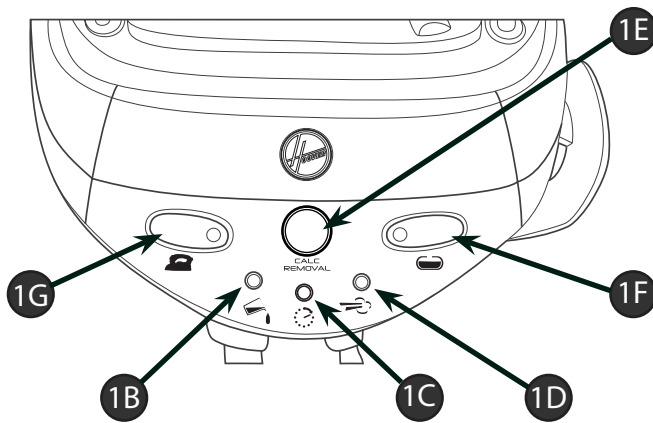
10	Bouton du réservoir d'eau amovible
11	Semelle
12	Cadran de température de la semelle
13	Déclencheur de vapeur
14	Sélecteur Multi Steam Technology
15	Témoin de température de la semelle
16	Protections pour le positionnement vertical
17	Bouchon d'élimination du calcaire

fig. 2: Description du fer domestique



<b>1A</b>	Bouton de Marche/Arrêt du fer avec témoin
<b>1B</b>	Témoin de réservoir vide
<b>1C</b>	Témoin d'arrêt automatique
<b>1D</b>	Témoin de vapeur prête
<b>1E</b>	Témoin de rinçage de la chaudière et réinitialisation

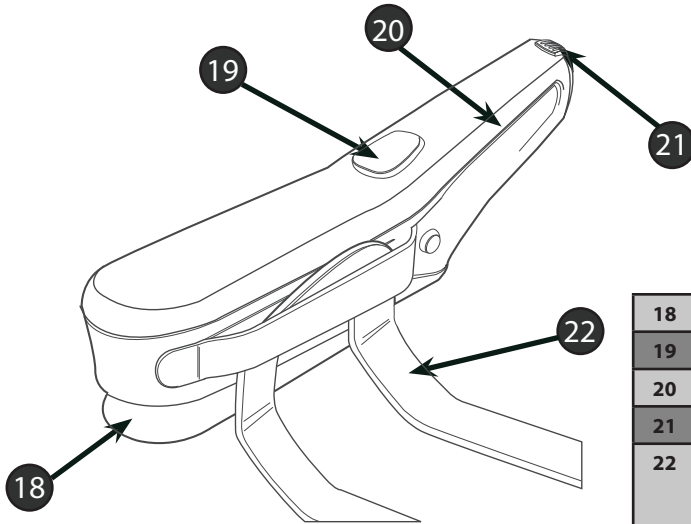
fig. 3: Panneau de commande du fer domestique



<b>1F</b>	Bouton de Marche/Arrêt de la chaudière avec témoin
<b>1G</b>	Bouton de Marche/Arrêt du fer avec témoin

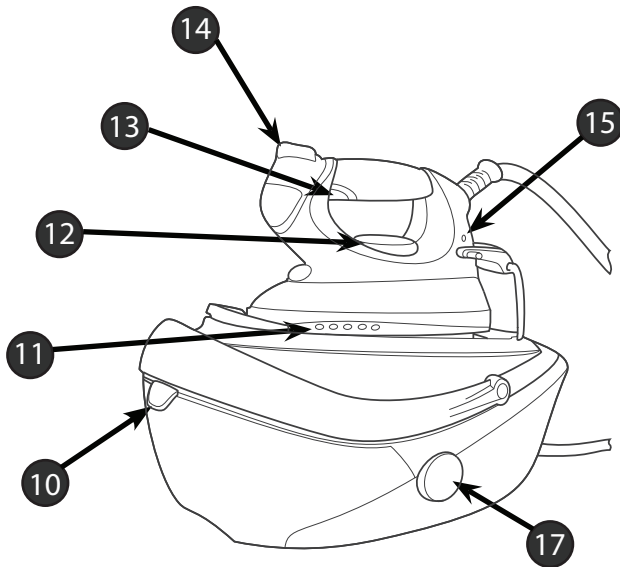
fig. 4: Panneau de commande du fer professionnel





18	Poils
19	Déclencheur de vapeur
20	Poignée ergonomique
21	Bouton de Marche/Arrêt.
22	Support pour brosse professionnelle et rangement du cordon

fig. 5: Brosse à vapeur professionnelle



10	Bouton du réservoir d'eau amovible
11	Semelle
12	Cadran de température de la semelle
13	Déclencheur et bloqueur de vapeur
14	Sélecteur Multi Steam Technology
15	Témoin de température de la semelle
17	Bouchon d'élimination du calcaire

fig. 5: Description du fer professionnel

## Introduction

Cher Client,

Nous souhaitons tout d'abord vous remercier d'avoir acheté une centrale vapeur Hoover et d'avoir fait confiance à la marque Hoover.

Cet appareil a été fabriqué avec grand soin et dans le respect de nos critères de qualité, puis testé à plusieurs reprises. Nous espérons que vos attentes seront satisfaites et sommes absolument convaincus qu'il rendra votre repassage beaucoup plus facile et rapide.

Avant d'utiliser votre nouvel appareil Hoover, prenez le temps de lire attentivement ce manuel. Si vous avez besoin d'informations supplémentaires ou si vous rencontrez des problèmes non traités dans ce manuel, veuillez contacter le service après vente ou votre revendeur local.

## Instructions importantes de sécurité

Veuillez lire attentivement ce manuel d'utilisation avant d'utiliser le fer pour la première fois et gardez-le pour pouvoir le consulter à d'autres occasions.

- Ce produit a été conçu uniquement pour l'usage domestique. En cas d'usage commercial, d'utilisation inappropriée ou de non respect des instructions, le fabricant décline toute responsabilité et la garantie sera invalidée.
- Avant de brancher l'appareil, vérifiez que la tension du courant est la même que celle indiquée sur l'appareil et que la prise est connectée à la terre.
- Avant chaque utilisation, vérifiez que le cordon électrique ou toute autre pièce importante n'est pas endommagé(e).
- Cet appareil ne doit pas être utilisé par des enfants ou des personnes ayant des capacités physiques, sensorielles ou mentales réduites, à moins que leur sécurité soit adéquatement assurée par un adulte lors de l'utilisation.
- Surveillez que les enfants ne jouent pas avec l'appareil.
- Le fer doit être utilisé et posé sur une surface plate et stable. Quand vous replacez le fer sur son support, assurez-vous que la surface de pose est stable.
- Ne dirigez jamais le jet de vapeur vers des personnes ou des animaux. Ne dirigez jamais le jet de vapeur vers d'autres appareils électriques ou électroniques.
- N'utilisez pas l'appareil s'il est tombé ou s'il présente des dommages, dysfonctionnements ou fuites. Pour éviter tout danger, veuillez faire vérifier l'appareil par un centre de service agréé.
- Avant toute intervention d'entretien, vérifiez toujours que l'appareil est éteint, débranché et a refroidi.
- Ne laissez jamais l'appareil sans surveillance quand il est branché et n'a pas encore refroidi.
- Ne débranchez pas l'appareil en tirant sur le cordon ou sur l'appareil.
- N'immergez jamais le fer, le support, le câble ou les fiches dans l'eau. Ne les mettez jamais sous le robinet.
- La semelle du fer peut devenir extrêmement chaude et provoquer des brûlures en cas de contact. Ne touchez jamais les cordons électriques avec la semelle.
- Si le cordon d'alimentation est endommagé, il doit être remplacé par le fabricant, le service après-vente ou d'autres personnes qualifiées pour éviter tout danger.

## Chapitre 1.1 - Panneau de commande

**Bouton de Marche/Arrêt (1A):** Un témoin s'allume sur le commutateur pour indiquer que l'appareil est allumé (Concerne les modèles de fers pour usage domestique uniquement).

**Fer allumé/éteint (1G):** Quand ce bouton est allumé, la semelle commence à chauffer. Conseillé pour le repassage à sec. (uniquement avec un fer professionnel).

**Chaudière allumée/éteinte (1F):** Quand ce bouton est allumé, le bouilleur commence à chauffer. Notez que le commutateur du fer (1G) doit être allumé pour que le bouilleur chauffe (uniquement avec un fer professionnel).

Quand l'appareil est allumé et que le témoin de vapeur prête (1D) est éteint, la vapeur est prête à l'emploi. Vous pouvez appuyer sur le déclencheur afin de faire sortir de la vapeur sous la semelle. Notez que le témoin s'allume de temps en temps pendant l'utilisation, mais que vous pouvez continuer à repasser à la vapeur sans problème.



Le témoin de réservoir vide (1B) est allumé : il n'y a plus d'eau dans le réservoir. Remplissez le réservoir en suivant les instructions du chapitre 2.2.



Le témoin de rinçage (1E) est allumé : vous devez rincer la chaudière pour éviter les dépôts de calcaire. Veuillez vous reporter au chapitre 4.2 pour de plus amples informations. (uniquement pour les modèles: SRD 4106, SRD 4108, SRD 4110, SRP 4105)



Le témoin d'arrêt automatique (1C) est allumé : si la vapeur n'est pas utilisée pendant 15 minutes, la chaudière et le fer commencent à refroidir. Pour recommencer à repasser, mettez le commutateur général (1A) sur Arrêt, puis sur Marche. Vous devrez attendre un peu que la vapeur soit chaude avant de recommencer à repasser. Pour de plus amples informations, veuillez vous reporter au paragraphe sur le témoin de vapeur prête. (uniquement pour les modèles: SRD 4108, SRD 4110)



## Chapitre 1.2 - Système de blocage

Pour faciliter le transport et le rangement de votre système de repassage, l'appareil comprend un système de blocage (2). Ce système bloque le fer sur le support supérieur. Cela facilite le déplacement et le rangement de l'appareil. Suivez les instructions ci-dessous pour bloquer le fer sur le tapis support (3).

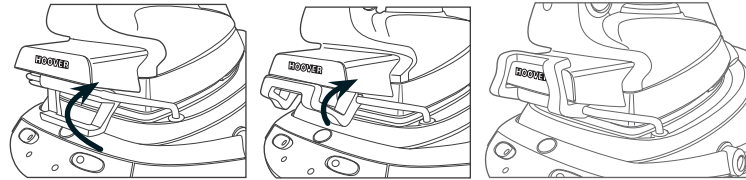


fig. 7: Système de blocage du fer domestique

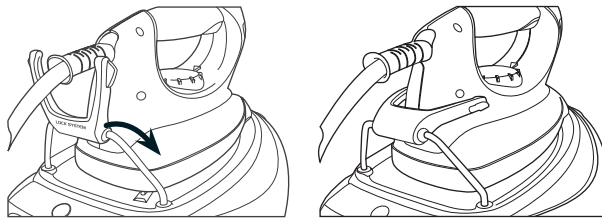


fig. 8: Système de blocage du fer professionnel

Pour le débloquer, suivez les instructions en sens inverse.

**Mise en garde:** Ne portez pas votre appareil en le tenant par le fer. Utilisez la poignée prévue à cet effet (4).

### Chapitre 1.3 - Poignée transport

La centrale vapeur est dotée d'une poignée de transport ergonomique (4) qui vous permettra de transporter facilement votre appareil quand vous le souhaitez.

Avant de l'utiliser, vérifiez que le fer est fixé sur le tapis support (3). Si ce n'est pas le cas, suivez les instructions à ce sujet au chapitre 1.2. En outre, n'oubliez pas de ranger le câble à l'endroit prévu à cet effet (6) pour le flexible et le cordon. Vérifiez aussi que le réservoir d'eau est vide.

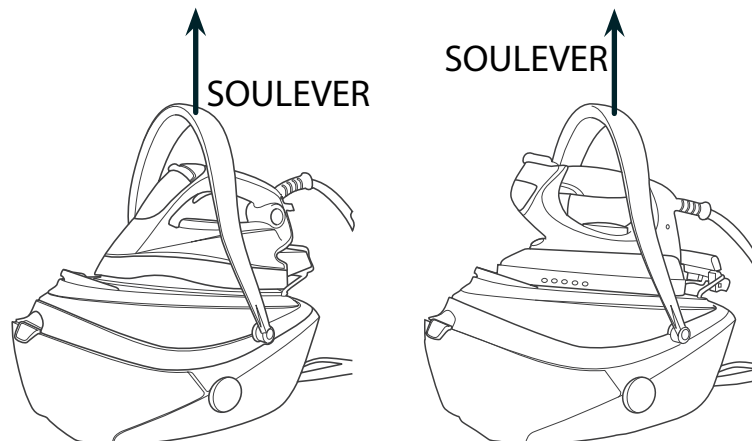


fig. 9: Illustration de la poignée de transport



## Chapitre 1.4 - Arrêt automatique



L'appareil dispose d'un commutateur qui éteint automatiquement l'appareil s'il n'est pas utilisé pendant 15 minutes.

Afin de vous en informer, un signal sonore retentit et le témoin d'arrêt automatique (1C) s'allume.

Pour réactiver l'appareil, mettez le commutateur général (1A) sur Arrêt, puis sur Marche et attendez que le témoin de vapeur prête (1D) s'allume.

## Chapitre 2: Préparation à l'emploi

Étant donné la sortie puissante de vapeur, Hoover conseille d'utiliser une planche à repasser active, avec fonctions de soufflerie et d'aspiration permettant l'évacuation de la vapeur en excès.

Placez la centrale vapeur sur une surface stable et plane, par exemple sur la partie dure d'une planche à repasser ou une surface résistante à la chaleur.

### Chapitre 2.1 - Quel type d'eau peut être utilisé ?

Le système de repassage Hoover a été conçu pour être utilisé avec de l'eau du robinet. Il n'est pas nécessaire d'utiliser de l'eau distillée ou pure. Cependant, si vous vivez dans une région où l'eau est très dure, vous pouvez mélanger 50% d'eau distillée et 50% d'eau du robinet. N'utilisez pas d'autres types d'eau et n'ajoutez aucun autre élément dans le réservoir à eau amovible, car cela risquerait d'endommager l'appareil.

### Chapitre 2.2 - Remplissage du réservoir d'eau

Retirez le réservoir d'eau (5) de son support en appuyant sur le bouton du réservoir d'eau (10). Remplissez avec de l'eau du robinet. Ne dépassez pas le repère de niveau maximum. Remplacez le réservoir à sa place.

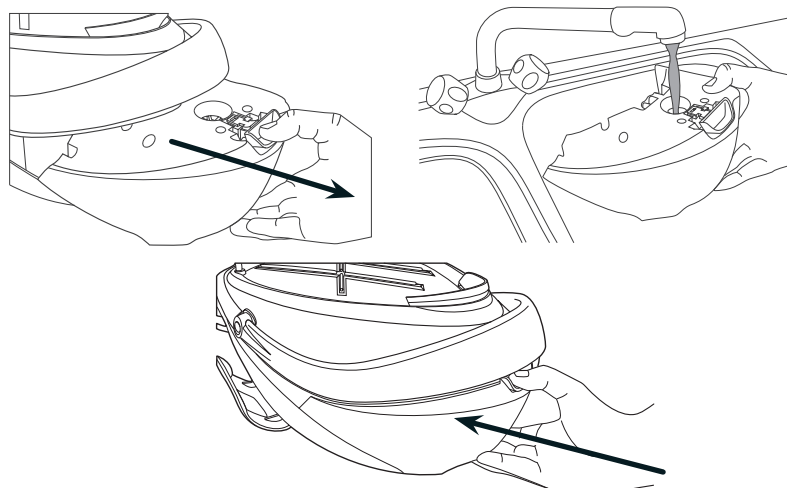


fig. 10: Remplissage du réservoir d'eau



**Mise en garde:** N'ajoutez pas de vinaigre, d'eau chaude, de parfum ou tout autre agent chimique ou autre dans le réservoir à eau. Cela risquerait d'endommager la centrale vapeur et d'écourter sa durée de vie.

## Chapitre 2.3 - Mise sous tension de l'appareil

### Modèles de fers domestiques:

Branchez l'appareil à l'aide du cordon d'alimentation à une prise mise à la terre. Appuyez sur le bouton de Marche/Arrêt. Le témoin du commutateur Marche/Arrêt (1a) s'allume pour indiquer que l'appareil est sous tension et que la chaudière est en train de chauffer l'eau.

Après deux minutes environ, le témoin de vapeur prête s'éteint et vous pouvez commencer à utiliser la vapeur.

### Modèles de fers à repasser professionnels:

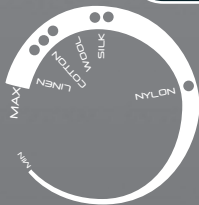
Branchez l'appareil à l'aide du cordon à une prise mise à la terre. Appuyez sur le bouton de Marche/Arrêt (1g) du fer et sur le bouton de Marche/Arrêt de la chaudière (1f). Les témoins des deux boutons doivent s'allumer pour vous informer que l'appareil fonctionne. La semelle du fer et la chaudière sont en train de chauffer.

N.B.

Lors de la première utilisation de l'appareil, il est possible que le fer fume et qu'une odeur forte soit produite. Cela est parfaitement normal et disparaîtra rapidement.

## Chapitre 3: Utilisation de la centrale vapeur

### Chapitre 3.1 - Réglage de température de la semelle



Sélectionnez la température de la semelle en tournant le cadran (12) du fer à la position souhaitée. Attendez quelques instants jusqu'à ce que l'indicateur de température (15) s'éteigne, vous indiquant ainsi que la semelle a atteint la température demandée.

Pendant le repassage, l'indicateur de température peut s'allumer et s'éteindre, ce qui indique un réglage de la température, mais il n'est pas nécessaire d'interrompre le repassage.

#### Aide:

*Consultez l'étiquette de lavage du vêtement pour sélectionner la température la mieux adaptée à chaque tissu. Notez que le témoin de température s'allume de temps en temps pendant l'utilisation. Cela indique que le fer est en train de chauffer pour atteindre la température réglée.*

*Si le vêtement contient plusieurs types de fibres, sélectionnez toujours la température de la semelle en fonction du tissu le plus délicat.*

*Si vous sélectionnez une température inférieure pendant le repassage, attendez que le fer ait refroidi et atteint la température réglée avant de continuer à repasser.*

*Si la température est trop basse, il est possible que quelques gouttes d'eau s'échappent de la semelle. Réglez la température au-dessus des deux points (↔) pour éviter ce problème.*

## Chapitre 3.2 - Repassage

### Repassage à sec

Modèles de fers domestiques:

Sélectionnez la température de la semelle en suivant les indications du Chapitre 3.1. Quand la semelle atteint la température requise, commencez à repasser sans appuyer sur le déclencheur de vapeur (13).

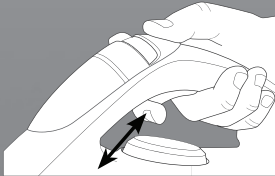
Modèles de fers à repasser professionnels:

Allumez uniquement le commutateur du fer (1g). Sélectionnez la température de la semelle en suivant les indications du Chapitre 3.1. Commencez à repasser quand la semelle atteint la température appropriée.

### Repassage à vapeur

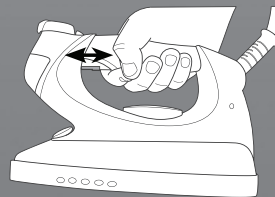
Sélectionnez la température de la semelle en suivant les indications du Chapitre 3.1. Sur le support, le témoin (1d) s'éteint quand la fonction vapeur est prête. Dès ce moment, vous pouvez commencer à repasser et appuyer sur le déclencheur de vapeur (13). Le débit de vapeur s'arrête quand vous relâchez le déclencheur.

Pour obtenir des résultats optimaux, vous pouvez régler le débit à l'aide du sélecteur Multi Steam Technology (14). Pour obtenir de plus amples informations à ce sujet consultez le chapitre 3.3.



Modèles de fers à repasser professionnels uniquement:

Fonction de verrouillage de vapeur : Le verrouillage de vapeur vous permet de repasser à la vapeur sans devoir appuyer sur le déclencheur. La vapeur sera ainsi produite en continu. Pour activer ou désactiver le verrouillage de vapeur, faites glisser le bouton de verrouillage (13) vers l'avant ou l'arrière.

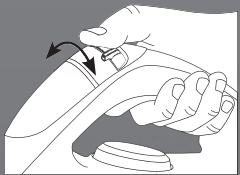


N.B.

Pendant l'usage, vous entendrez parfois un bruit provenant du générateur de vapeur. Cela est normal. Et ce phénomène se manifeste quand la pompe injecte de l'eau dans la chaudière. Il vaut mieux ne pas utiliser le déclencheur de vapeur à ce moment-là, pour éviter une chute de la pression.

## Chapitre 3.3 - Comment choisir la température de la semelle et le débit de vapeur appropriés ?

Pour obtenir des résultats optimaux, il est fondamental de régler correctement la température de la semelle et le débit de vapeur à utiliser. Votre appareil Hoover est doté d'un sélecteur Multi Steam Technology (14) unique. Si vous l'utilisez correctement, cette fonction rendra votre repassage plus facile et rapide, et vous permettra d'obtenir des résultats exceptionnels.



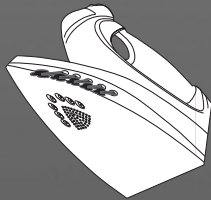
Grâce aux fonctions innovatrices de Multi Steam Technology, vous pouvez utiliser la vapeur sur la plupart des tissus et obtenir ainsi d'excellents résultats. Vous pouvez choisir trois fonctions préréglées : Diffuse Caresse (Caresse diffuse), Deep Care (Soin profond) et Precise Power (Puissance précise). Avec chaque réglage, l'humidité, la puissance et la direction du débit de vapeur sont définis, de sorte que vous pouvez adapter le repassage à chaque vêtement et obtenir des résultats exceptionnels.

24 - FR



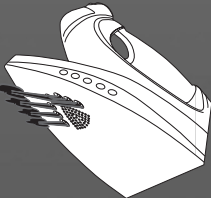
Voici quelques conseils pour obtenir des résultats optimaux :

Tissus	Type de vapeur	T°C semelle
Tissus froncés	Precise Power	•••/Max
Zones délicates	Precise Power	••/•••
Jeans	Deep Care	Max
Coton	Deep Care	•••
Lin	Deep Care	Max
Vêtements amidonnés	Deep Care	•••
Velours/alcantara	Deep Care	••
Laine	Deep Care	••
Soie	Diffuse Care	••
Cachemire	Diffuse Care	••
Viscose	Diffuse Care	••
Polyester	No	•
Nylon	No	•
Acrylique	No	•
Lycra	No	•
Polyamide	No	•



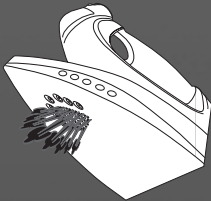
#### Diffuse Caresse

Ce type de débit de vapeur, léger et réduit est adapté aux tissus les plus délicats, comme la soie et le cachemire. Il est vaporisé doucement sur l'avant latéral du fer. Les fibres sont desserrées de manière à ce que les plis soient éliminés rapidement sans abîmer le vêtement.



#### Precise Power

Il s'agit d'un débit concentré, dirigé vers la pointe. Le jet constant et puissant permet d'atteindre les zones difficiles telles que boutons, manches et boucles. Les zones difficiles sont ainsi mieux humidifiées, ce qui permet d'éliminer plus facilement les plis.



#### Deep Care

Grâce à un jet puissant et humide, la vapeur verticale élimine rapidement et facilement les plis sur la plupart des tissus. La vapeur s'imprègne en profondeur dans les fibres et la semelle sèche le tissu. Les plis sont ainsi éliminés plus facilement.

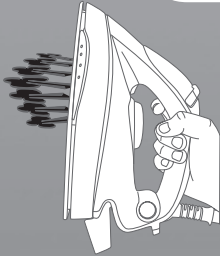
#### Aide

*Quand vous repassez à la vapeur des vêtements sur lesquels des tâches brillantes risquent de se former, nous vous conseillons de régler la semelle à une température plus basse ou de repasser sur l'envers du tissu.*

*Commencez par les matières qui doivent être repassées à basse température (•) et terminez par celles qui doivent être repassées à haute température (•••/Max).*



## Chapitre 3.4 - Repassage vertical à vapeur



Réglez la semelle à la température (12) maximum et mettez le sélecteur Multi Steam Technology (14) sur le programme *Deep Care*.

Suspendez les rideaux ou vêtements (vestes, tailleurs, manteaux). Tenez le fer en position verticale à quelques centimètres du tissu, pour éviter de le brûler. Appuyez sur le déclencheur de vapeur (13) pour obtenir la vapeur et déplacez le fer du haut vers le bas.

**Mise en garde:** Ne dirigez jamais le jet de vapeur vers des personnes ou des animaux.

## Chapitre 3.5 - Remplissage du réservoir d'eau pendant l'usage

Vous pouvez remplir le réservoir d'eau à tout moment pendant l'usage.

Quand le réservoir est vide, le témoin de réservoir vide (1b) s'allume. La vapeur ne sort plus de la semelle.

Retirez le réservoir de son support en appuyant sur le bouton du réservoir d'eau (10). Remplissez le réservoir d'eau sans dépasser le repère de niveau maximum. Remplacez le réservoir d'eau à sa place. Vous pouvez recommencer immédiatement à repasser.

Pour obtenir de plus amples informations à ce sujet consultez le chapitre 3.3.

## Chapitre 3.6 - Brosse à vapeur professionnelle (Certains modèles seulement)

La brosse à vapeur professionnelle montée sur votre système de repassage sert à repasser en position verticale pour éliminer facilement les plis sur des tissus délicats, à supprimer les odeurs telles que la fumée et à rafraîchir des vêtements déjà portés.

Avant d'utiliser la brosse à vapeur, vérifiez que le système de repassage est rempli d'eau. Allumez l'appareil, la brosse à vapeur est prête à l'usage quand le témoin de vapeur prête s'allume. Appuyez sur le bouton de vapeur de la brosse pour commencer le nettoyage.

**Mise en garde:** Ne dirigez jamais le jet de vapeur vers des personnes ou des animaux.

## Chapitre 4: Entretien et nettoyage

Pour éviter tout risque de brûlure, toutes les opérations d'entretien et de nettoyage doivent être effectuées quand l'appareil est débranché et a refroidi pendant deux heures au moins.

### Chapitre 4.1 - Nettoyage de l'appareil

N'utilisez pas de détergent ou de produit décapant pour nettoyer la semelle. Nettoyez-la régulièrement avec une éponge humide non métallique.

Pour nettoyer les pièces en plastique du support, utilisez des chiffons doux.

## Chapitre 4.2 - Rinçage de la chaudière pour éliminer le calcaire

Afin que votre appareil ait une durée de vies maximum, rincez la chaudière pour éviter les dépôts de calcaire. Rincez-la tous les deux mois ou attendez que le témoin de rinçage (1e) clignote.

### Modèles dotés du témoin de rinçage

Quand le témoin de rinçage (1e) clignote, continuez normalement votre repassage, mais n'oubliez pas de nettoyer la chaudière avant la prochaine utilisation du fer. Pour ce faire, procédez comme suit ::

Avant cette opération, assurez-vous que le fer est débranché et a refroidi pendant deux heures au moins.

Posez le support sur le bord de l'évier et le fer sur une surface plane. Retirez le bouchon d'élimination du calcaire (17). Avec une pièce de monnaie, faites tourner le bouchon de sécurité de la chaudière dans le sens contraire des aiguilles d'une montre et retirez-le. À l'aide d'un entonnoir et d'une bouteille, mettez 0,2 litres d'eau du robinet dans la chaudière. Agitez le support, puis videz complètement la chaudière dans l'évier. Nous vous conseillons d'effectuer deux fois cette opération. À l'aide d'une pièce de monnaie, revissez le bouchon de sécurité de la chaudière et remplacez le bouchon d'élimination du calcaire (17).

La prochaine fois que vous branchez votre appareil et l'allumez, le témoin de rinçage (1e) clignotera encore. Réinitialisez en appuyant sur le témoin de rinçage. Vous pouvez dès lors recommencer à repasser immédiatement.

### Modèles sans témoin de rinçage

Avant cette opération, assurez-vous que le fer est débranché et a refroidi pendant deux heures au moins.

Posez le support sur le bord de l'évier et le fer sur une surface plane. Retirez le bouchon d'élimination du calcaire (17). Avec une pièce de monnaie, faites tourner le bouchon de sécurité de la chaudière dans le sens contraire des aiguilles d'une montre et retirez-le. À l'aide d'un entonnoir et d'une bouteille, mettez 0,2 litres d'eau du robinet dans la chaudière. Agitez le support, puis videz complètement la chaudière dans l'évier. Nous vous conseillons d'effectuer deux fois cette opération. À l'aide d'une pièce de monnaie, revissez le bouchon de sécurité de la chaudière et remplacez le bouchon d'élimination du calcaire (17).

N'utilisez en aucun cas des produits décapants pour nettoyer ou rincer le bouilleur.

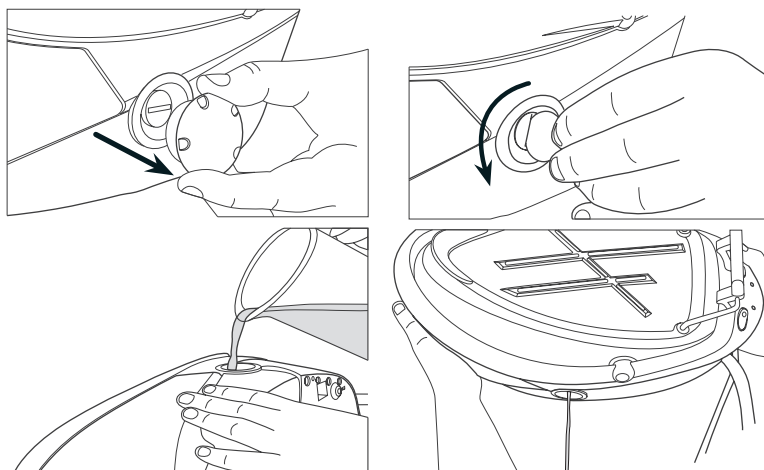
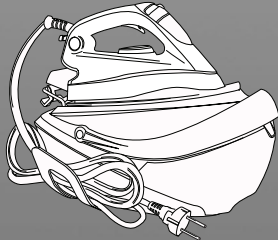


fig. 11: Opération de nettoyage



## Chapitre 4.3 - Rangement



Placez le fer sur le tapis résistant à la chaleur (3).

Éteignez l'appareil et retirez la fiche.

Videz le réservoir d'eau.

Attendez au moins 30 minutes que la semelle et le générateur refroidissent.

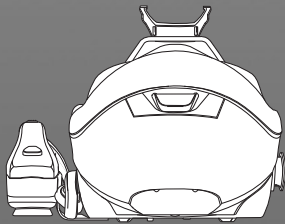
Verrouillez le fer à l'aide du système prévu à cet effet (2). Veuillez consulter le chapitre 1.2 pour obtenir de plus amples informations à ce sujet.

Placez le câble électrique et le câble à vapeur à l'endroit prévu à cet effet (6).

Pour le modèle SRD 41110, mettez la brosse à vapeur professionnelle sur son support et placez le câble en position de rangement.

Pour transporter l'appareil, utilisez la poignée (4) prévue à cet effet (en suivant les instructions requises du chapitre 1.3).

Vous pouvez alors ranger votre appareil facilement et en toute sécurité.





## Dépannage

Problème	Motif	Solution
L'appareil ne chauffe pas	Il y a un problème au niveau de la connexion	Vérifiez le cordon d'alimentation, la fiche et la prise
	L'appareil n'est pas allumé	Appuyez sur le bouton de Marche/Arrêt
	La température de la semelle est trop basse	Réglez la semelle à une température plus élevée
L'appareil ne produit pas de vapeur	L'appareil n'est pas allumé	Appuyez sur le bouton de Marche/Arrêt
	La chaudière n'a pas encore chauffé	Attendez quelques instants jusqu'à ce que le témoin de vapeur prête soit éteint
	Il est possible que le réservoir d'eau soit vide	Remplissez le réservoir
	Vous n'appuyez pas sur le déclencheur de vapeur	Appuyez sur le déclencheur de vapeur
	La température de la semelle est réglée au maximum	La vapeur se produit, mais ne semble pas très chaude, et sèche rapidement
De la vapeur s'échappe par le bouchon d'élimination du calcaire pendant le repassage	La valve d'élimination du calcaire n'est pas assez serrée	Éteignez l'appareil et laissez-le refroidir  Retirez le bouchon d'élimination du calcaire et serrez la valve comme il se doit
	La valve anticalcaire est endommagée	Contactez le Service après-vente
Le témoin de réservoir d'eau vide est allumé	Il n'y a plus d'eau dans le réservoir	Remplissez le réservoir avec de l'eau
La semelle se salit ou devient brune	Il y a eu un produit chimique ou un additif dans l'eau utilisée pour le repassage	N'utilisez jamais de produits chimiques ou d'additifs dans l'eau.  Contactez le Service après-vente si le tissu est encore sale.
	Le tissu est encore sale	Nettoyez la semelle avec une éponge non métallique
Des traces d'eau apparaissent sur le tissu	La housse de votre planche à repasser est saturée d'eau	Changez de housse ou utilisez une planche à repasser à mailles (spécialement conçue pour la vapeur)
Des dépôts de calcaire apparaissent sur la semelle	Votre chaudière n'a pas été rincée depuis un moment	Suivez les indications dans le chapitre approprié





## Informations importantes

### **Pièces détachées et consommables Hoover**

Toujours remplacer les pièces par des pièces détachées de la marque Hoover. Celles-ci sont disponibles auprès de votre revendeur Hoover. Lors de la commande de pièces de rechange, veuillez toujours préciser le numéro de votre modèle.

### **Service Hoover**

Pour toute intervention à tout moment, veuillez contacter le service après-vente Hoover le plus proche.

### **Sécurité**

Selon Hoover, l'approbation de chacun est le meilleur moyen de démontrer la sécurité du concept et de la fabrication d'un appareil. L'"Istituto del Marchio di Qualità" (IMQ), autorité italienne indépendante pour la sécurité des appareils électriques, vérifie que les normes de sécurité européennes sont respectées et maintenues pendant tout le processus de fabrication d'un appareil. Tous les appareils conformes aux normes de l'institut portent la marque de sécurité IMQ.

### **Qualité**

ISO 9001

La qualité des usines Hoover a fait l'objet d'une évaluation indépendante. Nos produits sont fabriqués selon un système de qualité conforme à la norme ISO 9001.

### **Environnement**

Cet appareil porte des marques conformément à la directive européenne 2002/96/CE relative aux déchets d'équipements électriques et électroniques (WEEE).

Si vous jetez ce produit convenablement, vous contribuerez à éviter des conséquences potentiellement nuisibles pour l'environnement et pour la santé.

Le symbole figurant sur le produit indique qu'il ne peut pas être mis au rebut avec les ordures ménagères. Vous devez le déposer dans un centre de recyclage des déchets électriques et électroniques.

La mise au rebut doit être effectuée conformément à la réglementation locale en matière de déchets.

Pour obtenir des compléments d'information sur le traitement, la récupération et le recyclage de ce produit, merci de contacter votre municipalité, le service local des ordures ménagères ou le lieu d'achat du produit.

### **Votre garantie**

Les conditions de garantie de cet appareil sont définies par notre représentant dans le pays où il est vendu et peuvent être obtenues auprès de votre revendeur. La facture d'achat ou le reçu doivent être présentés pour toutes réclamations relevant des conditions de cette garantie.

Ces conditions peuvent être modifiées sans préavis.